



# SPARE PARTS LIST

## POWER PACKS

PP 440, Valid from 20134409465, 2013-11

Go to [Discount-Equipment.com](http://Discount-Equipment.com) to order your parts



# PARTS FINDER

**Search Website  
by Part Number**



**Search Manual  
Library For Parts  
Manual & Lookup Part  
Numbers – Purchase  
or Request Quote**

**Search Manuals**

Enter your information to help us find the right parts manual for your machine.

\* Brand:

\* Model:

\* Serial:

\* Part Number:

SEARCH

**Can't Find Part or  
Manual? Request Help  
by Manufacturer,  
Model & Description**

**Parts Order Form**

Please fill in the following information to help us find the right part for your machine.

Manufacturer:	<input type="text"/>
Model:	<input type="text"/>
Description:	<input type="text"/>
Part Number:	<input type="text"/>
Quantity:	<input type="text"/>
Notes:	<input type="text"/>

Submit

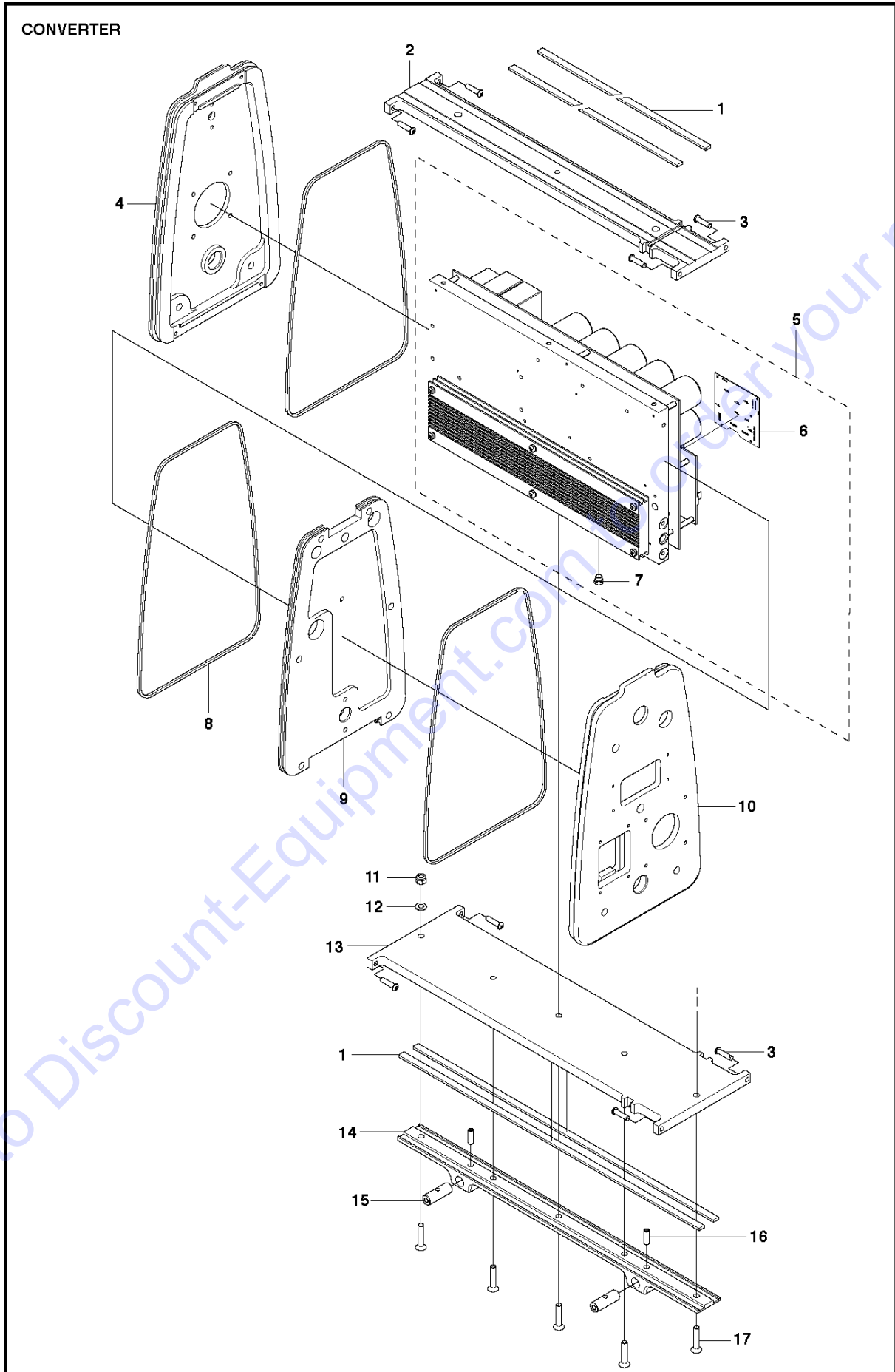
Discount-Equipment.com is your online resource for quality parts & equipment.

Florida: **561-964-4949** Outside Florida TOLL FREE: **877-690-3101**

**Need parts?**

Click on this link: <http://www.discount-equipment.com/category/5443-parts/> and choose one of the options to help get the right parts and equipment you are looking for. Please have the machine model and serial number available in order to help us get you the correct parts. If you don't find the part on the website or on one of the online manuals, please fill out the request form and one of our experienced staff members will get back to you with a quote for the right part that your machine needs.

We sell worldwide for the brands: Genie, Terex, JLG, MultiQuip, Mikasa, Essick, Whiteman, Mayco, Toro Stone, Diamond Products, Generac Magnum, Airman, Haulotte, Barreto, Power Blanket, Nifty Lift, Atlas Copco, Chicago Pneumatic, Allmand, Miller Curber, Skyjack, Lull, Skytrak, Tsurumi, Husquvarna Target, Stow, Wacker, Sakai, Mi-T-M, Sullair, Basic, Dynapac, MBW, Weber, Bartell, Bennar Newman, Haulotte, Ditch Runner, Menegotti, Morrison, Contec, Buddy, Crown, Edco, Wyco, Bomag, Laymor, EZ Trench, Bil-Jax, F.S. Curtis, Gehl Pavers, Heli, Honda, ICS/PowerGrit, IHI, Partner, Imer, Clipper, MMD, Koshin, Rice, CH&E, General Equipment, Amida, Coleman, NAC, Gradall, Square Shooter, Kent, Stanley, Tamco, Toku, Hatz, Kohler, Robin, Wisconsin, Northrock, Oztec, Toker TK, Rol-Air, APT, Wylie, Ingersoll Rand / Doosan, Innovatech, Con X, Ammann, Mecalac, Makinex, Smith Surface Prep, Small Line, Wanco, Yanmar

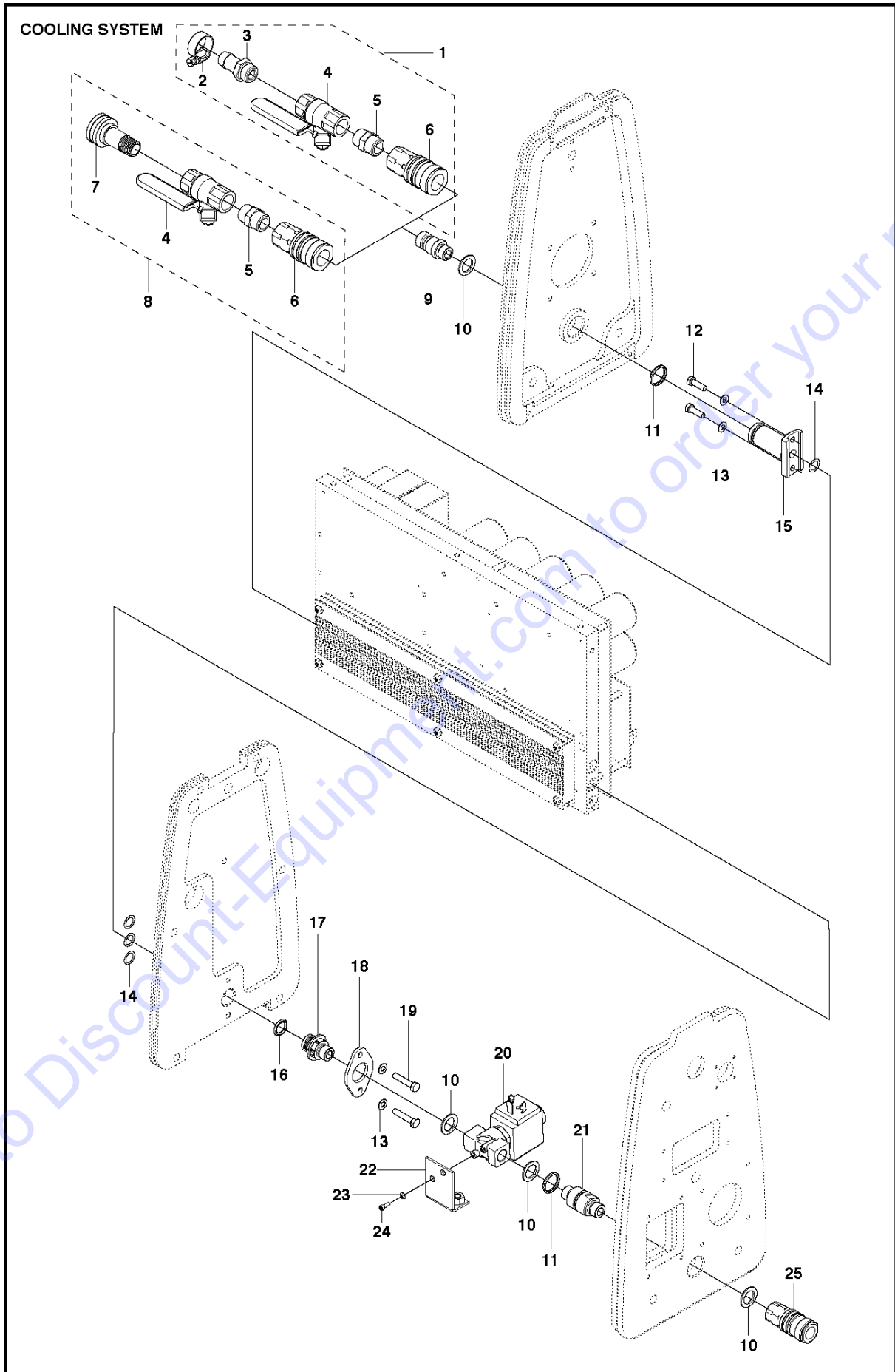


## CONVERTER

PP 440, Valid from 20134409465, 2013-11

Ref	Part No	Description	Remark	QTY KIT
1	505 52 85-02	SEALING STRIP		4
2	531 12 34-04	UPPER SUPPORT	400-480V	1
2	522 61 53-01	SUPPORT PLATE	200-280V	1
3	575 61 74-03	SCREW		8
4	531 12 34-00	END COVER, INVARD		1
5	581 48 70-01	PRINTED CIRCUIT ASSY	400-480V incl. 6 - 7	1
5	581 48 70-03	PRINTED CIRCUIT ASSY	200-280V incl. 6 - 7	1
6	587 02 06-01	PRINTED CIRCUIT ASSY	400-480V	1
6	587 02 07-01	PRINTED CIRCUIT ASSY	200-280V	1
7	531 11 93-37	PLUG		1
8	505 26 61-01	O-RING		3
9	531 12 34-02	PARTITION		1
10	584 83 36-01	GABLE	5-pin	1
10	584 83 36-02	GABLE	4-pin	1
11	732 25 16-01	HEXAGON LOCKING NUT		1
12	734 11 52-01	WASHER		1
13	531 12 34-03	BOX BASE	400-480V	1
13	522 61 52-01	BASEPLATE	200-280V	1
14	531 12 34-06	COVER	400-480V	1
14	522 61 60-01	GABLE	200-280V	1
15	531 12 34-17	LOCKING SLEEVE		2
16	728 73 70-05	STOP SCREW		2
17	725 63 74-51	SCREW		5

Go to Discount-Equipment.com to order your parts



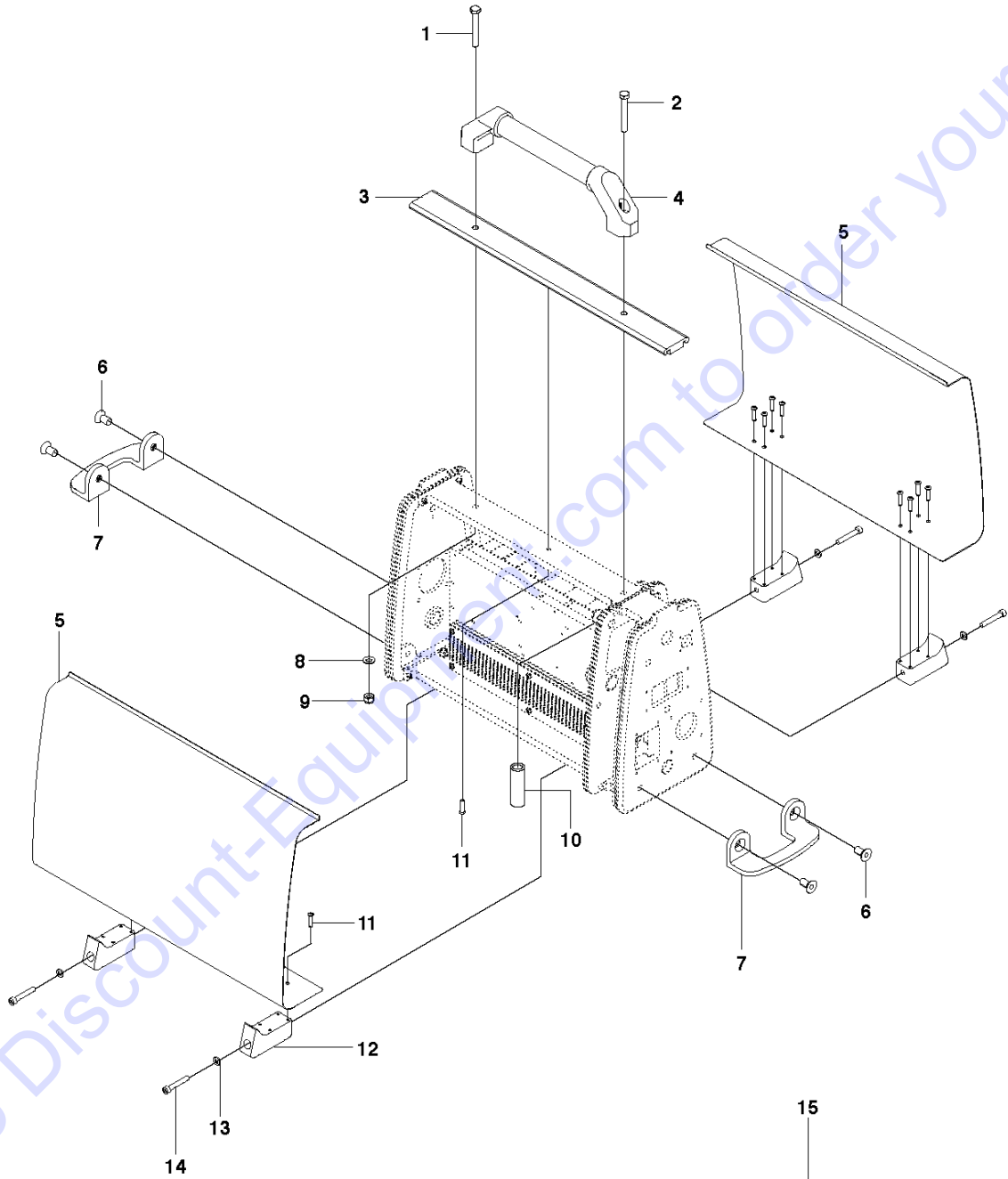
## COOLING SYSTEM

PP 440, Valid from 20134409465, 2013-11

Ref	Part No	Description	Remark	QTY KIT
1	505 42 42-01	VALVE ASSY	Incl. 2 - 6	1
2	531 11 90-14	HOSE CLAMP		1
3	531 11 80-05	NIPPLE		1
4	531 11 80-18	BALL		2
5	505 40 74-01	NIPPLE		2
6	531 11 80-03	HYDRAULIC COUPLING FEMA		2
7	505 56 87-01	CONNECTION		1
8	506 74 83-01	VALVE ASSY	Incl. 4 - 7	1
9	531 11 83-54	NIPPLE		1
10	740 38 27-01	SEALING WASHER		4
11	740 43 13-00	O-RING		2
12	725 53 29-01	SCREW IHSCM		2
13	734 11 46-01	WASHER		4
14	740 42 08-00	O-RING		4
15	531 12 34-10	WATER INLET		1
16	740 43 09-00	O-RING		1
17	531 12 34-11	DISTANCE		1
18	531 12 34-12	CLAMPING WASHER		1
19	725 53 33-01	SCREW IHSCM		2
20	505 52 73-01	VALVE		1
21	531 12 34-13	OUTLETT FROM WATER VALVE		1
22	574 18 48-01	ANGLE BRACKET		1
23	734 11 35-71	WASHER		2
24	725 52 85-01	SCREW IHSCM		2
25	531 11 82-19	QUICK COUPLING		1

Go to Discount-Equipment.com to order your parts

COVER



 **Husqvarna**  
PP 440 HF

## COVER

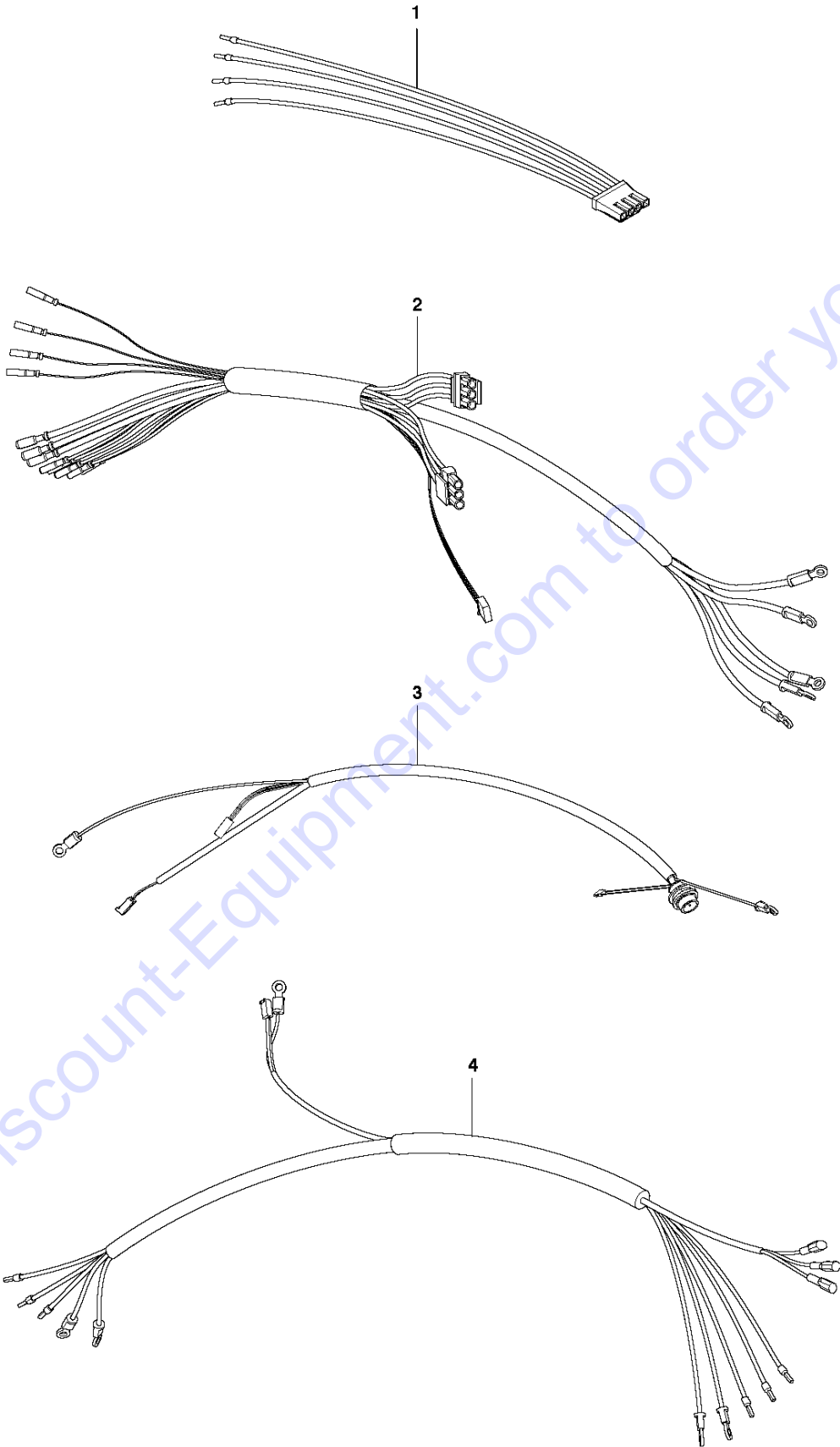
PP 440, Valid from 20134409465, 2013-11

Ref	Part No	Description	Remark	QTY KIT
1	725 54 63-01	SCREW IHSCM	1 pcs on 200-280V	2
2	725 54 69-51	SCREW IHSCM	Only on 200-280V	1
3	531 12 34-05	COVER	400-480V	1
3	522 61 59-01	GABLE	200-280V	1
4	505 52 72-01	HANDLE		1
5	531 12 34-15	BOX SIDE	400-480V	2
5	522 61 61-01	SIDE PANEL	200-280V	2
6	725 64 91-01	SCREW IHCSFM		4
7	531 12 33-61	PROTECTION BAR		2
8	734 11 63-01	WASHER		1
9	732 25 18-01	HEXAGON LOCKING NUT		1
10	525 58 22-01	DISTANCE	Only on 200-280V	1
11	575 61 74-03	SCREW		17
12	531 12 34-16	FOOT		4
13	734 11 52-01	WASHER		4
14	725 53 78-01	SCREW IHSCM		4
15	504 02 99-11	LABEL		2

Go to [Discount-Equipment.com](http://Discount-Equipment.com) to order your parts

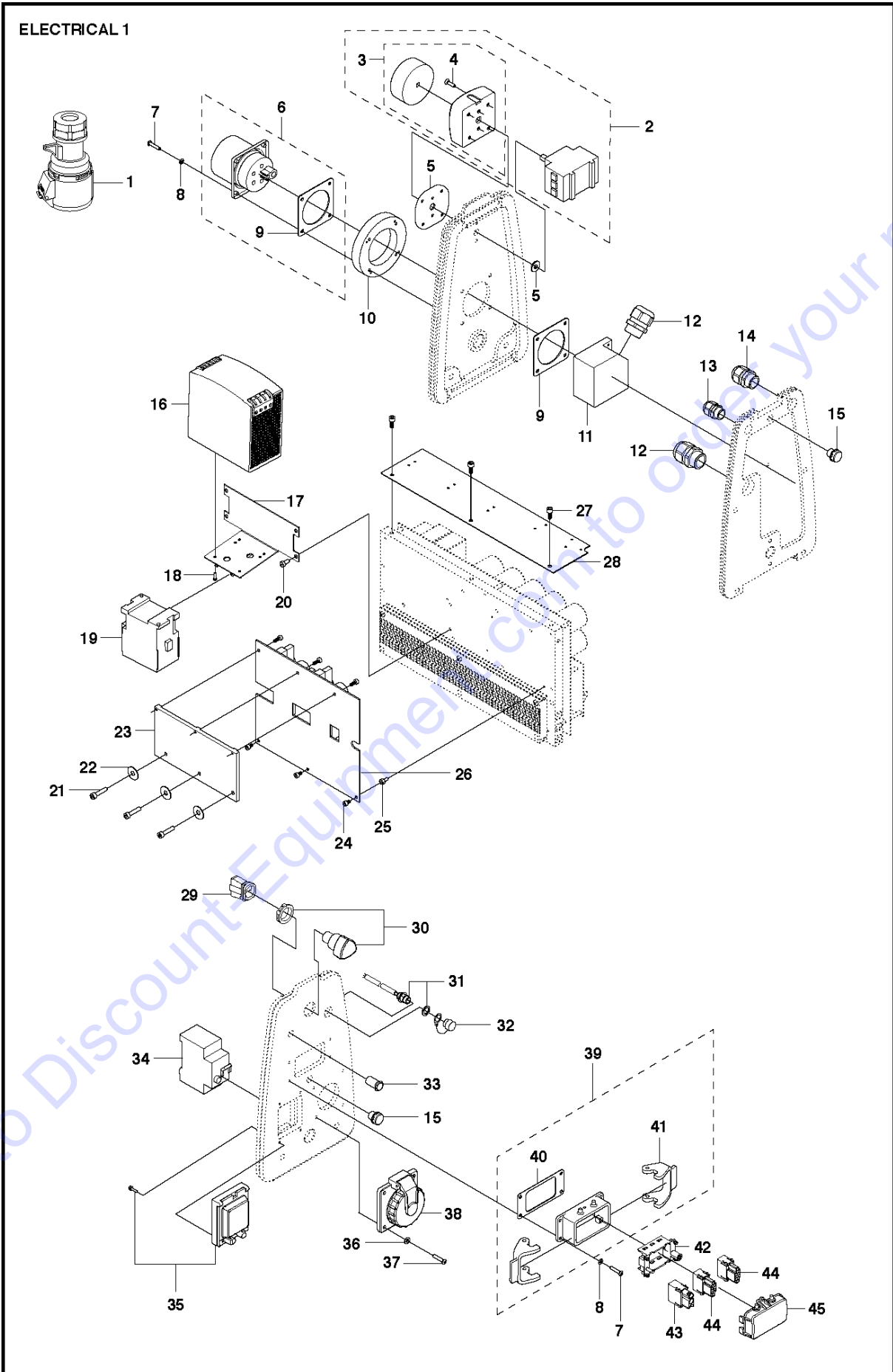


ELECTRICAL 2



Ref	Part No	Description	Remark	QTY KIT
1	505 25 71-01	CABLE KIT		1
2	579 16 43-01	WIRING HARNESS		1
3	505 52 77-02	CABLE KIT		1
4	505 52 78-01	CABLE KIT		1

Go to [Discount-Equipment.com](http://Discount-Equipment.com) to order your parts

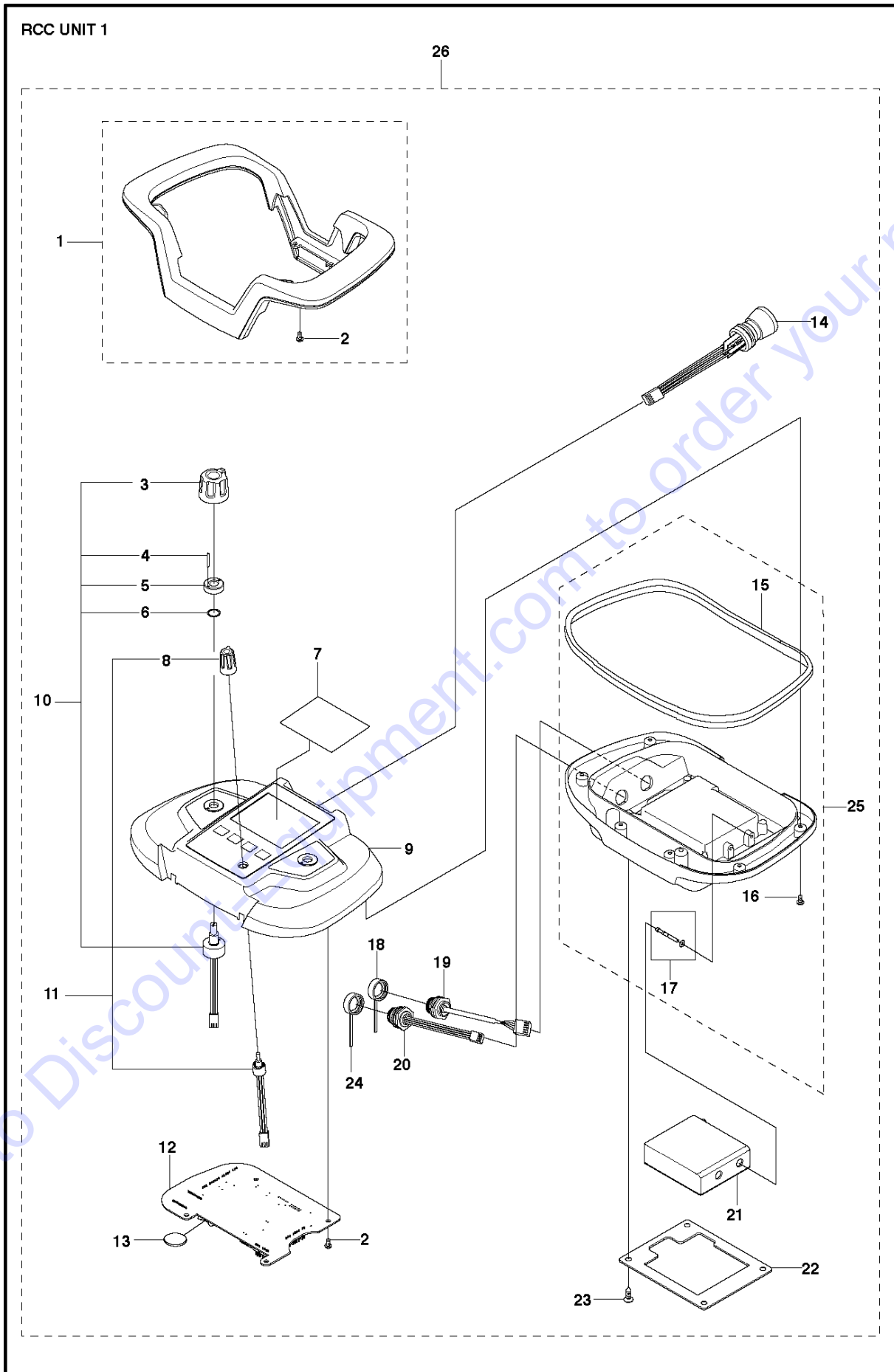


## ELECTRICAL

PP 440, Valid from 20134409465, 2013-11

Ref	Part No	Description	Remark	QTY KIT
1	531 11 71-31	SOCKET	400-480V	1
1	531 11 71-94	SOCKET COUPLER 63A 220V	200-280V	1
2	505 52 64-01	SWITCH	Incl. 3-4	1
3	585 56 95-01	HANDLE KIT	Incl. 4	1
4	585 57 45-01	SCREW		6
5	505 52 62-01	GASKET KIT		1
6	531 11 71-52	HOLDER	Incl. 9	1
7	575 61 74-02	SCREW		8
8	734 11 35-71	WASHER		8
9	578 31 05-01	SEALING		2
10	523 04 59-01	ADAPTER	Only 200-280V	1
11	531 12 34-09	CONDUIT ENTRY		1
12	505 52 69-03	CABLE GROMMET		2
13	505 52 69-01	CABLE GROMMET		1
14	505 52 69-02	CABLE GROMMET		1
15	505 52 84-01	VENTILATING VALVE		2
16	505 52 74-01	TRANSFORMER	400-480V	1
16	523 04 61-01	TRANSFORMER	200-280V	1
17	581 48 65-02	ANGLE BRACKET		1
18	531 11 95-86	SCREW		4
19	731117235	TBD	400-480V	1
19	531 11 70-68	CONTACTOR	200-280V	1
20	531 11 93-89	SCREW		4
21	725 53 31-01	SCREW IHSCM		3
22	531 11 92-60	WASHER		3
23	531 12 33-62	MOTHERBOARD HOLDER		1
24	505 52 83-01	SCREW		3
25	505 52 82-01	DISTANCE		3
26	579 65 78-01	PRINTED CIRCUIT ASSY		1
27	531 11 92-08	SCREW		4
28	506 60 03-01	ATTACHMENT PLATE	400-480V	1
28	522 52 50-01	ATTACHMENT PLATE	200-280V	1
29	531 11 72-05	CIRCUIT BREAKER		1
30	581 64 53-01	STOP SWITCH		1
31	505 52 77-02	CABLE KIT		1
32	585 47 86-01	RUBBER PLUG		1
33	575 64 71-01	LAMP		1
34	531 11 72-08	PERSONAL SAFETY GUARD	Only 5-pin	1
35	505 52 67-01	PROTECTIVE SHUTTER	Only 5-pin	1
36	734 11 46-01	WASHER	Only 5-pin	4
37	575 61 74-03	SCREW	Only 5-pin	4
38	505 52 68-01	SOCKET	Only 5-pin	1
39	505 52 92-01	CONTACT HOUSING	Incl. 40 - 41	1
40	575 39 41-01	GASKET		1
41	505 24 70-01	SHACKLE		2
42	505 52 89-01	FRAME		1
43	505 52 88-01	CONSOLE		1
44	505 52 87-01	CONSOLE		2
45	575 33 54-01	COVER		1

Go to [Disassembly.com](http://Disassembly.com) to order your parts

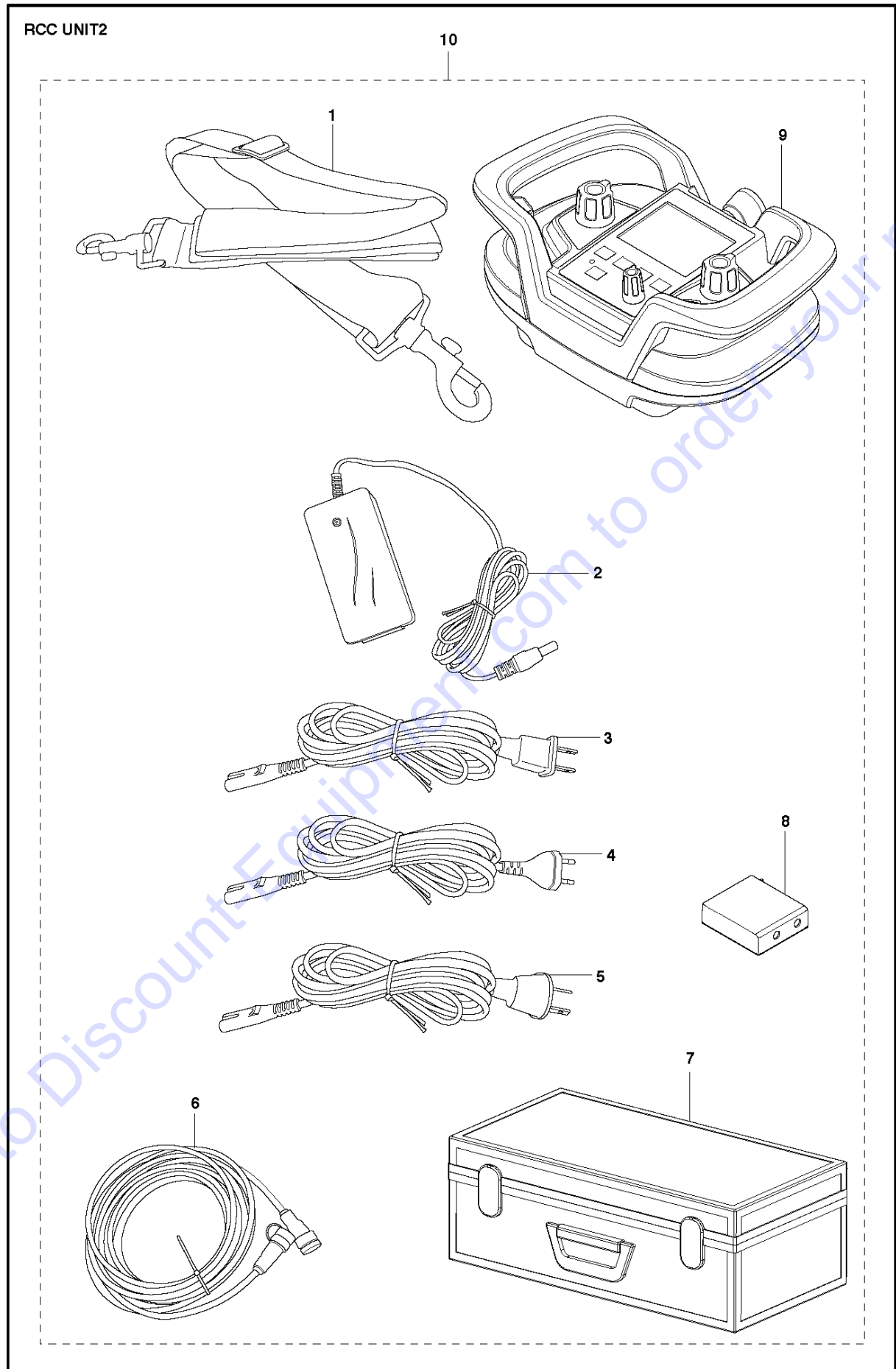


REMOTE CONTROL

PP 440, Valid from 20134409465, 2013-11

Ref	Part No	Description	Remark	QTY KIT
1	576 25 34-01	HANDLE ASSY		1
2	578 77 61-01	SCREW ITPANT		10
3	576 25 94-01	TURNING KNOB ASSY		2
4	720 11 90-00	PARALLEL PIN		2
5	576 26 14-01	NUT		2
6	576 26 16-01	O-RING		2
7	585 30 68-01	PROTECTION		1
8	577 73 55-01	KNOB		1
9	585 96 39-01	DISPLAY	Also incl. pos 15	1
10	577 70 95-01	POTENTIOMETER		2
11	577 70 94-01	POTENTIOMETER		1
12	581 00 08-02	PRINTED CIRCUIT ASSY		1
13	577 76 37-01	BATTERY		1
14	576 81 51-01	SWITCH		1
15	576 88 80-02	SEALING STRIP		1
16	578 77 61-02	SCREW ITPANT		8
17	577 71 10-01	SPRING PIN		2
18	575 24 22-01	LID		1
19	575 22 93-01	CONTACT	USB	1
20	576 87 78-02	CONTACT	CAN	1
21	510 10 91-01	BATTERY		1
22	510 10 85-01	COVER PLATE		1
23	523 00 52-01	SCREW CRCSFT		4
24	585 47 86-01	RUBBER PLUG		1
25	586 18 04-01	COVER		1
26	578284802	REMOTE CONTROL		1

Go to Discount-Equipment.com to order your parts



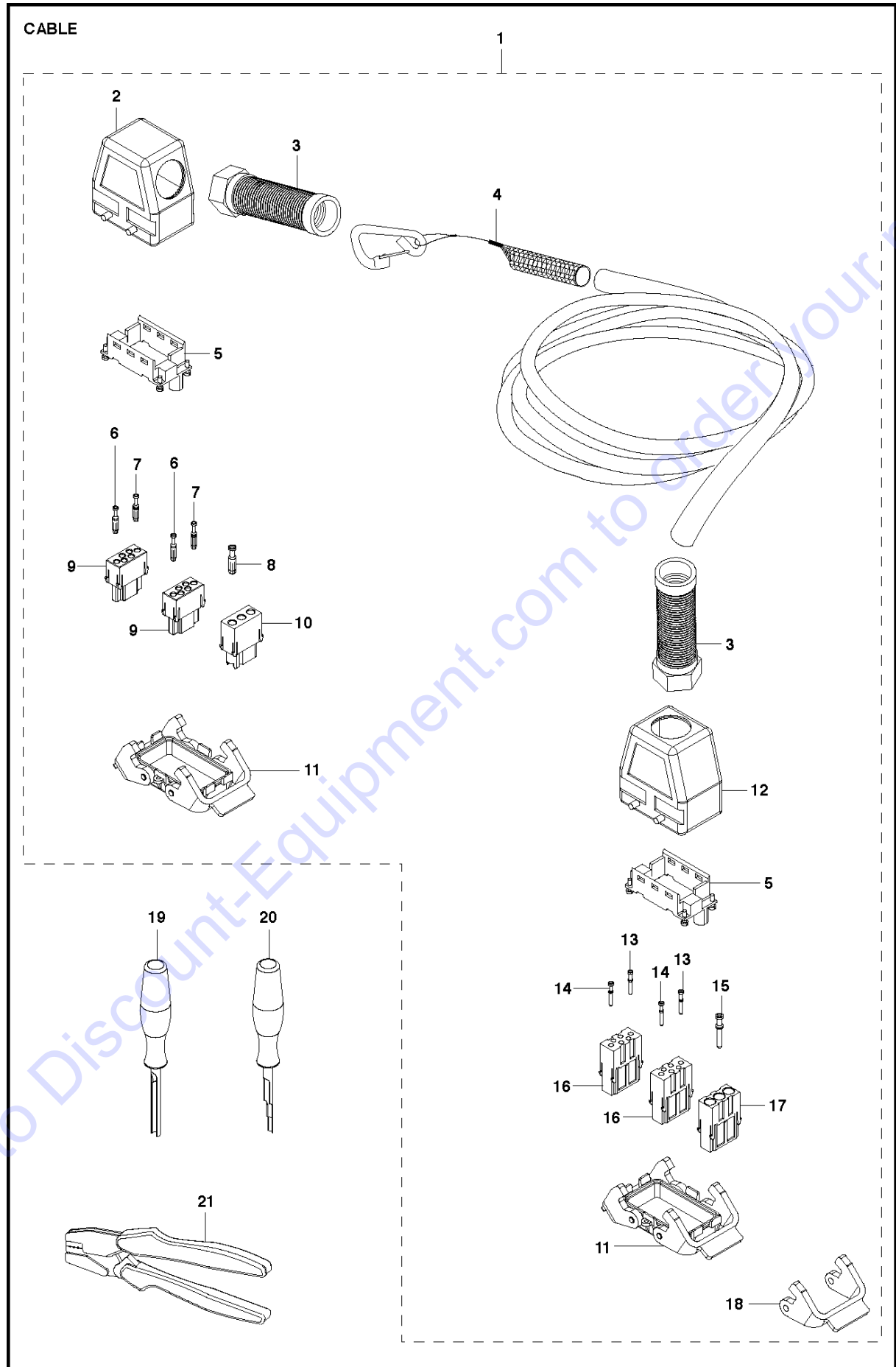
REMOTE CONTROL ACCESSORIES

PP 440, Valid from 20134409465, 2013-11

Ref	Part No	Description	Remark	QTY KIT
1	506 29 76-61	SHOULDER STRAP		1
2	510 28 03-01	BATTERY		1
3	510 28 07-02	CABLE	US	1
4	510 28 07-01	CABLE	Eu	1
5	510 28 07-04	CABLE	Australia	1
6	577 05 99-02	CABLE ASSY		1
7	577 75 86-01	BOX		1
8	510 10 91-01	BATTERY		1
9	578284802	REMOTE CONTROL		1
10	586 11 50-01	CONTROL UNIT	Incl. 1 - 10	1

Go to [Discount-Equipment.com](http://Discount-Equipment.com) to order your parts





## WIRING HARNESS

PP 440, Valid from 20134409465, 2013-11

Ref	Part No	Description	Remark	QTY KIT
1	579 16 44-01	CABLE	Incl. 2-18	1
2	522 93 14-01	COVER		1
3	575 95 08-01	CABLE GROMMET		2
4	580 76 33-01	CABLE HOLDER		1
5	522 93 15-01	FRAME		1
6	522 93 18-01	CONTACT PIN	Female 0,75mm <sup>2</sup>	4
7	531 11 73-62	CONTACT PIN	Female 2,5mm <sup>2</sup>	8
8	522 93 17-01	CONTACT PIN	Female 4mm <sup>2</sup>	3
9	505 52 87-01	CONSOLE		2
10	505 52 88-01	CONSOLE		1
11	505 32 70-01	COVER		1
12	522 93 20-01	COVER		1
13	531 11 73-20	CONTACT PIN	Male 2,5mm <sup>2</sup>	8
14	522 93 08-01	CONTACT PIN	Male 0,75mm <sup>2</sup>	4
15	522 93 22-01	CONTACT PIN	Male 4mm <sup>2</sup>	3
16	522 93 07-01	CONSOLE		2
17	522 93 21-01	CONSOLE		1
18	505 24 70-01	SHACKLE		4
19	522 93 43-01	TOOL	0,75-2,5mm <sup>2</sup>	1
20	522 93 44-01	TOOL	4mm <sup>2</sup>	1
21	522 93 41-01	TOOL		1

Go to Discount-Equipment.com to order your parts

# PARTS FINDER

**Search Website  
by Part Number**



**Search Manual  
Library For Parts  
Manual & Lookup Part  
Numbers – Purchase  
or Request Quote**

**Search Manuals**

Enter your information to help us find the right parts manual for your machine.

\* Brand:

\* Model:

\* Serial:

\* Part Number:

SEARCH

**Can't Find Part or  
Manual? Request Help  
by Manufacturer,  
Model & Description**

**Parts Order Form**

Please fill in the following information to help us find the right part for your machine.

Manufacturer:	<input type="text"/>
Model:	<input type="text"/>
Description:	<input type="text"/>
Part Number:	<input type="text"/>
Quantity:	<input type="text"/>
Notes:	<input type="text"/>

Submit

Discount-Equipment.com is your online resource for quality parts & equipment.

Florida: **561-964-4949** Outside Florida TOLL FREE: **877-690-3101**

**Need parts?**

Click on this link: <http://www.discount-equipment.com/category/5443-parts/> and choose one of the options to help get the right parts and equipment you are looking for. Please have the machine model and serial number available in order to help us get you the correct parts. If you don't find the part on the website or on one of the online manuals, please fill out the request form and one of our experienced staff members will get back to you with a quote for the right part that your machine needs.

We sell worldwide for the brands: Genie, Terex, JLG, MultiQuip, Mikasa, Essick, Whiteman, Mayco, Toro Stone, Diamond Products, Generac Magnum, Airman, Haulotte, Barreto, Power Blanket, Nifty Lift, Atlas Copco, Chicago Pneumatic, Allmand, Miller Curber, Skyjack, Lull, Skytrak, Tsurumi, Husquvarna Target, Stow, Wacker, Sakai, Mi-T-M, Sullair, Basic, Dynapac, MBW, Weber, Bartell, Bennar Newman, Haulotte, Ditch Runner, Menegotti, Morrison, Contec, Buddy, Crown, Edco, Wyco, Bomag, Laymor, EZ Trench, Bil-Jax, F.S. Curtis, Gehl Pavers, Heli, Honda, ICS/PowerGrit, IHI, Partner, Imer, Clipper, MMD, Koshin, Rice, CH&E, General Equipment, Amida, Coleman, NAC, Gradall, Square Shooter, Kent, Stanley, Tamco, Toku, Hatz, Kohler, Robin, Wisconsin, Northrock, Oztec, Toker TK, Rol-Air, APT, Wylie, Ingersoll Rand / Doosan, Innovatech, Con X, Ammann, Mecalac, Makinex, Smith Surface Prep, Small Line, Wanco, Yanmar