



# SPARE PARTS LIST

WALL SAWS

WSC40, 967252301, 2019-06

Go to [Discount-Equipment.com](http://Discount-Equipment.com) to order your parts



# PARTS FINDER

**Search Website  
by Part Number**



**Search Manual  
Library For Parts  
Manual & Lookup Part  
Numbers – Purchase  
or Request Quote**

**Search Manuals**

Enter your information to search for a manual or to purchase a manual or parts.

\* Brand:

\* Model:

\* Serial:

\* Part Number:

SEARCH

**Can't Find Part or  
Manual? Request Help  
by Manufacturer,  
Model & Description**

**Parts Order Form**

Please fill in the following information to request help finding a part or manual.

Manufacturer:

Model:

Description:

Quantity:

Part Number:

Part Name:

Part Description:

Part Category:

Part Location:

Part Status:

Part Condition:

Part Material:

Part Color:

Part Weight:

Part Dimensions:

Part Notes:

Submit

Discount-Equipment.com is your online resource for quality parts & equipment.

Florida: **561-964-4949** Outside Florida TOLL FREE: **877-690-3101**

**Need parts?**

Click on this link: <http://www.discount-equipment.com/category/5443-parts/> and choose one of the options to help get the right parts and equipment you are looking for. Please have the machine model and serial number available in order to help us get you the correct parts. If you don't find the part on the website or on one of the online manuals, please fill out the request form and one of our experienced staff members will get back to you with a quote for the right part that your machine needs.

We sell worldwide for the brands: Genie, Terex, JLG, MultiQuip, Mikasa, Essick, Whiteman, Mayco, Toro Stone, Diamond Products, Generac Magnum, Airman, Haulotte, Barreto, Power Blanket, Nifty Lift, Atlas Copco, Chicago Pneumatic, Allmand, Miller Curber, Skyjack, Lull, Skytrak, Tsurumi, Husquvarna Target, Stow, Wacker, Sakai, Mi-T-M, Sullair, Basic, Dynapac, MBW, Weber, Bartell, Bennar Newman, Haulotte, Ditch Runner, Menegotti, Morrison, Contec, Buddy, Crown, Edco, Wyco, Bomag, Laymor, EZ Trench, Bil-Jax, F.S. Curtis, Gehl Pavers, Heli, Honda, ICS/PowerGrit, IHI, Partner, Imer, Clipper, MMD, Koshin, Rice, CH&E, General Equipment, Amida, Coleman, NAC, Gradall, Square Shooter, Kent, Stanley, Tamco, Toku, Hatz, Kohler, Robin, Wisconsin, Northrock, Oztec, Toker TK, Rol-Air, APT, Wylie, Ingersoll Rand / Doosan, Innovatech, Con X, Ammann, Mecalac, Makinex, Smith Surface Prep, Small Line, Wanco, Yanmar



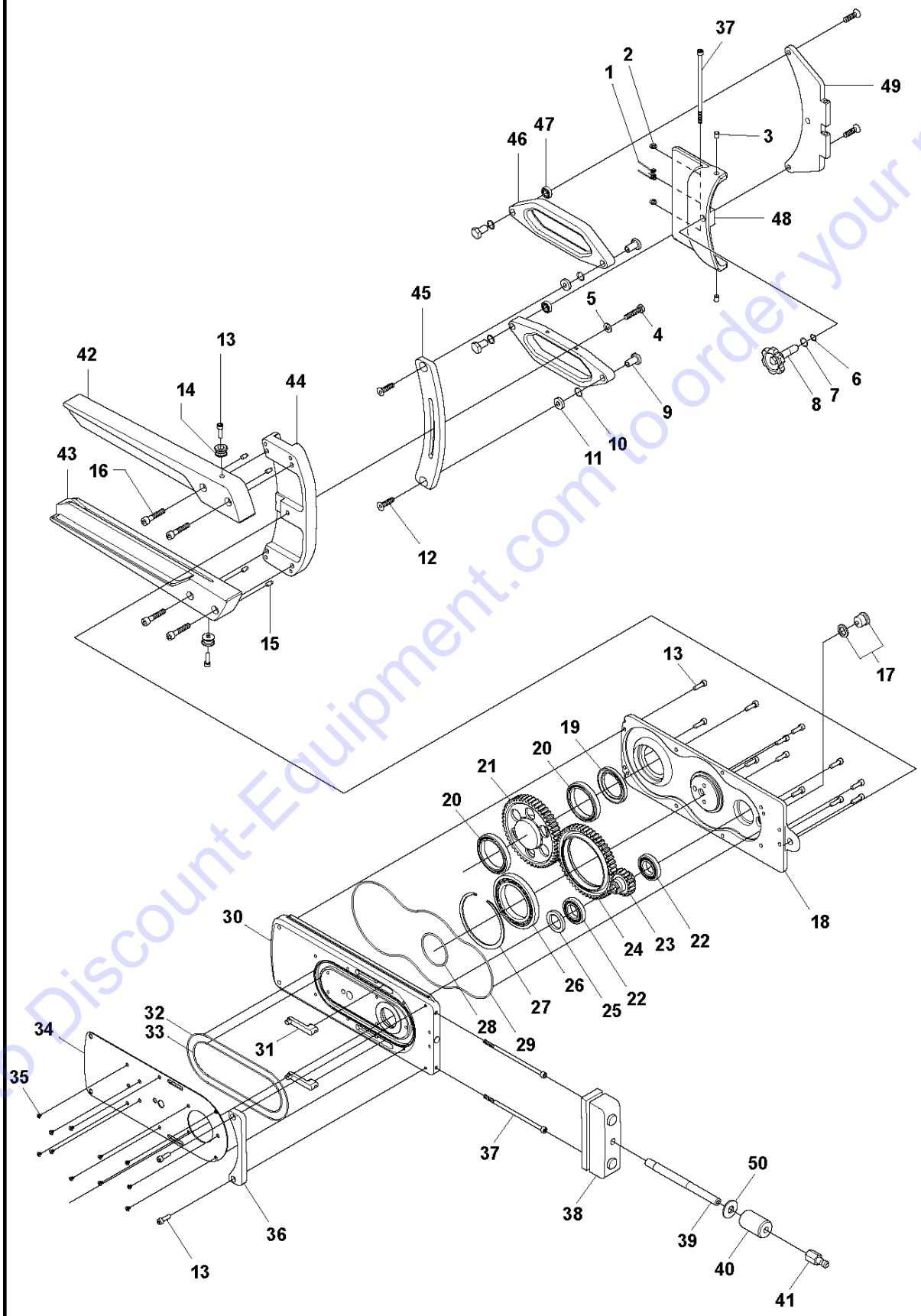
## CUTTING ARM &amp; BLADE GUARD

WSC40, 967252301, 2019-06

Ref	Part No	Description	Remark	QTY	KIT
1	586 50 16-01	LOCKING SCREW		1	22
2	582 29 43-01	COMPRESSION SPRING		1	22
3	580 74 62-01	SNAP RING		1	22
4	725 64 49-51	SCREW IHCSFM		3	
5	584 47 61-01	CLAMP		1	
6	584 27 63-01	DRIVE SPROCKET		1	
7	584 27 53-01	CLAMP		1	
8	589 00 00-01	GUIDE BAR		1	
9	582 03 94-01	GASKET		1	
10	734 11 63-01	WASHER		1	
11	531 11 92-20	SCREW		1	
12	588 15 04-03	DIAMOND CHAIN		1	
13	582 29 49-01	CHAIN CATCHER		2	
14	725 63 72-51	SCREW IHCSFM		4	13, 20
15	581 84 94-01	GUIDE BUSHING		4	13, 20
16	576 64 73-01	STRAP		4	13, 20
17	582 23 33-01	CHAIN CATCHER		2	13
18	732 25 16-01	HEXAGON LOCKING NUT		4	13, 20
19	582 34 17-01	GUARD		1	
20	582 34 16-01	GUARD		1	
21	592 76 96-01	PROFILE		2	20
22	582 90 46-01	TRANSMISSION COVER		1	
23	504 02 99-14	LABEL		1	22
24	584 27 57-01	INLET PIPE		1	
25	584 27 58-01	HANDLE		1	
26	531 11 82-18	QUICK COUPLING		1	
27	531 11 94-46	WASHER		1	

Go to Discount-Equipment.com to order your parts

**B** WSC40  
HOUSING



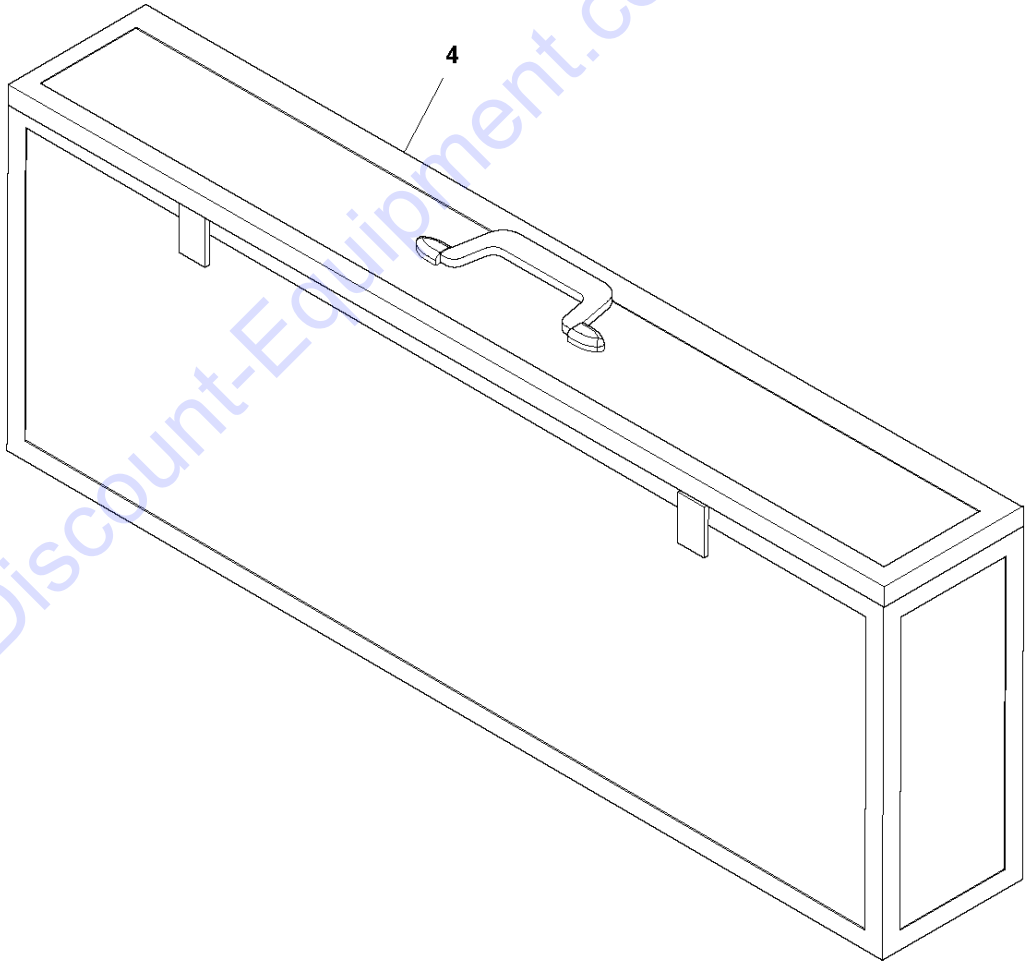
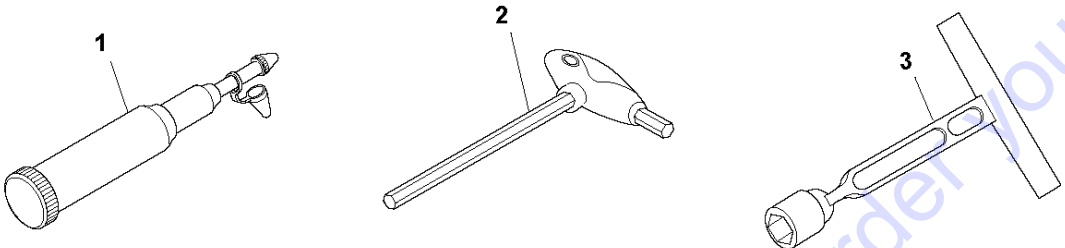
## HOUSING

WSC40, 967252301, 2019-06

Ref	Part No	Description	Remark	QTY KIT
1	582 26 22-01	SPIRAL SPRING		1
2	734 11 52-01	WASHER		2
3	582 26 21-01	SPRING RETAINER		2
4	531 11 92-20	SCREW		1
5	734 11 63-01	WASHER		1
6	580 74 62-01	SNAP RING		1
7	740 42 06-00	O-RING		1
8	586 50 16-01	LOCKING SCREW		1
9	584 27 62-01	GUIDE BUSHING		4
10	740 42 11-00	O-RING		8
11	584 27 61-01	SEALING WASHER		4
12	531 14 06-95	SCREW		4
13	725 53 70-01	SCREW IHSCM		16
14	531 12 23-43	STRAP		2
15	504 90 83-26	PIN		4
16	725 54 59-01	SCREW IHSCM		4
17	531 11 81-13	PLUG		1
18	584 27 49-02	GEARBOX		1
19	584 28 58-01	RADIAL SEAL		1
20	584 28 60-01	BALL BEARING		2
21	584 27 50-01	GEAR WHEEL		1
22	531 11 94-41	BEARING		2
23	584 27 51-01	GEAR WHEEL		1
24	522 52 62-01	DRIVER		1
25	584 28 59-01	RADIAL SEAL		1
26	574 45 20-01	BEARING		1
27	574 45 32-01	SNAP RING		1
28	574 45 30-01	O-RING		1
29	584 28 55-01	O-RING		1
30	584 27 49-01	GEARBOX		1
31	584 27 54-01	CHAIN TENSIONER		2
32	584 28 56-01	O-RING		1
33	584 28 57-01	O-RING		1
34	584 27 52-01	TRANSMISSION COVER		1
35	725 62 85-01	SCREW IHCSFM		11
36	584 27 60-01	EDGER PROTECTION		1
37	584 28 54-01	SCREW IHSCM		3
38	582 90 49-01	CROSSBAR		1
39	584 27 57-01	INLET PIPE		1
40	584 27 58-01	HANDLE		1
41	531 11 82-18	QUICK COUPLING		1
42	584 27 72-01	STRUT		1
43	584 27 72-02	STRUT		1
44	584 27 73-01	HOLDER		1
45	584 27 55-01	ANGLE LIMITER		1
46	584 27 74-01	PARALLEL ROD		2
47	584 27 61-01	SEALING WASHER		4
48	586 50 08-01	CLAMP		1
49	584 27 75-01	ATTACHMENT PLATE		1
50	531 11 94-46	WASHER		1

Go to [DisassemblyEquipment.com](http://DisassemblyEquipment.com) to order your parts

**C** WSC40  
ACCESSORIES



Go to Discount-Equipment.com to order your parts

## ACCESSORIES

WSC40, 967252301, 2019-06

Ref	Part No	Description	Remark	QTY KIT
1	531 11 91-08	GREASE GUN		1
2	582 26 24-01	TOOL		1
3	582 26 23-01	TOOL		1
4	587 14 45-01	CARRYING CASE		1

Go to [Discount-Equipment.com](http://Discount-Equipment.com) to order your parts



# PARTS FINDER

**Search Website  
by Part Number**



**Search Manual  
Library For Parts  
Manual & Lookup Part  
Numbers – Purchase  
or Request Quote**

**Search Manuals**

Enter your information to help us find the right parts manual for your machine.

\* Brand:

\* Model:

\* Serial:

\* Part Number:

SEARCH

**Can't Find Part or  
Manual? Request Help  
by Manufacturer,  
Model & Description**

**Parts Order Form**

Please fill in the following information to help us find the right part for your machine.

Manufacturer:	<input type="text"/>
Model:	<input type="text"/>
Description:	<input type="text"/>
Part Number:	<input type="text"/>
Quantity:	<input type="text"/>
Notes:	<input type="text"/>

Discount-Equipment.com is your online resource for quality parts & equipment.

Florida: **561-964-4949** Outside Florida TOLL FREE: **877-690-3101**

**Need parts?**

Click on this link: <http://www.discount-equipment.com/category/5443-parts/> and choose one of the options to help get the right parts and equipment you are looking for. Please have the machine model and serial number available in order to help us get you the correct parts. If you don't find the part on the website or on one of the online manuals, please fill out the request form and one of our experienced staff members will get back to you with a quote for the right part that your machine needs.

We sell worldwide for the brands: Genie, Terex, JLG, MultiQuip, Mikasa, Essick, Whiteman, Mayco, Toro Stone, Diamond Products, Generac Magnum, Airman, Haulotte, Barreto, Power Blanket, Nifty Lift, Atlas Copco, Chicago Pneumatic, Allmand, Miller Curber, Skyjack, Lull, Skytrak, Tsurumi, Husquvarna Target, Stow, Wacker, Sakai, Mi-T-M, Sullair, Basic, Dynapac, MBW, Weber, Bartell, Bennar Newman, Haulotte, Ditch Runner, Menegotti, Morrison, Contec, Buddy, Crown, Edco, Wyco, Bomag, Laymor, EZ Trench, Bil-Jax, F.S. Curtis, Gehl Pavers, Heli, Honda, ICS/PowerGrit, IHI, Partner, Imer, Clipper, MMD, Koshin, Rice, CH&E, General Equipment, Amida, Coleman, NAC, Gradall, Square Shooter, Kent, Stanley, Tamco, Toku, Hatz, Kohler, Robin, Wisconsin, Northrock, Oztec, Toker TK, Rol-Air, APT, Wylie, Ingersoll Rand / Doosan, Innovatech, Con X, Ammann, Mecalac, Makinex, Smith Surface Prep, Small Line, Wanco, Yanmar