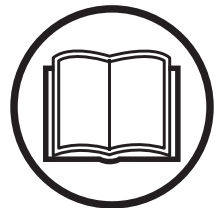




**Operator's manual Manuel d'utilisation
Manual de instrucciones**

WSC 40



US CA UE

Please read the operator's manual carefully and make sure you understand the instructions before using the machine.

Lire attentivement et bien assimiler le manuel d'utilisation avant d'utiliser la machine.

Lea detenidamente el manual de instrucciones y asegúrese de entender su contenido antes de utilizar la máquina.

TO PURCHASE THIS PRODUCT PLEASE CONTACT US



**Equipment Financing and
Extended Warranties Available**



**Discount-Equipment.com is your online resource for
commercial and industrial quality parts and equipment sales.**

561-964-4949

visit us on line @ www.discount-equipment.com

Select an option below to find your Equipment

Search by Manufacturer

Search by Product Type

Request a Quote

We sell worldwide for the brands: Genie, Terex, JLG, MultiQuip, Mikasa, Essick, Whiteman, Mayco, Toro Stone, Diamond Products, Generac Magnum, Airman, Haulotte, Barreto, Power Blanket, Nifty Lift, Atlas Copco, Chicago Pneumatic, Allmand, Miller Curber, Skyjack, Lull, Skytrak, Tsurumi, Husquvarna Target, Stow, Wacker, Sakai, Mi-T-M, Sullair, Basic, Dynapac, MBW, Weber, Bartell, Bennar Newman, Haulotte, Ditch Runner, Menegotti, Morrison, Contec, Buddy, Crown, Edco, Wyco, Bomag, Laymor, EZ Trench, Bil-Jax, F.S. Curtis, Gehl Pavers, Heli, Honda, ICS/PowerGrit, IHI, Partner, Imer, Clipper, MMD, Koshin, Rice, CH&E, General Equipment, Amida, Coleman, NAC, Gradall, Square Shooter, Kent, Stanley, Tamco, Toku, Hatz, Kohler, Robin, Wisconsin, Northrock, Oztec, Toker TK, Rol-Air, APT, Wylie, Ingersoll Rand / Doosan, Innovatech, Con X, Ammann, Mecalac, Makinex, Smith Surface Prep, Small Line, Wanco, Yanmar

KEY TO SYMBOLS

Symbols on the machine:

WARNING! The machine can be a dangerous tool if used incorrectly or carelessly, which can cause serious or fatal injury to the operator or others.



Please read the operator's manual carefully and make sure you understand the instructions before using the machine.



Always wear:

- Approved protective helmet
- Approved hearing protection
- Protective goggles or a visor
- Breathing mask



Risk of cuts. Keep all body parts away from the cutting equipment.



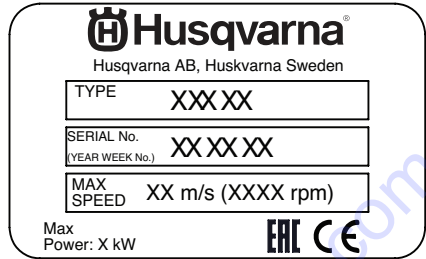
Flying object hazard. The operator must always stand at an angle diagonally behind an operating saw, to prevent the risk of being struck by objects from the material.



Keep a safe distance from the machine. For the operator the minimum safety margin to moving parts during operation is 4 meters (13 ft).



Machine marking plate



Row 1: Brand

Row 2: Manufacturer's address

Row 3: Type

Row 4: Serial number (year, week, number)

Row 5: Max speed

Row 6: Max power, certification symbols applicable to certain markets.

Explanation of warning levels

The warnings are graded in three levels.

WARNING!



WARNING! Used if there is a risk of serious injury or death for the operator or damage to the surroundings if the instructions in the manual are not followed.

IMPORTANT!



IMPORTANT! Used if there is a risk of injury to the operator or damage to the surroundings if the instructions in the manual are not followed.

CAUTION!



CAUTION! Used if there is a risk of damage to materials or the machine if the instructions in the manual are not followed.

Other symbols/decals on the machine refer to special certification requirements for certain markets.

CONTENTS

Contents

KEY TO SYMBOLS

Symbols on the machine:	2
Machine marking plate	2
Explanation of warning levels	2

CONTENTS

Contents	3
Note the following before starting:	3

PRESENTATION

Dear customer!	4
Design and features	4
WSC 40	4

WHAT IS WHAT?

What is what on WSC 40?	5
-------------------------------	---

MACHINE'S SAFETY EQUIPMENT

General	6
---------------	---

DIAMOND CHAINS

General	7
Check the chain	7
Check the saw	7
Material	7
Glazing	7
Transport and storage	7

ASSEMBLING AND ADJUSTMENTS

General	8
Mount wall mountings and rail	8
Mount the saw carriage and saw	8
Checking that the blade guard guide is parallel with the blade	8
Mount the wall saw chain attachment	8
Fitting diamond chain	10
How to tension the diamond chain	10
Mounting spray guard	10
Connect the power pack	11
Dismount the attachment	11

OPERATING

Protective equipment	12
Basic working techniques	14
Recommended chain speed	16

STARTING AND STOPPING

Before starting	17
Starting	17
Select drive mode.	17
Calibration	17
Stopping	17
Dismantling the saw	17
Cleaning	17

MAINTENANCE

General	18
Maintenance schedule	18
Cleaning	18
Functional inspection	19

TROUBLESHOOTING

Troubleshooting schedule	23
--------------------------------	----

TECHNICAL DATA

WSC 40	24
Recommended cutting equipment specification, chain	24
Recommended cutting equipment specification, guide bar	24

US WARRANTY STATEMENT

WARRANTY POLICY	25
EQUIPMENT	25

Note the following before starting:



WARNING! Cutting, especially when DRY cutting, generates dust that comes from the material being cut, which frequently contains silica. Silica is a basic component of sand, quartz, brick clay, granite and numerous other minerals and rocks. Exposure to excessive amount of such dust can cause:

Respiratory disease (affecting your ability to breath), including chronic bronchitis, silicosis and pulmonary fibrosis from exposure to silica. These diseases may be fatal;

Skin irritation and rash.

Cancer according to NTP* and IARC* */ National Toxicology Program, International Agency for Research on Cancer

Take precautionary steps:

Avoid inhalation of and skin contact with dust, mist and fumes.

Wear and ensure that all bystanders wear appropriate respiratory protection such as dust masks designed to filter out microscopic particles. (See OSHA 29 CFR Part 1910.1200)

Wet cut when feasible, to minimize dust.

PRESENTATION

Dear customer!

Thank you for choosing a Husqvarna product!

It is our wish that you will be satisfied with your product and that it will be your companion for a long time. A purchase of one of our products gives you access to professional help with repairs and services. If the retailer who sells your machine is not one of our authorised dealers, ask him for the address of your nearest service workshop.

This operator's manual is a valuable document. Make sure it is always at hand at the work place. By following its content (operating, service, maintenance etc.) the life span and the second-hand value of the machine can be extended. If you ever lend or sell this machine, make sure that the borrower or buyer gets the operator's manual, so they will also know how to properly maintain and use it.

More than 300 years of innovation

Husqvarna AB is a Swedish company based on a tradition that dates back to 1689, when the Swedish King Karl XI ordered the construction of a factory for production of muskets. At that time, the foundation was already laid for the engineering skills behind the development of some of the world's leading products in areas such as hunting weapons, bicycles, motorcycles, domestic appliances, sewing machines and outdoor products.

Husqvarna is the global leader in outdoor power products for forestry, park maintenance and lawn and garden care, as well as cutting equipment and diamond tools for the construction and stone industries.

Owner responsibility

It is the owner's/employer's responsibility that the operator has sufficient knowledge about how to use the machine safely. Supervisors and operators must have read and understood the Operator's Manual. They must be aware of:

- The machine's safety instructions.
- The machine's range of applications and limitations.
- How the machine is to be used and maintained.

National legislation could regulate the use of this machine. Find out what legislation is applicable in the place where you work before you start using the machine.

The manufacturer's reservation

Subsequent to publishing this manual Husqvarna may issue additional information for safe operation of this product. It is the owner's obligation to keep up with the safest methods of operation.

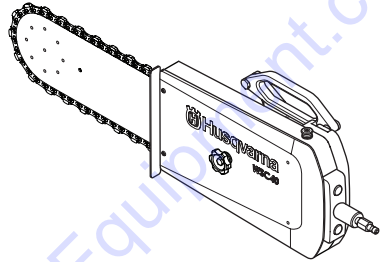
Husqvarna AB has a policy of continuous product development and therefore reserves the right to modify the design and appearance of products without prior notice.

Design and features

Values such as high performance, reliability, innovative technology, advanced technical solutions and environmental considerations distinguish Husqvarna's products. Safe operation of this product requires the operator to read this manual carefully. Ask your dealer or Husqvarna should you need more information.

Some of the unique features of your product are described below.

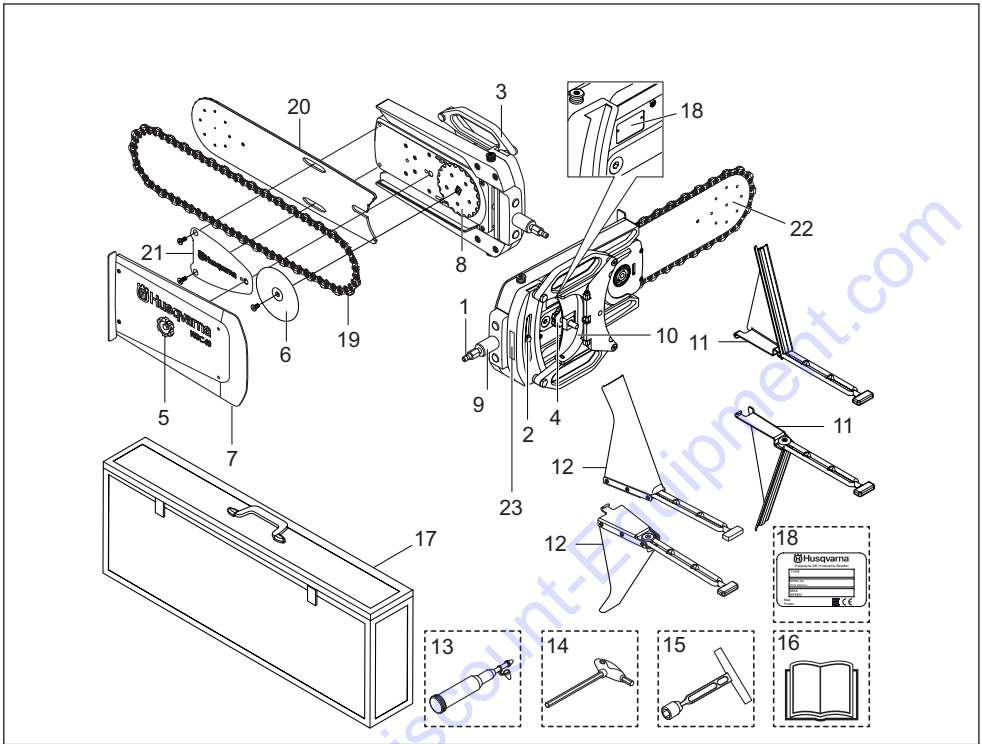
WSC 40



This wall saw chain attachment is a part of a wall saw system and works with the wall saws WS 440 and WS 482. The wall saw chain attachment is designed to cut hard materials like reinforced concrete, masonry and stone and should not be used for any purpose not described in this manual. To operate this machine a Husqvarna WS 440/WS 482 and a Husqvarna high frequency power pack are required.

- This wall saw chain attachment is used to avoid overcuts when cutting openings.
- The machine enables cutting of smaller openings for ventilation, pipes, etc.
- The chain speed is electronically controlled and adjusted using the remote control for the power unit.
- Same alignment between chain and track, as WS 440 and WS 482 with blade.
- The chain's direction of rotation can be controlled with the remote control which allows one to choose the direction of the water spray.
- The design is lightweight, compact and ergonomic which makes the machine easy to transport.
- The specific software for WSC 40 is installed in the power pack and makes automatic adjustments of the feed motor movements to create straight plunge cuts. Make sure that you have the latest software installed in your power pack.

WHAT IS WHAT?



What is what on WSC 40?

- | | | | |
|----|-------------------------------|----|-----------------------|
| 1 | Hose connection, water in | 13 | Grease gun |
| 2 | Angle adjustment screw | 14 | Allen key (5 mm) |
| 3 | Parallel handle | 15 | T-box spanner (13 mm) |
| 4 | Locking knob for clamp | 16 | Operator's manual |
| 5 | Locking knob | 17 | Storage box |
| 6 | Clamping washer | 18 | Machine marking plate |
| 7 | Transmission cover | 19 | Diamond chain |
| 8 | Chain drive sprocket | 20 | Guide bar |
| 9 | Chain tension adjustment knob | 21 | Clamping plate |
| 10 | Clamp for wall saw handle | 22 | Nose wheel |
| 11 | Flush cutting guard | 23 | Warning decal |
| 12 | Spray guard | | |

MACHINE'S SAFETY EQUIPMENT

General

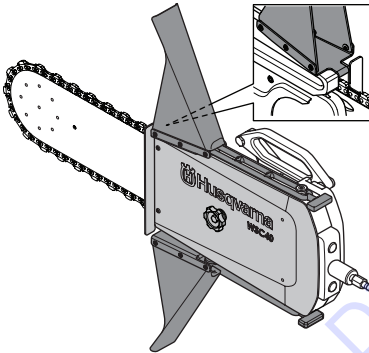
This section describes the machine's safety equipment, its purpose, and how checks and maintenance should be carried out to ensure that it operates correctly. See the "What is what?" section to locate where this equipment is positioned on your machine.



WARNING! Never use a machine that has faulty safety equipment! Safety equipment must be inspected and maintained. If the safety equipment or any machine parts are damaged in any way take it to a service workshop for repair.

Cover and spray guards

The cover and the spray guard must always be used when sawing.



The cover and spray guard provides protection against contact with moving parts, ejected debris, thrown water and concrete slurry. The spray guards are also designed to catch the diamond chain if it snaps or jump off.

We recommend that both spray guards are fitted but in some applications (sawing aligned to floor or ceiling) one spray guard might be temporarily removed. At least the spray guard in the direction of the spray must be fitted. Put back the removed spray guard after cut.

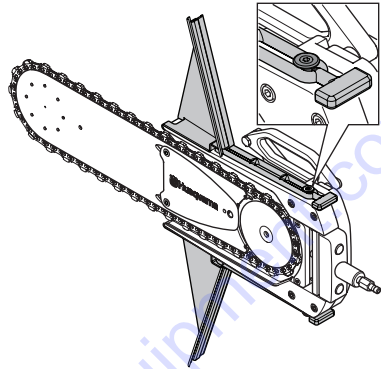
Check the cover and the spray guard.

Ensure there are no cracks or holes from slurry blasting in the cover and guards.

Replace cover or guards if damaged.

Guards for flush cutting

This machine can be used for flush cutting. For flush cutting specially designed spray guards are used. These guards are only allowed for flush cutting.



Check the guards for damages or wear. Ensure there are no damages on the guards. Replace the guards if damaged.

Power pack

Make sure to check the safety equipment on the supplied power pack. See the operator's manual for the power pack.

Also check the safety instructions and the operator's instructions in the operator's manuals for actual wall saw and power pack to be used.

DIAMOND CHAINS

General



WARNING! Chain breakage can result in serious injury if the chain is thrown towards the operator. Faulty cutting equipment or the wrong combination of bar and chain increases the risk of kickback! Use only the bar and chain combinations that we recommend.

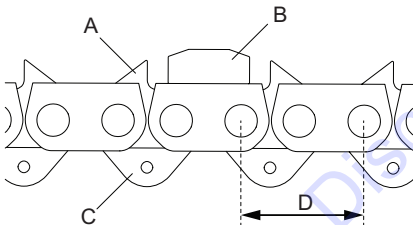


WARNING! Always disconnect the power cable to the saw unit before installation, cleaning and maintenance. Carelessness can result in serious personal injury or even death.



WARNING! Always wear gloves, when working with the chain.

- A) Drive link with bumper
- B) Cutting link with diamond segment
- C) Chain guide



Diamond chain pitch: $\text{Pitch} = D/2$

This unit must only be used with a double bumper chain since the machine can be operated in double rotation directions.

When using a chain with double bumpers, the chain can be fitted either way round.

Check the chain

- Check that the chain does not show signs of damage in the form of play on the links, broken raker or drive links or broken segments. If the diamond chain is damaged replace it.
- If the chain has been exposed to hard jamming or other abnormal overloading, the chain should be dismantled from the bar for careful inspection.

Check the saw

The saw is equipped with a number of safety features that protect the operator in the event of chain breakage. These safety features must be checked before work starts. Never use the saw if any of the following parts are damaged or missing:

- Transmission cover
- Damaged chain
- Damaged or missing spray guard.

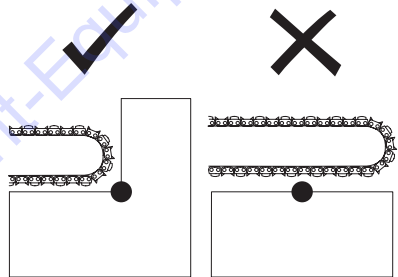
Material



WARNING! Under no circumstances may the diamond chain saw be converted to cut other materials than those it is intended for. It must never be equipped with a timber/wood saw chain.

This machine is designed for and intended for sawing concrete, brick and different stone materials. All other use is improper.

The saw must never be used to cut pure metals. This will probably result in broken segments or chain breakage. The diamond segment can cut reinforced concrete. Try to cut the reinforcement together with as much concrete as possible, this will save the chain.



Glazing

After cutting extremely hard concrete or stone the diamond segment may lose some or all of its cutting capacity. This can also occur if you are forced to cut with a low partial pressure (the diamond chain runs against the workpiece along the entire length of the bar). The solution to the problem is to change the rotation direction of the chain.

Transport and storage

- After completed work, the diamond chain saw shall be run with water pressure for at least 15 sec. to clean bar, chain and drive mechanism of particles. Rinse the machine with water. If the machine is not to be used for a while, we recommend oiling the chain and bar to prevent corrosion.
- Inspect all cutting equipment for transport and storage damage.

ASSEMBLING AND ADJUSTMENTS

General



WARNING! Always disconnect the power cable to the saw unit before installation, cleaning and maintenance. Carelessness can result in serious personal injury or even death.

Mount wall mountings and rail

Assemble the system according to operator's manual for actual wall saw.

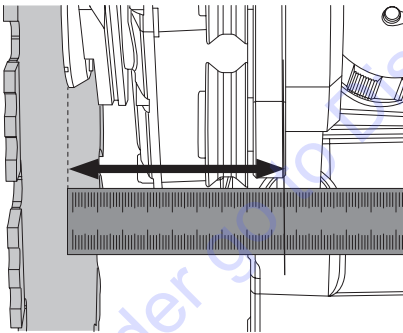
Mount the saw carriage and saw

Assemble the system according to operator's manual for actual wall saw.

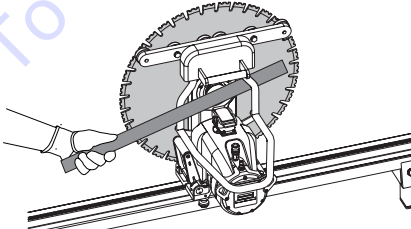
Checking that the blade guard guide is parallel with the blade

For alignment of the WSC 40 to the cut, make sure no deformation has occurred on the handle bar on the wall saw.

- 1 Mount the blade guard guide on the guide and measure between each of the end wheels and the blade. The measurement between the outside of the wheel guide and the blade shall be approximately 102 +/- 2 mm.



- 2 If the difference is larger than 2 mm, take away the guide and adjust the frame with an iron bar to get the guide parallel to the blade.



Mount the wall saw chain attachment

IMPORTANT! Always keep the machine in the provided box when not in use.



WARNING! Protect your hands with gloves.



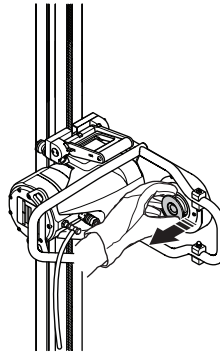
WARNING! Only one person should perform the mounting procedure of the machine to be able to prevent unforeseen events.



WARNING! Risk of crush injuries! Hold the machine steady.

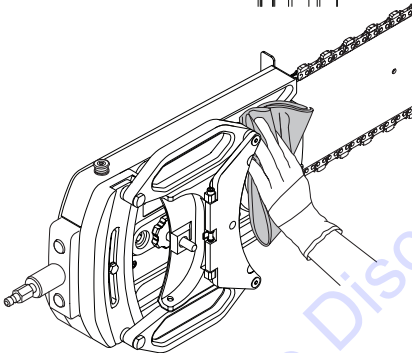
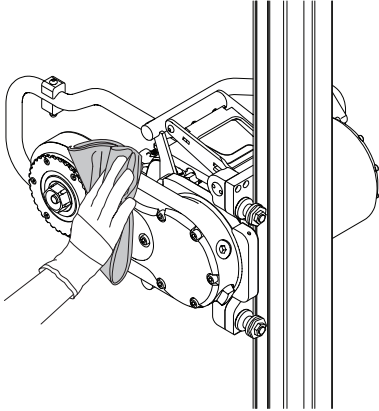
IMPORTANT! Keep the floor clean during mounting. Make sure that no objects are in the way.

- 1 Remove the blade and the blade flange according to the operator's manual of the actual wall saw.
- 2 Make sure that the spindle hub is in the outer position. It is not possible to attach WSC 40 if the hexagon shaft is in the inner position.

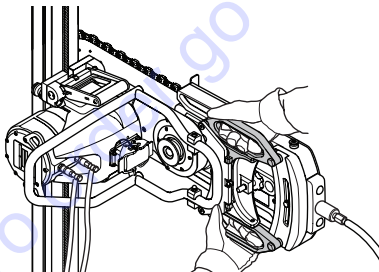


ASSEMBLING AND ADJUSTMENTS

- 3 Make sure that the surfaces on the machine and on the saw head are clean.

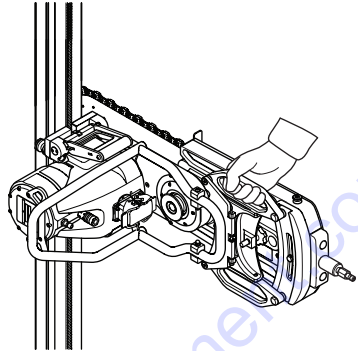


- 4 Use both hands to lift up the machine in the parallel handle from the storage box.

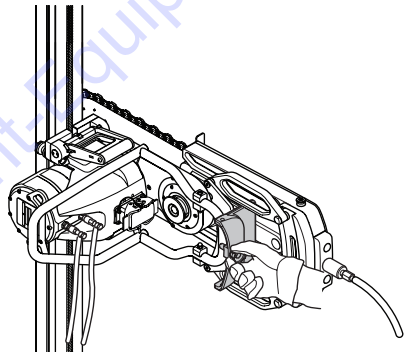


- 5 Slide the WSC 40 onto the wall saw arm. Push on the hexagon shaft while moving the unit carefully around the center to align the shaft. The shaft should now be in its intermediate locked position. Check by pulling

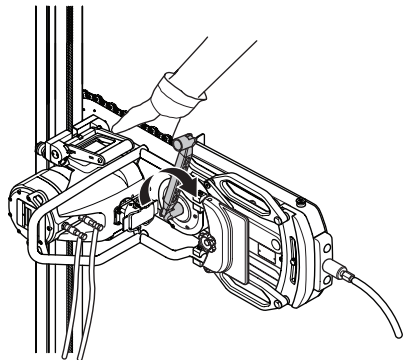
- the wall saw chain attachment. Make sure that the machine is locked on the saw arm.



- 6 Fold over the clamp that locks the attachment to the handle bar. Tighten the locking knob.

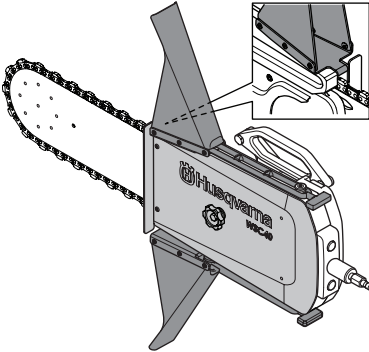


- 7 Tighten the machine to the saw head with the bolt in the spindle hub. Put one hand on the chain for resistance. Don't forget to wear gloves. Use the 18 mm wrench provided in the tool box. Use the tightening torque 70-80 Nm (52-59 ft-lbs).

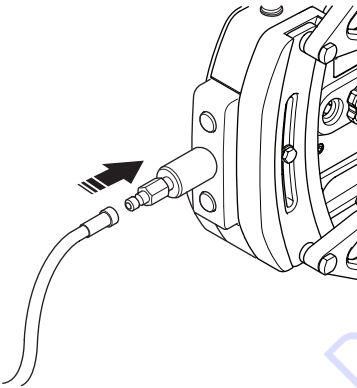


ASSEMBLING AND ADJUSTMENTS

8 Mount the spray guards.



9 Connect the water hose.



WARNING! Check that the assembly is correct before connecting the power cable.

Fitting diamond chain



WARNING! Never mount or dismount the tool or the guards without first disconnecting the power cable from the saw unit. Carelessness can result in serious personal injury or even death.



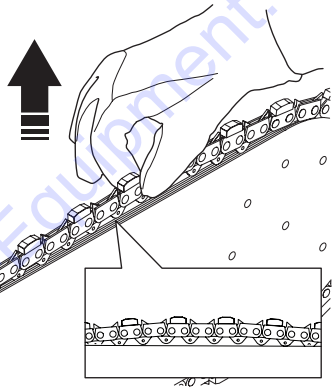
WARNING! Exercise care when assembling the wall saw chain attachment so that it does not loosen when cutting. Carelessness can result in serious personal injury or even death.

How to tension the diamond chain

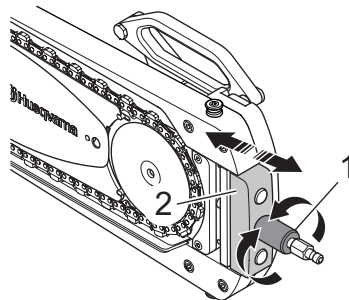


WARNING! A slack diamond chain may jump off and cause serious or even fatal injury.

The correct diamond chain tension on this machine differs from other chain saws. When the chain is perfectly tensioned the chain is tight to the chain bar and in a perfect circle around the chain bar. After tensioning it should still be possible to lift up the chain so the chain guides are parallel to the chain bar and to move the chain easily.



Loosen the screw for the clamping washer from behind using a 13mm t-box spanner. Use the adjustment knob to tension the chain.



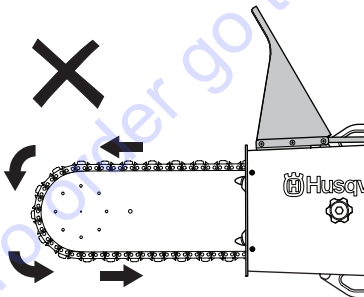
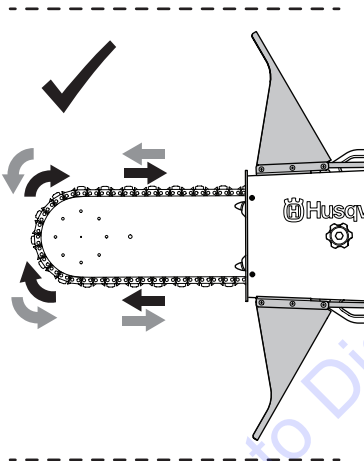
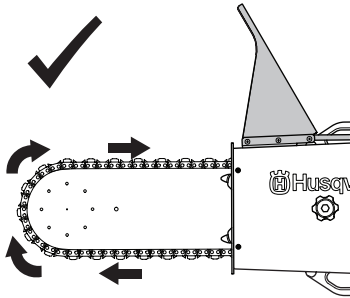
Mounting spray guard

The spray guard for the cutting equipment should be mounted on the sides of the machine with rubber straps. Spatter and sparks from the material being cut are then collected by the guard and led away from the user.

Since the diamond chain rotation direction can be selected, the water spray direction from the chain can also be selected regardless of how the saw is turned on the rail.

ASSEMBLING AND ADJUSTMENTS

Both when the saw is used for flush cutting or normal cutting, the spray guards are mounted in the direction of chain rotation.



Connect the power pack



WARNING! This product is only intended for use together with the Husqvarna PP 400 series power packs. All other use is forbidden.

Read through the manual supplied with the power pack before starting to use the machine.

Maximum power to the unit is 9,2 kW and therefore 16 A mode is shown when using WSC 40 with PP 480 and PP 490. This is automatically set when chain mode is selected in the remote. Check that the power pack is updated with latest software.

Dismount the attachment



WARNING! Always disconnect the power cable to the saw unit before installation, disassembly, cleaning and maintenance. Carelessness can result in serious personal injury or even death.

- 1 Disconnect the incoming power lead and incoming water hose.
- 2 Remove the spray guards.
- 3 Place a hand on the chain to prevent it from moving and loosen the bolt in the spindle hub with the 18 mm wrench. Unscrew the bolt and make sure that the spindle hub is in intermediate position.
- 4 Take a firm grip around the water connection on WSC 40. Unscrew the locking knob on the locking clamp. Fold the locking clamp over to secure the parallel handles.
- 5 Take a firm grip in the parallel handle with the free hand. Pull out the spindle hub on the wall saw arm to its outer position. Remove the machine.
- 6 Always keep the machine in the provided box when not in use.

OPERATING

Protective equipment

General

Do not use the machine unless you are able to call for help in the event of an accident.

Personal protective equipment

You must use approved personal protective equipment whenever you use the machine. Personal protective equipment cannot eliminate the risk of injury but it will reduce the degree of injury if an accident does happen. Ask your dealer for help in choosing the right equipment.



WARNING! The use of products such as cutters, grinders, drills, that sand or form material can generate dust and vapors which may contain hazardous chemicals. Check the nature of the material you intend to process and use an appropriate breathing mask.

Long-term exposure to noise can result in permanent hearing impairment. So always use approved hearing protection. Listen out for warning signals or shouts when you are wearing hearing protection. Always remove your hearing protection as soon as the engine stops.

There is always a risk of crush injuries when working with products containing moving parts. Wear protective gloves to avoid body injuries.

Always wear:

- Approved protective helmet
- Hearing protection
- Approved eye protection. If you use a face shield then you must also wear approved protective goggles. Approved protective goggles must comply with standard ANSI Z87.1 in the USA or EN 166 in EU countries. Visors must comply with standard EN 1731.
- Breathing mask
- Heavy-duty, firm grip gloves.
- Tight-fitting, heavy-duty and comfortable clothing that permits full freedom of movement. Do not wear shorts
- Boots with steel toe-caps and non-slip sole
- Be careful as clothing, long hair, and jewellery can get caught in moving parts.

Other protective equipment



WARNING! Sparks may appear and start a fire when you work with the machine. Always keep fire fighting equipment handy.

- Fire Extinguisher
- First aid kit

General safety precautions



WARNING! Please read all safety warnings and all instructions. Failure to follow the warnings and instructions may result in electric shock, fire and/or serious injury.

This section describes basic safety directions for using the machine. This information is never a substitute for professional skills and experience. If you get into a situation where you feel unsafe, stop and seek expert advice. Contact Discount-equipment. Do not attempt any task that you feel unsure of!

- Please read the operator's manual carefully and make sure you understand the instructions before using the machine.
- Read through the manual supplied with the power pack before starting to use the machine.
- This machine is only intended for use together with a Husqvarna WS 440 /WS 482. All other use is forbidden.
- The machine can cause serious personal injury. Read the safety instructions carefully. Learn how to use the machine.
- Keep in mind that the operator is responsible for accidents or hazards occurring to other people or their property.
- All operators shall be trained in the use of the machine. The owner is responsible for ensuring that the operators receive training.
- The machine must be kept clean. Signs and stickers must be fully legible.
- Save all warnings and instructions for future reference.



WARNING! The machine can be a dangerous tool if used incorrectly or carelessly, which can cause serious or fatal injury to the operator or others.

Never allow children or other persons not trained in the use of the machine to use or service it.

Never allow anyone else to use the machine without first ensuring that they have read and understood the contents of the operator's manual.

OPERATING



WARNING! Unauthorized modifications and/or accessories may lead to serious injury or death to the user or others.

Do not modify this product or use it if it appears to have been modified by others.

Never use a machine, battery or battery charger that is faulty. Carry out the checks, maintenance and service instructions described in this manual. Some maintenance and service measures must be carried out by trained and qualified specialists. See instructions under the heading Maintenance.

Only use original spare parts.

Always use common sense

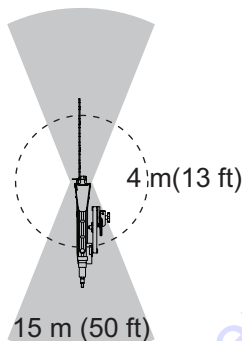
It is not possible to cover every conceivable situation you can face. Always exercise care and use your common sense.

If you get into a situation where you feel unsafe, stop and seek expert advice. Contact Discount-equipment. Do not attempt any task that you feel unsure of!

Work area safety

- Always check the back of the wall where the guide bar and diamond chain comes out when cutting through. Secure, cordon off and make sure that no people can be injured or materials damaged.
- Always check and mark out where gas pipes are routed. Cutting close to gas pipes always entails danger. Make sure that sparks are not caused when cutting in view of the risk of explosion. Remain concentrated and focused on the task. Carelessness can result in serious personal injury or death.
- Make sure that no pipes or electrical cables are routed in the working area or in the material to be cut.
- Make sure there are no live electrical cables within the working area.
- Make sure no unauthorised persons are in the working area, otherwise there is a risk of serious personal injury. The safety distance is 15 meters (50 ft.).
- Do not use the machine in bad weather, such as dense fog, heavy rain, strong wind, intense cold, etc.
- Working in bad weather is tiring and can lead to dangerous conditions, e.g. slippery surfaces.
- Ensure that the working area is sufficiently illuminated to create a safe working environment.
- Always ensure you have a safe and stable working position.

The machine's risk area



WARNING! Make sure no unauthorised persons are in the working area, otherwise there is a risk of serious personal injury. The safety distance is 15 meters (50 ft.).



WARNING! For the operator the minimum safety margin to moving parts during operation is 4 meters (13 ft). The operator must always stand at an angle diagonally behind an operating saw, to prevent the risk of being struck by objects from the material. Be extra careful at start-up when the saw penetrates the material.

IMPORTANT! No persons that do not have the protective equipment described above shall be allowed inside the risk area for thrown material.

Electrical safety

See the electrical safety sections of the manuals for the wall saw and the power pack that is used.



WARNING! Do not pressure wash the machine, as water can enter the electrical system or the engine and cause damage to the machine or short circuit.

Personal safety

- Never leave the machine unsupervised with the motor running.
- Never saw in such a way that you cannot easily reach the emergency stop on the remote control or on the power pack. See power pack manual.
- Make sure that there is always another person close at hand when you use the machines, so that you can call for help if an accident should occur.

OPERATING

- People that need to be in close proximity of the machine must wear the required protective gear, including hearing protection, as the sound level when cutting exceeds 85 dB(A).
- Observe care when lifting. You are handling heavy parts, which imply the risk of pinch injuries or other injuries.
- People and animals can distract you causing you to lose control of the machine. For this reason, always remain concentrated and focused on the task.
- Be careful as clothing, long hair, and jewellery can get caught in moving parts.
- **Remove any adjusting key or wrench before turning the power tool on.** A wrench or a key left attached to a rotating part of the power tool may result in personal injury.
- Never leave the machine unsupervised with the motor running.
- Risk for crushing hazard. If incorrectly assembled the machine can fall and harm the operator.
- Observe care when lifting. You are handling heavy parts, which imply the risk of pinch injuries or other injuries.

Use and care

- Never mount or dismount tool or guards without first pulling out the power cable running to the saw unit.
- Never pull out the power cable without first switching off the power pack and waiting for the engine to come to a complete halt.
- Never cut without using correct guards.
- Check that the chain is not in contact with anything when the machine is started.
- For the operator the minimum safety margin to moving parts during operation is 4 meters (13 ft). The operator must always stand at an angle diagonally behind an operating saw, to prevent the risk of being struck by objects from the material.
- Water cooling must always be used. This cools the chain and chain bar and increases their life and prevents dust build-up.
- Check that all couplings, connections and cables are intact and free from dirt.
- Clearly mark out all cuts to be made before you start sawing, plan these so they can be carried out without danger to persons or the machine.
- Firmly secure or anchor concrete blocks before cutting. The heavy weight of cut material can cause both extensive damage to the machine and serious personal injury if it cannot be moved under controlled conditions.

Transport and storage

- Always pull out the electric cable before moving the equipment.
- Dismount the blade and blade guard before transport and storage.

- Store the equipment in a lockable area so that it is out of reach of children and unauthorized persons.
- If there is a risk of freezing, the machine must be drained of any remaining water coolant.
- Use the cases provided to store the equipment.

Basic working techniques



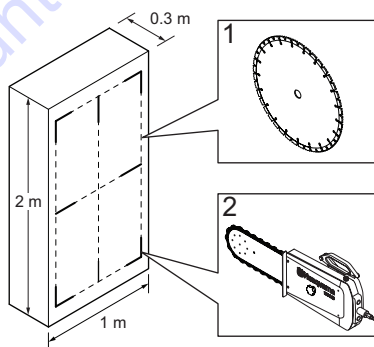
WARNING! Working technique for WSC 40 is only applicable for this product. Never adapt these working techniques for other equipment.



WARNING! Always use a blade with segments that are wider than the segments of the chain. This is extremely important if a handheld machine will be used to finish the cut. If a rail guided machine like WSC 40 is used, it can be disregarded.

Start the cutting with the wall saw with blade (1) according to the illustration. There after use the wall saw chain attachment (2) according to the illustration.

Cutting is performed according to the illustration:



Feed the blade 3-7 cm (1.2"-2.8"). Make the pilot cut in order to obtain a straight cut and with that a base for the next cut. The cut should be made with care. The cutting arm allows blades up to 1000 mm (40") to be used as the start blade. It is, however, recommended to start cutting with a 800 mm (31.5") blade.

- When the pilot cut is finished, a deeper cut can be made. The depth of these is determined from instance to instance and depends on factors such as hardness of the concrete, existence of reinforcing bar, etc.
- If you change blades to cut deeper in the same cut, make sure the thickness of the blade matches the width of the groove.
- Let the machine work without forcing or pressing the blade.

OPERATING

When the cuts with the blade are finished, replace the blade with the wall saw chain attachment and cut the remaining material to get sharp corners.

If you are cutting in a heavily reinforced concrete or hard aggregate you should start the cut A minus 50 mm (2") from the corner. Check table under overcutting for A measurements.

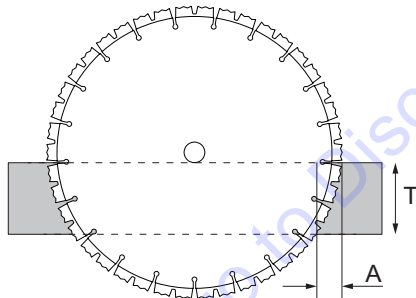
CAUTION! Change the setting in the remote control to chain mode when using the wall saw chain attachment.

Feed the wall saw chain attachment inwards in the wall and cut with the nose wheel. The software will automatically adjust the longitudinal feeding to make the cut with the nose wheel. Make sure that there is enough room for the saw carriage to the end stop of the track when cutting starts (choose the correct direction of the arm rotation).

CAUTION! Make sure that chain mode is selected in the remote control. If not, the tool will suffer excessive wear.

Overcutting

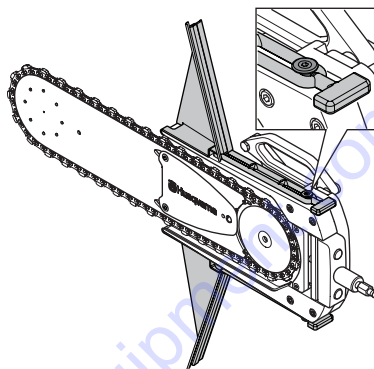
The overcutting length depends on the thickness of wall and what blade that is used.



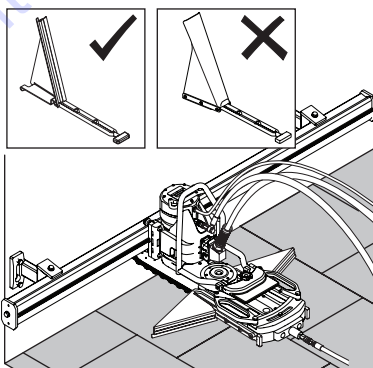
Blade size	800 mm/32"	1000 mm/40"
T (mm/inch)	A (overcutting mm/inch)	
200/8	100/4	80/3
250/10	160/6	120/5
300/12	250/10	160/6
14/350	-	230/9
16/400	-	335/13

Flush cutting

Remove the spray guards for normal cutting and the transmission cover. Replace the spray guards with the provided guards for flush cutting.



We recommend that both flush guards are fitted but in some applications (sawing aligned to the floor or the ceiling) one guard might be temporarily removed. At least the guard in the chain direction must be fitted. Replace the guard after cutting.

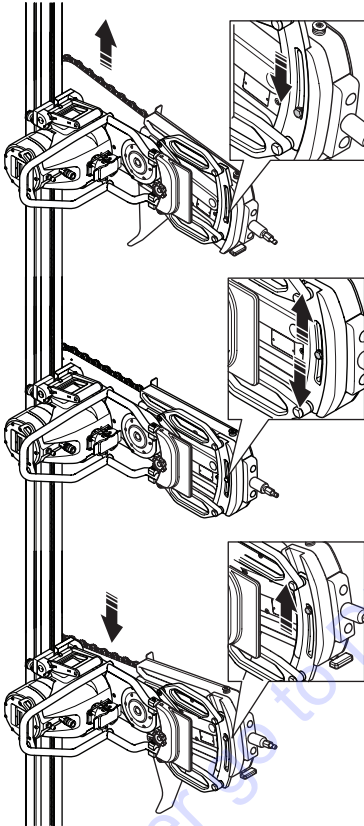


OPERATING

Angle adjustment

Angle adjustment is used to get a perfect cut in angles close to ceiling, wall or floor. Adjust the angle to its maximum position. The direction is depending on the cut.

Loosen the screw and adjust the angle.



WARNING! Always tighten the screw with tightening torque 20 Nm (15 ft-lbs).

Recommended chain speed

For best cutting performance, use full cutting speed 28 m/s (92 ft/s) in soft and medium concrete.

If WS 482 is used, make sure that mechanical gear 2 is engaged to get correct display of chain speed.

CAUTION! Cutting at too low revs can cause damages to the chain and chain bar. Check that the correct mechanical gear is selected! A lower chain speed should be used when cutting in hard concrete than if cutting in soft concrete.

STARTING AND STOPPING

Before starting

- Enclose the area to be cut so that unauthorised persons can not be injured or disturb the operator.
- Check that the blade and the blade guard is not damaged or cracked. Replace the blade or the blade guard if it has been exposed to impact or is cracked.
- Check that the chain, chain bar and the chain guards are not damaged or cracked. Replace if exposed to impact or cracked.
- Check that all cables and the water supply are correctly connected to the machine before starting it.

Starting

Follow the instructions for starting in the manual supplied with the power pack.

CAUTION! Ensure that the correct drive mode for WSC40 is selected in the remote. Otherwise excessive wear on the chain and chainbar will occur.

IMPORTANT! Ensure that you have the latest software installed in your power pack and remote control. Husqvarna service center can provide you with the latest software.

Select mechanical gear 2, if a wall saw WS 482 is used.

Select drive mode.

Drive modes are changed in the remote control provided with the wall saw equipment. Switch tool between blade and wall saw chain attachment by pressing the arrow buttons up and down.

The power pack may show more options. Make sure that you have chosen the correct mode for the tool in use.

If incorrect drive mode is chosen, excessive wear may occur on the tools.

Calibration

If the wall saw chain attachment is not cutting in a straight line into the wall, you may have to recalibrate the position sensors.

- 1 Use the arm rotation to move the saw into it's outer position. The two handles must be absolutely parallel.
- 2 Press menu, select calibrate arm position and press OK. The position is now calibrated.

For more details, see operator's manual for the Husqvarna power pack.

Stopping

- Once cutting is completed extract the WSC 40 bar from the wall and shut down the blade rotation and the water flow.
- Turn off the power pack.

Dismantling the saw

- 1 Allow the motor to stop completely.
- 2 Disengage the power supply for the power pack.
- 3 Turn off and disconnect inflowing water to the power pack.
- 4 Disengage the power cable and the water hose from the saw unit.
- 5 The other steps are done in the reverse order to assembling.

Cleaning

The saw should be cleaned once cutting is finished. It is important to clean all the saw equipment.

IMPORTANT! Do not use a high pressure washer to clean the saw.

Transport and storage

Always switch off the power pack and pull out the electric cable before moving the equipment.

Dismount the spray guards before transport and storage.

Store the equipment in a lockable area so that it is out of reach of children and unauthorized persons.

If there is a risk of freezing, the machine must be drained of any remaining water.

Use the cases provided to store the equipment.

MAINTENANCE

General



WARNING! The user must only carry out the maintenance and service work described in this manual. More extensive work must be carried out by an authorized service workshop.

Inspection and/or maintenance should be carried out with the motor switched off and the power plug disconnected.

Wear personal protective equipment. See instructions under the heading "Personal protective equipment".

The life span of the machine can be reduced and the risk of accidents can increase if machine maintenance is not carried out correctly and if service and/or repairs are not carried out professionally. If you need further information please contact Discount-equipment.

Let Discount-equipment regularly check the machine and make essential adjustments and repairs.

Always perform maintenance and service in a tidy environment without debris on the floor.

Maintenance schedule

In the maintenance schedule you can see which parts of your machine that require maintenance, and with which intervals it should take place. The intervals are calculated based on daily use of the machine, and may differ depending on the rate of usage.

	Daily Maintenance	For each square meter of sawing
Cleaning	External cleaning	
Greasing	Spray chain and guide bar with oil.	Grease the guide bar with 2-3 strokes in the lubrication point
	Grease the guide bar. Stroke in the lubrication point until the chain bar is filled with grease.	
Functional inspection	General inspection	
	Water system	
	Cover and spray guard	
	Guide bar, diamond chain and drive sprocket	

Cleaning

External cleaning

The wall saw chain attachment should be cleaned once the cutting is finished. Use the cleaning brush that is supplied with the wall saw and connect it to the water hose. Clean all equipment in the system.



WARNING! Do not use high-pressure washers to clean the machine.

MAINTENANCE

Functional inspection

General inspection



WARNING! Never use damaged cables. They can cause serious, even fatal, personal injuries.

- Check that nuts and screws are tight.
- Check that all surfaces are clean.
- Check the cover and spray guards for damage or wear.
- Check the drive gear for wear.
- Check chain and chain bar for damages and wear.
- Check the chain tension.
- Check the chain tension function.
- Regularly check the degree of wear on the drive sprocket. Replace if wear is excessive.

Disassembly before check

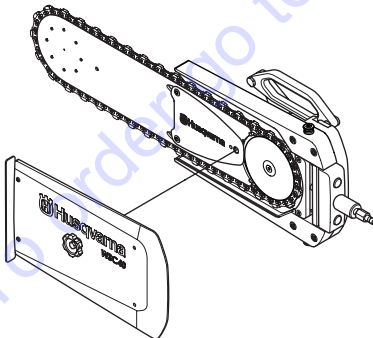


WARNING! Always disconnect the power cable to the saw unit before installation, disassembly, cleaning and maintenance.

- 1 Disconnect the water hoses from the saw unit and hang these on the designated place on the transport trolley.

Disconnect the water hoses from the saw unit and hang these on the designated place on the transport trolley or box.

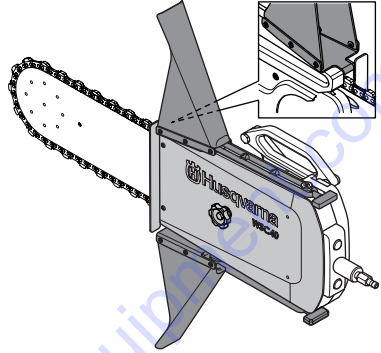
- 2 Remove the spray guards.
- 3 Unscrew the handle bolt and remove the cover.



Cover and spray guards

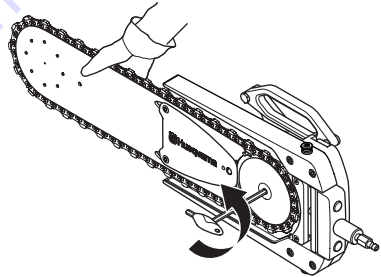
Check the cover and the spray guard.

Ensure there are no cracks or holes from slurry blasting in the transmission cover and spray guard. Replace cover or guard if damaged.

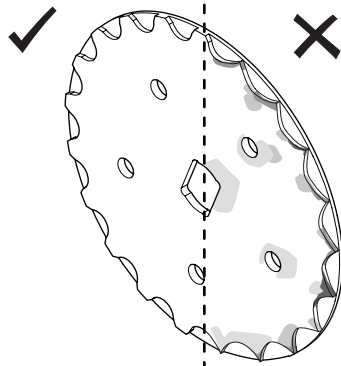


Chain drive sprocket

- 1 Hold the chain with one hand and unscrew the screw with the provided allen key. Remove the clamping washer.

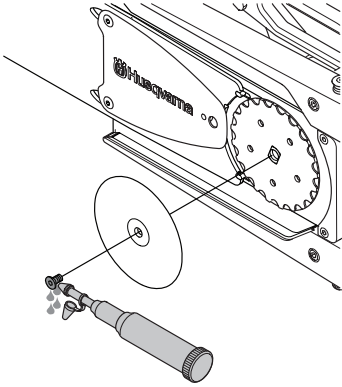


- 2 Regularly check the degree of wear on the drive sprocket. Replace if wear is excessive.

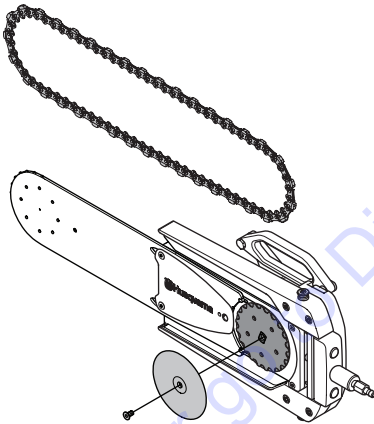


MAINTENANCE

- 3 When the drive sprocket has been loosened the screw, threads and bolt head must be greased. If the screw is not properly greased it will loosen.

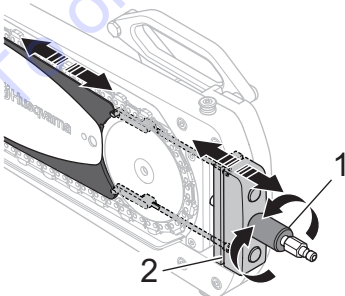


- 4 Always tighten the screw with tightening torque 20 Nm (15 ft-lbs).



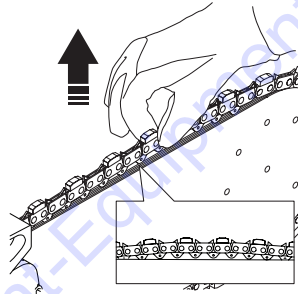
Saw chain

- 1 Unscrew the handle (1) completely, to loosen the chain tension.



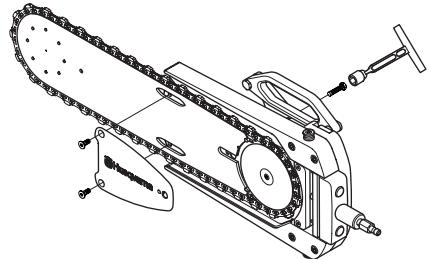
- 2 Pull the chain to release the tension mechanism (2) and remove the chain.
- 3 Inspect the chain for damages or wear. If needed, assemble a new chain on the chain bar.
- 4 The chain tension is adjusted with the handle (1).

CAUTION! The correct diamond chain tension on this machine differs from other chain saws. When the chain is perfectly tensioned the chain is tight to the chain bar and in a perfect circle around the chain bar. After tensioning it should still be possible to lift up the chain so the chain guides are parallel to the chain bar and to move the chain easily.

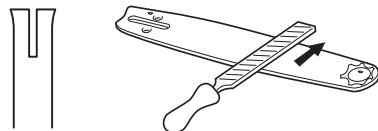


Guide bar

- 1 Use the 13 mm t-box spanner to remove the screw that holds the guide bar.



- 2 Use the provided allen key to remove the 2 countersunk screws. Keep the screws. If these screws need to be replaced, use only screws from the Illustrated Part List (IPL).
- 3 Remove the guide bar and check it for wear.
- 4 Check if there are burrs on the edges of the bar. Remove these with a file if necessary.

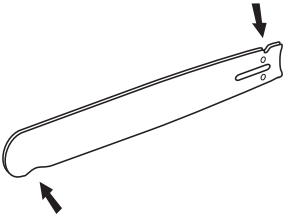


MAINTENANCE

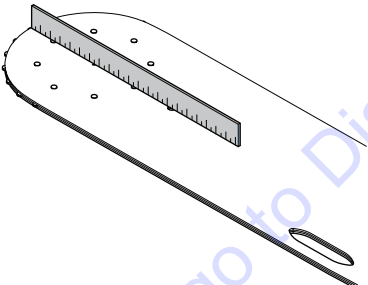
- 5 Check if the groove in the bar has become badly worn. Replace the bar if necessary.



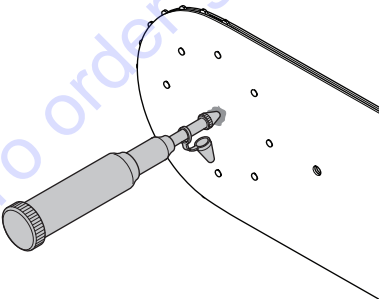
- 6 Check if the tip of the bar is uneven or badly worn. If a hollow forms on the underside of the bar tip this is due to running with a slack chain. To prolong the life of the bar, change the direction of chain rotation in the settings on the remote control. For details, see operator's manual for Husqvarna power pack.



- 7 Use a ruler to check that the bar is not bent. Put the ruler against the bar nose. The ruler must align to the bar.

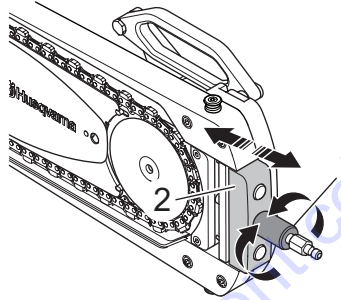


- 8 Grease the guide bar and the diamond chain daily.

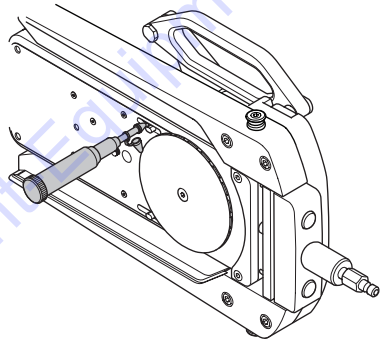


Chain tension function

- 1 Pull the grey block to check the elasticity.

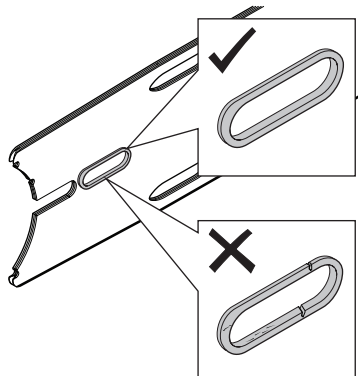


- 2 Clean the slots and grease them.



Sealing ring

- 1 Check the sealing for wear. Replace if necessary.

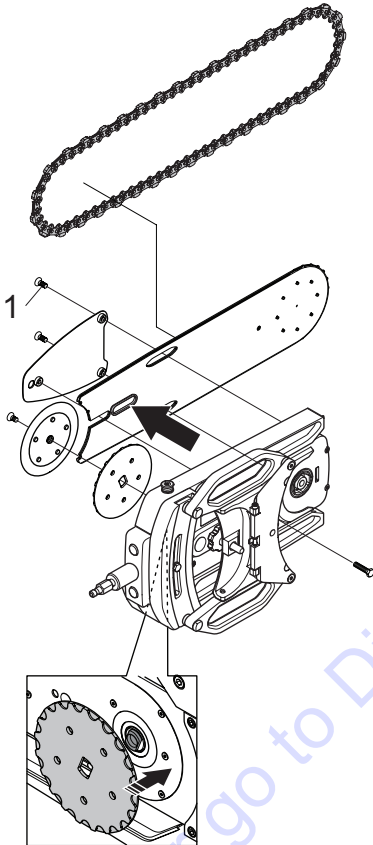


- 2 Clean all surfaces.

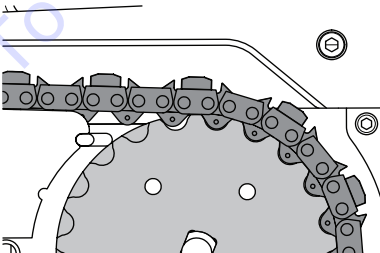
MAINTENANCE

Mounting after maintenance

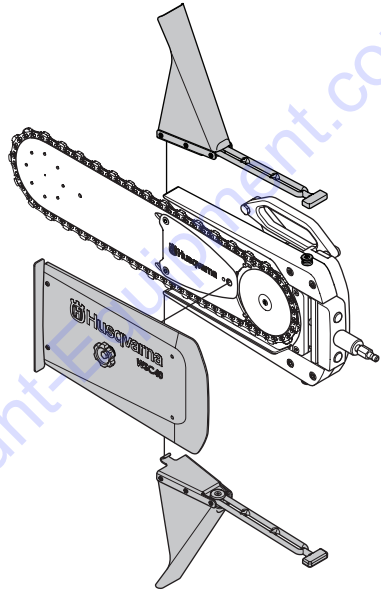
- 1 Place the drive sprocket on the output shaft.
- 2 Assemble according to the illustration.



- 3 Tighten the 2 countersunk screws (1) with tightening torque 20 Nm.
- 4 Place the chain on the chain bar and make sure that the chain follows the nose sprockets and the drive sprockets carefully.



- 5 When the drive sprocket has been loosened the screw, threads and bolt head must be greased. If the screw is not properly greased it will loosen. Always tighten the screw with tightening torque 20 Nm (15 ft-lbs).
- 6 Use the twisting knob to adjust the chain tension. Check the chain tension. Tighten the clamping washer with the bolt. Use tightening torque 20 Nm (15 ft-lbs).
- 7 Replace the cover. Tighten the knob carefully by hand.



TROUBLESHOOTING

Troubleshooting schedule



WARNING! If service operations or troubleshooting does not require the machine to be on, the engine should be switched off, and the stop switch in STOP position.

Problem	Probable cause	Potential Solution
The machine works heavily or does not go into the material.	Wear on chain or bar.	Inspect and change if needed.
	New diamonds must be released in the chain.	Change the rotation direction of the chain.
The saw works crooked.	Wear on chain or bar.	Inspect and change if needed.
	The handle bar on the saw unit is bent.	Adjust or replace the handle bar.
The cutting works heavily, also outside of the material.	Too much grease at lubrication.	Let the saw rotate outside of the material for a minute.
	Incorrect assembly.	Inspect for incorrect assembly; clamping washer, drive sprocket, chain, bar, shaft
	Rust or corrosion.	Use grease to lubricate. Change parts at heavy corrosion.
The bar vibrates at certain speeds.	Worn drive wheel.	Inspect and change if needed.
Vibration levels are too high	Diamond chain fitted incorrectly	Check that the guide bar and diamond chain is fitted correctly and does not show signs of damage. See the instructions in the sections "Diamond chains" and "Maintenance".
Abnormal wear on chain or bar.	Too little water is used at sawing.	Change the diamond chain and make sure it is intact.
	Too high power output in PP 480 or PP 490.	Make sure you have selected the "chain" saw mode on the remote control. If this mode is missing, contact Discount-equipment for a software update.
	Improper chain tension	Adjust the chain tension.
	Play in the assembly/incorrect assembly.	Move the machine back and forth to check that all parts are correctly assembled and that the wall mounting is correct.
In depth, the machine works in a bow.	The bar is damaged.	Permanent damage. Change bar.
	Cutting has been performed without pre-cutting with blade.	Permanent damage. Change bar.
	You have hit a piece of longitudinal iron.	Move the saw sideways and make a new cut.

TECHNICAL DATA

WSC 40

Power input max (kW)	9,2
Input, max (rpm)	1200
Power train	Gear drive
Drive torque input, Max (Nm)	230
Gearbox oil volume, (dl/fl oz)	1,5/5
Cooling water pressure - max, (bar/PSI)	10/145
Min. recommended water flow, (l/min / gal/min)	3,5/1
Cooling water max temp. at 3,5 l/min / 1 gal/min, (C/F)	60/140

Weight

WSC 40 incl. two guards (kg/lbs)	19/42
Total weigh with transport box, (kg/lbs)	27/60

Recommended cutting equipment specification, chain

Guide bar and diamond chain	Number of diamond chain segments:	Diamond chain pitch, (mm/inch)	Diamond chain segment width, (mm/inch)	Max chain speed (m/s / ft/s)
24" (0,444")	37	0,444/11,582	0,22/5,7	28/92

Recommended cutting equipment specification, guide bar

Guide bar length (mm/inches)	Max straight cutting depth, (mm/inches)	Max. cutting depth, (mm/inches)	Min. cutting width, (mm/inches)	Guide bar width with chain (mm/inch)	Guide bar width (mm/inches)
614/24	300/12	400/15,7	200/8	192/8	154/6

EXPLICATION DES SYMBOLES

Symboles sur la machine:

AVERTISSEMENT! La machine utilisée de manière imprudente ou inadéquate peut devenir un outil dangereux, pouvant causer des blessures graves voire mortelles à l'utilisateur et aux autres personnes présentes.



Lire attentivement et bien assimiler le manuel d'utilisation avant d'utiliser la machine.



Toujours utiliser:

- Casque de protection homologué
- Protecteurs d'oreilles homologués
- Lunettes protectrices ou visière
- Masque respiratoire



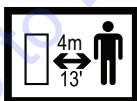
Risque de coupure. Tenir le matériel de coupe éloigné de toute partie du corps.



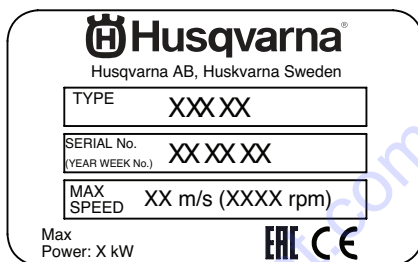
Risque de projection d'objets. L'opérateur doit toujours se trouver dans une trajectoire diagonale derrière la tronçonneuse pour éviter que certaines parties de la machine ne le heurtent.



Maintenez une distance de sécurité entre la machine et vous. Lors de l'utilisation de la machine; la distance de sécurité minimale entre l'opérateur et les parties mobiles est de 4 mètres (13 ft).



Plaque d'identification de la machine



Rangée 1 : Marque

Rangée 2 : Adresse du fabricant

Rangée 3 : Type

Rangée 4 : Numéro de série (année, semaine, numéro)

Rangée 5 : Vitesse maximale

Rangée 6 : Puissance maximale, symboles de certification applicables à certains marchés.

Explication des niveaux d'avertissement

Il existe trois niveaux d'avertissement.

AVERTISSEMENT!



AVERTISSEMENT! Symbole utilisé en cas de risque de blessures très graves ou de mort pour l'utilisateur ou de dommages pour les environs si les instructions du manuel ne sont pas suivies.

IMPORTANT!



IMPORTANT! Symbole utilisé en cas de risque de blessures pour l'utilisateur ou de dommages pour les environs si les instructions du manuel ne sont pas suivies.

REMARQUE!

REMARQUE! Symbole utilisé en cas de risque de dommages pour les matériaux ou la machine si les instructions du manuel ne sont pas suivies.

Les autres symboles/autocollants présents sur la machine concernent des exigences de certification spécifiques à certains marchés.

SOMMAIRE

Sommaire

EXPLICATION DES SYMBOLES

Symboles sur la machine:	26
Plaque d'identification de la machine	26
Explication des niveaux d'avertissement	26

SOMMAIRE

Sommaire	27
Contrôler les points suivants avant la mise en marche:	27

PRÉSENTATION

Cher client,	28
Conception et propriétés	28
WSC 40	28

QUELS SONT LES COMPOSANTS?

Quels sont les composants de la scie WSC 40 ? ..	29
--	----

ÉQUIPEMENT DE SÉCURITÉ DE LA MACHINE

Généralités	30
-------------------	----

CHAÎNES DIAMANTÉES

Généralités	31
Contrôler la chaîne	31
Contrôler la tronçonneuse	31
Matériau	31
Lustrage	31
Transport et rangement	31

MONTAGE ET RÉGLAGES

Généralités	32
Montez les fixations murales et le rail	32
Montez le chariot de sciage et la scie	32
Vérification du parallélisme entre le guide du protège-lame et la lame.	32
Montez l'accessoire de chaîne de sciage mural. ...	32
Pose de la chaîne diamantée	34
Comment tendre la chaîne diamantée	34
Montage de la protection anti-projections	34
Branchez le groupe moteur	35
Démontez l'accessoire.	35

COMMANDE

Équipement de protection	36
Techniques de travail de base	39
Vitesse de chaîne recommandée	40

DÉMARRAGE ET ARRÊT

Avant le démarrage	41
Démarrage	41
Sélectionnez le mode d'entraînement.	41
Calibration	41
Arrêt	41
Démontage de la scie	41
Nettoyage	41

ENTRETIEN

Généralités	42
Schéma d'entretien	42
Nettoyage	42
Contrôle fonctionnel	43

RECHERCHE DE PANNES

Plan de recherche de pannes	47
-----------------------------------	----

CARACTÉRISTIQUES TECHNIQUES

WSC 40	72
Spécifications de l'équipement de coupe recommandé, chaîne	72
Spécifications de l'équipement de coupe recommandé, guide-chaîne	72

DECLARATION DE GARANTIE ETATS-UNIS

POLITIQUE DE GARANTIE	49
EQUIPEMENT	49

Contrôler les points suivants avant la mise en marche:



AVERTISSEMENT! La découpe, particulièrement la découpe à SEC soulève la poussière générée par le matériau coupé qui contient souvent de la silice. La silice est composée de sable, de quarts d'argile, de granit et de nombreuses autres substances minérales et rocheuses. L'exposition à une quantité excessive d'une telle poussière peut causer:

Des maladies respiratoires (altérant les facultés respiratoires), y compris bronchites chroniques, silicose et fibrose pulmonaire dues à une exposition à la silice. Ces maladies peuvent être fatales;

Irritation cutanée et démangeaisons.

Des cancers selon NTP* et IARC* */ National Toxicology Program, International Agency for Research on Cancer

Prendre des mesures préventives:

Éviter l'inhalation et le contact avec la peau de la poussière, des vapeurs et des fumées.

L'utilisateur et les personnes présentes sur le site doivent porter des protections respiratoires appropriées telles que des masques spécialement prévus pour filtrer les particules microscopiques. (Voir OSHA 29 CFR Partie 1910.1200)

Couper si possible en utilisant le jet d'eau afin de réduire la poussière dispersée.

PRÉSENTATION

Cher client,

Nous vous remercions d'avoir choisi un produit Husqvarna ! Nous espérons que cette machine vous donnera toute satisfaction et qu'elle vous accompagnera pendant de longues années. L'achat de l'un des nos produits garantit une assistance professionnelle pour l'entretien et les réparations. Si la machine n'a pas été achetée chez l'un de nos revendeurs autorisés, demandez l'adresse de l'atelier d'entretien le plus proche.

Ce mode d'emploi est précieux. Veillez à ce qu'il soit toujours à portée de main sur le lieu de travail. En suivant les instructions qu'il contient (utilisation, révision, entretien etc.), il est possible d'allonger considérablement la durée de vie de la machine et d'augmenter sa valeur sur le marché de l'occasion. En cas de vente de la machine, ne pas oublier de remettre le manuel d'utilisation au nouveau propriétaire.

Plus de 300 ans d'innovation

Husqvarna AB est une entreprise suédoise qui a vu le jour en 1689 lorsque le roi Karl XI décida de construire un arsenal pour la fabrication des mousquets. À l'époque, les compétences en ingénierie à la base du développement de certains des produits leaders du marché mondial dans des domaines tels que les armes de chasse, les vélos, les motos, l'électroménager, les machines à coudre et les produits d'extérieur, étaient déjà solides.

Husqvarna est le premier fournisseur mondial de produits motorisés pour utilisation en extérieur dans la foresterie, l'entretien de parcs, de pelouses et de jardins, ainsi que d'équipements de coupe et d'outils diamant destinés aux industries de la construction et de la pierre.

Responsabilité du propriétaire

Il est de la responsabilité du propriétaire/de l'employeur de s'assurer que l'utilisateur possède les connaissances nécessaires pour manipuler la machine en toute sécurité. Les responsables et les utilisateurs doivent avoir lu et compris le Manuel d'utilisation. Ils doivent avoir conscience :

- Des instructions de sécurité de la machine.
- Des diverses applications de la machine et de ses limites.
- De la façon dont la machine doit être utilisée et entretenue.

La législation nationale peut réglementer l'utilisation de cette machine. Recherchez la législation applicable dans le lieu où vous travaillez avant d'utiliser la machine.

Droit de réserve du fabricant

Husqvarna peut éditer des informations complémentaires concernant l'utilisation de ce produit en toute sécurité après la publication du présent manuel. Il incombe au propriétaire de se tenir informé des méthodes d'utilisation les plus sûres.

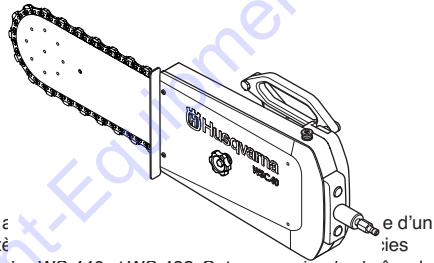
Husqvarna AB travaille continuellement au développement de ses produits et se réserve le droit d'en modifier, entre autres, la conception et l'aspect sans préavis.

Conception et propriétés

Les produits Husqvarna se distinguent par des valeurs telles que la haute performance, la fiabilité, la technologie innovante, les solutions techniques de pointe et les considérations environnementales. Pour utiliser ce produit en toute sécurité, l'utilisateur doit lire le manuel avec attention. Contactez votre revendeur Husqvarna pour obtenir de plus amples informations.

Certaines des caractéristiques uniques de votre produit sont décrites ci-dessous.

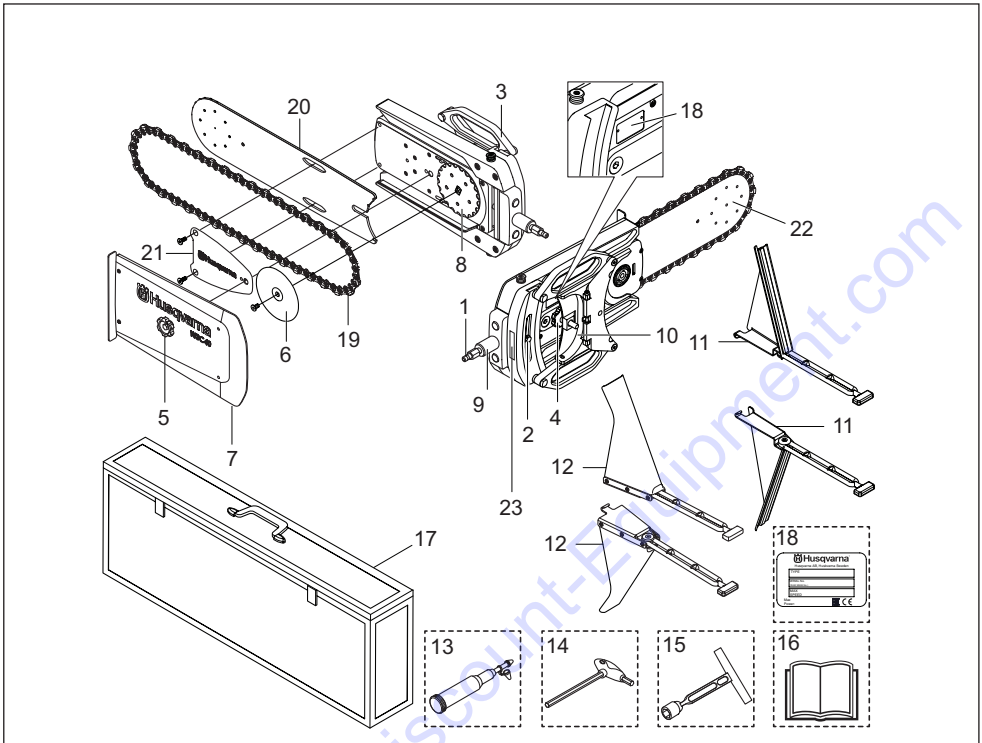
WSC 40



Cet accessoire de chaîne de scie murale WS 440 et WS 482. Cet accessoire de chaîne de scie murale est conçu pour découper des matériaux durs comme la pierre ou le béton armé. Il ne doit pas être utilisé pour les applications non décrites dans le présent manuel. Pour utiliser cette machine, une scie WS 440 ou WS 482 et un bloc d'alimentation haute fréquence Husqvarna sont nécessaires.

- Cet accessoire de chaîne de scie murale sert à éviter que les ouvertures ne soient découpées par le dessus.
- La machine permet de découper de petites ouvertures pour la ventilation, les tuyaux, etc.
- La vitesse de chaîne est contrôlable et réglable électriquement depuis la télécommande de l'unité électrique.
- Même alignement entre la chaîne et le rail, comme pour les scies WS 440 et WS 482 équipées d'une lame.
- Le sens de rotation de la chaîne peut être contrôlé à l'aide de la télécommande, qui permet de choisir la direction de la pulvérisation de l'eau.
- Grâce à sa conception compacte, légère et ergonomique, la machine se transporte aisément.
- Le logiciel spécifique à la scie WSC 40 est installé dans le bloc d'alimentation et ajuste automatiquement les mouvements du moteur d'alimentation afin de créer des coupes droites en plongée. Assurez-vous que la dernière version du logiciel est installée sur votre bloc d'alimentation.

QUELS SONT LES COMPOSANTS?



Quels sont les composants de la scie WSC 40 ?

- | | |
|--|--|
| 1 Raccord flexible, arrivée d'eau | 13 Pompe à graisse |
| 2 Vis de réglage d'angle | 14 Clé à six pans (5 mm) |
| 3 Poignée parallèle | 15 Clé à douille (13 mm) |
| 4 Bouton de verrouillage du harnais | 16 Manuel d'utilisation |
| 5 Bouton d'immobilisation | 17 Boîte de rangement |
| 6 Rondelle de serrage | 18 Plaque d'identification de la machine |
| 7 Carter de transmission | 19 Chaîne diamantée |
| 8 Pignon d'entraînement | 20 Guide-chaîne |
| 9 Bouton de réglage de la tension de la chaîne | 21 Plaque de serrage |
| 10 Poignée de serrage pour scie murale | 22 Roue avant |
| 11 Équipement pour coupe à ras | 23 Autocollant d'avertissement |
| 12 Protection anti-éclaboussures | |

ÉQUIPEMENT DE SÉCURITÉ DE LA MACHINE

Généralités

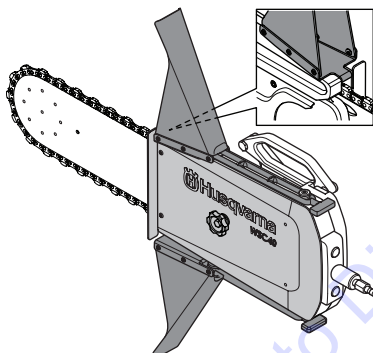
Ce chapitre présente les équipements de sécurité de la machine, leur fonction, comment les utiliser et les maintenir en bon état. Voir au chapitre Quels sont les composants? pour trouver leur emplacement sur la machine.



AVERTISSEMENT! Ne jamais utiliser une machine dont les équipements de sécurité sont défectueux. Les équipements de sécurité doivent être contrôlés et entretenus. Si l'équipement de sécurité ou n'importe quelle pièce de la machine est endommagé d'une quelconque manière, faites-le réparer dans un atelier d'entretien.

Capot et protections anti-projections

Lors du sciage, vous devez toujours utiliser le capot et les protections anti-projections.



Le capot et la protection anti-projections empêchent tout contact avec les pièces en mouvement ainsi qu'avec les projections de débris, d'eau et de boues de béton. Les protections anti-projections sont également conçues pour rattraper la chaîne diamantée en cas de rupture ou de déraillement.

Nous vous recommandons d'installer les deux protections anti-projections. Cependant, pour certaines opérations (sciage parallèle au sol ou au plafond), une protection anti-projections peut être retirée temporairement. La protection du côté des projections doit au moins être installée. Remettez la protection anti-projections en place après la découpe.

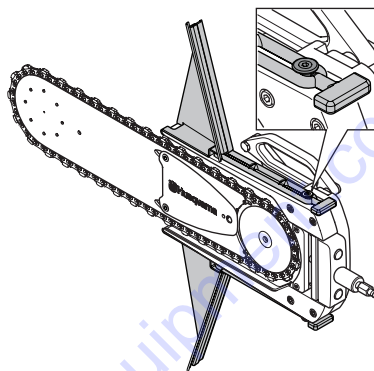
Contrôlez le capot et la protection anti-projections.

Assurez-vous que le capot et les protections ne présentent aucune fissure ni aucun trou dus aux projections de boue.

Remplacez le capot ou les protections s'ils sont endommagés.

Protections pour découpe à ras

Cette machine peut être utilisée pour les découpes à ras. Vous pouvez utiliser des protections spécialement conçues pour la découpe à ras. Ces protections ne sont autorisées que pour la découpe à ras.



Inspectez les protections et recherchez tout dommage ou toute trace d'usure. Assurez-vous que les protections ne sont pas endommagées. Remplacez les protections si nécessaire.

Bloc d'alimentation

Vérifiez l'équipement de sécurité du bloc d'alimentation fourni. Lisez le manuel d'utilisation du bloc d'alimentation.

Lisez également les instructions de sécurité et d'utilisation dans le manuel de l'opérateur avant d'utiliser la scie murale et le bloc d'alimentation.

CHAÎNES DIAMANTÉES

Généralités



AVERTISSEMENT! La rupture d'une chaîne peut occasionner des blessures graves si la chaîne est projetée vers l'opérateur. Un équipement de coupe défectueux ou une mauvaise combinaison chaîne et guide-chaîne augmentent le risque de rebond! N'utiliser que les combinaisons chaîne et guide-chaîne recommandées.

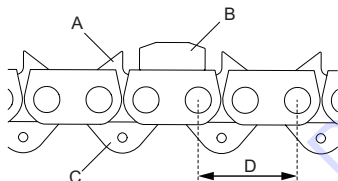


AVERTISSEMENT! Débranchez toujours le câble d'alimentation de l'unité de sciage avant l'installation, le nettoyage ou l'entretien. Toute négligence peut causer de graves blessures ou peut être fatale.



AVERTISSEMENT! Utiliser des gants pour toute manipulation de la chaîne.

- A) Maillon-entraîneur avec butoir
B) Maillon de coupe avec segment diamanté
C) Guide-chaîne



Pas de chaîne diamantée : pas = $D/2$

Cet appareil ne doit être utilisé qu'avec une chaîne à butoir double, étant donné que la machine peut fonctionner dans les deux sens de rotation.

Quand on utilise une chaîne à butoir double, la chaîne peut être placée dans un sens comme dans l'autre.

Contrôler la chaîne

- Contrôler que la chaîne ne comporte pas de signes d'endommagement tels que des maillons lâches, des limiteurs de profondeur, des maillons ou des segments rompus. Si la chaîne diamantée est endommagée, remplacez-la.
- Si la chaîne a été fortement bloquée ou exposée à toute autre surcharge anormale, elle doit être démontée du guide pour être soigneusement inspectée.

Contrôler la tronçonneuse

La tronçonneuse est équipée d'un certain nombre de dispositifs de sécurité qui protègent l'opérateur en cas de rupture de la chaîne. Ces dispositifs de sécurité doivent être contrôlés avant de commencer à travailler. Ne jamais

utiliser la tronçonneuse si les éléments suivants sont abîmés ou absents:

- Cache de transmission
- Chaîne endommagée
- Protection anti-projections endommagée ou manquante

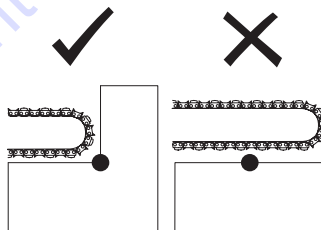
Matériau



AVERTISSEMENT! La scie à chaîne diamantée ne doit en aucun cas être convertie pour couper d'autres matériaux que ceux pour lesquels elle est destinée. Elle ne doit jamais être équipée d'une chaîne à bois.

Cette machine est conçue pour le sciage de béton, de brique et de divers autres matériaux à base de pierre. Elle n'est destinée à aucune autre utilisation.

La tronçonneuse ne doit jamais être utilisée pour la coupe de métaux purs – ceci provoquerait vraisemblablement une rupture du segment ou de la chaîne. Le segment en diamant accepte la découpe du béton armé. Essayez de couper l'armature avec le plus de béton possible afin d'épargner la chaîne.



Lustrage

Après avoir découpé du béton ou de la pierre extrêmement durs, le segment en diamant peut perdre tout ou partie de ses capacités de découpe. Cela peut également se produire si vous êtes obligés de couper à une pression partielle faible (la chaîne diamantée entre en contact avec la pièce à rainurer sur toute la longueur du guide-chaîne). La solution à ce problème est de changer le sens de rotation de la chaîne.

Transport et rangement

- Votre tâche de sciage une fois terminée, il convient de faire tourner la tronçonneuse à chaîne diamant avec la pression d'eau pendant au moins 15 secondes pour débarrasser le guide-chaîne, la chaîne et le mécanisme d'entraînement de toute particule. Rincer la machine à l'eau. Si la machine n'est pas utilisée pendant un certain temps, nous recommandons de lubrifier la chaîne et le guide-chaîne pour éviter toute corrosion.
- Vérifiez que l'équipement de coupe ne comporte aucun défaut causé lors du transport ou du remisage.

MONTAGE ET RÉGLAGES

Généralités



AVERTISSEMENT! Débranchez toujours le câble d'alimentation de l'unité de sciage avant l'installation, le nettoyage ou l'entretien. Toute négligence peut causer de graves blessures ou peut être fatale.

Montez les fixations murales et le rail

Montez le système conformément au manuel d'utilisation de la scie murale.

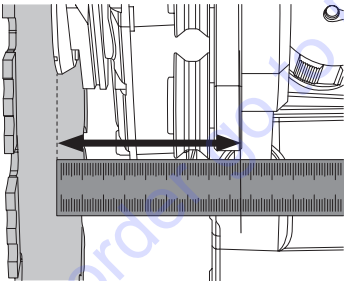
Montez le chariot de sciage et la scie

Montez le système conformément au manuel d'utilisation de la scie murale.

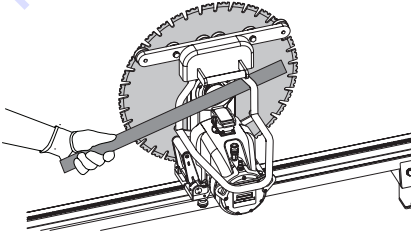
Vérification du parallélisme entre le guide du protège-lame et la lame.

Pour aligner la scie WSC 40 à la ligne de coupe, assurez-vous que la poignée de la scie murale ne s'est pas déformée.

- 1 Montez le guide du protège-lame sur le guide et mesurez la distance entre chacune des roues d'extrémité et la lame. La distance entre l'extérieur du guide roue et la lame doit être d'environ 102 ± 2 mm.



- 2 Si la différence est supérieure à 2 mm, retirez le guide et ajustez le cadre à l'aide d'une barre de fer pour rendre le guide parallèle à la lame.



Montez l'accessoire de chaîne de sciage mural.

IMPORTANT! Conservez toujours la machine dans la boîte prévue à cet effet lorsque vous ne l'utilisez pas.



AVERTISSEMENT! Protégez-vous les mains avec des gants.



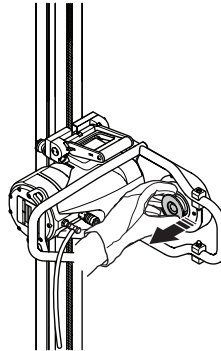
AVERTISSEMENT! Afin d'éviter tout imprévu, une seule personne doit se charger de la procédure de montage de la machine.



AVERTISSEMENT! Risque de blessures par écrasement ! Tenez la machine fermement.

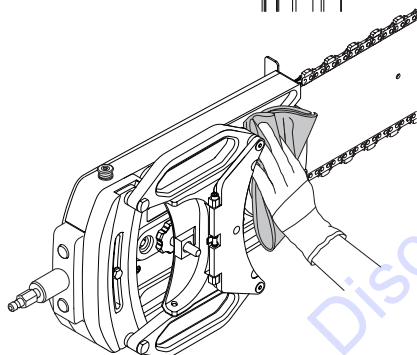
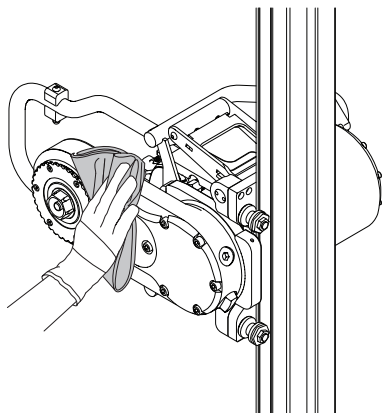
IMPORTANT! Veillez à ce que le sol reste propre lors du montage. Assurez-vous qu'aucun objet ne vous gêne.

- 1 Déposez la lame et la bride de lame conformément au manuel d'utilisation de la scie murale.
- 2 Assurez-vous que le moyeu d'axe est en position extérieure. Il n'est pas possible d'attacher la scie WSC 40 si l'arbre hexagonal est en position intérieure.

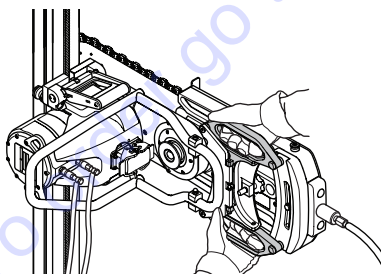


MONTAGE ET RÉGLAGES

- 3 Assurez-vous que les surfaces de la machine et de la tête de scie sont propres.

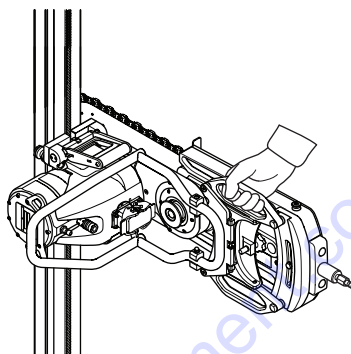


- 4 Utilisez vos deux mains pour extraire la machine de la boîte de rangement à l'aide de la poignée parallèle.

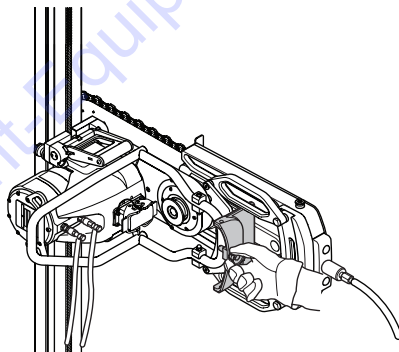


- 5 Faites glisser la scie WSC 40 le long du bras de scie mural. Poussez sur l'arbre hexagonal tout en déplaçant précautionneusement l'unité autour du centre afin d'aligner l'arbre. L'arbre devrait désormais être en position verrouillée intermédiaire. Vérifiez-le en tirant sur l'accessoire de chaîne de scie mural.

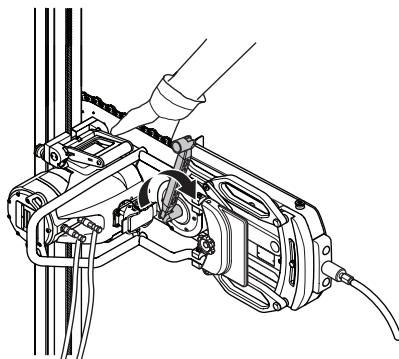
- Assurez-vous que la machine est verrouillée sur le bras de scie.



- 6 Repliez la cale qui verrouille l'accessoire sur la poignée. Serrez le bouton de verrouillage.

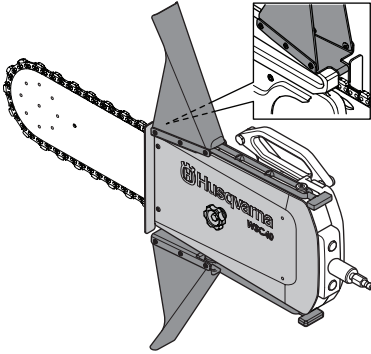


- 7 Serrez la machine au niveau de la tête de scie à l'aide du boulon situé dans le moyeu d'axe. Placez une main sur la chaîne pour une meilleure résistance. N'oubliez pas de porter des gants. Utilisez la clé de 18 mm fournie dans la boîte à outils. Utilisez un couple de serrage de 70-80 Nm (52-59 lb.pi).

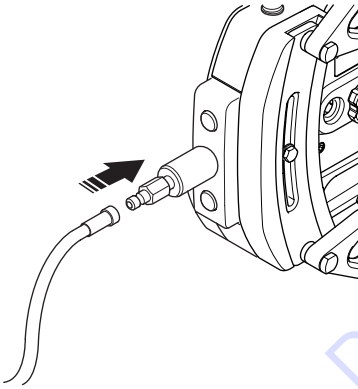


MONTAGE ET RÉGLAGES

8 Montez les protections anti-projections.



9 Branchez le tuyau d'eau.



AVERTISSEMENT! Vérifiez que le montage est correct avant de brancher le câble d'alimentation.

Pose de la chaîne diamantée



AVERTISSEMENT! Ne montez ni démontez jamais l'outil ou les protections sans avoir préalablement débranché le câble d'alimentation de l'unité de sciage. Toute négligence peut causer de graves blessures ou peut être fatale.



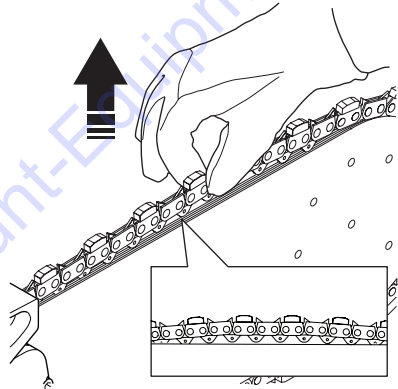
AVERTISSEMENT! Soyez prudent lors du montage de l'accessoire de chaîne de sciage mural afin qu'il ne se desserre pas lors de la coupe. Toute négligence peut causer de graves blessures ou peut être fatale.

Comment tendre la chaîne diamantée

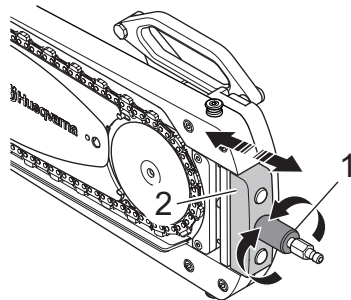


AVERTISSEMENT! Une tension insuffisante de la chaîne diamantée augmente le risque que la chaîne saute et donc de blessures graves, voire mortelles.

La bonne tension de la chaîne diamantée pour cette machine n'est pas la même que pour les autres tronçonneuses. Pour que la chaîne soit parfaitement tendue, elle doit être proche du guide-chaîne et former un cercle parfait autour de celui-ci. Après le réglage de la tension, il est toujours possible de relever la chaîne de sorte que les guide-chaînes soient parallèles, ce qui facilite les ajustements de la chaîne.



Desserrez la vis de la rondelle de serrage par derrière à l'aide d'une clé à douille de 13 mm. Pour régler la tension de la chaîne, utilisez le bouton de réglage prévu à cet effet.



Montage de la protection anti-projections

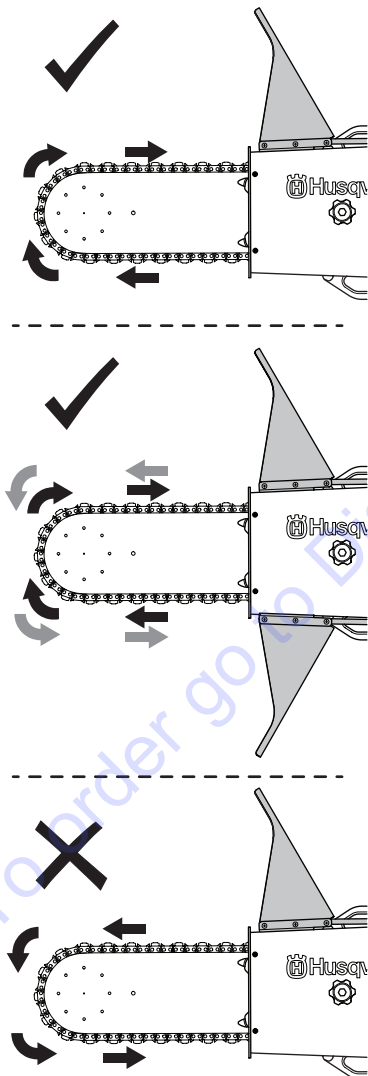
La protection anti-projections de l'équipement de coupe doit être montée sur les côtés de la machine à l'aide de sangles en caoutchouc. Les projections et les étincelles

MONTAGE ET RÉGLAGES

du matériau découpé sont alors recueillies par la protection et dirigées loin de l'utilisateur.

Étant donné qu'il est possible de sélectionner le sens de rotation de la chaîne diamantée, la direction du jet d'arrosage de la chaîne peut également être réglée, quelle que soit l'orientation de la scie sur le rail.

Que la scie soit utilisée pour la découpe à ras ou la découpe normale, les protections anti-projections sont montées dans le sens de rotation de la chaîne.



Branchez le groupe moteur



AVERTISSEMENT! Ce produit est conçu uniquement pour être utilisé avec les blocs d'alimentation Husqvarna de la série PP 400. Toute autre utilisation est interdite.

Veillez parcourir le manuel fourni avec le groupe moteur avant de commencer à utiliser la machine.

La puissance maximale de l'unité s'élève à 9,2 kW ; le mode 16 A s'affiche donc lors de l'utilisation de la scie WSC 40 avec un bloc d'alimentation PP 480 ou PP 490. Ce réglage s'effectue automatiquement lorsque le mode chaîne est sélectionné à distance. Vérifiez que le bloc d'alimentation a été mis à jour avec le logiciel le plus récent.

Démontez l'accessoire.



AVERTISSEMENT! Débranchez toujours le câble d'alimentation de l'unité de sciage avant l'installation, le démontage, le nettoyage ou l'entretien. Toute négligence peut causer de graves blessures ou peut être fatale.

- 1 Débrancher le câble électrique d'entrée et le flexible d'arrivée d'eau.
- 2 Déposez les protections anti-projections.
- 3 Placez une main sur la chaîne afin d'éviter qu'elle ne bouge et desserrez le boulon situé dans le moyeu d'axe à l'aide de la clé de 18 mm. Dévissez le boulon et assurez-vous que le moyeu d'axe est en position intermédiaire.
- 4 Tenez fermement le raccord d'eau sur la scie WSC 40. Dévissez le bouton de verrouillage situé sur la cale de blocage. Repliez la cale de blocage pour fixer les poignées parallèles.
- 5 Tenez fermement la poignée parallèle avec votre main libre. Placez le moyeu d'axe du bras de scie mural en position extérieure. Déposez la machine.
- 6 Conservez toujours la machine dans la boîte prévue à cet effet lorsque vous ne l'utilisez pas.

TO PURCHASE THIS PRODUCT PLEASE CONTACT US



**Equipment Financing and
Extended Warranties Available**



**Discount-Equipment.com is your online resource for
commercial and industrial quality parts and equipment sales.**

561-964-4949

visit us on line @ www.discount-equipment.com

Select an option below to find your Equipment

Search by Manufacturer

Search by Product Type

Request a Quote

We sell worldwide for the brands: Genie, Terex, JLG, MultiQuip, Mikasa, Essick, Whiteman, Mayco, Toro Stone, Diamond Products, Generac Magnum, Airman, Haulotte, Barreto, Power Blanket, Nifty Lift, Atlas Copco, Chicago Pneumatic, Allmand, Miller Curber, Skyjack, Lull, Skytrak, Tsurumi, Husquvarna Target, Stow, Wacker, Sakai, Mi-T-M, Sullair, Basic, Dynapac, MBW, Weber, Bartell, Bennar Newman, Haulotte, Ditch Runner, Menegotti, Morrison, Contec, Buddy, Crown, Edco, Wyco, Bomag, Laymor, EZ Trench, Bil-Jax, F.S. Curtis, Gehl Pavers, Heli, Honda, ICS/PowerGrit, IHI, Partner, Imer, Clipper, MMD, Koshin, Rice, CH&E, General Equipment, Amida, Coleman, NAC, Gradall, Square Shooter, Kent, Stanley, Tamco, Toku, Hatz, Kohler, Robin, Wisconsin, Northrock, Oztec, Toker TK, Rol-Air, APT, Wylie, Ingersoll Rand / Doosan, Innovatech, Con X, Ammann, Mecalac, Makinex, Smith Surface Prep, Small Line, Wanco, Yanmar

Équipement de protection

Généralités

Ne jamais utiliser une machine s'il n'est pas possible d'appeler au secours en cas d'accident.

Équipement de protection personnelle

Un équipement de protection personnelle homologué doit impérativement être utilisé lors de tout travail avec la machine. L'équipement de protection personnelle n'élimine pas les risques mais réduit la gravité des blessures en cas d'accident. Demander conseil au concessionnaire afin de choisir un équipement adéquat.



AVERTISSEMENT! L'utilisation de produits tels que des ciseaux, des disques, des forets, des disques fins ou des formes peut générer de la poussière et des vapeurs pouvant contenir des substances chimiques toxiques. Vérifiez la composition du matériel avec lequel vous travaillez et portez un masque respiratoire adapté.

Une exposition prolongée au bruit risque de causer des lésions auditives permanentes. Toujours utiliser des protecteurs d'oreille agréés. Soyez toujours attentifs aux signaux d'alerte ou aux appels en portant des protège-oreilles. Enlevez-les sitôt le moteur arrêté.

Le risque de coincement est toujours présent lors de travail avec des produits comportant des éléments mobiles. Utiliser des gants de protection pour éviter les blessures personnelles.

Toujours utiliser:

- Casque de protection homologué
- Protecteur d'oreilles
- Des protège-yeux homologués. L'usage d'une visière doit toujours s'accompagner du port de lunettes de protection homologuées. On entend celles qui sont en conformité avec les normes ANSI Z87.1 (États-Unis) ou EN 166 (pays de l'UE). La visière doit être conforme à la norme EN 1731.
- Masque respiratoire
- Gants solides permettant une prise sûre.
- Vêtements confortables, robustes et serrés qui permettent une liberté totale de mouvement. Ne portez pas de shorts
- Bottes avec coquille en acier et semelle antidérapante
- Attention! Les habits, les cheveux longs et les bijoux peuvent se coincer dans les parties en mouvement.

Autre équipement de protection



AVERTISSEMENT! Lorsque vous travaillez avec la machine, des étincelles peuvent se former et mettre le feu. Gardez toujours à portée de main les outils nécessaires à l'extinction d'un feu.

- Extincteur
- Trousse de premiers secours

Instructions générales de sécurité



AVERTISSEMENT! Veuillez lire tous les avertissements et les instructions de sécurité. Le non-respect des consignes et mises en garde peut être à l'origine d'un choc électrique, d'un incendie et/ou de blessures graves.

Le présent chapitre décrit les consignes de sécurité de base relatives à l'utilisation de la machine. Aucune de ces informations ne peut remplacer l'expérience et le savoir-faire d'un professionnel. Si vous êtes confronté à une situation où vous pensez ne pas être en sécurité, arrêtez immédiatement et consultez un spécialiste. Veuillez contacter votre revendeur, votre atelier de réparation ou un utilisateur expérimenté. Il convient d'éviter tous les travaux pour lesquels vous ne vous sentez pas suffisamment qualifié !

- Lire attentivement et bien assimiler le manuel d'utilisation avant d'utiliser la machine.
- Veuillez parcourir le manuel fourni avec le groupe moteur avant de commencer à utiliser la machine.
- Cette machine est conçue uniquement pour être utilisée avec une scie Husqvarna WS 440 ou WS 482. Toute autre utilisation est interdite.
- La machine peut provoquer des blessures personnelles graves. Lire attentivement les consignes de sécurité. Apprendre à bien utiliser la machine.
- N'oubliez pas que l'opérateur est responsable des accidents ou dangers aux tiers et à leurs biens.
- Tous les opérateurs doivent recevoir une formation sur l'utilisation de la machine. Il incombe au propriétaire de garantir que les opérateurs reçoivent une formation.
- La machine doit rester propre. Les signes et autocollants doivent être parfaitement lisibles.
- Conserver toutes ces consignes et instructions pour toute consultation ultérieure.

COMMANDE



AVERTISSEMENT! La machine utilisée de manière imprudente ou inadéquate peut devenir un outil dangereux, pouvant causer des blessures graves voire mortelles à l'utilisateur et aux autres personnes présentes.

Ne jamais permettre à des enfants ou à des personnes ne possédant pas la formation nécessaire d'utiliser ou d'entretenir la machine.

Ne jamais laisser d'autres personnes utiliser la machine sans s'être assuré au préalable que ces personnes ont bien compris le contenu du mode d'emploi.



AVERTISSEMENT! Toute modification non autorisée et/ou tout emploi d'accessoires non homologués peuvent provoquer des accidents graves voire mortels pour l'utilisateur et les autres.

Ne modifiez jamais cette machine de façon à ce qu'elle ne soit plus conforme au modèle d'origine et n'utilisez jamais une machine qui semble avoir été modifiée.

N'utilisez jamais une machine, une batterie ou un chargeur de batterie défectueux. Suivez les instructions de contrôle, de maintenance et d'entretien indiquées dans ce manuel. Certaines opérations de maintenance et d'entretien doivent être réalisées par un spécialiste dûment formé et qualifié. Voir les instructions du chapitre Entretien.

N'utiliser que des pièces de rechange d'origine.

Utilisez toujours votre bon sens

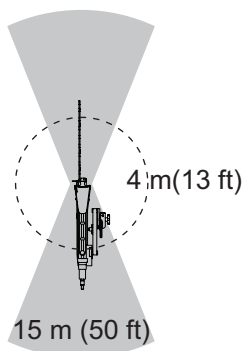
Il est impossible de mentionner toutes les situations auxquelles vous pouvez être confronté. Soyez toujours vigilant et utilisez l'appareil avec bon sens.

Si vous êtes confronté à une situation où vous pensez ne pas être en sécurité, arrêtez immédiatement et consultez un spécialiste. Veillez contacter votre revendeur, votre atelier de réparation ou un utilisateur expérimenté. Il convient d'éviter tous les travaux pour lesquels vous ne vous sentez pas suffisamment qualifié !

Sécurité dans l'espace de travail

- Lors de la découpe, vérifiez toujours l'arrière du mur, à l'endroit où le guide-chaîne et la chaîne diamantée transpercent le matériau. Fixez, délimitez et assurez-vous que personne ne peut être blessé et qu'aucun matériau ne peut être endommagé.
- Contrôlez toujours et marquez les emplacements des conduites de gaz. Scier près d'une conduite de gaz est toujours synonyme de danger. Veillez à éviter la formation d'étincelles lors du sciage en raison d'un certain risque d'explosion. L'opérateur doit toujours être attentif et concentré sur son travail. La négligence peut causer des blessures personnelles graves voire mortelles.
- Assurez-vous qu'aucun tuyau ou câble électrique ne passe par la zone de travail ou dans le matériau à découper.
- Assurez-vous qu'aucun câble électrique sous tension ne se trouve dans la zone de travail.
- Veiller à ce qu'aucune personne non autorisée ne se trouve dans la zone de travail pour éviter le risque de blessures graves. Distance de sécurité: 15 mètres (50 ft.).
- Ne pas travailler par mauvais temps: brouillard épais, pluie diluvienne, vent violent, grand froid, etc.
- Travailler par mauvais temps est fatiguant et peut créer des conditions de travail dangereuses telles que le verglas.
- S'assurer que l'éclairage de la zone de travail est suffisant pour que l'environnement de travail soit de toute sécurité.
- Toujours adopter une position de travail sûre et stable.

La zone de risque de la machine



AVERTISSEMENT! Veiller à ce qu'aucune personne non autorisée ne se trouve dans la zone de travail pour éviter le risque de blessures graves. Distance de sécurité: 15 mètres (50 ft.).

COMMANDE



AVERTISSEMENT! Lors de l'utilisation de la machine; la distance de sécurité minimale entre l'opérateur et les parties mobiles est de 4 mètres (13 ft). L'opérateur doit toujours se trouver dans une trajectoire diagonale derrière la tronçonneuse pour éviter que certaines parties de la machine ne le heurtent. Redoublez de prudence lors de la mise en marche de la machine, lorsque la scie pénètre dans le matériau.

IMPORTANT! Quiconque ne porte pas l'équipement de protection décrit ci-dessus ne doit pas être autorisé à pénétrer dans la zone de risque de projection de matériaux.

Sécurité électrique

Lisez les sections relatives à la sécurité électrique des manuels de la scie murale et du bloc d'alimentation utilisé.



AVERTISSEMENT! Ne lavez pas la machine avec de l'eau sous pression. Celle-ci pourrait s'infiltrer dans le système électrique ou le moteur et endommager la machine ou provoquer un court-circuit.

Sécurité du personnel

- Ne laissez jamais la machine sans surveillance avec le moteur en marche.
- Ne jamais scier de façon telle que vous ne pouvez atteindre facilement le bouton d'arrêt d'urgence, que ce soit sur la commande à distance ou sur le groupe moteur. Voir le manuel du groupe moteur.
- Lors de l'utilisation des machines, prévoyez toujours une personne à proximité afin de pouvoir obtenir de l'aide en cas d'accident.
- Les personnes devant se tenir à proximité de la machine doivent porter l'équipement de protection requis, incluant des protecteurs d'oreille, car le niveau sonore lors du sciage dépasse 85 dB(A).
- Faites preuve de prudence en cas de levage. Le maniement de pièces lourdes implique un risque de coinçage ou autre blessure.
- Des personnes ou des animaux peuvent détourner l'attention de l'opérateur et l'amener à perdre le contrôle de la machine. C'est pourquoi l'opérateur doit toujours être attentif et concentré sur son travail.
- Attention! Les habits, les cheveux longs et les bijoux peuvent se coincer dans les parties en mouvement.
- **Retirez toute clé ou clavette de calage avant de mettre la machine à usiner sous tension.** Une clé ou une clavette reliée à une pièce mobile de la

machine à usiner peut entraîner des blessures corporelles.

- Ne laissez jamais la machine sans surveillance avec le moteur en marche.
- Risque d'écrasement. Si elle n'est pas montée correctement, la machine peut tomber et blesser l'opérateur.
- Faites preuve de prudence en cas de levage. Le maniement de pièces lourdes implique un risque de coinçage ou autre blessure.

Utilisation et entretien

- Ne montez ni démontez jamais l'outil ou les protections sans avoir préalablement débranché le câble d'alimentation électrique de l'unité de sciage.
 - Ne jamais débrancher le câble d'alimentation électrique sans avoir préalablement éteint le groupe moteur et attendu que le moteur s'arrête complètement.
 - Ne découpez jamais sans utiliser les protections appropriées.
 - Contrôler que la chaîne n'est pas en contact avec quoi que ce soit quand la machine est démarrée.
 - Lors de l'utilisation de la machine; la distance de sécurité minimale entre l'opérateur et les parties mobiles est de 4 mètres (13 ft). L'opérateur doit toujours se trouver dans une trajectoire diagonale derrière la tronçonneuse pour éviter que certaines parties de la machine ne le heurtent.
 - Toujours utiliser le refroidissement par eau. Ceci permet de refroidir la chaîne et le guide-chaîne, d'augmenter leur durée de vie et de réduire la formation de poussière.
 - Vérifiez que tous les couplages, raccordements et câbles sont intacts et qu'ils sont propres.
 - Avant le sciage, toutes les entailles doivent être marquées clairement et planifiées de manière à pouvoir être effectuées sans danger pour les personnes ou la machine.
 - Immobilisez ou ancrez solidement les blocs de béton avant de scier. En raison de son poids, le matériau coupé peut causer des dommages importants à la machine et blesser gravement des personnes si son déplacement n'est pas fait dans des conditions contrôlées.
- ## Transport et rangement
- Débranchez toujours le câble électrique avant de déplacer l'équipement.
 - Démontez la lame et le protège-lame avant le transport ou le remisage.
 - Stockez l'équipement dans un endroit verrouillé afin de le maintenir hors de portée des enfants et de toute personne incompétente.

COMMANDE

- S'il y a un risque de gel, la machine doit être vidangée de toute eau de refroidissement restante.
- Utilisez les boîtes fournies pour le remisage de l'équipement.

Techniques de travail de base



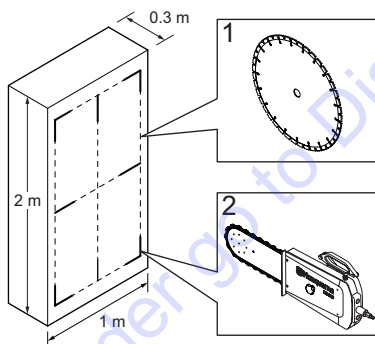
AVERTISSEMENT! La méthode de travail adaptée à la scie WSC 40 n'est applicable que pour ce produit. N'adaptez jamais ces méthodes de travail à d'autres équipements.



AVERTISSEMENT! Utilisez toujours une lame aux segments plus larges que les segments de la chaîne. Cela est extrêmement important si vous souhaitez utiliser une machine portable pour terminer la découpe. Ne tenez pas compte de cette instruction si vous utilisez une machine guidée par rail telle que la scie WSC 40.

Commencez la découpe à la scie murale avec la lame (1), conformément à l'illustration. Utilisez ensuite l'accessoire de chaîne de sciage mural (2), conformément à l'illustration.

La découpe s'effectue conformément à l'illustration :



Engagez la lame à une profondeur comprise entre 3 et 7 cm (1,2' - 2,8'). Sciez la rainure de guidage afin d'obtenir une découpe droite ainsi qu'une base pour la découpe suivante. La découpe doit être effectuée avec soin. Le bras pivotant permet l'utilisation de lames pouvant atteindre 1 000 mm (40') en tant que lame de démarrage. Toutefois, il est recommandé de commencer la découpe à l'aide d'une lame de 800 mm (31,5').

- Lorsque l'entaille de guidage est prête, des entailles plus profondes peuvent être sciées. La profondeur de ces entailles est déterminée au cas par cas et dépend de facteurs tels que la dureté du béton, la présence de fer d'armature, etc.
- Si vous changez de lame pour poursuivre une découpe dans la même entaille, veillez à ce que

l'épaisseur de la lame corresponde à la largeur de l'entaille.

- Laissez travailler la machine sans essayer de forcer ni d'enfoncer la lame.

Lorsque les découpes à l'aide de la lame sont terminées, remplacez la lame par l'accessoire de chaîne de sciage mural et découpez le matériau restant pour obtenir des angles bien affûtés.

Si vous découpez du béton fortement armé ou des agrégats durs, commencez par la découpe A à moins 50 mm (2") de l'angle. Consultez le tableau des surcoupes pour les mesures A.

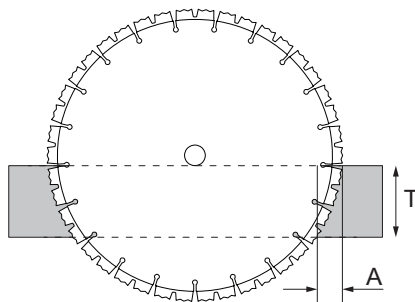
REMARQUE! Lors de l'utilisation de l'accessoire de chaîne de sciage mural, réglez la télécommande sur le mode chaîne.

Engagez l'accessoire de chaîne de sciage mural vers l'intérieur du mur et découpez à l'aide de la roue avant. Le logiciel règle automatiquement l'engagement longitudinal afin d'effectuer la découpe au moyen de la roue avant. Lorsque la découpe commence, assurez-vous qu'il y a suffisamment de place pour le chariot de scie à l'extrémité du rail (choisissez le bon sens de rotation du bras).

REMARQUE! Assurez-vous que le mode chaîne est sélectionné sur la télécommande. Si ce n'est pas le cas, l'outil subira une usure excessive.

Coupe supérieure

La longueur de surcoupe dépend de l'épaisseur du mur et de l'usure de la lame.

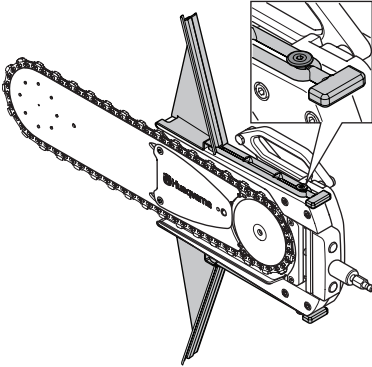


Dimension de la lame	800 mm/32"	1000 mm/40"
T (mm/inch)	A (surcoupe en mm/pouces)	
200/8	100/4	80/3
250/10	160/6	120/5
300/12	250/10	160/6
14/350	-	230/9
16/400	-	335/13

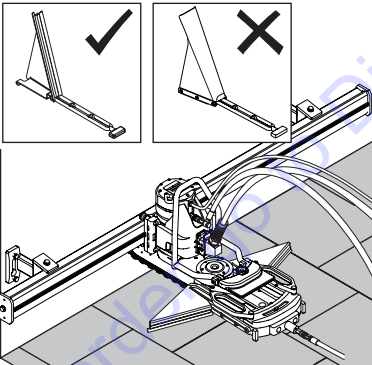
COMMANDE

Découpe à ras

En cas de découpe normale, déposez les protections anti-projections et le capot de transmission. Remplacez les protections anti-projections par les protections fournies pour la découpe à ras.



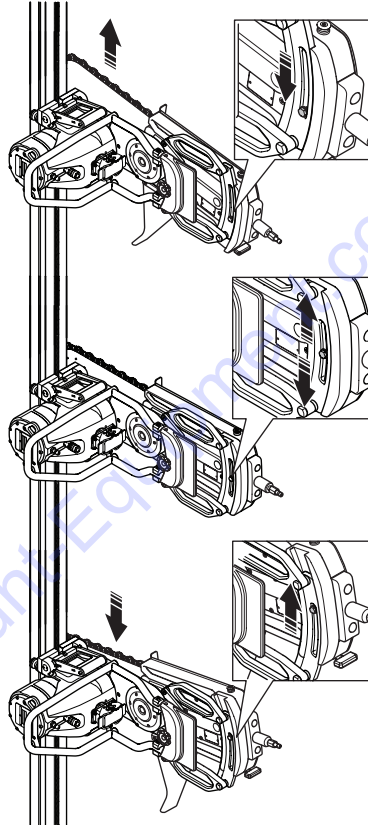
Nous vous recommandons d'installer les deux protections pour découpe à ras. Cependant, pour certaines opérations (sciage parallèle au sol ou au plafond), une protection peut être retirée temporairement. La protection du côté de la chaîne doit au moins être installée. Après la découpe, remplacez la protection originale.



Réglage de l'angle

L'angle est réglé pour réaliser une découpe parfaite dans les angles proches du plafond, du mur ou du sol. Réglez l'angle en position maximale. Le sens de fonctionnement dépend de la découpe.

Desserrez la vis et ajustez l'angle.



AVERTISSEMENT! Serrez toujours la vis à un couple de serrage de 20 Nm (15 lb.pi).

Vitesse de chaîne recommandée

Pour de meilleures performances de coupe, utilisez une vitesse de coupe de 28 m/s (92 pi/s) pour les bétons tendres et moyennement durs.

Si vous utilisez la scie WS 482, assurez-vous que la vitesse mécanique 2 est engagée pour que la vitesse de chaîne s'affiche correctement.

REMARQUE! Une découpe à un régime trop faible peut endommager la chaîne et le guide-chaîne. Vérifiez que la bonne vitesse mécanique est sélectionnée. Pour une coupe dans du béton dur, il convient d'utiliser une vitesse de chaîne inférieure à celle utilisée pour une coupe dans du béton moins dense.

DÉMARRAGE ET ARRÊT

Avant le démarrage

- Fermez la zone de sciage afin que les personnes non autorisées ne risquent pas d'être blessées ou de déranger l'opérateur.
- Vérifiez la lame et le protège-lame afin de détecter d'éventuels dommages ou fissures. Remplacez la lame ou le protège-lame s'ils ont subi des coups ou s'ils présentent des fissures.
- Assurez-vous que la chaîne, le guide-chaîne et les protections de chaîne ne sont ni endommagés ni fissurés. Remplacez-les s'ils présentent des impacts ou des fissures.
- Vérifiez que tous les câbles et l'arrivée d'eau sont correctement branchés sur la machine avant de la démarrer.

Démarrage

Suivez les instructions de démarrage du manuel fourni avec le groupe moteur.

REMARQUE! Assurez-vous que le mode d'entraînement adapté à la scie WSC 40 est sélectionné dans la télécommande. Si ce n'est pas le cas, la chaîne et le guide-chaîne subiront une usure excessive.

IMPORTANT! Assurez-vous que la dernière version du logiciel est installée sur votre bloc d'alimentation et sur votre télécommande. Le centre d'entretien Husqvarna peut vous fournir la dernière version du logiciel.

Si vous utilisez une scie murale WS 482, sélectionnez la vitesse mécanique 2.

Sélectionnez le mode d'entraînement.

Les modes d'entraînement sont modifiés dans la télécommande fournie avec la scie murale. Alternez entre la lame et l'accessoire de chaîne de sciage mural en appuyant sur les flèches vers le haut et vers le bas.

Le bloc d'alimentation peut afficher plus d'options. Assurez-vous que vous avez choisi le mode adapté à l'outil en cours d'utilisation.

Si le mauvais mode d'entraînement est choisi, les outils peuvent subir une usure excessive.

Calibration

Si l'accessoire de chaîne de sciage mural ne découpe pas en ligne droite dans le mur, vous devriez calibrer de nouveau les capteurs de position.

- 1 Utilisez la rotation du bras pour déplacer la scie en position extérieure. Les deux poignées doivent absolument être parallèles.
- 2 Appuyez sur Menu, sélectionnez Calibrer la position du bras et appuyez sur OK. La position est désormais calibrée.

Pour plus de détails, consultez le manuel d'utilisation du bloc d'alimentation Husqvarna.

Arrêt

- Une fois la découpe terminée, retirez le guide-chaîne de la scie WSC 40 du mur et stoppez la rotation de la lame ainsi que le débit d'eau.
- Éteignez le groupe moteur.

Démontage de la scie

- 1 Laissez le moteur s'arrêter complètement.
- 2 Coupez l'alimentation électrique du groupe moteur.
- 3 Éteignez et retirez le raccordement d'arrivée d'eau au groupe moteur.
- 4 Retirez le câble électrique et le flexible d'eau de l'unité de sciage.
- 5 Les autres étapes du démontage s'effectuent comme celle du montage mais dans l'ordre inverse.

Nettoyage

Une fois le sciage terminé, la scie doit être nettoyée. Il est important que tout l'équipement de sciage soit nettoyé.

IMPORTANT! N'utilisez pas de nettoyeur haute pression pour le nettoyage de la scie.

Transport et rangement

Veillez à toujours éteindre le groupe moteur et à débrancher le câble électrique avant de déplacer l'équipement.

Démontez les protections anti-projections avant le transport ou le stockage.

Stockez l'équipement dans un endroit verrouillé afin de le maintenir hors de portée des enfants et de toute personne incompétente.

S'il y a un risque de gel, la machine doit être vidangée de toute eau restante.

Utilisez les boîtes fournies pour le remisage de l'équipement.

ENTRETIEN

Généralités



AVERTISSEMENT! L'utilisateur ne peut effectuer que les travaux d'entretien et de révision décrits dans ce manuel d'utilisation. Les mesures plus importantes doivent être effectuées dans un atelier d'entretien agréé.

Les contrôles et les entretiens doivent être effectués le moteur à l'arrêt et la prise électrique débranchée.

Utiliser les équipements de protection personnelle. Voir au chapitre "Équipement de protection personnelle".

La durée de vie de la machine risque d'être écourtée et le risque d'accidents accru si la maintenance de la machine n'est pas effectuée correctement et si les mesures d'entretien et/ou de réparation ne sont pas effectuées de manière professionnelle. Pour obtenir de plus amples informations, contacter l'atelier de réparation le plus proche.

Faites régulièrement contrôler la machine par votre revendeur Husqvarna afin qu'il procède aux installations et réparations adéquates.

Réalisez toujours vos travaux d'entretien ou de réparation dans un environnement bien rangé, sans débris au sol.

Schéma d'entretien

Le calendrier de maintenance vous indique quelles pièces de la machine nécessitent un entretien et à quelle fréquence cet entretien doit avoir lieu. La fréquence est calculée en fonction de l'utilisation quotidienne de la machine, et peut varier en fonction du degré d'utilisation.

	Entretien Quotidien	Pour chaque mètre carré de sciage
Nettoyage	Nettoyage extérieur	
Graissage	Pulvérisez la chaîne et le guide-chaîne avec de l'huile.	Graissez le guide-chaîne en 2 ou 3 temps au niveau du point de lubrification.
	Graissez le guide-chaîne. Répétez cette opération au niveau du point de lubrification jusqu'à ce que le guide-chaîne soit recouvert de graisse.	
Contrôle fonctionnel	Inspection générale	
	Système d'eau	
	Capot et protection anti-projections	
	Guide-chaîne, chaîne diamantée et pignon d'entraînement	

Nettoyage

Nettoyage extérieur

Une fois la découpe terminée, l'accessoire de chaîne de sciage mural doit être nettoyé. Utilisez la brosse de nettoyage fournie avec la scie murale et branchez-la au tuyau d'eau. Nettoyez tous les équipements du système.



AVERTISSEMENT! Ne nettoyez pas la machine à l'air comprimé.

Contrôle fonctionnel

Inspection générale



AVERTISSEMENT! N'utilisez jamais de câbles endommagés car ils peuvent entraîner des blessures graves, voire mortelles.

- S'assurer que toutes les vis et tous les écrous sont bien serrés.
- Vérifiez que toutes les surfaces sont propres.
- Inspectez le capot et les protections anti-projections et recherchez tout dommage ou toute trace d'usure.
- Contrôlez l'usure du pignon d'entraînement.
- Inspectez la chaîne et le guide-chaîne et recherchez tout dommage ou toute trace d'usure.
- Contrôlez la tension de la chaîne.
- Vérifiez la fonction de tension de la chaîne.
- Vérifier régulièrement le degré d'usure du pignon. Le remplacer en cas d'usure excessive.

Démontez la machine avant la vérification.

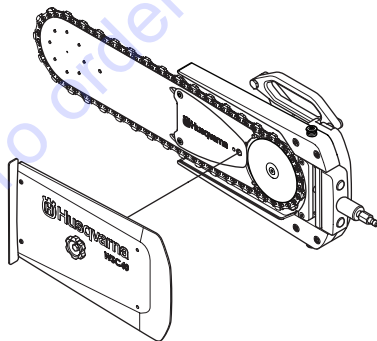


AVERTISSEMENT! Débranchez toujours le câble d'alimentation de l'unité de sciage avant l'installation, le démontage, le nettoyage ou l'entretien.

- 1 Débranchez les tuyaux d'eau de l'unité de sciage et accrochez-les à l'endroit prévu sur le chariot de transport.

Débranchez les flexibles d'eau de l'unité de sciage et suspendez-les à l'emplacement qui leur est réservé sur le chariot ou la boîte de transport.

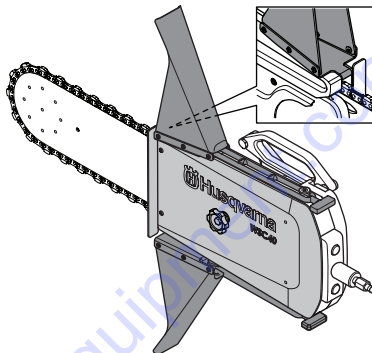
- 2 Déposez les protections anti-projections.
- 3 Dévissez le boulon de la poignée et retirez le capot.



Capot et protections anti-projections

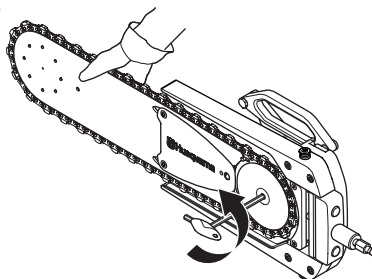
Contrôlez le capot et la protection anti-projections.

Assurez-vous que le capot de transmission et la protection anti-projections ne présentent aucune fissure ni aucun trou dus aux projections de boue. Remplacez le carter ou la protection s'ils sont endommagés.

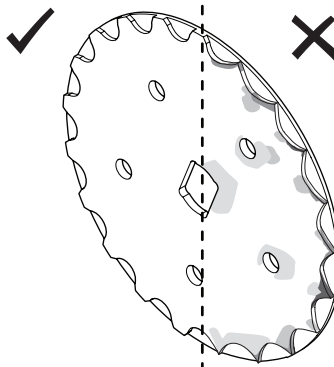


Pignon d'entraînement

- 1 Tenez la chaîne d'une main et dévissez la vis à l'aide de la clé à six pans fournie. Déposez la rondelle de serrage.

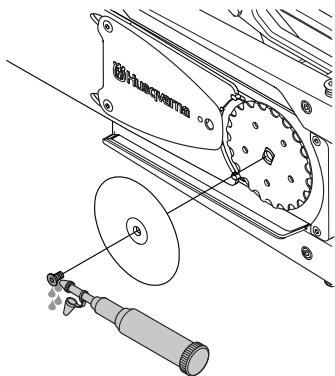


- 2 Vérifier régulièrement le degré d'usure du pignon. Le remplacer en cas d'usure excessive.

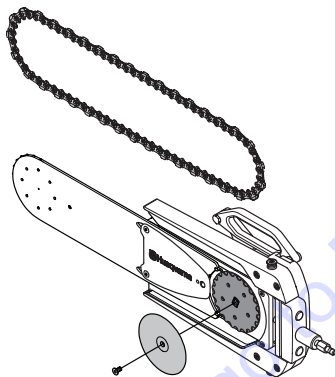


ENTRETIEN

- 3 Une fois le pignon d'entraînement desserré, la vis, les filetages et la tête de boulon doivent être graissés. La vis se desserrera si elle n'est pas graissée correctement.

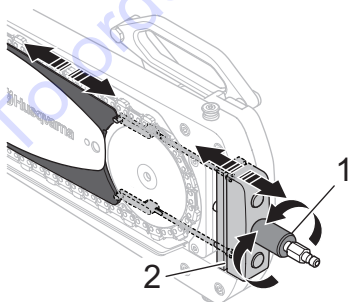


- 4 Serrez toujours la vis à un couple de serrage de 20 Nm (15 lb.pi).



Chaîne

- 1 Dévissez complètement la poignée (1) afin de réduire la tension de la chaîne.

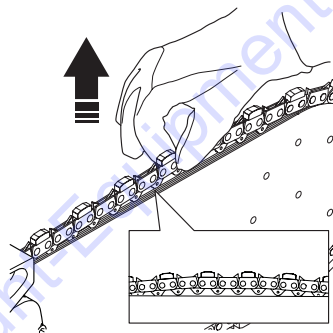


- 2 Tirez la chaîne pour relâcher le mécanisme de tension (2) puis déposez la chaîne.

- 3 Inspectez la chaîne et recherchez tout dommage ou toute trace d'usure. Si nécessaire, montez une nouvelle chaîne sur le guide-chaîne.

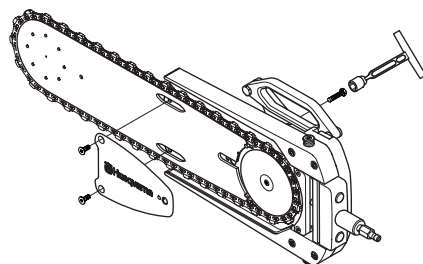
- 4 La tension de la chaîne est réglée à l'aide de la poignée (1).

REMARQUE! La bonne tension de la chaîne diamantée pour cette machine n'est pas la même que pour les autres tronçonneuses. Pour que la chaîne soit parfaitement tendue, elle doit être proche du guide-chaîne et former un cercle parfait autour de celui-ci. Après le réglage de la tension, il est toujours possible de relever la chaîne de sorte que les guide-chaînes soient parallèles, ce qui facilite les ajustements de la chaîne.



Guide-chaîne

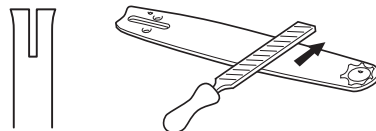
- 1 Utilisez une clé à douille de 13 mm pour déposer la vis qui maintient le guide-chaîne.



- 2 Utilisez la clé à six pans fournie pour déposer les 2 vis fraisées. Conservez ces vis. Si ces vis doivent être remplacées, n'utilisez que des vis figurant sur la liste de pièces illustrées (IPL).

- 3 Déposez le guide-chaîne et vérifiez son état d'usure.

- 4 Vérifiez qu'il n'y a pas de bavures sur les bords du guide-chaîne. Limez-les au besoin.

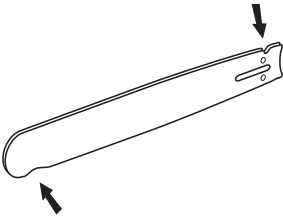


ENTRETIEN

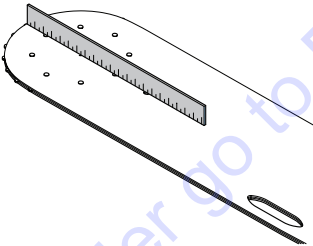
- 5 Vérifiez que la rainure du guide-chaîne n'est pas anormalement usée. Remplacez le guide-chaîne si nécessaire.



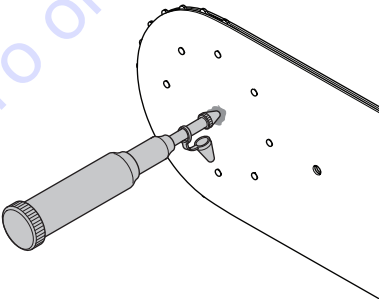
- 6 Vérifiez que l'extrémité du guide-chaîne n'est pas anormalement ou irrégulièrement usée. Si un creux s'est formé à l'extrémité du rayon du nez (bord inférieur), la chaîne n'était pas suffisamment tendue. Pour prolonger la durée de vie du guide-chaîne, changez le sens de rotation de la chaîne dans les paramètres de la télécommande. Pour plus de détails, consultez le manuel d'utilisation du bloc d'alimentation Husqvarna.



- 7 Utilisez une règle pour vérifier que le guide-chaîne n'est pas courbé. Placez la règle contre l'extrémité du guide-chaîne. La règle doit être alignée sur le guide-chaîne.

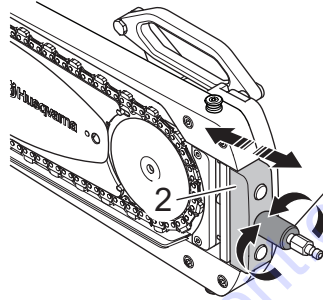


- 8 Graissez le guide-chaîne et la chaîne diamantée lors de chaque utilisation.

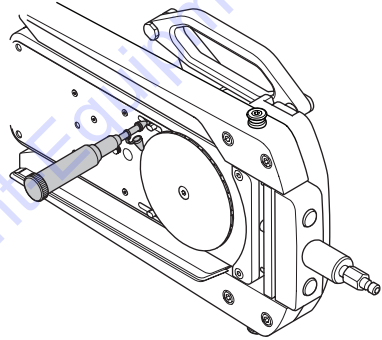


Fonction de tension de la chaîne

- 1 Tirez le bloc gris pour vérifier son élasticité.

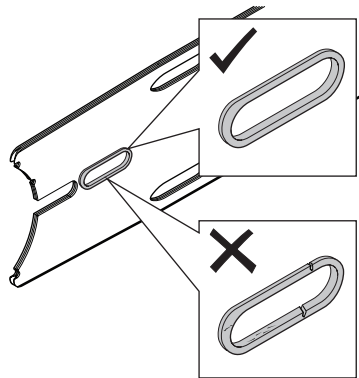


- 2 Nettoyez les rainures et graissez-les.



Bourelet d'étanchéité

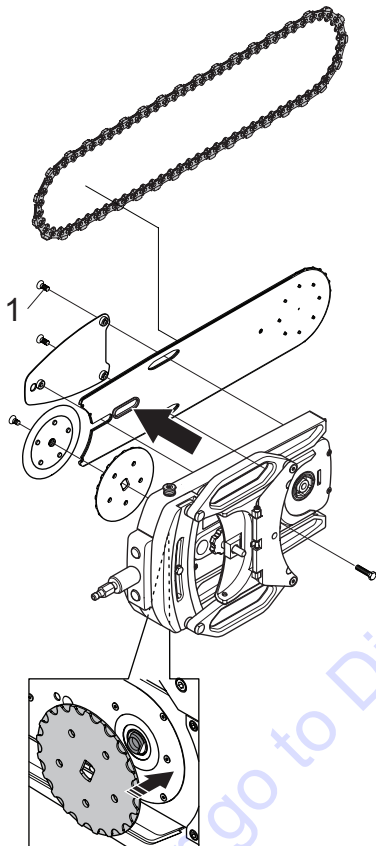
- 1 Contrôlez l'étanchéité de la machine. Remplacez-le si nécessaire.



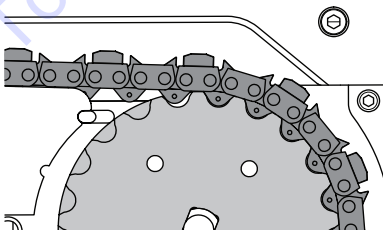
- 2 Nettoyez toutes les surfaces.

Montage après entretien

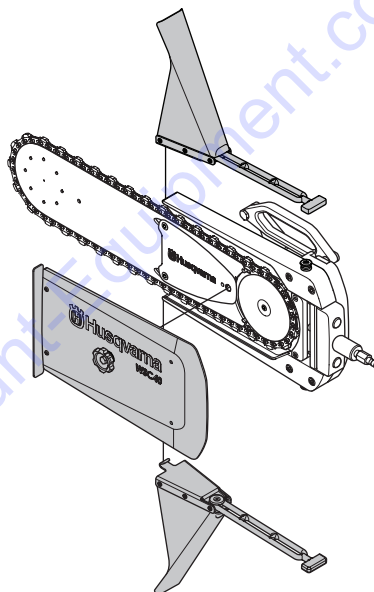
- 1 Placez le pignon d'entraînement sur l'arbre de sortie.
- 2 Montez les pièces conformément à l'illustration.



- 3 Serrez les 2 vis fraisées (1) à un couple de serrage de 20 Nm.
- 4 Placez la chaîne sur le guide-chaîne et assurez-vous que la chaîne suit parfaitement l'extrémité des pignons et pignons d'entraînement.



- 5 Une fois le pignon d'entraînement desserré, la vis, les filetages et la tête de boulon doivent être graissés. La vis se desserrera si elle n'est pas graissée correctement. Serrez toujours la vis à un couple de serrage de 20 Nm (15 lb.pi).
- 6 Utilisez le bouton de torsion pour régler la tension de la chaîne. Contrôlez la tension de la chaîne. Serrez la rondelle de serrage à l'aide du boulon. Utilisez un couple de serrage de 20 Nm (15 lb.pi).
- 7 Remettez le capot en place. Serrez soigneusement le bouton à la main.



RECHERCHE DE PANNES

Plan de recherche de pannes



AVERTISSEMENT! Si les opérations de service ou de recherche de panne n'exigent pas que la machine soit allumée, éteignez le moteur et mettez le bouton d'arrêt dans la position d'arrêt.

Problème	Cause probable	Proposition de solution
La machine fonctionne au ralenti ou ne s'enfonce pas dans le matériau.	Usure de la chaîne ou du guide-chaîne.	Contrôlez ces pièces et remplacez-les si nécessaire.
	De nouveaux diamants doivent être libérés au niveau de la chaîne.	Changez le sens de rotation de la chaîne.
La scie est déformée.	Usure de la chaîne ou du guide-chaîne.	Contrôlez ces pièces et remplacez-les si nécessaire.
	La poignée de l'unité de sciage est courbée.	Réglez ou remplacez la poignée.
La découpe est ralentie, même en dehors du matériau.	Trop de graisse lors de la lubrification.	Laissez la scie tourner en dehors du matériau pendant une minute.
	Montage incorrect.	Vérifiez que la rondelle de serrage, le pignon d'entraînement, la chaîne, le guide-chaîne et l'arbre sont montés correctement.
	Rouille ou corrosion.	Utilisez de la graisse pour lubrifier. Changez les pièces présentant une corrosion importante.
Le guide-chaîne vibre à certaines vitesses.	La roue d'entraînement est usée.	Contrôlez ces pièces et remplacez-les si nécessaire.
Les niveaux de vibration sont trop élevés	La chaîne diamantée est montée de façon incorrecte	Assurez-vous que le guide-chaîne et la chaîne diamantée sont montés correctement et qu'ils ne présentent aucun dommage. Consultez les instructions des sections « Chaînes diamantées » et « Entretien ».
Usure anormale de la chaîne ou du guide-chaîne.	Une quantité d'eau insuffisante a été utilisée lors du sciage.	Remplacez la chaîne diamantée et assurez-vous qu'elle est en parfait état.
	Puissance de sortie trop élevée dans le bloc d'alimentation PP 480 ou PP 490.	Assurez-vous que vous avez sélectionné le mode de sciage « chaîne » sur la télécommande. Si ce mode n'apparaît pas, contactez votre atelier spécialisé Husqvarna pour une mise à jour du logiciel.
	Tension inadaptée de la chaîne	Réglez la tension de la chaîne.
	Jeu de montage/montage incorrect.	Déplacez la machine vers l'avant et l'arrière pour vérifier que toutes les pièces sont montées correctement et que le support mural est correct.
Concernant la profondeur, la machine fonctionne dans un arc.	Le guide-chaîne est endommagé.	Dommages permanents. Remplacez le guide-chaîne.
	La découpe a été réalisée sans pré-coupe à l'aide de la lame.	Dommages permanents. Remplacez le guide-chaîne.
	Vous avez heurté une pièce métallique longitudinale.	Déplacez la scie latéralement et réalisez une nouvelle découpe.

CARACTÉRISTIQUES TECHNIQUES

WSC 40

Puissance d'entrée max (kW)	9,2
Entrée, max (tr/min)	1200
Transmission	Entraînement par engrenages
Entrée de couple d'entraînement, max (Nm)	230
Volume d'huile de boîte de vitesses, (dl/fl oz)	1,5/5
Pression max. de l'eau de refroidissement, (bar/PSI)	10/145
Débit d'eau min. recommandé, (l/min / gal/min)	3,5/1
Temp. max de l'eau de refroidissement à 3,5 l/min / 1 gal/min, (C/F)	60/140

Poids

Scie WSC 40 équipée de deux protections (kg/lbs)	19/42
Poids total incluant la caisse de transport, (kg/lbs)	27/60

Spécifications de l'équipement de coupe recommandé, chaîne

Guide-chaîne et chaîne diamantée	Nombre de segments de chaîne diamantée :	Pas de chaîne diamantée, (mm/pouces)	Largeur de segment de la chaîne diamantée, (mm/pouces)	Vitesse de chaîne max (m/s, pi/s)
24" (0,444")	37	11,582/0,444	5,7/0,22	28/92

Spécifications de l'équipement de coupe recommandé, guide-chaîne

Longueur de guide (mm/pouces)	Profondeur de coupe max. en ligne droite, (mm/pouces)	Profondeur de coupe max, (mm/pouces)	Largeur de coupe min, (mm/pouces)	Largeur du guide-chaîne avec la chaîne (mm/pouces)	Largeur du guide-chaîne (mm/pouces)
614/24	300/12	400/15,7	200/8	192/8	154/6

ACLARACION DE LOS SIMBOLOS

Símbolos en la máquina:

¡ATENCIÓN! La máquina, si se utiliza de forma errónea o descuidada, puede ser una herramienta peligrosa que puede causar daños graves e incluso la muerte al usuario y a otras personas.



Lea detenidamente el manual de instrucciones y asegúrese de entender su contenido antes de utilizar la máquina.



Utilice siempre:

- Casco protector homologado
- Protectores auriculares homologados
- Gafas protectoras o visor
- Máscara respiratoria



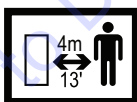
Riesgo de corte. Mantenga todas las partes del cuerpo lejos del equipo de corte.



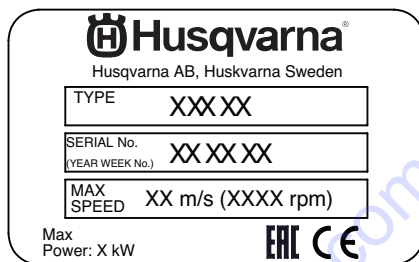
Peligro de objetos volantes. El usuario debe permanecer siempre en un ángulo en diagonal detrás de la sierra en funcionamiento para evitar el riesgo de resultar golpeado por los restos del material.



Mantenga una distancia de seguridad con respecto a la máquina. Para el operario, la distancia mínima de seguridad con respecto a las piezas móviles durante el funcionamiento de la máquina es de 4 metros (13 pies).



Placa de marcado de la máquina



Fila 1: Marca

Fila 2: Dirección del fabricante

Fila 3: Tipo

Fila 4: Número de serie (año, semana, número)

Fila 5: Régimen máx.

Fila 6: Potencia máxima, símbolos de certificaciones aplicables a determinados países.

Explicación de los niveles de advertencia

Las advertencias se clasifican en tres niveles.

¡ATENCIÓN!



¡ATENCIÓN! Indica un riesgo de daños graves para el usuario o incluso muerte, o bien daños al entorno, si no se siguen las instrucciones del manual.

¡IMPORTANTE!



¡IMPORTANTE! Indica un riesgo de lesiones para el usuario o daños al entorno si no se siguen las instrucciones del manual.

¡NOTA!

¡NOTA! Indica un riesgo de daños en los materiales o en la máquina si no se siguen las instrucciones del manual.

Los demás símbolos/etiquetas que aparecen en la máquina corresponden a requisitos de homologación específicos en determinados mercados.

Índice

ACLARACION DE LOS SIMBOLOS	
Símbolos en la máquina:	50
Placa de marcado de la máquina	50
Explicación de los niveles de advertencia	50
INDICE	
Índice	51
Antes de arrancar, observe lo siguiente:	51
PRESENTACIÓN	
Apreciado cliente:	52
Diseño y funciones	52
WSC 40	52
¿QUE ES QUE?	
Componentes de la unidad WSC 40	53
EQUIPO DE SEGURIDAD DE LA MÁQUINA	
Generalidades	54
CADENAS DE DIAMANTES	
Generalidades	55
Revisión de la cadena	55
Revisión de la motosierra	55
Material	55
Pulido	55
Transporte y almacenamiento	55
MONTAJE Y AJUSTES	
Generalidades	56
Riel y accesorios del soporte de pared	56
Instalación del carro y de la sierra	56
Compruebe que la guía de protección de la hoja esté en paralelo con la hoja	56
Monte el anclaje de la cadena del cortamuro	56
Montaje de la cadena de diamante	58
Tensado de la cadena de diamante	58
Montaje de la protección antisalpicaduras	58
Conecte la unidad eléctrica	59
Desmonte el anclaje	59
FUNCIONAMIENTO	
Equipo de protección	60
Técnica básica de trabajo	63
Régimen recomendado de la cadena	64
ARRANQUE Y PARADA	
Antes del arranque	65
Arranque	65
Seleccione el modo de funcionamiento.	65
Calibración	65
Parada	65
Desmontaje de la sierra	65
Limpieza	65
MANTENIMIENTO	
Generalidades	66
Programa de mantenimiento	66
Limpieza	65
Inspección funcional	67

LOCALIZACIÓN Y CORRECCIÓN DE AVERÍAS

Tabla de localización de fallos

DATOS TECNICOS

WSC 40

Especificación del equipo de corte recomendado, cadena

Especificación del equipo de corte recomendado, espada guía

DECLARACIÓN DE GARANTÍA PARA EE. UU.

Política de garantía

Equipo.....

Antes de arrancar, observe lo siguiente:



¡ATENCIÓN! El material que se corta a menudo contiene sílice y, al cortarlo en SECO particularmente, desprende polvo. La sílice es un componente básico de la arena, la arcilla para ladrillos, del cuarzo, del granito, y de varios otros minerales y rocas. La exposición a una cantidad excesiva de polvo de sílice puede causar:

Enfermedades respiratorias (que afectan su habilidad para respirar) como bronquitis crónicas, silicosis y fibrosis pulmonares por exposición a la sílice. Estas enfermedades pueden ser mortales.

Irritación y erupción de la piel.

Cáncer, según el Programa Nacional de Toxicología (NTP) y el Centro Internacional de Investigaciones sobre el Cáncer (IARC).

Tome medidas de precaución:

Evite el contacto de la piel con el polvo, vapor y humo, y su inhalación.

Use, y asegúrese de que quienes lo rodean usen, indumentaria de protección del aparato respiratorio como las mascarillas antipolvo diseñadas para filtrar partículas microscópicas. (Consulte las normas de la OSHA: 29 CFR Parte 1910.1200.)

Corte en húmedo, en la medida de lo posible, para minimizar la cantidad de polvo.

PRESENTACIÓN

Apreciado cliente:

Gracias por elegir un producto Husqvarna. Esperamos que su máquina le proporcione plena satisfacción y le sirva de ayuda por mucho tiempo en adelante. La adquisición de alguno de nuestros productos da acceso a asistencia profesional con reparaciones y servicio. Si la máquina no fue adquirida en un distribuidor oficial, preguntar en la tienda de compra la dirección del taller de servicio más cercano.

Este manual de instrucciones es un documento importante. Procure tenerlo siempre a mano en el lugar de trabajo. Siguiendo sus instrucciones (de uso, servicio, mantenimiento etcétera) puede alargar considerablemente la vida útil de la máquina e incrementar su valor de reventa. Si vende su máquina, entregue el manual de instrucciones al nuevo propietario.

Más de 300 años de innovación

La fundación de la empresa sueca Husqvarna AB data del año 1689, cuando el Rey Karl XI encargó la construcción de una fábrica para la fabricación de mosquetes. En ese momento se establecieron los cimientos de la experiencia tecnológica en la que se basan muchos de los productos punteros en el mundo en el sector de las armas de caza, bicicletas, motocicletas, electrodomésticos, máquinas de coser y productos para exteriores.

Husqvarna es líder internacional en productos motorizados para exteriores destinados a la silvicultura, el mantenimiento de parques y el cuidado del césped y del jardín, así como equipos de corte y herramientas de diamante para el sector de la construcción y la piedra.

Responsabilidad del propietario

El propietario / empresario es el responsable de asegurarse de que el usuario tiene los conocimientos necesarios para utilizar la máquina con seguridad. Los supervisores y los usuarios deben haber leído y entendido el manual de instrucciones. Deben tener conocimiento de lo siguiente:

- Las instrucciones de seguridad de la máquina.
- Las aplicaciones y las limitaciones de la máquina.
- El modo de uso y de mantenimiento de la máquina.

La utilización de esta máquina podría estar regulada por la legislación nacional vigente. Infórmese sobre la legislación vigente en el lugar donde trabaja antes de empezar a utilizar la máquina.

Los derechos que se reserva el fabricante.

Tras la publicación de este manual, Husqvarna podría publicar información adicional para el funcionamiento seguro de este producto. Es responsabilidad del propietario mantenerse informado de los métodos de funcionamiento más seguros.

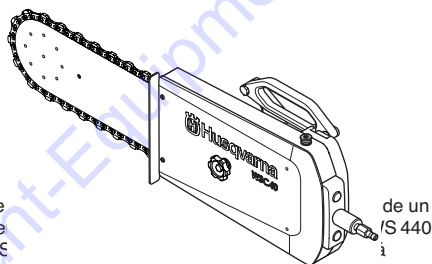
Husqvarna AB trabaja constantemente para perfeccionar sus productos y se reserva, por lo tanto, el derecho a introducir modificaciones en la construcción y el diseño sin previo aviso.

Diseño y funciones

El alto rendimiento, la fiabilidad, la tecnología innovadora, las soluciones técnicas avanzadas y el respeto medioambiental son los valores que caracterizan a los productos de Husqvarna. El usuario debe leer este manual detenidamente para garantizar un funcionamiento seguro del producto. Póngase en contacto con su concesionario o con Husqvarna si necesita más información.

A continuación se describen algunas de las características únicas de su producto.

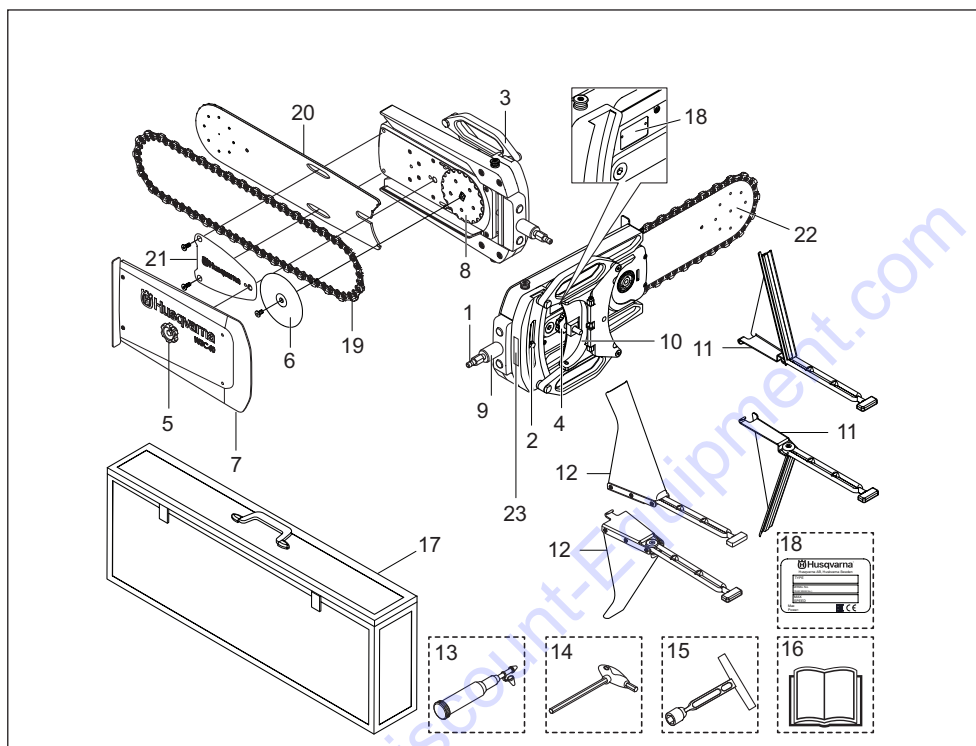
WSC 40



Este sistema y WSC de un /S 440 diseñado y construido para cortar materiales duros como el hormigón reforzado, la piedra y otros materiales de albañilería y no debe utilizarse para funciones distintas a las descritas en este manual. Para manejar esta máquina, se necesita un Husqvarna WS 440/WS 482 y una unidad de alimentación de alta frecuencia Husqvarna.

- Este anclaje de cadena de cortamuro se utiliza para evitar sobrecortes al realizar el corte de aberturas.
- La máquina permite cortar pequeñas aberturas para ventilación, tuberías, etc.
- La velocidad de la cadena se controla y se ajusta de forma electrónica mediante el control remoto de la unidad de alimentación.
- La alineación entre la cadena y el carril es la misma que en las unidades WS 440 y WS 482 con hoja.
- El sentido de rotación de la cadena se puede controlar con el control remoto, que permite elegir el sentido del dispositivo de pulverización de agua.
- El diseño es ergonómico, compacto y ligero, lo que hace que sea una máquina muy fácil de transportar.
- El software específico para WSC 40 se instala en la unidad de alimentación y efectúa ajustes automáticos de los movimientos del motor de avance para realizar cortes de profundidad rectos. Asegúrese de que tiene instalada la versión de software más reciente en la unidad de alimentación.

¿QUE ES QUE?



Componentes de la unidad WSC 40

- | | | | |
|----|--|----|--------------------------------|
| 1 | Conexión de la manguera, entrada de agua | 13 | Pistola de grasa |
| 2 | Tornillo de ajuste de ángulo | 14 | Llave Allen (5 mm) |
| 3 | Mango paralelo | 15 | Llave T (13 mm) |
| 4 | Manija de cierre de la abrazadera | 16 | Manual de instrucciones |
| 5 | Manija de cierre | 17 | Caja de almacenamiento |
| 6 | Arandela de sujeción | 18 | Placa de marcado de la máquina |
| 7 | Cubierta de la transmisión | 19 | Cadena de diamante |
| 8 | Piñón de arrastre de la cadena | 20 | Espada |
| 9 | Mando de ajuste de tensión de la cadena | 21 | Placa de sujeción |
| 10 | Abrazadera para asa de cortamuro | 22 | Rueda delantera |
| 11 | Protección de corte al ras | 23 | Rótulo de advertencia |
| 12 | Protección contra salpicaduras | | |

EQUIPO DE SEGURIDAD DE LA MÁQUINA

Generalidades

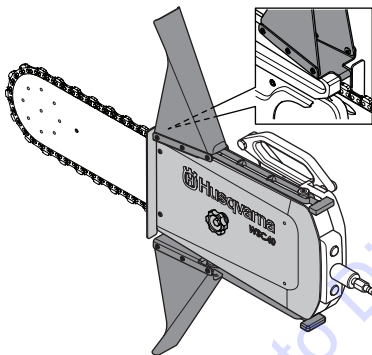
En este capítulo se describen los componentes de seguridad de la máquina, su función y el modo de efectuar el control y el mantenimiento para garantizar un funcionamiento óptimo. En cuanto a la ubicación de estos componentes en su máquina, vea el capítulo ¿Qué es qué?.



¡ATENCIÓN! Nunca utilice una máquina que presente equipo de seguridad defectuoso. El equipo de seguridad se debe inspeccionar y mantener. Si el equipo de seguridad o cualquier pieza de la máquina presenta algún daño, llévelo a un taller de servicio para que lo reparen.

Cubierta y protecciones antisalpicaduras

La cubierta y la protección antisalpicaduras deben utilizarse siempre que se efectúe un corte con la sierra.



La cubierta y la protección antisalpicaduras evitan el contacto con las piezas móviles y protegen contra los residuos que salen despedidos, el agua y el barro producido por el hormigón. Las protecciones antisalpicaduras también están diseñadas para recoger la cadena de diamante si esta se rompe o se sale.

Se recomienda que las dos protecciones antisalpicaduras estén instaladas, pero en algunas aplicaciones (corte alineado con el suelo o el techo), se podría retirar provisionalmente una de estas protecciones. Como mínimo, debe permanecer instalada la protección antisalpicaduras del sentido de la pulverización. Vuelva a montar la protección antisalpicaduras después de realizar el corte.

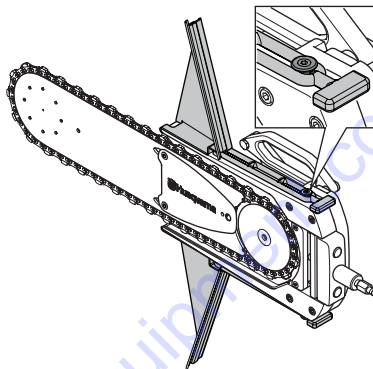
Compruebe la cubierta y la protección antisalpicaduras.

Asegúrese de que no hay grietas o agujeros en la cubierta ni las protecciones producidos por los residuos que salen despedidos.

Sustituya la cubierta o las protecciones si están dañadas.

Protecciones para corte al ras

Esta máquina puede usarse para realizar cortes al ras. Para cortar al ras, se emplean unas protecciones antisalpicaduras especialmente diseñadas. Estas protecciones solo están permitidas para cortar al ras.



Compruebe las protecciones para ver si presentan desperfectos o desgaste. Asegúrese de que no las protecciones no estén dañadas. Sustituya las protecciones si están dañadas.

Unidad de alimentación

Compruebe el equipo de seguridad de la unidad de alimentación que se proporciona. Consulte el manual de usuario de la unidad de alimentación.

Compruebe también las instrucciones de seguridad y las instrucciones que figuran en los manuales del usuario para conocer el tipo de cortamuro y unidad de alimentación que debe utilizar.

CADENAS DE DIAMANTES

Generalidades



¡ATENCIÓN! Las roturas de cadena pueden causar daños personales graves si la cadena es lanzada contra el operador. ¡La utilización de un equipo de corte erróneo o una combinación incorrecta de espada/cadena aumenta el riesgo de reculada! Utilice solamente las combinaciones de espada/cadena recomendadas por nosotros.

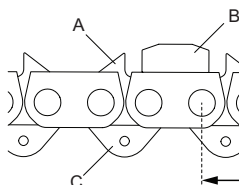


¡ATENCIÓN! Desconecte siempre el cable de alimentación que se encuentra enchufado a la unidad de corte antes de realizar cualquier trabajo de instalación, limpieza y mantenimiento. Un descuido podría ocasionar lesiones físicas graves o incluso la muerte.



¡ATENCIÓN! Para manipular la cadena deben utilizarse guantes protectores.

- a) Eslabón de arrastre con sistema antirrebote
- B) Eslabón de corte con segmento de diamantes
- C) Guía de la cadena



Paso de cadena de diamante: $\text{Paso} = D/2$

Esta unidad únicamente debe utilizarse con una cadena con sistema antirrebote doble, puesto que la máquina se puede utilizar en dos sentidos de rotación.

Cuando se utiliza una cadena con sistema antirrebote doble, esta puede montarse en ambas direcciones.

Revisión de la cadena

- Revise la cadena para comprobar que no presenta señales de daños como enlaces de eslabones con huelgo o rotura de guías de segmento, eslabones de arrastre o segmentos. Si la cadena de diamante está dañada, sustitúyala.
- Si la cadena ha sido sometida a un atasco fuerte u otra carga anormalmente grande, desmóntela de la espada y revísela a fondo.

Revisión de la motosierra

La motosierra está equipada con diversos dispositivos de seguridad que protegen al operador en caso de rotura de la cadena. Estos dispositivos de seguridad deben

revisarse antes de iniciar el trabajo. No utilice nunca la motosierra si falta o está dañado alguno de estos componentes:

- Tapa de la transmisión
- Cadena dañada
- La protección antialpicaduras falta o está dañada.

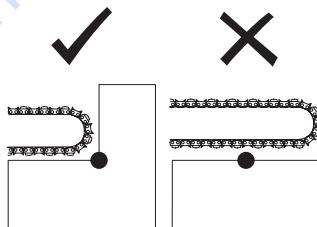
Material



¡ATENCIÓN! Bajo ninguna circunstancia debe convertirse la motosierra de diamante para cortar otros materiales que aquellos para los que está destinada. Nunca se debe equipar con una cadena de sierra para madera o leña.

Esta máquina está diseñada y prevista para serrar hormigón, ladrillos y distintos tipos de piedra. Cualquier otro uso se considerará inadecuado.

La motosierra no debe emplearse nunca para cortar metales puros, ya que de hacerlo es probable que se produzca rotura de segmentos o de la cadena. Los segmentos de diamantes resisten el corte de hormigón armado. Procure cortar la armadura junto con la mayor cantidad posible de hormigón para limitar el desgaste de la cadena.



Pulido

Después de cortar hormigón o piedra de una dureza excepcional, el segmento de diamante podría perder una parte o toda su capacidad de corte. Esto también puede ocurrir si se ve obligado a cortar con una presión parcial baja (la cadena de diamante ataca la pieza de trabajo con toda la longitud de la espada). La solución a este problema es cambiar el sentido de rotación de la cadena.

Transporte y almacenamiento

- Una vez finalizado el trabajo, la motosierra de diamante deberá funcionar durante al menos 15 segundos bajo agua a presión para limpiar y eliminar los residuos de la espada, la cadena y el mecanismo motor. Enjuague la máquina con agua. Si la máquina no se utiliza durante un tiempo, se aconseja lubricar la cadena y la espada para evitar la corrosión.
- Compruebe que el equipo de corte no se haya dañado durante el transporte o almacenamiento.

MONTAJE Y AJUSTES

Generalidades



¡ATENCIÓN! Desconecte siempre el cable de alimentación que se encuentra enchufado a la unidad de corte antes de realizar cualquier trabajo de instalación, limpieza y mantenimiento. La utilización del equipo sin el debido cuidado puede causar lesiones graves e incluso la muerte.

Riel y accesorios del soporte de pared

Monte el sistema según las instrucciones del manual de usuario del cortamuro correspondiente.

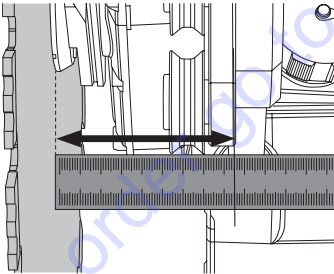
Instalación del carro y de la sierra

Monte el sistema según las instrucciones del manual de usuario del cortamuro correspondiente.

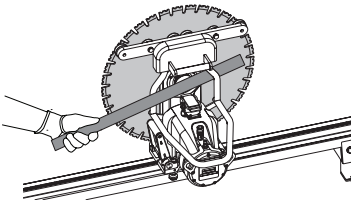
Compruebe que la guía de protección de la hoja esté en paralelo con la hoja

Para alinear la unidad WSC 40 con el corte, asegúrese de que no se haya producido ninguna deformación en el manillar del cortamuro.

- 1 Monte la guía de protección de la hoja sobre la guía y mida entre cada una de las ruedas de los extremos y la hoja. La medición entre la parte exterior de la guía de rueda y la hoja ha de ser de aproximadamente 102 +/- 2 mm.



- 2 Si la diferencia es mayor de 2 mm, retire la guía y ajuste el bastidor con una barra de hierro para hacer que se guía se sitúe paralela a la hoja.



Monte el anclaje de la cadena del cortamuro

¡IMPORTANTE! Mantenga siempre la máquina en la caja que se proporciona cuando no la utilice.



¡ATENCIÓN! Proteja las manos con guantes.



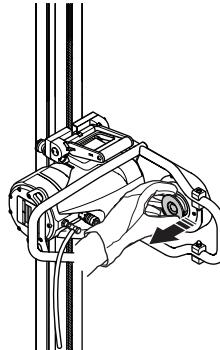
¡ATENCIÓN! Solo una persona debería llevar a cabo el procedimiento de montaje de la máquina para evitar imprevistos.



¡ATENCIÓN! Riesgo de lesiones por aplastamiento. Sujetar la máquina con firmeza.

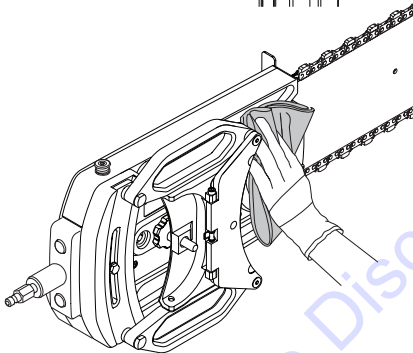
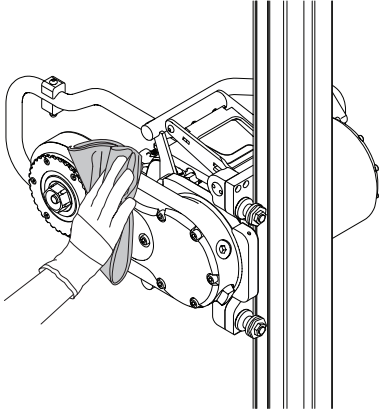
¡IMPORTANTE! Durante el montaje, mantenga el suelo limpio. Asegúrese de que no haya objetos en el camino.

- 1 Desmonte la hoja y la brida de la hoja según las instrucciones del manual de usuario del cortamuro correspondiente.
- 2 Asegúrese de que el cubo del eje se encuentre en la posición externa. No es posible fijar la unidad WSC 40 si el eje hexagonal se encuentra en la posición interna.

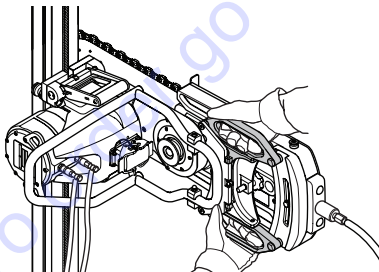


MONTAJE Y AJUSTES

- 3 Asegúrese de que las superficies de la máquina y del cabezal de la sierra estén limpias.

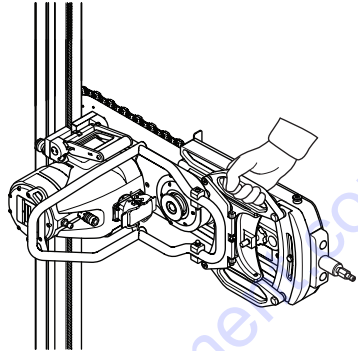


- 4 Utilice las dos manos para levantar la máquina por el asa paralela de la caja de almacenamiento.

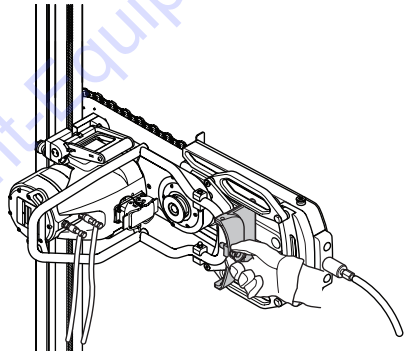


- 5 Deslice la unidad WSC 40 sobre el brazo del cortamuro. Empuje el eje hexagonal mientras desplaza la unidad cuidadosamente alrededor del centro para alinear el eje. El eje debería quedar bloqueado en la posición intermedia; compruébelo tirando del anclaje de la cadena del cortamuro.

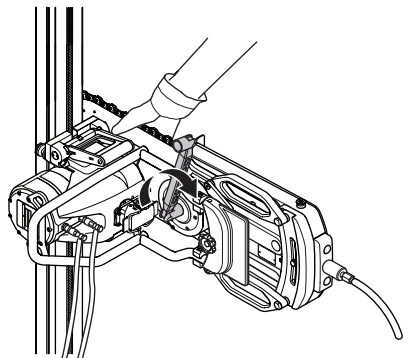
- Asegúrese de que la máquina esté bloqueada en el brazo de la sierra.



- 6 Doble la abrazadera que bloquea el anclaje al manillar. Apriete la manija de cierre.

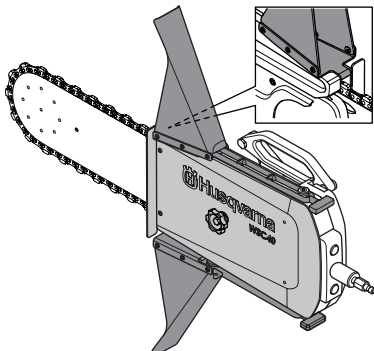


- 7 Apriete la máquina al cabezal de la sierra con el perno del cubo del eje. Coloque una mano sobre la cadena para comprobar la resistencia. No olvide usar guantes. Use la llave de 18 mm que se incluye en la caja de herramientas. Utilice el par de apriete de 70-80 Nm (52-59 lb-ft).

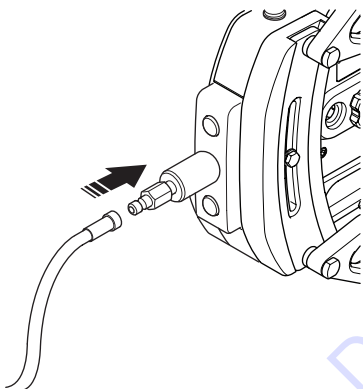


MONTAJE Y AJUSTES

- 8 Monte las protecciones antisalpicaduras.



- 9 Conecte la manguera de agua.



¡ATENCIÓN! Compruebe que el montaje es correcto antes de conectar el cable de alimentación.

Montaje de la cadena de diamante



¡ATENCIÓN! Nunca monte ni desmonte la herramienta o las protecciones sin antes desconectar el cable de alimentación de la unidad de corte. Un descuido podría ocasionar lesiones físicas graves o incluso la muerte.



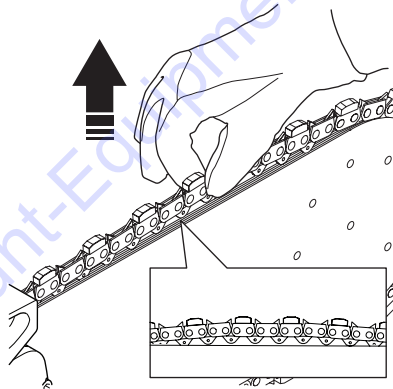
¡ATENCIÓN! Tenga cuidado al montar el anclaje de la cadena del cortamuro para que no se afloje durante el corte. La utilización del equipo sin el debido cuidado puede causar lesiones graves e incluso la muerte.

Tensado de la cadena de diamante

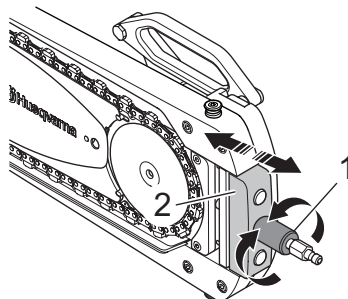


¡ATENCIÓN! Una cadena de diamante poco tensa puede soltarse y causar lesiones graves, incluso mortales.

La tensión correcta de la cadena de diamante en esta máquina difiere de las de otras motosierras. Cuando la cadena está perfectamente tensa, se encuentra tirante en la espada de la cadena y forma un círculo perfecto alrededor de esta última. Después de tensar, todavía debería ser posible levantar la cadena para que las guías de la cadena se sitúen paralelas a la espada de la cadena y para que la cadena se mueva con facilidad.



Afloje el tornillo de la arandela de sujeción desde atrás con una llave T de 13 mm. Utilice la manija de ajuste para tensar la cadena.



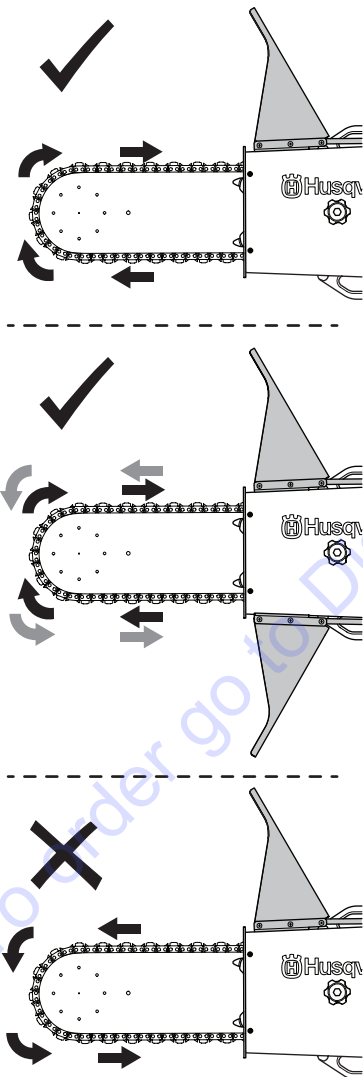
Montaje de la protección antisalpicaduras

La protección antisalpicaduras del equipo de corte debería instalarse en los laterales de la máquina con correas de goma. La protección recoge las salpicaduras y chispas del material que se corta y evita que entren en contacto con el usuario.

MONTAJE Y AJUSTES

Dado que se puede seleccionar el sentido de rotación de la cadena de diamante, también es posible seleccionar el sentido de la pulverización del agua desde la cadena, independientemente del sentido de giro de la sierra en el raíl.

Tanto si la sierra se utiliza para corte al ras como para corte normal, las protecciones antisalpicaduras se instalan en el sentido de rotación de la cadena.



Conecte la unidad eléctrica



¡ATENCIÓN! Este producto está diseñado únicamente para utilizarse junto con unidades de alimentación Husqvarna PP 400. Está prohibida cualquier otra aplicación.

Lea el manual de instrucciones suministrado con la unidad eléctrica antes de utilizar la máquina.

La potencia máxima que recibe la unidad son 9,2 kW y, por lo tanto, se muestra el modo de 16 A cuando se usa la unidad WSC 40 con PP 480 y PP 490. Este parámetro se ajusta automáticamente al seleccionarse el modo de cadena en el control remoto. Compruebe que la unidad de alimentación se encuentre actualizada con la versión de software más reciente.

Desmonte el anclaje



¡ATENCIÓN! Desconecte siempre el cable de alimentación que se encuentra enchufado a la unidad de corte antes de realizar cualquier trabajo de instalación, desmontaje, limpieza y mantenimiento. La utilización del equipo sin el debido cuidado puede causar lesiones graves e incluso la muerte.

- 1 Desconecte el conductor de alimentación de entrada y la manguera de entrada de agua.
- 2 Retire las protecciones antisalpicaduras.
- 3 Coloque una mano sobre la cadena para evitar que se mueva y afloje el perno del cubo del eje con la llave de 18 mm. Desatornille el perno y asegúrese de que el cubo del eje se encuentra en la posición intermedia.
- 4 Agarre firmemente la conexión de agua de la unidad WSC 40. Desatornille la manija de cierre situada en la abrazadera de sujeción. Doble la abrazadera de sujeción para fijar las asas paralelas.
- 5 Agarre firmemente el asa paralela con la mano libre. Saque el cubo del eje del brazo del cortamuro hasta la posición externa. Retire la máquina.
- 6 Mantenga siempre la máquina en la caja que se proporciona cuando no la utilice.

Equipo de protección

Generalidades

No use nunca una máquina si no tiene posibilidad de pedir auxilio si se produce un accidente.

Equipo de protección personal

Para trabajar con la máquina debe utilizarse un equipo de protección personal homologado. El equipo de protección personal no elimina el riesgo de lesiones, pero reduce su efecto en caso de accidente. Pida a su distribuidor que le asesore en la elección del equipo.



¡ATENCIÓN! El uso de productos que cortan, puen, taladran, alisan o forman materiales puede generar polvo y vapores que pueden contener sustancias químicas dañinas. Averiguar la composición del material con que se trabaja y usar una máscara respiratoria adecuada.

La exposición prolongada al ruido puede causar daños crónicos en el oído. Por consiguiente, use siempre protectores auriculares homologados. Cuando use protección auditiva preste siempre atención a las señales o llamados de advertencia. Sáquese siempre la protección auditiva inmediatamente después de parar el motor.

Existe siempre riesgo de accidentes por apriete al trabajar con aparatos con piezas móviles. Usar guantes protectores para evitar lesiones.

Utilice siempre:

- Casco protector homologado
- Protectores auriculares
- Protección ocular homologada. Si se utiliza visor, deben utilizarse también gafas protectoras homologadas. Por gafas protectoras homologadas se entienden las que cumplen con la norma ANSI Z87.1 para EE.UU. o EN 166 para países de la UE. El visor debe cumplir con la norma EN 1731.
- Máscara respiratoria
- Guantes resistentes de agarre seguro.
- Prendas de vestir ceñidas, resistentes y cómodas que permitan una libertad de movimientos total. No lleve pantalones cortos.
- Botas con puntera de acero y suela antideslizante.
- Tener en cuenta que las ropas, el pelo largo y las joyas pueden atascarse en piezas móviles.

Otros equipos de protección



¡ATENCIÓN! Mientras trabaja con la máquina, pueden producirse chispas que podrían ocasionar un incendio. Tenga siempre a mano herramientas para la extinción de incendios.

- Extintor de incendios
- Kit de primeros auxilios

Instrucciones generales de seguridad



¡ATENCIÓN! Lea todas las advertencias e instrucciones de seguridad. El incumplimiento de las advertencias e instrucciones de seguridad puede ocasionar descargas eléctricas, incendios o lesiones graves.

Este apartado trata las normas de seguridad básicas para trabajar con el dispositivo. Esta información no sustituye en ningún caso los conocimientos y la experiencia de un profesional. Si se encuentra en alguna situación que le haga sentirse inseguro, deténgase y consulte con un experto. Consulte a su distribuidor, al taller de servicio técnico o a un usuario experimentado. No emplee la máquina en aplicaciones para las que no se considere plenamente cualificado.

- Lea detenidamente el manual de instrucciones y asegúrese de entender su contenido antes de utilizar la máquina.
- Lea el manual de instrucciones suministrado con la unidad eléctrica antes de utilizar la máquina.
- Esta máquina está diseñada únicamente para utilizarse junto con una unidad Husqvarna WS 440/ WS 482. Está prohibido utilizarla de cualquier otra forma.
- La máquina puede ocasionar lesiones graves. Lea atentamente las instrucciones de seguridad. Aprenda a utilizar la máquina.
- Debe tenerse en cuenta que el operador es responsable de los accidentes o riesgos que ocurran a otras personas o a su propiedad.
- Todos los operadores deben ser formados en el empleo de la máquina. El propietario es responsable de la formación de los operadores.
- La máquina debe mantenerse limpia. Los letreros y las pegatinas deben ser legibles en su totalidad.
- Conserve todas las advertencias e instrucciones para su consulta.

FUNCIONAMIENTO



¡ATENCIÓN! La máquina, si se utiliza de forma errónea o descuidada, puede ser una herramienta peligrosa que puede causar daños graves e incluso la muerte al usuario y a otras personas.

No permita bajo ningún concepto el empleo o mantenimiento de la máquina por los niños u otras personas no instruidas en el manejo de la misma.

Nunca deje que terceros utilicen la máquina sin asegurarse primero de que hayan entendido el contenido de este manual de instrucciones.



¡ATENCIÓN! Las modificaciones y/o el uso de accesorios no autorizados comportan riesgo de daños personales graves y peligro de muerte para el usuario y otras personas.

No modifique nunca esta máquina de forma que se desvíe de la versión original, y no la utilice si parece haber sido modificada por otras personas.

No utilice en ningún caso una máquina, batería o cargador de batería defectuoso. Siga las instrucciones de mantenimiento, control y servicio de este manual. Algunas medidas de mantenimiento y servicio deben ser efectuadas por especialistas formados y cualificados. Consulte las instrucciones en el título Mantenimiento.

Utilice piezas originales exclusivamente.

Emplee siempre el sentido común

Es imposible abarcar todas las situaciones imaginables que se pueden producir al utilizar una taladradora. Proceder siempre con cuidado y emplear el sentido común.

Si se encuentra en alguna situación que le haga sentirse inseguro, deténgase y consulte con un experto. Consulte a su distribuidor, al taller de servicio técnico o a un usuario experimentado. No emplee la máquina en aplicaciones para las que no se considere plenamente cualificado.

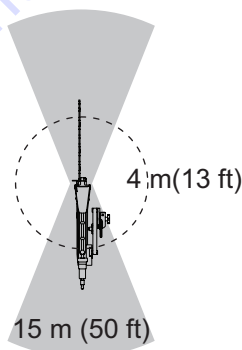
Seguridad en el área de trabajo

- Compruebe siempre la parte posterior de la pared por donde sobresalen la espada guía y la cadena de diamante al cortar a través. Proteja la zona, delimítela y asegúrese de que ninguna persona pueda resultar herida y que no se produzcan daños materiales.
- Averigüe y marque siempre la ubicación del trazado de las tuberías de gas. El corte cerca de las tuberías de gas siempre es peligroso. Procure que no se

generen chispas al cortar, debido al riesgo de explosión. Trabaje concentrado en su tarea. La negligencia comporta riesgo de daños personales graves y peligro de muerte.

- Asegúrese de que no haya tuberías o cables eléctricos en la zona de trabajo o en el material que vaya a cortar.
- Asegúrese de que no haya cables eléctricos con corriente en la zona de trabajo.
- Asegúrese de que no haya personas desautorizadas en la zona de trabajo, de lo contrario, se corre el riesgo de ocasionar graves daños personales. La distancia de seguridad es de 15 metros (50 ft.).
- No trabaje en condiciones atmosféricas desfavorables como niebla, lluvia intensa, tempestad, frío intenso, etc.
- Trabajar con mal tiempo es cansador y puede crear condiciones peligrosas, por ejemplo suelo resbaladizo.
- Controle que la zona de trabajo esté bien iluminada para lograr un entorno seguro.
- Cerciórese siempre de tener una posición de trabajo segura y firme.

Zona de riesgo de la máquina



¡ATENCIÓN! Asegúrese de que no haya personas desautorizadas en la zona de trabajo, de lo contrario, se corre el riesgo de ocasionar graves daños personales. La distancia de seguridad es de 15 metros (50 ft.).

FUNCIONAMIENTO



¡ATENCIÓN! Para el operario, la distancia mínima de seguridad con respecto a las piezas móviles durante el funcionamiento de la máquina es de 4 metros (13 pies). El usuario debe permanecer siempre en un ángulo en diagonal detrás de la sierra en funcionamiento para evitar el riesgo de resultar golpeado por los restos del material. Tenga especial cuidado al arrancar, cuando la sierra penetra en el material.

¡IMPORTANTE! Las personas que no vayan equipadas con la protección descrita anteriormente deberán mantenerse fuera de la zona de riesgo, debido al peligro que suponen los materiales que salen despedidos.

Seguridad eléctrica

Consulte los apartados sobre seguridad eléctrica de los manuales del cortamuro y la unidad de alimentación que utilice.



¡ATENCIÓN! No lave a presión la máquina, ya que el agua puede entrar en el sistema eléctrico o el motor y causar daños en la máquina o un cortocircuito.

Seguridad personal

- No abandonar nunca la máquina sin vigilar, con el motor en marcha.
- Nunca utilice la sierra sin tener al alcance el botón de parada de emergencia del control remoto o de la unidad eléctrica. Consulte el manual de la unidad eléctrica.
- Al trabajar con las máquinas, procure siempre que haya alguien cerca, que pueda prestar ayuda en caso de accidente.
- Las personas que se encuentran cerca de la máquina deben utilizar mecanismos de protección, incluidos protectores auriculares, ya que el nivel sonoro al momento del corte excede los 85 dB(A).
- Proceda con cuidado en las elevaciones. Las piezas son pesadas, por lo que hay riesgo de daños por apriete y daños personales de otro tipo.
- Las personas y los animales pueden distraer y hacer perder el control de la máquina. Por consiguiente, el operador debe estar siempre concentrado en su trabajo.
- Tener en cuenta que las ropas, el pelo largo y las joyas pueden atascarse en piezas móviles.
- **Quite todas las clavijas de ajuste o llaves de tuercas antes de encender la herramienta eléctrica.** Una llave de tuercas o clavija de ajuste que se ha dejado colocada en una pieza giratoria de la herramienta eléctrica puede causar lesiones.

- Mantenga bajo vigilancia la máquina siempre que el motor esté en marcha.
- Riesgo por peligro de aplastamiento. Si se monta de forma incorrecta, la máquina puede caer y dañar al operario.
- Proceda con cuidado en las elevaciones. Las piezas son pesadas, por lo que hay riesgo de daños por apriete y daños personales de otro tipo.

Uso y cuidado

- Nunca monte ni desmonte herramientas o protecciones sin antes desenchufar el cable de alimentación conectado a la unidad de corte.
 - Nunca desconecte el cable sin desconectar antes la unidad eléctrica y esperar a que la máquina se detenga por completo.
 - No realice cortes nunca sin usar las protecciones adecuadas.
 - Compruebe que la cadena no esté en contacto con ningún objeto al arrancar la máquina.
 - Para el operario, la distancia mínima de seguridad con respecto a las piezas móviles durante el funcionamiento de la máquina es de 4 metros (13 pies). El usuario debe permanecer siempre en un ángulo en diagonal detrás de la sierra en funcionamiento para evitar el riesgo de resultar golpeado por los restos del material.
 - Debe emplearse siempre refrigeración por agua. De este modo se enfría la cadena y la espada de la cadena, se aumenta la vida útil de las mismas se evita la acumulación de polvo.
 - Compruebe que todas las juntas, conexiones y cables están intactos y limpios.
 - Antes de empezar a cortar, todos los cortes que se van a hacer deben marcarse con claridad y planificarse para que se puedan hacer sin riesgo de dañar a personas o la máquina.
 - Asegure o ancle con firmeza los bloques de hormigón antes de cortar. El gran peso del material cortado puede ocasionar graves daños en la máquina y las personas si no se mueven en condiciones controladas.
- ## Transporte y almacenamiento
- Desenchufe siempre el cable eléctrico antes de mover el equipo.
 - Desmonte el disco y el protector del disco antes de transportar y almacenar el equipo.
 - Almacene la cortadora en lugar seguro fuera del alcance de los niños y personas no calificadas para su uso.
 - Si existe riesgo de congelación, drene el agua refrigeradora restante del dispositivo.
 - Utilice las cajas suministradas para guardar el equipo.

FUNCIONAMIENTO

Técnica básica de trabajo



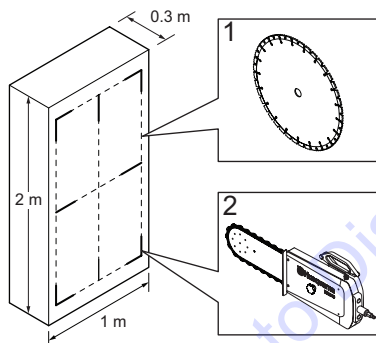
¡ATENCIÓN! La técnica de trabajo correspondiente a la unidad WSC 40 solo es válida para este producto. Nunca adapte estas técnicas de trabajo a otros equipos.



¡ATENCIÓN! Utilice siempre una hoja con segmentos más anchos que los de la cadena. Esta instrucción es extremadamente importante si se dispone a usar una máquina de mano para finalizar el corte. Si se usa una máquina con guía de rail como la WSC 40, puede omitir esta indicación.

Empiece a cortar con el cortamuro con hoja (1) según se indica en la ilustración. Después, use el anclaje de la cadena del cortamuro (2) como se indica en la ilustración.

El corte se realiza según la ilustración:



Haga avanzar la hoja de 3 a 7 cm (1,2"-2,8"). Realice un corte de guía para obtener un corte recto y una base para el siguiente corte. El corte debe hacerse con cuidado. El brazo de corte permite utilizar hojas de hasta 1000 mm (40 pulgadas) como hoja inicial. Sin embargo, se aconseja comenzar a cortar con una hoja de 800 mm (31,5 pulgadas).

- Cuando esté terminado el corte de guía, se pueden hacer cortes más profundos. La profundidad de los mismos se determina según el caso y depende de factores como la dureza del hormigón, la presencia de fierros de armadura, etc.
- Si cambia los discos para que trabajen a mayor profundidad en el mismo corte, asegúrese de que el grosor del disco se corresponda con el ancho del surco.
- Deje que la máquina trabaje sin forzar ni presionar el disco.

Una vez finalizados los cortes con la hoja, sustituya esta por el anclaje de la cadena del cortamuro y corte el material restante para obtener esquinas puntiagudas.

Si se corta en un hormigón fuertemente armado o un aglomerado duro, debería comenzar el corte A menos 50 mm (2 pulgadas) desde la esquina. Consulte la tabla que figura en la sección Sobrecortes para conocer las cotas A.

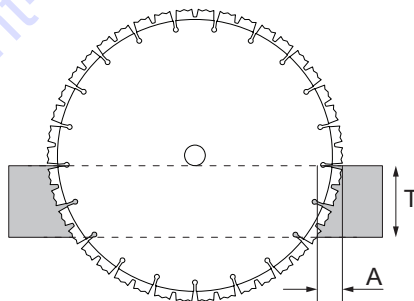
¡NOTA! Cambie el ajuste del control remoto a modo de cadena cuando utilice el anclaje de la cadena del cortamuro.

Introduzca el anclaje de la cadena del cortamuro en la pared y corte con la rueda delantera. El software ajustará automáticamente el desplazamiento longitudinal para realizar el corte con la rueda delantera. Asegúrese de que haya suficiente espacio para el soporte de sierra en el tope del carril al comenzar a cortar (elija el sentido correcto de rotación del brazo).

¡NOTA! Asegúrese de que el modo de cadena se encuentre seleccionado en el control remoto. Si no es así, la herramienta sufrirá un desgaste excesivo.

Sobrecorte

La longitud de sobrecorte depende del grosor de la pared y de la hoja que se utilice.

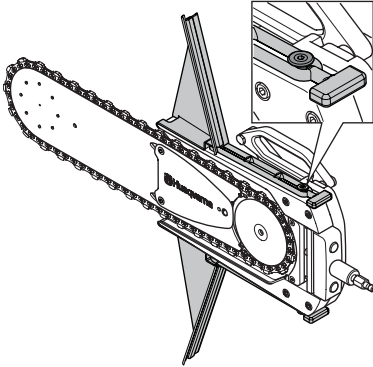


Tamaño de la hoja	800 mm/32"	1000 mm/40"
T (mm/inch)	A (sobrecorte en mm/pulg.)	
200/8	100/4	80/3
250/10	160/6	120/5
300/12	250/10	160/6
14/350	-	230/9
16/400	-	335/13

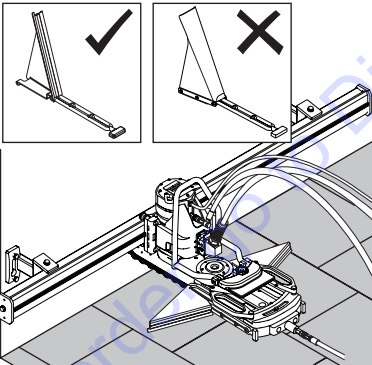
FUNCIONAMIENTO

Corte liso

Retire las protecciones antisalpicaduras para corte normal y la tapa de la transmisión. Sustituya las protecciones antisalpicaduras por las protecciones para corte al ras.



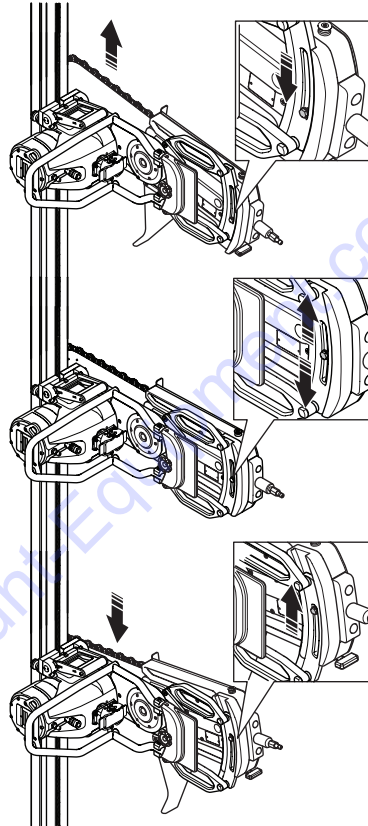
Se recomienda que las dos protecciones para corte al ras estén instaladas, pero en algunas aplicaciones (corte alineado con el suelo o el techo), se podría retirar provisionalmente una de estas protecciones. Como mínimo, debe permanecer instalada la protección que se encuentre en el sentido de rotación de la cadena. Cambie la protección después de cortar.



Ajuste de ángulo

El ajuste de ángulo se usa para obtener un corte perfecto en ángulos cerca de techos, paredes o suelos. Ajuste el ángulo hasta su posición máxima. El sentido depende del corte.

Desenrosque el tornillo y ajuste el ángulo.



¡ATENCIÓN! Apriete siempre el tornillo a un par de 20 Nm (15 lb-ft).

Régimen recomendado de la cadena

Para conseguir el mejor rendimiento de corte, utilice el régimen de corte máximo de 28 m/s (92 ft/s) en hormigón de dureza baja e intermedia.

Si se usa la unidad WS 482, asegúrese de que el engranaje mecánico 2 esté acoplado para visualizar correctamente el régimen de la cadena.

¡NOTA! Cortar a revoluciones demasiado bajas puede ocasionar daños en la cadena y en la espada de la cadena. Compruebe que se ha seleccionado el engranaje mecánico correcto. Para cortar hormigón duro, se debe usar un régimen más bajo de la cadena que para cortar hormigón blando.

ARRANQUE Y PARADA

Antes del arranque

- Cerque el área en que va a cortar para impedir la entrada de personas ajenas al trabajo y evitar el riesgo de que sufran daños y que le estorben en el trabajo.
- Asegúrese de que ni el disco ni el protector estén dañados o agrietados. Sustituya el disco o el protector si han sufrido golpes o están agrietados.
- Compruebe que la cadena, la espada de la cadena y las protecciones de la cadena no estén dañadas o agrietadas. Sustitúyalas si están expuestas a golpes o presentan fisuras.
- Compruebe que todos los cables y el suministro de agua están correctamente conectados a la máquina antes de arrancarla.

Arranque

Siga las instrucciones de arranque proporcionadas en el manual que acompaña la unidad eléctrica.

¡NOTA! Asegúrese de que esté seleccionado el modo de transmisión correcto de la unidad WSC40 en el control remoto. De lo contrario, se producirá un desgaste excesivo de la cadena y de la espada de la cadena.

¡IMPORTANTE! Asegúrese de que cuenta con la versión de software más reciente instalado en la unidad de alimentación y el control remoto. El centro de servicio de Husqvarna puede proporcionarle el software más reciente.

Seleccione el engranaje mecánico 2 si se va a utilizar un cortamuro WS 482.

Seleccione el modo de funcionamiento.

Los modos de transmisión se cambian en el control remoto que se suministra con el equipo cortamuro. Puede cambiar las herramientas entre la hoja y el anclaje de la cadena del cortamuro pulsando los botones de flecha arriba y abajo.

La unidad de alimentación puede mostrar más opciones. Asegúrese de haber elegido el modo adecuado para la herramienta que se dispone a usar.

Si se escoge un modo de transmisión incorrecto, las herramientas podrían sufrir un desgaste excesivo.

Calibración

Si el anclaje de la cadena del cortamuro no curta en línea recta la pared, es posible que tenga que volver a calibrar los sensores de posición.

- 1 Utilice la rotación del brazo para mover la sierra hasta la posición externa. Las dos asas deben estar completamente paralelas.

- 2 Pulse el menú, seleccione la opción de calibrar la posición del brazo y acepte. La posición ya está calibrada.

Para más información, consulte el manual de usuario de la unidad de alimentación de Husqvarna.

Parada

- Cuando haya terminado de cortar, retire la espada de la unidad WSC 40 de la pared, desconecte la rotación de la hoja y el flujo de agua.
- Apague la unidad eléctrica.

Desmontaje de la sierra

- 1 Espere a que el motor se pare totalmente.
- 2 Desconecte la unidad de la alimentación.
- 3 Apague y desconecte la entrada de agua de la unidad eléctrica.
- 4 Desconecte el cable de alimentación y la manguera de agua de la unidad de serrado.
- 5 Las demás medidas se hacen en orden inverso al montaje.

Limpieza

Después de cortar hay que limpiar la sierra. Es importante limpiar todo el equipo.

¡IMPORTANTE! No utilice un equipo de limpieza a alta presión para limpiar la sierra.

Transporte y almacenamiento

Desconecte siempre la unidad eléctrica y el cable eléctrico antes de mover el equipo.

Desmunte las protecciones antisalpicaduras antes de transportar y almacenar la unidad.

Almacene la cortadora en lugar seguro fuera del alcance de los niños y personas no calificadas para su uso.

Si existe riesgo de congelación, drene el agua restante de la máquina.

Utilice las cajas suministradas para guardar el equipo.

MANTENIMIENTO

Generalidades



¡ATENCIÓN! El usuario sólo puede efectuar los trabajos de mantenimiento y servicio descritos en este manual. Los trabajos de mayor envergadura debe efectuarlos un taller de servicio oficial.

Las tareas de inspección y mantenimiento deben realizarse con el motor apagado y el conector de alimentación desenchufado.

Utilice el equipo de protección personal. Vea las instrucciones bajo el título "Equipo de protección personal".

La vida útil de la máquina puede acortarse y el riesgo de accidentes puede aumentar si el mantenimiento de la máquina no se hace de forma adecuada y si los trabajos de servicio y/o reparación no se efectúan de forma profesional. Para más información, consulte con el taller de servicio oficial más cercano.

Diríjase a su distribuidor de Husqvarna para que revise la máquina regularmente y para que realice ajustes y reparaciones básicas.

Siempre realice las tareas de mantenimiento y reparación en un lugar ordenado donde no haya residuos en el suelo.

Programa de mantenimiento

En el programa de mantenimiento podrá ver qué piezas de la máquina requieren mantenimiento y cada cuánto tiempo deberá realizarse. Los intervalos se calculan en función del uso diario de la máquina y pueden depender de la velocidad de uso.

	Mantenimiento diario	Por cada metro cuadrado de corte
Limpieza	Limpieza externa	
Engrasado	Pulverizar aceite sobre la cadena y la espada guía.	Engrasar la espada guía con 2 o 3 pasadas en el punto de lubricación
	Engrasar la espada guía. Aplicar en el punto de lubricación hasta que la espada de la cadena se llene de grasa.	
Inspección funcional	Inspección general	
	Sistema de agua	
	Cubierta y protecciones antisalpicaduras	
	Espada guía, cadena de diamante y piñón de arrastre	

Limpieza

Limpieza externa

El anclaje de la cadena del cortamuro se debe limpiar una vez se haya terminado el corte. Utilice el cepillo de limpieza que se entrega con el cortamuro y conéctelo a la manguera de agua. Limpie todos los equipos del sistema.



¡ATENCIÓN! No utilice limpiadores de alta presión para limpiar la máquina.

Inspección funcional

Inspección general



¡ATENCIÓN! No usar nunca cables dañados, puesto que pueden causar daños personales graves e incluso mortales.

- Compruebe que los tornillos y las tuercas estén apretados.
- Compruebe que todas las superficies estén limpias.
- Compruebe la cubierta y las protecciones antisalpicaduras para detectar posibles desperfectos o signos de desgaste.
- Compruebe el desgaste de la rueda motriz.
- Compruebe la cadena y la espada de la cadena para detectar posibles desperfectos y signos de desgaste.
- Controle el tensado de la cadena.
- Compruebe la función de tensión de la cadena.
- Compruebe regularmente el nivel de desgaste del piñón de arrastre de la cadena y cámbielo si presenta un desgaste anormal.

Desmontaje antes de revisar

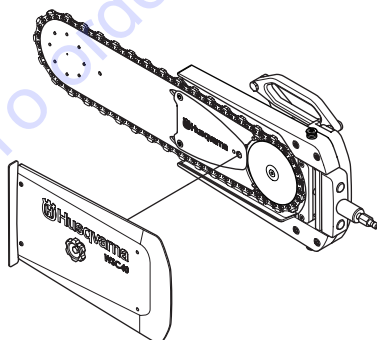


¡ATENCIÓN! Desconecte siempre el cable de alimentación que se encuentra enchufado a la unidad de corte antes de realizar cualquier trabajo de instalación, desmontaje, limpieza y mantenimiento.

- 1 Desconecte las mangueras de agua de la unidad de corte y cuélguelas en el lugar designado en el carrito de transporte.

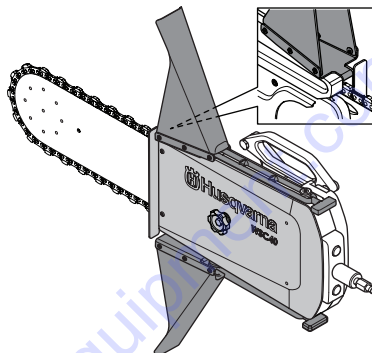
Desconecte las mangueras de agua de la unidad de corte y cuélguelas en el lugar previsto del carro de transporte o la caja.

- 2 Retire las protecciones antisalpicaduras.
- 3 Desenrosque el perno del asa y retire la cubierta.



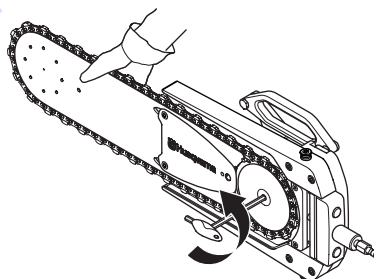
Cubierta y protecciones antisalpicaduras

Compruebe la cubierta y la protección antisalpicaduras. Asegúrese de que no hay grietas o agujeros provocados por el impacto de objetos en la tapa de la transmisión y la protección antisalpicaduras. Sustituya la cubierta o protección dañada.

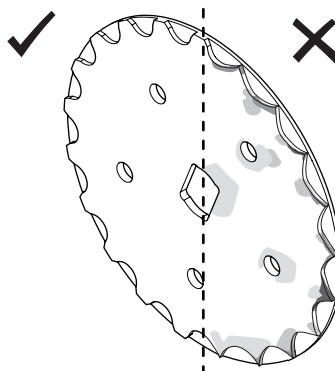


Piñón de arrastre de la cadena

- 1 Sujete la cadena con una sola mano y desenrosque el tornillo con la llave Allen que se proporciona. Retire la arandela de sujeción.

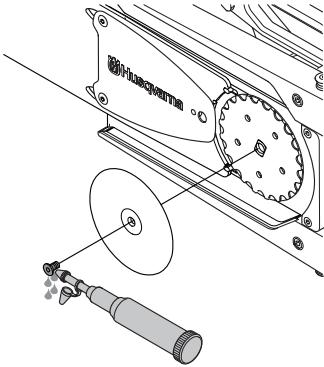


- 2 Compruebe regularmente el nivel de desgaste del piñón de arrastre de la cadena y cámbielo si presenta un desgaste anormal.

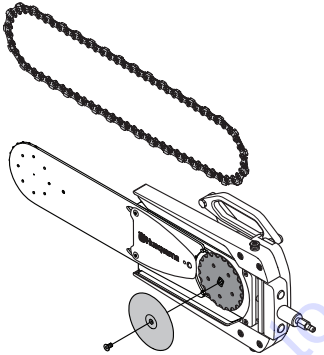


MANTENIMIENTO

- 3 Cuando se haya aflojado el piñón de arrastre, el tornillo, las roscas y la cabeza del tornillo deben engrasarse. Si el tornillo no está correctamente engrasado, se aflojará.

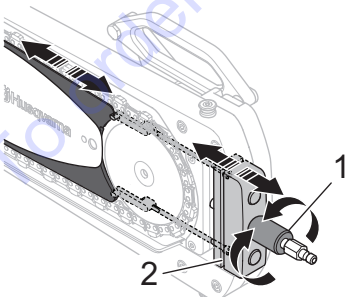


- 4 Apriete siempre el tornillo a un par de 20 Nm (15 lb-ft).



Cadena

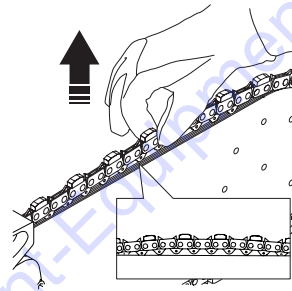
- 1 Desatornille el asa (1) por completo para aflojar la tensión de la cadena.



- 2 Tire de la cadena para liberar el mecanismo de tensión (2) y quite la cadena.

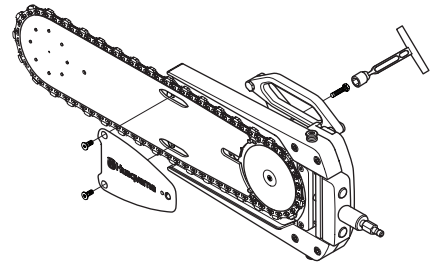
- 3 Inspeccione la cadena para detectar posibles desperfectos o signos de desgaste. Si es necesario, monte una cadena nueva en la espada de la cadena.
- 4 La tensión de la cadena se ajusta con la palanca (1).

¡NOTA! La tensión correcta de la cadena de diamante en esta máquina difiere de las de otras motosierras. Cuando la cadena está perfectamente tensa, se encuentra tirante en la espada de la cadena y forma un círculo perfecto alrededor de esta última. Después de tensar, todavía debería ser posible levantar la cadena para que las guías de la cadena se sitúen paralelas a la espada de la cadena y para que la cadena se mueva con facilidad.

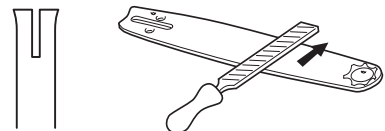


Espada

- 1 Utilice la llave T de 13 mm para retirar el tornillo que sujeta la espada guía.



- 2 Utilice la llave Allen que se proporciona para quitar los 2 tornillos avellanados. Conserve los tornillos. Si es necesario sustituir estos tornillos, utilice solamente los tornillos del listado de piezas ilustrado (IPL).
- 3 Retire la espada guía y compruebe si hay desgaste.
- 4 Compruebe si hay rebabas en los bordes de la espada. Si es necesario, quítelas con una lima.

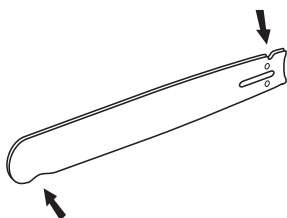


MANTENIMIENTO

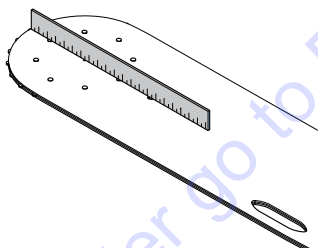
- 5 Compruebe si la ranura de la espada está excesivamente desgastada. Sustituya la espada si es necesario.



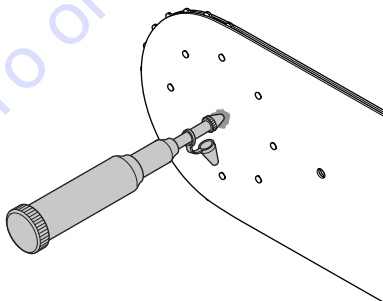
- 6 Compruebe si la puntera de la espada presenta un perfil irregular o si está muy desgastada. Si se ha formado una cavidad en la parte inferior de la puntera, se debe a que la máquina se ha utilizado con una cadena floja. Para prolongar la vida útil de la espada, cambie el sentido de rotación de la cadena en los ajustes del control remoto. Para obtener información, consulte el manual de usuario de la unidad de alimentación de Husqvarna.



- 7 Utilice una regla para comprobar que la espada no se encuentre doblada. Coloque la regla apoyada sobre la parte delantera de la espada. La regla se debe alinear con la espada.

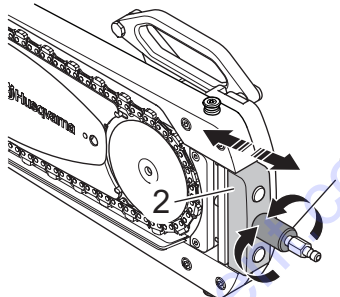


- 8 Engrase la espada guía y la cadena de diamante todos los días.

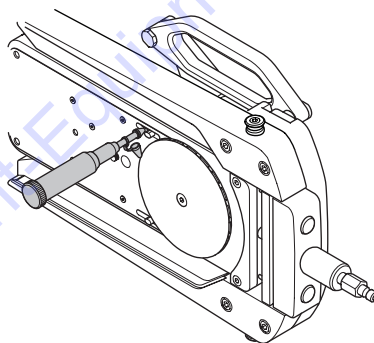


Función de tensión de la cadena

- 1 Tire del bloque de color gris para comprobar la elasticidad.

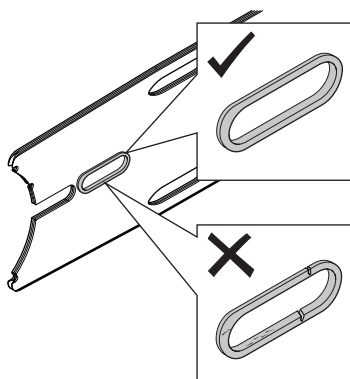


- 2 Limpie las ranuras y engráselas.



Aro de sellado

- 1 Compruebe si el sellado presenta desgaste. Sustitúyalo si es necesario.

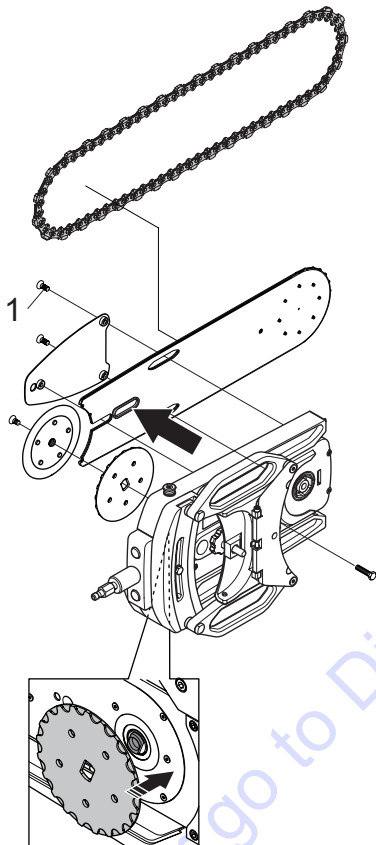


- 2 Limpie todas las superficies.

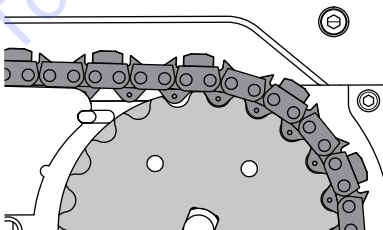
MANTENIMIENTO

Montaje después de mantenimiento

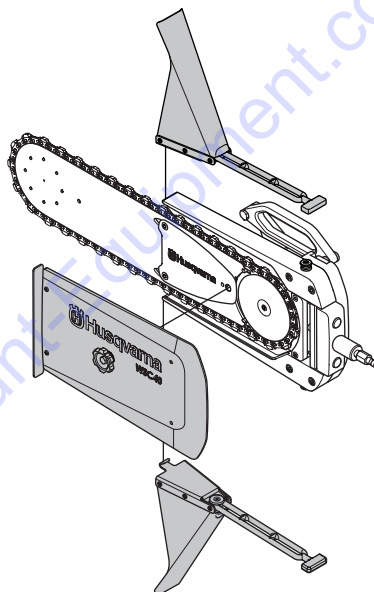
- 1 Coloque el piñón de arrastre en el eje de salida.
- 2 Realice el montaje según se indica en la ilustración.



- 3 Apriete los 2 tornillos avellanados (1) a un par de apriete de 20 Nm.
- 4 Coloque la cadena en la espada de la cadena y asegúrese de que la cadena acompañe a los piñones delanteros y los piñones de arraste con cuidado.



- 5 Cuando se haya aflojado el piñón de arraste, el tornillo, las roscas y la cabeza del tornillo deben engrasarse. Si el tornillo no está correctamente engrasado, se aflojará. Apriete siempre el tornillo a un par de 20 Nm (15 lb-ft).
- 6 Utilice la manija de giro para ajustar la tensión de la cadena. Compruebe la tensión de la cadena. Apriete la arandela de sujeción con el perno. Utilice un par de apriete de 20 Nm (15 lb-ft).
- 7 Vuelva a colocar la cubierta. Apriete la manija con cuidado a mano.



LOCALIZACIÓN Y CORRECCIÓN DE AVERÍAS

Tabla de localización de fallos



¡ATENCIÓN! Si los servicios o la localización de fallos no necesitan que la máquina esté encendida, debe apagar el motor y colocar el botón de parada en la posición STOP.

Problema	Causa probable	Posible solución
A la máquina le cuesta funcionar o no penetra en el material.	Desgaste de la cadena o de la espada.	Inspecciónela y cámbiela si es necesario.
	Se deben poner a trabajar diamantes nuevos en la cadena.	Cambie el sentido de rotación de la cadena.
La sierra funciona torcida.	Desgaste de la cadena o de la espada.	Inspecciónela y cámbiela si es necesario.
	El manillar de la unidad de corte está doblada.	Ajuste o sustituya el manillar.
Al equipo de corte le cuesta funcionar, también fuera del material.	Exceso de grasa durante la lubricación.	Deje que la sierra gire fuera del material durante un minuto.
	Montaje incorrecto.	Compruebe si los siguientes elementos se han montado de forma incorrecta: arandela de sujeción, piñón de arrastre, cadena, espada, eje.
	Óxido o corrosión.	Utilice grasa para lubricar. Cambie las piezas que presenten una corrosión avanzada.
La espada vibra a ciertos regímenes de revoluciones.	La rueda motriz está gastada.	Inspecciónela y cámbiela si es necesario.
El nivel de vibraciones es demasiado alto	Cadena de diamante montada incorrectamente	Compruebe que la espada y la cadena de diamante están bien colocadas y que no están dañadas. Consulte las instrucciones de los apartados 'Cadenas de diamante' y 'Mantenimiento'.
Desgaste anómalo de la cadena o de la espada.	Se usa poca agua para cortar.	Cambie la cadena de diamante y asegúrese de que está intacta.
	Salida de potencia excesiva en PP 480 o PP 490.	Asegúrese de haber seleccionado el modo de corte en 'cadena' en el control remoto. Si este modo falta, póngase en contacto con un taller de servicio de Husqvarna para realizar una actualización de software.
	Tensión de la cadena incorrecta	Ajuste la tensión de la cadena.
	Holgura en el montaje/montaje incorrecto.	Mueva la máquina adelante y atrás para comprobar que todas las piezas estén montadas correctamente y que el soporte de pared sea correcto.
En cortes profundos, la máquina se arquea.	La espada está dañada.	Daño permanente. Cambie la espada.
	El corte se ha realizado sin efectuar un corte preciso con la hoja.	Daño permanente. Cambie la espada.
	Ha golpeado un trozo de hierro dispuesto en sentido longitudinal.	Mueva la sierra de lado a lado y haga un corte nuevo.

LOCALIZACIÓN Y CORRECCIÓN DE AVERÍAS

WSC 40

Potencia máxima de entrada (kW)	9,2
Entrada, máx. (r/min)	1200
Mecanismo de transmisión	Transmisión por engranajes
Entrada de torsión de la transmisión, máx. (Nm)	230
Volumen de aceite de la caja de cambios (dl/fl oz)	1,5/5
Presión del agua de refrigeración, máx. (bar/PSI)	10/145
Caudal de agua mínimo recomendado (l/min / gal/min)	3,5/1
Temperatura máxima del agua de refrigeración a 3,5 l/min / 1 gal/min (C/F)	60/140

Peso

WSC 40 con dos protectores (kg/lb)	19/42
Peso total con caja de transporte (kg/lb)	27/60

Especificación del equipo de corte recomendado, cadena

Espada y cadena de diamante	Número de segmentos de la cadena de diamante:	Paso de cadena de diamante, (mm/pulg.)	Anchura del segmento de la cadena de diamante (mm/pulg.)	Velocidad máxima de la cadena (m/s / ft/s)
24" (0,444")	37	11,582/0,444	5,7/0,22	28/92

Especificación del equipo de corte recomendado, espada guía

Longitud de la espada guía (mm/pulg.)	Profundidad máxima de corte recto (mm/pulg.)	Profundidad máxima de corte (mm/pulg.)	Anchura mínima de corte (mm/pulg.)	Anchura de la espada guía con cadena (mm/pulg.)	Anchura de la espada guía (mm/pulg.)
614/24	300/12	400/15,7	200/8	192/8	154/6

To order go to Discount-Equipment.com

EN - Original instructions FR - Instructions d'origine
ES - Instrucciones originales

1157525-49



2017-07-07

TO PURCHASE THIS PRODUCT PLEASE CONTACT US



**Equipment Financing and
Extended Warranties Available**



**Discount-Equipment.com is your online resource for
commercial and industrial quality parts and equipment sales.**

561-964-4949

visit us on line @ www.discount-equipment.com

Select an option below to find your Equipment

Search by Manufacturer

Search by Product Type

Request a Quote

We sell worldwide for the brands: Genie, Terex, JLG, MultiQuip, Mikasa, Essick, Whiteman, Mayco, Toro Stone, Diamond Products, Generac Magnum, Airman, Haulotte, Barreto, Power Blanket, Nifty Lift, Atlas Copco, Chicago Pneumatic, Allmand, Miller Curber, Skyjack, Lull, Skytrak, Tsurumi, Husquvarna Target, Stow, Wacker, Sakai, Mi-T-M, Sullair, Basic, Dynapac, MBW, Weber, Bartell, Bennar Newman, Haulotte, Ditch Runner, Menegotti, Morrison, Contec, Buddy, Crown, Edco, Wyco, Bomag, Laymor, EZ Trench, Bil-Jax, F.S. Curtis, Gehl Pavers, Heli, Honda, ICS/PowerGrit, IHI, Partner, Imer, Clipper, MMD, Koshin, Rice, CH&E, General Equipment, Amida, Coleman, NAC, Gradall, Square Shooter, Kent, Stanley, Tamco, Toku, Hatz, Kohler, Robin, Wisconsin, Northrock, Oztec, Toker TK, Rol-Air, APT, Wylie, Ingersoll Rand / Doosan, Innovatech, Con X, Ammann, Mecalac, Makinex, Smith Surface Prep, Small Line, Wanco, Yanmar