

**Operator's manual Bruksanvisning
Brugsanvisning Bruksanvisning Käyttöohje**

WSC 40

Please read the operator's manual carefully and make sure you understand the instructions before using the machine

Läs igenom bruksanvisningen noggrant och förstå innehållet innan du använder maskinen.

Læs brugsanvisningen omhyggeligt igennem og forstå indholdet, inden du bruger maskinen.

Les nøye gjennom bruksanvisningen og forstå innholdet før du bruker maskinen.

Lue käyttöohje huolellisesti ja ymmärrä sen sisältö, ennen kuin alat käyttää konetta.



GB SE DK NO FI

TO PURCHASE THIS PRODUCT PLEASE CONTACT US



**Equipment Financing and
Extended Warranties Available**



**Discount-Equipment.com is your online resource for
commercial and industrial quality parts and equipment sales.**

561-964-4949

visit us on line @ www.discount-equipment.com

Select an option below to find your Equipment

Search by Manufacturer

Search by Product Type

Request a Quote

We sell worldwide for the brands: Genie, Terex, JLG, MultiQuip, Mikasa, Essick, Whiteman, Mayco, Toro Stone, Diamond Products, Generac Magnum, Airman, Haulotte, Barreto, Power Blanket, Nifty Lift, Atlas Copco, Chicago Pneumatic, Allmand, Miller Curber, Skyjack, Lull, Skytrak, Tsurumi, Husquvarna Target, Stow, Wacker, Sakai, Mi-T-M, Sullair, Basic, Dynapac, MBW, Weber, Bartell, Bennar Newman, Haulotte, Ditch Runner, Menegotti, Morrison, Contec, Buddy, Crown, Edco, Wyco, Bomag, Laymor, EZ Trench, Bil-Jax, F.S. Curtis, Gehl Pavers, Heli, Honda, ICS/PowerGrit, IHI, Partner, Imer, Clipper, MMD, Koshin, Rice, CH&E, General Equipment, Amida, Coleman, NAC, Gradall, Square Shooter, Kent, Stanley, Tamco, Toku, Hatz, Kohler, Robin, Wisconsin, Northrock, Oztec, Toker TK, Rol-Air, APT, Wylie, Ingersoll Rand / Doosan, Innovatech, Con X, Ammann, Mecalac, Makinex, Smith Surface Prep, Small Line, Wanco, Yanmar

KEY TO SYMBOLS

Symbols on the machine:

WARNING! The machine can be a dangerous tool if used incorrectly or carelessly, which can cause serious or fatal injury to the operator or others.



Please read the operator's manual carefully and make sure you understand the instructions before using the machine.



Always wear:

- Approved protective helmet
- Approved hearing protection
- Protective goggles or a visor
- Breathing mask



Risk of cutting. Keep all parts of your body away from the cutting equipment.



Flying object hazard. The operator must always stand at an angle diagonally behind an operating saw, to prevent the risk of being struck by objects from the material.



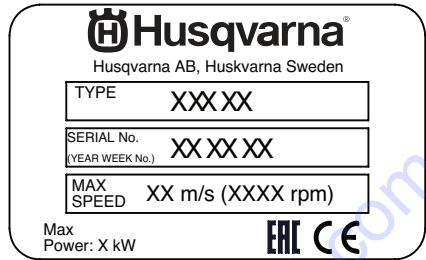
Keep a safe distance from the machine. For the operator the minimum safety margin to moving parts during operation is 4 meters (13 ft).



This product is in accordance with applicable EC directives.



Machine marking plate



Row 1: Brand

Row 2: Manufacturer's address

Row 3: Type

Row 4: Serial number (year, week, number)

Row 5: Max speed

Row 6: Max power, certification symbols applicable to certain markets.

Explanation of warning levels

The warnings are graded in three levels.

WARNING!



WARNING! Used if there is a risk of serious injury or death for the operator or damage to the surroundings if the instructions in the manual are not followed.

IMPORTANT!



IMPORTANT! Used if there is a risk of injury to the operator or damage to the surroundings if the instructions in the manual are not followed.

CAUTION!



CAUTION! Used if there is a risk of damage to materials or the machine if the instructions in the manual are not followed.

Other symbols/decals on the machine refer to special certification requirements for certain markets.

CONTENTS

Contents

KEY TO SYMBOLS

Symbols on the machine:	2
Machine marking plate	2
Explanation of warning levels	2

CONTENTS

Contents	3
----------------	---

PRESENTATION

Dear Customer,	4
Design and features	4
WSC 40	4

WHAT IS WHAT?

What is what on WSC 40?	5
-------------------------------	---

MACHINE'S SAFETY EQUIPMENT

General	6
---------------	---

DIAMOND CHAINS

General	7
Check the chain	7
Check the saw	7
Material	7
Glazing	7
Transport and storage	7

ASSEMBLING AND ADJUSTMENTS

General	8
Mount wall mountings and rail	8
Mount the saw carriage and saw	8
Checking that the blade guard guide is parallel with the blade	8
Mount the wall saw chain attachment	8
Fitting diamond chain	10
How to tension the diamond chain	10
Mounting spray guard	10
Connect the power pack	11
Dismount the attachment	11

OPERATING

Protective equipment	12
Basic working techniques	14
Recommended chain speed	16

STARTING AND STOPPING

Before starting	17
Starting	17
Select drive mode.	17
Calibration	17
Stopping	17
Dismantling the saw	17
Cleaning	17

MAINTENANCE

General	18
Maintenance schedule	18
Cleaning	18
Functional inspection	19

TROUBLESHOOTING

Troubleshooting schedule	23
--------------------------------	----

TECHNICAL DATA

WSC 40	24
Recommended cutting equipment specification, chain	24
Recommended cutting equipment specification, guide bar	24
EC Declaration of Conformity	25

PRESENTATION

Dear Customer,

Thank you for choosing a Husqvarna product!

It is our wish that you will be satisfied with your product and that it will be your companion for a long time. A purchase of one of our products gives you access to professional help with repairs and services. If the retailer who sells your machine is not one of our authorized dealers, ask him for the address of your nearest service workshop.

This operator's manual is a valuable document. Make sure it is always at hand at the work place. By following its content (operating, service, maintenance etc.) the life span and the second-hand value of the machine can be extended. If you will sell this machine, make sure that the buyer will get the operator's manual.

More than 300 years of innovation

Husqvarna AB is a Swedish company based on a tradition that dates back to 1689, when the Swedish King Karl XI ordered the construction of a factory for production of muskets. At that time, the foundation was already laid for the engineering skills behind the development of some of the world's leading products in areas such as hunting weapons, bicycles, motorcycles, domestic appliances, sewing machines and outdoor products.

Husqvarna is the global leader in outdoor power products for forestry, park maintenance and lawn and garden care, as well as cutting equipment and diamond tools for the construction and stone industries.

Owner responsibility

It is the owner's/employer's responsibility that the operator has sufficient knowledge about how to use the machine safely. Supervisors and operators must have read and understood the Operator's Manual. They must be aware of:

- The machine's safety instructions.
- The machine's range of applications and limitations.
- How the machine is to be used and maintained.

National legislation could regulate the use of this machine. Find out what legislation is applicable in the place where you work before you start using the machine.

The manufacturer's reservation

Subsequent to publishing this manual Husqvarna may issue additional information for safe operation of this product. It is the owner's obligation to keep up with the safest methods of operation.

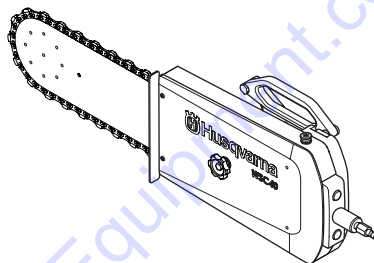
Husqvarna AB has a policy of continuous product development and therefore reserves the right to modify the design and appearance of products without prior notice.

Design and features

Values such as high performance, reliability, innovative technology, advanced technical solutions and environmental considerations distinguish Husqvarna's products. Safe operation of this product requires the operator to read this manual carefully. Ask Discount-equipment if you need more information.

Some of the unique features of your product are described below.

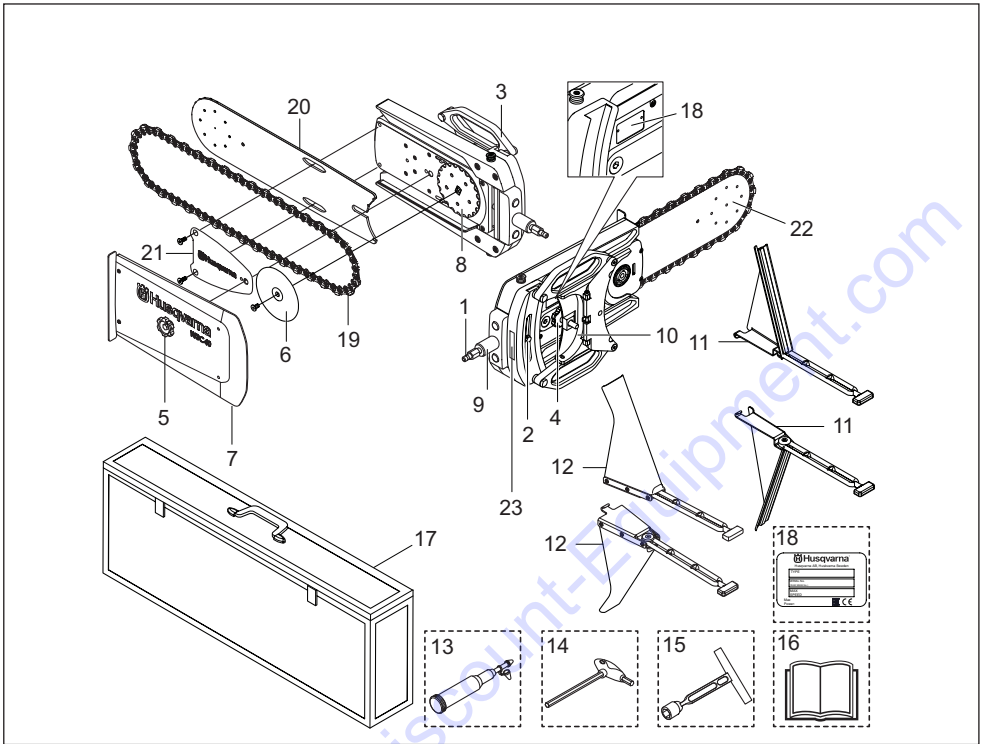
WSC 40



This wall saw chain attachment is a part of a wall saw system and works with the wall saws WS 440 and WS 482. The wall saw chain attachment is designed to cut hard materials like reinforced concrete, masonry and stone and should not be used for any purpose not described in this manual. To operate this machine a Husqvarna WS 440/WS 482 and a Husqvarna high frequency power pack are required.

- This wall saw chain attachment is used to avoid overcuts when cutting openings.
- The machine enables cutting of smaller openings for ventilation, pipes, etc.
- The chain speed is electronically controlled and adjusted using the remote control for the power unit.
- Same alignment between chain and track, as WS 440 and WS 482 with blade.
- The chain's direction of rotation can be controlled with the remote control which allows one to choose the direction of the water spray.
- The design is lightweight, compact and ergonomic which makes the machine easy to transport.
- The specific software for WSC 40 is installed in the power pack and makes automatic adjustments of the feed motor movements to create straight plunge cuts. Make sure that you have the latest software installed in your power pack.

WHAT IS WHAT?



What is what on WSC 40?

- | | | | |
|----|-------------------------------|----|-----------------------|
| 1 | Hose connection, water in | 13 | Grease gun |
| 2 | Angle adjustment screw | 14 | Allen key (5 mm) |
| 3 | Parallel handle | 15 | T-box spanner (13 mm) |
| 4 | Locking knob for clamp | 16 | Operator's manual |
| 5 | Locking knob | 17 | Storage box |
| 6 | Clamping washer | 18 | Machine marking plate |
| 7 | Transmission cover | 19 | Diamond chain |
| 8 | Chain drive sprocket | 20 | Guide bar |
| 9 | Chain tension adjustment knob | 21 | Clamping plate |
| 10 | Clamp for wall saw handle | 22 | Nose wheel |
| 11 | Flush cutting guard | 23 | Warning decal |
| 12 | Spray guard | | |

MACHINE'S SAFETY EQUIPMENT

General

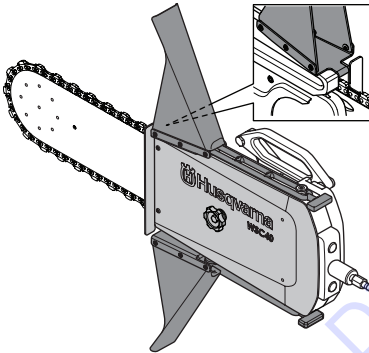
This section describes the machine's safety equipment, its purpose, and how checks and maintenance should be carried out to ensure that it operates correctly. See the "What is what?" section to locate where this equipment is positioned on your machine.



WARNING! Never use a machine that has faulty safety equipment! Safety equipment must be inspected and maintained. If the safety equipment or any machine parts are damaged in any way take it to a service workshop for repair.

Cover and spray guards

The cover and the spray guard must always be used when sawing.



The cover and spray guard provide protection against contact with moving parts, ejected debris, thrown water and concrete slurry. The spray guards are also designed to catch the diamond chain if it snaps or jump off.

We recommend that both spray guards are fitted but in some applications (sawing aligned to floor or ceiling) one spray guard might be temporarily removed. At least the spray guard in the direction of the spray must be fitted. Put back the removed spray guard after cut.

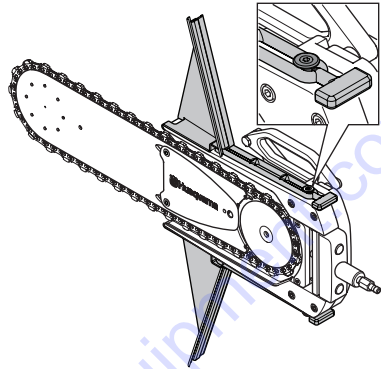
Check the cover and the spray guard.

Ensure there are no cracks or holes from slurry blasting in the cover and guards.

Replace cover or guards if damaged.

Guards for flush cutting

This machine can be used for flush cutting. For flush cutting specially designed spray guards are used. These guards are only allowed for flush cutting.



Check the guards for damages or wear. Ensure there are no damages on the guards. Replace the guards if damaged.

Power pack

Make sure to check the safety equipment on the supplied power pack. See the operator's manual for the power pack.

Also check the safety instructions and the operator's instructions in the operator's manuals for actual wall saw and power pack to be used.

DIAMOND CHAINS

General



WARNING! Chain breakage can result in serious injury if the chain is thrown towards the operator. Faulty cutting equipment or the wrong combination of bar and chain increases the risk of kickback! Use only the bar and chain combinations that we recommend.

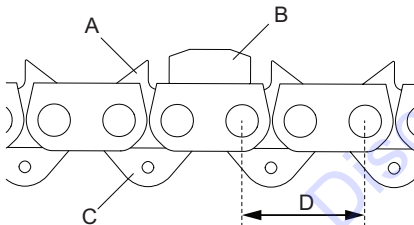


WARNING! Always disconnect the power cable to the saw unit before installation, cleaning and maintenance. Carelessness can result in serious personal injury or even death.



WARNING! Always wear gloves, when working with the chain.

- A) Drive link with bumper
- B) Cutting link with diamond segment
- C) Chain guide



Diamond chain pitch: $\text{Pitch} = D/2$

This unit must only be used with a double bumper chain since the machine can be operated in double rotation directions.

When using a chain with double bumpers, the chain can be fitted either way round.

Check the chain

- Check that the chain does not show signs of damage in the form of play on the links, broken raker or drive links or broken segments. If the diamond chain is damaged replace it.
- If the chain has been exposed to hard jamming or other abnormal overloading, the chain should be dismantled from the bar for careful inspection.

Check the saw

The saw is equipped with a number of safety features that protect the operator in the event of chain breakage. These safety features must be checked before work starts. Never use the saw if any of the following parts are damaged or missing:

- Transmission cover
- Damaged chain
- Damaged or missing spray guard

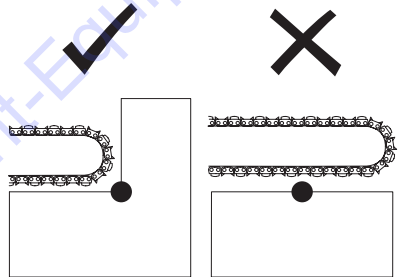
Material



WARNING! Under no circumstances may the diamond chain saw be converted to cut other materials than those it is intended for. It must never be equipped with a timber/wood saw chain.

This machine is designed for and intended for sawing concrete, brick and different stone materials. All other use is improper.

The saw must never be used to cut pure metals. This will probably result in broken segments or chain breakage. The diamond segment can cut reinforced concrete. Try to cut the reinforcement together with as much concrete as possible, this will save the chain.



Glazing

After cutting extremely hard concrete or stone the diamond segment may lose some or all of its cutting capacity. This can also occur if you are forced to cut with a low partial pressure (the diamond chain runs against the workpiece along the entire length of the bar). The solution to the problem is to change the rotation direction of the chain.

Transport and storage

- After completed work, the diamond chain saw shall be run with water pressure for at least 15 sec. to clean bar, chain and drive mechanism of particles. Rinse the machine with water. If the machine is not to be used for a while, we recommend oiling the chain and bar to prevent corrosion.
- Inspect all cutting equipment for transport and storage damage.

ASSEMBLING AND ADJUSTMENTS

General



WARNING! Always disconnect the power cable to the saw unit before installation, cleaning and maintenance. Carelessness can result in serious personal injury or even death.

Mount wall mountings and rail

Assemble the system according to operator's manual for actual wall saw.

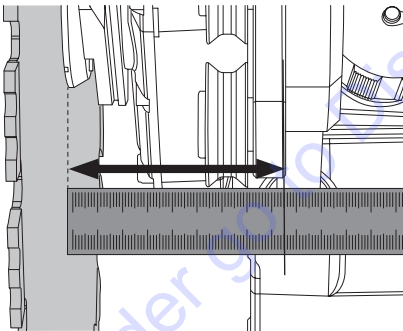
Mount the saw carriage and saw

Assemble the system according to operator's manual for actual wall saw.

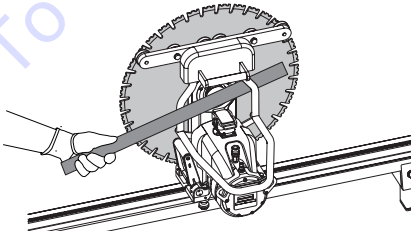
Checking that the blade guard guide is parallel with the blade

For alignment of the WSC 40 to the cut, make sure no deformation has occurred on the handle bar on the wall saw.

- 1 Mount the blade guard guide on the guide and measure between each of the end wheels and the blade. The measurement between the outside of the wheel guide and the blade shall be approximately 102 +/- 2 mm.



- 2 If the difference is larger than 2 mm, take away the guide and adjust the frame with an iron bar to get the guide parallel to the blade.



Mount the wall saw chain attachment

IMPORTANT! Always keep the machine in the provided box when not in use.



WARNING! Protect your hands with gloves.



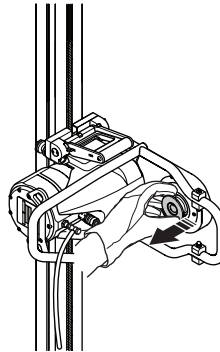
WARNING! Only one person should perform the mounting procedure of the machine to be able to prevent unforeseen events.



WARNING! Risk of crush injuries! Hold the machine steadily.

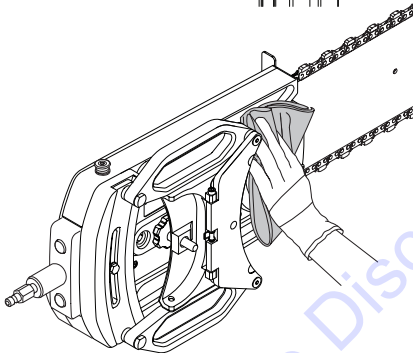
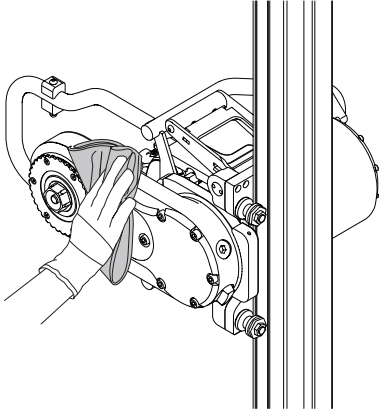
IMPORTANT! Keep the floor clean during mounting. Make sure that no objects are in the way.

- 1 Remove the blade and the blade flange according to the operator's manual of the actual wall saw.
- 2 Make sure that the spindle hub is in the outer position. It is not possible to attach WSC 40 if the hexagon shaft is in the inner position.

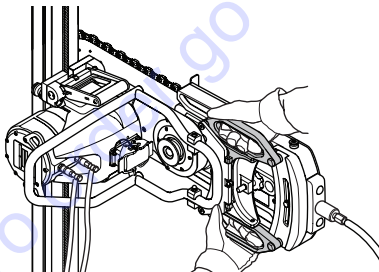


ASSEMBLING AND ADJUSTMENTS

- 3 Make sure that the surfaces on the machine and on the saw head are clean.

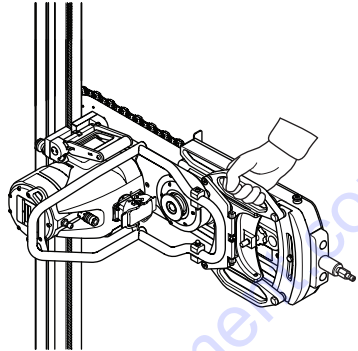


- 4 Use both hands to lift up the machine in the parallel handle from the storage box.

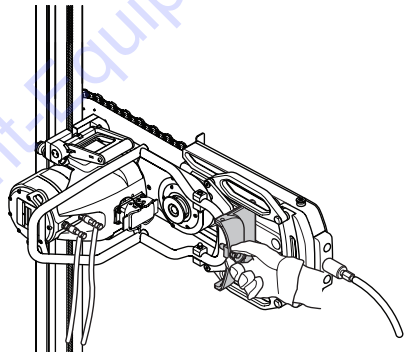


- 5 Slide the WSC 40 onto the wall saw arm. Push on the hexagon shaft while moving the unit carefully around the center to align the shaft. The shaft should now be in its intermediate locked position. Check by pulling

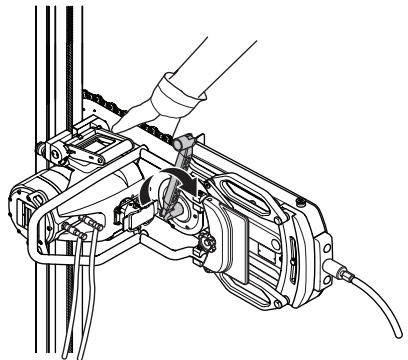
- the wall saw chain attachment. Make sure that the machine is locked on the saw arm.



- 6 Fold over the clamp that locks the attachment to the handle bar. Tighten the locking knob.

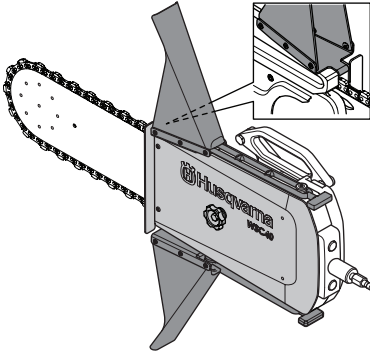


- 7 Tighten the machine to the saw head with the bolt in the spindle hub. Put one hand on the chain for resistance. Don't forget to wear gloves. Use the 18 mm wrench provided in the tool box. Use the tightening torque 70-80 Nm (52-59 ft-lbs).

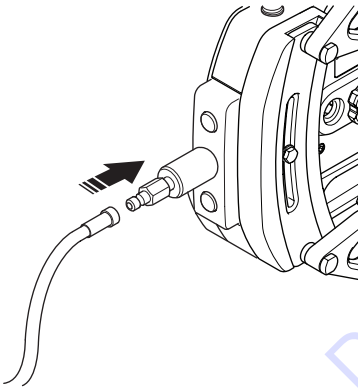


ASSEMBLING AND ADJUSTMENTS

- 8 Mount the spray guards.



- 9 Connect the water hose.



WARNING! Check that the assembly is correct before connecting the power cable.

Fitting diamond chain



WARNING! Never mount or dismount the tool or the guards without first disconnecting the power cable from the saw unit. Carelessness can result in serious personal injury or even death.



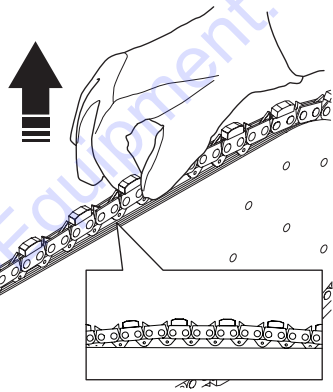
WARNING! Exercise care when assembling the wall saw chain attachment so that it does not loosen when cutting. Carelessness can result in serious personal injury or even death.

How to tension the diamond chain

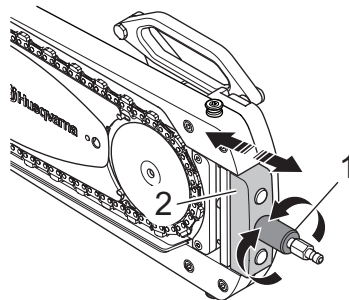


WARNING! A slack diamond chain may jump off and cause serious or even fatal injury.

The correct diamond chain tension on this machine differs from other chain saws. When the chain is perfectly tensioned the chain is tight to the chain bar and in a perfect circle around the chain bar. After tensioning it should still be possible to lift up the chain so the chain guides are parallel to the chain bar and to move the chain easily.



Loosen the screw for the clamping washer from behind using a 13mm t-box spanner. Use the adjustment knob to tension the chain.



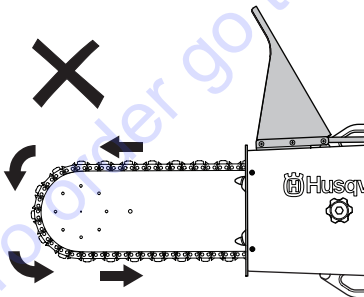
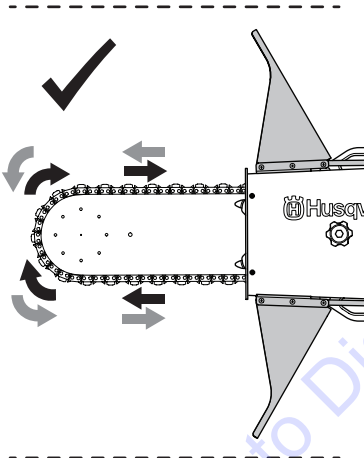
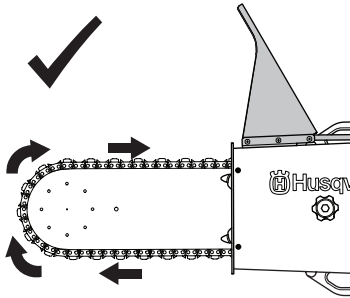
Mounting spray guard

The spray guard for the cutting equipment should be mounted on the sides of the machine with rubber straps. Spatter and sparks from the material being cut are then collected by the guard and led away from the user.

Since the diamond chain rotation direction can be selected, the water spray direction from the chain can also be selected regardless of how the saw is turned on the rail.

ASSEMBLING AND ADJUSTMENTS

Both when the saw is used for flush cutting or normal cutting, the spray guards are mounted in the direction of chain rotation.



Connect the power pack



WARNING! This product is only intended for use together with the Husqvarna PP 400 series power packs. All other use is forbidden.

Read through the manual supplied with the power pack before starting to use the machine.

Maximum power to the unit is 9,2 kW and therefore 16 A mode is shown when using WSC 40 with PP 480 and PP 490. This is automatically set when chain mode is selected in the remote. Check that the power pack is updated with latest software.

Dismount the attachment



WARNING! Always disconnect the power cable to the saw unit before installation, disassembly, cleaning and maintenance. Carelessness can result in serious personal injury or even death.

- 1 Disconnect the incoming power lead and incoming water hose.
- 2 Remove the spray guards.
- 3 Place a hand on the chain to prevent it from moving and loosen the bolt in the spindle hub with the 18 mm wrench. Unscrew the bolt and make sure that the spindle hub is in intermediate position.
- 4 Take a firm grip around the water connection on WSC 40. Unscrew the locking knob on the locking clamp. Fold the locking clamp over to secure the parallel handles.
- 5 Take a firm grip in the parallel handle with the free hand. Pull out the spindle hub on the wall saw arm to its outer position. Remove the machine.
- 6 Always keep the machine in the provided box when not in use.

OPERATING

Protective equipment

General

Do not use the machine unless you are able to call for help in the event of an accident.

Personal protective equipment

You must use approved personal protective equipment whenever you use the machine. Personal protective equipment cannot eliminate the risk of injury but it will reduce the degree of injury if an accident does happen. Ask your dealer for help in choosing the right equipment.



WARNING! The use of products such as cutters, grinders, drills, that sand or form material can generate dust and vapours which may contain hazardous chemicals. Check the nature of the material you intend to process and use an appropriate breathing mask.

Long-term exposure to noise can result in permanent hearing impairment. So always use approved hearing protection. Listen out for warning signals or shouts when you are wearing hearing protection. Always remove your hearing protection as soon as the engine stops.

There is always a risk of crush injuries when working with products containing moving parts. Wear protective gloves to avoid body injuries.

Always wear:

- Approved protective helmet
- Hearing protection
- Approved eye protection. If you use a face shield then you must also wear approved protective goggles. Approved protective goggles must comply with standard ANSI Z87.1 in the USA or EN 166 in EU countries. Visors must comply with standard EN 1731.
- Breathing mask
- Heavy-duty, firm grip gloves.
- Tight-fitting, heavy-duty and comfortable clothing that permits full freedom of movement. Do not wear shorts
- Boots with steel toe-caps and non-slip sole.
- Be careful as clothing, long hair, and jewellery can get caught in moving parts.

Other protective equipment



WARNING! Sparks may appear and start a fire when you work with the machine. Always keep fire fighting equipment handy.

- Fire Extinguisher
- First aid kit

General safety precautions



WARNING! Please read all safety warnings and all instructions. Failure to follow the warnings and instructions may result in electric shock, fire and/or serious injury.

This section describes basic safety directions for using the machine. This information is never a substitute for professional skills and experience. If you get into a situation where you feel unsafe, stop and seek expert advice. Contact Discount-equipment. Do not attempt any task that you feel unsure of!

- Please read the operator's manual carefully and make sure you understand the instructions before using the machine.
- Read through the manual supplied with the power pack before starting to use the machine.
- This machine is only intended for use together with a Husqvarna WS 440 /WS 482. All other use is forbidden.
- The machine can cause serious personal injury. Read the safety instructions carefully. Learn how to use the machine.
- Keep in mind that the operator is responsible for accidents or hazards occurring to other people or their property.
- All operators shall be trained in the use of the machine. The owner is responsible for ensuring that the operators receive training.
- The machine must be kept clean. Signs and stickers must be fully legible.

OPERATING

- Save all warnings and instructions for future reference.



WARNING! The machine can be a dangerous tool if used incorrectly or carelessly, which can cause serious or fatal injury to the operator or others.

Never allow children or other persons not trained in the use of the machine to use or service it.

Never allow anyone else to use the machine without first ensuring that they have read and understood the contents of the operator's manual.



WARNING! Unauthorized modifications and/or accessories may lead to serious injury or death to the user or others.

Do not modify this product or use it if it appears to have been modified by others.

Never use a machine, battery or battery charger that is faulty. Carry out the checks, maintenance and service instructions described in this manual. Some maintenance and service measures must be carried out by trained and qualified specialists. See instructions under the heading Maintenance.

Only use original spare parts.

Always use common sense

It is not possible to cover every conceivable situation you can face. Always exercise care and use your common sense.

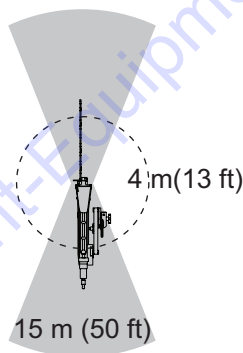
If you get into a situation where you feel unsafe, stop and seek expert advice. Contact Discount-equipment. Do not attempt any task that you feel unsure of!

Work area safety

- Always check the back of the wall where the guide bar and diamond chain comes out when cutting through. Secure, cordon off and make sure that no people can be injured or materials damaged.
- Always check and mark out where gas pipes are routed. Cutting close to gas pipes always entails danger. Make sure that sparks are not caused when cutting in view of the risk of explosion. Remain concentrated and focused on the task. Carelessness can result in serious personal injury or death.
- Make sure that no pipes or electrical cables are routed in the working area or in the material to be cut.

- Make sure there are no live electrical cables within the working area.
- Make sure no unauthorized persons are in the working area. Otherwise there is a risk of serious personal injury. The safety distance is 15 meters (50 ft).
- Do not use the machine in bad weather, such as dense fog, heavy rain, strong wind, intense cold, etc.
- Working in bad weather is tiring and can lead to dangerous conditions, e.g. slippery surfaces.
- Ensure that the working area is sufficiently illuminated to create a safe working environment.
- Always ensure you have a safe and stable working position.

The machine's risk area



WARNING! Make sure no unauthorized persons are in the working area. Otherwise there is a risk of serious personal injury. The safety distance is 15 meters (50 ft).



WARNING! For the operator the minimum safety margin to moving parts during operation is 4 meters (13 ft). The operator must always stand at an angle diagonally behind an operating saw, to prevent the risk of being struck by objects from the material. Be extra careful at start-up when the saw penetrates the material.

IMPORTANT! No persons that do not have the protective equipment described above shall be allowed inside the risk area for thrown material.

OPERATING

Electrical safety

See the electrical safety sections of the manuals for the wall saw and the power pack that is used.



WARNING! Do not pressure wash the machine, as water can enter the electrical system or the engine and cause damage to the machine or short circuit.

Personal safety

- Never leave the machine unsupervised with the motor running.
- Never saw in such a way that you cannot easily reach the emergency stop on the remote control or on the power pack. See power pack manual.
- Make sure that there is always another person close at hand when you use the machines, so that you can call for help if an accident should occur.
- People that need to be in close proximity of the machine must wear the required protective gear, including hearing protection, as the sound level when cutting exceeds 85 dB(A).
- Observe care when lifting. You are handling heavy parts, which imply the risk of pinch injuries or other injuries.
- People and animals can distract you causing you to lose control of the machine. For this reason, always remain concentrated and focused on the task.
- Be careful as clothing, long hair, and jewellery can get caught in moving parts.
- **Remove any adjusting key or wrench before turning the power tool on.** A wrench or a key left attached to a rotating part of the power tool may result in personal injury.
- Never leave the machine unsupervised with the motor running.
- Risk for crushing hazard. If incorrectly assembled the machine can fall and harm the operator.
- Observe care when lifting. You are handling heavy parts, which imply the risk of pinch injuries or other injuries.

Use and care

- Never mount or dismount tool or guards without first pulling out the power cable running to the saw unit.
- Never pull out the power cable without first switching off the power pack and waiting for the engine to come to a complete halt.
- Never cut without using correct guards.
- Check that the chain is not in contact with anything when the machine is started.
- For the operator the minimum safety margin to moving parts during operation is 4 meters (13 ft). The operator must always stand at an angle diagonally behind an operating saw, to prevent the risk of being struck by objects from the material.
- Water cooling must always be used. This cools the chain and chain bar and increases their life and prevents dust build-up.

- Check that all couplings, connections and cables are intact and free from dirt.
- Clearly mark out all cuts to be made before you start sawing, plan these so they can be carried out without danger to persons or the machine.
- Firmly secure or anchor concrete blocks before cutting. The heavy weight of cut material can cause both extensive damage to the machine and serious personal injury if it cannot be moved under controlled conditions.

Transport and storage

- Always pull out the electric cable before moving the equipment.
- Dismount the blade and blade guard before transport and storage.
- Store the equipment in a lockable area so that it is out of reach of children and unauthorized persons.
- If there is a risk of freezing, the machine must be drained of any remaining water coolant.
- Use the cases provided to store the equipment.

Basic working techniques



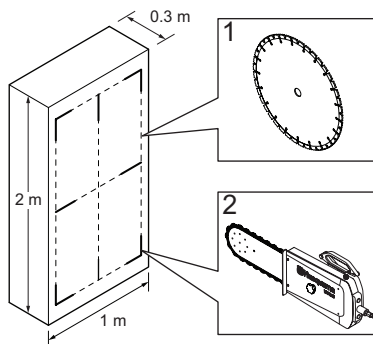
WARNING! Working technique for WSC 40 is only applicable for this product. Never adapt these working techniques for other equipment.



WARNING! Always use a blade with segments that are wider than the segments of the chain. This is extremely important if a handheld machine will be used to finish the cut. If a rail guided machine like WSC 40 is used, it can be disregarded.

Start the cutting with the wall saw with blade (1) according to the illustration. There after use the wall saw chain attachment (2) according to the illustration.

Cutting is performed according to the illustration:



OPERATING

Feed the blade 3-7 cm (1.2"-2.8"). Make the pilot cut in order to obtain a straight cut and with that a base for the next cut. The cut should be made with care. The cutting arm allows blades up to 1000 mm (40") to be used as the start blade. It is, however, recommended to start cutting with a 800 mm (31.5") blade.

- When the pilot cut is finished, a deeper cut can be made. The depth of these is determined from instance to instance and depends on factors such as hardness of the concrete, existence of reinforcing bar, etc.
- If you change blades to cut deeper in the same cut, make sure the thickness of the blade matches the width of the groove.
- Let the machine work without forcing or pressing the blade.

When the cuts with the blade are finished, replace the blade with the wall saw chain attachment and cut the remaining material to get sharp corners.

If you are cutting in a heavily reinforced concrete or hard aggregate you should start the cut A minus 50 mm (2") from the corner. Check table under overcutting for A measurements.

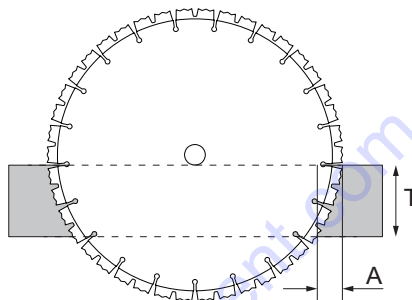
CAUTION! Change the setting in the remote control to chain mode when using the wall saw chain attachment.

Feed the wall saw chain attachment inwards in the wall and cut with the nose wheel. The software will automatically adjust the longitudinal feeding to make the cut with the nose wheel. Make sure that there is enough room for the saw carriage to the end stop of the track when cutting starts (choose the correct direction of the arm rotation).

CAUTION! Make sure that chain mode is selected in the remote control. If not, the tool will suffer excessive wear.

Overcutting

The overcutting length depends on the thickness of wall and what blade that is used.

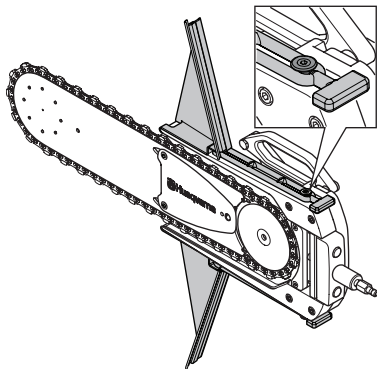


Blade size	800 mm/32"	1000 mm/40"
T (mm/inch)	A (overcutting mm/inch)	
200/8	100/4	80/3
250/10	160/6	120/5
300/12	250/10	160/6
350/14	-	230/9
400/16	-	335/13

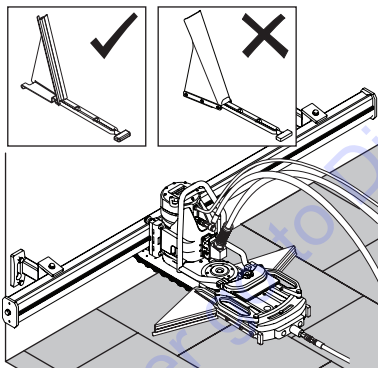
OPERATING

Flush cutting

Remove the spray guards for normal cutting and the transmission cover. Replace the spray guards with the provided guards for flush cutting.



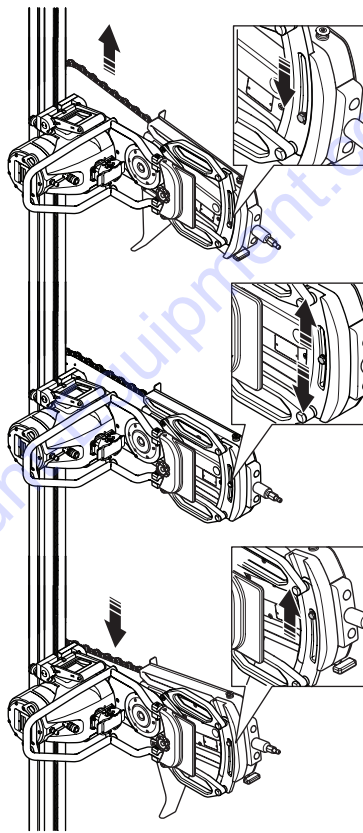
We recommend that both flush guards are fitted but in some applications (sawing aligned to the floor or the ceiling) one guard might be temporarily removed. At least the guard in the chain direction must be fitted. Replace the guard after cutting.



Angle adjustment

Angle adjustment is used to get a perfect cut in angles close to ceiling, wall or floor. Adjust the angle to its maximum position. The direction is depending on the cut.

Loosen the screw and adjust the angle.



WARNING! Always tighten the screw with tightening torque 20 Nm (15 ft-lbs).

Recommended chain speed

For best cutting performance, use full cutting speed 28 m/s (92 ft/s) in soft and medium concrete.

If WS 482 is used, make sure that mechanical gear 2 is engaged to get correct display of chain speed.

CAUTION! Cutting at too low revs can cause damages to the chain and chain bar. Check that the correct mechanical gear is selected! A lower chain speed should be used when cutting in hard concrete than if cutting in soft concrete.

STARTING AND STOPPING

Before starting

- Enclose the area to be cut so that unauthorized persons can not be injured or disturb the operator.
- Check that the blade and the blade guard are not damaged or cracked. Replace the blade or the blade guard if it has been exposed to impact or is cracked.
- Check that the chain, chain bar and the chain guards are not damaged or cracked. Replace if exposed to impact or cracked.
- Check that all cables and the water supply are correctly connected to the machine before starting it.

Starting

Follow the instructions for starting in the manual supplied with the power pack.

CAUTION! Ensure that the correct drive mode for WSC40 is selected in the remote. Otherwise excessive wear on the chain and chainbar will occur.

IMPORTANT! Ensure that you have the latest software installed in your power pack and remote control. Discount-equipment can provide you with the latest software.

Select mechanical gear 2, if a wall saw WS 482 is used.

Select drive mode.

Drive modes are changed in the remote control provided with the wall saw equipment. Switch tool between blade and wall saw chain attachment by pressing the arrow buttons up and down.

The power pack may show more options. Make sure that you have chosen the correct mode for the tool in use.

If incorrect drive mode is chosen, excessive wear may occur on the tools.

Calibration

If the wall saw chain attachment is not cutting in a straight line into the wall, you may have to recalibrate the position sensors.

- 1 Use the arm rotation to move the saw into it's outer position. The two handles must be absolutely parallel.
- 2 Press menu, select calibrate arm position and press OK. The position is now calibrated.

For more details, see operator's manual for the Husqvarna power pack.

Stopping

- Once cutting is completed extract the WSC 40 bar from the wall and shut down the blade rotation and the water flow.
- Turn off the power pack.

Dismantling the saw

- 1 Allow the motor to stop completely.
- 2 Disengage the power supply for the power pack.
- 3 Turn off and disconnect inflowing water to the power pack.
- 4 Disengage the power cable and the water hose from the saw unit.
- 5 The other steps are done in the reverse order to assembling.

Cleaning

The saw should be cleaned once cutting is finished. It is important to clean all the saw equipment.

IMPORTANT! Do not use a high pressure washer to clean the saw.

Transport and storage

Always switch off the power pack and pull out the electric cable before moving the equipment.

Dismount the spray guards before transport and storage.

Store the equipment in a lockable area so that it is out of reach of children and unauthorized persons.

If there is a risk of freezing, the machine must be drained of any remaining water.

Use the cases provided to store the equipment.

MAINTENANCE

General



WARNING! The user must only carry out the maintenance and service work described in this Operator's Manual. More extensive work must be carried out by an authorized service workshop.

Inspection and/or maintenance should be carried out with the motor switched off and the power plug disconnected.

Wear personal protective equipment. See instructions under the "Personal protective equipment" heading.

The life span of the machine can be reduced and the risk of accidents can increase if machine maintenance is not carried out correctly and if service and/or repairs are not carried out professionally. If you need further information please contact Discount-equipment.

Let Discount-equipment regularly check the machine and make essential adjustments and repairs.

Always perform maintenance and service in a tidy environment without debris on the floor.

Maintenance schedule

In the maintenance schedule you can see which parts of your machine that require maintenance, and with which intervals it should take place. The intervals are calculated based on daily use of the machine, and may differ depending on the rate of usage.

	Daily maintenance	For each square meter of sawing
Cleaning	External cleaning	
Greasing	Spray chain and guide bar with oil.	Grease the guide bar with 2-3 strokes in the lubrication point
	Grease the guide bar. Stroke in the lubrication point until the chain bar is filled with grease.	
Functional inspection	General inspection	
	Water system	
	Cover and spray guard	
	Guide bar, diamond chain and drive sprocket	

Cleaning

External cleaning

The wall saw chain attachment should be cleaned once the cutting is finished. Use the cleaning brush that is supplied with the wall saw and connect it to the water hose. Clean all equipment in the system.



WARNING! Do not use high-pressure washers to clean the machine.

MAINTENANCE

Functional inspection

General inspection



WARNING! Never use damaged cables. They can cause serious, even fatal, personal injuries.

- Check that nuts and screws are tight.
- Check that all surfaces are clean.
- Check the cover and spray guards for damage or wear.
- Check the drive gear for wear.
- Check chain and chain bar for damages and wear.
- Check the chain tension.
- Check the chain tension function.
- Regularly check the degree of wear on the drive sprocket. Replace if wear is excessive.

Disassembly before check

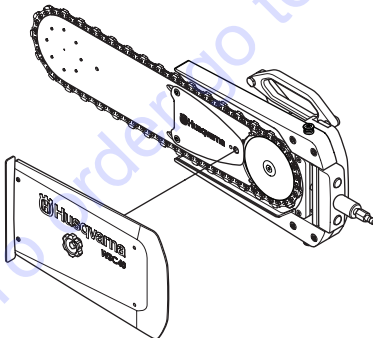


WARNING! Always disconnect the power cable to the saw unit before installation, disassembly, cleaning and maintenance.

- 1 Disconnect the water hoses from the saw unit and hang these on the designated place on the transport trolley.

Disconnect the water hoses from the saw unit and hang these on the designated place on the transport trolley or box.

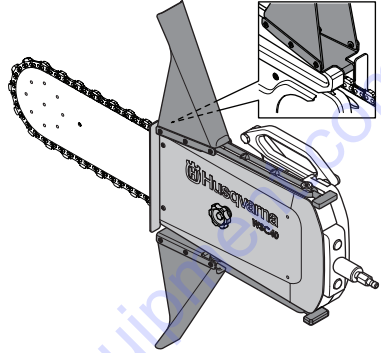
- 2 Remove the spray guards.
- 3 Unscrew the handle bolt and remove the cover.



Cover and spray guards

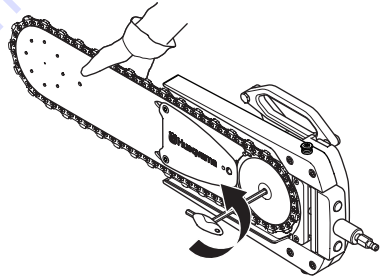
Check the cover and the spray guard.

Ensure there are no cracks or holes from slurry blasting in the transmission cover and spray guard. Replace cover or guard if damaged.

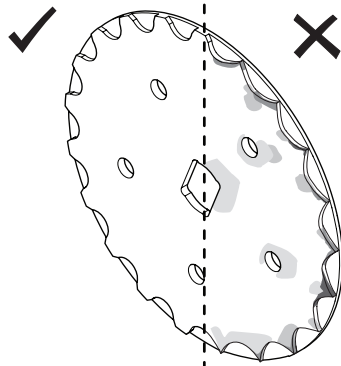


Chain drive sprocket

- 1 Hold the chain with one hand and unscrew the screw with the provided allen key. Remove the clamping washer.

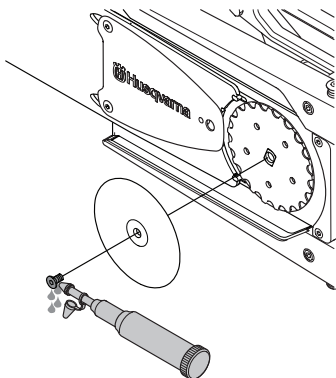


- 2 Regularly check the degree of wear on the drive sprocket. Replace if wear is excessive.

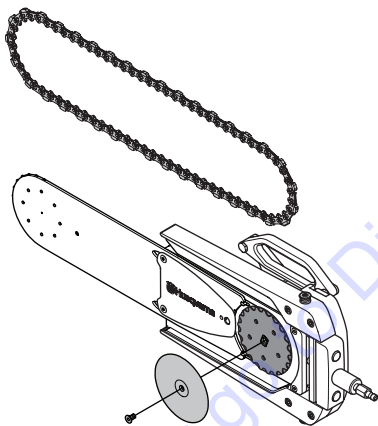


MAINTENANCE

- When the drive sprocket has been loosened the screw, threads and bolt head must be greased. If the screw is not properly greased it will loosen.

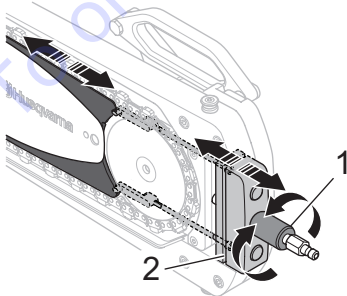


- Always tighten the screw with tightening torque 20 Nm (15 ft-lbs).



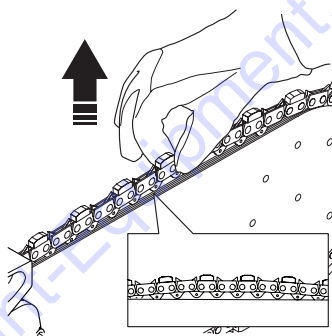
Saw chain

- Unscrew the handle (1) completely, to loosen the chain tension.



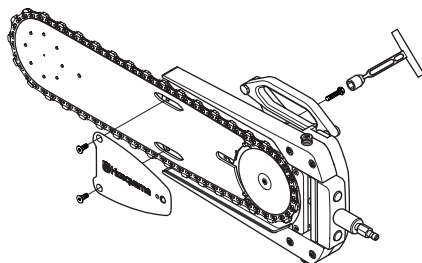
- Pull the chain to release the tension mechanism (2) and remove the chain.
- Inspect the chain for damages or wear. If needed, assemble a new chain on the chain bar.
- The chain tension is adjusted with the handle (1).

CAUTION! The correct diamond chain tension on this machine differs from other chain saws. When the chain is perfectly tensioned the chain is tight to the chain bar and in a perfect circle around the chain bar. After tensioning it should still be possible to lift up the chain so the chain guides are parallel to the chain bar and to move the chain easily.

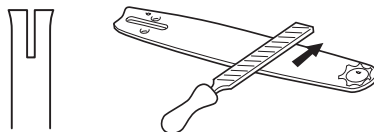


Guide bar

- Use the 13 mm t-box spanner to remove the screw that holds the guide bar.



- Use the provided allen key to remove the 2 countersunk screws. Keep the screws. If these screws need to be replaced, use only screws from the Illustrated Part List (IPL).
- Remove the guide bar and check it for wear.
- Check if there are burrs on the edges of the bar. Remove these with a file if necessary.

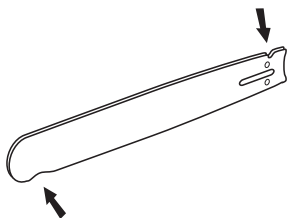


MAINTENANCE

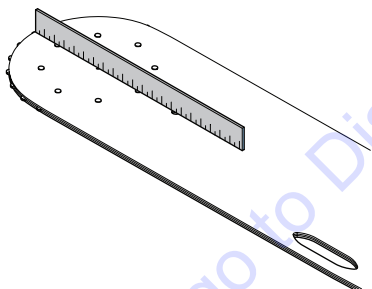
- 5 Check if the groove in the bar has become badly worn. Replace the bar if necessary.



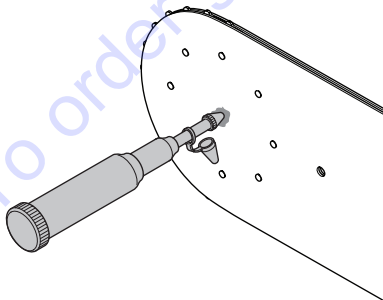
- 6 Check if the tip of the bar is uneven or badly worn. If a hollow forms on the underside of the bar tip this is due to running with a slack chain. To prolong the life of the bar, change the direction of chain rotation in the settings on the remote control. For details, see operator's manual for Husqvarna power pack.



- 7 Use a ruler to check that the bar is not bent. Put the ruler against the bar nose. The ruler must align to the bar.

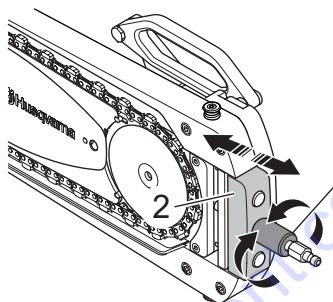


- 8 Grease the guide bar and the diamond chain daily.

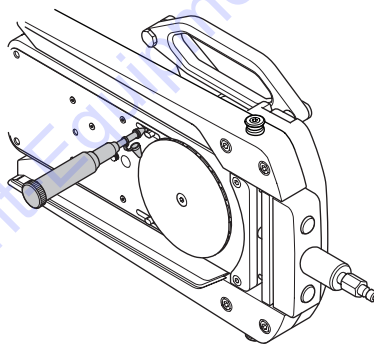


Chain tension function

- 1 Pull the grey block to check the elasticity.

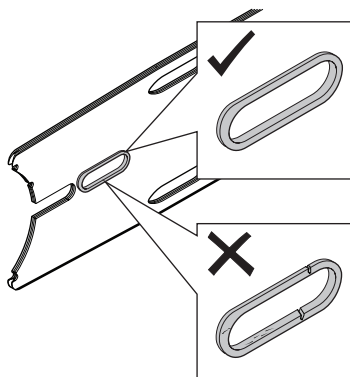


- 2 Clean the slots and grease them.



Sealing ring

- 1 Check the sealing for wear. Replace if necessary.

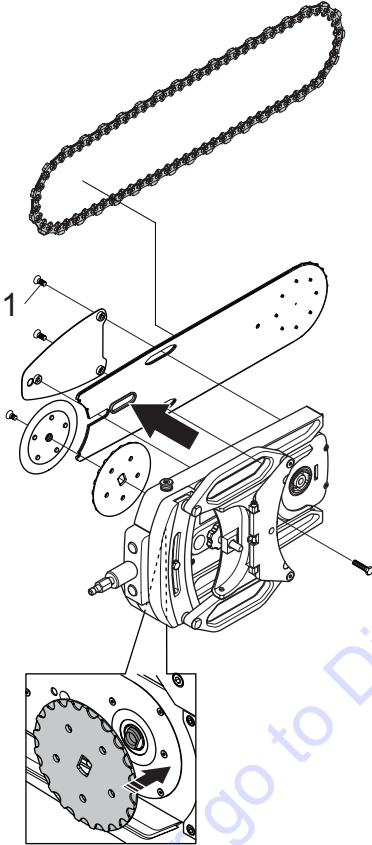


- 2 Clean all surfaces.

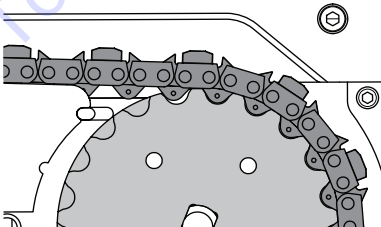
MAINTENANCE

Mounting after maintenance

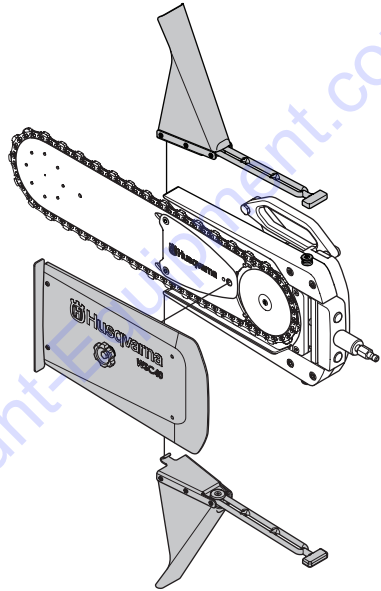
- 1 Place the drive sprocket on the output shaft.
- 2 Assemble according to the illustration.



- 3 Tighten the 2 countersunk screws (1) with tightening torque 20 Nm.
- 4 Place the chain on the chain bar and make sure that the chain follows the nose sprockets and the drive sprockets carefully.



- 5 When the drive sprocket has been loosened the screw, threads and bolt head must be greased. If the screw is not properly greased it will loosen. Always tighten the screw with tightening torque 20 Nm (15 ft-lbs).
- 6 Use the twisting knob to adjust the chain tension. Check the chain tension. Tighten the clamping washer with the bolt. Use tightening torque 20 Nm (15 ft-lbs).
- 7 Replace the cover. Tighten the knob carefully by hand.



TROUBLESHOOTING

Troubleshooting schedule



WARNING! If service operations or troubleshooting does not require the machine to be on, the engine should be switched off, and the stop switch in STOP position.

Problem	Probable cause	Potential Solution
The machine works heavily or does not go into the material.	Wear on chain or bar.	Inspect and change if needed.
	New diamonds must be released in the chain.	Change the rotation direction of the chain.
The saw works crooked.	Wear on chain or bar.	Inspect and change if needed.
	The handle bar on the saw unit is bent.	Adjust or replace the handle bar.
The cutting works heavily, also outside of the material.	Too much grease at lubrication.	Let the saw rotate outside of the material for a minute.
	Incorrect assembly.	Inspect for incorrect assembly; clamping washer, drive sprocket, chain, bar, shaft
	Rust or corrosion.	Use grease to lubricate. Change parts at heavy corrosion.
The bar vibrates at certain speeds.	Worn drive wheel.	Inspect and change if needed.
Vibration levels are too high	Diamond chain fitted incorrectly	Check that the guide bar and diamond chain is fitted correctly and does not show signs of damage. See the instructions in the sections "Diamond chains" and "Maintenance".
Abnormal wear on chain or bar.	Too little water is used at sawing.	Change the diamond chain and make sure it is intact.
	Too high power output in PP 480 or PP 490.	Make sure you have selected the "chain" saw mode on the remote control. If this mode is missing, contact Discount-equipment for a software update.
	Improper chain tension	Adjust the chain tension.
	Play in the assembly/incorrect assembly.	Move the machine back and forth to check that all parts are correctly assembled and that the wall mounting is correct.
In depth, the machine works in a bow.	The bar is damaged.	Permanent damage. Change bar.
	Cutting has been performed without pre-cutting with blade.	Permanent damage. Change bar.
	You have hit a piece of longitudinal iron.	Move the saw sideways and make a new cut.

TECHNICAL DATA

WSC 40

Power input max (kW)	9,2
Input, max (rpm)	1200
Power train	Gear drive
Drive torque input, Max (Nm)	230
Gearbox oil volume, (dl/fl oz)	1,5/5
Cooling water pressure - max, (bar/PSI)	10/145
Min. recommended water flow, (l/min / gal/min)	3,5/1
Cooling water max temp. at 3,5 l/min / 1 gal/min, (C/F)	60/140

Weight

WSC 40 incl. two guards (kg/lbs)	19/42
Total weigh with transport box, (kg/lbs)	27/60

Noise emissions (see note 1)

Sound power level, measured L_w dB(A)	105
---	-----

Sound levels (see note 2)

Sound pressure level at the operators ear, dB(A)	83
--	----

Note 1: Noise emissions to the environment measured as sound power (L_w) in conformity with EN 15027/A1. General measurement uncertainty 2,5 dB(A).

Note 2: Noise pressure level according to EN 15027/A1.

General measurement uncertainty 4 dB(A).

Recommended cutting equipment specification, chain

Guide bar and diamond chain	Number of diamond chain segments:	Diamond chain pitch, (mm/inch)	Diamond chain segment width, (mm/inch)	Max chain speed (m/s / ft/s)
24" (0,444")	37	11,582/0,444	5,7/0,22	28/92

Recommended cutting equipment specification, guide bar

Guide bar length (mm/inches)	Max straight cutting depth, (mm/inches)	Max. cutting depth, (mm/inches)	Min. cutting width, (mm/inches)	Guide bar width with chain (mm/inch)	Guide bar width (mm/inches)
614/24	300/12	400/15,7	200/8	192/8	154/6

SYMBOLFÖRKLARING

Symboler på maskinen:

WARNING! Maskinen kan felaktigt eller slarvigt använd vara ett farligt redskap, som kan orsaka allvarliga skador eller dödsfall för användaren eller andra.



Läs igenom bruksanvisningen noggrant och förstå innehållet innan du använder maskinen.



Använd alltid:

- Godkänd skyddshjälm
- Godkända hörselskydd
- Skyddsglasögon eller visir
- Andningsmask



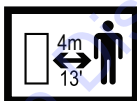
Risk för skärskador. Håll alla delar av din kropp borta från skärutrustningen.



Risk för flygande föremål. Operatören måste alltid stå i en vinkel snett bakom sågen för att undvika att träffas av flygande föremål.



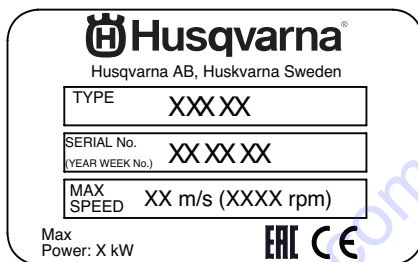
Håll säkert avstånd från maskinen. För operatören är säkerhetsavståndet till maskinens rörliga delar under arbete 4 meter (13 ft).



Denna produkt överensstämmer med gällande EG-direktiv.



Maskinens märkningsplatta



Rad 1: Varumärke

Rad 2: Tillverkarens adress

Rad 3: Modell

Rad 4: Produktnummer (år, vecka, nummer)

Rad 5: Max hastighet

Rad 6: Maxeffekt, certifieringssymboler som tillämpas på vissa marknader.

Förklaring av varningsnivåer

Varningarna är graderade i tre nivåer.

WARNING!



WARNING! Används om risk för allvarlig personskada eller dödsfall föreligger för operatör eller omgivning om man inte följer givna instruktioner.

VIKTIGT!



VIKTIGT! Används om risk för personskada föreligger för operatör eller omgivning om man inte följer givna instruktioner.

OBS!

OBS! Används om risk för material- eller maskinskada föreligger om man inte följer givna instruktioner.

Övriga på maskinen angivna symboler/dekaler avser specifika krav för certifieringar på vissa marknader.

INNEHÅLL

Innehåll

SYMBOLFÖRKLARING

Symboler på maskinen:	26
Maskinens märkningsplatta	26
Förklaring av varningsnivåer	26

INNEHÅLL

Innehåll	27
----------------	----

PRESENTATION

Bäste kund!	28
Konstruktion och egenskaper	28
WSC 40	28

VAD ÄR VAD?

Vad är vad på WSC 40?	29
-----------------------------	----

MASKINENS SÄKERHETSUTRUSTNING

Allmänt	30
---------------	----

DIAMANTKEDJOR

Allmänt	31
Kontrollera kedjan	31
Kontrollera sågen	31
Material	31
Glasning	31
Transport och förvaring	31

MONTERING OCH INSTÄLLNINGAR

Allmänt	32
Montera väggfästen och räls	32
Montera sågvagn och såg	32
Kontrollera att klingskyddsstyrningen är parallell med diamantklingan	32
Montera väggsågens kedjetillbehör	32
Montera diamantkedja	34
Sträckning av diamantkedja	34
Montera stänkskydd	34
Anslut kraftaggregatet	35
Ta bort tillbehöret	35

HANDHAVANDE

Skyddsutrustning	36
Grundläggande arbetsteknik	38
Rekommenderad kedjehastighet	40

START OCH STOPP

Före start	41
Start	41
Välj körläge	41
Kalibrering	41
Stopp	41
Demontering av såg	41
Rengöring	41

UNDERHÅLL

Allmänt	42
Underhållsschema	42
Rengöring	42
Funktionskontroll	43

FELSÖKNING

Felsökningsschema	47
-------------------------	----

TEKNISKA DATA

WSC 40	48
Rekommenderad skärutrustning, specifikation, kedja	48
Rekommenderad skärutrustning, specifikation, svärdet	48
EG-försäkrans om överensstämmelse	49

Bäste kund!

Tack för att Du har valt en Husqvarnaprodukt!

Vi hoppas att Du kommer att vara nöjd med Din maskin och att den ska få vara Din följeslagare under en lång tid framöver. Ett köp av någon av våra produkter ger dig tillgång till professionell hjälp med reparationer och service. Om inköpsstället för maskinen inte var någon av våra auktoriserade återförsäljare, fråga dem efter närmaste serviceverkstad.

Denna bruksanvisning är en värdehandling. Se till att den alltid finns tillhands på arbetsplatsen. Genom att följa dess innehåll (användning, service, underhåll etc.) kan Du väsentligt höja maskinens livslängd och även dess andrahandsvärde. Om Du säljer Din maskin, se till att överlåta bruksanvisningen till den nya ägaren.

Över 300 års innovation

Husqvarna AB är ett svenskt företag med anor som går tillbaka till 1689 då kung Karl XI lät uppföra en fabrik för tillverkning av musköter. Redan då lades grunden till den ingenjörskunskap som står bakom utvecklingen av några av världens främsta produkter inom områden som jaktvapen, cyklar, motorcyklar, hushållsmaskiner, symaskiner och utomhusprodukter.

Idag är Husqvarna världens största tillverkare av motordrivna utomhusprodukter för skog, park och trädgårdsskötsel. Husqvarna är dessutom ledande på världsmarknaden inom kaputrustning och diamanterverktyg för byggnadsindustrin.

Ägaransvar

Ägaren/arbetsgivaren ansvarar för att operatören har tillräckliga kunskaper om hur maskinen används på ett säkert sätt. Arbetsledare och operatörer ska ha läst och förstått bruksanvisningen. De ska ha kunskap om:

- Maskinens säkerhetsföreskrifter.
- Maskinens tillämpningsområden och begränsningar.
- Hur maskinen ska användas och underhållas.

Nationell lagstiftning kan reglera maskinens användning. Ta reda på vad som gäller på din arbetsort innan maskinen tas i bruk.

Tillverkarens förbehåll

Efter att ha publicerat denna manual får Husqvarna utfärda ytterligare information för säker användning av denna produkt. Det är ägarens skyldighet att hålla sig uppdaterad med de säkraste metoderna för drift.

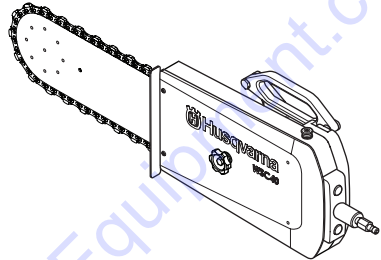
Husqvarna AB arbetar ständigt med att vidareutveckla sina produkter och förbehåller sig därför rätten till ändringar beträffande bl.a. form och utseende utan föregående meddelande.

Konstruktion och egenskaper

Värden som hög prestanda, pålitlighet, innovativ teknologi, avancerade tekniska lösningar och miljöhänsyn utmärker Husqvarnas produkter. Säker drift av denna produkt kräver att operatören läser denna manual noggrant. Fråga din återförsäljare för Husqvarna om du behöver mer information.

Nedan följer några av de unika egenskaper som din produkt är utrustad med.

WSC 40

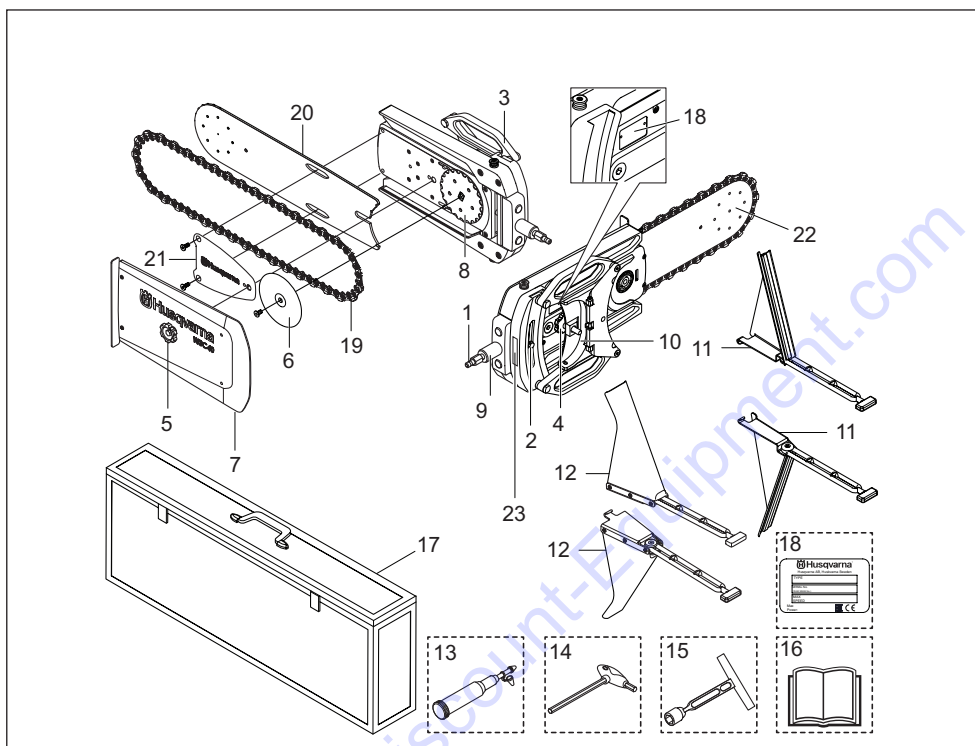


Detta väggsågstillbehör är en del av ett väggsågssystem och fungerar med väggsåg WS 440 och WS 482.

Väggsågstillbehöret är avsett för kapning av hårda material som förstärkt betong, murverk och sten och ska inte användas till annat än de användningsområden som beskrivs i den här bruksanvisningen. Den här maskinen måste användas med Husqvarna WS 440/WS 482 och ett högfrekvensaggregat från Husqvarna.

- Denna väggsågsadapter används för att undvika översågning då man sågar öppningar.
- Maskinen möjliggör sågning av mindre öppningar för ventilation, rör etc.
- Kedjehastigheten styrs elektroniskt och justeras från fjärrkontrollen till strömförsörjningsenheten.
- Samma avstånd till sågskivans snitt med kedjan som en WS440 eller WS482 utrustad med klinga.
- Kedjans rotationsriktning kan styras med fjärrkontrollen vilket gör att man kan välja vattensprutets riktning.
- Utformningen är lätt, kompakt och ergonomisk, vilket gör maskinen lätt att transportera.
- Det särskilda programmet för WSC 40 är installerat i aggregatet och gör automatiska justeringar av matningsmotorns rörelser för att ge ett rakt snitt i på djupet. Se till att du har den senaste programvaran installerad i aggregatet.

VAD ÄR VAD?



Vad är vad på WSC 40?

- | | |
|------------------------------------|------------------------------|
| 1 Slanganslutning, vatten in | 13 Fettspruta |
| 2 Vinkeljusteringsskruv | 14 Insexnyckel (5 mm) |
| 3 Parallellt handtag | 15 T-hylsnyckel (13 mm) |
| 4 Låsvred för låsenhet | 16 Bruksanvisning |
| 5 Låsvred | 17 Förvaringslåda |
| 6 Klämbricka | 18 Maskinens märkningsplatta |
| 7 Transmissionskäpa | 19 Diamantkedja |
| 8 Kedjedrivhjul | 20 Sågsvärd |
| 9 Justeringsvred för kedjespänning | 21 Klämplatta |
| 10 Klämma för vägsågshandtag | 22 Noshjul |
| 11 Skydd för slätsågning | 23 Varningsdekal |
| 12 Stänkskydd | |

MASKINENS SÄKERHETSUTRUSTNING

Allmänt

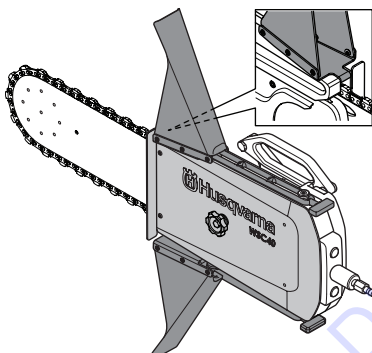
I detta avsnitt förklaras vilka maskinens säkerhetsdetaljer är, vilken funktion de har samt hur kontroll och underhåll skall utföras för att säkerställa att de är i funktion. Se kapitel Vad är vad?, för att hitta var dessa detaljer är placerade på din maskin.



VARNING! Använd aldrig en maskin med defekt säkerhetsutrustning! Säkerhetsutrustningen ska kontrolleras och underhållas. Om säkerhetsutrustning eller maskindelar är skadade på något sätt tar du maskinen till en serviceverkstad för reparation.

Kåpa och stänkskydd

Kåpan och stänkskyddet skall alltid användas vid sågning.



Kåpan och stänkskyddet skyddar användaren mot rörliga delar, flygande skräp, vatten och betongslam. Stänkskyddet har också utformats så att diamantkedjan fångas upp om den bryts eller hoppar av.

Vi rekommenderar att båda stänkskydden är monterade, men i vissa lägen (sågning i linje med golv eller tak) kan ett stänkskydd tillfälligt tas bort. Åtminstone det stänkskydd som riktar mot stänket, måste vara monterat. Sätt tillbaka det borttagna stänkskyddet efter sågningen.

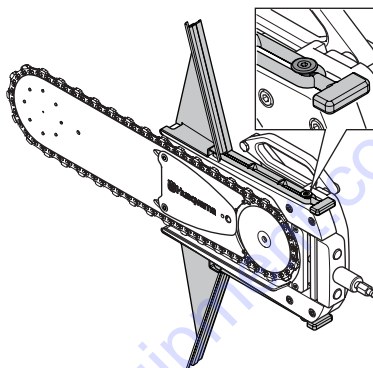
Kontrollera kåpan och stänkskyddet.

Se till att det inte finns några sprickor eller hål från slamblästring i kåpan eller skydden.

Byt ut kåpan eller skydden om de är skadade.

Skydd för slätsågning

Denna maskin kan användas vid slätsågning. Vid slätsågning används särskilt designade stänkskydd. Dessa stänkskydd får bara användas vid slätsågning.



Kontrollera att skydden inte är skadade eller slitna. Se till att det inte finns några skador på skydden. Byt skydd om de är skadade.

Kraftaggregat

Kontrollera säkerhetsutrustningen på tillhörande aggregat. Läs bruksanvisningen för aggregatet.

Se även säkerhetsföreskrifter och operatörsinstruktioner i manualerna för den väggsåg och det kraftaggregat som ska användas.

DIAMANTKEDJOR

Allmänt



WARNING! Kedjebrott kan orsaka allvarlig skada om kedjan slungas mot operatören. En felaktig skärutrustning eller en felaktig svärd/sågkedjekombination ökar risken för kast! Använd endast de svärd/sågkedjekombinationer vi rekommenderar.

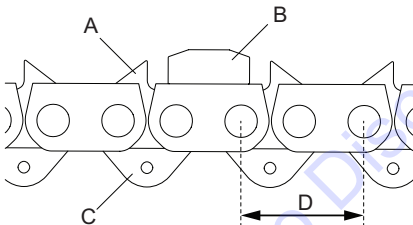


WARNING! Koppla alltid bort strömkabeln till sågenheten före installation, rengöring och underhåll. Ovarsamhet kan resultera i allvarlig personskada eller till och med dödsfall.



WARNING! Vid all hantering av kedjan skall handskar användas.

- A) Drivlänk med ryttare
- B) Skärlänk med diamantsegment
- C) Kedjestyrning



Diamantkedjedelning (pitch): $\text{Pitch} = D/2$

Enheten får endast användas med en kedja med dubbla ryttare, eftersom maskinen kan köras med dubbla rotationsriktningar.

Kedjor med dubbla ryttare kan monteras åt båda håll.

Kontrollera kedjan

- Kontrollera att kedjan inte uppvisar tecken på skador i form av glappa länkförband, brutna ryttare eller drivlänkar eller brutna segment. Byt ut diamantkedjan om den är skadad.
- Om kedjan utsatts för kraftig fastklämning eller annan onormal överbelastning bör kedjan demonteras från svärdet för noggrann inspektion.

Kontrollera sågen

Sågen är utrustad med ett antal säkerhetsdetaljer som skyddar operatören vid kedjebrott. Dessa säkerhetsdetaljer måste kontrolleras innan arbetet startar. Kör aldrig sågen med följande skadade eller saknade delar:

- Transmissionskåpa
- Skadad kedja
- Skadat eller saknat stänkskydd

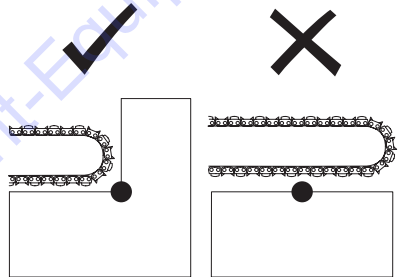
Material



WARNING! Diamantkedjesågen får aldrig användas för att kapa andra material än de som den är avsedd för. Den får aldrig utrustas med en kedja avsedd för timmer/virke.

Denna maskin är konstruerad för och avsedd för sågning i betong, tegel, asfalt och olika stenmaterial. All annan användning är felaktig.

Sågen får aldrig användas till kapning av rena metaller. Detta leder sannolikt till brutna segment eller till kedjebrott. Diamantsegmenten tål kapning i armerad betong. Sträva efter att kapa armeringen tillsammans med så mycket betong som möjligt, det sparar kedjan.



Glansing

Vid kapning av mycket hård betong eller sten kan diamantsegmenten efterhand minska eller förlora sin kapförmåga. Detta kan också inträffa om man tvingas att kapa med lågt partitaltryck (diamantkedjan ligger an mot arbetsstycket utefter hela svärdslängden). Lösningen på problemet är att byta rotationsriktning på kedjan.

Transport och förvaring

- Efter avslutat arbete ska diamantkedjesågen köras med vattentryck under minst 15 sek för att rengöra svärd, kedja och drivanordning från partiklar. Spola av maskinen med vatten. Om maskinen inte ska användas under en tid rekommenderar vi att olja kedja och svärd för att undvika korrosion.
- Syna all skärutrustning efter transport- och lagerskador.

MONTERING OCH INSTÄLLNINGAR

Allmänt



VARNING! Koppla alltid loss kraftkabeln till sågenheten före montering, rengöring och underhåll. Oaktsamhet kan leda till allvarliga skador eller till och med dödsfall.

Montera väggfästen och räls

Systemet monteras enligt operatörsmanualen för aktuell väggsåg.

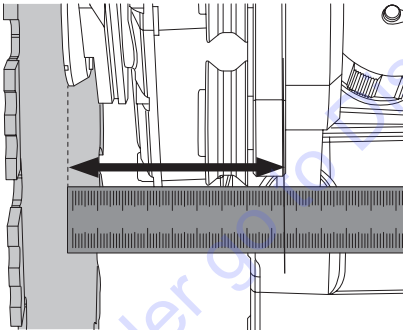
Montera sågvagn och såg

Systemet monteras enligt operatörsmanualen för aktuell väggsåg.

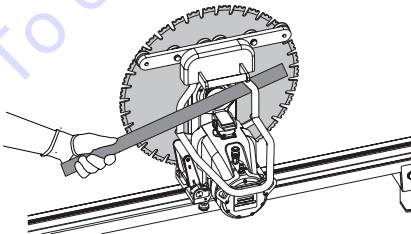
Kontrollera att klingskyddsstyrningen är parallell med diamantklingan

För justering av WSC 40 med snittet måste du se till att ingen deformation har inträffat på väggsågens handtag.

- 1 Montera klingskyddsstyrningen på guiden och mät avståndet mellan varje sluthjul och klingan. Avståndet mellan hjulguidens utsida och klingan skall vara ungefär 102 +/-2 mm.



- 2 Om skillnaden är större än 2 mm, tar du bort guiden och justerar ramen med en järnstång för att få guiden parallellt med diamantklingan.



Montera väggsågens kedjetillbehör

VIKTIGT! Förvara alltid maskinen i den medföljande lådan då den inte används.



VARNING! Skydda händerna med handskar.



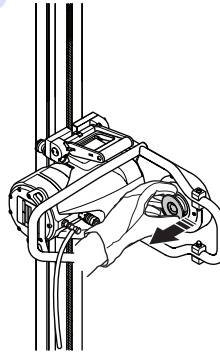
VARNING! Endast en person ska utföra monteringen av maskinen för att kunna förebygga oförutsedda händelser.



VARNING! Klämrisk! Håll maskinen stadigt.

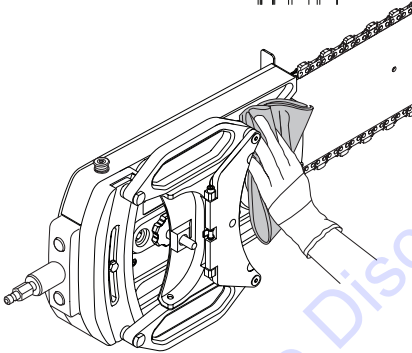
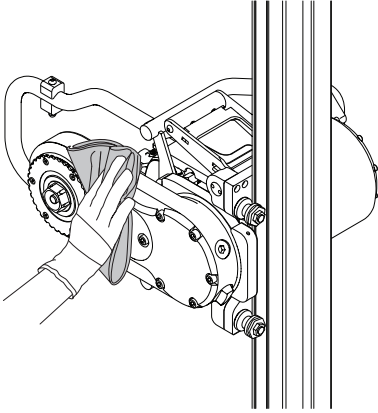
VIKTIGT! Se till att golvytan är ren under monteringen. Se till att inga föremål är i vägen.

- 1 Ta bort diamantklingan och klingflänsen enligt bruksanvisningen för den aktuella väggsågen.
- 2 Se till att spindelnavet är i ytterläge. Det går inte att montera WSC 40 om sexkantaxeln är i det inre läget.

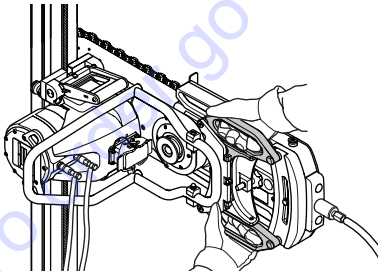


MONTERING OCH INSTÄLLNINGAR

- 3 Se till att alla ytor på maskinen och på såghuvudet är rena.

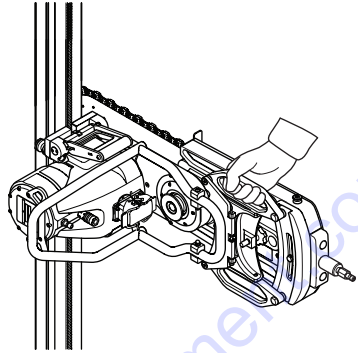


- 4 Använd båda händerna för att lyfta upp maskinen i parallellhandtaget från förvaringslådan.

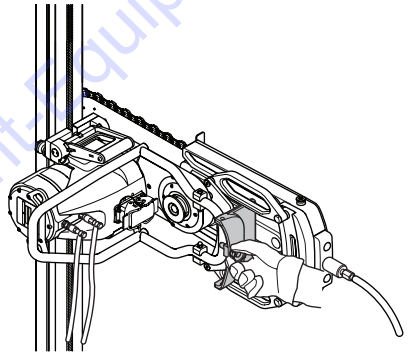


- 5 Skjut in WSC 40 på väggsågsarmen. Tryck på sexkantaxeln samtidigt som du försiktigt drar enheten runt centrum så att axeln justeras. Axeln bör nu vara i det mellanliggande låsta läget. Kontrollera genom att

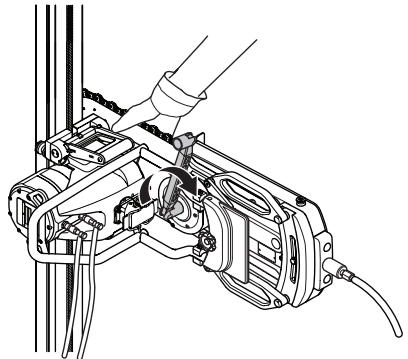
dra i väggstågstillbehöret. Se till att maskinen är låst på sågarmen.



- 6 Fäll in klämman som låser tillbehöret på handtaget. Dra åt låsvredet.

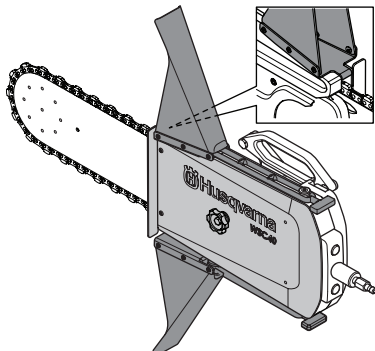


- 7 Dra åt maskinen på såghuvudet med bulten i spindelnavet. Håll emot med en hand på kedjan för att skapa motstånd. Använd alltid handskar. Använd den 18 mm nyckel som finns i verktygslådan. Använd åtdragningsmoment 70–80 Nm (52–59 ft-lb).

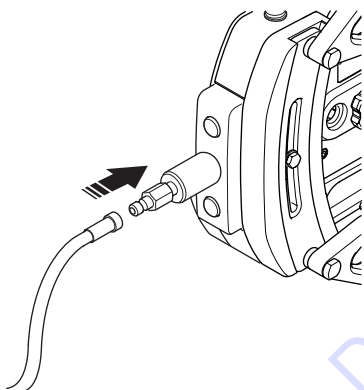


MONTERING OCH INSTÄLLNINGAR

8 Montera stänkskydden.



9 Anslut vattenslangen.



VARNING! Kontrollera att enheten är korrekt innan du ansluter strömkabeln.

Montera diamantkedja



VARNING! Du ska aldrig montera eller demontera verktyg eller skydd utan att först dra ut strömkabeln från sågenheten. Ovarsamhet kan resultera i allvarlig personskada eller till och med dödsfall.



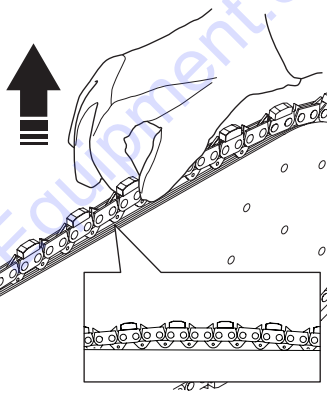
VARNING! Var försiktig när väggsågsadaptorn monteras så att den inte lossnar då man sågar med den. Oaktamhet kan leda till allvarliga skador eller till och med dödsfall.

Sträckning av diamantkedja

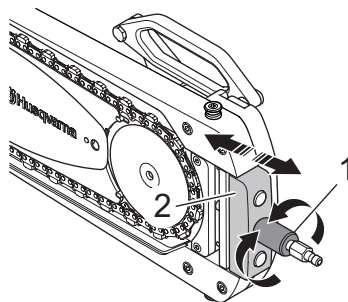


VARNING! En otillräckligt sträckt diamantkedja kan resultera i diamantkedjev hopp vilket kan orsaka allvarlig, till och med livshotande skada.

Rätt diamantkedjespänning på den här maskinen skiljer sig från övriga kedjesågar. När kedjan är perfekt spänd ligger den hårt mot och i en perfekt cirkel runt svärdskenan. Efter spänningen skall du fortfarande kunna lyfta upp kedjan så att kedjeguiderna är parallella med svärdskenan och kedjan lätt kan dras runt.



Lossa skruven till klämbrickan från baksidan med hjälp av en 13mm T-nyckel. Använd ställskruven för att spänna kedjan.



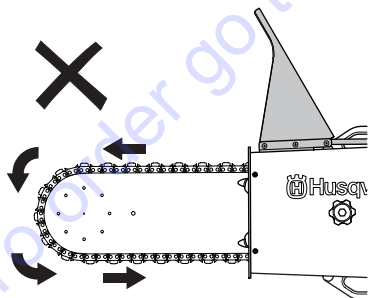
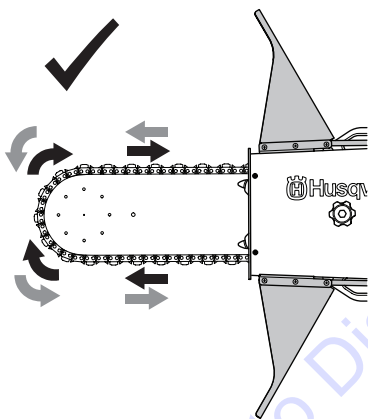
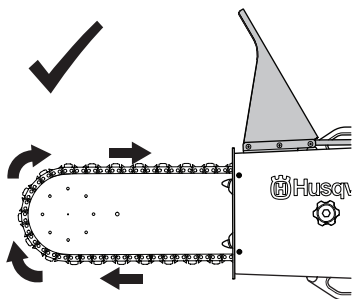
Montera stänkskydd

Stänkskyddet för skärutrustningen ska monteras på maskinens sidor med gummistropparna. Sprut och gnistor från det kapade materialet samlas då upp av skyddet och avleds från användaren.

Eftersom diamantkedjans rotationsriktning kan väljas kan också vattensprutets riktning från klingan väljas oavsett hur sågen är vänd på rälsen.

MONTERING OCH INSTÄLLNINGAR

Både när sågen används för slätsågning eller normal sågning ska stänkskydden monteras i kedjans rotationsriktning.



Anslut kraftaggregatet



VARNING! Denna produkt är endast avsedd att användas tillsammans med aggregatet för Husqvarna PP 400-serien. All annan användning är otillåten.

Läs igenom bruksanvisningen som följer med kraftaggregatet innan du börjar använda maskinen.

Maximal kraft till enheten är 9,2 kW och därför visas 16 A-läget när du använder WSC 40 med PP 480 och PP 490. Detta ställs in automatiskt när kedjeläget väljs med fjärrkontrollen. Kontrollera att aggregatet har uppdaterats med den senaste programvaran.

Ta bort tillbehöret



VARNING! Koppla alltid loss kraftkabeln till sågenheten före montering, nedmontering, rengöring och underhåll. Oaktsamhet kan leda till allvariga skador eller till och med dödsfall.

- 1 Koppla bort inkommande elkabel och inkommande vattenslang.
- 2 Ta bort stänkskydden.
- 3 Lägg handen på kedjan för att hindra den från att röra sig och lossa bulten i spindelnavet med en 18 mm nyckel. Skruva loss bulten och se till att spindelnavet är i mellanläge.
- 4 Ta ett fast grepp om vattenanslutningen på WSC 40. Lossa låsvredet på låsklamman. Vik låsklamman över för att säkra parallellhandtagen.
- 5 Ta ett fast grepp på parallellhandtaget med den lediga handen. Dra ut spindelnavet på sågarmen till det yttre läget. Ta bort maskinen.
- 6 Förvara alltid maskinen i den medföljande lådan då den inte används.

Skyddsutrustning

Allmänt

Använd aldrig maskinen utan möjlighet att kunna påkalla hjälp i händelse av olycka.

Personlig skyddsutrustning

Vid all användning av maskinen skall godkänd personlig skyddsutrustning användas. Personlig skyddsutrustning eliminerar inte skaderisken, men den reducerar effekten av en skada vid ett olyckstillbud. Be din återförsäljare om hjälp vid val av utrustning.



WARNING! Användning av produkter som skär, slipar, borrar, finslipar eller formar material kan generera damm och ångor som kan innehålla skadliga kemikalier. Ta reda på hur det material som du arbetar med är beskaffat och bär lämplig andningsmask.

Långvarig exponering för buller kan ge bestående hörselskador. Använd därför alltid godkända hörselskydd. Var alltid uppmärksam på varningssignaler eller tillrop när hörselskydd används. Tag alltid av hörselskydden så snart motorn stoppats.

Det finns alltid en klämrisk vid arbete med produkter med rörliga delar. Använd skyddshandskar för att undvika kroppsskador.

Använd alltid:

- Godkänd skyddshjälm
- Hörselskydd
- Godkända ögonskydd. Används visir måste även godkända skyddsglasögon användas. Med godkända skyddsglasögon menas de som uppfyller standard ANSI Z87.1 för USA eller EN 166 för EU-länder. Visir ska uppfylla standard EN 1731.
- Andningsmask
- Kraftiga greppsäkra handskar.
- Åtsittande, kraftigt och bekväm klädsel som tillåter full rörelsefrihet. Använd inte shorts
- Stövlar med stålhätta och halkfri sula.
- Var uppmärksam på att kläder, långt hår och smycken kan fastna i rörliga delar.

Övrig skyddsutrustning



WARNING! Gnistor kan uppkomma vid arbete med maskinen och orsaka brand. Ha alltid utrustning för brandsläckning tillgänglig.

- Brandsläckare
- Första hjälpen förband

Allmänna säkerhetsinstruktioner



WARNING! Läs alla säkerhetsinstruktioner och varningar. Om du inte följer varningarna och instruktionerna kan det leda till elektriska stötar, brand och/eller allvarliga skador.

Detta avsnitt behandlar grundläggande säkerhetsregler för arbete med maskinen. Given information kan aldrig ersätta den kunskap en yrkesman besitter i form av utbildning och praktisk erfarenhet. När du råkar ut för en situation som gör dig osäker angående fortsatt användning skall du rådfråga en expert. Vänd dig till din återförsäljare, din serviceverkstad eller en erfaren användare. Undvik all användning du anser dig otillräckligt kvalificerad för!

- Läs igenom bruksanvisningen noggrant och förstå innehållet innan du använder maskinen.
- Läs igenom bruksanvisningen som följer med kraftaggregatet innan du börjar använda maskinen.
- Denna maskin får endast användas tillsammans med Husqvarna WS 440/WS 482. All annan användning är förbjuden.
- Maskinen kan vålla allvarlig personskada. Läs säkerhetsinstruktionerna noga. Lär dig hur du ska använda maskinen.
- Tänk på att användaren är ansvarig för olyckor eller faror för andra människor eller deras egendom.
- Alla operatörer ska utbildas i att använda maskinen. Ägaren ansvarar för att operatörerna får utbildning.
- Maskinen ska hållas ren. Skyltar och dekaler ska vara fullt läsbara.
- Spara alla varningar och instruktioner som referens.



WARNING! Maskinen kan felaktigt eller slarvigt använd vara ett farligt redskap, som kan orsaka allvarliga skador eller dödsfall för användaren eller andra.

Låt aldrig barn eller andra personer som inte utbildats i handhavande av maskinen, använda eller underhålla den.

Låt aldrig någon annan använda maskinen utan att försäkra dig om att de har läst och förstått innehållet i bruksanvisningen.

HANDHAVANDE



WARNING! Icke auktoriserade ändringar och/eller tillbehör kan medföra allvarliga skador eller dödsfall för användaren eller andra.

Modificera aldrig denna maskin så att den ej längre överensstämmer med originalutförandet, och använd den inte om den verkar ha blivit modifierad av andra.

Använd aldrig en maskin, batteri eller batteriladdare som är felaktig. Följ underhålls-, kontroll- och serviceinstruktioner i denna bruksanvisning. Vissa underhålls- och serviceåtgärder skall utföras av tränade och kvalificerade specialister. Se anvisningar under rubrik Underhåll.

Använd endast originaldelar.

Använd alltid sunt förnuft

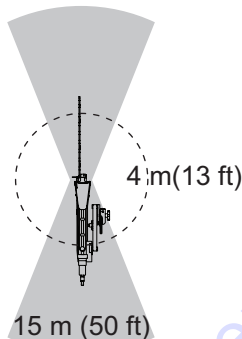
Det är omöjligt att täcka alla tänkbara situationer du kan ställas inför. Var alltid försiktig och använd sunt förnuft.

När du råkar ut för en situation som gör dig osäker angående fortsatt användning skall du rådfråga en expert. Vänd dig till din återförsäljare, din serviceverkstad eller en erfaren användare. Undvik all användning du anser dig otillräckligt kvalificerad för!

Säkerhet i arbetsområdet

- Kontrollera alltid baksidan av väggen där svärdet och diamantkedjan kommer ut vid genomsågning. Säkra, spärra av och se till att inte människor och material kommer till skada.
- Kontrollera alltid och märk ut var gasledning är dragna. Att säga nära gasledning utgör alltid en fara. Se till att det inte uppstår gnistor vid sågningen eftersom viss explosionsrisk finns. Var koncentrerad och fokuserad på uppgiften. Ovarsamhet kan leda till allvarlig personskada eller dödsfall.
- Kontrollera att inga rörledningar eller elektriska kablar är dragna i arbetsområdet eller i materialet som ska kapas.
- Kontrollera att det inte finns några strömförande elkablar inom arbetsområdet.
- Se till att inga obehöriga finns inom arbetsområdet, annars finns risk för allvarliga personskador. Säkerhetsavståndet är 15 meter (50 ft).
- Undvik användning vid ogynnsamma väderleksförhållanden. Exempelvis tät dimma, kraftigt regn, hård vind, stark kyla, osv.
- Att arbeta i dåligt väder är tröttsamt och kan skapa farliga omständigheter, exempelvis halt underlag.
- Försäkra dig om att arbetsområdet är tillräckligt upplyst för att skapa en säker arbetsmiljö.
- Se alltid till att du har en säker och stadig arbetsposition.

Maskinens riskområde



WARNING! Se till att inga obehöriga finns inom arbetsområdet, annars finns risk för allvarliga personskador. Säkerhetsavståndet är 15 meter (50 ft).



WARNING! För operatören är säkerhetsavståndet till maskinens rörliga delar under arbete 4 meter (13 ft). Operatören måste alltid stå i en vinkel snett bakom sågen för att undvika att träffas av flygande föremål. Var extra försiktig vid start när sågen tränger in i materialet.



VIKTIGT! Personer som inte bär den skyddsutrustning som beskrivs ovan får inte vistas inom riskområdet för utslagnade material.

Elsäkerhet

Läs avsnittet om elsäkerhet i handböckerna för aktuell väggsåg och aggregat.



WARNING! Högtryckstvätta inte maskinen med vatten, eftersom vatten kan tränga in i elsystemet eller motorn, vilket kan orsaka maskinskador eller kortslutning.

Personssäkerhet

- Lämna aldrig maskinen utan uppsikt med motorn igång.
- Säg aldrig på ett sådant sätt att Du inte på ett enkelt sätt kan komma åt nödstoppet på fjärrkontrollen eller på kraftaggregatet. Se kraftaggregatets bruksanvisning.
- Se till att det alltid finns någon mer person till hands när Du använder maskinerna så att Du kan kalla på hjälp om en olycka skulle inträffa.

HANDHAVANDE

- Människor som måste uppehålla sig i närheten skall bära nödvändig skyddsutrustning inklusive hörselskydd eftersom ljudnivån vid sågning överstiger 85 dB(A).
- Var försiktig vid lyft. Du handskas med tunga delar vilket innebär klämrisk och risk för annan skada.
- Människor och djur kan distrahera dig så att du tappat kontrollen över maskinen. Var därför alltid koncentrerad och fokuserad på uppgiften.
- Var uppmärksam på att kläder, långt hår och smycken kan fastna i rörliga delar.
- **Avlägsna eventuell justeringsnyckel eller skiftnyckel innan du sätter på elverktyget.** Nycklar som lämnas kvar i elverktygets rörliga delar kan orsaka personskada.
- Lämna aldrig maskinen utan uppsikt med motorn igång.
- Risk för krosskador. Om maskinen är felaktigt monterad kan den falla och skada operatören.
- Var försiktig vid lyft. Du handskas med tunga delar vilket innebär klämrisk och risk för annan skada.

Användning och underhåll

- Du ska aldrig montera eller demontera verktyg eller skydd utan att först ta ur kraftkabeln som går till sågheten.
- Koppla aldrig loss kraftkabeln utan att du först stängt av kraftaggregatet och motorn stannat helt.
- Såga aldrig utan att använda rätt skydd.
- Kontrollera att kedjan inte är i kontakt med någonting när maskinen startas.
- För operatören är säkerhetsavståndet till maskinens rörliga delar under arbete 4 meter (13 ft). Operatören måste alltid stå i en vinkel snett bakom sågen för att undvika att träffas av flygande föremål.
- Vattenkyllning ska alltid användas. Detta kylar kedjan och svärdskenan och ökar deras livslängd samt minskar dammbildning.
- Kontrollera att alla kopplingar, anslutningar samt kablar är hela och rena från smuts.
- Före sågning skall alla de snitt som skall göras markeras tydligt och planeras så att de kan utföras utan fara för person eller maskin.
- Säkra eller förankra betongblock ordentligt innan sågning. Stora vikter i materialet som sågas loss kan vålla stora skador på både maskin och på person om den inte kan förflyttas under kontrollerade former.

Transport och förvaring

- Dra alltid ur strömkabeln innan du flyttar utrustningen.
- Demontera klinga och klingskydd innan transport och förvaring.
- Förvara utrustningen i ett låsbart utrymme så att den är oåtkomlig för barn och obehöriga.

- Om frysrisk föreligger ska maskinen dräneras från kvarliggande kylvatten.
- Använd de medföljande boxarna för förvaring av utrustningen.

Grundläggande arbetsteknik



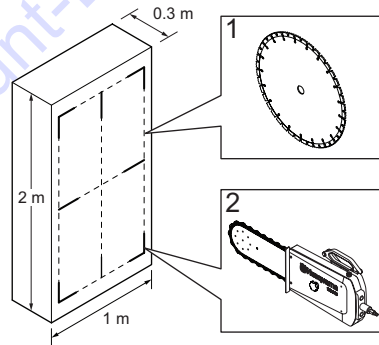
WARNING! Arbetstekniken för WSC 40 gäller bara för den här produkten. Använd aldrig denna teknik för annan utrustning.



WARNING! Använd alltid en klinga med segment som är bredare än kedjans segment. Detta är extremt viktigt om en handhållen maskin ska användas för att avsluta sågningen. Om en maskin med rälshållare används, som WSC 40, kan detta lämnas utan avseende.

Starta kapningen med väggsågen med klingan (1) enligt bilden. Använd sedan väggsågstillbehöret (2) enligt bilden.

Kapningen görs enligt bilden:



Mata in klingan 3–7 cm (1,2–2,8 tum). Gör styrsåret för att få ett rakt snitt och därmed basen för nästa snitt. Snittet ska göras med försiktighet. Kaparmen medger att klingor upp till 1 000 mm (40 tum) kan användas som startklinga. Du bör dock starta sågningen med en 800 mm (31,5 tum) klinga.

- När styrsnittet är klart kan djupare snitt sågas. Djupet på dessa avgörs från fall till fall och beror på faktorer som hårdheten på betongen, förekomsten av armeringsjärn etc.
- Om du byter klinga för att såga djupare i samma snitt, se till att den nya klingans tjocklek stämmer överens med spårets bredd.
- Låt maskinen arbeta utan att tvinga eller pressa in klingan.

När snitten med klingan är klara, ersätter du klingan med väggsågstillbehöret och skär återstående material för att få skarpa hörn.

HANDHAVANDE

Om du arbetar i kraftigt armerad betong eller betong med hård sammansättning bör du starta snitt A minus 50 mm (2 tum) från hörnet. Kontrollera tabellen under överkapning för A-mått.

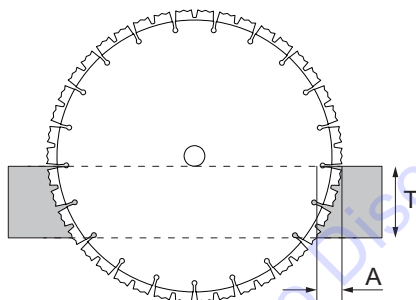
OBSERVERA! Ändra inställningen på fjärrkontrollen till kedjeläge när du använder väggsågstillbehöret.

Mata väggsågstillbehöret inåt i väggen och skär med noshjulet. Programvaran justerar automatiskt den långsgående matningen för att göra skåret med noshjulet. Se till att det finns tillräckligt utrymme för sågvagnen till ändläget i spåret när kapningen påbörjas (välj rätt riktning för armrotation).

OBSERVERA! Se till att kedjeläge har valts i fjärrkontrollen. Om inte drabbas verktyget av onormalt slitage.

Överkapning

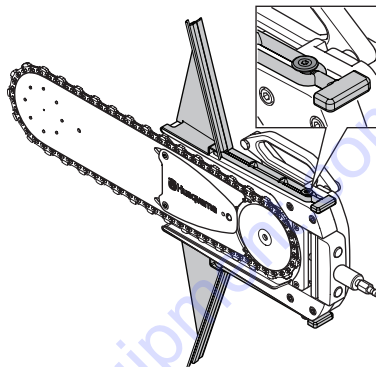
Överkapningslängden beror på hur tjock väggen är och vilken klinga som används.



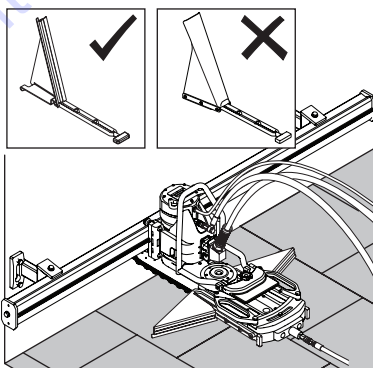
Klingdiameter	800 mm/32"	1000 mm/40"
T (mm/inch)	A (överkapning mm/tum)	
200/8	100/4	80/3
250/10	160/6	120/5
300/12	250/10	160/6
350/14	-	230/9
400/16	-	335/13

Slätsågning

Ta bort stänkskydden för normal skärning och transmissionskåpan. Ersätt stänkskydden med medföljande skydd för slätsågning.



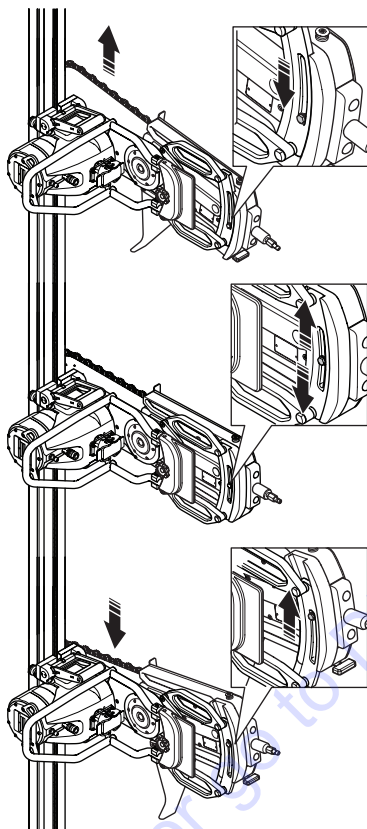
Vi rekommenderar att båda slätsågningsskydden är monterade men vid vissa tillfällen (sågning mitt i golvet eller taket) kan ett skydd tillfälligt tas bort. Åtminstone skyddet i kedjeriktningen måste vara monterat. Byt skydd efter kapningen.



Vinkeljustering

Inställning av vinkeln används för att få en perfekt skärning i vinklar nära tak, vägg och golv. Justera vinkeln till maximiläget. Riktningen beror på snittet.

Lossa skruven och justera vinkeln.



VARNING! Dra alltid åt skruven med åtdragningsmoment 20 Nm (15 ft-lb).

Rekommenderad kedjehastighet

För bästa resultat bör du använda full skärhastighet 28 m/s (92 ft/s) i mjuk och medelhård betong.

Om WS 482 används bör du se till att mekanisk växel 2 kopplas in för att få korrekt visning av kedjans hastighet.

OBSERVERA! Kapning vid för lågt varvtal kan orsaka skador på kedja och svärdskena. Kontrollera att rätt mekanisk växel är vald! En lägre kedjehastighet bör användas vid sågning i hård betong än jämfört med sågning i mjuk betong.

START OCH STOPP

Före start

- Inhägna området som skall sågas så att obehöriga inte kan komma till skada eller störa operatören.
- Kontrollera att klinga och klingskydd är oskadade och fria från sprickor. Byt klingskydd/klinga om det utsatts för slag eller har sprickor.
- Kontrollera att kedja, svärdskena och kedjeskydd inte är skadade eller spruckna. Byt ut om de utsatts för slag eller har sprickor.
- Kontrollera att alla kablar och vattenanslutningen är korrekt anslutna till maskinen innan du startar den.

Start

Följ anvisningarna för start i bruksanvisningen som följer med kraftaggregatet.

OBSERVERA! Kontrollera att rätt körläge för WSC40 är valt på fjärrkontrollen. Annars sker överdrivet slitage på kedja och svärdskena.

VIKTIGT! Kontrollera att du har den senaste programvaran installerad i aggregatet och fjärrkontrollen. Husqvarna servicecenter kan förse dig med den senaste programvaran.

Välj mekanisk växel 2 om WS 482 används.

Välj körläge.

Körlägen ändras på fjärrkontrollen som medföljer väggsågsutrustningen. Byt mellan klinga och väggsågstillbehör genom att trycka på pilknapparna.

Aggregatet kan visa fler alternativ. Kontrollera att du har valt rätt läge för det verktyg som används.

Om felaktigt läge väljs kan verktygen utsättas för onormalt slitage.

Kalibrering

Om väggsågstillbehöret inte skär i en rak linje i väggen, kan du behöva kalibrera om lägesgivarna.

- 1 Använd armrotation för att flytta sågen till det yttre läget. De två handtagen måste vara absolut parallella.
- 2 Tryck på Meny, välj Kalibrera armposition och tryck på OK. Positionen är nu kalibrerad.

Mer information finns i bruksanvisningen för aggregatet från Husqvarna.

Stopp

- Efter avslutad sågning matar du ut WSC 40-svärdet från väggen och stänger av klingrotationen och vattenflödet.
- Stäng av kraftaggregatet.

Demontering av såg

- 1 Låt motorn stanna helt.
- 2 Koppla ur strömförsörjningen till kraftaggregatet.
- 3 Stäng av och koppla loss inkommande vatten till kraftaggregatet.
- 4 Koppla ur strömkabeln samt vattenslangen från sågenheten.
- 5 Övriga moment genomföres omvänt monteringen.

Rengöring

Efter avslutad sågning skall sågen göras ren. Det är viktigt att hela sågutrustningen rengörs.

VIKTIGT! Använd inte högtryckstvätt för rengöring av sågen.

Transport och förvaring

Stäng alltid av kraftaggregatet och koppla ur strömkabeln innan förflyttning av utrustningen sker.

Montera av stänkskydden före transport och förvaring.

Förvara utrustningen i ett låsbart utrymme så att den är oåtkomlig för barn och obehöriga.

Om det finns risk för frysning ska maskinen dräneras från kvarvarande vatten.

Använd de medföljande boxarna för förvaring av utrustningen.

UNDERHÅLL

Allmänt



WARNING! Användaren får endast utföra sådana underhålls- och servicearbeten som beskrivs i denna bruksanvisning. Mer omfattande ingrepp skall utföras av en auktoriserad serviceverkstad.

Kontroll och/eller underhåll skall utföras med motorn frånslagen och stickkontakten utdragen ur uttaget.

Använd personlig skyddsutrustning. Se anvisningar under rubrik "Personlig skyddsutrustning".

Maskinens livslängd kan förkortas och risken för olyckor kan öka om underhåll av maskinen inte utförs på rätt sätt och om service och/eller reparationer inte utförs fackmannamässigt. Om du behöver ytterligare upplysningar kontakta närmaste serviceverkstad.

Låt din Husqvarna-återförsäljare regelbundet kontrollera maskinen och göra nödvändiga inställningar och reparationer. Utför alltid underhåll och service i en ren miljö utan skröp på golvet.

Underhållsschema

I underhållsschemat kan du se vilka delar av din maskin som kräver underhåll och med vilka intervaller det ska ske. Intervallen är beräknade för daglig användning av maskinen och kan variera beroende på nyttjandegraden.

	Daglig tillsyn	För varje kvadratmeter av sågning
Rengöring	Utvändig rengöring	
Smörjning	Spreja kedjan och svärdet med olja.	Fetta in svärdet med 2–3 tryckningar i smörjstället
	Fetta in svärdet. Tryck in fett i smörjstället tills svärdskenan är fylld med fett.	
Funktionskontroll	Allmän översyn	
	Vattensystem	
	Kåpa och stänkskydd	
	Svärd, diamantkedja och kedjedrivhjul	

Rengöring

Utvändig rengöring

Väggsågstillbehöret bör rengöras efter avslutad sågning. Använd rengöringsborsten som medföljer väggsågen och anslut den till vattenslangen. Rengör all utrustning i systemet.



WARNING! Använd inte högtryckstvätt för att spola maskinen.

UNDERHÅLL

Funktionskontroll

Allmän översyn



WARNING! Använd aldrig skadade kablar. De kan orsaka allvarliga, även dödliga, personskador.

- Kontrollera att skruvar och muttrar är åtdragna.
- Kontrollera att alla ytor är rena.
- Kontrollera kåpan och stänkskyddet med avseende på skador och slitage.
- Kontrollera drivhjulet med avseende på slitage.
- Kontrollera om kedja och sågsvärd har skador eller är slitna.
- Kontrollera kedjespänningen.
- Kontrollera kedjespänningsfunktionen.
- Kontrollera regelbundet slitagenivån hos kedjedrivhjulet. Byt om det är onormalt slitet.

Kontrollera före isärtagning

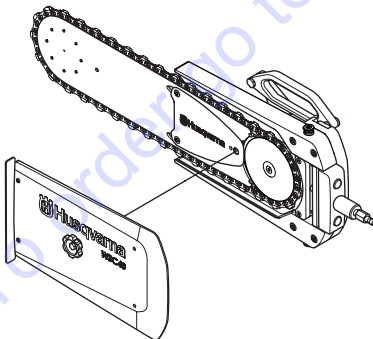


WARNING! Koppla alltid loss kraftkabeln till sågenheten före montering, nedmontering, rengöring och underhåll.

- 1 Koppla loss vattenslangarna från sågenheten och häng upp dessa på avsedd plats på transportvagnen.

Koppla loss vattenslangarna från sågenheten och häng upp dessa på avsedd plats på transportvagnen eller lådan.

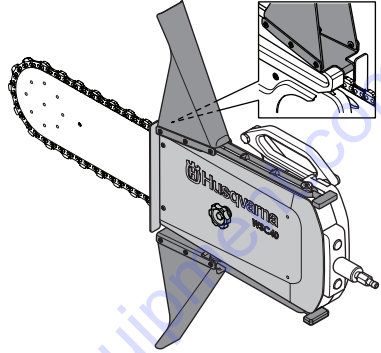
- 2 Ta bort stänkskyddet.
- 3 Skruva loss handtagets skruv och ta bort kåpan.



Kåpa och stänkskydd

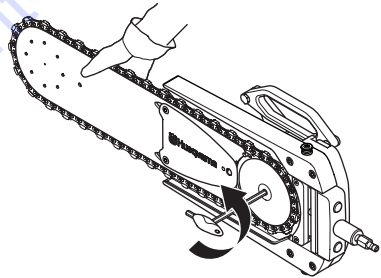
Kontrollera kåpan och stänkskyddet.

Se till att det inte finns några sprickor eller hål från slamblästring i transmissionskåpa eller stänkskydd. Byt ut kåpan eller skyddet om de är skadade.

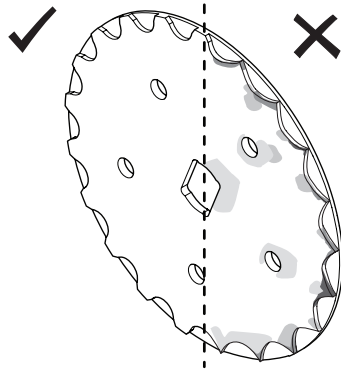


Kedjedrivhjul

- 1 Håll kedjan med ena handen och skruva loss skruven med medföljande insexnyckel. Ta bort klämbrickan.

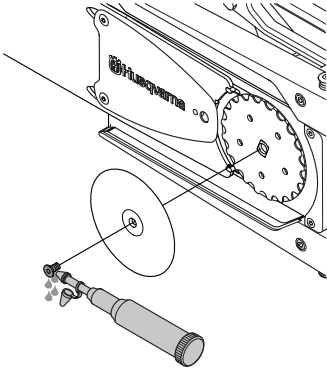


- 2 Kontrollera regelbundet slitagenivån hos kedjedrivhjulet. Byt om det är onormalt slitet.

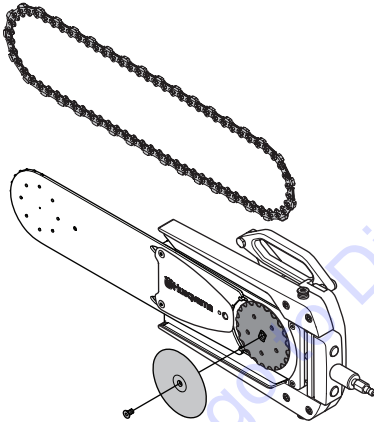


UNDERHÅLL

- 3 När kedjedrivhjulet har lossats, ska skruv, gängor och skruvskalle smörjas in. Om skruven inte är riktigt insmord kommer den att lossna.

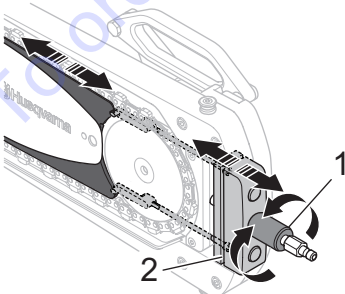


- 4 Dra alltid åt skruven med åtdragningsmoment 20 Nm (15 ft-lb).



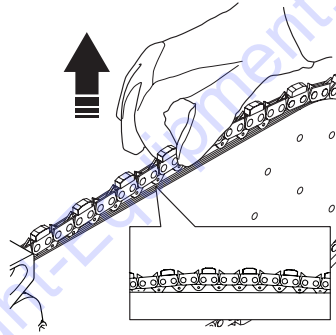
Sågkedja

- 1 Skruva loss handtaget (1) helt, för att lossa kedjespänningen.



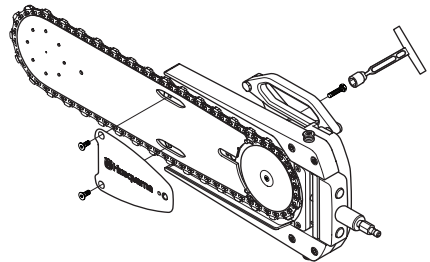
- 2 Dra ut kedjan för att slacka spänningsmekanismen (2) och ta av kedjan.
- 3 Kontrollera om kedjan har skador eller är sliten. Montera en ny kedja på svärdskenan om det behövs.
- 4 Kedjespänningen justeras med handtaget (1).

OBSERVERA! Rätt diamantkedjespänning på den här maskinen skiljer sig från övriga kedjesågar. När kedjan är perfekt spänd ligger den hårt mot och i en perfekt cirkel runt svärdskenan. Efter spänningen skall du fortfarande kunna lyfta upp kedjan så att kedjeguiderna är parallella med svärdskenan och kedjan lätt kan dras runt.

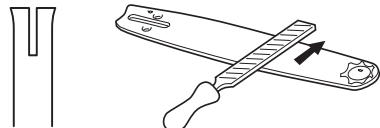


Sågsvärd

- 1 Använd 13 mm t-ringnyckel för att ta bort skruven som håller svärdet.



- 2 Använd medföljande insexnyckel för att ta bort de 2 skruvarna med försänkt huvud. Behåll skruvarna. Om dessa skruvar behöver bytas, ska enbart skruvar som visas i reservdelslistan (IPL) användas.
- 3 Ta bort svärdet och kontrollera om det är slitet.
- 4 Kontrollera om det finns grader på svärdskenans utsidor. Fila bort vid behov.

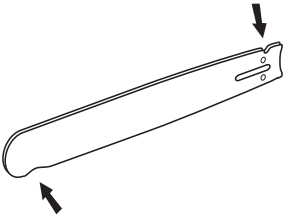


UNDERHÅLL

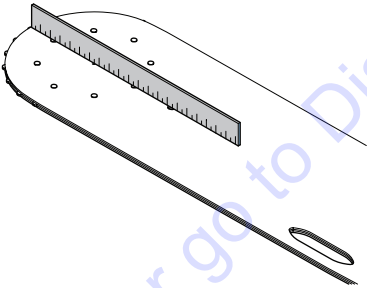
- 5 Kontrollera om svärdsspåret är onormalt slitet. Byt svärd vid behov.



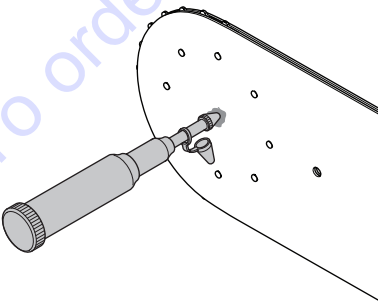
- 6 Kontrollera om svärdsspetsen är onormalt eller ojämnt slitet. Om en grop bildats där svärdsspetsens radie slutar på svärdets undersida, har du kört med otillräckligt sträckt sågkedja. För maximal livslängd på svärdet kan du ändra kedjans rotationsriktning i inställningarna på fjärrkontrollen. Mer information finns i bruksanvisningen för aggregatet från Husqvarna.



- 7 Använd en linjal för att kontrollera att svärdet inte är böjt. Lägg linjalen mot svärdsspetsen. Linjalen måste linjera med svärdet.

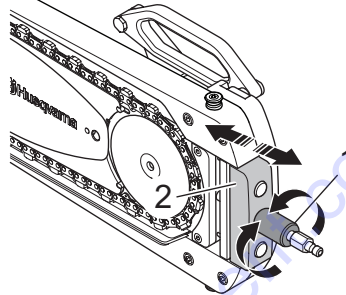


- 8 Fetta dagligen in svärdet och diamantkedjan.

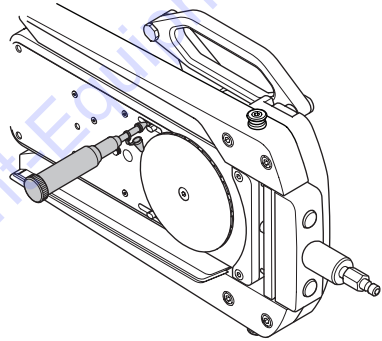


Kedjespänningsfunktion

- 1 Dra i det grå blocket för att kontrollera så att den rör sig fritt.

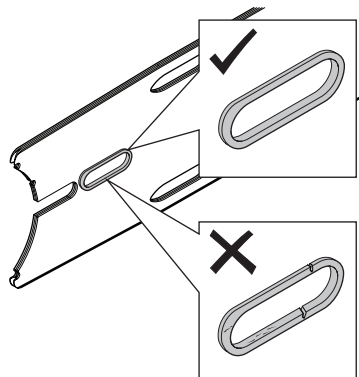


- 2 Rengör öppningarna och smörj in dem.



Tätningring

- 1 Kontrollera att tätningarna inte är slitna. Byt ut vid behov.

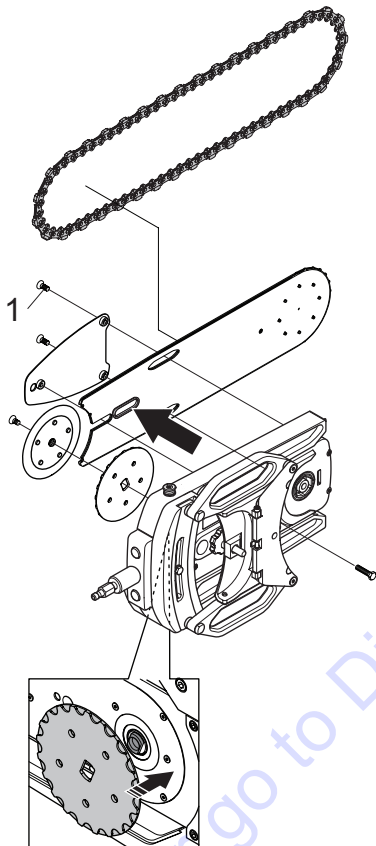


- 2 Rengör alla ytor.

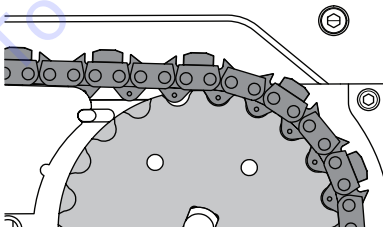
UNDERHÅLL

Montering efter underhåll

- 1 Placera kedjedrivhjulet på den utgående axeln.
- 2 Montera enligt bilden.



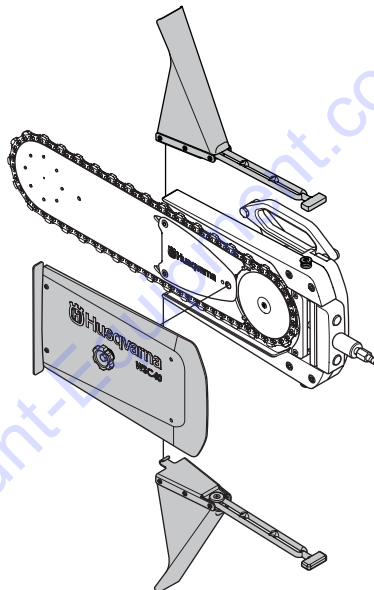
- 3 Dra åt de 2 skruvarna med försänkt huvud (1) med åtdragningsmoment 20 Nm.
- 4 Lägg kedjan på svärdskenan och se till att kedjan följer noshjulet och kedjedrivhjulet noggrant.



- 5 När kedjedrivhjulet har lossats, ska skruv, gängor och skruvskalle smörjas in. Om skruven inte är riktigt

insmord kommer den att lossna. Dra alltid åt skruven med åtdragningsmoment 20 Nm (15 ft-lb).

- 6 Använd vredet för att justera kedjespänningen. Kontrollera kedjespänningen. Dra åt klämbrickan med skruven. Använd åtdragningsmoment 20 Nm (15 ft-lb).
- 7 Sätt tillbaka kåpan. Dra åt vredet försiktigt för hand.



FELSÖKNING

Felsökningsschema



VARNING! Om servicearbete eller felsökning inte kräver att maskinen är igång ska motorn vara frånslagen med stoppkontakten i läge stopp.

Problem	Trolig orsak	Tänkbar lösning
Sågen sågar tungt eller går inte in i materialet.	Slitage på kedja eller svärd.	Inspektera och byt vid behov.
	Nya diamanter behöver frigöras i kedjan.	Byt kedjans rotationsriktning.
Sågen sågar snett.	Slitage på kedja eller svärd.	Inspektera och byt vid behov.
	Handtagsbågen på sågheten är böjd.	Justera eller byt ut handtagsbågen.
Sågningen går tungt, även utanför materialet.	För mycket fett vid smörjningen.	Låt sågen rotera i luften i en minut.
	Felaktigt montage.	Inspektera om någon del är felaktigt monterad; klämbricka, drivhjul, kedja, svärd, klingaxel.
	Rost eller korrosion.	Smörj delarna med fett. Byt ut delar vid grav korrosion.
Svärdet skakar vid vissa varvtal.	Slitet drivhjul.	Inspektera och byt vid behov.
För höga vibrationsnivåer	Diamantkedjan felaktigt monterad	Kontrollera att svärdet och diamantkedjan är hel och korrekt monterad. Se anvisningar i avsnitt "Diamantkedjor" och "Underhåll".
Onormalt slitage på kedja eller svärd.	För lite vatten används vid sågning.	Byt diamanter på kedjan och kontrollera att den är hel.
	För hög effekt i PP 480 eller PP 490.	Se till att du valt sågläge "kedja" i fjärrkontrollen. Saknas detta läge ska du kontakta din Husqvarna serviceverkstad för uppdatering av mjukvara.
	Fel kedjespänning	Justera kedjespänningen
	Glapp i monteringen/felaktig montering.	Rör maskinen fram och tillbaka för att kontrollera att alla delar är korrekt monterade och att den är korrekt monterad i väggen.
Sågen sågar i en båge i djupled.	Svärdet är skadat.	Permanent skada. Byt svärd.
	Sågning har utförts utan att man först försågat med klinga.	Permanent skada. Byt svärd.
	Du har träffat ett långsgående järn.	Flytta sågen i sidled och gör ett nytt snitt.

TEKNISKA DATA

WSC 40

Ineffekt max (kW)	9,2
Input, max (rpm)	1200
Kraftöverföring	Växeldrev
Ingång, max vridmoment (Nm)	230
Växellådsoljevolym, (dl/fl oz)	1,5/5
Kylvattentryck - max, (bar/PSI)	10/145
Min. rekommenderat vattenflöde, (l/min/gal/min)	3,5/1
Kylvattnets max.temp vid 3,5 l/min / 1 gal/min (C/F)	60/140

Vikt

WSC 40 inklusive två skydd (kg/lbs)	19/42
Fullständig vikt med transportlåda, (kg/lbs)	27/60

Bulleremissioner (se anm. 1)

Ljudeffektnivå, uppmätt L_w dB(A)	105
-------------------------------------	-----

Ljudnivåer (se anm. 2)

Ljudtrycksnivå vid användarens öra, dB(A)	83
---	----

Anm. 1: Emission av buller till omgivningen uppmätt som ljudeffekt (L_w) enligt EN 15027/A1. Generell mätosäkerhet 2,5 dB(A).

Anm. 2: Ljudtrycksnivå enligt EN 15027/A1.

Generell mätosäkerhet 4 dB(A).

Rekommenderad skärutrustning, specifikation, kedja

Svärd och diamantkedja	Antal diamantkedjesegment:	Diamantkedjedelning (pitch) (mm/tum)	Diamantsegmentets bredd (mm/tum)	Kedjans maxhastighet (m/s / ft/s)
24" (0,444")	37	11,582/0,444	5,7/0,22	28/92

Rekommenderad skärutrustning, specifikation, svärdet

Svärdets längd (mm/tum)	Max. rakt skärdjup (mm/tum)	Max. kapdjup (mm/tum)	Min. klippbredd (mm/tum)	Svärdets bredd med kedja (mm/tum)	Svärdets bredd (mm/tum)
614/24	300/12	400/15,7	200/8	192/8	154/6

SYMBOLFORKLARING

Symboler på maskinen:

ADVARSEL! Maskinen kan ved forkert eller skødesløs brug være et farligt redskab, som kan medføre alvorlige skader eller dødsfald for brugeren eller andre.



Læs brugsanvisningen omhyggeligt igennem og forstå indholdet, inden du bruger maskinen.



Brug altid:

- Godkendt beskyttelseshjelm
- Godkendt høreværn
- Beskyttelsesbriller eller ansigtsværn
- Åndedrætsværn



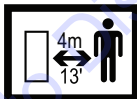
Fare for skæring. Hold alle kropsdele væk fra skæreredskabet.



Fare for flyvende genstande. Operatøren skal altid stå i en vinkel skråt bag en sav for at undgå at blive ramt af genstande fra materialet.



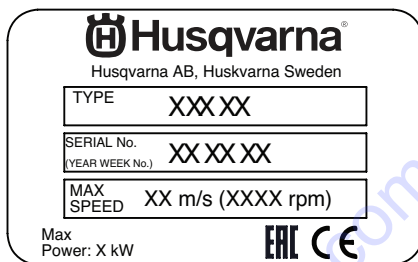
Hold sikker afstand til maskinen. Operatørens mindste sikkerhedsafstand til bevægelige dele under drift er 4 meter.



Dette produkt er i overensstemmelse med gældende CE-direktiv.



Maskinens mærkningsplade



Række 1: Mærke

Række 2: Producentens adresse

Række 3: Type

Række 4: Serienummer (år, uge, nummer)

Række 5: Maks. hastighed

Række 6: Maks. effekt, certificeringssymboler anvendes på visse markeder.

Forklaring til advarselniveauer

Advarslerne er inddelt i tre niveauer.

ADVARSEL!



ADVARSEL! Bruges, hvis operatøren udsætter sig for risiko for alvorlig personskade eller dødsfald, og der er stor risiko for skader på omgivelserne ved tilsidesættelse af instruktionerne i manualen.

VIGTIGT!



VIGTIGT! Bruges, hvis operatøren udsætter sig for risiko for personskade, eller der er risiko for skader på omgivelserne ved tilsidesættelse af instruktionerne i manualen.

BEMÆRK!

BEMÆRK! Bruges, hvis der er risiko for skader på materialer eller maskinen ved tilsidesættelse af instruktionerne i manualen.

Andre symboler/etiketter på maskinen gælder specifikke krav for certificering på visse markeder.

INDHOLD

Indhold

SYMBOLFORKLARING

Symboler på maskinen:	50
Maskinens mærkningsplade	50
Forklaring til advarselsniveauer	50

INDHOLD

Indhold	51
---------------	----

PRÆSENTATION

Til vore kunder!	52
Design og funktioner	52
WSC 40	52

HVAD ER HVAD?

Hvad er hvad på WSC 40?	53
-------------------------------	----

MASKINENS SIKKERHEDSUDSTYR

Generelt	54
----------------	----

DIAMANTKÆDER

Generelt	55
Kontrollér kæden	55
Kontrollér saven	55
Materiale	55
Glasering	55
Transport og opbevaring	55

SAMLING OG JUSTERINGER

Generelt	56
Vægbeslag og skinne	56
Montering af savvogn og sav	56
Kontrol af, at klingebeskyttelsen er parallel med klingen	56
Monter tilbehøret til den vægmonterede sav	56
Montering af diamantkæde	58
Sådan spændes diamantkæden	58
Montering af stænkskærm	58
Tilslut kraftenheden	59
Afmonter tilbehøret	59

BETJENING

Beskyttelsesudstyr	60
Grundlæggende arbejdsteknik	62
Anbefalet kædehastighed	64

START OG STOP

Før start	65
Start	65
Vælg køretilstand	65
Kalibrering	65
Stop	65
Afmontering af sav	65
Rengøring	65

VEDLIGEHOLDELSE

Generelt	66
Vedligeholdelsesskema	66
Rengøring	66
Funktionseftersyn	67

FEJLFINDING

Fejlsøgningsskema	71
-------------------------	----

TEKNISKE DATA

WSC 40	72
Specifikationer for anbefalet skæreudstyr, kæde ..	72
Specifikationer for anbefalet skæreudstyr specifikation, sværd	72
EF-overensstemmelseserklæring	73

TO PURCHASE THIS PRODUCT PLEASE CONTACT US



**Equipment Financing and
Extended Warranties Available**



**Discount-Equipment.com is your online resource for
commercial and industrial quality parts and equipment sales.**

561-964-4949

visit us on line @ www.discount-equipment.com

Select an option below to find your Equipment

Search by Manufacturer

Search by Product Type

Request a Quote

We sell worldwide for the brands: Genie, Terex, JLG, MultiQuip, Mikasa, Essick, Whiteman, Mayco, Toro Stone, Diamond Products, Generac Magnum, Airman, Haulotte, Barreto, Power Blanket, Nifty Lift, Atlas Copco, Chicago Pneumatic, Allmand, Miller Curber, Skyjack, Lull, Skytrak, Tsurumi, Husquvarna Target, Stow, Wacker, Sakai, Mi-T-M, Sullair, Basic, Dynapac, MBW, Weber, Bartell, Bennar Newman, Haulotte, Ditch Runner, Menegotti, Morrison, Contec, Buddy, Crown, Edco, Wyco, Bomag, Laymor, EZ Trench, Bil-Jax, F.S. Curtis, Gehl Pavers, Heli, Honda, ICS/PowerGrit, IHI, Partner, Imer, Clipper, MMD, Koshin, Rice, CH&E, General Equipment, Amida, Coleman, NAC, Gradall, Square Shooter, Kent, Stanley, Tamco, Toku, Hatz, Kohler, Robin, Wisconsin, Northrock, Oztec, Toker TK, Rol-Air, APT, Wylie, Ingersoll Rand / Doosan, Innovatech, Con X, Ammann, Mecalac, Makinex, Smith Surface Prep, Small Line, Wanco, Yanmar

PRÆSENTATION

Til vore kunder!

Tak, fordi du har valgt et produkt fra Husqvarna!

Vi håber, at du vil blive tilfreds med din maskine, og at den bliver din ledsager i lang tid fremover. Når du køber vores produkter, får du samtidig adgang til professionel hjælp med reparationer og service. Hvis maskinen er købt et sted, som ikke er autoriseret forhandler af vores produkter, skal du spørge dem efter nærmeste serviceværksted.

Denne brugsanvisning har stor værdi. Sørg for, at den altid er ved hånden på arbejdsstedet. Ved at følge brugsanvisningen (brug, service, vedligeholdelse osv.) kan du forlænge maskinens levetid væsentligt og endda forøge dens værdi ved videresalg. Hvis du sælger din maskine, skal du huske at overdrage brugsanvisningen til den nye ejer.

Mere end 300 års innovation

Husqvarna AB er en svensk virksomhed med en tradition, der går tilbage til 1689, da den svenske kong Karl XI lod opføre en fabrik til fremstilling af musketter. Allerede dengang blev fundamentet lagt for den ingeniørkunst, der ligger bag udviklingen af en række af verdens førende produkter på områder som jagtvåben, cykler, motorcykler, hvidevarer, symaskiner og produkter til udendørs brug.

Husqvarna er førende på verdensplan inden for motoriserede udendørsprodukter til skovbrug, parkvedligeholdelse og plæne- og havepleje samt skæreudstyr og diamantværktøj til byggeri og stenindustrien.

Ejeransvar

Det er ejerens/arbejdsgiverens ansvar, at operatøren er i besiddelse af tilstrækkelig viden om sikker brug af maskinen. Værkførere og operatører skal have læst og forstået brugermanualen. De skal være opmærksomme på:

- Maskinens sikkerhedsinstruktioner.
- Maskinens anvendelsesområder og begrænsninger.
- Hvordan maskinen skal bruges og vedligeholdes.

National lovgivning kan indeholde bestemmelser for brugen af denne maskine. Undersøg, hvilke love der er gældende for arbejdsstedet, inden du bruger maskinen.

Producentens forbehold

Efter offentliggørelse af denne brugervejledning kan Husqvarna udsende supplerende oplysninger med henblik på sikker drift af dette produkt. Det er ejerens pligt at holde sig opdateret angående de sikreste arbejdsmetoder.

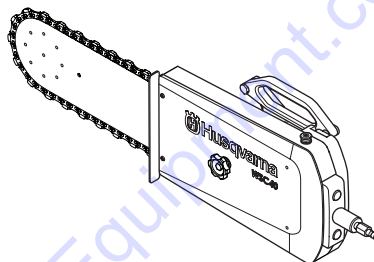
Husqvarna AB forsøger hele tiden at videreudvikle sine produkter og forbeholder sig derfor ret til ændringer af bl.a. form og udseende uden forudgående varsel.

Design og funktioner

Værdier som høj ydeevne, driftssikkerhed, innovativ teknologi, avancerede tekniske løsninger og hensyntagen til miljøet kendetegner Husqvarnas produkter. Sikker drift af dette produkt kræver, at operatøren læser denne vejledning omhyggeligt. Spørg din forhandler eller Husqvarna, hvis du har brug for flere oplysninger.

En række af dit produkts unikke egenskaber er beskrevet nedenfor.

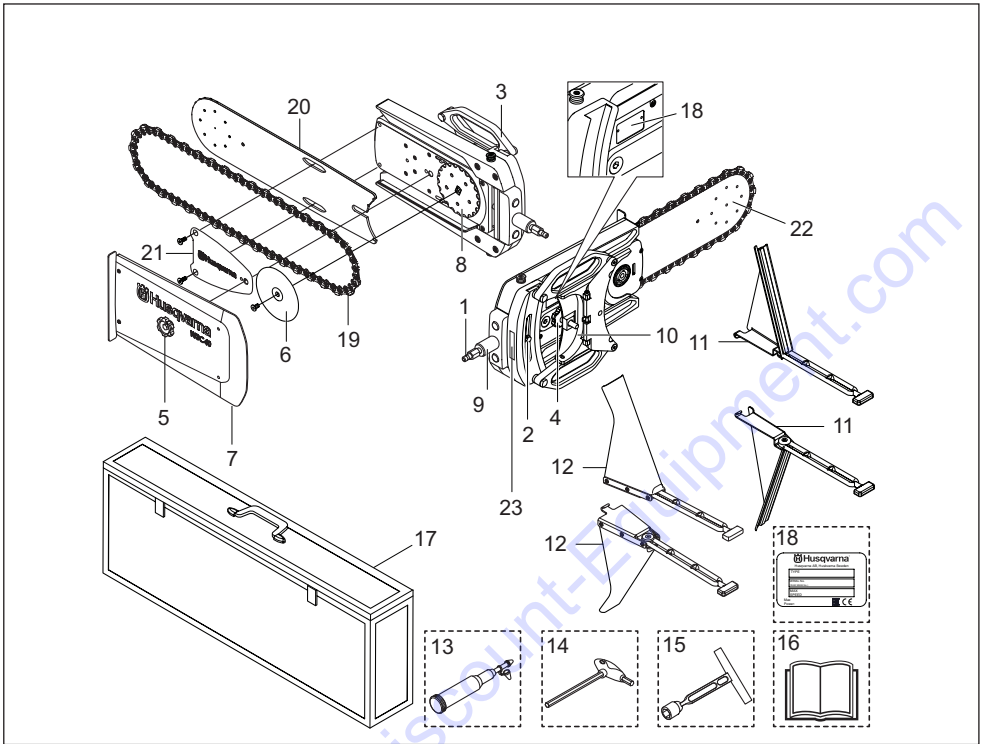
WSC 40



Dette tilbehør til vægmonteret kædesav er en del af et vægmonteret savsystem, der fungerer med de vægmonterede save WS 440 og WS 482. Dette tilbehør til vægmonteret kædesav er designet til at skære i hårdt materiale som f.eks. armeret beton, murværk eller sten, og det må ikke anvendes til noget formål, der ikke er beskrevet i denne manual. For at betjene denne maskine en Husqvarna WS 440/WS 482 og et Husqvarna højfrekvent strømaggregat påkrævet.

- Dette tilbehør til vægmonteret kædesav bruges til at undgå overskæring, når der skæres åbninger.
- Maskinen muliggør skæring af mindre åbninger til ventilation, rør mv.
- Kædens hastighed styres elektronisk og justeres ved hjælp af fjernbetjeningen til strømheden.
- Der skal være samme justering mellem kæden og sporet som for WS 440 og WS 482 med klingene.
- Kædens omdrejningsretning kan styres med fjernbetjening, som giver mulighed for at vælge retning af vandtilførslen.
- Designet er let, kompakt og ergonomisk, hvilket gør maskinen nem at transportere.
- Den specifikke software til WSC 40 er installeret i strømaggregatet og gør automatiske justeringer af fremføringsmotorens bevægelser for at skabe lige skæringer. Sørg for, at du har installeret den nyeste software på dit strømaggregat.

HVAD ER HVAD?



Hvad er hvad på WSC 40?

- | | |
|--|-----------------------------|
| 1 Slangtilslutning, vand ind | 13 Fedtsprøjte |
| 2 Vinkeljusterings skrue | 14 Unbrakonøgle (5 mm) |
| 3 Parallelt håndtag | 15 T-topnøgle (13 mm) |
| 4 Låseknop til klemme | 16 Brugsanvisning |
| 5 Låseknop | 17 Opbevaringskasse |
| 6 Spændeskive | 18 Maskinens mærkningsplade |
| 7 Transmissionsdæksel | 19 Diamantkæde |
| 8 Kædedrivhjul | 20 Sværd |
| 9 Justeringsgreb for kædespænding | 21 Spændeplade |
| 10 Spændeband til håndtag på vægmonteret sav | 22 Næsehjul |
| 11 Glatskæringsskærm | 23 Advarselsskilt |
| 12 Stærkbeskyttelse | |

MASKINENS SIKKERHEDSUDSTYR

Generelt

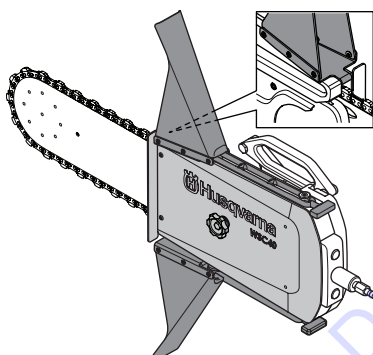
I dette afsnit forklares mere om maskinens sikkerhedsdetaljer, hvilken funktion de har, samt hvordan kontrol og vedligeholdelse skal udføres for at sikre, at de fungerer. Se kapitel Hvad er hvad? for at se, hvor disse detaljer er placeret på maskinen.



ADVARSEL! Brug aldrig en maskine med defekt sikkerhedsudstyr! Sikkerhedsudstyret skal efterses og vedligeholdes. Hvis sikkerhedsudstyret eller maskinens dele er beskadiget på nogen måde skal det sendes til et serviceværksted til reparation.

Afdækning og stænkskærme

Afdækning og stænkskærm skal altid bruges, når der saves.



Dækslet og stænkskærmen giver beskyttelse mod kontakt med bevægelige dele, udstødte stumper, kastet vand og betonslam. Stænkskærme er også beregnet til at opfange diamantkæden, hvis den hopper af.

Vi anbefaler, at begge stænkskærme monteres, men i nogle tilfælde (ved savning justeret til gulv eller loft) kan en af stænkskærmene fjernes midlertidigt. Der skal være monteret mindst en stænkskærm i retning af strålen. Sæt den fjernede stænkskærm på igen efter skæring.

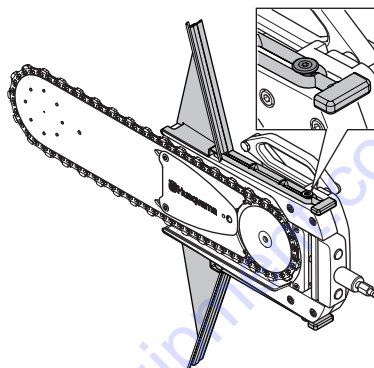
Kontrollér afdækning og stænkskærm.

Sørg for, at der ikke er revner eller huller fra slam i dæksel og skærme.

Udskift dækslet eller skærme, hvis de bliver beskadiget.

Afskærmninger til glatskæring

Denne maskine kan bruges til glatskæring. Til glatskæring bruges specialdesignede stænkskærme. Disse skærme må kun bruges til glatskæring.



Kontrollér, om skærmene er beskadiget eller slidte. Sørg for, at skærmene ikke er beskadiget. Udskift skærmene, hvis de er beskadiget.

Kraftenhed

Kontrollér sikkerhedsudstyret på det medfølgende strømaggregat. Se betjeningsvejledningen til strømaggregatet.

Kontrollér også sikkerhedsinstruktionerne og vejledning til operatøren i betjeningsvejledningen for den specifikke vægmonterede sav samt strømaggregat.

DIAMANTKÆDER

Generelt



ADVARSEL! Kædebrud kan forårsage alvorlige skader, hvis kæden kastes ind mod operatøren. Et forkert skæreudstyr eller en forkert sværd/savkædekombination øger risikoen for kast! Brug kun de sværd/savkædekombinationer, vi anbefaler.

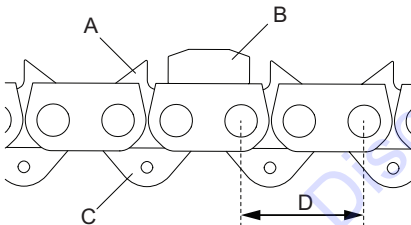


ADVARSEL! Tag altid strømstikket ud af savenheden inden installation, rengøring og vedligeholdelse. Skødesløshed kan medføre alvorlig personskade eller dødsfald.



ADVARSEL! Ved al håndtering af kæden skal der bruges handsker.

- A) Drivled med stødværn
- B) Skæreled med diamantsegment
- C) Kædestyr



Diamantkædedeling: Deling=D/2

Denne enhed må kun anvendes med en kæde med dobbelt stødværn, da maskinen kan betjenes i begge rotationsretninger.

Når du bruger en kæde med dobbelt stødværn, kan kæden monteres begge veje rundt.

Kontrollér kæden

- Kontrollér, at kæden ikke udviser tegn på skader i form af ustabile ledforbindelser, brækkede ryttere eller drivled eller brækkede segmenter. Hvis diamantkæden bliver beskadiget, skal den udskiftes.
- Hvis kæden har været udsat for kraftig fastklemning eller anden unormal overbelastning, bør kæden afmonteres fra sværdet med henblik på et grundigt eftersyn.

Kontrollér saven

Saven er forsynet med en række sikkerhedsdele, som beskytter operatøren ved et kædebrud. Disse sikkerhedsdele skal kontrolleres, inden arbejdet

påbegyndes. Anvend aldrig saven, hvis følgende dele er beskadigede eller mangler:

- Koblingsdæksel
- Beskadiget kæde
- Beskadiget eller manglende stænkskærm

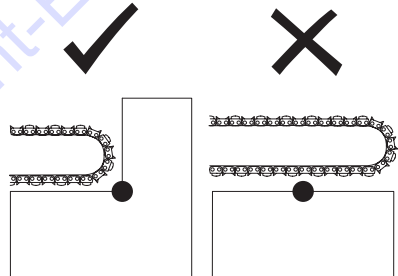
Materiale



ADVARSEL! Under ingen omstændigheder må diamantkædesaven konverteres til at skære andre materialer end dem, den er beregnet til. Den må aldrig blive udstyret med en savkæde til tømmer/træ.

Denne maskine er konstrueret til og beregnet til savning i beton, mursten og forskellige stenmaterialer. Al anden anvendelse er ikke korrekt.

Saven må ikke anvendes til savning af rene metaller. Dette fører sandsynligvis til segmentbrud eller kædebrud. Diamantsegmentet kan godt anvendes til savning i armeret beton. Forsøg på at save armeringen sammen med så meget beton som muligt, det skåner kæden.



Glasering

Efter skæring af meget hårdt beton eller sten kan diamantsegmentet miste noget af sin skæreevne. Dette kan også forekomme, hvis du er tvunget til at skære med et lavt delvist tryk (diamantkæden kører mod emnet i hele stangens længde). Løsningen på dette problem er at ændre omdrejningsretningen på kæden.

Transport og opbevaring

- Efter endt arbejde skal diamantkædesaven køre med vandtryk i mindst 15 sek. for at rense sværd, kæde og drivmekanisme for partikler. Skyl maskinen med vand. Hvis maskinen ikke skal bruges et stykke tid, anbefaler vi at smøre kæden og sværdet med olie for at modvirke tæring.
- Kontrollér alt skæreudstyr for skader, der er opstået under transport og opbevaring.

SAMLING OG JUSTERINGER

Generelt



ADVARSEL! Tag altid strømstikket ud af sagenheden inden installation, rengøring og vedligeholdelse. Ikke-autoriserede ændringer og/eller ikke-godkendt tilbehør kan medføre alvorlig personskade eller dødsfald for brugeren eller andre.

Vægbeslag og skinne

Monter systemet i henhold til betjeningsvejledningen for den specifikke vægmonterede sav.

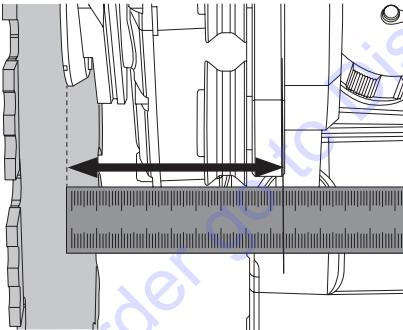
Montering af savvogn og sav

Monter systemet i henhold til betjeningsvejledningen for den specifikke vægmonterede sav.

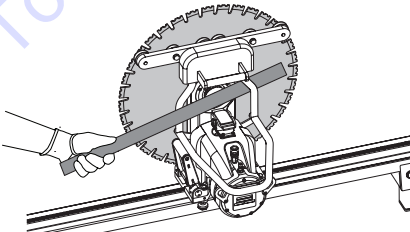
Kontrol af, at klingebeskyttelsen er parallel med klingens

I forbindelse med justeringen af WSC 40 til skæring, skal du sørge for, at styret på den vægmonterede sav ikke er beskadiget.

- 1 Monter styret til klingebeskyttelsen på styret, og mål mellem hver af endehjulene og skiven. Afstanden mellem ydersiden af hjulstyret og klingens skal være cirka 102 +/- 2 mm.



- 2 Hvis differencen er større end 2 mm, skal du fjerne styret og justere rammen med en jernstang, så styret er parallelt med klingens.



Monter tilbehøret til den vægmonterede sav.

VIGTIGT! Opbevar altid maskinen i den medfølgende kasse, når den ikke er i brug.



ADVARSEL! Beskyt hænderne med handsker.



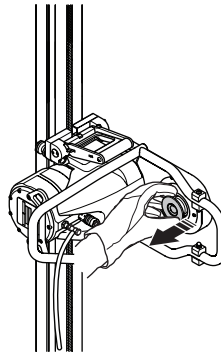
ADVARSEL! Kun én person bør udføre monteringsproceduren af maskinen for at undgå uforudsete begivenheder.



ADVARSEL! Risiko for knusningsskader! Hold maskinen stabilt.

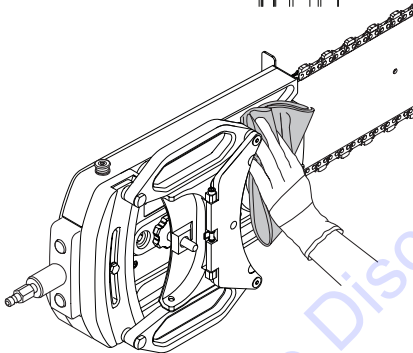
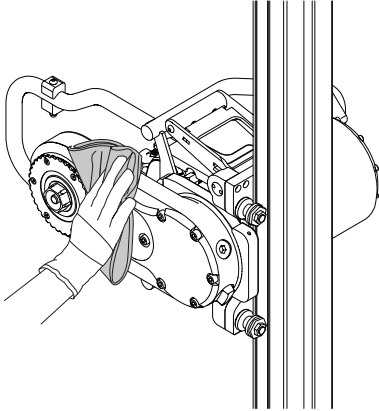
VIGTIGT! Hold gulvet rent under monteringen. Sørg for, at ingen genstande er i vejen.

- 1 Fjern kniven og klingeflansen i henhold til betjeningsvejledningen for den specifikke vægmonterede sav.
- 2 Sørg for, at spindelnavet er i den yderste position. Det er ikke muligt at påsætte WSC 40, hvis sekskantakslen er i den inderste position.

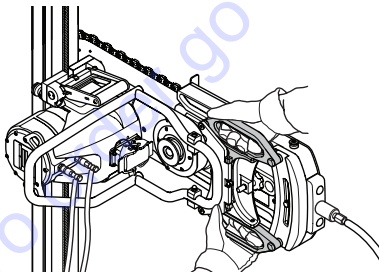


SAMLING OG JUSTERINGER

- 3 Sørg for, at overfladerne på maskinen og på savhovedet er rene.

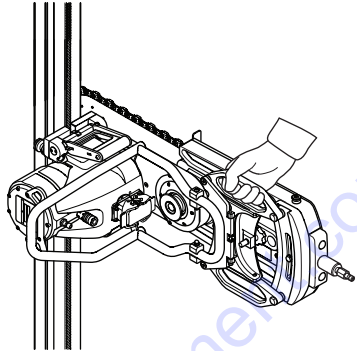


- 4 Brug begge hænder til at løfte maskinen i det parallelle håndtag i opbevaringsboksen.

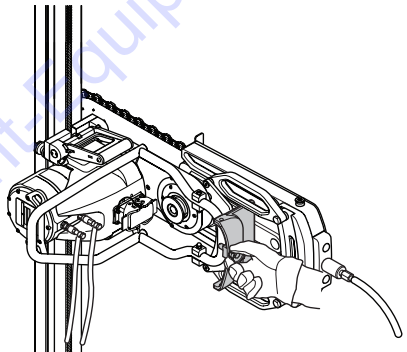


- 5 Skub WSC 40 på armen på den vægmonterede sav. Tryk på den sekskantede aksel, mens du kører den forsigtigt rundt om midten for at justere akslen. Akslen skal nu være i den mellemste, låste position, kontrollér

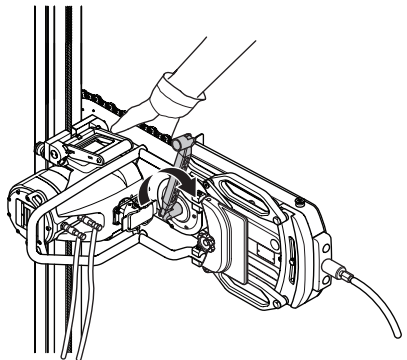
dette ved at trække i tilbehøret til den vægmonterede sav. Sørg for, at maskinen er låst på savarmen.



- 6 Sæt klemmen på, der låser tilbehøret til styret. Spænd låseknappen.

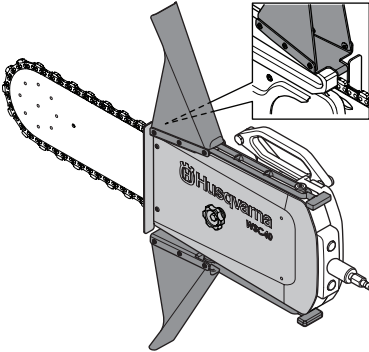


- 7 Spænd maskinen til savhovedet med bolten i spindelnavet. Læg en hånd på kæden for modstand. Husk at tage handsker på. Brug den 18 mm skruenøgle, som leveres med værktøjskassen. Brug et tilspændingsmoment på 70-80 Nm.

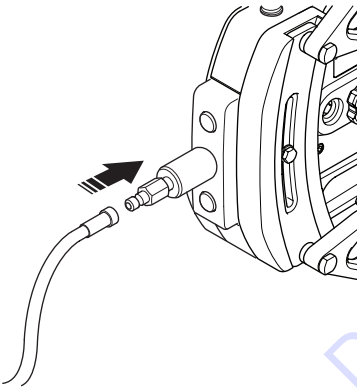


SAMLING OG JUSTERINGER

8 Monter stænkskærme.



9 Tilslut vandslangen.



ADVARSEL! Kontrollér, at monteringen er udført korrekt, før du tilslutter strømmen.

Montering af diamantkæde



ADVARSEL! Du må ikke montere eller afmontere værktøjet eller skærmene uden først at tage strømkablet ud af savenheden. Skødesløshed kan medføre alvorlig personskade eller dødsfald.



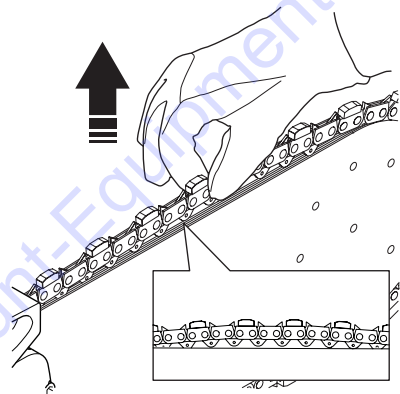
ADVARSEL! Sørg for at montere tilbehøret til den vægmonterede sav omhyggeligt, så det ikke går løs under skæring. Ikke-autoriserede ændringer og/eller ikke-godkendt tilbehør kan medføre alvorlig personskade eller dødsfald for brugeren eller andre.

Sådan spændes diamantkæden

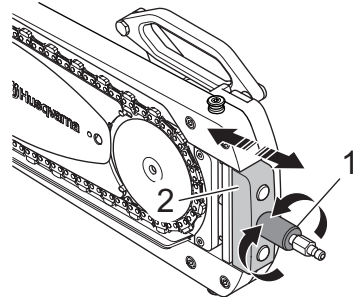


ADVARSEL! En utilstrækkeligt strammet diamantkæde kan resultere i savkædeafhop, hvilket kan forårsage alvorlige, ja endog livsfarlige personskader.

Den korrekte diamantkædespænding på denne maskine adskiller sig fra andre kædesave. Når kæden er strammet perfekt, er kæden spændt fast i en perfekt cirkel rundt om kædestangen. Efter opspænding bør det stadig være muligt at flytte kæden og løfte den, så kædestyrene er parallelle med kædestangen.



Løsn skruen til spændeskiven fra bagsiden med en 13 mm T-nøgle. Brug justeringsgrebet til at stramme kæden.



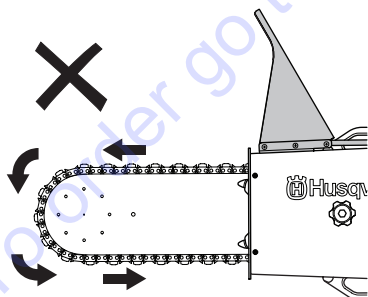
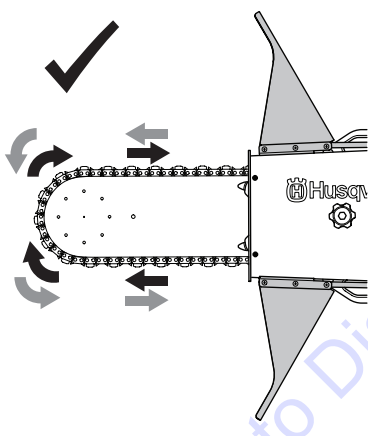
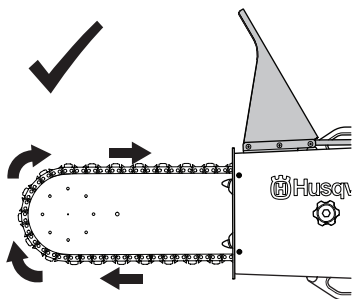
Montering af stænkskærm

Stænkskærmen til skæreudstyret skal monteres på siderne af maskinen med gummistropperne. Stænk og gnister fra det materiale, der skæres i, opsamles dermed af afskærmningen og føres væk fra brugeren.

Da man kan vælge diamantkædens omdrejningsretning, kan man også vælge retningen af vandtilførslen fra kæden, uanset hvordan saven vender på skinnen.

SAMLING OG JUSTERINGER

Både når saven bruges til glatskæring og normal skæring, er stænskærmene monteret i retning af kædens omdrejning.



Tilslut kraftenheden



ADVARSEL! Dette produkt er kun beregnet til brug sammen med strømaggregater i Husqvarna PP 400-serien. Al anden anvendelse er forbudt.

Læs vejledningen, som følger med kraftenheden, før du begynder at anvende maskinen.

Maksimal strøm til enheden er 9,2 kW og derfor vises 16 A-tilstanden, når WSC 40 bruges med PP 480 og PP 490. Dette indstilles automatisk, når kædens tilstand er valgt i fjernbetjeningen. Kontrollér, at strømaggregatet er opdateret med nyeste software.

Afmonter tilbehøret



ADVARSEL! Tag altid strømkablet til savenheden ud inden montering, adskillelse, rengøring og vedligeholdelse. Ikke-autoriserede ændringer og/eller ikke-godkendt tilbehør kan medføre alvorlig personskade eller dødsfald for brugeren eller andre.

- 1 Frakobl den indgående strømledning og den indgående vandslange.
- 2 Fjern stænskærmene.
- 3 Læg hånden på kæden for at forhindre, at den flytter sig, og løsn bolten i spindelnavet med 18 mm nøglen. Skru bolten af, og sørg for at spindelnavet er i den midterste position.
- 4 Tag godt fat omkring vandtilslutning på WSC 40. Skru låsegrebet på låseklemmen op. Sæt låseklemmen på for at fastgøre de parallelle håndtag.
- 5 Tag godt fat i det parallelle håndtag med den frie hånd. Træk spindelnavet på armen på den vægmonterede sav til den yderste position. Fjern maskinen.
- 6 Opbevar altid maskinen i den medfølgende kasse, når den ikke er i brug.

Beskyttelsesudstyr

Generelt

Brug aldrig maskinen uden mulighed for at kunne tilkalde hjælp i tilfælde af en ulykke.

Personligt beskyttelsesudstyr

Ved enhver anvendelse af maskinen skal der bruges godkendt personligt beskyttelsesudstyr. Det personlige beskyttelsesudstyr udelukker ikke risikoen for skader, men det mindsker effekten af en skade ved en ulykke. Bed din forhandler om hjælp ved valg af udstyr.



ADVARSEL! Brug af produkter, som skærer, sliber, borer, finsliber eller former materiale, kan danne støv og damp, som kan indeholde skadelige kemikalier. Kontrollér beskaffenheden af det materiale, du arbejder med, og brug et egnet åndedrætsværn.

Langvarig eksponering for støj kan medføre permanente høreskader. Brug derfor altid godkendt høreværn. Vær altid opmærksom på advarselssignaler eller tilråb, når høreværnet bruges. Tag altid høreværnet af, så snart motoren er standset.

Der er altid klemningsfare ved arbejde med produkter med bevægelige dele. Anvend beskyttelsehandsker for at undgå skader på kroppen.

Brug altid:

- Godkendt beskyttelseshjelm
- Høreværn
- Godkendt øjenværn. Hvis der anvendes visir, skal der også anvendes godkendte beskyttelsesbriller. Med godkendte beskyttelsesbriller menes briller, som opfylder standarden ANSI Z87.1 for USA eller EN 166 for EU-lande. Visirer skal opfylde standarden EN 1731.
- Åndedrætsværn
- Kraftige gribesikre handsker.
- Tætsiddende, kraftigt og bekvemt tøj, som tillader fuld bevægelsesfrihed Bær ikke shorts
- Støvler med stålsnude og skridsikre såler.
- Vær opmærksom på, at tøj, langt hår og smykker kan blive fanget af de bevægelige dele.

Andet beskyttelsesudstyr



ADVARSEL! Der kan forekomme gnister, som kan antænde en brand, når der arbejdes med maskinen. Hav altid brandslukningsudstyr inden for rækkevidde.

- Brandslukker
- Førstehjælpssæt

Generelle sikkerhedsinstruktioner



ADVARSEL! Læs alle sikkerhedsadvarsler og alle anvisninger. Hvis man ignorerer advarsler og anvisninger, kan det medføre elektrisk stød, brand og/eller alvorlig tilskadekomst.

Dette afsnit behandler grundlæggende sikkerhedsregler for arbejde med maskinen. Den givne information kan aldrig erstatte den kundskab, en faguddannet bruger har i form af uddannelse og praktisk erfaring. Når du kommer ud for en situation, som du er usikker på, skal du spørge en ekspert til råds. Henvend dig til en forhandler, til dit serviceværksted eller til en, der har erfaring med brugen af maskinen. Undgå at udføre opgaver, som du ikke føler dig tilstrækkeligt kvalificeret til!

- Læs brugsanvisningen omhyggeligt igennem og forstå indholdet, inden du bruger maskinen.
- Læs vejledningen, som følger med kraftenheden, før du begynder at anvende maskinen.
- Maskinen er kun beregnet til at blive anvendt sammen med en Husqvarna WS 440 /WS 482. Al anden anvendelse er forbudt.
- Maskinen kan forårsage alvorlige personskader. Læs sikkerhedsinstruktionerne omhyggeligt igennem. Gør dig bekendt med, hvordan du skal anvende maskinen.
- Vær opmærksom på, at føreren er ansvarlig for uheld eller risici, som andre personer eller disses ejendom udsættes for.
- Alle operatører skal undervises i at bruge maskinen. Ejeren har ansvaret for, at operatøren får denne undervisning.
- Maskinen skal holdes ren. Skilte og mærkater skal være fuldstændigt læsbare.
- Opbevar alle advarsler og instruktioner til senere brug.



ADVARSEL! Maskinen kan ved forkert eller skodesløs brug være et farligt redskab, som kan medføre alvorlige skader eller dødsfald for brugeren eller andre.

Lad aldrig børn eller personer, som ikke er instrueret i håndtering af maskinen, bruge eller vedligeholde den.

Lad aldrig andre bruge maskinen, uden at du har sikret dig, at vedkommende har forstået indholdet i brugsanvisningen.

BETJENING



ADVARSEL! Ikke-autoriserede ændringer og/eller ikke-autoriseret tilbehør kan medføre alvorlige skader eller dødsfald for brugeren eller andre.

Foretag aldrig ændringer på maskinen, så den ikke længere svarer til originaludførelsen, og undlad at bruge maskinen, hvis den ser ud til at være blevet ændret af andre.

Arbejd aldrig med en maskine, et batteri eller en batterilader, som er defekt. Følg vedligeholdelses-, kontrol- og serviceanvisningerne i denne brugsanvisning. Visse vedligeholdelses- og serviceforanstaltninger må kun udføres af erfarne og kvalificerede specialister. Se anvisningerne under afsnittet Vedligeholdelse.

Anvend kun originale reservedele.

Brug altid din sunde fornuft

Det er umuligt at dække alle tænkelige situationer, du kan komme ud for. Vær altid forsigtig og brug din sunde fornuft.

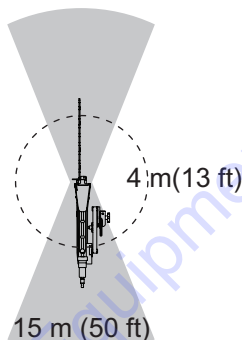
Når du kommer ud for en situation, som du er usikker på, skal du spørge en ekspert til råds. Henvend dig til en forhandler, til dit serviceværksted eller til en, der har erfaring med brugen af maskinen. Undgå at udføre opgaver, som du ikke føler dig tilstrækkeligt kvalificeret til!

Sikkerhed i arbejdsområdet

- Kontrollér altid bag på væggen, hvor sværdet og diamantkæde kommer ud ved gennemskæring. Fastgør, afspær risikoområdet og sørg for, at ingen personer kan komme til skade, eller at materialer beskadiges.
- Kontrollér altid, hvor gasledningerne løber, og mærk området af. Det er altid farligt at save i nærheden af gasledninger. Sørg for, at der ikke opstår gnister ved savningen, idet disse udgør en eksplosionsfare. Vær derfor altid koncentreret og fokuseret på opgaven. Uopmærksomhed kan resultere i alvorlig personskade eller dødsfald.
- Kontrollér, at der ikke er trukket rørledninger eller elektriske kabler i arbejdsområdet eller i selve materialet, der skal skæres i.
- Sørg for, at der ikke hænger strømførende elkabler i arbejdsområdet.
- Sørg for, at der ikke opholder sig uvedkommende inden for arbejdsområdet, ellers er der risiko for alvorlige personskader. Sikkerhedsafstanden er 15 meter (50 ft).
- Undgå anvendelse i dårligt vejr. F.eks. i tæt tåge, kraftig regn, hård vind og kraftig kulde osv.

- At arbejde i dårligt vejr er trættende og kan skabe farlige situationer, f.eks. glat underlag.
- Sørg for at arbejdsområdet er tilstrækkeligt oplyst for at skabe et sikkert arbejdsmiljø.
- Sørg altid for, at du har en sikker og stabil arbejdsposition.

Maskinens risikoområde



ADVARSEL! Sørg for, at der ikke opholder sig uvedkommende inden for arbejdsområdet, ellers er der risiko for alvorlige personskader. Sikkerhedsafstanden er 15 meter (50 ft).



ADVARSEL! Operatørens mindste sikkerhedsafstand til bevægelige dele under drift er 4 meter. Operatøren skal altid stå i en vinkel skråt bag en sav for at undgå at blive ramt af genstande fra materialet. Vær ekstra forsigtig ved opstart, når saven trænger ind i materialet.



VIGTIGT! Ingen personer, der ikke er iført ovenstående beskyttelsesudstyr, må opholde sig inden for det risikoområde, hvori der kan forekomme omkringflyvende materiale.

Elektrisk sikkerhed

Se afsnittene om elektrisk sikkerhed i vejledningen til vægsaven og det anvendte strømaggregat.



ADVARSEL! Vask ikke maskinen med en højtryksrenser, da vand kan trænge ind i det elektriske system eller motoren og forårsage skade på maskinen eller kortslutning.

BETJENING

Personlig sikkerhed

- Lad aldrig maskinen være uden opsyn, når motoren er i gang.
- Sav aldrig på en måde, hvor du ikke let kan nå nødstopet på fjernbetjeningen eller kraftenheden. Se kraftenhedens manual.
- Sørg altid for, at der er en person i nærheden, når du bruger maskinen, så du kan tilkalde hjælp, hvis der skulle indtræffe en ulykke.
- Personer, der skal være i umiddelbar nærhed af maskinen, skal bære påkrævet beskyttelsesudstyr, herunder høreværn, da støjniveauet ved skæring overskrider 85 dB(A).
- Vær forsigtig ved løft. Du håndterer tunge dele, hvilket medfører klemningsfare og risiko for anden skade.
- Du kan blive distraheret af både mennesker og dyr, således at du mister kontrollen over maskinen. Vær derfor altid koncentreret og fokuseret på opgaven.
- Vær opmærksom på, at tøj, langt hår og smykker kan blive fanget af de bevægelige dele.
- **Fjern alle indstillingsnøgler eller tænger, før elværktojet tændes.** En tang eller nøgle, der efterlades på en roterende del af elværktojet, kan forårsage personskade.
- Lad aldrig maskinen være uden opsyn, når motoren er i gang.
- Fare for knusning. Hvis maskinen monteres forkert, kan den falde ned og beskadige operatøren.
- Vær forsigtig ved løft. Du håndterer tunge dele, hvilket medfører klemningsfare og risiko for anden skade.

Brug og pleje

- Før montering eller afmontering af værktøj eller skærme, skal du først tage elkablet til savenheden ud.
- Sluk altid for kraftenheden og vent, til motoren er helt standset, før du trækker elledningen ud.
- Skær aldrig uden at bruge korrekte afskærmninger.
- Kontrollér, at kæden ikke er i kontakt med noget, når maskinen startes.
- Operatørens mindste sikkerhedsafstand til bevægelige dele under drift er 4 meter. Operatøren skal altid stå i en vinkel skråt bag en sav for at undgå at blive ramt af genstande fra materialet.
- Der skal altid anvendes vandkøling. Dette køler kæden og kædestangen og øger dens levetid samt mindsker støvdannelse.
- Kontrollér, at alle koblinger, tilslutninger og ledninger er hele, rene og uden skader.
- Før savning skal alle de snit, der skal foretages, markeres tydeligt og planlægges, så de kan udføres uden fare for personer eller maskinen.
- Betonblokke skal fastgøres og forankres forsvarligt, før savning påbegyndes. Det afskårne materiales tunge vægt kan forårsage både omfattende skader på

maskinen og alvorlig personskade, hvis det ikke kan fjernes under kontrollerede forhold.

Transport og opbevaring

- Tag altid elkablet ud, før udstyret flyttes.
- Afmonter klingens og klingeafsærmningen før transport og opbevaring.
- Opbevar udstyret i et aflåseligt område, så den ikke er tilgængelig for børn og uvedkommende.
- Hvis der er risiko for frost, skal al vandkølevæske aftappes fra maskinen.
- Anvend de medfølgende bokse til opbevaring af udstyret.

Grundlæggende arbejdsteknik



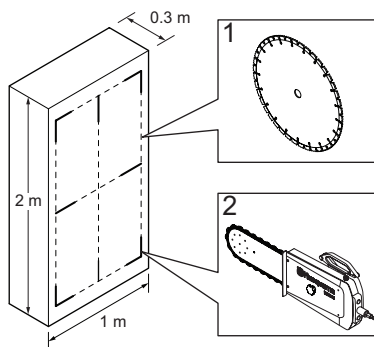
ADVARSEL! Arbejdsteknik til WSC 40 er kun gældende for dette produkt. Tilpas aldrig disse arbejdsteknikker til andet udstyr.



ADVARSEL! Brug altid en klinge med segmenter, som er bredere end segmenterne på kæden. Dette er yderst vigtigt, hvis der anvendes en håndholdt maskine til at afslutte skæringen. Hvis en skinnestyret maskine som WSC 40 bruges, kan der ses bort fra dette.

Start skæringen med den vægmonterede sav med klinge (1) i henhold til illustrationen. Anvend derefter tilbehøret til den vægmonterede sav (2) i henhold til illustrationen.

Skæringen skal udføres i henhold til illustrationen.



Før klingens 3-7 cm frem. Udfør en pilotskæring for at få en lige skæring, som danner grundlæg for næste skæring. Skæring skal foretages omhyggeligt. Skærearmer har plads til, at der kan anvendes klinger op til 1.000 mm (40") som startklinge. Det anbefales dog at starte skæring med en klinge på 800 mm (31,5").

- Når styresnittet er savet, er det muligt at save dybere snit. Dybden på disse bestemmes fra gang til gang og

BETJENING

afhænger af faktorer som betonens hårdhed, forekomsten af armeringsjern etc.

- Hvis du skifter klinger for at skære dybere i samme spor, skal du sørge for, at klingens tykkelse passer til savsporets bredde.
- Lad maskinen arbejde uden at tvinge eller presse klingen ind.

Når skæring med klingen er afsluttet, skal du erstatte klingen med tilbehøret til den vægmonterede sav og skære resten af materialet for at få skarpe hjørner.

Hvis du skærer i stærkt armeret beton eller et hårdt aggregat, bør du starte skæring A minus 50 mm (2") fra hjørnet. Kontrollér tabel under overskæring for A-målinger.

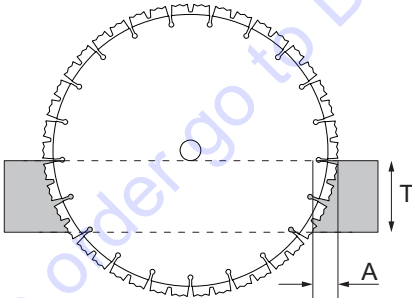
BEMÆRK! Du kan ændre indstillingen i fjernbetjeningen til kædetilstand, når du bruger tilbehøret til den vægmonterede sav.

Før tilbehøret til den vægmonterede kædesav ind mod væggen, og skær med næsehjulet. Softwaren justerer automatisk indføringen på langs for at udføre skæring med næsehjulet. Sørg for, at der er nok plads til savvognen til endestoppet af sporet, når skæring starter (vælg den korrekte retning for armrotation).

BEMÆRK! Sørg for, at kædetilstand er valgt i fjernbetjeningen. Ellers slides værktøjet for meget.

Overskæring

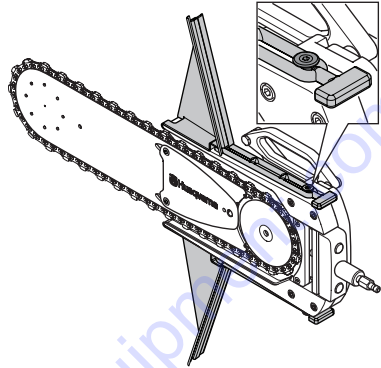
Overskæringslængden afhænger af tykkelsen på væggen og klingens, der anvendes.



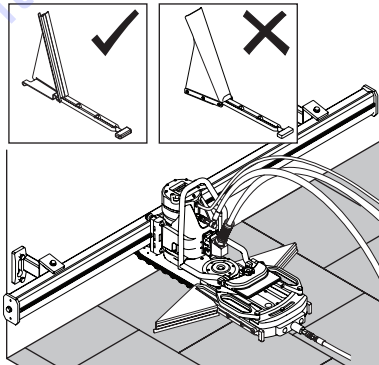
Klingestørrelse	800 mm/32"	1000 mm/40"
T (mm/inch)	A (overskæring mm/tommer)	
200/8	100/4	80/3
250/10	160/6	120/5
300/12	250/10	160/6
350/14	-	230/9
400/16	-	335/13

Ret savning

Fjern stænkskærme til normal skæring samt koblingsdækslet. Udskift stænkskærmene med de medfølgende skærme til glatskæring.



Vi anbefaler, at begge stænkskærme monteres, men ved nogle anvendelser (ved skæring justeret til gulvet eller loftet) kan en af stænkskærmene fjernes midlertidigt. Skærmen i kæderetningen skal monteres som minimum. Udskift skærmen efter skæring.

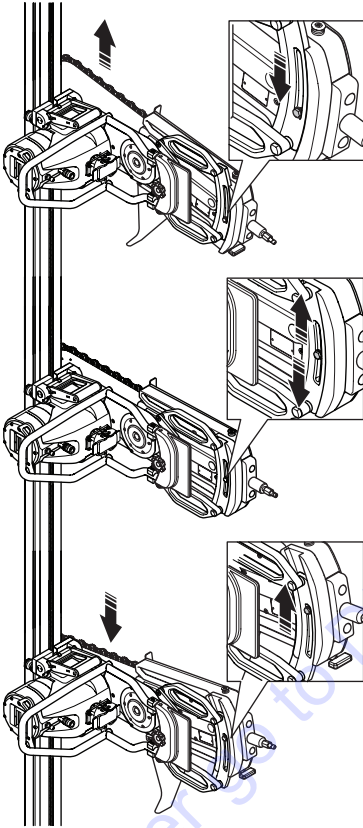


BETJENING

Vinkeljustering

Vinkeljustering bruges til at få en perfekt skæring i vinkler tæt på loft, væg eller gulv. Juster vinklen til maksimumposition. Retningen er afhængig af skæringen.

Løs skruen, og juster vinklen.



ADVARSEL! Spænd altid skruen med et tilspændingsmoment på 20 Nm (15 ft-lbs).

Anbefalet kædehastighed

For at opnå det bedste skæreresultat skal du bruge fuld skærehastighed (28 m/sek.) i blød og medium beton.

Hvis WS 482 anvendes, skal det sikres, at det mekaniske gear 2 er aktiveret for at sikre den korrekte visning af kædehastigheden.

BEMÆRK! Skæring med for lavt omdrejningstal kan forårsage skader på kæden og kædestangen. Kontrollér, at det korrekte mekaniske gear er valgt! En lavere kædehastighed bør anvendes ved skæring i hård beton i forhold til skæring i blød beton.

START OG STOP

Før start

- Indhegn området, der skal saves i, så uvedkommende ikke kan komme til skade eller forstyrre operatøren.
- Kontroller, at klingen og klingeafskærmningen er intakt og fri for revner. Udskift klingeafskærmningen, hvis den har været udsat for slag eller er revnet.
- Kontrollér, at kæden, kædestangen og kædeafskærmning ikke er beskadiget eller revnet. Udskift en eller flere af disse dele, hvis de er blevet udsat for slag eller har revner.
- Kontroller, at alle ledninger og vandforsyningen er korrekt tilsluttet til maskinen, før du starter den.

Start

Følg instruktionerne for start i den manual, der følger med kraftenheden.

BEMÆRK! Sørg for, at den korrekte køretilstand for WSC40 er valgt i fjernbetjeningen. Ellers kan der forekomme voldsomt slid på kæden og kædestangen.

VIGTIGT! Sørg for, at du har installeret den nyeste software på dit strømaggregat og fjernbetjeningen. Husqvarnas servicecenter kan levere den nyeste software til dig.

Vælg det mekaniske gear 2, hvis en vægmonteret sav WS 482 bruges.

Vælg køretilstand.

Køretilstande kan ændres med fjernbetjeningen, der leveres med udstyret til vægmonterede sav. Skift værktøjet mellem klinge og tilbehør til vægmonteret sav ved at trykke på pileknapperne op og ned.

Strømaggregatet kan vise flere valgmuligheder. Sørg for, at du har valgt den korrekte tilstand til værktøjet, der anvendes.

Hvis forkert køretilstand er valgt, kan der opstå kraftig slitage af værktøjerne.

Kalibrering

Hvis tilbehøret til den vægmonterede sav ikke skærer i en lige linje ind i væggen, er du muligvis nødt til at genkalibrere positionssensorerne.

- 1 Brug armrotation til at flytte saven til den yderste position. De to håndtag skal være helt parallelle.
- 2 Tryk på menu, vælg kalibrering af armposition, og tryk på OK. Positionen er nu kalibreret.

For yderligere oplysninger skal du se betjeningsvejledningen til Husqvarna-strømaggregatet.

Stop

- Når skæringen er udført, skal du trække WSC 40-stangen ud fra væggen og slukke for klingerotationen og vandgennemstrømningen.
- Sluk for kraftenheden.

Afmontering af sav

- 1 Vent, indtil motoren er helt standset.
- 2 Fjern strømforsyningen til kraftenheden.
- 3 Sluk for den indgående vandforsyning og frakobl den fra kraftenheden.
- 4 Fjern elledningen og vandslangen fra savenheden.
- 5 De øvrige punkter gennemføres i omvendt rækkefølge i forhold til monteringen.

Rengøring

Efter afsluttet savning skal saven gøres ren. Det er vigtigt, at hele savudstyret rengøres.

VIGTIGT! Brug ikke en højtryksrensere til at rengøre saven.

Transport og opbevaring

Afbryd altid kraftenheden og træk den elektriske ledning ud, før udstyret flyttes.

Afmonter stænkskærmene før transport og opbevaring.

Opbevar udstyret i et aflåseligt område, så den ikke er tilgængelig for børn og uvedkommende.

Hvis der er risiko for frost, skal maskinen være tømt for overskydende vand.

Anvend de medfølgende bokse til opbevaring af udstyret.

VEDLIGEHOELDELSE

Generelt



ADVARSEL! Brugeren må kun udføre den form for vedligeholdelses- og servicearbejde, der beskrives i denne brugsanvisning. Mere omfattende arbejde skal udføres af et autoriseret serviceværksted.

Kontrol og/eller vedligeholdelse må først udføres, når motoren slukket, og elkablet er taget ud af stikkontakten.

Brug personligt beskyttelsesudstyr. Se instruktionerne i afsnittet "Personligt beskyttelsesudstyr".

Maskinens levetid kan forkortes, og risikoen for ulykker kan øges, hvis maskinen ikke vedligeholdes korrekt, og hvis service og/eller reparation ikke udføres fagligt korrekt. Hvis du har brug for yderligere oplysninger, kan du kontakte nærmeste serviceværksted.

Lad din Husqvarna-forhandler efterse maskinen regelmæssigt og foretage nødvendige indstillinger og reparationer.

Udfør altid vedligeholdelse og service i et rent miljø uden snavs på gulvet.

Vedligeholdelsesskema

I vedligeholdelsesskemaet kan du se, hvilke dele af din maskine der skal vedligeholdes, og med hvilke intervaller det skal finde sted. Intervallerne er fastlagt med udgangspunkt i daglig anvendelse af maskinen og kan variere i henhold til brugsmonsteret.

	Dagligt eftersyn	For hver kvadratmeter skæring
Rengøring	Udvendig rengøring	
Smøring	skal du sprøjte kæden og sværdet med olie.	Smør sværdet med 2-3 slag i smørestedet
	Fedt sværdet. Slag i smørestedet, indtil kædestangen er dækket med fedt.	
Funktionseftersyn	Generelt eftersyn	
	Vandsystem	
	Dæksel og stænkskærm	
	Sværd, diamantkæde og kædehjul	

Rengøring

Udvendig rengøring

Tilbehøret til den vægmonterede sav skal renses, når skæringen er overstået. Brug rengøringsbørsten, der leveres med den vægmonterede sav, og slut den til vandslangen. Rengør alt udstyr i systemet.



ADVARSEL! Brug ikke en højtryksrenser til at rengøre filteret.

VEDLIGEHOJDELSE

Funktionseftersyn

Generelt eftersyn



ADVARSEL! Anvend aldrig beskadigede kabler. De kan forårsage alvorlig personskade med døden til følge.

- Kontrollér, at skruer og møtrikker er spændte.
- Kontrollér, at alle overflader er rene.
- Kontrollér afdækning og stænkskærme for beskadigelse eller slitage.
- Kontrollér drivhjulet for slitage.
- Kontrollér kæden, og kædestangen for beskadigelse og slitage.
- Kontrollér kædespændingen.
- Kontrollér kædespændingens funktion.
- Kontrollér regelmæssigt slitageniveauet for kædedrivhjulet. Udskift det, hvis det er unormalt slidt.

Adskil, før du kontrollerer

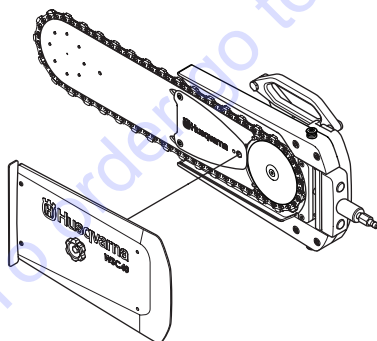


ADVARSEL! Tag altid strømkablet til savenheden ud inden montering, adskillelse, rengøring og vedligeholdelse.

- 1 Frakobl vandslangerne fra saven, og hæng dem på transportvognens dertil indrettede plads.

Frakobl vandslangerne fra savenheden, og hæng dem på den angivne plads på transportvognen eller boksen.

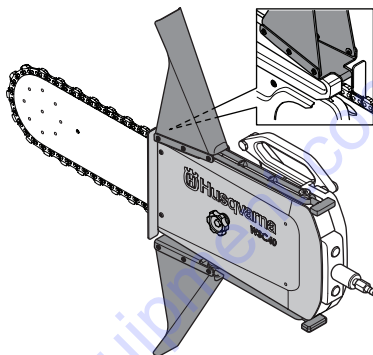
- 2 Fjern stænkskærmene.
- 3 Skru håndtaget ud, og fjern afdækningen.



Afdækning og stænkskærme

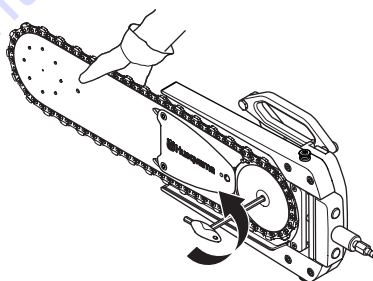
Kontrollér afdækning og stænkskærm.

Sørg for, at der ikke er revner eller huller fra slam i koblingsdækslet eller stænkskærmen. Udskift afdækningen eller skærmen, hvis de bliver beskadiget.

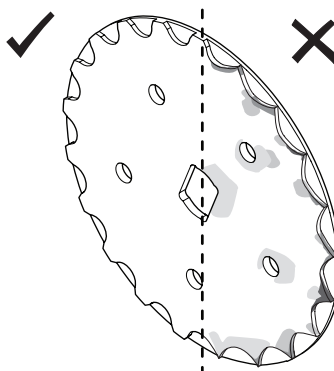


Kædedrivhjul

- 1 Hold kæden med én hånd, og skru skruen ud med den medfølgende unbrakonøgle. Fjern spændeskiven.

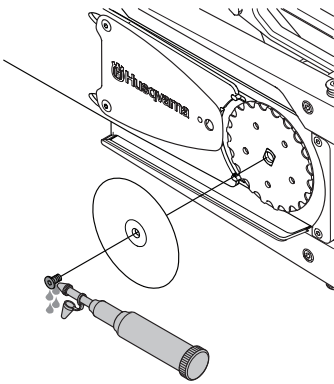


- 2 Kontrollér regelmæssigt slitageniveauet for kædedrivhjulet. Udskift det, hvis det er unormalt slidt.

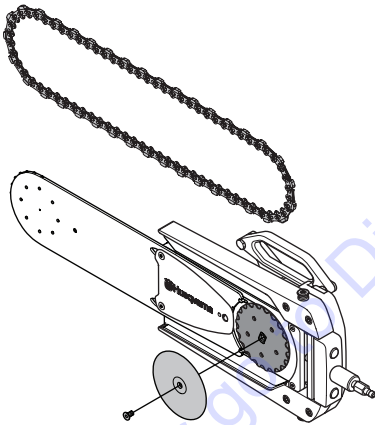


VEDLIGEHOLDELSE

- 3 Når drivhjulet er blevet løsnet, skal skruen, tråde og bolthovedet smøres. Hvis skruen ikke er smurt korrekt, løsner den sig.

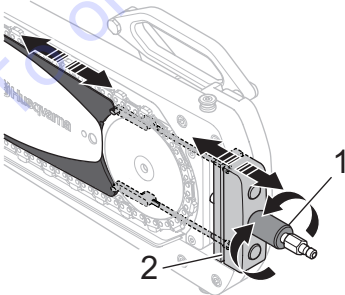


- 4 Spænd altid skruen med et tilspændingsmoment på 20 Nm (15 ft-lbs).



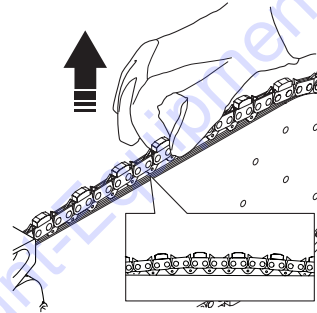
Savkæde

- 1 Skru håndtaget (1) helt ud for at løsne kædespændingen.



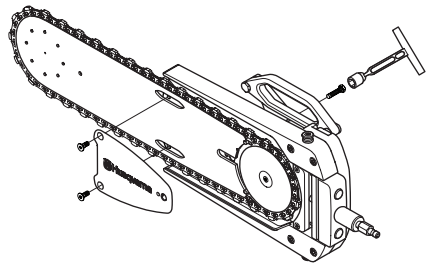
- 2 Træk i kæden for at udløse spændingsmekanismen (2), og fjern kæden.
- 3 Kontrollér kæden for beskadigelse eller slitage. Om nødvendigt skal du montere en ny kæde på kædestangen.
- 4 Kædespændingen justeres ved hjælp af håndtaget (1).

BEMÆRK! Den korrekte diamantkædespænding på denne maskine adskiller sig fra andre kædesave. Når kæden er strammet perfekt, er kæden spændt fast i en perfekt cirkel rundt om kædestangen. Efter opspænding bør det stadig være muligt at flytte kæden og løfte den, så kædestyrene er parallelle med kædestangen.

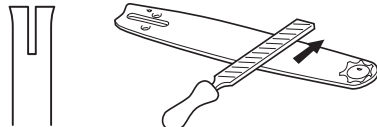


Sværd

- 1 Brug 13 mm T-topnøgle til at fjerne skruen, der holder sværdet.



- 2 Brug den medfølgende unbrakonøgle til at fjerne de 2 undersænkede skruer. Behold skruerne. Hvis disse skruer skal udskiftes, må du kun bruge skruerne fra den illustrerede reservedelsliste (IPL).
- 3 Afmonter sværdet, og kontrollér det for slitage.
- 4 Kontrollér, om der er grater på sværdets kanter. Fjern disse med en fil om nødvendigt.

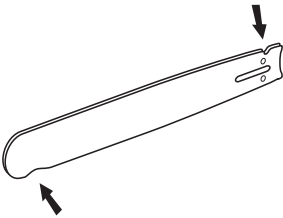


VEDLIGEHOJDELSE

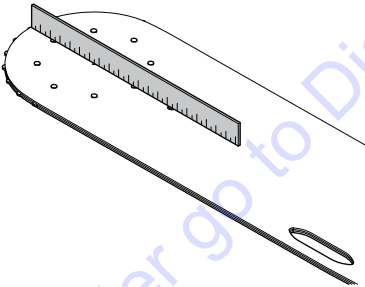
- 5 Kontrollér, om sværdsporet er meget slidt. Sværdet udskiftes om nødvendigt.



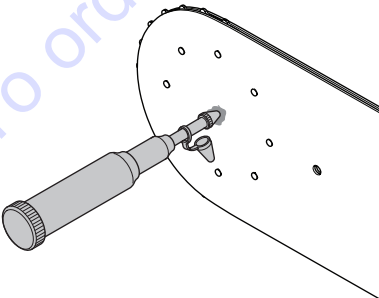
- 6 Kontrollér, om spidsen af sværdet er ujævnt eller meget slidt. Hvis der er dannet en 'fordybning', hvor sværdnæsens radius slutter på sværdets underside, har du kørt med utilstrækkeligt opstrammet savkæde. For at opnå en maksimal levetid af sværdet skal du ændre retning af kæderotationen i indstillingerne på fjernbetjeningen. For yderligere oplysninger skal du se betjeningsvejledningen for Husqvarna-strømaggregatet.



- 7 Brug en lineal til at kontrollere, at sværdet ikke er bøjet. Placer linealen mod sværdets spids. Linealen skal flugte med sværdet.

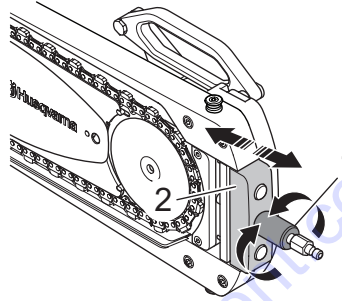


- 8 Fedt sværdet og diamantkæden dagligt.

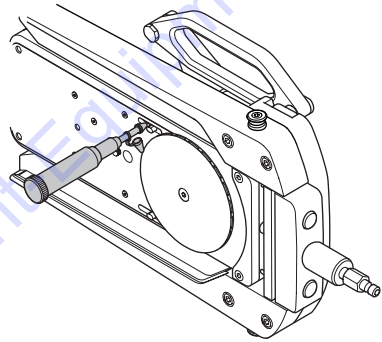


Kædespændings funktion

- 1 Træk i den grå blok for at kontrollere elasticiteten.

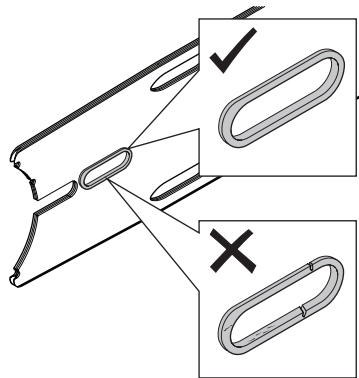


- 2 Rengør åbningerne, og smør dem.



Tætningsring

- 1 Kontrollér forseglingerne for slitage. Udskift om nødvendigt.

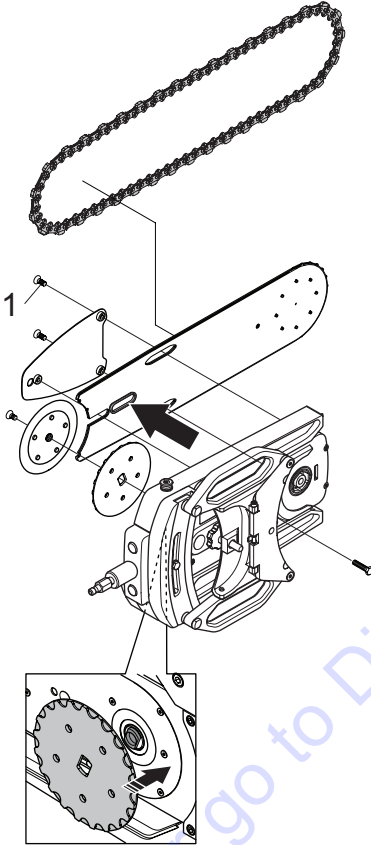


- 2 Rengør alle overflader.

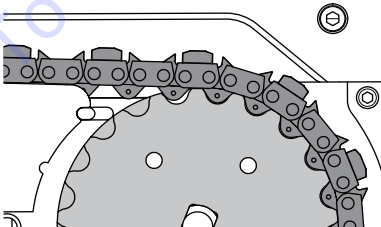
VEDLIGEHOJDELSE

Montering efter vedligeholdelse

- 1 Placer kædehullet på udgangsakslen.
- 2 Monter i henhold til illustrationen.



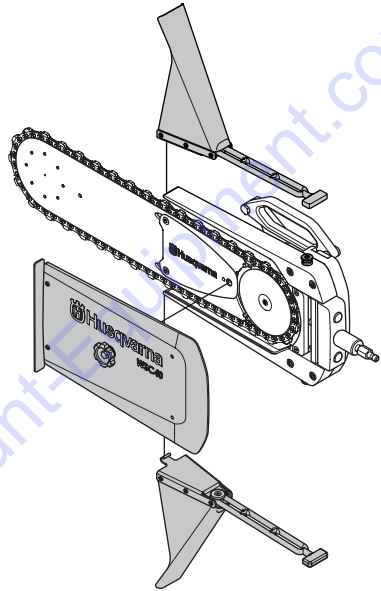
- 3 Spænd de 2 undersænkede skruer (1) med et tilspændingsmoment på 20 Nm.
- 4 Placer kæden på kædestangen, og sørg for, at kæden nøje følger næsehjulene og kædehjulene.



- 5 Når drivhjulet er blevet løsnet, skal skruen, tråde og bolthovedet smøres. Hvis skruen ikke er smurt

korrekt, løsner den sig. Spænd altid skruen med et tilspændingsmoment på 20 Nm (15 ft-lbs).

- 6 Brug drejeknappen til at justere kædespændingen. Kontrollér kædespændingen. Stram spændeskiven med bolten. Anvend et tilspændingsmoment på 20 Nm (15 ft-lbs).
- 7 Genmonter dækslet. Spænd grebet forsigtigt med hånden.



FEJLFINDING

Fejlsøgningskema



ADVARSEL! Hvis serviceaktiviteter eller fejlsøgning ikke kræver, at maskinen er tændt, bør motoren være slukket og stopkontakten befinde sig i STOP-positionen.

Problem	Mulig årsag	Løsningsforslag
Maskinen arbejder tungt eller skærer ikke i materialet.	Slid på kæden eller stang.	Kontrollér, og udskift om nødvendigt.
	Nye diamanter skal frigives i kæden.	Skift rotationsretningen af kæden.
Saven skærer skævt.	Slid på kæden eller stang.	Kontrollér, og udskift om nødvendigt.
	Håndtagsbuen på savenheden er bøjet.	Juster eller udskift håndtagsbuen.
Skæringen virker tung, også udenfor materialet.	For meget fedt ved smøring.	Lad saven rotere uden for materialet i et minut.
	Forkert montering.	Kontrollér for forkert montering; spændeskive, kædehjul, kæde, stang, aksel
	Rust eller korrosion.	Brug fedt til smøring. Udskift dele ved kraftig rust.
Stangen vibrerer ved bestemte hastigheder.	Drivhjulet er slidt.	Kontrollér, og udskift om nødvendigt.
Vibrationsniveauer er for høje	Diamantkæden er monteret forkert	Kontroller, at sværdet og diamanthækken er monteret korrekt og ikke viser tegn på skader. Se anvisningerne i afsnittene 'Diamantkæder' og 'Vedligeholdelse'.
Unormal slitage på kæden og stangen.	For lidt vand anvendes ved savning.	Udskift diamanthækken, og sørg for, at den er intakt.
	For høj effekt i PP 480 eller PP 490.	Sørg for, at du har valgt savposition "kæde" på fjernbetjeningen. Hvis denne position ikke findes, skal du kontakte dit Husqvarna serviceværksted for opdatering af softwaren.
	Forkert kædespænding	Juster kædespændingen.
	Spil i monteringen/forkert montering.	Flyt maskinen frem og tilbage for at kontrollere, at alle dele er monteret korrekt, og at vægmonteringen er udført korrekt.
I dybden arbejder maskinen i en bue.	Sværdet er beskadiget.	Permanente skader. Udskift sværdet.
	Skæring udføres uden forskæring med klinge.	Permanente skader. Udskift sværdet.
	Du har ramt tværgående jern.	Flyt saven til siden og foretag et nyt snit.

TEKNISKE DATA

WSC 40

Maks. strømindtag (kW)	9,2
Input, maks. (o/min)	1200
Kraftenhed	Geardrev
Omdrejningsmoment input, maks. (Nm)	230
Oliemængde for gearkasse (dl)	1,5/5
Maks. kølevandstryk (bar/psi)	10/145
Min. anbefalet vandgennemstrømning, (l/min)	3,5/1
Maks. temperatur for kølevand ved 3,5 l/min.(C)	60/140

Vægt

WSC 40 inkl. to afskærmninger (kg)	19/42
Samlet vægt med transportkasse (kg)	27/60

Støjemissioner (se anm. 1)

Støjniveau, målt i L_w dB(A)	105
--------------------------------	-----

Lydniveauer (se anm. 2)

Lydrykniveau ved brugerens øre, dB(A)	83
---------------------------------------	----

Anm. 1: Støjafgivelsen til omgivelserne måles som lydeffekt (L_w) i henhold til EN 15027/a1. Forventet måleusikkerhed 2,5 dB (A).

Anm. 2: Lydryknsniveau iht. EN 15027/A1.

Forventet måleusikkerhed 4 dB (A).

Specifikationer for anbefalet skæreudstyr, kæde

Sværd og diamantkæde	Antal diamantkæde-segmenter:	Diamantkædedeling (mm/tommer)	Diamantkædesegmentets bredde (mm/tommer)	Maks. kædehastighed (m/sek.)
24" (0,444")	37	11,582/0,444	5,7/0,22	28/92

Specifikationer for anbefalet skæreudstyr specifikation, sværd

Sværdets længde (mm/tommer)	Maks. lige skæredybde, (mm/tommer)	Maks. skæredybde, (mm/tommer)	Min. skærebredde, (mm/tommer)	Sværdbredde med kæde (mm/tommer)	Sværdbredde (mm/tommer)
614/24	300/12	400/15,7	200/8	192/8	154/6

SYMBOLFORKLARING

Symboler på maskinen:

ADVARSEL! Hvis maskinen brukes uforsiktig eller feilaktig, kan den være et farlig redskap som kan forårsake alvorlige skader eller dødsfall for brukeren eller andre.



Les nøye gjennom bruksanvisningen og forstå innholdet før du bruker maskinen.



Bruk alltid:

- Godkjent vernehjelm
- Godkjent hørselsvern
- Vernebriller eller visir
- Pustemaske



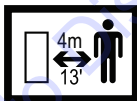
Fare for kuttskader. Hold alle deler av kroppen borte fra skjæreutstyret.



Fare for flyvende gjenstander. Brukeren må alltid stå i en skrå vinkel bak en sag som er i bruk, for å unngå risiko for å bli truffet av gjenstander fra materialet.



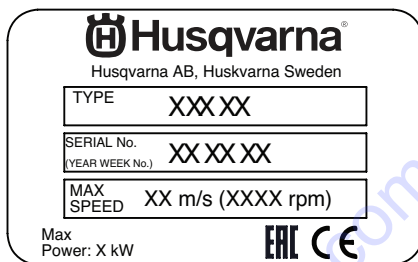
Hold en sikker avstand fra maskinen. Minimum sikkerhetsmargin for brukeren til bevegelige deler under drift er 4 meter.



Dette produktet er i overensstemmelse med gjeldende CE-direktiv.



Maskinens typeskilt



Rad 1: Merke

Rad 2: Produsentens adresse

Rad 3: Type

Rad 4: Serienummer (år, uke, nummer)

Rad 5: Maks. hastighet

Rad 6: Maks. effekt, sertifiseringssymboler gjeldende for visse markeder.

Forklaring av advarselmerker

Advarslene er delt inn i tre nivåer.

ADVARSEL!



ADVARSEL! Brukes hvis det er fare for alvorlig skade eller dødsfall for brukeren eller skade på omgivelsene hvis instruksjonene i håndboken ikke følges.

VIGTIG!



VIGTIG! Brukes hvis det er fare for skade på brukeren eller omgivelsene hvis instruksjonene i håndboken ikke følges.

OBS!

OBS! Brukes hvis det er fare for skade på gjenstander eller maskinen hvis instruksjonene i håndboken ikke følges.

Øvrige symboler/klistremerker angitt på maskinen gjelder spesifikke krav for sertifiseringer på visse markeder.

INNHold

Innhold

SYMBOLFORKLARING

Symboler på maskinen:	74
Maskinens typeskilt	74
Forklaring av advarselmerker	74

INNHold

Innhold	75
---------------	----

PRESENTASJON

Kjære kunde	76
Design og funksjoner	76
WSC 40	76

HVA ER HVA?

Hva er hva på WSC 40?	77
-----------------------------	----

MASKINENS SIKKERHETSUTSTYR

Generelt	78
----------------	----

DIAMANTKEDJER

Generelt	79
Kontroller kjedet	79
Kontroller sagen	79
Materiale	79
Eloksering	79
Transport og oppbevaring	79

MONTERING OG JUSTERINGER

Generelt	80
Veggfester og skinne	80
Montere sagvognen og sagen	80
Kontroller at bladbeskyttelsen er parallell med bladet	80
Montere veggsgkjedetilbehøret	80
Montere diamantkjedet	82
Slik strammes diamantkjedet	82
Montere sprutvern	82
Kople til strømenheten	83
Demontere tilbehøret	83

BETJENING

Verneutstyr	84
Grunnleggende arbeidsteknikk	86
Anbefalt kjedehastighet	88

START OG STOPP

Før start	89
Start	89
Velg driftsmodus.	89
Kalibrering	89
Stopp	89
Demontering av sag	89
Rengjøring	89

VEDLIKEHOLD

Generelt	90
Vedlikeholdsskjema	90
Rengjøring	90
Funksjonell inspeksjon	91

FEILSØKING

Feilsøkings skjema	95
--------------------------	----

TEKNISKE DATA

WSC 40	96
Spesifikasjon for anbefalt skjæreutstyr, kjede	96
Spesifikasjon for anbefalt skjæreutstyr, sverd	96
EF-erklæring om samsvar	97

Kjære kunde

Takk for at du valgte et Husqvarna-produkt.

Vi håper du vil bli fornøyd med maskinen din og at den vil være din følgesvenn i lang tid fremover. Et kjøp av et av våre produkter gir deg tilgang til profesjonell hjelp med reparasjoner og service. Hvis maskinen ikke er kjøpt hos en av våre autoriserte forhandlere så spør dem etter nærmeste serviceverksted.

Denne bruksanvisningen er et verdipapir. Sørg for at den alltid er tilgjengelig på arbeidssstedet. Ved å følge dens innhold (bruk, service, vedlikehold osv.) kan du vesentlig forlenge maskinens levetid og også øke dens brukverdi. Sørg for å overlate bruksanvisningen til den nye eieren hvis du selger maskinen din.

Mer enn 300 år med innovasjon

Husqvarna AB er et svensk foretak basert på en tradisjon som går tilbake til 1689, da svenske kong Karl XI fikk oppført en fabrikk for produksjon av musketter. På det tidspunktet var grunnlaget allerede lagt for konstruksjonsferdighetene bak noen av verdens ledende produkter innen områder som jaktvåpen, sykler, motorsykler, husholdningsapparater, symaskiner og utendørsprodukter.

Husqvarna er verdensledende innen utendørs motoriserte produkter til skogbruk, parkvedlikehold og pleie av plen og hage, samt skjæreutstyr og diamantverktøy til bygg- og steinbransjen.

Eierens ansvar

Det er eierens ansvar å sikre at brukeren har tilstrekkelig kunnskap om sikker bruk av maskinen. Formenn og brukere må ha lest og forstått bruksanvisningen. De må være oppmerksomme på følgende:

- Maskinens sikkerhetsinstruksjoner.
- Maskinens bruksområde og begrensninger.
- Hvordan maskinen brukes og vedlikeholdes.

Bruken av denne maskinen kan være underlagt nasjonale forskrifter. Gjør deg kjent med lovene som gjelder der du arbeider for du begynner å bruke maskinen.

Produsentens reservasjon

Etter at Husqvarna har gitt ut denne håndboken, kan de gi ut ytterligere informasjon om trygg bruk av dette produktet. Eieren er ansvarlig for å holde seg oppdatert på de tryggeste bruksmåtene.

Husqvarna AB arbeider løpende med å videreutvikle sine produkter, og forbeholder seg derfor retten til endringer vedrørende bl.a. form og utseende uten varsel.

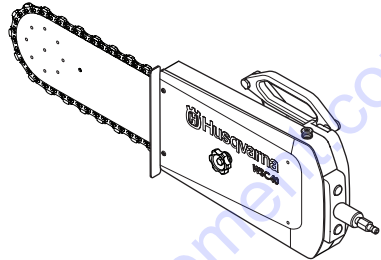
Design og funksjoner

Verdier som høy ytelse, pålitelighet, nyskapende teknologi, avanserte tekniske løsninger og miljøhensyn kjennetegner produktene fra Husqvarna. Brukeren må

lese denne håndboken nøye for å garantere trygg bruk av dette produktet. Kontakt forhandleren eller Husqvarna hvis du trenger mer informasjon.

Noen av de unike egenskapene til ditt produkt er beskrevet nedenfor.

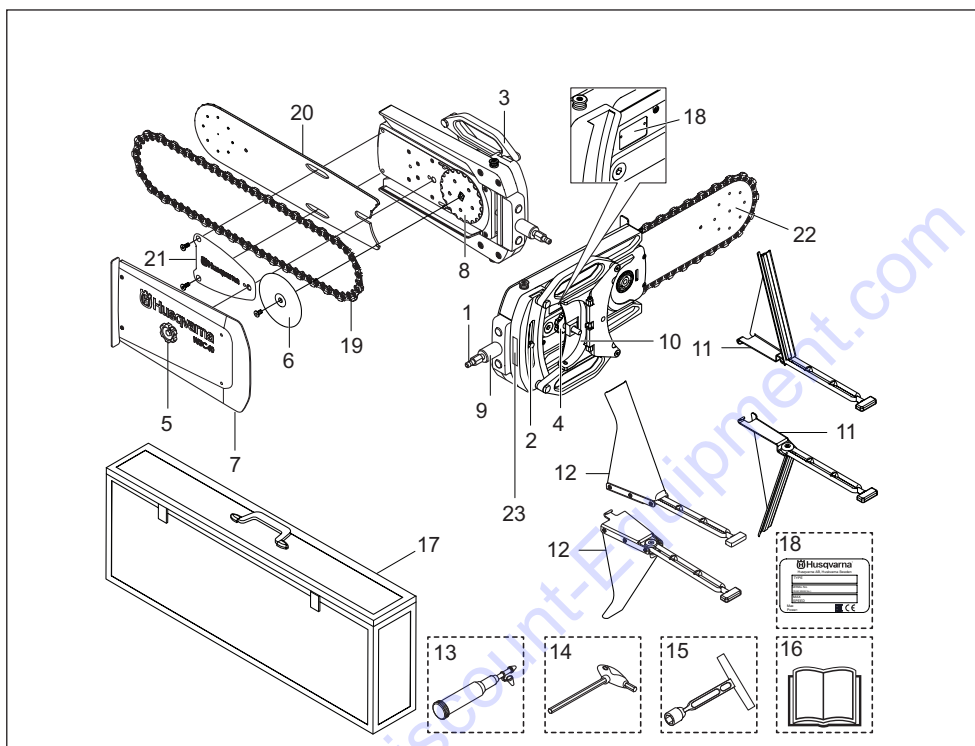
WSC 40



Dette veggsagkjedetilbehøret er en del av et veggsagsystem og fungerer sammen med veggsagene WS 440 og WS 482. Dette veggsagkjedetilbehøret er konstruert for å sage harde materialer som armert betong, mur og stein, og må ikke brukes til noe annet formål enn det som beskrives i denne håndboken. For å bruke denne maskinen trengs en Husqvarna WS 440/WS 482 og en Husqvarna høyfrekvent batteripakke.

- Dette veggsagkjedetilbehøret brukes til å unngå overkapping ved saging av åpninger.
- Maskinen muliggjør saging av mindre åpninger for ventilasjon, rør osv.
- Kjedefastigheten er elektronisk styrt og justeres med fjernkontrollen til strømaggregatet.
- Samme innretning mellom kjede og spor som WS 440 og WS 482 med blad.
- Kjedets rotasjonsretning kan styres med fjernkontrollen, som gjør det mulig å velge vannsprutens retning.
- Konstruksjonen er lett, kompakt og ergonomisk og gjør maskinen lett å transportere.
- Den spesifikke programvaren for WSC 40 er installert i batteripakken og justerer automatisk matemotorens bevegelser for å lage rette innstikk. Sørg for at du har installert den nyeste programvaren i batteripakken.

HVA ER HVA?



Hva er hva på WSC 40?

- | | | | |
|----|------------------------------------|----|----------------------|
| 1 | Slangetilkopling, vann inn | 13 | Fettpresse |
| 2 | Vinkeljusteringsskrue | 14 | Unbrakonøkkel (5 mm) |
| 3 | Parallellhåndtak | 15 | T-pipenøkkel (13 mm) |
| 4 | Låseknapp for klemme | 16 | Bruksanvisning |
| 5 | Låseknott | 17 | Oppbevaringskasse |
| 6 | Klemskive | 18 | Maskinens typeskilt |
| 7 | Transmisjonsdeksel | 19 | Diamantkjede |
| 8 | Kjededrivhjul | 20 | Sverd |
| 9 | Justeringsknapp for kjedestramming | 21 | Klemmeplate |
| 10 | Klemme for vegsaghåndtak | 22 | Nesehjul |
| 11 | Slettsagings skjerm | 23 | Advarselsetikett |
| 12 | Sprutbeskyttelse | | |

MASKINENS SIKKERHETSUTSTYR

Generelt

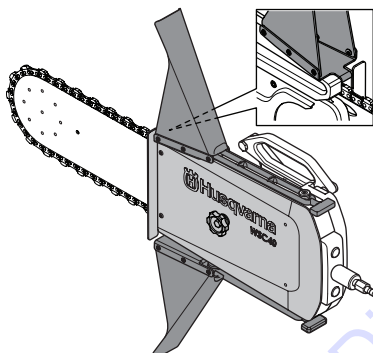
I dette avsnittet forklares hvilket sikkerhetsutstyr maskinen er utstyrt med, hvilken funksjon det har og hvordan man utfører kontroll og vedlikehold for å være sikker på at utstyret fungerer. Se kapitlet Hva er hva? for å se hvor disse delene er plassert på din maskin.



ADVARSEL! Bruk aldri en maskin med defekte sikkerhetsdetaljer. Sikkerhetsutstyret skal kontrolleres og vedlikeholdes. Hvis sikkerhetsutstyret eller noen av maskindelene er skadet på noen måte, må du ta det med til et serviceverksted for reparasjon.

Dekslet og sprutvern

Dekslet og sprutvernet må alltid brukes under saging.



Dekslet og sprutvernet gir beskyttelse mot kontakt med bevegelige deler, rusk som støtes ut, vannsprut og betongslam. Sprutvernet er også utformet for å fange diamantkjedet hvis det ryker eller hopper av.

Vi anbefaler at begge sprutvernene er montert, men på enkelte bruksmåter (saging på linje med gulv eller tak) kan en av sprutverninnretningene fjernes midlertidig. Som minimum må sprutvernet i sprutretningen være montert. Sett det fjernede sprutvernet på plass igjen etter saging.

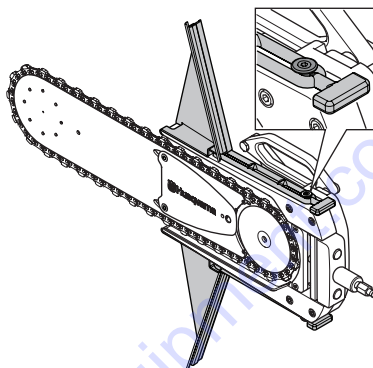
Sjekk dekslet og sprutvernet.

Kontroller at det ikke er sprekker eller hull fra slam som kastet mot dekslet og sprutvernet.

Skift ut deksel eller vern hvis det er skadet.

Verneinnretninger for slettsaging

Denne maskinen kan brukes til slettsaging. For slettsaging brukes spesialdesignet sprutvern. Disse verneinnretningene er bare tillatt for slettsaging.



Kontroller verneinnretningene for skader eller slitasje. Sørg for at det ikke finnes skader på verneinnretningene. Skift ut verneinnretninger som er skadet.

Strømforsyning

Kontroller sikkerhetsutstyret på den medfølgende batteripakken. Se bruksanvisningen for batteripakken.

Se også sikkerhetsanvisningene og instruksjonene om bruk i bruksanvisningene for veggsagen og batteripakken som skal brukes.

DIAMANTKEDJER

Generelt



ADVARSEL! Hvis kjedet ryker kan det føre til alvorlig skade hvis kjedet kastes mot brukeren. Feil skjæreutstyr eller feil sverd/sagkjedekombinasjon øker risikoen for kast! Bruk bare de sverd/sagkjedekombinasjonene vi anbefaler.

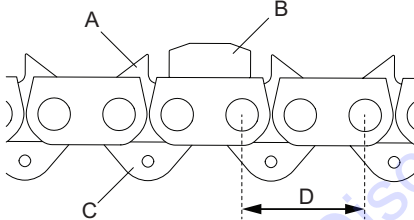


ADVARSEL! Koble alltid fra sagens strømkabel før installasjon, rengjøring og vedlikehold. Uforsiktighet kan føre til alvorlig personskade eller dødsfall.



ADVARSEL! Bruk hansker ved all håndtering av kjedet.

- A) Drivledd med støtdemper
- B) Skjæreledd med diamantsegment
- C) Kjedeføring



Diamantkjededeling: $Kjededeling=D/2$

Dette utstyret må bare brukes med kjeder med doble støtdempere siden maskinen kan brukes med doble rotasjonsretninger.

Når du bruker et kjede med doble støtdempere, kan kjedet monteres begge veier.

Kontroller kjedet

- Kontroller at kjedet ikke har tegn til skader i form av slakke leddforbindelser, brutte ryttere eller drivledd eller brutte segmenter. Skift diamantkjedet hvis det er skadet.
- Hvis kjedet har vært utsatt for kraftig fastklemming eller annen unormal overbelastning, bør kjedet demonteres fra sverdet for grundig inspeksjon.

Kontroller sagen

Sagen er utstyrt med en rekke sikkerhetsdetaljer som beskytter føreren ved et kjedebrudd. Disse sikkerhetsdetaljene må kontrolleres før arbeidet begynner. Kjør aldri sagen med følgende skadde eller manglende deler:

- Transmisjonsdeksel
- Skadd kjede
- Skadet eller manglende sprutvern

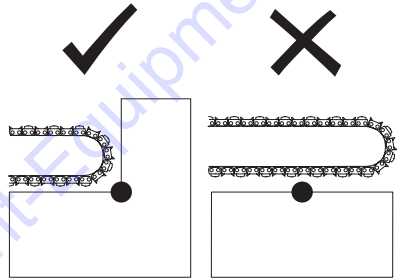
Materiale



ADVARSEL! Diamantkjedesagen må ikke under noen omstendigheter konverteres for å kutte andre materialer enn det den er beregnet på. Den må aldri utstyres med et sagkjede for tømmer/tre.

Denne maskinen er konstruert og ment for saging i betong, murstein og ulike steinmaterialer. Maskinen skal ikke brukes på andre måter.

Sagen må aldri brukes til kapping av rene metaller. Dette fører sannsynligvis til brutte segmenter eller til kjedebrudd. Diamantsegmentene tåler kapping i armert betong. Forsøk å kappe armeringen sammen med så mye betong som mulig, det skåner kjedet.



Eloksering

Etter saging i svært hard betong eller stein kan diamantsegmentet miste skjærekapasiteten delvis eller helt. Dette kan også skje hvis du er nødt til å sage med et lavt partialtrykk (diamantkjedet går mot arbeidsstykket langs hele lengden av sverdet). Løsningen på problemet er å endre rotasjonsretningen for kjedet.

Transport og oppbevaring

- Når arbeidet er ferdig må diamantkjedesagen kjøres med vanntrykk i minst 15 sekunder for å rengjøre sverd, kjede og drivmekanisme. Skyll maskinen med vann. Hvis maskinen ikke skal brukes på en stund anbefaler vi å smøre kjedet og sverdet for å hindre rust.
- Inspiser alt skjæreutstyr med tanke på skade etter transport og lagring.

MONTERING OG JUSTERINGER

Generelt



ADVARSEL! Koble alltid fra sagens strømkabel før installasjon, rengjøring og vedlikehold. Uforsiktighet kan føre til alvorlig personskade eller dødsfall.

Veggfester og skinne

Monter systemet i henhold til bruksanvisningen for veggsgagen som skal brukes.

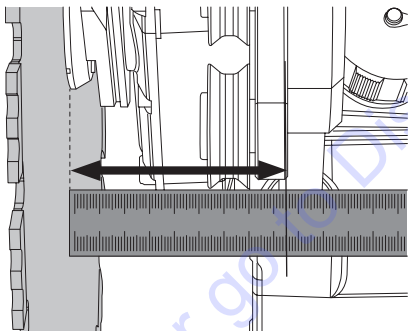
Montere sagvognen og saken

Monter systemet i henhold til bruksanvisningen for veggsgagen som skal brukes.

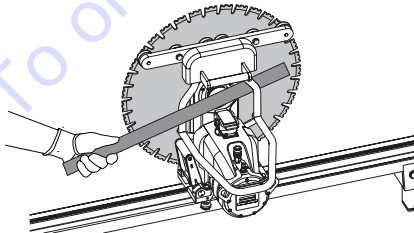
Kontroller at bladbeskyttelsen er parallell med bladet

For justering av WSC 40 til skjær, må du forsikre deg om at ingen deformering har oppstått på håndtaket på motorsagen.

- 1 Monter bladbeskyttelsesføringen på føringen og mål mellom hvert av endehjulene og bladet. Avstanden mellom utsiden av hjulføringen og bladet skal være ca. 102 +/- 2 mm.



- 2 Hvis differansen er større enn 2 mm, må du fjerne føringen og justere rammen med en jernstang for å få føringen parallell med bladet.



Montere veggsagkjedetilbehøret

VIGTIG! Oppbevar alltid maskinen i den tilhørende boksen når den ikke er i bruk.



ADVARSEL! Beskytt hendene med hansker.



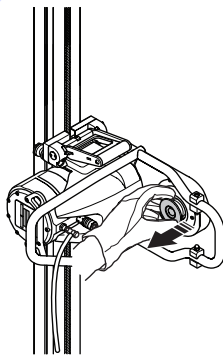
ADVARSEL! For å kunne forhindre uforutsette hendelser bør bare én person utføre monteringsprosedyren for maskinen.



ADVARSEL! Fare for klemskade! Hold maskinen støtt.

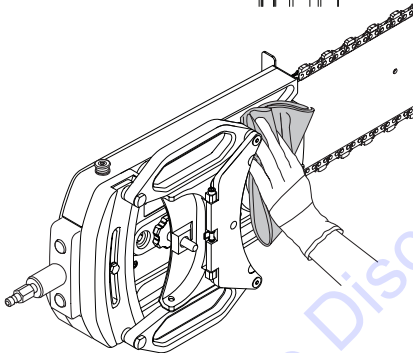
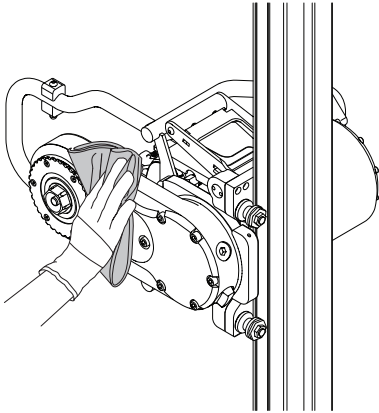
VIGTIG! Pass på at gulvet er rent og ryddig under monteringen. Pass på at ingen gjenstander er i veien.

- 1 Fjern bladet og bladflensen i henhold til bruksanvisningen for veggsgagen som skal brukes.
- 2 Pass på at spindelnavet er i ytre stilling. Det er ikke mulig å feste WSC 40 hvis den sekskantede akselen er i indre posisjon.

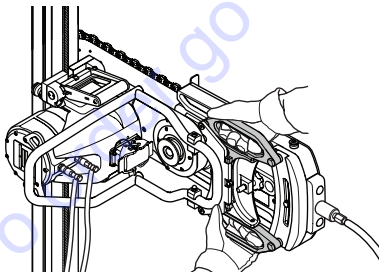


MONTERING OG JUSTERINGER

- 3 Kontroller at overflatene på maskinen og på saghodet er rene.

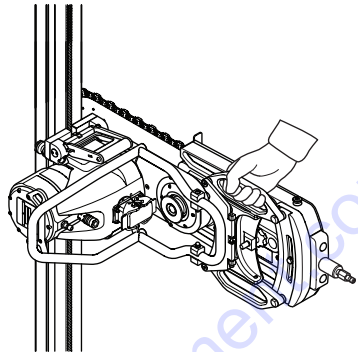


- 4 Bruk begge hender til å løfte opp maskinen i det parallelle håndtaket fra oppbevaringsesken.

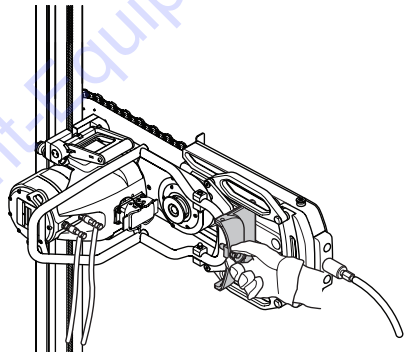


- 5 Skyv WSC 40 på veggsagarmen. Trykk på den sekskantede akselen mens du flytter enheten forsiktig rundt midten for å rette inn akselen. Akselen skal nå være i sin mellomliggende låste stilling. Kontroller

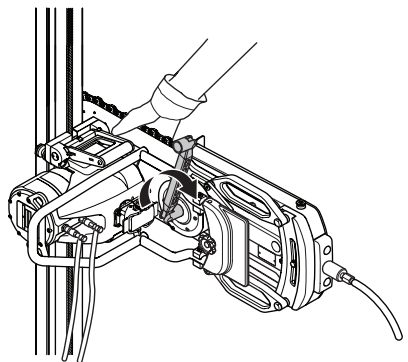
dette ved å trekke i veggsagkjedetilbehøret. Pass på at maskinen er låst på sagarmen.



- 6 Vipp over klemmen som låser tilbehøret på håndtaket. Trekk til låsehåndtaket.

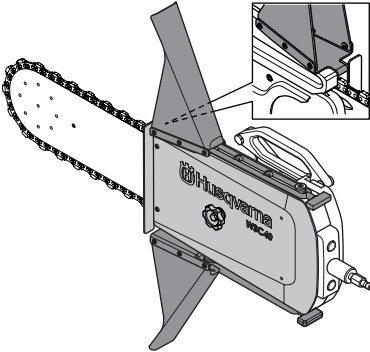


- 7 Trekk til maskinen til saghodet med bolten i spindelnavet. Legg én hånd på kjedet for motstand. Ikke glem å bruke hansker. Bruk 18 mm nøkkelen som finnes i verktøykassen. Bruk et tiltrekkingsmoment på 70–80 Nm.

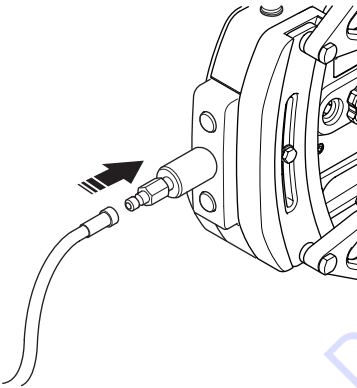


MONTERING OG JUSTERINGER

8 Monter sprutvern.



9 Koble til vannslangen.



ADVARSEL! Kontroller at monteringen er korrekt før du kobler til strømkabelen.

Montere diamantkjedet



ADVARSEL! Verktøyet og verneinnretningene må aldri monteres eller demonteres uten at strømkabelen til sagenheten er trukket ut. Uforsiktighet kan føre til alvorlig personskade eller dødsfall.



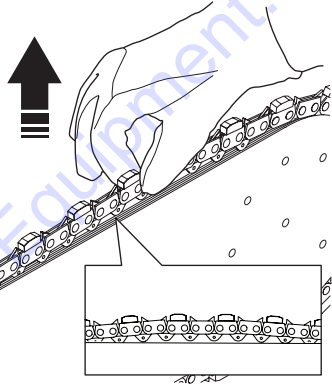
ADVARSEL! Vær nøye når du monterer veggsgakjedetilbehøret, slik at det ikke løsner ved saging. Uforsiktighet kan føre til alvorlig personskade eller dødsfall.

Slik strammes diamantkjedet

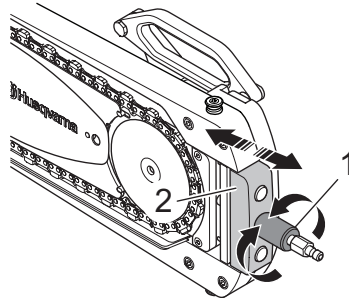


ADVARSEL! Et for slakt diamantkjede kan føre til at kjedet hopper av og forårsaker alvorlige eller til og med livstruende skader.

Riktig diamantkjedestrømning på denne maskinen er forskjellig fra andre motorsager. Når kjedet er perfekt strammet, ligger det tett inntil sverdet og i en perfekt sirkel rundt det. Etter strømmingen skal det fortsatt være mulig å løfte opp kjedet slik at kjedeføringen er parallell med sverdet, og det skal være lett å bevege kjedet.



Løse skruen til klemskiven fra baksiden med en 13 mm T-nøkkel. Bruk justeringsknappen for å stramme kjedet.



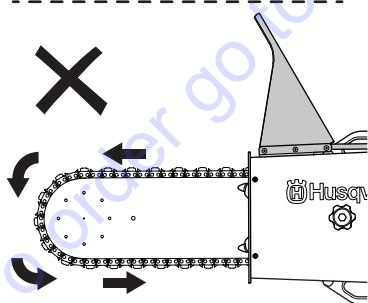
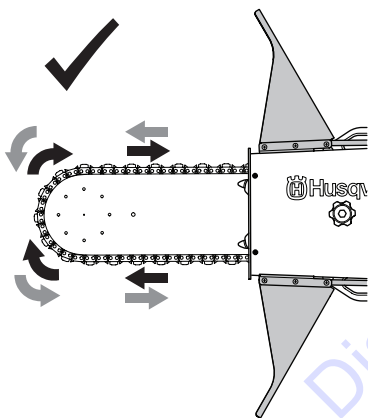
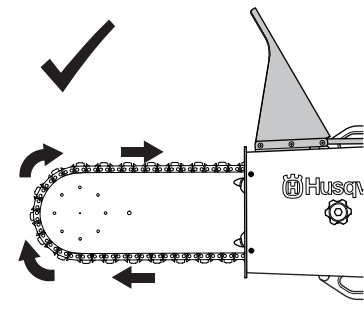
Montere sprutvern

Sprutvern for skjæretutstyret skal monteres på sidene av maskinen med gummistopper. Flygende spon og gnister fra materialet som skal kappes, samles da opp av sprutvernet og ledes bort fra brukeren.

Fordi diamantkjedets rotasjonsretning kan endres, kan vannspruten fra kjedet også endres uavhengig av hvilken vei sagen står på skinnen.

MONTERING OG JUSTERINGER

Både når sagen brukes til slettsaging eller normal saging, skal sprutvernet montert i kjedets rotasjonsretning.



Kople til strømenheten



ADVARSEL! Dette produktet er kun ment for bruk sammen med batteripakkene i Husqvarna PP 400-serien. Ingen annen bruk er tillatt.

Les gjennom bruksanvisningen som medfølger apparatet før du begynner å bruke maskinen.

Maksimal effekt på enheten er 9,2 kW, og derfor vises 16 A-modus når du bruker WSC 40 med PP 480 og PP 490. Dette stilles automatisk inn når kjedemodus velges i fjernkontrollen. Kontroller at batteripakken er oppdatert med den nyeste programvaren.

Demontere tilbehøret



ADVARSEL! Koble alltid fra sagens strømkabel før installasjon, demontering rengjøring og vedlikehold. Uforsiktighet kan føre til alvorlig personskade eller dødsfall.

- 1 Koble fra den inngående strømkabelen og vannslangen.
- 2 Fjern sprutvernene.
- 3 Plasser en hånd på kjedet for å forhindre at det beveger seg, og løsne bolten i spindelnavet med en 18 mm skrunøkkel. Skru ut bolten og kontroller at spindelnavet er i mellomstilling.
- 4 Ta et fast grep rundt vanntilkoblingen på WSC 40. Skru ut låsekappen på låseklemmen. Vipp låseklemmen over for å sikre de parallelle håndtakene.
- 5 Ta et fast grep i det parallelle håndtaket med den ledige hånden. Trekk ut spindelnavet på veggsgarmen til den ytre stillingen. Fjern maskinen.
- 6 Oppbevar alltid maskinen i den tilhørende boksen når den ikke er i bruk.

Verneutstyr

Generelt

Bruk aldri maskinen uten mulighet til å kunne påkalle hjelp ved en ulykke.

Personlig verneutstyr

Ved all bruk av maskinen skal det brukes godkjent personlig verneutstyr. Personlig verneutstyr eliminerer ikke skaderisikoen, men det reduserer virkningen av en skade hvis ulykken skulle være ute. Be forhandleren om hjelp ved valg av utstyr.



ADVARSEL! Bruk av produkter som skjærer, sliper, borer, finsliper eller former materialer kan generere støv og damp som kan inneholde skadelige kjemikalier. Ta rede på beskaffenheten til det materialet du arbeider med og bruk egnet åndedrettsvern.

Langvarig eksponering overfor støv kan gi varige hørselsskader. Bruk derfor alltid godkjent hørselsvern. Vær alltid oppmerksom på varselsignaler eller tilrop ved bruk av hørselsvern. Ta alltid av hørselsvernet så snart motoren er stanset.

Der er alltid en klemmerisiko ved arbeid med produkter med bevegelige deler. Bruk vernehansker for å unngå kroppsskader.

Bruk alltid:

- Godkjent vernehjelm
- Hørselsvern
- Godkjent øyevern. Ved bruk av visir skal det også brukes godkjente vernebriller. Godkjente vernebriller er slike som tilfredsstill standard ANSI Z87.1 for USA eller EN 166 for EU-land. Visir skal tilfredsstill standard EN 1731.
- Pustemaske
- Kraftige gripesikre hansker.
- Ettersittende, kraftige og komfortable klær som tillater full bevegelsesfrihet. Ikke ha på shorts
- Støvler med ståttupp og sklisikker såle.
- Vær oppmerksom på at klær, langt hår og smykker kan sette seg fast i bevegelige deler.

Annet verneutstyr



ADVARSEL! Det kan oppstå gnister som fører til brann når du arbeider med maskinen. Ha alltid utstyr til brannslukking tilgjengelig.

- Brannslukningsapparat
- Førstehjelpsett

Generelle sikkerhetsinstruksjoner



ADVARSEL! Les alle sikkerhetsadvarslere og instruksjoner. Hvis du ikke følger advarslene og instruksjonene, kan det føre til elektrisk støt, brann og/eller alvorlig personskade.

Dette avsnittet beskriver grunnleggende sikkerhetsanvisninger for bruk av maskinen. Denne informasjonen kan aldri erstatte den kunnskap en profesjonell bruker besitter i form av opplæring og praktisk erfaring. Når du kommer ut for en situasjon som gjør deg usikker på fortsatt bruk, skal du rådføre deg med en ekspert. Kontakt forhandleren, serviceverkstedet eller en erfaren bruker. Unngå all bruk som du ikke føler deg tilstrekkelig kvalifisert til!

- Les nøye gjennom bruksanvisningen og forstå innholdet før du bruker maskinen.
- Les gjennom bruksanvisningen som medfølger apparatet før du begynner å bruke maskinen.
- Denne maskinen er kun ment for bruk sammen med Husqvarna WS 440 /WS 482. All annen bruk er forbudt.
- Maskinen kan forårsake alvorlig personskade. Les sikkerhetsinstruksjonene nøye. Lær deg hvordan du skal bruke maskinen.
- Husk at brukeren er ansvarlig for ulykker eller farer som rammer andre mennesker eller deres eiendom.
- Alle operatører skal læres opp i bruk av utstyret. Eieren er ansvarlig for at operatørene får opplæring.
- Maskinen må holdes ren. Skilter og merker må være fullt lesbare.
- Ta vare på alle advarslere og instruksjoner for fremtidig bruk.



ADVARSEL! Hvis maskinen brukes uforsiktig eller feilaktig, kan den være et farlig redskap som kan forårsake alvorlige skader eller dødsfall for brukeren eller andre.

La aldri barn eller andre personer som ikke har opplæring i bruk av maskinen bruke eller vedlikeholde den.

La aldri noen annen bruke maskinen for du har forsikret deg om at de har forstått innholdet i bruksanvisningen.

BETJENING



ADVARSEL! Uautoriserte endringer og/eller tilleggsutstyr kan medføre alvorlige skader eller dødsfall for brukeren eller andre.

Modifiser aldri denne maskinen slik at den ikke lenger stemmer overens med originalutførelsen, og bruk den ikke hvis den synes å ha blitt modifisert av andre.

Bruk aldri maskinen, batteriet eller batteriladeren hvis det er feil på dem. Følg vedlikeholds-, kontroll- og serviceinstruksjonene i denne bruksanvisningen. Noen vedlikeholds- og servicetiltak må utføres av erfarne og kvalifiserte spesialister. Se anvisninger under overskriften Vedlikehold.

Bruk kun originaldeler.

Bruk alltid sunn fornuft

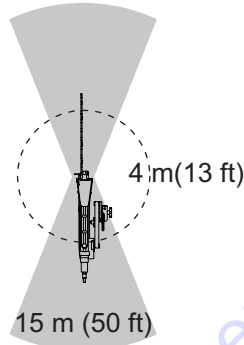
Det er umulig å dekke alle tenkelige situasjoner som kan forekomme. Vær alltid forsiktig og bruk sunn fornuft.

Når du kommer ut for en situasjon som gjør deg usikker på fortsatt bruk, skal du rådføre deg med en ekspert. Kontakt forhandleren, serviceverkstedet eller en erfaren bruker. Unngå all bruk som du ikke føler deg tilstrekkelig kvalifisert til!

Sikkerhet i arbeidsområdet

- Kontroller alltid baksiden av veggen der sverdet og diamantkjedet kommer ut når du kapper gjennom. Sikre, spill av og forsikre deg om at ingen personer eller materiell kan bli skadet.
- Kontroller alltid og merk av hvor gassledninger er trukket. Det representerer alltid fare å sage nær gassledninger. Påse at det ikke oppstår gnister ved saging, da det er en viss eksplosjonsrisiko. Vær konsentrert og fokusert på arbeidsoppgaven. Uforsiktighet kan føre til alvorlig personskade eller dødsfall.
- Forsikre deg om at det ikke går rør eller elektriske kabler i arbeidsområdet eller materialet som skal kappes.
- Kontroller at det ikke finnes strømførende elektriske kabler innenfor arbeidsområdet.
- Sørg for at ikke uvedkommende oppholder seg i arbeidsområdet, da det ellers er fare for alvorlige personskader. Sikkerhetsavstanden er 15 meter (50 ft).
- Unngå bruk i dårlig vær. Slik som tett tåke, kraftig regn, sterk vind, kraftig kulde osv.
- Å arbeide i dårlig vær er slitsomt og kan skape farlige omstendigheter, for eksempel glatt underlag.
- Forviss deg om at arbeidsområdet er tilstrekkelig opplyst til å skape et sikkert arbeidsmiljø.
- Pass alltid på at du har en sikker og stødig arbeidsstilling.

Maskinens risikoområde



ADVARSEL! Sørg for at ikke uvedkommende oppholder seg i arbeidsområdet, da det ellers er fare for alvorlige personskader. Sikkerhetsavstanden er 15 meter (50 ft).



ADVARSEL! Minimum sikkerhetsmargin for brukeren til bevegelige deler under drift er 4 meter. Brukeren må alltid stå i en skrå vinkel bak en sag som er i bruk, for å unngå risiko for å bli truffet av gjenstander fra materialet. Vær ekstra forsiktig ved oppstart når sagen trenger inn i materialet.

VIGTIG! Ingen personer som ikke er utstyrt med verneutstyret over skal bevege seg innenfor risikoområdet der materialer kan bli kastet rundt.

Elektrisk sikkerhet

Se avsnittet om elektrisk sikkerheten i brukerhåndbøkene for veggsagen og batteripakken som brukes.



ADVARSEL! Ikke bruk høytrykksspyler på maskinen. Vann kan komme inn i det elektriske systemet eller motoren og skade eller kortslutte maskinen.

Personlig sikkerhet

- Forlat aldri maskinen uten tilsyn med motoren i gang.
- Bruk aldri sagen på en slik måte at du ikke har lett tilgang til nødstopknappen på fjernkontrollen eller strømaggregatet. Se bruksanvisningen for strømaggregatet.
- Sørg for at det alltid er en annen person tilgjengelig når du bruker maskinene, slik at du kan tilkalle hjelp hvis en ulykke skulle inntreffe.

BETJENING

- Personer som har behov for å oppholde seg i nærheten av maskinen, må bruke påkrevd verneutstyr, herunder hørselsvern, da lydnivået overskrider 85 dB(A) under saging.
- Vær forsiktig ved løfting. Du håndterer tunge deler, hvilket innebærer klemrisiko og risiko for annen skade.
- Mennesker og dyr kan distrahere deg slik at du mister kontrollen over maskinen. Vær derfor alltid konsentrert og fokusert på arbeidsoppgaven.
- Vær oppmerksom på at klær, langt hår og smykker kan sette seg fast i bevegelige deler.
- **Fjern eventuelle justeringsnøkler før du slår på el-verktøyet.** En nøkkel som sitter på en roterende del av el-verktøyet kan føre til personskade.
- Forlat aldri maskinen uten tilsyn med motoren i gang.
- Fare for knuseskader. Hvis maskinen er feil montert, kan den falle ned og skade brukeren.
- Vær forsiktig ved løfting. Du håndterer tunge deler, hvilket innebærer klemrisiko og risiko for annen skade.

Bruk og vedlikehold

- Verktøy eller verneinnretninger må aldri monteres eller demonteres uten at strømkabelen til sagemaskinen er trukket ut.
- Trekk aldri ut strømkabelen uten først å slå av strømmenheten og vente til motoren har stoppet helt.
- Kapp aldri uten å bruke korrekte verneinnretninger.
- Kontroller at kjedet ikke berører noe når maskinen startes.
- Minimum sikkerhetsmargin for brukeren til bevegelige deler under drift er 4 meter. Brukeren må alltid stå i en skrå vinkel bak en sag som er i bruk, for å unngå risiko for å bli truffet av gjenstander fra materialet.
- Vannkjøling skal alltid brukes. Dette kjøler kjedet og sverdet slik at levetiden øker, og forhindrer støvansamlinger.
- Kontroller at alle koplinger, kontakter og kabler er intakte og rene.
- Før saging skal alle de snitt som skal gjøres markeres tydelig og planlegges slik at de kan utføres uten skade for person eller maskin.
- Betongblokker må forankres eller sikres godt før saging. Skjærematerialets høye vekt kan forårsake alvorlig skade på maskinen eller personskader hvis det ikke flyttes under kontrollerte betingelser.

Transport og oppbevaring

- Trekk alltid ut strømkabelen før du flytter utstyret.
- Demonter bladet og bladbeskytteren før transport og lagring.
- Oppbevar utstyret i et låsbart rom slik at det er utilgjengelig for barn og uvedkommende.

- Hvis det er fare for frost må maskinen tømmes for eventuelt kjølevann.
- Bruk de medfølgende oppbevaringsetuiene til å lagre utstyret.

Grunnleggende arbeidsteknikk



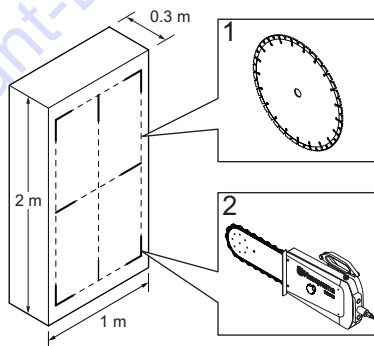
ADVARSEL! Arbeidsteknikk for WSC 40 gjelder bare for dette produktet. Bruk aldri disse arbeidsteknikkene for annet utstyr.



ADVARSEL! Bruk alltid et blad med segmenter som er bredere enn segmentene på kjedet. Dette er svært viktig hvis en håndholdt maskin skal brukes for å avslutte sagingen. Hvis du bruker en skinnestyr maskin som WSC 40, trenger du ikke ta hensyn til dette.

Start kapping med veggsagen med blad (1) som vist i illustrasjonen. Bruk deretter veggsagkjedetilbehøret (2) som vist i illustrasjonen.

Kappingen utføres som vist i illustrasjonen:



Mat bladet 3–7 cm. Gjør et innledende snitt for å få et rett kutt og et grunnlag for neste snitt. Vær forsiktig når du gjør dette. Med denne skjærearmen kan du bruke blader på opptil 1000 mm som startblad. Vi anbefales imidlertid at du begynner skjæringen med et blad på 800 mm.

- Når styresnittet er ferdig, må det sages et dypere snitt. Dybden på dette avgjøres fra gang til gang og avhenger av faktorer som betongens hardhet, forekomsten av armeringsjern etc.
- Hvis du skifter blad for å skjære dypere i samme skjær, må du forsikre deg om at tykkelsen på bladet stemmer med bredden på skæresporet.
- La maskinen arbeide uten å tvinge eller presse inn skiven.

Når du er ferdig med skjæringen med bladet, kan du skifte ut bladet med veggsagkjedetilbehøret og skjære resten av materialet for å få skarpe hjørner.

BETJENING

Hvis du skjærer i kraftig armert betong eller harde tilslag, bør du begynne skjæringen A minus 50 mm fra hjørnet. Se tabellen i avsnittet Overkapping for A-mål.

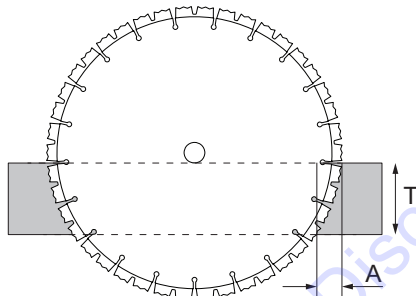
OBS! Endre innstillingen i fjernkontrollen til kjedemodus når du bruker veggsagkjedetilbehøret.

Mat veggsagkjedetilbehøret innover i veggen og skjær med nesehjulet. Programvaren vil automatisk justere langsgående mating for å gjøre kappingen med nesehjulet. Kontroller at det er nok plass til sagvognen til endestoppet på skinnen når kapping starter (velg riktig rotasjonsretning for armrotasjonen).

OBS! Pass på at kjedemodus er valgt på fjernkontrollen. Hvis ikke, vil verktøyet utsettes for svært stor slitasje.

Overkapping

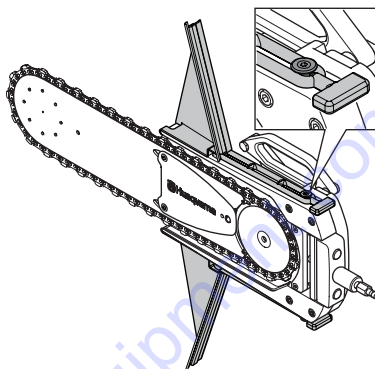
Overkappingsslengden avhenger av tykkelsen på veggen og hvilket blad som brukes.



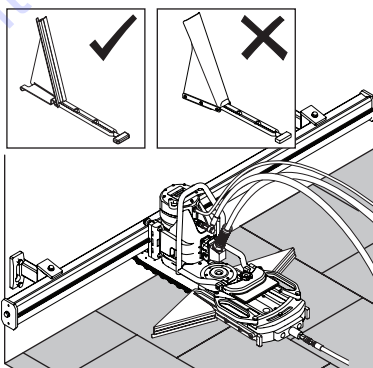
Bladstørrelse	800 mm/32"	1000 mm/40"
T (mm/inch)	A (overkapping mm/tommer)	
200/8	100/4	80/3
250/10	160/6	120/5
300/12	250/10	160/6
350/14	-	230/9
400/16	-	335/13

Slettsaging

Fjern sprutvernene for normal saging og transmisjonsdekslet. Skift ut sprutvernene med beskyttelsen for slettsaging.



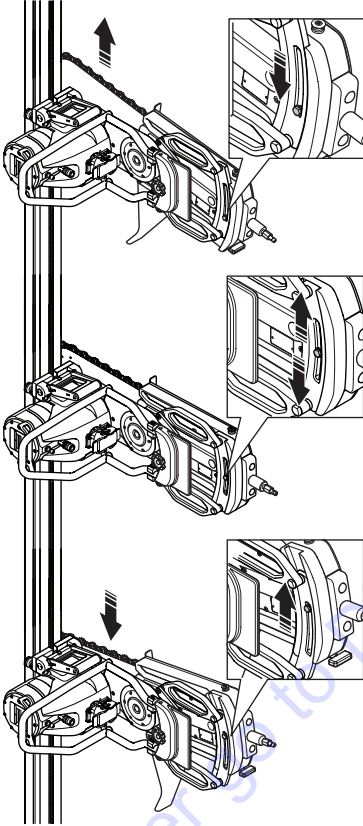
Vi anbefaler at **begge** slettsagingsvernene er montert, men på enkelte bruksmåter (saging på linje med gulv eller tak) kan en av verneinnretningen fjernes midlertidig. Som minimum må beskyttelsen i sprutretningen være montert. Skift ut beskyttelse etter kappingen.



Vinkeljustering

Vinkeljustering brukes for å få et perfekt kutt i vinkler nær taket, veggen eller gulvet. Juster vinkelen til den maksimale stillingen. Retningen er avhengig av snittet.

Løsne skruen og juster vinkelen.



ADVARSEL! Stram alltid skruen med et tiltrekkingsmoment på 20 Nm.

Anbefalt kjedehastighet

For best skjærekapasitet bør du bruke full hastighet på 28 m/s i myk og middels hard betong.

Hvis WS 482 brukes, må du sørge for at mekanisk gir 2 kobles inn for å få korrekt visning av kjedehastighet.

OBS! Skjæring i for lav hastighet kan føre til skade på kjedet og sverdet. Kontroller at riktig mekanisk gir er valgt! Bruk lavere kjedehastighet ved skjæring i hard betong enn i myk betong.

START OG STOPP

Før start

- Sperr av området som skal sages slik at uvedkommende ikke kan komme til skade eller forstyrre operatøren.
- Kontroller at bladet og bladvernet ikke er skadet eller sprukket. Skift bladet eller bladvernet hvis det blir utsatt for stot eller er sprukket.
- Kontroller at kjedet, sverdet og kjedekassen ikke er skadet eller har sprekker. Skift ut hvis de har blitt utsatt for slag eller har sprekker.
- Kontroller at alle kabler og vannforsyningen er koplet riktig til maskinen før du starter den.

Start

Følg instruksjonene for oppstart i bruksanvisningen som medfølger strømenheten.

OBS! Kontroller at riktig driftsmodus for WSC40 er valgt i fjernkontrollen. Ellers blir det for stor slitasje på kjedet og sverdet.

VIGTIG! Kontroller at du har installert den nyeste programvaren i batteripakken og fjernkontrollen. Du kan få den nyeste programvaren hos Husqvarnas servicesenter.

Velg mekanisk gir 2 hvis du bruker en WS 482-veggsag.

Velg driftsmodus.

Driftsmodus endres i fjernkontrollen som følger med veggsagutstyret. Skift verktøy mellom bladet og veggsagkjedetilbehør ved å trykke på pilknappene opp og ned.

Batteripakken kan vise flere alternativer. Kontroller at du har valgt riktig modus for verktøyet som brukes.

Hvis feil driftsmodus er valgt, kan dette gi for mye slitasje på verktøyene.

Kalibrering

Hvis veggsagkjedetilbehøret ikke kapper i en rett linje i veggen, kan det være du må kalibrere posisjonssensorene på nytt.

- 1 Bruk armrotasjonen til å bevege sagen til den i ytre stillingen. De to håndtakene må være helt parallelle.
- 2 Trykk på menu (meny), velg calibrate arm position (kalibrer armposisjon) og trykk på OK. Posisjonen er nå kalibrert.

Se bruksanvisningen for Husqvarna-batteripakken for mer informasjon.

Stopp

- Når sagingen er fullført, trekker du ut WSC 40-sverdet fra veggen og slår av bladrotasjonen og vannstrømmen.
- Slå av strømenheten.

Demontering av sag

- 1 La motoren stanse helt.
- 2 Kople fra strømforsyningen til strømaggregatet.
- 3 Slå av og kople fra vannforsyningen til strømenheten.
- 4 Kople strømkabelen og vannslangen fra sagenheten.
- 5 Øvrige momenter gjentas i omvendt rekkefølge av monteringen.

Rengjøring

Etter avsluttet saging skal sagen gjøres ren. Det er viktig at hele sageutstyret rengjøres.

VIGTIG! Unngå å rengjøre sagen med høytrykksspyler.

Transport og oppbevaring

Slå alltid av strømmen og trekk ut strømkabelen før du flytter utstyret.

Demonter sprutvernene før transport og lagring.

Oppbevar utstyret i et låsbart rom slik at det er utilgjengelig for barn og uvedkommende.

Hvis det er fare for frost må maskinen tømmes for vann.

Bruk de medfølgende oppbevaringsetuene til å lagre utstyret.

VEDLIKEHOLD

Generelt



ADVARSEL! Brukeren må kun utføre det vedlikeholds- og servicearbeidet som beskrives i denne bruksanvisningen. Mer omfattende inngrep skal utføres av et autorisert serviceverksted.

Inspeksjon og/eller vedlikehold må utføres mens motoren er slått av og støpselet er trukket ut.

Bruk personlig verneutstyr. Se anvisninger under overskriften "Personlig verneutstyr".

Maskinens levetid kan forkortes og risikoen for ulykker kan øke dersom vedlikehold av maskinen ikke utføres på riktig måte og dersom service og/eller reparasjoner ikke er fagmessig utført. Kontakt nærmeste serviceverksted dersom du trenger ytterligere opplysninger.

La Husqvarna-forhandleren regelmessig kontrollere maskinen og utføre nødvendige innstillinger og reparasjoner. Utfør alltid vedlikehold og service i ryddige omgivelser uten rusk på gulvet.

Vedlikeholdsskjema

I vedlikeholdsskjemaet kan du se hvilke deler av maskinen som krever vedlikehold, og hvor ofte dette skal finne sted. Intervallene er beregnet ut fra daglig bruk av maskinen, og kan variere avhengig av bruksmengden.

	Daglig ettersyn	For hver kvadratmeter saging
Rengjøring	Utvendig rengjøring	
Smøring	Spray kjedet og sverdet med olje.	Smør sverdet med 2–3 omganger i smørestedet
	Smør sverdet. Fyll på i smørestedet til sverdet er fylt med fett.	
Funksjonell inspeksjon	Generell inspeksjon	
	Vannsystem	
	Deksel og sprutvern	
	Sverd og diamantkjede og drivhjul	

Rengjøring

Utvendig rengjøring

Veggsagkjedetilbehøret skal rengjøres så snart kappingen er ferdig. Bruk rengjøringsbørsten som følger med veggsagen, og koble den til vannslangen. Rengjør alle komponenter i systemet.



ADVARSEL! Bruk ikke høytrykksspylere til å rengjøre maskinen.

VEDLIKEHOLD

Funksjonell inspeksjon

Generell inspeksjon



ADVARSEL! Bruk aldri skadde kabler. De kan forårsake alvorlig eller dødelig personskade.

- Kontroller at skruer og mutre er trukket til.
- Kontroller at alle overflater er rene.
- Kontroller deksel og sprutvern for skader og slitasje.
- Kontroller drivhjul med henblikk på slitasje.
- Kontroller kjedet og sverdet for skader og slitasje.
- Kontroller kjedestramningen.
- Kontroller kjedestrammingfunksjonen.
- Kontroller slitasjenivået på kjededrivhjul regelmessig. Skift det hvis det er unormalt slitt.

Demontering før kontroll

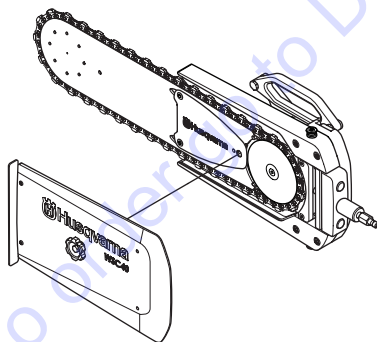


ADVARSEL! Koble alltid fra sagens strømkabel før installasjon, demontering rengjøring og vedlikehold.

- 1 Koble fra vannslangene fra sagenheten, og heng disse på den tilordnede plassen på transportvognen.

Koble vannslangene fra sagenheten, og heng dem på den tilhørende plassen på transportvognen eller boksen.

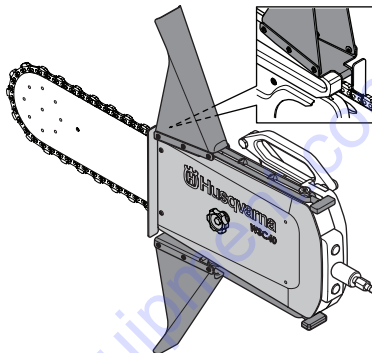
- 2 Fjern sprutvernene.
- 3 Skru løs håndtakbolten og fjern dekselet.



Deksel og sprutvern

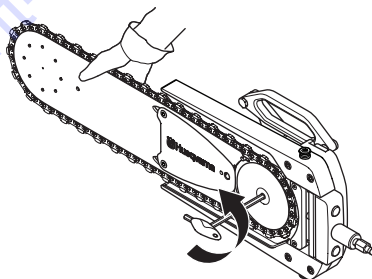
Sjekk dekslet og sprutvernet.

Kontroller at det ikke er sprekker eller hull fra slamsprut i transmisjonsdekselet og sprutvernet. Skift ut dekselet eller vernet hvis det er skadet.

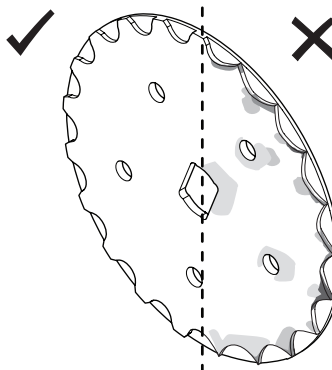


Kjededrivhjul

- 1 Hold kjedet med én hånd og skru ut skruen med den medfølgende unbrakonøkkelen. Fjern klemskiven.

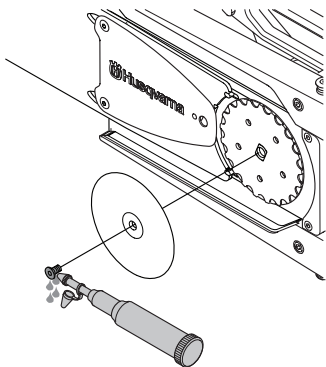


- 2 Kontroller slitasjenivået på kjededrivhjul regelmessig. Skift det hvis det er unormalt slitt.

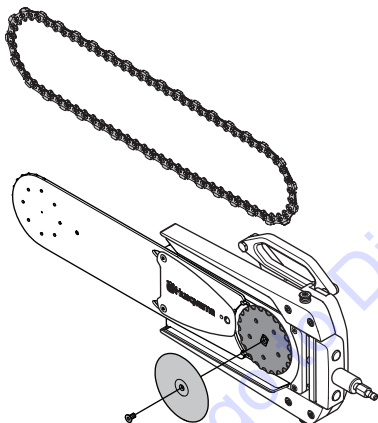


VEDLIKEHOLD

- 3 Når drivhjulet er løsnet, må skruen, tråder og bolthodet smøres. Hvis skruen ikke er ordentlig smurt, vil den løsne.

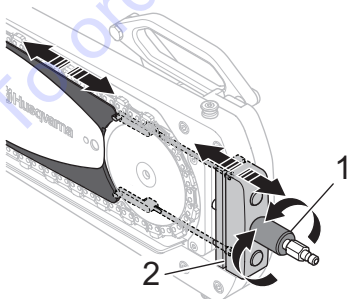


- 4 Stram alltid skruen med et tiltrekkingsmoment på 20 Nm.



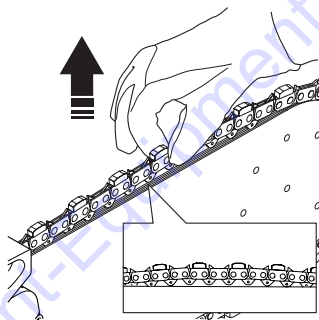
Sagkjede

- 1 Skru håndtaket (1) helt ut for å løsne kjedestrømmingen.



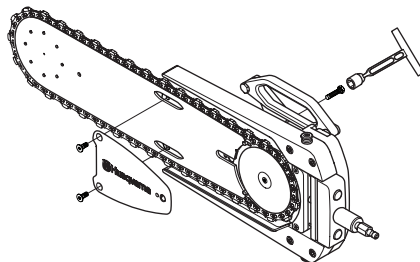
- 2 Trekk i kjedet for å løsne strammemekanismen (2), og ta av kjedet.
- 3 Kontroller kjedet for skade og slitasje. Hvis nødvendig, må du montere et nytt kjede på sverdet.
- 4 Kjedestrømmingen justeres med håndtaket (1).

OBS! Riktig diamantkjedestrømming på denne maskinen er forskjellig fra andre motorsager. Når kjedet er perfekt strammet, ligger det tett inntil sverdet og i en perfekt sirkel rundt det. Etter strømmingen skal det fortsatt være mulig å løfte opp kjedet slik at kjedeføringen er parallell med sverdet, og det skal være lett å bevege kjedet.

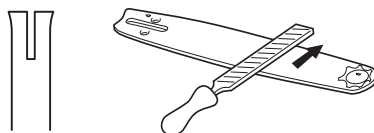


Sverd

- 1 Bruk en 13 mm T-pipenøkkel til å fjerne skruen som holder sverdet.



- 2 Bruk den medfølgende unbrakonøkkelen for å fjerne de to forsenkede skruene. Ta vare på skruene. Hvis disse skruene må byttes ut, må du bare bruke skruene fra den illustrerte delelisten (IPL).
- 3 Ta av sverdet og kontroller om det er slitt.
- 4 Kontroller om det har dannet seg grader på sverdkantene. Fil bort ved behov.

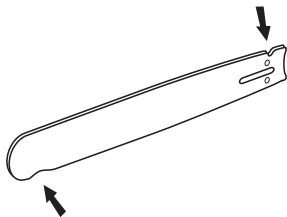


VEDLIKEHOLD

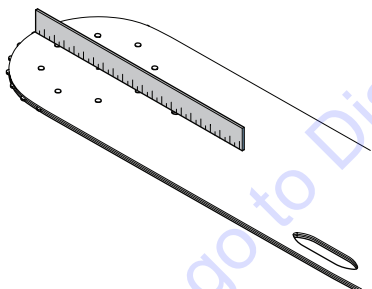
- 5 Kontroller om sverdsporet er unormalt slitt. Skift ut sverdet ved behov.



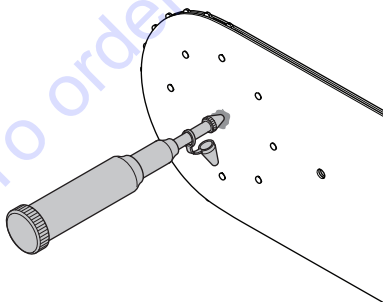
- 6 Kontroller om sverdnesen er unormalt eller ujevnt slitt. Hvis det har dannet seg en "grop" der sverdnesens radius slutter på sverdets underside, har du kjørt med for slakt sagkjede. For å forlenge sverdets levetid kan du endre kjederotasjonsretningen i settings (innstillinger) på fjernkontrollen. Se bruksanvisningen for Husqvarna-batteripakken for mer informasjon.



- 7 Bruk en linjal for å kontrollere at sverdet ikke er bøyd. Plasser linjalen mot sverdspissen. Linjalen må ligge parallelt med sverdet.

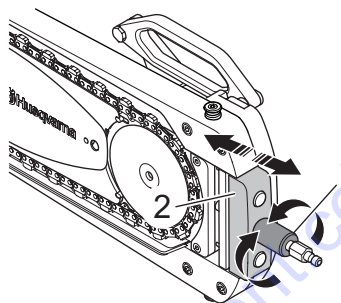


- 8 Smør sverd og diamantkjede daglig.

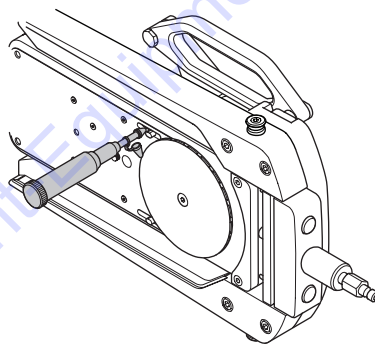


Kjederstrammingsfunksjon

- 1 Trekk i den grå blokken for å kontrollere elastisiteten.

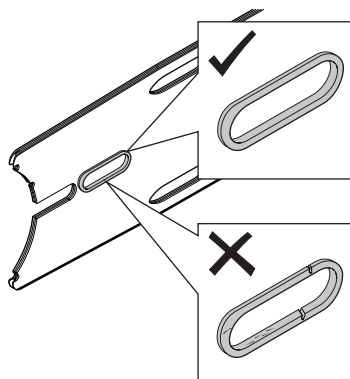


- 2 Rengjør sporene og smør dem.



Tetningsring

- 1 Kontroller tetningen for slitasje. Skift om nødvendig.

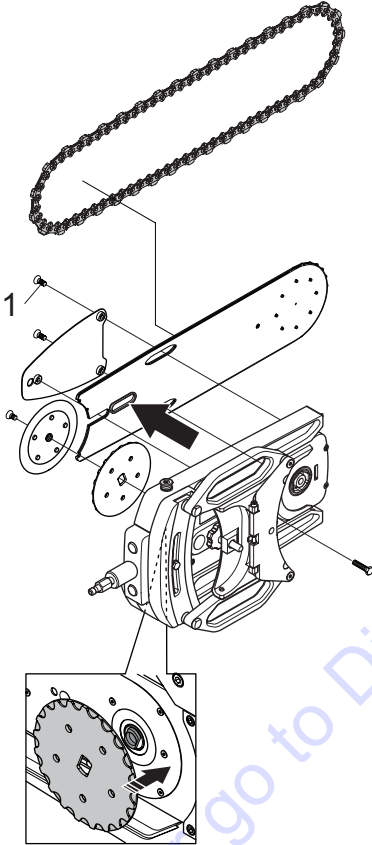


- 2 Rengjør alle overflater.

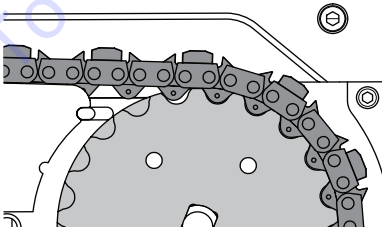
VEDLIKEHOLD

Montere etter vedlikehold

- 1 Plasser drivhjulet på den utgående akselen.
- 2 Monter som vist i illustrasjonen.



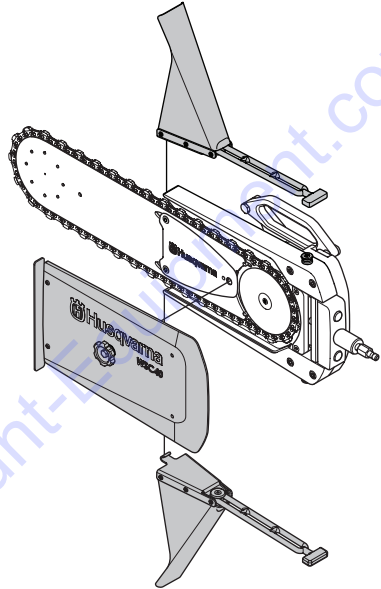
- 3 Stram de to forsenkede skruene (1) med et tiltrekningsmoment på 20 Nm.
- 4 Sett kjedet på sverdet og kontroller at det følger nesehjul og drivhjul nøye.



- 5 Når drivhjulet er løsnet, må skruen, tråder og bolthodet smøres. Hvis skruen ikke er ordentlig smurt,

vil den løse. Stram alltid skruen med et tiltrekningsmoment på 20 Nm.

- 6 Bruk vribryteren for å justere kjedestrømmingen. Kontroller kjedestrømmingen. Stram klemskive med boltene. Bruk et tiltrekningsmoment på 20 Nm.
- 7 Sett på plass dekselet. Stram knotten forsiktig for hånd.



FEILSØKING

Feilsøkingsskjema



ADVARSEL! Hvis serviceoperasjoner eller feilsøking ikke krever at maskinen er på, må motoren slås av og stoppbryteren settes i STOPP-stilling.

Problem	Trolig årsak	Mulig løsning
Maskinen arbeider tungt eller går ikke inn i materialet.	Slitasje på kjedet eller sverdet.	Inspiser og skift om nødvendig.
	Nye diamanter må aktiveres i kjedet.	Endre rotasjonsretningen på kjedet.
Sagen arbeider skjevt.	Slitasje på kjedet eller sverdet.	Inspiser og skift om nødvendig.
	Håndtaket på sagenheten er bøyd.	Juster eller skift håndtaket.
Skjæringen går tungt, også utenfor materialet.	For mye fett ved smøring.	La sagen rotere utenfor materialet i et minutt.
	Feil montering.	Inspiser for feilmontering; klemskive, drivhjul, kjede, sverd, aksel
	Rust og korrosjon.	Bruk smørefett til å smøre. Skift ut deler ved kraftig korrosjon.
Sverdet vibrerer ved visse hastigheter.	Slitt drivhjul.	Inspiser og skift om nødvendig.
Vibrasjonsnivåene er for høye	Diamantkjedet er montert feil.	Kontroller at sverdet og diamantkjedet er riktig montert og ikke viser tegn til skade. Se instruksjonene i avsnittene Diamantkjeder og Vedlikehold.
Unormal slitasje på kjede eller sverd.	Det brukes for lite vann ved saging.	Skift diamantkjedet og kontroller at det er intakt.
	For høy effekt i PP 480 eller PP 490.	Kontroller at du har valgt klippestilling "kjede" på fjernkontrollen. Hvis dette mangler, må du kontakte Husqvarna-serviceverkstedet for å få programvareoppdatering.
	Feil kjedestramming	Juster kjedestrammingen.
	Dødgang i montering / feil montering.	Beveg maskinen frem og tilbake for å kontrollere at alle delene er riktig montert og at veggmontering er riktig.
I dybden arbeider maskinen i en bue.	Sverdet er skadet.	Permanent skade. Skift ut sverdet.
	Kapping er utført uten forhåndskapping med bladet.	Permanent skade. Skift ut sverdet.
	Du har truffet langsgående jern.	Flytt sagen sidelengs, og lag et nytt kutt.

TEKNISKE DATA

WSC 40

Maks. effektbehov (kW)	9,2
Inngang, maks. (o/min)	1200
Kraftoverføring	Girdrev
Maks. inngående dreiemoment (Nm)	230
Gjroljemengde, (dl/fl oz)	1,5/5
Kjølevanntrykk – maks. (bar/PSI)	10/145
Min. anbefalt vannmengde, (l/min / gal/min)	3,5/1
Kjølevannets maks. temp. Ved 3,5 l/min / 1 gal/min, (C/F)	60/140

Vekt

WSC 40 inkl. to skjermer (kg/lbs)	19/42
Total vekt med transportkasse, (kg/lbs)	27/60

Støyutslipp (se anm. 1)

Lydeffektnivå, målt L_w dB(A)	105
---------------------------------	-----

Ljudnivåer (se anm. 2)

Lydtrykknivå ved brukerens øre, dB(A)	83
---------------------------------------	----

Anm. 1: Utslipp av støy til omgivelsene målt som lydeffekt (L_w) i samsvar med EN 15027/a1. Generell målingsusikkerhet 2,5 dB (A).

Merknad 2: Lydtrykknivå i henhold til EN 15027/A1.

Generell målingsusikkerhet 4 dB (A).

Spesifikasjon for anbefalt skjæreutstyr, kjede

Sverd og diamantkjede	Antall diamantkjede-segenter:	Diamantkjededeling, (mm/tommer)	Diamantkjedesegmentets bredde, (mm/tommer)	Maks kjedehastighet (m/s / ft/s)
24" (0,444")	37	11,582/0,444	5,7/0,22	28/92

Spesifikasjon for anbefalt skjæreutstyr, sverd

Sverdlengde (mm/tommer)	Maks. rett skjæredybde, (mm/tommer)	Maks. skjæredybde, (mm/tommer)	Min. skjærebredde, (mm/tommer)	Sverdbredde med kjede (mm/tommer)	Sverdbredde (mm/tommer)
614/24	300/12	400/15,7	200/8	192/8	154/6

MERKKIEN SELITYKSET

Koneessa esiintyvät tunnukset:

VAROITUS! Kone voi virheellisesti tai huolimattomasti käytettynä olla vaarallinen työväline, joka saattaa aiheuttaa käyttäjälle tai sivullisille vakavia vammoja tai kuoleman.



Lue käyttöohje huolellisesti ja ymmärrä sen sisältö, ennen kuin alat käyttää konetta.



Käytä aina:

- Hyväksytyä suojakypärää
- Hyväksytyjä kuulonsuojaimia
- Suojalasit tai visiiri
- Hengityksensuojain



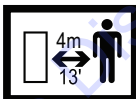
Leikkautumisvaara. Pidä kaikki kehon osat etäällä terävarustuksesta.



Lentävien esineiden aiheuttama vaara. Käyttäjän on aina seistävä viistossa kulmassa käytössä olevan sahan takana, jotta materiaalista irtoavat osat eivät osu häneen.



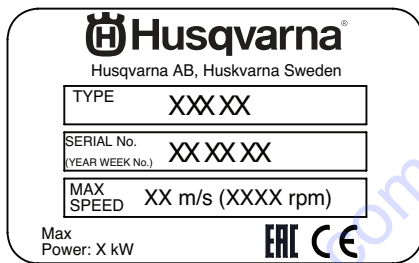
Pidä turvallinen välimatka koneeseen. Käytön aikana pienin vaadittava turvaväli liikkuviin osiin on 4 metriä (13 ft).



Tämä tuote täyttää voimassa olevan CE-direktiivin vaatimukset.



Koneen arvokilpi



Rivi 1: Tuotemerkki

Rivi 2: Valmistajan osoite

Rivi 3: Tyyppi

Rivi 4: Sarjanumero (vuosi, viikko, numero)

Rivi 5: Enimmäisnopeus

Rivi 6: Suurin teho, tietyillä markkinoilla käytettävät sertifiointimerkinnot.

Selvitys vaaratasoista

Varoitukset on jaettu kolmeen luokkaan.

VAROITUS!



VAROITUS! Tätä käytetään, jos käyttöohjeen noudattamatta jättämisestä voi seurata käyttäjän vakava vamma tai kuolema tai ympäristön vahingoittuminen.

TÄRKEÄÄ!



TÄRKEÄÄ! Tätä käytetään, jos käyttöohjeen noudattamatta jättämisestä voi seurata käyttäjän loukkaantuminen tai ympäristön vahingoittuminen.

HUOM!

HUOM! Tätä käytetään, jos käyttöohjeiden noudattamatta jättämisestä voi seurata materiaalin tai koneen vaurioittuminen.

Muita koneen tunnuksia/tarroja tarvitaan tietyillä markkina-alueilla ilmaisemaan erityisiä sertifiointivaatimuksia.

SISÄLTÖ

Sisältö

MERKKIEN SELITYKSET

Koneessa esiintyvät tunnuksot:	98
Koneen arvokilpi	98
Selvitys vaaratasoista	98

SISÄLTÖ

Sisältö	99
---------------	----

ESITTELY

Hyvä asiakas!	100
Suunnittelu ja ominaisuudet	100
WSC 40	100

KONEEN OSAT

WSC 40:n osat	101
---------------------	-----

KONEEN TURVALAITTEET

Yleistä	102
---------------	-----

TIAMANTTIKETJUT

Yleistä	103
Ketjun tarkastus	103
Sahan tarkastus	103
Materiaali	103
Lasite	103
Kuljetus ja säilytys	103

ASENNUS JA SÄÄDÖT

Yleistä	104
Asenna seinäkiinnikkeet ja kisko	104
Asenna sahan vaunu ja saha	104
Teränsuojuksen ja terän samansuuntaisuuden tarkistaminen	104
Seinänsahan ketjulisälaitteen asentaminen	104
Timanttiketjun asentaminen	106
Timanttiketjun kiristäminen	106
Roiskesuojuksen asentaminen	106
Kytke voimalaite	107
Lisälaitteen irrottaminen	107

KÄYTTÖ

Suojavarustus	108
Trimmauksen perustekniikka	110
Suosittelun ketjun nopeus	112

KÄYNNISTYS JA PYSÄYTYS

Ennen käynnistystä	113
Käynnistys	113
Valitse käyttötila.	113
Kalibrointi	113
Pysäytys	113
Sahan irrotus	113
Puhdistus	113

KUNNOSSAPITO

Yleistä	114
Huoltokaavio	114
Puhdistus	114
Toiminnan tarkastus	115

VIANMÄÄRITYS

Vianetsintäkaavio	119
-------------------------	-----

TEKNISEET TIEDOT

WSC 40	120
Suosittelun terävarustuksen tiedot, ketju	120
Suosittelun terävarustuksen tiedot, terälevy	120
EY-vaatimusten mukaisuusvakuutus	121

Hyvä asiakas!

Kiitos, että valitsit Husqvarna-tuotteen!

Toivomme, että olet tyytyväinen koneeseesi, ja että se saa olla seuralaisenasi pitkän aikaa eteenpäin.

Ostaessasi jonkin tuotteistamme saat ammattitaitoista korjaus- ja huoltoapua. Jos ostat koneen muualta kuin valtuutetulta jälleenmyyjältämme, pyydä myyjää neuvomaan lähin huoltoliike.

Tämä käyttöohje on arvokas asiakirja. Varmista, että käyttöohje on aina helposti saatavilla työpaikalla. Noudattamalla sen käyttö-, huolto- ja kunnossapito- ja muita ohjeita voit huomattavasti pidentää koneen elinikää ja lisätä myös sen jälleenmyyntiarvoa. Jos myyt koneesi, muista luovuttaa käyttöohje uudelle omistajalle.

Yli 300 vuotta innovaatioita

Husqvarna AB on ruotsalainen yritys, jonka perinteet ulottuvat vuoteen 1689 saakka, jolloin kuningas Kaarle XI antoi määräyksen tehtaan rakentamisesta muskettien valmistukseen. Jo silloin luotiin pohja joidenkin maailman johtavien tuotteiden kehittämisen takana oleville koneenrakennustaidoille esimerkiksi metsästyksaseiden, polkupyörien, moottoripyörien, kodinkoneiden, ompelikoneiden ja ulkoilutuotteiden alueella.

Husqvarna on maailman johtava moottorikäyttöisten, esimerkiksi metsäteollisuuteen, puistonhoitoon sekä nurmikon ja puutarhan hoitoon tarkoitettujen tuotteiden sekä rakennus- ja kiviteollisuudessa käytettävien terälaitteiden ja timanttityökalujen valmistaja.

Käyttäjän vastuu

Omistaja/työnantaja vastaa siitä, että käyttäjällä on riittävät tiedot koneen turvallisesta käytöstä. Työnjohtajien ja käyttäjien on luettava ja ymmärrettävä käyttöohjeen sisältö. Heidän on tunnettava:

- koneen turvaohjeet.
- koneen käyttötarkoitukset ja rajoitukset.
- miten konetta tulee käyttää ja huoltaa.

Kansallinen lainsäädäntö voi asettaa rajoituksia tämän koneen käyttöön. Selvitä, mitä lainsäädäntöä sovelletaan työntekopaikassasi ennen kuin ryhdyt käyttämään konetta.

Valmistajan varaus

Husqvarna voi julkaista lisäohjeita tuotteen turvallisesta käytöstä tämän käyttöohjeen julkaisun jälkeen. Turvallista käyttöä koskevista ohjeista ajan tasalla pysyminen on omistajan vastuulla.

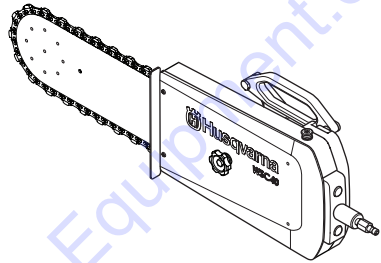
Husqvarna AB kehittää jatkuvasti tuotteitaan ja pidättää siksi itselleen oikeuden mm. muotoa ja ulkonäköä koskeviin muutoksiin ilman ennakoilmoitusta.

Suunnittelu ja ominaisuudet

Hyvän suorituskyvyn, luotettavuuden, innovatiivisen teknologian, edistyneiden teknisten ratkaisujen ja ympäristöystävällisten ominaisuuksien kaltaiset arvot erottavat Husqvarnan tuotteita muista. Tuotteen turvallista käyttöä varten käyttäjän on luettava tämä käyttöohje huolellisesti. Jos tarvitset lisätietoja, ota yhteys jälleenmyyjään tai Husqvarnaan.

Joitakin tuotteesi ainutlaatuisia ominaisuuksia selostetaan alla.

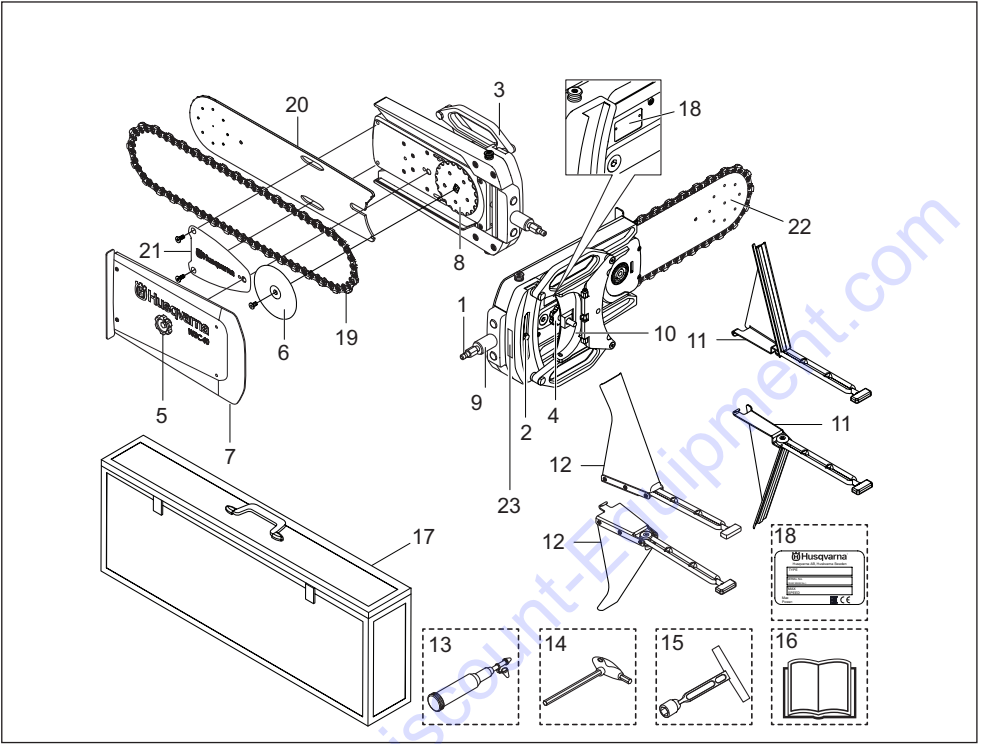
WSC 40



Ketjulisälaitte on osa seinäsahajärjestelmää ja toimii seinäsahaissa WS 440 ja WS 482. Seinäsahan ketjulisälaitte on suunniteltu raudoitettun betonin, kiven ja muiden kovien materiaalien sahaamiseen. Sitä saa käyttää ainoastaan tässä käyttöohjeessa kuvattuihin käyttötarkoituksiin. Koneen käyttämiseen tarvitaan Husqvarna WS 440- tai WS 482 -seinäsaha ja Husqvarnan korkeataajuuksinen latauslaitte.

- Seinäsahan ketjulisälaitetta käytetään ylisahausten välttämiseen aukkoja sahattaessa.
- Koneella voidaan sahata pieniä aukkoja esimerkiksi tuuletusta ja putkia varten.
- Ketjun nopeutta hallitaan sähköisesti ja säädetään käyttöagregaatin kaukosäätimellä.
- Ketjun ja uran kohdistus on sama kuin terän kanssa käytettävissä WS 440- ja WS 482 -malleissa.
- Ketjun pyörimissuuntaa voi ohjata kaukosäätimellä, mikä mahdollistaa vesisuihkun suunnan valinnan.
- Kone on kevyt, pienikokoinen ja ergonominen, joten sen kuljettaminen on helppoa.
- WSC 40:n edellyttämä erityisohjelmisto on asennettu latauslaitteeseen. Se luo suoria pistosahasliikkeitä säätämällä syöttömoottorin liikkeitä automaattisesti. Varmista, että latauslaitteen ohjelmisto on päivitetty.

KONEEN OSAT



WSC 40:n osat

- | | | | |
|----|-----------------------------|----|--------------------|
| 1 | Letkuliitäntä, veden tulo | 13 | Rasvaruisku |
| 2 | Kulmansäätöruuvi | 14 | Kuusioavain (5 mm) |
| 3 | Rinnakkaiskahva | 15 | T-avain (13 mm) |
| 4 | Kiristimen lukitusnappi | 16 | Käyttöohje |
| 5 | Lukitusnappi | 17 | Säilytyslaatikko |
| 6 | Kiristimen aluslevy | 18 | Koneen arvokilpi |
| 7 | Voimansiirtokotelo | 19 | Timanttiketju |
| 8 | Ketjupyörä | 20 | Terälevy |
| 9 | Ketjun kireyden säätönappi | 21 | Kiristyslevy |
| 10 | Seinänsahan kahvan kiristin | 22 | Kärkipyörä |
| 11 | Likisahaussuojus | 23 | Varoituskilpi |
| 12 | Roiskesuojus | | |

KONEEN TURVALAITTEET

Yleistä

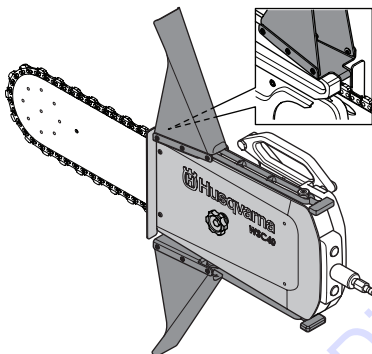
Tässä osassa selostetaan koneen turvalaitteet ja niiden toiminta ja annetaan tarkastus- ja kunnossapito-ohjeet, joilla varmistetaan niiden toimivuus. Katso luvusta Koneen osat, missä nämä koneet sijaitsevat koneessasi.



VAROITUS! Älä koskaan käytä konetta, jonka turvalaitteet ovat vialliset. Turvalaitteet on tarkastettava ja huollettava. Jos jokin turvalaite tai koneen osa on vaurioitunut, se on toimitettava huoltoliikkeeseen korjattavaksi.

Suojus ja roiskesuojus

Suojusta ja roiskesuojusta on aina käytettävä sahaamisen aikana.



Kansi ja roiskesuojus suojaavat käyttäjää liikkuvilta osilta, ulos sinkoutuvilta roskilta, vesiroiskeilta ja betonimassalta. Roiskesuojukset ottavat kiinni timanttiketjun, jos se irtoaa tai katkeaa.

On suositeltavaa asentaa molemmat roiskesuojukset, mutta tietyissä käyttökohteissa (sahaaminen lattian tai katon suuntaisesti) toinen roiskesuojus voidaan irrottaa tilapäisesti. Roiskeen suunnassa olevan roiskesuojuksen on aina oltava asennettuna. Asenna irrotettu roiskesuojus takaisin sahaamisen jälkeen.

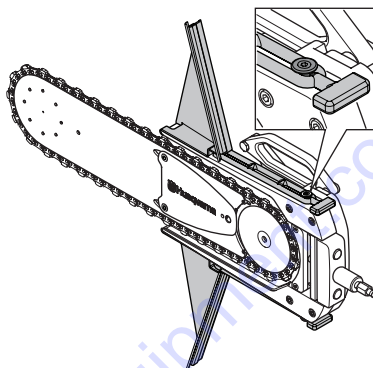
Tarkista suojus ja roiskesuojus.

Tarkista, ettei kannessa ja suojuksissa ole betonimassan aiheuttamia halkeamia tai koloja.

Vaihda kansi ja suojuukset, jos ne ovat vaurioituneet.

Suojukset likisahausta varten

Konetta voi käyttää likisahaukseen. Likisahauksessa käytetään erityissuunniteltuja roiskesuojuksia. Näitä suojuksia saa käyttää vain likisahauksessa.



Tarkista suojuukset vaurioiden ja kulumisen varalta. Varmista, ettei suojuksissa ole vaurioita. Vaihda vaurioituneet suojuukset.

Verkko-laite

Muista tarkistaa mukana toimitettavan latauslaitteen turvavarustus. Katso lisätietoja latauslaitteen käyttöohjeesta.

Tutustu myös käytettävän seinäsahan ja latauslaitteen turva- ja käyttöohjeisiin.

TO PURCHASE THIS PRODUCT PLEASE CONTACT US



**Equipment Financing and
Extended Warranties Available**



**Discount-Equipment.com is your online resource for
commercial and industrial quality parts and equipment sales.**

561-964-4949

visit us on line @ www.discount-equipment.com

Select an option below to find your Equipment

Search by Manufacturer

Search by Product Type

Request a Quote

We sell worldwide for the brands: Genie, Terex, JLG, MultiQuip, Mikasa, Essick, Whiteman, Mayco, Toro Stone, Diamond Products, Generac Magnum, Airman, Haulotte, Barreto, Power Blanket, Nifty Lift, Atlas Copco, Chicago Pneumatic, Allmand, Miller Curber, Skyjack, Lull, Skytrak, Tsurumi, Husquvarna Target, Stow, Wacker, Sakai, Mi-T-M, Sullair, Basic, Dynapac, MBW, Weber, Bartell, Bennar Newman, Haulotte, Ditch Runner, Menegotti, Morrison, Contec, Buddy, Crown, Edco, Wyco, Bomag, Laymor, EZ Trench, Bil-Jax, F.S. Curtis, Gehl Pavers, Heli, Honda, ICS/PowerGrit, IHI, Partner, Imer, Clipper, MMD, Koshin, Rice, CH&E, General Equipment, Amida, Coleman, NAC, Gradall, Square Shooter, Kent, Stanley, Tamco, Toku, Hatz, Kohler, Robin, Wisconsin, Northrock, Oztec, Toker TK, Rol-Air, APT, Wylie, Ingersoll Rand / Doosan, Innovatech, Con X, Ammann, Mecalac, Makinex, Smith Surface Prep, Small Line, Wanco, Yanmar

TIAMANTTIKETJUT

Yleistä



VAROITUS! Ketjun katkeaminen voi johtaa vakavaan vammaan, jos ketju sinkoutuu päin käyttäjää. Väärä terälaite tai väärä terälevy/teräketjuyhdistelmä lisää takapotkun vaaraa! Käytä vain suosittelemiamme terälevy/teräketjuyhdistelmiä.

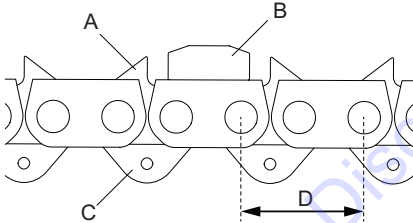


VAROITUS! Irrota aina virtajohto sahasta ennen asentamista, puhdistamista ja huoltamista. Huolimattomuus voi johtaa vakavaan loukkaantumiseen tai jopa kuolemaan.



VAROITUS! Terälevyä käsiteltäessä on aina käytettävä käsineitä.

- A) Vetolenkki, jossa suojalenkki
B) Leikkuuhammas timanttisegmentillä
C) Ketjun ohjain



Timanttiteräketjun jako: $Jako = D/2$

Laitetta saa käyttää vain kaksoissuojatun ketjun kanssa, koska koneella on kaksi pyörimissuuntaa.

Kun ketjua käytetään kaksoissuojalenkin kanssa, ketju voidaan asentaa kummin päin hyvänsä.

Ketjun tarkastus

- Tarkasta, että ketjussa ei ole vaurioita, kuten löysiä lenkkiiliitoksia, murtuneita syvyydensäätohampaita tai vetolenkkejä tai murtuneita segmenttejä. Vaihda timanttiketju, jos se on vaurioitunut.
- Jos ketju on juuttunut tiukasti materiaaliin tai siihen on kohdistunut muu epätavallinen ylikuormitus, on ketju irrotettava terälevystä ja tutkittava tarkasti.

Sahan tarkastus

Sahassa on joukko turvalaitteita, jotka suojaavat käyttäjää ketjurikon yhteydessä. Nämä turvalaitteet on tarkastettava ennen työn aloittamista. Älä koskaan käytä sahaa, jos seuraavat osat ovat vahingoittuneet tai puuttuvat:

- Voimansiirron kansa
- Vaurioitunut ketju
- Roiskesuojaus on vaurioitunut tai puuttuu

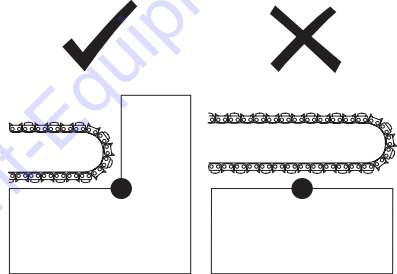
Materiaali



VAROITUS! Timanttisahauslaitetta ei missään olosuhteissa saa muuntaa leikkaamaan käyttötarkoituksensa vastaisia materiaaleja. Sitä ei koskaan saa varustaa puu- tai metsätöihin tarkoitettulla teräketjulla.

Tämä kone on suunniteltu ja tarkoitettu betonin, tiilen ja erilaisten kivimateriaalien sahaamiseen. Kaikki muu käyttö on koneen väärinkäyttöä.

Sahaa ei saa koskaan käyttää puhtaiden metallien sahaukseen, se aiheuttaa todennäköisesti segmenttien murtumiseen tai ketjun rikkoutumiseen. Timanttisegmentit kestävät raudoitettua betonin sahausta. Yritä sahata raudoitus kohdasta, jossa on mahdollisimman paljon betonia, se säästää ketjua.



Lasite

Timanttisegmentti voi menettää leikkuutehonsa osittain tai kokonaan, jos sillä sahataan erittäin kovaa betonia tai kiveä. Näin voi käydä myös, jos sahaamisessa joudutaan käyttämään alhaista osittaispainetta (timanttiketju hankaa työkappaletta koko terälevyn pituudelta). Tämä voidaan ratkaista muuttamalla ketjun pyörimissuuntaa.

Kuljetus ja säilytys

- Kun työ on valmis, timantisahaa tulee käyttää vedenpaineen kanssa vähintään 15 sekuntia terälevyn, ketjun ja vetomekanismin puhdistamiseksi hiukkaskasista. Huuhtelee kone vedellä. Jos konetta ei ole tarkoitus käyttää vähään aikaan, on suositeltavaa voidella ketju ja terälevy ruostumisen estämiseksi.
- Tarkista kaikki leikkuulaitteet kuljetus- tai varastointivaurioiden varalta.

ASENNUS JA SÄÄDÖT

Yleistä



VAROITUS! Irrota aina virtajohto sahasta ennen asentamista, puhdistamista ja huoltamista. Huolimattomuus voi johtaa vakavaan loukkaantumiseen tai jopa kuolemaan.

Asenna seinäkiinnikkeet ja kisko

Kokoa järjestelmä seinäsahan käyttöohjekirjan mukaisesti.

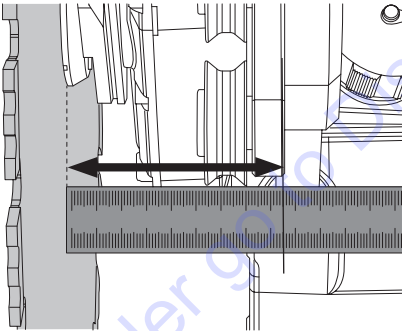
Asenna sahan vaunu ja saha

Kokoa järjestelmä seinäsahan käyttöohjekirjan mukaisesti.

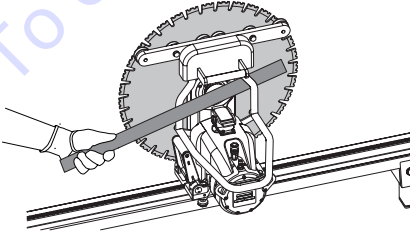
Teränsuojuksen ja terän samansuuntaisuuden tarkistaminen

Kun kohdistat WSC 40 -laitetta leikattavaan kohtaan, varmista ettei seinäsahan kahva ole vääntynyt.

- 1 Asenna teränsuojuksen ohjain ohjaimen ja mittaa kunkin päätypyörän etäisyys terään. Pyörän ohjaimen ulko-osan ja terän etäisyyden on oltava noin 102 +/- 2 mm.



- 2 Jos ero suositusarvosta on suurempi kuin 2 mm, irrota ohjain ja säädä runkoa teräspalkilla niin, että ohjain on rinnakkain terän kanssa.



Seinäsahan ketjulisälaitteen asentaminen

TÄRKEÄÄ! Kun kone ei ole käytössä, säilytä sitä sen mukana toimitetussa laatikossa.



VAROITUS! Suojaa kädet käsineillä.



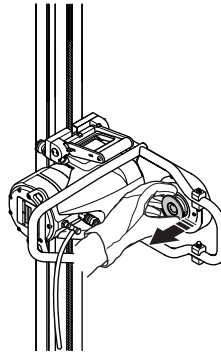
VAROITUS! Koneen asentaminen on annettava vain yhden henkilön tehtäväksi, jotta vältetään odottamattomia tapahtumia.



VAROITUS! Puristusvammojen vaara! Pidä konetta tukevasti.

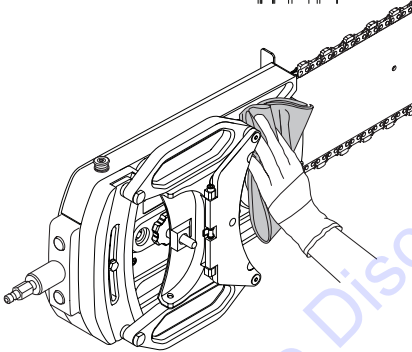
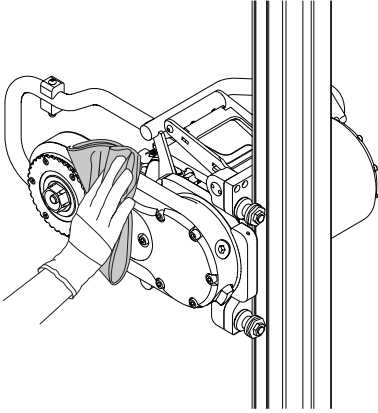
TÄRKEÄÄ! Pidä lattia puhtaana asentamisen aikana. Varmista, ettei tiellä ole esteitä.

- 1 Irrota terä ja terän laippa seinäsahan käyttöohjeiden mukaisesti.
- 2 Varmista, että karan napa on uloimmassa asennossa. WSC 40 -laitetta ei voi kiinnittää, jos kuusikulmainen akseli on sisäasennossa.

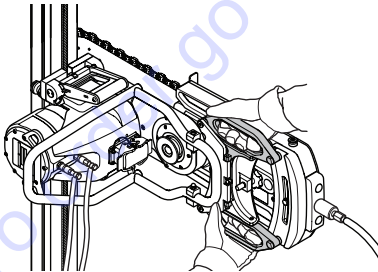


ASENNUS JA SÄÄDÖT

- 3 Varmista, että koneen ja sahapään pinnat ovat puhtaat.

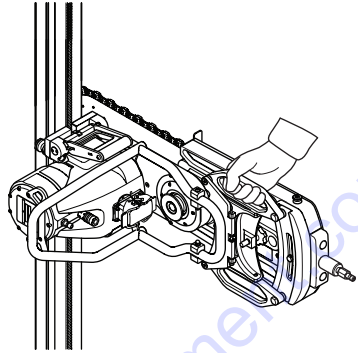


- 4 Nosta kone kahdella kädellä ulos säilytyslaatikosta pitäen kiinni rinnakkaiskavhasta.

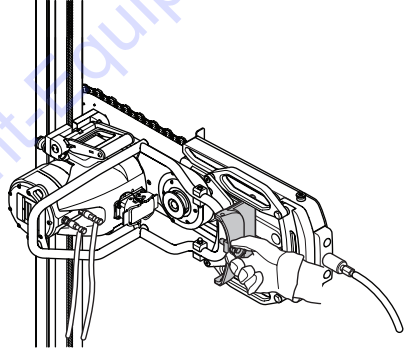


- 5 Liu'uta WSC 40 seinäsahan varteen. Kohdista kuusikulmainen akseli työntämällä sitä samalla, kun liikutat laitetta varovasti keskikohdan ympärillä. Akselin pitäisi nyt olla keskimmaisessä lukitusasennossa. Tarkista tämä vetämällä

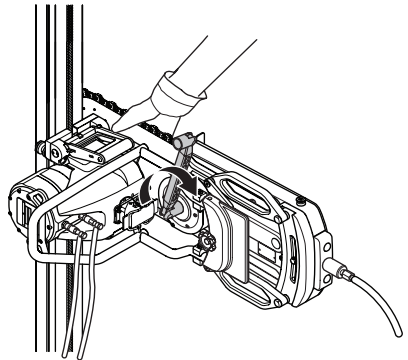
seinäsahan ketjulislaitetta. Varmista, että kone on lukittunut sahan varteen.



- 6 Taita kiristin, joka lukitsee lisälaitteen kahvaan. Kiristä lukitusnuppi.

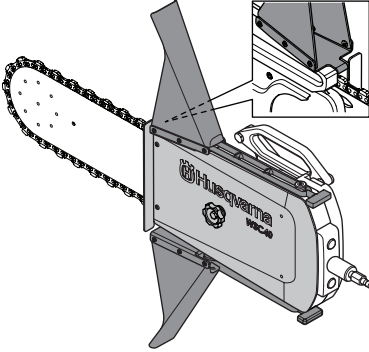


- 7 Kiristä kone sahapäähän karan navan pultilla. Aseta toinen käsi ketjulle. Muista käyttää käsineitä. Käytä työkalusarjaan kuuluvaa 18 mm:n avainta. Oikea kiristysmomentti on 70–80 Nm (52–59 ft-lbs).

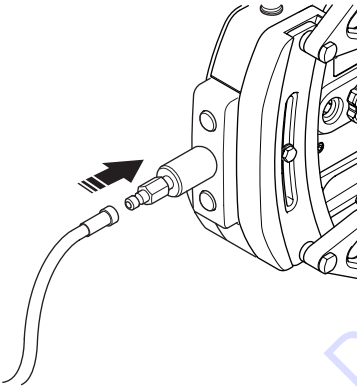


ASENNUS JA SÄÄDÖT

8 Asenna roiskesuojukset.



9 Liitä vesiletku.



VAROITUS! Tarkista ennen virtajohdon kytkemistä, että osat on asennettu oikein.

Timanttiketjun asentaminen



VAROITUS! Älä koskaan asenna tai irrota työkalua tai suojuksia irrottamatta ensin sahayksikköön johtavaa virtajohtoa. Huolimattomuus voi johtaa vakavaan loukkaantumiseen tai jopa kuolemaan.



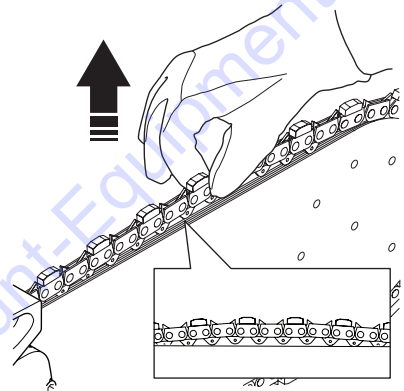
VAROITUS! Asenna seinäsahan ketjuläiläite varovasti niin, ettei se pääse löystymään sahaamisen aikana. Huolimattomuus voi johtaa vakavaan loukkaantumiseen tai jopa kuolemaan.

Timanttiketjun kiristäminen

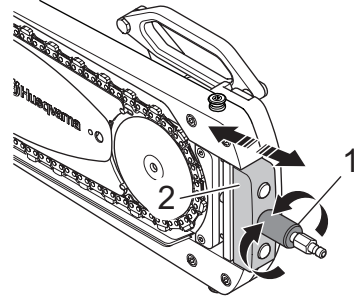


VAROITUS! Riittämättömästi kiristetty timanttiketju voi irrota, mikä voi aiheuttaa vakavan tai jopa hengenvaarallisen tapaturman.

Tämän koneen oikea timanttiketjun kireys on erilainen kuin moottorisahoissa. Oikein kiristetty ketju on kireä terälevyn kohdalta ja muodostaa sen ympärille täydellisen ympyrän. Kiristämisen jälkeen ketjua on voitava nostaa ylös niin, että ketjun ohjaimet ovat rinnakkain terälevyn kanssa. Lisäksi ketjua on voitava liikuttaa helposti.



Avaa kiinnityslevyn ruuvi takaa käyttämällä 13 mm:n T-avainta. Kiristä ketju säätönupilla.



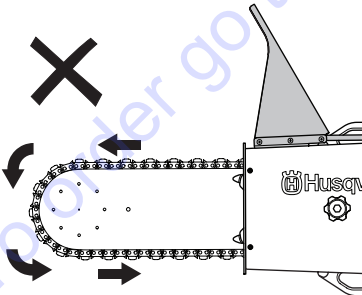
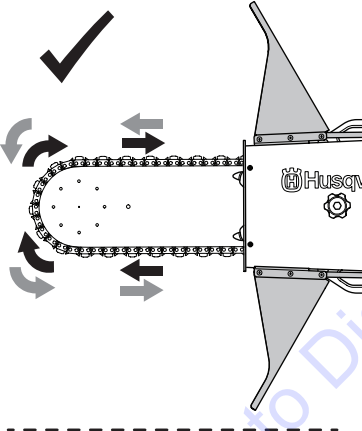
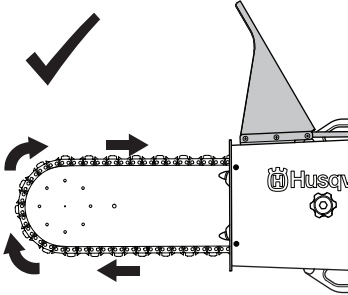
Roiskesuojuksen asentaminen

Terävarustuksen roiskesuojukset on asennettava koneen sivuille kumihihoilla. Tällöin katkaistavan materiaalin roiskeet ja kipinät keräytyvät suojukseen ja suuntautuvat pois päin käyttäjästä.

Koska timanttiketjun pyörimissuunta voidaan valita, vesisuihkun suunta ketjusta voidaan myös valita riippumatta sahan asennosta kiskolla.

ASENNUS JA SÄÄDÖT

Sekä likisahauksessa että normaalissa sahauksessa roiskeuojukset asennetaan ketjun pyörimissuunnan suuntaisesti.



Kytke voimalaite



VAROITUS! Tämä laite on tarkoitettu käytettäväksi ainoastaan yhdessä Husqvarna PP 400 -sarjan latauslaitteiden kanssa. Kaikki muu käyttö on kiellettyä.

Lue voimalaitteen mukana toimitettu käyttöohje kokonaan ennen koneen käytön aloittamista.

Yksikön suurin syöttöteho on 9,2 kW, joten 16 A:n tila näkyy, kun WSC 40 -laitetta käytetään PP 480:n ja PP 490:n kanssa. Arvo asetetaan automaattisesti, kun ketjutilla valitaan kaukosäätimellä. Tarkista, että latauslaitteen ohjelmisto on päivitetty uusimpaan versioon.

Lisälaitteen irrottaminen



VAROITUS! Irrota aina virtajohto sahasta ennen asentamista, irrottamista, puhdistamista ja huoltamista. Huolimattomuus voi johtaa vakavaan loukkaantumiseen tai jopa kuolemaan.

- 1 Irrota virran tulojohto ja veden tuloletku.
- 2 Irrota roiskeuojukset.
- 3 Estä ketjun liikkuminen asettamalla käsi sen päälle ja avaa sitten karan navan pultti 18 mm:n avaimella. Avaa pultti ja varmista, että karan napa on keskiasennossa.
- 4 Ota pitävä ote WSC 40:n vesiliitännästä. Avaa kiristimen lukitusnuppi. Lukitse rinnakkaiskavhat paikalleen taittamalla kiristin.
- 5 Ota vapaalla kädelläsi pitävä ote rinnakkaiskavhasta. Vedä seinäsahan varren karan napa uloimpaan asentoonsa. Irrota kone.
- 6 Kun kone ei ole käytössä, säilytä sitä sen mukana toimitetussa laatikossa.

Suojavarustus

Yleistä

Älä koskaan käytä konetta niin, ettei sinulla onnettomuustapauksessa ole mahdollisuutta kutsua apua.

Henkilökohtainen suojavarustus

Konetta käytettäessä on aina pidettävä hyväksytyjä henkilökohtaisia suojavarusteita. Henkilökohtaiset suojavarusteet eivät poista tapaturmien vaaraa, mutta lieventävät vaurioita onnettomuustilanteessa. Pyydä jälleenmyyjältä apua varusteiden valinnassa.



VAROITUS! Leikkaavien, hiovien, poraavien, kiillottavien tai työkaluilla muotoilevien tuotteiden käyttö voi synnyttää pölyä ja höyryjä, jotka saattavat sisältää haitallisia kemikaaleja. Selvitä työstettävän materiaalin ominaisuudet ja käytä sopivaa hengityksensuojainta.

Pitkäaikainen altistuminen melulle saattaa aiheuttaa pysyviä kuulovammoja. Käytä siksi aina hyväksytyjä kuulonsuojaimia. Tarkkaile aina varoitussignaaleja tai -huutoja kuulonsuojaimia käyttäessäsi. Riisu kuulonsuojaimet välittömästi moottorin pysäytyksen jälkeen.

Liikkuvia osia sisältäviin koneisiin liittyä aina puristumisvaara. Käytä suojakäsineitä ruumiinvammojen välttämiseksi.

Käytä aina:

- Hyväksytyjä suojakypäriä
- Kuulonsuojaimet
- Hyväksytyjä silmiensuojaimia. Visiiriä käytettäessä on käytettävä myös hyväksytyjä suojalaseja. Hyväksytyillä suojalaseilla tarkoitetaan laseja, jotka täyttävät standardin ANSI Z87.1 (USA) tai EN 166 (EU-maat) vaatimukset. Visiirin on täytettävä standardin EN 1731 vaatimukset.
- Hengityksensuojain
- Vahvat, pitävöitteiset käsineet.
- Istuva, tukeva ja mukava vaatetus, joka sallii täyden liikkumavapauden. Älä käytä shortseja.
- Saappaat, joissa on teräksinen varvasuoja ja luistamaton pohja.
- Ota huomioon, että vaatteet, pitkät hiukset ja korut voivat tarttua pyöriiviin osiin.

Muu suojavarustus



VAROITUS! Konetta käyttäessäsi voi syntyä kipinöitä, jotka voivat sytyttää tulipalon. Pidä palonsammutuskalusto aina saatavilla.

- Palonsammutin
- Ensiapupakkaus

Yleiset turvaohjeet



VAROITUS! Lue kaikki turvavaroitukset ja kaikki ohjeet. Varoitusten ja ohjeiden noudattamisen laiminlyöminen voi johtaa sähköiskuun, tulipaloon ja/tai vakavaan tapaturmaan.

Tässä osassa käsitellään koneen käyttöön liittyviä yleisiä turvamääräyksiä. Annetut tiedot eivät voi koskaan korvata osaamista, jonka ammattimies on hankkinut koulutuksessa ja käytännön työssä. Jos joudut tilanteeseen, jossa tunnet itsesi epävarmaksi, sinun on lopetettava työskentely ja kysyttävä neuvoa asiantuntijalta. Käännä myyjäliikkeen, huolto liikkeen tai kokeneen käyttäjän puoleen. Älä ryhdy mihinkään tehtävään, jonka suhteen tunnet itsesi epävarmaksi!

- Lue käyttöohje huolellisesti ja ymmärrä sen sisältö, ennen kuin alat käyttää konetta.
- Lue voimalaitteen mukana toimitettu käyttöohje kokonaan ennen koneen käytön aloittamista.
- Tämä kone on tarkoitettu käytettäväksi ainoastaan yhdessä Husqvarna WS 440- tai WS 482 -seinäsahan kanssa. Kaikki muu käyttö on kielletty.
- Kone voi aiheuttaa vakavan henkilövahingon. Lue turvaohjeet huolellisesti. Opettele käyttämään konetta oikein.
- Muista, että käyttäjä on vastuussa muille ihmisille tai heidän omaisuudelleen aiheutuneista vahingoista tai niitä uhkaavista vaaroista
- Kaikki koneenkäyttäjät on koulutettava koneen käyttöön. Omistaja vastaa käyttäjien opastuksesta.
- Kone on pidettävä puhtaana. Kylltien ja tarrojen on oltava täysin luettavissa.
- Säädä kaikki varoitukset ja ohjeet tulevaa käyttöä varten.



VAROITUS! Kone voi virheellisesti tai huolimattomasti käytettynä olla vaarallinen työväline, joka saattaa aiheuttaa käyttäjälle tai sivullisille vakavia vammoja tai kuoleman.

Älä koskaan anna lasten tai sellaisten henkilöiden, joille ei ole annettu koneen käyttökoulutusta, käyttää tai huoltaa sitä.

Älä koskaan anna kenenkään käyttää konetta varmistamatta ensin, että käyttäjä on ymmärtänyt käyttöohjeen sisällön.

KÄYTTÖ



VAROITUS! Hyväksymättömien muutosten ja/tai tarvikkeiden käyttö voi aiheuttaa käyttäjän tai muiden vakavan loukkaantumisen tai kuoleman.

Älä tee tähän koneeseen koskaan sellaisia muutoksia, jotka muuttavat sen alkuperäistä rakennetta, äläkä käytä sitä, mikäli epäilet jonkun muun muuttaneen konetta.

Älä koskaan käytä viallista konetta, akkua tai akkulaturia. Noudata tässä käyttöohjeessa annettuja kunnossapito-, tarkastus- ja huolto-ohjeita. Tietyt kunnossapito- ja huoltotyöt on annettava koulutettujen ja pätevien asiantuntijoiden tehtäviksi. Lue kohdassa Kunnossapito annetut ohjeet.

Käytä vain alkuperäisiä varaosia.

Käytä aina tervettä järkeä

On mahdotonta käsitellä kaikki tilanteet, joihin voit joutua. Ole aina varovainen ja käytä tervettä järkeä.

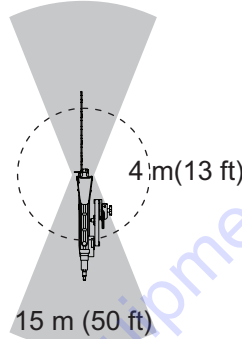
Jos joudut tilanteeseen, jossa tunnet itsesi epävarmaksi, sinun on lopetettava työskentely ja kysyttävä neuvoa asiantuntijalta. Käännä myyjäliikkeen, huoltoliikkeen tai kokeneen käyttäjän puoleen. Älä ryhdy mihinkään tehtävään, jonka suhteen tunnet itsesi epävarmaksi!

Työalueen turvallisuus

- Tarkista aina, mitä on sen seinän takana, jonka läpi terälevy ja timanttiketju tulevat sahattaessa. Varmista ja eristä alue ja tarkista, ettei työ voi aiheuttaa vaaraa ihmisille eikä vahinkoa materiaaleille.
- Tarkasta ja merkitse aina kaasujohtojen sijainti. Sahaaminen kaasujohtojen läheisyydessä on aina vaarallista. Varmista, ettei sahauksessa synny kipinöintiä, koska tietty räjähdysvaara on olemassa. Keskitä koko tarkkaavaisuutesi tehtävääsi. Varomattomuus voi johtaa vakavaan henkilövammaan tai kuolemaan.
- Tarkasta, ettei työalueelle tai leikattavan materiaalin sisälle ole vedetty putkia eikä sähköjohtoja.
- Varmista, ettei työalueella ole jännitteellisiä virtajohtoja.
- Varmista, ettei työalueella ole asiaankuulumattomia, muussa tapauksessa on olemassa vakavien henkilövahinkojen vaara. Turvaetäisyys on 15 metriä (50 ft).
- Vältä käyttöä epäsuotuisissa sääoloissa. Esimerkiksi tiheässä sumussa, rankkasateessa, kovassa tuulessa, pakkasessa jne.
- Huonossa säässä työskentely on väsyttävää ja voi aiheuttaa vaaratekijöitä, esimerkiksi tehdä alustasta liukkaan.

- Varmista, että työskentelyalue on riittävästi valaistu, jotta työympäristö on turvallinen.
- Varmista, että seisot turvallisisessa ja tukevassa työskentelyasennossa.

Koneen riskialue



VAROITUS! Varmista, ettei työalueella ole asiaankuulumattomia, muussa tapauksessa on olemassa vakavien henkilövahinkojen vaara. Turvaetäisyys on 15 metriä (50 ft).



VAROITUS! Käytön aikana pienin vaadittava turvaetäisyys liikkuviin osiin on 4 metriä (13 ft). Käyttäjän on aina seistävä viistossa kulmassa käytössä olevan sahan takana, jotta materiaalista irtoavat osat eivät osu häneen. Ole erityisen varovainen käynnistäessäsi konetta, kun saha lävistää materiaalin.

TÄRKEÄÄ! Henkilöitä, joilla ei ole edellä kuvattua suojavarustusta, ei saa päästää riskialueelle lentävien materiaalien vuoksi.

Sähköturvallisuus

Katso seinäsahan ja latauslaitteen käyttöohjeiden sähköturvallisuutta käsittelevät osiot.



VAROITUS! Älä pese konetta painepesurilla, koska vettä voi päästä sähköjärjestelmään tai moottoriin. Tämä voi vahingoittaa konetta tai aiheuttaa koneeseen oikosulun.

KÄYTTÖ

Henkilökohtainen turvallisuus

- Älä koskaan jätä konetta ilman valvontaa moottorin käydessä.
- Älä koskaan sahaa niin, että et helposti yllä kaukosäätimen tai voimalaitteen hätäpysäyttimeen. Katso voimalaitteen käyttöohje.
- Varmista aina koneita käyttäessäsi, että lähistöllä on joku toinen henkilö, jonka voit kutsua apuun tapaturman sattuessa.
- Lähellä laitetta työskentelevien on käytettävä vaadittuja suojaruosteita sekä kuulosuojaimia, sillä sahaamisen aikana melutaso ylittää arvon 85 dB (A).
- Suorita nostot varovasti. Käsittelet raskaita osia, jolloin on olemassa puristumisvahinkojen ja muiden vahinkojen mahdollisuus.
- Ihmiset ja eläimet voivat häiritä työskentelyäsi niin, että menetät koneen hallinnan. Keskity siksi aina riittävän hyvin koneen käyttöön.
- Ota huomioon, että vaatteet, pitkät hiukset ja korut voivat tarttua pyöriin osiin.
- **Irrota mahdolliset säätöavaimet ennen virran kytkemistä sähkötyökaluun.** Sähkötyökalun pyöriivään osaan kiinnitetty avain voi aiheuttaa henkilövahingon.
- Älä koskaan jätä konetta ilman valvontaa moottorin käydessä.
- Murskautumiskaava. Jos kone on asennettu virheellisesti, se voi kaatua ja vahingoittaa käyttäjää.
- Suorita nostot varovasti. Käsittelet raskaita osia, jolloin on olemassa puristumisvahinkojen ja muiden vahinkojen mahdollisuus.

Käyttö ja huolto

- Älä koskaan asenna tai irrota työkalua tai suojuksia irrottamatta ensin sahayksikköön johtavaa virtajohtoa.
- Älä koskaan irrota voimakkaapelia katkaisematta ensin virtaa voimalaitteesta ja odottamatta, että moottori pysähtyy täysin.
- Älä koskaan sahaa ilman oikeita suojuksia.
- Tarkista, että ketju ei koske mihinkään, kun kone käynnistetään.
- Käytön aikana pienin vaadittava turvaetäisyys liikkuviin osiin on 4 metriä (13 ft). Käyttäjän on aina seistävä viistossa kulmassa käytössä olevan sahan takana, jotta materiaalista irtoavat osat eivät osu häneen.
- Vesijäähdytystä on käytettävä aina. Se jäähdyttää ketjua ja terälevyä ja pidentää niiden käyttöikää sekä vähentää pölyn muodostumista.
- Tarkista, että kaikki kytkennät, liitännät ja kaapelit ovat ehjiä ja puhtaita.
- Kaikki sahattavat raot on merkittävä selvästi ennen sahausta ja suunniteltava siten, että sahaus voidaan tehdä henkilöitä tai konetta vaarantamatta.
- Kiinnitä tai ankkuroi betonilohkot lujasti ennen niiden leikkaamista. Sahatun materiaalin paino voi

vaurioittaa konetta tai vahingoittaa ihmisiä vakavasti, jos materiaalia ei siirretä hallituissa olosuhteissa.

Kuljetus ja säilytys

- Irrota aina sähköjohto ennen laitteen siirtämistä.
- Irrota leikkuuterä ja teränsuojus ennen kuljetusta ja varastointia.
- Säilytä varustusta lukittavassa tilassa, jotta lapset ja asiattomat henkilöt eivät pääse siihen käsiksi.
- Jos on jäätymisvaara, kone on tyhjennettävä siinä mahdollisesti jäljellä olevasta jäähdytysvedestä.
- Säilytä laitteet mukana tulleissa kotelossa.

Trimmauksen perustekniikka



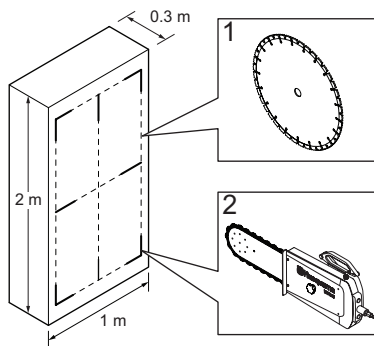
VAROITUS! WSC 40:n työskentelytekniikka ei sovellu tälle tuotteelle. Älä koskaan käytä näitä työskentelytekniikoita muita laitteita käyttäessäsi.



VAROITUS! Käytä aina terää, jonka segmentit ovat leveämpiä kuin ketjun segmentit. Tämä on erittäin tärkeää, jos sahaus viimeistellään kannettavalla koneella. Jos käytettävä kone on kisko-ohjattava malli, kuten WSC 40, tätä ohjetta ei tarvitse huomioida.

Aloita sahaaminen terällä (1) varustetulla seinäsahalla kuvan mukaisesti. Käytä sen jälkeen seinäsahan ketjuisälaitetta (2) kuvan osoittamalla tavalla.

Sahaamistekniikka on kuvattu seuraavassa kuvassa:



Syötä terää 3–7 cm (1,2–2,8"). Tee apuleikkaus, jonka avulla saavutetaan suora sahauslinja ja muodostetaan perusta seuraavalle leikkuulle. Leikkaus on tehtävä varovaisesti. Terävarren ansiosta enintään 1 000 mm:n (40") teriä voidaan käyttää aloitusterinä. Aloituksessa on kuitenkin suositeltavaa käyttää 800 mm:n (31,5") terää.

- Kun ohjausrako on valmis, voidaan sahata syvempi rako. Tämän raon syvyys päätetään kussakin tapauksessa erikseen, ja se riippuu eri tekijöistä,

KÄYTTÖ

kuten betonin kovuudesta, raudoitusten sijainnista yms.

- Jos vaihdat terän syventääksesi samaa leikkausta, varmista, että terän paksuus vastaa uran leveyttä.
- Anna koneen työskennellä terää pakottamatta tai painamatta.

Kun terällä tehtävät leikkaukset ovat valmiita, vaihda terän tilalle seinäsahan ketjuisälaitte ja sahaa jäljellä oleva materiaali niin, että kulumista tulee terävät.

Jos sahaat teräsbetonia tai kovaa aggregaattia, sahaaminen on aloitettava kohdasta A – 50 mm (2") kulmasta katsottuna. Katso A:n mitat kohdassa Ylisahaus olevasta taulukosta.

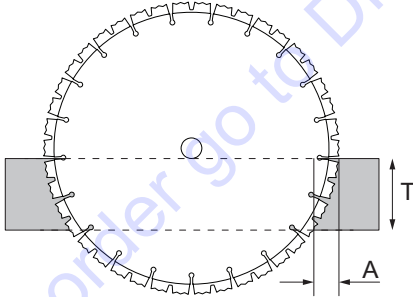
HUOM! Muuta kaukosäätimen asetus ketjutilaan, kun käytät seinäsahan ketjuisälaitetta.

Syötä seinäsahan ketjuisälaitetta seinän sisään ja sahaa kärkipyörällä. Ohjelmisto säättää automaattisesti pituussuuntaista syöttöä niin, että sahaamiseen käytetään kärkipyörää. Varmista sahaamisen alkaessa, että leikkuuvaunulle on riittävästi tilaa kiskojen päätykohdassa (valitse oikea varren pyörimissuunta).

HUOM! Varmista, että ketjutila on valittu kaukosäätimessä. Jos näin ei ole, työkalu pääsee kulumaan liiallisesti.

Ylisahaus

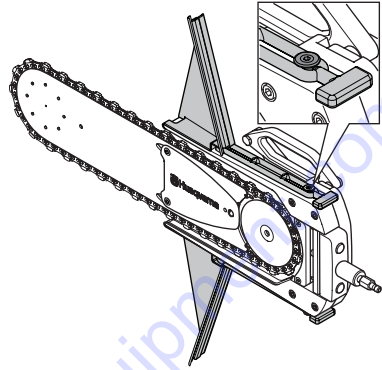
Ylisahausten pituus vaihtelee seinän paksuuden ja käytettävän terän mukaan.



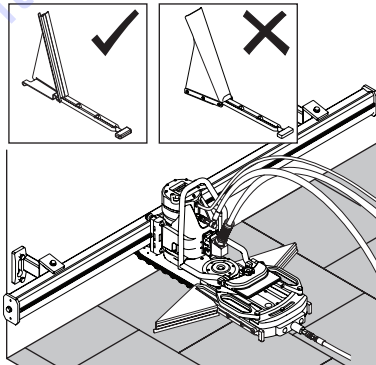
Terän koko	800 mm/32"	1000 mm/40"
T (mm/inch)	A (ylisahaus, mm/tuumaa)	
200/8	100/4	80/3
250/10	160/6	120/5
300/12	250/10	160/6
350/14	-	230/9
400/16	-	335/13

Sileä sahaus

Irrota roiskesuojukset ja voimansiirron kansi tavallisen sahaamisen ajaksi. Vaihda roiskesuojukset erityissuojuksiin likisahausta varten.



On suositeltavaa asentaa molemmat likisahaussuojukset, mutta tietyissä käyttökohteissa (sahaaminen lattian tai katon suuntaisesti) toinen suojus voidaan irrottaa tilapäisesti. Ketjun suunnassa olevan suojuksen on aina oltava asennettuna. Vaihda suojus sahaamisen jälkeen.

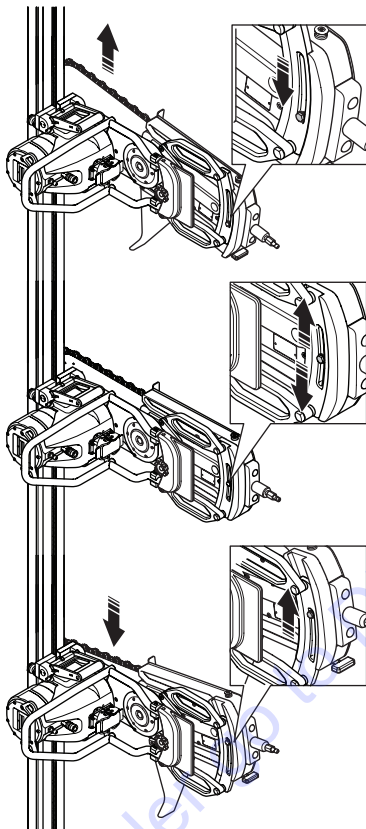


KÄYTTÖ

Kulman säätäminen

Kulmaa säätämällä pystytään sahaamaan täydellisesti lähellä kattoa, seinää tai lattiaa olevissa kulmissa. Säädä kulma suurimpaan asentoon. Suunta vaihtelee sahauslinjan mukaan.

Avaa ruuvi ja säädä kulmaa.



VAROITUS! Kiristä aina ruuvi
kristysmomenttiin 20 Nm (15 ft-lbs).

Suosittelun ketjun nopeus

Pehmeässä ja keskikovassa betonissa paras sahausteho saavutetaan käyttämällä täyttä sahausnopeutta 28 m/s (92 ft/s).

Jos käytössä on malli WS 482, varmista että mekaaninen vaihde 2 on valittu, jotta ketjun nopeus näytetään oikein.

HUOM! Liian pienillä kierrosnopeuksilla sahaaminen voi vaurioittaa ketjua ja terälevyä. Varmista, että valittuna on oikea mekaaninen vaihde! Kovabetonia leikattaessa on käytettävä alemmaa ketjun pyörimisnopeutta kuin pehmeää betonia leikattaessa.

KÄYNNISTYS JA PYSÄYTYS

Ennen käynnistystä

- Eristä sahattava alue niin, etteivät sivulliset ole vaarassa tai häiritse työn tekemistä.
- Tarkista, ettei terä tai teränsuojus ole vaurioitunut eikä siinä ole halkeamia. Vaihda terä tai teränsuojus, jos siihen on kohdistunut iskuja tai siinä on halkeamia.
- Tarkista, ettei ketjussa, terälevyssä ja teräsuojuksissa ole vaurioita tai halkeamia. Vaihda osat, jos niihin on kohdistunut iskuja tai niissä on halkeamia.
- Tarkista, että kaikki kaapelit ja veden syöttö on kytketty oikein koneeseen ennen sen käynnistämistä.

Käynnistys

Noudata voimalaitteen mukana toimitetun käyttöohjeen käynnistysohjeita.

HUOM! Varmista, että WSC40:n oikea käyttötila on valittu kaukosäätimessä. Muutoin ketju ja terälevy altistuvat liialliselle kulumiselle.

TÄRKEÄÄ! Varmista, että latauslaitteen ja kaukosäätimen ohjelmisto on päivitetty uusimpaan versioon. Saat uusimman ohjelmistoversion Husqvarnan huoltokeskuksesta.

Valitse mekaaninen vaihde 2, jos käytössä on seinäsaha WS 482.

Valitse käyttötila.

Käyttötila vaihdetaan seinäsahalaitteen mukana toimitettavalla kaukosäätimellä. Valitse ylä- ja alanuolipainikkeilla työkaluksi terä tai seinäsahan ketjulisälaite.

Latauslaite voi näyttää useampia vaihtoehtoja. Varmista, että olet valinnut käytössä olevalle työkalulle oikean tilan.

Jos valittuna on väärä käyttötila, työkalut voivat kulua liiallisesti.

Kalibrointi

Jos seinäsahan ketjulisälaite ei leikkaa seinään suoraa linjaa, asentoanturit on ehkä kalibroitava.

- 1 Siirrä saha uloimpaan asentoon käyttämällä kiertovarretta. Kahvojen on oltava tarkalleen rinnakkaisessa asennossa.
- 2 Siirry valikkoon, valitse varren asennon kalibrointi ja valitse OK. Asento on nyt kalibroitu.

Katsa lisätietoja Husqvarna-latauslaitteen käyttöohjekirjasta.

Pysäytys

- Kun sahaus on tehty, irrota WSC 40:n terälevy seinästä ja pysäytä terän pyörimisliike ja veden virtaus.
- Katkaise virta voimalaitteesta.

Sahan irrotus

- 1 Anna moottorin pysähtyä kokonaan.
- 2 Irrota voimalaitteen virtalähde.
- 3 Katkaise ja irrota veden syöttö voimalaitteeseen.
- 4 Irrota virtakaapeli ja vesiletku sahayksiköstä.
- 5 Muut työvaiheet tehdään asennukseen nähden päinvastaisessa järjestyksessä.

Puhdistus

Sahausten päätyttyä saha on puhdistettava. On tärkeää, että koko sahalaiteisto puhdistetaan.

TÄRKEÄÄ! Älä käytä sahan puhdistamiseen suurpainealustaatta.

Kuljetus ja säilytys

Katkaise voimalaitteesta aina virta ja irrota sähkökaapeli ennen laitteen siirtämistä.

Irrota roiskeuojukset ennen laitteen kuljettamista ja varastointia.

Säilytä varustusta lukittavassa tilassa, jotta lapset ja asiattomat henkilöt eivät pääse siihen käsiksi.

Jos on jäätymisvaara, kone on tyhjennettävä siinä mahdollisesti jäljellä olevasta vedestä.

Säilytä laitteet mukana tulleissa koteloissa.

KUNNOSSAPITO

Yleistä



VAROITUS! Käyttäjä saa tehdä ainoastaan sellaisia huolto- ja kunnostustehtäviä, jotka on kuvattu tässä käyttöohjeessa. Laajemmat toimenpiteet tulee antaa valtuutetun huoltokorjaamon tehtäväksi.

Tarkastus ja/tai kunnossapito on tehtävä moottori sammutettuna ja virtapistoke irrotettuna.

Käytä henkilökohtaisia suojavarusteita. Katso otsikon Henkilökohtainen suojavarustus alla annetut ohjeet.

Koneen käyttöikä voi lyhentyä ja onnettomuusriski kasvaa, jos koneen kunnossapitoa ei suoriteta oikealla tavalla ja jos huoltoa ja/tai korjauksia ei tehdä ammattitaitoisesti. Jos tarvitset lisäohjeita, ota yhteys huoltokorjaamoon.

Anna Husqvarna-myyjän tarkistaa kone säännöllisesti ja tehdä tarvittavat säädöt ja korjaukset.

Tee huoltotoimenpiteet aina siistissä tilassa, jonka lattialla ei ole roskaa.

Huoltokaavio

Huoltokaaviosta näet, mitkä koneen osat vaativat huoltoa ja millaisin välein huolto on tehtävä. Välit lasketaan koneen päivittäisen käytön perusteella, ja ne voivat vaihdella käyttöiheyden mukaan.

	Päivittäiset toimenpiteet	Neliömetrin sahausksen jälkeen
Puhdistus	Ulkoinen puhdistus	
Rasvaaminen	Ruiskuta ketjuun ja terälevyyn öljyä.	Voitele terälevy sivelemällä voitelukohtaa 2–3 kertaa.
	Voitele terälevy. Sivele voitelukohtaa, kunnes terälevy on täynnä voiteluainetta.	
Toiminnan tarkastus	Yleinen tarkastus	
	Vesijärjestelmä	
	Suojus ja roiskesuojus	
	Terälevy, timanttiketju ja vetopyörä	

Puhdistus

Ulkoinen puhdistus

Seinäsaahan ketjulaisalaite on puhdistettava, kun sahaaminen lopetetaan. Käytä seinäsaahan mukana toimitettavaa harjaa ja kytke se vesiletkuun. Puhdista kaikki järjestelmän laitteet.



VAROITUS! Älä puhdista konetta painepesurilla.

Toiminnan tarkastus

Yleinen tarkastus



VAROITUS! Älä koskaan käytä vioittuneita johtaja, sillä ne voivat aiheuttaa vakavia, jopa kuolemaan johtavia, henkilövahinkoja.

- Tarkasta, että ruuvit ja mutterit ovat kireällä.
- Tarkista, että kaikki pinnat ovat puhtaita.
- Tarkista, ettei suojuksessa ja roiskesuojuksissa ole vaurioita tai merkkejä kulumisesta.
- Tarkista käyttöpyörä kulumisen varalta.
- Tarkista, ettei ketjussa ja terälevyssä ole vaurioita tai merkkejä kulumisesta.
- Tarkasta ketjun kireys.
- Tarkista ketjun kireys.
- Tarkasta säännöllisesti ketjupyörän kuluneisuus. Vaihda, jos se on epätavallisen kulunut.

Purkaminen ennen tarkistamista

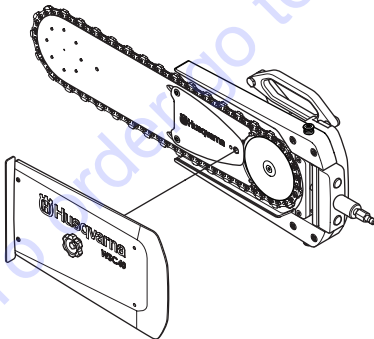


VAROITUS! Irrota aina virtajohto sahasta ennen asentamista, irrottamista, puhdistamista ja huoltamista.

- 1 Irrota vesiletkut sahayksiköstä ja ripusta ne niille tarkoitettuun paikkaan kuljetusvaunussa.

Irrota vesiletkut sahayksiköstä ja ripusta ne niille tarkoitettuun paikkaan kuljetusvaunussa tai -laatikossa.

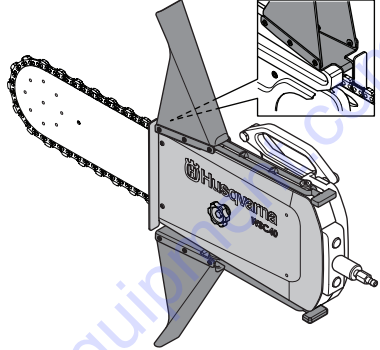
- 2 Irrota roiskesuojukset.
- 3 Avaa kahvan pultti ja irrota kansi.



Suojus ja roiskesuojus

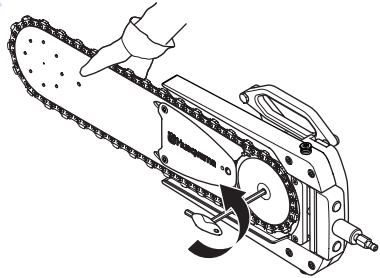
Tarkista suojus ja roiskesuojus.

Tarkista, ettei voimansiirron kannessa ja roiskesuojuksessa ole betonimassan aiheuttamia halkeamia tai koloja. Vaihda kansi tai suojukset, jos ne ovat vaurioituneet.

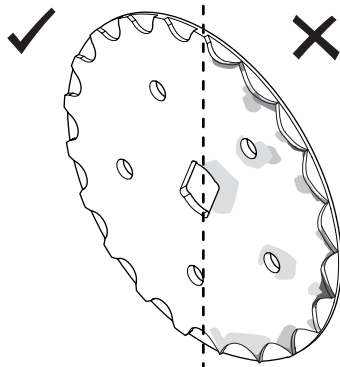


Ketjupyörä

- 1 Pidä ketjusta kiinni yhdellä kädellä ja avaa ruuvi mukana toimitetulla kuusiokoloavaimella. Irrota kiinnityslevy.

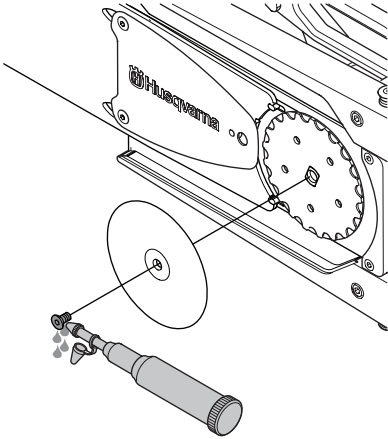


- 2 Tarkasta säännöllisesti ketjupyörän kuluneisuus. Vaihda, jos se on epätavallisen kulunut.

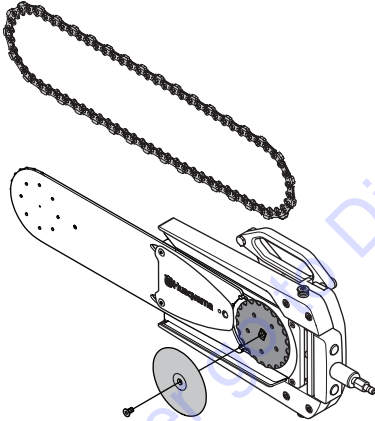


KUNNOSSAPITO

- 3 Kun vetopyörä on löysennetty, ruuvi, kierteet ja pultin pää on voideltava. Jos ruuvia ei voidella huolellisesti, se löysyy.

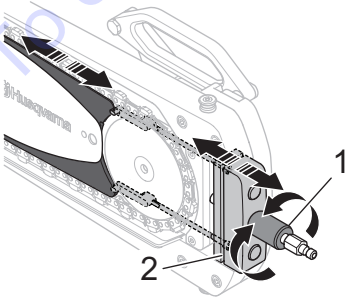


- 4 Kiristä aina ruuvi kiristysmomenttiin 20 Nm (15 ft-lbs).



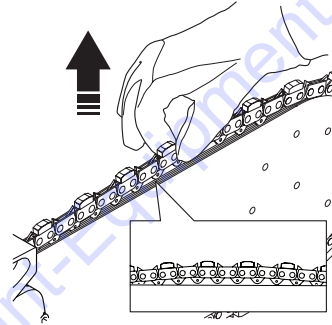
Teräketju

- 1 Löysennä ketjun kireyttä avaamalla kahva (1) kokonaan.



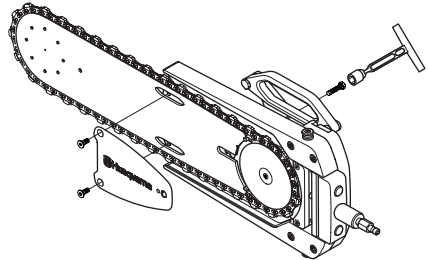
- 2 Vapauta kiristysmekanismi (2) vetämällä ketjusta ja irrota ketju.
- 3 Tarkista ketju vaurioiden ja kulumisen varalta. Asenna tarvittaessa uusi ketju terälevyyn.
- 4 Ketjun kireyttä säädetään kahvalla (1).

HUOM! Tämän koneen oikea timanttiketjun kireys on erilainen kuin moottorisahoissa. Oikein kiristetty ketju on kireä terälevyn kohdalta ja muodostaa sen ympärille täydellisen ympyrän. Kiristämisen jälkeen ketjua on voitava nostaa ylös niin, että ketjun ohjaimet ovat rinnakkain terälevyn kanssa. Lisäksi ketjua on voitava liikuttaa helposti.

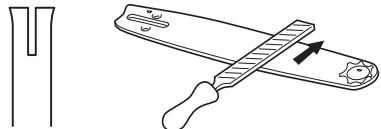


Terälevy

- 1 Irrota terälevyn kiinnitysruuvi 13 mm:n T-avaimella.



- 2 Irrota 2 ruuvia mukana toimitetulla kuusiokoloavaimella. Säilytä ruuvit. Jos ruuvit on vaihdettava, käytä varaosaluettelossa (IPL) kuvattuja ruuveja.
- 3 Irrota terälevy ja tarkista se kulumisen varalta.
- 4 Tarkista, onko terälevyn reunoilla jäystettä. Poista tarvittaessa viilaamalla.

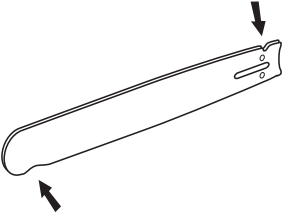


KUNNOSSAPITO

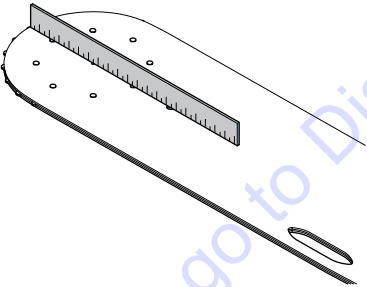
- 5 Tarkista, onko terälevyn ura huomattavan kulunut. Vaihda terälevy tarvittaessa.



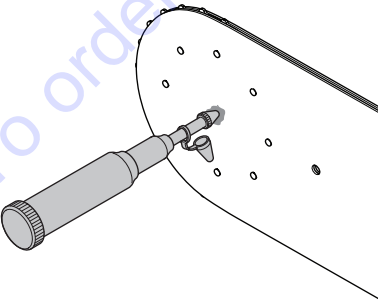
- 6 Tarkista, onko terälevyn kärki kulunut epätasaisesti tai huomattavasti. Jos terälevyn kärkisäteen päähän terälevyn alapuolelle on tullut kuoppa, olet sahanut liian löysällä teräketjulla. Terälevyn käyttöikää voi pidentää muuttamalla ketjun pyörimissuuntaa kaukosäätimellä. Katso lisätietoja Husqvarna-latauslaitteen käyttöohjekirjasta.



- 7 Tarkista viivaimella, ettei terälevy ole taittunut. Aseta viivin terälevyn kärkeä vasten. Viivaimen on oltava kohdakkain terälevyn kanssa.

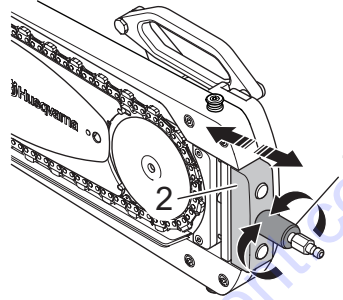


- 8 Voitele terälevy ja timanttiketju päivittäin.

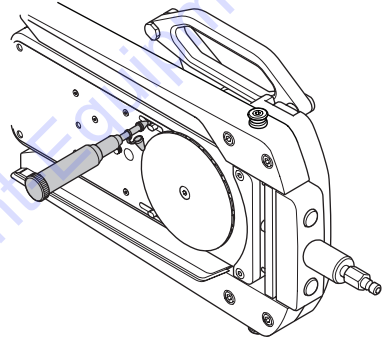


Ketjun kiristystoiminto

- 1 Tarkista joustavuus vetämällä harmaasta lohkokosta.

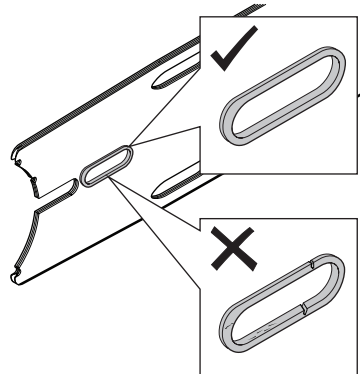


- 2 Puhdista aukot ja rasvaa ne.



Tiivistysrenkas

- 1 Tarkasta tiivisteiden kuluminen. Vaihda tarvittaessa.

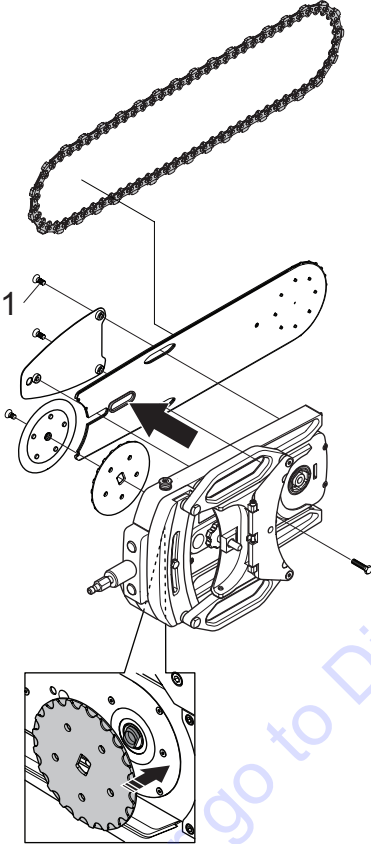


- 2 Puhdista kaikki pinnat.

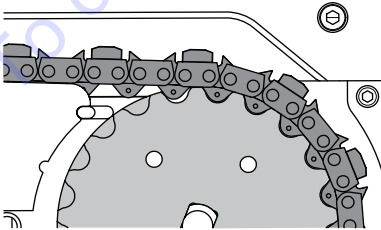
KUNNOSSAPITO

Asentaminen huollon jälkeen

- 1 Aseta vetopyörä käyttöakseliin.
- 2 Asenna kuvan mukaisesti.



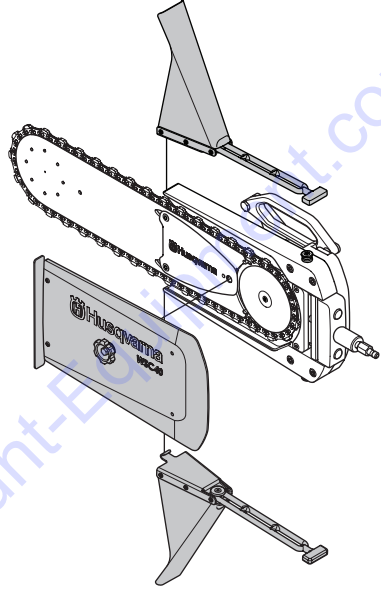
- 3 Kiristä kaksi ruuvia (1) kiristysmomenttiin 20 Nm.
- 4 Aseta ketju terälevyyn ja varmista, että ketju seuraa tarkasti kärkipyörää ja vetopyörää.



- 5 Kun vetopyörä on löysennetty, ruuvi, kierteet ja pultin pää on voideltava. Jos ruuvia ei voidella huolellisesti,

se löystyy. Kiristä aina ruuvi kiristysmomenttiin 20 Nm (15 ft-lbs).

- 6 Säädä ketjun kireyttä kääntönupilla. Tarkasta ketjun kireys. Kiristä kiinnityslevy pultilla. Käytä kiristysmomenttia 20 Nm (15 ft-lbs).
- 7 Vaihda kansi. Kiristä nuppi varovaisesti käsin.



VIANMÄÄRITYS

Vianetsintäkaavio



VAROITUS! Jos huoltotoimet tai vianmääritys eivät vaadi koneen pitämistä päällä, moottori on sammutettava ja pysäytyskytkin laitettava STOP-asentoon.

Ongelma	Todennäköinen syy	Mahdollinen ratkaisu
Koneen toiminta on raskasta tai se ei työnnä materiaaliin.	Ketju tai terälevy on kulunut.	Tarkista ja vaihda tarvittaessa.
	Ketjusta on vapautettava uusia timantteja.	Muuta ketjun pyörimissuuntaa.
Sahan linja on vino.	Ketju tai terälevy on kulunut.	Tarkista ja vaihda tarvittaessa.
		Oikaise kahva tai vaihda se uuteen.
Saha toimii raskaasti myös materiaalin ulkopuolella.	Voitelukohdassa on liikaa rasvaa.	Anna sahan pyöriä materiaalin ulkopuolella minuutin ajan.
	Virheellinen asennus.	Tarkista, onko seuraavat osat asennettu oikein: kiinnityslevy, vetopyörä, ketju, terälevy ja akseli.
	Ruoste tai korroosio.	Voitele rasvalla. Vaihda osat, jotka ovat pahasti syöpyneitä.
Terälevy tärisee tietyillä nopeuksilla.	Käyttöpyörä kulunut.	Tarkista ja vaihda tarvittaessa.
Kone tärisee liikaa	Timanttiketju on asennettu väärin.	Tarkista myös, että terälevy ja timanttiketju on asennettu oikein ja ettei niissä ole vaurioita. Katso ohjeet kohdista Timanttiketjut ja Huolto.
Ketju tai terälevy on kulunut epänormaalilla tavalla.	Sahatessa on käytetty liian pientä vesimäärää.	Vaihda timanttiketju ja tarkista sen kunto.
	Liian suuri lähtöteho PP 480- tai PP 490 -laitteessa.	Varmista, että ketjusahaustila on valittu kauko-ohjaimessa. Jos tilaa ei ole, ota yhteys Husqvarnan huoltoliikkeeseen ohjelmiston päivitystä varten.
	Virheellinen ketjun kireys	Sääda ketjun kireyttä.
	Liikevara tai virheellinen asennus.	Liikuta konetta eteen ja taakse ja tarkista, että kaikki osat on asennettu oikein ja että seinäkiinnitys on asianmukainen.
Syvyysuunnassa kone toimii kaaressa.	Terälevy on vaurioitunut.	Pysyvä vaurio. Vaihda terälevy.
	Sahaaminen on tehty ilman terällä tehtävää valmistelua.	Pysyvä vaurio. Vaihda terälevy.
	Olet osunut pitkittäiseen rautaan.	Siirrä sahaa sivusuunnassa ja tee uusi sahaus.

TEKNISET TIEDOT

WSC 40

Suurin tuloteho (kW)	9,2
Tulo enintään (r/min)	1200
Voimansiirto	Hammasspyöräkäyttö
Vääntö enintään (Nm)	230
Vaihteiston öljytilavuus (dl/fl oz)	1,5/5
Jäähdytysveden paine enintään (bar/PSI)	10/145
Suosittelun veden vähimmäisvirtausnopeus (l/min / gal/min)	3,5/1
Jäähdytysveden suurin lämpötila virtausnopeudella 3,5 l/min / 1 gal/min (C/F)	60/140

Paino

WSC 40 ja kaksi suojusta (kg/lbs)	19/42
Kokonaispaino kuljetuslaatikon kanssa (kg/lbs)	27/60

Melupäästöt (ks. huom. 1)

Äänitehotaso, mitattu L _w dB(A)	105
--	-----

Äänitasot (ks. huom. 2)

Äänenpainetaso käyttäjän korvan tasalla, dB(A)	83
--	----

Huom. 1: Melupäästöt ympäristöön äänitehona (L_w) EN 5027/A1 -standardin mukaisesti mitattuna. Mittauksen yleinen epävarmuus 2,5 dB(A).

Huom. 2: Äänenpainetaso standardin EN 15027/A1 mukaan.

Mittauksen yleinen epävarmuus 4 dB(A).

Suosittelun terävarustuksen tiedot, ketju

Terälevy ja timanttiketju	Timanttiketjun segmenttien määrä:	Timanttiketjun jako (mm/tuumaa)	Timanttiketjun segmentin leveys (mm/tuumaa)	Suurin ketjun nopeus (m/s / ft/s)
24" (0,444")	37	11,582/0,444	5,7/0,22	28/92

Suosittelun terävarustuksen tiedot, terälevy

Terälevyn pituus (mm/tuumaa)	Suurin suora leikkuusvyvyys (mm/tuumaa)	Suurin leikkuusvyvyys (mm/tuumaa)	Pienin leikkuuleveys (mm/tuumaa)	Terälevyn leveys ketjun kanssa (mm/tuumaa)	Terälevyn leveys (mm/tuumaa)
614/24	300/12	400/15,7	200/8	192/8	154/6

To order go to Discount-Equipment.com

**GB - Original Instructions, SE – Bruksanvisning i original,
DK – Originale instruktioner, NO – Originale instruksjoner, FI – Alkuperäiset ohjeet**

1157525-38, rev. 2



2017-05-03

TO PURCHASE THIS PRODUCT PLEASE CONTACT US



**Equipment Financing and
Extended Warranties Available**



**Discount-Equipment.com is your online resource for
commercial and industrial quality parts and equipment sales.**

561-964-4949

visit us on line @ www.discount-equipment.com

Select an option below to find your Equipment

Search by Manufacturer

Search by Product Type

Request a Quote

We sell worldwide for the brands: Genie, Terex, JLG, MultiQuip, Mikasa, Essick, Whiteman, Mayco, Toro Stone, Diamond Products, Generac Magnum, Airman, Haulotte, Barreto, Power Blanket, Nifty Lift, Atlas Copco, Chicago Pneumatic, Allmand, Miller Curber, Skyjack, Lull, Skytrak, Tsurumi, Husquvarna Target, Stow, Wacker, Sakai, Mi-T-M, Sullair, Basic, Dynapac, MBW, Weber, Bartell, Bennar Newman, Haulotte, Ditch Runner, Menegotti, Morrison, Contec, Buddy, Crown, Edco, Wyco, Bomag, Laymor, EZ Trench, Bil-Jax, F.S. Curtis, Gehl Pavers, Heli, Honda, ICS/PowerGrit, IHI, Partner, Imer, Clipper, MMD, Koshin, Rice, CH&E, General Equipment, Amida, Coleman, NAC, Gradall, Square Shooter, Kent, Stanley, Tamco, Toku, Hatz, Kohler, Robin, Wisconsin, Northrock, Oztec, Toker TK, Rol-Air, APT, Wylie, Ingersoll Rand / Doosan, Innovatech, Con X, Ammann, Mecalac, Makinex, Smith Surface Prep, Small Line, Wanco, Yanmar