



SPARE PARTS LIST

POWER PACKS

PP 480, 2011-06

Go to Discount-Equipment.com to order your parts



PARTS FINDER

**Search Website
by Part Number**



**Search Manual
Library For Parts
Manual & Lookup Part
Numbers – Purchase
or Request Quote**

Search Manuals

Enter your information to help us find the right parts manual for your machine.

* Brand:

* Model:

* Serial:

* Part Number:

SEARCH

**Can't Find Part or
Manual? Request Help
by Manufacturer,
Model & Description**

Parts Order Form

Please fill in the following information to help us find the right part for your machine.

MANUFACTURER:

MODEL:

DESCRIPTION:

DATE:

TIME:

PHONE:

EMAIL:

ADDRESS:

CITY:

STATE:

ZIP:

COUNTRY:

SEARCH

Discount-Equipment.com is your online resource for quality parts & equipment.

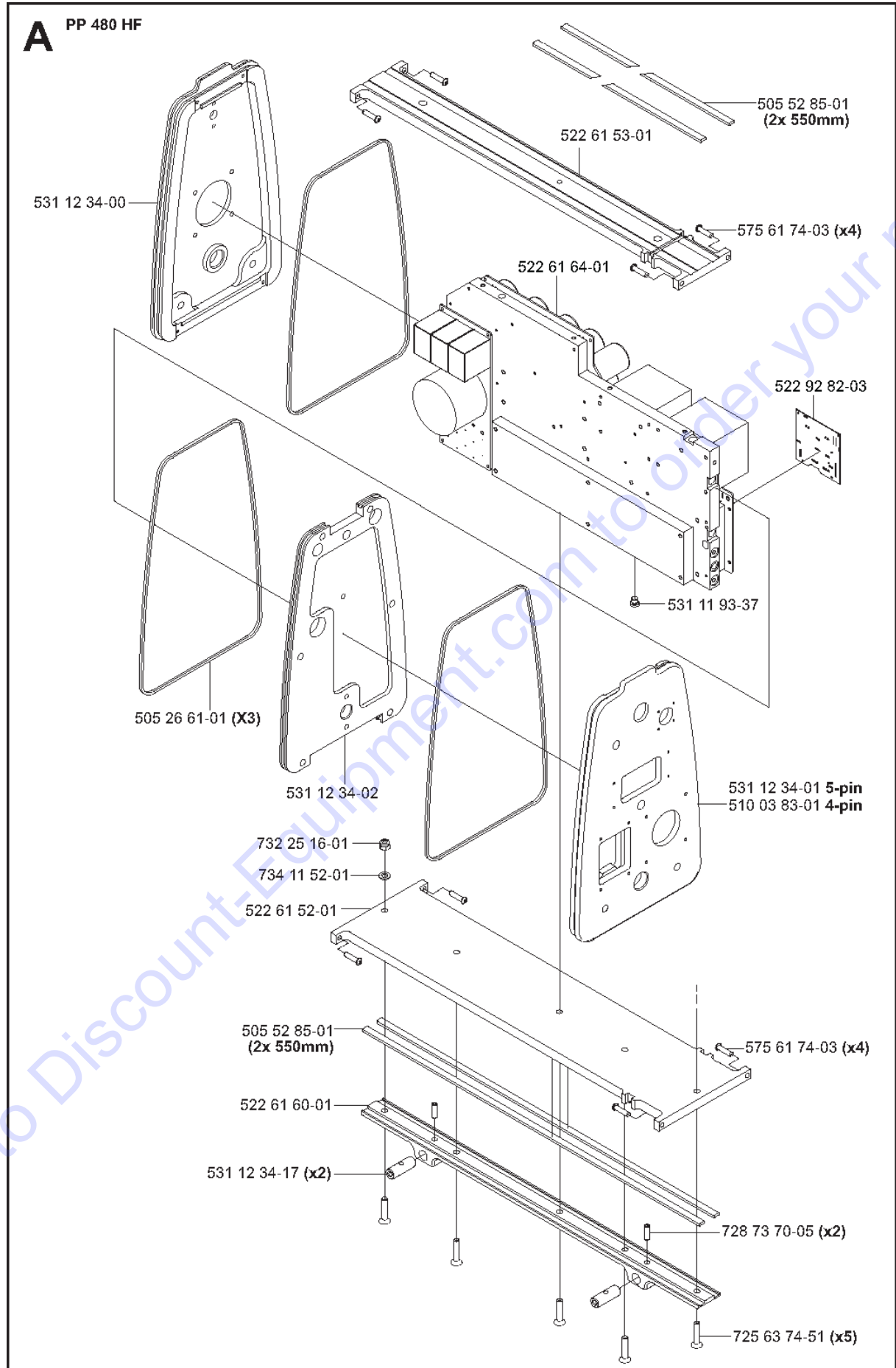
Florida: **561-964-4949** Outside Florida TOLL FREE: **877-690-3101**

Need parts?

Click on this link: <http://www.discount-equipment.com/category/5443-parts/> and choose one of the options to help get the right parts and equipment you are looking for. Please have the machine model and serial number available in order to help us get you the correct parts. If you don't find the part on the website or on one of the online manuals, please fill out the request form and one of our experienced staff members will get back to you with a quote for the right part that your machine needs.

We sell worldwide for the brands: Genie, Terex, JLG, MultiQuip, Mikasa, Essick, Whiteman, Mayco, Toro Stone, Diamond Products, Generac Magnum, Airman, Haulotte, Barreto, Power Blanket, Nifty Lift, Atlas Copco, Chicago Pneumatic, Allmand, Miller Curber, Skyjack, Lull, Skytrak, Tsurumi, Husquvarna Target, Stow, Wacker, Sakai, Mi-T-M, Sullair, Basic, Dynapac, MBW, Weber, Bartell, Bennar Newman, Haulotte, Ditch Runner, Menegotti, Morrison, Contec, Buddy, Crown, Edco, Wyco, Bomag, Laymor, EZ Trench, Bil-Jax, F.S. Curtis, Gehl Pavers, Heli, Honda, ICS/PowerGrit, IHI, Partner, Imer, Clipper, MMD, Koshin, Rice, CH&E, General Equipment, Amida, Coleman, NAC, Gradall, Square Shooter, Kent, Stanley, Tamco, Toku, Hatz, Kohler, Robin, Wisconsin, Northrock, Oztec, Toker TK, Rol-Air, APT, Wylie, Ingersoll Rand / Doosan, Innovatech, Con X, Ammann, Mecalac, Makinex, Smith Surface Prep, Small Line, Wanco, Yanmar

A PP 480 HF

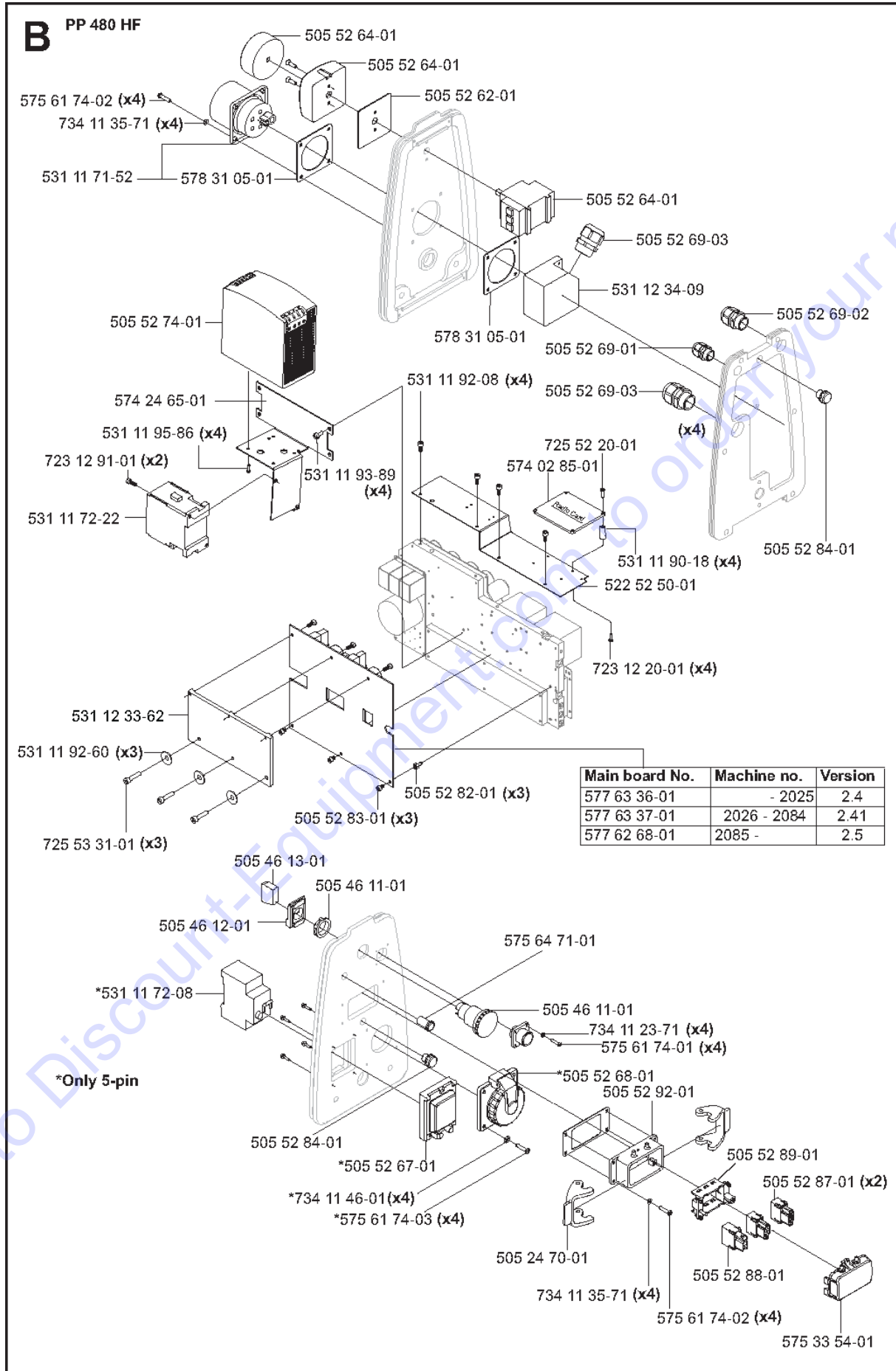


CONVERTER

PP 480, 2011-06

Part No	Description	Remark	QTY KIT
505 26 61-01	O-RING		1
505 52 85-01	SEALING STRIP		1
510 03 83-01	GABLE		1
522 61 52-01	BASEPLATE		1
522 61 53-01	SUPPORT PLATE		1
522 61 60-01	GABLE		1
522 61 64-01	PRINTED CIRCUIT ASSY		1
522 92 82-03	PRINTED CIRCUIT ASSY		1
531 11 93-37	PLUG		1
531 12 34-00	COVER		1
531 12 34-01	COVER		1
531 12 34-02	WALL		1
575 61 74-03	SCREW		1
725 63 74-51	SCREW		1
728 73 70-05	STOP SCREW		1
732 25 16-01	HEXAGON LOCKING NUT		1
734 11 52-01	WASHER		1

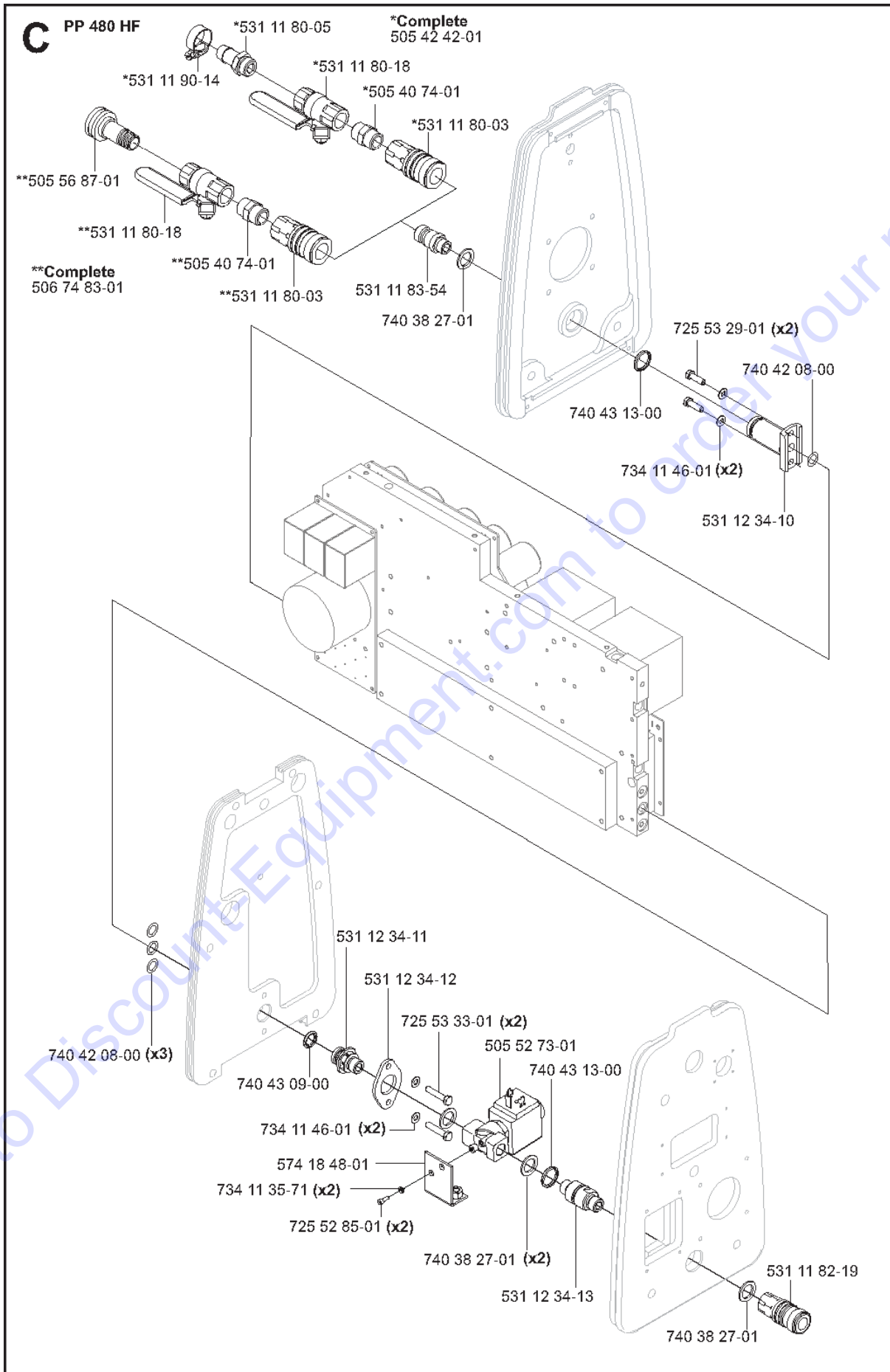
Go to Discount-Equipment.com to order your parts



ELECTRICAL

PP 480, 2011-06

Part No	Description	Remark	QTY KIT
505 24 70-01	SHACKLE		1
505 46 11-01	SWITCH		1
505 46 12-01	ADAPTER		1
505 46 13-01	CONTACT		1
505 52 62-01	GASKET KIT		1
505 52 64-01	SWITCH		1
505 52 67-01	SHUTTER		1
505 52 68-01	SOCKET		1
505 52 69-01	CABLE GROMMET		1
505 52 69-02	CABLE GROMMET		1
505 52 69-03	CABLE GROMMET		1
505 52 74-01	TRANSFORMER		1
505 52 82-01	SPACER		1
505 52 83-01	SCREW		1
505 52 84-01	VALVE		1
505 52 87-01	CONSOLE		1
505 52 88-01	CONSOLE		1
505 52 89-01	FRAME		1
505 52 92-01	CONTACT		1
522 52 50-01	ATTACHMENT PLATE		1
531 11 71-52	HOLDER		1
531 11 72-08	GUARD		1
531 11 72-22	CONTACTOR		1
531 11 90-18	SPACER		1
531 11 92-08	SCREW		1
531 11 92-60	WASHER		1
531 11 93-89	SCREW		1
531 11 95-86	SCREW		1
531 12 33-62	PLATE		1
531 12 34-09	CAP		1
574 02 85-01	PRINTED CIRCUIT ASSY		1
574 24 65-01	ANGLE BRACKET		1
575 33 54-01	COVER		1
575 61 74-01	SCREW		1
575 61 74-02	SCREW		1
575 61 74-03	SCREW		1
575 64 71-01	LAMP		1
577 63 36-01	PRINTED CIRCUIT ASSY		1
577 63 37-01	PRINTED CIRCUIT ASSY		1
578 31 05-01	SEALING		1
677 62 68-01	TBD		1
723 12 20-01	SCREW SLCHM		1
723 12 91-01	SCREW SLCHM		1
725 52 20-01	SCREW IHSCM		1
725 53 31-01	SCREW IHSCM		1
734 11 23-71	WASHER		1
734 11 35-71	WASHER		1
734 11 46-01	WASHER		1



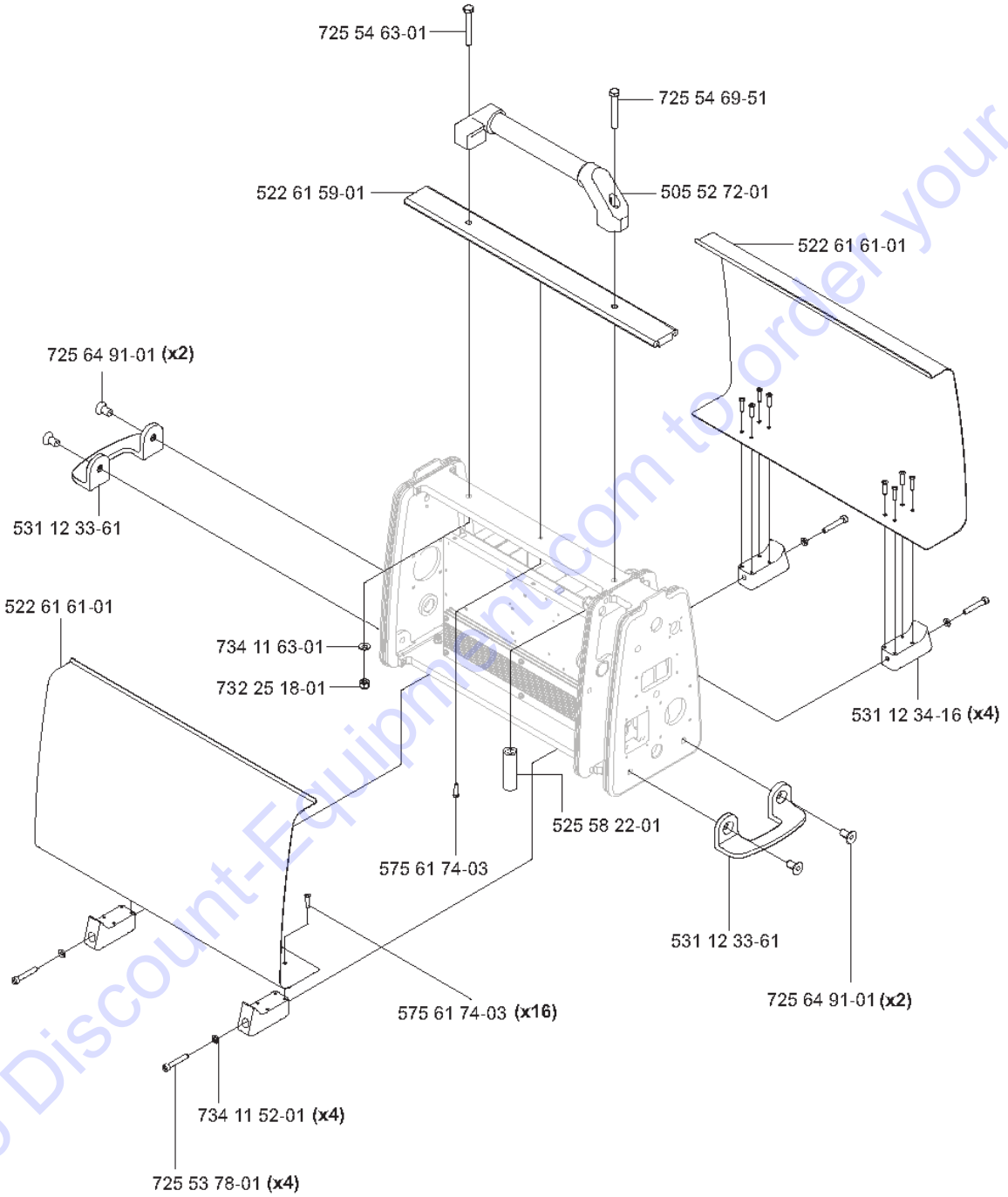
WATER SYSTEM

PP 480, 2011-06

Part No	Description	Remark	QTY KIT
505 40 74-01	NIPPLE		1
505 42 42-01	VALVE ASSY		1
505 52 73-01	VALVE		1
505 56 87-01	CONNECTION		1
506 74 83-01	VALVE ASSY		1
531 11 80-03	COUPLING		1
531 11 80-05	NIPPLE		1
531 11 80-18	VALVE		1
531 11 82-19	QUICK COUPLING		1
531 11 83-54	NIPPLE		1
531 11 90-14	CLAMP		1
531 12 34-10	INLET		1
531 12 34-11	SPACER		1
531 12 34-12	PLATE		1
531 12 34-13	VALVE		1
574 18 48-01	ANGLE BRACKET		1
725 52 85-01	SCREW IHSCM		1
725 53 29-01	SCREW IHSCM		1
725 53 33-01	SCREW IHSCM		1
734 11 35-71	WASHER		1
734 11 46-01	WASHER		1
740 38 27-01	SEALING WASHER		1
740 42 08-00	O-RING		1
740 43 09-00	O-RING		1
740 43 13-00	O-RING		1

Go to Discount-Equipment.com to order your parts

D PP 480 HF

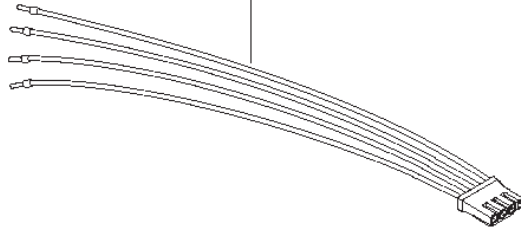


Part No	Description	Remark	QTY KIT
505 52 72-01	HANDLE		1
522 61 59-01	GABLE		1
522 61 61-01	PANEL		1
525 58 22-01	SPACER		1
531 12 33-61	PROTECTOR BAR		1
531 12 34-16	FOOTPLATE		1
575 61 74-03	SCREW		1
725 53 78-01	SCREW IHSCM		1
725 54 63-01	SCREW IHSCM		1
725 54 69-51	SCREW IHSCM		1
725 64 91-01	SCREW IHCSFM		1
732 25 18-01	HEXAGON LOCKING NUT		1
734 11 52-01	WASHER		1
734 11 63-01	WASHER		1

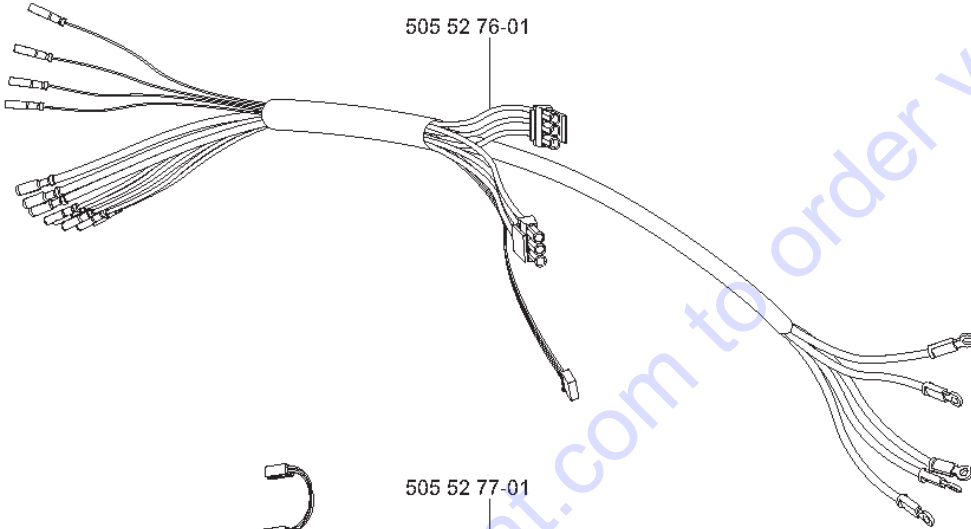
Go to Discount-Equipment.com to order your parts

E PP 480 HF

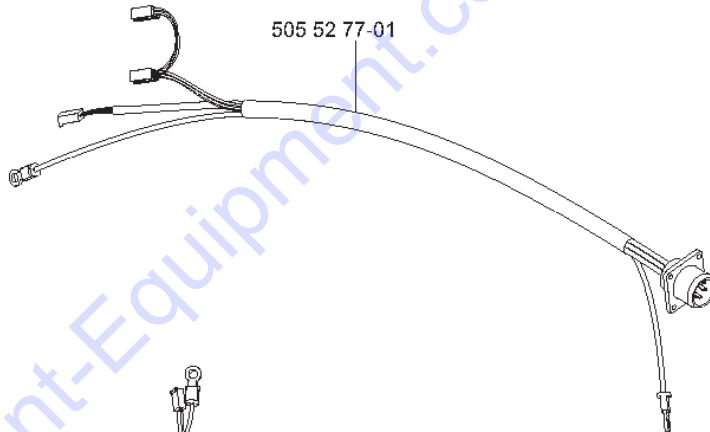
505 25 71-01



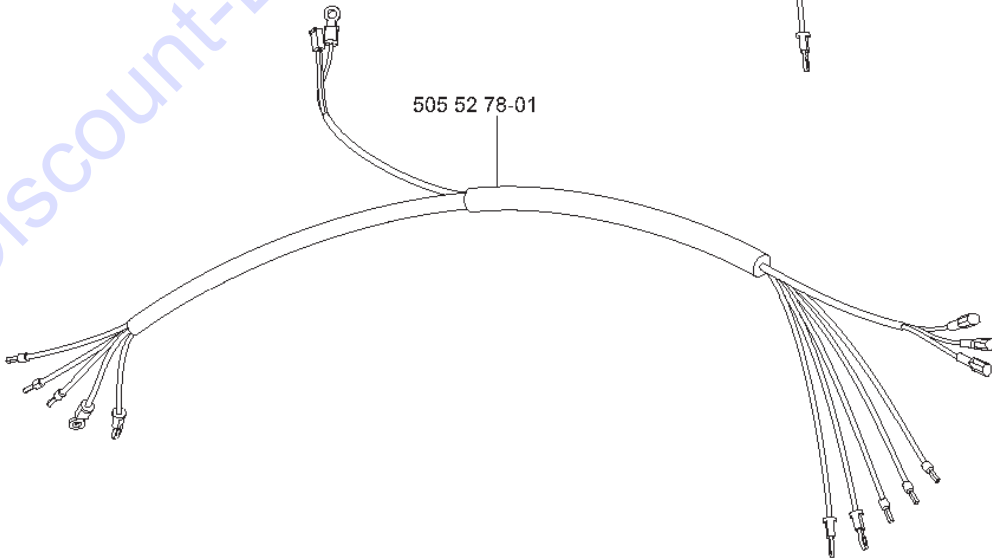
505 52 76-01



505 52 77-01



505 52 78-01



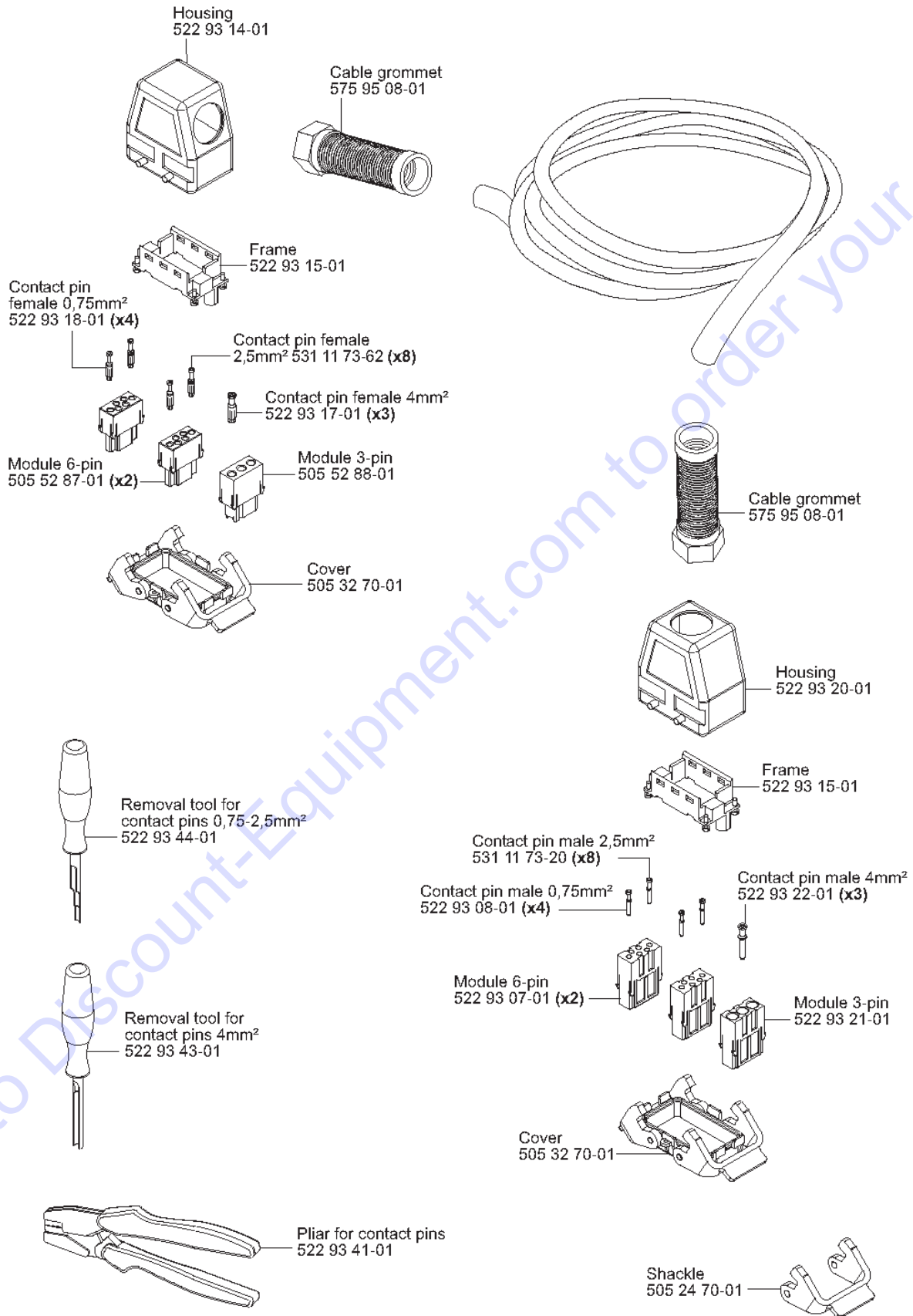
Go to Discount-Equipment.com to order your parts

Part No	Description	Remark	QTY KIT
505 25 71-01	CABLE KIT		1
505 52 76-01	CABLE KIT		1
505 52 77-01	CABLE KIT		1
505 52 78-01	CABLE KIT		1

Go to Discount-Equipment.com to order your parts

F PP 480 HF

Cable complete 531 12 32-48



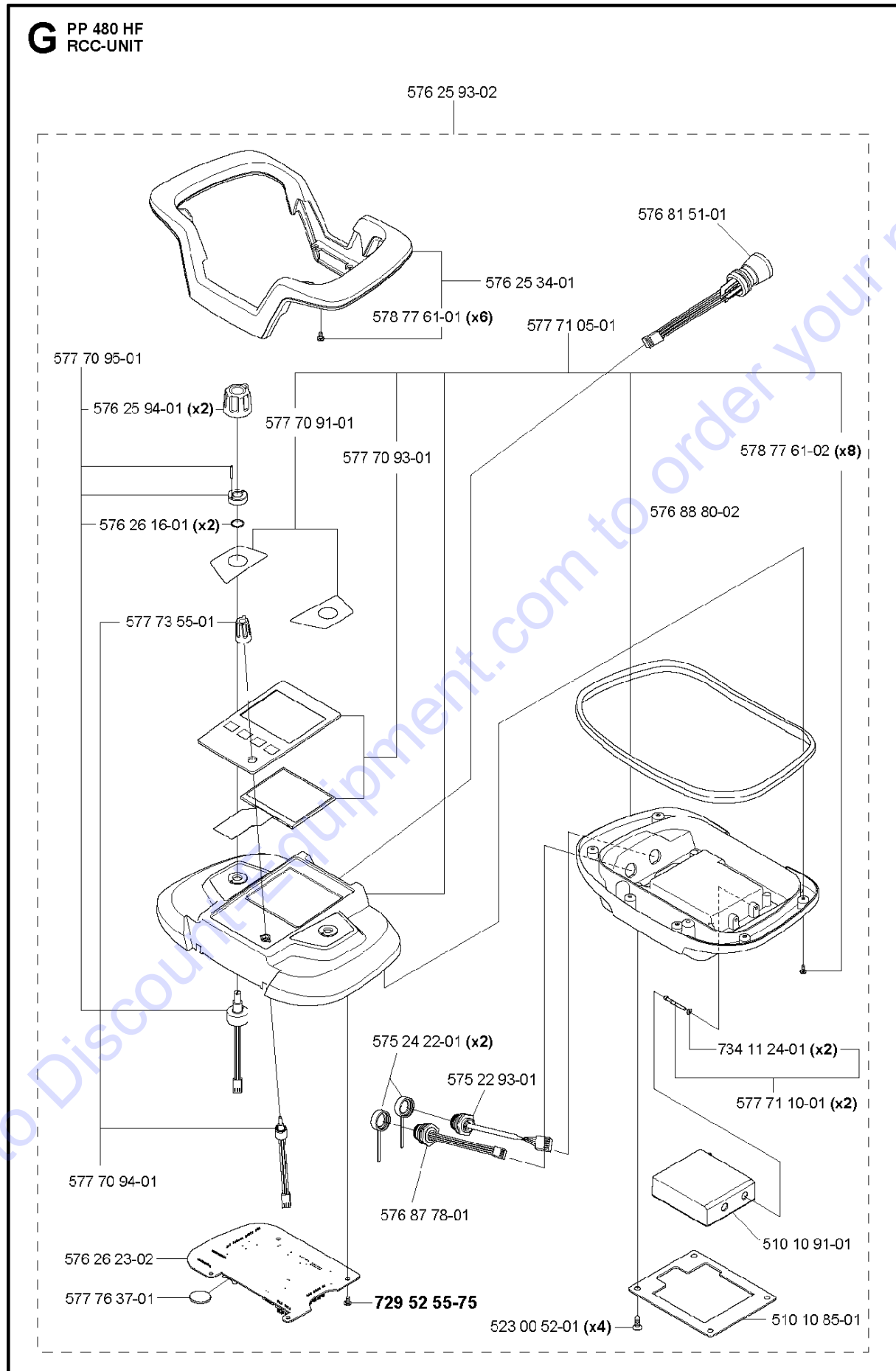
ELECTRICAL

PP 480, 2011-06

Part No	Description	Remark	QTY KIT
505 24 70-01	SHACKLE		1
505 32 70-01	COVER		1
505 52 87-01	CONSOLE		1
505 52 88-01	CONSOLE		1
522 93 07-01	CONSOLE		1
522 93 08-01	TERMINAL		1
522 93 14-01	COVER		1
522 93 15-01	FRAME		1
522 93 17-01	CONTACT		1
522 93 18-01	TERMINAL		1
522 93 20-01	COVER		1
522 93 21-01	CONSOLE		1
522 93 22-01	TERMINAL		1
522 93 41-01	TOOL		1
522 93 43-01	TOOL		1
522 93 44-01	TOOL		1
531 11 73-20	TERMINAL		1
531 11 73-62	TERMINAL		1
531 12 32-48	CABLE		1
531 12 32-48	CABLE		1
575 95 08-01	CABLE GROMMET		1

Go to Discount-Equipment.com to order your parts

G PP 480 HF
RCC-UNIT



RADIO REMOTE CONTROL COMPL

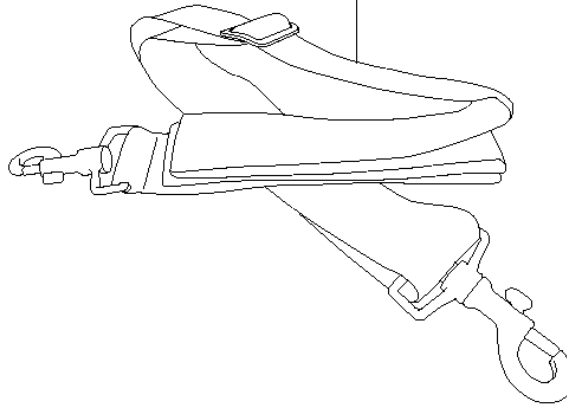
PP 480, 2011-06

Ref	Part No	Description	Remark	QTY KIT
510 10 85-01	510 10 85-01	PLATE		1
510 10 91-01	510 10 91-01	BATTERY		1
523 00 52-01	523 00 52-01	SCREW CRCSFT		1
575 22 93-01	575 22 93-01	CONTACT		1
575 24 22-01	575 24 22-01	LID		1
576 25 34-01	576 25 34-01	HANDLE ASSY		1
576 25 93-02	576 25 93-02	CONTROL UNIT		1
576 25 94-01	576 25 94-01	TURNING KNOB ASSY		1
576 26 16-01	576 26 16-01	O-RING		1
576 26 23-02	576 26 23-02	PCB ASSEMBLY		1
576 81 51-01	576 81 51-01	SWITCH		1
576 87 78-01	576 87 78-01	CONTACT		1
576 88 80-02	576 88 80-02	SEALING STRIP		1
577 70 91-01	577 70 91-01	DECAL		1
577 70 93-01	577 70 93-01	DISPLAY		1
577 70 94-01	577 70 94-01	CONTROL		1
577 70 95-01	577 70 95-01	CONTROL		1
577 71 05-01	577 71 05-01	COVER		1
577 71 10-01	577 71 10-01	SPRING PIN		1
577 73 55-01	577 73 55-01	KNOB		1
577 76 37-01	577 76 37-01	BATTERY		1
578 77 61-01	729 52 55-75	SCREW CRPANT		1
578 77 61-02	578 77 61-02	SCREW ITPANT		1
734 11 24-01	734 11 24-01	WASHER		1
729 52 55-75	729 52 55-75	SCREW CRPANT		1

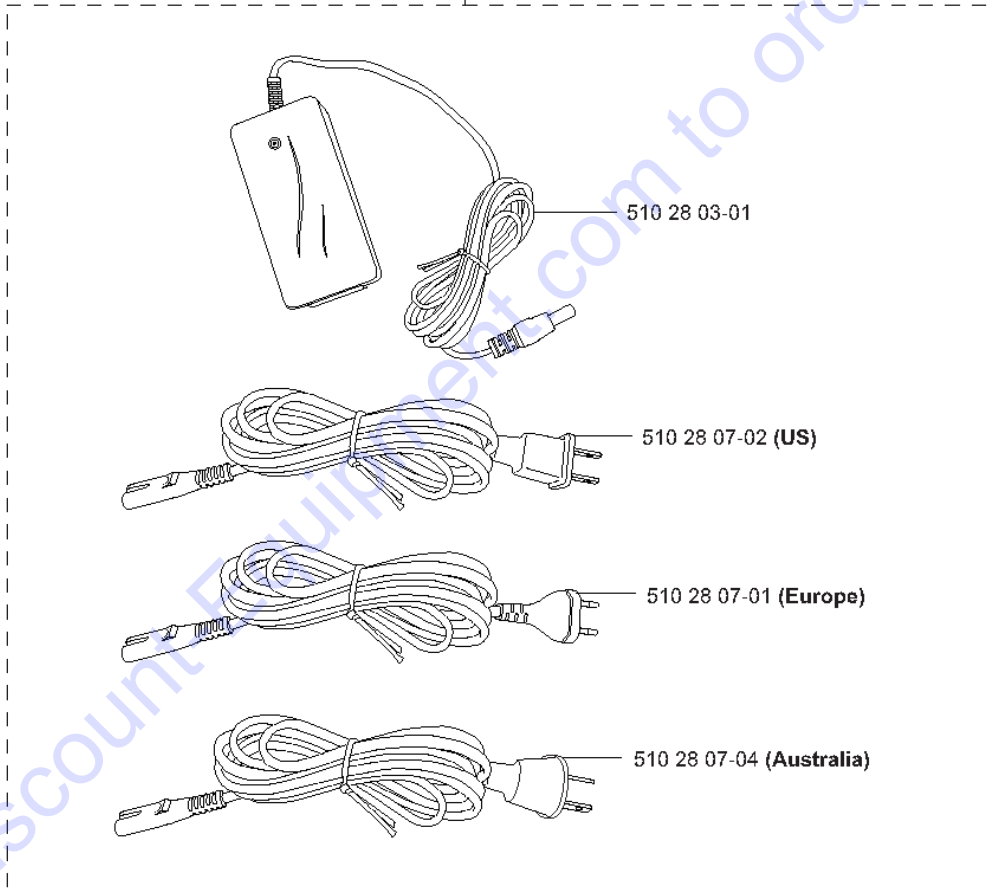
Go to Discount-Equipment.com to order your parts

H PP 480 HF
RCC-UNIT

506 29 76-61



510 28 50-04



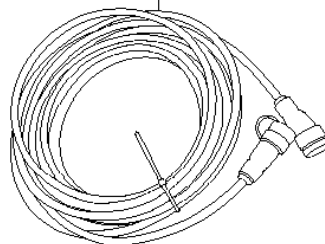
510 28 03-01

510 28 07-02 (US)

510 28 07-01 (Europe)

510 28 07-04 (Australia)

577 48 02-01



Go to DiscountEquipment.com to order your parts

RADIO REMOTE CONTROL

PP 480, 2011-06

Part No	Description	Remark	QTY KIT
506 29 76-61	SHOULDER STRAP		1
510 28 03-01	BATTERY		1
510 28 07-01	CABLE		1
510 28 07-02	CABLE		1
510 28 07-04	CABLE		1
510 28 50-04	BATTERY		1
577 48 02-01	CABLE ASSY		1

Go to Discount-Equipment.com to order your parts

PARTS FINDER

**Search Website
by Part Number**



**Search Manual
Library For Parts
Manual & Lookup Part
Numbers – Purchase
or Request Quote**

Search Manuals

Enter your information to help us find the right parts manual for your equipment.

* Brand:

* Model:

* Serial:

* Part Number:

SEARCH

**Can't Find Part or
Manual? Request Help
by Manufacturer,
Model & Description**

Parts Order Form

Please fill in the following information to help us find the right part for your equipment.

Manufacturer:	<input type="text"/>
Model:	<input type="text"/>
Description:	<input type="text"/>
Part Number:	<input type="text"/>
Quantity:	<input type="text"/>
Notes:	<input type="text"/>

Submit

Discount-Equipment.com is your online resource for quality parts & equipment.

Florida: **561-964-4949** Outside Florida TOLL FREE: **877-690-3101**

Need parts?

Click on this link: <http://www.discount-equipment.com/category/5443-parts/> and choose one of the options to help get the right parts and equipment you are looking for. Please have the machine model and serial number available in order to help us get you the correct parts. If you don't find the part on the website or on one of the online manuals, please fill out the request form and one of our experienced staff members will get back to you with a quote for the right part that your machine needs.

We sell worldwide for the brands: Genie, Terex, JLG, MultiQuip, Mikasa, Essick, Whiteman, Mayco, Toro Stone, Diamond Products, Generac Magnum, Airman, Haulotte, Barreto, Power Blanket, Nifty Lift, Atlas Copco, Chicago Pneumatic, Allmand, Miller Curber, Skyjack, Lull, Skytrak, Tsurumi, Husquvarna Target, Stow, Wacker, Sakai, Mi-T-M, Sullair, Basic, Dynapac, MBW, Weber, Bartell, Bennar Newman, Haulotte, Ditch Runner, Menegotti, Morrison, Contec, Buddy, Crown, Edco, Wyco, Bomag, Laymor, EZ Trench, Bil-Jax, F.S. Curtis, Gehl Pavers, Heli, Honda, ICS/PowerGrit, IHI, Partner, Imer, Clipper, MMD, Koshin, Rice, CH&E, General Equipment, Amida, Coleman, NAC, Gradall, Square Shooter, Kent, Stanley, Tamco, Toku, Hatz, Kohler, Robin, Wisconsin, Northrock, Oztec, Toker TK, Rol-Air, APT, Wylie, Ingersoll Rand / Doosan, Innovatech, Con X, Ammann, Mecalac, Makinex, Smith Surface Prep, Small Line, Wanco, Yanmar