



SPARE PARTS LIST

DRILLING EQUIPMENT

DM220, 2011-03

Go to Discount-Equipment.com to order your parts



PARTS FINDER

**Search Website
by Part Number**



**Search Manual
Library For Parts
Manual & Lookup Part
Numbers – Purchase
or Request Quote**

Search Manuals

Enter your information to help us find the right parts manual for your machine.

* Brand:

* Model:

* Serial:

* Part Number:

SEARCH

**Can't Find Part or
Manual? Request Help
by Manufacturer,
Model & Description**

Parts Order Form

Please fill in the following information to help us find the right part for your machine.

MANUFACTURER:

MODEL:

DESCRIPTION:

DATE:

TIME:

PHONE:

EMAIL:

ADDRESS:

CITY:

STATE:

ZIP:

NAME:

COMPANY:

PHONE:

EMAIL:

REQUEST FOR QUOTE

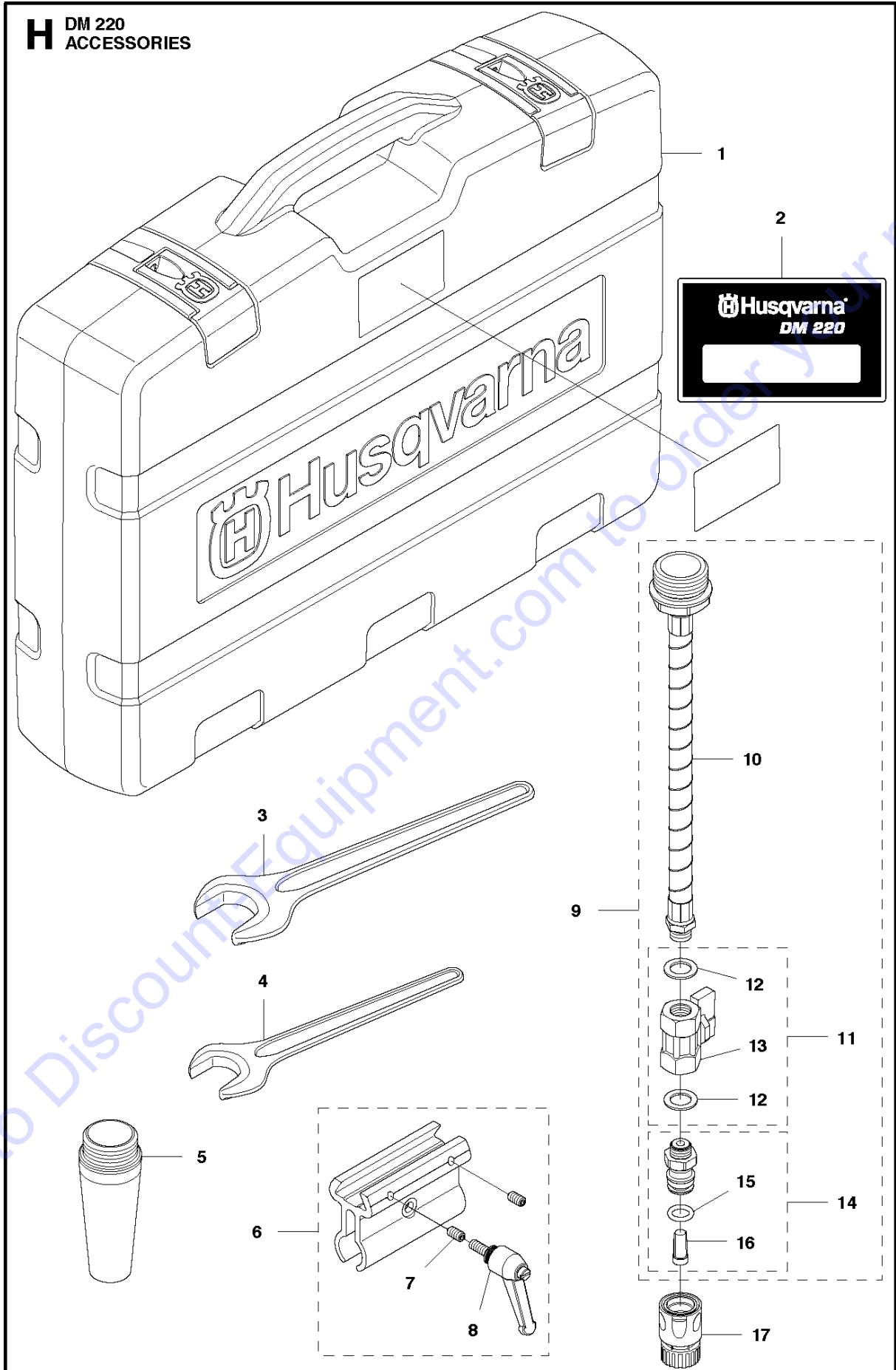
Discount-Equipment.com is your online resource for quality parts & equipment.

Florida: **561-964-4949** Outside Florida TOLL FREE: **877-690-3101**

Need parts?

Click on this link: <http://www.discount-equipment.com/category/5443-parts/> and choose one of the options to help get the right parts and equipment you are looking for. Please have the machine model and serial number available in order to help us get you the correct parts. If you don't find the part on the website or on one of the online manuals, please fill out the request form and one of our experienced staff members will get back to you with a quote for the right part that your machine needs.

We sell worldwide for the brands: Genie, Terex, JLG, MultiQuip, Mikasa, Essick, Whiteman, Mayco, Toro Stone, Diamond Products, Generac Magnum, Airman, Haulotte, Barreto, Power Blanket, Nifty Lift, Atlas Copco, Chicago Pneumatic, Allmand, Miller Curber, Skyjack, Lull, Skytrak, Tsurumi, Husquvarna Target, Stow, Wacker, Sakai, Mi-T-M, Sullair, Basic, Dynapac, MBW, Weber, Bartell, Bennar Newman, Haulotte, Ditch Runner, Menegotti, Morrison, Contec, Buddy, Crown, Edco, Wyco, Bomag, Laymor, EZ Trench, Bil-Jax, F.S. Curtis, Gehl Pavers, Heli, Honda, ICS/PowerGrit, IHI, Partner, Imer, Clipper, MMD, Koshin, Rice, CH&E, General Equipment, Amida, Coleman, NAC, Gradall, Square Shooter, Kent, Stanley, Tamco, Toku, Hatz, Kohler, Robin, Wisconsin, Northrock, Oztec, Toker TK, Rol-Air, APT, Wylie, Ingersoll Rand / Doosan, Innovatech, Con X, Ammann, Mecalac, Makinex, Smith Surface Prep, Small Line, Wanco, Yanmar



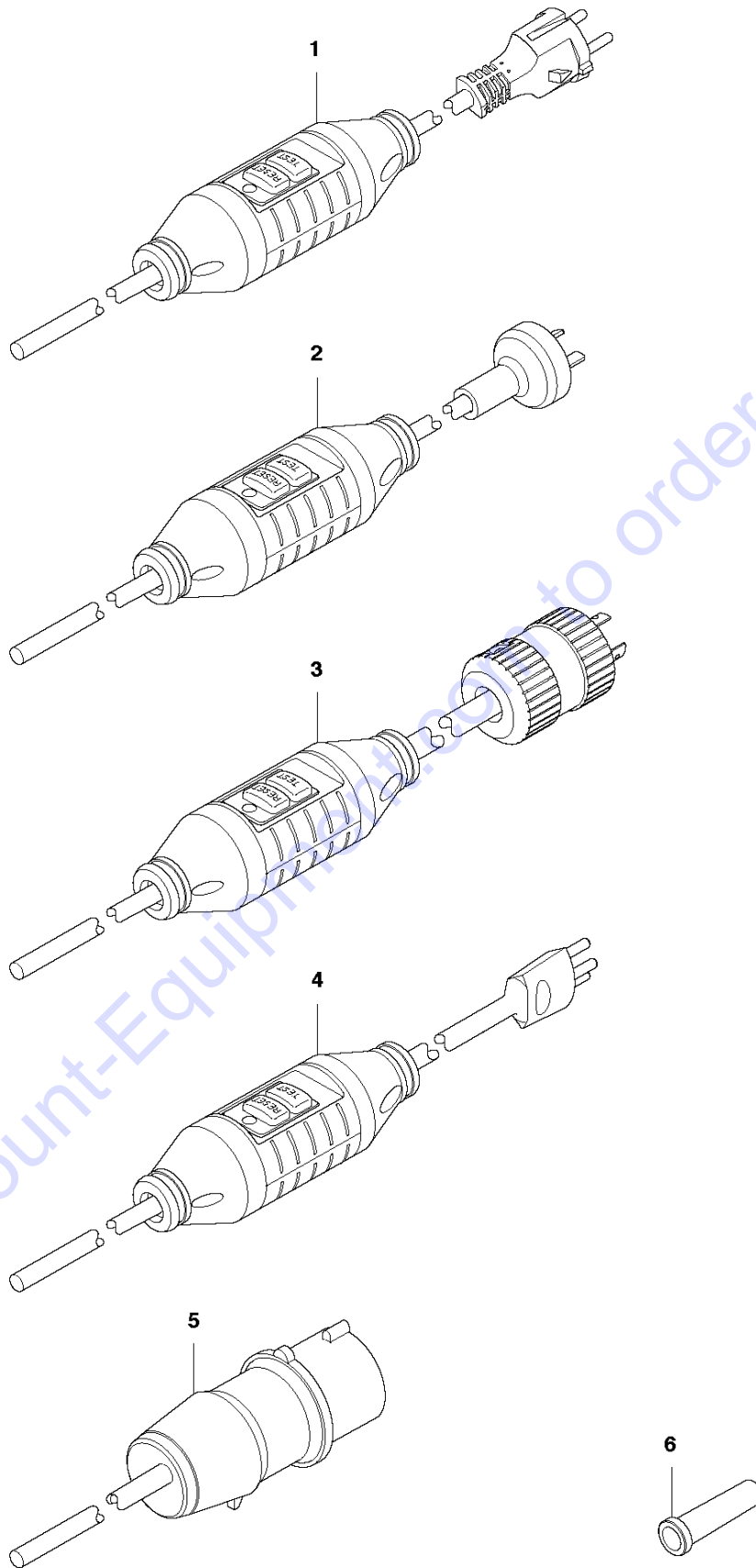
ACCESSORIES

DM220, 2011-03

Ref	Part No	Description	Remark	QTY	KIT
1	502 29 45-02	CARRYING CASE		1	
2	576 27 66-02	LABEL		1	
3	531 14 09-52	SPANNER	32 mm	1	
4	531 14 09-51	SPANNER	24 mm	1	
5	575 87 22-01	VACUUM KIT		1	
6	575 78 85-01	HOLDER ASSY		1	
7	542 13 97-68	SHSS. M8 X 6 DIN 916 GR12.9		2	6
8	576 02 49-01	HANDLE		1	6
9	502 30 44-06	HOSE ASSY		1	
10	510 12 59-03	HOSE KIT		1	9
11	510 19 59-01	VALVE KIT		1	9
12	531 07 42-60	FIBRE WASHER		2	11
13	502 61 70-01	VALVE		1	11
14	510 11 20-01	NIPPLE KIT		1	9
15	505 10 35-01	O-RING		1	14
16	506 29 88-01	FILTER		1	14
17	503 26 60-03	COUPLER	US	1	
17	503 26 60-04	COUPLER		1	

Go to Discount-Equipment.com to order your parts

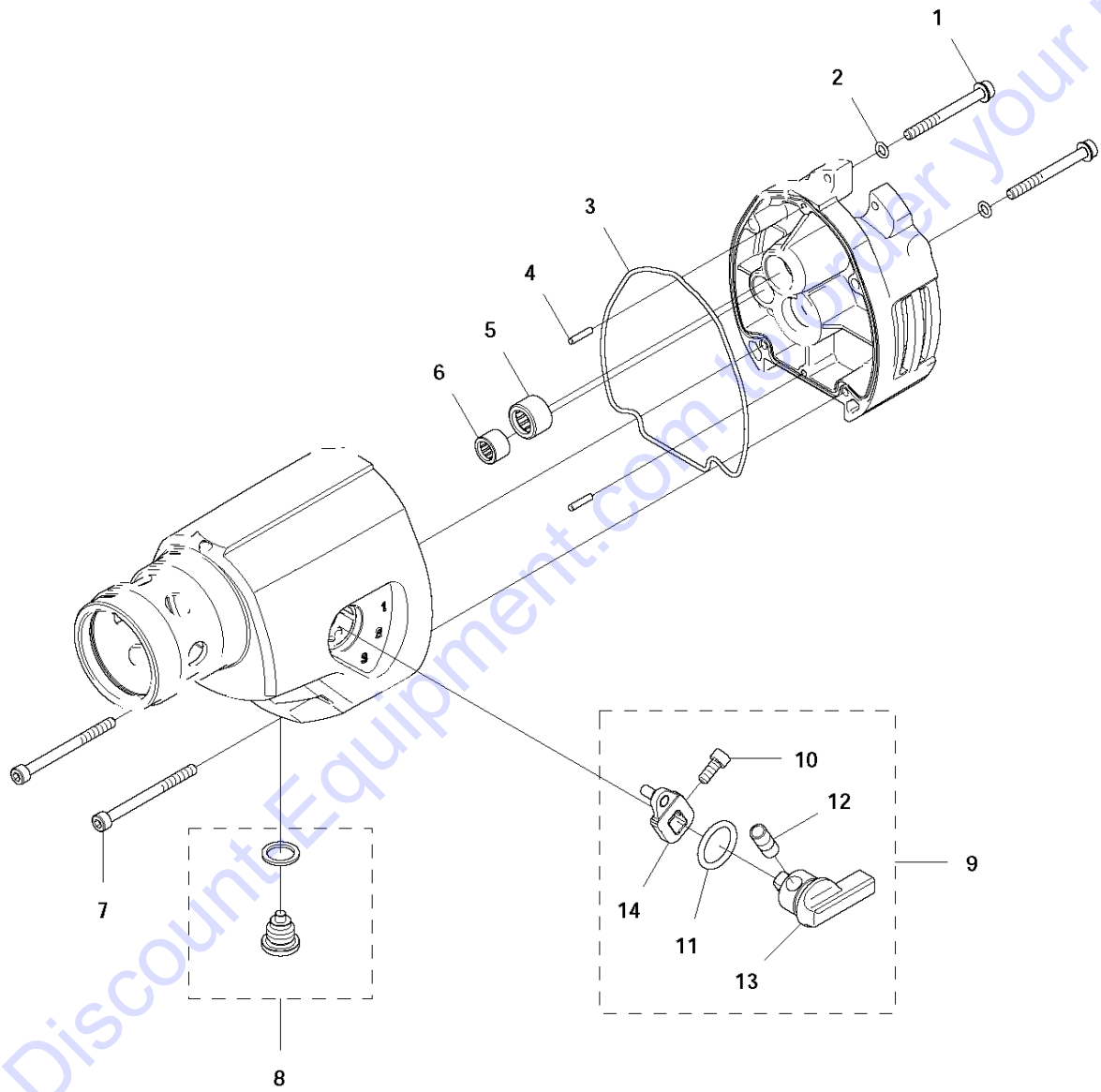
G DM 220
CABLES



Ref	Part No	Description	Remark	QTY KIT
1	505 44 33-05	CABLE	EU	1
2	510 18 13-06	CABLE		1
3	521 90 72-04	CABLE	AU	1
4	521 90 74-05	CABLE	CH	1
5	521 91 90-04	CABLE	UK	1
6	575 81 10-01	CABLE SLEEVE		1

Go to Discount-Equipment.com to order your parts

B DM 220
GEAR BOX

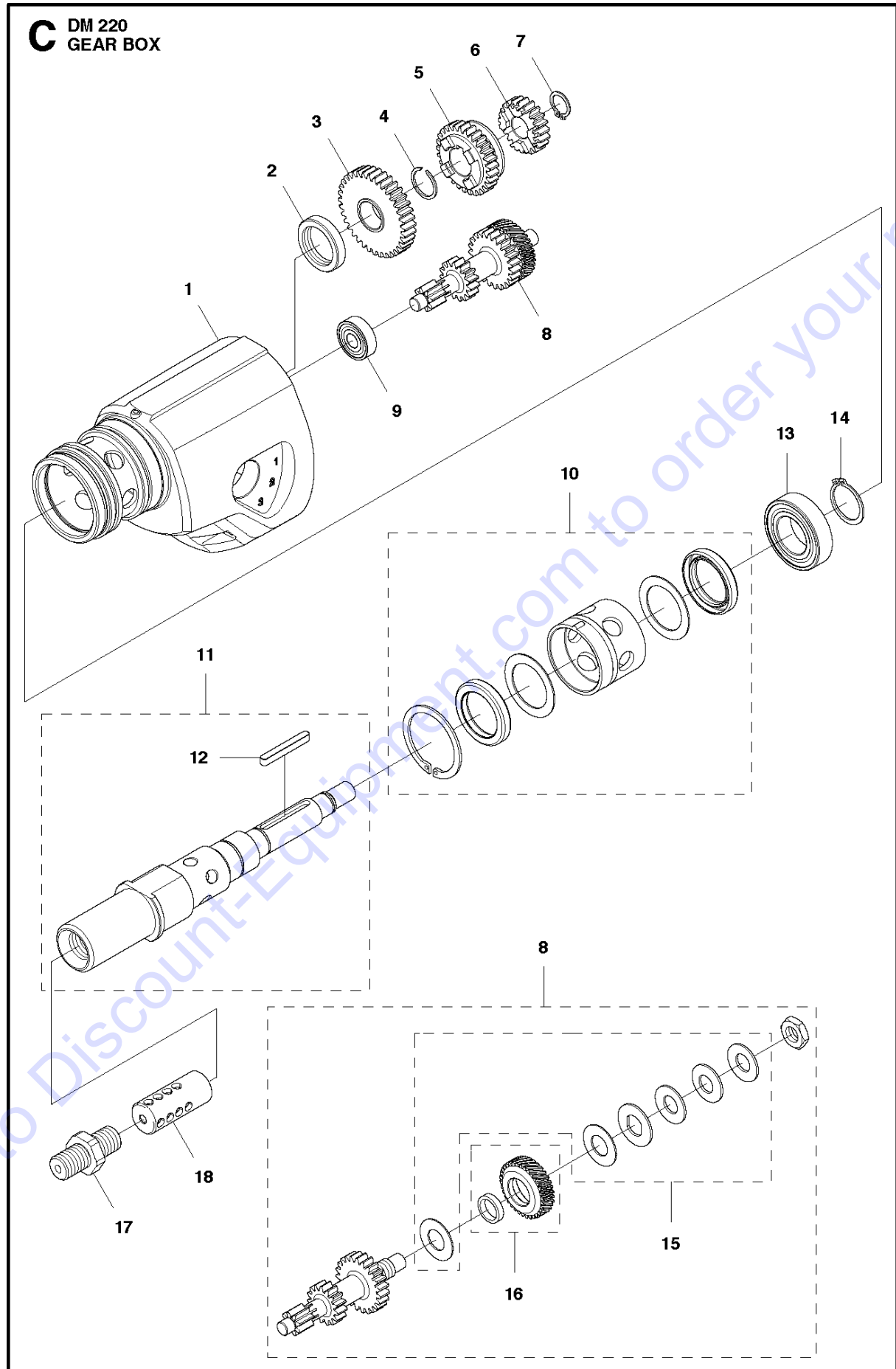


GEAR BOX

DM220, 2011-03

Ref	Part No	Description	Remark	QTY	KIT
1	503 20 74-50	SCREW		2	
2	740 42 03-00	O-RING		2	
3	574 37 63-01	SEAL		1	
4	720 12 32-50	PARALLEL PIN		2	
5	503 25 53-01	NEEDLE BEARING		1	
6	503 25 42-01	NEEDLE BEARING		1	
7	725 53 43-05	SCREW IHSCM		2	
8	525 48 10-01	OIL PLUG		1	
9	577 50 75-01	GEAR SHIFT LEVER		1	
10	725 53 27-01	SCREW IHSCM		1	9
11	740 44 04-00	O-RING		1	9
12	501 00 28-01	SPRING		1	9
13	577 41 81-01	GEAR SHIFT LEVER		1	9
14	578 06 10-01	LEVER		1	9

Go to Discount-Equipment.com to order your parts



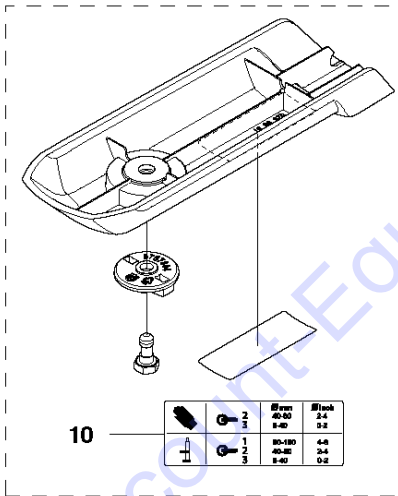
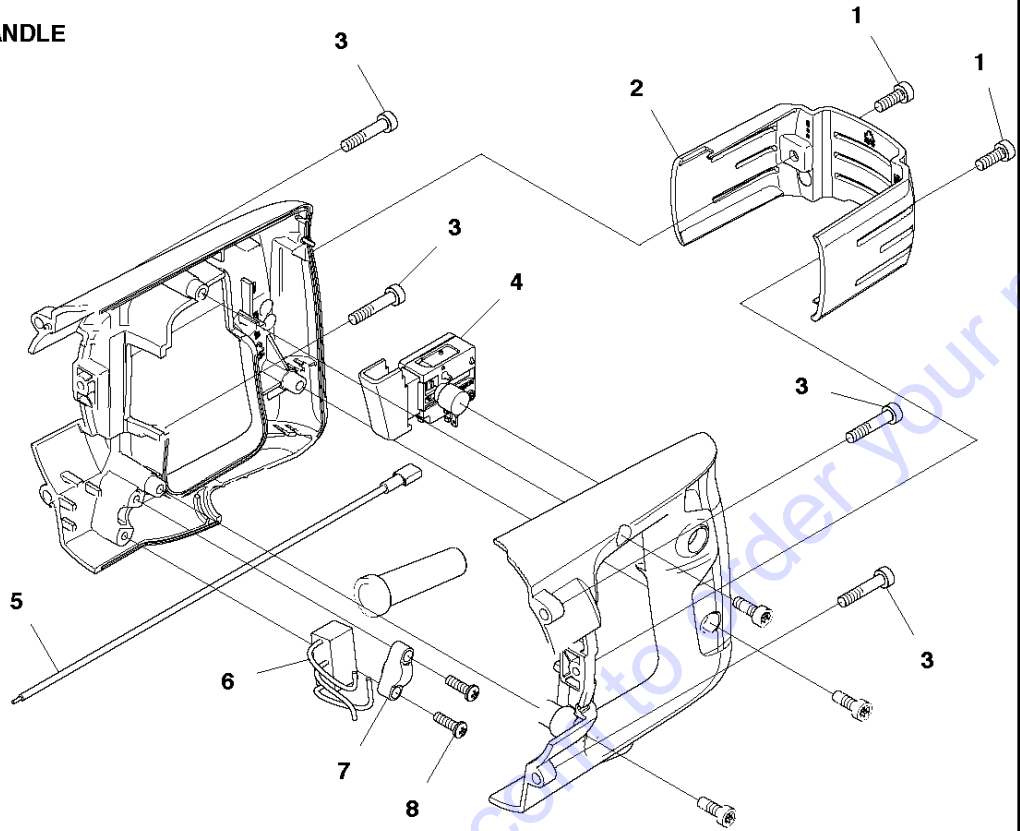
GEAR BOX

DM220, 2011-03

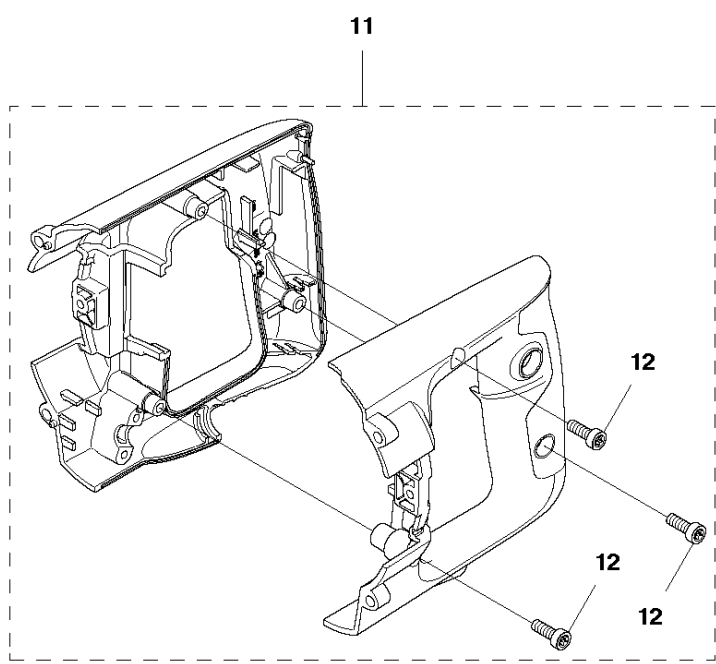
Ref	Part No	Description	Remark	QTY	KIT
1	525 29 67-01	GEAR HOUSING		1	
2	575 55 79-01	RADIAL SEAL		1	
3	544 12 48-01	GEAR WHEEL		1	
4	735 31 20-40	RETAINING RING		1	
5	544 12 46-01	GEAR WHEEL		1	
6	544 12 44-01	GEAR WHEEL		1	
7	735 31 16-00	CIRCLIP		1	
8	525 29 55-04	COUPLING		1	
9	738 22 99-27	BALL BEARING		1	
10	577 24 42-01	COLLECTOR		1	
11	577 24 38-01	SHAFT	"1/2"'''	1	
11	577 24 38-02	SHAFT	"5/8"''' USA"	1	
12	544 38 16-01	KEY		1	11
13	738 21 05-14	BALL BEARING		1	
14	735 31 26-00	CIRCLIP		1	8
15	525 40 20-01	CLUTCH ASSY		1	8
16	504 57 11-02	GEAR WHEEL ASSY		1	
17	504 09 46-01	ADAPTER	US Only	1	
18	581 09 41-01	STRAINER		1	
18	581 09 41-02	STRAINER		1	

Go to Discount-Equipment.com to order your parts

F DM 220
REAR HANDLE



Part No.	Qty	Part Name	Part No.	Part Name
10	2	SCREW	14	SCREW
	3	SCREW	15	SCREW
	1	SCREW	16	SCREW
	2	SCREW	17	SCREW
	1	SCREW	18	SCREW



Go to DiscountEquipment.com to order your parts

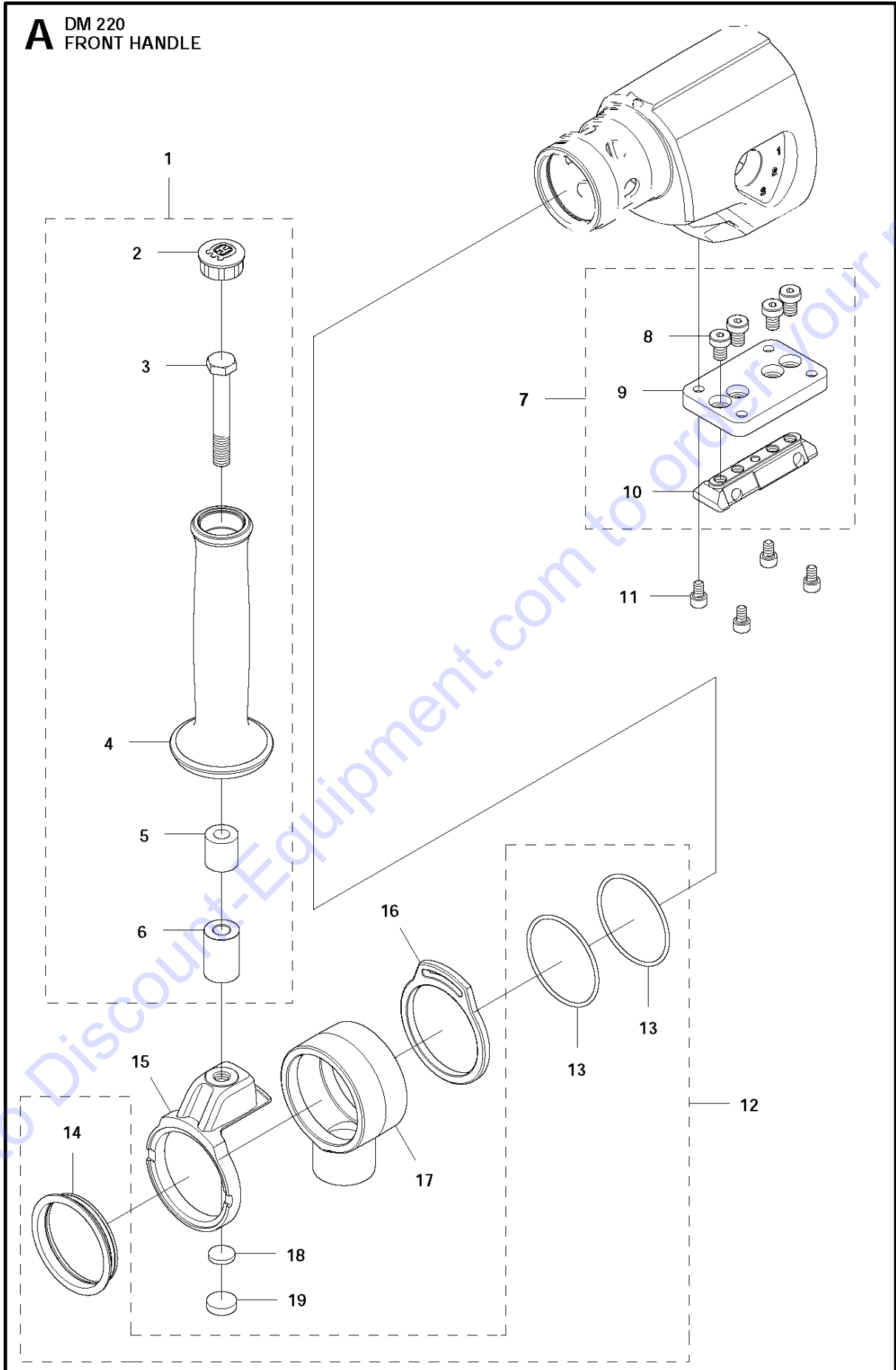
HANDLE

DM220, 2011-03

Ref	Part No	Description	Remark	QTY	KIT
1	504 90 94-10	SCREW ITXSCT		2	
2	525 44 40-01	COVER LID		1	
3	504 90 94-25	SCREW ITXSCT		4	
4	525 54 21-01	TRIGGER		1	
5	576 84 54-01	CABLE		1	
6	504 54 63-01	CAPACITOR		1	
7	544 12 32-01	CABLE CLAMP		1	
8	729 52 93-71	SCREW CRPANT		2	
9	525 44 30-01	COVER		1	
10	575 34 73-01	LABEL		1	9
11	577 24 46-01	HANDLE KIT		1	
12	504 90 94-14	SCREW ITXSCT		2	11

Go to Discount-Equipment.com to order your parts

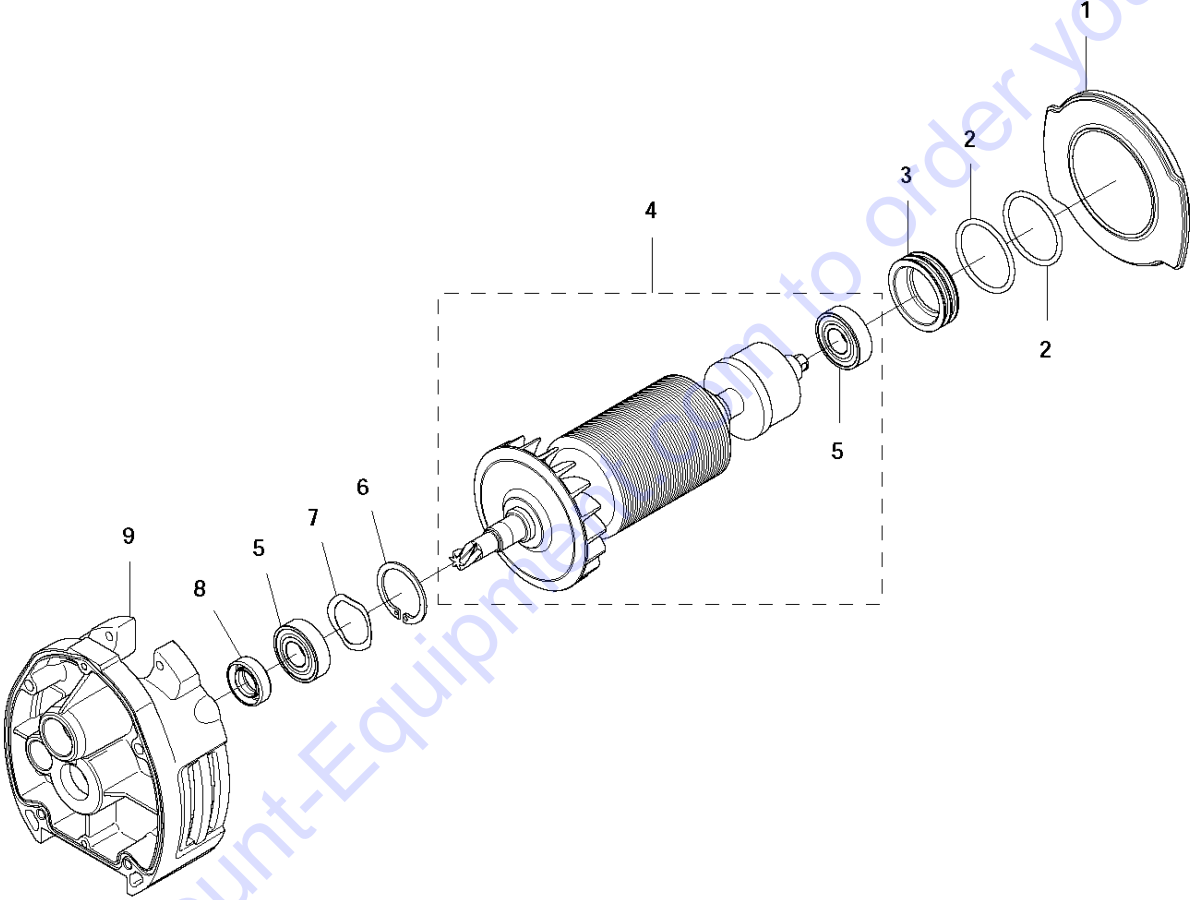
A DM 220
FRONT HANDLE



Ref	Part No	Description	Remark	QTY	KIT
1	525 29 73-01	FRONT HANDLE ASSY		1	
2	574 39 84-01	LID		1	1
3	725 25 05-51	SCREW EHHM		1	1
4	574 16 94-01	HANDLE		1	1
5	574 16 95-01	BUSHING		1	1
6	574 16 97-01	DISTANCE		1	1
7	525 44 38-01	PLATE		1	
8	575 63 63-01	SCREW IHSCM		4	7
9	525 54 05-01	ATTACHMENT PLATE		1	7
10	525 54 07-01	WEDGE		1	7
11	725 53 64-01	SCREW IHSCM		4	
12	577 24 37-01	SEAL		1	
13	575 80 83-01	O-RING		2	12
14	574 36 94-01	LOCK RING		1	12
15	525 29 69-01	BRACKET		1	
16	525 29 71-01	RING		1	
17	525 29 70-01	HOUSING		1	
18	574 16 98-01	WASHER		1	
19	574 17 00-01	ELEMENT		1	

Go to Discount-Equipment.com to order your parts

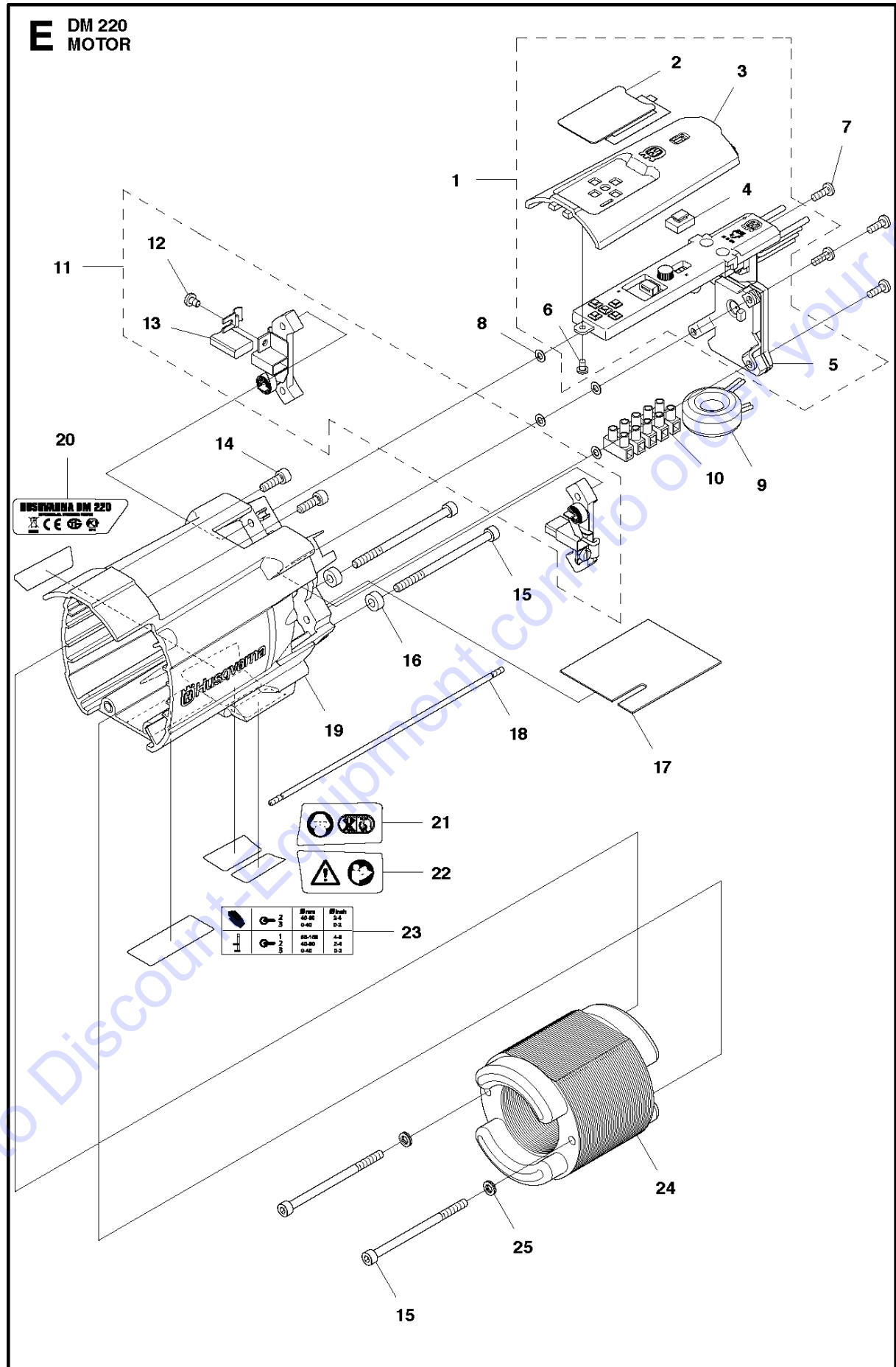
D DM 220
MOTOR



Go to Discount-Equipment.com to order your parts

Ref	Part No	Description	Remark	QTY	KIT
1	544 12 29-01	AIR CONDUCTOR		1	
2	503 26 30-03	O-RING		2	
3	544 12 30-01	BEARING SUPPORT		1	
4	505 57 66-01	ROTOR	230V	1	
4	505 57 65-01	ROTOR	120V	1	
5	503 25 24-01	BALL BEARING		2	4
6	735 31 28-10	CIRCLIP		1	
7	501 00 84-01	SPRING WASHER		1	
8	501 00 83-01	SEALING		1	
9	574 36 91-01	COVER		1	

Go to Discount-Equipment.com to order your parts



MOTOR

DM220, 2011-03

Ref	Part No	Description	Remark	QTY	KIT
1	576 21 46-01	ELECTRONIC BOX	120V	1	
1	576 21 46-02	ELECTRONIC BOX	230V	1	
2	525 53 87-01	MEMBRANE		1	1
3	525 83 44-01	LID		1	1
4	575 78 95-01	LIGHT PIPE		1	1
5	576 21 42-01	CIRCUIT BOARD ASSY	120V	1	1
5	576 21 42-02	CIRCUIT BOARD ASSY	230V	1	1
6	729 52 51-75	SCREW CRPANT		1	1
7	724 12 91-01	SCREW CRPANM		4	
8	735 11 36-50	SPRING WASHER		4	
9	504 54 50-01	FILTER	230V	1	
9	504 54 50-02	FILTER	120V	1	
10	576 28 75-01	TERMINAL BLOCK		1	
11	581 05 86-01	BRUSH HOLDER		1	
12	723 22 85-81	SCREW SLPANM		2	11
13	581 08 69-01	BRUSH KIT		2	11
14	725 53 29-55	SCREW IHSCM		2	
15	725 53 47-55	SCREW IHSCM		4	
16	577 09 51-01	SPACER		2	
17	576 96 74-01	PLATE		1	
18	576 24 25-01	CABLE		1	
19	576 39 16-01	MOTOR HOUSING		1	
20	575 34 79-01	LABEL		1	
21	575 34 74-01	LABEL		1	
22	575 34 77-01	LABEL		1	
23	575 34 73-01	LABEL		1	
24	576 13 93-01	STATOR ASSY	120V	1	
24	576 13 93-02	STATOR ASSY	230V	1	
25	503 23 04-02	WASHER		2	

Go to Discount-Equipment.com to order your parts

