



Husqvarna®



Operator's manual Manuel d'utilisation Manual de instrucciones DM 220

Please read the operator's manual carefully and make sure you understand the instructions before using the machine.
Lire attentivement et bien assimiler le manuel d'utilisation avant d'utiliser la machine.
Lea detenidamente el manual de instrucciones y asegúrese de entender su contenido antes de utilizar la máquina.



US CA UE



TO PURCHASE THIS PRODUCT PLEASE CONTACT US



**Equipment Financing and
Extended Warranties Available**



**Discount-Equipment.com is your online resource for
commercial and industrial quality parts and equipment sales.**

561-964-4949

visit us on line @ www.discount-equipment.com

Select an option below to find your Equipment

Search by Manufacturer

Search by Product Type

Request a Quote

We sell worldwide for the brands: Genie, Terex, JLG, MultiQuip, Mikasa, Essick, Whiteman, Mayco, Toro Stone, Diamond Products, Generac Magnum, Airman, Haulotte, Barreto, Power Blanket, Nifty Lift, Atlas Copco, Chicago Pneumatic, Allmand, Miller Curber, Skyjack, Lull, Skytrak, Tsurumi, Husquvarna Target, Stow, Wacker, Sakai, Mi-T-M, Sullair, Basic, Dynapac, MBW, Weber, Bartell, Bennar Newman, Haulotte, Ditch Runner, Menegotti, Morrison, Contec, Buddy, Crown, Edco, Wyco, Bomag, Laymor, EZ Trench, Bil-Jax, F.S. Curtis, Gehl Pavers, Heli, Honda, ICS/PowerGrit, IHI, Partner, Imer, Clipper, MMD, Koshin, Rice, CH&E, General Equipment, Amida, Coleman, NAC, Gradall, Square Shooter, Kent, Stanley, Tamco, Toku, Hatz, Kohler, Robin, Wisconsin, Northrock, Oztec, Toker TK, Rol-Air, APT, Wylie, Ingersoll Rand / Doosan, Innovatech, Con X, Ammann, Mecalac, Makinex, Smith Surface Prep, Small Line, Wanco, Yanmar

KEY TO SYMBOLS

Symbols on the machine

WARNING! The machine can be a dangerous tool if used incorrectly or carelessly, which can cause serious or fatal injury to the operator or others.

Please read the operator's manual carefully and make sure you understand the instructions before using the machine.

Wear personal protective equipment. See instructions under the heading "Personal protective equipment".

Conforms to UL Std 60745-1, 60745-2-1
Certified to CSA C22.2 No. 60745-1, 60745-2-1.

Environmental marking. Symbols on the product or its packaging indicate that this product cannot be handled as domestic waste. It must instead be submitted to an appropriate recycling station for the recovery of electrical and electronic equipment.

By ensuring that this product is taken care of correctly, you can help to counteract the potential negative impact on the environment and people that can otherwise result through the incorrect waste management of this product.

For more detailed information about recycling this product, contact your municipality, your domestic waste service or the shop from where you purchased the product.

Ensure that water cannot leak into the machine when drilling in the ceiling. Use an appropriate water collector.

Other symbols/decals on the machine refer to special certification requirements for certain markets.



Intertek
4005474



Explanation of warning levels

The warnings are graded in three levels.

WARNING!



WARNING! Used if there is a risk of serious injury or death for the operator or damage to the surroundings if the instructions in the manual are not followed.

CAUTION!



CAUTION! Used if there is a risk of injury to the operator or damage to the surroundings if the instructions in the manual are not followed.

NOTICE!



NOTICE! Used if there is a risk of damage to materials or the machine if the instructions in the manual are not followed.

Note the following before starting:



WARNING! Cutting, especially when DRY cutting, generates dust that comes from the material being cut, which frequently contains silica. Silica is a basic component of sand, quartz, brick clay, granite and numerous other minerals and rocks. Exposure to excessive amount of such dust can cause:

Respiratory disease (affecting your ability to breath), including chronic bronchitis, silicosis and pulmonary fibrosis from exposure to silica. These diseases may be fatal;

Skin irritation and rash.

Cancer according to NTP* and IARC* */ National Toxicology Program, International Agency for Research on Cancer

Take precautionary steps:

Avoid inhalation of and skin contact with dust, mist and fumes.

Wear and ensure that all bystanders wear appropriate respiratory protection such as dust masks designed to filter out microscopic particles. (See OSHA 29 CFR Part 1910.1200)

Wet cut when feasible, to minimize dust.

CONTENTS

Contents

KEY TO SYMBOLS

Symbols on the machine	2
Explanation of warning levels	2
Note the following before starting:	2

CONTENTS

Contents	3
----------------	---

PRESENTATION

Dear customer!	4
Design and features	4
Features	4

WHAT IS WHAT?

What is what on the drilling machine?	5
---	---

MACHINE'S SAFETY EQUIPMENT

General	6
---------------	---

GENERAL SAFETY PRECAUTIONS

General safety precautions	7
Drill motor safety precautions	8

ASSEMBLING AND ADJUSTMENTS

Assembly	10
----------------	----

OPERATING

Protective equipment	11
Basic working techniques	11
Transport and storage	12

STARTING AND STOPPING

Before starting	13
Starting	13
Stopping	13

MAINTENANCE

General	14
Daily Maintenance	14
Cleaning	14
Water tap	14
Electrical Feed	14
Changing the gearbox oil	14
Replacing the carbon brushes	15

TECHNICAL DATA

Drill speed and drill sizes	16
-----------------------------------	----

WIRING DIAGRAM

230 V	17
110 V	17

US WARRANTY STATEMENT

WARRANTY POLICY	18
EQUIPMENT	18

PRESENTATION

Dear customer!

Thank you for choosing a Husqvarna product!

It is our wish that you will be satisfied with your product and that it will be your companion for a long time. A purchase of one of our products gives you access to professional help with repairs and services. If the retailer who sells your machine is not one of our authorised dealers, ask him for the address of your nearest service workshop.

This operator's manual is a valuable document. Make sure it is always at hand at the work place. By following its content (operating, service, maintenance etc.) the life span and the second-hand value of the machine can be extended. If you ever lend or sell this machine, make sure that the borrower or buyer gets the operator's manual, so they will also know how to properly maintain and use it.

More than 300 years of innovation

Husqvarna AB is a Swedish company based on a tradition that dates back to 1689, when the Swedish King Karl XI ordered the construction of a factory for production of muskets. At that time, the foundation was already laid for the engineering skills behind the development of some of the world's leading products in areas such as hunting weapons, bicycles, motorcycles, domestic appliances, sewing machines and outdoor products.

Husqvarna is the global leader in outdoor power products for forestry, park maintenance and lawn and garden care, as well as cutting equipment and diamond tools for the construction and stone industries.

Owner responsibility

It is the owner's/employer's responsibility that the operator has sufficient knowledge about how to use the machine safely. Supervisors and operators must have read and understood the Operator's Manual. They must be aware of:

- The machine's safety instructions.
- The machine's range of applications and limitations.
- How the machine is to be used and maintained.

National legislation could regulate the use of this machine. Find out what legislation is applicable in the place where you work before you start using the machine.

The manufacturer's reservation

Subsequent to publishing this manual Husqvarna may issue additional information for safe operation of this product. It is the owner's obligation to keep up with the safest methods of operation.

Husqvarna AB has a policy of continuous product development and therefore reserves the right to modify the design and appearance of products without prior notice.

Design and features

Values such as high performance, reliability, innovative technology, advanced technical solutions and environmental considerations distinguish Husqvarna's products. Safe

operation of this product requires the operator to read this manual carefully. Ask your dealer or Husqvarna should you need more information.

Some of the unique features of your product are described below.

Features

Values such as high performance, reliability, innovative technology, advanced technical solutions and environmental considerations distinguish Husqvarna's products.

Some of the unique features of your product are described below.

Softstart™

Softstart™ is an electronic current limiter which provides a softer start.

Smart Start®

The machine runs at a lower speed when the Smart Start function is activated. This makes it easier to start drilling the material.

Elgard™

Elgard™ is an electronic overload protection that protects the motor. The protection spares the machine and extends its service life. With the help of Elgard™, the machine indicates when it approaches maximum load.

Level guiding system

The machine's Level guiding system works like an electronic level and helps the user to drill in the required position. By reading the LED indicator on the top of the machine and adjust it accordingly, it makes drilling easier for the operator and offers better precision.

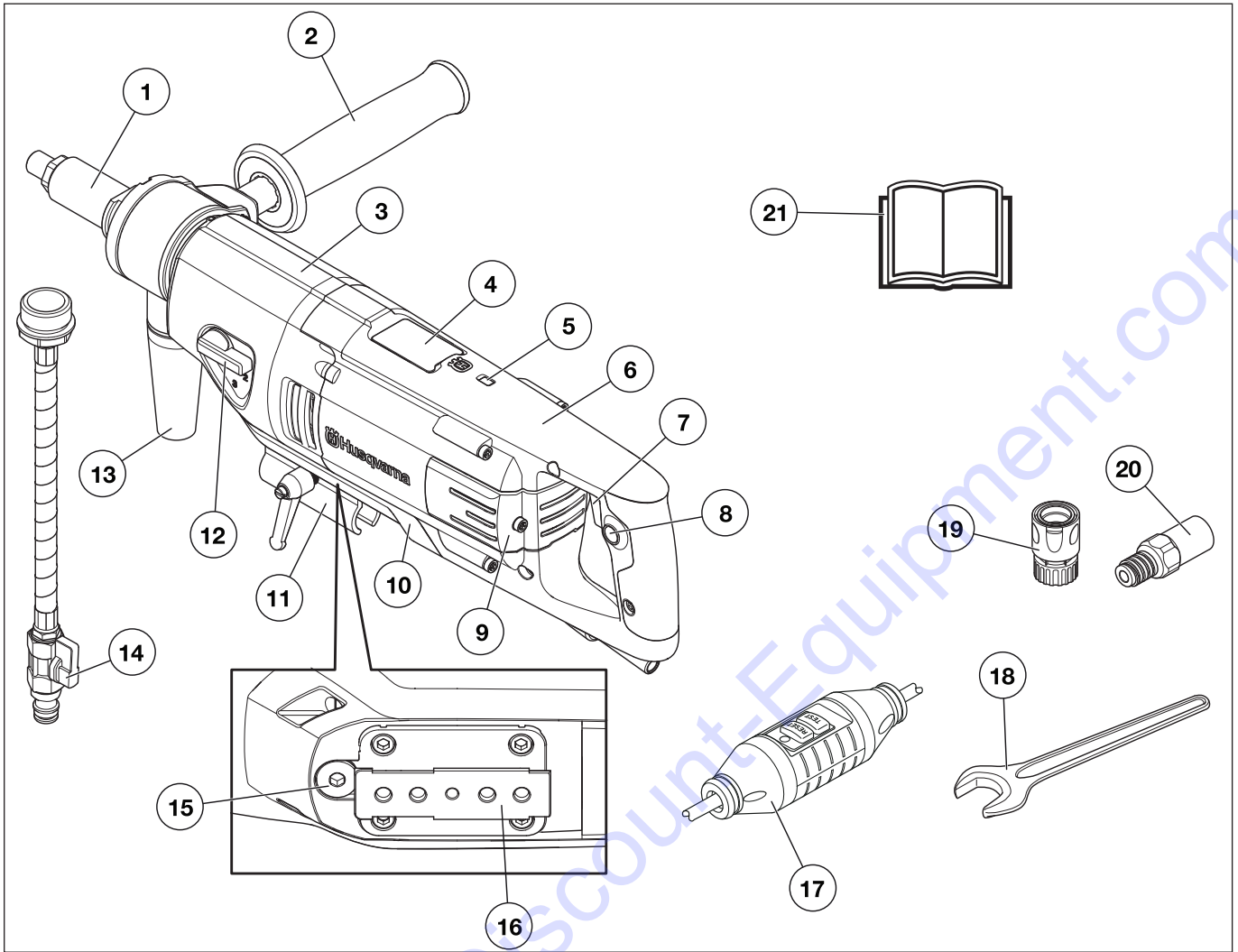
Twistable handle

The handle can be fully pivoted around the spindle shaft and can be locked in any position.

Twistable water/dust nozzle

The nozzle can be turned freely around the spindle shaft and be locked in any position. The nozzle is connected to a water source when wet drilling and to a vacuum cleaner when dry drilling.

WHAT IS WHAT?



What is what on the drilling machine?

- | | |
|----------------------------------|-------------------------------------|
| 1 Drill spindle | 12 Gear knob |
| 2 Twistable handle | 13 Connection for vacuum cleaner |
| 3 Gear box | 14 Wash-out port |
| 4 Electronic level indicator | 15 Oil plug |
| 5 Power indicator | 16 Stand fixing |
| 6 Motor | 17 Ground fault circuit interrupter |
| 7 Power switch with Smart Start® | 18 Spanners |
| 8 Lock-on button, power switch | 19 Water connector |
| 9 Inspection cover | 20 Adapter (USA only) |
| 10 Protective cover | 21 Operator's manual |
| 11 Bracket for "Starthelper" | |

MACHINE'S SAFETY EQUIPMENT

General

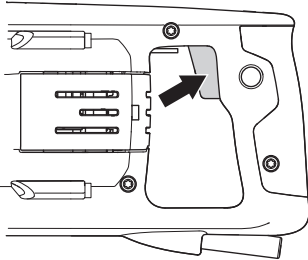


WARNING! Never use a machine that has faulty safety equipment! If your machine fails any checks contact Discount-equipment to get it repaired.

This section describes the machine's safety equipment, its purpose, and how checks and maintenance should be carried out to ensure that it operates correctly.

Power switch

The power switch should be used to start and stop the machine.



Checking the power switch

- Start the machine, release the power switch and check that the motor and the drill bit stop.
- A defective power switch should be replaced by an authorized service workshop.

Ground fault circuit interrupter

Ground fault circuit interrupters are for protection in case an electrical fault should occur.

The LED indicates that the ground fault circuit interrupter is on and that the machine can be switched on. If the LED is not on, push the RESET button (green).



Check the ground fault circuit interrupter

- Connect the machine to the socket. Push the RESET button (green) and the red LED lights up.



- Start the machine by pressing the power switch.
- Push the TEST button (blue).



- The ground fault circuit interrupter should trip and the machine switch off instantly. If not, contact Discount-equipment.
- Reset with the RESET button (green).

GENERAL SAFETY PRECAUTIONS

General safety precautions



WARNING! Read all safety warnings and all instructions. Failure to follow the warnings and instructions may result in electric shock, fire and/or serious injury.

IMPORTANT! Save all warnings and instructions for future reference. The term "power tool" in the warnings refers to your mains-operated (corded) power tool or battery-operated (cordless) power tool.

Work area safety

- **Keep work area clean and well lit.** Cluttered or dark areas invite accidents.
- **Do not operate power tools in explosive atmospheres, such as in the presence of flammable liquids, gases or dust.** Power tools create sparks which may ignite the dust or fumes.
- **Keep children and bystanders away while operating a power tool.** Distractions can cause you to lose control.

Electrical safety

- **Power tool plugs must match the outlet. Never modify the plug in any way. Do not use any adapter plugs with earthed (grounded) power tools.** Unmodified plugs and matching outlets will reduce the risk of electric shock.
- **Avoid body contact with earthed or grounded surfaces, such as pipes, radiators, ranges and refrigerators.** There is an increased risk of electric shock if your body is earthed or grounded.
- **Do not expose power tools to rain or wet conditions.** Water entering a power tool will increase the risk of electric shock.
- **Do not abuse the cord. Never use the cord for carrying, pulling or unplugging the power tool. Keep cord away from heat, oil, sharp edges or moving parts.** Damaged or entangled cords increase the risk of electric shock.
- **When operating a power tool outdoors, use an extension cord suitable for outdoor use.** Use of a cord suitable for outdoor use reduces the risk of electric shock.
- **If operating a power tool in a damp location is unavoidable, use a ground fault circuit interrupter (GFCI) protected supply.** Use of an GFCI reduces the risk of electric shock.

Personal safety

- **Stay alert, watch what you are doing and use common sense when operating a power tool. Do not use a power tool while you are tired or under the influence of drugs, alcohol or medication.** A moment of inattention while operating power tools may result in serious personal injury.

- **Use personal protective equipment. Always wear eye protection.** Protective equipment such as dust mask, non-skid safety shoes, hard hat, or hearing protection used for appropriate conditions will reduce personal injuries.
- **Prevent unintentional starting. Ensure the switch is in the OFF-position before connecting to power source and/or battery pack, picking up or carrying the tool.** Carrying power tools with your finger on the switch or energising power tools that have the switch on invites accidents.
- **Remove any adjusting key or wrench before turning the power tool on.** A wrench or a key left attached to a rotating part of the power tool may result in personal injury.
- **Do not overreach. Keep proper footing and balance at all times.** This enables better control of the power tool in unexpected situations.
- **Dress properly. Do not wear loose clothing or jewellery. Keep your hair, clothing and gloves away from moving parts.** Loose clothes, jewellery or long hair can be caught in moving parts.
- **If devices are provided for the connection of dust extraction and collection facilities, ensure that these are connected and properly used.** Use of dust collection can reduce dust-related hazards.

Power tool use and care

- **Do not force the power tool. Use the correct power tool for your application.** The correct power tool will do the job better and safer at the rate for which it was designed.
- **Do not use the power tool if the switch does not turn it on and off.** Any power tool that cannot be controlled with the switch is dangerous and must be repaired.
- **Disconnect the plug from the power source and/or the battery pack from the power tool before making any adjustments, changing accessories, or storing power tools.** Such preventive safety measures reduce the risk of starting the power tool accidentally.
- **Store idle power tools out of the reach of children and do not allow persons unfamiliar with the power tool or these instructions to operate the power tool.** Power tools are dangerous in the hands of untrained users.
- **Maintain power tools. Check for misalignment or binding of moving parts, breakage of parts and any other condition that may affect the power tool's operation. If damaged, have the power tool repaired before use.** Many accidents are caused by poorly maintained power tools.
- **Keep cutting tools sharp and clean.** Properly maintained cutting tools with sharp cutting edges are less likely to bind and are easier to control.
- **Use the power tool, accessories and tool bits etc. in accordance with these instructions, taking into account the working conditions and the work to be performed.** Use of the power tool for operations different from those intended could result in hazardous situations.

GENERAL SAFETY PRECAUTIONS

Service

- **Have your power tool serviced by a qualified repair person using only identical replacement parts.** This will ensure that the safety of the power tool is maintained.

Always use common sense

It is not possible to cover every conceivable situation you can face. Always exercise care and use your common sense. If you get into a situation where you feel unsafe, stop and seek expert advice. Contact Discount-equipment. Do not attempt any task that you feel unsure of!

Drill motor safety precautions

This section describes basic safety directions for using the machine. This information is never a substitute for professional skills and experience.

- Please read the operator's manual carefully and make sure you understand the instructions before using the machine.
- Keep in mind that the operator is responsible for accidents or hazards occurring to other people or their property.
- All operators shall be trained in the use of the machine. The owner is responsible for ensuring that the operators receive training.
- The machine must be kept clean. Signs and stickers must be fully legible.



WARNING! The machine can be a dangerous tool if used incorrectly or carelessly, which can cause serious or fatal injury to the operator or others.

Never allow children or other persons not trained in the use of the machine to use or service it. Never allow anyone else to use the machine without first ensuring that they have read and understood the contents of the operator's manual.

Never use the machine if you are fatigued, while under the influence of alcohol or drugs, medication or anything that could affect your vision, alertness, coordination or judgement.



WARNING! Unauthorized modifications and/or accessories may lead to serious injury or death to the user or others.

Do not modify this product or use it if it appears to have been modified by others.

Never use a machine that is faulty. Carry out the safety checks, maintenance and service instructions described in this manual. Some maintenance and service measures must be carried out by trained and qualified specialists. See instructions under the heading Maintenance.

Always use genuine accessories.

Work safety

- Do not use the machine in bad weather, such as dense fog, heavy rain, strong wind, intense cold, etc. Working in bad weather is tiring and can lead to dangerous conditions, e.g. slippery surfaces.
- Never start to work with the machine before the working area is clear and you have a firm foothold. Look out for any obstacles with unexpected movement. Ensure that no material can become loose and fall, causing injury when operating the machine.
- Always check the rear side of the surface where the drill bit will emerge when drilling right through. Secure and cordon off the area and make sure that no one can be injured or material damaged.

Electrical safety



WARNING! There is always a risk of shocks from electrically powered machines. Avoid unfavourable weather conditions and body contact with lightning conductors and metal objects. Always follow the instructions in the Operator's manual to avoid damage.



WARNING! Do not wash the machine with water, as water can enter the electrical system or the engine and cause damage to the machine or short circuit.

- Never use the tool without the ground fault circuit interrupter delivered with the tool.
- The machine should be connected to an earthed outlet socket.
- Check that the mains voltage corresponds with that stated on the rating plate on the machine.
- Check that the cord and extension cord are intact and in good condition. Never use the machine if any cable or plug is damaged, but hand it in to an authorized service workshop for repair.
- To avoid overheating do not use the extension cord while it is rolled up.
- Do not expose the power tool to rain. Water entering a power tool will increase the risk of electric shock.
- The power tool should not be exposed to more moisture than what is provided by the water system. The water system cools the drill bit with clean water. Make sure that no drill slurry enters the machine.
- Ensure the cord is behind you when you start to use the machine so that the cord will not be damaged.
- Always unplug the machine during longer work breaks.

Drilling outdoors

- Always use extension cables that are approved for outdoor use.

GENERAL SAFETY PRECAUTIONS

Personal safety

- Never allow anyone else to use the machine without first ensuring that they have read and understood the contents of the operator's manual.
- Remain at a distance from the drill bit when the motor is running. A rotating drill bit can entail a risk of serious injury.
- Make sure that no pipes or electrical cables are routed in the area to be drilled.
- Never leave the machine unsupervised with the motor running.
- Always unplug the machine during longer work breaks.
- Never work alone, always ensure there is another person close at hand. Apart from being able to receive help to assemble the machine, you can also get help if an accident should occur.
- Use auxiliary handles supplied with the tool. Loss of control can cause personal injury.

Use and care

- This machine is ideal for drilling holes in concrete, bricks and various stone materials. It can be used both as a hand-held drill or fitted to a drill stand.
- The machine is intended for use in industrial applications by experienced operators.
- Inspection and/or maintenance should be carried out with the motor switched off and the plug disconnected.
- The machine has a very high torque. This demands good concentration during work, as serious personal injuries can occur if the drill bit suddenly jams.
- Remain at a distance from the drill bit when the motor is running.
- Do not overload the machine. Overloading can damage the machine.
- Keep all parts in good working order and ensure that all fixtures are properly tightened.
- Always switch off the machine before you move it.
- Hold the power tool by insulated gripping surfaces, when performing an operation where the cutting accessory may contact hidden wiring or its own cord. Cutting accessory contacting a "live" wire may make exposed metal parts of the power tool live and could give the operator an electric shock.

Dry drilling



CAUTION! Dust forms when drilling, which can cause injuries if inhaled. Use an approved breathing mask. Connected the machine to a vacuum cleaner for effective dust management when dry drilling.

Drilling in the ceiling

NOTICE! The air intake must not be covered.

Use a water collector to avoid water penetrating into the machine.

Elgard™

NOTICE! Do not repeatedly overload the machine. This can damage the machine.

If the motor is overloaded, the overload protection pulses the motor. Reduce the load and the motor returns to its normal speed.

The overload protection disconnects the power, if the machine is subjected to heavy loads or if the drill bit jams. Reset the machine by switching it off and then on again.

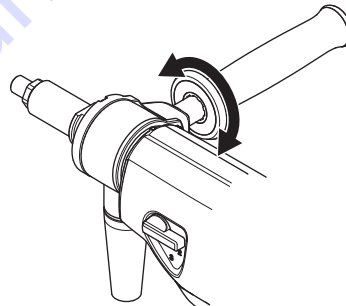
If the drill bit jams, the mechanical slip clutch protects the gearbox before the overload protection disconnects the power.

Handheld drilling



WARNING! Do not perform handheld drilling in first gear as the machine has a powerful torque that can result in personal injuries should the drill bit jam.

- Always use a drill bit with a max. diameter of 80 mm with handheld drilling. The larger the drill bit the greater the reaction if the drill jams.
- Lock the front pivoting handle firmly in place prior to drilling.



- Never perform handheld drilling from a ladder. Handheld drilling in these situations is full of risks, as the risk of falling is very high if the drill bit jams.



Stand drilling

- Always use a drilling stand if drilling is to be performed from a ladder or scaffold.
- Make sure that the stand is secured correctly.
- Make sure that the drilling machine is secured correctly in the stand.

ASSEMBLING AND ADJUSTMENTS

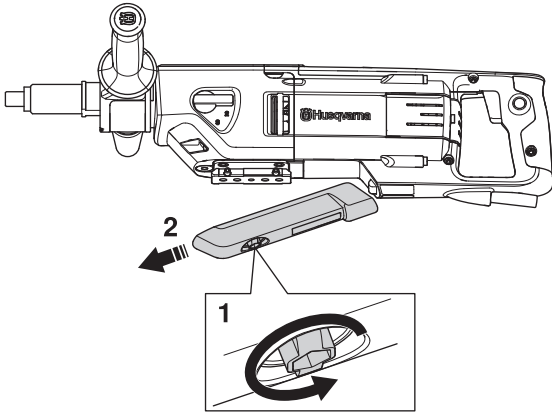
Assembly



WARNING! The machine should be switched off with the power cable disconnected from the outlet.

Assembling on stand

- Loosen the screw. Remove the protective cover.



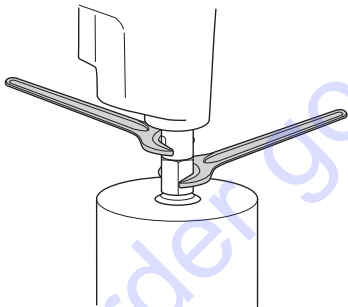
- See instructions in the operator's manual for the stand in question.

Fitting/changing the drill bit



CAUTION! The drill bit and the surrounding area is very hot after use. Leave machine to cool off before removing the drill bit. Use protective gloves.

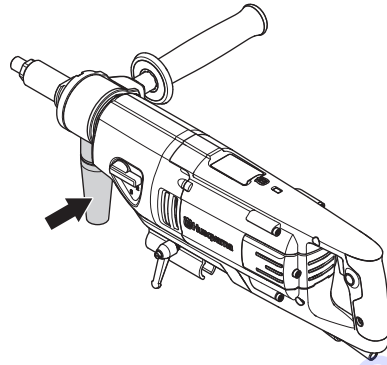
- Apply water-resistant grease to the thread of the drill bit.
- Attach the drill bit using the open-ended spanners.



- Before the machine is started, carefully check that the new bit is firmly attached.

Connect the vacuum cleaner

- Connected the machine to a vacuum cleaner for effective dust management when dry drilling.



OPERATING

Protective equipment

General

Do not use the machine unless you are able to call for help in the event of an accident.

Personal protective equipment

You must use approved personal protective equipment whenever you use the machine. Personal protective equipment cannot eliminate the risk of injury but it will reduce the degree of injury if an accident does happen. Ask your dealer for help in choosing the right equipment.



WARNING! The use of products such as cutters, grinders, drills, that sand or form material can generate dust and vapors which may contain hazardous chemicals. Check the nature of the material you intend to process and use an appropriate breathing mask.



WARNING! Long-term exposure to noise can result in permanent hearing impairment. So always use approved hearing protection. Listen out for warning signals or shouts when you are wearing hearing protection. Always remove your hearing protection as soon as the engine stops.



WARNING! There is always a risk of crush injuries when working with products containing moving parts. Wear protective gloves to avoid body injuries.

Always wear:

- Protective helmet
- Hearing protection
- Protective goggles or a visor
- Breathing mask
- Heavy-duty, firm grip gloves.
- Tight-fitting, heavy-duty and comfortable clothing that permits full freedom of movement.
- Boots with steel toe-caps and non-slip sole

Be careful as clothing, long hair, and jewellery can get caught in moving parts.

Other protective equipment



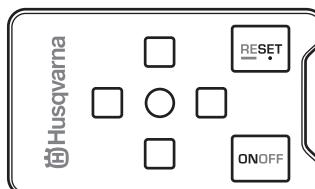
WARNING! Sparks may appear and start a fire when you work with the machine. Always keep fire fighting equipment handy.

- Fire fighting equipment
- Always have a first aid kit nearby.

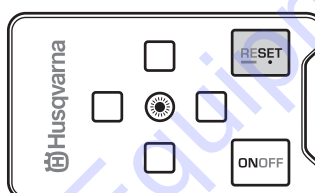
Basic working techniques

Level guiding system

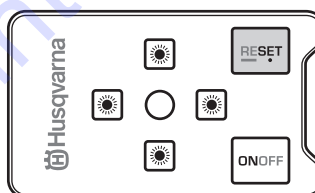
The machine's Level guiding system works like an electronic level and helps the user to drill in the required position. By reading the LED indicator on the top of the machine and adjust it accordingly, it makes drilling easier for the operator and offers better precision.



The central green LED is lit as long as the machine is in the required position.

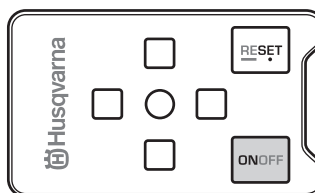


The surrounding red LEDs indicate which direction the machine must be angled to achieve the required position.



Activate the system

- Press the ON/OFF button to activate the system.



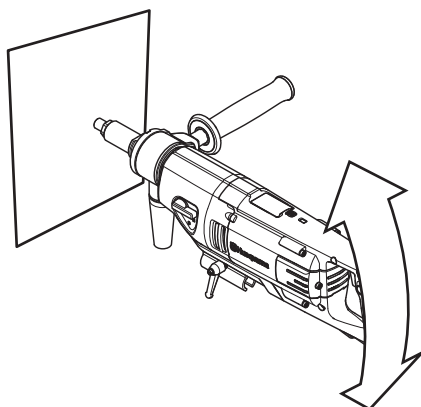
- This function senses how the machine is angled and alters it accordingly.

Horizontal position

The central green LED lights up when the machine is aligned horizontally.

OPERATING

The system senses the machine's deviation from the horizontal plane.

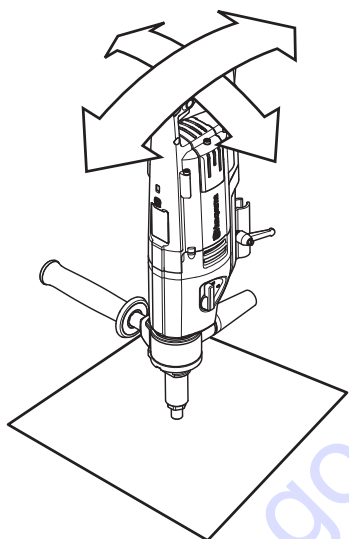


If the back of the machine is tilted downwards, the central green LED goes out and the front red LED lights up. If the back end of the machine is tilted up, the back red LED lights up.

Vertical position

The central green LED lights up when the machine is aligned vertically.

The system senses deviations in two planes.



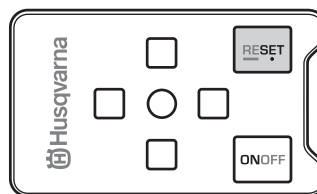
If the back of the machine is tilted downwards, the central green LED goes out and the front red LED lights up. If the back end of the machine is tilted up, the back red LED lights up.

If the back end of the machine is tilted to the right, the central green LED goes out and the left red LED lights up. If the back end of the machine is tilted to the left, the right hand red LED lights up.

Customised angle setting

The Level guiding system in the machine can be configured to set a customised drill angle.

- Hold the machine at the required angle and press the Reset button.



- Zero the angle setting by keeping the Reset button pressed in for about 3 seconds.

The setting is also zeroed if the machine is disconnected from the mains supply for a long time.

Deactivate the system

The system can be deactivated temporarily by pressing the ON/OFF button. Deactivation is set to zero if the ON/OFF button is pressed again or when the power is disconnected.

The system is deactivated for the time being by pressing the ON/OFF button for approx. 3 seconds. Press the ON/OFF button to activate the system again.

Transport and storage

- Do not store or transport the drilling machine with the drill bit fitted in order to protect your drilling machine and drill bits from damage.
- Secure the equipment during transportation in order to avoid transport damage and accidents.
- Store the equipment in a lockable area so that it is out of reach of children and unauthorized persons.
- Store the machine and its equipment in a dry and frost proof place.

STARTING AND STOPPING

Before starting



WARNING! Please read the operator's manual carefully and make sure you understand the instructions before using the machine.

Wear personal protective equipment. See instructions under the heading "Personal protective equipment".

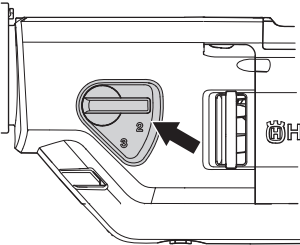
Make sure no unauthorised persons are in the working area, otherwise there is a risk of serious personal injury.

- Check that the machine is assembled correctly and do not show any signs of damage. See instructions in the section "Assembling and adjustments".
- Perform daily maintenance. See instructions in the section "Maintenance".

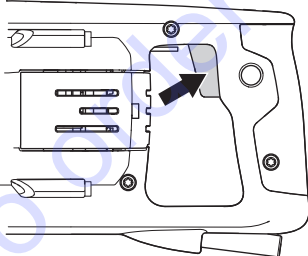
Starting

NOTICE! Changing gear may only be done when the machine is switched off. Otherwise there is a risk of damaging the gearbox.

- Set the working speed by turning the drill spindle and at the same time move the gear knob to the required position.



- Turn on the water cooling (wet drilling) or switch on the vacuum cleaner (dry drilling).
- Press down the power switch halfway to activate Smart Start and all the way for full drilling speed.



Stopping



CAUTION! The drill bit continues to rotate for a while after the motor has been switched off. Make sure that the drill bit can rotate freely until it is completely stopped. Carelessness can result in serious personal injury.

- Run the machine unloaded for a minute or two to cool the motor.
- Stop the motor by releasing the power switch.

MAINTENANCE

General



WARNING! The user must only carry out the maintenance and service work described in this manual. More extensive work must be carried out by an authorized service workshop.

Shut down the machine and disconnect the power plug.

Wear personal protective equipment. See instructions under the heading "Personal protective equipment".

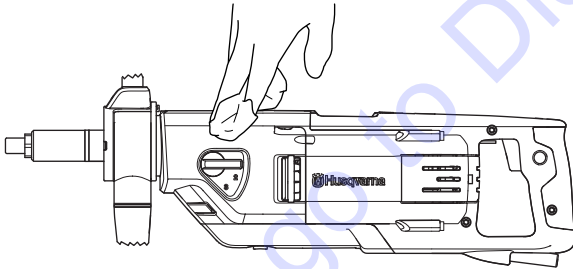
The life span of the machine can be reduced and the risk of accidents can increase if machine maintenance is not carried out correctly and if service and/or repairs are not carried out professionally. If you need further information please contact Discount-equipment.

Daily Maintenance

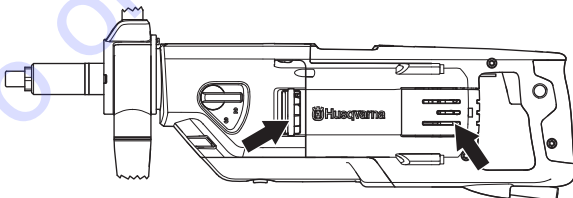
- Check that the machine's safety equipment is undamaged. See instructions in the section "Machine's safety equipment".
- Check that the cord and extension cord are intact and in good condition.
- Clean the outside of the machine.

Cleaning

- Keep the machine and drill bit clean in order for drilling to be carried out safely.



- Keep the handle dry and free of grease and oil.
- In order for the machine to always be cooled sufficiently the cooling air openings must be kept clear and clean. Blow down the machine regularly with compressed air.



- Use compressed air to periodically clean the motor. Remove the inspection cover and clean the cover.

Water tap

Check that the water tap functions. Do not use hoses that are distorted, worn or damaged.

Electrical Feed



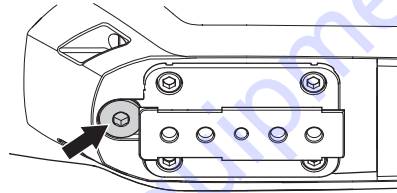
WARNING! Never use damaged cables. They can cause serious, even fatal, personal injuries.

Check that the cord and extension cord are intact and in good condition. Never use the machine if the cord is damaged, hand it in to an authorized service workshop for repair.

Changing the gearbox oil

The oil in the gearbox must be changed after every 400 hours of operation.

- Unscrew the oil plug.



- Empty the oil into a container. Handle oil carefully of environmental considerations. Follow local recycling requirements.

If necessary contact Discount-equipment to clean the gearbox.

- Pour the new oil into the gearbox, about 0.25 litres. Refer to Technical Data for recommendations on which oil type to use.
- The oil plug is fitted with a magnet that captures metal particles. Wipe the oil plug clean and screw it back.

MAINTENANCE

Replacing the carbon brushes

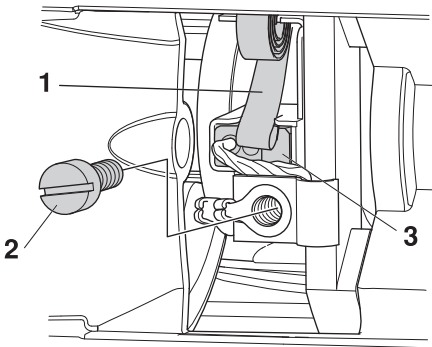


WARNING! Shut down the machine and disconnect the power plug.

The carbon brushes must be removed and checked regularly. Weekly if the machine is used daily or at longer intervals if the machine is used more seldom. The area of wear should be even and undamaged.

Both carbon brushes must always be replaced as a pair, but one at a time.

- Remove the inspection cover.
- Lift the brush retainer spring to one side (1).



- Loosen the screw (2).
- Pull out the carbon brush connector.
- Pull out the coal brush from the holder (3).
- Clean the brush holder with compressed air or a brush. Replace the brush if worn.
- Fit the new carbon brushes and, at the same time, check that they slide easily in the brush retainers.
- Put the brush holder spring back into place.
- Insert the carbon brush connection under the screw.
- Repeat the procedure with the other carbon brush.
- Screw the inspection cover back in place.
- Let the machine idle for 10 minutes to run in the new carbon brushes.

TECHNICAL DATA

DM 220

Electric motor 1-phase
 Rated voltage, V 220-240/100-120
 Rated output, W 1850

Rated current, A

220-240 V 8 A
 100-120 V 13 A

Weight, lb/kg 7

Diameter drill bit, mm

Max. diameter of the drill bit, with stand 150 mm (5,9")
 Max. diameter for the drill bit, handheld 80 mm (3.14")

Spindle thread G 1/2" G 1 1/4"

Wash-out port G 1/4"

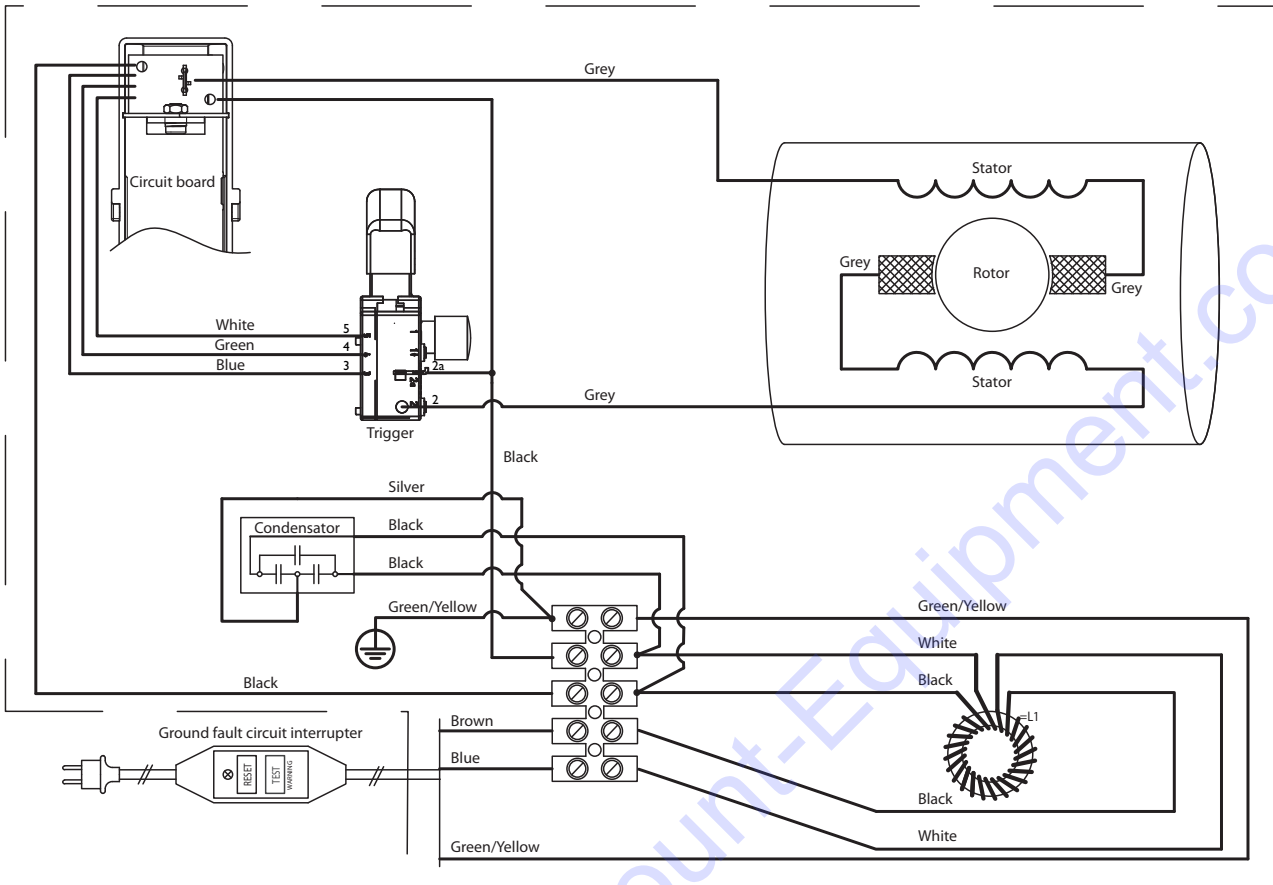
Water pressure - max, bar 8

Drill speed and drill sizes

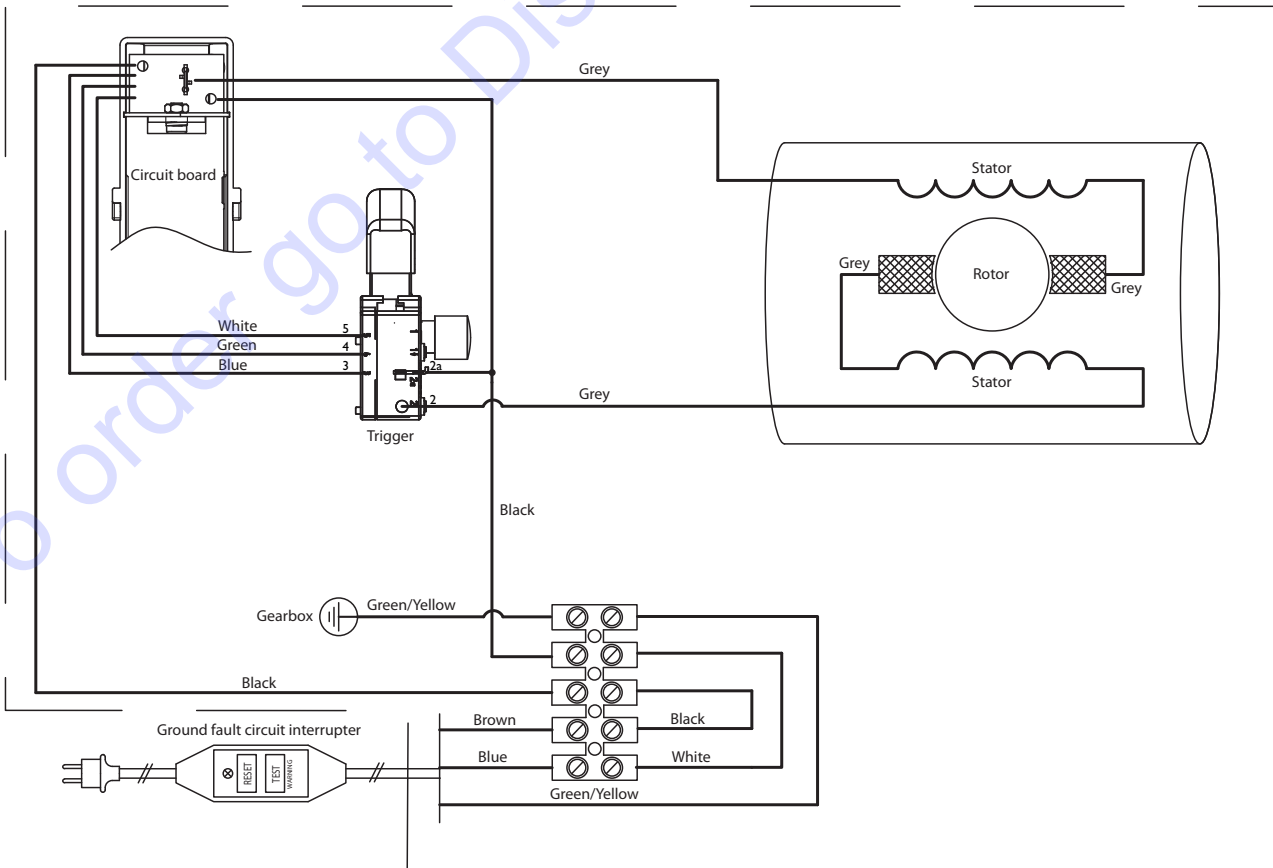
Gear	Drill bit speed with load, rpm	Drill bit load without load, rpm	Handheld drilling		Stand drilling	
			Recommended drill bit size, mm	Recommended drill bit size, inch	Recommended drill bit size, mm	Recommended drill bit size, inch
1	580	730	Not recommended	Not recommended	100-150	4-6
2	1400	1700	40-80	2-4	40-80	2-4
3	2900	3600	0-40	0-2	0-40	0-2

WIRING DIAGRAM

230 V



110 V



EXPLICATION DES SYMBOLES

Symboles sur la machine

AVERTISSEMENT! La machine utilisée de manière imprudente ou inadéquate peut devenir un outil dangereux, pouvant causer des blessures graves voire mortelles à l'utilisateur et aux autres personnes présentes.



Lire attentivement et bien assimiler le manuel d'utilisation avant d'utiliser la machine.



Utiliser les équipements de protection personnelle. Voir au chapitre "Équipement de protection personnelle".



Conforme à la norme UL 60745-1, 60745-2-1
Certifié CSA C22.2 No. 60745-1, 60745-2-1.



Intertek
4005474

Marquage environnemental. Ce symbole figurant sur le produit ou sur son emballage indique que ce produit ne peut pas être traité comme déchet ménager. Il doit être collecté et amené à une installation de récupération appropriée de déchets d'équipements électriques et électroniques.



En veillant à ce que ce produit soit correctement éliminé, vous pouvez contribuer à prévenir les conséquences négatives potentielles sur l'environnement et les hommes, qui pourraient sinon être le résultat d'un traitement incorrect des déchets de ce produit.

Pour des informations plus détaillées sur le recyclage de ce produit, contactez votre commune ou le magasin où vous avez acheté le produit.

En cas de forage au plafond, s'assurer que l'eau ne risque pas de couler dans la machine. Utiliser un collecteur d'eau adapté.



Les autres symboles/autocollants présents sur la machine concernent des exigences de certification spécifiques à certains marchés.

Explication des niveaux d'avertissement

Il existe trois niveaux d'avertissement.

AVERTISSEMENT!



AVERTISSEMENT! Symbole utilisé en cas de risque de blessures très graves ou de mort pour l'utilisateur ou de dommages pour les environs si les instructions du manuel ne sont pas suivies.

REMARQUE !



REMARQUE ! Symbole utilisé en cas de risque de blessures pour l'utilisateur ou de dommages pour les environs si les instructions du manuel ne sont pas suivies.

ATTENTION !



ATTENTION ! Symbole utilisé en cas de risque de dommages pour les matériaux ou la machine si les instructions du manuel ne sont pas suivies.

Contrôler les points suivants avant la mise en marche:



AVERTISSEMENT! La découpe, particulièrement la découpe à SEC soulève la poussière générée par le matériau coupé qui contient souvent de la silice. La silice est composée de sable, de quarts d'argile, de granit et de nombreuses autres substances minérales et rocheuses. L'exposition à une quantité excessive d'une telle poussière peut causer:

Des maladies respiratoires (altérant les facultés respiratoires), y compris bronchites chroniques, silicose et fibrose pulmonaire dues à une exposition à la silice. Ces maladies peuvent être fatales;

Irritation cutanée et démangeaisons.

Des cancers selon NTP* et IARC* */ National Toxicology Program, International Agency for Research on Cancer

Prendre des mesures préventives:

Éviter l'inhalation et le contact avec la peau de la poussière, des vapeurs et des fumées.

L'utilisateur et les personnes présentes sur le site doivent porter des protections respiratoires appropriées telles que des masques spécialement prévus pour filtrer les particules microscopiques. (Voir OSHA 29 CFR Partie 1910.1200)

Couper si possible en utilisant le jet d'eau afin de réduire la poussière dispersée.

SOMMAIRE

Sommaire

EXPLICATION DES SYMBOLES

Symboles sur la machine	19
Explication des niveaux d'avertissement	19
Contrôler les points suivants avant la mise en marche:	19

SOMMAIRE

Sommaire	20
----------------	----

PRÉSENTATION

Cher client,	21
Conception et propriétés	21
Fonctions	21

QUELS SONT LES COMPOSANTS?

Quels sont les composants de la perceuse?	22
---	----

ÉQUIPEMENT DE SÉCURITÉ DE LA MACHINE

Généralités	23
-------------------	----

INSTRUCTIONS GÉNÉRALES DE SÉCURITÉ

Instructions générales de sécurité	24
Consignes de sécurité moteur de foret	25

MONTAGE ET RÉGLAGES

Montage	28
---------------	----

COMMANDE

Équipement de protection	29
Techniques de travail de base	29
Transport et rangement	30

DÉMARRAGE ET ARRÊT

Avant le démarrage	31
Démarrage	31
Arrêt	31

ENTRETIEN

Généralités	32
Entretien Quotidien	32
Nettoyage	32
Robinet d'eau	32
Alimentation électrique	32
Remplacement de l'huile de la boîte de vitesses	32
Remplacement des balais de charbon	33

CARACTÉRISTIQUES TECHNIQUES

Vitesses et tailles de forage	34
-------------------------------------	----

SCHÉMA ÉLECTRIQUE

230 V	35
110 V	35

DECLARATION DE GARANTIE ETATS-UNIS

POLITIQUE DE GARANTIE	36
EQUIPEMENT	36

PRÉSENTATION

Cher client,

Nous vous remercions d'avoir choisi un produit Husqvarna !

Nous espérons que cette machine vous donnera toute satisfaction et qu'elle vous accompagnera pendant de longues années. L'achat de l'un des nos produits garantit une assistance professionnelle pour l'entretien et les réparations. Si la machine n'a pas été achetée chez l'un de nos revendeurs autorisés, demandez l'adresse de l'atelier d'entretien le plus proche.

Ce mode d'emploi est précieux. Veillez à ce qu'il soit toujours à portée de main sur le lieu de travail. En suivant les instructions qu'il contient (utilisation, révision, entretien etc.), il est possible d'allonger considérablement la durée de vie de la machine et d'augmenter sa valeur sur le marché de l'occasion. En cas de vente de la machine, ne pas oublier de remettre le manuel d'utilisation au nouveau propriétaire.

Plus de 300 ans d'innovation

Husqvarna AB est une entreprise suédoise qui a vu le jour en 1689 lorsque le roi Karl XI décida de construire un arsenal pour la fabrication des mousquets. À l'époque, les compétences en ingénierie à la base du développement de certains des produits leaders du marché mondial dans des domaines tels que les armes de chasse, les vélos, les motocycles, l'électroménager, les machines à coudre et les produits d'extérieur, étaient déjà solides.

Husqvarna est le premier fournisseur mondial de produits motorisés pour utilisation en extérieur dans la foresterie, l'entretien de parcs, de pelouses et de jardins, ainsi que d'équipements de coupe et d'outils diamant destinés aux industries de la construction et de la pierre.

Responsabilité du propriétaire

Il est de la responsabilité du propriétaire/de l'employeur de s'assurer que l'utilisateur possède les connaissances nécessaires pour manipuler la machine en toute sécurité. Les responsables et les utilisateurs doivent avoir lu et compris le Manuel d'utilisation. Ils doivent avoir conscience :

- Des instructions de sécurité de la machine.
- Des diverses applications de la machine et de ses limites.
- De la façon dont la machine doit être utilisée et entretenue.

La législation nationale peut réglementer l'utilisation de cette machine. Recherchez la législation applicable dans le lieu où vous travaillez avant d'utiliser la machine.

Droit de réserve du fabricant

Husqvarna peut éditer des informations complémentaires concernant l'utilisation de ce produit en toute sécurité après la publication du présent manuel. Il incombe au propriétaire de se tenir informé des méthodes d'utilisation les plus sûres.

Husqvarna AB travaille continuellement au développement de ses produits et se réserve le droit d'en modifier, entre autres, la conception et l'aspect sans préavis.

Conception et propriétés

Les produits Husqvarna se distinguent par des valeurs telles que la haute performance, la fiabilité, la technologie innovante, les solutions techniques de pointe et les considérations environnementales. Pour utiliser ce produit en toute sécurité, l'utilisateur doit lire le manuel avec attention. Contactez votre revendeur Husqvarna pour obtenir de plus amples informations.

Certaines des caractéristiques uniques de votre produit sont décrites ci-dessous.

Fonctions

Les produits Husqvarna se distinguent par des valeurs telles que la haute performance, la fiabilité, la technologie innovante, les solutions techniques de pointe et les considérations environnementales.

Certaines des caractéristiques uniques de votre produit sont décrites ci-dessous.

Softstart™

Softstart™ est un limiteur de courant électronique permettant un démarrage en douceur.

Smart Start®

Lorsque la fonction Smart Start est activée, la machine fonctionne à une vitesse réduite. Il est ainsi plus facile de commencer le perçage du matériau.

Elgard™

Elgard™ est un système électronique de protection du moteur contre la surcharge. Cette protection évite de trop solliciter la machine et allonge sa durée de vie. Grâce à Elgard™, la machine indique lorsque sa charge se rapproche du maximum.

Level guiding system

Le Level guiding system de la machine fonctionne comme un niveau électronique et permet à l'utilisateur de percer dans la position requise. En visualisant le voyant LED en haut de la machine et avec un bon réglage, le perçage est plus facile pour l'opérateur et offre une plus grande précision.

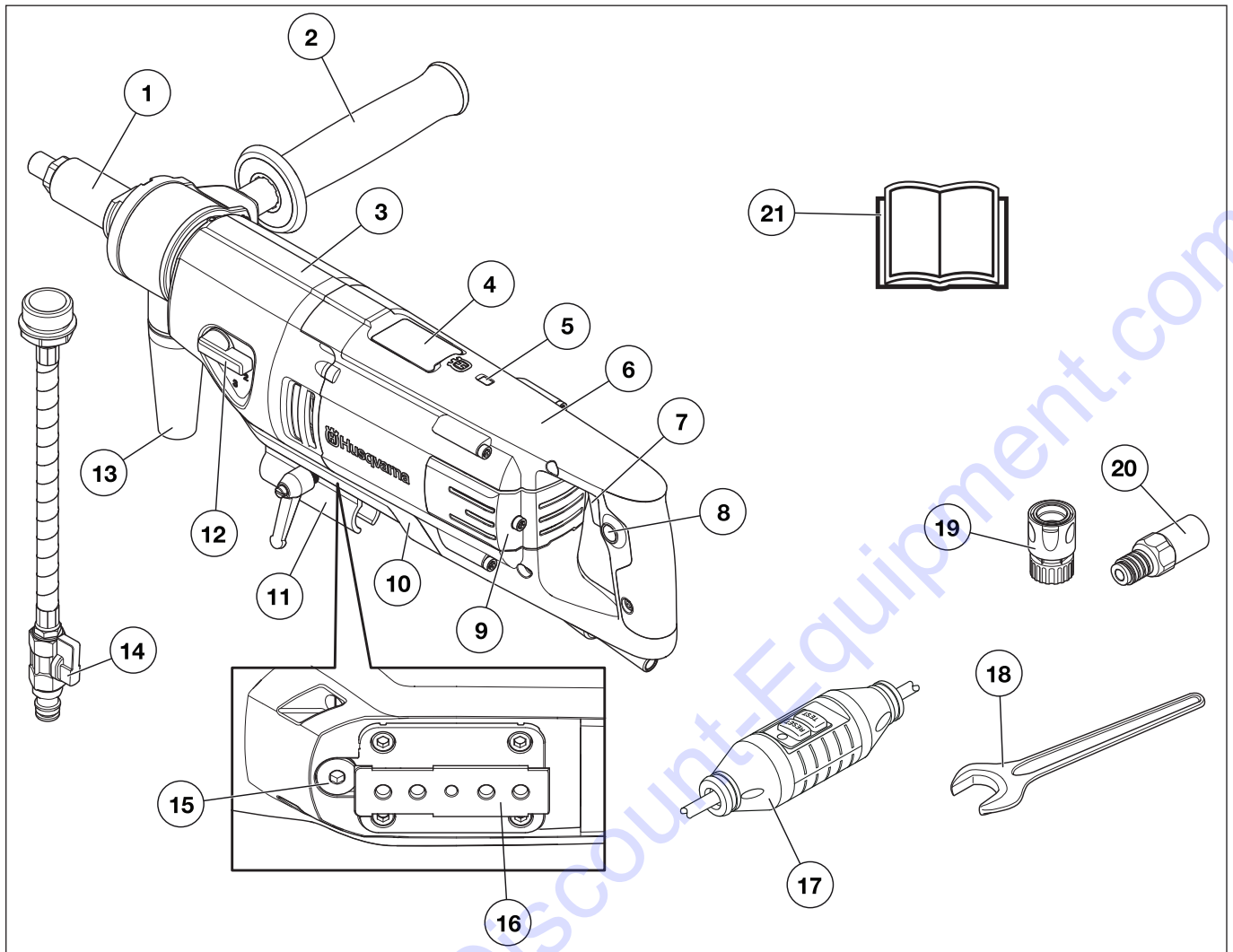
Poignée réglable

La poignée peut pivoter entièrement autour de la tige de l'arbre et se bloquer dans n'importe quelle position.

Buse eau/poussière réglable

La buse peut être tournée librement autour de la tige de l'arbre et être bloquée dans n'importe quelle position. La buse est connectée à une source d'eau en cas de forage humide et à un aspirateur en cas de forage à sec.

QUELS SONT LES COMPOSANTS?



Quels sont les composants de la perceuse?

- | | |
|---|---------------------------------------|
| 1 Broche | 12 Sélecteur de vitesse |
| 2 Poignée réglable | 13 Raccordement pour aspirateur |
| 3 Boîte d'engrenages | 14 Raccord de l'eau |
| 4 Indicateur électronique de niveau | 15 Bouchon de remplissage d'huile |
| 5 Témoin de mise sous tension | 16 Fixation du bâti |
| 6 Moteur | 17 Disjoncteur de fuite à la terre |
| 7 Interrupteur avec fonction Smart Start® | 18 Clés |
| 8 Bouton de blocage, interrupteur | 19 Raccord de l'eau |
| 9 Capot de contrôle | 20 Adaptateur (États-Unis uniquement) |
| 10 Carter de protection | 21 Manuel d'utilisation |
| 11 Support d'aide au démarrage | |

ÉQUIPEMENT DE SÉCURITÉ DE LA MACHINE

Généralités

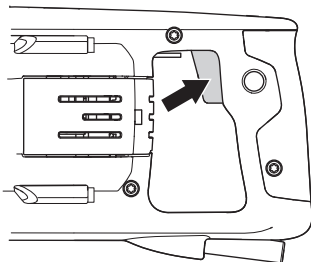


AVERTISSEMENT! Ne jamais utiliser une machine dont les équipements de sécurité sont défectueux. Si les contrôles ne donnent pas de résultat positif, confier la machine à un atelier spécialisé.

Ce chapitre présente les équipements de sécurité de la machine, leur fonction, comment les utiliser et les maintenir en bon état.

Interrupteur

L'interrupteur est utilisé pour démarrer et arrêter la machine.



Contrôle de l'interrupteur

- Démarrez la machine, relâchez l'interrupteur et contrôlez que le moteur et le trépan s'arrêtent.
- Un interrupteur défectueux doit être remplacé par un atelier d'entretien agréé.

Disjoncteur de fuite à la terre

Les disjoncteurs de fuite à la terre constituent une protection si un défaut d'origine électrique survient.

Le voyant lumineux indique que le disjoncteur de fuite à la terre est activé et que la machine peut être allumée. Si le voyant lumineux est éteint, appuyez sur le bouton RESET (vert).



Vérifiez le disjoncteur de fuite à la terre

- Branchez la machine à la prise électrique. Appuyez sur le bouton RESET (vert) et le voyant lumineux rouge s'allume.



- Démarrez la machine en appuyant sur l'interrupteur.
- Appuyez sur le bouton TEST (bleu).



- Le disjoncteur de fuite à la terre devrait s'enclencher et la machine s'éteint instantanément. Dans le cas contraire, veuillez contacter votre revendeur.
- Initialisez l'appareil à l'aide du bouton RESET (vert).

INSTRUCTIONS GÉNÉRALES DE SÉCURITÉ

Instructions générales de sécurité



AVERTISSEMENT! Lire toutes les consignes et instructions de sécurité. Le non-respect des consignes et instructions peut provoquer une électrocution, un incendie et/ou des blessures graves.

IMPORTANT! Conserver toutes ces consignes et instructions pour toute consultation ultérieure. Le terme "machine à usiner" utilisé dans les consignes fait référence à la machine branchée sur secteur ou à la machine alimentée par batterie (sans fil).

Sécurité dans l'espace de travail

- **Maintenir un espace de travail propre et bien éclairé.** Les espaces encombrés ou sombres exposent à des accidents.
- **Ne pas utiliser de machines à usiner dans des atmosphères explosives, en présence de liquides, de gaz ou de poussières inflammables par exemple.** Les machines à usiner provoquent des étincelles qui peuvent enflammer la poussière ou les vapeurs.
- **Tenir les enfants et les spectateurs à distance lorsque la machine à usiner est en marche.** Un moment d'inattention peut vous faire perdre le contrôle.

Sécurité électrique

- **Les fiches des machines à usiner doivent être adaptées à la prise. Ne jamais modifier la fiche. Ne pas utiliser de fiches d'adaptation avec des machines mises à la terre.** Les fiches non modifiées et les prises adaptées permettent de réduire le risque d'électrocution.
- **Éviter tout contact physique avec les surfaces mises à la terre telles que les tuyaux, les radiateurs, les cuisinières et les réfrigérateurs.** Le risque d'électrocution est plus important si le corps est relié à la terre.
- **Ne pas exposer les outils électriques à la pluie ou à l'humidité.** L'infiltration d'eau dans une machine à usiner augmente le risque d'électrocution.
- **Ne pas malmener le cordon. Ne jamais utiliser le cordon pour porter, tirer ou débrancher la machine.** Tenir le cordon éloigné de toute source de chaleur, de l'huile, des bords tranchants ou des pièces mobiles. Les cordons endommagés ou emmêlés augmentent le risque d'électrocution.
- **Lorsqu'une machine à usiner est utilisée à l'extérieur, installer une rallonge adaptée à un usage extérieur.** L'utilisation d'un cordon adapté à un usage extérieur réduit le risque d'électrocution.
- **Si la machine doit être mise sous tension dans un endroit humide, utilisez une alimentation protégée par un disjoncteur-détecteur de fuite à la terre.** L'utilisation d'un DDFT réduit le risque de choc électrique.

Sécurité du personnel

- **Restez attentif, regardez ce que vous faites et ayez recours à votre bon sens lorsque vous utilisez une machine à usiner. N'utilisez pas de machine à usiner si vous êtes fatigué ou si vous êtes sous l'emprise de drogues, de l'alcool ou de médicaments.** Un moment d'inattention pendant l'utilisation des machines à usiner peut entraîner des blessures corporelles graves.
- **Utilisez un équipement de protection personnelle. Travaillez toujours avec des lunettes de protection.** Les équipements de protection tels que les masques antipoussières, les chaussures de sécurité antidérapantes, le casque ou le protecteur d'oreilles utilisés dans les conditions qui conviennent réduisent les blessures corporelles.
- **Évitez tout démarrage intempestif. Vérifiez que l'interrupteur est en position OFF avant de brancher la machine à la prise et/ou au bloc d'alimentation, de la ramasser ou de la transporter.** Le fait de garder le doigt sur l'interrupteur pendant le transport des outils ou le branchement des machines alors que l'interrupteur est en position ON expose à des accidents.
- **Retirez toute clé ou clavette de calage avant de mettre la machine à usiner sous tension.** Une clé ou une clavette reliée à une pièce mobile de la machine à usiner peut entraîner des blessures corporelles.
- **Ne vous éloignez pas trop. Restez toujours en équilibre et sur vos appuis.** Cela favorise le contrôle de la machine à usiner dans les situations inattendues.
- **Habillez-vous correctement. Ne portez jamais de vêtements amples ou de bijoux. Éloignez vos cheveux, vêtements et gants des pièces mobiles.** Les vêtements amples, les bijoux et les cheveux longs peuvent rester coincés dans les pièces mobiles.
- **Si des dispositifs sont fournis pour raccorder des systèmes de collecte et d'extraction de la poussière, vérifiez qu'ils sont correctement branchés et utilisés.** L'utilisation de dépoussiéreurs peut réduire les risques associés à la poussière.

Utilisation et entretien de la machine à usiner

- **Ne pas forcer sur la machine à usiner. Utiliser la machine à usiner qui convient à l'application.** La machine qui convient réalisera mieux son travail et de façon plus sûre, à la vitesse pour laquelle elle a été conçue.
- **Ne pas utiliser la machine à usiner si l'interrupteur ne permet pas la mise sous tension ou l'arrêt.** Toute machine à usiner impossible à commander avec l'interrupteur est dangereuse et doit être réparée.
- **Débrancher la fiche de la prise et/ou du bloc d'alimentation avant de procéder aux réglages, de changer les accessoires ou de stocker la machine.** Ces mesures de sécurité préventive réduisent le risque de mise sous tension accidentelle de la machine à usiner.
- **Ranger les machines à usiner hors de la portée des enfants et ne pas laisser des personnes qui ne connaissent pas la machine ou ces consignes utiliser l'appareil.** Les machines à usiner sont dangereuses si elles sont entre les mains d'utilisateurs non formés.

INSTRUCTIONS GÉNÉRALES DE SÉCURITÉ

- **Entretien des machines à usiner. Vérifier le mauvais alignement ou la fixation des pièces mobiles, l'éventuelle rupture des pièces ou toute autre condition susceptible d'altérer le fonctionnement de la machine. Si elle est endommagée, la machine à usiner doit être réparée avant toute réutilisation.** De nombreux accidents sont dus à des machines mal entretenues.
- **Maintenir les outils tranchants aiguisés et propres.** Des outils tranchants correctement entretenus avec des bords aiguisés sont moins susceptibles de se coincer et sont plus faciles à contrôler.
- **Utiliser la machine à usiner, les accessoires, les grains, etc. en suivant ces consignes et en tenant compte des conditions de travail et de la tâche à réaliser.** L'utilisation de la machine à usiner pour des opérations autres que celles pour lesquelles elle a été prévue peut entraîner des situations dangereuses.

Service

- **Confier la réparation de la machine à usiner à un réparateur qualifié utilisant uniquement des pièces de rechange identiques.** Cela permet de garantir la sécurité de la machine.

Utilisez toujours votre bon sens

Il est impossible de mentionner toutes les situations auxquelles vous pouvez être confronté. Soyez toujours vigilant et utilisez l'appareil avec bon sens. Si vous êtes confronté à une situation où vous pensez ne pas être en sécurité, arrêtez immédiatement et consultez un spécialiste. Veuillez contacter votre revendeur, votre atelier de réparation ou un utilisateur expérimenté. Il convient d'éviter tous les travaux pour lesquels vous ne vous sentez pas suffisamment qualifié !

Consignes de sécurité moteur de foret

Le présent chapitre décrit les consignes de sécurité de base relatives à l'utilisation de la machine. Aucune de ces informations ne peut remplacer l'expérience et le savoir-faire d'un professionnel.

- Lire attentivement et bien assimiler le manuel d'utilisation avant d'utiliser la machine.
- N'oubliez pas que l'opérateur est responsable des accidents ou dangers aux tiers et à leurs biens.
- Tous les opérateurs doivent recevoir une formation sur l'utilisation de la machine. Il incombe au propriétaire de garantir que les opérateurs reçoivent une formation.

- La machine doit rester propre. Les signes et autocollants doivent être parfaitement lisibles.



AVERTISSEMENT! La machine utilisée de manière imprudente ou inadéquate peut devenir un outil dangereux, pouvant causer des blessures graves voire mortelles à l'utilisateur et aux autres personnes présentes.

Ne jamais permettre à des enfants ou à des personnes ne possédant pas la formation nécessaire d'utiliser ou d'entretenir la machine. Ne jamais laisser d'autres personnes utiliser la machine sans s'être assuré au préalable que ces personnes ont bien compris le contenu du mode d'emploi.

N'utilisez jamais la machine si vous êtes fatigué, avez bu de l'alcool ou pris des médicaments susceptibles d'affecter votre vue, votre jugement ou la maîtrise de votre corps.



AVERTISSEMENT! Toute modification non autorisée et/ou tout emploi d'accessoires non homologués peuvent provoquer des accidents graves voire mortels pour l'utilisateur et les autres.

Ne modifiez jamais cette machine de façon à ce qu'elle ne soit plus conforme au modèle d'origine et n'utilisez jamais une machine qui semble avoir été modifiée.

Ne jamais utiliser une machine qui n'est pas en parfait état de marche. Appliquer les instructions de maintenance et d'entretien ainsi que les contrôles de sécurité indiqués dans ce manuel d'utilisation. Certaines mesures de maintenance et d'entretien doivent être confiées à un spécialiste dûment formé et qualifié. Voir les instructions à la section Maintenance.

N'utiliser que des accessoires et des pièces d'origine.

Sécurité du travail

- Ne pas travailler par mauvais temps: brouillard épais, pluie diluvienne, vent violent, grand froid, etc. Travailler par mauvais temps est fatiguant et peut créer des conditions de travail dangereuses telles que le verglas.
- Ne jamais commencer à travailler avec la machine sans avoir le champ libre et les pieds bien d'aplomb. Identifier les obstacles éventuels dans le cas de déplacement inattendu. S'assurer qu'aucun matériau ne risque de tomber et de provoquer des blessures ou des dommages lors de travail avec la machine.
- Contrôlez toujours la partie arrière de la surface traversée par le trépan. Délimitez la zone de travail et vérifiez que personne ne peut être blessé ni aucun matériau endommagé.

INSTRUCTIONS GÉNÉRALES DE SÉCURITÉ

Sécurité électrique



AVERTISSEMENT! Il existe toujours un risque de choc avec les machines électriques. Évitez de travailler par mauvais temps ainsi que tout contact du corps avec du métal/un parafoudre. Suivez toujours les instructions du manuel d'utilisation pour éviter tout dommage.



AVERTISSEMENT! Ne lavez pas la machine avec de l'eau. Elle peut en effet s'infiltrer dans le système électrique ou le moteur et ainsi endommager la machine ou provoquer un court-circuit.

- Ne jamais utiliser l'outil sans le disjoncteur de fuite à la terre livré avec l'outil.
- La machine doit être branchée à une prise de terre.
- Contrôler que la tension secteur est conforme aux indications sur la plaque de la machine.
- Contrôler que le câble et la rallonge sont entiers et en bon état. Ne jamais utiliser la machine si tout câble ou bouchon est endommagé. Il convient dès lors de la confier à un atelier d'entretien agréé.
- N'utilisez pas la rallonge lorsqu'elle est enroulée afin d'éviter toute surchauffe.
- Il convient de protéger la machine à usiner de la pluie. L'infiltration d'eau dans une machine à usiner augmente le risque d'électrocution.
- Il convient de ne pas exposer la machine à usiner à davantage d'humidité que celle déjà fournie par le système à eau. Le système d'eau refroidit le foret avec de l'eau propre. S'assurer que de la boue n'entre pas dans la machine.
- Veiller à avoir le câble derrière soi lors de l'utilisation de la machine pour ne pas risquer de l'abîmer.
- Débranchez toujours la machine en cas d'interruption prolongée du travail.

Perçage à l'extérieur

- Utilisez toujours des câbles de raccordement agréés pour une utilisation à l'extérieur.

Sécurité du personnel

- Ne jamais laisser d'autres personnes utiliser la machine sans s'être assuré au préalable que ces personnes ont bien compris le contenu du mode d'emploi.
- Tenez-vous à bonne distance du trépan quand le moteur tourne. Lorsqu'il tourne, le trépan augmente le risque de blessures.
- Vérifiez qu'aucun tuyau ni câble électrique ne traverse la zone de travail.
- Ne laissez jamais la machine sans surveillance avec le moteur en marche.
- Débranchez toujours la machine en cas d'interruption prolongée du travail.

- Ne travaillez jamais seul, mais toujours avec une personne à proximité. Cette personne peut aider à monter la machine, mais aussi intervenir en cas d'accident.
- Utilisez les poignées auxiliaires fournies avec l'appareil. Toute perte de contrôle peut engendrer des blessures corporelles.

Utilisation et entretien

- Cette machine est idéale pour le forage dans du béton, de la brique ou divers autres matériaux à base de pierre. Elle peut être utilisée à la fois comme une perceuse manuelle ou rattachée à un bâti de forage.
- La machine est conçue pour des applications industrielles et destinée à des opérateurs expérimentés.
- Les contrôles et/ou les entretiens doivent être effectués avec le moteur à l'arrêt et la prise électrique débranchée.
- La machine présente un couple très élevé. Une concentration élevée est requise dans ce cas pendant le travail car le blocage soudain du foret peut entraîner des blessures graves.
- Tenez-vous à bonne distance du trépan quand le moteur tourne.
- Ne sollicitez pas la machine excessivement. Une surcharge peut endommager la machine.
- Assurez-vous que toutes les pièces sont en état de fonctionnement et que tous les éléments de fixation sont correctement serrés.
- Arrêtez toujours la machine avant de la déplacer.
- Tenez l'outil électrique par les surfaces de prise isolées lors d'une opération où l'accessoire de coupe risque de rentrer en contact avec du câblage caché ou son propre fil. Si l'accessoire de coupe entre en contact avec un câble sous tension, il risque de mettre sous tension les parties métalliques exposées de l'outil électrique et vous pourriez recevoir un choc électrique.

Forage à sec



REMARQUE ! Pendant le perçage, la poussière générée peut occasionner des blessures si elle est aspirée. Lors d'un forage à sec, reliez la machine à un aspirateur pour une gestion efficace des poussières.

Forage dans le plafond

ATTENTION ! L'admission d'air ne doit pas être recouverte.

Utilisez un collecteur d'eau pour éviter l'infiltration de l'eau dans la machine.

INSTRUCTIONS GÉNÉRALES DE SÉCURITÉ

Elgard™

ATTENTION ! Ne surchargez pas la machine de façon répétée. Cela pourrait endommager la machine.

Lorsque le moteur est trop sollicité, il se met à pulser grâce à la protection contre les surcharges. En réduisant alors la charge, le moteur revient à un régime normal.

En cas de forte sollicitation de la machine ou si le foret est coincé, la protection contre les surcharges coupe le courant. Réinitialiser la machine en éteignant l'appareil et en le rallumant.

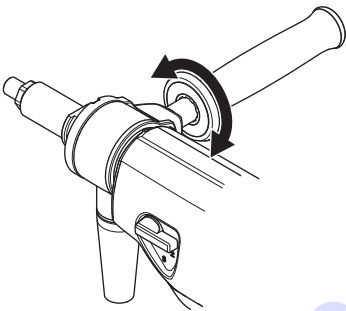
Si le foret est coincé, l'accouplement à glissement mécanique protège la boîte de vitesses avant que la protection contre les surcharges ne coupe le courant.

Perçage manuel



AVERTISSEMENT! Ne tenez pas la machine dans la main en première vitesse car la machine a alors un couple élevé qui peut entraîner des blessures si le foret se bloque.

- Utilisez toujours le foret avec un diamètre maximal de 80 mm pour le perçage manuel. La violence de la réaction en cas de blocage du foret augmente avec le diamètre du foret.
- Verrouillez la poignée avant pivotante fermement avant de commencer le forage.



- Sur une échelle, n'utilisez jamais la perceuse manuellement. Le perçage manuel dans ces situations est dangereux, car le risque de chute en cas de blocage du foret est très élevé.



Perçage avec support

- Utilisez toujours le support pour perceuse si le perçage est effectué sur une échelle ou des échafaudages.
- Assurez-vous que le support est bien ancré.
- Assurez-vous que la perceuse est correctement fixée sur le support.

MONTAGE ET RÉGLAGES

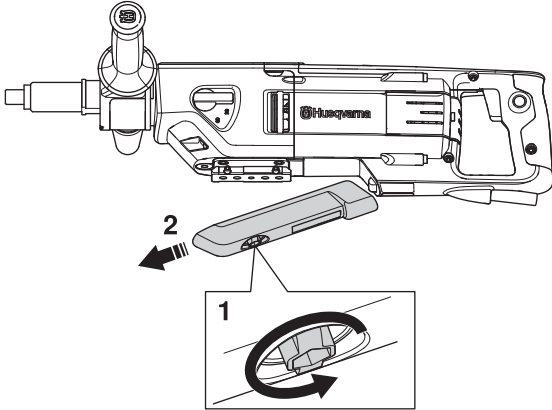
Montage



AVERTISSEMENT! La machine doit être éteinte avec le câble électrique débranché de la prise.

Montage sur le bâti

- Dévissez la vis. Retirez le capot de protection.



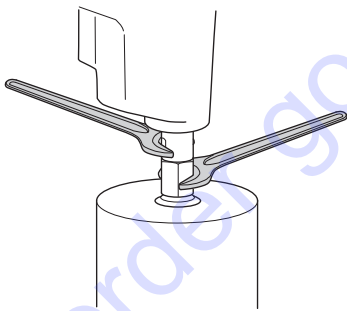
- Référez-vous aux instructions du manuel de l'opérateur pour le bâti en question.

Positionnement/remplacement du foret



REMARQUE ! Le foret et sa zone environnante sont brûlants après utilisation. Laissez la machine refroidir avant d'ôter le foret. Utilisez des gants de protection.

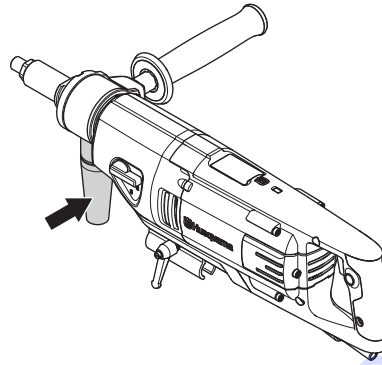
- Étalez de la graisse résistant à l'eau sur le filetage du foret.
- Montez le foret à l'aide des clés à ouverture fixe.



- Avant de démarrer la machine, vérifiez que le nouveau foret est solidement fixé.

Brancher l'aspirateur.

- Lors d'un forage à sec, reliez la machine à un aspirateur pour une gestion efficace des poussières.



COMMANDE

Équipement de protection

Généralités

Ne jamais utiliser une machine s'il n'est pas possible d'appeler au secours en cas d'accident.

Équipement de protection personnelle

Un équipement de protection personnelle homologué doit impérativement être utilisé lors de tout travail avec la machine. L'équipement de protection personnelle n'élimine pas les risques mais réduit la gravité des blessures en cas d'accident. Demander conseil au concessionnaire afin de choisir un équipement adapté.



AVERTISSEMENT! L'utilisation de produits tels que des ciseaux, des disques, des forets, des disques fins ou des formes peut générer de la poussière et des vapeurs pouvant contenir des substances chimiques toxiques. Vérifiez la composition du matériel avec lequel vous travaillez et portez un masque respiratoire adapté.



AVERTISSEMENT! Une exposition prolongée au bruit risque de causer des lésions auditives permanentes. Toujours utiliser des protecteurs d'oreille agréés. Soyez toujours attentifs aux signaux d'alerte ou aux appels en portant des protège-oreilles. Enlevez-les s'ilôt le moteur arrêté.



AVERTISSEMENT! Le risque de coincement est toujours présent lors de travail avec des produits comportant des éléments mobiles. Utiliser des gants de protection pour éviter les blessures personnelles.

Toujours utiliser:

- Casque de protection
- Protecteur d'oreilles
- Lunettes protectrices ou visière
- Masque respiratoire
- Gants solides permettant une prise sûre.
- Vêtements confortables, robustes et serrés qui permettent une liberté totale de mouvement.
- Bottes avec coquille en acier et semelle antidérapante

Attention! Les habits, les cheveux longs et les bijoux peuvent se coincer dans les parties en mouvement.

Autre équipement de protection



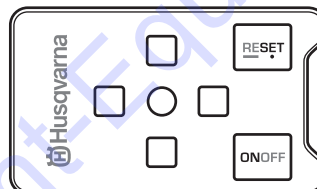
AVERTISSEMENT! Lorsque vous travaillez avec la machine, des étincelles peuvent se former et mettre le feu. Gardez toujours à portée de main les outils nécessaires à l'extinction d'un feu.

- Matériel de protection contre le feu
- Une trousse de premiers secours doit toujours être disponible.

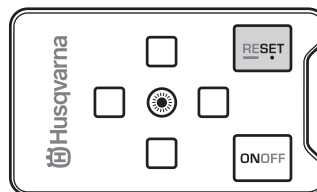
Techniques de travail de base

Level guiding system

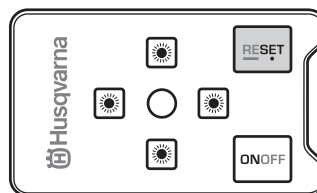
Le Level guiding system de la machine fonctionne comme un niveau électronique et permet à l'utilisateur de percer dans la position requise. En visualisant le voyant LED en haut de la machine et avec un bon réglage, le perçage est plus facile pour l'opérateur et offre une plus grande précision.



Le LED central vert s'allume dès que la machine se trouve dans la position requise.

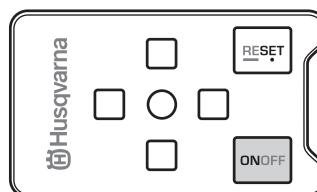


Les autres LED rouges indiquent sous quel angle la machine doit être placée pour atteindre la position requise.



Activer le système

- Appuyer sur le bouton ON/OFF (marche/arrêt) pour activer le système.



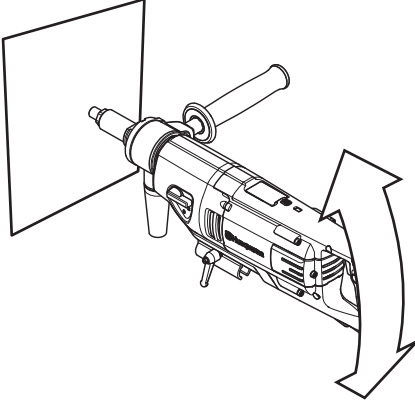
- Cette fonction permet de détecter sous quel angle la machine est placée et modifie la position en conséquence.

COMMANDE

Position horizontale

Les LED centraux verts s'allument lorsque la machine est alignée à l'horizontale.

Le système détecte le décalage de la machine par rapport au niveau horizontal.

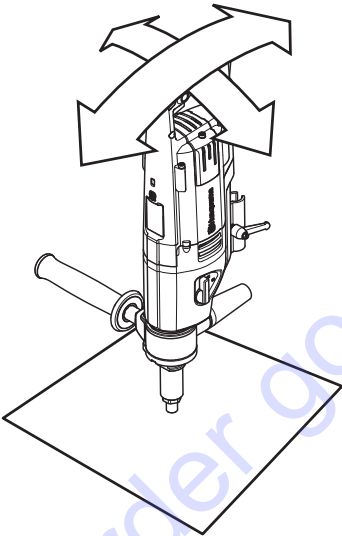


Si l'arrière de la machine est orienté vers le bas, le LED central vert s'éteint et le LED avant rouge s'allume. Si l'extrémité arrière de la machine est orientée vers le haut, le LED rouge arrière s'allume.

Position verticale

Le LED central vert s'allume lorsque la machine est alignée à la verticale.

Le système détecte les décalages sur deux plans.



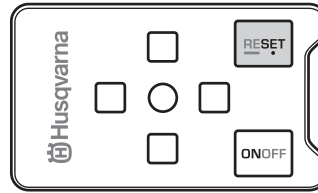
Si l'arrière de la machine est orienté vers le bas, le LED central vert s'éteint et le LED avant rouge s'allume. Si l'extrémité arrière de la machine est orientée vers le haut, le LED rouge arrière s'allume.

Si l'extrémité arrière de la machine est orientée vers la droite, le LED central vert s'éteint et le LED gauche rouge s'allume. Si l'extrémité arrière de la machine est orientée vers la gauche, le LED rouge de droite s'allume.

Réglage personnalisé de l'angle

Le Level guiding system de la machine peut être configuré afin de définir un angle de perçage personnalisé.

- Maintenir la machine avec l'angle requis et appuyer sur le bouton RESET (réinitialisation).



- Remettre l'angle à zéro en maintenant le bouton RESET enfoncé pendant environ 3 secondes.

Le réglage est également remis zéro si la machine est débranchée de la prise pendant une longue période.

Désactiver le système

Le système peut être désactivé provisoirement en appuyant sur le bouton ON/OFF. La désactivation est remise à zéro si le bouton Marche/Arrêt est à nouveau enfoncé ou lorsque l'alimentation est coupée.

Le système est désactivé de façon provisoire lorsque l'on appuie sur le bouton ON/OFF pendant environ 3 secondes. Appuyer sur le bouton ON/OFF pour réactiver le système.

Transport et rangement

- Pour éviter d'endommager la perceuse et le foret, ne stockez ni ne transportez la perceuse avec le trépan monté.
- Sécurisez l'équipement lors du transport afin d'éviter tout dommage ou accident.
- Stockez l'équipement dans un endroit verrouillé afin de le maintenir hors de portée des enfants et de toute personne incompétente.
- Rangez la machine et ses équipements dans un endroit sec et à l'abri du gel.

DÉMARRAGE ET ARRÊT

Avant le démarrage



AVERTISSEMENT! Lire attentivement et bien assimiler le manuel d'utilisation avant d'utiliser la machine.

Utiliser les équipements de protection personnelle. Voir au chapitre "Équipement de protection personnelle".

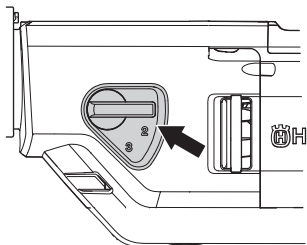
Veiller à ce qu'aucune personne non autorisée ne se trouve dans la zone de travail pour éviter le risque de blessures graves.

- Vérifiez que la machine est correctement montée et ne présente aucun dommage. Voir les instructions à la rubrique « Assemblage et réglages ».
- Effectuez un entretien quotidien. Voir les instructions au chapitre « Entretien ».

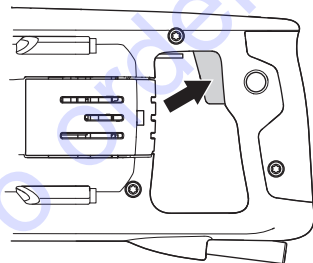
Démarrage

ATTENTION ! Le changement de vitesse doit se faire uniquement lorsque la machine est éteinte. La boîte de vitesses risque d'être endommagée si ce n'est pas le cas.

- Réglez la vitesse de travail en tournant la broche et en réglant simultanément le sélecteur de vitesse sur la position souhaitée.



- Activez le refroidissement par eau (perçage à l'eau) ou mettez l'aspirateur sous tension (perçage à sec).
- Enfoncez l'interrupteur à moitié pour activer la fonction Smart Start et entièrement pour un forage à pleine vitesse.



Arrêt



REMARQUE ! Le trépan continue à tourner un moment après l'arrêt du moteur. Assurez-vous que le foret peut tourner librement jusqu'à son arrêt complet. Toute négligence peut causer de graves blessures.

- Laissez la machine tourner à vide une minute environ pour refroidir le moteur.
- Le moteur d'arrête quand l'interrupteur est relâché.

Généralités



AVERTISSEMENT! L'utilisateur ne peut effectuer que les travaux d'entretien et de révision décrits dans ce manuel d'utilisation. Les mesures plus importantes doivent être effectuées dans un atelier d'entretien agréé.

Éteindre la machine et débrancher la prise d'alimentation.

Utiliser les équipements de protection personnelle. Voir au chapitre "Équipement de protection personnelle".

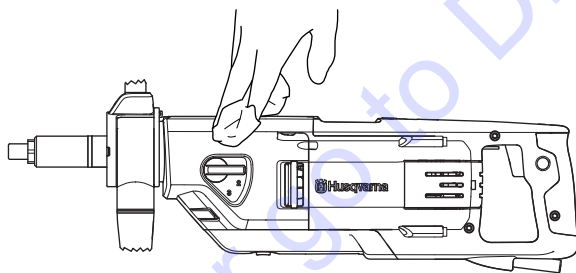
La durée de vie de la machine risque d'être écourtée et le risque d'accidents accru si la maintenance de la machine n'est pas effectuée correctement et si les mesures d'entretien et/ou de réparation ne sont pas effectuées de manière professionnelle. Pour obtenir de plus amples informations, contacter l'atelier de réparation le plus proche.

Entretien Quotidien

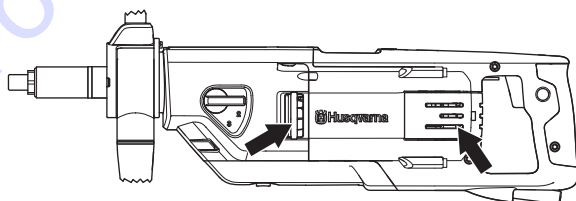
- Vérifiez que l'équipement de sécurité de la machine est en parfait état. Voir instructions à la rubrique « Équipement de sécurité de la machine ».
- Contrôler que le câble et la rallonge sont entiers et en bon état.
- Nettoyer l'extérieur de la machine.

Nettoyage

- Nettoyez la machine et les forets afin de garantir la sécurité pendant le perçage.



- La poignée doit être sèche et ne présenter aucune trace de graisse ni d'huile.
- Pour que le refroidissement de la machine fonctionne correctement, les ouvertures de l'air de refroidissement doivent être propres et ne pas être bouchées. Nettoyer régulièrement la machine à l'air comprimé.



- Utilisez de l'air comprimé pour nettoyer le moteur à intervalles réguliers. Retirez le capot de contrôle et nettoyez le capot.

Robinet d'eau

Contrôler que le robinet d'eau fonctionne correctement. Ne pas utiliser de tuyaux tordus, usés ou endommagés.

Alimentation électrique



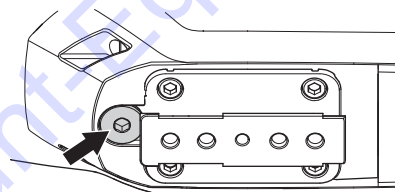
AVERTISSEMENT! N'utilisez jamais de câbles endommagés car ils peuvent entraîner des blessures graves, voire mortelles.

Contrôler que le câble et la rallonge sont entiers et en bon état. Ne pas utiliser la machine si le câble est endommagé, la confier à un atelier d'entretien agréé pour réparation.

Remplacement de l'huile de la boîte de vitesses

L'huile de la boîte de vitesses doit être remplacée par intervalle de 400 heures de fonctionnement.

- Desserrez le bouchon de remplissage d'huile.



- Videz l'huile dans un récipient. Manipulez l'huile avec précaution pour des raisons de considérations environnementales. Suivez les consignes locales de recyclage.

Si nécessaire, contactez le revendeur pour le nettoyage de la boîte de vitesses.

- Versez l'huile neuve dans la boîte de vitesses, environ 0,25 l. Consulter les caractéristiques techniques pour obtenir des recommandations sur le type d'huile qu'il convient d'utiliser.
- Le bouchon de remplissage d'huile se fixe à l'aide d'un aimant qui capture les particules de métal. Nettoyez le bouchon de remplissage d'huile et revissez-le.

Remplacement des balais de charbon

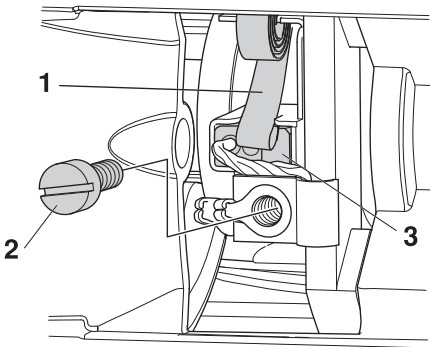


AVERTISSEMENT! Éteindre la machine et débrancher la prise d'alimentation.

Les balais de charbon doivent être démontés et contrôlés régulièrement. Chaque semaine en cas d'utilisation quotidienne de la machine ou à intervalle plus long si la machine est utilisée moins souvent. La surface d'usure doit être lisse et intacte.

Les deux balais de charbon doivent toujours être remplacés au même moment, mais un à la fois.

- Retirez le capot d'inspection.
- Soulevez le ressort de retenue du balai d'un côté (1).



- Desserrez la vis (2).
- Retirez le raccord du charbon.
- Sortez le balai de charbon du support (3).
- Nettoyer le porte-balai avec de l'air comprimé ou une brosse. En cas d'usure, remplacer le balai.
- Monter les nouveaux balais de charbon et contrôler en même temps qu'ils glissent facilement dans leurs supports.
- Installez le ressort de maintien du charbon.
- Glissez le raccord du charbon sous la vis.
- Répétez cette procédure pour l'autre charbon.
- Revissez le capot d'inspection.
- Laissez tourner la machine à vide pendant 10 minutes pour roder les nouveaux charbons.

CARACTÉRISTIQUES TECHNIQUES

DM 220

Moteur électrique	Monophasé
Tension nominale, V	220-240/100-120
Puissance nominale, W	1850

Courant nominal, A

220-240 V	8 A
100-120 V	13 A

Poids, lb/kg	7
--------------	---

Diamètre du trépan, mm

Diamètre maximal du trépan, avec support	150 mm (5,9")
Diamètre maximal de couronne de forage, manuelle	80 mm (3.14")

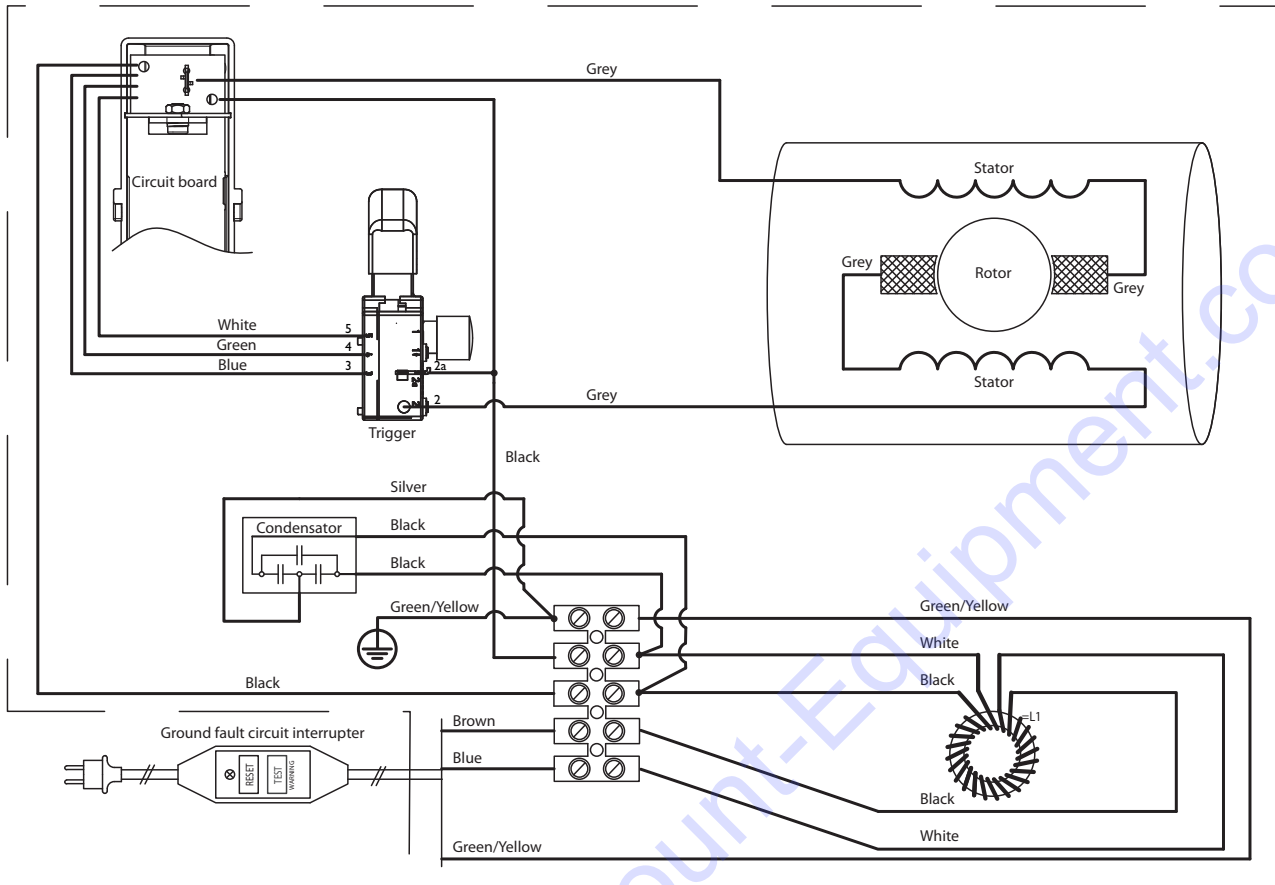
Filetage de la broche	G 1/2"	G 1 1/4"
Raccord de l'eau	G 1/4"	
Pression max. de l'eau, bar	8	

Vitesses et tailles de forage

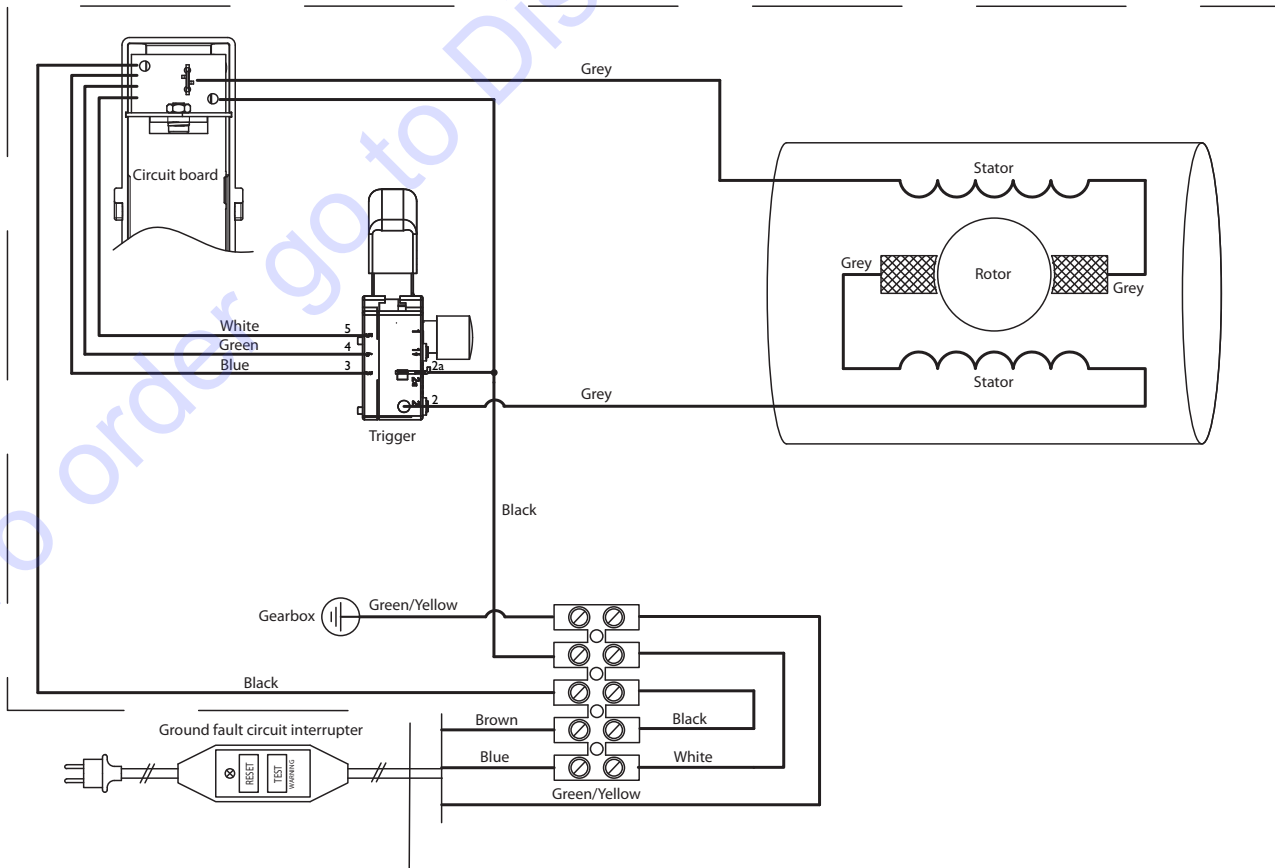
Engrenage	Vitesse de perçage avec charge, tr/min	Vitesse de perçage sans charge, tr/min	Perçage manuel		Perçage avec support	
			Taille de foret recommandée, mm	Taille de foret recommandée, pouces	Taille de foret recommandée, mm	Taille de foret recommandée, pouces
1	580	730	Non recommandé	Non recommandé	100-150	4-6
2	1400	1700	40-80	2-4	40-80	2-4
3	2900	3600	0-40	0-2	0-40	0-2

SCHÉMA ÉLECTRIQUE

230 V



110 V



ACLARACION DE LOS SIMBOLOS

Símbolos en la máquina

¡ATENCIÓN! La máquina, si se utiliza de forma errónea o descuidada, puede ser una herramienta peligrosa que puede causar daños graves e incluso la muerte al usuario y a otras personas.



Lea detenidamente el manual de instrucciones y asegúrese de entender su contenido antes de utilizar la máquina.



Utilice el equipo de protección personal. Vea las instrucciones bajo el título "Equipo de protección personal".



Se ajusta a UL Std 60745-1, 60745-2-1 certificadas a CSA C22.2 No. 60745-1, 60745-2-1.



Etiquetado ecológico. El símbolo en el producto o en su envase indica que no se puede tratar este producto como desperdicio doméstico. Deberá por lo tanto depositarse en un centro de recogida adecuado para el reciclado de equipos eléctricos y electrónicos.



Haciendo que este producto sea manipulado adecuadamente, se ayuda a evitar consecuencias negativas potenciales para el medio ambiente y las personas, lo que puede ocurrir con la manipulación inadecuada como residuos del producto.

Para obtener información más detallada sobre el reciclado de este producto, contacte con la oficina municipal local, con el servicio de eliminación de desperdicios domésticos o con la tienda donde compró el producto.

Al perforar en techo, comprobar que no puede entrar agua en la máquina. Utilice un colector de agua adecuado.



Los demás símbolos/etiquetas que aparecen en la máquina corresponden a requisitos de homologación específicos en determinados mercados.

Explicación de los niveles de advertencia

Las advertencias se clasifican en tres niveles.

¡ATENCIÓN!



¡ATENCIÓN! Indica un riesgo de daños graves para el usuario o incluso muerte, o bien daños al entorno, si no se siguen las instrucciones del manual.

¡NOTA!



¡NOTA! Indica un riesgo de lesiones para el usuario o daños al entorno si no se siguen las instrucciones del manual.

AVISO

AVISO Indica un riesgo de daños en los materiales o en la máquina si no se siguen las instrucciones del manual.

Antes de arrancar, observe lo siguiente:



¡ATENCIÓN! El material que se corta a menudo contiene sílice y, al cortarlo en SECO particularmente, desprende polvo. La sílice es un componente básico de la arena, la arcilla para ladrillos, del cuarzo, del granito, y de varios otros minerales y rocas. La exposición a una cantidad excesiva de polvo de sílice puede causar:

Enfermedades respiratorias (que afectan su habilidad para respirar) como bronquitis crónicas, silicosis y fibrosis pulmonares por exposición a la sílice. Estas enfermedades pueden ser mortales.

Irritación y erupción de la piel.

Cáncer, según el Programa Nacional de Toxicología (NTP) y el Centro Internacional de Investigaciones sobre el Cáncer (IARC).

Tome medidas de precaución:

Evite el contacto de la piel con el polvo, vapor y humo, y su inhalación.

Use, y asegúrese de que quienes lo rodean usen, indumentaria de protección del aparato respiratorio como las mascarillas antipolvo diseñadas para filtrar partículas microscópicas. (Consulte las normas de la OSHA: 29 CFR Parte 1910.1200.)

Corte en húmedo, en la medida de lo posible, para minimizar la cantidad de polvo.

INDICE

Índice

ACLARACION DE LOS SIMBOLOS

Símbolos en la máquina	37
Explicación de los niveles de advertencia	37
Antes de arrancar, observe lo siguiente:	37

INDICE

Índice	38
--------------	----

PRESENTACIÓN

Apreciado cliente:	39
Diseño y funciones	39
Características	39

¿QUE ES QUE?

Componentes de la taladradora	40
-------------------------------------	----

EQUIPO DE SEGURIDAD DE LA MÁQUINA

Generalidades	41
---------------------	----

INSTRUCCIONES GENERALES DE SEGURIDAD

Instrucciones generales de seguridad	42
Instrucciones de seguridad del motor de la perforadora	43

MONTAJE Y AJUSTES

Montaje	46
---------------	----

FUNCIONAMIENTO

Equipo de protección	47
Técnica básica de trabajo	47
Transporte y almacenamiento	48

ARRANQUE Y PARADA

Antes del arranque	49
Arranque	49
Parada	49

MANTENIMIENTO

Generalidades	50
Mantenimiento Diario	50
Limpieza	50
Grifo de agua	50
Suministro eléctrico	50
Cambio del aceite de la caja de cambios	50
Cambio de escobillas de carbón	51

DATOS TECNICOS

Velocidad de taladrado y tamaños de taladro	52
---	----

ESQUEMA DE CONEXIONES ELÉCRICAS

230 V	53
110 V	53

DECLARACIÓN DE GARANTÍA PARA EE. UU.

POLÍTICA DE GARANTÍA	54
EQUIPO	54

PRESENTACIÓN

Apreciado cliente:

Gracias por elegir un producto Husqvarna.

Esperamos que su máquina le proporcione plena satisfacción y le sirva de ayuda por mucho tiempo en adelante. La adquisición de alguno de nuestros productos da acceso a asistencia profesional con reparaciones y servicio. Si la máquina no fue adquirida en un distribuidor oficial, preguntar en la tienda de compra la dirección del taller de servicio más cercano.

Este manual de instrucciones es un documento importante. Procure tenerlo siempre a mano en el lugar de trabajo. Siguiendo sus instrucciones (de uso, servicio, mantenimiento etcétera) puede alargar considerablemente la vida útil de la máquina e incrementar su valor de reventa. Si vende su máquina, entregue el manual de instrucciones al nuevo propietario.

Más de 300 años de innovación

La fundación de la empresa sueca Husqvarna AB data del año 1689, cuando el Rey Karl XI encargó la construcción de una fábrica para la fabricación de mosquetes. En ese momento se establecieron los cimientos de la experiencia tecnológica en la que se basan muchos de los productos punteros en el mundo en el sector de las armas de caza, bicicletas, motocicletas, electrodomésticos, máquinas de coser y productos para exteriores.

Husqvarna es líder internacional en productos motorizados para exteriores destinados a la silvicultura, el mantenimiento de parques y el cuidado del césped y del jardín, así como equipos de corte y herramientas de diamante para el sector de la construcción y la piedra.

Responsabilidad del propietario

El propietario / empresario es el responsable de asegurarse de que el usuario tiene los conocimientos necesarios para utilizar la máquina con seguridad. Los supervisores y los usuarios deben haber leído y entendido el manual de instrucciones. Deben tener conocimiento de lo siguiente:

- Las instrucciones de seguridad de la máquina.
- Las aplicaciones y las limitaciones de la máquina.
- El modo de uso y de mantenimiento de la máquina.

La utilización de esta máquina podría estar regulada por la legislación nacional vigente. Infórmese sobre la legislación vigente en el lugar donde trabaja antes de empezar a utilizar la máquina.

Los derechos que se reserva el fabricante.

Tras la publicación de este manual, Husqvarna podría publicar información adicional para el funcionamiento seguro de este producto. Es responsabilidad del propietario mantenerse informado de los métodos de funcionamiento más seguros.

Husqvarna AB trabaja constantemente para perfeccionar sus productos y se reserva, por lo tanto, el derecho a introducir modificaciones en la construcción y el diseño sin previo aviso.

Diseño y funciones

El alto rendimiento, la fiabilidad, la tecnología innovadora, las soluciones técnicas avanzadas y el respeto medioambiental son los valores que caracterizan a los productos de Husqvarna. El usuario debe leer este manual detenidamente para garantizar un funcionamiento seguro del producto. Póngase en contacto con su concesionario o con Husqvarna si necesita más información.

A continuación se describen algunas de las características únicas de su producto.

Características

El alto rendimiento, la fiabilidad, la tecnología innovadora, las soluciones técnicas avanzadas y el respeto medioambiental son los valores que caracterizan a los productos de Husqvarna.

A continuación se describen algunas de las características únicas de su producto.

Softstart™

Softstart™ es un limitador de sobreintensidad electrónico que permite un arranque más suave.

Smart Start®

La máquina funciona a una velocidad inferior si está activada la función Smart Start. Esto facilita el taladrado del material.

Elgard™

Elgard™ es una protección contra sobrecarga electrónica que protege el motor. Dicha protección protege la máquina y amplía su vida útil. Gracias a Elgard™, la máquina indica cuándo se aproxima a la carga máxima.

Level guiding system

El Level guiding system de la máquina funciona como un nivel electrónico y ayuda al usuario a taladrar en la ubicación deseada. El operario solo tiene que leer el indicador LED situado en la parte superior de la máquina y ajustarlo debidamente. De esta forma, la perforación resulta más sencilla y se consigue una mayor precisión.

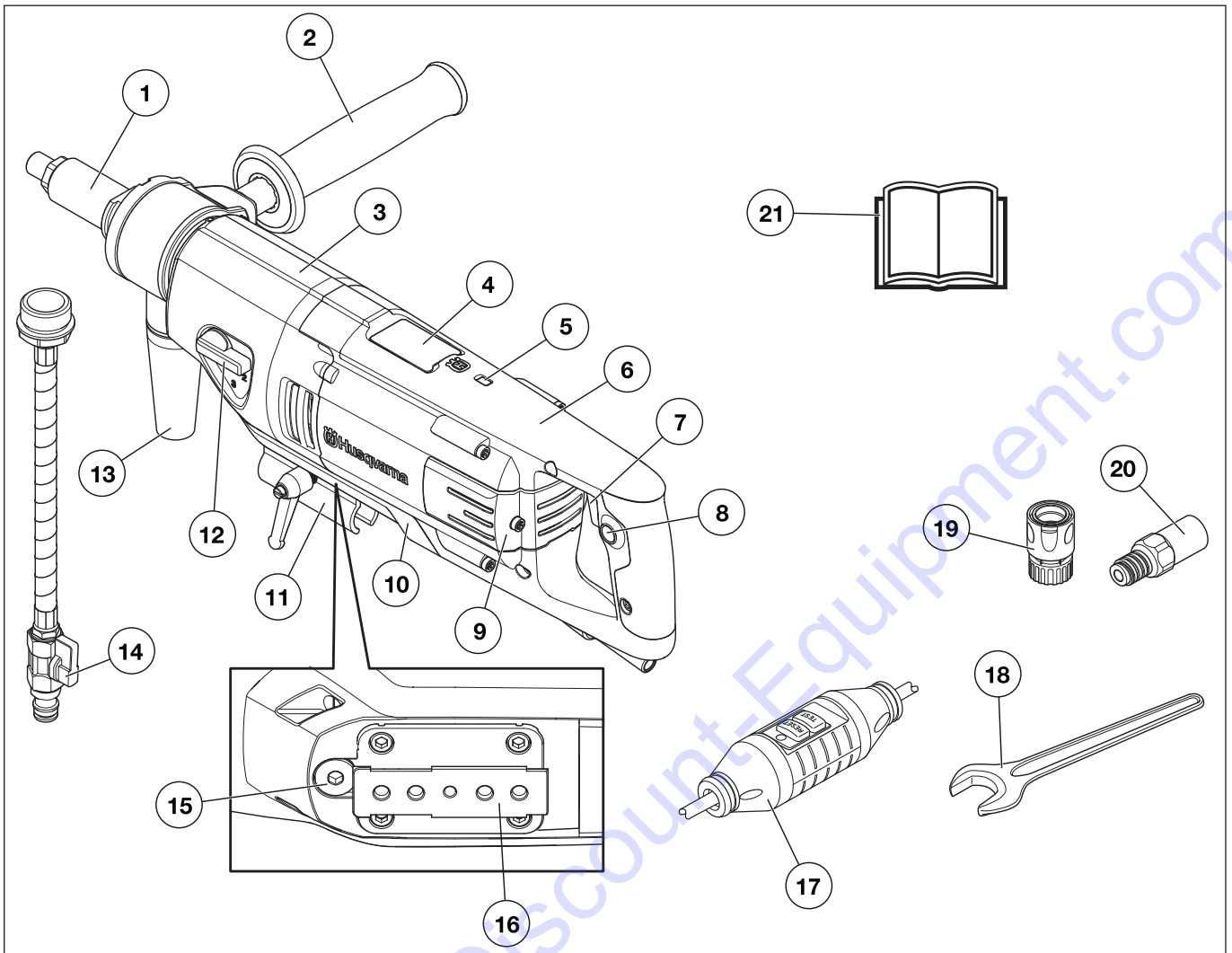
Empuñadura girable

La empuñadura puede pivotar completamente alrededor del eje y bloquearse en cualquier posición.

Boquilla de agua / polvo girable

La boquilla puede girarse libremente alrededor del eje y bloquearse en cualquier posición. La boquilla está conectada a una fuente de agua al taladrar en húmedo y a un aspirador al taladrar en seco.

¿QUE ES QUE?



Componentes de la taladradora

- | | |
|---|--|
| 1 Husillo de taladradora | 12 Manija de cambio |
| 2 Empuñadura girable | 13 Conexión para la aspiradora |
| 3 Caja de engranajes | 14 Conexión de agua |
| 4 Indicador de nivel electrónico | 15 Tapón del aceite |
| 5 Indicador de potencia | 16 Fijación del soporte |
| 6 Motor | 17 Interruptor de circuito de pérdida a tierra |
| 7 Bloqueador de interruptor con Smart Start® | 18 Llaves |
| 8 Botón de bloqueo, bloqueador de interruptor | 19 Conexión de agua |
| 9 Tapa de inspección | 20 Adaptador (sólo EE.UU.) |
| 10 Cubierta protectora | 21 Manual de instrucciones |
| 11 Soporte para «Starthelper» | |

EQUIPO DE SEGURIDAD DE LA MÁQUINA

Generalidades

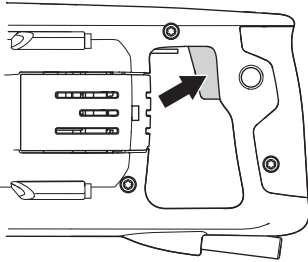


¡ATENCIÓN! Nunca utilice una máquina con componentes de seguridad defectuosos. Si su máquina no pasa todos los controles, entréguela a un taller de servicio para su reparación.

En este capítulo se describen los componentes de seguridad de la máquina, su función y el modo de efectuar el control y el mantenimiento para garantizar un funcionamiento óptimo.

Interruptor

El interruptor se usa para arrancar y parar la máquina.



Control del interruptor

- Arrancar la máquina, soltar el interruptor y controlar que se para el motor y la broca.
- Un interruptor defectuoso debe ser cambiado por un taller de servicio oficial.

Interruptor de circuito de pérdida a tierra

Los interruptores de circuito de pérdida a tierra aportan protección en caso de que se produzca un fallo eléctrico.

El LED indica que el interruptor de circuito de pérdida a tierra está encendido y que la máquina puede encenderse. Si el LED no está encendido, pulse el botón RESET (Reinicio) (verde).



Compruebe el interruptor de circuito de pérdida a tierra

- Conecte la máquina a la toma. Pulse el botón RESET (verde) y el LED rojo se encenderá.



- Arrancar la máquina pulsando el interruptor.
- Pulse el botón TEST (Prueba) (azul).



- El interruptor de circuito de pérdida a tierra se activará y la máquina se apagará inmediatamente. En caso contrario, póngase en contacto con su distribuidor.
- Reinicielo pulsando el botón RESET (verde).

INSTRUCCIONES GENERALES DE SEGURIDAD

Instrucciones generales de seguridad



¡ATENCIÓN! Lea todas las advertencias e instrucciones de seguridad. No atender a estas advertencias e instrucciones puede provocar descargas eléctricas, incendios y lesiones graves.

¡IMPORTANTE! Conserve todas las advertencias e instrucciones para su consulta. El término «herramienta eléctrica» empleado en las advertencias hace referencia a una herramienta eléctrica que funciona con conexión a la red de suministro (con cable) o a una herramienta que funciona con batería (sin cable).

Seguridad en el área de trabajo

- **Mantenga el área de trabajo limpia y bien iluminada.** Las zonas abarrotadas de cosas u oscuras favorecen los accidentes.
- **No maneje herramientas eléctricas en ambientes explosivos como aquellos en los que hay líquidos, gases o polvo inflamables.** Las herramientas eléctricas producen chispas que pueden inflamar el polvo o los vapores.
- **Mantenga alejados a los niños y a otras personas mientras trabaje con una herramienta eléctrica.** Las distracciones pueden hacer que pierda el control de esta.

Seguridad eléctrica

- **Los enchufes de las herramientas eléctricas deben corresponder a la toma de corriente utilizada. No modifique nunca el enchufe de modo alguno. No utilice adaptadores para las herramientas eléctricas con conexión a tierra.** No modificar los enchufes y usar las tomas de corriente que se adapten a estos reducirán el riesgo de descarga eléctrica.
- **Evite el contacto de su cuerpo con superficies puestas a tierra como tuberías, radiadores, cocinas y neveras.** Si su cuerpo está en contacto con el suelo, existe un mayor riesgo de descarga eléctrica.
- **No exponga las herramientas eléctricas a la lluvia o a ambientes húmedos.** El riesgo de recibir descargas eléctricas aumentará si penetra agua en la herramienta eléctrica.
- **Maneje el cable con cuidado. No lo utilice nunca para transportar, tirar o desenchufar la herramienta eléctrica. Manténgalo alejado de fuentes de calor, aceite, aristas vivas o piezas móviles.** Los cables dañados o enredados incrementan el riesgo de descarga eléctrica.
- **Cuando trabaje con una herramienta eléctrica en exteriores, utilice un alargador indicado para este uso.** Utilizar un cable adecuado para su uso en exteriores reduce el riesgo de descarga eléctrica.
- Si es necesario utilizar una herramienta eléctrica en un lugar húmedo, utilice suministro eléctrico protegido con un interruptor diferencial. La utilización de un interruptor diferencial reduce el riesgo de descargas eléctricas.

Seguridad personal

- **Esté siempre atento, fíjese en lo que está haciendo y utilice el sentido común cuando maneje una herramienta eléctrica. No utilice herramientas eléctricas si está cansado o bajo los efectos de estupefacientes, alcohol o medicamentos.** Un momento de descuido, mientras se trabaja con herramientas eléctricas, puede causar lesiones graves.
- **Utilice el equipo de protección individual. Utilice siempre protección para los ojos.** El equipo de protección, como la mascarilla antipolvo, los zapatos de seguridad antideslizantes, el casco o los protectores auditivos, utilizados en función de las condiciones de trabajo, reducirán el riesgo de lesiones.
- **Evite el encendido accidental de la herramienta. Asegúrese de que el interruptor está en la posición de apagado antes de conectar la máquina a la fuente de alimentación y/o la batería, cogerla o transportarla.** Transportar herramientas eléctricas con el dedo puesto sobre el interruptor o encenderlas con el interruptor en la posición de encendido puede provocar accidentes.
- **Quite todas las clavijas de ajuste o llaves de tuercas antes de encender la herramienta eléctrica.** Una llave de tuercas o clavija de ajuste que se ha dejado colocada en una pieza giratoria de la herramienta eléctrica puede causar lesiones.
- **No se estire demasiado. Mantenga una posición correcta y el equilibrio en todo momento.** Esto le permitirá controlar mejor la herramienta eléctrica en situaciones imprevistas.
- **Utilice la ropa adecuada. No utilice nunca ropa amplia ni joyas. Mantenga el pelo, la ropa y los guantes alejados de las piezas móviles.** La ropa amplia, las joyas o el pelo largo pueden quedar atrapados en las piezas móviles.
- **Si se suministran equipos de aspiración o captación de polvo, asegúrese de que estén conectados y se utilicen correctamente.** El uso de estos equipos puede reducir los riesgos derivados del polvo.

Uso y cuidado de la herramienta eléctrica

- **No sobrecargue la herramienta eléctrica. Utilice la herramienta eléctrica adecuada para el trabajo que debe realizar.** Con la herramienta eléctrica apropiada hará el trabajo mejor y con mayor seguridad a la potencia para la que fue diseñada.
- **No utilice la herramienta eléctrica si el interruptor no funciona.** Las herramientas que no se puedan controlar con el interruptor son peligrosas y deben repararse.
- **Desconecte el enchufe de la fuente de alimentación y/o la batería de la herramienta eléctrica antes de realizar cualquier ajuste, cambiar accesorios o guardarla.** Estas medidas de seguridad preventivas reducen el riesgo de encendido accidental de la herramienta eléctrica.
- **Guarde las herramientas eléctricas que no se utilicen fuera del alcance de los niños y no permita que personas no familiarizadas con su uso o con estas instrucciones las manejen.** Las herramientas eléctricas resultan peligrosas en manos de usuarios no cualificados.

INSTRUCCIONES GENERALES DE SEGURIDAD

- **Cuide las herramientas. Compruebe que no haya partes móviles mal alineadas o trabadas, piezas rotas o cualquier otra circunstancia que pueda afectar al funcionamiento de la herramienta eléctrica. Si detecta daños, haga reparar la herramienta eléctrica antes de utilizarla.** Muchos accidentes se deben al uso de herramientas eléctricas que carecen de un mantenimiento adecuado.
- **Mantenga las herramientas de corte afiladas y limpias.** Las herramientas de corte con aristas afiladas y un mantenimiento adecuado tienen menos probabilidades de trabarse y son más fáciles de controlar.
- **Utilice la herramienta eléctrica, los accesorios, útiles, etc. según se indica en estas instrucciones, teniendo en cuenta las condiciones de trabajo y la tarea que debe realizar.** El uso de la herramienta eléctrica para trabajos distintos a aquellos para los que fue diseñada podría dar lugar a situaciones peligrosas.

Servicio

- **Solicite que su herramienta eléctrica sea reparada por personal cualificado y utilizando únicamente piezas de repuesto originales.** Esto garantizará la seguridad de la herramienta.

Emplee siempre el sentido común

Es imposible abarcar todas las situaciones imaginables que se pueden producir al utilizar una taladradora. Proceder siempre con cuidado y emplear el sentido común. Si se encuentra en alguna situación que le haga sentirse inseguro, deténgase y consulte con un experto. Consulte a su distribuidor, al taller de servicio técnico o a un usuario experimentado. No emplee la máquina en aplicaciones para las que no se considere plenamente cualificado.

Instrucciones de seguridad del motor de la perforadora

Este apartado trata las normas de seguridad básicas para trabajar con el dispositivo. Esta información no sustituye en ningún caso los conocimientos y la experiencia de un profesional.

- Lea detenidamente el manual de instrucciones y asegúrese de entender su contenido antes de utilizar la máquina.
- Debe tenerse en cuenta que el operador es responsable de los accidentes o riesgos que ocurran a otras personas o a su propiedad.
- Todos los operadores deben ser formados en el empleo de la máquina. El propietario es responsable de la formación de los operadores.

- La máquina debe mantenerse limpia. Los letreros y las pegatinas deben ser legibles en su totalidad.



¡ATENCIÓN! La máquina, si se utiliza de forma errónea o descuidada, puede ser una herramienta peligrosa que puede causar daños graves e incluso la muerte al usuario y a otras personas.

No permita bajo ningún concepto el empleo o mantenimiento de la máquina por los niños u otras personas no instruidas en el manejo de la misma. Nunca deje que terceros utilicen la máquina sin asegurarse primero de que hayan entendido el contenido de este manual de instrucciones.

Nunca utilice la máquina si está cansado, si ha ingerido alcohol o si toma medicamentos que puedan afectar la vista, su capacidad de discernimiento o el control del cuerpo.



¡ATENCIÓN! Las modificaciones y/o el uso de accesorios no autorizados comportan riesgo de daños personales graves y peligro de muerte para el usuario y otras personas.

No modifique nunca esta máquina de forma que se desvíe de la versión original, y no la utilice si parece haber sido modificada por otras personas.

No utilice nunca una máquina defectuosa. Lleve a cabo las comprobaciones de seguridad y siga las instrucciones de mantenimiento y servicio de este manual. Algunas medidas de mantenimiento y servicio deben ser efectuadas por especialistas formados y cualificados. Consulte las instrucciones del apartado Mantenimiento.

Utilizar siempre recambios originales.

Seguridad en el trabajo

- No trabaje en condiciones atmosféricas desfavorables como niebla, lluvia intensa, tempestad, frío intenso, etc. Trabajar con mal tiempo es cansador y puede crear condiciones peligrosas, por ejemplo suelo resbaladizo.
- Antes de comenzar a trabajar con la máquina, controle siempre que el lugar esté libre y que los pies estén bien afirmados al terreno. Controle posibles obstáculos en caso de movimientos repentinos. Asegúrese de que no haya elementos que puedan caer y provocar daños al trabajar con la máquina.
- Controlar siempre la parte posterior de la superficie en la que sale la broca al penetrar. Impedir el acceso cercando la zona de trabajo y procurar que no haya riesgo de daños personales o materiales.

INSTRUCCIONES GENERALES DE SEGURIDAD

Seguridad eléctrica



¡ATENCIÓN! Existe siempre riesgo de sacudidas eléctricas al usar máquinas eléctricas. No usar la máquina en condiciones climáticas desfavorables y evitar el contacto del cuerpo con pararrayos y objetos metálicos. Seguir siempre las instrucciones del manual para evitar daños.



¡ATENCIÓN! No lave la máquina con agua, ya que puede penetrar en el sistema eléctrico o en el motor y causar daños en la máquina o un cortocircuito.

- No utilice nunca la herramienta sin el diferencial que se entrega con ella.
- La máquina se debe enchufar a un enchufe con masa.
- Compruebe que la tensión de red concuerda con la que se indica en la placa de características de la máquina.
- Compruebe que el cable y el cable de empalme está intacto. Si se daña un cable, no utilice la máquina. Llévela a reparar a un taller de servicio oficial.
- Un cable de alargue no debe usarse enrollado porque hay riesgo de sobrecalentamiento.
- No exponga la herramienta eléctrica a la lluvia. El riesgo de recibir descargas eléctricas aumentará si penetra agua en la herramienta eléctrica.
- No exponga la herramienta eléctrica a una humedad mayor que la del sistema hidráulico. El sistema de agua refrigera la broca del taladro con agua limpia. Debe asegurarse de que no entra lechada en la máquina.
- Al emplear la máquina, hágalo con el cable detrás suyo para evitar dañarlo.
- Desenchufar siempre el contacto para paradas prolongadas del trabajo.

Perforación a la intemperie

- Usar siempre cables de empalme homologados para uso en intemperie.

Seguridad personal

- Nunca deje que terceros utilicen la máquina sin asegurarse primero de que hayan entendido el contenido de este manual de instrucciones.
- Mantenerse apartado de la broca cuando el motor está en marcha. Las brocas rotativas comportan riesgo de accidentes graves.
- Comprobar que en la zona que se va a perforar no haya tuberías ni cables eléctricos instalados.
- No abandonar nunca la máquina sin vigilar, con el motor en marcha.
- Desenchufar siempre el contacto para paradas prolongadas del trabajo.

- Un operador nunca debe trabajar solo; siempre debe haber otra(s) persona(s) cerca. Así, además de tener ayuda para montar la máquina, también puede recibirse asistencia en caso de accidente.
- Utilice los mangos auxiliares suministrados con la herramienta. La pérdida de control puede causar lesiones.

Uso y cuidado

- Esta máquina es idónea para perforar hormigón, ladrillo y varios tipos de piedra. Puede utilizarse como taladro manual o fijado a un soporte de taladro.
- La máquina está destinada al uso por operadores experimentados, en aplicaciones industriales.
- El control y/o mantenimiento de la máquina debe hacerse con el motor parado y el enchufe desenchufado.
- La máquina tiene un par torsor muy alto. Esto requiere una gran concentración durante el trabajo debido al riesgo de daños personales graves si la broca se bloquea súbitamente.
- Mantenerse apartado de la broca cuando el motor está en marcha.
- No sobrecargar la máquina. La sobrecarga puede dañar la máquina.
- Mantener todas las piezas en perfecto estado y comprobar que todos los elementos de fijación estén bien apretados.
- Parar siempre la máquina antes de trasladarla.
- Sujete la herramienta por las superficies de sujeción aisladas al realizar una operación en la que el accesorio de corte puede entrar en contacto con algún cable oculto o con el suyo propio. Si el accesorio de corte entra en contacto con un cable con tensión, es posible que las piezas metálicas expuestas de la herramienta eléctrica conduzcan la corriente y pueden producir al usuario una sacudida eléctrica.

Perforaciones en seco



¡NOTA! Al taladrar se genera polvo que puede causar daños por inhalación. Utilizar una máscara respiratoria homologada. Conecte el dispositivo a una aspiradora para un tratamiento efectivo del polvo durante la realización de perforaciones en seco.

Perforación en techos

AVISO No se debe tapar la boca de entrada de aire.

Utilizar un colector de agua para impedir que entre agua en la máquina.

INSTRUCCIONES GENERALES DE SEGURIDAD

Elgard™

AVISO No sobrecargue la máquina de forma reiterada. Ello puede ocasionar averías en la máquina.

Si el motor se sobrecarga, la protección hace que el motor pulse. Cuando la carga se reduce, el motor recupera la velocidad normal.

Si la máquina es sometida a una carga grande o si la broca se atasca, la protección contra sobrecarga corta la corriente. Reinicie la máquina apagándola y encendiéndola de nuevo.

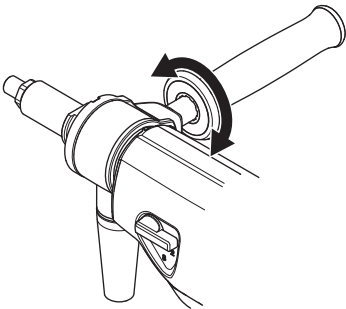
Si se atasca la broca, el acoplamiento deslizante mecánico protege la caja de cambios antes de que la protección contra sobrecarga corte la corriente.

Perforación a mano



¡ATENCIÓN! Para la perforación a mano no debe usarse la primera marcha debido a que la máquina tiene un par torsor muy fuerte que puede causar daños personales si se atasca la broca.

- Utilizar siempre brocas de como máximo 80 mm de diámetro para la perforación a mano. Cuanto más grande es la broca, mayor es la reacción si se atasca.
- Bloquee firmemente la empuñadura pivotante delantera antes de taladrar.



- No taladrar nunca a mano desde escaleras. La perforación a mano en estas situaciones es arriesgada debido a que el riesgo de caída si se atasca la broca es muy grande.



Perforación con soporte

- Usar siempre el soporte para perforar desde una escalera o un andamio.
- Comprobar que el soporte está bien anclado.
- Comprobar que la taladradora está bien fijada en el soporte.

MONTAJE Y AJUSTES

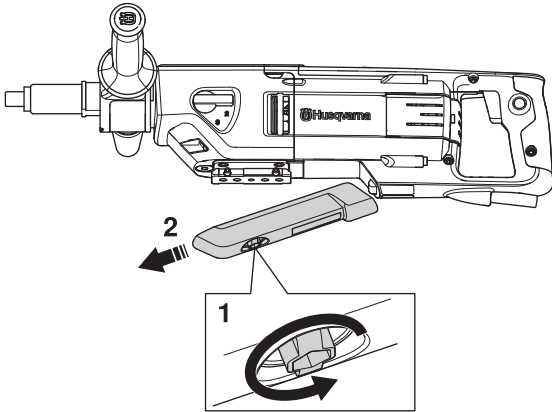
Montaje



¡ATENCIÓN! Cuando apague la máquina, debe desconectar el cable de alimentación de la toma de corriente.

Montaje en soporte

- Aflojar el tornillo. Desmonte la cubierta protectora.



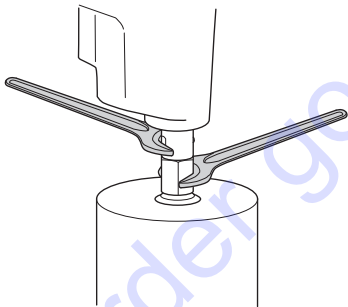
- Consulte las instrucciones del manual de usuario del soporte en cuestión.

Ajuste o cambio de la broca del taladro



¡NOTA! La broca y la zona adyacente registran temperaturas muy altas tras su uso. Deje que la máquina se enfríe antes de extraer la broca. Utilice guantes protectores.

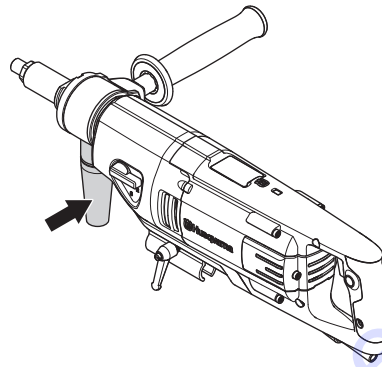
- Aplicar grasa hidrófuga en la rosca de la broca.
- Montar la broca con las llaves fijas.



- Antes de arrancar la máquina, comprobar que la broca nueva esté bien fijada.

Conexión de la aspiradora

- Conecte el dispositivo a una aspiradora para un tratamiento efectivo del polvo durante la realización de perforaciones en seco.



FUNCIONAMIENTO

Equipo de protección

Generalidades

No use nunca una máquina si no tiene posibilidad de pedir auxilio si se produce un accidente.

Equipo de protección personal

Para trabajar con la máquina debe utilizarse un equipo de protección personal homologado. El equipo de protección personal no elimina el riesgo de lesiones, pero reduce su efecto en caso de accidente. Pida a su distribuidor que le asesore en la elección del equipo.



¡ATENCIÓN! El uso de productos que cortan, pulen, taladran, alisan o forman materiales puede generar polvo y vapores que pueden contener sustancias químicas dañinas. Averiguar la composición del material con que se trabaja y usar una máscara respiratoria adecuada.



¡ATENCIÓN! La exposición prolongada al ruido puede causar daños crónicos en el oído, Por consiguiente, use siempre protectores auriculares homologados. Cuando use protección auditiva preste siempre atención a las señales o llamados de advertencia. Sáquese siempre la protección auditiva inmediatamente después de parar el motor.



¡ATENCIÓN! Existe siempre riesgo de accidentes por apriete al trabajar con aparatos con piezas móviles. Usar guantes protectores para evitar lesiones.

Utilice siempre:

- Casco protector
- Protectores auriculares
- Gafas protectoras o visor
- Máscara respiratoria
- Guantes resistentes de agarre seguro.
- Prendas de vestir ceñidas, resistentes y cómodas que permitan una libertad de movimientos total.
- Botas con puntera de acero y suela antideslizante.

Tener en cuenta que las ropas, el pelo largo y las joyas pueden atascarse en piezas móviles.

Otros equipos de protección



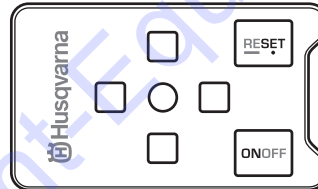
¡ATENCIÓN! Mientras trabaja con la máquina, pueden producirse chispas que podrían ocasionar un incendio. Tenga siempre a mano herramientas para la extinción de incendios.

- Herramientas para la extinción de incendios
- Tenga siempre a mano el equipo de primeros auxilios.

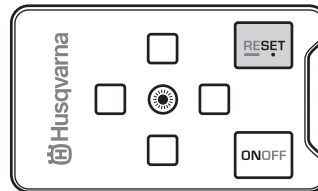
Técnica básica de trabajo

Level guiding system

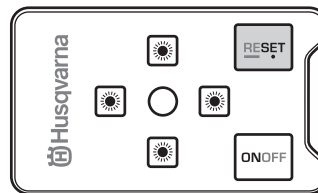
El Level guiding system de la máquina funciona como un nivel electrónico y ayuda al usuario a taladrar en la ubicación deseada. El operario solo tiene que leer el indicador LED situado en la parte superior de la máquina y ajustarlo debidamente. De esta forma, la perforación resulta más sencilla y se consigue una mayor precisión.



El LED verde situado en la parte central se enciende mientras que la máquina está en la posición correcta.

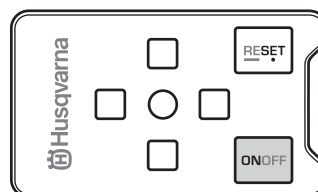


Los LED rojos circundantes indican en qué dirección debe inclinarse la máquina para conseguir la posición correcta.



Activación del sistema

- Pulse el botón de encendido / apagado para activar el sistema.



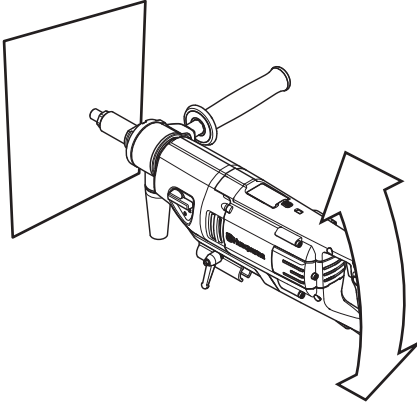
- Esta función detecta la inclinación de la máquina y la modifica debidamente.

FUNCIONAMIENTO

Posición horizontal

El LED verde de la parte central se enciende cuando la máquina está alineada horizontalmente.

El sistema detecta la desviación de la máquina respecto del plano horizontal.

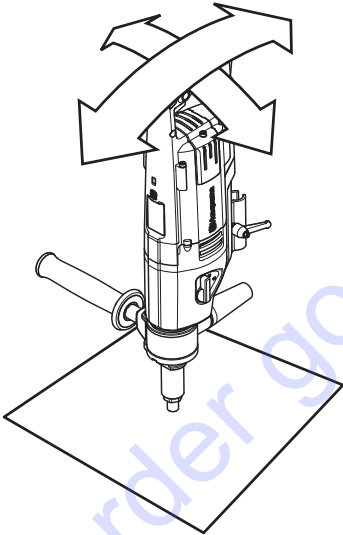


Si la parte posterior de la máquina se inclina hacia abajo, el LED verde de la parte central se apaga y el LED rojo de la parte delantera se enciende. Si el extremo posterior de la máquina se inclina hacia arriba, el LED rojo de la parte trasera se enciende.

Posición vertical

El LED verde de la parte central se enciende cuando la máquina está alineada verticalmente.

El sistema detecta las desviaciones en dos planos.



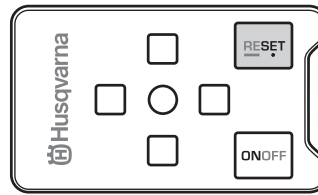
Si la parte posterior de la máquina se inclina hacia abajo, el LED verde de la parte central se apaga y el LED rojo de la parte delantera se enciende. Si el extremo posterior de la máquina se inclina hacia arriba, el LED rojo de la parte trasera se enciende.

Si la parte posterior de la máquina se inclina a la derecha, el LED verde de la parte central se apaga y el LED rojo de la parte izquierda se enciende. Si el extremo posterior de la máquina se inclina a la izquierda, el LED rojo de la parte derecha se enciende.

Ajuste personalizado de la inclinación

El Level guiding system de la máquina puede configurarse con un ángulo de perforación personalizado.

- Sostenga la máquina en el ángulo deseado y pulse el botón de reinicio.



- Ponga a cero el ajuste del ángulo manteniendo pulsado el botón de reinicio durante unos 3 segundos.

Este ajuste también se pone a cero, si la máquina se desconecta de la alimentación eléctrica durante mucho tiempo.

Desactivación del sistema

El sistema puede desactivarse temporalmente pulsando el botón de encendido / apagado. La desactivación se ajusta a cero si se vuelve a pulsar el botón de encendido / apagado o si se desconecta la alimentación.

El sistema se desactiva al pulsar el botón de encendido / apagado durante unos 3 segundos. Pulse el botón de encendido / apagado para volver a activar el sistema.

Transporte y almacenamiento

- Para proteger la taladradora y las brocas contra daños, no almacenar ni transportar la taladradora con la broca montada.
- Sujete bien el equipo durante el transporte para evitar daños y accidentes.
- Almacene la cortadora en lugar seguro fuera del alcance de los niños y personas no calificadas para su uso.
- Guarde la máquina y el equipo en un lugar seco y protegido de la escarcha.

ARRANQUE Y PARADA

Antes del arranque



¡ATENCIÓN! Lea detenidamente el manual de instrucciones y asegúrese de entender su contenido antes de utilizar la máquina.

Utilice el equipo de protección personal. Vea las instrucciones bajo el título "Equipo de protección personal".

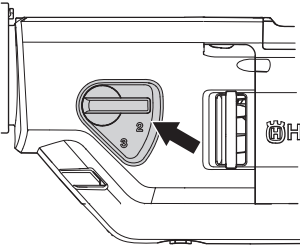
Asegúrese de que no haya personas desautorizadas en la zona de trabajo, de lo contrario, se corre el riesgo de ocasionar graves daños personales.

- Controle que la máquina esté correctamente montada y que no esté dañada. Consulte las instrucciones bajo el título «Montaje y ajustes».
- Realice el mantenimiento diario. Consulte las instrucciones bajo el título «Mantenimiento».

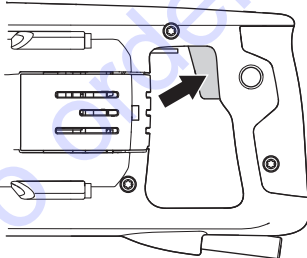
Arranque

AVISO El cambio de marchas sólo debe hacerse con la máquina parada. De lo contrario hay riesgo de averiar la caja de cambios.

- Ajustar la velocidad de trabajo, girando el husillo de taladradora y, al mismo tiempo, poniendo la manija de cambio en la posición deseada.



- Activar la refrigeración por agua (perforación húmeda) o la aspiradora (perforación en seco).
- Presione el bloqueador de interruptor hasta la mitad para activar Smart Start y completamente para alcanzar la velocidad máxima de taladrado.



Parada



¡NOTA! La broca continúa girando unos instantes después de parar el motor.

Asegúrese de que la broca pueda girar libremente hasta que se detenga por completo. La utilización del equipo sin el debido cuidado puede causar lesiones graves.

- Hacer funcionar la máquina sin carga durante unos minutos para enfriar el motor.
- El motor se para al soltar el interruptor.

MANTENIMIENTO

Generalidades



¡ATENCIÓN! El usuario sólo puede efectuar los trabajos de mantenimiento y servicio descritos en este manual. Los trabajos de mayor envergadura debe efectuarlos un taller de servicio oficial.

Apague la máquina y desconecte el enchufe.

Utilice el equipo de protección personal. Vea las instrucciones bajo el título "Equipo de protección personal".

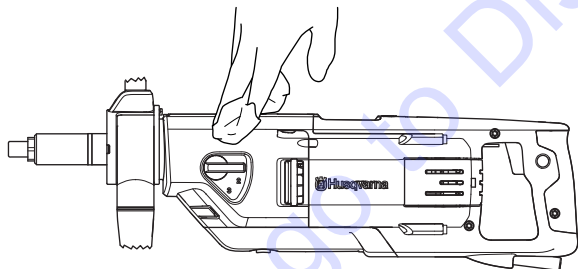
La vida útil de la máquina puede acortarse y el riesgo de accidentes puede aumentar si el mantenimiento de la máquina no se hace de forma adecuada y si los trabajos de servicio y/o reparación no se efectúan de forma profesional. Para más información, consulte con el taller de servicio oficial más cercano.

Mantenimiento Diario

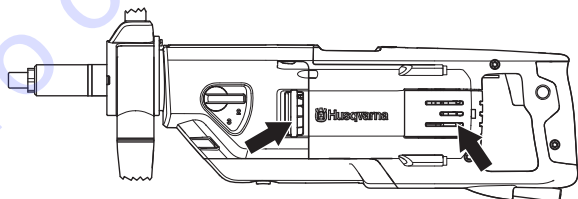
- Compruebe que el equipo de seguridad de la máquina está intacto. Consulte las instrucciones del apartado «Equipo de seguridad de la máquina».
- Compruebe que el cable y el cable de empalme está intacto.
- Limpie la parte exterior de la máquina.

Limpieza

- Mantener limpia la máquina y la broca para que la perforación se pueda hacer de forma segura.



- Mantener la empuñadura seca y limpia de grasa y aceite.
- Para que la máquina tenga siempre una buena refrigeración, las aberturas de paso del aire refrigerante deben mantenerse libres y limpias. Limpie regularmente la máquina con aire comprimido.



- Limpiar el motor con aire comprimido a intervalos regulares. Quitar la tapa de inspección y limpiarla.

Grifo de agua

Compruebe que el grifo de agua funciona. No utilice mangueras torcidas, gastadas o defectuosas.

Suministro eléctrico



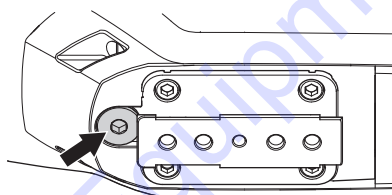
¡ATENCIÓN! No usar nunca cables dañados, puesto que pueden causar daños personales graves e incluso mortales.

Compruebe que el cable y el cable de empalme está intacto. Si se daña el cable, no utilice la máquina. Llévela a un taller de servicio oficial para reparar.

Cambio del aceite de la caja de cambios

El aceite de la caja de cambios debe cambiarse cada 400 horas de trabajo.

- Desenrosque el tapón de aceite.



- Vacíe el aceite en un contenedor. Manipule el aceite acatando la normativa medioambiental. Cumpla los requisitos de reciclaje locales.
En caso necesario, contactar con el distribuidor para la limpieza de la caja de cambios.
- Poner aceite nuevo en la caja de cambios; aproximadamente 0,25 litros. Consulte los datos técnicos para saber qué tipo de aceite es más recomendable.
- El tapón de aceite se fija con un imán que capta las partículas de metal. Limpie el tapón de aceite y vuelva a enroscarlo.

Cambio de escobillas de carbón

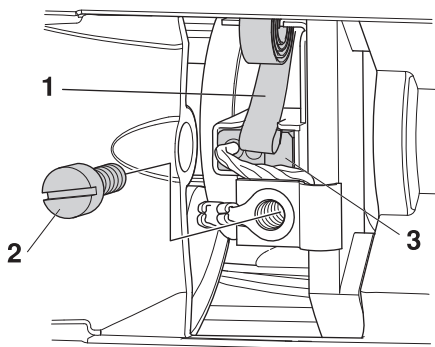


¡ATENCIÓN! Apague la máquina y desconecte el enchufe.

Las escobillas deben desmontarse y revisarse regularmente. Cada semana si la máquina se utiliza a diario, o a intervalos más largos si se utiliza con menor frecuencia. La superficie de desgaste debe estar regular e intacta.

Ambas escobillas deben cambiarse siempre en la misma oportunidad, pero de una en una.

- Retire la cubierta de inspección.
- Levante el muelle retenedor del cepillo hacia un lado (1).



- Afloje el tornillo (2).
- Sacar la conexión de escobilla.
- Extraiga el cepillo de carbón del soporte (3).
- Limpie el portaescobillas con aire comprimido o con un cepillo. Reemplace la escobilla si está gastada.
- Monte las escobillas nuevas y compruebe que se deslizan con facilidad en los portaescobillas.
- Colocar el muelle del portaescobilla.
- Insertar la conexión de escobilla debajo del tornillo.
- Repetir el procedimiento con la otra escobilla.
- Atornille la cubierta de inspección en su sitio.
- Dejar la máquina funcionando en ralentí durante 10 minutos para hacer el rodaje de las escobillas nuevas.

DATOS TECNICOS

DM 220

Motor eléctrico	Monofásico
Tensión nominal, V	220-240/100-120
Potencia nominal, W	1850

Amperaje nominal, A

220-240 V	8 A
100-120 V	13 A

Peso, lb/kg	7
-------------	---

Diámetro de broca, mm

Diámetro máximo de broca, con soporte	150 mm (5,9")
Diámetro máximo de broca, de mano	80 mm (3.14")

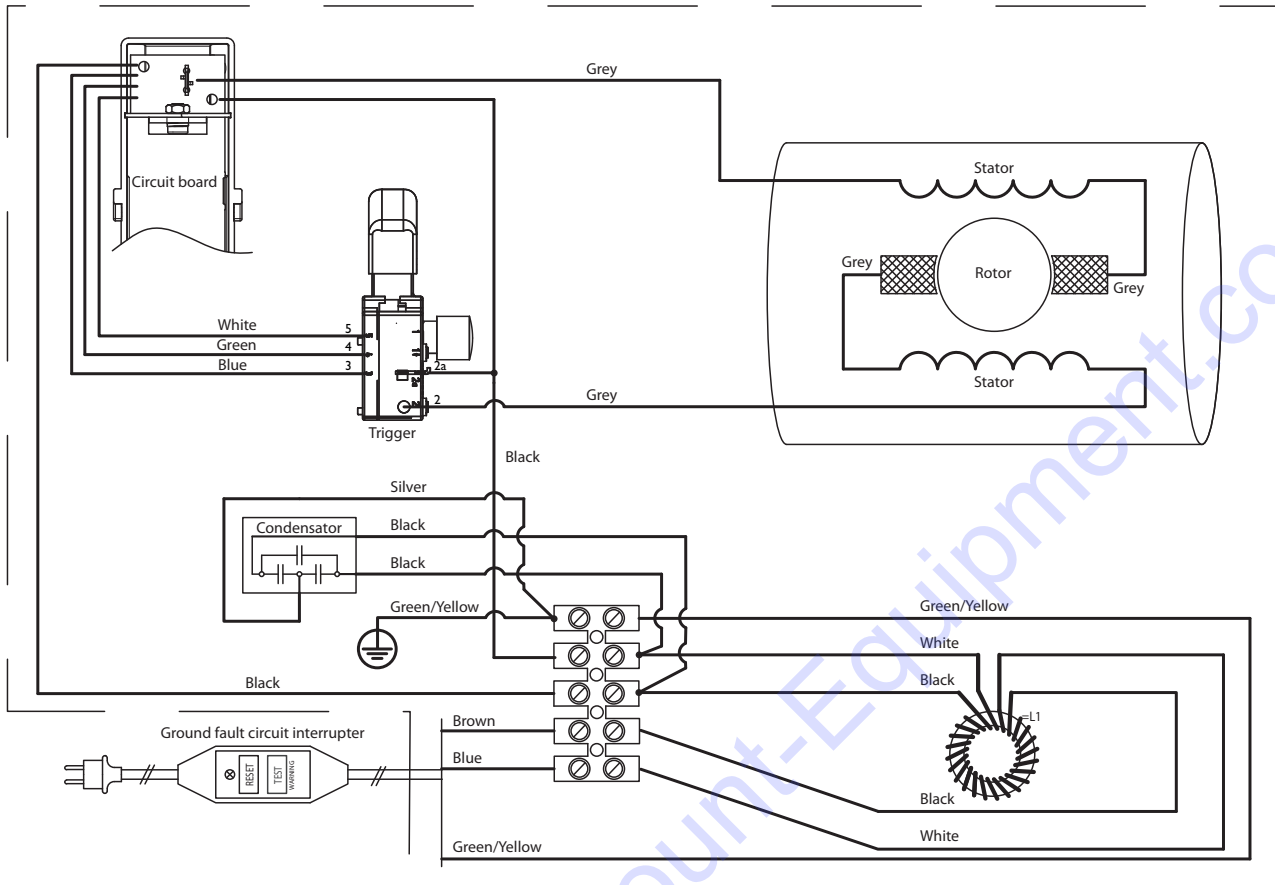
Rosca de husillo	G 1/2"	G 1 1/4"
Conexión de agua	G 1/4"	
Presión del agua - máx, bar	8	

Velocidad de taladrado y tamaños de taladro

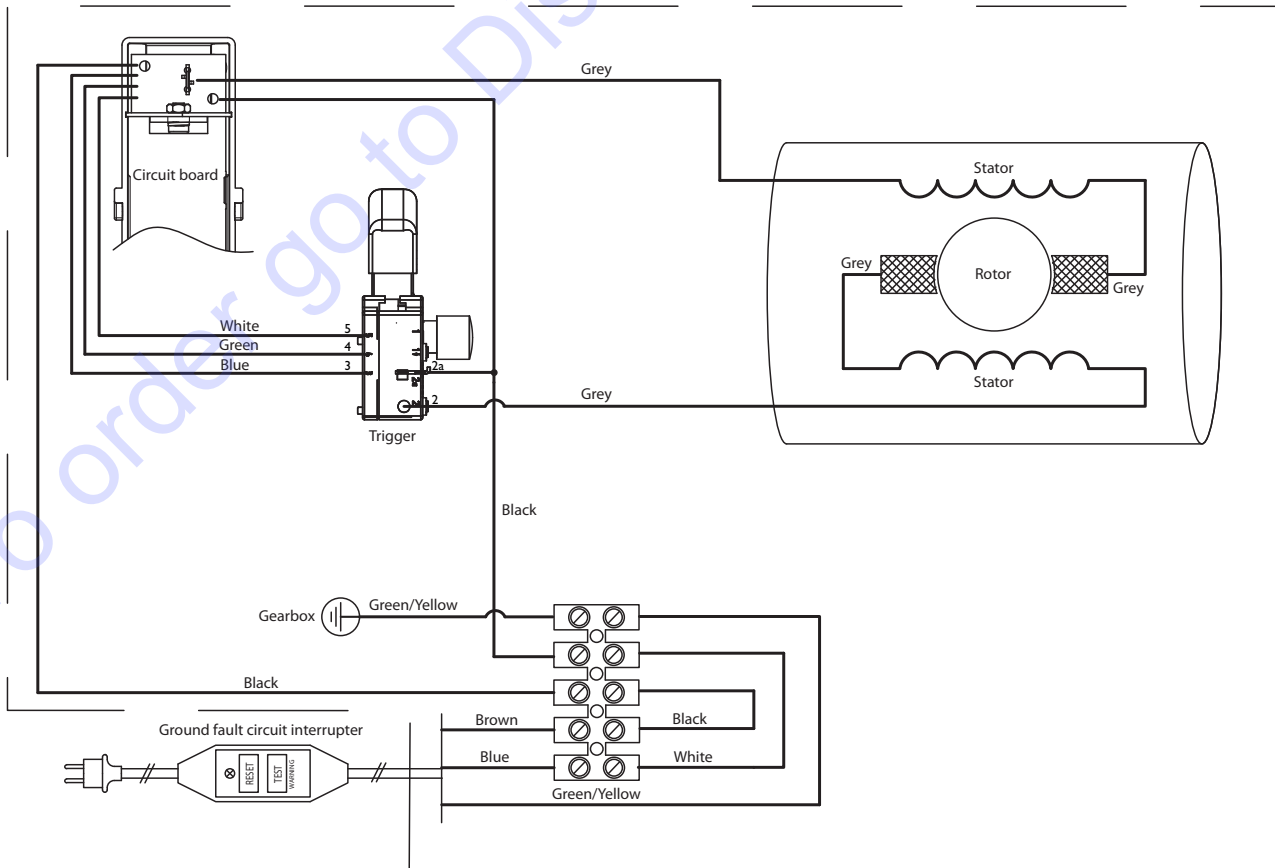
Engrane	Velocidad de la broca con carga, r.p.m	Velocidad de la broca sin carga, r.p.m.	Perforación a mano		Perforación con soporte	
			Tamaño de broca recomendado, mm	Tamaño de broca recomendado, pulgadas	Tamaño de broca recomendado, mm	Tamaño de broca recomendado, pulgadas
1	580	730	No se recomienda	No se recomienda	100-150	4-6
2	1400	1700	40-80	2-4	40-80	2-4
3	2900	3600	0-40	0-2	0-40	0-2

ESQUEMA DE CONEXIONES ELÉCTRICAS

230 V



110 V





US - Original instructions, CA - Instructions d'origine, UE - Instrucciones originales



1153606-49

2018-05-25 rev3

TO PURCHASE THIS PRODUCT PLEASE CONTACT US



**Equipment Financing and
Extended Warranties Available**



**Discount-Equipment.com is your online resource for
commercial and industrial quality parts and equipment sales.**

561-964-4949

visit us on line @ www.discount-equipment.com

Select an option below to find your Equipment

Search by Manufacturer

Search by Product Type

Request a Quote

We sell worldwide for the brands: Genie, Terex, JLG, MultiQuip, Mikasa, Essick, Whiteman, Mayco, Toro Stone, Diamond Products, Generac Magnum, Airman, Haulotte, Barreto, Power Blanket, Nifty Lift, Atlas Copco, Chicago Pneumatic, Allmand, Miller Curber, Skyjack, Lull, Skytrak, Tsurumi, Husquvarna Target, Stow, Wacker, Sakai, Mi-T-M, Sullair, Basic, Dynapac, MBW, Weber, Bartell, Bennar Newman, Haulotte, Ditch Runner, Menegotti, Morrison, Contec, Buddy, Crown, Edco, Wyco, Bomag, Laymor, EZ Trench, Bil-Jax, F.S. Curtis, Gehl Pavers, Heli, Honda, ICS/PowerGrit, IHI, Partner, Imer, Clipper, MMD, Koshin, Rice, CH&E, General Equipment, Amida, Coleman, NAC, Gradall, Square Shooter, Kent, Stanley, Tamco, Toku, Hatz, Kohler, Robin, Wisconsin, Northrock, Oztec, Toker TK, Rol-Air, APT, Wylie, Ingersoll Rand / Doosan, Innovatech, Con X, Ammann, Mecalac, Makinex, Smith Surface Prep, Small Line, Wanco, Yanmar