

Go to [Discount-Equipment.com](http://Discount-Equipment.com)

**US**

## **Operator's manual**

Please read the operator's manual carefully and make sure you understand the instructions before using the machine.

**FR**

## **Manuel d'utilisation**

Lire attentivement et bien assimiler le manuel d'utilisation avant d'utiliser la machine.

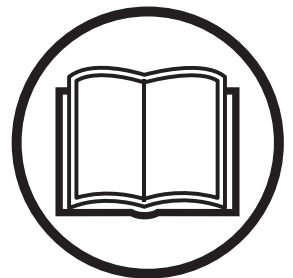
**ES**

## **Manual de instrucciones**

Lea detenidamente el manual de instrucciones y asegúrese de entender su contenido antes de utilizar la máquina.

**DCR 300**

**DCR 100**



**EN FR ES**

**TO PURCHASE THIS PRODUCT PLEASE CONTACT US**



**Equipment Financing and  
Extended Warranties Available**



**Discount-Equipment.com is your online resource for  
commercial and industrial quality parts and equipment sales.**

**561-964-4949**

**visit us on line @ [www.discount-equipment.com](http://www.discount-equipment.com)**

Select an option below to find your Equipment

**Search by Manufacturer**

**Search by Product Type**

**Request a Quote**

We sell worldwide for the brands: Genie, Terex, JLG, MultiQuip, Mikasa, Essick, Whiteman, Mayco, Toro Stone, Diamond Products, Generac Magnum, Airman, Haulotte, Barreto, Power Blanket, Nifty Lift, Atlas Copco, Chicago Pneumatic, Allmand, Miller Curber, Skyjack, Lull, Skytrak, Tsurumi, Husquvarna Target, Stow, Wacker, Sakai, Mi-T-M, Sullair, Basic, Dynapac, MBW, Weber, Bartell, Bennar Newman, Haulotte, Ditch Runner, Menegotti, Morrison, Contec, Buddy, Crown, Edco, Wyco, Bomag, Laymor, EZ Trench, Bil-Jax, F.S. Curtis, Gehl Pavers, Heli, Honda, ICS/PowerGrit, IHI, Partner, Imer, Clipper, MMD, Koshin, Rice, CH&E, General Equipment, Amida, Coleman, NAC, Gradall, Square Shooter, Kent, Stanley, Tamco, Toku, Hatz, Kohler, Robin, Wisconsin, Northrock, Oztec, Toker TK, Rol-Air, APT, Wylie, Ingersoll Rand / Doosan, Innovatech, Con X, Ammann, Mecalac, Makinex, Smith Surface Prep, Small Line, Wanco, Yanmar

# KEY TO SYMBOLS

## Symbols on the machine:

WARNING! The machine can be a dangerous tool if used incorrectly or carelessly, which can cause serious or fatal injury to the operator or others.



Please read the operator's manual carefully and make sure you understand the instructions before using the machine.



Wear personal protective equipment. See instructions under the heading "Personal protective equipment".



WARNING! Risk of crush injuries! There is always a risk of crush injuries when working with products containing moving parts.



WARNING! Hot surface.



WARNING! Watch out for demolition material becoming loose when cutting. Use personal safety equipment and keep your distance.



WARNING! Hydraulic pressure even when machine is shut off. Check operator's manual before service.



The lifting equipment must be attached at all the machine's lifting points.



**Environmental marking.** Symbols on the product or its packaging indicate that this product cannot be handled as domestic waste. It must instead be submitted to an appropriate recycling station for the recovery of electrical and electronic equipment.



By ensuring that this product is taken care of correctly, you can help to counteract the potential negative impact on the environment and people that can otherwise result through the incorrect waste management of this product.

For more detailed information about recycling this product, contact your municipality, your domestic waste service or the shop from where you purchased the product.

**Other symbols/decals on the machine refer to special certification requirements for certain markets.**

## Explanation of warning levels

The warnings are graded in three levels.

### WARNING!



**WARNING!** Used if there is a risk of serious injury or death for the operator or damage to the surroundings if the instructions in the manual are not followed.

### CAUTION!



**CAUTION!** Used if there is a risk of injury to the operator or damage to the surroundings if the instructions in the manual are not followed.

### NOTICE!



**NOTICE!** Used if there is a risk of damage to materials or the machine if the instructions in the manual are not followed.

---

# CONTENTS

---

## Contents

### KEY TO SYMBOLS

Symbols on the machine: .....	2
Explanation of warning levels .....	2

### CONTENTS

Contents .....	3
----------------	---

### PRESENTATION

Dear customer! .....	4
Features .....	4
Applications .....	4

### PRESENTATION

What is what on the tool? .....	5
---------------------------------	---

### PRESENTATION

What is what on the tool? .....	6
---------------------------------	---

### ASSEMBLING AND ADJUSTMENTS

General .....	7
Mount tool on machine .....	7
Connect the hydraulic hoses .....	7
Disconnect the hydraulic hoses .....	7
Adjusting movable jaws .....	7

### OPERATING

Protective equipment .....	8
General safety precautions .....	8
Work safety .....	9

### MAINTENANCE

General .....	11
Maintenance schedule .....	11
Cleaning .....	11
General inspection .....	11
Cutters for reinforcing bar .....	11
Lubrication .....	12
Jaws .....	12
Long-term storage .....	12
Worn product .....	12
Troubleshooting schedule .....	12

### TECHNICAL DATA

Technical data .....	13
----------------------	----

### US WARRANTY STATEMENT

WARRANTY POLICY .....	14
EQUIPMENT .....	14

# PRESENTATION

## Dear customer!

Thank you for choosing a Husqvarna product!

It is our wish that you will be satisfied with your product and that it will be your companion for a long time. A purchase of one of our products gives you access to professional help with repairs and services. If the retailer who sells your machine is not one of our authorised dealers, ask him for the address of your nearest service workshop.

This operator's manual is a valuable document. Make sure it is always at hand at the work place. By following its content (using, service, maintenance etc) the life span and the second-hand value of the machine can be extended. If you ever lend or sell this machine, make sure that the borrower or buyer gets the operator's manual, so they will also know how to properly maintain and use it.

## More than 300 years of innovation

Husqvarna AB is a Swedish company based on a tradition that dates back to 1689, when the Swedish King Charles XI ordered the construction of a factory for production of muskets. At that time, the foundation was already laid for the engineering skills behind the development of some of the world's leading products in areas such as hunting weapons, bicycles, motorcycles, domestic appliances, sewing machines and outdoor products.

Husqvarna is the global leader in outdoor power products for forestry, park maintenance and lawn and garden care, as well as cutting equipment and diamond tools for the construction and stone industries.

## User responsibility

It is the owner's/employer's responsibility that the operator has sufficient knowledge about how to use the machine safely. Supervisors and operators must have read and understood the Operator's Manual. They must be aware of:

- The machine's safety instructions.
- The machine's range of applications and limitations.
- How the machine is to be used and maintained.

National legislation could regulate the use of this machine. Find out what legislation is applicable in the place where you work before you start using the machine.

## The manufacturer's reservation

All information and all data in the Operator's Manual were applicable at the time the Operator's Manual was sent to print.

Husqvarna AB has a policy of continuous product development and therefore reserves the right to modify the design and appearance of products without prior notice.

## Features

Values such as high performance, reliability, innovative technology, advanced technical solutions and environmental considerations distinguish Husqvarna's products.

Some of the unique features of your product are described below.

### Replaceable, double sided cutters for reinforcing bar

When worn on one side the cutters can be rotated 180° for a new sharp edge. When worn on both sides, the cutter can be replaced.

### Adjustable jaws (DCR 100)

The jaws can be adjusted for cutting material with a thickness of 31 mm to 430 mm.

### Replaceable tips (DCR 300)

The tips can be removed for welding work or replaced if worn out.

## Applications



**WARNING! It is prohibited to use the tool for lifting, pushing, pulling, hammering or carrying any kind of material.**

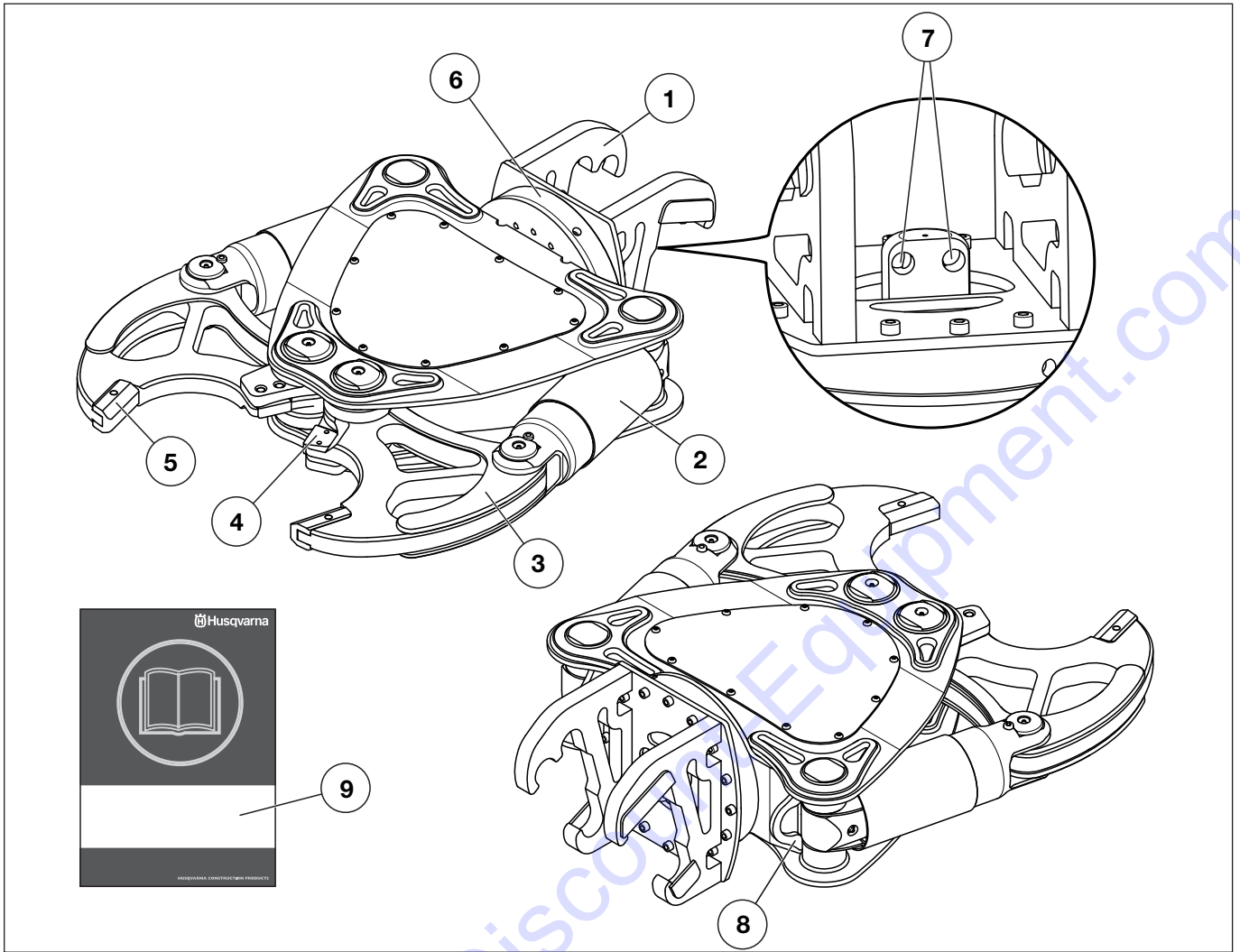
The tool is intended to be mounted on a machine for carrying out demolition of concrete constructions, such as walls, ceilings and floors.

The tools are only to be used together with the machines listed below.

	DCR 300	DCR 100
DXR 310	X	
DXR 250	X	
DXR 140		X

The machine is intended for use in industrial applications by experienced operators.

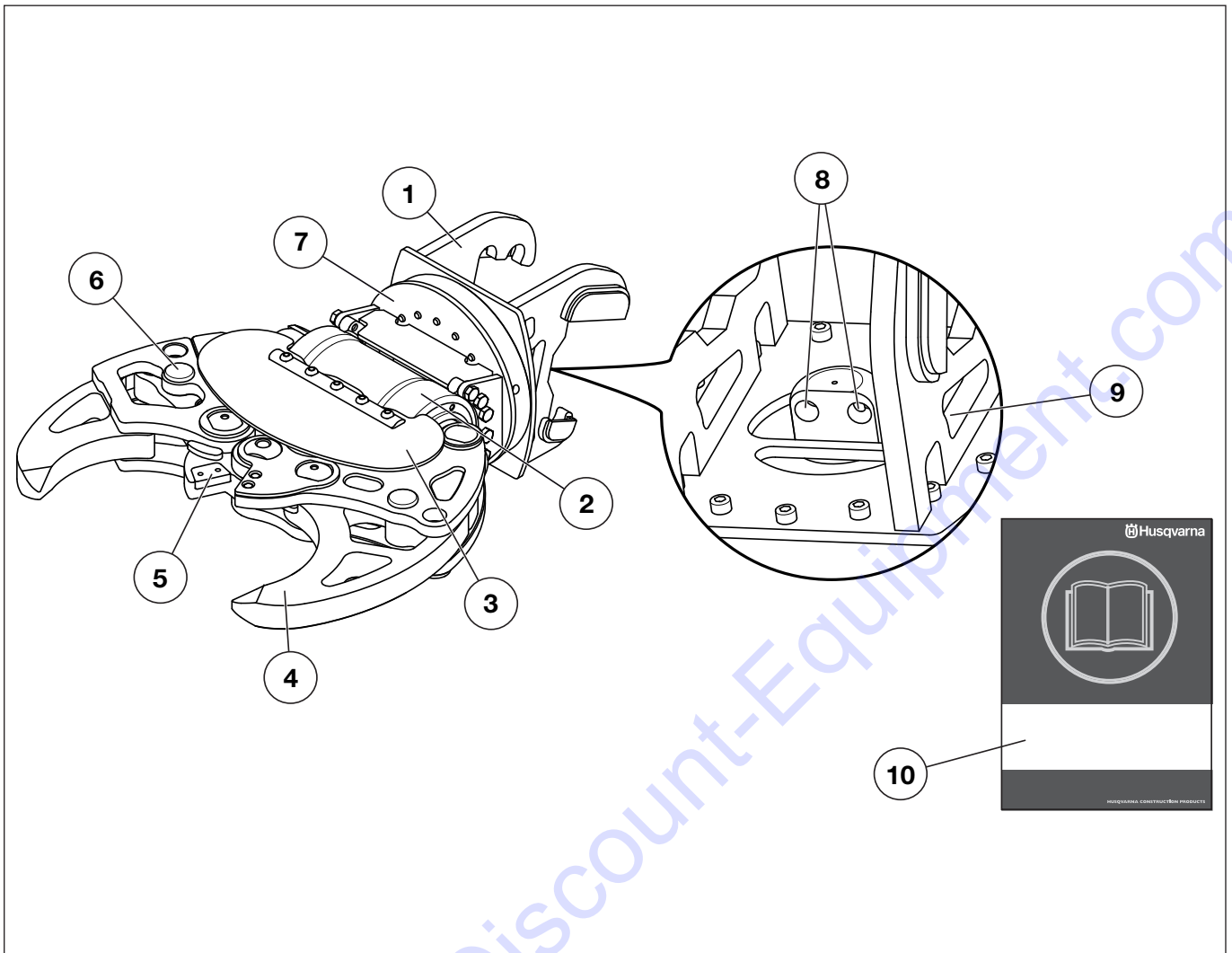
# PRESENTATION



## What is what on the tool? (DCR 300)<sup>1</sup> Tool attachment

- |                               |                           |
|-------------------------------|---------------------------|
| 2 Cylinder                    | 6 360° freewheel bearings |
| 3 Jaws                        | 7 Hydraulic connections   |
| 4 Cutters for reinforcing bar | 8 Lifting point           |
| 5 Tips                        | 9 Operator's manual       |

# PRESENTATION



## What is what on the tool? (DCR 100)

- |   |                             |    |                         |
|---|-----------------------------|----|-------------------------|
| 1 | Tool attachment             | 6  | Jaws adjustment pins    |
| 2 | Cylinder                    | 7  | 360° freewheel bearings |
| 3 | Protection shield           | 8  | Hydraulic connections   |
| 4 | Jaws                        | 9  | Lifting point           |
| 5 | Cutters for reinforcing bar | 10 | Operator's manual       |

# ASSEMBLING AND ADJUSTMENTS

## General



**WARNING!** Ensure that the tool is correctly and securely fitted. If a tool unexpectedly comes loose it can cause personal injury.

Ensure that the tool's and the machine's performance (weight, hydraulic pressure, flow etc) are compatible.

Prevent dirt from entering the hydraulic system by:

- Wiping dirt off the couplings before assembling or dismantling.
- Placing dust guards on the machine's hydraulic couplings when no tool is mounted.
- Ensuring that the tool's hoses are always connected together when the tool is not connected to the machine.

## Mount tool on machine

- See the operator's manual for the demolition machine for instructions.

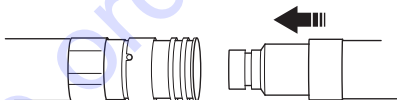
## Connect the hydraulic hoses



**CAUTION!** Pipe and hose couplings can remain pressurized despite the motor being switched off and the power cable disconnected. It must always be assumed that hydraulic hoses are pressurized and they must be opened with great care. Relieve the pressure on the arm system by resting it on the ground and turn off the electric motor before undoing the hoses. Take great care when undoing connections and use appropriate personal protective equipment.

The hydraulic hoses are equipped with quick couplings with decompression. This facilitates fitting the hoses even though pressure is trapped.

- Connect the male connection on the tool to the female connection on the machine. The nut should snap when properly mounted. The couplings are locked by turning the outer sleeve on the female coupling so that the slot moves away from the ball.



- Connect the female connection on the tool to the male connection on the machine.
- Start the motor.
- Open and close the jaws 5-6 times.
- Turn off the motor. Turn the main switch to the "0"-position.
- Check for leaks.

## Disconnect the hydraulic hoses

- Open the jaws to the maximum to retract the hydraulic cylinders completely.
- Turn off the motor.
- Rotate the outer sleeve so that the slot coincides with the ball and push towards the ball to disconnect the connection.
- Remove the tool from the machine. See the operator's manual for the demolition machine for instructions.

## Adjusting movable jaws (DCR 100)

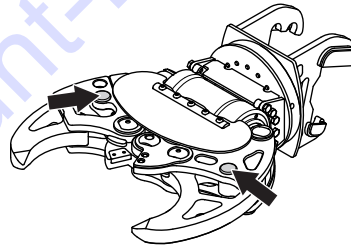


**CAUTION!** Always adjust the movable jaws so that their position is in line with the vertical axis of the crusher.

It is possible to adjust the opening of the jaws by moving the position of the pins in two different slots.

The jaws can be adjusted for cutting material with a thickness of 31 mm to 430 mm.

- Insert the pin unlocking wrench and push until the pin unhooks. Extract the pin.



- Move the jaw to the desired position. Align the holes and insert the pin.



# OPERATING

## Protective equipment

### General

- Do not use the machine unless you are able to call for help in the event of an accident.

### Personal protective equipment

You must use approved personal protective equipment whenever you use the machine. Personal protective equipment cannot eliminate the risk of injury but it will reduce the degree of injury if an accident does happen. Ask your dealer for help in choosing the right equipment.



**WARNING!** When in use, the machine can generate dust and fumes that can contain harmful chemicals. Know the nature of the material being worked on and wear appropriate dust mask or respirator protection. A face mask is especially important when working indoors due to the limited ventilation. In some situations it can also be suitable to apply water in order to decrease the dust.

**Long-term exposure to noise can result in permanent hearing impairment. So always use approved hearing protection. Listen out for warning signals or shouts when you are wearing hearing protection. Always remove your hearing protection as soon as the engine stops.**

Chemicals such as degreasing agent, grease and hydraulic fluid can give rise to allergies in conjunction with repeated skin contact. Avoid contact with the skin, use protective equipment.

When in use, the machine can generate dust and fumes that can contain harmful chemicals. Know the nature of the material being worked on and wear appropriate dust mask or respirator protection.

A face mask is especially important when working indoors due to the limited ventilation. In some situations it can also be suitable to apply water in order to decrease the dust.

Always wear:

- Approved protective helmet
- Hearing protection
- Approved eye protection. If you use a face shield then you must also wear approved protective goggles. Approved protective goggles must comply with standard ANSI Z87.1 in the USA or EN 166 in EU countries. Visors must comply with standard EN 1731.
- Breathing mask
- Heavy-duty, firm grip gloves.
- Tight-fitting, heavy-duty and comfortable clothing that permits full freedom of movement.
- Boots with steel toe-caps and non-slip sole

Be careful as clothing, long hair, and jewellery can get caught in moving parts.

## Other protective equipment



**CAUTION!** Sparks may appear and start a fire when you work with the machine. Always keep fire fighting equipment handy.

- Fire Extinguisher
- Always have a first aid kit nearby.
- Use an approved lifting device to secure and lift heavy machine parts.

## General safety precautions



**WARNING!** Read all safety warnings and all instructions. Failure to follow the warnings and instructions may result in electric shock, fire and/or serious injury.

This section describes basic safety directions for using the machine. This information is never a substitute for professional skills and experience.

- Please read the operator's manual carefully and make sure you understand the instructions before using the machine. **Save all warnings and instructions for future reference.**
- This machine is used in combination with other products. Please read the manual provided with the products carefully and make sure you understand the instructions before using the machine.
- Keep in mind that it is you, the operator that is responsible for not exposing people or their property to accidents or hazards.
- All operators shall be trained in the use of the machine. The owner is responsible for ensuring that the operators receive training.
- The machine must be kept clean. Signs and stickers must be fully legible. Replace all worn or damaged decals.



**WARNING!** The machine can be a dangerous tool if used incorrectly or carelessly, which can cause serious or fatal injury to the operator or others.

**Never allow children or other persons not trained in the use of the machine to use or service it. Never allow anyone else to use the machine without first ensuring that they have understood the contents of the operator's manual.**

**Never use the machine if you are fatigued, while under the influence of alcohol or drugs, medication or anything that could affect your vision, alertness, coordination or judgement.**

# OPERATING



**WARNING! Unauthorized modifications and/or accessories may lead to serious injury or death to the user or others.**

**Do not modify this product or use it if it appears to have been modified by others.**

**Never use a machine that is faulty. Carry out the checks, maintenance and service instructions described in this manual. Some maintenance and service measures must be carried out by trained and qualified specialists. See instructions under the heading Maintenance.**

**Always use genuine accessories.**

## Always use common sense

It is not possible to cover every conceivable situation you can face. Always exercise care and use your common sense. If you get into a situation where you feel unsafe, stop and seek expert advice. Contact Discount-equipment. Do not attempt any task that you feel unsure of!

## Work safety

### Work area safety

#### The machine's risk area

Nobody is permitted to be within the machine's risk area when work is underway. This also applies for the operator.

The working area is limited by the machine's reach, however, the risk area varies depending on working method, work object, surface etc. Study possible risks before starting work. If conditions change during the course of the work, the risk area must be redefined.

### Workplace

- Define and cordon off the risk area. Nobody is permitted to be within the machine's risk area when work is underway.
- Ensure that the working area is sufficiently illuminated to create a safe working environment.
- The machine can be remote controlled over long distances. Do not operate the machine unless you have clear supervision of the machine and its risk area.
- Never start working with the machine until the working area has been cleared of obstacles.
- Be on the alert when working in environments where there is a substantial risk of slipping due to unevenness, loose material, oil, ice or suchlike.
- Inspect ground conditions, load-bearing structures etc. to prevent materials, machines and staff falling and deal with any risks there might be before starting work.
- When working at a height, for instance on roofs, platforms and the like, increase the size of the risk area. Define and cordon off the risk area at ground level and ensure that no material can fall down and cause injury.

- Do not use the machine in environments where there is a risk of explosion. Take the risk of spark formation into account when working in flammable environments.
- Always check and mark where electricity cables and pipelines are routed.
- The air in confined spaces can rapidly become harmful to health due to, for example, dust and gases. Use protective equipment and ensure that there is satisfactory ventilation.

## Personal safety

- Never use the machine if you are tired, if you have drunk alcohol, or if you are taking medication that could affect your vision, your judgement or your co-ordination.
- Wear personal protective equipment. See instructions under the heading "Personal protective equipment".
- An incorrect maneuver or unforeseeable incident can result in collapse. Never stand underneath the work object.
- Never stand where there is a risk of being crushed. The machine can rapidly change position. Never stand underneath a raised arm, even if the machine is turned off.
- Reduce the risk when working alone by making sure that an emergency alarm is available via mobile phone or other equipment.
- People and animals can distract you causing you to lose control of the machine. For this reason, always remain concentrated and focused on the task. Never allow children to operate the machine.
- Always work in a manner that permits easy access to the emergency stop.

## Hydraulic safety

- Risk of burn. The hydraulic oil, the hoses and the connections can reach very high temperatures with or without the tool connected. Use appropriate personal protective equipment.
- Before performing operations on the hydraulic system, wait until the machine has cooled down.
- Check that all couplings, connections and hydraulic hoses are in full working order.
- Keep the hydraulic hoses and couplings free from dirt.
- Do not misuse hoses.
- Do not use hoses that are distorted, worn or damaged.
- Check that none of the hoses are rubbing against sharp edges. Be alert to the risk of abrasive jets.
- Adjust the length of hydraulic hoses so that they are never entirely stretched.
- Ensure that the hose is not twisted during mounting.
- Avoid severe bends in the hose.
- Check that the hoses are connected correctly to the machine and that the hydraulic couplings lock as intended before pressurising the hydraulic system. The couplings are locked by turning the outer sleeve on the female coupling so that the slot moves away from the ball.

# OPERATING

The pressure hoses in the system must always be connected to the tool's intake. The return hoses in the system must always go to the tool's outlet. Confusing the connections can cause the tool to work in reverse, which can result in personal injury.

- Check for leakage at the hose connectors, couplings and cylinders. A rupture or leak can cause a "hydraulic oil injection" in the body or result in other serious physical injury.
- Do not check for leakage with your hands. Contact with the leak can result in serious personal injury caused by the high pressure in the hydraulic system.
- Do not exceed the specified hydraulic oil flow or pressure for the tool being used. Excessive pressure or flow can result in rupturing.

## Use with the tool mounted on the machine

- Never leave the machine unsupervised with the motor running.
- Always switch off the machine before you move it.
- Always unplug the machine during longer work breaks.
- Check that all couplings, connections and cables are intact and free from dirt. If an emergency situation should arise anyway, push the red emergency stop button.
- Keep all parts in good working order and ensure that all fixtures are properly tightened.
- The user must only carry out the maintenance and service work described in this manual. More extensive work must be carried out by an authorized service workshop.
- Use personal protective equipment as well as equipment to mechanically secure machine components during maintenance and service.
- If service operations or trouble shooting does not require the machine to be switched on, the power cable must be removed and positioned so that it cannot be connected by mistake.
- Pipe and hose couplings can remain pressurized despite the motor being switched off. Always work on the assumption that the hoses are under pressure when dismantling. Take great care when undoing connections and use appropriate personal protective equipment.
- Use an approved lifting device to secure and lift heavy machine parts.
- Several components heat up during work with the machine. Do not commence any servicing or maintenance tasks until the machine has cooled.
- When work is finished, operate the arm to rest against the ground before turning off the machine.

## Transport and storage

### Lifting the tool

- When lifting the tool there is a risk of injuring persons or damaging the machine or the surroundings. Define the risk area and check that nobody is present within the area when lifting.
- Use an approved lifting device to secure and lift heavy machine parts.
- The lifting equipment must be attached at all the machine's lifting points.

### Securing the load

- Fix the tool on a pallet and handle with a forklift.
- Secure the equipment during transportation in order to avoid transport damage and accidents.

### Transport

- For transport of short distances the tool can be transported at low speed while mounted on the machine. Retract the arm system. The center of gravity must be as close to the machine's center as possible.
- When loading or unloading using a ramp the tool must be removed from the machine.

### Storage

- Remove the tool from the machine.
- Store the tools safely and inaccessible to unauthorised people. Ensure that they are in a stable position and cannot tip over. If tools are placed high up or on a slope they must be secured so that they cannot be put into motion or fall. Protect the tools' hydraulic couplings against dirt and damage.
- Store the equipment in a lockable area so that it is out of reach of children and unauthorized persons.
- Store the machine and its equipment in a dry and frost proof place.

# MAINTENANCE

## General



**WARNING!** The user must only carry out the maintenance and service work described in this manual. More extensive work must be carried out by an authorized service workshop.

All operations described in this section must be performed with the tool dismantled from the machine and positioned on the ground.

Use personal protective equipment as well as equipment to mechanically secure machine components during maintenance and service.

The life span of the machine can be reduced and the risk of accidents can increase if machine maintenance is not carried out correctly and if service and/or repairs are not carried out professionally. If you need further information please contact Discount-equipment.

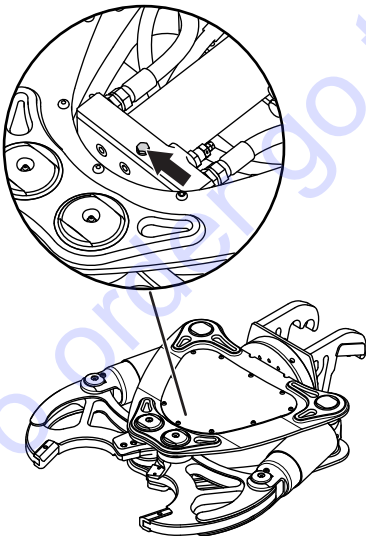
- Let your Husqvarna dealer regularly check the machine and make essential adjustments and repairs.

## DCR 300



**CAUTION!** Before performing any type of service, the residual hydraulic pressure has to be discharged.

- Open the jaws to the maximum to retract the hydraulic cylinders completely.
- Remove the screw to discharge the residual hydraulic pressure.



## Maintenance schedule

In the maintenance schedule you can see which parts of your machine that require maintenance, and with which intervals it should take place. The intervals are calculated based on daily use of the machine, and may differ depending on the rate of usage.

Daily maintenance	Weekly maintenance
Cleaning	Jaws
General inspection	
Cutters for reinforcing bar	
Lubrication	

## Cleaning

- Clean with a rag or brush.
- The tool can be cleaned more thoroughly by washing it with water and detergent.

## General inspection

- Check the tool for damage and wear.
- Check that all couplings, connections and hydraulic hoses are in full working order. Replace if necessary.
- Check the tightening of the bolts that fix the shear blades with a dynamometric wrench.

## Cutters for reinforcing bar

- When worn on one side the cutters can be rotated 180° for a new sharp edge. When worn on both sides, the cutter can be replaced. Always use genuine parts.
- Check the cutters. Never use cutters that are cracked or damaged.

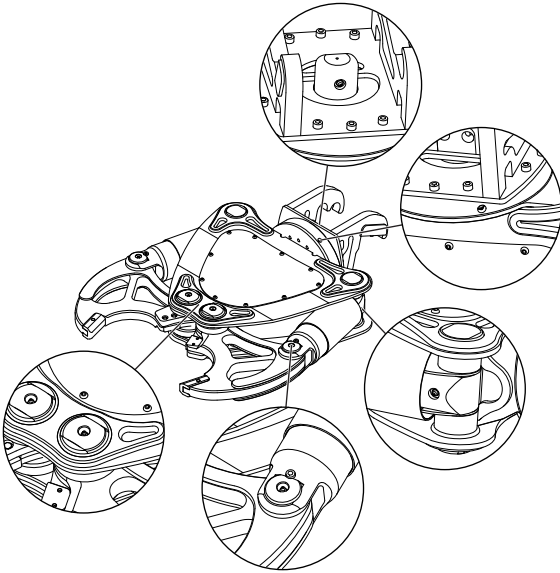
**NOTICE!** Damaged cutters can cause damage to the tool. Never use cutters that are cracked or damaged.

# MAINTENANCE

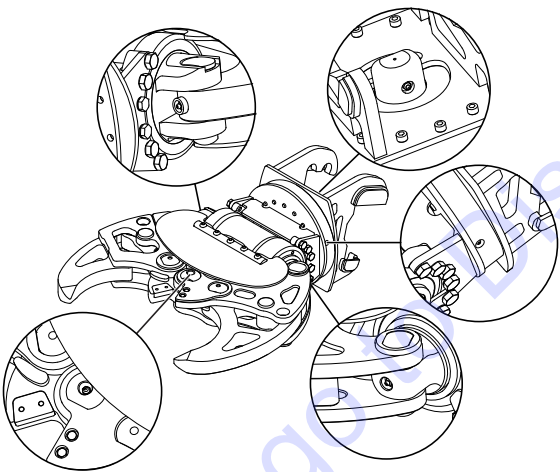
## Lubrication

The greasing points are indicated with a red circle. Replace damaged nipples.

### DCR 300



### DCR 100



## Jaws



**CAUTION!** The dismantling and mounting of the main pivots of the jaws has to be carried out by an authorized service workshop.

Check the wear of the crushing surfaces on the jaws and add filling material if necessary.

- Before adding filling material, remove all remains of paint, as these can cause development of toxic gases.
- Preheat the surface up to 150-200 °C.
- After adding filling material, let cool slowly to room temperature.

## Recommended welding wire

- ESAB OK 83.30 DIN 8555-E1 300
- ESAB OK 83.50 DIN 8555-E6-55
- SIEV-FRO B-500
- SIEV-FRO B-600

## Replaceable tips (DCR 300)

The tips can be removed for welding work or replaced if worn out.

## Long-term storage

Ensure the machine is cleaned and that a complete service is carried out before long-term storage.

## Worn product

This machine has the prerequisites to last for many years. This minimizes the machine's environmental impact. Perform service and maintenance according to the instructions in this manual. This way the engine will last longer and the hazardous emissions are minimized.

When the machine is worn out it should be disposed of for recycling or scrapping.

Follow local regulations for disposal and recycling.

## Troubleshooting schedule



**WARNING!** Most accidents involving machines occur during trouble shooting, service and maintenance as staff have to locate themselves within the machine's risk area. Prevent accidents by being alert and by planning and preparing the work.

If service operations or trouble shooting does not require the machine to be switched on, the power cable must be removed and positioned so that it cannot be connected by mistake.

Problem	Cause	Possible action
Reduced performance	Insufficient hydraulic flow and/or hydraulic pressure.	Make sure that all hydraulic hoses and connections are intact and correctly connected.
		Fault in the hydraulic system.*
Vibrations	Screws and bolts loose or missing.	Check tightening torque of the screws or bolts. Replace missing screws.*
The crusher does not open/close.	Hydraulic flow and/or hydraulic pressure missing.	Fault in the hydraulic system.*
The maneuvering of the scissors is reversed.	Reverse delivery and return hose.	Connect inlet hose to the tool's intake and the return hose to the tool's outlet.
Oil leak	Loose connections.	Tighten the connections.*
	Damaged hoses or couplings.*	Replace damaged hoses or couplings.*

\*Conducted by authorised service workshop.

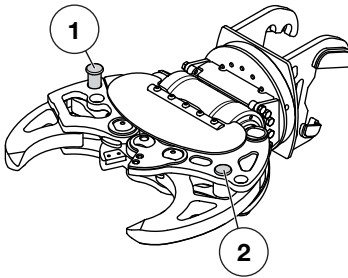
# TECHNICAL DATA

## Technical data

	DCR 300	DCR 100
Weight with connection plate and hoses, kg (lb)	274 (604)	192 (432)
Suitable carrier	DXR 310 / DXR 250	DXR 140
<b>Hydraulic System</b>		
Max. incoming pressure, bar (psi)	200 (2900)	200 (2900)
Operating pressure, bar (psi)	500 (7250)	200 (2900)
Max. flow, l/min (gal/min)	100 (26)	55 (15)
<b>Dimensions</b>		
Height with connection plate, mm (inch)	1125 (44 1/4)	1000 (39 1/2)
Width, mm (inch)	883 (34 3/4)	730 (28 3/4)
Depth, mm (inch)	330 (13)	330 (13)
Max. distance between tips, mm (inch)	430 (17)	425 (16 3/4) <sup>1</sup>
Min. distance between tips, mm (inch)	25 (1)	25 (1) <sup>2</sup>
Rotation angle	Free rotation 360°	Free rotation 360°

<sup>1</sup>Pins in outer position (1).

<sup>2</sup>Pins in inner position (2).



## Performance

### DCR 300

Jaws depth, mm (inch)	195 (7 3/4)
Closing time (capacity 65 l/min), s	2,8
Opening time (capacity 65 l/min), s	1,9
Max. power at the tips (in max. opening position, crushing start), kN (t)	440 (45)
Max. rod cutting power, kN (t)	1400 (143)
Max. rod cutting diameter, mm (inch)	30 (1 1/8)

### DCR 100

Jaws depth, mm (inch)	185 (7 2/8)
Closing time (capacity 52 l/min), s	3,7
Opening time (capacity 52 l/min), s	2,0
Max. power at the tips (in max. opening position, crushing start), kN (t)	335 (34) <sup>1</sup> / 317 (32) <sup>2</sup>
Max. power at the tips (in min. opening position, crushing end), kN (t)	155 (16) <sup>1</sup> / 159 (16) <sup>2</sup>
Max. rod cutting power, kN (t)	920 (94)
Max. rod cutting diameter, mm (inch)	28 (1 1/8)

<sup>1</sup>Pins in outer position (1).

<sup>2</sup>Pins in inner position (2).

# EXPLICATION DES SYMBOLES

## Symboles sur la machine:

AVERTISSEMENT! La machine utilisée de manière imprudente ou inadéquate peut devenir un outil dangereux, pouvant causer des blessures graves voire mortelles à l'utilisateur et aux autres personnes présentes.



Lire attentivement et bien assimiler le manuel d'utilisation avant d'utiliser la machine.



Utiliser les équipements de protection personnelle. Voir au chapitre "Équipement de protection personnelle".



AVERTISSEMENT! Risque de blessures par écrasement ! Le risque de coincement est toujours présent lors de travail avec des produits comportant des éléments mobiles.



AVERTISSEMENT! Surface chaude.



AVERTISSEMENT! Prenez garde aux matériaux de démolition qui se détachent lors de la découpe. Utilisez un équipement de protection individuelle et restez à distance.



AVERTISSEMENT! Présence de pression hydraulique même lorsque la machine est arrêtée. Consulter le manuel d'utilisation avant utilisation.



Le mécanisme d'élévation doit être attaché à tous les points de soulèvement de la machine.



**Marquage environnemental.** Ce symbole figurant sur le produit ou sur son emballage indique que ce produit ne peut pas être traité comme déchet ménager. Il doit être collecté et amené à une installation de récupération appropriée de déchets d'équipements électriques et électroniques.



En veillant à ce que ce produit soit correctement éliminé, vous pouvez contribuer à prévenir les conséquences négatives potentielles sur l'environnement et les hommes, qui pourraient sinon être le résultat d'un traitement incorrect des déchets de ce produit.

Pour des informations plus détaillées sur le recyclage de ce produit, contactez votre commune ou le magasin où vous avez acheté le produit.

**Les autres symboles/autocollants présents sur la machine concernent des exigences de certification spécifiques à certains marchés.**

## Explication des niveaux d'avertissement

Il existe trois niveaux d'avertissement.

### AVERTISSEMENT!



**AVERTISSEMENT!** Symbole utilisé en cas de risque de blessures très graves ou de mort pour l'utilisateur ou de dommages pour les environs si les instructions du manuel ne sont pas suivies.

### REMARQUE !



**REMARQUE !** Symbole utilisé en cas de risque de blessures pour l'utilisateur ou de dommages pour les environs si les instructions du manuel ne sont pas suivies.

### ATTENTION !



**ATTENTION !** Symbole utilisé en cas de risque de dommages pour les matériaux ou la machine si les instructions du manuel ne sont pas suivies.

---

# SOMMAIRE

---

## Sommaire

### EXPLICATION DES SYMBOLES

Symboles sur la machine: .....	15
Explication des niveaux d'avertissement .....	15

### SOMMAIRE

Sommaire .....	16
----------------	----

### PRÉSENTATION

Cher client, .....	17
Fonctions .....	17
Domaines d'utilisation .....	17

### PRÉSENTATION

Quels sont les composants de l'outil? .....	18
---	----

### PRÉSENTATION

Quels sont les composants de l'outil? .....	19
---	----

### MONTAGE ET RÉGLAGES

Généralités .....	20
Montage de l'outil sur la machine .....	20
Branchez les tuyaux hydrauliques .....	20
Débrancher les flexibles hydrauliques .....	20
Réglage des mâchoires amovibles .....	20

### COMMANDE

Équipement de protection .....	21
Instructions générales de sécurité .....	21
Sécurité du travail .....	22

### ENTRETIEN

Généralités .....	24
Schéma d'entretien .....	24
Nettoyage .....	24
Inspection générale .....	24
Fraises pour guide-chaîne renforcé .....	24
Graissage .....	25
Mâchoires .....	25
Remisage prolongé .....	25
Produit usé .....	25
Plan de recherche de pannes .....	26

### CARACTÉRISTIQUES TECHNIQUES

Caractéristiques techniques .....	27
-----------------------------------	----

### DECLARATION DE GARANTIE ETATS-UNIS

POLITIQUE DE GARANTIE .....	28
EQUIPEMENT .....	28



# PRÉSENTATION

## Cher client,

Nous vous remercions d'avoir choisi un produit Husqvarna !

Nous espérons que cette machine vous donnera toute satisfaction et qu'elle vous accompagnera pendant de longues années. L'achat de l'un des nos produits garantit une assistance professionnelle pour l'entretien et les réparations. Si la machine n'a pas été achetée chez l'un de nos revendeurs autorisés, demandez l'adresse de l'atelier d'entretien le plus proche.

Ce mode d'emploi est précieux. Veillez à ce qu'il soit toujours à portée de main sur le lieu de travail. En suivant les instructions qu'il contient (utilisation, révision, entretien, etc.), il est possible d'allonger considérablement la durée de vie de la machine et d'augmenter sa valeur sur le marché de l'occasion. En cas de vente de la machine, ne pas oublier de remettre le manuel d'utilisation au nouveau propriétaire.

## Plus de 300 ans d'innovation

Husqvarna AB est une entreprise suédoise qui a vu le jour en 1689 lorsque le roi Karl XI décida de construire un arsenal pour la fabrication des mousquets. À l'époque, les compétences en ingénierie à la base du développement de certains des produits leaders du marché mondial dans des domaines tels que les armes de chasse, les vélos, les motos, l'électroménager, les machines à coudre et les produits d'extérieur, étaient déjà solides.

Husqvarna est le premier fournisseur mondial de produits motorisés pour utilisation en extérieur dans la foresterie, l'entretien de parcs, de pelouses et de jardins, ainsi que d'équipements de coupe et d'outils diamant destinés aux industries de la construction et de la pierre.

## Responsabilité de l'utilisateur

Il est de la responsabilité du propriétaire/de l'employeur de s'assurer que l'utilisateur possède les connaissances nécessaires pour manipuler la machine en toute sécurité. Les responsables et les utilisateurs doivent avoir lu et compris le Manuel d'utilisation. Ils doivent avoir conscience :

- Des instructions de sécurité de la machine.
- Des diverses applications de la machine et de ses limites.
- De la façon dont la machine doit être utilisée et entretenue.

La législation nationale peut réglementer l'utilisation de cette machine. Recherchez la législation applicable dans le lieu où vous travaillez avant d'utiliser la machine.

## Droit de réserve du fabricant

Toutes les informations et toutes les données indiquées dans ce manuel d'utilisation étaient valables à la date à laquelle ce manuel a été porté à l'impression.

Husqvarna AB travaille continuellement au développement de ses produits et se réserve le droit d'en modifier, entre autres, la conception et l'aspect sans préavis.

## Fonctions

Les produits Husqvarna se distinguent par des valeurs telles que la haute performance, la fiabilité, la technologie innovante, les solutions techniques de pointe et les considérations environnementales.

Certaines des caractéristiques uniques de votre produit sont décrites ci-dessous.

## Fraises remplaçables à double tranchant pour guide-chaîne renforcé

Une fois usées d'un côté, les fraises peuvent pivoter à 180° afin d'obtenir un nouveau bord tranchant. Lorsqu'elles sont usées des deux côtés, les fraises peuvent être remplacées.

## Mâchoires réglables (DCR 100)

Les mâchoires peuvent être réglées pour un équipement de coupe d'une épaisseur de 31 à 430 mm.

## Pointes remplaçables (DCR 300)

Les pointes peuvent être déposées pour les travaux de soudure ou remplacées en cas d'usure.

## Domaines d'utilisation



**AVERTISSEMENT! Il est interdit d'utiliser l'outil à des fins de levage, poussage, traction, battage ou transport de tout type de matériau.**

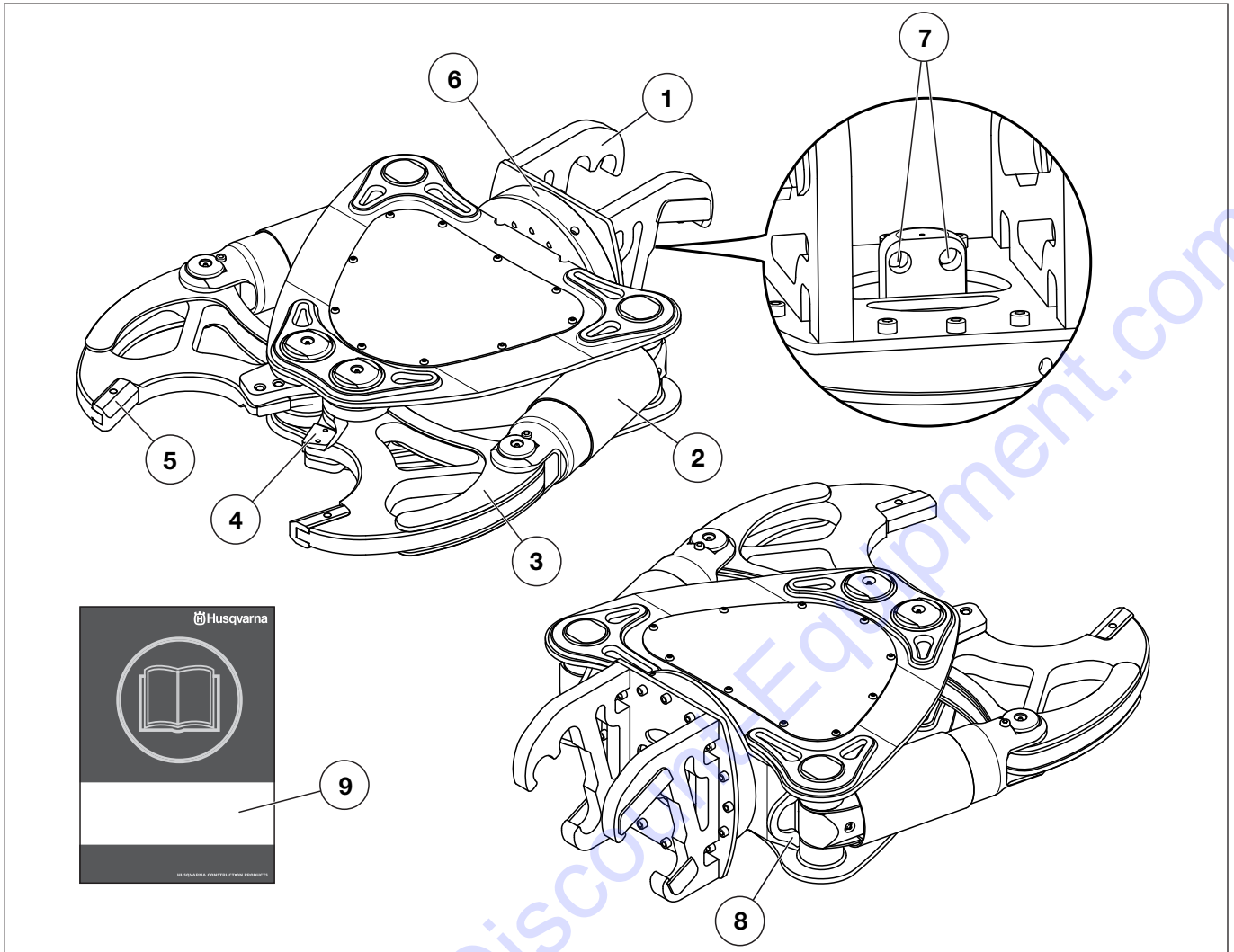
L'outil est conçu pour être monté sur une machine afin de démolir des constructions en béton, telles que les murs, les plafonds et les sols.

Les outils ne peuvent être utilisés qu'en association avec les machines indiquées ci-dessous.

	DCR 300	DCR 100
DXR 310	X	
DXR 250	X	
DXR 140		X

La machine est conçue pour des applications industrielles et destinée à des opérateurs expérimentés.

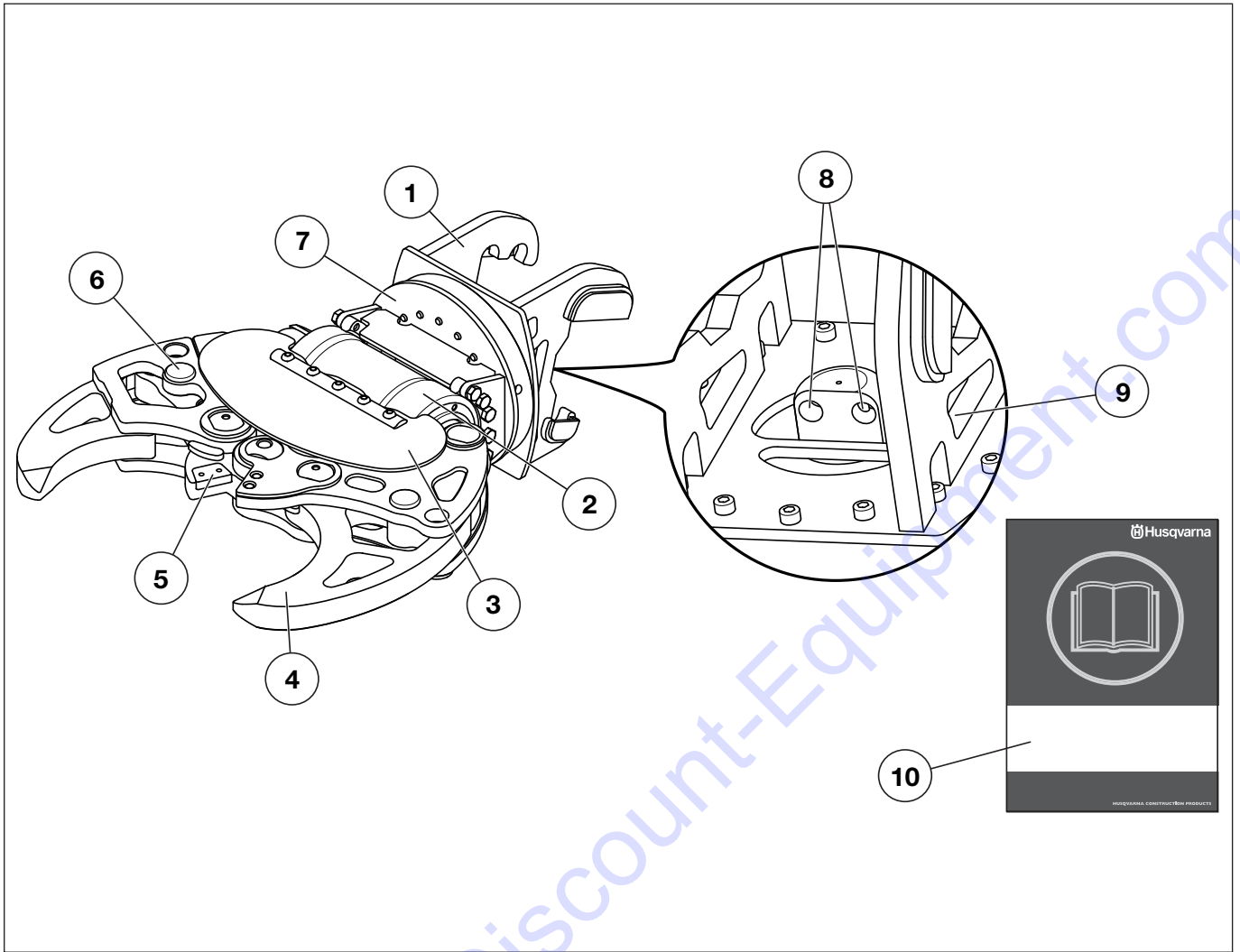
# PRÉSENTATION



## Quels sont les composants de l'outil? (DCR 300)

- |                                      |                               |
|--------------------------------------|-------------------------------|
| 1 Attache à outils                   | 6 Paliers de débrayage à 360° |
| 2 Cylindre                           | 7 Raccords hydrauliques       |
| 3 Mâchoires                          | 8 Point de levage             |
| 4 Fraises pour guide-chaîne renforcé | 9 Manuel d'utilisation        |
| 5 Pointes                            |                               |

# PRÉSENTATION



## Quels sont les composants de l'outil? (DCR 100)

- |   |                                    |    |                                    |
|---|------------------------------------|----|------------------------------------|
| 1 | Attache à outils                   | 6  | Goupilles de réglage des mâchoires |
| 2 | Cylindre                           | 7  | Paliers de débrayage à 360°        |
| 3 | Plaque de protection               | 8  | Raccords hydrauliques              |
| 4 | Mâchoires                          | 9  | Point de levage                    |
| 5 | Fraises pour guide-chaîne renforcé | 10 | Manuel d'utilisation               |

# MONTAGE ET RÉGLAGES

## Généralités



**AVERTISSEMENT!** Assurez-vous que l'outil est correctement placé et qu'il ne présente aucun risque. Un outil se détachant accidentellement peut causer des blessures personnelles.

Assurez-vous que les performances de l'outil et de la machine (poids, pression hydraulique, flux, etc.) sont compatibles.

Empêchez la poussière d'entrer dans le système hydraulique en :

- Essuyant la poussière des raccordements avant le montage ou le démontage.
- Plaçant des pare-poussières sur les raccordements hydrauliques de la machine lorsqu'aucun outil n'est monté.
- Vous assurant que les tuyaux de l'outil sont toujours assemblés les uns aux autres lorsque l'outil n'est pas connecté à la machine.

## Montage de l'outil sur la machine

- Voir le manuel d'utilisation de la machine de démolition pour les instructions.

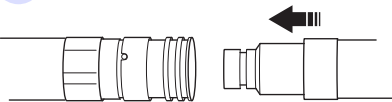
## Branchez les tuyaux hydrauliques



**REMARQUE !** Les raccordements à boyaux peuvent rester pressurisés même si le moteur est éteint et le câble électrique débranché. Considérez toujours que les tuyaux hydrauliques sont pressurisés et ouvrez-les très prudemment. Soulagez la pression sur le système de bras en le posant sur le sol et éteignez le moteur électrique avant de démonter les tuyaux. Faites très attention lorsque vous démontez les connexions et utilisez un équipement de protection individuelle adapté.

Les tuyaux hydrauliques sont équipés d'accouplements à baïonnette avec décompression. Ceci facilite le positionnement des tuyaux, même si la pression est bloquée.

- Connecter le raccord mâle de l'outil au raccord femelle de la machine. L'écrou doit émettre un claquement lorsque le montage est correct. Pour verrouiller les raccords, tournez la douille extérieure du raccord femelle afin que la rainure s'éloigne de la boule.



- Connecter le raccord femelle de l'outil au raccord mâle de la machine.
- Démarrer le moteur.
- Ouvrir et fermer les mâchoires 5 à 6 fois.
- Arrêter le moteur. Mettre l'interrupteur principal en position "0".
- Rechercher la présence de fuites.

## Débrancher les flexibles hydrauliques

- Fermer les mâchoires au maximum afin que les cylindres hydrauliques se rétractent complètement.
- Arrêter le moteur.
- Faire pivoter le manchon externe afin que la fente coïncide avec la bille et pousse en direction de celle-ci afin de déconnecter le raccord.
- Démontez l'outil de la machine. Voir le manuel d'utilisation de la machine de démolition pour les instructions.

## Réglage des mâchoires amovibles (DCR 100)

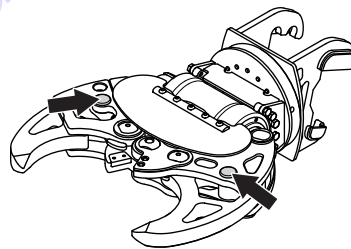


**REMARQUE !** Toujours régler les mâchoires amovibles afin de les aligner avec l'axe vertical du broyeur.

Il est possible de régler l'ouverture des mâchoires en installant des goupilles dans deux fentes différentes.

Les mâchoires peuvent être réglées pour un équipement de coupe d'une épaisseur de 31 à 430 mm.

- Insérer la clé mixte de déverrouillage de la goupille et pousser jusqu'à ce que la goupille se détache. Extraire la goupille.



- Placer la mâchoire dans la position souhaitée. Aligner les trous et insérer la goupille.

## Équipement de protection

### Généralités

- Ne jamais utiliser une machine s'il n'est pas possible d'appeler au secours en cas d'accident.

### Équipement de protection personnelle

Un équipement de protection personnelle homologué doit impérativement être utilisé lors de tout travail avec la machine. L'équipement de protection personnelle n'élimine pas les risques mais réduit la gravité des blessures en cas d'accident. Demander conseil au concessionnaire afin de choisir un équipement adéquat.



**AVERTISSEMENT!** Lorsqu'elle est en marche, la machine peut générer de la poussière et des fumées pouvant contenir des produits chimiques nocifs. C'est pourquoi il est essentiel de connaître le matériau travaillé et de porter un masque à poussière ou respiratoire approprié. Il est particulièrement important de porter un système de sécurité respiratoire lors de travaux en intérieur, en raison de la ventilation limitée. Dans certaines situations, il peut être également approprié d'appliquer de l'eau afin de réduire la poussière.

**Une exposition prolongée au bruit risque de causer des lésions auditives permanentes. Toujours utiliser des protecteurs d'oreille agréés. Soyez toujours attentifs aux signaux d'alerte ou aux appels en portant des protège-oreilles. Enlevez-les sitôt le moteur arrêté.**

Des produits chimiques tels que des dégraissants, de la graisse et du fluide hydraulique peuvent donner des allergies en cas de contacts répétés avec la peau. Évitez le contact avec la peau, utilisez un équipement de protection.

Lorsqu'elle est en marche, la machine peut générer de la poussière et des fumées pouvant contenir des produits chimiques nocifs. C'est pourquoi il est essentiel de connaître le matériau travaillé et de porter un masque à poussière ou respiratoire approprié.

Il est particulièrement important de porter un système de sécurité respiratoire lors de travaux en intérieur, en raison de la ventilation limitée. Dans certaines situations, il peut être également approprié d'appliquer de l'eau afin de réduire la poussière.

Toujours utiliser:

- Casque de protection homologué
- Protecteur d'oreilles
- Des protège-yeux homologués. L'usage d'une visière doit toujours s'accompagner du port de lunettes de protection homologuées. Par lunettes de protection homologuées, on entend celles qui sont en conformité avec les normes ANSI Z87.1 (États-Unis) ou EN 166 (pays de l'UE). La visière doit être conforme à la norme EN 1731.
- Masque respiratoire
- Gants solides permettant une prise sûre.
- Vêtements confortables, robustes et serrés qui permettent une liberté totale de mouvement.
- Bottes avec coquille en acier et semelle antidérapante

Attention! Les habits, les cheveux longs et les bijoux peuvent se coincer dans les parties en mouvement.

## Autre équipement de protection



**REMARQUE !** Lorsque vous travaillez avec la machine, des étincelles peuvent se former et mettre le feu. Gardez toujours à portée de main les outils nécessaires à l'extinction d'un feu.

- Extincteur
- Une trousse de premiers secours doit toujours être disponible.
- Utilisez un matériel de montage agréé pour sécuriser et soulever des pièces lourdes de la machine.

## Instructions générales de sécurité



**AVERTISSEMENT!** Lire toutes les consignes et instructions de sécurité. Le non-respect des consignes et instructions peut provoquer une électrocution, un incendie et/ou des blessures graves.

Le présent chapitre décrit les consignes de sécurité de base relatives à l'utilisation de la machine. Aucune de ces informations ne peut remplacer l'expérience et le savoir-faire d'un professionnel.

- Lire attentivement et bien assimiler le manuel d'utilisation avant d'utiliser la machine. **Conserver toutes ces consignes et instructions pour toute consultation ultérieure.**
- Cette machine s'utilise avec d'autres produits. Lisez attentivement le manuel fourni avec les produits et assimilez-le bien avant toute utilisation.
- N'oubliez pas que c'est vous, l'opérateur, qui êtes responsable de protéger les tiers et leurs biens de tout accident ou danger.
- Tous les opérateurs doivent recevoir une formation sur l'utilisation de la machine. Il incombe au propriétaire de garantir que les opérateurs reçoivent une formation.
- La machine doit rester propre. Les signes et autocollants doivent être parfaitement lisibles. Remplacez les autocollants usés ou abîmés.



**AVERTISSEMENT!** La machine utilisée de manière imprudente ou inadéquate peut devenir un outil dangereux, pouvant causer des blessures graves voire mortelles à l'utilisateur et aux autres personnes présentes.

**Ne jamais permettre à des enfants ou à des personnes ne possédant pas la formation nécessaire d'utiliser ou d'entretenir la machine. Ne jamais laisser d'autres personnes utiliser la machine sans s'être assuré au préalable que ces personnes ont bien compris le contenu du mode d'emploi.**

**N'utilisez jamais la machine si vous êtes fatigué, avez bu de l'alcool ou pris des médicaments susceptibles d'affecter votre vue, votre jugement ou la maîtrise de votre corps.**



**AVERTISSEMENT!** Toute modification non autorisée et/ou tout emploi d'accessoires non homologués peuvent provoquer des accidents graves voire mortels pour l'utilisateur et les autres.

**Ne modifiez jamais cette machine de façon à ce qu'elle ne soit plus conforme au modèle d'origine et n'utilisez jamais une machine qui semble avoir été modifiée.**

**Ne jamais utiliser une machine qui n'est pas en parfait état de marche. Suivre dans ce manuel d'utilisation les instructions de maintenance, de contrôle et d'entretien. Certaines mesures de maintenance et d'entretien doivent être confiées à un spécialiste dûment formé et qualifié. Voir au chapitre Entretien.**

**N'utiliser que des accessoires et des pièces d'origine.**

## Utilisez toujours votre bon sens

Il est impossible de mentionner toutes les situations auxquelles vous pouvez être confronté. Soyez toujours vigilant et utilisez l'appareil avec bon sens. Si vous êtes confronté à une situation où vous pensez ne pas être en sécurité, arrêtez immédiatement et consultez un spécialiste. Veuillez contacter votre revendeur, votre atelier de réparation ou un utilisateur expérimenté. Il convient d'éviter tous les travaux pour lesquels vous ne vous sentez pas suffisamment qualifié !

## Sécurité du travail

### Sécurité dans l'espace de travail

#### La zone de risque de la machine

Personne n'est autorisé dans la zone de risque de la machine lorsque celle-ci est en marche. Ceci s'applique également à l'utilisateur.

La zone de travail est limitée à la portée de la machine, mais la zone de risque varie en fonction de la méthode et de l'objet de travail, de la surface, etc. Étudiez les risques éventuels avant d'entamer le travail. Si les conditions changent au cours du travail, la zone de risque doit être redéfinie.

#### Espace de travail

- Définissez et délimitez la zone de risque. Personne n'est autorisé dans la zone de risque de la machine lorsque celle-ci est en marche.
- S'assurer que l'éclairage de la zone de travail est suffisant pour que l'environnement de travail soit de toute sécurité.
- La machine peut être télécommandée sur de longues distances. N'utilisez la machine que si vous la maîtrisez parfaitement et avez une vision claire de sa zone de risque.
- Ne commencez jamais à travailler avec la machine avant d'avoir éliminé tout obstacle de la zone de travail.
- Soyez attentif lorsque vous travaillez dans des milieux présentant un risque important de dérapage en raison d'un sol inégal ou de matériaux mobiles comme l'huile ou la glace.

- Inspectez le sol, les murs porteurs, etc., pour éviter que des matériaux, des machines ou des personnes ne tombent et traitez tout risque potentiel avant de commencer à travailler.
- Lorsque vous travaillez en hauteur, sur des toits ou des plateformes par exemple, augmentez la taille de la zone de risque. Définissez et délimitez la zone de risque au niveau du sol et assurez-vous qu'aucun matériau ne puisse tomber et causer des blessures.
- N'utilisez pas la machine dans des milieux présentant un risque d'explosion. Tenez compte du risque de formation d'étincelles lorsque vous travaillez en milieu inflammable.
- Vérifiez toujours les câbles électriques et les conduites et marquez les endroits où ils passent.
- Dans des espaces confinés, l'air peut rapidement devenir dangereux pour la santé, en raison notamment de la poussière et des gaz. Utilisez un équipement de protection et assurez-vous que la ventilation est satisfaisante.

## Sécurité du personnel

- Éviter d'utiliser la machine en cas de fatigue, d'absorption d'alcool ou de prise de médicaments susceptibles d'affecter l'acuité visuelle, le jugement ou la maîtrise du corps.
- Utiliser les équipements de protection personnelle. Voir au chapitre "Équipement de protection personnelle".
- Une mauvaise manœuvre ou un accident imprévisible peuvent provoquer un effondrement. Ne vous placez jamais sous l'objet de votre travail.
- Ne vous placez jamais à un endroit où vous risquez de vous faire écraser. La machine peut très rapidement changer de position. Ne vous placez jamais sous un bras levé, même si la machine est arrêtée.
- Lorsque vous travaillez seul, réduisez les risques en vous assurant d'être en mesure le cas échéant, de faire retentir une alarme d'urgence via un téléphone portable ou un autre dispositif.
- Des personnes ou des animaux peuvent détourner l'attention de l'opérateur et l'amener à perdre le contrôle de la machine. C'est pourquoi l'opérateur doit toujours être attentif et concentré sur son travail. Ne jamais laisser des enfants manœuvrer la machine.
- Travaillez toujours de telle sorte que vous puissiez accéder facilement à l'arrêt d'urgence.

## Sécurité hydraulique

- Risque de brûlure. L'huile hydraulique, les tuyaux et les raccords peuvent atteindre des températures très élevées, que l'outil soit raccordé ou non. Utilisez un équipement de protection individuelle adapté.
- Avant toute opération sur le système hydraulique, attendre que la machine ait refroidi.
- Contrôlez que tous les raccords, connexions et flexibles hydrauliques sont intacts.
- Maintenez les flexibles hydrauliques et les raccords propres.
- Ne maltraitez pas les flexibles.

# COMMANDE

- Ne pas utiliser de tuyaux tordus, usés ou endommagés.
- Vérifiez qu'aucun tuyau ne frotte contre des bords tranchants. Soyez attentif au risque de jet abrasif.
- Ajustez la longueur des tuyaux hydrauliques afin qu'ils ne soient jamais complètement tendus.
- Assurez-vous que le tuyau n'est pas tourné pendant le montage.
- Évitez de trop courber le tuyau.
- Contrôlez que les flexibles sont raccordés correctement à la machine et que les raccords hydrauliques se verrouillent comme prévu avant de mettre le système hydraulique sous pression. Pour verrouiller les raccords, tournez la douille extérieure du raccord femelle afin que la rainure s'éloigne de la boule.

Les tuyaux de pression du système doivent toujours être connectés à l'entrée de l'outil. Les tuyaux de retour du système doivent toujours être connectés à la sortie de l'outil. Si les raccords sont inversés, l'outil travaille à l'envers et risque ainsi de blesser les personnes.

- Vérifiez qu'il n'y a pas de fuite dans les connecteurs de tuyaux, les raccords et les cylindres. Toute fissure ou fuite risque d'entraîner une « injection d'huile » dans le corps ou de causer une blessure corporelle grave.
- Ne jamais essayer de localiser une fuite avec la main. Le contact avec une fuite peut causer des blessures personnelles graves en raison de la pression élevée du système hydraulique.
- Ne dépassez pas le débit et la pression d'huile recommandés pour l'outil utilisé. Un débit ou une pression trop élevés peut causer des fissures.

## À utiliser avec l'outil monté sur la machine

- Ne laissez jamais la machine sans surveillance avec le moteur en marche.
- Arrêtez toujours la machine avant de la déplacer.
- Débranchez toujours la machine en cas d'interruption prolongée du travail.
- Vérifiez que tous les couplages, raccords et câbles sont intacts et qu'ils sont propres. Si vous êtes confronté à une situation d'urgence, appuyez sur le bouton d'arrêt d'urgence rouge.
- Assurez-vous que toutes les pièces sont en état de fonctionnement et que tous les éléments de fixation sont correctement serrés.
- L'utilisateur ne peut effectuer que les travaux d'entretien et de révision décrits dans ce manuel d'utilisation. Les mesures plus importantes doivent être effectuées dans un atelier d'entretien agréé.
- Utilisez un équipement de protection individuelle ainsi qu'un dispositif pour sécuriser mécaniquement les composants de la machine pendant les travaux d'entretien ou de réparation.
- Si les réparations ou les opérations de recherche de panne ne nécessitent pas que la machine soit allumée, retirez le câble électrique et placez-le de telle manière qu'il ne puisse pas être branché par erreur.

- Les raccords de tubes et de tuyaux peuvent rester pressurisés même une fois le moteur éteint. Considérez toujours que les tuyaux sont sous pression lorsque vous procédez au démontage. Faites très attention lorsque vous démontez les connexions et utilisez un équipement de protection individuelle adapté.
- Utilisez un matériel de montage agréé pour sécuriser et soulever des pièces lourdes de la machine.
- Plusieurs composants chauffent pendant le travail avec la machine. Ne commencez aucune opération de réparation ou d'entretien avant que la machine n'ait refroidi.
- Lorsque le travail est terminé, posez le bras sur le sol avant d'éteindre la machine.

## Transport et rangement

### Levage de l'outil

- Lors du levage de l'outil, il existe un risque de blessure des tiers et de dommages à la machine ou aux environs. Définir la zone de risque et vérifier que personne ne s'y trouve lors du levage de l'outil.
- Utilisez un matériel de montage agréé pour sécuriser et soulever des pièces lourdes de la machine.
- Le mécanisme d'élévation doit être attaché à tous les points de soulèvement de la machine.

### Sécuriser la charge

- Fixer l'outil sur une palette et le manipuler à l'aide d'un chariot élévateur.
- Sécurisez l'équipement lors du transport afin d'éviter tout dommage ou accident.

### Transport

- Sur de courtes distances, l'outil peut être transporté à vitesse réduite tout en étant monté sur la machine. Rétractez le système de bras. Le centre de gravité doit être le plus proche possible du centre de la machine.
- Lors du chargement et du déchargement sur une rampe, l'outil doit être déposé de la machine.

### Remisage

- Démontez l'outil de la machine.
- Rangez les outils dans un endroit sûr et inaccessible aux personnes non autorisées. Assurez-vous qu'ils sont stables et ne peuvent pas tomber. Si les outils sont placés en hauteur ou sur une pente, sécurisez-les de manière à ce qu'ils ne puissent pas bouger ou tomber. Protégez les raccords hydrauliques des outils contre la poussière ou un éventuel accident.
- Stockez l'équipement dans un endroit verrouillé afin de le maintenir hors de portée des enfants et de toute personne incompétente.
- Rangez la machine et ses équipements dans un endroit sec et à l'abri du gel.

## Généralités



**AVERTISSEMENT!** L'utilisateur ne peut effectuer que les travaux d'entretien et de révision décrits dans ce manuel d'utilisation. Les mesures plus importantes doivent être effectuées dans un atelier d'entretien agréé.

Toutes les opérations décrites dans cette rubrique doivent être réalisées avec l'outil déposé et posé au sol.

Utilisez un équipement de protection individuelle ainsi qu'un dispositif pour sécuriser mécaniquement les composants de la machine pendant les travaux d'entretien ou de réparation.

La durée de vie de la machine risque d'être écourtée et le risque d'accidents accru si la maintenance de la machine n'est pas effectuée correctement et si les mesures d'entretien et/ou de réparation ne sont pas effectuées de manière professionnelle. Pour obtenir de plus amples informations, contacter l'atelier de réparation le plus proche.

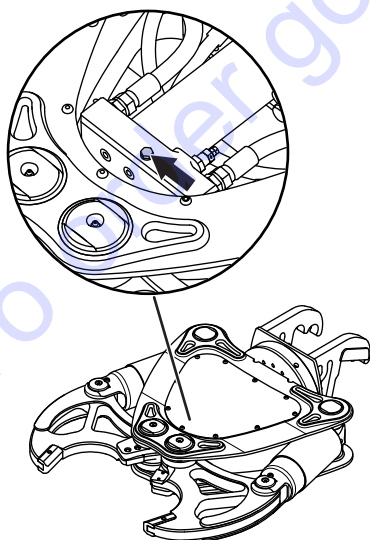
- Faites régulièrement contrôler la machine par votre revendeur Husqvarna afin qu'il procède aux installations et réparations adéquates.

## DCR 300



**REMARQUE !** Avant toute opération d'entretien, la pression hydraulique résiduelle doit être relâchée.

- Fermer les mâchoires au maximum afin que les cylindres hydrauliques se rétractent complètement.
- Déposer la vis afin de relâcher la pression hydraulique résiduelle.



## Schéma d'entretien

Le calendrier de maintenance vous indique quelles pièces de la machine nécessitent un entretien et à quelle fréquence cet entretien doit avoir lieu. La fréquence est calculée en fonction de l'utilisation quotidienne de la machine, et peut varier en fonction du degré d'utilisation.

Entretien quotidien	Entretien hebdomadaire
Nettoyage	Mâchoires
Inspection générale	
Fraises pour guide-chaîne renforcé	
Graissage	

## Nettoyage

- Nettoyer à l'aide d'un chiffon ou d'une brosse.
- L'outil peut être nettoyé de façon plus minutieuse en utilisant de l'eau et du détergent.

## Inspection générale

- Inspecter l'outil et rechercher tout dommage ou trace d'usure.
- Contrôlez que tous les raccords, connexions et flexibles hydrauliques sont intacts. Remplacez-les si nécessaire.
- Vérifier le serrage des boulons fixant les lames de cisailles avec une clé mixte dynamométrique.

## Fraises pour guide-chaîne renforcé

- Une fois usées d'un côté, les fraises peuvent pivoter à 180° afin d'obtenir un nouveau bord tranchant. Lorsqu'elles sont usées des deux côtés, les fraises peuvent être remplacées. Utiliser toujours des pièces de rechange d'origine.
- Vérifier les fraises. Ne jamais utiliser de fraises fissurées ou endommagées.

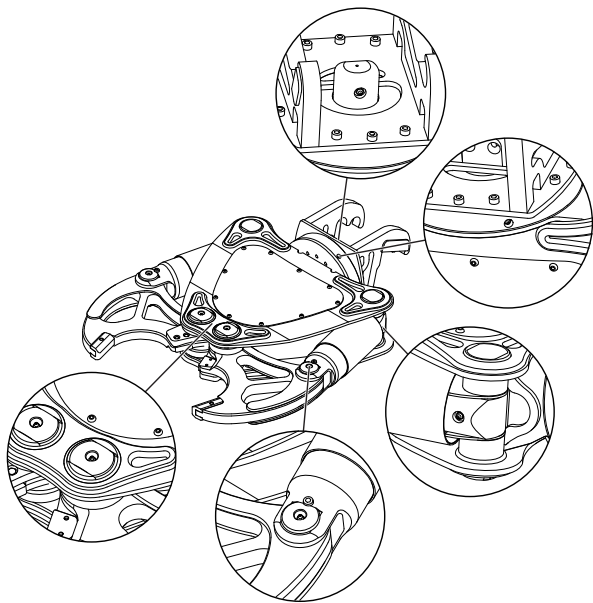
**ATTENTION !** Des fraises endommagées peuvent endommager l'outil. Ne jamais utiliser de fraises fissurées ou endommagées.



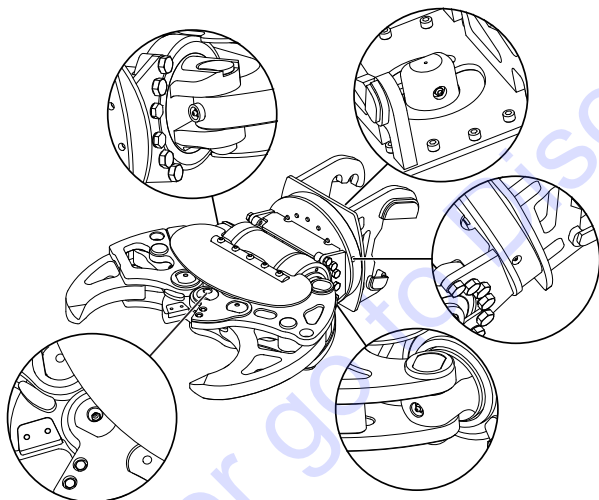
## Graissage

Les points de graissage sont signalés par un cercle rouge. Remplacer les graisseurs endommagés.

### DCR 300



### DCR 100



## Mâchoires



**REMARQUE !** L'installation et le démontage des pivots principaux des mâchoires doivent être réalisés par un atelier d'entretien agréé.

Vérifier l'usure des surfaces d'écrasement des mâchoires et ajouter du matériau de remplissage si nécessaire.

- Avant d'ajouter du matériau de remplissage, retirer toute trace de peinture, qui peut provoquer l'apparition de gaz toxiques.
- Préchauffer la surface à 150-200 °C.
- Après avoir ajouté le matériau de remplissage, laisser refroidir lentement à la température ambiante.

## Fil à souder recommandé

- ESAB OK 83.30 DIN 8555-E1 300
- ESAB OK 83.50 DIN 8555-E6-55
- SIEV-FRO B-500
- SIEV-FRO B-600

## Pointes remplaçables (DCR 300)

Les pointes peuvent être déposées pour les travaux de soudure ou remplacées en cas d'usure.

## Remisage prolongé

Avant de remettre la machine pour une période prolongée, veiller à ce qu'elle soit bien nettoyée et que toutes les mesures d'entretien aient été effectuées.

## Produit utilisé

Cette machine remplit les conditions nécessaires pour atteindre une longue durée de vie. Ceci minimise l'impact de la machine sur l'environnement. Effectuez les réparations et l'entretien conformément aux instructions de ce manuel. Ainsi, le moteur fonctionnera plus longtemps et les émissions dangereuses seront réduites au minimum.

Lorsque la machine est hors d'usage, elle doit être mise au rebut de façon à être recyclée ou détruite.

Respecter la réglementation locale en termes de mise au rebut et de recyclage.

## Plan de recherche de pannes



**AVERTISSEMENT!** La plupart des accidents impliquant des machines se produisent lors de dépannages, de réparations ou de travaux d'entretien, lorsque qu'un membre du personnel doit pénétrer dans la zone de risque de la machine. Prévenez des accidents en étant attentif et en planifiant et préparant le travail.

Si les réparations ou les opérations de recherche de panne ne nécessitent pas que la machine soit allumée, retirez le câble électrique et placez-le de telle manière qu'il ne puisse pas être branché par erreur.

Problème	Cause	Action possible
Performances réduites	Débit hydraulique et/ou pression hydraulique insuffisant(e).	S'assurer que tous les tuyaux et raccords hydrauliques sont en bon état et correctement raccordés.
		Défaut du système hydraulique.*
Vibrations	Vis et boulons desserrés ou manquants.	Vérifier le couple de serrage des vis ou des boulons. Remplacer les vis manquantes.*
Le broyeur ne s'ouvre pas/ne se ferme pas.	Absence de débit hydraulique et/ou de pression hydraulique.	Défaut du système hydraulique.*
Le fonctionnement des ciseaux est inversé	Inverse les tuyaux d'alimentation et de retour.	Raccorder le tuyau d'admission à l'entrée de l'outil, et le tuyau de retour à la sortie de l'outil.
Fuite d'huile	Raccords desserrés.	Serrer les raccords.
	Tuyaux ou raccords endommagés.*	Remplacer les tuyaux ou raccords endommagés.*

\*Doit être effectué par un atelier de service agréé.

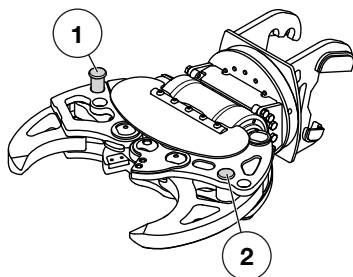
# CARACTÉRISTIQUES TECHNIQUES

## Caractéristiques techniques

	DCR 300	DCR 100
Poids avec plaque et tuyaux de raccord, kg (lb)	274 (604)	192 (432)
Chariot adapté	DXR 310 / DXR 250	DXR 140
<b>Système hydraulique</b>		
Pression entrante max., bars (psi)	200 (2900)	200 (2900)
Pression de fonctionnement, bars (psi)	500 (7250)	200 (2900)
Max. flow, l/min (gal/min)	100 (26)	55 (15)
<b>Dimensions</b>		
Hauteur avec plaque de raccord, mm (po)	1125 (44 1/4)	1000 (39 1/2)
Largeur, mm (pouces)	883 (34 3/4)	730 (28 3/4)
Profondeur, mm (po)	330 (13)	330 (13)
Distance max. entre les pointes, mm (po)	430 (17)	425 (16 3/4) <sup>1</sup>
Distance min. entre les pointes, mm (po)	25 (1)	25 (1) <sup>2</sup>
Angle de rotation	Rotation libre 360°	Rotation libre 360°

<sup>1</sup>Goupilles en position externe (1).

<sup>2</sup>Goupilles en position interne (2).



## Performances

### DCR 300

Profondeur des mâchoires, mm (po)	195 (7 3/4)
Délai de fermeture (capacité 65 l/min), s	2,8
Délai d'ouverture (capacité 65 l/min), s	1,9
Puissance max. aux pointes (en position d'ouverture max., démarrage broyeur), kN (t)	440 (45)
Puissance de coupe max. de la tige, kN (t)	1400 (143)
Diamètre de coupe max. de la tige, mm (po)	30 (1 1/8)

### DCR 100

Profondeur des mâchoires, mm (po)	185 (7 2/8)
Délai de fermeture (capacité 52 l/min), s	3,7
Délai d'ouverture (capacité 52 l/min), s	2,0
Puissance max. aux pointes (en position d'ouverture max., démarrage broyeur), kN (t)	335 (34) <sup>1</sup> / 317 (32) <sup>2</sup>
Puissance max. aux pointes (en position d'ouverture min., démarrage broyeur), kN (t)	155 (16) <sup>1</sup> / 159 (16) <sup>2</sup>
Puissance de coupe max. de la tige, kN (t)	920 (94)
Diamètre de coupe max. de la tige, mm (po)	28 (1 1/8)

<sup>1</sup>Goupilles en position externe (1).

<sup>2</sup>Goupilles en position interne (2).

# ACLARACION DE LOS SIMBOLOS

## Símbolos en la máquina:

¡ATENCIÓN! La máquina, si se utiliza de forma errónea o descuidada, puede ser una herramienta peligrosa que puede causar daños graves e incluso la muerte al usuario y a otras personas.



Lea detenidamente el manual de instrucciones y asegúrese de entender su contenido antes de utilizar la máquina.



Utilice el equipo de protección personal. Vea las instrucciones bajo el título "Equipo de protección personal".



¡ATENCIÓN! Riesgo de lesiones por aplastamiento. Existe siempre riesgo de accidentes por apriete al trabajar con aparatos con piezas móviles.



¡ATENCIÓN! Superficie caliente.



¡ATENCIÓN! Cuando realice, cortes preste atención al material de demolición que se desprende. Utilice un equipo de seguridad personal y respete las distancias.



¡ATENCIÓN! La máquina conserva la presión hidráulica aunque esté apagada. Lea el manual de instrucciones de la máquina antes de usarla.



El equipo de elevación debe montarse en todos los puntos de elevación de la máquina.



**Etiquetado ecológico.** El símbolo en el producto o en su envase indica que no se puede tratar este producto como desperdicio doméstico. Deberá por lo tanto depositarse en un centro de recogida adecuado para el reciclado de equipos eléctricos y electrónicos.



Haciendo que este producto sea manipulado adecuadamente, se ayuda a evitar consecuencias negativas potenciales para el medio ambiente y las personas, lo que puede ocurrir con la manipulación inadecuada como residuos del producto.

Para obtener información más detallada sobre el reciclado de este producto, contacte con la oficina municipal local, con el servicio de eliminación de desperdicios domésticos o con la tienda donde compró el producto.

**Los demás símbolos/etiquetas que aparecen en la máquina corresponden a requisitos de homologación específicos en determinados mercados.**

## Explicación de los niveles de advertencia

Las advertencias se clasifican en tres niveles.

### ¡ATENCIÓN!



¡ATENCIÓN! Indica un riesgo de daños graves para el usuario o incluso muerte, o bien daños al entorno, si no se siguen las instrucciones del manual.

### ¡NOTA!



¡NOTA! Indica un riesgo de lesiones para el usuario o daños al entorno si no se siguen las instrucciones del manual.

### AVISO

AVISO Indica un riesgo de daños en los materiales o en la máquina si no se siguen las instrucciones del manual.

# INDICE

## Índice

### ACLARACION DE LOS SIMBOLOS

Símbolos en la máquina: .....	29
Explicación de los niveles de advertencia .....	29

### INDICE

Índice .....	30
--------------	----

### PRESENTACIÓN

Apreciado cliente: .....	31
Características .....	31
Campo de aplicación .....	31

### PRESENTACIÓN

¿Qué es qué en la herramienta? .....	32
--------------------------------------	----

### PRESENTACIÓN

¿Qué es qué en la herramienta? .....	33
--------------------------------------	----

### MONTAJE Y AJUSTES

Generalidades .....	34
Montaje de la herramienta en la máquina .....	34
Conexión de las mangueras hidráulicas .....	34
Desacoplar las mangueras hidráulicas .....	34
Ajuste de la mordaza móvil .....	34

### FUNCIONAMIENTO

Equipo de protección .....	35
Instrucciones generales de seguridad .....	35
Seguridad en el trabajo .....	36

### MANTENIMIENTO

Generalidades .....	38
Programa de mantenimiento .....	38
Limpieza .....	38
Inspección general .....	38
Cuchillas para la espada de refuerzo .....	38
Lubricación .....	38
Mordaza .....	39
Almacenamiento prolongado .....	39
Producto desgastado .....	39
Tabla de localización de fallos .....	40

### DATOS TECNICOS

Datos técnicos .....	41
----------------------	----

### DECLARACIÓN DE GARANTÍA PARA EE. UU.

POLÍTICA DE GARANTÍA .....	42
EQUIPO .....	42

# PRESENTACIÓN

## Apreciado cliente:

Gracias por elegir un producto Husqvarna.

Esperamos que su máquina le proporcione plena satisfacción y le sirva de ayuda por mucho tiempo en adelante. La adquisición de alguno de nuestros productos da acceso a asistencia profesional con reparaciones y servicio. Si la máquina no fue adquirida en un distribuidor oficial, preguntar en la tienda de compra la dirección del taller de servicio más cercano.

Este manual de instrucciones es un documento importante. Procure tenerlo siempre a mano en el lugar de trabajo. Siguiendo sus instrucciones (de uso, servicio, mantenimiento, etcétera) puede alargar considerablemente la vida útil de la máquina e incrementar su valor de reventa. Si vende su máquina, entregue el manual de instrucciones al nuevo propietario.

## Más de 300 años de innovación

La fundación de la empresa sueca Husqvarna AB data del año 1689, cuando el Rey Karl XI encargó la construcción de una fábrica para la fabricación de mosquetes. En ese momento se establecieron los cimientos de la experiencia tecnológica en la que se basan muchos de los productos punteros en el mundo en el sector de las armas de caza, bicicletas, motocicletas, electrodomésticos, máquinas de coser y productos para exteriores.

Husqvarna es líder internacional en productos motorizados para exteriores destinados a la silvicultura, el mantenimiento de parques y el cuidado del césped y del jardín, así como equipos de corte y herramientas de diamante para el sector de la construcción y la piedra.

## Responsabilidad del usuario

El propietario / empresario es el responsable de asegurarse de que el usuario tiene los conocimientos necesarios para utilizar la máquina con seguridad. Los supervisores y los usuarios deben haber leído y entendido el manual de instrucciones. Deben tener conocimiento de lo siguiente:

- Las instrucciones de seguridad de la máquina.
- Las aplicaciones y las limitaciones de la máquina.
- El modo de uso y de mantenimiento de la máquina.

La utilización de esta máquina podría estar regulada por la legislación nacional vigente. Infórmese sobre la legislación vigente en el lugar donde trabaja antes de empezar a utilizar la máquina.

## Los derechos que se reserva el fabricante.

Toda la información y todos los datos contenidos en este manual de instrucciones son vigentes en la fecha de impresión del manual.

Husqvarna AB trabaja constantemente para perfeccionar sus productos y se reserva, por lo tanto, el derecho a introducir modificaciones en la construcción y el diseño sin previo aviso.

## Características

El alto rendimiento, la fiabilidad, la tecnología innovadora, las soluciones técnicas avanzadas y el respeto medioambiental son los valores que caracterizan a los productos de Husqvarna.

A continuación se describen algunas de las características únicas de su producto.

## Cuchillas de repuesto de dos caras para la espada de refuerzo

Cuando las cortadoras están desgastadas por una cara, puede girarlas 180° para trabajar con un nuevo extremo afilado. Cuando ambas caras estén desgastadas, debe sustituir la cortadora.

## Mordaza ajustable (DCR 100)

La mordaza puede ajustarse para cortar grosores de 31 mm a 430 mm.

## Puntas de repuesto (DCR 300)

Las puntas pueden eliminarse para el trabajo de soldadura o sustituirse si están desgastadas.

## Campo de aplicación



**¡ATENCIÓN! Está prohibido utilizar la herramienta para elevar, empujar, tirar, golpear o transportar cualquier tipo de material.**

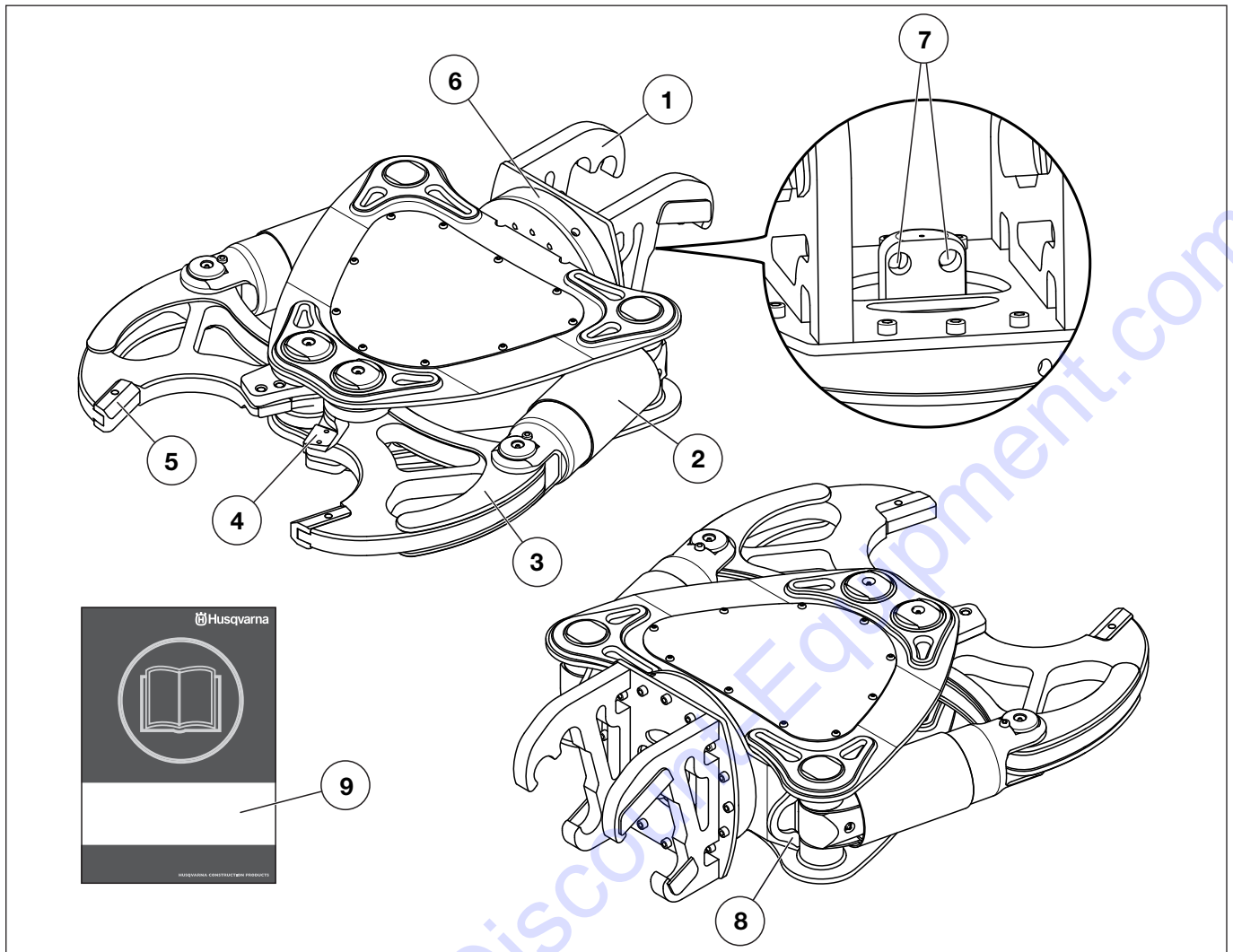
La herramienta, una vez montada en una máquina, está diseñada para derrumbar construcciones de hormigón, como paredes, techos y suelos.

Las herramientas solo se pueden utilizar en las siguientes máquinas:

	DCR 300	DCR 100
DXR 310	X	
DXR 250	X	
DXR 140		X

La máquina está destinada al uso por operadores experimentados, en aplicaciones industriales.

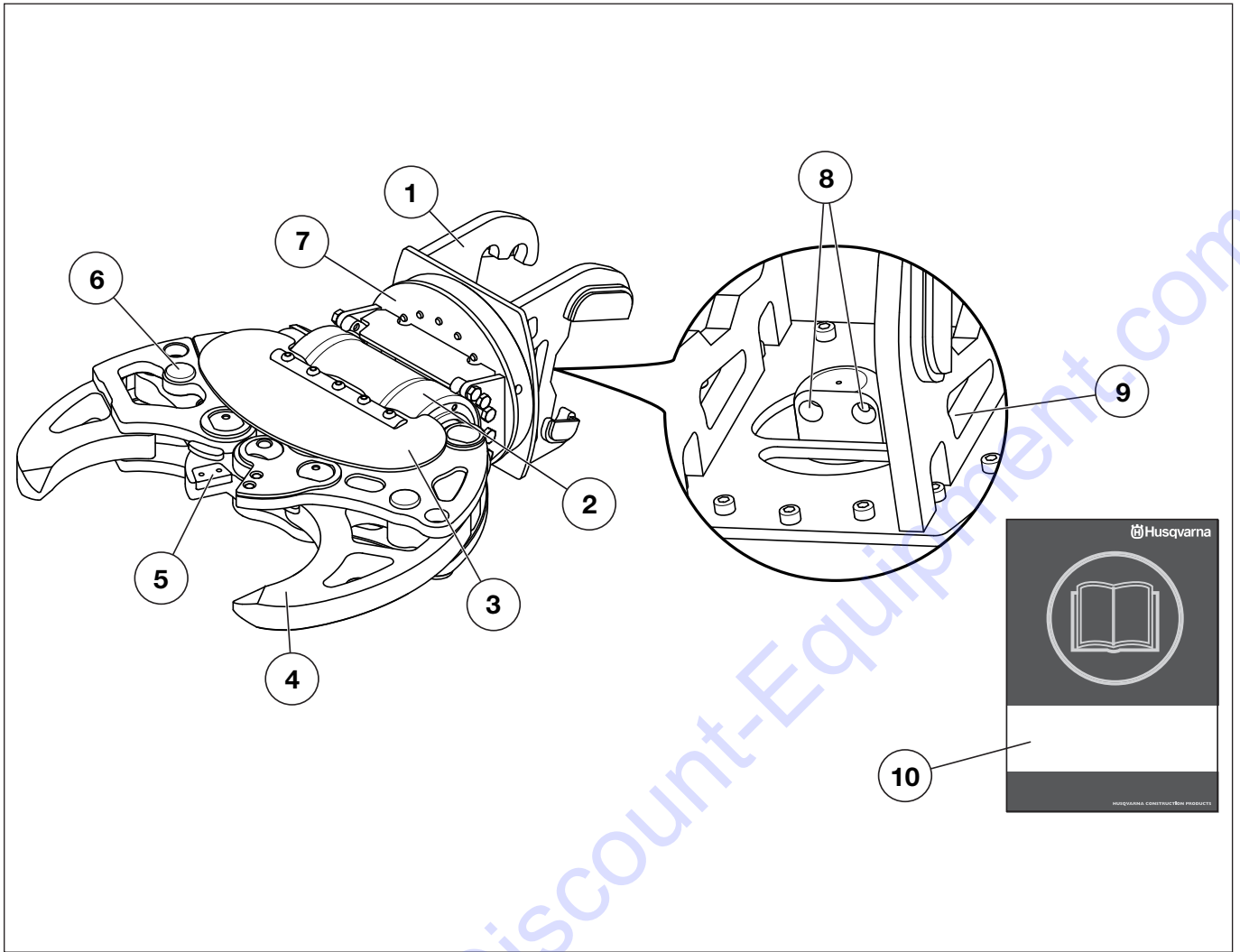
# PRESENTACIÓN



## ¿Qué es qué en la herramienta? (DCR 300)

- |  |                                    |
|--|------------------------------------|
| 1 Acoplamiento de la herramienta       | 6 Cojinetes de rueda libre de 360° |
| 2 Cilindro                             | 7 Conexiones hidráulicas           |
| 3 Mordaza                              | 8 Punto de elevación               |
| 4 Cuchillas para la espada de refuerzo | 9 Manual de instrucciones          |
| 5 Puntas                               |                                    |

# PRESENTACIÓN



## ¿Qué es qué en la herramienta? (DCR 100)

- |  |                                    |
|--|------------------------------------|
| 1 Acoplamiento de la herramienta       | 6 Clavijas de ajuste de la mordaza |
| 2 Cilindro                             | 7 Cojinetes de rueda libre de 360° |
| 3 Pantalla protectora                  | 8 Conexiones hidráulicas           |
| 4 Mordaza                              | 9 Punto de elevación               |
| 5 Cuchillas para la espada de refuerzo | 10 Manual de instrucciones         |



# MONTAJE Y AJUSTES

## Generalidades



**¡ATENCIÓN!** Compruebe que la herramienta se ha montado de forma correcta y segura. Si una herramienta queda suelta puede provocar daños personales.

Asegúrese de que el rendimiento de la herramienta y de la máquina (peso, presión hidráulica, flujo, etc.) son compatibles.

Procure que no entre suciedad en el sistema hidráulico:

- Limpiando la suciedad de los acoplamientos antes del montaje o el desmontaje.
- Colocando protectores de polvo en los acoplamientos hidráulicos de la máquina cuando no haya ninguna herramienta montada.
- Asegurándose de que las mangueras de la herramienta están siempre acopladas cuando la herramienta no está conectada a la máquina.

## Montaje de la herramienta en la máquina

- Consulte el manual de instrucciones de la máquina de demolición.

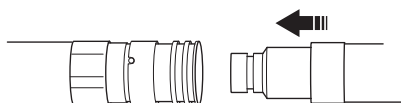
## Conexión de las mangueras hidráulicas



**¡NOTA!** Los acoplamientos de la manguera y el conducto pueden permanecer presurizados aunque el motor esté apagado. El cable de alimentación también puede permanecer desconectado. Tenga siempre en cuenta que las mangueras hidráulicas están presurizadas y ábralas siempre con mucho cuidado. Libere la presión del sistema de brazo colocándolo en el suelo y apague el motor eléctrico antes de desconectar las mangueras. Tenga cuidado cuando desmonte las conexiones y utilice equipos de protección personal apropiados.

Las mangueras hidráulicas están equipadas con acoplamientos de bayoneta con descompresión. Esto facilita el montaje de las mangueras aunque la presión esté retenida.

- Conecte la conexión macho de la herramienta a la conexión hembra de la máquina. La tuerca encajará cuando se haya montado correctamente. Las conexiones se fijan girando el manguito exterior del acoplamiento hembra para apartar la ranura de la bola.



- Conecte la conexión hembra de la herramienta a la conexión macho de la máquina.
- Arranque el motor.
- Abra y cierre la mordaza 5-6 veces.
- Pare el motor. Seleccione la posición «0» del interruptor principal.
- Compruebe que no haya fugas.

## Desacoplar las mangueras hidráulicas

- Abra la mordaza al máximo para bajar totalmente los cilindros hidráulicos.
- Pare el motor.
- Gire el manguito externo hasta que la ranura coincida con la bola y empújela para desconectar la conexión.
- Extraiga la herramienta de la máquina. Consulte el manual de instrucciones de la máquina de demolición.

## Ajuste de la mordaza móvil (DCR 100)

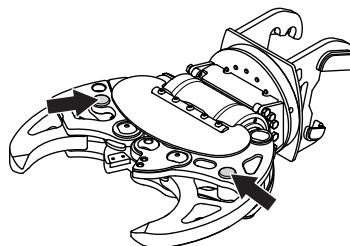


**¡NOTA!** Ajuste siempre la mordaza móvil para que la posición coincida con el eje vertical de la trituradora.

Coloque las clavijas en una de las dos ranuras para ajustar la apertura de la mordaza.

La mordaza puede ajustarse para cortar grosores de 31 mm a 430 mm.

- Afloje las clavijas con la llave de desbloqueo y retírelas.



- Sitúe la mordaza en la posición deseada. Alinee los agujeros e introduzca la clavija.

# FUNCIONAMIENTO

## Equipo de protección

### Generalidades

- No use nunca una máquina si no tiene posibilidad de pedir auxilio si se produce un accidente.

### Equipo de protección personal

Para trabajar con la máquina debe utilizarse un equipo de protección personal homologado. El equipo de protección personal no elimina el riesgo de lesiones, pero reduce su efecto en caso de accidente. Pida a su distribuidor que le asesore en la elección del equipo.



**¡ATENCIÓN!** Cuando la máquina esté en uso puede generar polvo y vapores con productos químicos perniciosos. Averigüe la índole del material de trabajo y utilice una máscara contra polvo o respiratoria adecuada. El uso de una máscara facial es especialmente importante cuando se trabaja en interiores debido a la ventilación limitada. En algunas situaciones también puede ser apropiado aplicar agua para reducir la formación de polvo.

**La exposición prolongada al ruido puede causar daños crónicos en el oído, Por consiguiente, use siempre protectores auriculares homologados. Cuando use protección auditiva preste siempre atención a las señales o llamados de advertencia. Sáquese siempre la protección auditiva inmediatamente después de parar el motor.**

Las sustancias químicas como agentes desengrasantes, lubricantes y líquidos hidráulicos pueden provocar alergias con el contacto repetido con la piel. Utilice equipos de protección para evitar el contacto con la piel.

Cuando la máquina esté en uso puede generar polvo y vapores con productos químicos perniciosos. Averigüe la índole del material de trabajo y utilice una máscara contra polvo o respiratoria adecuada.

El uso de una máscara facial es especialmente importante cuando se trabaja en interiores debido a la ventilación limitada. En algunas situaciones también puede ser apropiado aplicar agua para reducir la formación de polvo.

Utilice siempre:

- Casco protector homologado
- Protectores auriculares
- Protección ocular homologada. Si se utiliza visor, deben utilizarse también gafas protectoras homologadas. Por gafas protectoras homologadas se entienden las que cumplen con la norma ANSI Z87.1 para EE.UU. o EN 166 para países de la UE. El visor debe cumplir con la norma EN 1731.
- Máscara respiratoria
- Guantes resistentes de agarre seguro.
- Prendas de vestir ceñidas, resistentes y cómodas que permitan una libertad de movimientos total.
- Botas con puntera de acero y suela antideslizante.

Tener en cuenta que las ropas, el pelo largo y las joyas pueden atascarse en piezas móviles.

## Otros equipos de protección



**¡NOTA!** Mientras trabaja con la máquina, pueden producirse chispas que podrían ocasionar un incendio. Tenga siempre a mano herramientas para la extinción de incendios.

- Extintor de incendios
- Tenga siempre a mano el equipo de primeros auxilios.
- Utilice un útil de levantamiento apropiado para fijar y elevar partes pesadas de la máquina.

## Instrucciones generales de seguridad



**¡ATENCIÓN!** Lea todas las advertencias e instrucciones de seguridad. No atender a estas advertencias e instrucciones puede provocar descargas eléctricas, incendios y lesiones graves.

Este apartado trata las normas de seguridad básicas para trabajar con el dispositivo. Esta información no sustituye en ningún caso los conocimientos y la experiencia de un profesional.

- Lea detenidamente el manual de instrucciones y asegúrese de entender su contenido antes de utilizar la máquina. **Conserve todas las advertencias e instrucciones para su consulta.**
- Esta máquina se utiliza en combinación con otros productos. Lea detenidamente el manual que se suministra con los productos y asegúrese de que entiende las instrucciones antes de utilizar la máquina.
- Tenga en cuenta que es usted, como usuario, el responsable de no exponer a riesgos o accidentes a las personas y a su propiedad.
- Todos los operadores deben ser formados en el empleo de la máquina. El propietario es responsable de la formación de los operadores.
- La máquina debe mantenerse limpia. Los letreros y las pegatinas deben ser legibles en su totalidad. Cambiar las etiquetas desgastadas o dañadas.



**¡ATENCIÓN!** La máquina, si se utiliza de forma errónea o descuidada, puede ser una herramienta peligrosa que puede causar daños graves e incluso la muerte al usuario y a otras personas.

**No permita bajo ningún concepto el empleo o mantenimiento de la máquina por los niños u otras personas no instruidas en el manejo de la misma. Nunca deje que terceros utilicen la máquina sin asegurarse primero de que hayan entendido el contenido de este manual de instrucciones.**

**Nunca utilice la máquina si está cansado, si ha ingerido alcohol o si toma medicamentos que puedan afectarle la vista, su capacidad de discernimiento o el control del cuerpo.**

# FUNCIONAMIENTO



**¡ATENCIÓN! Las modificaciones y/o el uso de accesorios no autorizados comportan riesgo de daños personales graves y peligro de muerte para el usuario y otras personas.**

**No modifique nunca esta máquina de forma que se desvíe de la versión original, y no la utilice si parece haber sido modificada por otras personas.**

**No utilice nunca una máquina defectuosa. Siga las instrucciones de mantenimiento, control y servicio de este manual. Algunas medidas de mantenimiento y servicio deben ser efectuadas por especialistas formados y cualificados. Vea las instrucciones bajo el título Mantenimiento.**

**Utilizar siempre recambios originales.**

## Emplee siempre el sentido común

Es imposible abarcar todas las situaciones imaginables que se pueden producir al utilizar una taladradora. Proceder siempre con cuidado y emplear el sentido común. Si se encuentra en alguna situación que le haga sentirse inseguro, deténgase y consulte con un experto. Consulte a su distribuidor, al taller de servicio técnico o a un usuario experimentado. No emplee la máquina en aplicaciones para las que no se considere plenamente cualificado.

## Seguridad en el trabajo

### Seguridad en el área de trabajo

#### Zona de riesgo de la máquina

Cuando se realizan los trabajos, no se permite que ninguna persona permanezca en la zona de riesgo de la máquina. Esto también se aplica al operario.

La zona de trabajo está limitada por el alcance de la máquina. Sin embargo, la zona de riesgo varía en función del método de trabajo, el objeto de trabajo, la superficie, etc. Estudie los posibles riesgos antes de iniciar los trabajos. Si las condiciones cambian durante el transcurso de los trabajos, debe redefinir la zona de riesgo.

#### Lugar de trabajo

- Defina y acordone la zona de riesgo. Cuando se realizan los trabajos, no se permite que ninguna persona permanezca en la zona de riesgo de la máquina.
- Controle que la zona de trabajo esté bien iluminada para lograr un entorno seguro.
- La máquina puede controlarse remotamente a largas distancias. No utilice la máquina a menos que tenga una supervisión clara de esta y de la zona de riesgo.
- No empiece a trabajar con la máquina hasta que haya limpiado la zona de trabajo de posibles obstáculos.
- Manténgase alerta cuando trabaje en entornos donde exista un riesgo sustancial de deslizamiento debido a desniveles, materiales sueltos, aceite, hielo o similares.

- Inspeccione las condiciones del suelo, las estructuras que soportan la carga, etc. para impedir la caída de materiales, máquinas y empleados, así como para mitigar cualquier riesgo antes de iniciar los trabajos.
- Cuando trabaje a grandes alturas, como encima de tejados, plataformas o similares, aumente el tamaño de la zona de riesgo. Defina y acordone la zona de riesgo a nivel del suelo y asegúrese de que ningún material puede desprenderse y provocar lesiones.
- No utilice la máquina en entornos donde exista riesgo de explosión. Tenga en cuenta el riesgo de formación de chispas cuando trabaje en entornos inflamables.
- Compruebe y señalice la ruta de los cables de electricidad y los conductos.
- El aire en espacios cerrados puede ser dañino para la salud debido, por ejemplo, a la presencia de polvo y gases. Utilice equipos de protección y compruebe que existe una ventilación suficiente.

## Seguridad personal

- Nunca utilice la máquina si está cansado, si ha ingerido alcohol o si toma medicamentos que puedan afectar la vista, su capacidad de discernimiento o el control del cuerpo.
- Utilice el equipo de protección personal. Vea las instrucciones bajo el título "Equipo de protección personal".
- Una maniobra incorrecta o incidente imprevisible puede provocar un derrumbe. Nunca permanezca debajo del objeto de trabajo.
- Nunca permanezca donde haya riesgo de ser aplastado. La máquina puede cambiar rápidamente de posición. Nunca permanezca debajo de un brazo elevado, incluso si la máquina está apagada.
- Reduzca el riesgo cuando trabaje solo comprobando que es posible emitir una alarma de emergencia a través del teléfono móvil u otro equipo.
- Las personas y los animales pueden distraer y hacer perder el control de la máquina. Por consiguiente, el operador debe estar siempre concentrado en su trabajo. Nunca permita que los niños manejen la máquina.
- Trabaje siempre de modo que pueda acceder fácilmente a la parada de emergencia.

## Seguridad hidráulica

- Riesgo de incendio. El aceite hidráulico, las mangueras y las conexiones pueden alcanzar temperaturas muy elevadas con la herramienta conectada o sin ella. Utilice un equipo de protección personal adecuado.
- Antes de utilizar el sistema hidráulico, espere a que la máquina se haya enfriado.
- Compruebe que todos los acoplamientos y conexiones, y las mangueras hidráulicas están intactos.
- Mantenga limpias de suciedad las mangueras y conexiones hidráulicas.
- No maltrate las mangueras.
- No utilice mangueras torcidas, gastadas o defectuosas.

# FUNCIONAMIENTO

- Asegúrese de que ninguna de las mangueras roza contra bordes afilados. No olvide el riesgo de los chorros abrasivos.
- Ajuste la longitud de las mangueras hidráulicas de forma que nunca queden extendidas por completo.
- Procure que la manguera no esté torcida durante el montaje.
- Evite hacer curvas marcadas con la manguera.
- Compruebe que las mangueras estén conectadas adecuadamente en la herramienta y que las conexiones hidráulicas cierren como es debido antes de presurizar el sistema hidráulico. Las conexiones se fijan girando el manguito exterior del acoplamiento hembra para apartar la ranura de la bola.

Las mangueras de presión del sistema deben conectarse siempre en la entrada de la herramienta. Las mangueras de retorno del sistema deben conectarse siempre en la salida de la herramienta. Si se confunden las conexiones, la herramienta funcionará en sentido inverso, con el riesgo consiguiente de daños personales.

- Asegúrese de que no existen fugas en los conectores de la manguera, los acoplamientos y los cilindros. Una grieta o rotura puede producir una 'inyección de aceite' en el cuerpo o daños personales graves de otro tipo.
- No hacer la búsqueda de fugas con la mano. El contacto con una fuga puede comportar daños personales graves causados por la presión alta del sistema hidráulico.
- No se debe sobrepasar el caudal ni la presión de aceite especificados para las herramientas que se utilizan. Un caudal o presión demasiado altos pueden causar fugas o explosión.

## Utilización con la herramienta montada en la máquina

- Mantenga bajo vigilancia la máquina siempre que el motor esté en marcha.
- Parar siempre la máquina antes de trasladarla.
- Desenchufar siempre el contacto para paradas prolongadas del trabajo.
- Compruebe que todas las juntas, conexiones y cables están intactos y limpios. Si surge una situación de emergencia de cualquier tipo, pulse el botón rojo de parada de emergencia.
- Mantener todas las piezas en perfecto estado y comprobar que todos los elementos de fijación estén bien apretados.
- El usuario sólo puede efectuar los trabajos de mantenimiento y servicio descritos en este manual. Los trabajos de mayor envergadura debe efectuarlos un taller de servicio oficial.
- Utilice equipos de protección personal y dispositivos para fijar mecánicamente los componentes de la máquina durante las tareas de mantenimiento y reparación.
- Si no es necesario encender la máquina para llevar a cabo operaciones de reparación o localización de fallos, desconecte el cable de alimentación y colóquelo de forma que no pueda conectarse por error.

- Los acoplamientos de la manguera y el conducto pueden permanecer presurizados aunque el motor esté apagado. Trabaje siempre teniendo en cuenta que las mangueras tienen presión cuando las desmonte. Tenga cuidado cuando desmonte las conexiones y utilice equipos de protección personal apropiados.
- Utilice un útil de levantamiento apropiado para fijar y elevar partes pesadas de la máquina.
- Diversos componentes se calientan durante los trabajos realizados con la máquina. No inicie ninguna tarea de mantenimiento o reparación hasta que la máquina se haya enfriado.
- Cuando complete los trabajos, opere el brazo para que descansa en el suelo antes de apagar la máquina.

## Transporte y almacenamiento

### Elevación de la herramienta

- Cuando se eleva la herramienta existe un riesgo de provocar daños en las personas o las máquinas colindantes. Defina la zona de riesgo y compruebe que no haya nadie presente en dicha zona cuando realice la elevación.
- Utilice un útil de levantamiento apropiado para fijar y elevar partes pesadas de la máquina.
- El equipo de elevación debe montarse en todos los puntos de elevación de la máquina.

### Fijación de la carga

- Fije la herramienta en un palé y manipúlela con una carretilla elevadora.
- Sujete bien el equipo durante el transporte para evitar daños y accidentes.

### Transporte

- Puede transportar la herramienta montada en la máquina a distancias cortas y a poca velocidad. Repliegue el sistema de brazo. El centro de gravedad debe estar lo más cerca posible del centro de la máquina.
- Retire la herramienta de la máquina para la carga o descarga con rampa.

### Almacenaje

- Extraiga la herramienta de la máquina.
- Almacene las herramientas de forma segura e inaccesible para las personas no autorizadas. Compruebe que se encuentran en una posición estable y no pueden volcar. Si las herramientas se colocan a gran altura o sobre una pendiente, debe sujetarlas para que no puedan moverse ni caerse. Proteja los acoplamientos hidráulicos de las herramientas de la suciedad y posibles daños.
- Almacene la cortadora en lugar seguro fuera del alcance de los niños y personas no calificadas para su uso.
- Guarde la máquina y el equipo en un lugar seco y protegido de la escarcha.

# MANTENIMIENTO

## Generalidades



**¡ATENCIÓN!** El usuario sólo puede efectuar los trabajos de mantenimiento y servicio descritos en este manual. Los trabajos de mayor envergadura debe efectuarlos un taller de servicio oficial.

Todos los procedimientos descritos en este apartado deben realizarse con la herramienta desmontada y en el suelo.

Utilice equipos de protección personal y dispositivos para fijar mecánicamente los componentes de la máquina durante las tareas de mantenimiento y reparación.

La vida útil de la máquina puede acortarse y el riesgo de accidentes puede aumentar si el mantenimiento de la máquina no se hace de forma adecuada y si los trabajos de servicio y/o reparación no se efectúan de forma profesional. Para más información, consulte con el taller de servicio oficial más cercano.

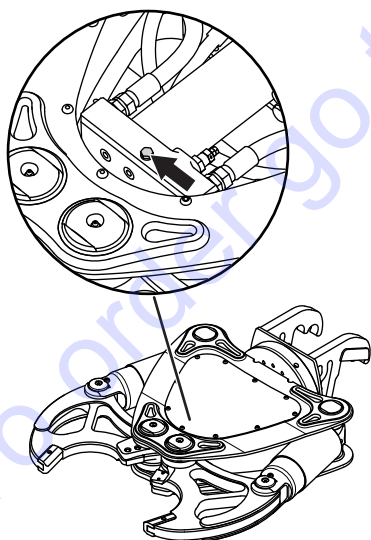
- Encargue al distribuidor de Husqvarna la revisión regular de la cortadora y los ajustes y reparaciones necesarios.

## DCR 300



**¡NOTA!** Antes de utilizarla, debe descargar la presión hidráulica residual.

- Abra la mordaza al máximo para bajar totalmente los cilindros hidráulicos.
- Retire el tornillo para descargar la presión hidráulica residual.



## Programa de mantenimiento

En el programa de mantenimiento podrá ver qué piezas de la máquina requieren mantenimiento y cada cuánto tiempo deberá realizarse. Los intervalos se calculan en función del uso diario de la máquina y pueden depender de la velocidad de uso.

Mantenimiento diario	Mantenimiento semanal
Limpieza	Mordaza
Inspección general	
Cuchillas para la espada de refuerzo	
Lubricación	

## Limpieza

- Límpielos con un trapo o un cepillo.
- Puede limpiar en profundidad la herramienta con agua y detergente.

## Inspección general

- Compruebe que no esté dañada ni desgastada.
- Compruebe que todos los acoplamientos y conexiones, y las mangueras hidráulicas están intactos. Cámbielas si es necesario.
- Compruebe con una llave dinamométrica que los pernos que sujetan las cuchillas de corte estén apretados.

## Cuchillas para la espada de refuerzo

- Cuando las cortadoras están desgastadas por una cara, puede girarlas 180° para trabajar con un nuevo extremo afilado. Cuando ambas caras estén desgastadas, debe sustituir la cortadora. Utilice siempre piezas de repuesto originales.
- Compruebe las cuchillas. No utilice las cuchillas si están agrietadas o dañadas.

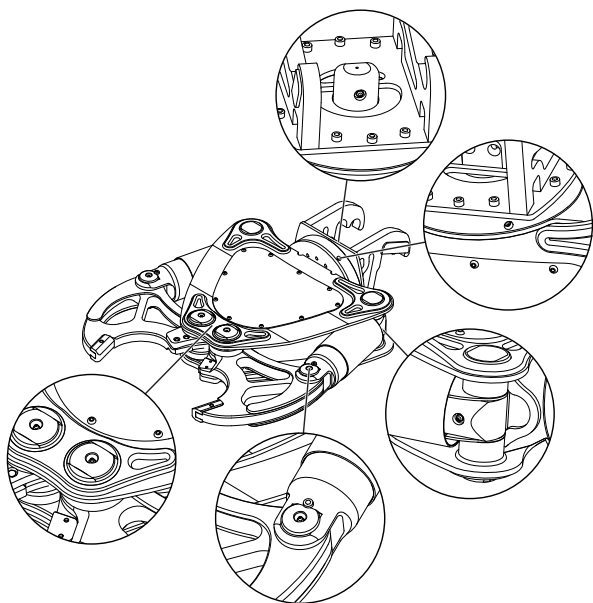
**AVISO** Las cuchillas en mal estado pueden estropear la herramienta. No utilice las cuchillas si están agrietadas o dañadas.

## Lubricación

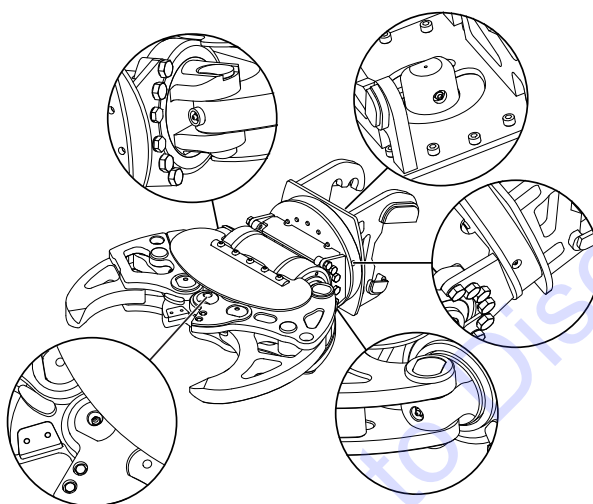
Los puntos de engrase se indican con un círculo rojo. Sustituya los racores dañados.

# MANTENIMIENTO

## DCR 300



## DCR 100



## Mordaza



**¡NOTA! El montaje y desmontaje de los pivotes principales de la mordaza deben realizarse en un taller de servicio autorizado.**

Compruebe si las superficies de aplastamiento de la mordaza están desgastadas y añada material de relleno si es necesario.

- Antes de añadir el material de relleno, elimine todos los restos de pintura, pues podrían originar gases tóxicos.
- Precaliente la superficie a 150-200 °C.
- Tras añadir el material de relleno, deje que se enfríe lentamente a temperatura ambiente.

## Alambre de soldadura recomendado

- ESAB OK 83.30 DIN 8555-E1 300
- ESAB OK 83.50 DIN 8555-E6-55
- SIEV-FRO B-500
- SIEV-FRO B-600

## Puntas de repuesto (DCR 300)

Las puntas pueden eliminarse para el trabajo de soldadura o sustituirse si están desgastadas.

## Almacenamiento prolongado

Antes del almacenaje prolongado, limpie bien la máquina y haga el servicio completo.

## Producto desgastado

Esta máquina cumple los requisitos previos para durar muchos años. De esta forma, se minimiza el impacto medioambiental de la máquina. Realice las tareas de reparación y mantenimiento siguiendo las instrucciones de este manual. De esta forma, la máquina durará más tiempo y se minimizarán las emisiones peligrosas.

Cuando la máquina esté desgastada, deberá desecharse para su reciclado o desguace.

Cumpla la normativa local de reciclaje y eliminación.

## Tabla de localización de fallos



**¡ATENCIÓN!** La mayoría de accidentes con máquinas se producen durante la localización de fallos, reparación y mantenimiento, ya que el personal tiene que localizar por sí mismo la zona de riesgo de la máquina. Evite los accidentes estando alerta y planificando y preparando los trabajos con antelación.

Si no es necesario encender la máquina para llevar a cabo operaciones de reparación o localización de fallos, desconecte el cable de alimentación y colóquelo de forma que no pueda conectarse por error.

Problema	Causa	Posible acción
Rendimiento reducido	Flujo hidráulico o presión hidráulica insuficiente.	Asegúrese de que todas las mangueras hidráulicas y todas las conexiones estén intactas y correctamente conectadas.
		Error en el sistema hidráulico.*
Vibraciones	Faltan tornillos y pernos o estos están sueltos.	Compruebe el par de apriete de los pernos y los tornillos. Sustituya los tornillos que faltan.*
La trituradora no se abre o se cierra.	Falta flujo hidráulico o presión hidráulica.	Error en el sistema hidráulico.*
El funcionamiento de las tijeras está invertido.	Inversión de la manguera de entrada y de retorno.	Conecte la manguera de entrada a la toma de la herramienta y la manguera de retorno a la salida de la herramienta.
Fuga de aceite	Conexiones sueltas.	Apriete las conexiones.
	Mangueras o acoplamientos dañados.*	Sustituya las mangueras o acoplamientos dañados.*

\*Lo realiza un taller oficial.

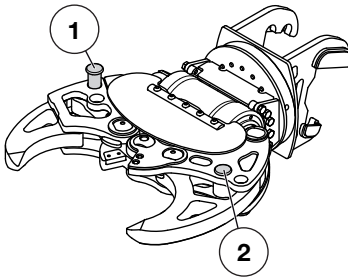
# DATOS TECNICOS

## Datos técnicos

	DCR 300	DCR 100
Peso con la placa de conexión y mangueras, kg (lb)	274 (604)	192 (432)
Soporte adecuado	DXR 310 / DXR 250	DXR 140
<b>Sistema hidráulico</b>		
Presión de entrada máx., bar (psi)	200 (2900)	200 (2900)
Presión de funcionamiento, bar (psi)	500 (7250)	200 (2900)
Max. flow, l/min (gal/min)	100 (26)	55 (15)
<b>Dimensiones</b>		
Altura con placa de conexión, mm (pulgadas)	1125 (44 1/4)	1000 (39 1/2)
Anchura, mm (pulg.)	883 (34 3/4)	730 (28 3/4)
Profundidad, mm (pulgadas)	330 (13)	330 (13)
Distancia máx. entre las puntas, mm (pulgadas)	430 (17)	425 (16 3/4) <sup>1</sup>
Distancia mín. entre las puntas, mm (pulgadas)	25 (1)	25 (1) <sup>2</sup>
Ángulo de rotación	Rotación libre de 360°	Rotación libre de 360°

<sup>1</sup>Clavijas en posición externa (1).

<sup>2</sup>Clavijas en posición interna (2).



## Rendimiento

### DCR 300

Profundidad de la mordaza, mm (pulgadas)	195 (7 3/4)
Tiempo de cierre (capacidad 65 l/min), s	2,8
Tiempo de apertura (capacidad 65 l/min), s	1,9
Potencia máxima en las puntas (en posición de apertura máx., inicio de aplastamiento), kN (t)	440 (45)
Potencia de corte máx. de la varilla, kN (t)	1400 (143)
Diámetro de corte máx. de la varilla, mm (pulgadas)	30 (1 1/8)

### DCR 100

Profundidad de la mordaza, mm (pulgadas)	185 (7 2/8)
Tiempo de cierre (capacidad 52 l/min), s	3,7
Tiempo de apertura (capacidad 52 l/min), s	2,0
Potencia máxima en las puntas (en posición de apertura máx., inicio de aplastamiento), kN (t)	335 (34) <sup>1</sup> / 317 (32) <sup>2</sup>
Potencia máxima en las puntas (en posición de apertura mín., fin de aplastamiento), kN (t)	155 (16) <sup>1</sup> / 159 (16) <sup>2</sup>
Potencia de corte máx. de la varilla, kN (t)	920 (94)
Diámetro de corte máx. de la varilla, mm (pulgadas)	28 (1 1/8)

<sup>1</sup>Clavijas en posición externa (1).

<sup>2</sup>Clavijas en posición interna (2).



To order go to [Discount-Equipment.com](http://Discount-Equipment.com)

**US Original instructions  
FR Instructions d'origine  
ES Instrucciones originales**

**1154310-95**



**2011-07-02**

**TO PURCHASE THIS PRODUCT PLEASE CONTACT US**



**Equipment Financing and  
Extended Warranties Available**



**Discount-Equipment.com is your online resource for  
commercial and industrial quality parts and equipment sales.**

**561-964-4949**

**visit us on line @ [www.discount-equipment.com](http://www.discount-equipment.com)**

Select an option below to find your Equipment

**Search by Manufacturer**

**Search by Product Type**

**Request a Quote**

We sell worldwide for the brands: Genie, Terex, JLG, MultiQuip, Mikasa, Essick, Whiteman, Mayco, Toro Stone, Diamond Products, Generac Magnum, Airman, Haulotte, Barreto, Power Blanket, Nifty Lift, Atlas Copco, Chicago Pneumatic, Allmand, Miller Curber, Skyjack, Lull, Skytrak, Tsurumi, Husquvarna Target, Stow, Wacker, Sakai, Mi-T-M, Sullair, Basic, Dynapac, MBW, Weber, Bartell, Bennar Newman, Haulotte, Ditch Runner, Menegotti, Morrison, Contec, Buddy, Crown, Edco, Wyco, Bomag, Laymor, EZ Trench, Bil-Jax, F.S. Curtis, Gehl Pavers, Heli, Honda, ICS/PowerGrit, IHI, Partner, Imer, Clipper, MMD, Koshin, Rice, CH&E, General Equipment, Amida, Coleman, NAC, Gradall, Square Shooter, Kent, Stanley, Tamco, Toku, Hatz, Kohler, Robin, Wisconsin, Northrock, Oztec, Toker TK, Rol-Air, APT, Wylie, Ingersoll Rand / Doosan, Innovatech, Con X, Ammann, Mecalac, Makinex, Smith Surface Prep, Small Line, Wanco, Yanmar