



SPARE PARTS LIST

BEAMS & SCREEDS

BT 90, 967941102, 967941103,
967941108, 967941104, 967941116,
967941105, 967941106, 967941107,
967941109, 967941110, 967941111,
2019-09



Go to Discount-Equipment.com to order your parts

PARTS FINDER

**Search Website
by Part Number**



**Search Manual
Library For Parts
Manual & Lookup Part
Numbers – Purchase
or Request Quote**

Search Manuals

Enter your information to help us find the right parts manual for your machine.

* Brand:

* Model:

* Serial:

* Part Number:

SEARCH

**Can't Find Part or
Manual? Request Help
by Manufacturer,
Model & Description**

Parts Order Form

Please fill in the following information to help us find the right part for your machine.

MANUFACTURER:

MODEL:

DESCRIPTION:

DATE:

NAME:

PHONE:

EMAIL:

ADDRESS:

CITY:

STATE:

ZIP:

REQUEST QUOTE

Discount-Equipment.com is your online resource for quality parts & equipment.

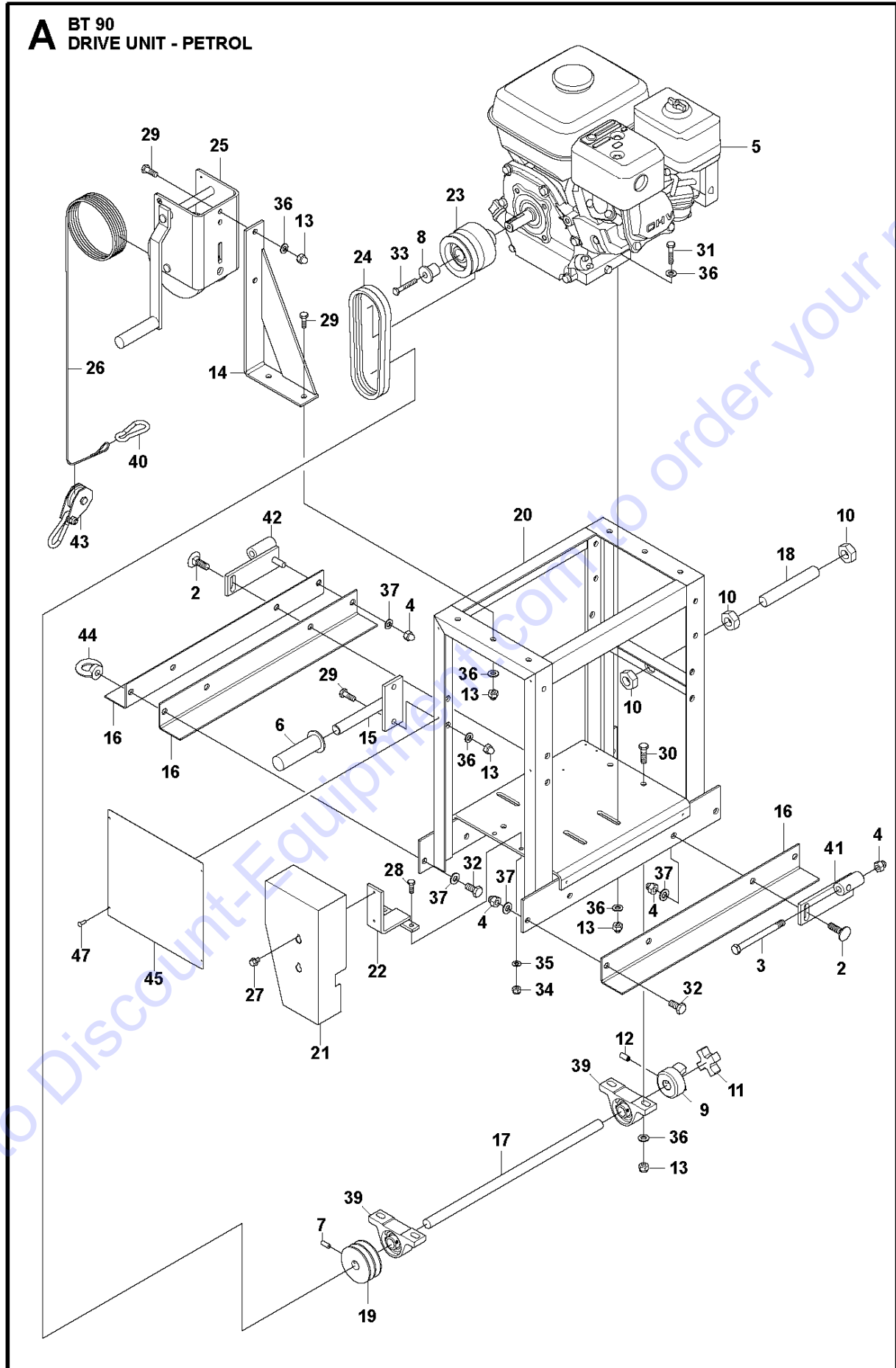
Florida: **561-964-4949** Outside Florida TOLL FREE: **877-690-3101**

Need parts?

Click on this link: <http://www.discount-equipment.com/category/5443-parts/> and choose one of the options to help get the right parts and equipment you are looking for. Please have the machine model and serial number available in order to help us get you the correct parts. If you don't find the part on the website or on one of the online manuals, please fill out the request form and one of our experienced staff members will get back to you with a quote for the right part that your machine needs.

We sell worldwide for the brands: Genie, Terex, JLG, MultiQuip, Mikasa, Essick, Whiteman, Mayco, Toro Stone, Diamond Products, Generac Magnum, Airman, Haulotte, Barreto, Power Blanket, Nifty Lift, Atlas Copco, Chicago Pneumatic, Allmand, Miller Curber, Skyjack, Lull, Skytrak, Tsurumi, Husquvarna Target, Stow, Wacker, Sakai, Mi-T-M, Sullair, Basic, Dynapac, MBW, Weber, Bartell, Bennar Newman, Haulotte, Ditch Runner, Menegotti, Morrison, Contec, Buddy, Crown, Edco, Wyco, Bomag, Laymor, EZ Trench, Bil-Jax, F.S. Curtis, Gehl Pavers, Heli, Honda, ICS/PowerGrit, IHI, Partner, Imer, Clipper, MMD, Koshin, Rice, CH&E, General Equipment, Amida, Coleman, NAC, Gradall, Square Shooter, Kent, Stanley, Tamco, Toku, Hatz, Kohler, Robin, Wisconsin, Northrock, Oztec, Toker TK, Rol-Air, APT, Wylie, Ingersoll Rand / Doosan, Innovatech, Con X, Ammann, Mecalac, Makinex, Smith Surface Prep, Small Line, Wanco, Yanmar

A BT 90
DRIVE UNIT - PETROL

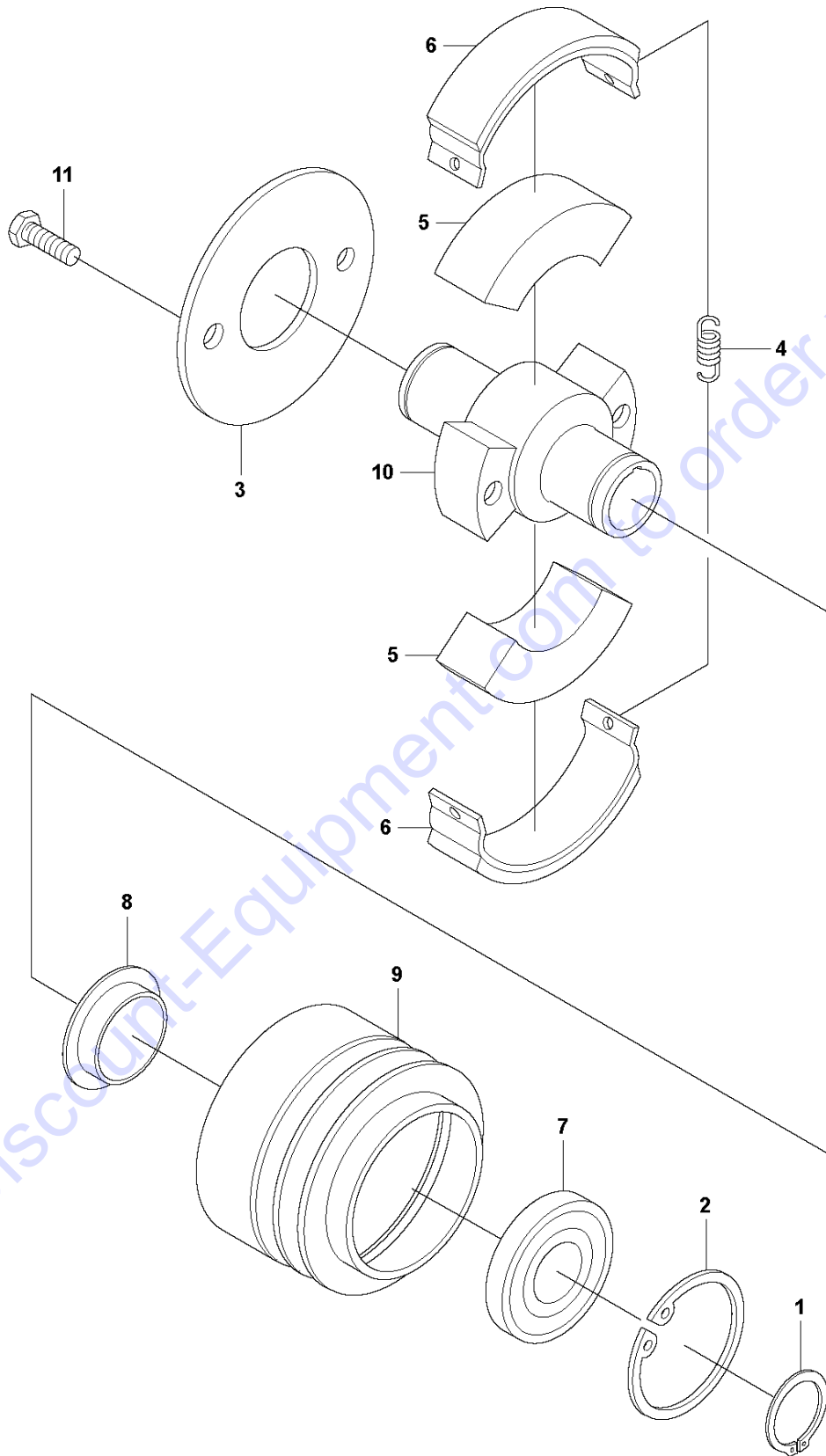


DRIVE UNIT - PETROL BT 90, 967941102, 967941103, 967941108, 967941104, 967941116,
967941105, 967941106, 967941107, 967941109, 967941110, 967941111, 2019-09

Ref	Part No	Description	Remark	QTY KIT
2	596 07 11-01	SCREW	M12x35 DIN603 8.8 A3K	2
3	594 28 58-01	SCREW	M12x130 ISO4014 8.8 A3K	1
4	594 28 76-01	NUT	M12 DIN986 FZB	8
5	594 35 23-01	ENGINE	Honda GX270 UT2 SWS4 SD NH1	1
6	594 37 90-01	HANDLE		2
7	594 38 06-01	SCREW	M8x20 ISO4029 45H	2
8	594 61 89-01	WASHER		1
9	594 39 19-01	COUPLING		1
10	594 39 22-01	NUT	M24x2 DIN439B	3
11	594 39 23-01	CROSSBAR		1
12	594 39 27-01	SCREW	M10x20 ISO4029 45H	1
13	594 39 28-01	NUT	M10 DIN986 FZB	16
15	595 16 39-01	HANDLE		2
16	594 39 36-01	BAR		3
17	594 39 37-01	SHAFT		1
18	595 16 40-01	SCREW		1
19	594 39 38-01	PULLEY		1
21	598 20 26-01	BELT GUARD		1
22	595 46 07-01	HOLDER		1
23	594 62 50-01	CLUTCH		1
24	594 39 40-01	V-BELT		2
25	594 39 41-01	AXLE		1
26	594 39 48-01	CABLE		1
28	595 46 58-01	SCREW	M8x22 ISO4017 8.8 A3K	2
29	595 07 11-01	SCREW	M10x25 ISO4017 8.8 A3K	8
30	594 11 86-01	SCREW	M10x35 ISO4017 8.8 A3K	4
31	595 05 46-01	SCREW	M10x40 ISO4014 8.8 A3K	4
32	595 34 53-01	SCREW	M12x25 ISO4017 8.8 A3K	4
33	595 28 71-01	SCREW	M8x50 ISO4014 8.8 A2K	1
34	595 35 23-01	NUT	M8 ISO7040 8 A2K	2
35	595 03 66-01	WASHER	M8 ISO7089 200HV A2K	2
36	595 11 33-01	WASHER	M10 ISO7089 200HV A2K	20
37	595 11 34-01	WASHER	M12 ISO7089 200HV A2K	8
39	594 68 10-01	BEARING	UCP204	2
40	594 49 80-01	HOOK		1
41	594 68 90-01	PLATE		1
42	594 68 91-01	PLATE		1
43	594 69 65-01	SHACKLE		1
44	595 46 08-01	NUT		1
45	595 27 70-01	COVER		1
47	595 44 93-01	RIVET	3.2x9	4

Go to Discount Equipment.com to order your parts

B BT 90
CENTRIFUGAL CLUTCH

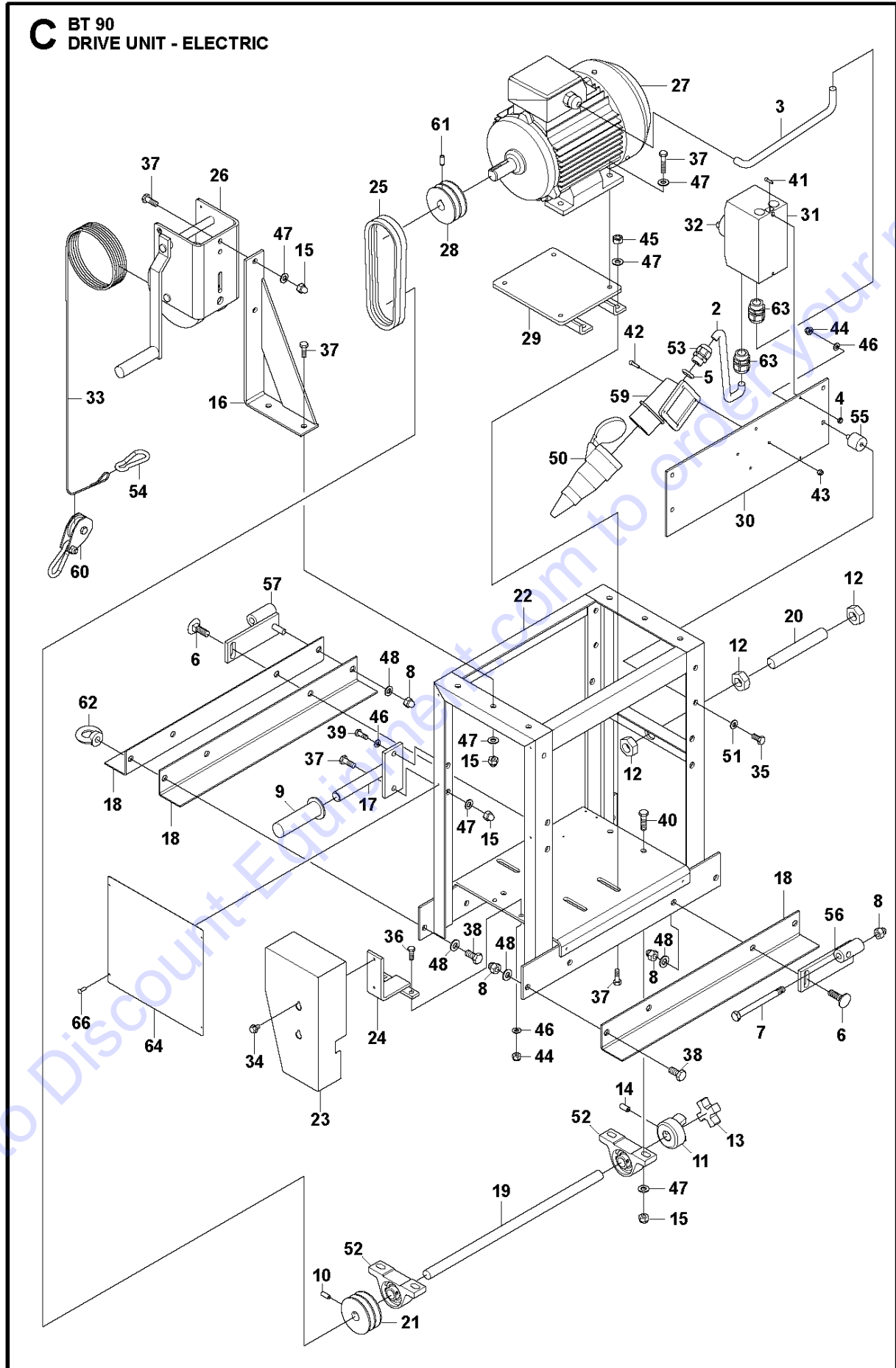


CENTRIFUGAL CLUTCH BT 90, 967941102, 967941103, 967941108, 967941104, 967941116,
967941105, 967941106, 967941107, 967941109, 967941110, 967941111, 2019-09

Ref	Part No	Description	Remark	QTY KIT
1	595 11 40-01	SNAP RING	D35x1.5 DIN471	1
2	595 14 50-01	SNAP RING	D62x2 DIN472	1
3	595 16 20-01	FLANGE		1
4	594 37 22-01	SPRING		2
5	594 37 23-01	WEIGHT		2
6	594 37 24-01	LINING		2
7	597 29 12-01	BALL BEARING	6007 2RS	1
8	595 16 41-01	SPACER		1
9	595 16 42-01	CLUTCH		1
10	595 47 42-01	AXLE		1
11	595 34 78-01	SOCKET	M6x10 DIN912 8.8 FZB	2

Go to Discount-Equipment.com to order your parts

C BT 90
DRIVE UNIT - ELECTRIC

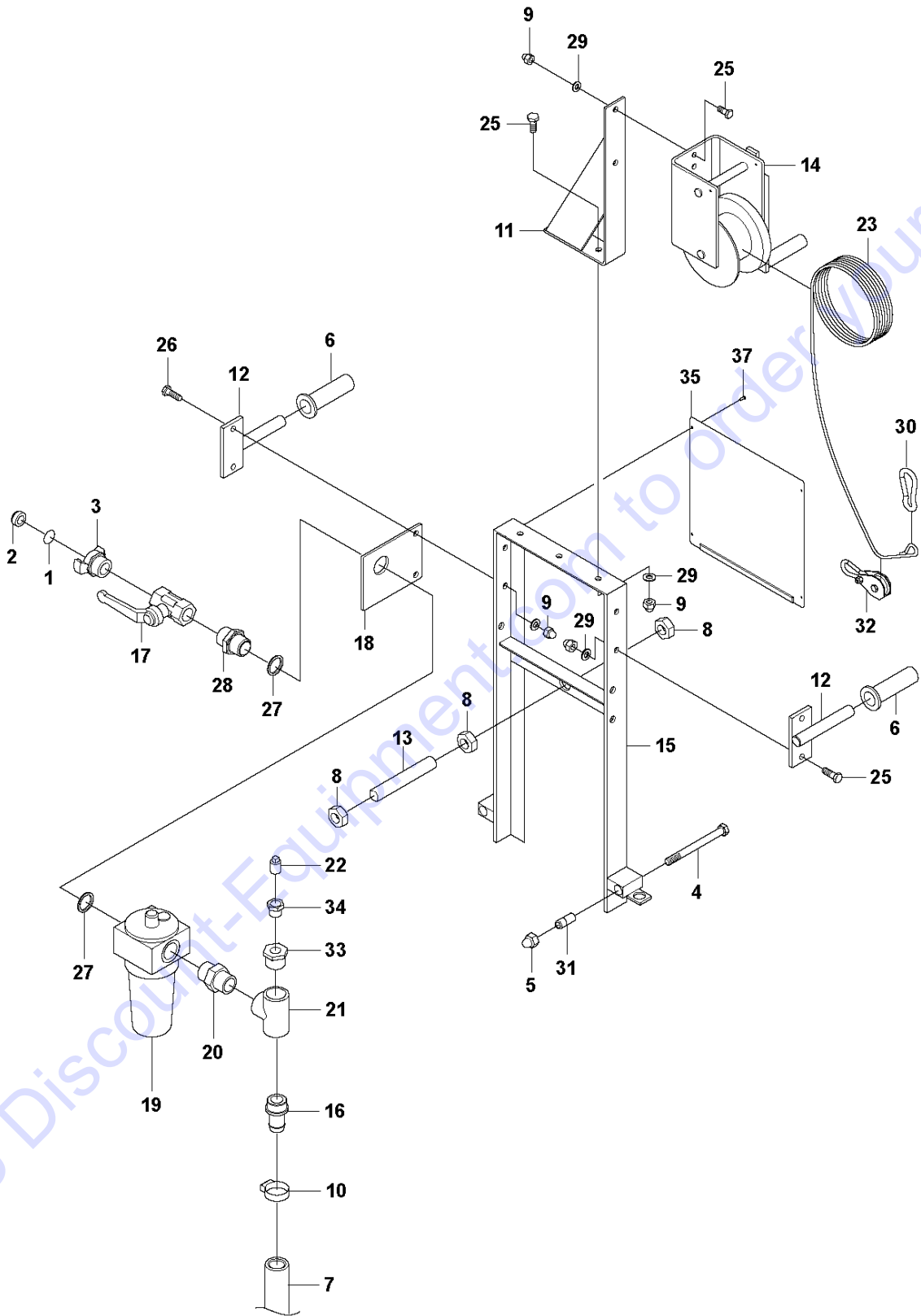


DRIVE UNIT - ELECTRIC BT 90, 967941102, 967941103, 967941108, 967941104, 967941116, 967941105, 967941106, 967941107, 967941109, 967941110, 967941111, 2019-09

Ref	Part No	Description	Remark	QTY KIT
2	594 83 78-03	CABLE	0.65 m	1
3	594 83 78-04	CABLE	0.5 m	1
4	595 06 92-01	LOCK NUT	M4 ISO10511 8 FZB	2
5	598 04 01-01	NUT	M16	1
6	596 07 11-01	SCREW	M12x35 DIN603 8.8 A3K	2
7	594 28 58-01	SCREW	M12x130 ISO4014 8.8 A3K	1
8	594 28 76-01	NUT	M12 DIN986 FZB	8
9	594 37 90-01	HANDLE		2
10	594 38 06-01	SCREW	M8x20 ISO4029 45H	2
11	594 39 19-01	COUPLING		1
12	594 39 22-01	NUT	M24x2 DIN439B	3
13	594 39 23-01	CROSSBAR		1
14	594 39 27-01	SCREW	M10x20 ISO4029 45H	1
15	594 39 28-01	NUT	M10 DIN986 FZB	10
17	595 16 39-01	HANDLE		2
18	594 39 36-01	BAR		3
19	594 39 37-01	SHAFT		1
20	595 16 40-01	SCREW		1
21	594 39 38-01	PULLEY		1
23	597 16 11-01	BELT GUARD		1
24	595 46 07-01	HOLDER		1
25	594 39 40-01	V-BELT		2
26	594 39 41-01	AXLE		1
27	597 16 08-01	MOTOR		1
28	595 16 44-01	PULLEY		1
29	597 16 09-01	HOLDER		1
30	598 20 03-01	HOLDER		1
31	594 39 42-01	BOX		1
32	594 39 43-01	CIRCUIT BREAKER		1
33	594 39 48-01	CABLE		1
35	595 11 01-01	SCREW	M8x16 ISO4017 8.8 A3K	2
36	595 46 58-01	SCREW	M8x22 ISO4017 8.8 A3K	2
37	595 07 11-01	SCREW	M10x25 ISO4017 8.8 A3K	14
38	595 34 53-01	SCREW	M12x25 ISO4017 8.8 A3K	4
39	594 11 79-01	SCREW	M8x20 ISO4017 8.8 A3K	2
40	594 11 86-01	SCREW	M10x35 ISO4017 8.8 A3K	4
41	595 99 20-01	SCREW	M4x16 ISO1207 4.8 A2K	2
42	594 50 04-01	SCREW	M5x20 ISO1207 4.8 A2K	4
43	595 35 22-01	LOCK NUT	M5 ISO7040 8 A2K	4
44	595 35 23-01	NUT	M8 ISO7040 8 A2K	6
45	594 12 29-01	LOCK NUT	M10 ISO10511 8 FZB	4
46	595 03 66-01	WASHER	M8 ISO7089 200HV A2K	6
47	595 11 33-01	WASHER	M10 ISO7089 200HV A2K	18
48	595 11 34-01	WASHER	M12 ISO7089 200HV A2K	8
50	594 60 03-01	PLUG		1
51	595 11 36-01	WASHER	M8 DIN6796 FZB	4
52	594 68 10-01	BEARING	UCP204	2
53	596 00 73-01	BOX		1
54	594 49 80-01	HOOK		1
55	594 68 25-01	ABSORBER		4
56	594 68 90-01	PLATE		1
57	594 68 91-01	PLATE		1
59	594 69 25-01	PLUG		1
60	594 69 65-01	SHACKLE		1
61	598 64 06-01	SCREW	M8x16 ISO4029 45H	1
62	595 46 08-01	NUT	M12 DIN582	1
63	595 46 24-01	BOX		2
64	595 27 70-01	COVER		1
66	595 44 93-01	RIVET	3.2x9	4

Go to Discounted Equipment.com to order your parts

D BT 90
DRIVE UNIT - PNEUMATIC

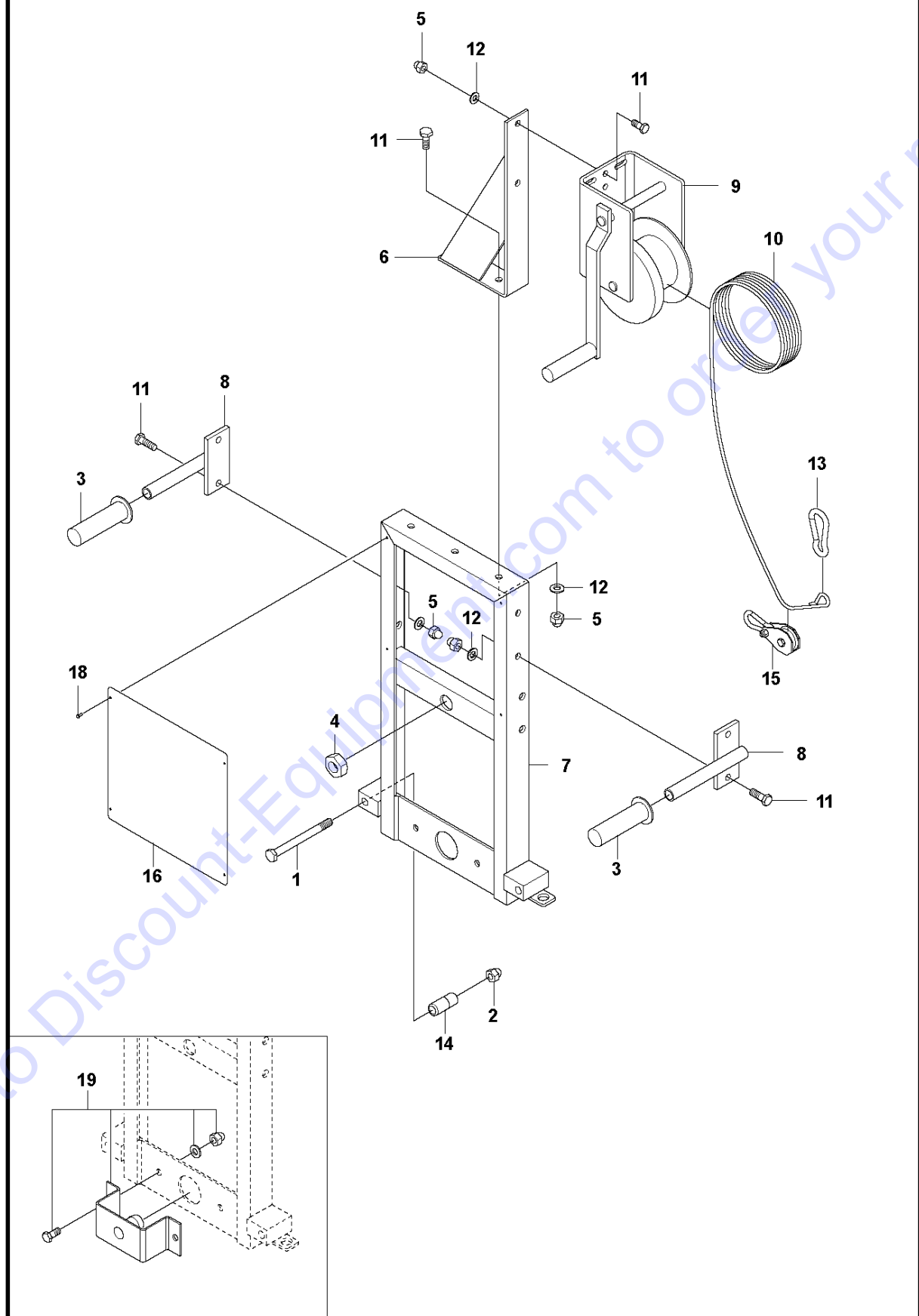


DRIVE UNIT - PNEUMATIC BT 90, 967941102, 967941103, 967941108, 967941104, 967941116, 967941105, 967941106, 967941107, 967941109, 967941110, 967941111, 2019-09

Ref	Part No	Description	Remark	QTY KIT
1	594 25 37-01	FILTER		1
2	594 25 39-01	SEAL		1
3	594 25 53-01	COUPLING		1
4	594 28 58-01	SCREW	M12x130 ISO4014 8.8 A3K	1
5	594 28 76-01	NUT	M12 DIN986 FZB	1
6	594 37 90-01	HANDLE		2
7	594 38 84-07	HOSE		1
8	594 39 22-01	NUT	M24x2 DIN439B	3
9	594 39 28-01	NUT	M10 DIN986 FZB	8
10	594 81 78-01	CLAMP		2
12	595 16 39-01	HANDLE		2
13	595 16 40-01	SCREW		1
14	594 39 41-01	AXLE		1
15	595 19 72-01	FRAME		1
16	595 16 46-01	NIPPLE		1
17	594 39 44-01	VALVE		1
18	594 42 42-01	HOLDER		1
19	594 42 41-01	LUBRICATION NIPPLE		1
20	594 39 45-01	ADAPTER		1
21	595 16 47-01	ADAPTER		1
22	595 16 48-01	PLUG		1
23	594 39 48-01	CABLE		1
25	595 07 11-01	SCREW	M10x25 ISO4017 8.8 A3K	6
26	594 11 85-01	BOLT	M10x30 ISO4017 8.8 A3K	2
27	595 28 91-01	O-RING	29.82 x 2.62 NBR 70 shore	2
28	594 42 43-01	ADAPTER		1
29	595 11 33-01	WASHER	M10 ISO7089 200HV A2K	8
30	594 49 80-01	HOOK		1
31	595 20 31-01	SLEEVE		1
32	594 69 65-01	SHACKLE		1
33	598 25 52-01	NIPPLE		1
34	598 25 53-01	NIPPLE		1
35	595 27 70-01	COVER		1
37	595 44 93-01	RIVET	3.2x9	4

Go to Discount-Equipment.com to order your parts

E BT 90
FREE END SECTION

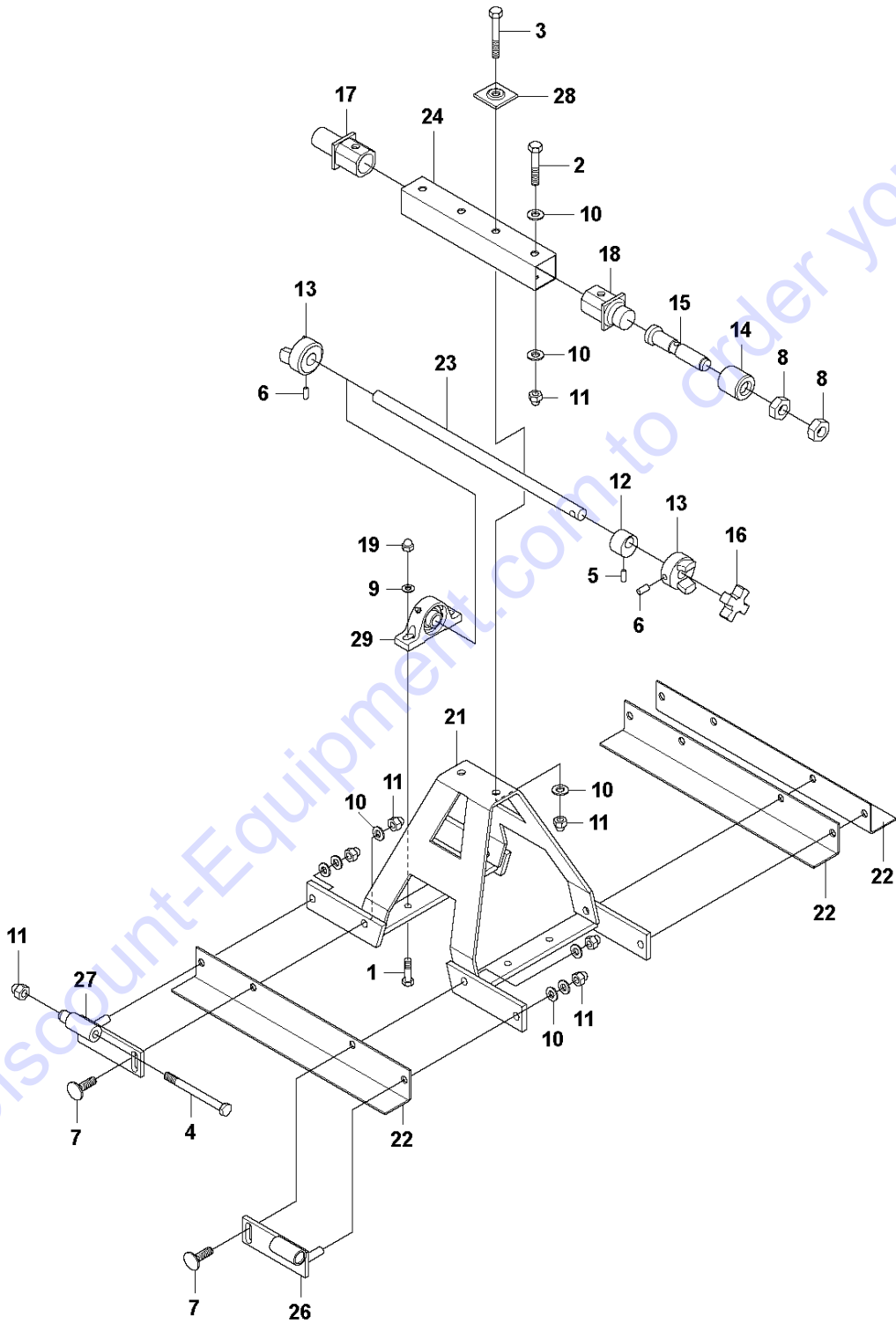


FREE END SECTION BT 90, 967941102, 967941103, 967941108, 967941104, 967941116,
967941105, 967941106, 967941107, 967941109, 967941110, 967941111, 2019-09

Ref	Part No	Description	Remark	QTY KIT
1	594 28 58-01	SCREW	M12x130 ISO4014 8.8 A3K	1
2	594 28 76-01	NUT	M12 DIN986 FZB	1
3	594 37 90-01	HANDLE		2
4	594 39 22-01	NUT	M24x2 DIN439B	1
5	594 39 28-01	NUT	M10 DIN986 FZB	8
7	598 76 86-01	FRAME		1
8	595 16 39-01	HANDLE		2
9	594 39 35-01	AXLE		1
10	594 39 48-01	CABLE		1
11	595 07 11-01	SCREW	M10x25 ISO4017 8.8 A3K	8
12	595 11 33-01	WASHER	M10 ISO7089 200HV A2K	8
13	594 49 80-01	HOOK		1
14	595 20 31-01	SLEEVE		2
15	594 69 65-01	SHACKLE		1
16	595 27 70-01	COVER		1
18	595 44 93-01	RIVET	3.2x9	4
19	595 16 66-01	PLUG	Pneumatic units only	1

Go to Discount-Equipment.com to order your parts

F BT 90
SCREED SECTIONS 0.5M - ELECTRIC / PETROL

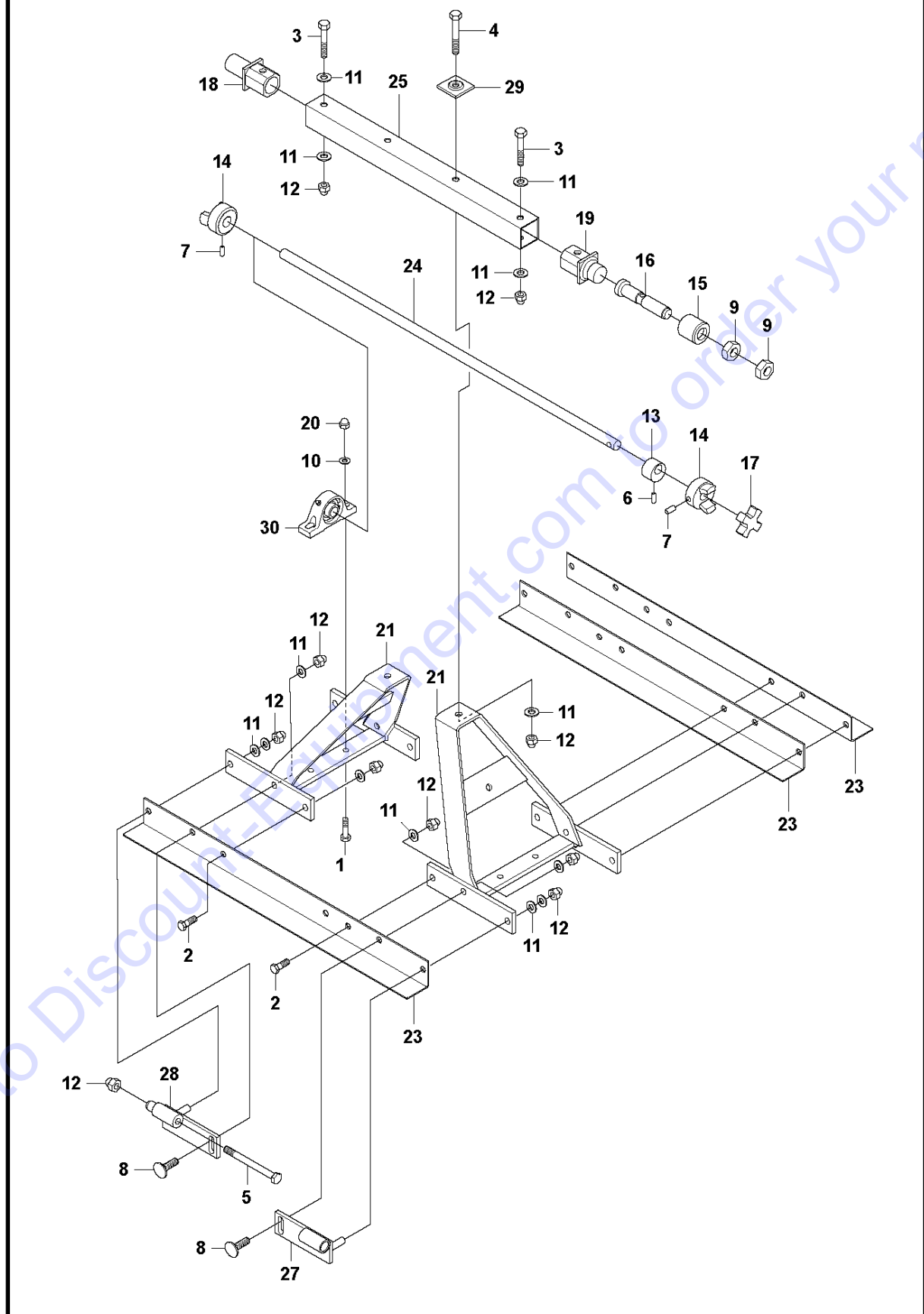


SCREED SECTIONS 0.5M - ELECTRIC / PETROL BT 90, 967941102, 967941103, 967941108, 967941104, 967941116, 967941105, 967941106, 967941107, 967941109, 967941110, 967941111,

Ref	Part No	Description	Remark	QTY KIT
1	595 05 46-01	SCREW	M10x40 ISO4014 8.8 A3K	4
2	595 88 76-01	SCREW	M12x70 ISO4014 8.8 A3K	2
3	595 34 55-01	SCREW	M12x80 ISO4014 8.8 A3K	2
4	594 28 58-01	SCREW	M12x130 ISO4014 8.8 A3K	2
5	594 38 06-01	SCREW	M8x20 ISO4029 45H	3
6	594 39 27-01	SCREW	M10x20 ISO4029 45H	2
7	594 79 28-01	SCREW	M12x45 DIN 603 8.8 A3K	4
8	594 39 22-01	NUT	M24x2 DIN 439B	2
9	595 11 33-01	WASHER	M10 ISO7089 200HV A2K	4
10	595 11 34-01	WASHER	M12 ISO7089 200HV A2K	16
11	594 28 76-01	NUT	M12 DIN986 FZB	14
12	594 38 05-01	EXCENTER		3
13	594 39 19-01	COUPLING		2
14	594 39 20-01	SLEEVE		1
15	594 39 21-01	SCREW		1
16	594 39 23-01	CROSSBAR		1
17	594 39 24-01	HOLDER		1
18	594 39 25-01	HOLDER		1
19	594 39 28-01	NUT	M10 DIN986 FZB	4
21	598 20 24-01	HOLDER		1
22	595 20 15-01	BAR		3
23	595 20 16-01	SHAFT		1
24	595 20 17-01	TUBE		1
26	594 68 91-01	PLATE		2
27	594 68 90-01	PLATE		2
28	594 69 19-01	WASHER		2
29	594 68 10-01	BEARING	UCP204	2

Go to Discount-Equipment.com to order your parts

G BT 90
SCREED SECTIONS 0.75M - ELECTRIC / PETROL

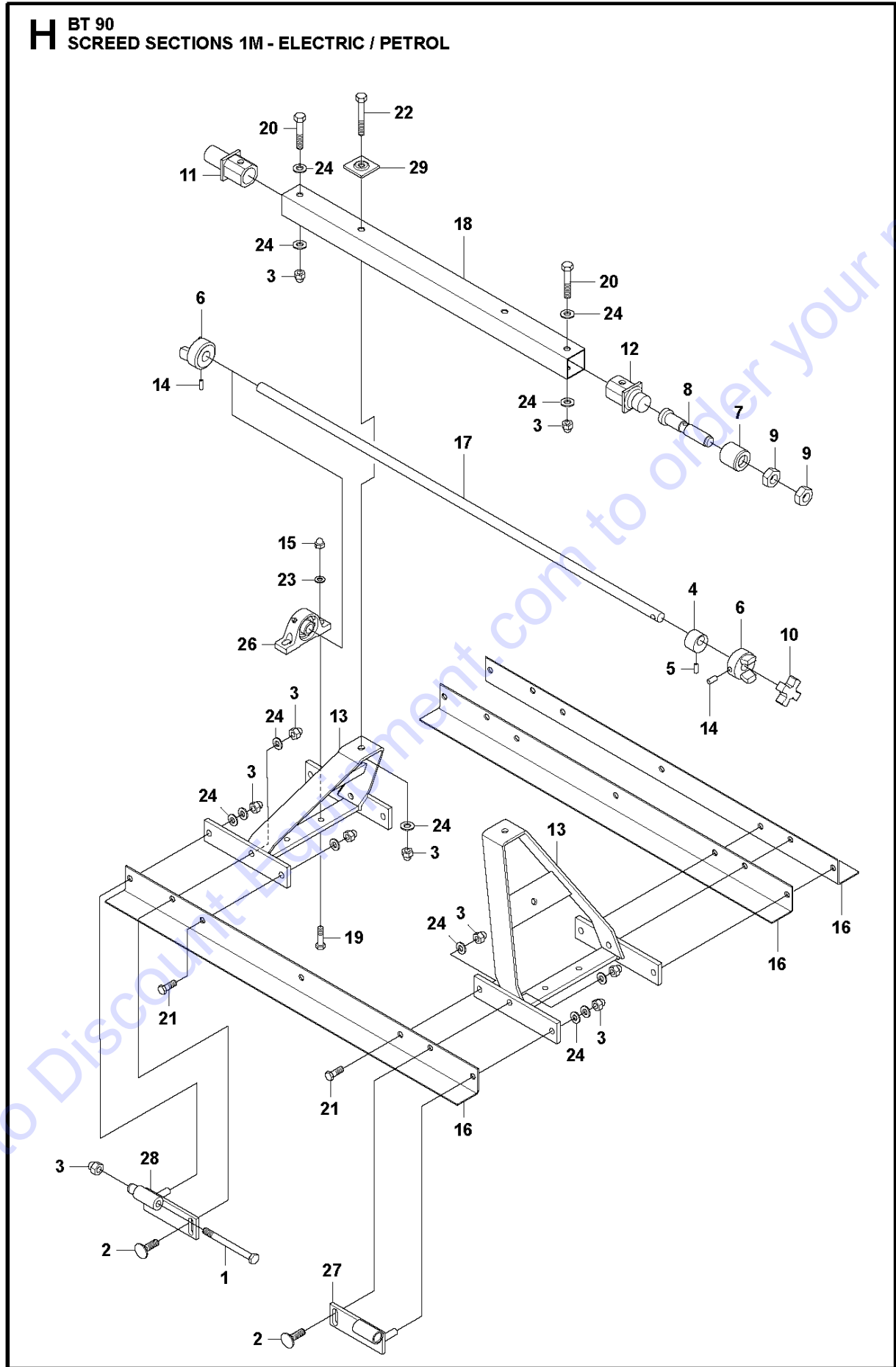


SCREED SECTIONS 0.75M - ELECTRIC / PETROL BT 90, 967941102, 967941103, 967941108, 967941104, 967941116, 967941105, 967941106, 967941107, 967941109, 967941110, 967941111,

Ref	Part No	Description	Remark	QTY KIT
1	595 05 46-01	SCREW	M10x40 ISO4014 8.8 A3K	4
2	594 11 90-01	BOLT	M12x30 ISO4017 8.8 A3K	4
3	595 88 76-01	SCREW	M12x70 ISO4014 8.8 A3K	2
4	595 34 55-01	SCREW	M12x80 ISO4014 8.8 A3K	2
5	594 28 58-01	SCREW	M12x130 ISO4014 8.8 A3K	2
6	594 38 06-01	SCREW	M8x20 ISO4029 45H	4
7	594 39 27-01	SCREW	M10x20 ISO4029 45H	2
8	594 79 28-01	SCREW	M12x45 DIN 603 8.8 A3K	4
9	594 39 22-01	NUT	M24x2 DIN 439B	2
10	595 11 33-01	WASHER	M10 ISO7089 200HV A2K	4
11	595 11 34-01	WASHER	M12 ISO7089 200HV A2K	20
12	594 28 76-01	NUT	M12 DIN986 FZB	18
13	594 38 05-01	EXCENTER		4
14	594 39 19-01	COUPLING		2
15	594 39 20-01	SLEEVE		1
16	594 39 21-01	SCREW		1
17	594 39 23-01	CROSSBAR		1
18	594 39 24-01	HOLDER		1
19	594 39 25-01	HOLDER		1
20	594 39 28-01	NUT	M10 DIN986 FZB	4
23	595 47 70-01	ANGLE BRACKET		3
24	595 20 13-01	SHAFT		1
25	595 20 14-01	TUBE		1
27	594 68 91-01	PLATE		2
28	594 68 90-01	PLATE		2
29	594 69 19-01	WASHER		2
30	594 68 10-01	BEARING	UCP204	2

Go to Discount-Equipment.com to order your parts

H BT 90 SCREED SECTIONS 1M - ELECTRIC / PETROL

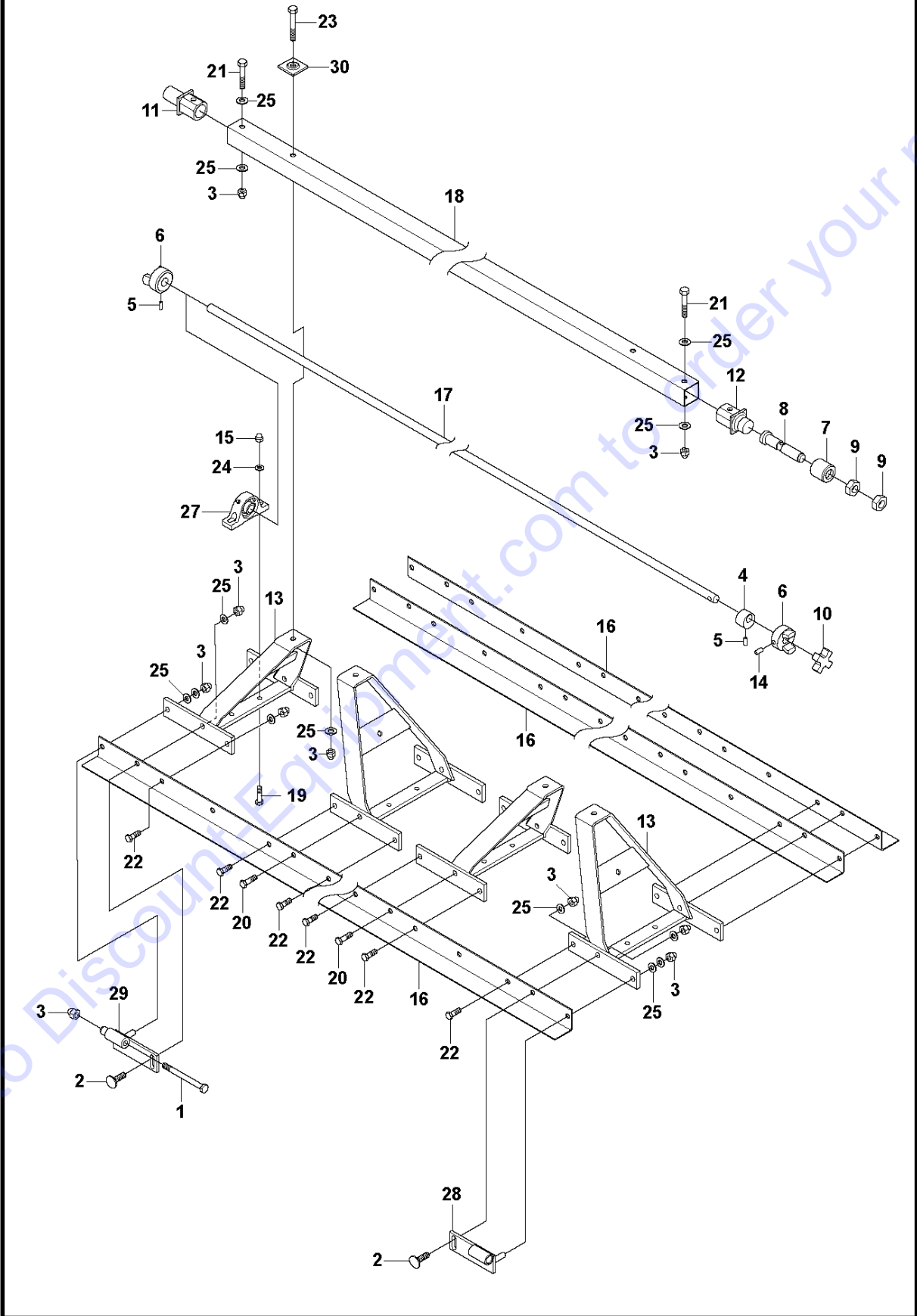


SCREED SECTIONS 1M - ELECTRIC / PETROL BT 90, 967941102, 967941103, 967941108, 967941104, 967941116, 967941105, 967941106, 967941107, 967941109, 967941110, 967941111,

Ref	Part No	Description	Remark	QTY KIT
1	594 28 58-01	SCREW	M12x130 ISO4014 8.8 A3K	2
2	594 79 28-01	SCREW	M12x45 DIN 603 8.8 A3K	4
3	594 28 76-01	NUT	M12 DIN986 FZB	18
4	594 38 05-01	EXCENTER		4
5	594 38 06-01	SCREW	M8x20 ISO4029 45H	4
6	594 39 19-01	COUPLING		2
7	594 39 20-01	SLEEVE		1
8	594 39 21-01	SCREW		1
9	594 39 22-01	NUT	M24x2 DIN 439B	2
10	594 39 23-01	CROSSBAR		1
11	594 39 24-01	HOLDER		1
12	594 39 25-01	HOLDER		1
14	594 39 27-01	SCREW	M10x20 ISO4029 45H	2
15	594 39 28-01	NUT	M10 DIN986 FZB	4
16	594 39 17-01	BAR		3
17	594 39 18-01	SHAFT		1
18	598 20 05-01	TUBE		1
19	595 05 46-01	SCREW	M10x40 ISO4014 8.8 A3K	4
20	595 88 76-01	SCREW	M12x70 ISO4014 8.8 A3K	2
21	594 11 90-01	BOLT	M12x30 ISO4017 8.8 A3K	4
22	595 34 55-01	SCREW	M12x80 ISO4014 8.8 A3K	2
23	595 11 33-01	WASHER	M10 ISO7089 200HV A2K	4
24	595 11 34-01	WASHER	M12 ISO7089 200HV A2K	20
26	594 68 10-01	BEARING	UCP204	2
27	594 68 90-01	PLATE		2
28	594 68 91-01	PLATE		2
29	594 69 19-01	WASHER		2

Go to Discount-Equipment.com to find your parts

J BT 90
SCREED SECTIONS 2M - ELECTRIC / PETROL

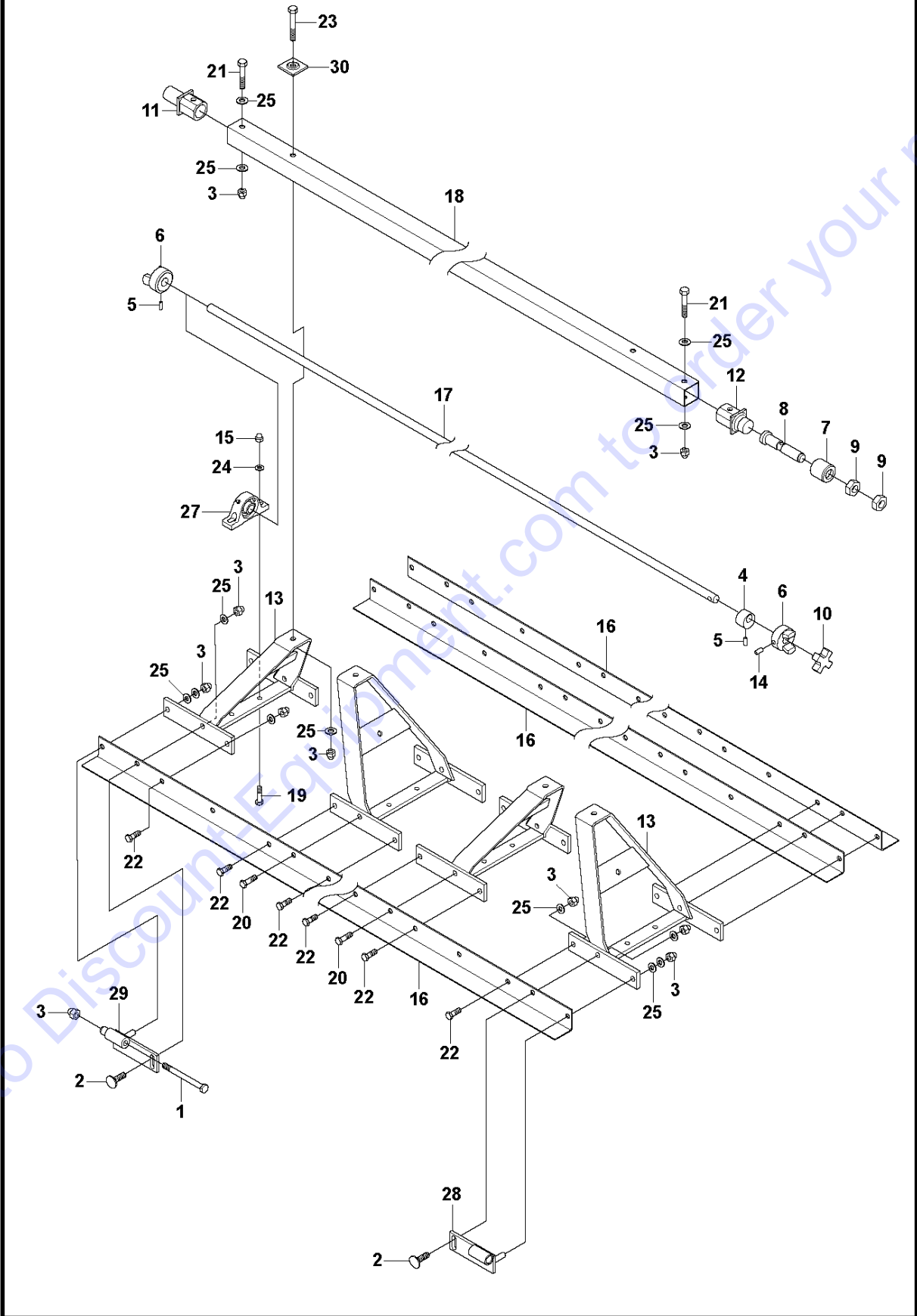


SCREED SECTIONS 2M - ELECTRIC / PETROL BT 90, 967941102, 967941103, 967941108,
 967941104, 967941116, 967941105, 967941106, 967941107, 967941109, 967941110, 967941111,

Ref	Part No	Description	Remark	QTY KIT
1	594 28 58-01	SCREW	M12x130 ISO4014 8.8 A3K	2
2	594 79 28-01	SCREW	M12x45 DIN 603 8.8 A3K	4
3	594 28 76-01	NUT	M12 DIN986 FZB	32
4	594 38 05-01	EXCENTER		8
5	594 38 06-01	SCREW	M8x20 ISO4029 45H	8
6	594 39 19-01	COUPLING		2
7	594 39 20-01	SLEEVE		1
8	594 39 21-01	SCREW		1
9	594 39 22-01	NUT	M24x2 DIN 439B	2
10	594 39 23-01	CROSSBAR		1
11	594 39 24-01	HOLDER		1
12	594 39 25-01	HOLDER		1
14	594 39 27-01	SCREW	M10x20 ISO4029 45H	2
15	594 39 28-01	NUT	M10 DIN986 FZB	8
16	594 39 29-01	BAR		3
17	594 39 30-01	SHAFT		1
19	595 05 46-01	SCREW	M10x40 ISO4014 8.8 A3K	8
20	595 11 03-01	SCREW	M12x35 ISO4017 8.8 A3K	4
21	595 88 76-01	SCREW	M12x70 ISO4014 8.8 A3K	2
22	594 11 90-01	BOLT	M12x30 ISO4017 8.8 A3K	12
23	595 34 55-01	SCREW	M12x80 ISO4014 8.8 A3K	4
24	595 11 33-01	WASHER	M10 ISO7089 200HV A2K	8
25	595 11 34-01	WASHER	M12 ISO7089 200HV A2K	34
27	594 68 10-01	BEARING	UCP204	4
28	594 68 90-01	PLATE		2
29	594 68 91-01	PLATE		2
30	594 69 19-01	WASHER		4

Go to Discount-Equipment.com to find your parts

K BT 90
SCREED SECTIONS 3M - ELECTRIC / PETROL

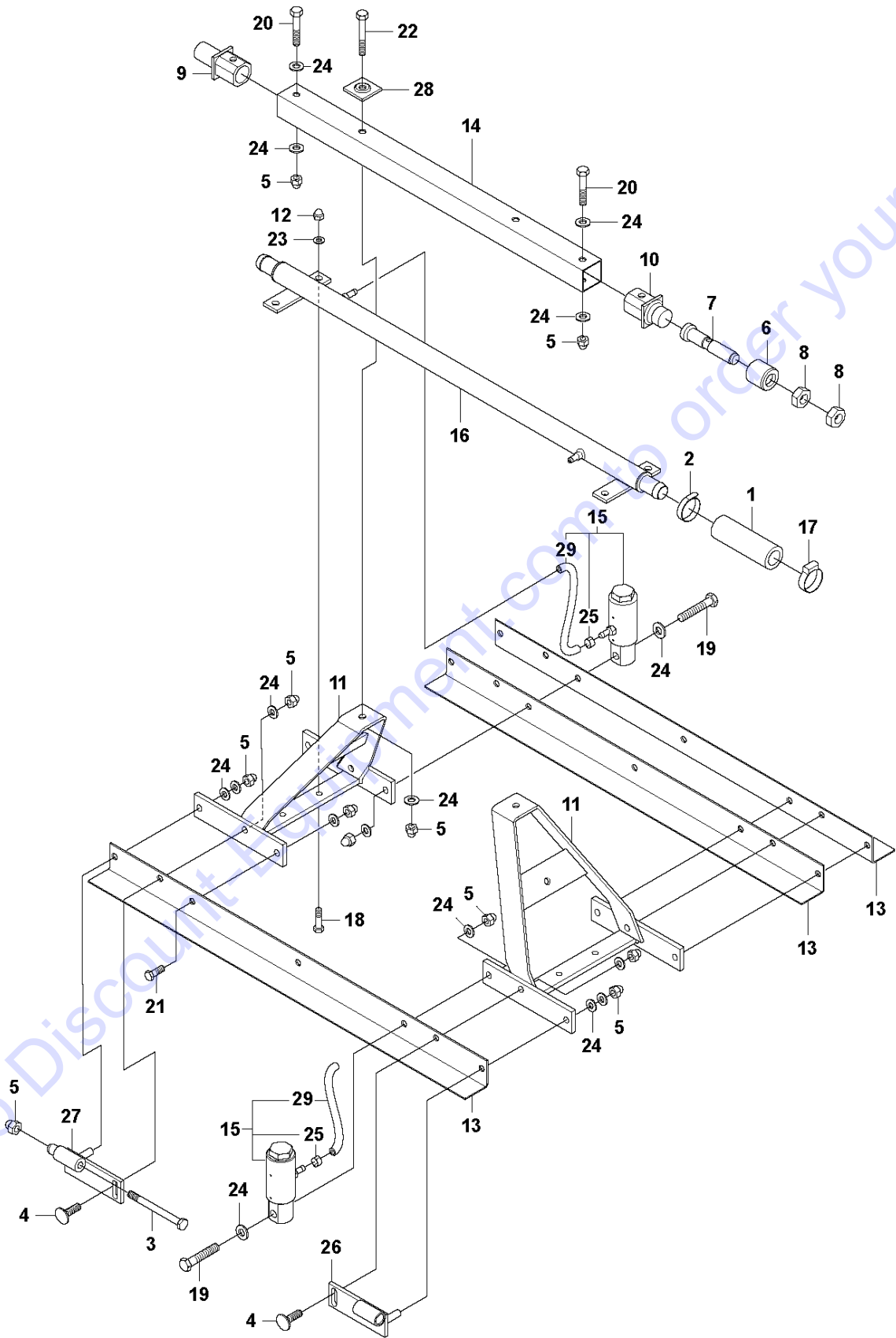


SCREED SECTIONS 3M - ELECTRIC / PETROL BT 90, 967941102, 967941103, 967941108, 967941104, 967941116, 967941105, 967941106, 967941107, 967941109, 967941110, 967941111,

Ref	Part No	Description	Remark	QTY KIT
1	594 28 58-01	SCREW	M12x130 ISO4014 8.8 A3K	2
2	594 79 28-01	SCREW	M12x45 DIN 603 8.8 A3K	4
3	594 28 76-01	NUT	M12 DIN986 FZB	46
4	594 38 05-01	EXCENTER		12
5	594 38 06-01	SCREW	M8x20 ISO4029 45H	12
6	594 39 19-01	COUPLING		2
7	594 39 20-01	SLEEVE		1
8	594 39 21-01	SCREW		1
9	594 39 22-01	NUT	M24x2 DIN 439B	2
10	594 39 23-01	CROSSBAR		1
11	594 39 24-01	HOLDER		1
12	594 39 25-01	HOLDER		1
14	594 39 27-01	SCREW	M10x20 ISO4029 45H	2
15	594 39 28-01	NUT	M10 DIN986 FZB	12
16	594 39 31-01	BAR		3
17	594 39 32-01	SHAFT		1
18	595 19 74-01	TUBE		1
19	595 05 46-01	SCREW	M10x40 ISO4014 8.8 A3K	12
20	595 11 03-01	SCREW	M12x35 ISO4017 8.8 A3K	8
21	595 88 76-01	SCREW	M12x70 ISO4014 8.8 A3K	2
22	594 11 90-01	BOLT	M12x30 ISO4017 8.8 A3K	20
23	595 34 55-01	SCREW	M12x80 ISO4014 8.8 A3K	6
24	595 11 33-01	WASHER	M10 ISO7089 200HV A2K	12
25	595 11 34-01	WASHER	M12 ISO7089 200HV A2K	48
27	594 68 10-01	BEARING	UCP204	6
28	594 68 90-01	PLATE		2
29	594 68 91-01	PLATE		2
30	594 69 19-01	WASHER		6

Go to Discount-Equipment.com to find your parts

L BT 90
SCREED SECTIONS 1M - PNEUMATIC

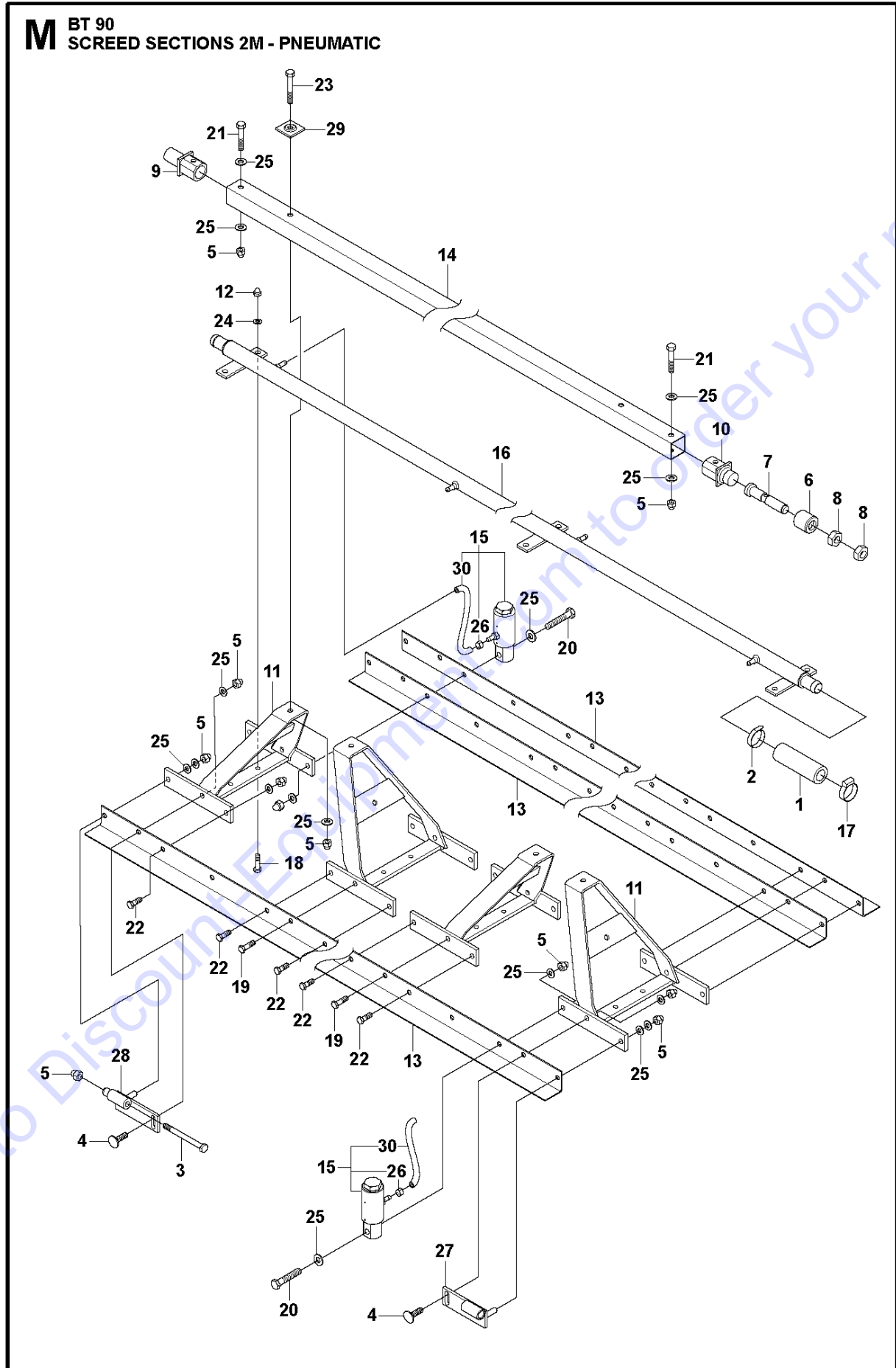


SCREED SECTIONS 1M - PNEUMATIC BT 90, 967941102, 967941103, 967941108, 967941104, 967941116, 967941105, 967941106, 967941107, 967941109, 967941110, 967941111, 2019-09

Ref	Part No	Description	Remark	QTY	KIT
1	594 38 84-02	HOSE		1	
2	594 28 54-01	CLAMP		1	
3	594 28 58-01	SCREW	M12x130 ISO4014 8.8 A3K	2	
4	594 79 28-01	SCREW	M12x45 DIN 603 8.8 A3K	4	
5	594 28 76-01	NUT	M12 DIN986 FZB	18	
6	594 39 20-01	SLEEVE		1	
7	594 39 21-01	SCREW		1	
8	594 39 22-01	NUT	M24x2 DIN 439B	2	
9	594 39 24-01	HOLDER		1	
10	594 39 25-01	HOLDER		1	
12	594 39 28-01	NUT	M10 DIN986 FZB	4	
13	594 39 17-01	BAR		3	
14	598 20 05-01	TUBE		1	
15	594 39 33-01	DAMPER		2	
16	594 39 34-01	TUBE		1	
17	594 81 78-01	CLAMP		1	
18	594 11 85-01	BOLT	M10x30 ISO4017 8.8 A3K	4	
20	595 88 76-01	SCREW	M12x70 ISO4014 8.8 A3K	2	
21	594 11 90-01	BOLT	M12x30 ISO4017 8.8 A3K	2	
22	595 34 55-01	SCREW	M12x80 ISO4014 8.8 A3K	2	
23	595 11 33-01	WASHER	M10 ISO7089 200HV A2K	4	
24	595 11 34-01	WASHER	M12 ISO7089 200HV A2K	22	
26	594 68 90-01	PLATE		2	
27	594 68 91-01	PLATE		2	
28	594 69 19-01	WASHER		2	
29	594 25 48-05	HOSE		2	15

Go to Discount-Equipment.com to buy your parts

M BT 90
SCREED SECTIONS 2M - PNEUMATIC

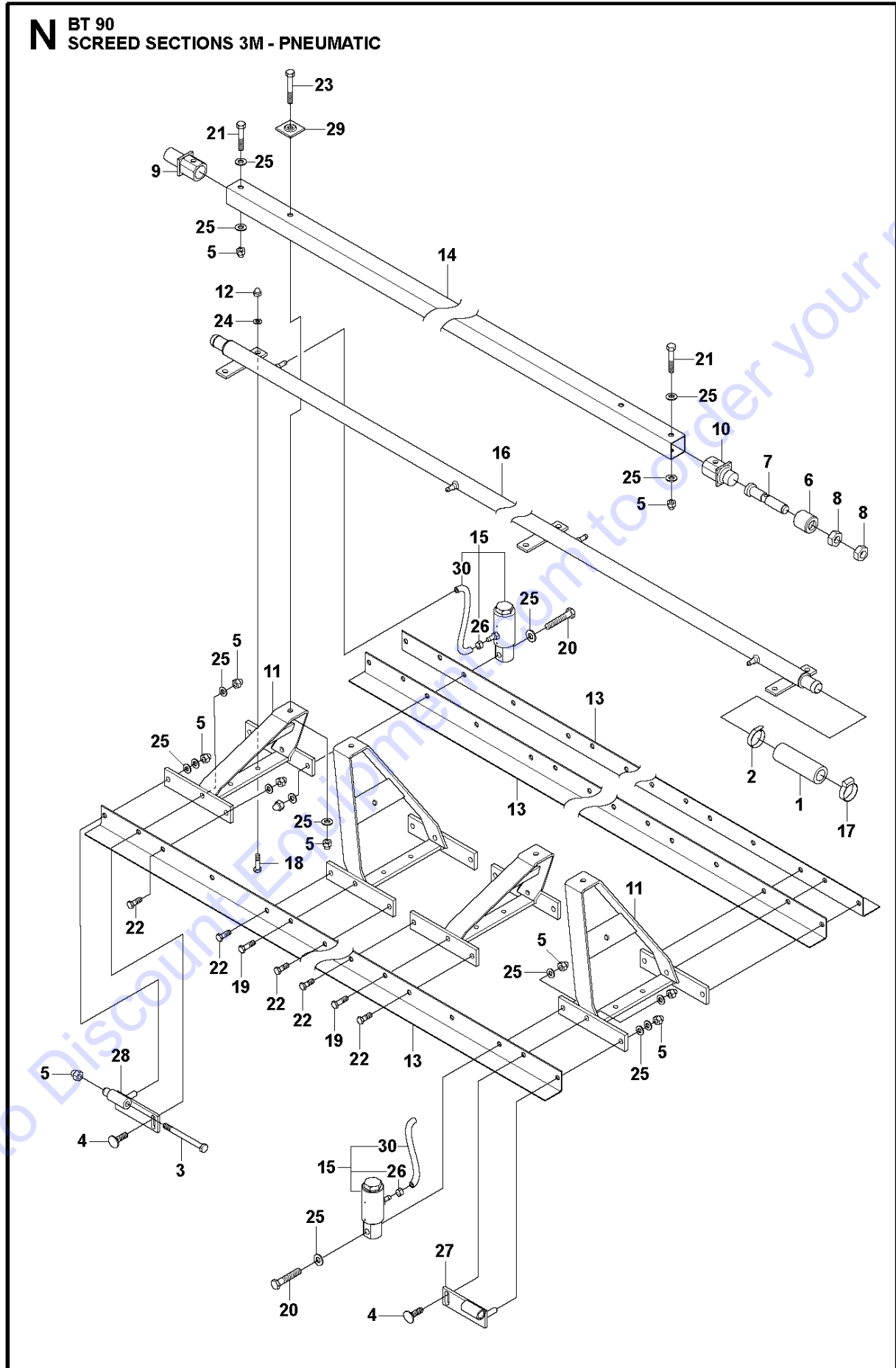


SCREED SECTIONS 2M - PNEUMATIC BT 90, 967941102, 967941103, 967941108, 967941104, 967941116, 967941105, 967941106, 967941107, 967941109, 967941110, 967941111, 2019-09

Ref	Part No	Description	Remark	QTY	KIT
1	594 38 84-02	HOSE		1	
2	594 28 54-01	CLAMP		1	
3	594 28 58-01	SCREW	M12x130 ISO4014 8.8 A3K	2	
4	594 79 28-01	SCREW	M12x45 DIN 603 8.8 A3K	4	
5	594 28 76-01	NUT	M12 DIN986 FZB	32	
6	594 39 20-01	SLEEVE		1	
7	594 39 21-01	SCREW		1	
8	594 39 22-01	NUT	M24x2 DIN 439B	2	
9	594 39 24-01	HOLDER		1	
10	594 39 25-01	HOLDER		1	
12	594 39 28-01	NUT	M10 DIN986 FZB	6	
13	594 39 29-01	BAR		3	
15	594 39 33-01	DAMPER		4	
16	595 46 05-01	TUBE		1	
17	594 81 78-01	CLAMP		1	
18	594 11 85-01	BOLT	M10x30 ISO4017 8.8 A3K	6	
19	595 11 03-01	SCREW	M12x35 ISO4017 8.8 A3K	4	
21	595 88 76-01	SCREW	M12x70 ISO4014 8.8 A3K	2	
22	594 11 90-01	BOLT	M12x30 ISO4017 8.8 A3K	8	
23	595 34 55-01	SCREW	M12x80 ISO4014 8.8 A3K	4	
24	595 11 33-01	WASHER	M10 ISO7089 200HV A2K	6	
25	595 11 34-01	WASHER	M12 ISO7089 200HV A2K	38	
27	594 68 90-01	PLATE		2	
28	594 68 91-01	PLATE		2	
29	594 69 19-01	WASHER		4	
30	594 25 48-05	HOSE		4	15

Go to Discount-Equipment.com to buy your parts

N BT 90
SCREED SECTIONS 3M - PNEUMATIC

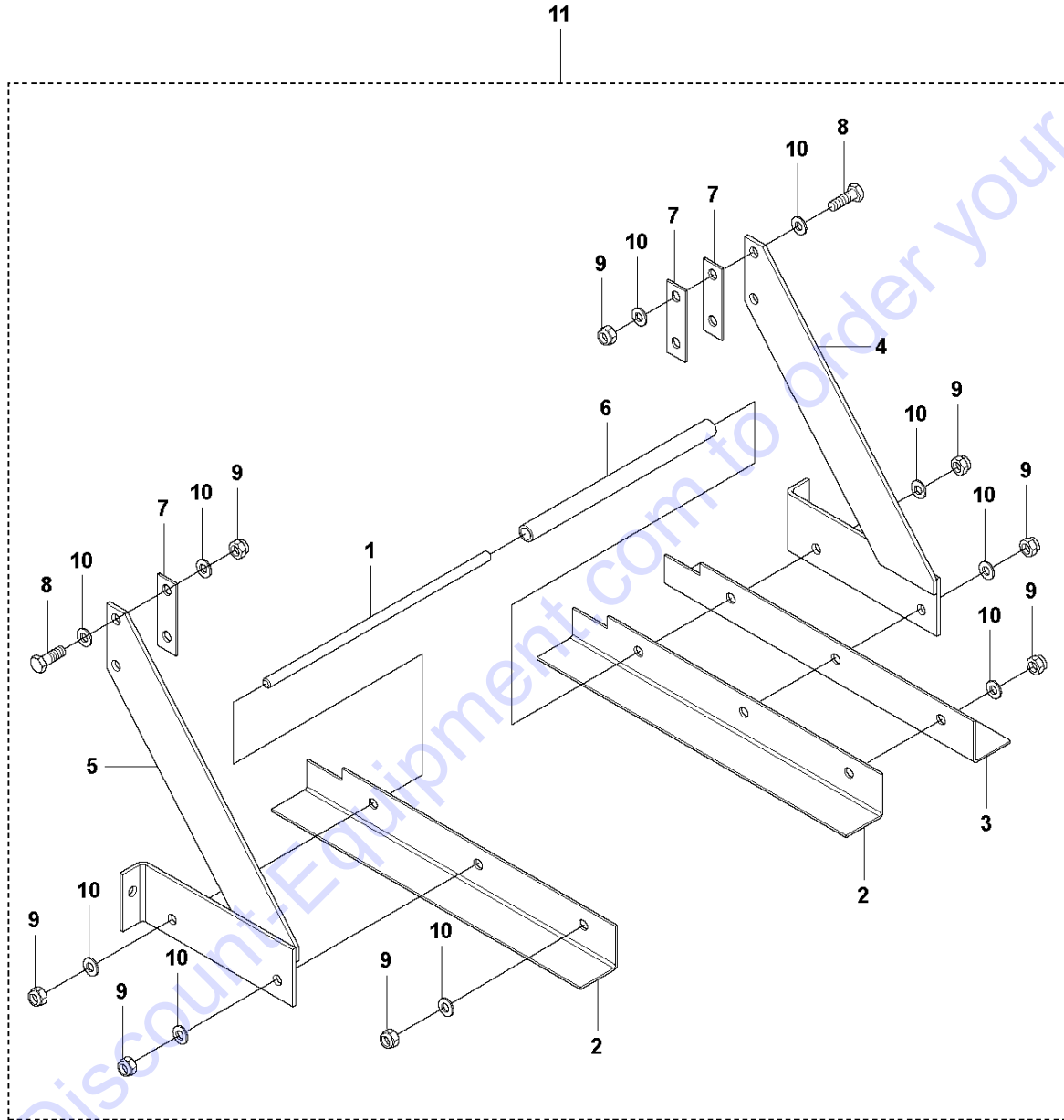


SCREED SECTIONS 3M - PNEUMATIC BT 90, 967941102, 967941103, 967941108, 967941104, 967941116, 967941105, 967941106, 967941107, 967941109, 967941110, 967941111, 2019-09

Ref	Part No	Description	Remark	QTY	KIT
1	594 38 84-02	HOSE		1	
2	594 28 54-01	CLAMP		1	
3	594 28 58-01	SCREW	M12x130 ISO4014 8.8 A3K	2	
4	594 79 28-01	SCREW	M12x45 DIN 603 8.8 A3K	4	
5	594 28 76-01	NUT	M12 DIN986 FZB	46	
6	594 39 20-01	SLEEVE		1	
7	594 39 21-01	SCREW		1	
8	594 39 22-01	NUT	M24x2 DIN 439B	2	
9	594 39 24-01	HOLDER		1	
10	594 39 25-01	HOLDER		1	
12	594 39 28-01	NUT	M10 DIN986 FZB	8	
13	594 39 31-01	BAR		3	
14	595 19 74-01	TUBE		1	
15	594 39 33-01	DAMPER		6	
16	595 46 06-01	TUBE		1	
17	594 81 78-01	CLAMP		1	
18	594 11 85-01	BOLT	M10x30 ISO4017 8.8 A3K	8	
19	595 11 03-01	SCREW	M12x35 ISO4017 8.8 A3K	8	
21	595 88 76-01	SCREW	M12x70 ISO4014 8.8 A3K	2	
22	594 11 90-01	BOLT	M12x30 ISO4017 8.8 A3K	22	
23	595 34 55-01	SCREW	M12x80 ISO4014 8.8 A3K	6	
24	595 11 33-01	WASHER	M10 ISO7089 200HV A2K	8	
25	595 11 34-01	WASHER	M12 ISO7089 200HV A2K	55	
27	594 68 90-01	PLATE		2	
28	594 68 91-01	PLATE		2	
29	594 69 19-01	WASHER		6	
30	594 25 48-05	HOSE		6	15

Go to Discount-Equipment.com to find your parts

P BT 90
EXTENSION



PARTS FINDER

**Search Website
by Part Number**



**Search Manual
Library For Parts
Manual & Lookup Part
Numbers – Purchase
or Request Quote**

Search Manuals

Enter your information to help us find the right parts manual for your machine.

* Brand:

* Model:

* Serial:

* Part Number:

SEARCH

**Can't Find Part or
Manual? Request Help
by Manufacturer,
Model & Description**

Parts Order Form

Please fill in the following information to help us find the right part for your machine.

Manufacturer:	<input type="text"/>
Model:	<input type="text"/>
Description:	<input type="text"/>
Part Number:	<input type="text"/>
Quantity:	<input type="text"/>
Notes:	<input type="text"/>

Submit

Discount-Equipment.com is your online resource for quality parts & equipment.

Florida: **561-964-4949** Outside Florida TOLL FREE: **877-690-3101**

Need parts?

Click on this link: <http://www.discount-equipment.com/category/5443-parts/> and choose one of the options to help get the right parts and equipment you are looking for. Please have the machine model and serial number available in order to help us get you the correct parts. If you don't find the part on the website or on one of the online manuals, please fill out the request form and one of our experienced staff members will get back to you with a quote for the right part that your machine needs.

We sell worldwide for the brands: Genie, Terex, JLG, MultiQuip, Mikasa, Essick, Whiteman, Mayco, Toro Stone, Diamond Products, Generac Magnum, Airman, Haulotte, Barreto, Power Blanket, Nifty Lift, Atlas Copco, Chicago Pneumatic, Allmand, Miller Curber, Skyjack, Lull, Skytrak, Tsurumi, Husquvarna Target, Stow, Wacker, Sakai, Mi-T-M, Sullair, Basic, Dynapac, MBW, Weber, Bartell, Bennar Newman, Haulotte, Ditch Runner, Menegotti, Morrison, Contec, Buddy, Crown, Edco, Wyco, Bomag, Laymor, EZ Trench, Bil-Jax, F.S. Curtis, Gehl Pavers, Heli, Honda, ICS/PowerGrit, IHI, Partner, Imer, Clipper, MMD, Koshin, Rice, CH&E, General Equipment, Amida, Coleman, NAC, Gradall, Square Shooter, Kent, Stanley, Tamco, Toku, Hatz, Kohler, Robin, Wisconsin, Northrock, Oztec, Toker TK, Rol-Air, APT, Wylie, Ingersoll Rand / Doosan, Innovatech, Con X, Ammann, Mecalac, Makinex, Smith Surface Prep, Small Line, Wanco, Yanmar

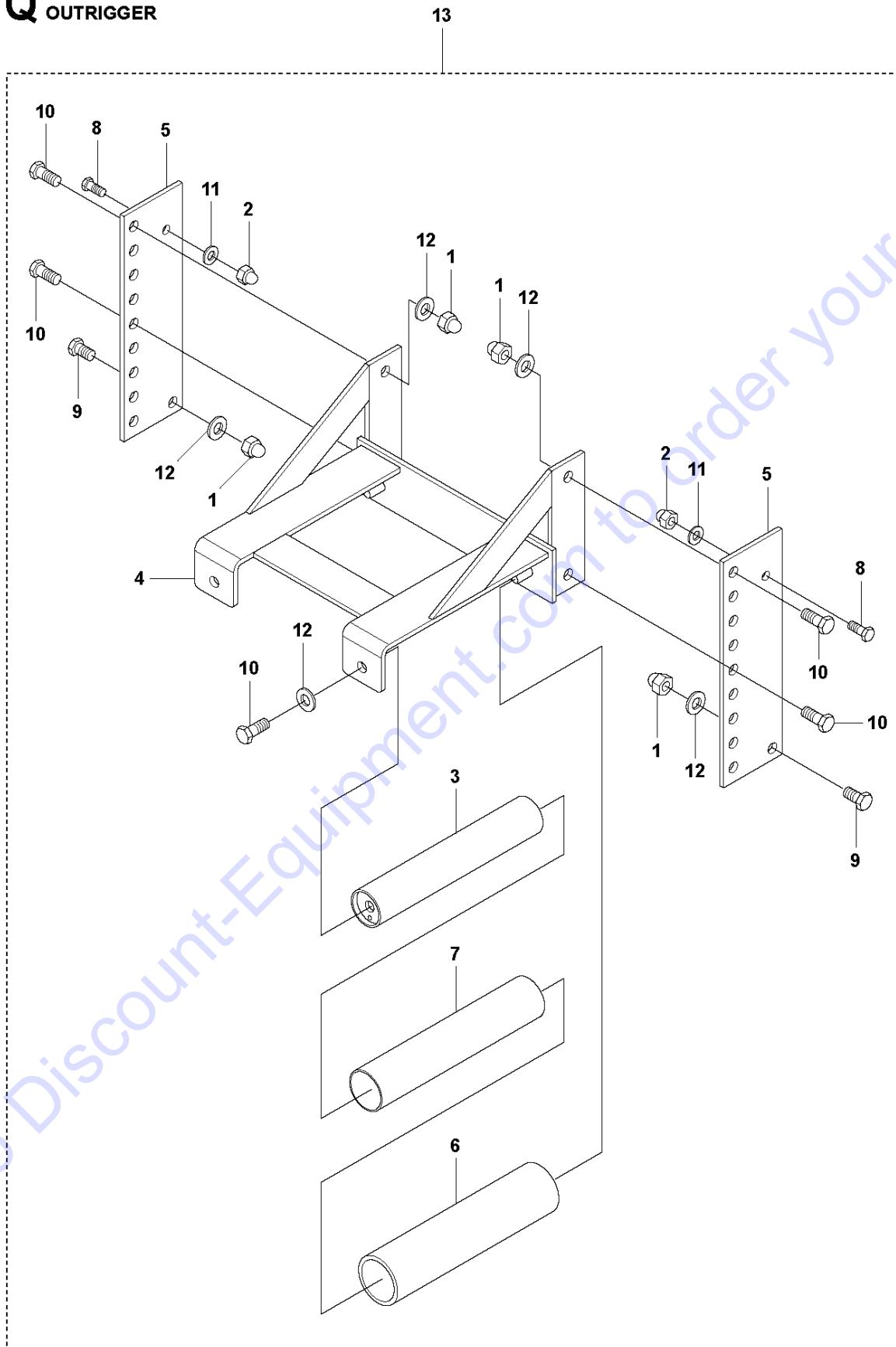
EXTENSION BT 90, 967941102, 967941103, 967941108, 967941104, 967941116, 967941105, 967941106, 967941107, 967941109, 967941110, 967941111, 2019-09

Ref	Part No	Description	Remark	QTY	KIT
1	595 45 75-01	BOLT	M12x360	3	11
2	595 16 60-01	BAR		2	11
3	595 16 61-01	BAR		1	11
4	598 20 07-01	HOLDER		1	11
5	598 20 08-01	HOLDER		1	11
6	595 16 62-01	TUBE		3	11
7	595 16 63-01	SPACER		3	11
8	595 11 03-01	SCREW	M12x35 ISO4017 8.8 A3K	4	11
9	595 11 27-01	NUT	M12 ISO7040 8 A3K	10	11
10	595 11 34-01	WASHER	M12 ISO7089 200HV A2K	14	11
11	594 86 05-02	EXTENSION	0.5 m extension	1	

Go to Discount-Equipment.com to order your parts

OUTRIGGER BT 90, 967941102, 967941103, 967941108, 967941104, 967941116, 967941105, 967941106, 967941107, 967941109, 967941110, 967941111, 2019-09

Q BT 90
OUTRIGGER



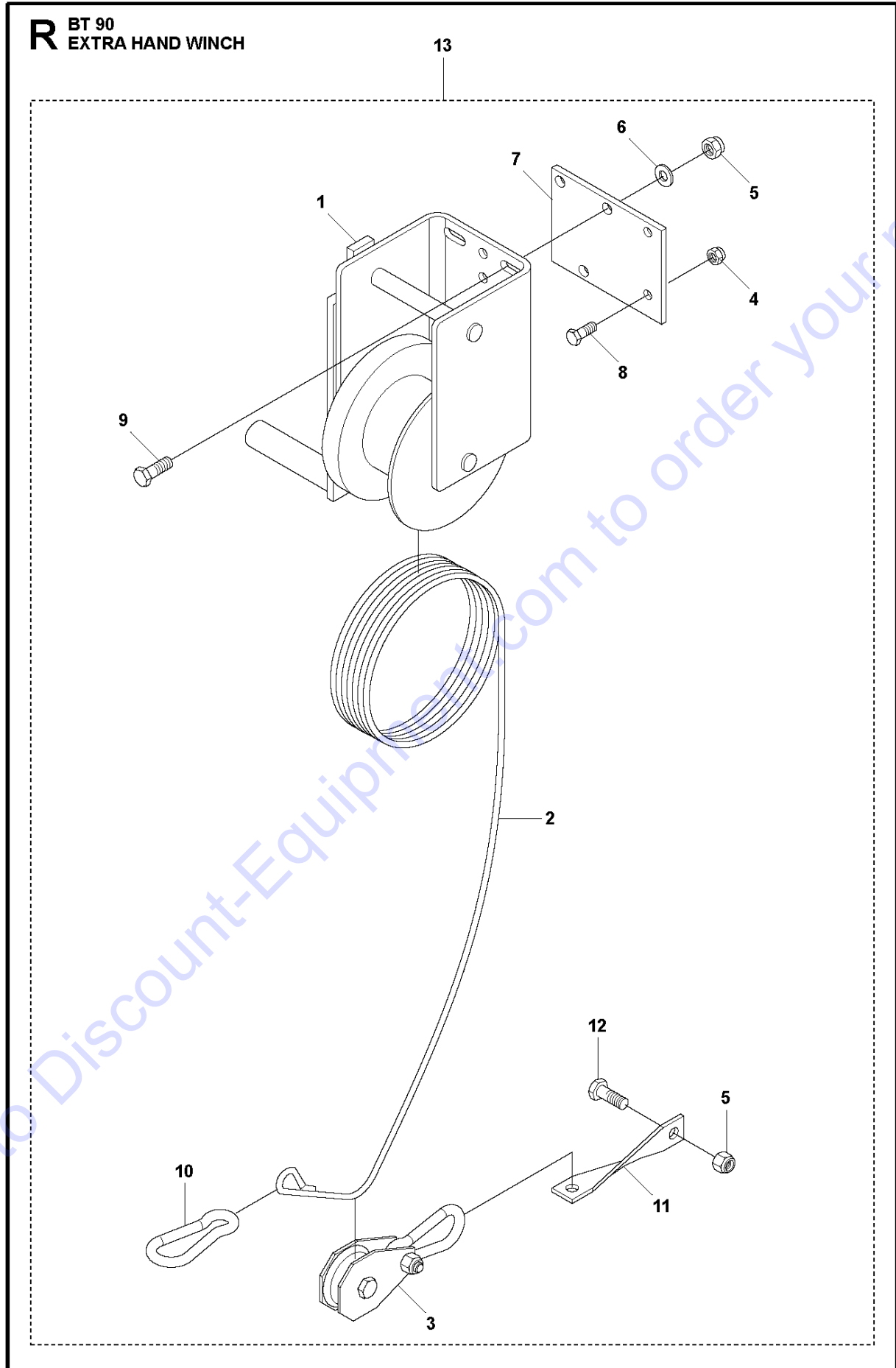
Go to Discount-Equipment.com to order your parts

OUTRIGGER BT 90, 967941102, 967941103, 967941108, 967941104, 967941116, 967941105, 967941106, 967941107, 967941109, 967941110, 967941111, 2019-09

Ref	Part No	Description	Remark	QTY	KIT
1	594 28 76-01	NUT	M12 DIN986 FZB	6	13
2	594 39 28-01	NUT	M10 DIN986 FZB	2	13
3	595 16 64-01	DRUM		2	13
4	598 20 09-01	HOLDER		1	13
5	595 19 78-01	HOLDER		2	13
6	595 16 65-01	HOSE	245 mm , 9.25 in.	2	13
7	595 16 23-01	TUBE		2	13
8	595 07 11-01	SCREW	M10x25 ISO4017 8.8 A3K	2	13
9	595 34 53-01	SCREW	M12x25 ISO4017 8.8 A3K	2	13
10	594 11 90-01	BOLT	M12x30 ISO4017 8.8 A3K	8	13
11	595 11 33-01	WASHER	M10 ISO7089 200HV A2K	2	13
12	595 11 34-01	WASHER	M12 ISO7089 200HV A2K	10	13
13	594 86 06-02	OUTRIGGER	Outrigger	1	

Go to Discount-Equipment.com to order your parts

R BT 90
EXTRA HAND WINCH



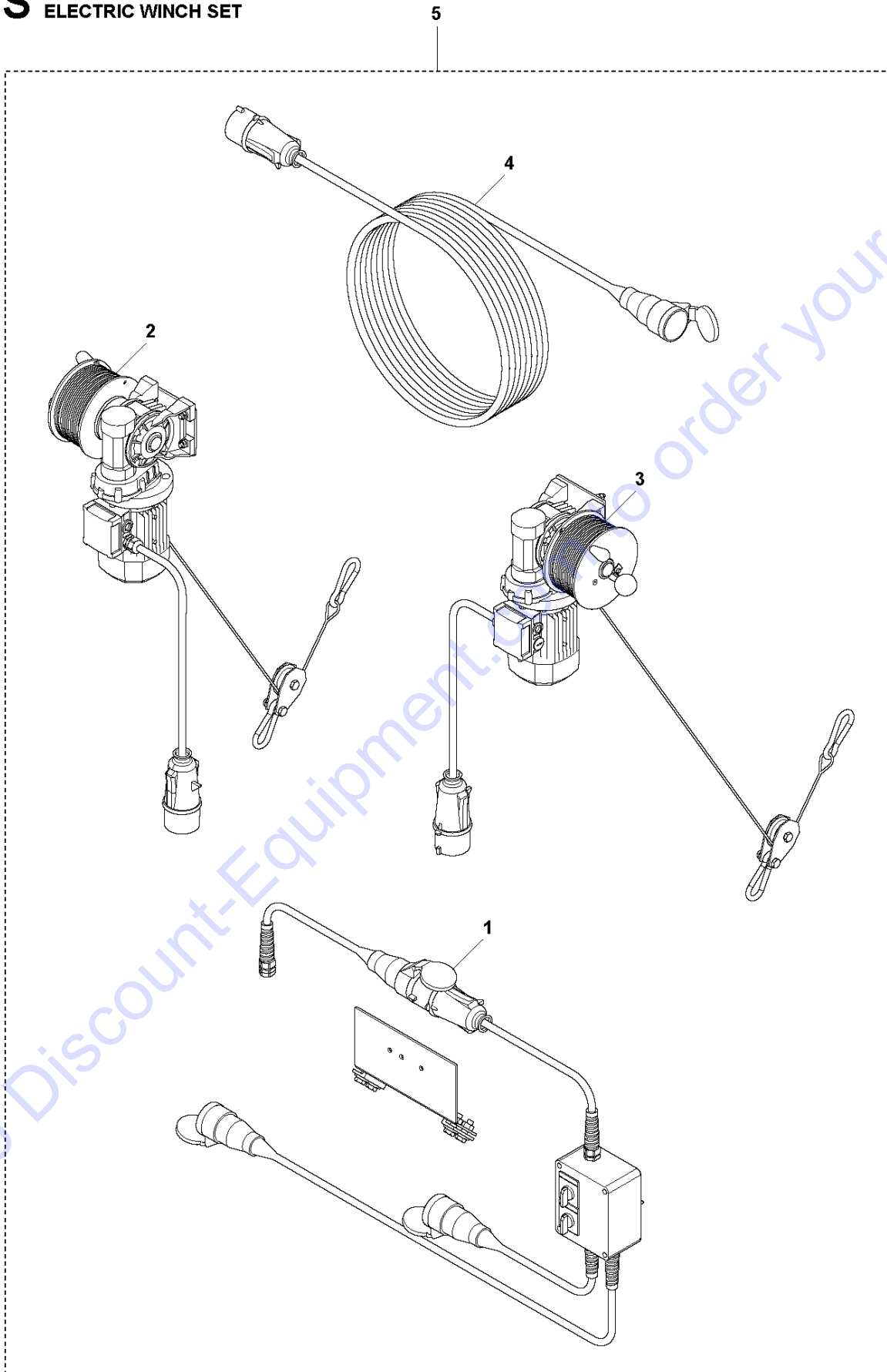
Go to Discount-Equipment.com to order your parts

EXTRA HAND WINCH BT 90, 967941102, 967941103, 967941108, 967941104, 967941116,
967941105, 967941106, 967941107, 967941109, 967941110, 967941111, 2019-09

Ref	Part No	Description	Remark	QTY	KIT
1	594 39 35-01	AXLE		1	13
2	594 39 48-01	CABLE	30 m	1	13
3	594 69 65-01	SHACKLE		2	13
4	595 35 23-01	NUT	M8 ISO7040 8 A2K	2	13
5	594 12 31-01	LOCK NUT	M10 ISO7040 8 A2K s16	4	13
6	595 11 33-01	WASHER	M10 ISO7089 200HV A2K	3	13
7	595 44 33-01	HOLDER		1	13
8	595 03 34-01	SCREW	M8x25 ISO4017 8.8 A2K	2	13
9	595 07 11-01	SCREW	M10x25 ISO4017 8.8 A3K	3	13
10	594 49 80-01	HOOK		1	13
11	595 44 44-01	HOLDER		1	13
12	594 11 85-01	BOLT	M10x30 ISO4017 8.8 A3K	1	13
13	596 86 44-01	WINCH	Extra hand winch	1	

Go to Discount-Equipment.com to order your parts

S BT 90
ELECTRIC WINCH SET



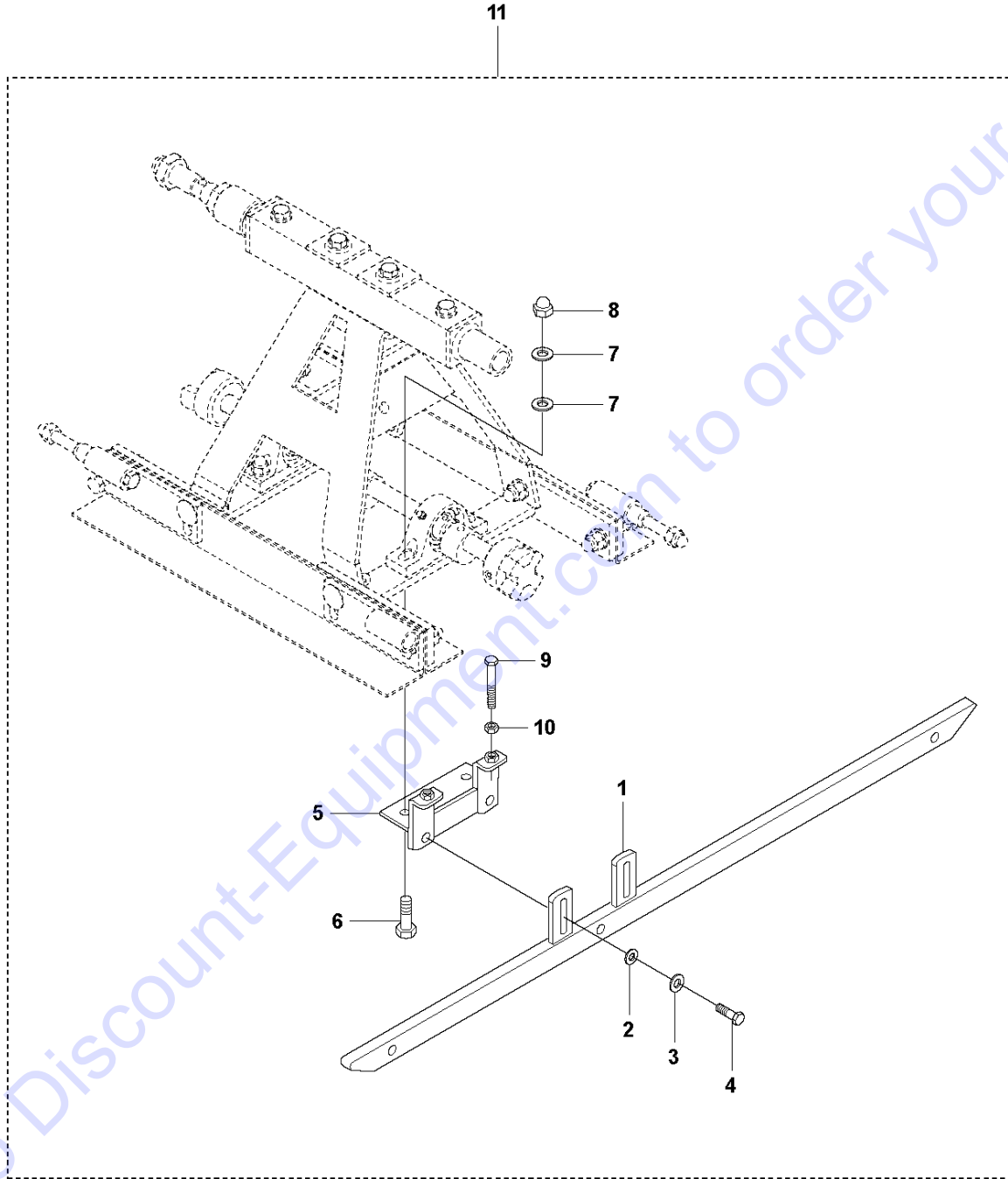
Go to Discount-Equipment.com to order your parts

ELECTRIC WINCH SET BT 90, 967941102, 967941103, 967941108, 967941104, 967941116,
967941105, 967941106, 967941107, 967941109, 967941110, 967941111, 2019-09

Ref	Part No	Description	Remark	QTY	KIT
1	595 47 79-01	BOX		1	5
2	595 52 55-01	CABLE		1	5
3	595 52 56-01	CABLE		1	5
4	594 24 77-01	CABLE		1	5
5	594 71 09-01	WINCH	Electric winches set	1	

Go to Discount-Equipment.com to order your parts

T BT 90
SKATE



Go to Discount-Equipment.com to order your parts

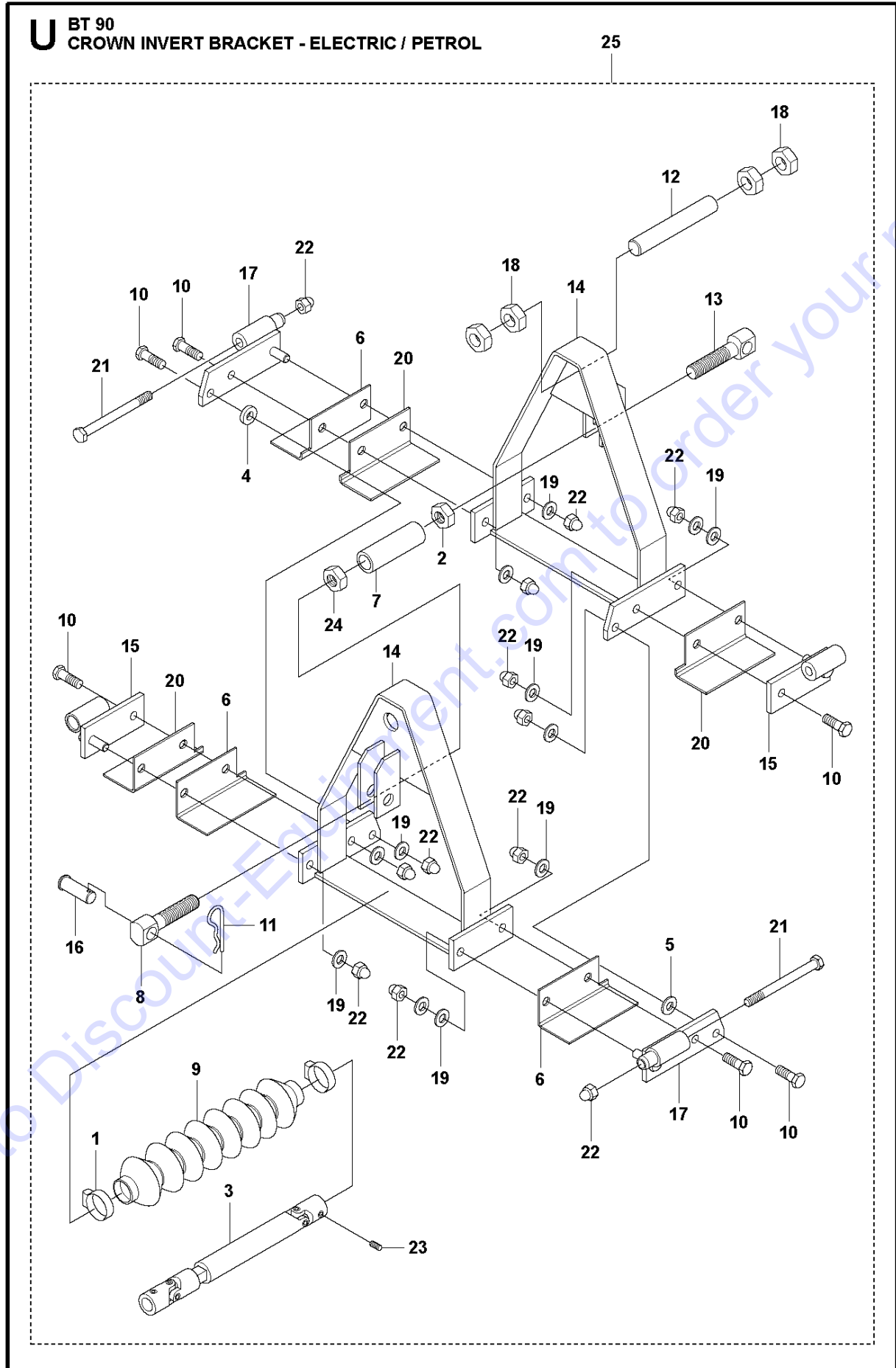
SKATE BT 90, 967941102, 967941103, 967941108, 967941104, 967941116, 967941105, 967941106, 967941107, 967941109, 967941110, 967941111, 2019-09

Ref	Part No	Description	Remark	QTY	KIT
1	595 49 92-01	BLADE		1	11
2	595 03 66-01	WASHER	M8 ISO7089 200HV A2K	2	11
3	595 11 36-01	WASHER	M8 DIN6796 FZB	2	11
4	595 34 43-01	SCREW	M8x30 ISO4017 8.8 A3K	2	11
5	595 49 91-01	HOLDER		1	11
6	595 05 46-01	SCREW	M10x40 ISO4014 8.8 A3K	2	11
7	595 11 33-01	WASHER	M10 ISO7089 200HV A2K	2	11
8	594 39 28-01	NUT	M10 DIN986 FZB	2	11
9	594 11 81-01	SCREW	M8x60 ISO4014 8.8 A3K	2	11
10	595 03 57-01	NUT	M8 DIN934 8 FZB	2	11
11	595 49 91-03	SKATE	Skate, complete	1	

Go to Discount-Equipment.com to order your parts

CROWN INVERT BRACKET - ELECTRIC / PETROL BT 90, 967941102, 967941103, 967941108, 967941104, 967941116, 967941105, 967941106, 967941107, 967941109, 967941110, 967941111, 2019-09

U BT 90
CROWN INVERT BRACKET - ELECTRIC / PETROL



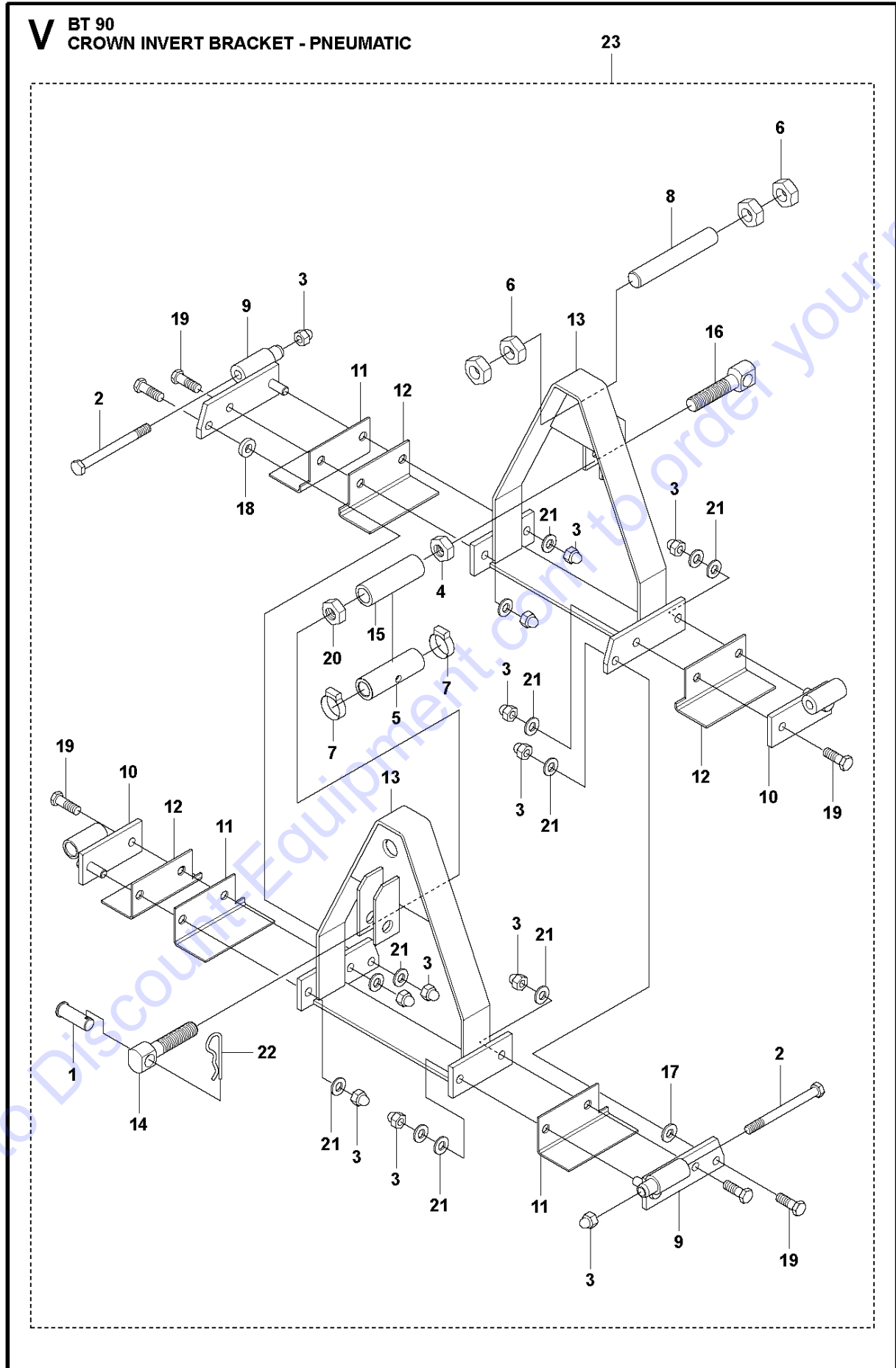
CROWN INVERT BRACKET - ELECTRIC / PETROL BT 90, 967941102, 967941103, 967941108, 967941104, 967941116, 967941105, 967941106, 967941107, 967941109, 967941110, 967941111,

Ref	Part No	Description	Remark	QTY	KIT
1	594 81 78-01	CLAMP		2	25
2	595 51 25-01	NUT	M20L DIN 934 8 FZB Left hand thread	1	25
3	595 52 61-01	JOINT		1	25
4	595 16 58-01	WASHER	12.4x26x6	1	25
5	595 16 59-01	WASHER	12.4x26x3	1	25
6	595 16 54-01	BAR		3	25
7	595 16 57-01	NUT		1	25
8	595 52 24-01	SHAFT		1	25
9	595 20 23-01	BELLOWS		1	25
10	595 11 03-01	SCREW	M12x35 ISO4017 8.8 A3K	6	25
11	595 46 71-01	LOCKING PIN	3.5x90	2	25
12	595 16 40-01	SCREW		1	25
13	595 16 56-01	SCREW	Left hand thread	1	25
14	595 19 79-01	HOLDER		2	25
15	595 16 53-01	GUIDE		2	25
16	595 15 37-01	AXLE		2	25
17	595 16 52-01	GUIDE		2	25
18	594 39 22-01	NUT	M24x2 DIN439B	4	25
19	595 11 34-01	WASHER	M12 ISO7089 200HV A2K	12	25
20	595 16 55-01	BAR		3	25
21	594 28 58-01	SCREW	M12x130 ISO4014 8.8 A3K	2	25
22	594 28 76-01	NUT	M12 DIN986 FZB	12	25
23	595 34 70-01	SCREW	M10x10 ISO4029 45H	2	25
24	598 51 39-01	HEXAGON NUT	M20 ISO4032 8 A3K	1	25
25	598 20 29-01	BRACKET	Crown invert bracket for electric and gasoline sections	1	

Go to Discount-Equipment.com to order your parts

CROWN INVERT BRACKET - PNEUMATIC BT 90, 967941102, 967941103, 967941108, 967941104, 967941116, 967941105, 967941106, 967941107, 967941109, 967941110, 967941111, 2019-09

V BT 90
CROWN INVERT BRACKET - PNEUMATIC

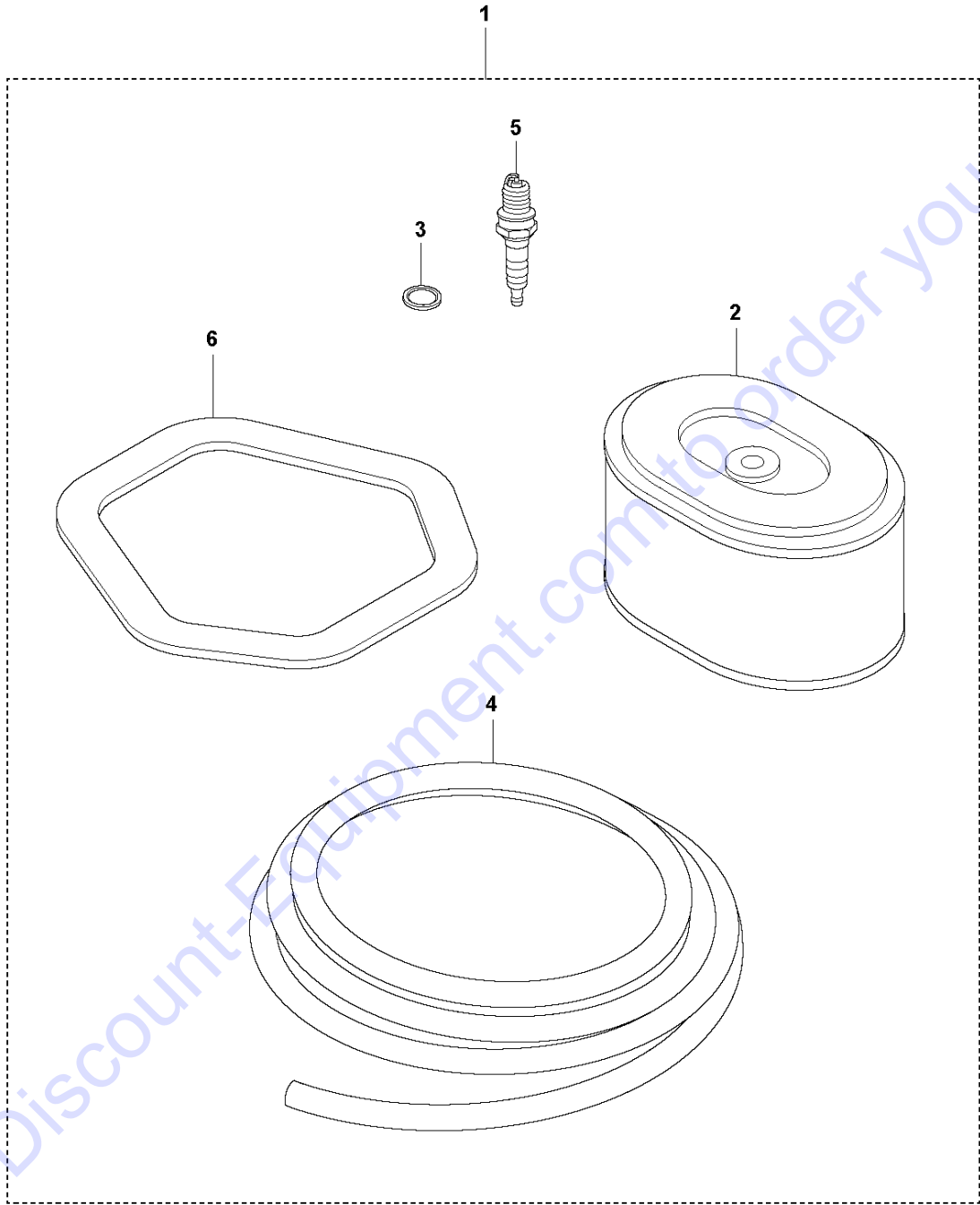


CROWN INVERT BRACKET - PNEUMATIC BT 90, 967941102, 967941103, 967941108, 967941104, 967941116, 967941105, 967941106, 967941107, 967941109, 967941110, 967941111, 2019-09

Ref	Part No	Description	Remark	QTY	KIT
1	595 15 37-01	AXLE		2	23
2	594 28 58-01	SCREW	M12x130 ISO4014 8.8 A3K	2	23
3	594 28 76-01	NUT	M12 DIN986 FZB	12	23
4	595 51 25-01	NUT	M20L DIN 934 8 FZB Left hand thread	1	23
5	594 38 84-03	HOSE		1	23
6	594 39 22-01	NUT	M24x2 DIN439B	4	23
7	594 81 78-01	CLAMP		2	23
8	595 16 40-01	SCREW		1	23
9	595 16 52-01	GUIDE		2	23
10	595 16 53-01	GUIDE		2	23
11	595 16 54-01	BAR		3	23
12	595 16 55-01	BAR		3	23
13	595 19 79-01	HOLDER		2	23
14	595 52 24-01	SHAFT		1	23
15	595 16 57-01	NUT		1	23
16	595 16 56-01	SCREW	Left hand thread	1	23
17	595 16 59-01	WASHER	12.4x26x3	1	23
18	595 16 58-01	WASHER	12.4x26x6	1	23
19	595 11 03-01	SCREW	M12x35 ISO4017 8.8 A3K	6	23
20	598 51 39-01	HEXAGON NUT	M20 ISO4032 8 A3K	1	23
21	595 11 34-01	WASHER	M12 ISO7089 200HV A2K	12	23
22	595 46 71-01	LOCKING PIN	3.5x90	2	23
23	594 86 07-01	BRACKET	Crown invert bracket for pneumatic sections	1	

Go to Discount-Equipment.com to order your parts

W BT 90
SERVICE KIT - HONDA GX 270



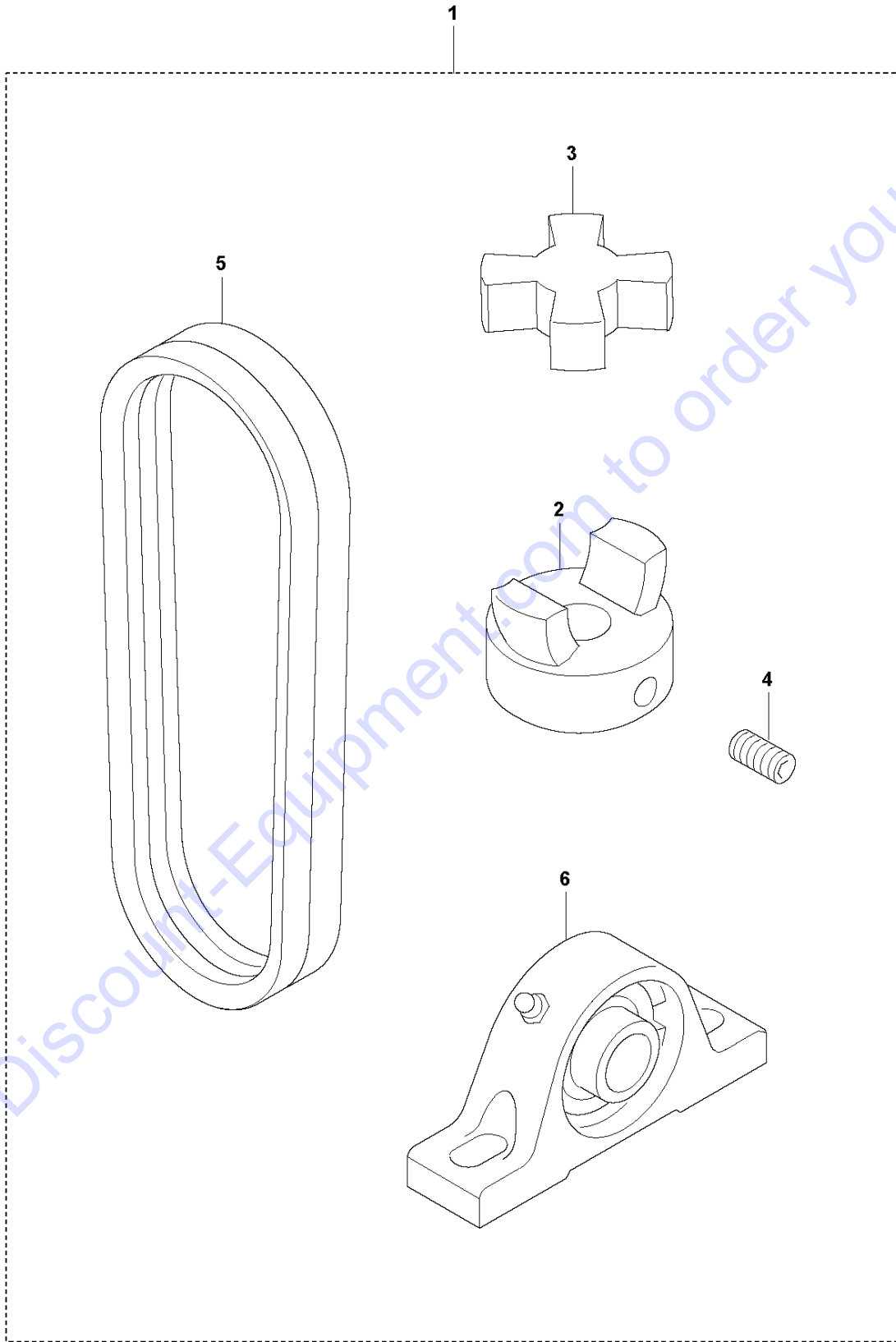
SERVICE KIT - HONDA BT 90, 967941102, 967941103, 967941108, 967941104, 967941116,
967941105, 967941106, 967941107, 967941109, 967941110, 967941111, 2019-09

Ref	Part No	Description	Remark	QTY	KIT
1	594 20 04-01	SERVICE KIT		1	
2	594 57 51-01	AIR FILTER		1	1
3	595 04 89-01	GASKET		1	1
4	595 04 91-01	ROPE		1	1
5	594 54 43-01	SPARK PLUG		1	1
6	594 76 03-01	GASKET		1	1

Go to Discount-Equipment.com to order your parts

DRIVE UNIT SERVICE KIT - ELECTRIC / GASOLINE BT 90, 967941102, 967941103, 967941108, 967941104, 967941116, 967941105, 967941106, 967941107, 967941109, 967941110, 967941111, 2019-09

X BT 90
DRIVE UNIT SERVICE KIT - ELECTRIC / GASOLINE

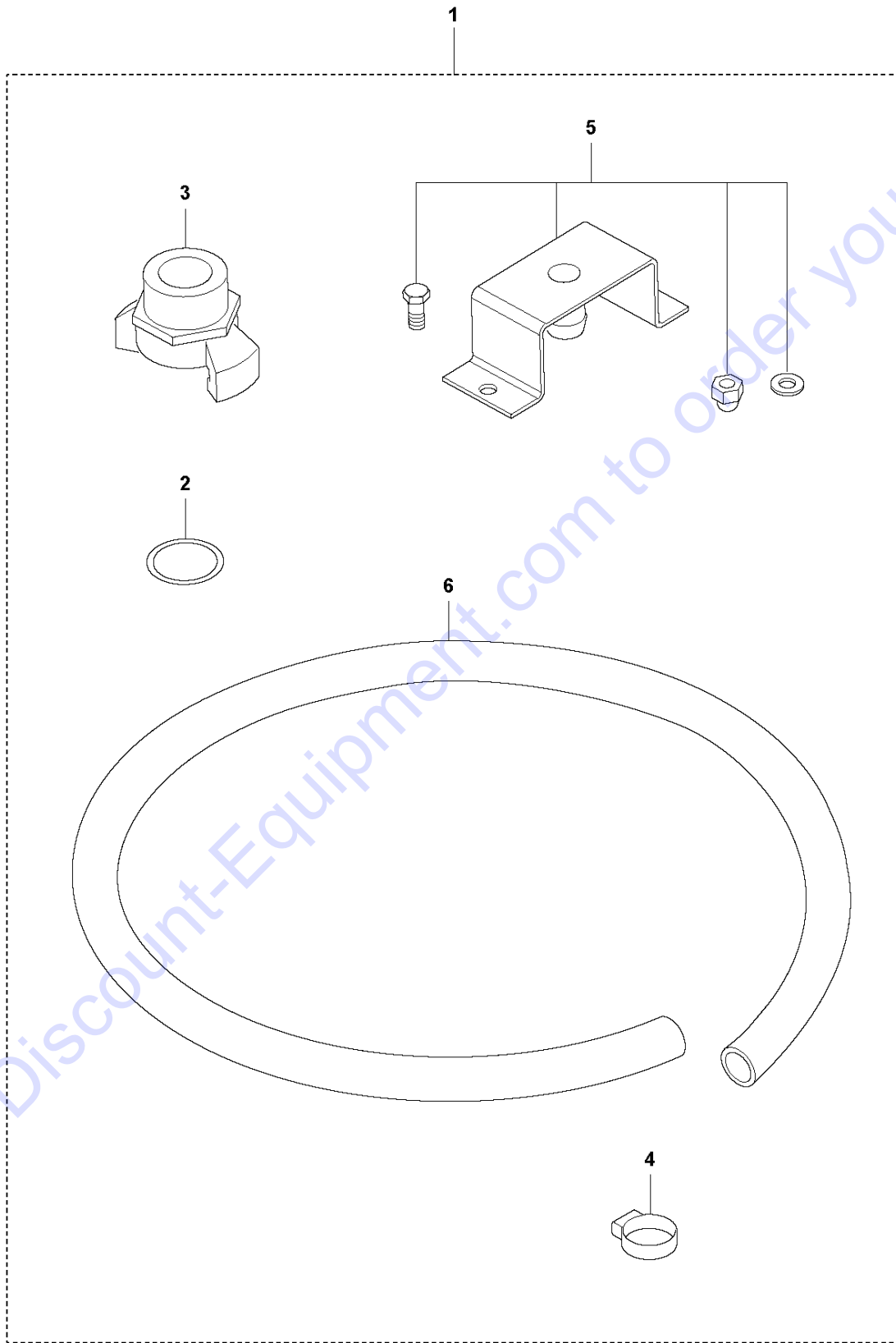


DRIVE UNIT SERVICE KIT - ELECTRIC / GASOLINE BT 90, 967941102, 967941103, 967941108, 967941104, 967941116, 967941105, 967941106, 967941107, 967941109, 967941110, 967941111,

Ref	Part No	Description	Remark	QTY KIT	
1	594 39 46-01	SERVICE KIT		1	
2	594 39 19-01	COUPLING		1	1
3	594 39 23-01	CROSSBAR		4	1
4	594 39 27-01	SCREW	M10x20 ISO4029 45H	1	1
5	594 39 40-01	V-BELT		4	1
6	594 68 10-01	BEARING	UCP204	2	1

Go to Discount-Equipment.com to order your parts

Y BT 90
DRIVE UNIT SERVICE KIT - PNEUMATIC



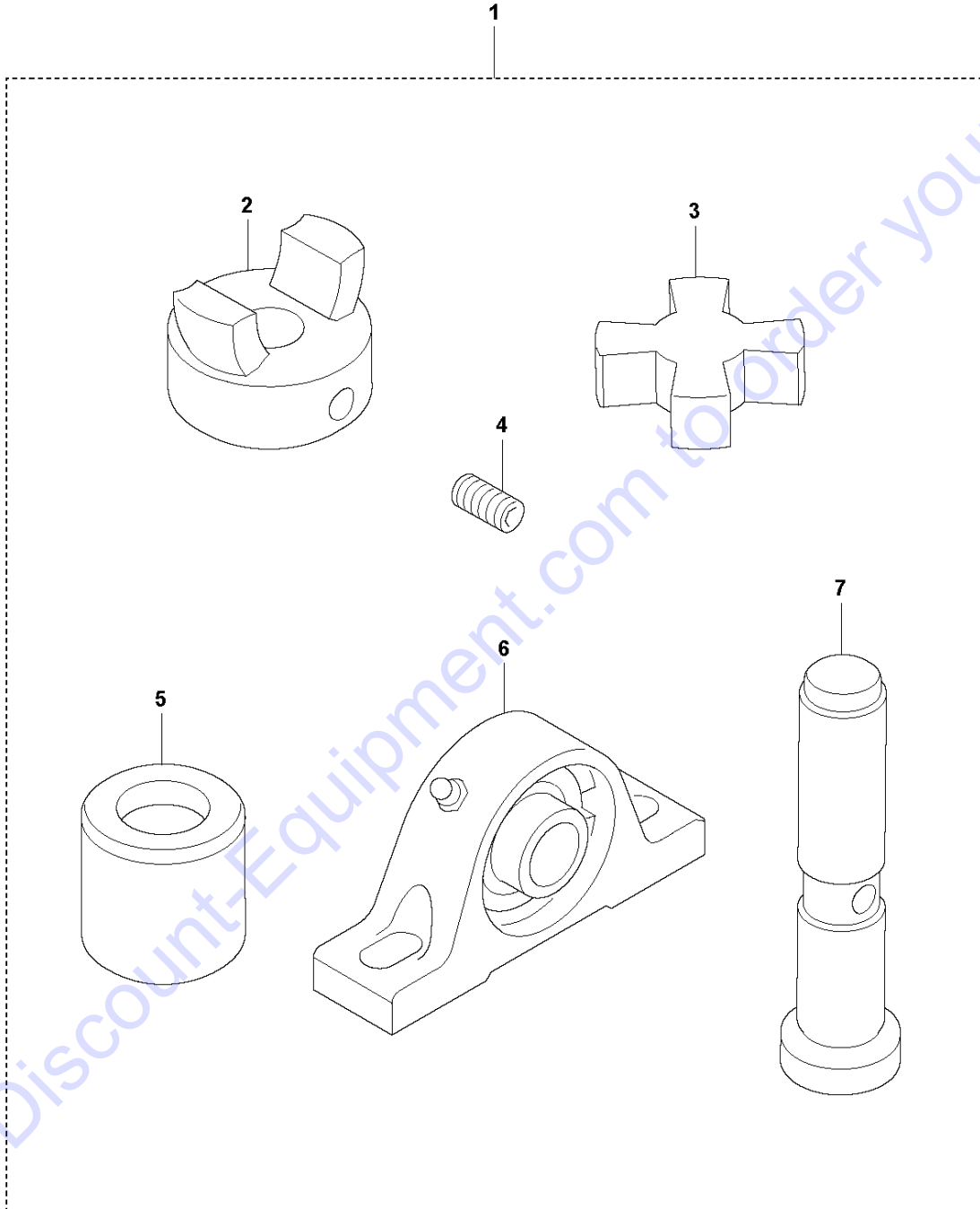
Go to Discount-Equipment.com to order your parts

DRIVE UNIT SERVICE KIT - PNEUMATIC BT 90, 967941102, 967941103, 967941108, 967941104, 967941116, 967941105, 967941106, 967941107, 967941109, 967941110, 967941111, 2019-09

Ref	Part No	Description	Remark	QTY	KIT
1	594 81 79-01	SERVICE KIT		1	
2	594 25 37-01	FILTER		2	1
3	594 25 53-01	COUPLING		1	1
4	594 81 78-01	CLAMP		2	1
5	595 16 66-01	PLUG		1	1
6	594 38 84-07	HOSE		1	1

Go to Discount-Equipment.com to order your parts

Z BT 90
SECTIONS KIT - ELECTRIC / GASOLINE

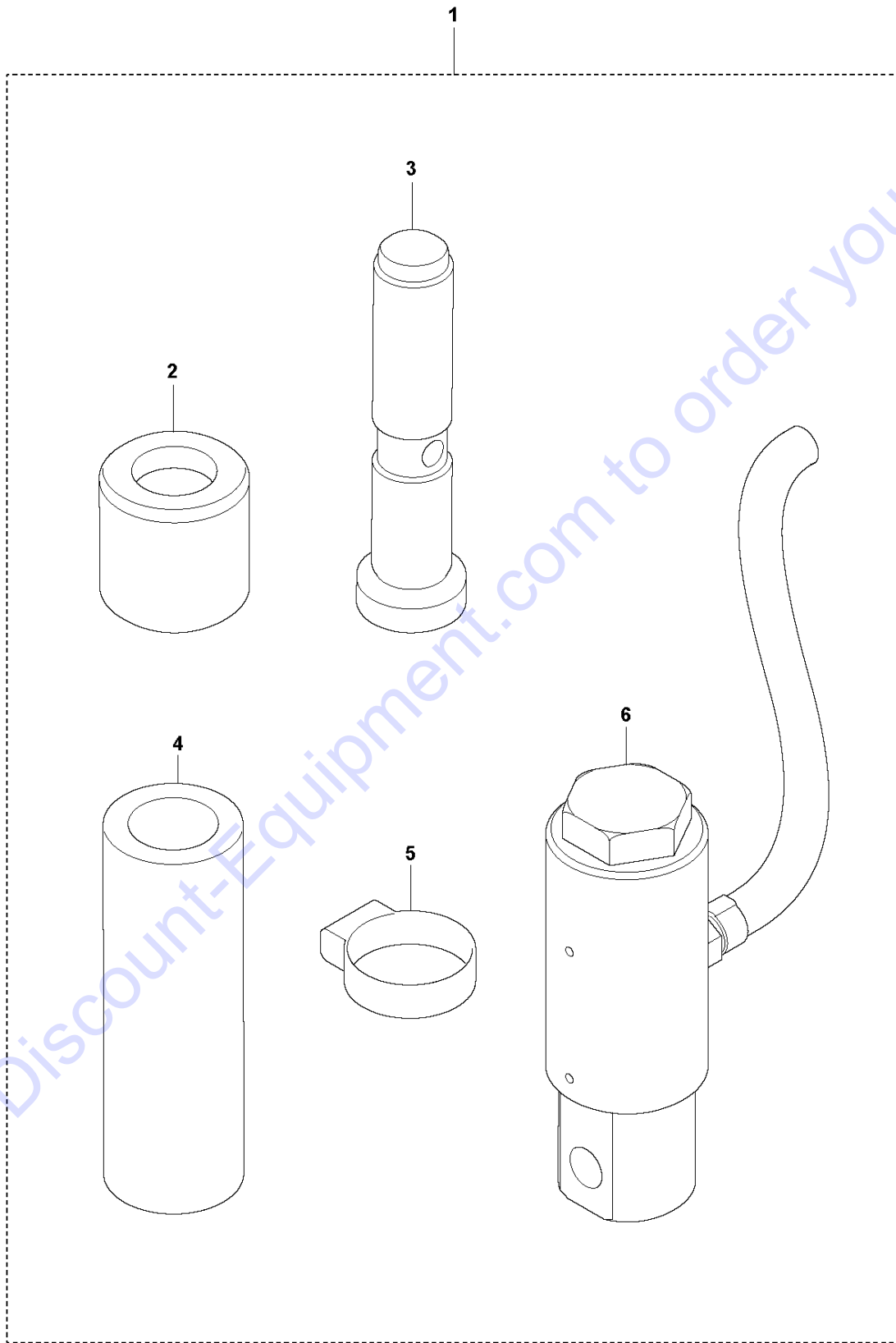


SECTIONS KIT - ELECTRIC / GASOLINE BT 90, 967941102, 967941103, 967941108, 967941104, 967941116, 967941105, 967941106, 967941107, 967941109, 967941110, 967941111, 2019-09

Ref	Part No	Description	Remark	QTY KIT	
1	595 16 50-01	BEAM		1	
2	594 39 19-01	COUPLING		1	1
3	594 39 23-01	CROSSBAR		4	1
4	594 39 27-01	SCREW	M10x20 ISO4029 45H	1	1
5	594 39 20-01	SLEEVE		1	1
6	594 68 10-01	BEARING	UCP204	2	1
7	594 39 21-01	SCREW		1	1

Go to Discount-Equipment.com to order your parts

AA BT 90
SECTIONS KIT - PNEUMATIC

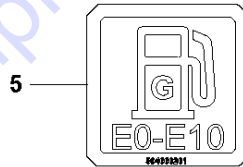
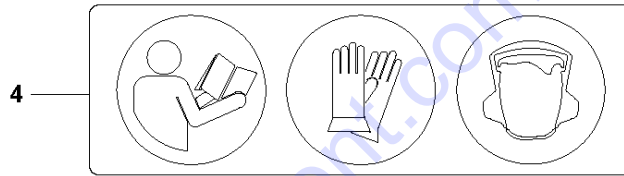
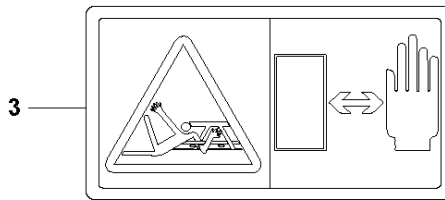


SECTIONS KIT - PNEUMATIC BT 90, 967941102, 967941103, 967941108, 967941104, 967941116, 967941105, 967941106, 967941107, 967941109, 967941110, 967941111, 2019-09

Ref	Part No	Description	Remark	QTY KIT	
1	595 16 51-01	BEAM		1	
2	594 39 20-01	SLEEVE		1	1
3	594 39 21-01	SCREW		1	1
4	594 38 84-02	HOSE		2	1
5	594 81 78-01	CLAMP		4	1
6	594 39 33-01	DAMPER		2	1

Go to Discount-Equipment.com to order your parts

AB BT 90
DECALS



Go to Discount-Equipment.com to order your parts

DECALS BT 90, 967941102, 967941103, 967941108, 967941104, 967941116, 967941105,
967941106, 967941107, 967941109, 967941110, 967941111, 2019-09

Ref	Part No	Description	Remark	QTY KIT
1	577 46 90-01	DECAL		1
2	596 44 62-01	DECAL		1
3	595 48 00-01	LABEL		1
4	596 63 69-01	DECAL		1
5	594 66 02-01	LABEL		1
6	595 13 85-01	LABEL		1
7	596 76 13-01	DECAL		2
7	596 76 12-01	DECAL		2

Go to Discount-Equipment.com to order your parts

PARTS FINDER

**Search Website
by Part Number**



**Search Manual
Library For Parts
Manual & Lookup Part
Numbers – Purchase
or Request Quote**

Search Manuals

Enter your information to help us find the right parts manual for your machine.

* Brand:

* Model:

* Serial:

* Part Number:

SEARCH

**Can't Find Part or
Manual? Request Help
by Manufacturer,
Model & Description**

Parts Order Form

Please fill in the following information to help us find the right part for your machine.

Manufacturer:	<input type="text"/>
Model:	<input type="text"/>
Description:	<input type="text"/>
Part Number:	<input type="text"/>
Quantity:	<input type="text"/>
Notes:	<input type="text"/>

Submit

Discount-Equipment.com is your online resource for quality parts & equipment.

Florida: **561-964-4949** Outside Florida TOLL FREE: **877-690-3101**

Need parts?

Click on this link: <http://www.discount-equipment.com/category/5443-parts/> and choose one of the options to help get the right parts and equipment you are looking for. Please have the machine model and serial number available in order to help us get you the correct parts. If you don't find the part on the website or on one of the online manuals, please fill out the request form and one of our experienced staff members will get back to you with a quote for the right part that your machine needs.

We sell worldwide for the brands: Genie, Terex, JLG, MultiQuip, Mikasa, Essick, Whiteman, Mayco, Toro Stone, Diamond Products, Generac Magnum, Airman, Haulotte, Barreto, Power Blanket, Nifty Lift, Atlas Copco, Chicago Pneumatic, Allmand, Miller Curber, Skyjack, Lull, Skytrak, Tsurumi, Husquvarna Target, Stow, Wacker, Sakai, Mi-T-M, Sullair, Basic, Dynapac, MBW, Weber, Bartell, Bennar Newman, Haulotte, Ditch Runner, Menegotti, Morrison, Contec, Buddy, Crown, Edco, Wyco, Bomag, Laymor, EZ Trench, Bil-Jax, F.S. Curtis, Gehl Pavers, Heli, Honda, ICS/PowerGrit, IHI, Partner, Imer, Clipper, MMD, Koshin, Rice, CH&E, General Equipment, Amida, Coleman, NAC, Gradall, Square Shooter, Kent, Stanley, Tamco, Toku, Hatz, Kohler, Robin, Wisconsin, Northrock, Oztec, Toker TK, Rol-Air, APT, Wylie, Ingersoll Rand / Doosan, Innovatech, Con X, Ammann, Mecalac, Makinex, Smith Surface Prep, Small Line, Wanco, Yanmar