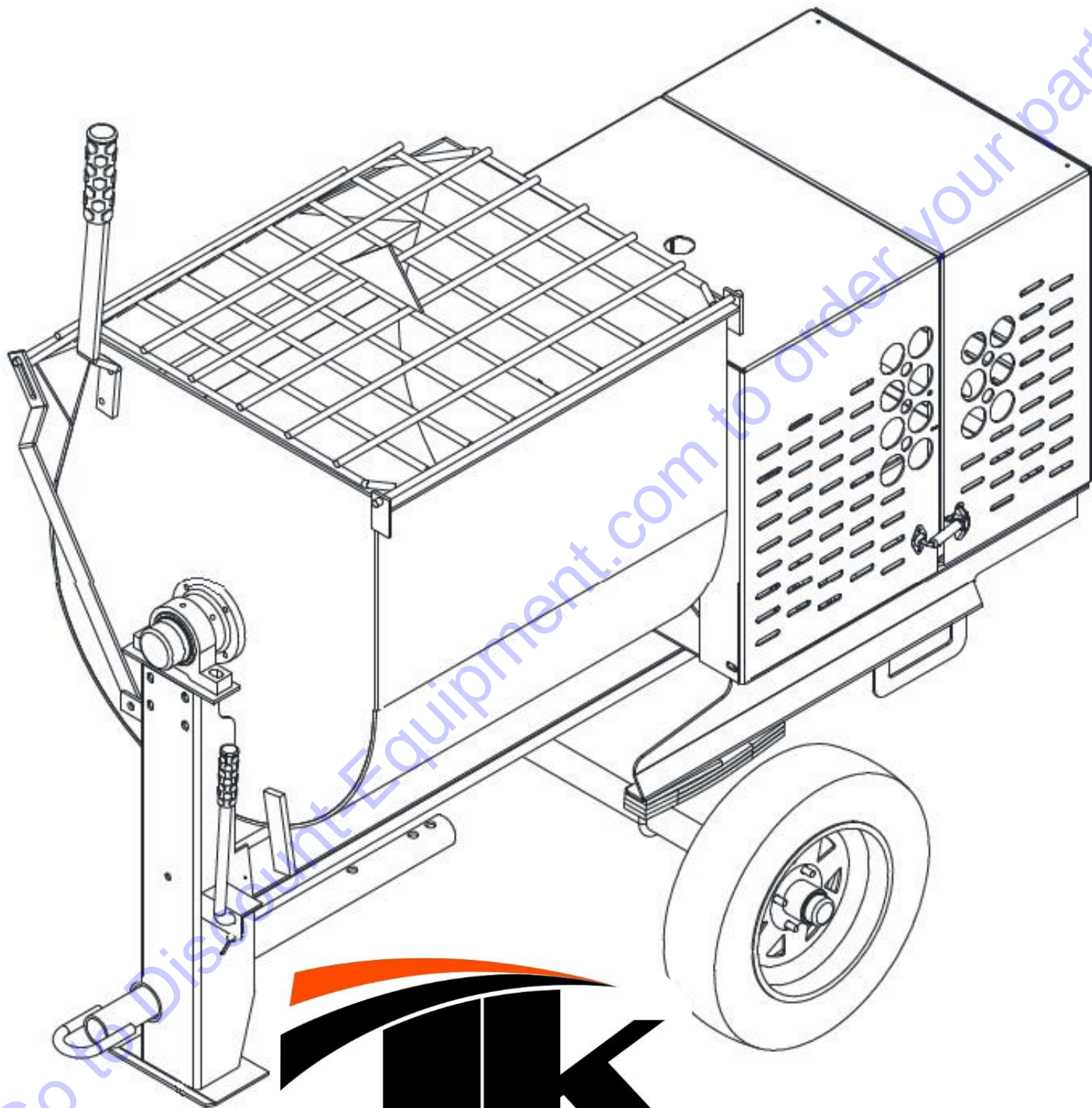


HM12 – HM16 PARTS BREAKDOWN



PARTS FINDER

**Search Website
by Part Number**



**Search Manual
Library For Parts
Manual & Lookup Part
Numbers – Purchase
or Request Quote**

Search Manuals

Enter your information to help us find the right parts manual for your machine.

* Brand:

* Model:

* Serial:

* Part Number:

SEARCH

**Can't Find Part or
Manual? Request Help
by Manufacturer,
Model & Description**

Parts Order Form

Please fill in the following information to help us find the right part for your machine.

Manufacturer:	<input type="text"/>
Model:	<input type="text"/>
Description:	<input type="text"/>
Part Number:	<input type="text"/>
Quantity:	<input type="text"/>
Notes:	<input type="text"/>

Submit

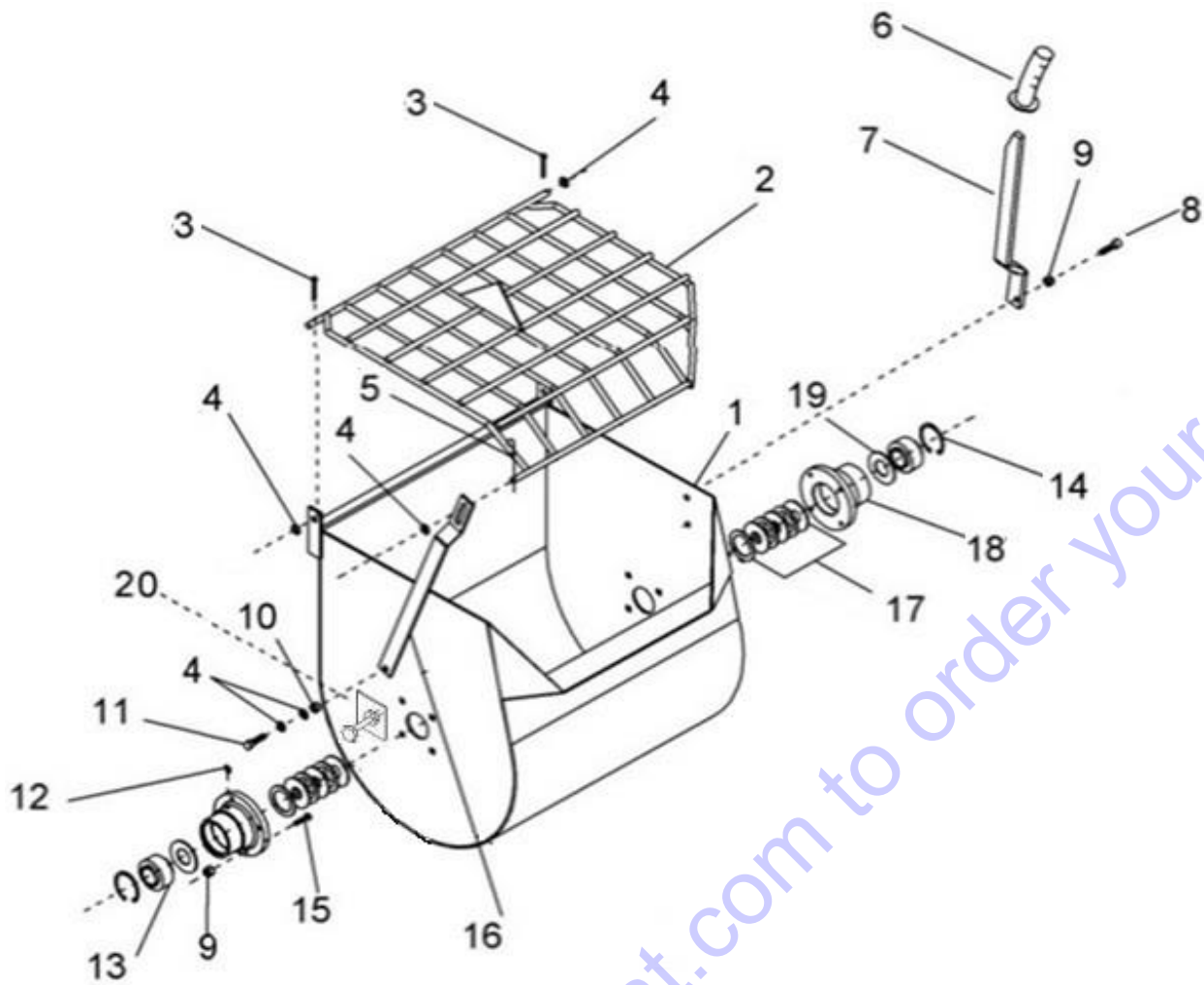
Discount-Equipment.com is your online resource for quality parts & equipment.

Florida: **561-964-4949** Outside Florida TOLL FREE: **877-690-3101**

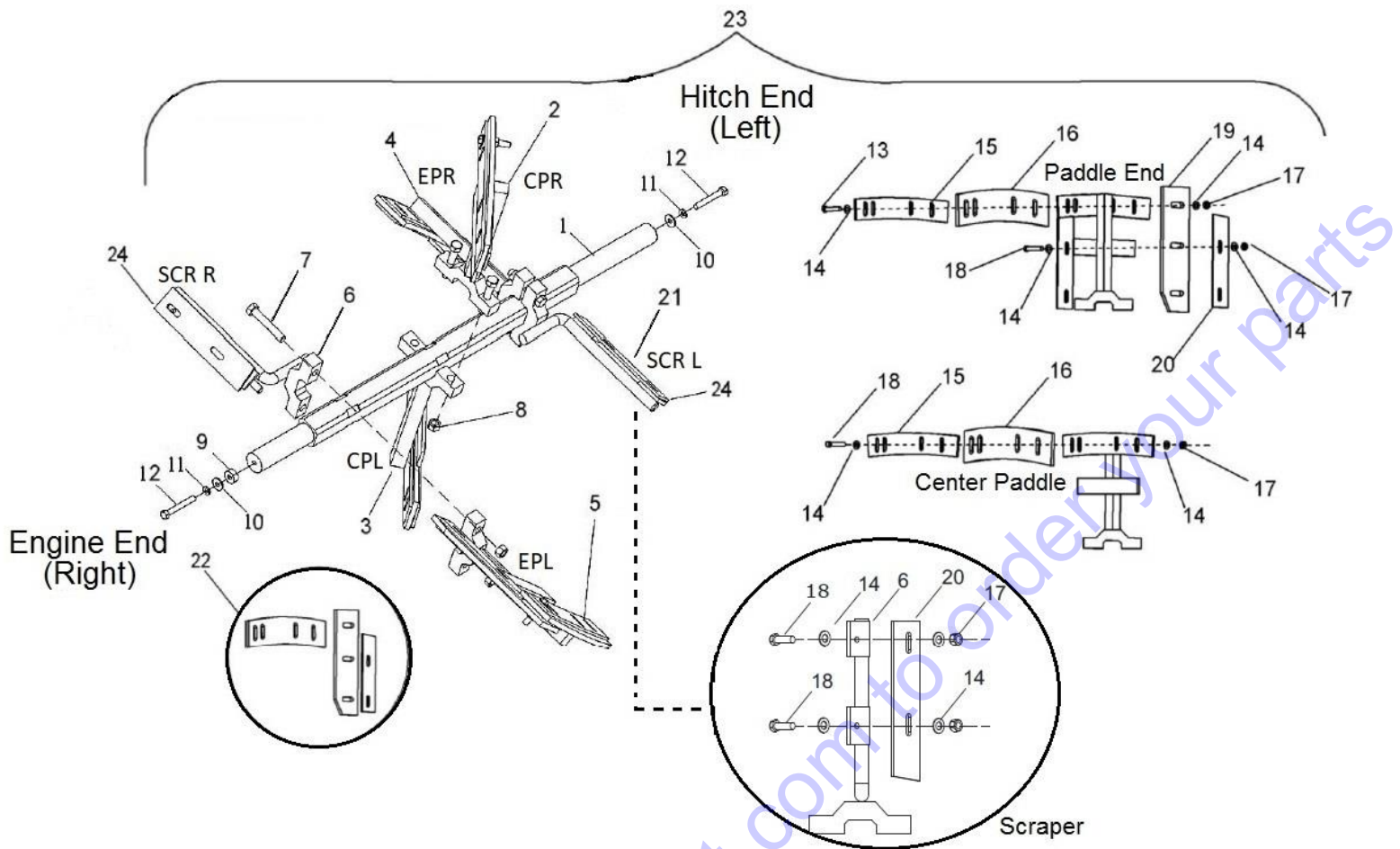
Need parts?

Click on this link: <http://www.discount-equipment.com/category/5443-parts/> and choose one of the options to help get the right parts and equipment you are looking for. Please have the machine model and serial number available in order to help us get you the correct parts. If you don't find the part on the website or on one of the online manuals, please fill out the request form and one of our experienced staff members will get back to you with a quote for the right part that your machine needs.

We sell worldwide for the brands: Genie, Terex, JLG, MultiQuip, Mikasa, Essick, Whiteman, Mayco, Toro Stone, Diamond Products, Generac Magnum, Airman, Haulotte, Barreto, Power Blanket, Nifty Lift, Atlas Copco, Chicago Pneumatic, Allmand, Miller Curber, Skyjack, Lull, Skytrak, Tsurumi, Husquvarna Target, Stow, Wacker, Sakai, Mi-T-M, Sullair, Basic, Dynapac, MBW, Weber, Bartell, Bennar Newman, Haulotte, Ditch Runner, Menegotti, Morrison, Contec, Buddy, Crown, Edco, Wyco, Bomag, Laymor, EZ Trench, Bil-Jax, F.S. Curtis, Gehl Pavers, Heli, Honda, ICS/PowerGrit, IHI, Partner, Imer, Clipper, MMD, Koshin, Rice, CH&E, General Equipment, Amida, Coleman, NAC, Gradall, Square Shooter, Kent, Stanley, Tamco, Toku, Hatz, Kohler, Robin, Wisconsin, Northrock, Oztec, Toker TK, Rol-Air, APT, Wylie, Ingersoll Rand / Doosan, Innovatech, Con X, Ammann, Mecalac, Makinex, Smith Surface Prep, Small Line, Wanco, Yanmar



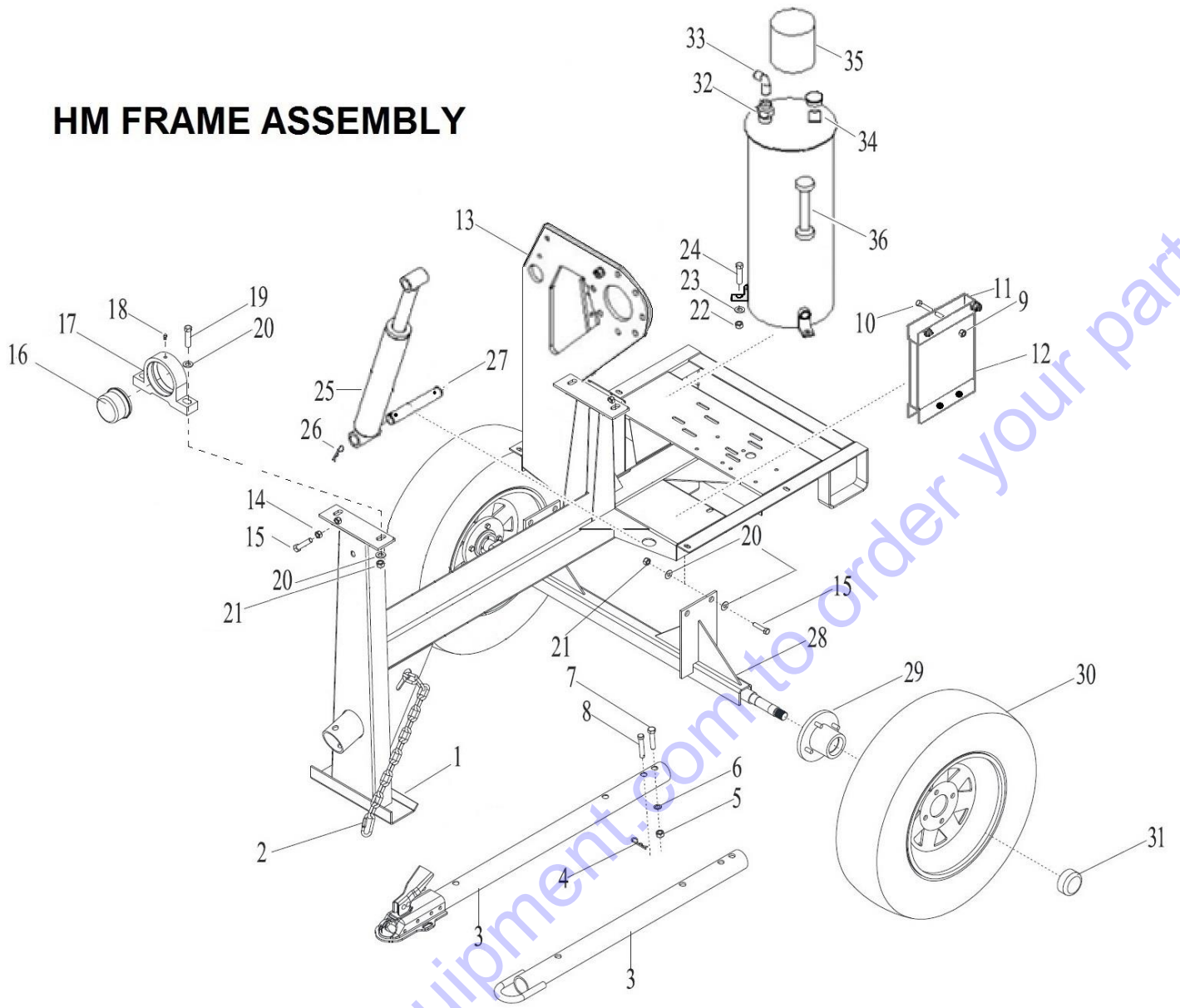
DRUM ASSEY BREAK DOWN					
ITEM	SKU #	PART #	DESCRIPTION	HM12	HM16
1	0224CO01TQ	T711	DRUM HM12 40" - T711 (NEW)	1	
1	0222CO01TQ	T811	DRUM HM16 43" - T811 (NEW)		1
1	0224KI01TQ	T700	DRUM ASSEMBLY COMPLETE HM12 40" - T700 (NEW)	1	
1	0222KI01TQ	T800	DRUM ASSEMBLY COMPLETE HM16 43" - T800 (NEW)		1
2		T605	DRUM GRID W/ BAG CUTTER HM12 - T605	1	
2	0222CO03RJ	T723	DRUM GRID W/ BAG CUTTER HM16		1
3	CHA 316 2	T111	GRID PIN COTTER, 3/16" X 2" - SC3116200GAL - T111	2	2
4	RNPX012GAL	T105	PLAIN WASHER 1/2" - T105	5	5
5	0111SR01LZ	T110	GRID/HITCH HAIR LOCK PIN 3/16" - T110	3	3
6	0000RF01RJ-1	T166-1	DRUM DUMPING HANDLE GRIP - 139350 - T166-1 (FLAT)	1	1
7	0200CO01TQ	T168	DRUM DUMPING HANDLE W/ GRIP - T168	1	1
8	TOCD038112	T176	HEX BOLT 3/8" X 1-1/2" - T176 - C141 - 226230	2	2
9	TCCS038GAL	T114	HEX LOCK NUT 3/8" - 227830 - T114 - C142	8	8
10	TCCS012GAL	T106	HEX LOCK NUT 1/2" - T106 - 227854 - C304	1	1
11	TOCD012134	T189	HEX BOLT HD 1/2" X 1 3/4" - T189 - 226660	1	1
12	0000GRH045	T102	DRUM BEARING, GREASE FITTING 45 DEG - T102 - 110689	2	2
13	0000BA20824	T175	BALL BEARING, 1746208-108 - 110450 - T175 (W/O GRS FITTING)	2	2
14	SM00300INT	T177	DRUM TRUNNION RETAINING RING 3" - T177	2	2
15	TOCL038112	T174	CARRIAGE BOLT 3/8" X 1-1/2" GR2 ZP - 117771 - 117771 - T174	8	8
16	0204SO01RJ	T589	MM12 DRUM DUMPING LOCK BAR - T589	1	1
17	0200KI01TN	T172	DRUM HUB SEALS KIT (ONE END) - T172	2	2
18	0200CO01TN	T173-2	TRUNNION 4 HOLES FOR 3/8" SCREWS - T173-2	1	1
19	0200LA01TN	T169	DRUM HUB STEEL SPACER - T169	2	2
20	TOCD100412	N/A	HEX BOLT HD, 1 X 4-1/2" W/ WELD SUPPORT FOR HYD PISTON	1	1



PADDLE ASSEMBLY					
ITEM	SKU #	PART #	DESCRIPTION	HM12	HM16
1	0222CC01CH	T741	SQUARE MAIN SHAFT 1-3/4" X 52-3/4" HM12 (NEW DESIGN) - T741 (FOR PIN)	1	
	0206CC01CH		SQUARE MAIN SHAFT 1-3/4" X 55-1/4" HM16 NEW (FOR PIN)		1
2	0200CO01AS-1	T306-2	CENTER PADDLE RIGHT ARM MM8/MM10/HM12/HM16 (1" GRIP) - T306-2	1	1
3	0200CO02AS-1	T308-2	CENTER PADDLE LEFT ARM MM8/MM10/HM12/HM16 (1" GRIP) - T308-2	1	1
4	0200CO03AS-1	T314-2	HITCH END, END PADDLE RIGHT ARM MM8/MM10/HM12/HM16 (1" GRIP) - T314-2	1	1
5	0200SO03AS-1	T309-2	ENGINE END, END PADDLE LEFT ARM MM8/MM10/HM12/HM16 (1" GRIP) - T309-2	1	1
6	0222CO01SR	T713	ENGINE END, END SCRAPER LEFT HM12 - HM16 (1" GRIP) - T713	1	1
7	TOCD012312	N/A	HEX BOLT HD 1/2 X 3-1/2 (1" GRIP PADDLES) - 120520 - 226745	6*	6*
8	TCCS012GAL	T106	HEX LOCK NUT 1/2" - T106 - 227854 - C304	6	6
9	0200TU01FC	T413	MAIN SHAFT BUSHING - T413	1	1
13	TOCD038200	T145	HEX BOLT HD, GR5 3/8" X 2" - 226250 - T145 - C158	4	4
14	RNPX038GAL	T112	PLAIN WASHER 3/8" - T112 - C139 - 174986 - 701032 - C140	40	40
15	0201RF01AS	T180	CENTER PADDLE RUBBER BLADE MM6-MM12 - T186 - T307 - T312	4	4
16	0200SO01AS	T181	CENTER PADDLE STEEL BLADE MM6 - MM12 - T181 - T187 - T313	4	4
17	TCCS038GAL	T114	HEX LOCK NUT 3/8" - 227830 - T114 - C142	20	20
18	TOCD038112	T176	HEX BOLT 3/8" X 1-1/2" - T176 - C141 - 226230	18	18
19	0200RF02AS	T310	END PADDLE SIDE RUBBER BLADE MM8/MM10/HM12/HM16 - T310	2	2
20	0200SO02AS	T311	END PADDLE SIDE STEEL BLADE MM80/MM12 - T311	2	2
21	0222CO02SR	T714	HITCH END, END SCRAPER RIGHT HM12/HM16 (1" GRIP) - T714	1	1
22	0200KI03AS	T301	RUBBER BLADE KIT MM8-MM12-HM12	1	1

COMPLETE PADDLE/RUBBER KITS					
#	SKU #	PART #	DESCRIPTION	HM12	HM16
23	0200KI01AS-H12	T306-H12	COMPLETE PADDLE SET HM12 - HM16 (T306-1 + SCRAPERS) (1" GRIP) - T306-H12	1	1
*	0205KI01ES	T742	HM12S SPIRAL BLADE KIT - T742	1	
*	0206KI01ES	T761	HM16S SPIRAL BLADE KIT - T761		1

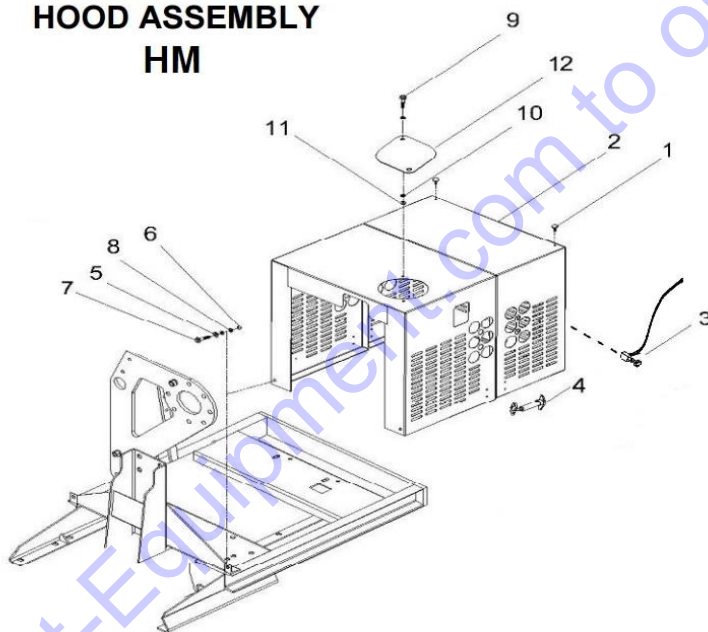
HM FRAME ASSEMBLY



HM FRAME ASSEY						
#	SKU #	PART #	DESCRIPTION ENGLISH	HM12	HM16	
1H	ASK FOR #	T707H	FRAME HM12 - T707	1		
1H	ASK FOR #	T707-H16	FRAME HM16 - T707-1		1	
2H	CAD3516GAL	T501	5/16 SAFETY CHAIN W/ OVAL SNAPS T501 - 609686 - 701012 - CA03316GAL	1	1	
3H	0000CO03LZ	T118-V	PINTLE HITCH VERTICAL HOLE - 702069 - T118 - C193	1	1	
3H	0000CO04LZ	T119-V	2" BALL HITCH VERTICAL HOLE - 702070 - T119	1	1	
3H	0219CO01LZ	T119-BD	BULLDOG HITCH T119-BD (VERTICAL HOLE) - T119-BD	1	1	
4H	0111SR01LZ	T110	3/6" COTTER PIN CP-85H - SR00036EXT - T110 - 134955	1	1	
5	TCFN058GAL	T124-1	TOWING HITCH, HEX NUT, 5/8 NF - T124-1 - 701033	1	1	
6	RNRX058GAL	T123-1	TOWING HITCH, SPRING WASHER 5/8" - T123-1 - 701032	1	1	
7	TOFD058312	T122-1	TOWING HITCH, HEX HEAD SCREW 5/8" X 3-1/2" - T122-1 - 701035	1	1	
8	TOFD058312-A	T121-1	TOWING HITCH, LOCK PIN - T121-1 - 701031	1	1	
9	TCCS056GAL	T148	HEX LOCK NUT 5/16" - T148 - 227821	2	2	
10H	TOCD056300	T201	HEX BOLT HD 5/16" X 3" - 701009 - T201	2	2	
11H	ASK FOR #	412167	SPACER, 6PR-8P/HM12-HM16	4	4	
12H	ASK FOR #	412902	HYDRAULIC OIL COOLER 4FZ0801C-7.5 X 7.5	1	1	
13H	ASK FOR #	412810	ARM, REACTION 12SH-S16SH/HM12-HM16	1	1	
14H	TCCN012GAL	T190	HEX LOCK NUT 1/2" - T190 - C178 (WELDED TO THE FRAME)	1	1	
15H	O220FG02AC	T684	ARM, LEVER 6SR-S12S/MM12G (R3) LEVER ARM - T684 - 496049	1	1	
16H	00PE056112	T683	PIN SPR SL STD 5/16 X 1 - 1/2" - 135282 - T683	2	2	
17H	00CHPI2300	T101	3" DRUM PILLOW BLOCK - T101	2	2	

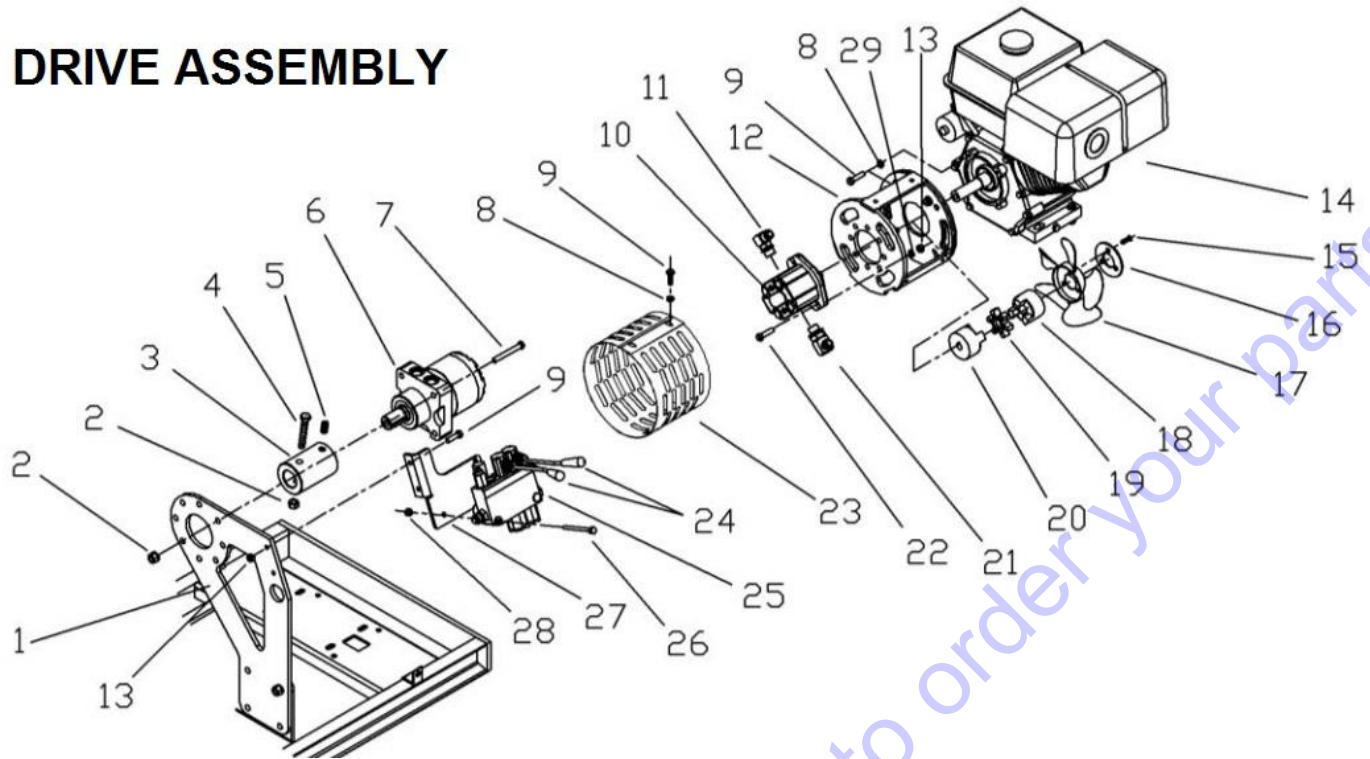
18H	0000GRH045	T102	DRUM BEARING, GREASE FITTING 45 DEG - T102 - 110689	2	2	
19H	TOCD012212	T104	HEX BOLT HD 1/2" X 2-1/2" - T104 - C146 - 226690	4	4	
20H	RNPX012GAL	T105	PLAIN WASHER 1/2" - T105 - C172 - 174470	17	17	
21H	TCCS012GAL	T106	HEX LOCK NUT 1/2" - T106 - 227854 - C304	9	9	
22H	TOCD038100	C138	HEX BOLT 3/8 X 1 - C138	3	3	
23H	RNRX038GAL	T113	LOCK WASHER 3/8 T113 - C144 -176230	3	3	
24H	TCCS038GAL	T114	HEX LOCK NUT 3/8" - 227830 - T114 - C142	3	3	
25H	412915	T722	CYLINDER, HYD 2" X 10" - T722 - 412915	1	1	
26H	SC018112GAL	135990	PIN, COTTER 3/16 X 1-1/2" - 135990	2	2	
27H	ASK FOR #	412855	CYLINDER PIN 1 X 6.5" - 412855	1	1	
28H	0224CO01RD	T425	AXLE NO HUBS FOR HYD MIXER - T425	1	1	
28H	0224CO01RD-1	T-425-1	AXLE WITH HUBS FOR HYDRAULIC MIXER HM12/HM16 - T425-1	1	1	
29H	0200KI03RD	T129-1	WHEEL HUB W/ 1" BRG L44643 & DUST CAP - 702071 - T129 - C135 (NEW STYLE)	2	2	
30H	0000CO01RD	T137	WHEEL & TIRE ASSY 165-80 R13" - T137 - 431081 - C136	2	2	
31H	0000RF10RD	T136-1	HIGH SPEED WHEELS HUB, DUST CAP (NEW STYLE) - T136-1	2	2	
32H	ASK FOR #	412948	HYD TANK FITTING	1	1	
33H	ASK FOR #	412919	ADAPTER 90° #8JICFEM/#8JIC ML	1	1	
34H	ASK FOR #		BREATHER FILTER-BF-12P-5 10MIC	1	1	
35H	ASK FOR #	HF6056	HYD FILTER (OPTIONAL) - HF6056	1	1	
36H	ASK FOR #	485115	SCREEN, SUCTION - 100 MESH 1" NPT	1	1	
37H	0224CO01AT	412801	RESERVOIR OIL ASSEMBLY (4 GALLONS)	1	1	

HOOD ASSEMBLY HM

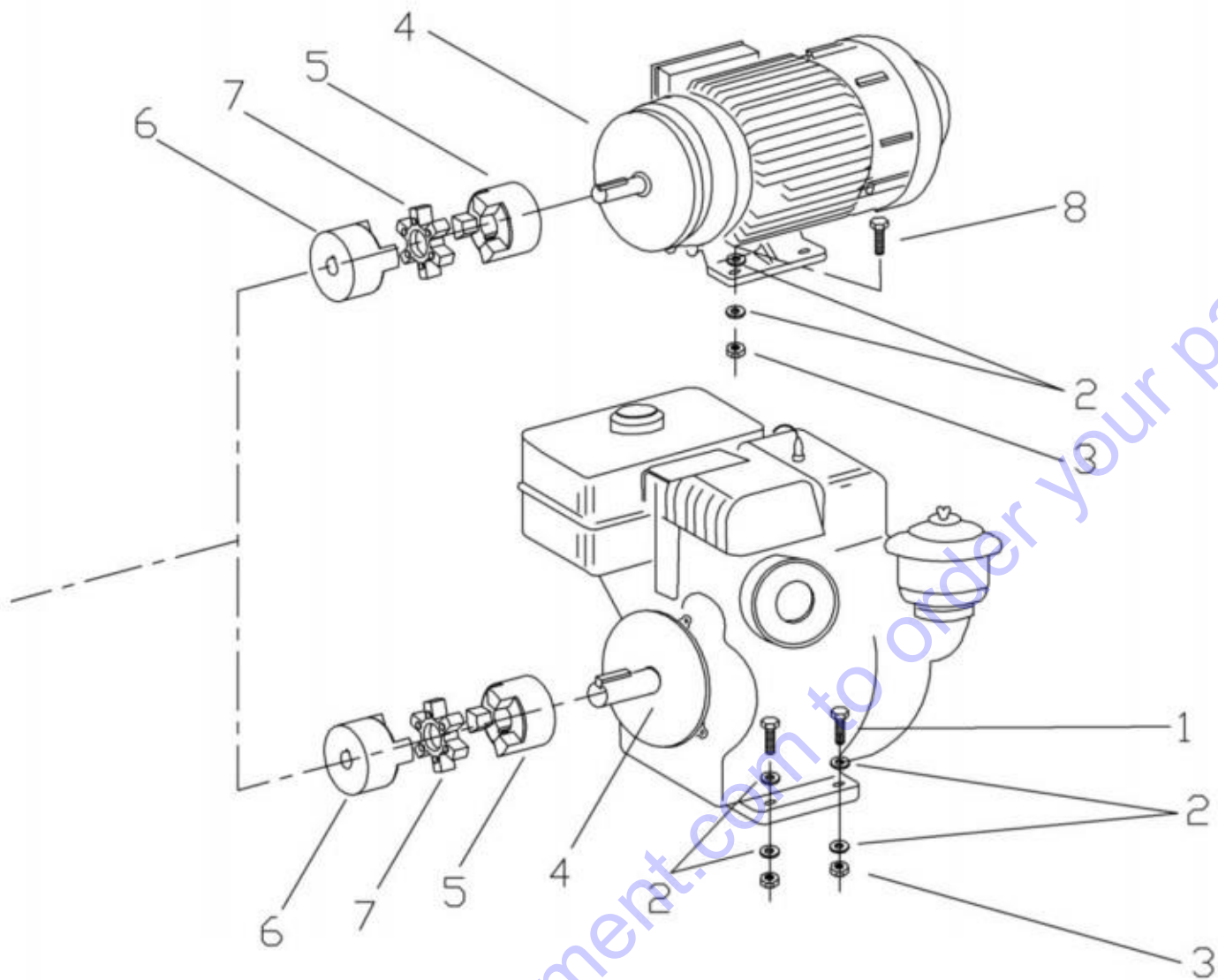


HOOD ASSEMBLY					
#	MANUF. #	PART #	DESCRIPTION	HM12	HM16
1	0000RF01GA	T158	RUBBER SCREW 1/4" FOR SHROUD - T158 - C159 - 201544	4	4
2	0222CO01GA	T686	HM12-HM16 SQUARE SHROUD ASSEY COMPLETE - T686	1	1
3	0200KI01GA	T193	ENGINE KILL SWITCH ASSEY RED (WITH HARNESS) 701007 - T193	1	1
3	0200KI01GA	T195-1	ENGINE N.O KILL SWITCH RED (NO HARNESS) - 816769AS - 112500 - T195-1 - 290100	1	1
4	0000RF02GA	T160	SHROUD HOOK ASSEMBLY - T160 - C161 - 701004 - 201543	2	2
5	RNPX038GAL	T112	PLAIN WASHER 3/8" - T112 - C139 - 174986 - 701032 - C140	8	8
6	TCCS038GAL	T114	HEX LOCK NUT 3/8" - 227830 - T114 - C142	4	4
7	TOCD038112	T176	HEX BOLT 3/8" X 1-1/2" - T176 - C141 - 226230	4	4
7H	TOCD038114	134990	HEX BOLT HD, 3/8 X 1-1/4 HX GR5 - 226220 - 134990	4	4
8H	RNPX012GAL	T105	PLAIN WASHER 1/2" - T105 - C172 - 174470	4	4
9H	RNPX056GAL	174990	PLAIN WASHER, 5/16 ID X 3/4 OD FL ZP - 174990	4	4
10H	TCCS056GAL	T148	HEX LOCK NUT 5/16" - T148 - 227821	2	2
11H	TOCD056100	225980	HEX BOLT, 5/16X 1 HX GR2 CP NC - 225980	2	2
12H	ASK FOR #		ENGINE SHROUD LID ACCESS	1	1

DRIVE ASSEMBLY

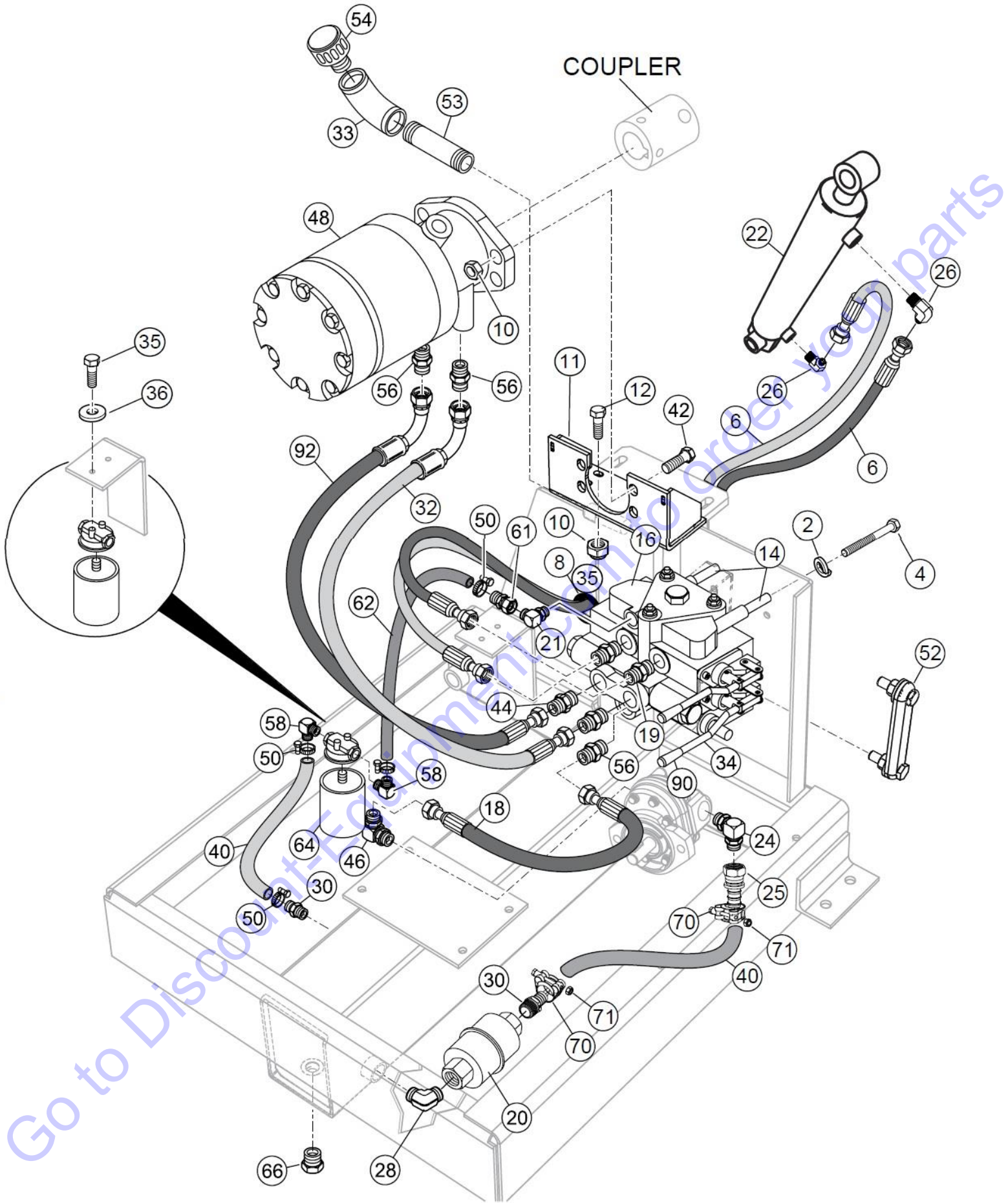


TRANSM. ASSEY HM					
#	MANUF. #	PART #	DESCRIPTION	HM12	HM16
1H	ASK FOR #	412810	ARM, REACTION 12SH-S16SH/HM12-HM16	1	1
2H	TCCS012GAL	T106	HEX LOCK NUT 1/2" - T106 - 227854 - C304	5	5
3H	0000CR01SH	701002	COUPLER, 1.5" W/PIN 1.5" W/KEY (3-3/4" LONG)	1	1
3H	ASK FOR #	412814	COUPLER, 1.5" W/PIN 1.5" W/KEY (4-1/2" LONG)	1	1
4H	TOCD012400	401006	HEX BOLT GR5 1/2 X 4 - 401006	1	1
5H	OPCR056038	228028	SET SCREW, 5/16 X 3/8 - 228028	1	1
6H	ASK FOR #	412950	MOTOR, HYD 31.95 CU IN/REV	1	1
7H	TOCD012212	226690	HEX BOLT HD 1/2" X 2-1/2" - T104 - C146 - 226690	4	4
8H	RNRX038GAL	T113	LOCK WASHER 3/8 T113 - C144 - 176230	6	6
9H	TOCD038100	C138	HEX BOLT 3/8 X 1" - C138	8	8
10H	ASK FOR #	412927	HYD PUMP .366 IN3 REV, GAS ENGINE	1	1
10H	ASK FOR #	412928	HYD PUMP .659 IN3 REV, ELEC MOTOR	1	1
11H	ASK FOR #	412926	ADAPTER, 90° #10 ORB MALE ~ #10 JIC	1	1
12H	ASK FOR #	412800	PUMP MOUNT W.A. "A" FLANGE	1	1
12H	1017CO01PM	702008	PUMP MOUNT W.A. ELECTRIC MOTOR	1	1
13H	TCCS038GAL	T114	HEX LOCK NUT 3/8" - 227830 - T114 - C142	4	4
14H	202012M	N/A	ENGINE HONDA 13 HP GX340	1	1
15H	ASK FOR #	142532	SCREW, 5/16X3/4 CS SOCK HD GR12	3	3
16H	ASK FOR #	412815	FAN, 2" BC 12H-16S	1	1
17H	ASK FOR #	412851	FAN, 8" CCW 8CC1375W38H15N1	1	1
18H	ASK FOR #	N/A	ENGINE COUPLER, SEE ENGINE OPTIONS	1	1
19H	ASK FOR #	N/A	COUPLER INSERT, SEE ENGINE OPTIONS	1	1
20H	ASK FOR #	N/A	HYD PUMP COUPLER, SEE OPTIONS	1	1
21H	ASK FOR #	412920	ADAPTER 90° #12 ORB MALE #10 JIC	1	1
22H	TOCD038200	226250	HEX BOLT HD, GR5 3/8" X 2" - 226250 - T145- C158	2	2
23H	ASK FOR #	412820	GUARD, 9" DIA.	1	1
*	1017LA01PM	702009	ELECTRIC MOTOR GUARD - 702009	1	1
24H	ASK FOR #	485704	HANDLE, HYD MIX VALVE - 485764	2	2
25H	ASK FOR #	412914	VALVE 2SPOOL PRESS COMP	1	1
26H	TOCD056300	701009	HEX BOLT HD 5/16" X 3" - 701009 - T201	2	2
27H	ASK FOR #	412818	BRACKET, VALVE MOUNTING	1	1
28H	TCCS056GAL	227821	HEX LOCK NUT 5/16" - T148 - 227821	2	2
29H	ASK FOR #	174986	PLAIN WASHER 3/8" - T112 - C139 - 174986 - 701032 - C140	4	4



ENGINE ASSEY BREAK DOWN

#	SKU #	PART #	DESCRIPTION	HM12	HM16
1H	TOCD038134	226240	HEX BOLT HD, 3/8 X 1-3/4 - 226240	4	4
2H	RNPX038GAL	174986	PLAIN WASHER 3/8" - T112 - C139 - 174986 - 701032 - C140	8	8
3H	TCCS038GA	227830	HEX LOCK NUT 3/8" - 227830 - T114 - C142	4	4
4H	202012M	N/A	ENGINE HONDA 13 HP O/A GX390UQAE6	1	1
5H	ASK FOR #	412856	COUPLER, L100 & L70 X 1" DIAM SHAFT	1	1
4H	ASK FOR #	219991MS	BALDOR MOTOR, 5HP, 3PH, 60HZ 575V, W/C-FACE (CEM3615T-5)	1	1
5H	ASK FOR #	412859	COUPLER, L100 X 1.125" DIA.	1	1
4H	ASK FOR #	219993	MOTOR, 7.5 HP, 3-575, EXT SHAFT, 1" C FI	1	1
5H	ASK FOR #	412871	COUPLER, L100 X 1.375" DIA.	1	1
4H	ASK FOR #	219999	MOTOR, 7.5 HP, 1-115/230, 1" C FLG	1	1
5H	ASK FOR #	412871	COUPLER, L100 X 1.375" DIA	1	1
4H	ASK FOR #	220000	MOTOR, 7.5 HP, 3-239/460, EXT SHAFT	1	1
5H	ASK FOR #	412871	COUPLER, L100 X 1.375" DIA	1	1
6H	ASK FOR #	412853	COUPLER, L100 X 5/8" DIA. ELEC MOTOR	1	1
6H	ASK FOR #	702007	COUPLER, L100 X 3/4" DIA. GAS ENGINE	1	1
7H	ASK FOR #	412854	INSERT, L099-100U BLUE	1	1
8H	ASK FOR #	226210	BOLT, HEX HD, 3/8 X 1 (TOCD038100)	4	4



HYD HOSES & FITTINGS					
#	SKU #	PART #	DESCRIPTION	HM12	HM16
1	ASK FOR #	412858	KIT, SPOOL DETENT BM40 BC40	1	1
2	ASK FOR #	412903	RESERVOIR TO PUMP BUTTOM HOSE 3/4 X 16" #10 JIC ~ #10 JIC	1	1
3	ASK FOR #	412904	VALVE TO PUMP SIDE HOSE, 1/2 X 18" #10 JIC ~ #10 JIC	1	1
4	ASK FOR #	412905	VALVE TO CYLINDER HOSE, 3/8 X 72" #6 JIC ~ #6 JIC	2	2
5	ASK FOR #	412906	VALVE TO MOTOR HOSE, 1/2 X 24" #10 JIC ~ #10 JIC	2	2
6	ASK FOR #	412907	COOLER TO VALVE & FILTER HOSE, 1/2 X 18" #8 JIC ~ #8 JIC	2	2
7	ASK FOR #	412909	CYLINDER VALVE ADAPTER 90° #4 NPT ~ #6 JIC	2	2
8	ASK FOR #	412910	VALVE ADAPTER, #8 ORB ~ #10 JIC	2	2
9	ASK FOR #	412911	VALVE ADAPTER, #12 ORB ~ #8 JIC	1	1
10	ASK FOR #	412912	FILTER ADAPTER, 45° #8 NPT ~ #8 JIC	1	1
11	ASK FOR #	412913	RESERVOIR BUTTOM, 45° #8 NPT ~ #10 JIC	1	1
12	ASK FOR #	412916	VALVE ADAPTER, #8 ORB ~ #6 JIC	2	2
13	ASK FOR #	412917	VALVE ADAPTER, PLUG #10	1	1
14	ASK FOR #	412918	VALVE ADAPTER, PLUG #8	1	1
15	ASK FOR #	412919	FILTER ADAPTER, 90° #8 JIC FERN ~ #8 JIC MALE	2	2
16	ASK FOR #	412922	HYD MOTOR ADAPTER, 45° #10 ORB ~ #10 JIC	2	2
17	ASK FOR #	412925	VALVE ADAPTER, HYD #8 ORB ~ #8 JIC	1	1
18	ASK FOR #	412932	RESERVOIR FITTING, PLUG, #8 NPT	2	2
19	ASK FOR #	485104	VALVE ADAPTER, 90° #10 JIC FERN ~ #10 JIC MALE	1	1
20	ASK FOR #	485115	RESERVOIR SCREEN, SUCTON - 100 MESH 1" NPT	1	1



www.discount-equipment.com

PARTS FINDER

**Search Website
by Part Number**



**Search Manual
Library For Parts
Manual & Lookup Part
Numbers – Purchase
or Request Quote**

Search Manuals

Enter your information to help us find the right parts manual for your machine.

* Brand:

* Model:

* Serial:

* Part Number:

SEARCH

**Can't Find Part or
Manual? Request Help
by Manufacturer,
Model & Description**

Parts Order Form

Please fill in the following information to help us find the right part for your machine.

Manufacturer:	<input type="text"/>
Model:	<input type="text"/>
Description:	<input type="text"/>
Part Number:	<input type="text"/>
Quantity:	<input type="text"/>
Notes:	<input type="text"/>

Submit

Discount-Equipment.com is your online resource for quality parts & equipment.

Florida: **561-964-4949** Outside Florida TOLL FREE: **877-690-3101**

Need parts?

Click on this link: <http://www.discount-equipment.com/category/5443-parts/> and choose one of the options to help get the right parts and equipment you are looking for. Please have the machine model and serial number available in order to help us get you the correct parts. If you don't find the part on the website or on one of the online manuals, please fill out the request form and one of our experienced staff members will get back to you with a quote for the right part that your machine needs.

We sell worldwide for the brands: Genie, Terex, JLG, MultiQuip, Mikasa, Essick, Whiteman, Mayco, Toro Stone, Diamond Products, Generac Magnum, Airman, Haulotte, Barreto, Power Blanket, Nifty Lift, Atlas Copco, Chicago Pneumatic, Allmand, Miller Curber, Skyjack, Lull, Skytrak, Tsurumi, Husquvarna Target, Stow, Wacker, Sakai, Mi-T-M, Sullair, Basic, Dynapac, MBW, Weber, Bartell, Bennar Newman, Haulotte, Ditch Runner, Menegotti, Morrison, Contec, Buddy, Crown, Edco, Wyco, Bomag, Laymor, EZ Trench, Bil-Jax, F.S. Curtis, Gehl Pavers, Heli, Honda, ICS/PowerGrit, IHI, Partner, Imer, Clipper, MMD, Koshin, Rice, CH&E, General Equipment, Amida, Coleman, NAC, Gradall, Square Shooter, Kent, Stanley, Tamco, Toku, Hatz, Kohler, Robin, Wisconsin, Northrock, Oztec, Toker TK, Rol-Air, APT, Wylie, Ingersoll Rand / Doosan, Innovatech, Con X, Ammann, Mecalac, Makinex, Smith Surface Prep, Small Line, Wanco, Yanmar