



SPARE PARTS LIST

EARLY ENTRY SAWS

SOFF CUT 5000, 2022-09



Go to Discount-Equipment.com to order your parts

PARTS FINDER

**Search Website
by Part Number**



**Search Manual
Library For Parts
Manual & Lookup Part
Numbers – Purchase
or Request Quote**

Search Manuals

Enter your information to help us find the right parts manual for your machine.

* Brand:

* Model:

* Serial:

* Part Number:

SEARCH

**Can't Find Part or
Manual? Request Help
by Manufacturer,
Model & Description**

Parts Order Form

Please fill in the following information to help us find the right part for your machine.

Manufacturer:	<input type="text"/>
Model:	<input type="text"/>
Description:	<input type="text"/>
Part Number:	<input type="text"/>
Quantity:	<input type="text"/>
Notes:	<input type="text"/>

Submit

Discount-Equipment.com is your online resource for quality parts & equipment.

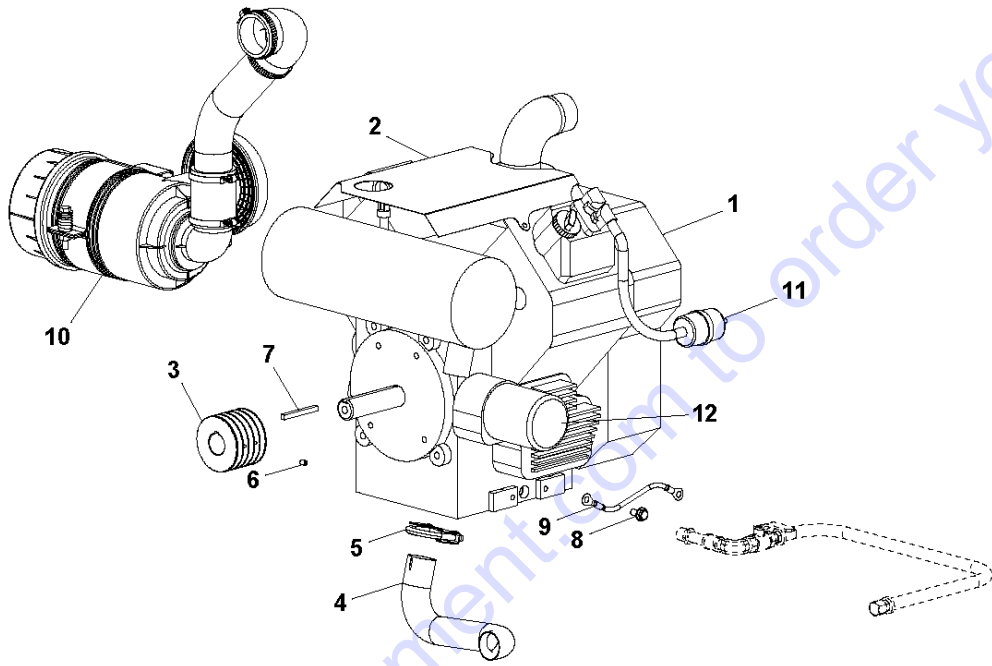
Florida: **561-964-4949** Outside Florida TOLL FREE: **877-690-3101**

Need parts?

Click on this link: <http://www.discount-equipment.com/category/5443-parts/> and choose one of the options to help get the right parts and equipment you are looking for. Please have the machine model and serial number available in order to help us get you the correct parts. If you don't find the part on the website or on one of the online manuals, please fill out the request form and one of our experienced staff members will get back to you with a quote for the right part that your machine needs.

We sell worldwide for the brands: Genie, Terex, JLG, MultiQuip, Mikasa, Essick, Whiteman, Mayco, Toro Stone, Diamond Products, Generac Magnum, Airman, Haulotte, Barreto, Power Blanket, Nifty Lift, Atlas Copco, Chicago Pneumatic, Allmand, Miller Curber, Skyjack, Lull, Skytrak, Tsurumi, Husquvarna Target, Stow, Wacker, Sakai, Mi-T-M, Sullair, Basic, Dynapac, MBW, Weber, Bartell, Bennar Newman, Haulotte, Ditch Runner, Menegotti, Morrison, Contec, Buddy, Crown, Edco, Wyco, Bomag, Laymor, EZ Trench, Bil-Jax, F.S. Curtis, Gehl Pavers, Heli, Honda, ICS/PowerGrit, IHI, Partner, Imer, Clipper, MMD, Koshin, Rice, CH&E, General Equipment, Amida, Coleman, NAC, Gradall, Square Shooter, Kent, Stanley, Tamco, Toku, Hatz, Kohler, Robin, Wisconsin, Northrock, Oztec, Toker TK, Rol-Air, APT, Wylie, Ingersoll Rand / Doosan, Innovatech, Con X, Ammann, Mecalac, Makinex, Smith Surface Prep, Small Line, Wanco, Yanmar

A SOFF CUT X5000
ENGINE ASSEMBLY



Go to Discount-Equipment.com to order your parts

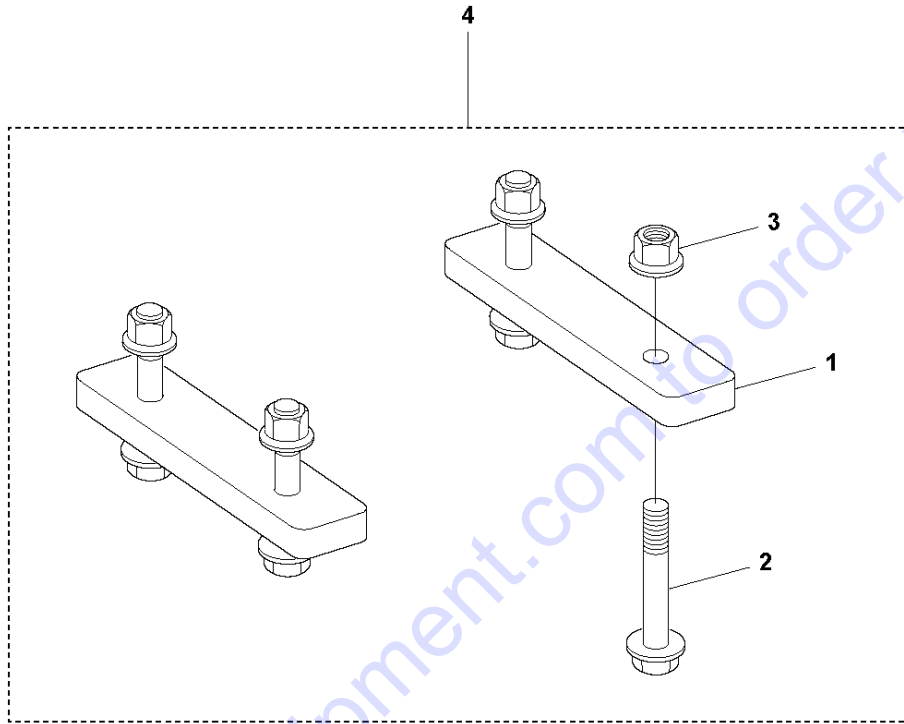
ENGINE

SOFF CUT 5000, 2022-09

Ref	Part No	Description	Remark	QTY KIT
1	505 66 65-02	ENGINE		1
2	510 32 37-01	SHROUD		1
3	510 32 60-01	PULLEY		1
4	510 32 59-01	EXHAUST		1
5	510 32 71-01	CLAMP		1
6	542 02 05-68	SCREW	SHSS, .25-20 x .375 HK	4
7	542 19 90-45	KEY		1
8	585 97 56-01	SCREW EHHFM	FLG HD M8 X 1.25 X 16	1
9	575 44 66-05	KIT		1
10	575 66 09-02	AIR FILTER ASSY		1
11	505 79 82-01	FUEL FILTER		1
12	505 79 74-01	OIL FILTER		1

Go to Discount-Equipment.com to order your parts

B SOFF CUT X5000
KIT, MOTOR MOUNT

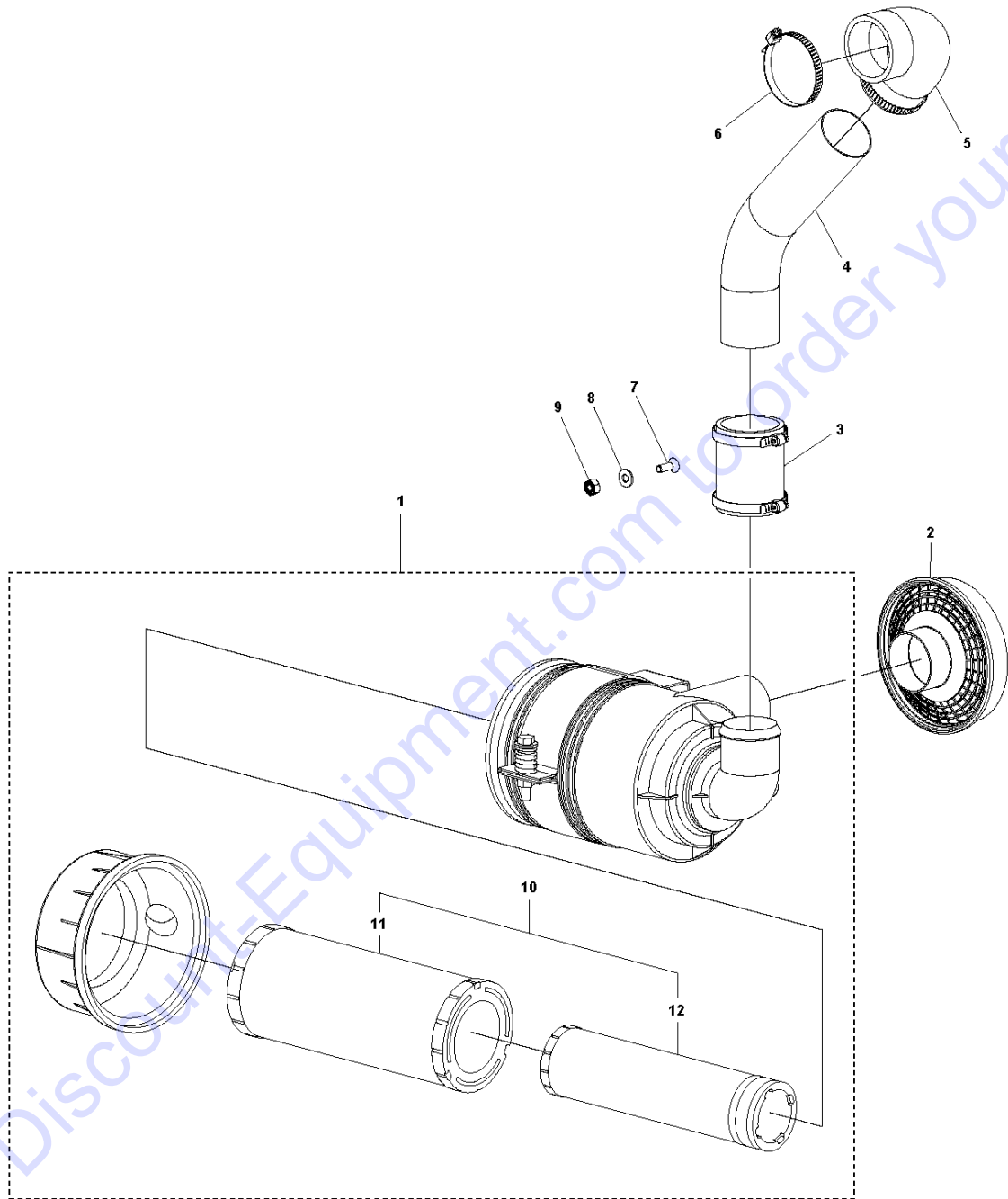


Go to Discount-Equipment.com to order your parts

Ref	Part No	Description	Remark	QTY	KIT
1	501 08 06-01	PLATE		2	4
2	581 24 33-01	SCREW EHHFM		4	4
3	576 64 57-05	NUT FLANGE		4	4
4	582 23 87-01	MOTOR KIT		1	

Go to Discount-Equipment.com to order your parts

C SOFF CUT X5000
INTAKE SYSTEM ASSEMBLY



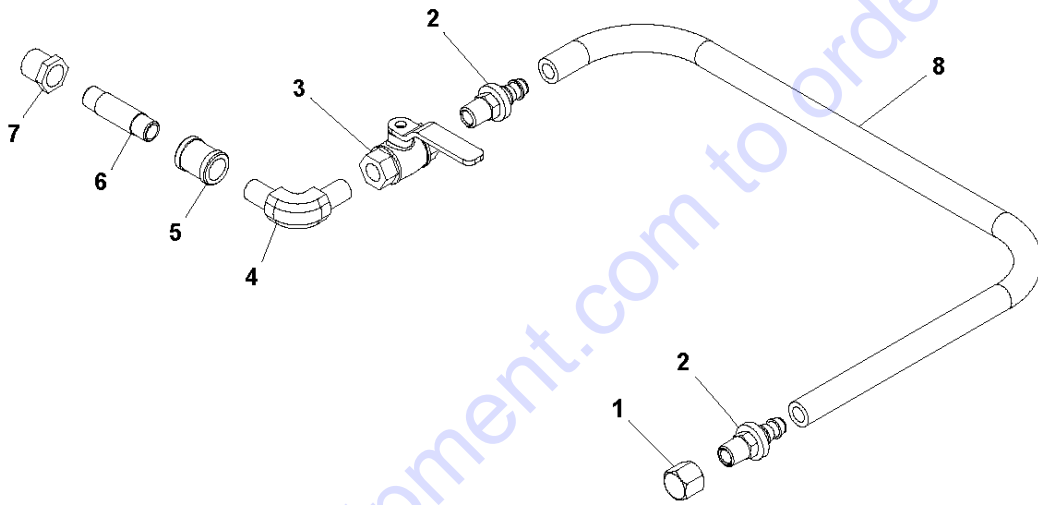
INTAKE SYSTEM

SOFF CUT 5000, 2022-09

Ref	Part No	Description	Remark	QTY	KIT
1	505 83 61-01	AIR CLEANER	Kit, Incl. canister, cap, inner filter & outer filter.	1	
2	505 83 63-01	HOOD		1	
3	575 65 42-03	HOSE		1	
4	510 32 39-01	INTAKE ELBOW		1	
5	505 74 50-02	ELBOW		1	
6	542 16 66-31	HOSE CLAMP	Worm drive SAE36	4	
7	505 62 86-01	SCREW		2	
8	505 63 20-01	WASHER		2	
9	539 97 69-78	NUT		2	
10	536 79 59-01	DECAL	Air filter kit (air filter 1-pack)	1	
10	505 48 23-06	FILTER	Air filter kit (2 inner filters & 2 outer filters)	1	
11	505 79 80-01	AIR FILTER		1	1, 10
12	505 79 81-01	AIR FILTER		1	1, 10

Go to Discount-Equipment.com to order your parts

D SOFF CUT X5000
KIT, OIL DRAIN



Go to Discount-Equipment.com to order your parts

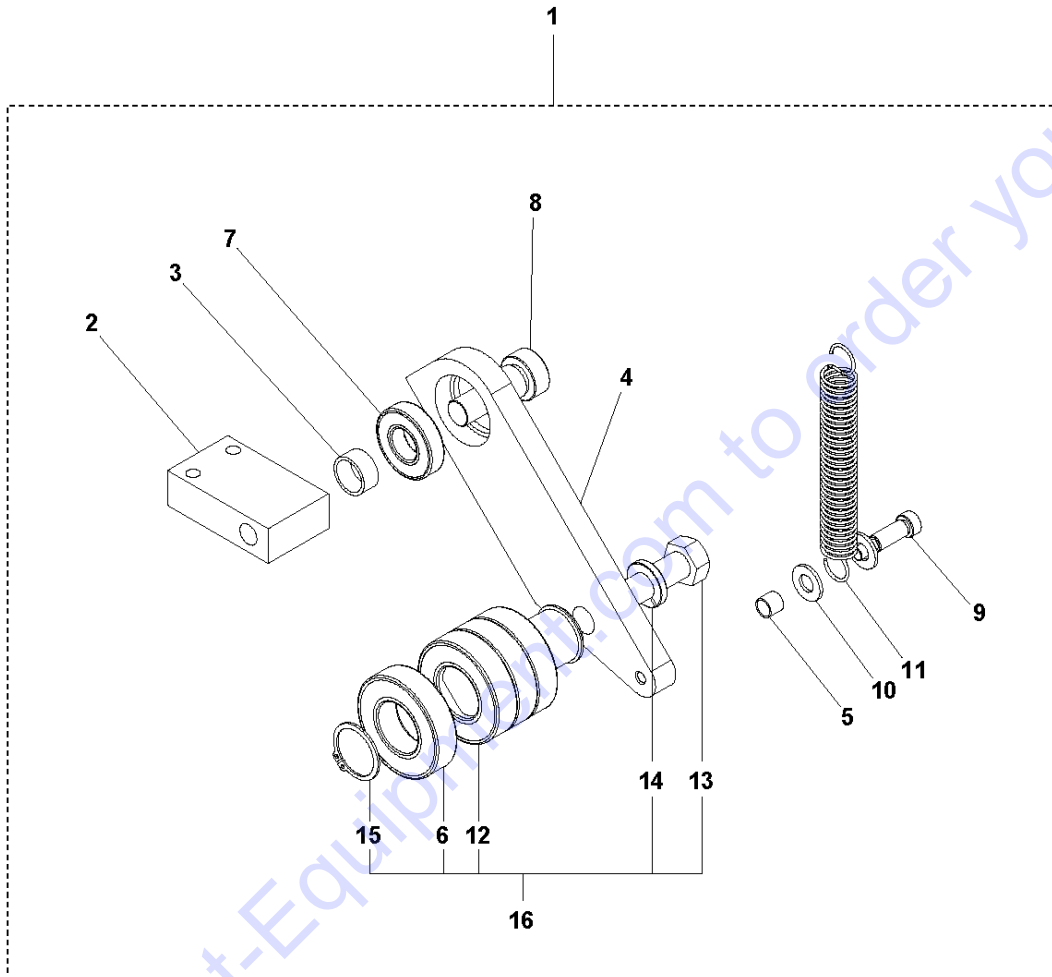
OIL DRAIN

SOFF CUT 5000, 2022-09

Ref	Part No	Description	Remark	QTY KIT
1	505 77 66-01	CAP		1
2	505 73 86-01	FITTING		2
3	505 73 89-01	VALVE		1
4	505 73 87-01	ADAPTER		1
5	505 79 66-01	FITTING		1
6	505 79 65-01	NIPPLE		1
7	505 79 64-01	BUSHING		1
8	598 42 44-01	HOSE	2 ft. service	1

Go to Discount-Equipment.com to order your parts

E SOFF CUT X5000
BLADE IDLER PULLEY



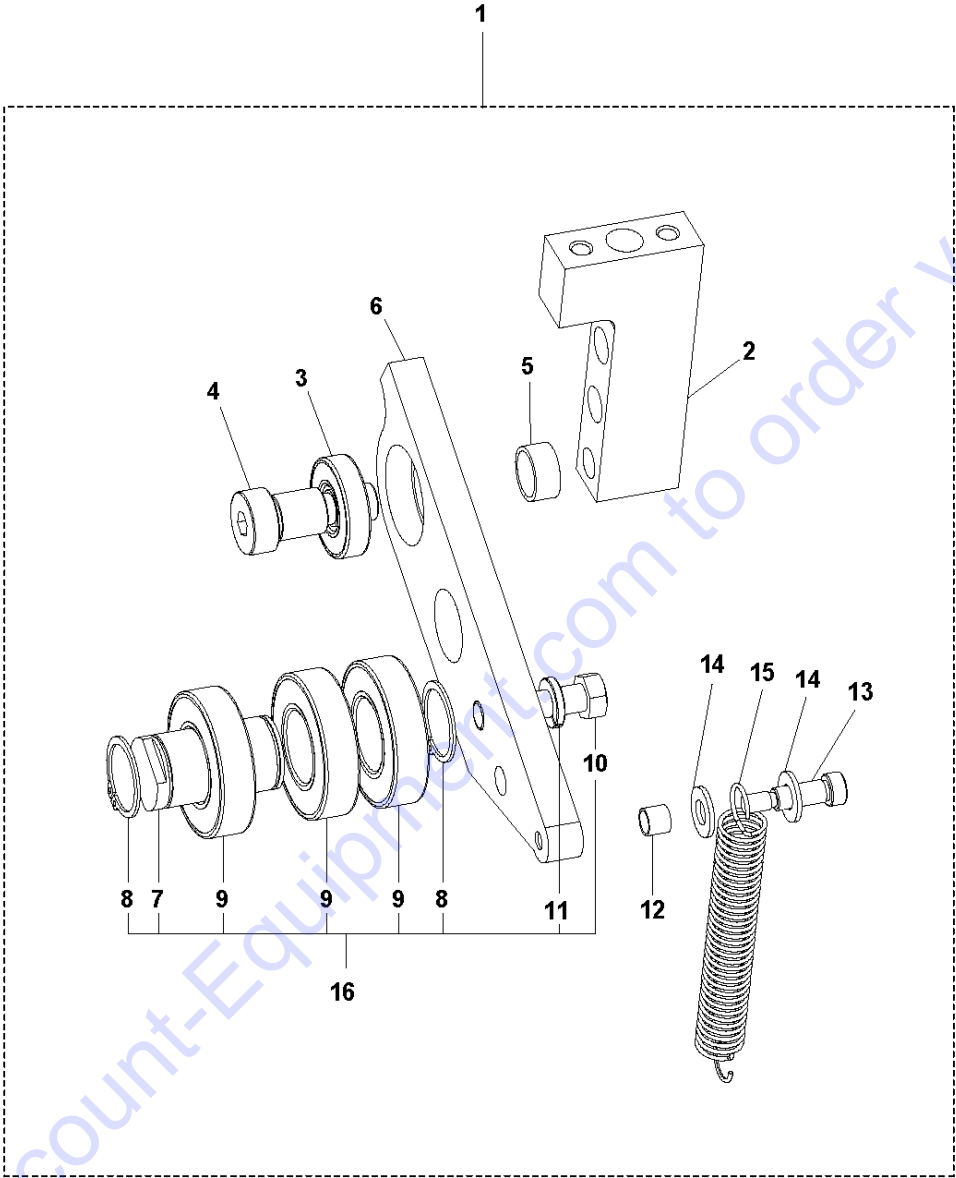
BLADE IDLER PULLEY

SOFF CUT 5000, 2022-09

Ref	Part No	Description	Remark	QTY	KIT
1	579 87 66-01	SERVICE PARTS SYSTEM		1	
2	505 66 45-01	BLOCK. IDLER MOUNT		1	1
3	505 71 46-02	SPACER		1	1
4	505 66 39-01	IDLER PULLEY ARM		1	1
5	505 71 79-01	BUSHING		1	1
6	505 73 63-01	BALL BEARING		4	1, 16
7	505 73 60-01	BALL BEARING		1	1
8	505 72 62-01	BOLT		1	1
9	505 72 64-01	BOLT		1	1
10	539 99 01-88	WASHER		2	1
11	505 79 69-01	SPRING		1	1
12	505 66 50-01	SHAFT		1	1, 16
13	505 82 11-01	BOLT		1	1, 16
14	505 73 11-01	WASHER		1	1, 16
15	542 20 62-05	SNAP RING		2	1,16
16	505 48 45-02	PULLEY		1	1

Go to Discount-Equipment.com to order your parts

F SOFF CUT X5000
PUMP IDLER PULLEY



Go to Discount-Equipment.com to order your parts

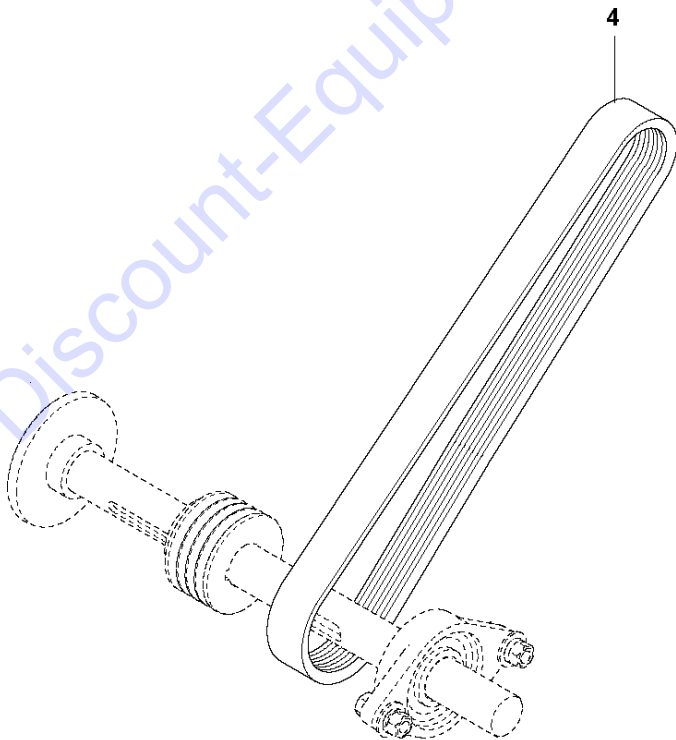
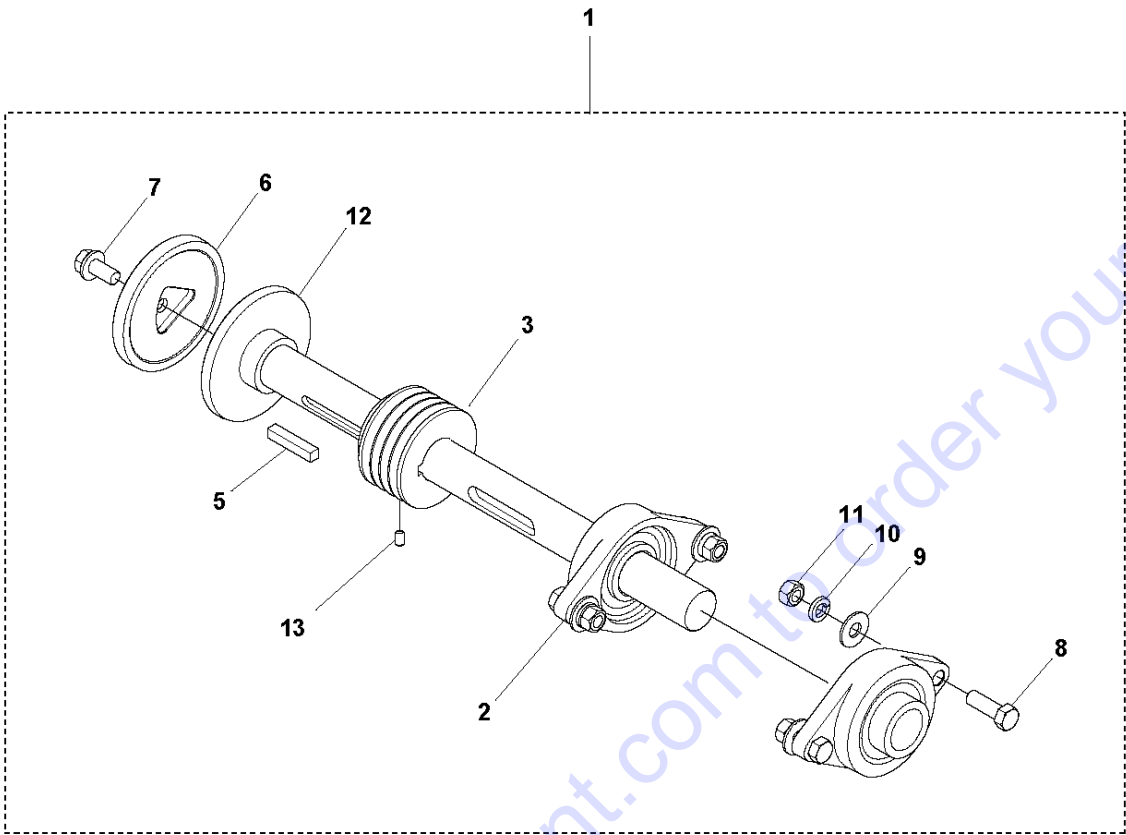
PUMP IDLER PULLEY

SOFF CUT 5000, 2022-09

Ref	Part No	Description	Remark	QTY KIT
1	510 27 18-01	BELT TENSIONER ASSY		1
2	505 71 44-01	BLOCK		1
3	505 73 60-01	BALL BEARING		1
4	505 72 62-01	BOLT		1
5	505 71 46-02	SPACER		1
6	505 70 69-01	ARM		1
7	505 70 68-01	SHAFT		1
8	542 20 62-05	SNAP RING		2
9	505 73 63-01	BALL BEARING		3
10	505 79 58-01	BOLT		1
11	505 73 10-01	WASHER		1
12	505 71 79-01	BUSHING		1
13	505 72 64-01	BOLT		1
14	539 99 01-88	WASHER		2
15	505 77 46-01	SPRING		1
16	505 48 34-01	BEARING KIT		1

Go to Discount-Equipment.com to order your parts

G SOFF CUT X5000
BLADE SHAFT ASSEMBLY



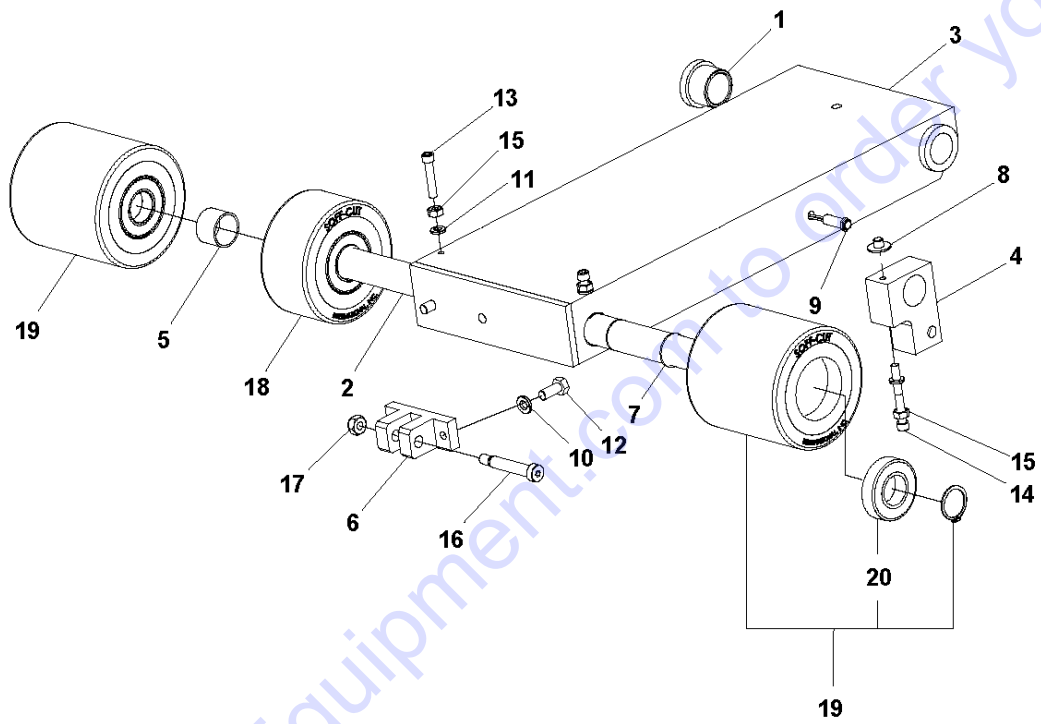
BLADE SHAFT

SOFF CUT 5000, 2022-09

Ref	Part No	Description	Remark	QTY KIT	
1	510 27 22-01	BLADE SHAFT		1	
2	505 77 41-01	BLADE SHAFT		2	1
3	582 04 66-01	PULLEY	Machines with S/N before 001317909001 needs to buy both pos 3 and 4	1	1
4	542 16 66-29	V-BELT	Machines with S/N before 001317909001 needs to buy both pos 3 and 4	1	
5	510 32 69-01	KEY		1	1
6	505 49 15-06	WASHER		1	1
7	505 48 37-01	BOLT		1	1
8	505 82 11-01	BOLT		4	1
9	505 73 14-01	WASHER		4	1
10	505 73 11-01	WASHER		4	1
11	505 73 33-01	NUT		4	1
12	505 57 32-05	SHAFT		1	1
13	542 02 05-50	SCREW		1	

Go to Discount-Equipment.com to order your parts

H SOFF CUT X5000
FRONT WHEEL CARRIAGE



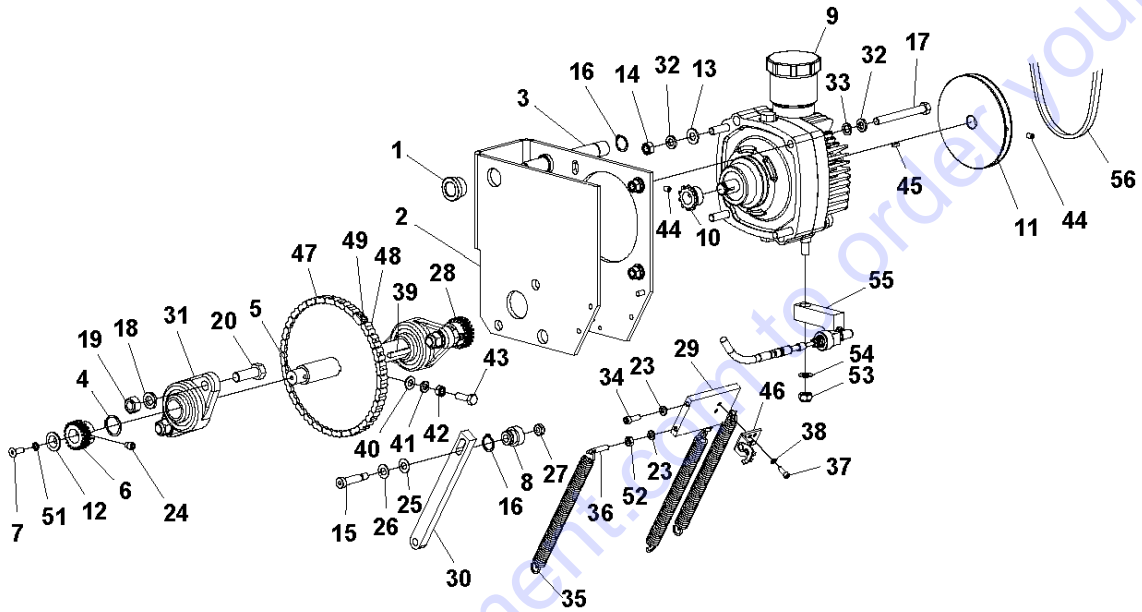
FRONT WHEEL CARRIAGE

SOFF CUT 5000, 2022-09

Ref	Part No	Description	Remark	QTY KIT
1	505 70 51-01	BUSHING		2
2	505 76 40-01	AXLE		1
3	505 66 01-01	WHEEL		1
4	505 66 03-01	BLOCK		1
5	505 76 41-01	SPACER		1
6	505 75 69-01	BRACKET		1
7	542 20 62-05	SNAP RING		1
8	505 62 53-01	BUTTON		1
9	505 75 43-01	SWITCH		1
10	505 63 30-01	WASHER		2
11	505 63 28-01	WASHER		3
12	539 97 69-34	SCREW		2
13	505 62 80-01	BOLT		2
14	505 72 89-01	BOLT		1
15	505 63 19-01	NUT		3
16	505 77 15-01	BOLT		1
17	539 99 07-17	NUT		1
18	505 86 92-01	WHEEL ASSY		1
19	505 86 91-01	WHEEL ASSY		2
20	505 73 63-01	BALL BEARING		6

Go to Discount-Equipment.com to order your parts

J SOFF CUT X5000
PUMP ASSEMBLY

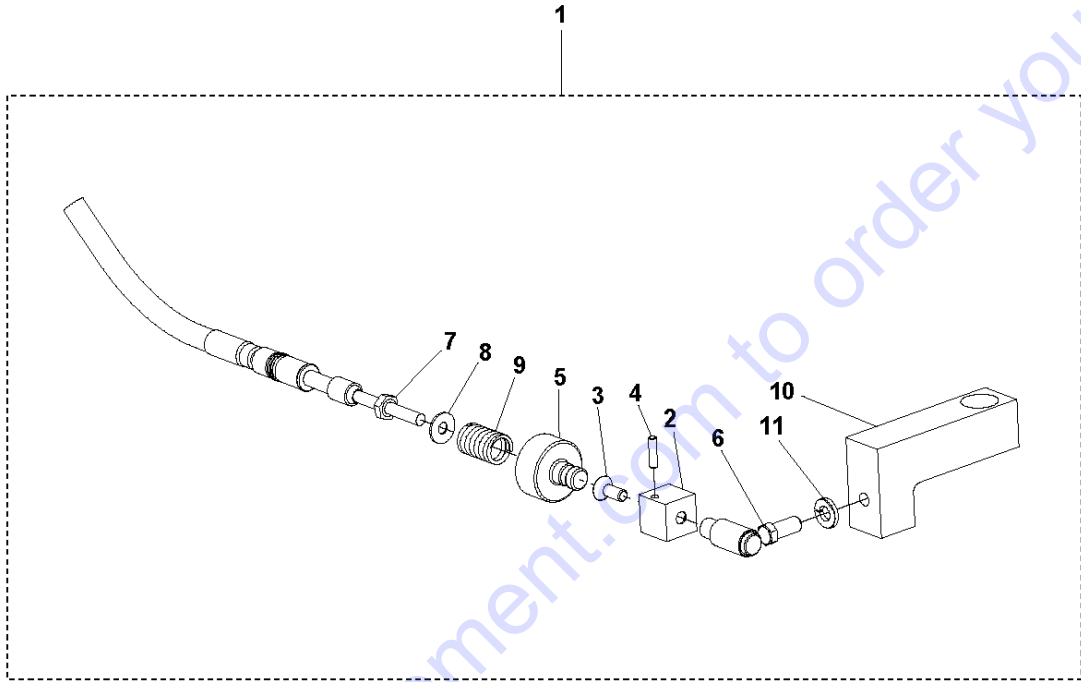


PUMP

SOFF CUT 5000, 2022-09

Ref	Part No	Description	Remark	QTY KIT
1	505 58 69-01	BUSHING		2
2	505 65 82-01	FRAME		1
3	505 65 87-01	SHAFT		1
4	542 20 62-05	SNAP RING		2
5	505 76 47-01	DRIVE SHAFT		1
6	505 60 24-01	GEAR		1
7	505 62 86-01	SCREW		2
8	505 65 88-01	BUSHING		1
9	531 07 57-01	HYDRAULIC PUMP	Series 7	1
10	587 65 99-02	SPROCKET	Heat treated	1
11	587 93 54-01	PULLEY	Use 587935401 2015 forward. Prior to 2015, use 505739801. 1/3V 5.00 X 17 MM	1
12	505 76 48-01	WASHER		2
13	539 99 05-17	WASHER	Flat .375	4
14	539 99 01-30	NUT		4
15	505 82 07-01	BOLT		1
16	505 73 35-01	SNAP RING		2
17	539 30 08-70	NLA HCS 3/8-16 X 3-1/2 GR 5 ZN		4
18	505 73 11-01	WASHER		4
19	523 32 77-01	NUT		4
20	505 82 11-01	BOLT		4
24	505 77 27-01	SCREW		4
25	505 63 45-01	WASHER		1
23	505 63 28-01	WASHER		6
26	505 63 42-01	WASHER		1
27	505 63 17-01	NUT		1
28	505 77 70-01	GEAR		1
29	505 65 86-01	PLATE. PUMP SUPPORT		1
30	505 65 84-01	ARM		1
31	505 68 94-01	BEARING		2
32	505 73 10-01	WASHER		8
33	505 72 40-01	WASHER		4
34	505 62 78-01	BOLT		2
35	505 77 52-01	SPRING		3
36	505 77 45-01	ANCHOR		3
37	505 72 96-01	BOLT		2
38	505 63 31-01	WASHER		2
39	510 31 81-01	KEY		1
40	539 99 01-88	WASHER		1
41	505 63 30-01	WASHER		1
42	505 73 24-01	NUT		1
43	539 99 02-09	SCREW		1
44	542 02 05-68	SCREW	SHSS, .25-20 x .375 HK	1
45	539 30 07-49	KEY		2
46	505 66 64-01	BRACKET		1
47	505 73 94-01	SPROCKET		1
48	587 70 66-01	KIT		1
49	505 73 96-01	LINK		1
52	505 63 19-01	NUT		3
53	539 97 69-79	NUT		1
54	505 63 42-01	WASHER		1
55	505 86 23-01	CONTROL		1
56	505 48 40-03	BELT		1
51	505 68 62-01	WASHER		2

K SOFF CUT X5000
SPEED CONTROL CABLE



Go to Discount-Equipment.com to order your parts

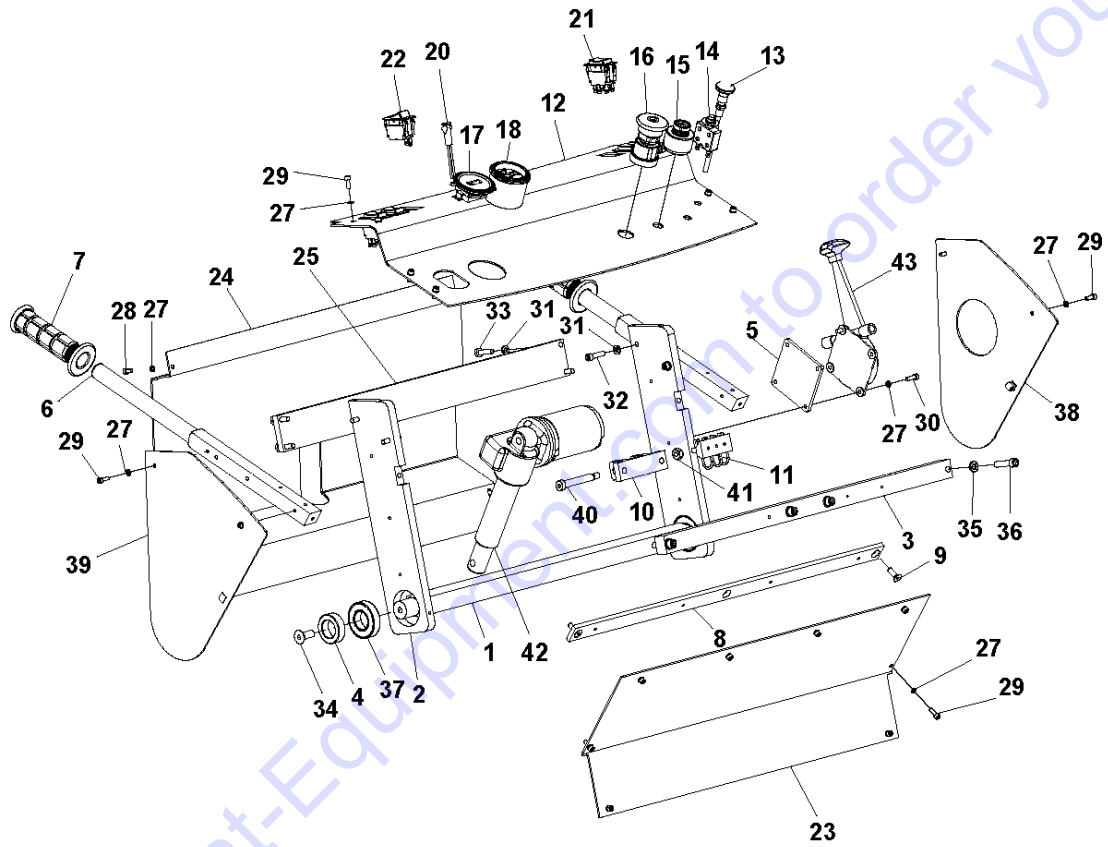
SPEED CONTROL

SOFF CUT 5000, 2022-09

Ref	Part No	Description	Remark	QTY	KIT
1	505 86 23-01	CONTROL		1	
2	505 65 89-01	CONTROL CABLE		1	1
3	505 72 99-01	SCREW		1	1
4	505 63 37-01	PRECISION DOW PIN STL 1/8 X 1/		1	1
5	505 65 90-01	FITTING		1	1
6	505 82 35-01	BALL JOINT		1	1
7	505 82 30-01	CONTROL CABLE		1	1
8	505 72 53-01	WASHER		1	1
9	505 77 51-01	SPRING		1	1
10	505 71 49-01	ARM		1	1
11	505 63 28-01	WASHER		1	1

Go to Discount-Equipment.com to order your parts

L SOFF CUT X5000
CONTROL PANEL ASSEMBLY



Go to Discount-Equipment.com to order your parts

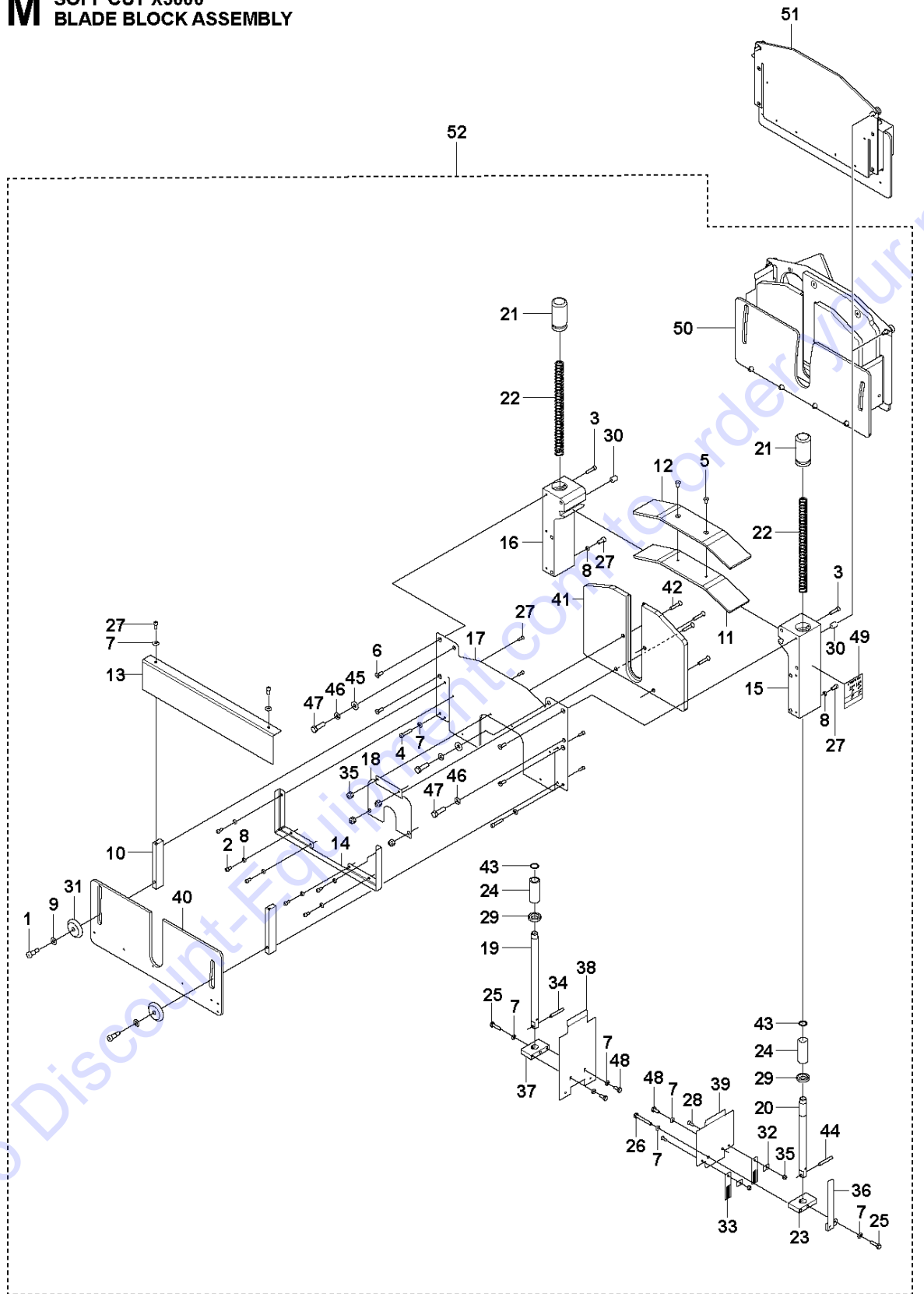
CONTROL PANEL

SOFF CUT 5000, 2022-09

Ref	Part No	Description	Remark	QTY KIT
1	505 65 79-01	SHAFT. CONTROL PANEL PIVOT		1
2	505 65 72-01	ARM. CP PIVOT		2
3	505 65 71-01	ACTUATOR		1
4	505 65 80-01	SPACER		2
5	505 65 81-01	SPACER		1
6	505 65 78-01	SHAFT		2
7	505 86 30-01	X150 HANDLE GRIPS	Kit, handle grip (2-pack)	1
8	505 75 85-01	CROSSBAR		1
9	505 62 86-01	SCREW		2
10	505 75 70-01	ACTUATOR		1
11	505 75 27-01	BLOCK		1
12	505 65 73-01	PANEL		1
13	505 69 50-01	CABLE		1
14	505 60 51-01	CIRCUIT BREAKER		1
15	505 79 76-01	KEY SWITCH		1
16	505 70 44-01	STOP SWITCH		1
17	505 75 02-02	HOUR METER		1
18	505 70 43-01	METER		1
20	505 84 60-01	LIGHT		1
21	590 53 25-01	SWITCH KIT	Kit	4
22	589 66 90-01	TOGGLE SWITCH	Rocker DP-ON-OFF	1
23	505 65 76-01	PANEL. CONTROL FRONT		1
24	505 65 77-01	PANEL. CONTROL REAR		1
25	505 66 47-01	CROSS BAR. CP. REAR		1
27	505 63 31-01	WASHER		26
28	505 62 77-01	BOLT		4
29	505 72 96-01	BOLT	SHCS 10-32 X 1/2 S.S.	20
30	505 72 97-01	BOLT		2
31	505 63 28-01	WASHER		8
32	505 62 79-01	BOLT		4
33	505 72 73-01	BOLT		4
34	510 32 51-01	BOLT		2
35	505 63 30-01	WASHER		4
36	542 16 26-99	SCREW	SHCS, .3125-18 x 1.25	4
37	505 73 63-01	BALL BEARING	Ball bearing, 1"ID, R16-2RS	2
38	505 65 75-01	PANEL		1
39	505 65 74-01	PANEL. CONTROL RIGHT SIDE		1
40	505 62 72-01	BOLT	Bolt, SHSB 3/8 X 2 1/4	1
41	539 99 07-17	NUT		1
42	505 84 49-02	HANDLE		1
43	505 82 36-01	CONTROL LEVER		1

Go to DiscountEquipment.com to order your parts

M SOFF CUT X5000
BLADE BLOCK ASSEMBLY



PARTS FINDER

**Search Website
by Part Number**



**Search Manual
Library For Parts
Manual & Lookup Part
Numbers – Purchase
or Request Quote**

Search Manuals

Enter your information to help us find the right parts manual for your machine.

* Brand:

* Model:

* Serial:

* Part Number:

SEARCH

**Can't Find Part or
Manual? Request Help
by Manufacturer,
Model & Description**

Parts Order Form

Please fill in the following information to help us find the right part for your machine.

Manufacturer:	<input type="text"/>
Model:	<input type="text"/>
Description:	<input type="text"/>
Part Number:	<input type="text"/>
Quantity:	<input type="text"/>
Notes:	<input type="text"/>

Submit

Discount-Equipment.com is your online resource for quality parts & equipment.

Florida: **561-964-4949** Outside Florida TOLL FREE: **877-690-3101**

Need parts?

Click on this link: <http://www.discount-equipment.com/category/5443-parts/> and choose one of the options to help get the right parts and equipment you are looking for. Please have the machine model and serial number available in order to help us get you the correct parts. If you don't find the part on the website or on one of the online manuals, please fill out the request form and one of our experienced staff members will get back to you with a quote for the right part that your machine needs.

We sell worldwide for the brands: Genie, Terex, JLG, MultiQuip, Mikasa, Essick, Whiteman, Mayco, Toro Stone, Diamond Products, Generac Magnum, Airman, Haulotte, Barreto, Power Blanket, Nifty Lift, Atlas Copco, Chicago Pneumatic, Allmand, Miller Curber, Skyjack, Lull, Skytrak, Tsurumi, Husquvarna Target, Stow, Wacker, Sakai, Mi-T-M, Sullair, Basic, Dynapac, MBW, Weber, Bartell, Bennar Newman, Haulotte, Ditch Runner, Menegotti, Morrison, Contec, Buddy, Crown, Edco, Wyco, Bomag, Laymor, EZ Trench, Bil-Jax, F.S. Curtis, Gehl Pavers, Heli, Honda, ICS/PowerGrit, IHI, Partner, Imer, Clipper, MMD, Koshin, Rice, CH&E, General Equipment, Amida, Coleman, NAC, Gradall, Square Shooter, Kent, Stanley, Tamco, Toku, Hatz, Kohler, Robin, Wisconsin, Northrock, Oztec, Toker TK, Rol-Air, APT, Wylie, Ingersoll Rand / Doosan, Innovatech, Con X, Ammann, Mecalac, Makinex, Smith Surface Prep, Small Line, Wanco, Yanmar

BLADE BLOCK

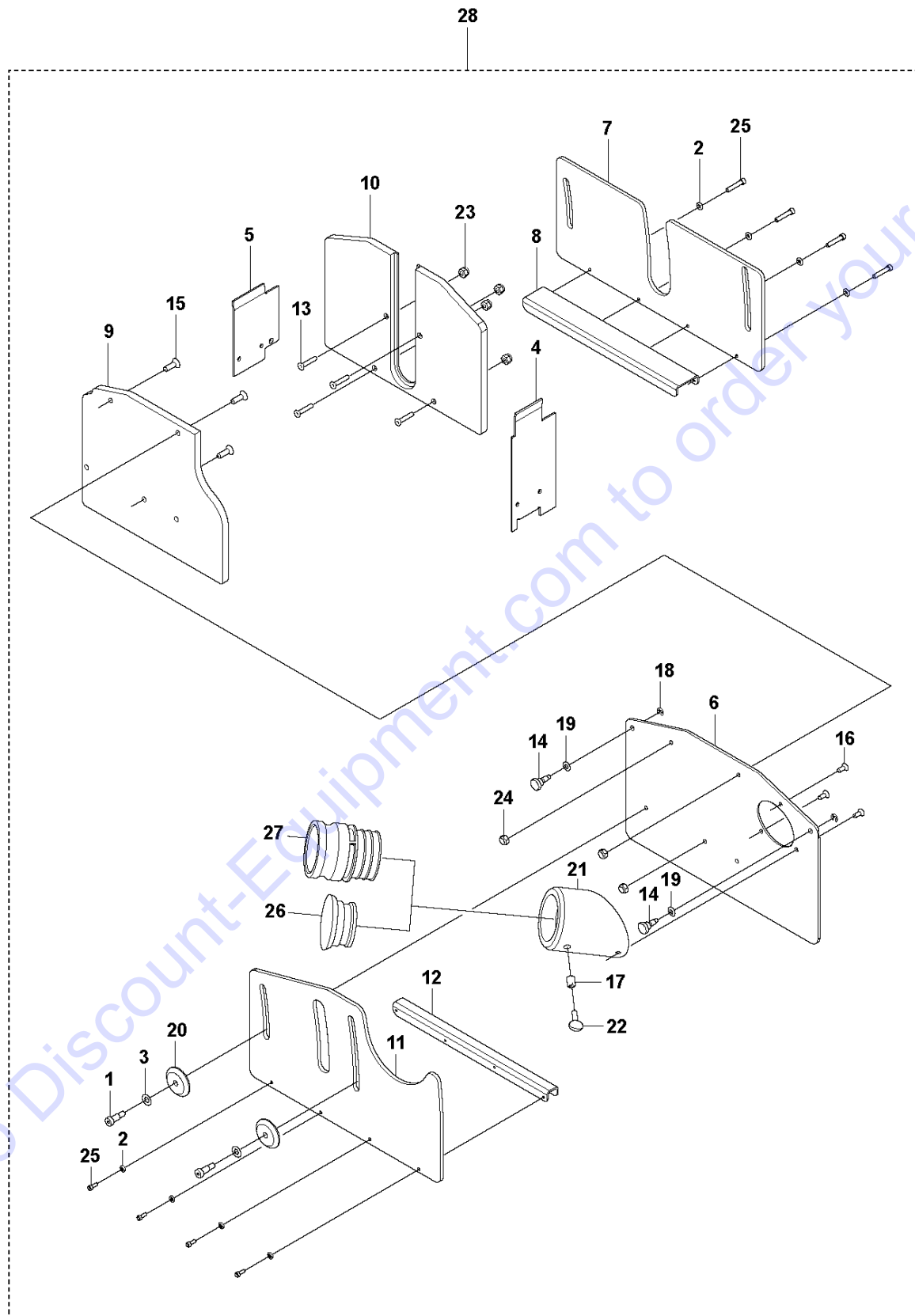
SOFF CUT 5000, 2022-09

Ref	Part No	Description	Remark	QTY KIT	
1	505 62 71-01	BOLT	SHSH bolt 3/8 X 5/8 BLK STL	4	52
2	505 62 77-01	BOLT	SHCS 10-32 X .375 S.S.	4	52
3	505 62 79-01	BOLT	SHCS .25-20 X 1 S.S.	2	52
4	505 62 80-01	BOLT	SHCS .25-20 X 1.25 S.S.	2	52
5	505 62 85-01	SCREW	FHS 1/4-20 X 1/2 S.S.	2	52
6	505 62 86-01	SCREW	FHS 1/4-20 X 3/4 S.S.	4	52
7	505 63 28-01	WASHER	.25 SPLIT SS	8	52
8	505 63 31-01	WASHER	#10 S.S.	12	52
9	505 63 42-01	WASHER	3/8"X .03THK FLAT S.S.	2	52
10	505 66 15-01	BLOCK	Lexan mount	2	52
11	505 66 17-01	COVER	B.B. Inner	1	52
12	505 66 18-01	COVER	B.B. Outer	1	52
13	505 66 19-01	COVER	Inne angle diverter	1	52
14	505 66 22-01	BRACKET	B.B Angle diverter	1	52
15	505 66 23-01	BLOCK	B.B.	1	52
16	505 66 24-01	BLOCK	B.B.	1	52
17	505 66 25-01	COVER	B.B.	1	52
18	505 66 29-01	COVER	Belt access	1	52
19	505 66 33-01	SHAFT	Front blade block X5000	1	52
20	505 66 34-01	SHAFT	Rear blade block X5000	1	52
21	505 66 35-01	CAP	B.B. Shaft	2	52
22	505 66 37-01	SPRING	B.B.	2	52
23	505 66 49-01	BLOCK	B.B.	1	52
24	505 66 78-01	SHAFT	750X1.00X 2.50, Bronze	2	52
25	505 72 73-01	BOLT	HHB, 1/4-20 X 1 S.S.	2	52
26	505 72 81-01	BOLT	HHB, 1/4-20 X 2 ALL THRD S.S.	1	52
27	505 72 96-01	BOLT	SHCS 10-32 X 1/2 S.S.	14	52
28	505 72 99-01	SCREW	FHS 10-32 X 1/2 S.S.	1	52
29	505 73 80-01	SEAL	3/4" Shaft	2	52
30	505 74 83-01	INSERT	S.S.	3	52
31	505 76 17-01	WASHER	Lexan cover	4	52
32	505 76 91-01	BAR	Mounting, small dust flap	2	52
33	505 76 92-01	FLAP	Small	2	52
34	505 77 40-01	PIN	1/4 X 1.25 STEEL	1	52
35	505 82 22-01	NUT	Nyloc #10-32 S.S.	4	52
36	505 83 17-01	ARM	X4000	1	52
37	505 83 98-01	BLOCK	Shaft collar, B.B.	1	52
38	510 32 35-01	BRACKET	Front diverter, vacuum	1	52
39	510 32 36-01	DIVERTER. VACUUM REAR		1	52
40	510 32 44-01	LEXAN. VACUUM INNER. X5000 (VA		1	52
41	510 32 47-01	BLOCK	Inner, plastic	1	52
42	510 32 55-01	SCREW	FHS 10-32 X 1 1/4 S.S.	4	52
43	541 40 14-72	RING	Spiral .042" T	2	52
44	587 91 82-01	PIN	Groove E, 1/4" X 2"	1	52
45	539 99 01-22	WASHER	Flat sae .375	3	52
46	505 73 10-01	WASHER	3/8 S.S.	4	52
47	539 97 69-41	SCREW	HHCS, .375-16 x 1.25 GR 5 Z/P	4	52
48	505 62 74-01	BOLT	HHB, 1/4-20 X 5/8 S.S.	3	52
49	510 32 57-01	LABEL	Depth guage	1	52
50	505 49 40-07	COVER	Vacuum Blade Block cover Soff-Cut 5000	1	52
51	505 86 25-01	BLADE	Non-VAC Blade Block cover Soff-Cut 5000	1	52
52	595 84 41-01	BLADE BLOCK		1	

Ref	Part No	Description	Remark	QTY	KIT
1	505 66 30-01	FRONT COVER		1	20
2	505 66 15-01	BLOCK		2	20
3	505 66 21-01	COVER		1	20
4	505 66 22-01	BRACKET		1	20
5	505 66 32-01	COVER		1	19, 20
6	505 66 43-01	STIFFENER		1	19, 20
7	505 53 63-01	KNOB		2	20
8	505 53 64-01	WASHER		2	20
9	505 53 65-01	E-CLIP		2	20
10	505 72 99-01	SCREW		4	20
11	505 63 31-01	WASHER		11	19, 20
12	505 62 98-01	SCREW		5	19, 20
13	505 62 77-01	BOLT		6	20
14	505 72 23-01	BOLT		2	20
15	505 63 28-01	WASHER		2	20
16	505 76 17-01	WASHER		2	19, 20
17	505 63 42-01	WASHER		2	19, 20
18	505 62 71-01	BOLT		2	19, 20
19	505 88 98-01	PROTECTIVE COVER		1	20
20	505 86 25-01	BLADE		1	20

Go to Discount-Equipment.com to order your parts

P SOFF CUT X5000
BLADE BLOCK COVER ASSEMBLY - VAC



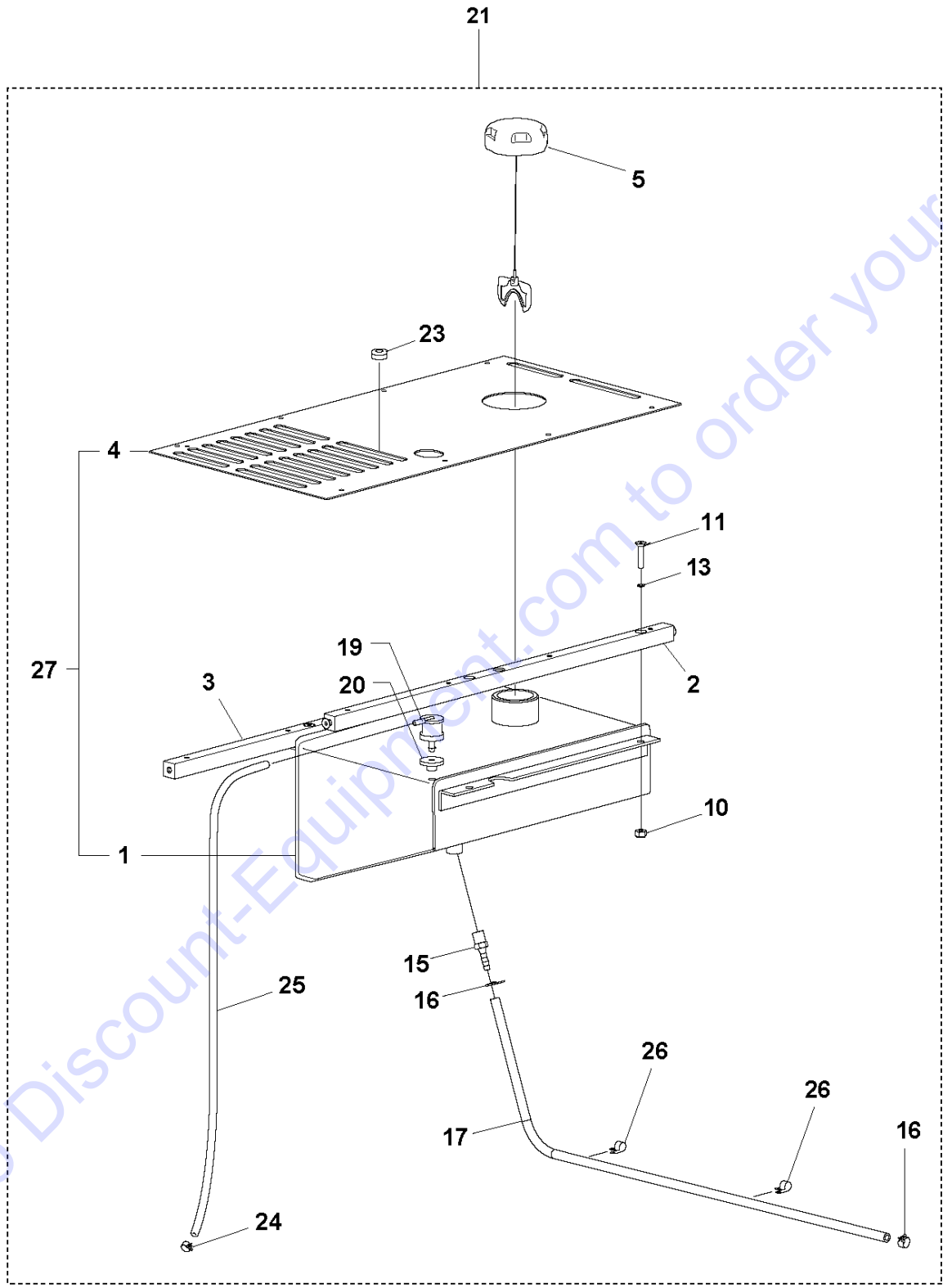
BLADE BLOCK COVER - VAC PORT

SOFF CUT 5000, 2022-09

Ref	Part No	Description	Remark	QTY	KIT
1	505 62 71-01	BOLT	SHSH BOLT 3/8 X 5/8 BLK STL	2	28
2	505 63 31-01	WASHER	#10 S.S.	8	28
3	505 63 42-01	WASHER	3/8"X .03THK FLAT S.S.	2	28
4	510 32 35-01	BRACKET	Front diverter, vacuum	1	28
5	510 32 36-01	DIVERTER. VACUUM REAR	Rear diverter, vacuum	1	28
6	510 32 42-01	B.B. COVER W/ DUST PORT.X5000	B.B. cover w/ dust port, X5000	1	28
7	510 32 44-01	LEXAN. VACUUM INNER. X5000 (VA	Inner lexan vacuum, X5000	1	28
8	510 32 45-01	CHANNEL	Inner, X5000 (VAC KIT)	1	28
9	510 32 46-01	VOLUME BLOCK. OUTER. PLASTIC	Outer, plastic	1	28
10	510 32 47-01	BLOCK	Inner, plastic	1	28
11	510 32 48-01	LEXAN. VACUUM COVER	Lexan vacuum	1	28
12	510 32 49-01	CHANNEL	Outer, X5000 (VAC KIT)	1	28
13	510 32 55-01	SCREW	FHS, 10-32 X 1 1/4 S.S.	4	28
14	505 53 63-01	KNOB	Rear panel/blade block	2	28
15	505 73 01-01	SCREW	FHS 5/16-18 X 1 S.S.	3	28
16	505 73 05-01	SCREW	FHS 1/4-20 X 5/8 S.S.	3	28
17	505 74 83-01	INSERT	S.S.	1	28
18	505 53 65-01	E-CLIP	1/4", Zinc-plated	2	28
19	505 53 64-01	WASHER	Belleville, 5/16" S.S.	2	28
20	505 76 17-01	WASHER	Lexan cover	2	28
21	591 35 71-01	TUBE	Vac port - kamloc	1	28
22	505 79 61-01	SCREW	5/16-18 X 3/4 ZINC	1	28
23	505 82 22-01	NUT	Nyloc #10-32 S.S.	4	28
24	539 99 07-17	NUT	Fiber .3125-18 Z/P	3	28
25	541 20 52-52	SCREW	SHCS 10-32 X 1/2 S.S.	8	28
26	593 21 44-01	PLUG	Vac port	1	28
27	502 56 96-03	COUPLING	300-E Male machined	1	28
28	505 49 40-07	COVER	Kit, Vacuum Blade Block cover Soff-Cut 5000	1	

Go to Discount-Equipment.com to get your parts

Q SOFF CUT X5000
FUEL TANK ASSEMBLY



Go to Discount-Equipment.com to order your parts

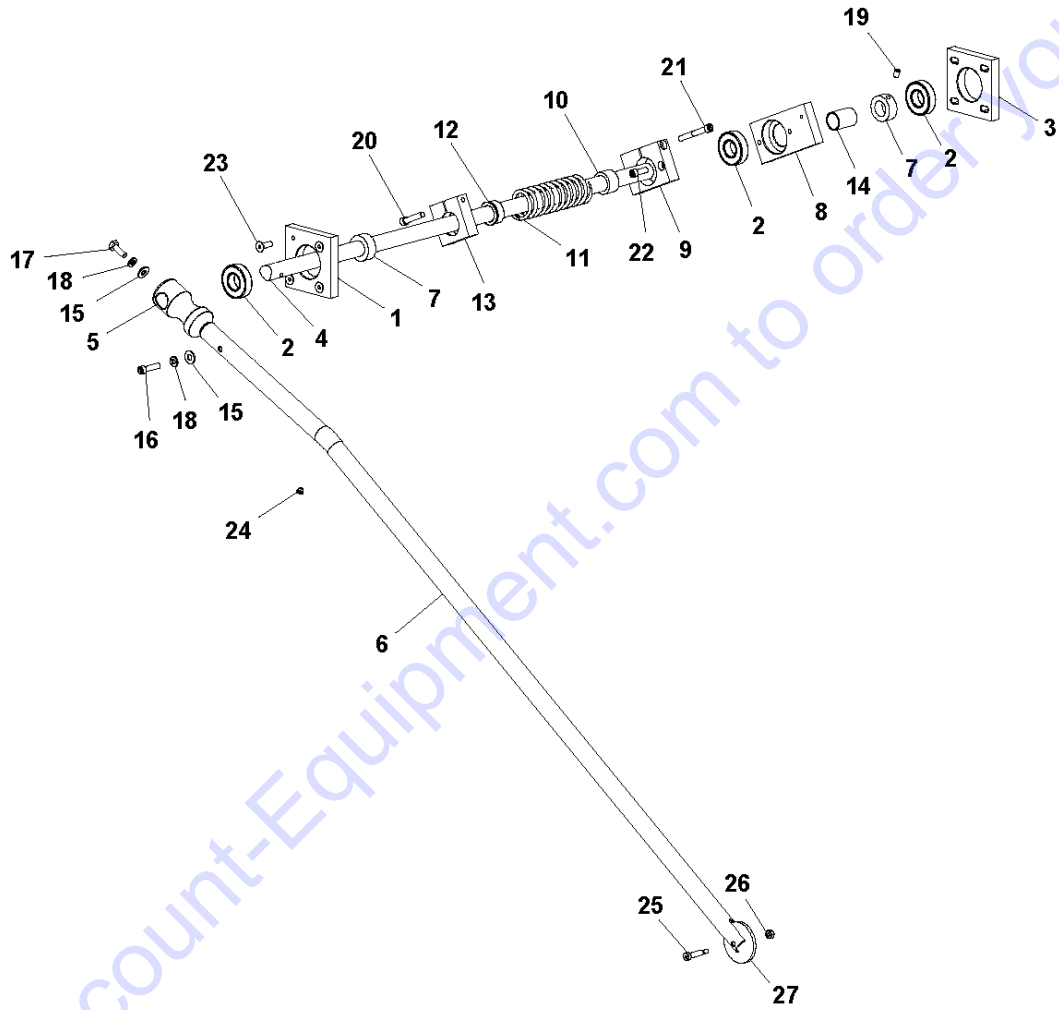
FUEL TANK

SOFF CUT 5000, 2022-09

Ref	Part No	Description	Remark	QTY KIT
1	529 50 11-01	TANK		1
2	505 79 20-01	HOOD	Cross bar	1
3	505 79 20-01	HOOD	Cross bar	1
4	577 60 85-01	COVER		1
5	593 01 58-01	FUEL CAP		1
10	539 97 69-78	NUT		4
11	505 77 34-01	SOCKET	Socket screw	4
13	505 63 31-01	WASHER		8
15	541 20 47-99	FITTING		1
16	577 81 35-01	CLAMP		2
17	523 05 08-01	HOSE		1
19	576 61 81-01	TANK VENT		1
20	576 61 82-01	GROMMET		1
21	510 27 15-19	FUEL TANK ASSY		1
23	542 04 72-73	GROMMET		1
24	577 81 35-02	CLAMP		2
25	523 05 08-13	HOSE		1
26	505 63 93-01	CBL CLAMP 1/2 IN.		2
27	534 20 57-01	FUEL TANK		1

Go to Discount-Equipment.com to order your parts

R SOFF CUT X5000
GUIDE ARM ASSEMBLY



Go to Discount-Equipment.com to order your parts

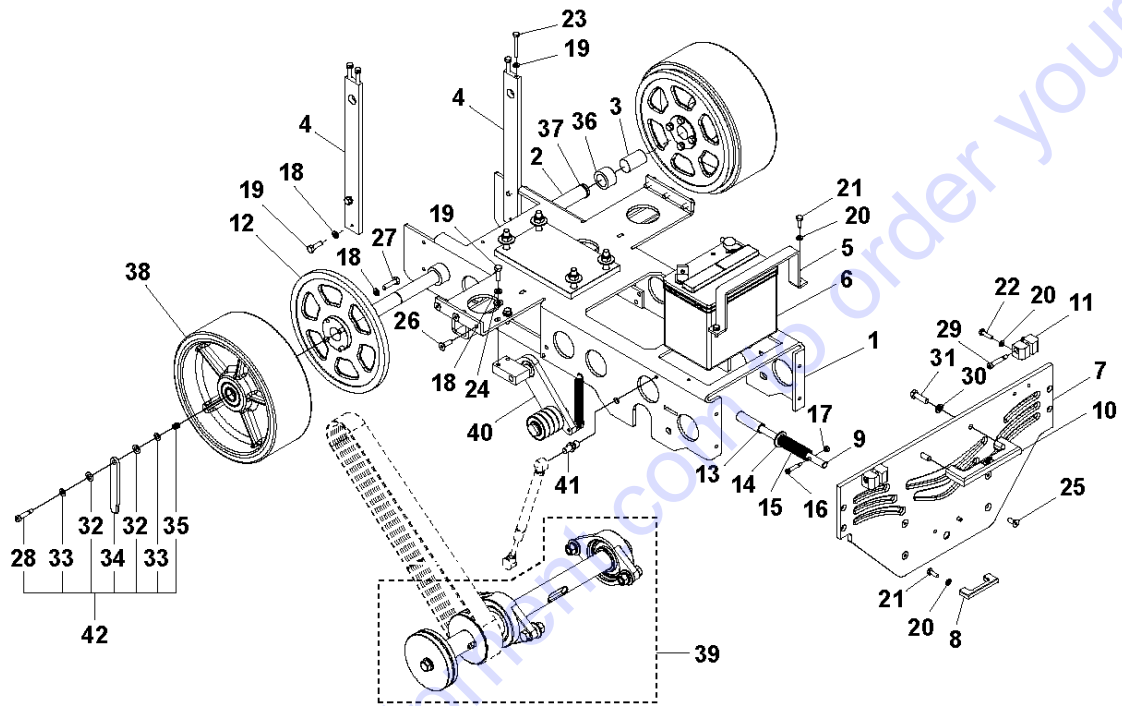
GUIDE ARM ASSEMBLY

SOFF CUT 5000, 2022-09

Ref	Part No	Description	Remark	QTY KIT
1	505 71 37-01	PLATE		1
2	505 73 61-01	BALL BEARING		3
3	505 71 38-01	PLATE		1
4	505 66 41-01	SHAFT		1
5	505 76 99-01	GUIDE		1
6	505 88 93-01	GUIDE		1
7	505 71 84-01	SHAFT		2
8	505 71 71-01	BLOCK		1
9	505 71 72-01	BLOCK		1
10	505 71 75-01	BUSHING		1
11	505 77 49-01	GUIDE		1
12	505 71 74-01	BUSHING		1
13	505 71 73-01	BLOCK		1
14	505 71 62-01	BUSHING		1
15	505 63 20-01	WASHER		2
16	505 62 79-01	BOLT		1
17	505 62 75-01	BOLT		1
18	505 63 28-01	WASHER		2
19	542 02 05-68	SCREW	SHSS, .25-20 x .375 HK	2
20	505 62 80-01	BOLT		1
21	505 72 89-01	BOLT		1
22	505 62 78-01	BOLT		2
23	505 62 86-01	SCREW		4
24	505 77 57-01	BUMPER		1
25	505 77 17-01	BOLT		1
26	505 63 04-01	NUT		1
27	505 61 42-01	DISC		1

Go to Discount-Equipment.com to order your parts

S SOFF CUT X5000
MAINFRAME ASSEMBLY



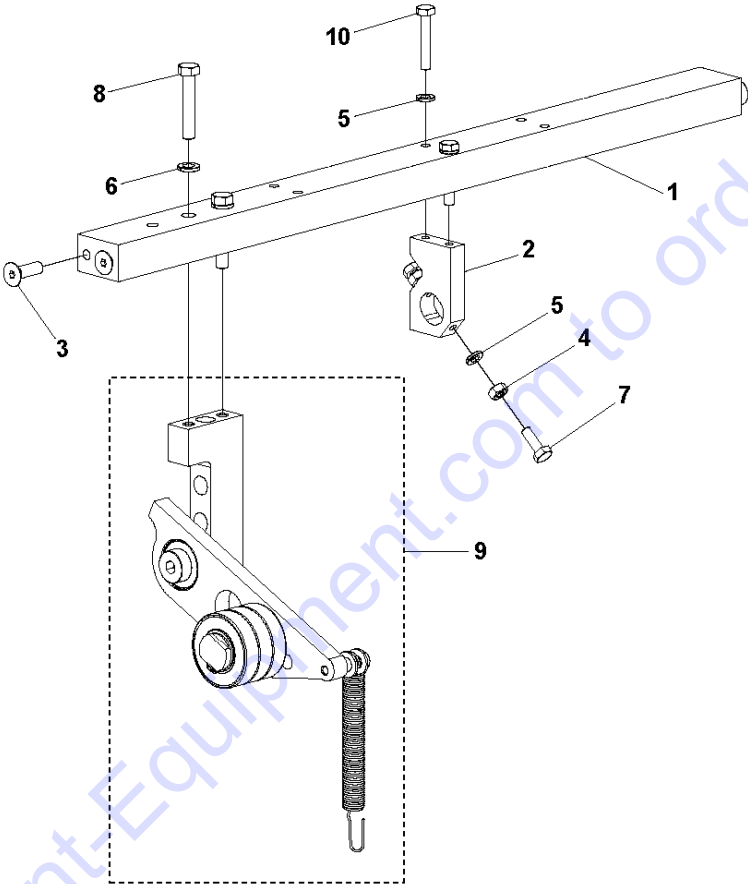
MAINFRAME

SOFF CUT 5000, 2022-09

Ref	Part No	Description	Remark	QTY	KIT
1	505 65 70-01	MAINFRAME X5000 (SEND PRINT		1	
2	505 66 02-01	SHAFT		1	
3	505 76 51-01	BUSHING		2	
4	505 65 69-01	ARM. CROSSBAR SUPPORT		2	
5	505 66 06-01	BRACKET		1	
6	505 78 62-01	BATTERY		1	
7	505 66 11-01	FRONT PLATE		1	
8	505 71 42-01	SHAFT		1	
9	505 76 43-01	ARBOR SHAFT		1	
10	505 71 69-01	HANDLE		1	
11	505 65 94-01	BLOCK		2	
12	505 86 98-01	REAR AXLE		2	
13	505 76 44-01	ARBOR LOCK 3/4 X 2.35		1	
14	505 73 14-01	WASHER		1	
15	505 73 72-01	SPRING		1	
16	505 72 59-01	BOLT		1	
17	505 63 04-01	NUT		1	
18	505 63 30-01	WASHER		14	
19	539 99 02-09	SCREW		6	
20	505 63 28-01	WASHER		12	
21	505 62 75-01	BOLT		4	
22	505 68 69-01	BOLT		4	
23	505 72 81-01	BOLT		4	
24	539 99 01-88	WASHER		2	
25	505 62 88-01	SCREW		4	
26	505 73 01-01	SCREW		6	
27	505 72 84-01	BOLT		8	
28	505 72 67-01	BOLT		1	42
29	505 72 66-01	BOLT		2	
30	505 73 10-01	WASHER		2	
31	539 97 69-41	SCREW		2	
32	505 63 45-01	WASHER		2	42
33	505 72 50-01	FLT WSH 5/16 I.D. TRA 512		2	42
34	505 71 85-01	GUIDE		1	42
35	505 63 60-01	SPRING		1	42
36	505 66 42-01	SPACER		2	
37	542 20 62-05	SNAP RING		4	
38	505 87 10-01	WHEEL ASSY		2	
39	510 27 22-01	BLADE SHAFT		1	
40	579 87 66-01	SERVICE PARTS SYSTEM		1	
41	505 73 82-01	BALL JOINT		1	
42	505 88 77-01	ARM		1	

Go to DiscountEquipment.com to order your parts

T SOFF CUT X5000
PUMP CROSSBAR ASSEMBLY



Go to Discount-Equipment.com to order your parts

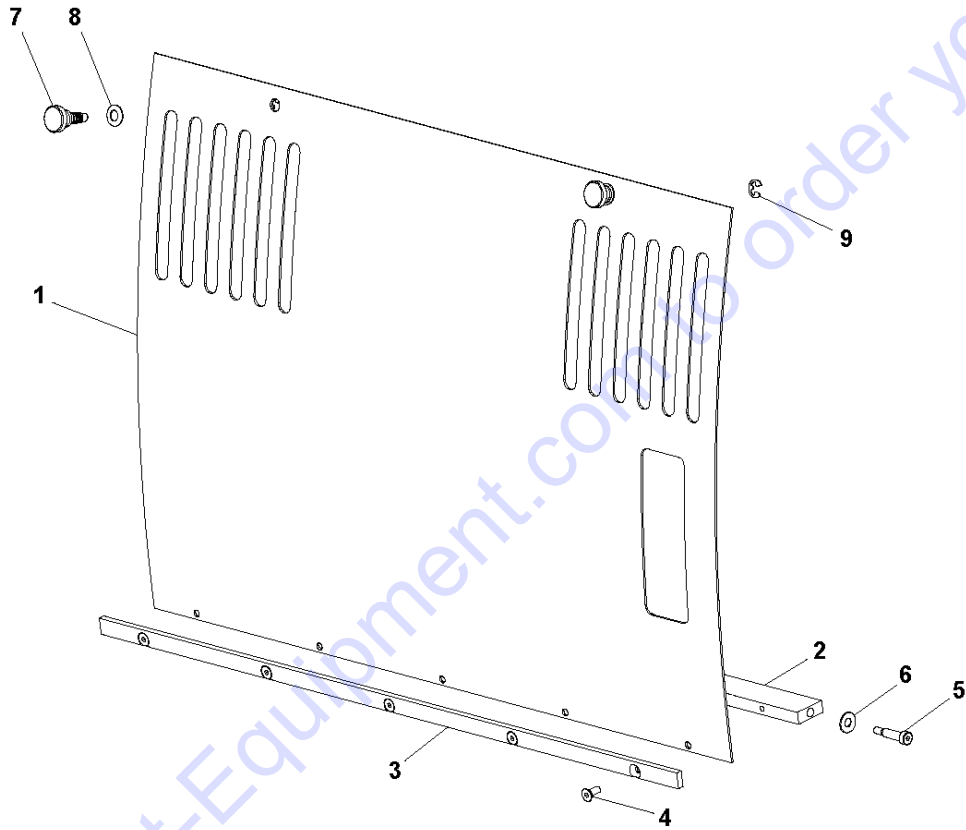
PUMP CROSS BAR ASSEMBLY

SOFF CUT 5000, 2022-09

Ref	Part No	Description	Remark	QTY KIT
1	505 66 07-01	CROSSBAR		1
2	505 65 83-01	BLOCK		1
3	505 73 01-01	SCREW		4
4	505 63 19-01	NUT		2
5	505 63 28-01	WASHER		4
6	505 63 30-01	WASHER		2
7	505 62 75-01	BOLT		2
8	510 29 84-01	5/16-18 X 1 3/4 HEX BOLT GRD5		2
9	510 27 18-01	BELT TENSIONER ASSY		1
10	505 72 83-01	BOLT		2

Go to Discount-Equipment.com to order your parts

U SOFF CUT X5000
REAR ACCESS ASSEMBLY



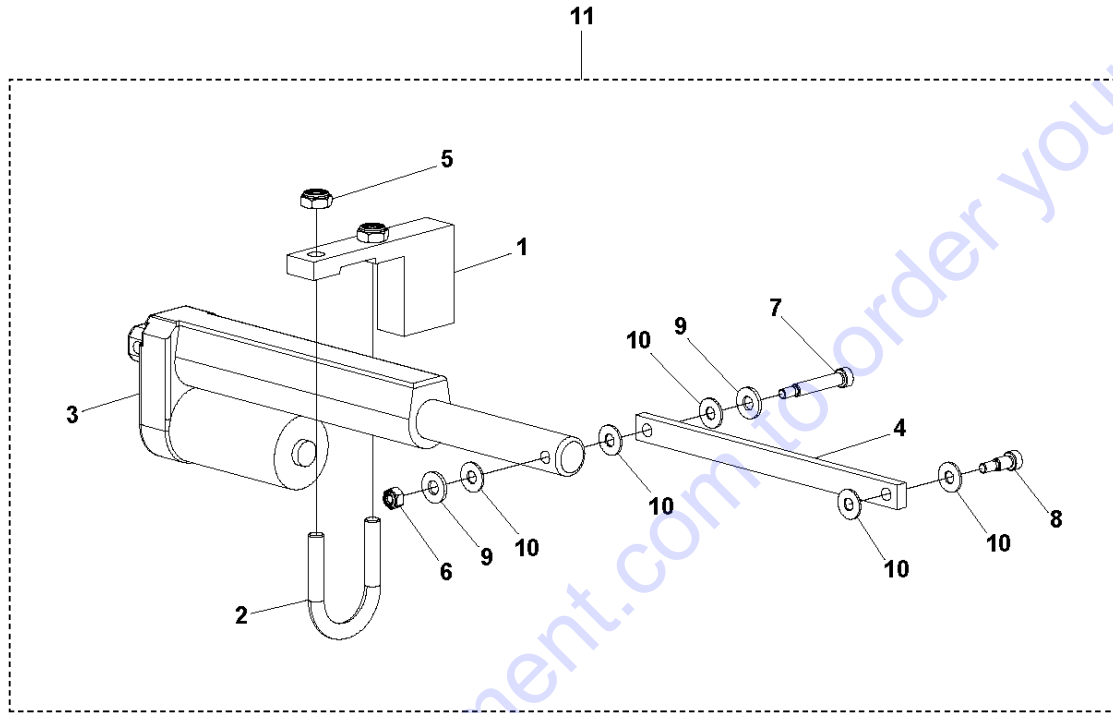
REAR ACCESS ASSEMBLY

SOFF CUT 5000, 2022-09

Ref	Part No	Description	Remark	QTY KIT
1	505 79 16-01	PANEL		1
2	505 66 08-01	CROSSBAR		1
3	505 76 71-01	BRACE		1
4	505 72 99-01	SCREW		5
5	505 72 58-01	BOLT		2
6	505 63 44-01	WASHER		2
7	505 53 63-01	KNOB		2
8	505 53 64-01	WASHER		2
9	505 53 65-01	E-CLIP		2

Go to Discount-Equipment.com to order your parts

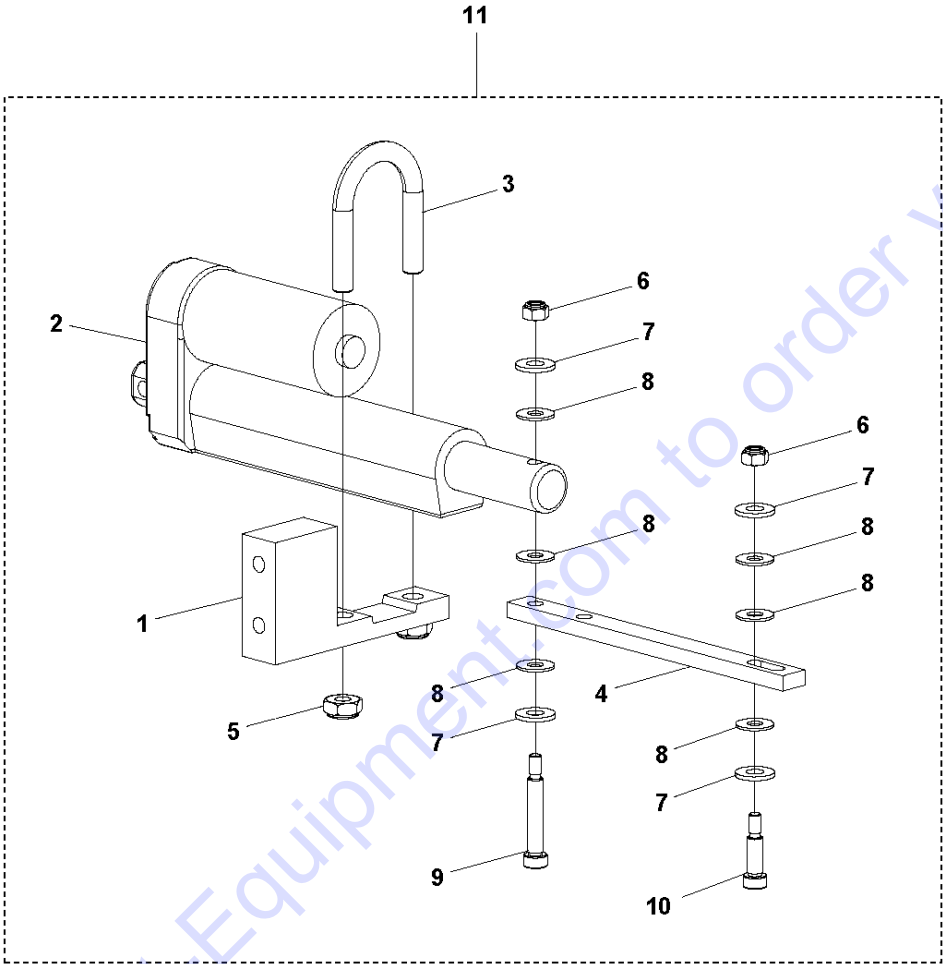
V SOFF CUT X5000
KIT, GUIDE ACTUATOR



Ref	Part No	Description	Remark	QTY	KIT
1	505 79 24-01	BRACKET		1	11
2	575 42 13-01	CLAMP		1	11
3	579 21 51-01	ACTUATOR		1	11
4	505 76 55-01	LINKAGE		1	11
5	505 63 17-01	NUT		2	11
6	505 63 04-01	NUT		1	11
7	505 81 17-01	BOLT		1	11
8	505 68 64-01	BOLT		1	11
9	505 63 20-01	WASHER		2	11
10	505 63 44-01	WASHER		5	11
11	505 84 80-02	KIT	Complete guide	1	

Go to Discount-Equipment.com to order your parts

W SOFF CUT X5000
KIT, THROTTLE ACTUATOR



Go to Discount-Equipment.com to order your parts

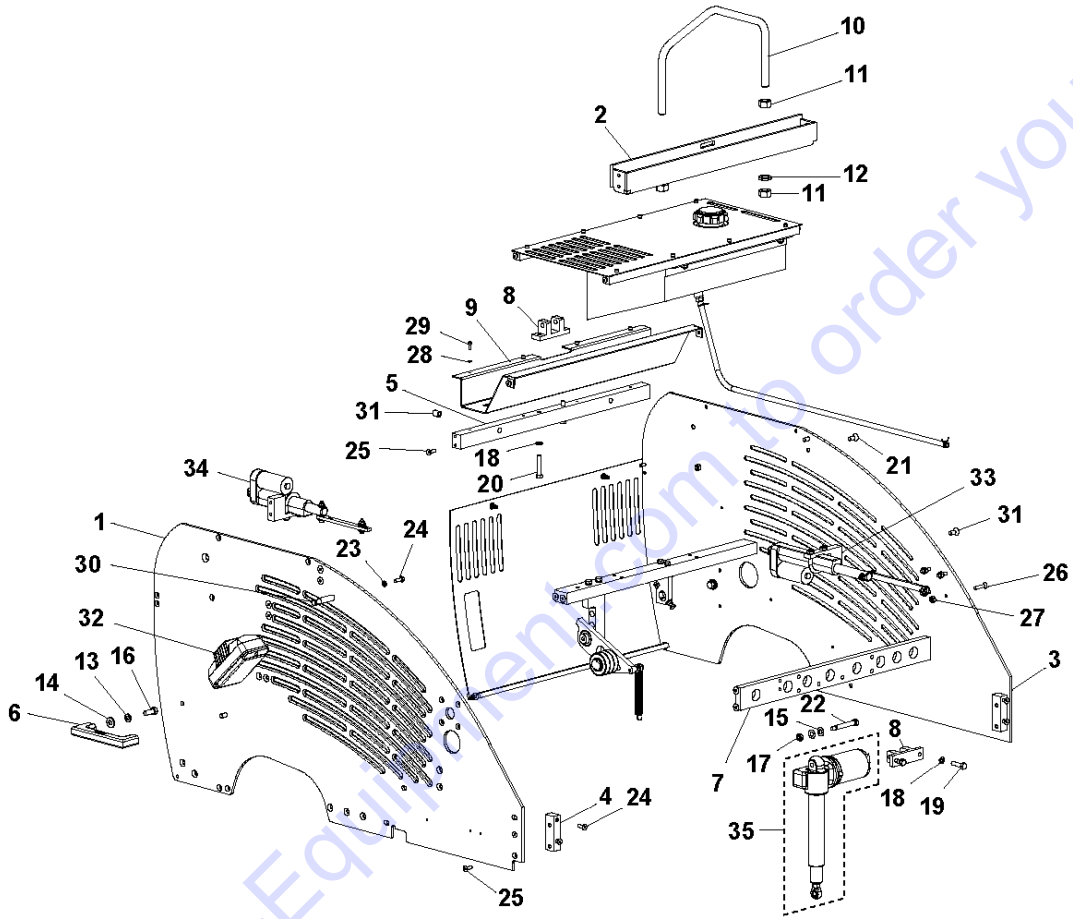
THROTTLE CONTROLS

SOFF CUT 5000, 2022-09

Ref	Part No	Description	Remark	QTY	KIT
1	505 79 24-01	BRACKET		1	11
2	505 74 96-01	ACTUATOR		1	11
3	575 42 13-01	CLAMP		1	11
4	505 79 22-01	LINKAGE		1	11
5	505 63 17-01	NUT		2	11
6	505 63 04-01	NUT		2	11
7	505 63 20-01	WASHER		4	11
8	505 63 44-01	WASHER		4	11
9	505 81 17-01	BOLT		1	11
10	505 72 57-01	BOLT		1	11
11	505 84 79-01	THROTTLE	Complete Throttle Actuator	1	

Go to Discount-Equipment.com to order your parts

X SOFF CUT X5000
PANEL ASSEMBLY



Go to Discount-Equipment.com to order your parts

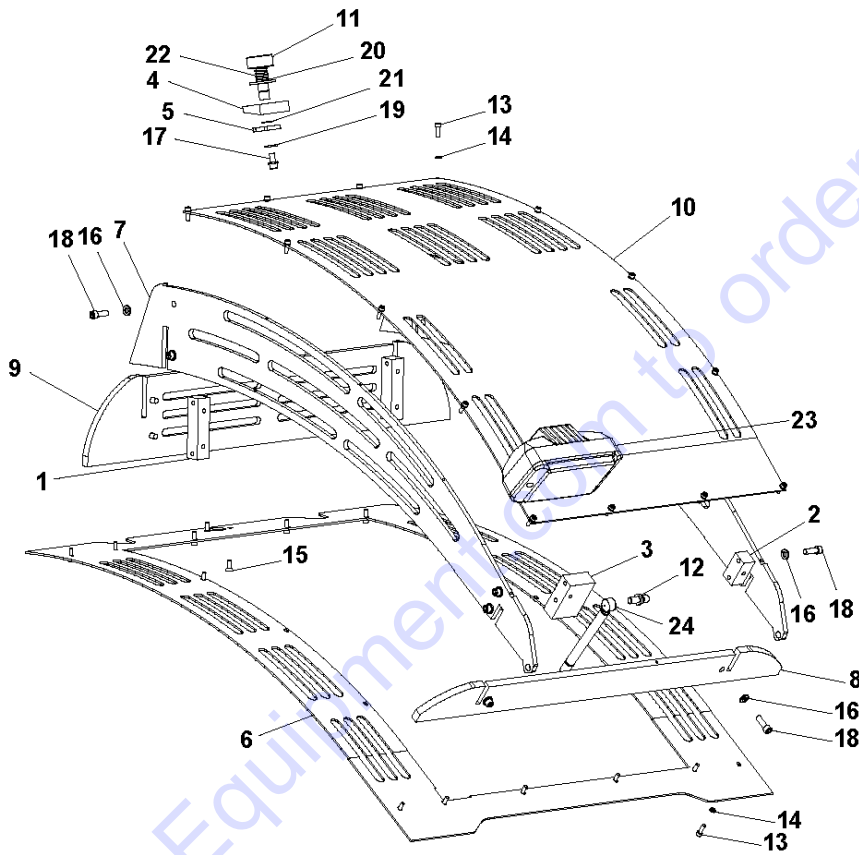
PANEL ASSEMBLY

SOFF CUT 5000, 2022-09

Ref	Part No	Description	Remark	QTY KIT
1	505 66 10-01	PLATE		1
2	505 66 09-01	CROSSBAR		1
3	505 66 12-01	SIDEPLATE. LEFT		1
4	505 66 05-01	BLOCK. PANEL CORNER MOUNT		2
5	505 75 88-01	CROSSBAR		1
6	505 71 69-01	HANDLE		2
7	505 75 60-01	WHEEL		1
8	505 75 70-01	ACTUATOR		2
9	505 66 13-01	PANEL. REAR BIN		1
10	505 60 70-02	BAR		1
11	510 29 86-01	5/8-18 JAM NUT		6
12	505 73 10-01	WASHER		4
13	539 99 01-22	WASHER		4
14	505 63 45-01	WASHER		2
15	505 63 45-01	WASHER	Delrin, 3/8"	4
16	539 99 05-63	SCREW		1
17	505 63 30-01	WASHER		4
18	505 72 84-01	BOLT		2
19	510 29 84-01	5/16-18 X 1 3/4 HEX BOLT GRD5		2
20	505 62 88-01	SCREW		12
21	505 62 72-01	BOLT		1
22	505 63 28-01	WASHER		1
23	505 62 75-01	BOLT		1
24	505 62 86-01	SCREW		14
25	505 77 34-01	SOCKET		4
26	539 97 69-78	NUT		6
27	505 63 31-01	WASHER		4
28	505 72 96-01	BOLT		4
29	510 32 40-01	ARM		1
30	505 74 83-01	INSERT		2
31	505 75 22-01	LIGHT		1
32	505 75 22-01	LIGHT		1
33	505 84 80-02	KIT	Kit, guide actuator, X5000	1
34	505 84 79-02	KIT	Kit, throttle actuator, X5000	1
35	505 84 94-01	ACTUATOR	Kit, blade	1

Go to Discount-Equipment.com to order your parts

Y SOFF CUT X5000
HOOD ASSEMBLY



HOOD

SOFF CUT 5000, 2022-09

Ref	Part No	Description	Remark	QTY KIT
1	505 65 91-01	BLOCK. REAR CORNER HOOD		2
2	505 65 92-01	BLOCK		1
3	505 65 93-01	BLOCK		1
4	505 65 95-01	BLOCK		1
5	505 65 96-01	ARM. HOOD LOCK		1
6	510 32 27-01	PANEL. HOOD SKIRT		1
7	505 65 97-01	PLATE		2
8	505 65 98-01	PLATE. FRONT HOOD		1
9	505 65 99-01	PLATE. REAR HOOD		1
10	510 32 29-01	PANEL. TOP HOOD		1
11	505 66 00-01	HOOD KNOB		1
12	505 73 82-01	BALL JOINT		1
13	505 62 82-01	BOLT		32
14	505 63 27-01	WASHER		32
15	505 72 99-01	SCREW		2
16	505 63 28-01	WASHER		15
17	505 72 23-01	BOLT		1
18	505 62 78-01	BOLT		14
19	505 63 20-01	WASHER		1
20	505 73 14-01	WASHER		1
21	505 64 78-01	SNAP RING		1
22	510 32 56-01	SPRING. HOOD LATCH		1
23	505 75 22-01	LIGHT		1
24	505 73 81-01	DAMPER		1

Go to Discount-Equipment.com to order your parts

PARTS FINDER

**Search Website
by Part Number**



**Search Manual
Library For Parts
Manual & Lookup Part
Numbers – Purchase
or Request Quote**

Search Manuals

Enter your information to help us find the right parts manual for your machine.

* Brand:

* Model:

* Serial:

* Part Number:

SEARCH

**Can't Find Part or
Manual? Request Help
by Manufacturer,
Model & Description**

Parts Order Form

Please fill in the following information to help us find the right part for your machine.

Manufacturer:	<input type="text"/>
Model:	<input type="text"/>
Description:	<input type="text"/>
Part Number:	<input type="text"/>
Quantity:	<input type="text"/>
Notes:	<input type="text"/>

Submit

Discount-Equipment.com is your online resource for quality parts & equipment.

Florida: **561-964-4949** Outside Florida TOLL FREE: **877-690-3101**

Need parts?

Click on this link: <http://www.discount-equipment.com/category/5443-parts/> and choose one of the options to help get the right parts and equipment you are looking for. Please have the machine model and serial number available in order to help us get you the correct parts. If you don't find the part on the website or on one of the online manuals, please fill out the request form and one of our experienced staff members will get back to you with a quote for the right part that your machine needs.

We sell worldwide for the brands: Genie, Terex, JLG, MultiQuip, Mikasa, Essick, Whiteman, Mayco, Toro Stone, Diamond Products, Generac Magnum, Airman, Haulotte, Barreto, Power Blanket, Nifty Lift, Atlas Copco, Chicago Pneumatic, Allmand, Miller Curber, Skyjack, Lull, Skytrak, Tsurumi, Husquvarna Target, Stow, Wacker, Sakai, Mi-T-M, Sullair, Basic, Dynapac, MBW, Weber, Bartell, Bennar Newman, Haulotte, Ditch Runner, Menegotti, Morrison, Contec, Buddy, Crown, Edco, Wyco, Bomag, Laymor, EZ Trench, Bil-Jax, F.S. Curtis, Gehl Pavers, Heli, Honda, ICS/PowerGrit, IHI, Partner, Imer, Clipper, MMD, Koshin, Rice, CH&E, General Equipment, Amida, Coleman, NAC, Gradall, Square Shooter, Kent, Stanley, Tamco, Toku, Hatz, Kohler, Robin, Wisconsin, Northrock, Oztec, Toker TK, Rol-Air, APT, Wylie, Ingersoll Rand / Doosan, Innovatech, Con X, Ammann, Mecalac, Makinex, Smith Surface Prep, Small Line, Wanco, Yanmar