



# SPARE PARTS LIST

EARLY ENTRY SAWS

SOFF CUT 2500, 2022-06

Go to [Discount-Equipment.com](https://Discount-Equipment.com) to order your parts



# PARTS FINDER

**Search Website  
by Part Number**



**Search Manual  
Library For Parts  
Manual & Lookup Part  
Numbers – Purchase  
or Request Quote**

**Search Manuals**

Enter your information to help us find the right parts manual for your machine.

\* Brand:

\* Model:

\* Serial:

\* Part Number:

SEARCH

**Can't Find Part or  
Manual? Request Help  
by Manufacturer,  
Model & Description**

**Parts Order Form**

Please fill in the following information to help us find the right part for your machine.

Manufacturer:	<input type="text"/>
Model:	<input type="text"/>
Description:	<input type="text"/>
Part Number:	<input type="text"/>
Quantity:	<input type="text"/>
Notes:	<input type="text"/>

Submit

Discount-Equipment.com is your online resource for quality parts & equipment.

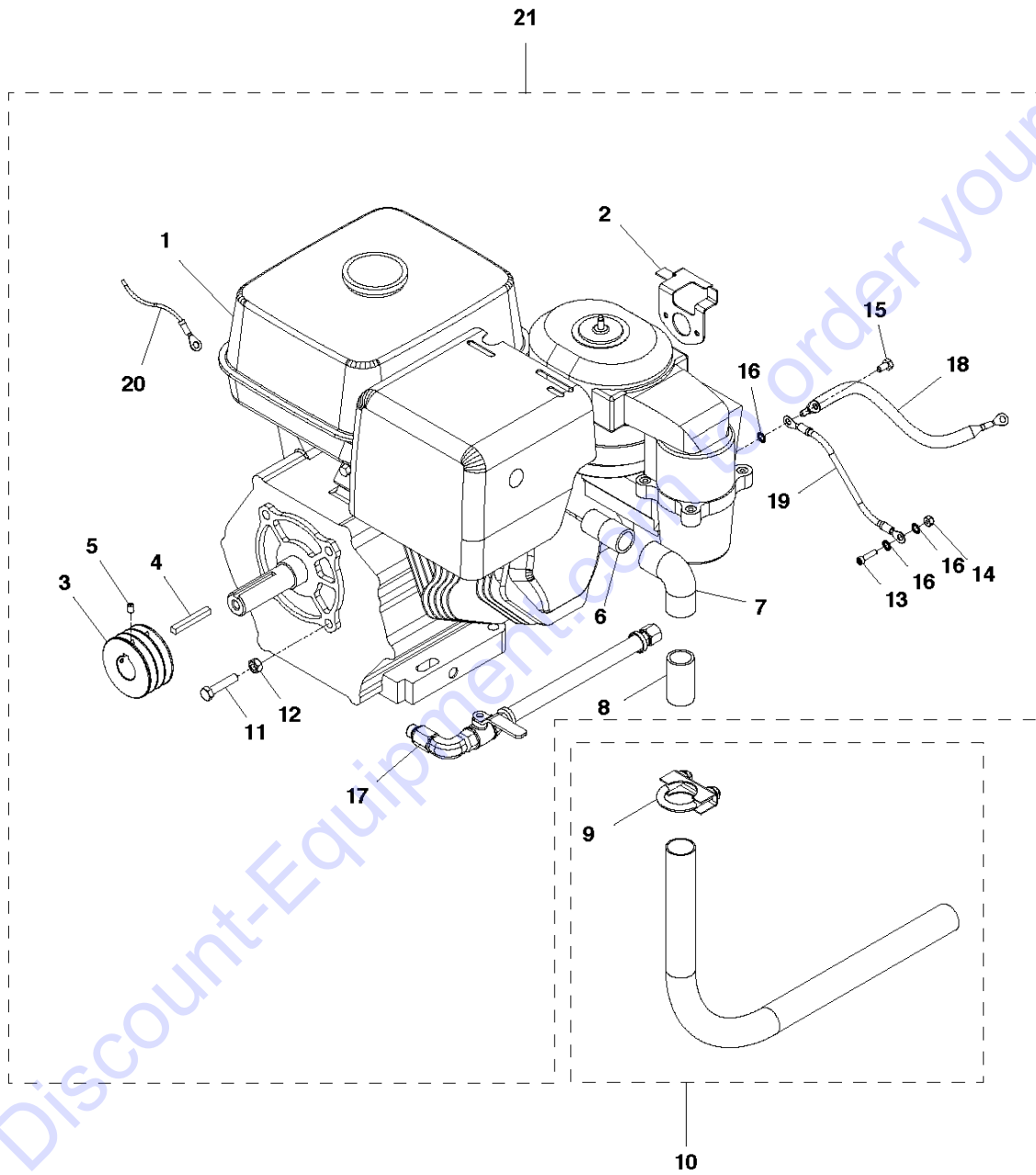
Florida: **561-964-4949** Outside Florida TOLL FREE: **877-690-3101**

**Need parts?**

Click on this link: <http://www.discount-equipment.com/category/5443-parts/> and choose one of the options to help get the right parts and equipment you are looking for. Please have the machine model and serial number available in order to help us get you the correct parts. If you don't find the part on the website or on one of the online manuals, please fill out the request form and one of our experienced staff members will get back to you with a quote for the right part that your machine needs.

We sell worldwide for the brands: Genie, Terex, JLG, MultiQuip, Mikasa, Essick, Whiteman, Mayco, Toro Stone, Diamond Products, Generac Magnum, Airman, Haulotte, Barreto, Power Blanket, Nifty Lift, Atlas Copco, Chicago Pneumatic, Allmand, Miller Curber, Skyjack, Lull, Skytrak, Tsurumi, Husquvarna Target, Stow, Wacker, Sakai, Mi-T-M, Sullair, Basic, Dynapac, MBW, Weber, Bartell, Bennar Newman, Haulotte, Ditch Runner, Menegotti, Morrison, Contec, Buddy, Crown, Edco, Wyco, Bomag, Laymor, EZ Trench, Bil-Jax, F.S. Curtis, Gehl Pavers, Heli, Honda, ICS/PowerGrit, IHI, Partner, Imer, Clipper, MMD, Koshin, Rice, CH&E, General Equipment, Amida, Coleman, NAC, Gradall, Square Shooter, Kent, Stanley, Tamco, Toku, Hatz, Kohler, Robin, Wisconsin, Northrock, Oztec, Toker TK, Rol-Air, APT, Wylie, Ingersoll Rand / Doosan, Innovatech, Con X, Ammann, Mecalac, Makinex, Smith Surface Prep, Small Line, Wanco, Yanmar

**A** SOFF CUT X2500  
ENGINE ASSEMBLY



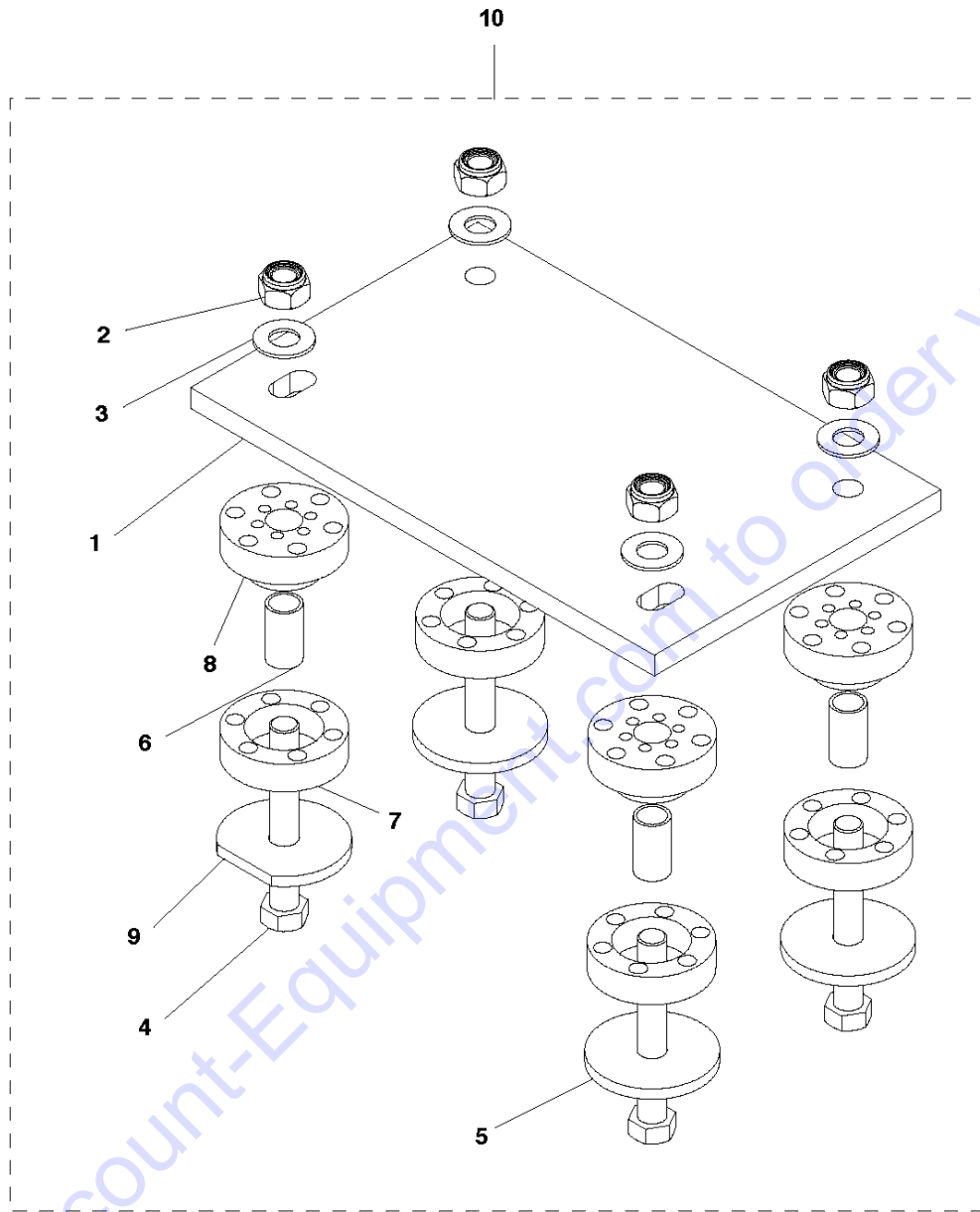
## ENGINE

SOFF CUT 2500, 2022-06

Ref	Part No	Description	Remark	QTY	KIT
1	577 96 12-02	ENGINE		1	21
2	505 74 13-01	BRACKET		1	21
3	505 74 01-01	PULLEY		1	21
4	539 91 02-10	KEY		1	21
5	542 02 05-41	KEY		4	21
6	505 61 14-01	NIPPLE		1	21
7	505 74 30-01	ELBOW		1	21
8	505 74 29-01	NIPPLE		1	21
9	505 74 32-01	CLAMP		1	10
10	505 86 78-01	MUFFLER		1	
11	505 72 78-01	BOLT		2	21
12	505 73 28-01	NUT		2	21
13	505 72 95-01	SHC 10-24 X 3/4 SS(G1 BATTERY)		1	21
14	505 63 04-01	NUT		1	21
15	725 23 66-71	SCREW EHHM		1	21
16	505 73 18-01	WASHER		3	21
17	505 85 75-05	KIT		1	21
18	575 44 66-03	KIT		1	21
19	575 44 66-04	KIT		1	21
20	575 47 79-01	HARNESS		1	21
21	510 27 16-05	ASSEMBLY	Assembled	1	

Go to Discount-Equipment.com to order your parts

**B** SOFF CUT X2500  
MOTOR MOUNT BUSHING



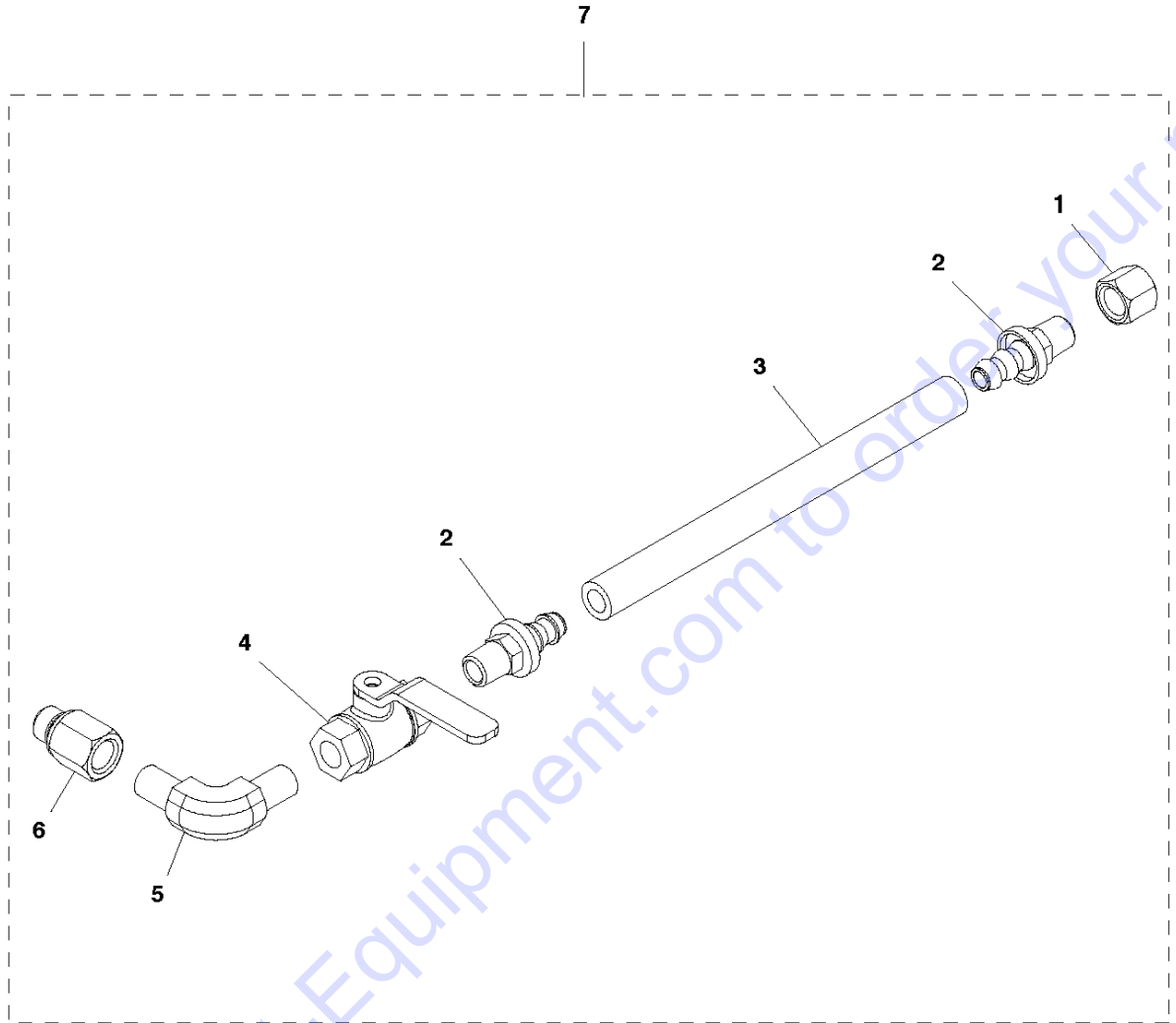
## MOTOR MOUNT BUSHING

SOFF CUT 2500, 2022-06

Ref	Part No	Description	Remark	QTY	KIT
1	505 60 92-02	PLATE		1	10
2	541 20 57-26	NUT		4	10
3	510 30 21-01	WASHER		4	10
4	510 31 76-01	BOLT		4	10
5	505 60 99-01	WASHER		3	10
6	505 60 98-01	SPACER		4	10
7	505 61 02-01	RING		4	10
8	505 61 03-01	BUSHING		4	10
9	505 61 01-01	WASHER		1	10
10	505 85 78-01	MOTOR		1	

Go to [Discount-Equipment.com](https://Discount-Equipment.com) to order your parts

**C** SOFF CUT X2500  
OIL DRAIN



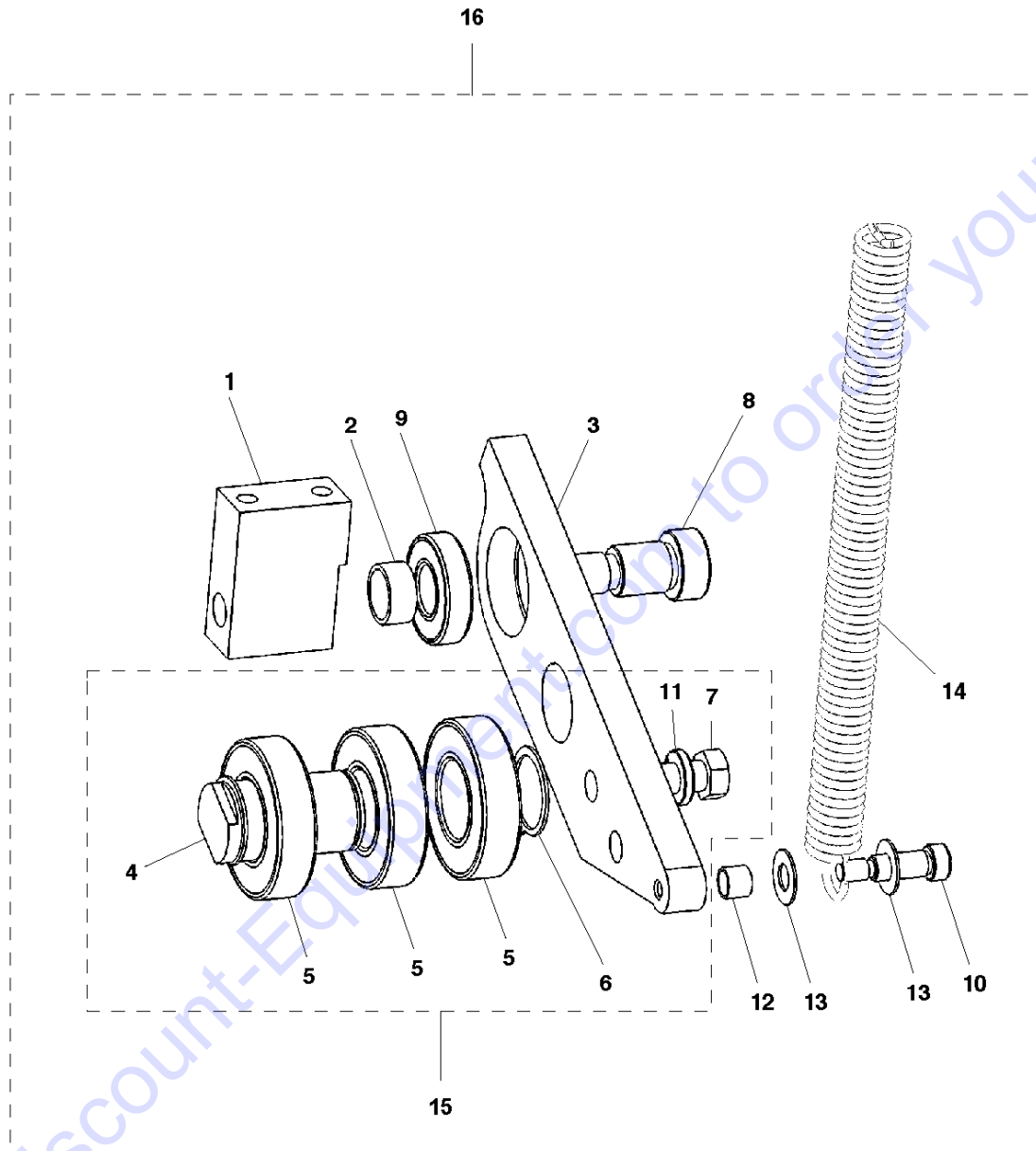
Go to [Discount-Equipment.com](http://Discount-Equipment.com) to order your parts

Ref	Part No	Description	Remark	QTY	KIT
1	505 77 66-01	CAP		1	7
2	505 73 86-01	FITTING		2	7
3	505 73 85-01	HOSE		1	7
4	505 73 89-01	VALVE		1	7
5	505 73 87-01	ADAPTER		1	7
6	505 73 88-01	ADAPTER		1	7
7	505 85 75-05	KIT		1	

Go to [Discount-Equipment.com](https://Discount-Equipment.com) to order your parts



**D** SOFF CUT X2500  
BLADE IDLER PULLEY



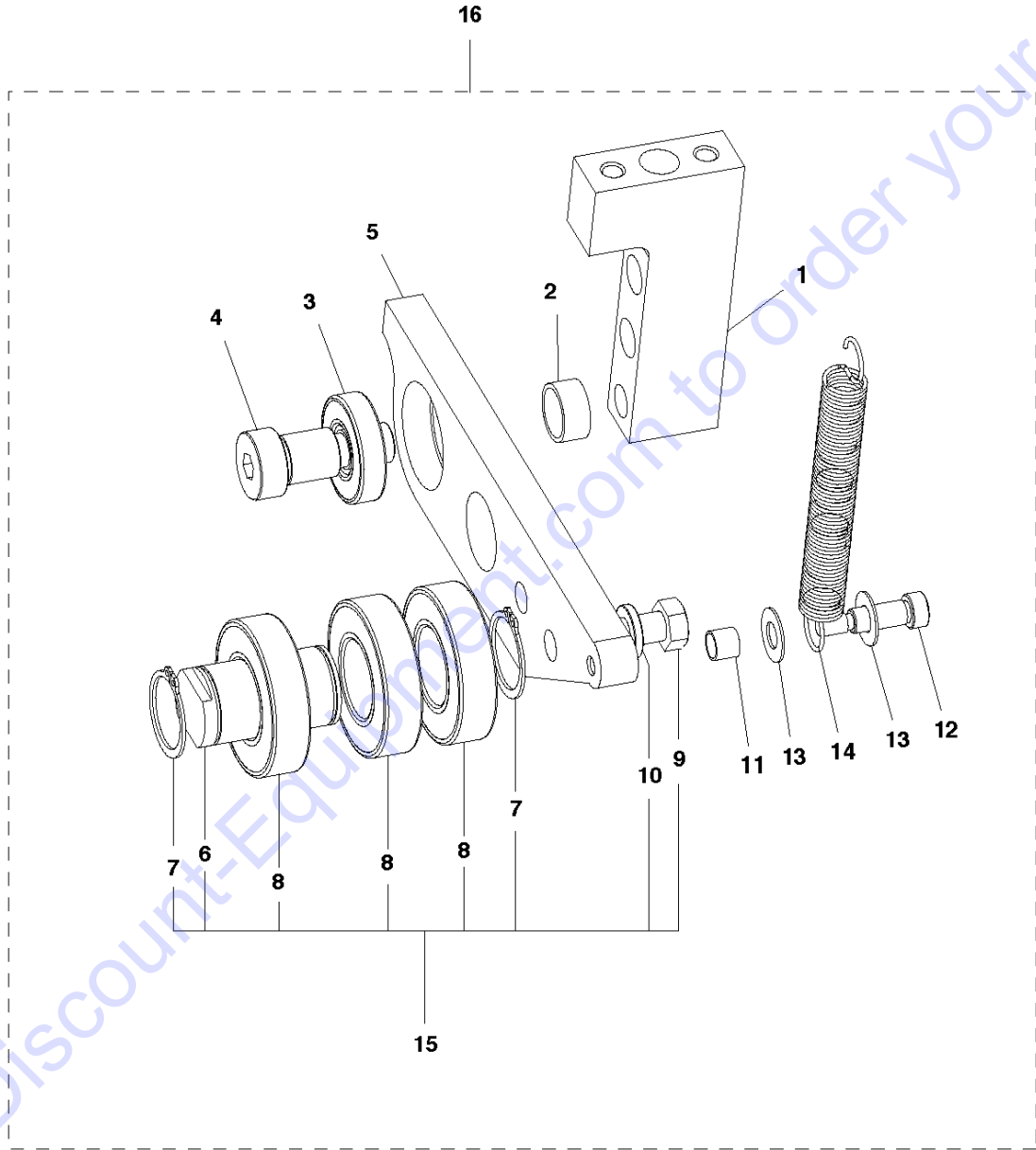
## BLADE IDLER PULLEY

SOFF CUT 2500, 2022-06

Ref	Part No	Description	Remark	QTY KIT
1	505 71 48-01	PULLEY		1
2	505 71 46-02	SPACER		1
3	505 70 69-01	PULLEY		1
4	505 70 68-01	BLADE		1
5	505 73 63-01	WHEEL		3
6	542 20 62-05	SNAP RING		2
7	539 97 69-41	SCREW		1
8	505 72 62-01	BOLT		1
9	505 73 60-01	PULLEY		1
10	505 72 64-01	BOLT		1
11	505 73 10-01	WASHER		1
12	505 71 79-01	BUSHING		1
13	505 72 52-01	WASHER		2
14	505 73 73-01	SPRING		1
15	505 48 34-01	PULLEY		1
16	510 27 17-05	PULLEY ASSY		1

Go to [Discount-Equipment.com](https://Discount-Equipment.com) to order your parts

**E** SOFF CUT X2500  
PUMP IDLER PULLEY



Go to Discount-Equipment.com to order your parts

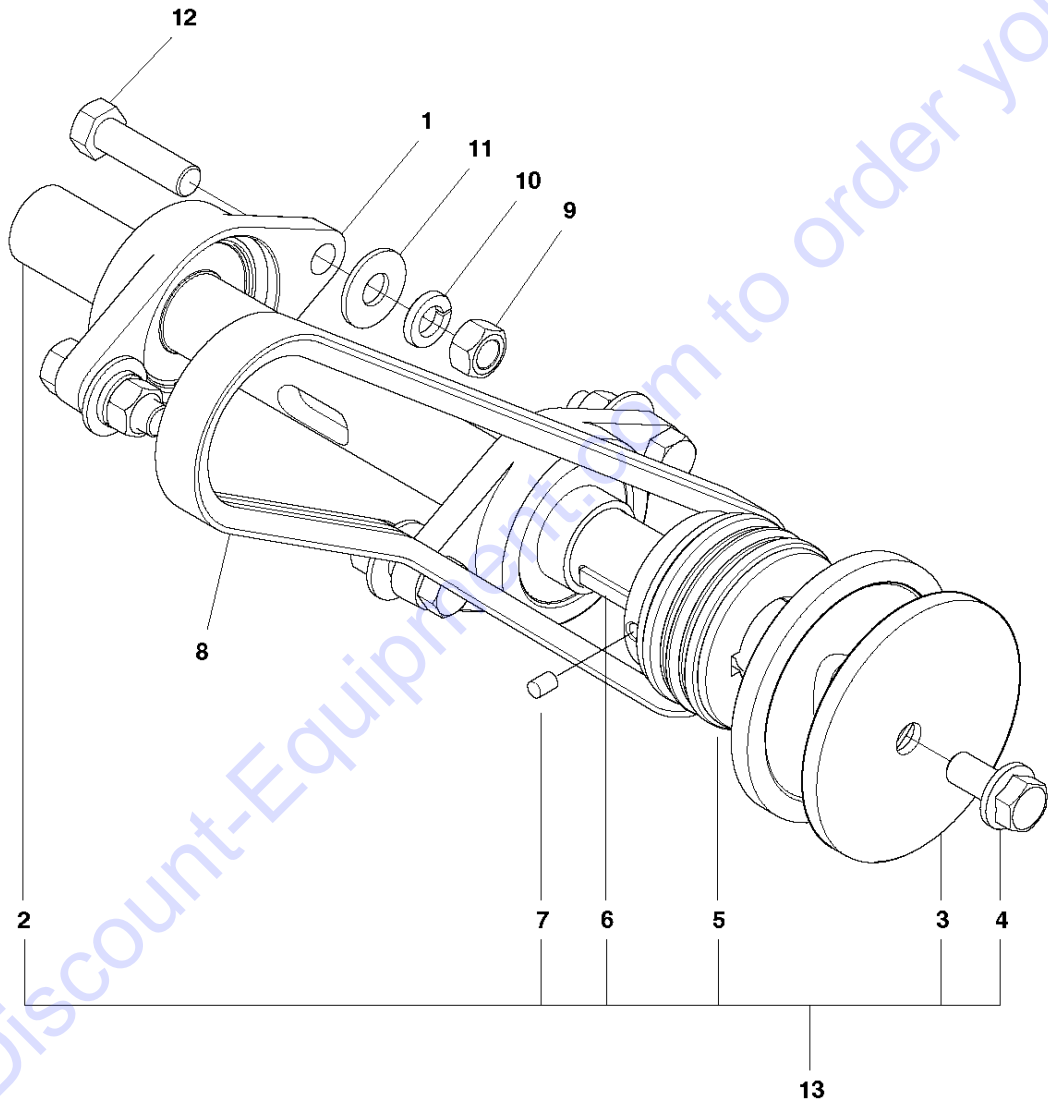
## PUMP IDLER PULLEY

SOFF CUT 2500, 2022-06

Ref	Part No	Description	Remark	QTY	KIT
1	505 71 44-01	PULLEY		1	16
2	505 71 46-02	SPACER		1	16
3	505 73 60-01	PULLEY		1	16
4	505 72 62-01	BOLT		1	16
5	505 70 69-01	PULLEY		1	16
6	505 70 68-01	BLADE		1	15,16
7	542 20 62-05	SNAP RING		2	15,16
8	505 73 63-01	WHEEL		3	15,16
9	539 97 69-41	SCREW		1	15,16
10	505 73 10-01	WASHER		1	15,16
11	505 71 79-01	BUSHING		1	16
12	505 72 64-01	BOLT		1	16
13	505 72 52-01	WASHER		2	16
14	505 73 79-01	SPRING		1	16
15	505 48 34-01	PULLEY		1	16
16	505 85 74-01	PUMP		1	

Go to [Discount-Equipment.com](https://Discount-Equipment.com) to order your parts

**F** SOFF CUT X2500  
BLADE SHAFT ASSEMBLY



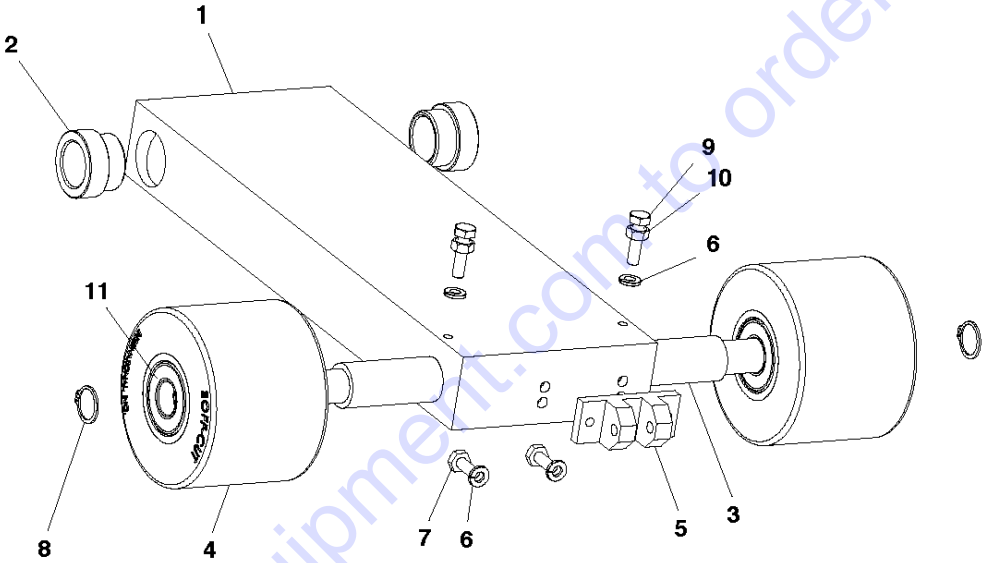
## BLADE SHAFT

SOFF CUT 2500, 2022-06

Ref	Part No	Description	Remark	QTY KIT
1	505 73 65-01	BLADE SHAFT		2
2	505 57 32-03	SHAFT		1
3	505 49 15-04	WASHER		1
4	505 48 37-01	BOLT		1
5	582 04 68-01	PULLEY		1
6	510 31 81-01	KEY		1
7	542 02 05-50	SCREW		4
8	505 74 04-01	BELT		1
9	541 20 48-36	NUT		4
10	505 73 11-01	WASHER		4
11	505 73 14-01	WASHER		4
12	505 72 70-01	BOLT		4
13	505 88 07-01	BLADE SHAFT		1

Go to [Discount-Equipment.com](https://Discount-Equipment.com) to order your parts

**G** SOFF CUT X2500  
FRONT WHEEL CARRIAGE



Go to Discount-Equipment.com to order your parts

## FRONT WHEEL CARRIAGE

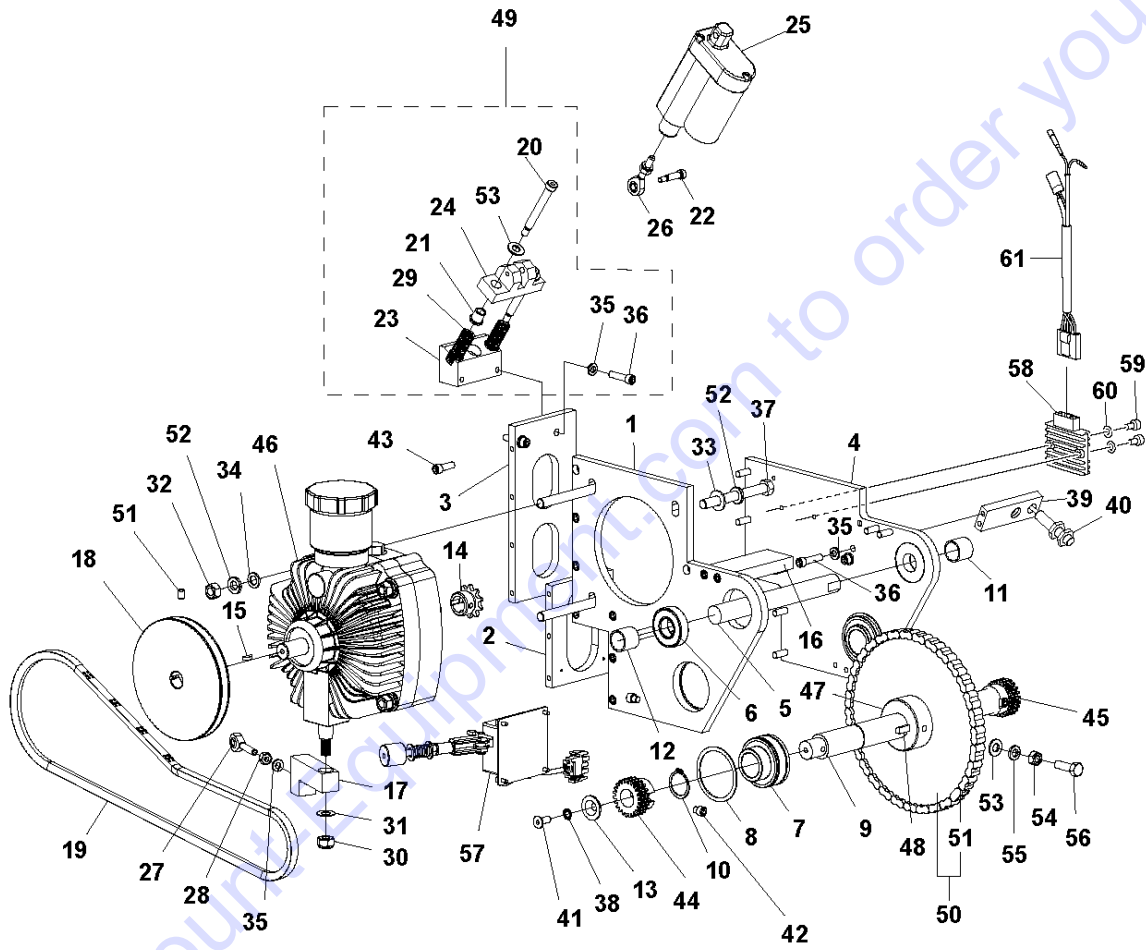
SOFF CUT 2500, 2022-06

Ref	Part No	Description	Remark	QTY KIT
1	505 60 72-01	WHEEL		1
2	505 65 51-01	BUSHING		2
3	505 71 39-01	AXLE		1
4	505 86 62-01	WHEEL		2
5	505 70 62-01	ACTUATOR		1
6	505 63 28-01	WASHER		4
7	505 62 74-01	BOLT		2
8	505 73 35-01	SNAP RING		2
9	505 72 73-01	BOLT		2
10	505 63 19-01	NUT		2
11	505 73 61-01	BEARING		4

Go to [Discount-Equipment.com](https://Discount-Equipment.com) to order your parts



**H** SOFF CUT 2500  
PUMP ASSEMBLY

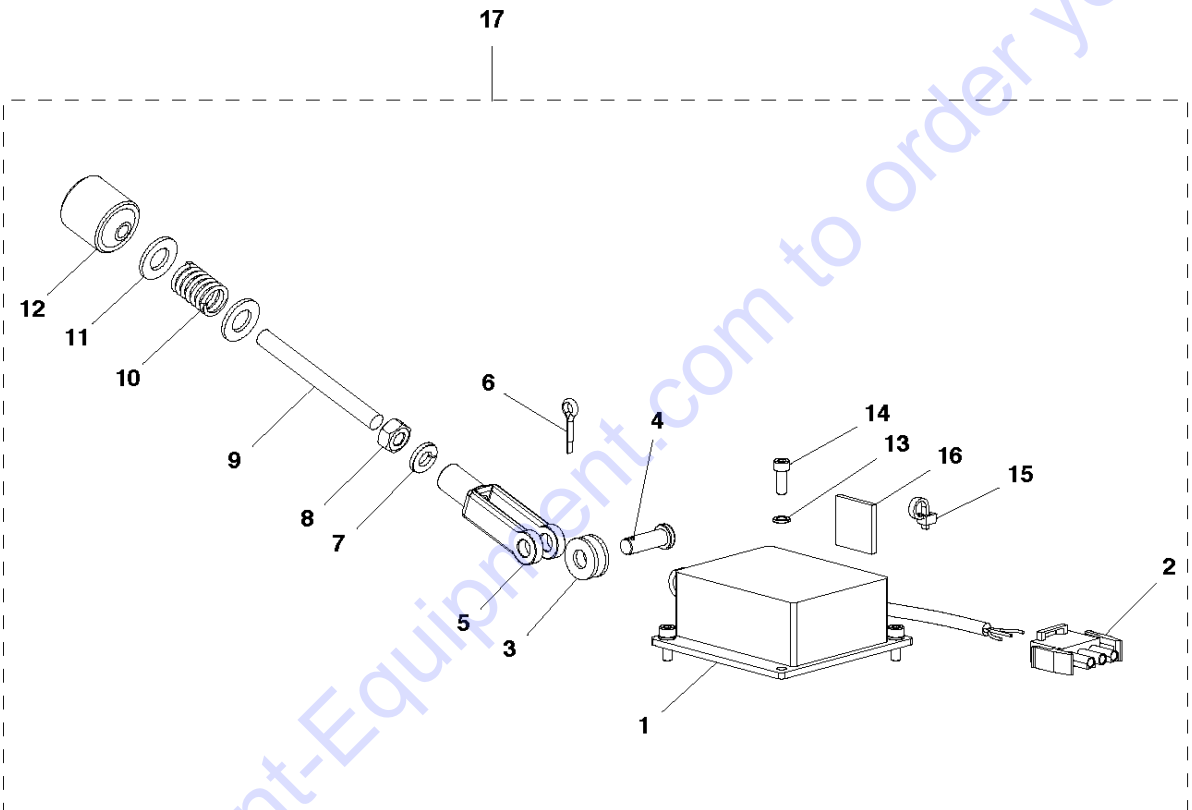


## PUMP

SOFF CUT 2500, 2022-06

Ref	Part No	Description	Remark	QTY	KIT
1	505 70 59-01	PLATE		1	
2	505 70 61-01	PLATE		1	
3	505 70 60-01	ACTUATOR		1	
4	505 60 76-01	PUMP SUPPORT PLATE LEFT		1	
5	505 60 55-01	SHAFT		1	
6	505 73 61-01	BEARING		2	
7	505 68 94-01	SHAFT		2	
8	505 69 02-01	SNAP RING		4	
9	505 60 53-01	DRIVE SHAFT		1	
10	542 20 62-05	SNAP RING		2	
11	505 60 57-01	SPACER		1	
12	505 71 60-01	BUSHING		1	
13	505 76 48-01	WASHER		2	
14	587 65 99-01	SPROCKET		1	
15	539 30 07-49	KEY		1	
16	505 75 67-01	ACTUATOR		1	
17	505 71 49-01	ARM		1	
18	505 73 98-01	PULLEY		1	
19	505 48 40-04	BELT		1	
20	505 81 19-01	GUIDE		2	49
21	505 60 22-01	BEARING		2	49
22	505 72 58-01	BOLT		1	
23	505 71 87-01	BLOCK		1	49
24	580 88 28-01	BRACKET		1	49
25	505 84 46-01	ACTUATOR		1	
26	505 74 34-01	ROD END		1	
27	505 74 34-01	ROD END		1	
28	505 73 29-01	NUT		2	
29	505 60 29-01	SPRING		2	49
30	539 97 69-79	NUT		1	
31	505 63 42-01	WASHER		1	
32	539 99 01-30	NUT		4	
33	539 99 05-17	WASHER		4	
34	505 72 40-01	WASHER		4	
35	505 63 28-01	WASHER		6	49
36	505 62 79-01	BOLT		4	49
37	505 72 77-01	HEX BOLT 3/8-16-3 1/2 CAD GR 5		4	
38	505 73 18-01	WASHER		2	
39	505 60 75-01	BRACKET		1	
40	505 75 41-01	SWITCH		1	
41	505 73 05-01	SCREW		2	
42	505 77 27-01	SCREW		4	
43	505 62 78-01	BOLT		17	
44	505 77 71-01	GEAR WHEEL		1	
45	505 60 24-01	GEAR		1	
46	505 73 83-01	HYDROSTATIC PEDAL ASSY		1	
47	505 73 94-01	SPROCKET		1	
48	510 31 81-01	KEY		1	
49	505 88 29-01	BLOCK		1	
50	505 86 72-01	CHAIN		1	
51	542 02 05-41	KEY		2	
52	505 73 10-01	WASHER		8	
53	539 99 01-88	WASHER		3	49
54	539 99 01-30	NUT		1	
55	505 63 30-01	WASHER		1	
56	539 99 02-09	SCREW		1	
57	505 84 51-01	SPEED CONTROL SYSTEM		1	
58	536 46 15-01	ELECTRIC MODULE	SN 001393041002	1	
59	505 62 79-01	BOLT		2	
60	505 63 28-01	WASHER		2	
61	536 04 88-01	WIRE	SN 001393041002	1	

**J** SOFF CUT X2500  
SPEED CONTROL ACTUATOR



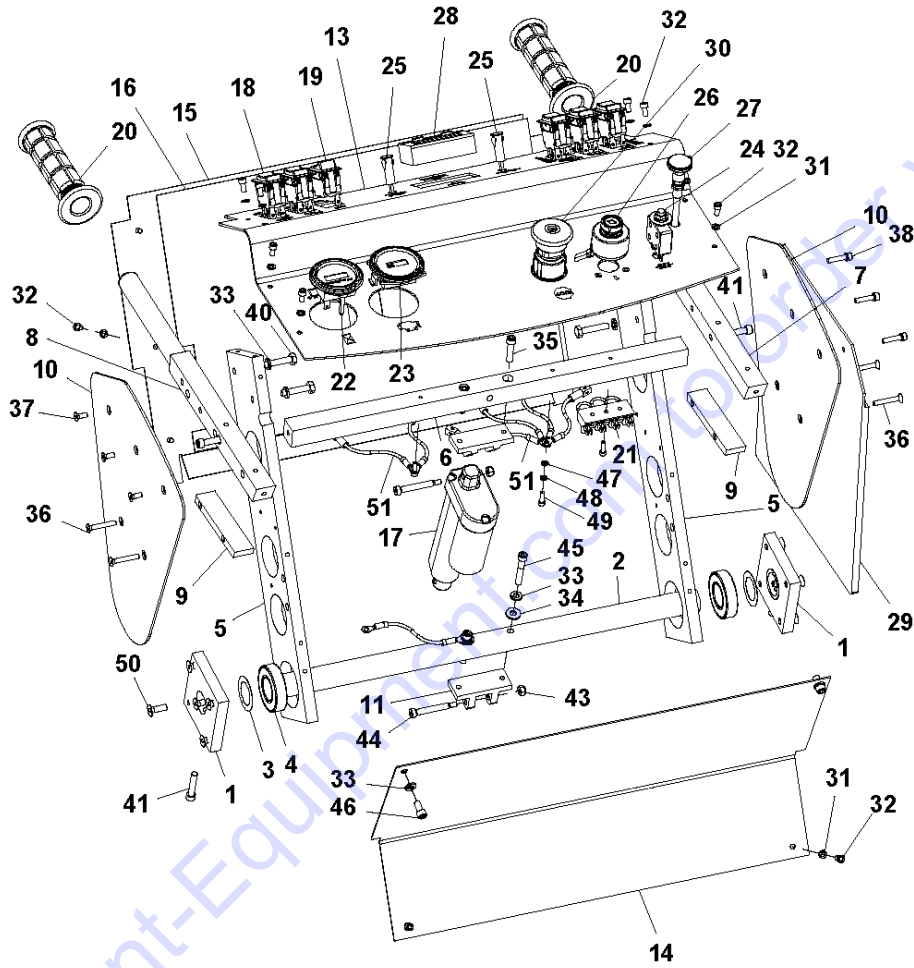
## SPEED CONTROL

SOFF CUT 2500, 2022-06

Ref	Part No	Description	Remark	QTY	KIT
1	505 74 98-01	SPEED CONTROL SYSTEM		1	17
2	505 75 16-01	PLUG		1	17
3	505 63 20-01	WASHER		2	17
4	505 74 35-01	CLEVIS		1	17
5	505 74 33-01	YOKE		1	17
6	505 73 97-01	PIN		1	17
7	505 63 28-01	WASHER		1	17
8	505 73 29-01	NUT		1	17
9	505 77 08-01	STUD		1	17
10	505 77 51-01	SPRING		1	17
11	539 99 00-55	WASHER		2	17
12	505 75 52-01	ADJUSTER		1	17
13	505 63 24-01	WASHER		4	17
14	505 62 76-01	BOLT		4	17
15	510 33 17-01	TIE WRAP		1	17
16	510 33 16-02	TIE WRAP		1	17
17	505 84 51-01	SPEED CONTROL SYSTEM		1	

Go to [Discount-Equipment.com](https://Discount-Equipment.com) to order your parts

**K** SOFF CUT X2500  
CONTROL PANEL ASSEMBLY



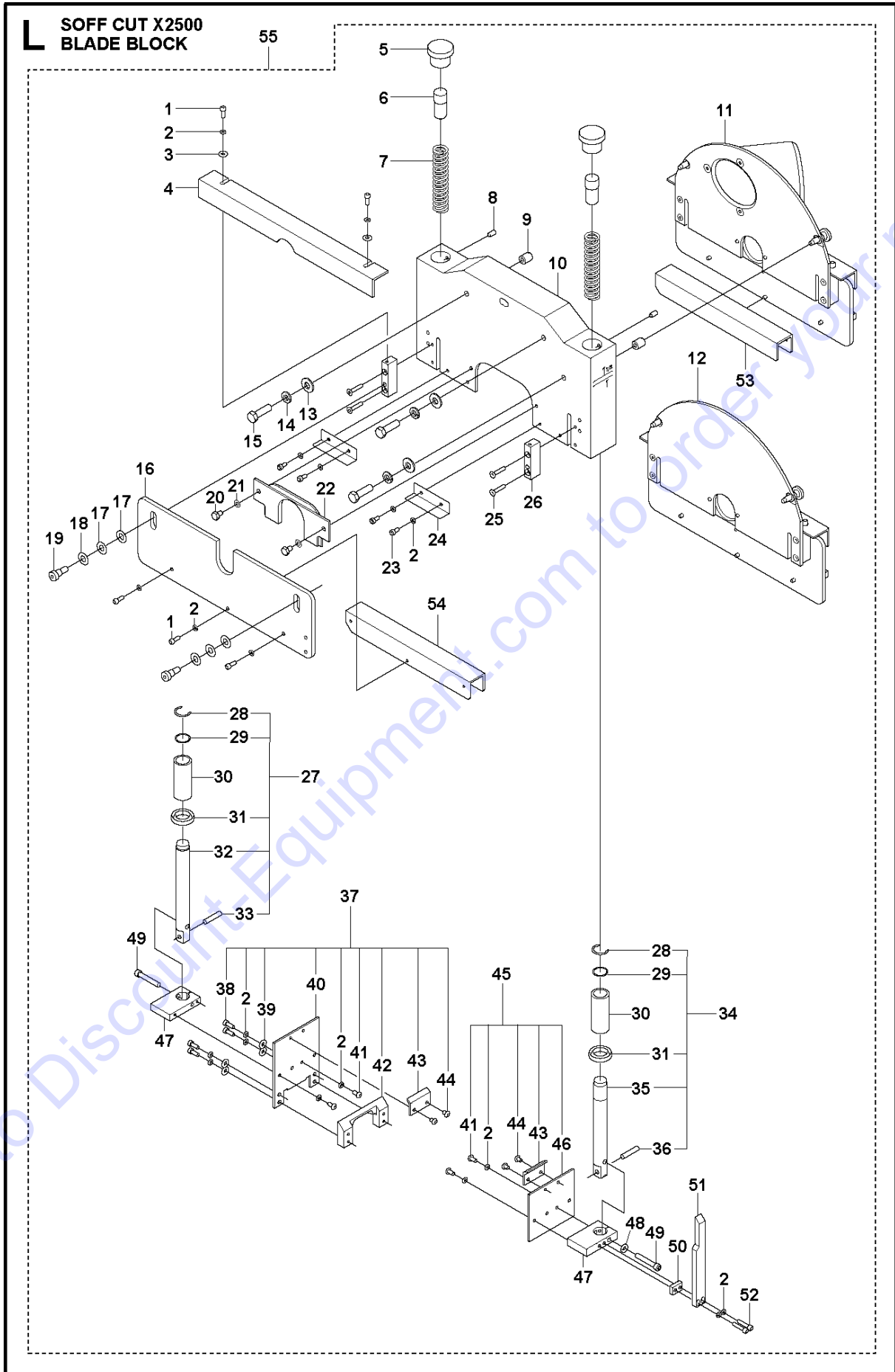
Go to Discount-Equipment.com for your parts

## CONTROL PANEL

SOFF CUT 2500, 2022-06

Ref	Part No	Description	Remark	QTY KIT
1	505 71 21-01	PLATE		2
2	505 71 20-01	SHAFT		1
3	505 73 69-01	SHIM		2
4	505 73 63-01	WHEEL		2
5	505 71 18-01	PLATE		2
6	505 70 84-01	CROSSBAR		1
7	505 70 88-01	HANDLEBAR		1
8	505 70 89-01	HANDLEBAR		1
9	505 60 71-01	SPACER BAR HANDLE		2
10	505 71 19-01	PLATE		2
11	505 70 66-01	BRACKET		2
13	505 60 89-01	CONTROL PANEL SYSTEM		1
14	505 60 64-01	PAN		1
15	505 70 71-01	PANEL		1
16	505 72 02-01	INSULATOR		1
17	505 84 49-01	HANDLE		1
18	505 75 07-01	SWITCH		5
19	589 66 90-01	TOGGLE SWITCH		1
20	505 60 11-01	HANDLE GRIP		2
21	505 75 27-01	BLOCK		1
22	505 70 43-01	METER		1
23	516 02 77-01	KIT		1
24	505 60 51-01	CIRCUIT BREAKER		1
25	505 84 60-01	LIGHT		2
26	576 38 90-03	WIRE ASSY		1
27	505 69 50-01	CHOKE		1
28	505 60 50-01	HOUR METER		1
29	505 72 15-01	JOINT		1
30	505 70 44-01	STOP SWITCH		1
31	505 63 31-01	WASHER		19
32	505 62 77-01	BOLT		16
33	505 63 28-01	WASHER		8
34	505 63 20-01	WASHER		2
35	505 62 79-01	BOLT		2
36	505 72 98-01	SCREW		4
37	505 72 99-01	SCREW		3
38	505 77 28-01	BOLT		3
40	505 72 74-01	BOLT		4
41	505 62 80-01	BOLT		4
43	505 63 04-01	NUT		2
44	505 72 60-01	BOLT		2
45	505 72 88-01	BOLT		2
46	505 72 23-01	BOLT		2
47	505 73 17-01	LK WASH #8 EXT TOOTH		2
48	505 63 27-01	WASHER		2
49	505 62 82-01	BOLT		3
50	505 62 86-01	SCREW		10
51	575 44 66-02	KIT		6

Go to [DisruptiveEquipment.com](http://DisruptiveEquipment.com) to order your parts



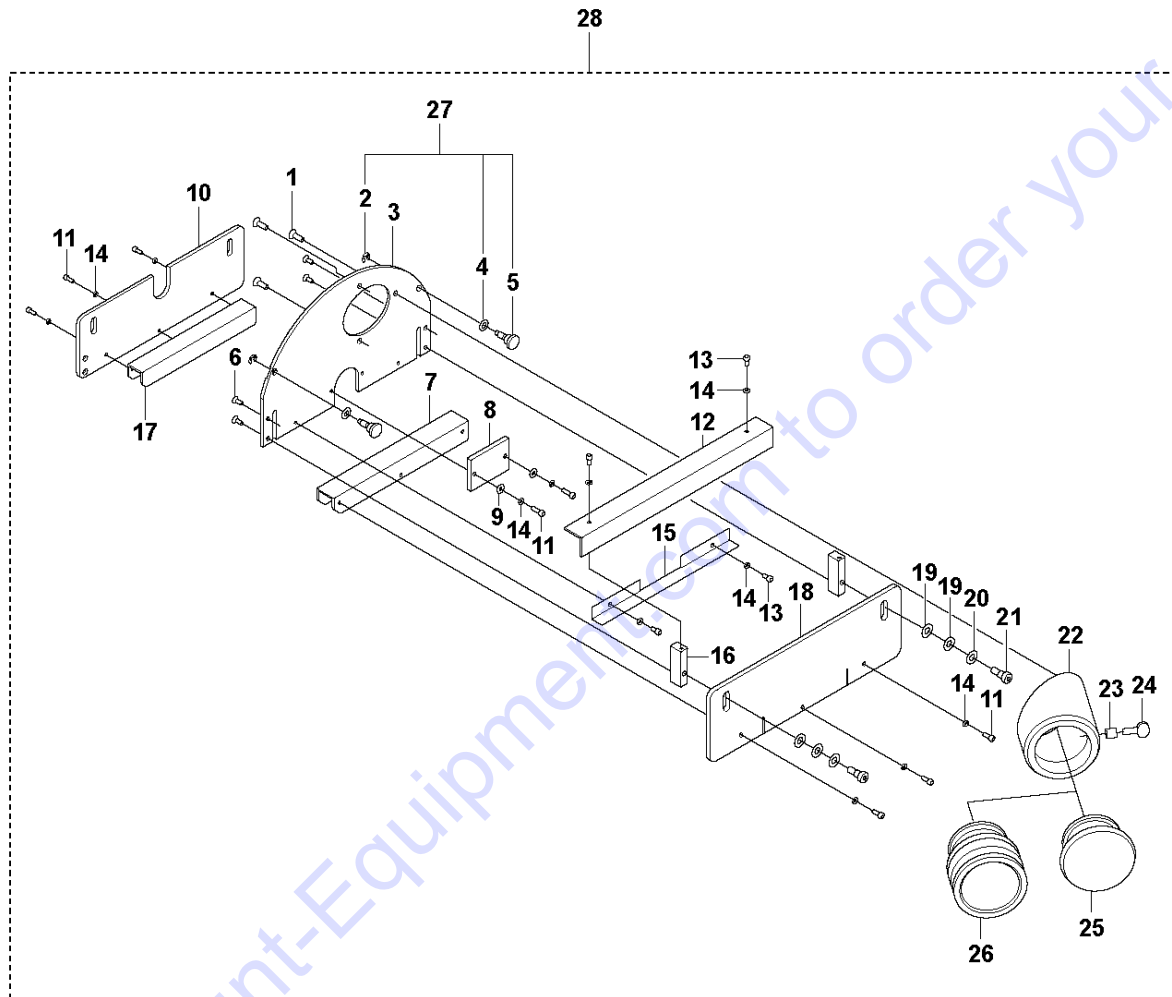
## BLADE BLOCK ASSEMBLY

SOFF CUT 2500, 2022-06

Ref	Part No	Description	Remark	QTY	KIT
1	505 72 96-01	BOLT		6	55
2	505 63 31-01	WASHER		16	37, 45, 55
3	505 63 53-01	WASHER		8	55
4	505 71 06-01	ANGLE BRACKET		1	55
5	505 70 92-01	KNOB		2	55
6	505 70 95-01	ROD		2	55
7	505 73 72-01	SPRING		2	55
8	505 63 00-01	SCREW		2	55
9	505 74 83-01	INSERT		2	55
10	505 70 90-01	BLADE BLOCK		1	55
11	505 49 40-04	COVER		1	55
12	505 85 76-01	BLADE		1	55
13	539 99 01-22	WASHER		3	55
14	505 73 10-01	WASHER		3	55
15	539 97 69-41	SCREW		3	55
16	505 61 07-01	COVER		1	11, 55
17	505 63 45-01	WASHER		4	11, 55
18	505 63 42-01	WASHER		2	11, 55
19	505 72 61-01	BOLT		2	11, 55
20	505 62 73-01	BOLT		2	55
21	505 73 18-01	WASHER		2	55
22	505 71 82-01	INSERT		1	55
23	505 62 77-01	BOLT		4	55
24	505 71 17-01	BRACKET		2	55
25	505 73 00-01	SCREW		4	55
26	505 71 02-01	BLOCK		2	55
27	505 87 91-01	SHAFT		1	55
28	505 73 36-01	SNAP RING		2	27, 34, 55
29	541 40 14-72	RING		2	27, 34, 55
30	505 66 76-01	BUSHING		2	55
31	505 73 80-01	SEAL		2	27, 34, 55
32	505 70 94-01	ROD		1	27, 55
33	505 77 40-01	PIN		1	27, 55
34	505 87 90-01	SHAFT		1	55
35	505 70 93-01	ROD		1	34, 55
36	587 91 82-01	PIN		1	34, 55
37	505 87 95-01	PLATE		1	55
38	505 72 96-01	BOLT		6	37, 55
39	505 63 53-01	WASHER		8	37, 55
40	505 70 98-01	PLATE		1	37, 55
41	505 62 91-01	SCREW		4	37, 45, 55
42	505 71 03-01	BLOCK		1	37, 55
43	505 71 04-01	STEEL		2	37, 45, 55
44	505 62 95-01	SCREW		4	37, 45, 55
45	505 87 94-01	ADAPTER		1	55
46	505 70 97-01	PLATE		1	45, 55
47	505 76 02-01	REAR AXLE		1	55
48	505 63 28-01	WASHER		1	55
49	505 72 87-01	BOLT		2	55
50	505 76 07-01	SPACER		1	55
51	505 60 14-01	ARM		1	55
52	505 77 28-01	BOLT		2	55
53	505 61 06-01	CHANNEL	Channel, outer X2500	1	11, 55
54	505 61 08-01	CHANNEL	Channel, inner X2500	1	11, 55
55	593731301	TBD		1	



**M** SOFF CUT X2500  
BLADE BLOCK COVER - VAC PORT



Go to Discount-Equipment.com to order your parts

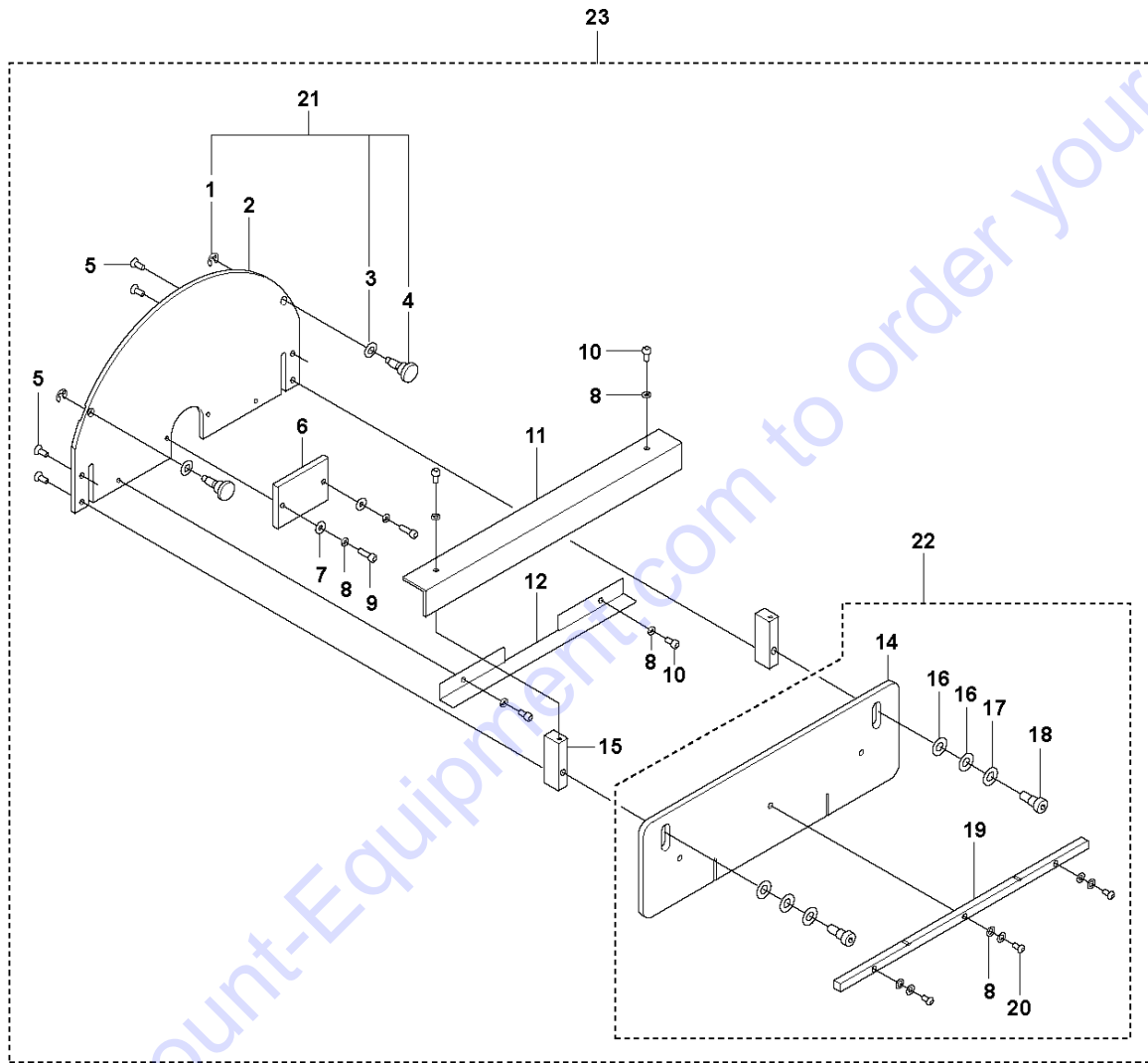
## BLADE BLOCK COVER - VAC PORT

SOFF CUT 2500, 2022-06

Ref	Part No	Description	Remark	QTY	KIT
1	505 73 05-01	SCREW		3	28
2	505 53 65-01	E-CLIP		2	27, 28
3	505 60 93-01	COVER	Cover, B.B. w/ dust port	1	28
4	505 53 64-01	WASHER		2	27, 28
5	505 53 63-01	KNOB		2	27, 28
6	505 72 99-01	SCREW		4	28
7	505 61 06-01	CHANNEL	Channel, outer X2500	1	28
8	505 72 11-01	PLATE		1	28
9	505 63 53-01	WASHER		2	28
10	505 61 07-01	COVER	Cover, inner lexan, X2500	1	28
11	505 72 96-01	BOLT		8	28
12	505 71 05-01	ANGLE BRACKET		1	28
13	505 62 77-01	BOLT		6	28
14	505 63 31-01	WASHER		12	28
15	505 71 16-01	BRACKET		1	28
16	505 71 01-01	BLOCK		2	28
17	505 61 08-01	CHANNEL	Channel, inner X2500	1	28
18	505 61 05-01	COVER	Cover, outer lexan vacuum, X2500	1	28
19	505 63 45-01	WASHER		4	28
20	505 63 42-01	WASHER		2	28
21	505 72 61-01	BOLT		2	28
22	591 35 71-01	TUBE		1	28
23	505 74 83-01	INSERT		1	28
24	505 79 61-01	SCREW		1	28
25	593 21 44-01	PLUG		1	28
26	502 56 96-03	COUPLING	Coupling, 300-E, Male machined	1	28
27	505 48 29-01	KNOB		1	28
28	505 49 40-04	COVER		1	

Go to Discount-Equipment.com to order your parts

**N** SOFF CUT X2500  
BLADE BLOCK COVER - NON VAC PORT



Go to Discount-Equipment.com to order your parts

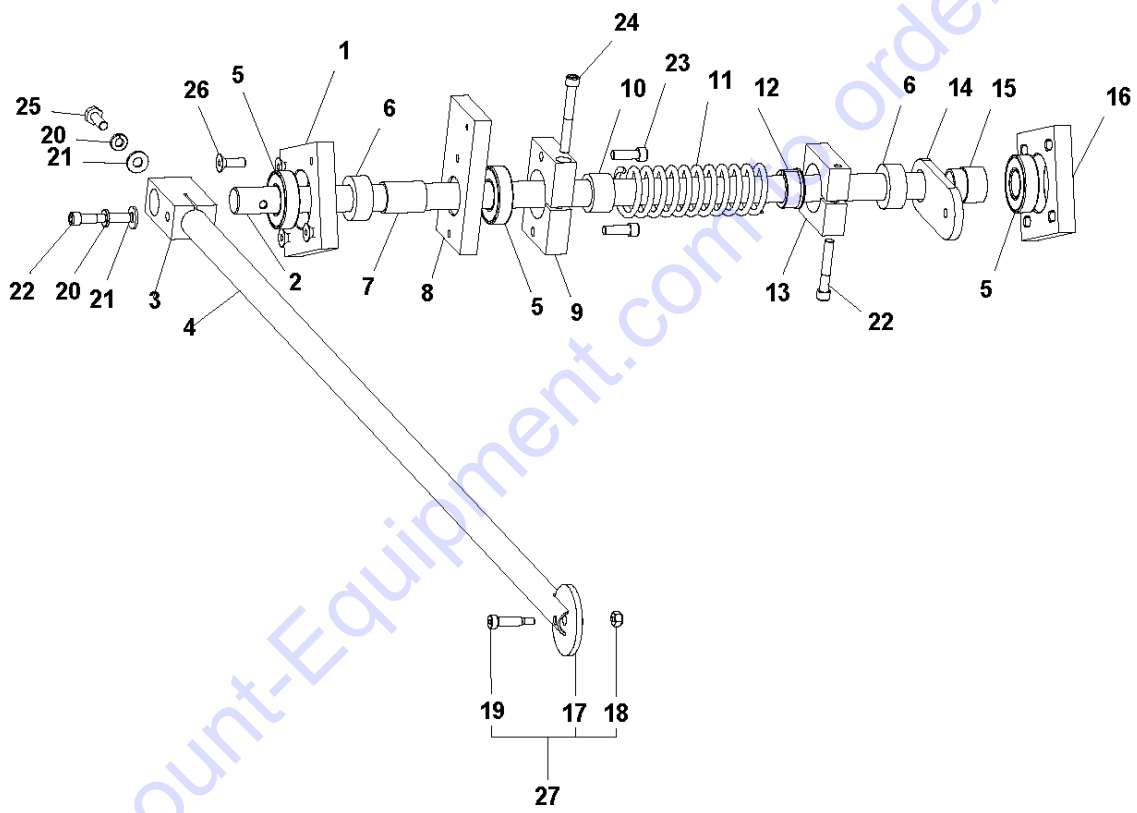
## BLADE BLOCK COVER - NON VAC PORT

SOFF CUT 2500, 2022-06

Ref	Part No	Description	Remark	QTY	KIT
1	505 53 65-01	E-CLIP	1/4" Dia	2	21, 23
2	505 70 91-01	COVER		1	23
3	505 53 64-01	WASHER	Believeile	2	21, 23
4	505 53 63-01	KNOB		2	21, 23
5	505 72 99-01	SCREW		4	23
6	505 72 11-01	PLATE		1	23
7	505 63 53-01	WASHER	Flat, # 10	2	23
8	505 63 31-01	WASHER	Split, # 10	9	22, 23
9	505 72 96-01	BOLT	10-32 x 5/8	2	23
10	505 62 77-01	BOLT	SHCS 10-32 x 3/8	4	23
11	505 71 05-01	ANGLE BRACKET	Angle bracket	1	23
12	505 71 16-01	BRACKET	Angle diverter, BB	1	23
14	505 70 99-01	PLATE	Lexan cover	1	22, 23
15	505 71 01-01	BLOCK	Diverter, Mt	2	23
16	505 63 45-01	WASHER	3/6 delrin	4	22, 23
17	505 63 42-01	WASHER	3/8 steel	2	22, 23
18	505 72 61-01	BOLT	SHSB 3/8 x 3/8	2	22, 23
19	505 70 88-01	HANDLEBAR	Stiffener	1	22, 23
20	505 62 93-01	SCREW	Screw	1	22, 23
21	505 48 29-01	KNOB	Kit	1	23
22	505 87 96-01	PLATE	Kit	1	23
23	505 85 76-01	BLADE	Kit	1	

Go to Discount-Equipment.com to order your parts

**P** SOFF CUT X2500  
GUIDE ARM ASSEMBLY

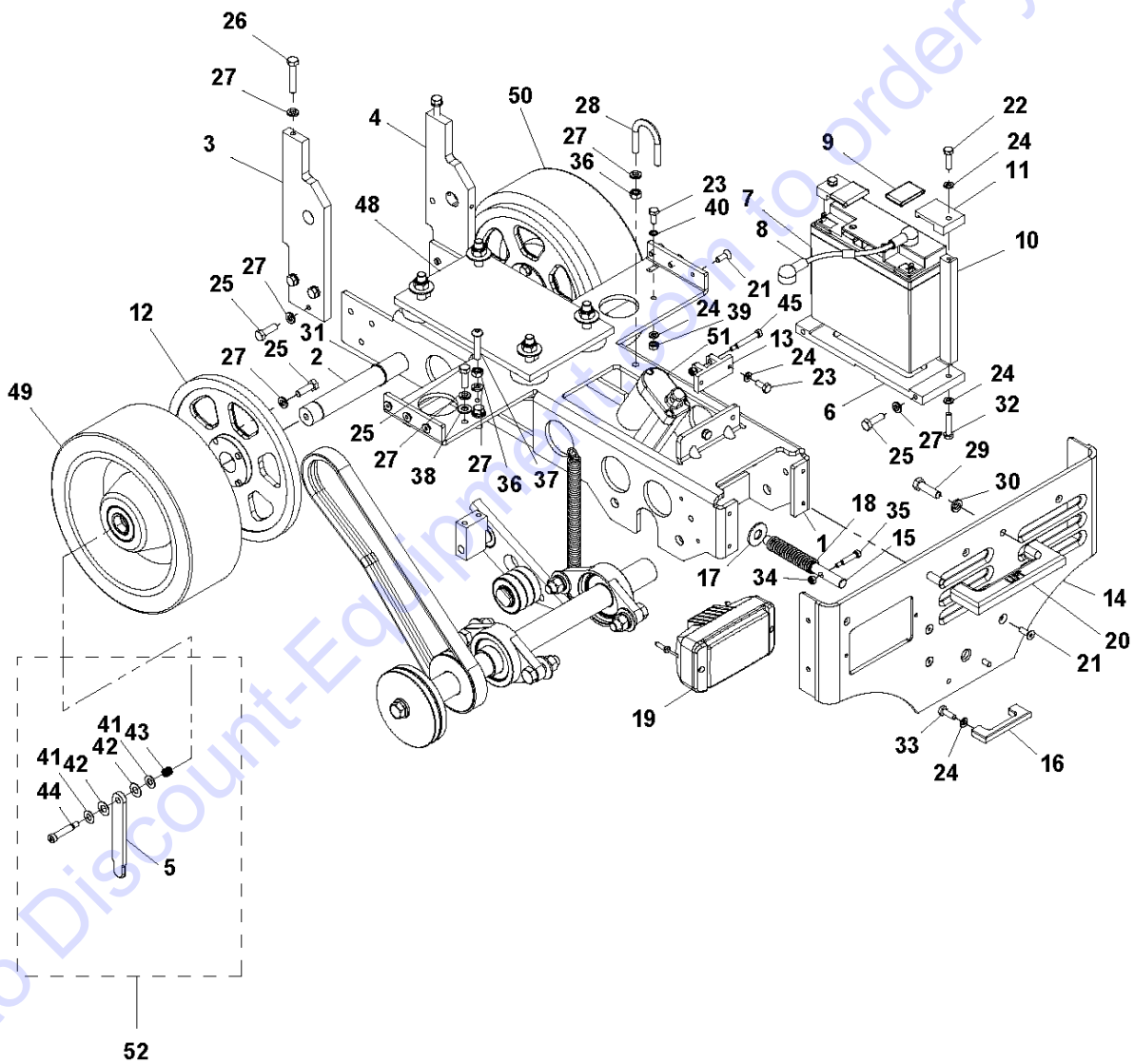


Go to Discount-Equipment.com to order your parts

Ref	Part No	Description	Remark	QTY	KIT
1	505 71 37-01	PLATE		1	
2	505 71 36-01	SHAFT		1	
3	505 70 70-01	BLOCK		1	
4	505 71 35-01	GUIDE		1	
5	505 73 61-01	BEARING		3	
6	505 71 84-01	SHAFT		2	
7	505 71 62-01	BUSHING		1	
8	505 71 71-01	SPRING		1	
9	505 71 72-01	BLOCK		1	
10	505 71 75-01	BUSHING		1	
11	505 73 75-01	SPRING		1	
12	505 71 74-01	BUSHING		1	
13	505 71 73-01	BLOCK		1	
14	505 71 91-01	PLATE		1	
15	505 71 93-01	BUSHING		1	
16	505 71 38-01	PLATE		1	
17	505 61 42-01	DISC		1	27
18	505 63 04-01	NUT		1	27
19	505 72 58-01	BOLT		1	27
20	505 63 28-01	WASHER		2	
21	505 63 20-01	WASHER		2	
22	505 72 88-01	BOLT		2	
23	505 62 78-01	BOLT		2	
24	505 72 89-01	BOLT		1	
25	505 62 75-01	BOLT		1	
26	505 62 86-01	SCREW		4	
27	505 87 77-01	WHEEL		1	

Go to Discount-Equipment.com to order your parts

**Q** SOFF CUT X2500  
MAINFRAME ASSEMBLY



## MAINFRAME

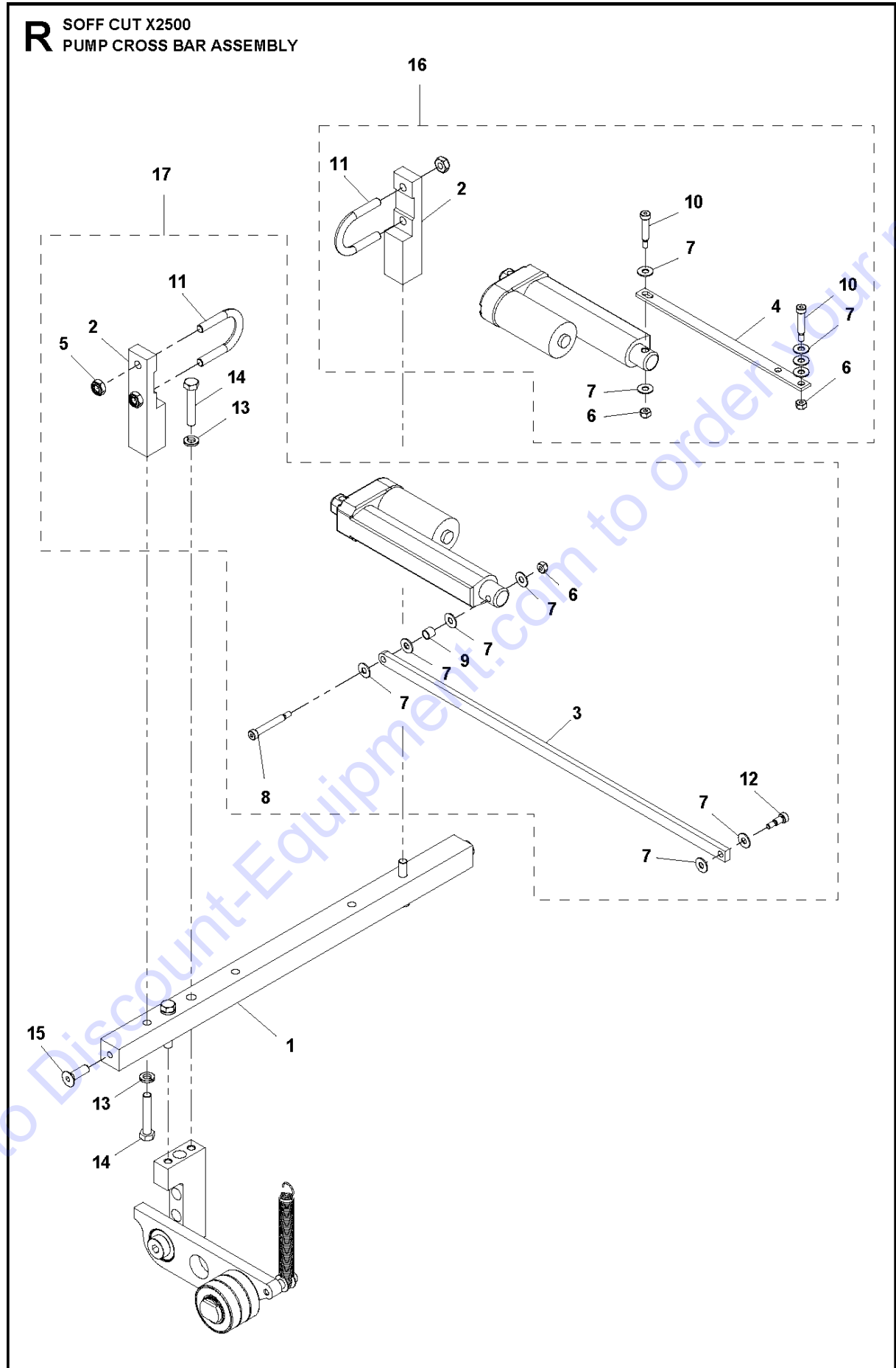
SOFF CUT 2500, 2022-06

Ref	Part No	Description	Remark	QTY KIT
1	505 60 94-01	FRAME		1
2	505 60 54-01	AXLE		1
3	505 70 53-01	ARM		1
4	505 60 74-01	ARM		1
5	505 71 85-01	REAR AXLE		1
6	505 71 40-01	PLATE		1
7	505 74 99-01	BATTERY		1
8	575 47 78-01	WIRE ASSY		1
9	505 74 70-01	COVER		2
10	505 71 80-01	ARM		2
11	505 71 81-01	BLOCK		2
12	505 86 50-01	REAR AXLE		2
13	505 70 66-01	BRACKET		1
14	505 60 52-01	PLATE		1
15	505 71 41-01	SHAFT		1
16	505 71 42-01	SHAFT		1
17	505 73 14-01	WASHER		1
18	505 73 74-01	SPRING		1
19	505 48 50-01	HEADLAMP		1
20	505 71 69-01	HANDLE		1
21	505 62 86-01	SCREW		10
22	505 72 73-01	BOLT		2
23	505 62 74-01	BOLT		3
24	505 63 28-01	WASHER		9
25	539 99 02-09	SCREW		18
26	505 72 85-01	BOLT		2
27	505 63 30-01	WASHER		23
28	575 42 13-01	CLAMP		1
29	539 97 69-41	SCREW		2
30	505 73 10-01	WASHER		2
31	542 20 62-05	SNAP RING		3
32	505 72 74-01	BOLT		2
33	505 62 75-01	BOLT		2
34	505 63 04-01	NUT		2
35	505 72 59-01	BOLT		1
36	505 73 24-01	NUT		3
37	505 72 28-01	BHS 5/16-18-1 1/2 S.S.		1
38	539 99 01-88	WASHER		2
39	505 63 19-01	NUT		1
40	505 73 18-01	WASHER		1
41	505 72 52-01	WASHER		2
42	505 63 45-01	WASHER		2
43	505 63 60-01	SPRING		1
44	505 72 66-01	BOLT		1
45	505 72 60-01	BOLT		1
48	505 85 78-01	MOTOR		1
49	505 86 53-01	WHEEL		1
50	505 86 54-01	WHEEL		1
51	505 84 47-01	BLADE		1
52	505 85 79-01	ARM		1

Go to [DiscountEquipment.com](http://DiscountEquipment.com) to order your parts



**R** SOFF CUT X2500  
PUMP CROSS BAR ASSEMBLY



Go to [Discount-Equipment.com](http://Discount-Equipment.com) to order your parts

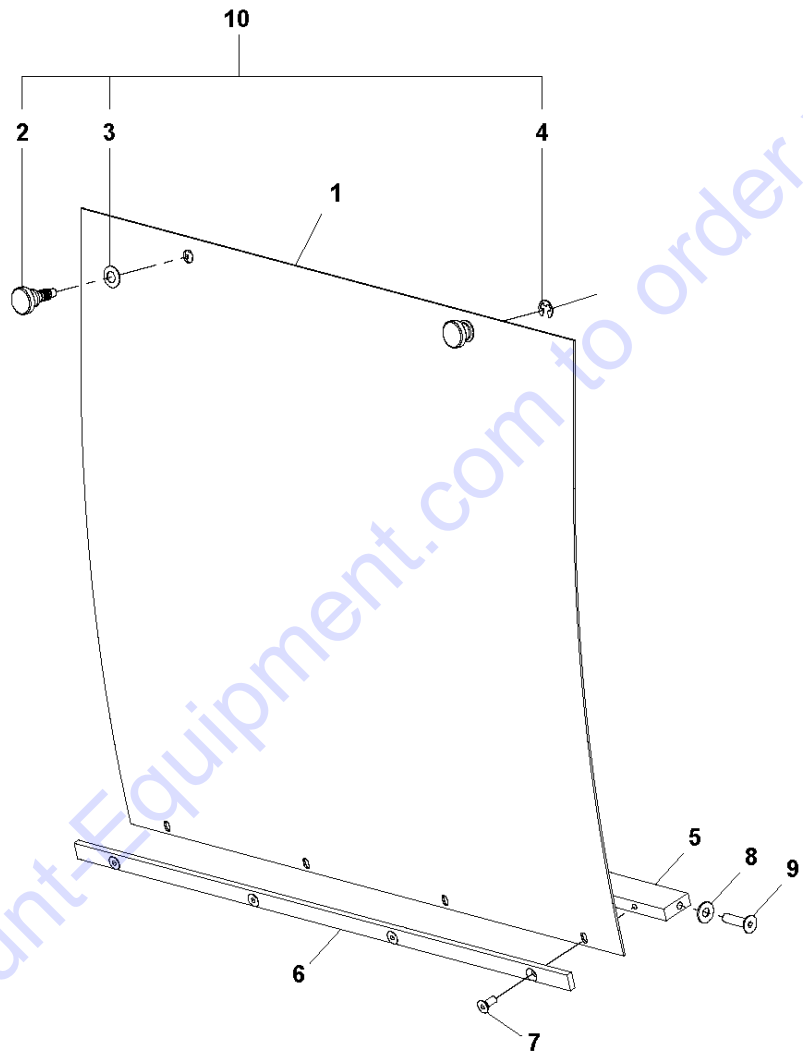
## PUMP CROSS BAR ASSEMBLY

SOFF CUT 2500, 2022-06

Ref	Part No	Description	Remark	QTY	KIT
1	505 60 58-01	CROSSBAR		1	
2	505 61 10-01	BRACKET		2	17
3	505 61 11-01	ARM		1	17
4	505 71 58-01	ARM		1	16
5	505 63 17-01	NUT		4	17
6	505 63 04-01	NUT		3	16,17
7	505 63 44-01	WASHER		11	16
8	505 72 60-01	BOLT		1	17
9	505 71 79-01	BUSHING		1	17
10	505 72 59-01	BOLT		2	16
11	575 42 13-01	CLAMP		2	16,17
12	505 68 64-01	BOLT		1	17
13	505 63 30-01	WASHER		4	17
14	505 72 85-01	BOLT		4	17
15	505 73 01-01	SCREW		2	
16	505 84 48-01	THROTTLE		1	
17	505 84 50-01	ACTUATOR		1	
18	579 21 51-01	ACTUATOR		1	
19	505 74 96-01	ACTUATOR		1	

Go to Discount-Equipment.com to order your parts

**S** SOFF CUT X2500  
REAR ACCESS ASSEMBLY



Go to Discount-Equipment.com to order your parts

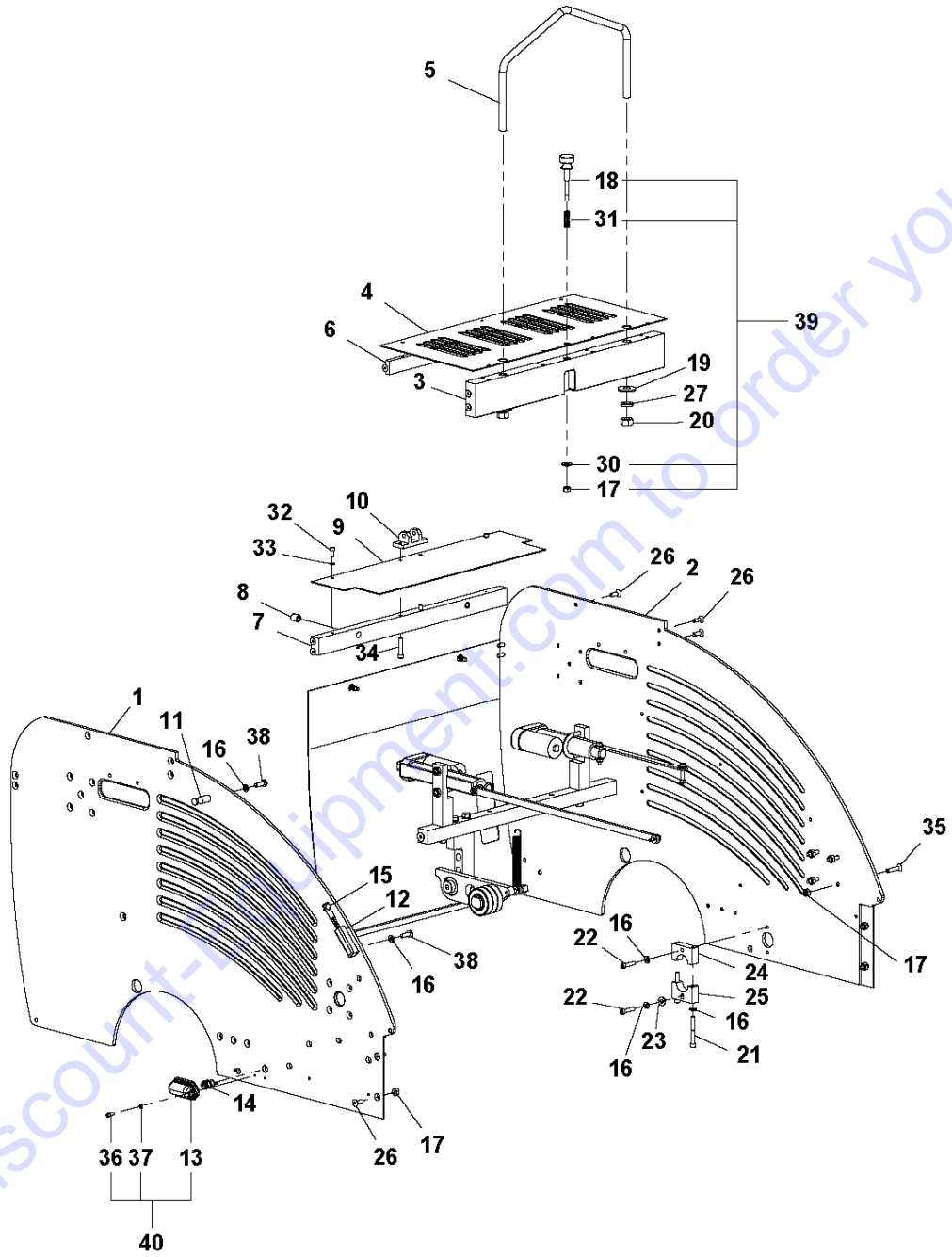
## REAR ACCESS ASSEMBLY

SOFF CUT 2500, 2022-06

Ref	Part No	Description	Remark	QTY KIT
1	505 60 96-01	PANEL		1
2	505 53 63-01	KNOB		2
3	505 53 64-01	WASHER		2
4	505 53 65-01	E-CLIP		2
5	505 71 70-01	CROSSBAR		1
6	505 71 94-01	BRACE		1
7	505 72 99-01	SCREW		4
8	505 63 44-01	WASHER		2
9	505 62 87-01	SCREW		2
10	505 48 29-01	KNOB		1

Go to [Discount-Equipment.com](https://Discount-Equipment.com) to order your parts

**T** SOFF CUT X2500  
PANEL ASSEMBLY



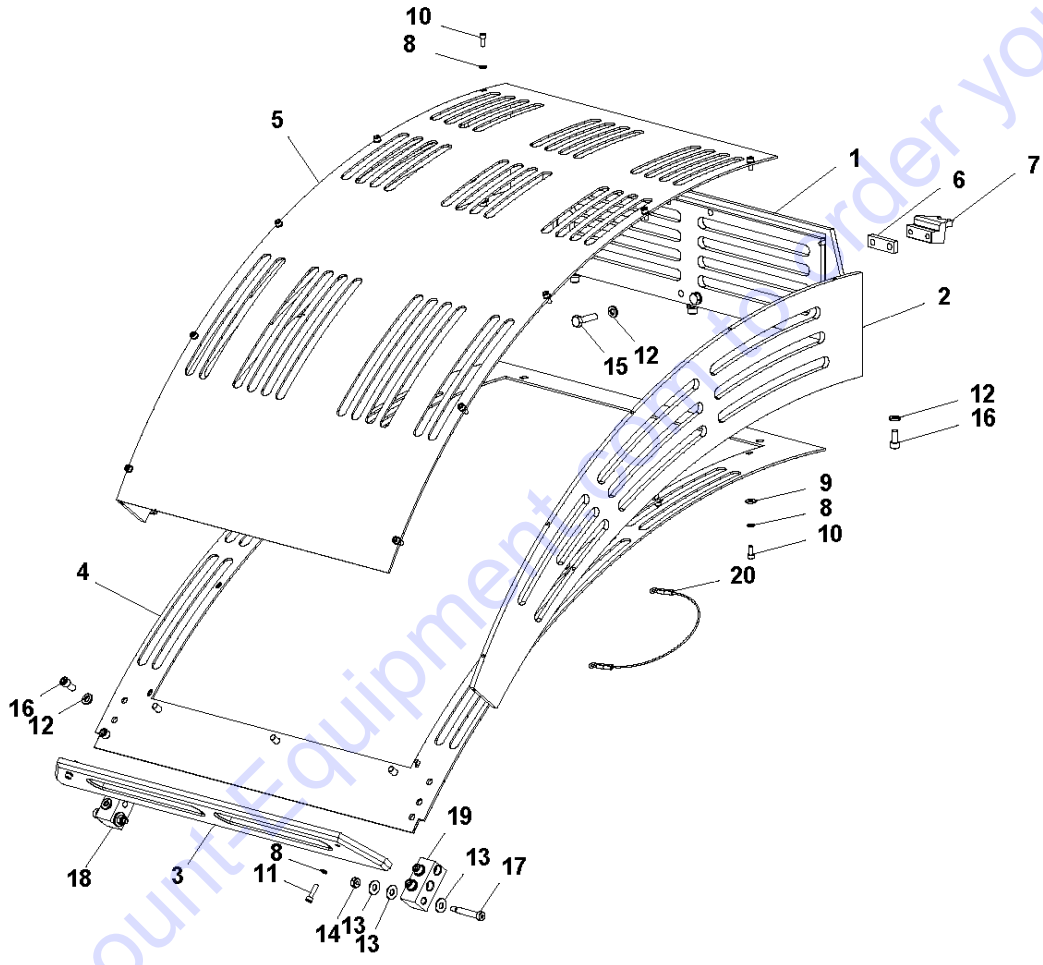
PANEL ASSEMBLY

SOFF CUT 2500, 2022-06

Ref	Part No	Description	Remark	QTY KIT
1	505 60 65-01	SIDE PLATE (RIGHT)		1
2	505 60 66-01	SIDE PLATE (LEFT)		1
3	505 60 69-01	CROSSBAR		1
4	505 60 68-01	PAN		1
5	505 60 70-01	BAR		1
6	505 70 86-01	CROSSBAR		1
7	505 70 85-01	CROSS BAR (REAR ACCESS PANEL)		1
8	505 74 83-01	INSERT		3
9	505 70 73-01	PANEL. COVER (HANDLE ACT. CROS		1
10	505 70 65-01	ACTUATOR		1
11	505 71 86-01	ROD		1
12	505 71 77-01	HOUSING		1
13	505 75 25-01	LIGHT		1
14	505 78 78-01	SENSOR		1
15	505 84 60-01	LIGHT		1
16	505 63 28-01	WASHER		6
17	505 63 05-01	NYLOC NUT 1/4-20 CAD PL.		9
18	505 76 72-01	HOOD		1
19	505 73 14-01	WASHER		2
20	505 73 33-01	NUT		2
21	505 72 89-01	BOLT		2
22	505 62 79-01	BOLT		2
23	505 63 20-01	WASHER		1
24	505 71 67-01	BLOCK		1
25	505 71 68-01	BLOCK		1
26	505 62 86-01	SCREW		14
27	505 73 11-01	WASHER		2
30	539 99 00-55	WASHER		1
31	505 73 71-01	SPRING		9
32	505 72 96-01	BOLT		2
33	505 63 31-01	WASHER		2
34	505 62 80-01	BOLT		2
35	505 77 34-01	SOCKET		4
36	505 62 82-01	BOLT		2
37	505 63 27-01	WASHER		2
38	505 62 75-01	BOLT		2
39	505 88 66-01	KNOB		1
40	505 48 69-01	LAMP		1

Go to Discount-Equipment.com to order your parts

**U** SOFF CUT X2500  
HOOD ASSEMBLY



Go to DiscountEquipment.com to order your parts

## HOOD

SOFF CUT 2500, 2022-06

Ref	Part No	Description	Remark	QTY KIT
1	505 71 25-01	REAR PLATE HOOD		1
2	505 60 85-01	SIDE HOOD PANEL		2
3	505 71 24-01	PLATE		1
4	505 60 84-01	HOOD		1
5	505 60 83-01	HOOD		1
6	505 64 34-01	SPACER		1
7	505 71 95-01	BLOCK		1
8	505 63 27-01	WASHER		24
9	505 82 26-01	WASHER		10
10	505 62 81-01	BOLT		20
11	505 72 91-01	BOLT		4
12	505 63 28-01	WASHER		12
13	505 63 44-01	WASHER		6
14	505 63 04-01	NUT		2
15	505 72 73-01	BOLT		2
16	505 72 23-01	BOLT		10
17	505 81 17-01	BOLT		2
18	505 71 31-01	BLOCK		1
19	505 71 30-01	BLOCK		1
20	505 86 52-01	WIRE		1

Go to [Discount-Equipment.com](https://Discount-Equipment.com) to order your parts



# PARTS FINDER

**Search Website  
by Part Number**



**Search Manual  
Library For Parts  
Manual & Lookup Part  
Numbers – Purchase  
or Request Quote**

**Search Manuals**

Enter your information to help us find the right parts manual for your machine.

\* Brand:

\* Model:

\* Serial:

\* Part Number:

SEARCH

**Can't Find Part or  
Manual? Request Help  
by Manufacturer,  
Model & Description**

**Parts Order Form**

Please fill in the following information to help us find the right part for your machine.

Manufacturer:	<input type="text"/>
Model:	<input type="text"/>
Description:	<input type="text"/>
Part Number:	<input type="text"/>
Quantity:	<input type="text"/>
Notes:	<input type="text"/>

Discount-Equipment.com is your online resource for quality parts & equipment.

Florida: **561-964-4949** Outside Florida TOLL FREE: **877-690-3101**

**Need parts?**

Click on this link: <http://www.discount-equipment.com/category/5443-parts/> and choose one of the options to help get the right parts and equipment you are looking for. Please have the machine model and serial number available in order to help us get you the correct parts. If you don't find the part on the website or on one of the online manuals, please fill out the request form and one of our experienced staff members will get back to you with a quote for the right part that your machine needs.

We sell worldwide for the brands: Genie, Terex, JLG, MultiQuip, Mikasa, Essick, Whiteman, Mayco, Toro Stone, Diamond Products, Generac Magnum, Airman, Haulotte, Barreto, Power Blanket, Nifty Lift, Atlas Copco, Chicago Pneumatic, Allmand, Miller Curber, Skyjack, Lull, Skytrak, Tsurumi, Husquvarna Target, Stow, Wacker, Sakai, Mi-T-M, Sullair, Basic, Dynapac, MBW, Weber, Bartell, Bennar Newman, Haulotte, Ditch Runner, Menegotti, Morrison, Contec, Buddy, Crown, Edco, Wyco, Bomag, Laymor, EZ Trench, Bil-Jax, F.S. Curtis, Gehl Pavers, Heli, Honda, ICS/PowerGrit, IHI, Partner, Imer, Clipper, MMD, Koshin, Rice, CH&E, General Equipment, Amida, Coleman, NAC, Gradall, Square Shooter, Kent, Stanley, Tamco, Toku, Hatz, Kohler, Robin, Wisconsin, Northrock, Oztec, Toker TK, Rol-Air, APT, Wylie, Ingersoll Rand / Doosan, Innovatech, Con X, Ammann, Mecalac, Makinex, Smith Surface Prep, Small Line, Wanco, Yanmar