

SPARE PARTS CATALOGUE

EARLY ENTRY SAWS: HUSQVARNA CONSTRUCTION PRODUCTS SOFF CUT 2500

Spare Parts List



Go to Discount-Equipment.com to order your parts

PARTS FINDER

**Search Website
by Part Number**



**Search Manual
Library For Parts
Manual & Lookup Part
Numbers – Purchase
or Request Quote**

Search Manuals

Enter your information to help us find the right part for your machine.

* Brand:

* Model:

* Serial:

* Part Number:

SEARCH

**Can't Find Part or
Manual? Request Help
by Manufacturer,
Model & Description**

Parts Order Form

Please fill in the following information to help us find the right part for your machine.

Manufacturer:	<input type="text"/>
Model:	<input type="text"/>
Description:	<input type="text"/>
Part Number:	<input type="text"/>
Quantity:	<input type="text"/>
Notes:	<input type="text"/>
Submit	<input type="button" value="Submit"/>

Discount-Equipment.com is your online resource for quality parts & equipment.

Florida: **561-964-4949** Outside Florida TOLL FREE: **877-690-3101**

Need parts?

Click on this link: <http://www.discount-equipment.com/category/5443-parts/> and choose one of the options to help get the right parts and equipment you are looking for. Please have the machine model and serial number available in order to help us get you the correct parts. If you don't find the part on the website or on one of the online manuals, please fill out the request form and one of our experienced staff members will get back to you with a quote for the right part that your machine needs.

We sell worldwide for the brands: Genie, Terex, JLG, MultiQuip, Mikasa, Essick, Whiteman, Mayco, Toro Stone, Diamond Products, Generac Magnum, Airman, Haulotte, Barreto, Power Blanket, Nifty Lift, Atlas Copco, Chicago Pneumatic, Allmand, Miller Curber, Skyjack, Lull, Skytrak, Tsurumi, Husquvarna Target, Stow, Wacker, Sakai, Mi-T-M, Sullair, Basic, Dynapac, MBW, Weber, Bartell, Bennar Newman, Haulotte, Ditch Runner, Menegotti, Morrison, Contec, Buddy, Crown, Edco, Wyco, Bomag, Laymor, EZ Trench, Bil-Jax, F.S. Curtis, Gehl Pavers, Heli, Honda, ICS/PowerGrit, IHI, Partner, Imer, Clipper, MMD, Koshin, Rice, CH&E, General Equipment, Amida, Coleman, NAC, Gradall, Square Shooter, Kent, Stanley, Tamco, Toku, Hatz, Kohler, Robin, Wisconsin, Northrock, Oztec, Toker TK, Rol-Air, APT, Wylie, Ingersoll Rand / Doosan, Innovatech, Con X, Ammann, Mecalac, Makinex, Smith Surface Prep, Small Line, Wanco, Yanmar

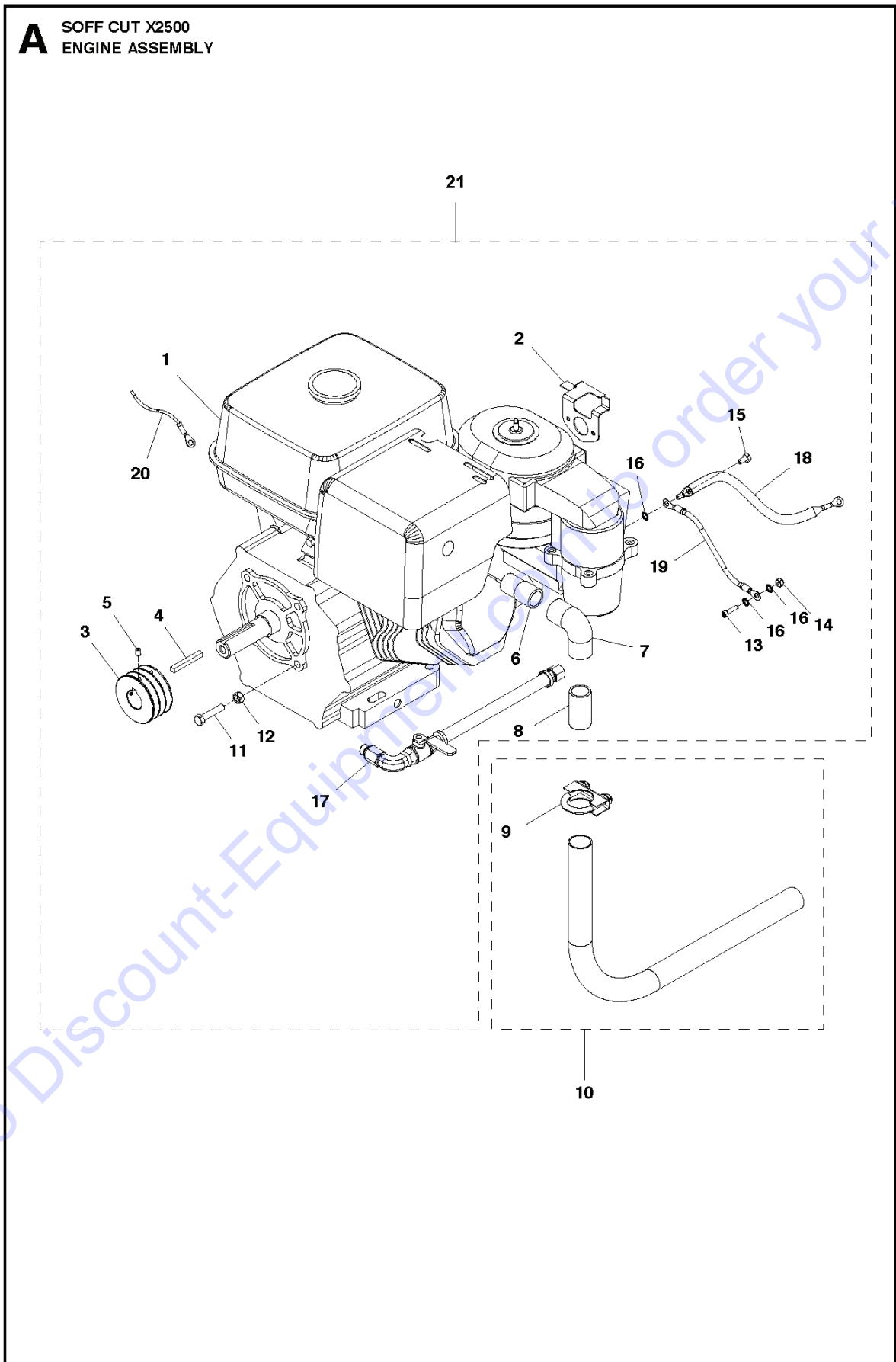
SPARE PARTS LIST

EARLY ENTRY SAWS

HUSQVARNA CONSTRUCTION
PRODUCTS SOFF CUT 2500

Go to Discount-Equipment.com to order your parts

A SOFF CUT X2500
ENGINE ASSEMBLY

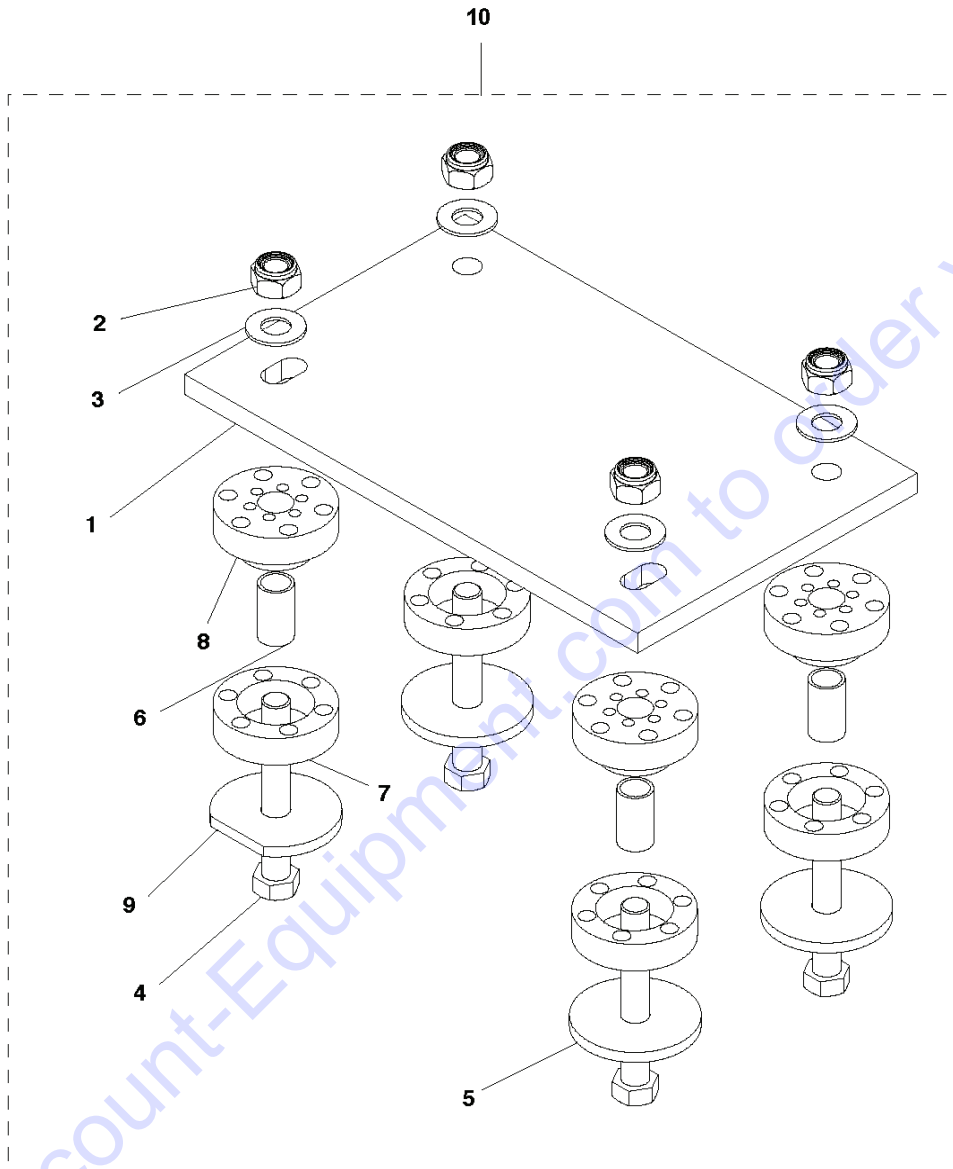


EARLY ENTRY SAWS

PXM_REF	PXM_PARTNO	DESCRIPTION	PXM_REMARK	QTY.
1	577961202	ENGINE		1 21
2	505741301	BRACKET		1 21
3	505740101	PULLEY		1 21
4	539910210	KEY		1 21
5	542020541	KEY		4 21
6	505611401	NIPPLE		1 21
7	505743001	ELBOW		1 21
8	505742901	NIPPLE		1 21
9	505743201	CLAMP		1 10
10	505867801	MUFFLER		1
11	505727801	BOLT		2 21
12	505732801	NUT		2 21
13	505729501	SHC 10-24 X 3/4 SS(G1 BATTERY)		1 21
14	505630401	NUT		1 21
15	725236671	SCREW EHHM		1 21
16	505731801	WASHER		3 21
17	505857505	KIT		1 21
18	575446603	KIT		1 21
19	575446604	KIT		1 21
20	575477901	HARNESS		1 21
21	510271605	ASSEMBLY	Assembled	1

Go to Discount-Equipment.com to order your parts

B SOFF CUT X2500
MOTOR MOUNT BUSHING



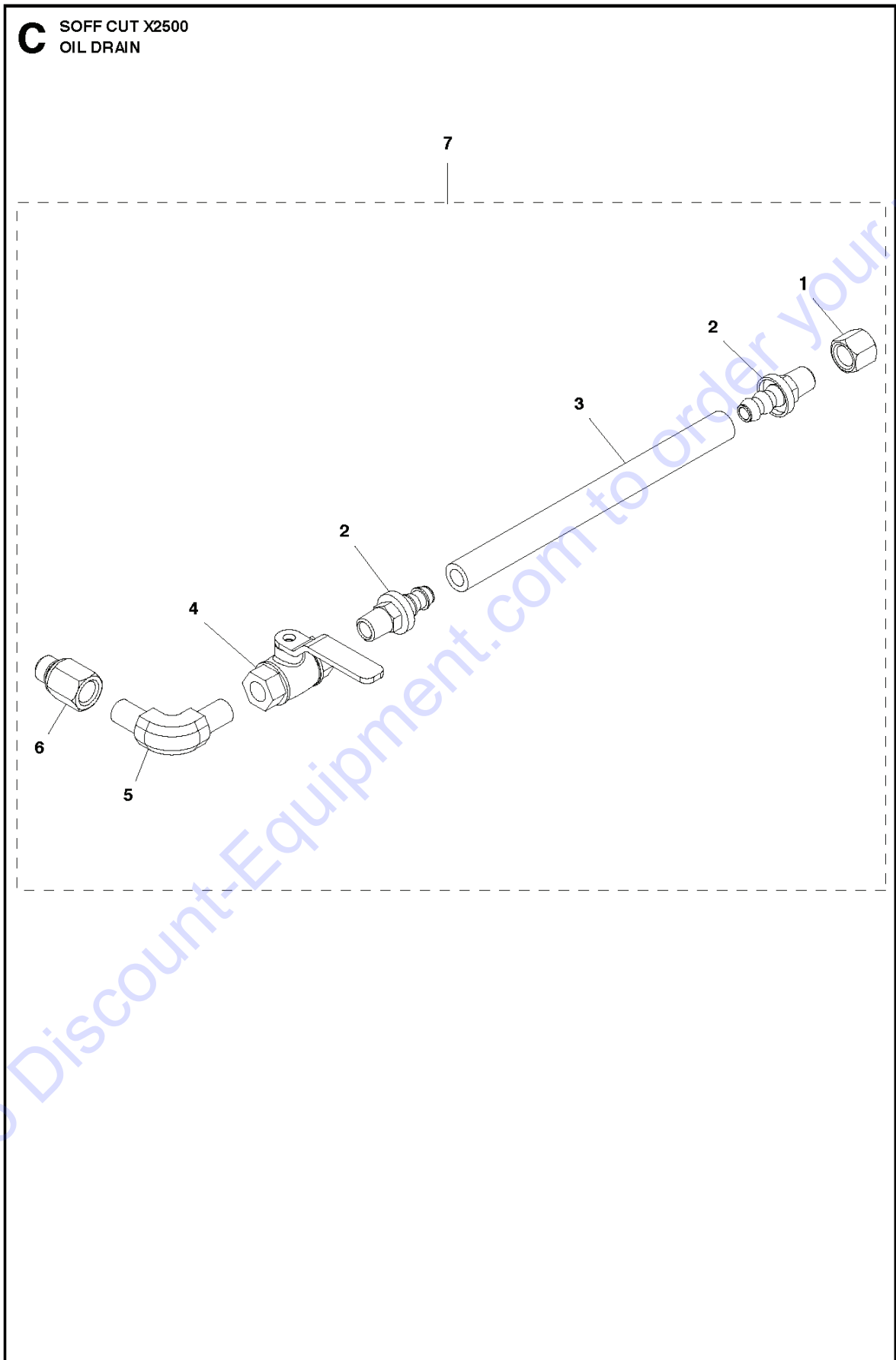
Go to Discount-Equipment.com to order your parts

EARLY ENTRY SAWS

PXM_REF	PXM_PARTNO	DESCRIPTION	PXM_REMARK	QTY.
1	505609202	PLATE		1 10
2	541205726	NUT		4 10
3	510302101	WASHER		4 10
4	510317601	BOLT		4 10
5	505609901	WASHER		3 10
6	505609801	SPACER		4 10
7	505610201	RING		4 10
8	505610301	BUSHING		4 10
9	505610101	WASHER		1 10
10	505857801	MOTOR		1

Go to Discount-Equipment.com to order your parts

C SOFF CUT X2500
OIL DRAIN



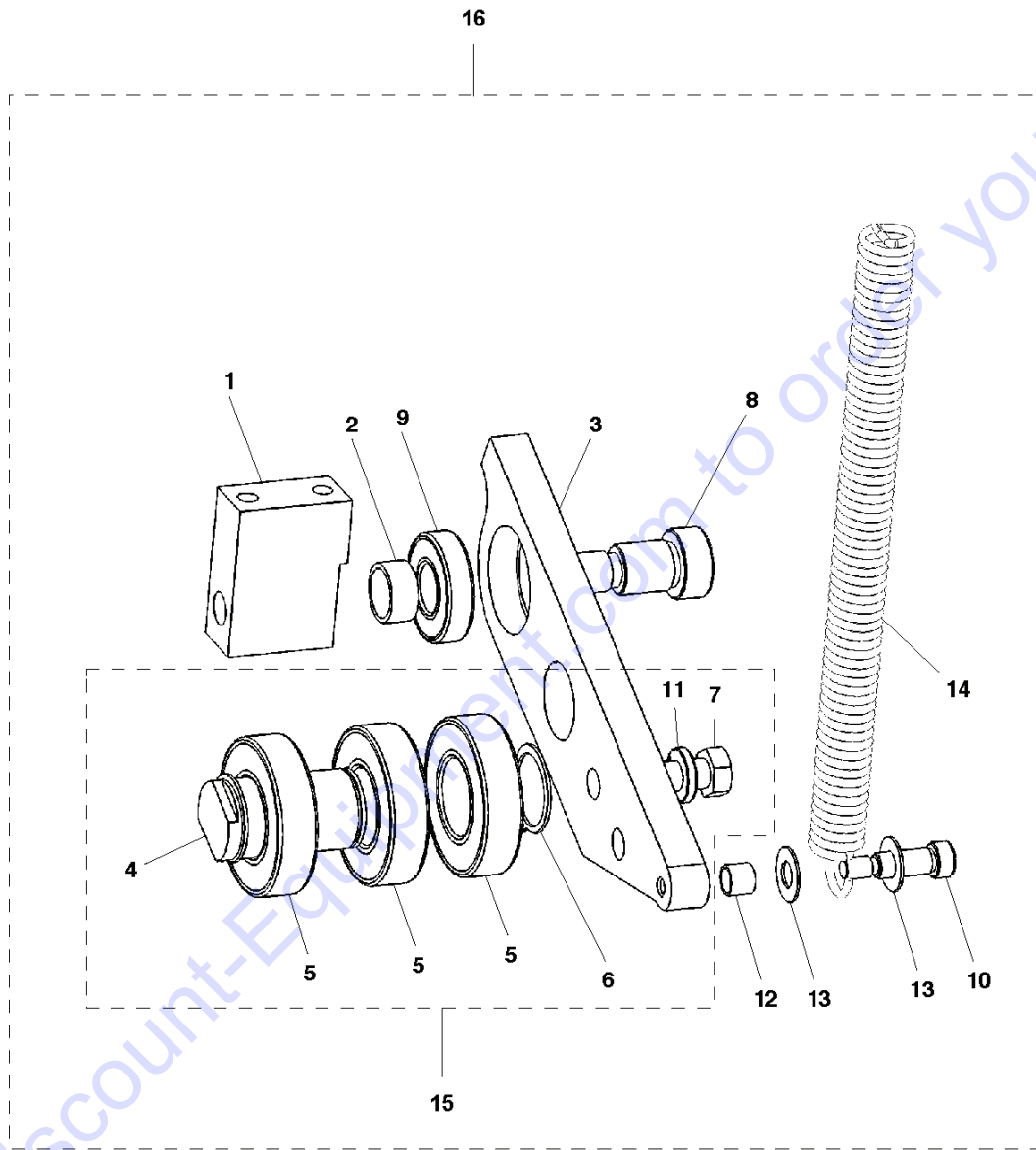
Go to Discount-Equipment.com to order your parts

EARLY ENTRY SAWS

PXM_REF	PXM_PARTNO	DESCRIPTION	PXM_REMARK	QTY.
1	505776601	CAP		1 7
2	505738601	FITTING		2 7
3	505738501	HOSE		1 7
4	505738901	VALVE		1 7
5	505738701	ADAPTER		1 7
6	505738801	ADAPTER		1 7
7	505857505	KIT		1

Go to Discount-Equipment.com to order your parts

D SOFF CUT X2500
BLADE IDLER PULLEY



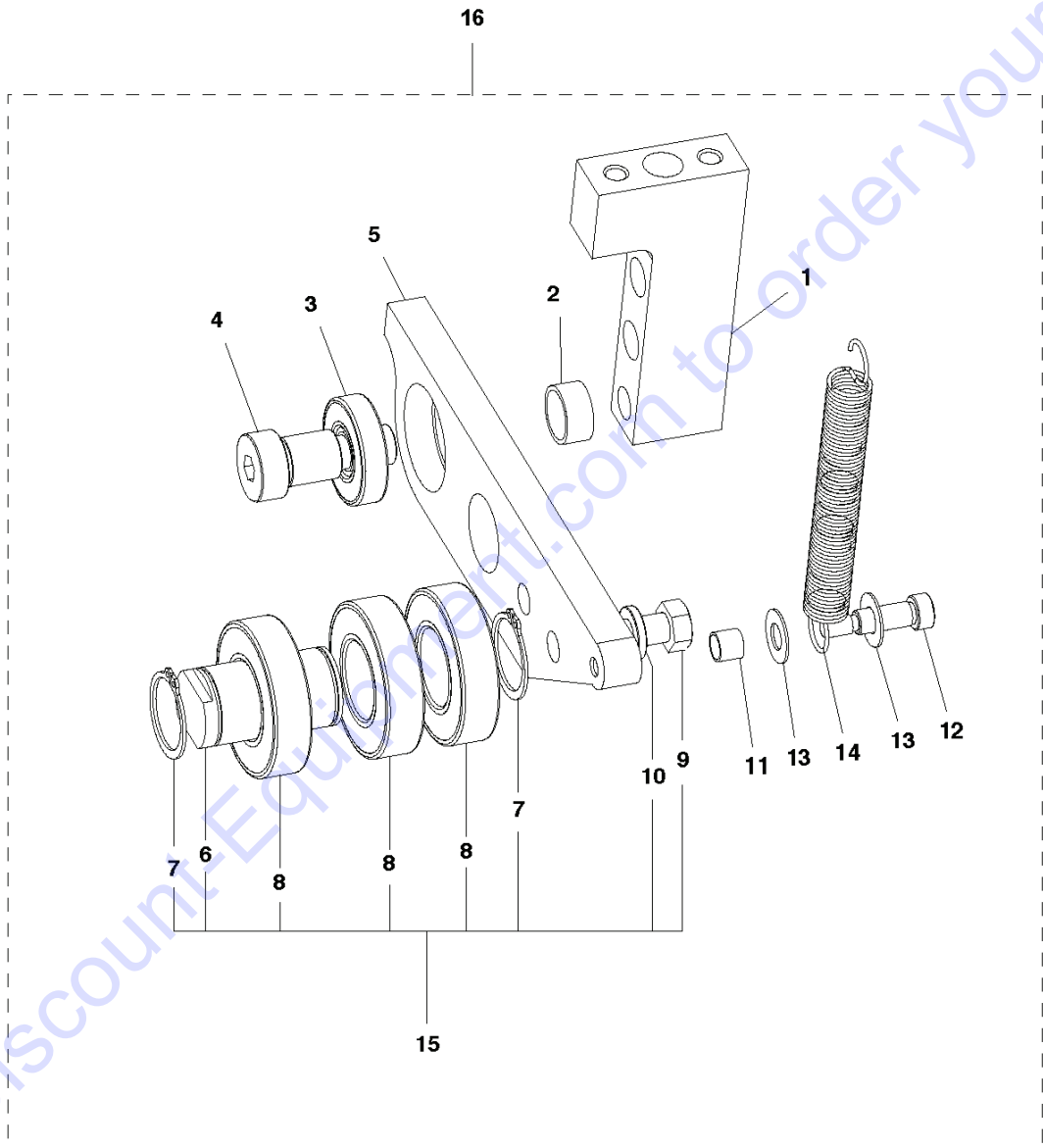
Go to Discount-Equipment.com to order your parts

EARLY ENTRY SAWS

PXM_REF	PXM_PARTNO	DESCRIPTION	PXM_REMARK	QTY.
1	505714801	PULLEY		1
2	505714602	SPACER		1
3	505706901	PULLEY		1
4	505706801	BLADE		1
5	505736301	WHEEL		3
6	542206205	SNAP RING		2
7	539976941	SCREW		1
8	505726201	BOLT		1
9	505736001	PULLEY		1
10	505726401	BOLT		1
11	505731001	WASHER		1
12	505717901	BUSHING		1
13	505725201	WASHER		2
14	505737301	SPRING		1
15	505483401	PULLEY		1
16	510271705	PULLEY ASSY		1

Go to Discount-Equipment.com to order your parts

E SOFF CUT X2500
PUMPIDLER PULLEY

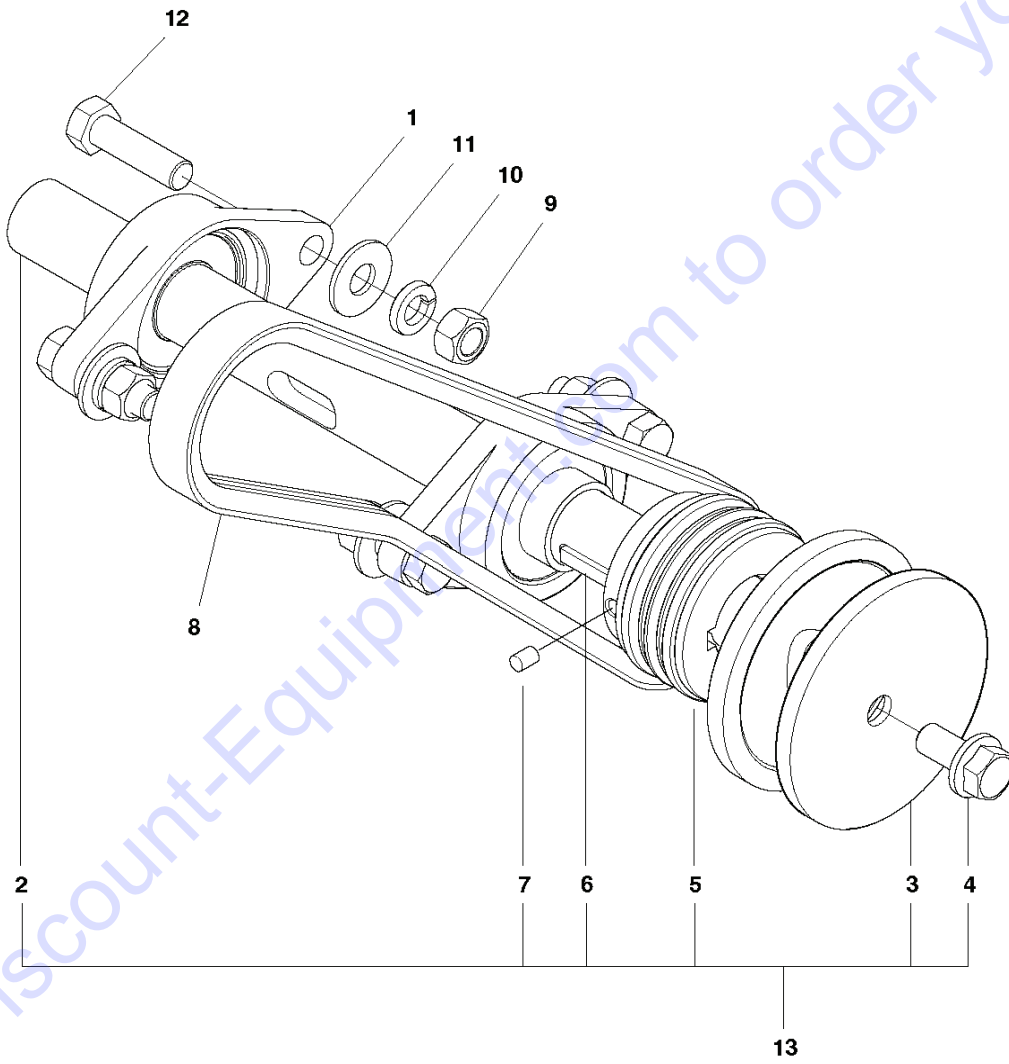


EARLY ENTRY SAWS

PXM_REF	PXM_PARTNO	DESCRIPTION	PXM_REMARK	QTY.
1	505714401	PULLEY		1 16
2	505714602	SPACER		1 16
3	505736001	PULLEY		1 16
4	505726201	BOLT		1 16
5	505706901	PULLEY		1 16
6	505706801	BLADE		1
7	542206205	SNAP RING		2
8	505736301	WHEEL		3
9	539976941	SCREW		1
10	505731001	WASHER		1
11	505717901	BUSHING		1 16
12	505726401	BOLT		1 16
13	505725201	WASHER		2 16
14	505737901	SPRING		1 16
15	505483401	PULLEY		1 16
16	505857401	PUMP		1

Go to Discount-Equipment.com to order your parts

F SOFF CUT X2500
BLADE SHAFT ASSEMBLY

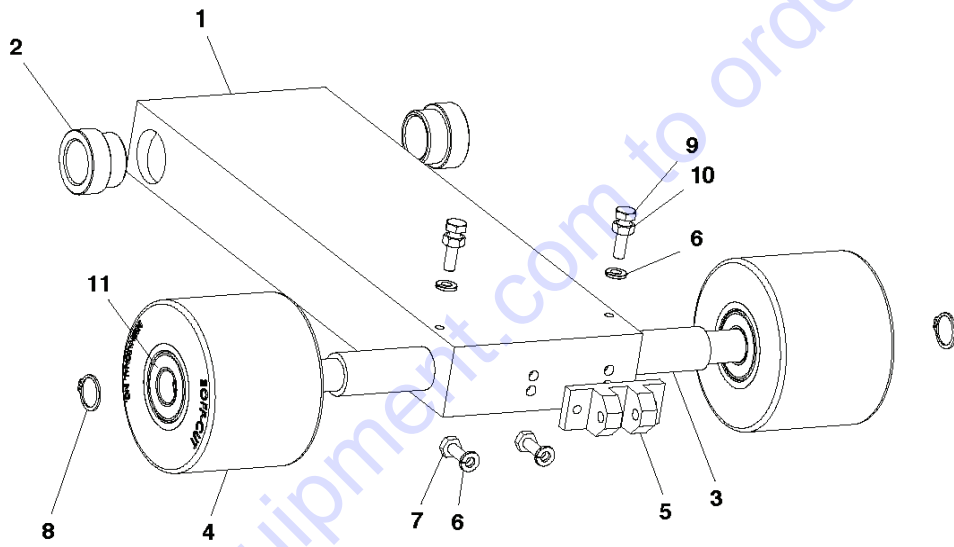


EARLY ENTRY SAWS

PXM_REF	PXM_PARTNO	DESCRIPTION	PXM_REMARK	QTY.
1	505736501	BLADE SHAFT		2
2	505573203	SHAFT		1
3	505491504	WASHER		1
4	505483701	BOLT		1
5	582046801	PULLEY		1
6	510318101	KEY		1
7	542020550	SCREW		4
8	505740401	BELT		1
9	541204836	NUT		4
10	505731101	WASHER		4
11	505731401	WASHER		4
12	505727001	BOLT		4
13	505880701	BLADE SHAFT		1

Go to Discount-Equipment.com to order your parts

G SOFF CUT X2500
FRONT WHEEL CARRIAGE

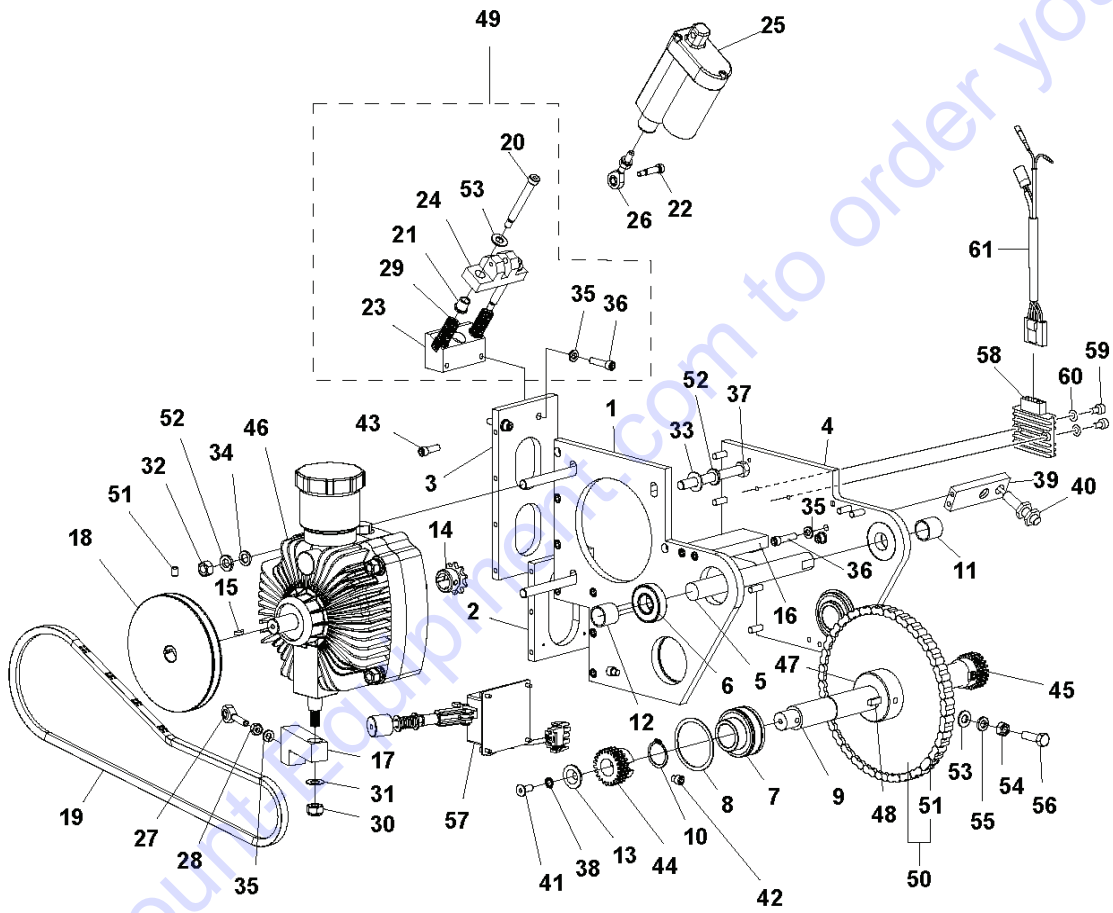


EARLY ENTRY SAWS

PXM_REF	PXM_PARTNO	DESCRIPTION	PXM_REMARK	QTY.
1	505607201	WHEEL		1
2	505655101	BUSHING		2
3	505713901	AXLE		1
4	505866201	WHEEL		2
5	505706201	ACTUATOR		1
6	505632801	WASHER		4
7	505627401	BOLT		2
8	505733501	SNAP RING		2
9	505727301	BOLT		2
10	505631901	NUT		2
11	505736101	BEARING		4

Go to Discount-Equipment.com to order your parts

H SOFF CUT 2500
PUMP ASSEMBLY



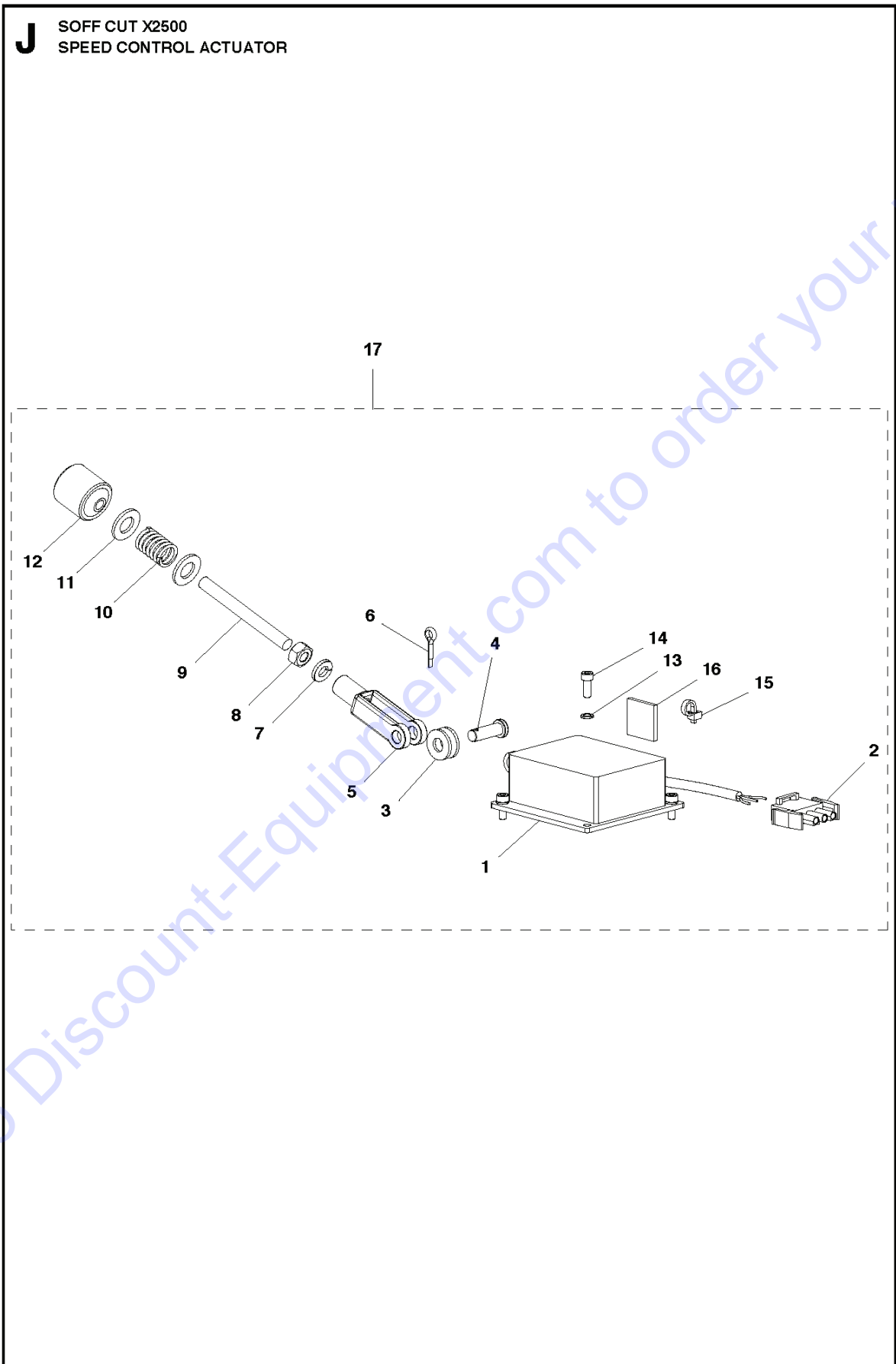
Go to DiscountParts.com to order your parts

EARLY ENTRY SAWS

PXM_REF	PXM_PARTNO	DESCRIPTION	PXM_REMARK	QTY.
1	505705901	PLATE		1
2	505706101	PLATE		1
3	505706001	ACTUATOR		1
4	505607601	PUMP SUPPORT PLATE LEFT		1
5	505605501	SHAFT		1
6	505736101	BEARING		2
7	505689401	SHAFT		2
8	505690201	SNAP RING		4
9	505605301	DRIVE SHAFT		1
10	542206205	SNAP RING		2
11	505605701	SPACER		1
12	505716001	BUSHING		1
13	505764801	WASHER		2
14	587659901	SPROCKET		1
15	539300749	KEY		1
16	505756701	ACTUATOR		1
17	505714901	ARM		1
18	505739801	PULLEY		1
19	505484004	BELT		1
20	505811901	GUIDE		2 49
21	505602201	BEARING		2 49
22	505725801	BOLT		1
23	505718701	BLOCK		1 49
24	580882801	BRACKET		1 49
25	505844601	ACTUATOR		1
26	505743401	ROD END		1
27	505743401	ROD END		1
28	505732901	NUT		2
29	505602901	SPRING		2 49
30	539976979	NUT		1
31	505634201	WASHER		1
32	539990130	NUT		4
33	539990517	WASHER		4
34	505724001	WASHER		4
35	505632801	WASHER		6 49
36	505627901	BOLT		4 49
37	505727701	HEX BOLT 3/8-16-3 1/2 CAD GR 5		4
38	505731801	WASHER		2
39	505607501	BRACKET		1
40	505754101	SWITCH		1
41	505730501	SCREW		2
42	505772701	SCREW		4
43	505627801	BOLT		17
44	505777101	GEAR WHEEL		1
45	505602401	GEAR		1
46	505738301	HYDROSTATIC PEDAL ASSY		1
47	505739401	SPROCKET		1
48	510318101	KEY		1
49	505882901	BLOCK		1
50	505867201	CHAIN		1
51	542020541	KEY		2
52	505731001	WASHER		8
53	539990188	WASHER		3 49
54	539990130	NUT		1
55	505633001	WASHER		1
56	539990209	SCREW		1
57	505845101	SPEED CONTROL SYSTEM		1
58	536461501	ELECTRIC MODULE	SN 001393041002	1
59	505627901	BOLT		2
60	505632801	WASHER		2
61	536048801	WIRE	SN 001393041002	1

Go to www.Count-Equipment.com to order your parts

J SOFF CUT X2500
SPEED CONTROL ACTUATOR

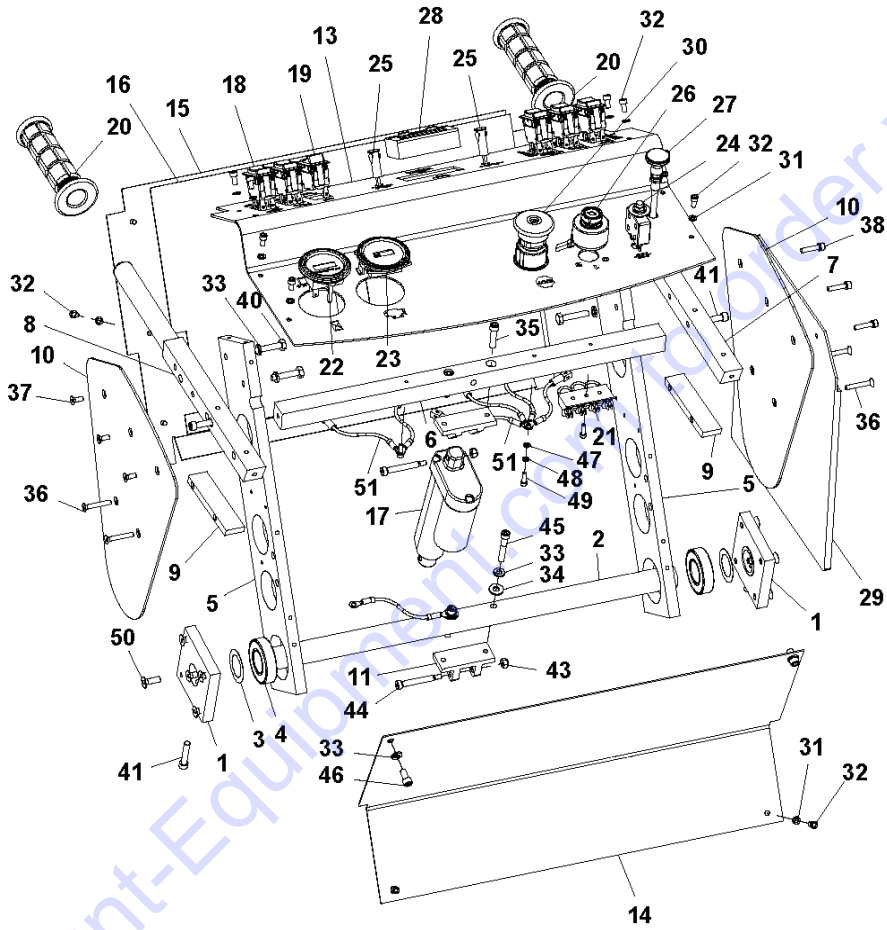


EARLY ENTRY SAWS

PXM_REF	PXM_PARTNO	DESCRIPTION	PXM_REMARK	QTY.
1	505749801	SPEED CONTROL SYSTEM		1 17
2	505751601	PLUG		1 17
3	505632001	WASHER		2 17
4	505743501	CLEVIS		1 17
5	505743301	YOKE		1 17
6	505739701	PIN		1 17
7	505632801	WASHER		1 17
8	505732901	NUT		1 17
9	505770801	STUD		1 17
10	505775101	SPRING		1 17
11	539990055	WASHER		2 17
12	505755201	ADJUSTER		1 17
13	505632401	WASHER		4 17
14	505627601	BOLT		4 17
15	510331701	TIE WRAP		1 17
16	510331602	TIE WRAP		1 17
17	505845101	SPEED CONTROL SYSTEM		1

Go to Discount-Equipment.com to order your parts

K SOFF CUT X2500
CONTROL PANEL ASSEMBLY



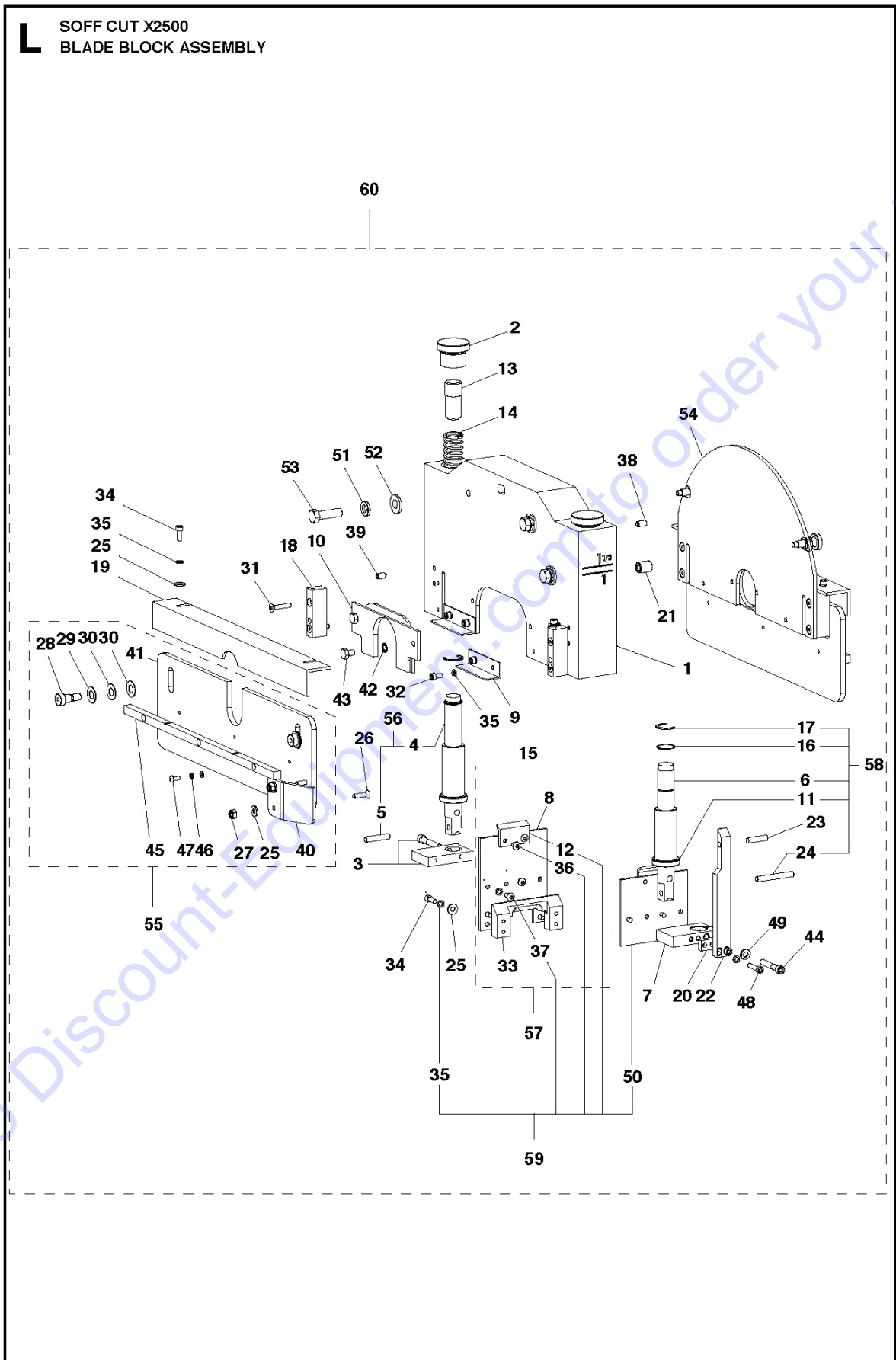
Go to Discount-Equipment.com to order your parts

EARLY ENTRY SAWS

PXM_REF	PXM_PARTNO	DESCRIPTION	PXM_REMARK	QTY.
1	505712101	PLATE		2
2	505712001	SHAFT		1
3	505736901	SHIM		2
4	505736301	WHEEL		2
5	505711801	PLATE		2
6	505708401	CROSSBAR		1
7	505708801	HANDLEBAR		1
8	505708901	HANDLEBAR		1
9	505607101	SPACER BAR HANDLE		2
10	505711901	PLATE		2
11	505706601	BRACKET		2
13	505608901	CONTROL PANEL SYSTEM		1
14	505606401	PAN		1
15	505707101	PANEL		1
16	505720201	INSULATOR		1
17	505844901	HANDLE		1
18	505750701	SWITCH		5
19	589669001	TOGGLE SWITCH		1
20	505601101	HANDLE GRIP		2
21	505752701	BLOCK		1
22	505704301	METER		1
23	516027701	KIT		1
24	505605101	CIRCUIT BREAKER		1
25	505846001	LIGHT		2
26	576389003	WIRE ASSY		1
27	505695001	CHOKE		1
28	505605001	HOUR METER		1
29	505721501	JOINT		1
30	505704401	STOP SWITCH		1
31	505633101	WASHER		19
32	505627701	BOLT		16
33	505632801	WASHER		8
34	505632001	WASHER		2
35	505627901	BOLT		2
36	505729801	SCREW		4
37	505729901	SCREW		3
38	505772801	BOLT		3
40	505727401	BOLT		4
41	505628001	BOLT		4
43	505630401	NUT		2
44	505726001	BOLT		2
45	505728801	BOLT		2
46	505722301	BOLT		2
47	505731701	LK WASH #8 EXT TOOTH		2
48	505632701	WASHER		2
49	505628201	BOLT		3
50	505628601	SCREW		10
51	575446602	KIT		6

Go to Discount-Equipment.com to order your parts

L SOFF CUT X2500
BLADE BLOCK ASSEMBLY

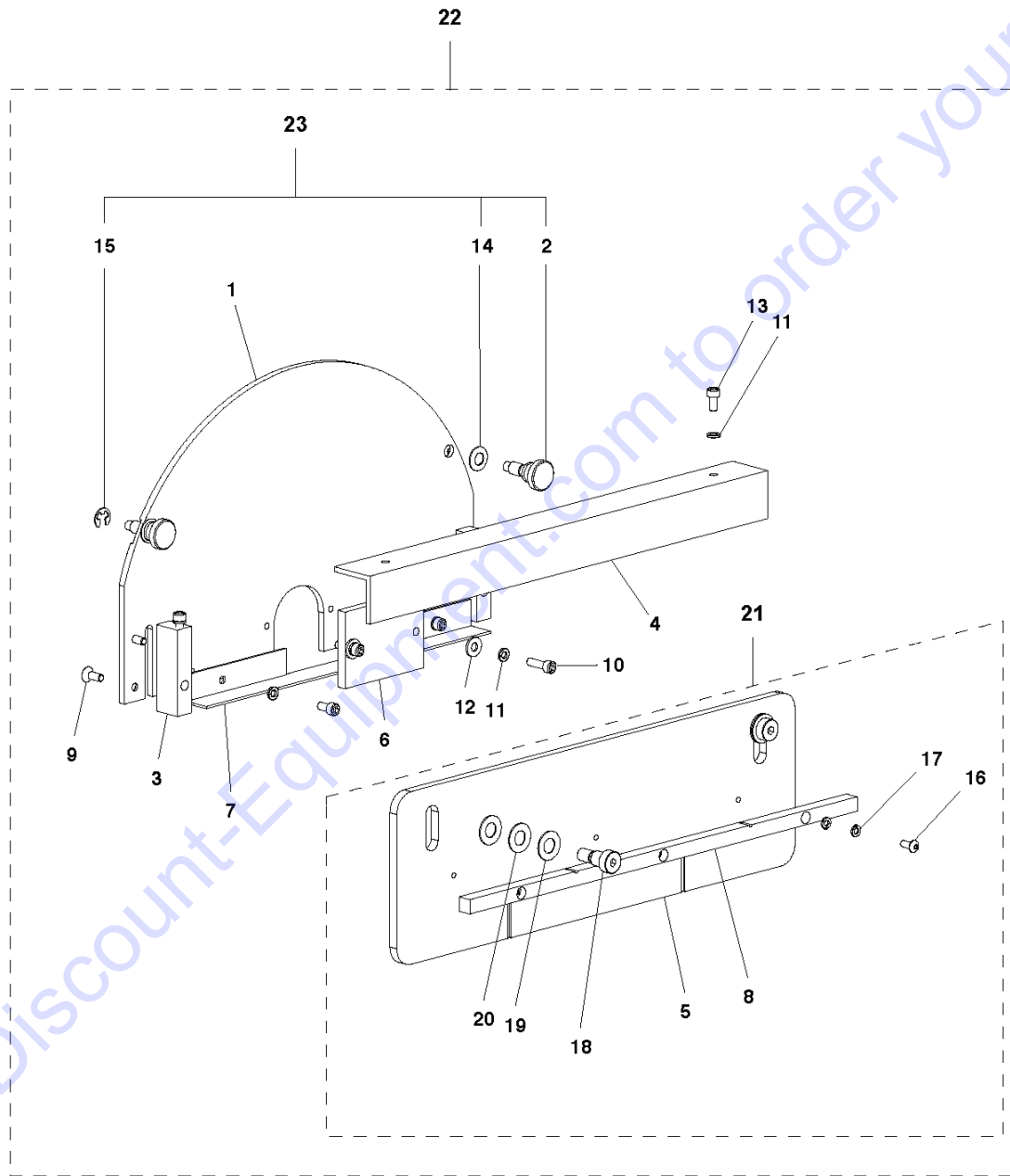


EARLY ENTRY SAWS

PXM_REF	PXM_PARTNO	DESCRIPTION	PXM_REMARK	QTY.
1	505709001	BLADE BLOCK		1
2	505709201	KNOB		2
3	505874301	ROD		1
4	505709401	ROD		1
5	505774001	PIN		1
6	505709301	ROD		1
7	505879301	ROD		1
8	505709801	PLATE		1
9	505711701	BRACKET		2
10	505718201	INSERT		1
11	505738001	SEAL		2
12	505714001	PLATE		2
13	505709501	ROD		2
14	505737201	SPRING		2
15	505667601	BUSHING		2
16	505748401	RETAINER RING		2
17	505733601	SNAP RING		2
18	505710201	BLOCK		2
19	505710601	ANGLE BRACKET		1
20	505760701	SPACER		1
21	505748301	INSERT		2
22	505601401	ARM		1
23	505787901	MAGNET		1
24	587918201	PIN		1
25	505635301	WASHER		8
26	505772901	SCREW		2
27	505630401	NUT		2
28	505726101	BOLT		2
29	505634201	WASHER		2
30	505634501	WASHER		4
31	505730001	SCREW		4
32	505627701	BOLT		4
33	505710301	BLOCK		1
34	505729601	BOLT		6
35	505633101	WASHER		16
36	505629501	SCREW		4
37	505629101	SCREW		4
38	505630001	SCREW		2
39	505734101	SCREW		4
40	505761501	SHIELD		1
41	505710001	INNER PLATE		1
42	505731801	WASHER		2
43	505627301	BOLT		2
44	505728801	BOLT		2
45	505718801	STIFFENER		1
46	505632701	WASHER		6
47	505629301	SCREW		3
48	505772801	BOLT		2
49	505632801	WASHER		1
50	505673101	PLATE		1
51	505731001	WASHER		3
52	510301001	WASHER		3
53	505727601	BOLT		3
54	505857601	BLADE		1
55	505882701	INNER PLATE		1
56	505879101	SHAFT		1
57	505879501	PLATE		1
58	505879001	SHAFT		1
59	505879401	ADAPTER		1
60	510272105	ASSEMBLY		1

Go to www.Count-Equipment.com to order your parts

M SOFF CUT X2500
BLADE BLOCK COVER

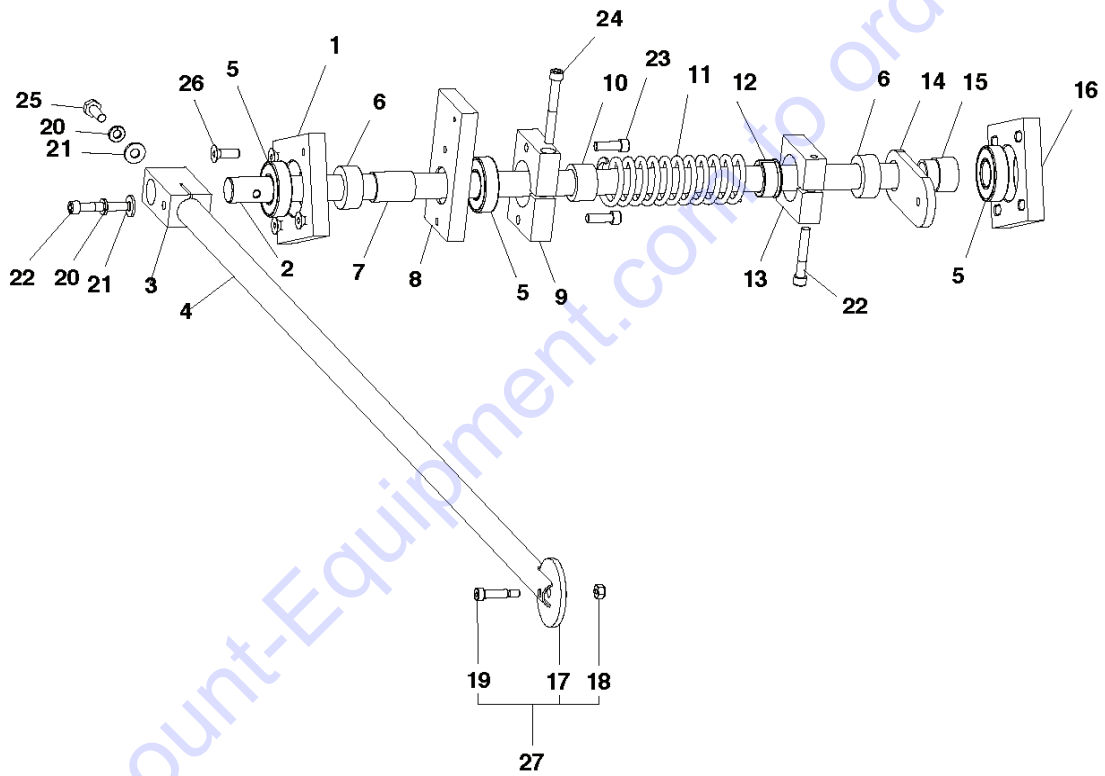


EARLY ENTRY SAWS

PXM_REF	PXM_PARTNO	DESCRIPTION	PXM_REMARK	QTY.
1	505709101	COVER		1 22
2	505536301	KNOB		2 22
3	505710101	BLOCK		2 22
4	505710501	ANGLE BRACKET		1 22
5	505709901	PLATE		1
6	505721101	PLATE		1
7	505711601	BRACKET		1 22
8	505718801	STIFFENER		1
9	505729901	SCREW		4 22
10	505729701	BOLT		2 22
11	505633101	WASHER		6 22
12	505635301	WASHER		2 22
13	505627701	BOLT		4 22
14	505536401	WASHER		2 22
15	505536501	E-CLIP		2 22
16	505629301	SCREW		3
17	505632701	WASHER		6
18	505726101	BOLT		2
19	505634201	WASHER		2
20	505634501	WASHER		4
21	505879601	PLATE		1 22
22	505857601	BLADE		1
23	505482901	KNOB		1 22

Go to Discount-Equipment.com to order your parts

N SOFF CUT X2500
GUIDE ARM ASSEMBLY

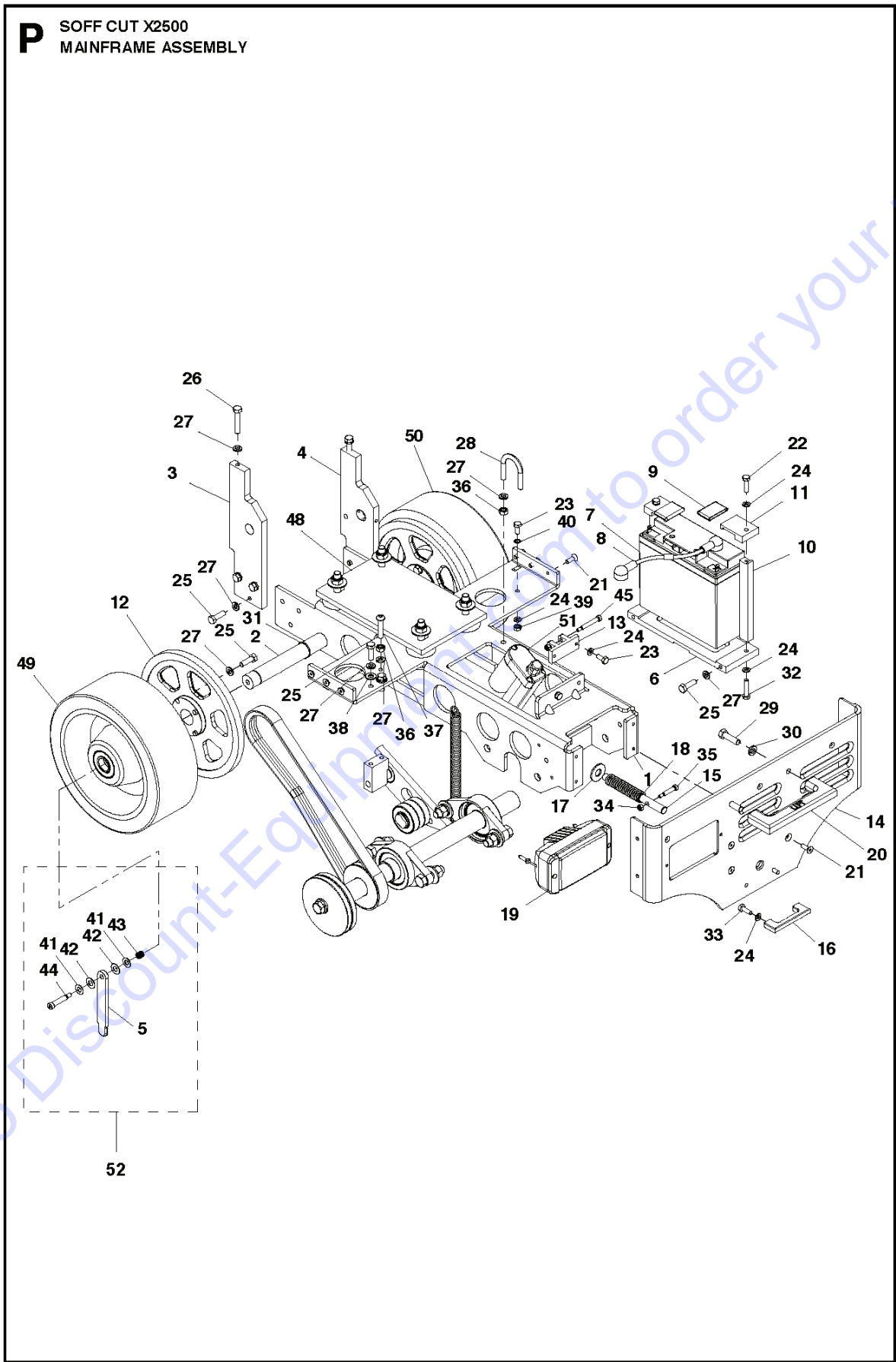


EARLY ENTRY SAWS

PXM_REF	PXM_PARTNO	DESCRIPTION	PXM_REMARK	QTY.
1	505713701	PLATE		1
2	505713601	SHAFT		1
3	505707001	BLOCK		1
4	505713501	GUIDE		1
5	505736101	BEARING		3
6	505718401	SHAFT		2
7	505716201	BUSHING		1
8	505717101	SPRING		1
9	505717201	BLOCK		1
10	505717501	BUSHING		1
11	505737501	SPRING		1
12	505717401	BUSHING		1
13	505717301	BLOCK		1
14	505719101	PLATE		1
15	505719301	BUSHING		1
16	505713801	PLATE		1
17	505614201	DISC		1 27
18	505630401	NUT		1 27
19	505725801	BOLT		1 27
20	505632801	WASHER		2
21	505632001	WASHER		2
22	505728801	BOLT		2
23	505627801	BOLT		2
24	505728901	BOLT		1
25	505627501	BOLT		1
26	505628601	SCREW		4
27	505877701	WHEEL		1

Go to Discount-Equipment.com to order your parts

P SOFF CUT X2500
MAINFRAME ASSEMBLY

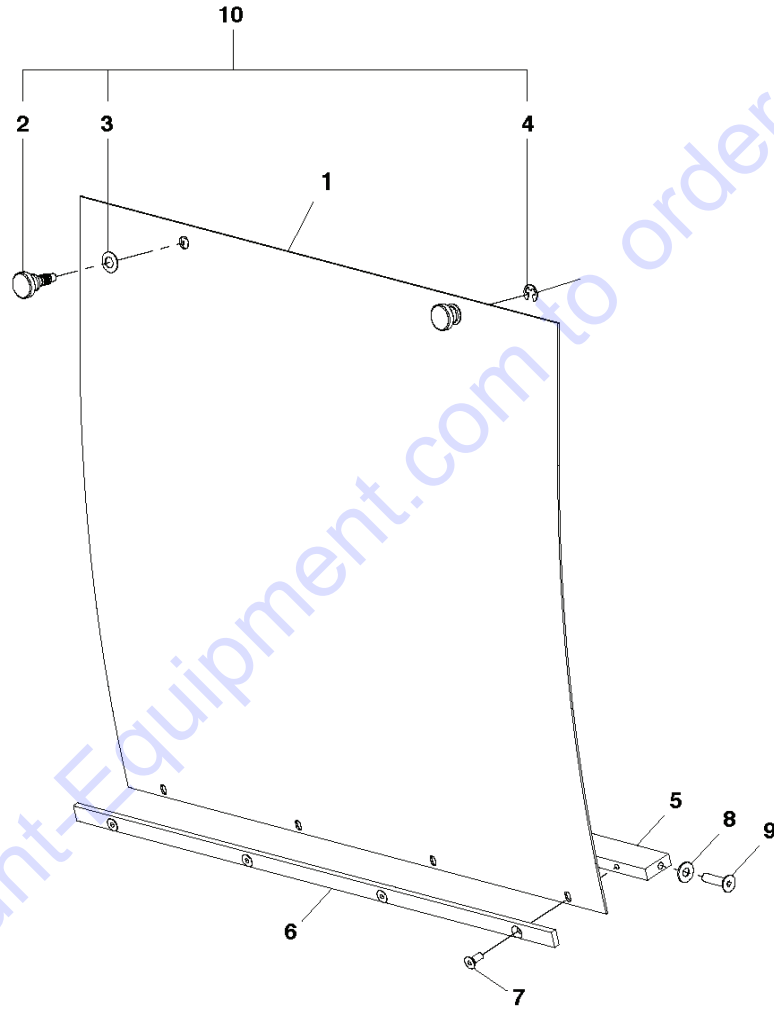


EARLY ENTRY SAWS

PXM_REF	PXM_PARTNO	DESCRIPTION	PXM_REMARK	QTY.
1	505609401	FRAME		1
2	505605401	AXLE		1
3	505705301	ARM		1
4	505607401	ARM		1
5	505718501	REAR AXLE		1
6	505714001	PLATE		1
7	505749901	BATTERY		1
8	575477801	WIRE ASSY		1
9	505747001	COVER		2
10	505718001	ARM		2
11	505718101	BLOCK		2
12	505865001	REAR AXLE		2
13	505706601	BRACKET		1
14	505605201	PLATE		1
15	505714101	SHAFT		1
16	505714201	SHAFT		1
17	505731401	WASHER		1
18	505737401	SPRING		1
19	505485001	HEADLAMP		1
20	505716901	HANDLE		1
21	505628601	SCREW		10
22	505727301	BOLT		2
23	505627401	BOLT		3
24	505632801	WASHER		9
25	539990209	SCREW		18
26	505728501	BOLT		2
27	505633001	WASHER		23
28	575421301	CLAMP		1
29	539976941	SCREW		2
30	505731001	WASHER		2
31	542206205	SNAP RING		3
32	505727401	BOLT		2
33	505627501	BOLT		2
34	505630401	NUT		2
35	505725901	BOLT		1
36	505732401	NUT		3
37	505722801	BHS 5/16-18-1 1/2 SS.		1
38	539990188	WASHER		2
39	505631901	NUT		1
40	505731801	WASHER		1
41	505725201	WASHER		2
42	505634501	WASHER		2
43	505636001	SPRING		1
44	505726601	BOLT		1
45	505726001	BOLT		1
48	505857801	MOTOR		1
49	505865301	WHEEL		1
50	505865401	WHEEL		1
51	505844701	BLADE		1
52	505857901	ARM		1

Go to Discount-Equipment.com to order your parts

R SOFF CUT X2500
REAR ACCESS ASSEMBLY

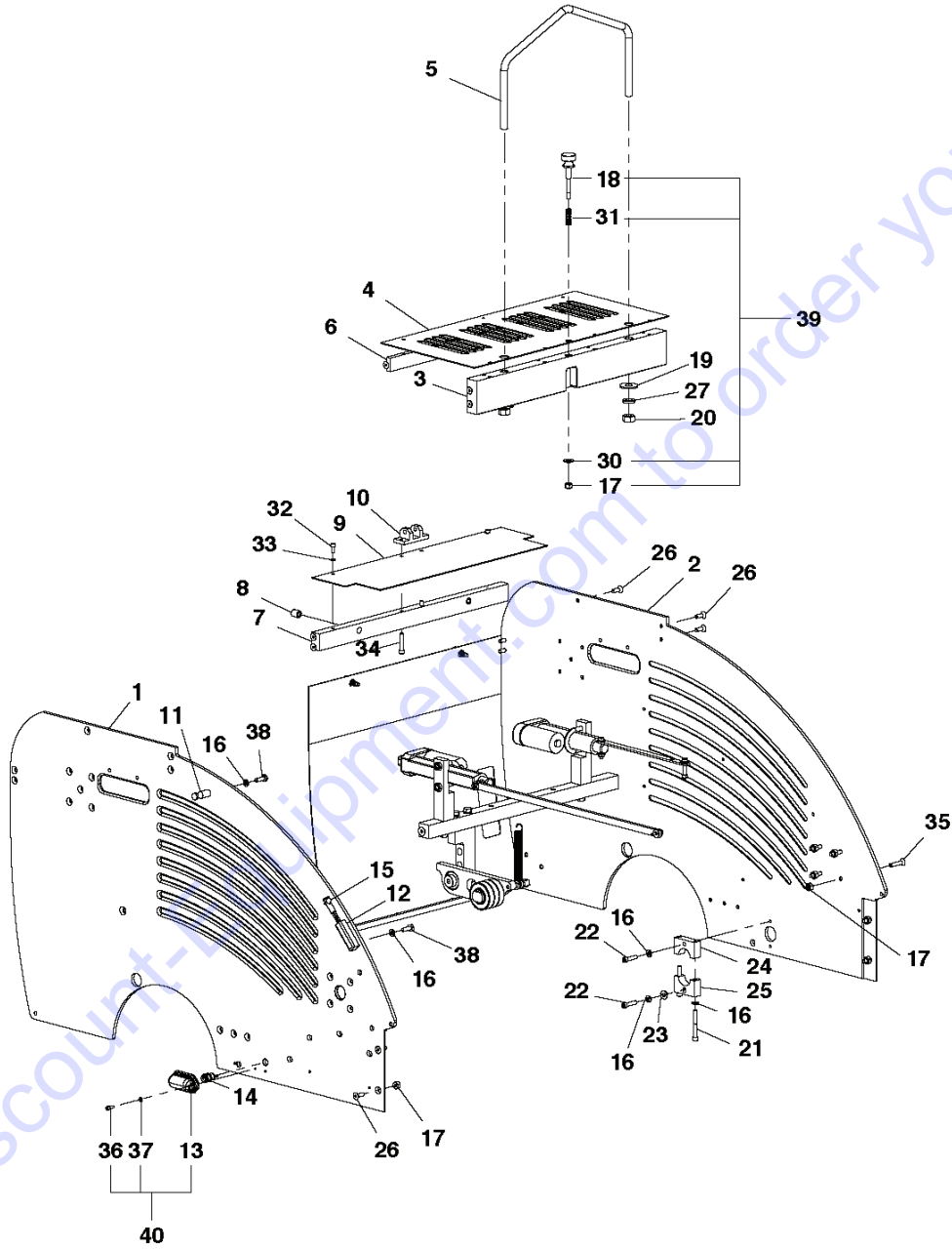


EARLY ENTRY SAWS

PXM_REF	PXM_PARTNO	DESCRIPTION	PXM_REMARK	QTY.
1	505609601	PANEL		1
2	505536301	KNOB		2
3	505536401	WASHER		2
4	505536501	E-CLIP		2
5	505717001	CROSSBAR		1
6	505719401	BRACE		1
7	505729901	SCREW		4
8	505634401	WASHER		2
9	505628701	SCREW		2
10	505482901	KNOB		1

Go to Discount-Equipment.com to order your parts

S SOFF CUT X2500
PANEL ASSEMBLY



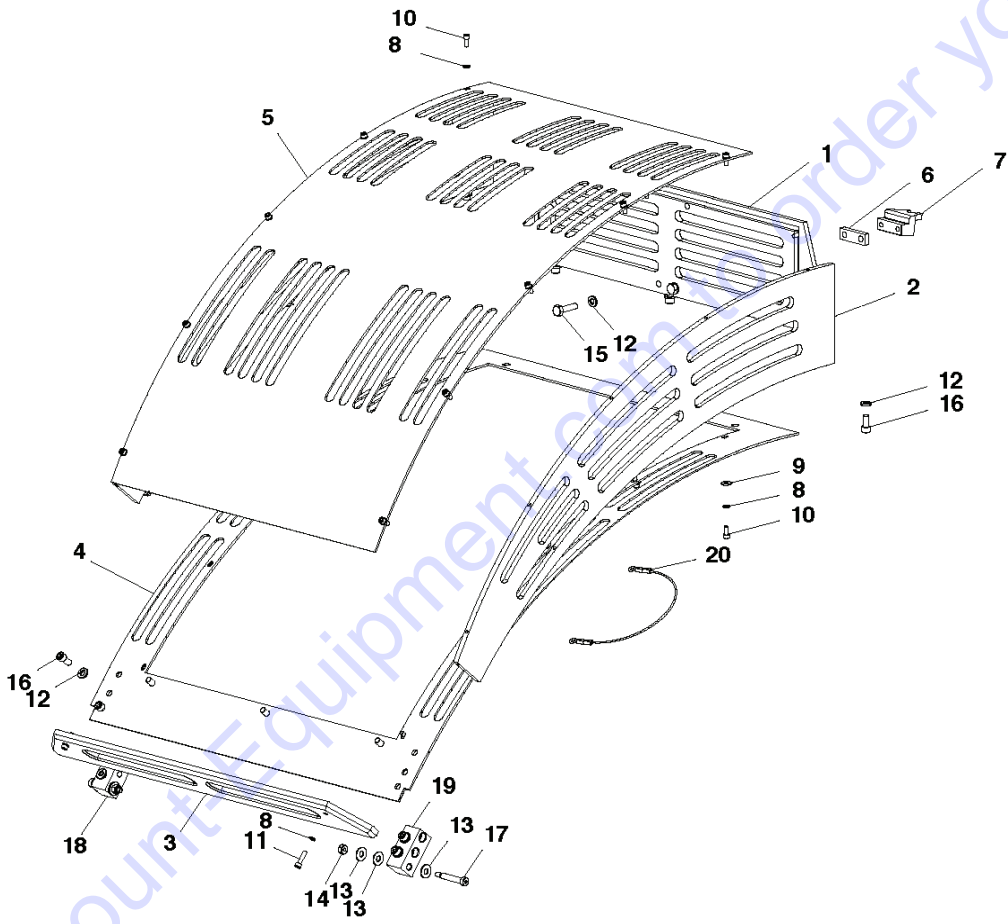
Go to Discount-Equipment.com to order your parts

EARLY ENTRY SAWS

PXM_REF	PXM_PARTNO	DESCRIPTION	PXM_REMARK	QTY.
1	505606501	SIDE PLATE (RIGHT)		1
2	505606601	SIDE PLATE (LEFT)		1
3	505606901	CROSSBAR		1
4	505606801	PAN		1
5	505607001	BAR		1
6	505708601	CROSSBAR		1
7	505708501	CROSS BAR (REAR ACCESS PANEL)		1
8	505748301	INSERT		3
9	505707301	PANEL COVER (HANDLE ACT. CROS		1
10	505706501	ACTUATOR		1
11	505718601	ROD		1
12	505717701	HOUSING		1
13	505752501	LIGHT		1
14	505787801	SENSOR		1
15	505846001	LIGHT		1
16	505632801	WASHER		6
17	505630501	NYLOC NUT 1/4-20 CAD PL.		9
18	505767201	HOOD		1
19	505731401	WASHER		2
20	505733301	NUT		2
21	505728901	BOLT		2
22	505627901	BOLT		2
23	505632001	WASHER		1
24	505716701	BLOCK		1
25	505716801	BLOCK		1
26	505628601	SCREW		14
27	505731101	WASHER		2
30	539990055	WASHER		1
31	505737101	SPRING		9
32	505729601	BOLT		2
33	505633101	WASHER		2
34	505628001	BOLT		2
35	505773401	SOCKET		4
36	505628201	BOLT		2
37	505632701	WASHER		2
38	505627501	BOLT		2
39	505886601	KNOB		1
40	505486901	LAMP		1

Go to Discount-Equipment.com to order your parts

T SOFF CUT X2500
HOOD ASSEMBLY

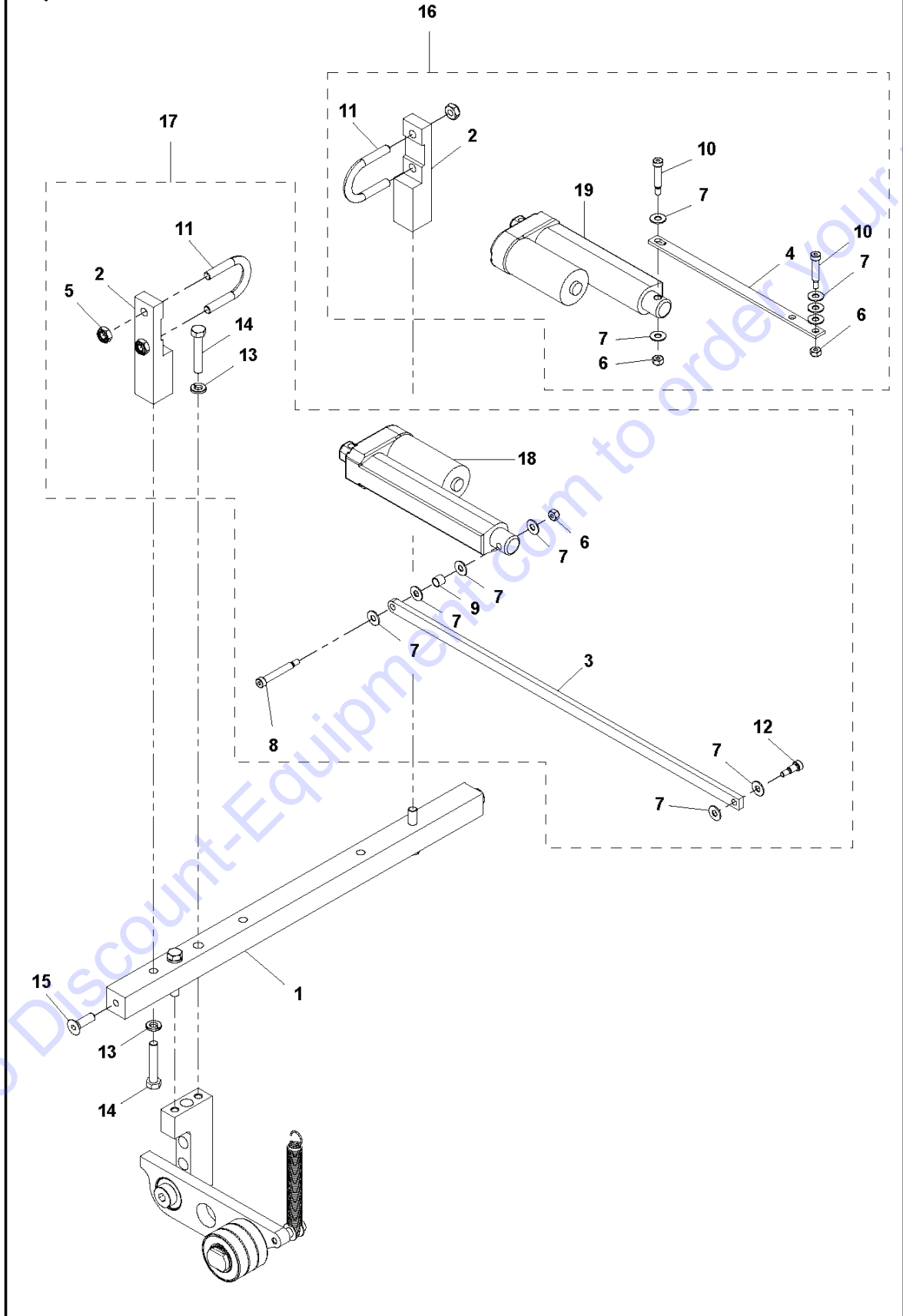


EARLY ENTRY SAWS

PXM_REF	PXM_PARTNO	DESCRIPTION	PXM_REMARK	QTY.
1	505712501	REAR PLATE HOOD		1
2	505608501	SIDE HOOD PANEL		2
3	505712401	PLATE		1
4	505608401	HOOD		1
5	505608301	HOOD		1
6	505643401	SPACER		1
7	505719501	BLOCK		1
8	505632701	WASHER		24
9	505822601	WASHER		10
10	505628101	BOLT		20
11	505729101	BOLT		4
12	505632801	WASHER		12
13	505634401	WASHER		6
14	505630401	NUT		2
15	505727301	BOLT		2
16	505722301	BOLT		10
17	505811701	BOLT		2
18	505713101	BLOCK		1
19	505713001	BLOCK		1
20	505865201	WIRE		1

Go to Discount-Equipment.com to order your parts

Q SOFF CUT X2500
PUMP CROSS BAR ASSEMBLY



EARLY ENTRY SAWS

PXM_REF	PXM_PARTNO	DESCRIPTION	PXM_REMARK	QTY.
1	505605801	CROSSBAR		1
2	505611001	BRACKET		2 17
3	505611101	ARM		1 17
4	505715801	ARM		1 16
5	505631701	NUT		4 17
6	505630401	NUT		3
7	505634401	WASHER		11 16
8	505726001	BOLT		1 17
9	505717901	BUSHING		1 17
10	505725901	BOLT		2 16
11	575421301	CLAMP		2
12	505686401	BOLT		1 17
13	505633001	WASHER		4 17
14	505728501	BOLT		4 17
15	505730101	SCREW		2
16	505844801	THROTTLE		1
17	505845001	ACTUATOR		1
18	579215101	ACTUATOR		1
19	505749601	ACTUATOR		1

Go to Discount-Equipment.com to order your parts

PARTS FINDER

**Search Website
by Part Number**



**Search Manual
Library For Parts
Manual & Lookup Part
Numbers – Purchase
or Request Quote**

Search Manuals

Enter your information to search for a manual or to purchase a manual or parts.

* Brand:

* Model:

* Serial:

* Part Number:

SEARCH

**Can't Find Part or
Manual? Request Help
by Manufacturer,
Model & Description**

Parts Order Form

Please fill in the following information:

Manufacturer:

Model:

Description:

Quantity:

Part Number:

Part Name:

Part Description:

Part Category:

Part Location:

Part Status:

Part Condition:

Part Material:

Part Color:

Part Weight:

Part Dimensions:

Part Price:

Part Notes:

Submit

Discount-Equipment.com is your online resource for quality parts & equipment.

Florida: **561-964-4949** Outside Florida TOLL FREE: **877-690-3101**

Need parts?

Click on this link: <http://www.discount-equipment.com/category/5443-parts/> and choose one of the options to help get the right parts and equipment you are looking for. Please have the machine model and serial number available in order to help us get you the correct parts. If you don't find the part on the website or on one of the online manuals, please fill out the request form and one of our experienced staff members will get back to you with a quote for the right part that your machine needs.

We sell worldwide for the brands: Genie, Terex, JLG, MultiQuip, Mikasa, Essick, Whiteman, Mayco, Toro Stone, Diamond Products, Generac Magnum, Airman, Haulotte, Barreto, Power Blanket, Nifty Lift, Atlas Copco, Chicago Pneumatic, Allmand, Miller Curber, Skyjack, Lull, Skytrak, Tsurumi, Husquvarna Target, Stow, Wacker, Sakai, Mi-T-M, Sullair, Basic, Dynapac, MBW, Weber, Bartell, Bennar Newman, Haulotte, Ditch Runner, Menegotti, Morrison, Contec, Buddy, Crown, Edco, Wyco, Bomag, Laymor, EZ Trench, Bil-Jax, F.S. Curtis, Gehl Pavers, Heli, Honda, ICS/PowerGrit, IHI, Partner, Imer, Clipper, MMD, Koshin, Rice, CH&E, General Equipment, Amida, Coleman, NAC, Gradall, Square Shooter, Kent, Stanley, Tamco, Toku, Hatz, Kohler, Robin, Wisconsin, Northrock, Oztec, Toker TK, Rol-Air, APT, Wylie, Ingersoll Rand / Doosan, Innovatech, Con X, Ammann, Mecalac, Makinex, Smith Surface Prep, Small Line, Wanco, Yanmar