



MATERIAL LIFTS

CUSTOMERS FIRST. ALWAYS.

PARTNERING FOR SUCCESS

Our dedication to lifting you higher extends well beyond the physical reach of our products. We thrive on building satisfying customer relationships founded on the idea of partnership. Because you, our customer, are at the center of everything we do.

Since 1966, we've been developing products to solve your worksite challenges — and that process never ends. Our team of product managers and engineers uses your input to design new products, featuring the latest technology to meet your changing needs. Then we manufacture those products to stringent standards that help increase quality, lower costs and give you exceptional value for years to come.

PROVIDING SUPERIOR VALUE

Our commitment doesn't end with the sale. Our dedicated service teams are available 24 hours a day, 365 days a year to provide support when you need it most. Our extensive parts network ships most parts within 24 hours, too. Simply put, we're always working to help maximize your "up time" so you can be more successful.

Genie is driven by one goal: doing the right thing, at the right time for our customers. That's not just what we do; it's who we are. So tell us what you need. We're listening.



Genie
A TEREX BRAND

SETTING THE STANDARD

Genie manufactures some of the most advanced, highest-valued lift equipment in the industry. Genie distinctive blue lifts set the standard for performance and durability — not to mention support from people who understand your business.



PORTABLE PRODUCTIVITY

Since the introduction of the original Genie® Hoist in 1966, Genie has been developing sound lifting products for the workplace. Genie® lightweight, low-cost material lifts are designed to enhance your productivity with highly portable solutions for a wide variety of applications.

All Genie® material lifts are easy for one person to set up, operate and transport in a standard pickup or service truck. Plus, a wide variety of options and accessories make them extremely adaptable to fit your specific needs. With sturdy construction and reliable performance, Genie® material lifts are an excellent value for a virtually unlimited number of indoor and outdoor uses.

The Genie brand was born in 1966 with the introduction of the Genie® Hoist — the product that launched thousands of lifts.

THE ORIGINAL PORTABLE HOIST

The Genie brand was born in 1966 with the original Genie® Hoist — a unique portable pneumatic lift that was so successful, it launched the development of a full range of material hoists and aerial work platforms. Today's Genie® Super Hoist™ continues the legacy of innovation with an incredibly compact, easy-to-use design. This portable telescoping pneumatic hoist uses CO₂ or compressed air to lift up to 300 lbs (136 kg) to heights of 12 ft 5.6 in (3.8 m) or up to 250 lbs (113 kg) up to 18 ft 4.5 in (5.6 m).

FLEXIBLE POWER

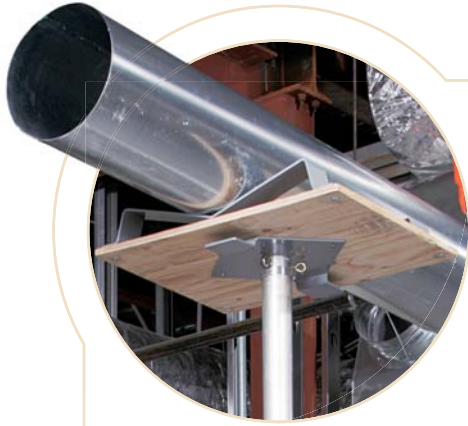
The hoist is powered by either CO₂ or compressed air and provides approximately 80 to 90 lifts from a single tank of CO₂. The “one size fits all” bottle mounting bracket accepts any common CO₂ bottle size. A 20 lb (9 kg) CO₂ tank is also available as an accessory. The hose stretches 16 ft (4.87 m) for added mobility and stores around brackets underneath the platform when not in use.



EASY OPERATION

Up and down functions, including the dump valve, can all be activated from the patented pistol-grip control handle, which clips to a storage button on the side of the cylinder when not in use.

Lightweight, compact and portable, this telescoping pneumatic hoist allows an individual to lift heavy loads into place for installation.



PLATFORM CRADLE PACKAGE

Available as an accessory to handle odd-shaped items.

VERSATILE APPLICATIONS

Lift, position and install a wide variety of materials, including metal and fiberboard air ducts, overhead sprinklers/plumbing, drywall and ceiling panels, and electrical fixtures.

QUICK, EASY SETUP

Sets up in seconds — no special tools required. The one-piece platform attaches to the cylinder with a twist of the wrist. Legs fold out from the base, and the lock mechanism keeps each leg out for use (or up for storage). Casters also lock in place with the touch of a toe.

LIGHTWEIGHT, COMPACT DESIGN

The compact size and weight allow one person to lift and move heavy loads, yet quickly move from job to job. The hoist is completely portable and easy to store and transport. It's so lightweight and compact, it fits in the trunk of most cars.



GENIE® SUPER HOIST™ MODELS AVAILABLE

GH™ 3.8

GH™ 5.6

ROUTINE LIFTING MADE EASY

With the Genie® Load Lifter™, one person can easily lift, move and position heavy loads — helping to increase productivity. Compact and portable, it lifts up to 200 lbs (91 kg) to a height of 5 ft 7 in (1.7 m) and stores easily with dimensions of 45 x 15 x 20.5 in (1.1 m x 38 cm x 52 cm). Use it to lift and move everything from computer and electronic equipment to small appliances or manufactured parts. It can even function as a work table.



PORTABLE DESIGN

The Load Lifter™ folds for compact storage — no tools required — and loads easily into a pickup truck for transport. Weighing in at 65 lbs (29 kg), it features durable, lightweight aluminum construction with a corrosion-resistant finish and is easy for one person to carry and maneuver.



CONVENIENT LOADING

The beveled aluminum platform allows easy loading and unloading, and field-installable foot brakes are available for additional security.



The compact choice for handling repetitive light-duty lifting.



NON-MARKING WHEELS

Non-marking “mold-on” rear wheels are standard to prevent marking or damaging floors.



STAIR HANDLING

Built-in stair glides above the rear tires provide easy handling over stairs and curbs.



EASY MANEUVERING

Optional front-swivel, non-marking casters can also be attached to the front of the base for easy maneuvering.



FAST, QUIET LIFT/WINCH SYSTEM

The quiet high-speed reversible winch quickly lifts and lowers heavy loads to improve productivity and minimize work disruption. High-strength aircraft-quality cable is vinyl-coated to prevent corrosion and fraying for longer life, and the vinyl-coated crossbar helps keep hands clean when using the unit.

LOAD LIFTER™ MODEL AVAILABLE

LL™

CUSTOMIZED VERSATILITY

With three base models and many accessories to choose from, the Genie® Lift™ is ideal for all your material handling needs. From the GL™-4 that lifts up to 500 lbs (227 kg) to 5 ft 11 in (1.80 m) to the GL™-12 that lifts up to 350 lbs (159 kg) to heights up to 13 ft 9.5 in (4.2 m), the Genie® Lift™ is perfect for a variety of jobs. The Genie® Lift™ is well suited for shipping/receiving, lifting heavy material to or from shelves, installing and repairing HVAC components, lifting and moving automotive parts, and other manufacturing applications. Compact and versatile, this unit is also easily loaded in a pickup truck for convenient transport.



STRADDLE BASE

Adjustable base legs straddle loads or fixed objects up to 36 in (91 cm) wide. Perfect for lifting small pallets, appliances and other bulky objects. (GL™-4, GL™-8, GL™-10, GL™-12)



COUNTERWEIGHT BASE

Short leg length lets you get close to your load. Excellent for accessing loads on countertops or shelves above fixed objects. Designed for use on level surfaces. (GL™-4, GL™-8, GL™-10)

STANDARD BASE

Compact design allows you to lift and maneuver in congested work areas. Great for general lifting and material delivery. Low loading height. (GL™-4, GL™-8) Shown here with optional pneumatic rear wheels.

Choose from three bases to customize the Genie® Lift™ for your job — it can be used as a hand truck, forklift or dolly for maximum versatility and value.



COMPACT, MANEUVERABLE DESIGN

The telescoping aluminum frame design makes the unit extremely compact. Plus, the durable steel forks can be reversed for greater flexibility. In addition, the winch handle is reversible, and a hold-down mechanism secures the carriage for easy transport and storage.



PLATFORM FOR LOAD HANDLING

The optional load platform fits easily over forks to handle odd-shaped loads and can also be used as a portable work table.



BOOM FOR ADDED VERSATILITY

The boom option turns your Genie® Lift™ into a vertical crane or hoist capable of lifting 210 to 500 lbs (95 to 227 kg) with up to 20 in (51 cm) of reach.



WHEELS AND CASTERS

8 in (20 cm) non-marking rear wheels and 2 in (5 cm) dual-wheel, front-swivel casters are standard on the standard and straddle base models. 5 in (12 cm) rear-swivel casters with side brakes and fixed 4 in (10 cm) front wheels are standard on the counterweight base model. Optional pneumatic rear tires and foot-release brake available (standard and straddle base only).



LADDER FOR INCREASED ACCESS

Attaching the sturdy aluminum ladder accessory makes your Genie® Lift™ a combination lift truck and stepladder for increased access to lifting and installation tasks. (Available on standard and straddle base models). The standard winch can be used while the ladder is in use or stowed.

GENIE® LIFT™ MODELS AVAILABLE

GL™-4 | GL™-8 | GL™-10 | GL™-12

EXTREME DURABILITY

Ideal for construction firms and all types of contractors, the Genie® Superlift Contractor® is well suited for industrial applications and HVAC installations. This unit can be easily operated by one person and can lift, lower and move loads up to 650 lbs (295 kg) to heights of up to 24 ft (7.32 m).

EASY TRANSPORT AND SETUP

Glide rails allow one person to easily load or unload the unit and lift it in or out of a pickup truck. Rear transport wheel assembly also facilitates maneuvering on uneven surfaces. Quick setup requires no tools.



STOWED POSITION

The heavy duty patented telescoping mast system stows in a compact position. Legs fold up and attachments are removable for easy storage.



Designed specifically for the construction industry, these heavy-duty units are extremely durable yet also lightweight and portable.

FIVE INTERCHANGEABLE ACCESSORIES

A variety of load handling accessories make this unit extremely versatile.



STANDARD FORKS accommodate various loads for versatile lifting. Get an additional 20 in (51 cm) of lift by turning over and re-pinning the forks.



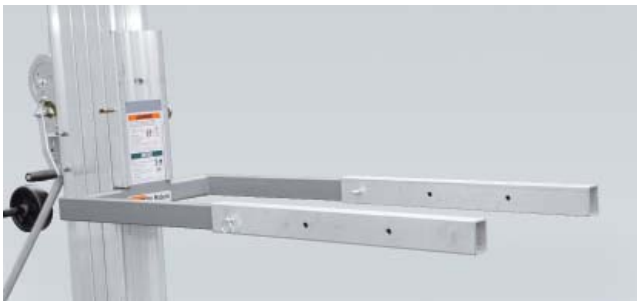
ADJUSTABLE FORKS widen from 11 to 30 in (28 to 76 cm) to accommodate diverse loads.



BOOM OPTION transforms your lift into a mobile, vertical crane or hoist to position tooling fixtures, circuit breakers, engines and more.



LOAD PLATFORM fits over the forks to handle odd-sized or heavy objects — no tools required for installation.



FORK EXTENSIONS insert onto standard forks for an additional 25 in (64 cm) of length.



SUPPORT FOR HEAVY LOADS

The captive stabilizer with patented “locking system” provides additional lateral support for heavy loads (standard on SLC™-18 and SLC™-24).



SUPERLIFT CONTRACTOR® MODELS AVAILABLE

SLC™-12

SLC™-18

SLC™-24

POWERFUL CHOICES

The Genie® Superlift Advantage® is a manually operated material lift with multiple base, winch and load handling options to create just the lift you need. The compact, portable design rolls through standard single doorways and loads easily into a pickup truck. It also lifts up to 1,000 lbs (454 kg) of material up to 11 ft 5.5 in (3.49 m) and up to 650 lbs (295 kg) to heights of up to 26 ft .5 in (7.94 m). With so many choices, the versatile Genie® Superlift Advantage® helps you maximize productivity and value for your money.



STRADDLE BASE

Versatile and adjustable, this base is perfect for wide loads and narrow doorways. It straddles loads from 31.5 to 50 in (80 to 127 cm) wide and easily handles pallets up to 48 in (122 cm) wide. Flat forks allow ground level loading. (SLA™-5, SLA™-10, SLA™-15)

STANDARD BASE

This field-proven design provides dependable performance with a welded steel base for extra support. Stabilizers are standard on 20 and 25 ft (6.1 and 7.6 m) models. There are no loose parts. (SLA™-5, SLA™-10, SLA™-15, SLA™-20, SLA™-25)



Choose base, mast height, winch speed and load handling attachments to configure the exact material lift for your worksite.

EASY TO MANEUVER, LOAD AND STORE

The unit sets up quickly without any tools and is ready to go to work in seconds. It rolls through standard single doorways in the upright position — no need to remove the load or tilt back the lift. The optional rear transport wheel assembly also allows maneuverability on uneven surfaces. Legs fold up and attachments are removable for easy storage and loading, plus a hold-down bar secures the mast assembly during transport.



SEVEN LOAD HANDLING ATTACHMENTS

Interchangeable load handling attachments handle a large variety of workloads, so you can design your lift to meet your needs.



STANDARD FORKS accommodate a variety of general loads. Get an additional 20 in (51 cm) of lift by turning over and re-pinning the forks.



ADJUSTABLE FORKS widen from 11.5 to 30 in (29 to 76 cm) to accommodate diverse loads.



FLAT FORKS, which widen from 16 to 31 in (41 to 79 cm) to provide proper support, allow you to easily lift your load off of flat surfaces.



FORK EXTENSIONS insert onto standard forks for an additional 25 in (64 cm) of length.



LOAD PLATFORM fits over the forks to handle odd-sized or heavy objects — no tools required for installation.



BOOM option transforms your lift into a mobile, vertical crane or hoist to position tooling fixtures, circuit breakers, engines and more.



PATENTED TELESCOPING MAST SYSTEM Heavy-duty design provides compactness, strength and rigidity.



SUPPORT FOR HEAVY LOADS The captive stabilizer with patented “locking system” provides additional lateral support for heavy loads (standard on SLA™-20 and SLA™-25).

SUPERLIFT ADVANTAGE® MODELS AVAILABLE

SLA™-5 | SLA™-10 | SLA™-15 | SLA™-20 | SLA™-25

EXCELLENT SUPPORTING PERFORMANCE

The Genie® Super Tower™ is the industry standard for theatrical productions and entertainment events. It telescopes lighting, sound systems and scenery weighing up to 800 lbs (363 kg) and can lift to heights up to 26 ft .5 in (7.94 m). And the standard flat black anodized finish blends in perfectly backstage, making it virtually invisible to audiences. It's also compact and portable for easy transport and storage.



EASY TRANSPORT AND STORAGE

The compact stowed position makes the Super Tower™ easy to move through doors and load on trucks with no bulky base to get in the way. Stowed dimensions are 22 in (56 cm) by 25.25 in (64 cm).

OPTIONS AND ACCESSORIES

LOAD PLATFORM fits over standard forks with no tools required to handle heavy or odd-shaped objects.

FORK EXTENSIONS insert onto standard forks for an additional 25 in (64 cm) of length.

QUICK, SIMPLE SETUP

Just install the outriggers and set the leveling jacks.

SUPER TOWER™ MODELS AVAILABLE

ST™-20 | ST™-25

**The ideal choice for lifting and supporting
lighting/sound systems and stage scenery while blending in backstage.**

SPECIFICATIONS MATERIAL LIFTS

MODEL	LIFTING HEIGHT		LIFTING CAPACITY	
	US	Metric	US	Metric
SUPER HOIST™				
GH™ 3.8	12 ft 5.6 in	3.80 m	300 lbs	136 kg
GH™ 5.6	18 ft 4.5 in	5.60 m	250 lbs	113 kg

LOAD LIFTER™				
LL™	5 ft 7 in	1.70 m	200 lbs	91 kg

GENIE® LIFT™				
GL™-4	5 ft 11 in	1.80 m	500 lbs	227 kg
GL™-8	10 ft .5 in	3.06 m	400 lbs	181 kg
GL™-10	11 ft 8 in	3.56 m	350 lbs	159 kg
GL™-12	13 ft 9.5 in	4.20 m	350 lbs	159 kg

Capacities listed are with a 12 in (30 cm) load center.

SUPERLIFT CONTRACTOR®				
SLC™-12	12 ft 11 in	3.94 m	650 lbs	295 kg
SLC™-18	18 ft 6 in	5.64 m	650 lbs	295 kg
SLC™-24	24 ft	7.32 m	650 lbs	295 kg

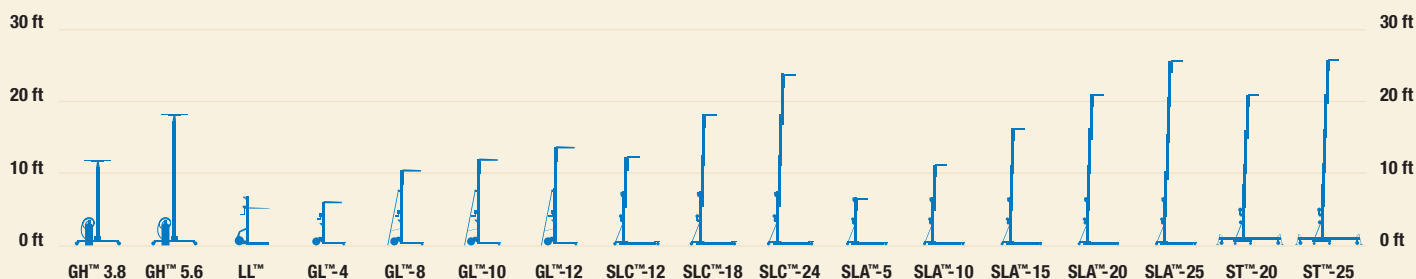
Capacities listed are with a 14 in (36 cm) load center.

SUPERLIFT ADVANTAGE®				
SLA™-5	6 ft 7 in	2.0 m	1,000 lbs	454 kg
SLA™-10	11 ft 5.5 in	3.49 m	1,000 lbs	454 kg
SLA™-15	16 ft 4 in	4.98 m	800 lbs	363 kg
SLA™-20	21 ft 2.5 in	6.46 m	800 lbs	363 kg
SLA™-25	26 ft .5 in	7.94 m	650 lbs	295 kg

Capacities listed are with a 18 in (46 cm) load center.

SUPER TOWER™				
ST™-20	21 ft 2.5 in	6.46 m	800 lbs	363 kg
ST™-25	26 ft .5 in	7.94 m	650 lbs	295 kg

Capacities listed are with a 18 in (46 cm) load center.





GENIE HAS YOU COVERED

Genie
A TEREX BRAND

18340 NE 76th Street, P.O. Box 97030, Redmond, Washington 98073-9730
Telephone **+1 (425) 881-1800** • Toll Free in USA/Canada **+1 800-536-1800** • Fax +1 (425) 883-3475
www.genieindustries.com

WORLDWIDE MANUFACTURING AND DISTRIBUTION

Australia • Brazil • Caribbean • Central America • China • France • Germany • Italy • Japan • Korea • Mexico
Southeast Asia • Spain • Sweden • United Arab Emirates • United Kingdom • United States

Effective Date: July, 2010. Product specifications and prices are subject to change without notice or obligation. The photographs and/or drawings in this document are for illustrative purposes only. Refer to the appropriate Operator's Manual for instructions on the proper use of this equipment. Failure to follow the appropriate Operator's Manual when using our equipment or to otherwise act irresponsibly may result in serious injury or death. The only warranty applicable to our equipment is the standard written warranty applicable to the particular product and sale and we make no other warranty, express or implied. Products and services listed may be trademarks, service marks or trade-names of Terex Corporation, Genie Industries, Inc. and/or their subsidiaries in the U.S.A. and many other countries. All rights are reserved. Terex is a Registered Trademark of Terex Corporation in the U.S.A. and many other countries. Genie, Superlift Advantage and Superlift Contractor are Registered Trademarks of Genie Industries, Inc. in the U.S.A. and many other countries. Genie is a Terex Brand. © 2010 Terex Corporation. MatLift Family 5K 0109M. Part No. 109306