



SPARE PARTS LIST

ACCESSORIES AND TOOLS

HYDRAULIC BREAKER

Go to Discount-Equipment.com to order your parts



PARTS FINDER

**Search Website
by Part Number**



**Search Manual
Library For Parts
Manual & Lookup Part
Numbers – Purchase
or Request Quote**

Search Manuals

Enter your information to help us find the right parts manual for your machine.

* Brand:

* Model:

* Serial:

* Part Number:

SEARCH

**Can't Find Part or
Manual? Request Help
by Manufacturer,
Model & Description**

Parts Order Form

Please fill in the following information to help us find the right part for your machine.

Manufacturer:	<input type="text"/>
Model:	<input type="text"/>
Description:	<input type="text"/>
Part Number:	<input type="text"/>
Quantity:	<input type="text"/>
Notes:	<input type="text"/>

Submit

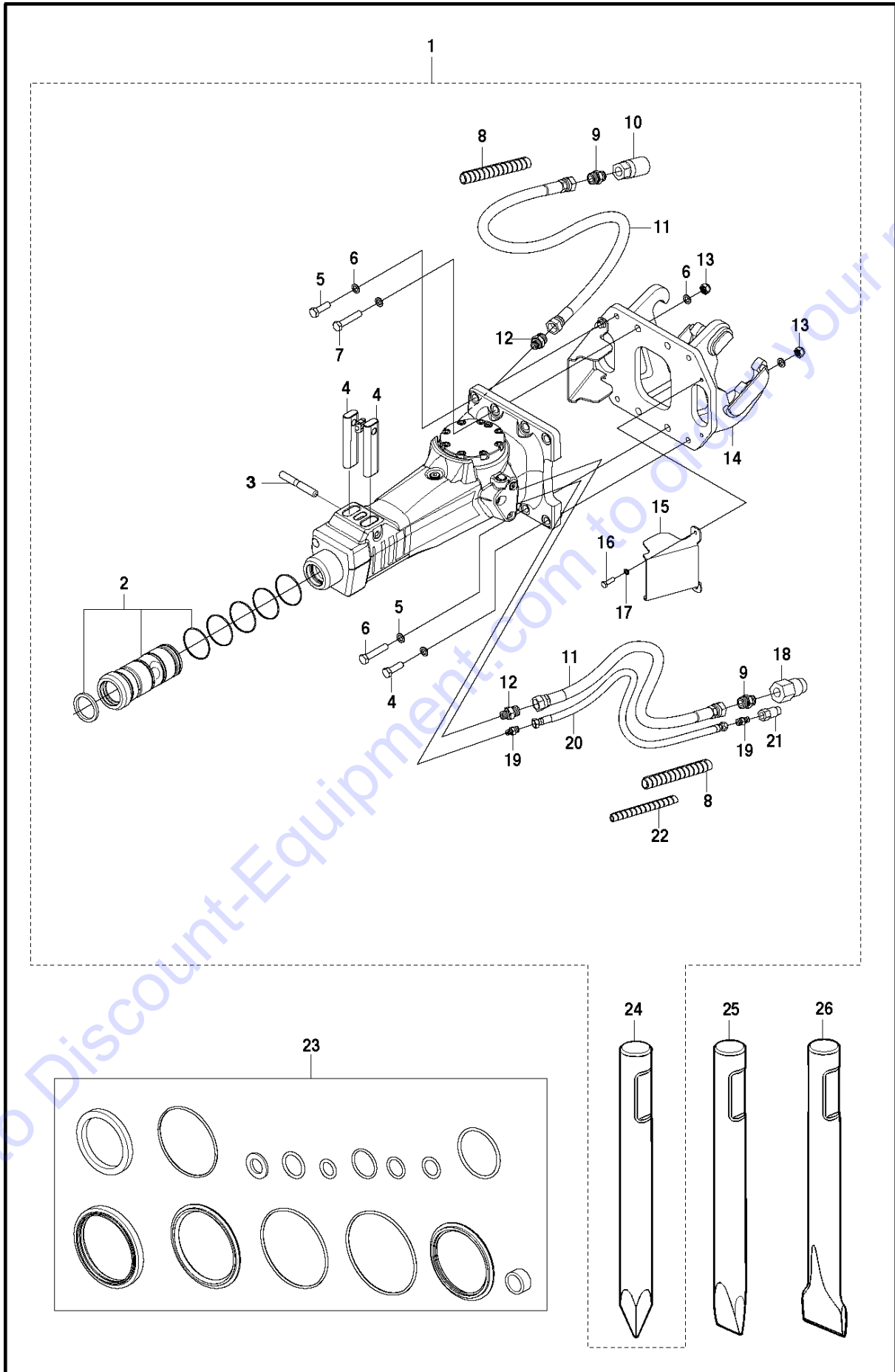
Discount-Equipment.com is your online resource for quality parts & equipment.

Florida: **561-964-4949** Outside Florida TOLL FREE: **877-690-3101**

Need parts?

Click on this link: <http://www.discount-equipment.com/category/5443-parts/> and choose one of the options to help get the right parts and equipment you are looking for. Please have the machine model and serial number available in order to help us get you the correct parts. If you don't find the part on the website or on one of the online manuals, please fill out the request form and one of our experienced staff members will get back to you with a quote for the right part that your machine needs.

We sell worldwide for the brands: Genie, Terex, JLG, MultiQuip, Mikasa, Essick, Whiteman, Mayco, Toro Stone, Diamond Products, Generac Magnum, Airman, Haulotte, Barreto, Power Blanket, Nifty Lift, Atlas Copco, Chicago Pneumatic, Allmand, Miller Curber, Skyjack, Lull, Skytrak, Tsurumi, Husquvarna Target, Stow, Wacker, Sakai, Mi-T-M, Sullair, Basic, Dynapac, MBW, Weber, Bartell, Bennar Newman, Haulotte, Ditch Runner, Menegotti, Morrison, Contec, Buddy, Crown, Edco, Wyco, Bomag, Laymor, EZ Trench, Bil-Jax, F.S. Curtis, Gehl Pavers, Heli, Honda, ICS/PowerGrit, IHI, Partner, Imer, Clipper, MMD, Koshin, Rice, CH&E, General Equipment, Amida, Coleman, NAC, Gradall, Square Shooter, Kent, Stanley, Tamco, Toku, Hatz, Kohler, Robin, Wisconsin, Northrock, Oztec, Toker TK, Rol-Air, APT, Wylie, Ingersoll Rand / Doosan, Innovatech, Con X, Ammann, Mecalac, Makinex, Smith Surface Prep, Small Line, Wanco, Yanmar

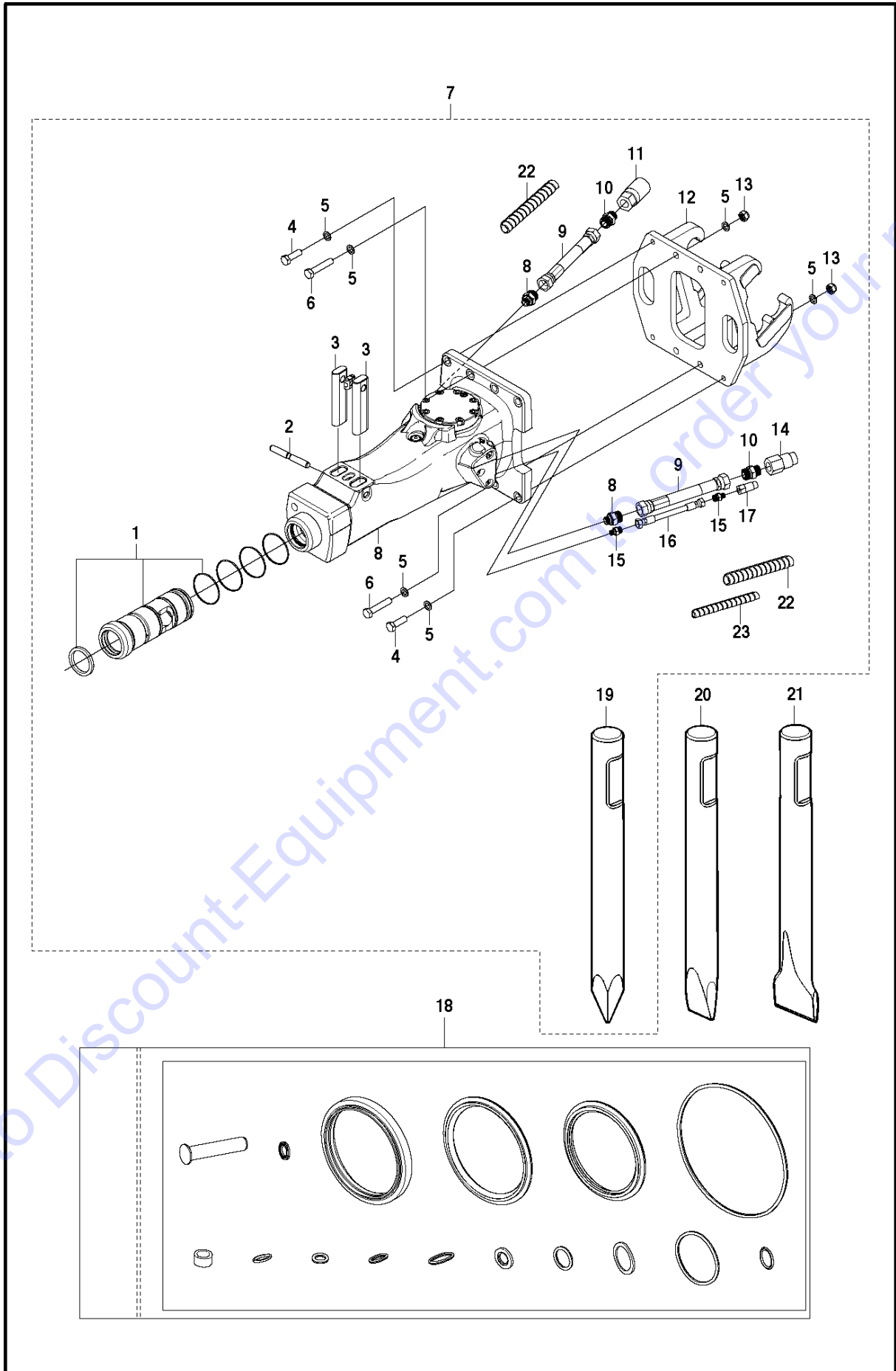


HYDRAULIC BREAKER SB152

HYDRAULIC BREAKER

Ref	Part No	Description	Remark	QTY	KIT
1	576 18 91-01	TOOL		1	
2	576 63 68-01	BUSHING		1	1
3	576 63 69-01	PIN		1	1
4	576 63 70-01	RETAINER		2	1
5	522 66 79-01	SCREW EHHM		4	1
6	522 48 73-01	WASHER		12	1
7	522 80 89-01	SCREW EHHM		4	1
8	523 04 34-03	PROTECTIVE SPIRAL		2	1
9	574 24 61-01	ADAPTER		2	1
10	510 26 81-01	QUICK COUPLING		1	1
11	574 24 57-05	HOSE ASSY		2	1
12	574 24 60-01	ADAPTER		2	1
13	522 66 97-01	LOCKING NUT		4	1
14	576 17 51-01	ADAPTER		1	1
15	525 84 02-01	PROTECTION		2	1
16	522 66 72-02	SCREW IHSCM		4	1
17	522 67 17-01	WASHER		4	1
18	510 26 80-01	QUICK COUPLING		1	1
19	510 24 57-01	ADAPTER		2	1
20	510 25 18-17	HOSE ASSY		1	1
21	510 26 78-01	QUICK COUPLING		1	1
22	523 04 33-03	PROTECTIVE SPIRAL		1	1
23	576 63 71-01	SEAL		1	
24	576 63 35-01	HAMMER	Moil Point, working length 30 cm	1	1
25	576 63 35-02	HAMMER	Chisel, working length 30 cm	1	
26	576 63 35-03	HAMMER	Wide Chisel, working length 27 cm	1	

Go to Discount-Equipment.com to order your parts

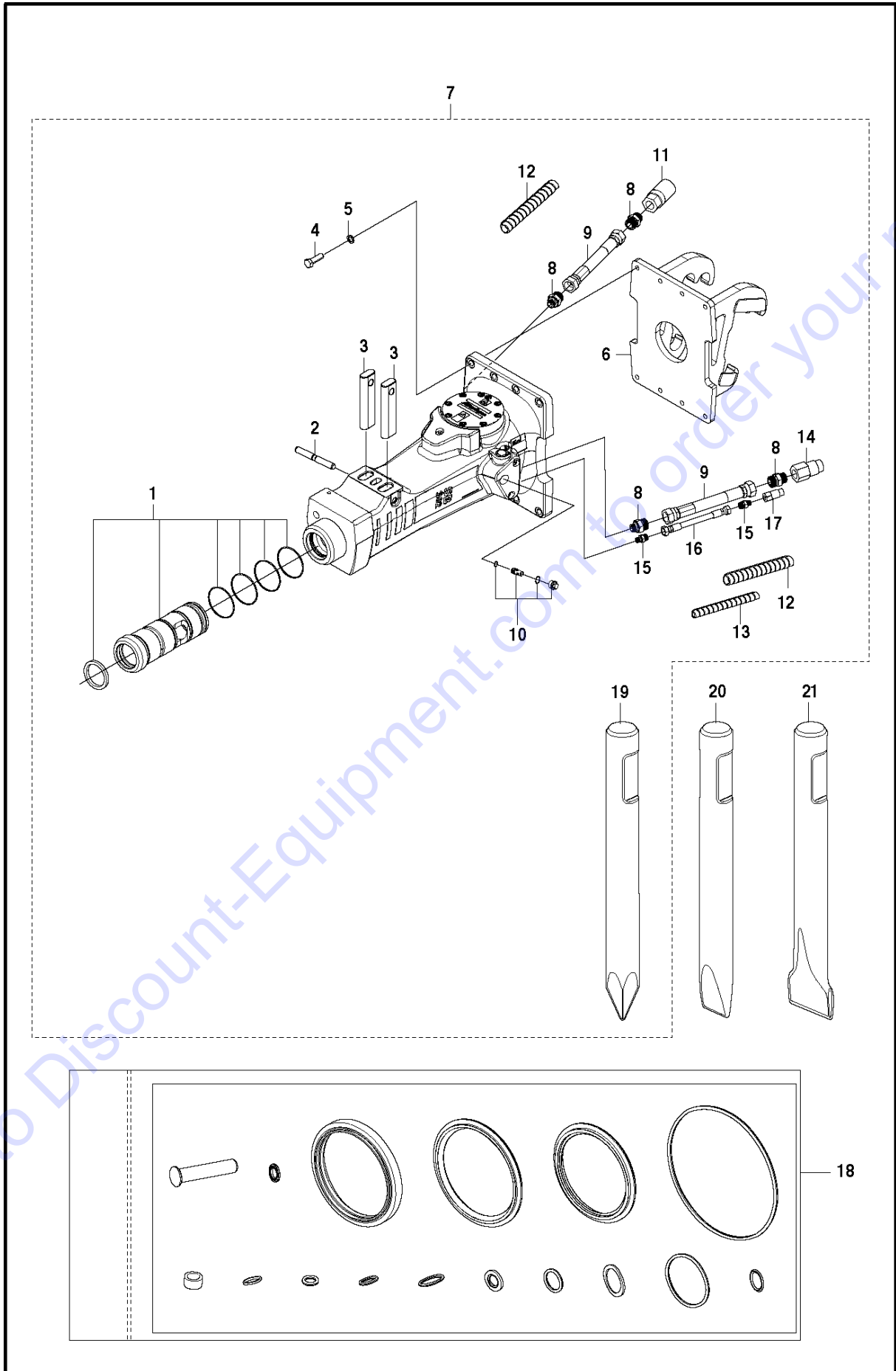


HYDRAULIC BREAKER SB202

HYDRAULIC BREAKER

Ref	Part No	Description	Remark	QTY	KIT
1	576 63 68-02	BUSHING		1	7
2	576 63 69-02	PIN		1	7
3	576 63 70-02	RETAINER		2	7
4	522 66 79-01	SCREW EHHM		4	7
5	522 48 73-01	WASHER		12	7
6	522 66 75-01	SCREW EHHM		4	7
7	522 48 24-01	TOOL		1	
7	580 90 21-01	HAMMER	Heat Resistant Hammer	1	
8	510 25 87-01	ADAPTER		2	7
9	510 19 51-02	HOSE ASSY		2	7
10	510 26 46-01	ADAPTER		2	7
11	510 26 81-01	QUICK COUPLING		1	7
12	510 27 37-01	ADAPTER		1	7
13	522 66 97-01	LOCKING NUT		4	7
14	510 26 80-01	QUICK COUPLING		1	7
15	505 26 84-01	ADAPTER		2	7
16	510 17 44-07	HOSE ASSY		1	7
17	510 26 78-01	QUICK COUPLING		1	7
18	576 63 71-02	SEAL		1	
19	522 86 95-01	TOOL	Moil Point, working length 32 cm	1	7
20	522 86 95-02	TOOL	Chisel, working length 32 cm	1	
21	522 86 95-03	TOOL	Wide Chisel, working length 37 cm	1	
22	523 04 32-02	PROTECTIVE SPIRAL		2	
23	523 04 33-02	PROTECTIVE SPIRAL		1	

Go to Discount-Equipment.com to Order your parts



HYDRAULIC BREAKER SB302

HYDRAULIC BREAKER

Ref	Part No	Description	Remark	QTY	KIT
1	586 49 84-01	BUSHING		1	7
2	586 49 85-01	LOCKING PIN		1	7
3	586 49 86-01	RETAINER		2	7
4	522 66 79-01	SCREW EHHM		8	7
5	522 48 73-01	WASHER		8	7
6	575 83 11-01	HITCH		1	7
7	586 50 13-01	TOOL		1	
7	587 05 02-01	TOOL	Heat Resistant Hammer	1	
8	510 26 46-01	ADAPTER		4	7
9	510 19 51-02	HOSE ASSY		2	7
10	586 51 23-01	VALVE		1	7
11	510 26 81-01	QUICK COUPLING		1	7
12	523 04 32-02	PROTECTIVE SPIRAL		2	7
13	523 04 33-02	PROTECTIVE SPIRAL		1	7
14	510 26 80-01	QUICK COUPLING		1	7
15	505 26 84-01	ADAPTER		2	7
16	510 17 44-07	HOSE ASSY		1	7
17	510 26 78-01	QUICK COUPLING		1	7
18	586 51 12-01	SEAL KIT		1	
19	586 50 10-01	TOOL	Moil Point, working length 47 cm	1	7
20	586 50 11-01	TOOL	Chisel, working length 47 cm	1	
21	586 50 12-01	TOOL	Wide Chisel, working length 44 cm	1	

Go to Discount-Equipment.com to Order your parts

PARTS FINDER

**Search Website
by Part Number**



**Search Manual
Library For Parts
Manual & Lookup Part
Numbers – Purchase
or Request Quote**

Search Manuals

Enter your information to help us find the right parts manual for your machine.

* Brand:

* Model:

* Serial:

* Part Number:

SEARCH

**Can't Find Part or
Manual? Request Help
by Manufacturer,
Model & Description**

Parts Order Form

Please fill in the following information to help us find the right part for your machine.

Manufacturer:	<input type="text"/>
Model:	<input type="text"/>
Description:	<input type="text"/>
Part Number:	<input type="text"/>
Quantity:	<input type="text"/>
Notes:	<input type="text"/>

Discount-Equipment.com is your online resource for quality parts & equipment.

Florida: **561-964-4949** Outside Florida TOLL FREE: **877-690-3101**

Need parts?

Click on this link: <http://www.discount-equipment.com/category/5443-parts/> and choose one of the options to help get the right parts and equipment you are looking for. Please have the machine model and serial number available in order to help us get you the correct parts. If you don't find the part on the website or on one of the online manuals, please fill out the request form and one of our experienced staff members will get back to you with a quote for the right part that your machine needs.

We sell worldwide for the brands: Genie, Terex, JLG, MultiQuip, Mikasa, Essick, Whiteman, Mayco, Toro Stone, Diamond Products, Generac Magnum, Airman, Haulotte, Barreto, Power Blanket, Nifty Lift, Atlas Copco, Chicago Pneumatic, Allmand, Miller Curber, Skyjack, Lull, Skytrak, Tsurumi, Husquvarna Target, Stow, Wacker, Sakai, Mi-T-M, Sullair, Basic, Dynapac, MBW, Weber, Bartell, Bennar Newman, Haulotte, Ditch Runner, Menegotti, Morrison, Contec, Buddy, Crown, Edco, Wyco, Bomag, Laymor, EZ Trench, Bil-Jax, F.S. Curtis, Gehl Pavers, Heli, Honda, ICS/PowerGrit, IHI, Partner, Imer, Clipper, MMD, Koshin, Rice, CH&E, General Equipment, Amida, Coleman, NAC, Gradall, Square Shooter, Kent, Stanley, Tamco, Toku, Hatz, Kohler, Robin, Wisconsin, Northrock, Oztec, Toker TK, Rol-Air, APT, Wylie, Ingersoll Rand / Doosan, Innovatech, Con X, Ammann, Mecalac, Makinex, Smith Surface Prep, Small Line, Wanco, Yanmar