



Count on it.

Parts Catalog

TXL 2000

Tool Carrier

Model No. 22531—Serial No. 40000000 and Up

Go to Discount-Equipment.com to order your parts



www.discount-equipment.com



PARTS FINDER

**Search Website
by Part Number**



**Search Manual
Library For Parts
Manual & Lookup Part
Numbers – Purchase
or Request Quote**

Search Manuals

Enter your information to help us find the right parts manual for your machine.

* Brand:

* Model:

* Serial:

* Part Number:

SEARCH

**Can't Find Part or
Manual? Request Help
by Manufacturer,
Model & Description**

Parts Order Form

Please fill in the following information to help us find the right part for your machine.

Manufacturer:	<input type="text"/>
Model:	<input type="text"/>
Description:	<input type="text"/>
Part Number:	<input type="text"/>
Quantity:	<input type="text"/>
Notes:	<input type="text"/>

Submit

Discount-Equipment.com is your online resource for quality parts & equipment.

Florida: **561-964-4949** Outside Florida TOLL FREE: **877-690-3101**

Need parts?

Click on this link: <http://www.discount-equipment.com/category/5443-parts/> and choose one of the options to help get the right parts and equipment you are looking for. Please have the machine model and serial number available in order to help us get you the correct parts. If you don't find the part on the website or on one of the online manuals, please fill out the request form and one of our experienced staff members will get back to you with a quote for the right part that your machine needs.

We sell worldwide for the brands: Genie, Terex, JLG, MultiQuip, Mikasa, Essick, Whiteman, Mayco, Toro Stone, Diamond Products, Generac Magnum, Airman, Haulotte, Barreto, Power Blanket, Nifty Lift, Atlas Copco, Chicago Pneumatic, Allmand, Miller Curber, Skyjack, Lull, Skytrak, Tsurumi, Husquvarna Target, Stow, Wacker, Sakai, Mi-T-M, Sullair, Basic, Dynapac, MBW, Weber, Bartell, Bennar Newman, Haulotte, Ditch Runner, Menegotti, Morrison, Contec, Buddy, Crown, Edco, Wyco, Bomag, Laymor, EZ Trench, Bil-Jax, F.S. Curtis, Gehl Pavers, Heli, Honda, ICS/PowerGrit, IHI, Partner, Imer, Clipper, MMD, Koshin, Rice, CH&E, General Equipment, Amida, Coleman, NAC, Gradall, Square Shooter, Kent, Stanley, Tamco, Toku, Hatz, Kohler, Robin, Wisconsin, Northrock, Oztec, Toker TK, Rol-Air, APT, Wylie, Ingersoll Rand / Doosan, Innovatech, Con X, Ammann, Mecalac, Makinex, Smith Surface Prep, Small Line, Wanco, Yanmar

Ordering Replacement Parts

To order replacement parts, please supply the part number, the quantity, and the description of each part desired.

Understanding Reference Numbers

Each identified part in an illustration has a reference number. The reference number for a part also appears in the parts list, along with other information about the part.

This catalog uses two special reference number formats, one to indicate parts in a service assembly and another to indicate the quantity of a given part in an illustration.

Service Assembly Reference Numbers

Parts in service assemblies have reference numbers in the form a:b. The a represents the reference number of the entire service assembly and the b represents a sequential number unique to each part within the service assembly.

For example, a wheel assembly might be identified by reference number 6, the tire by 6:1, the valve by 6:2, and the wheel by 6:3. When you order the assembly identified by reference number 6, you receive all parts identified by reference numbers 6:1, 6:2, and 6:3. However, you may also order any part individually. Reference numbers of this type appear in illustration and in parts lists.

Reference Numbers Indicating Quantity

In an illustration, if a reference number indicates more than one part, the reference number has the form nX y. The n represents the quantity of the part, the X is the multiplication symbol, and the y represents the reference number.

For example, in an illustration, the reference number 2X 37 means that two of the parts identified by reference number 37 are indicated.

Go to Discount-Equipment.com to order your parts

Contents

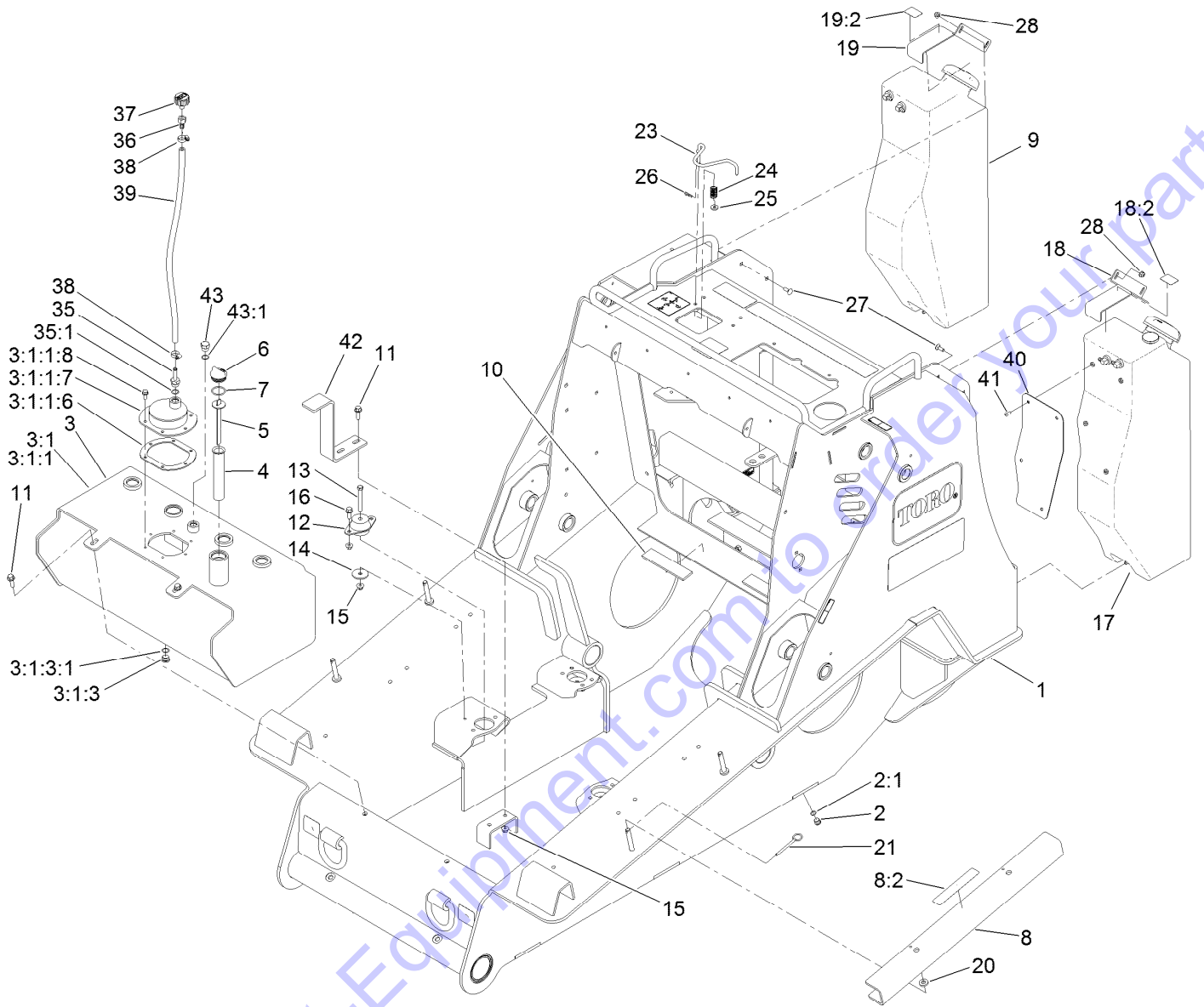
Frame Assembly	6
Frame Assembly No. 138-4723	8
RH Fuel Tank Assembly No. 133-6814	10
LH Fuel Tank Assembly No. 133-6991	12
Track Mount Assembly	14
LH Track Assembly	16
RH Track Assembly	18
Track Drive Assembly No. 136-4751	20
Engine and Air Cleaner Assembly	22
Air Cleaner Assembly No. 99-5410	24
Engine Mount, Starter Shield and Air Intake Hose Assembly	26
Fuel Pump and Water Separator Assembly	28
Fuel Filter and Hose Assembly	30
Radiator and Fan Assembly	32
Radiator Hose Assembly	34
Lift Valve and Pump Assembly	36
Lift Valve Assembly No. 136-4783	38
Gear Pump Assembly No. 133-0281	40
Auxiliary Hydraulic Assembly	42
Auxiliary Manifold Assembly No. 136-4872	44
Tandem Pump Assembly	46
Tandem Hydraulic Pump Assembly No. 132-8497	48
Front Hydraulic Pump Assembly No. 139-4800	50
Front Hydraulic Pump Assembly No. 139-4800	52
Front Hydraulic Pump Assembly No. 139-4800	54
Front Hydraulic Pump Assembly No. 139-4800	56
Rear Hydraulic Pump Assembly No. 139-4801	58
Rear Hydraulic Pump Assembly No. 139-4801	60
Rear Hydraulic Pump Assembly No. 139-4801	62
Rear Hydraulic Pump Assembly No. 139-4801	64
Loader Arm Hydraulic Hose Assembly	66
Control Console Assembly	68
Loader Arm Assembly	70
Hydraulic Cylinder Assembly No. 132-1685	72
Hydraulic Cylinder Assembly No. 132-1701	74
Qtach Assembly No. 132-8468	76
Platform Assembly	78
Cover and Access Panel Assembly	80
Electrical Assembly	82
Wire Harness Assembly No. 133-6871	84
Crankcase Assembly	86
Oil Pan Assembly	88
Oil Dipstick and Guide Assembly	90
Oil Pump Assembly	92
Cylinder Head Assembly	94
Inlet and Exhaust Manifold Assembly	96
Rocker Arm Assembly	98
Cylinder Head Cover Assembly	100
Gear Case Assembly	102
Oil Filter Cartridge Assembly	104
Main Bearing Case Assembly	106
Piston and Crankshaft Assembly	108
Cam Shaft and Idle Gear Assembly	110
Flywheel Assembly	112

Contents (continued)

Fuel Pump (Mechanical) Assembly	114
Fuel Camshaft Assembly	116
Supply Pump Assembly	118
Fuel Filter Assembly	120
Separator Assembly	122
Injector and Glow Plug Assembly	124
Injection Pipe Assembly	126
Fuel Pump (Electrical) Assembly	128
Common Rail Assembly	130
Alternator and Pulley Assembly	132
Alternator Components Assembly	134
Starter Installation Assembly	136
Starter (Component Parts) Assembly	138
Oil Switch and Thermometer Assembly	140
Injector Harness Assembly	142
Wire Harness Assembly	144
Wire Harness Bracket Assembly	146
Water Flange and Thermostat Assembly	148
Water Pipe Assembly	150
Water Pump Assembly	152
Inlet Manifold Assembly	154
Inlet Hose Assembly	156
Exhaust Manifold Assembly	158
Exhaust Gas Recirculation Assembly	160
Exhaust Gas Recirculation Cooler Assembly	162
Turbo Charger Assembly	164
Diesel Oxidation Catalyst Muffler Assembly	166
Diesel Oxidation Catalyst Muffler Bracket Assembly	168
Oil Separator Assembly	170
Oil Separator (Component Parts) Assembly	172
Oil Pipe (Turbo Charger) Assembly	174
Oil Cooler Assembly	176
Electronic Control Unit Assembly	178
Miscellaneous Engine Parts	180
Operator Manual	182
Attachments and Accessories	184

Go to Discount-Equipment.com to order your parts

Frame Assembly

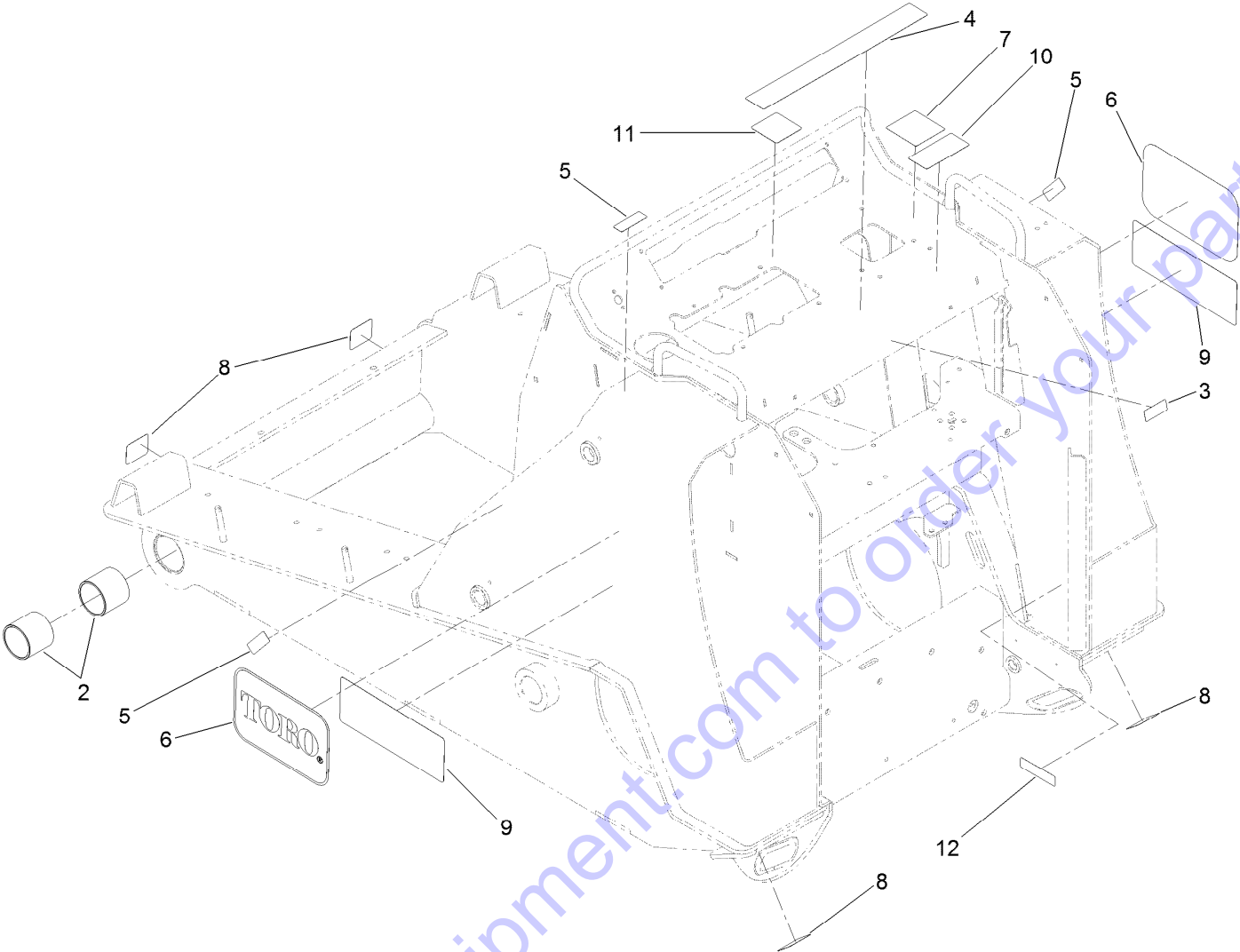


Frame Assembly (continued)

<i>Ref.</i>	<i>Part Number</i>	<i>Qty.</i>	<i>Description</i>	<i>Ref.</i>	<i>Part Number</i>	<i>Qty.</i>	<i>Description</i>
1	138-4723	1	Frame ASM	18	138-4725	1	Bracket-Tank, LH
2	353-989	1	Plug-Hex, Hollow	18:2	130-2845	1	Decal-Ultra Low Sulfur Diesel
2:1	237-42	1	O-Ring	19	138-4726	1	Bracket-Tank, RH
3	131-9336-03	1	HYD Tank ASM	19:2	130-2845	1	Decal-Ultra Low Sulfur Diesel
3:1		1	Tank-HYD ●	20	83-1470	4	Washer-Neoprene
3:1:1		1	Tank-HYD, Top ●	21	136-6125	4	Pin-Ring
3:1:1:6	107-3557	1	Gasket-Cover, Access	23	137-0428	1	Rod-Interlock
3:1:1:7	138-2342	1	Cover-Access	24	85-6750	1	Spring-Control
3:1:1:8	98-9940	6	Screw-HHF	25	88-7200	1	Washer-Flat
3:1:3	353-988	1	Plug-Hex	26	3290-307	1	Pin-Cotter
3:1:3:1	237-79	1	O-Ring	27	3230-16	4	Screw-CARR
4	61-2790	1	Filter-Screen	28	104-8300	4	Nut-HF, NI
5	130-7686	1	Dipstick	35	115-2231	1	Fitting-STR
6	93-7498	1	Plug-Plastic	35:1	237-79	1	O-Ring
7	237-123	1	O-Ring	36	354-94	1	Fitting-Female, Barbed
8	138-4724	2	Arm-Locking	37	68-6150	1	Breather
8:2	115-4858	2	Decal-Danger	38	2412-36	2	Clamp-Hose
9	133-6814	1	RH Fuel Tank ASM	39	114-0832	1	Hose-Fuel
10	112-2401	2	Pad-Rubber	40	138-4721-03	1	Plate-Guard, Tank
11	3234-24	4	Screw-HHF	41	3274-31	4	Screw-HSBH
12	136-4885	4	Mount-Engine	42	138-2337-03	1	Strap-Hold Down
13	323-14	4	Screw-HH	43	353-550	1	Plug-HYD, HH
14	63-7400	4	Washer-Rebound	43:1	237-79	1	O-Ring
15	104-8301	14	Nut-HF, NI				
16	3234-11	8	Screw-HHF				
17	133-6991	1	LH Fuel Tank ASM				

● Not serviced separately

Frame Assembly No. 138-4723



Go to Discount-Equipment.com to order your parts

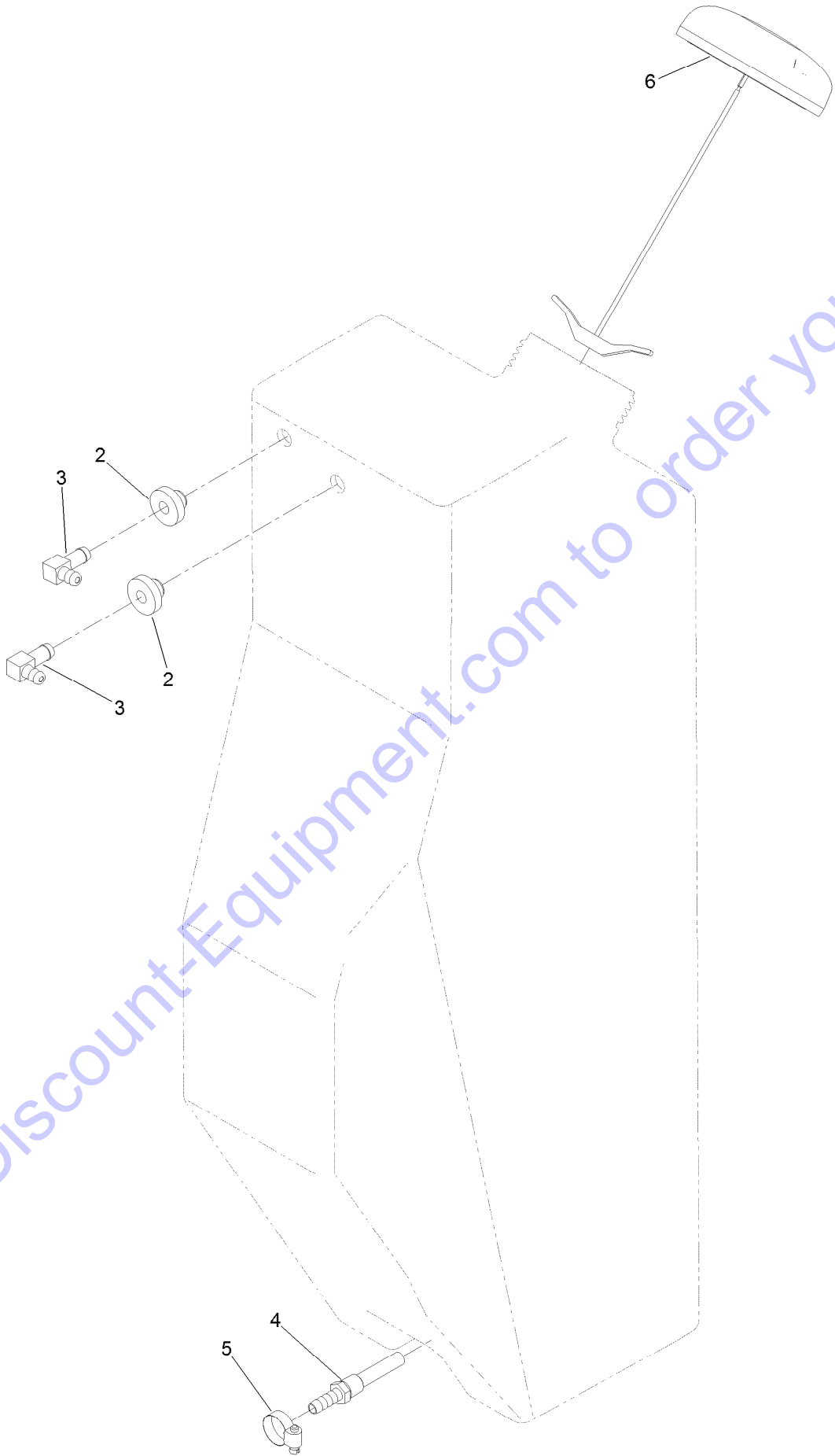
Frame Assembly No. 138-4723 (continued)

<i>Ref.</i>	<i>Part Number</i>	<i>Qty.</i>	<i>Description</i>
2	138-0164	4	Bushing-CYL
3	115-2047	1	Decal-Surface, Hot
4	131-0710	1	Decal-Safety
5	120-0625	3	Decal-Warning
6	66-1210	2	Decal
7	115-4857	1	Decal-Control, Loader

<i>Ref.</i>	<i>Part Number</i>	<i>Qty.</i>	<i>Description</i>
8	125-6694	4	Decal-Tie Down
9	137-5418	2	Decal
10	139-1162	1	Decal-Extended Arm Safety
11	139-1171	1	Decal-Loader Controls
12	133-8062	1	Decal-Arrestor, Spark

Go to Discount-Equipment.com to order your parts

RH Fuel Tank Assembly No. 133-6814



Go to Discount-Equipment.com to order your parts

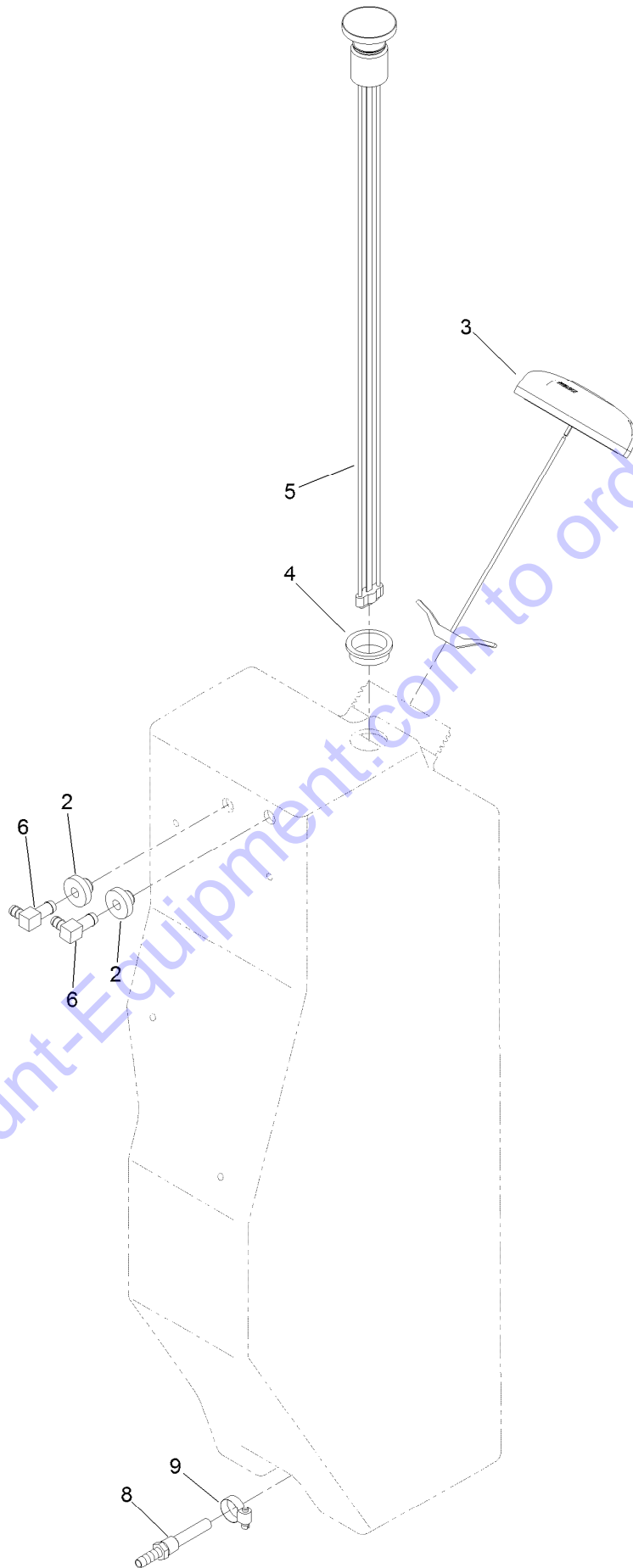
RH Fuel Tank Assembly No. 133-6814 (continued)

<i>Ref.</i>	<i>Part Number</i>	<i>Qty.</i>	<i>Description</i>
2	46-6560	2	Bushing
3	46-6550	2	Fitting-Elbow, 90 DEG
4	112-6374	1	Fitting-Strainer

<i>Ref.</i>	<i>Part Number</i>	<i>Qty.</i>	<i>Description</i>
5	2412-36	1	Clamp-Hose
6	136-4865	1	Cap-Fuel

Go to Discount-Equipment.com to order your parts

LH Fuel Tank Assembly No. 133-6991



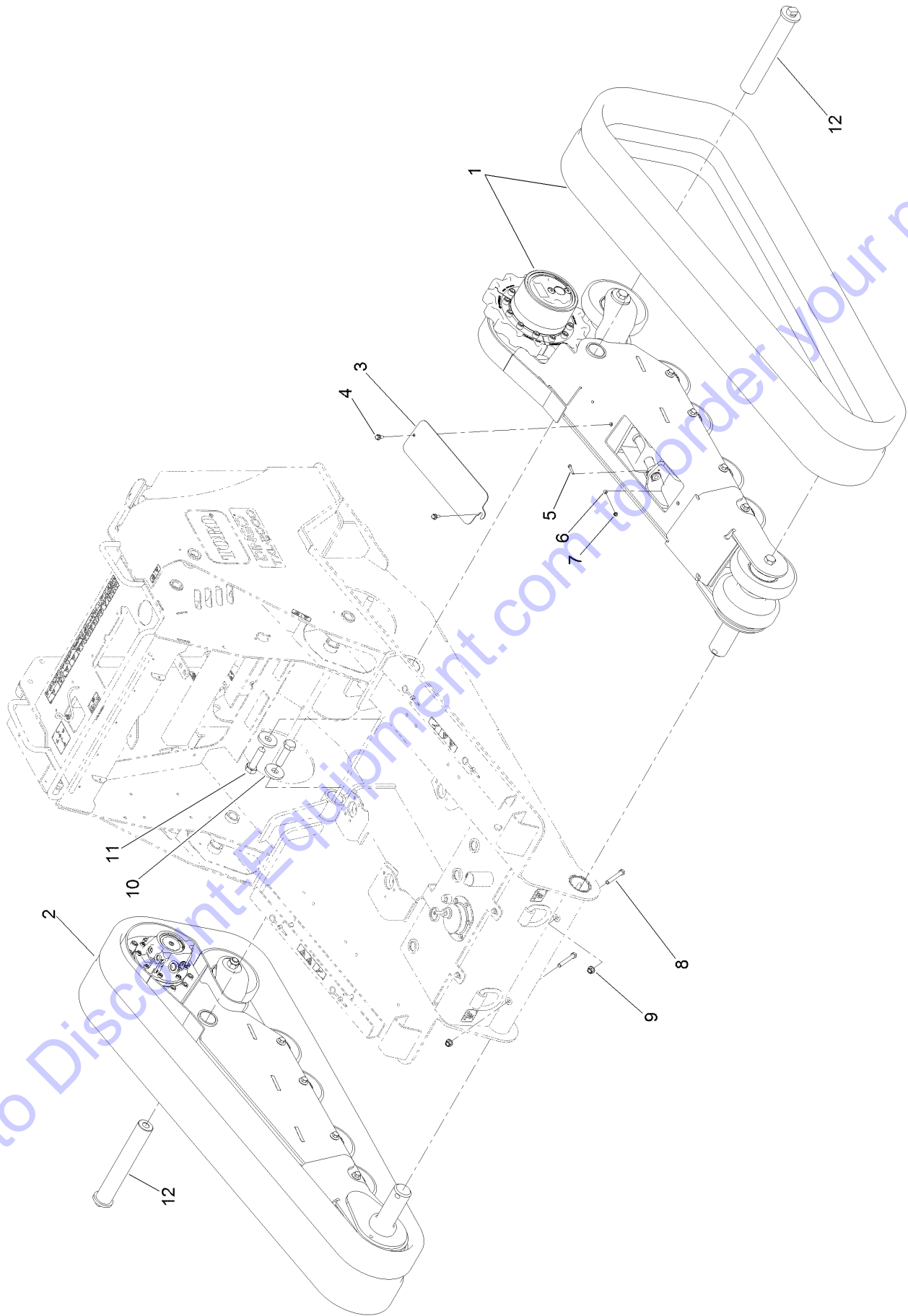
LH Fuel Tank Assembly No. 133-6991 (continued)

<i>Ref.</i>	<i>Part Number</i>	<i>Qty.</i>	<i>Description</i>
2	46-6560	2	Bushing
3	136-4865	1	Cap-Fuel
4	95-8972	1	Grommet
5	133-6992	1	Gauge-Level, Fuel

<i>Ref.</i>	<i>Part Number</i>	<i>Qty.</i>	<i>Description</i>
6	46-6550	2	Fitting-Elbow, 90 DEG
8	112-6374	1	Fitting-Strainer
9	2412-36	1	Clamp-Hose

Go to Discount-Equipment.com to order your parts

Track Mount Assembly



Go to DiscountEquipment.com to order your parts

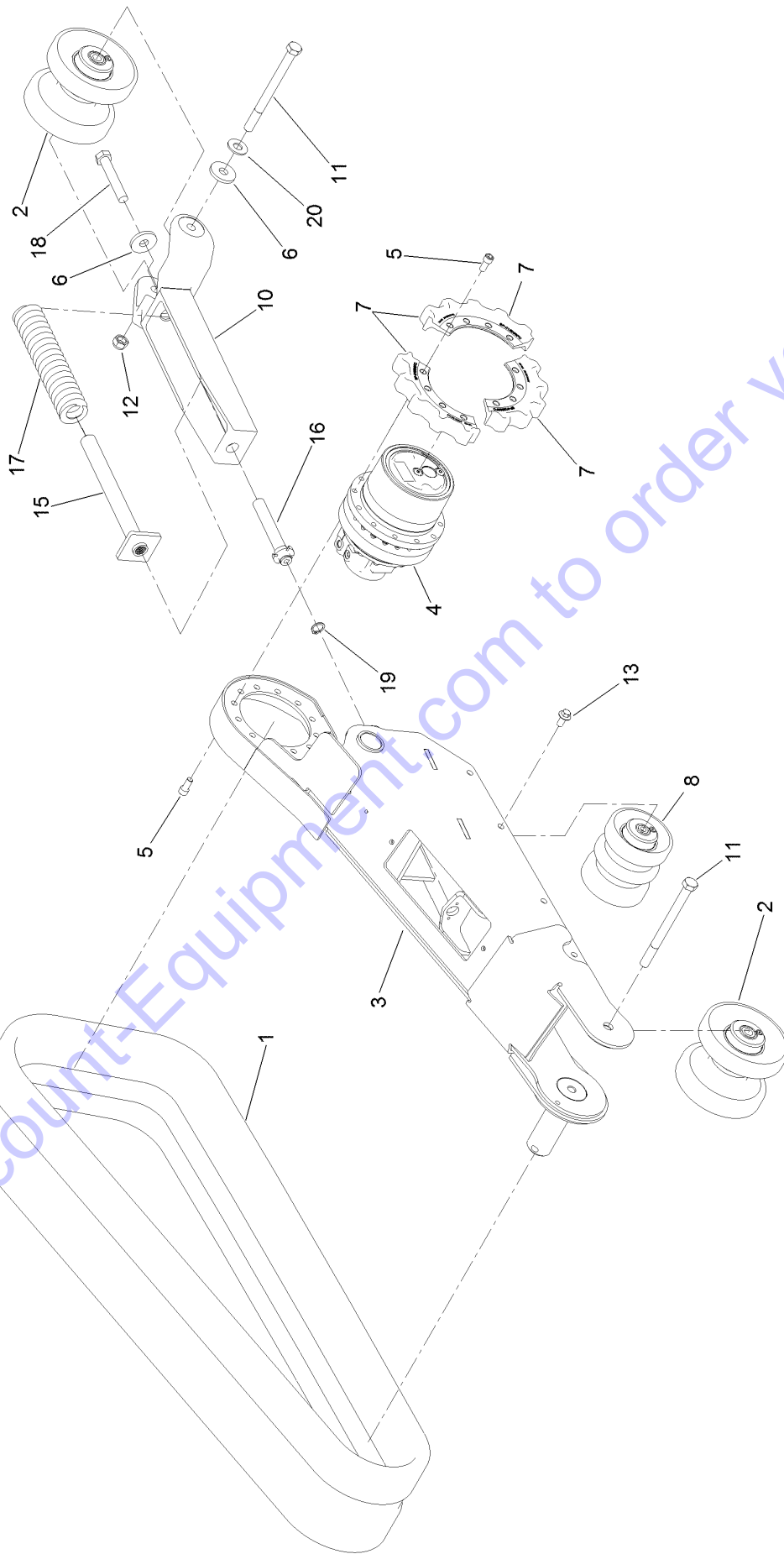
Track Mount Assembly (continued)

<i>Ref.</i>	<i>Part Number</i>	<i>Qty.</i>	<i>Description</i>	<i>Ref.</i>	<i>Part Number</i>	<i>Qty.</i>	<i>Description</i>
1		1	LH Track ASM ●	7	32128-32	2	Nut-HHF
2		1	RH Track ASM ●	8	116-3114	2	Bolt-TAP
3	137-0513-03	2	Cover	9	99-5107	2	Nut-Lock
4	3234-42	4	Screw-HHF	10	133-0287	2	Washer-Wheel
5	321-9	2	Screw-HH	11	AU426-1656	2	Screw-Cap, HH
6	98-4799	2	Spacer	12	138-2308	2	Shaft-Mount, Rear

Go to Discount-Equipment.com to order your parts

● Not serviced separately

LH Track Assembly



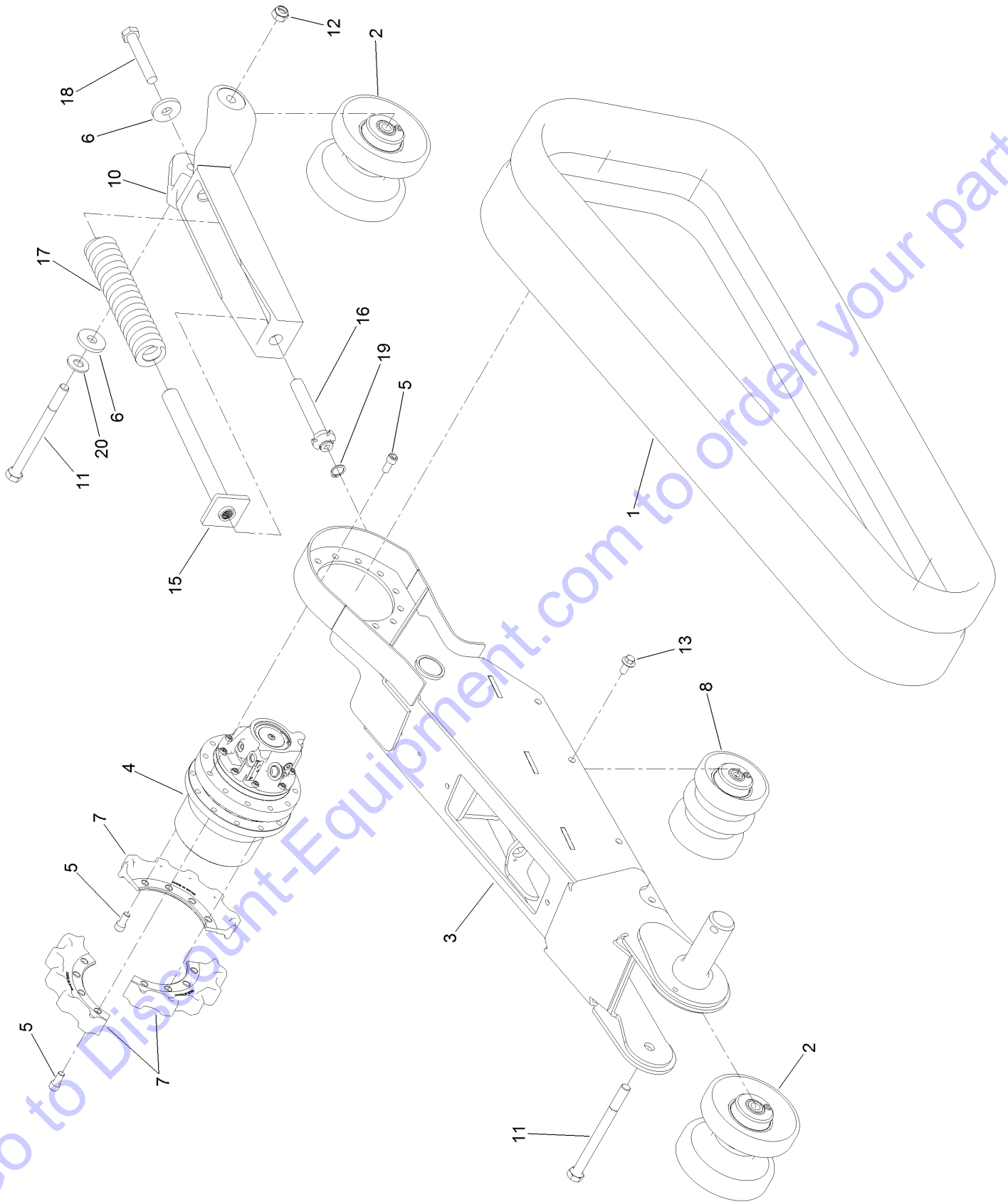
Go to Discount-Equipment.com to order your parts

LH Track Assembly (continued)

<i>Ref.</i>	<i>Part Number</i>	<i>Qty.</i>	<i>Description</i>	<i>Ref.</i>	<i>Part Number</i>	<i>Qty.</i>	<i>Description</i>
1	137-0354	1	Track	11	136-4831	2	Bolt-HH
2	137-0505	2	Front Wheel ASM	12	136-4832	1	Nut-Hex
3	138-2350	1	LH Track Mount ASM	13	138-4699	8	Screw-HHF
4	136-4751	1	Drive-Track	15	137-0543	1	Spring Catch ASM
5	114-3041	24	Screw-HSH	16	138-4669	1	Screw-Tensioner
6	133-0287	2	Washer-Wheel	17	136-4834	1	Spring-Compression
7	136-4833	3	Sprocket-Drive	18	139-4839	1	Bolt-TAP
8	137-0485	4	Road Wheel ASM	19	32151-77	1	Ring-Retaining, External
10	138-2261	1	Tensioner ASM	20	115-0722	1	Washer-Plain

Go to Discount-Equipment.com to order your parts

RH Track Assembly



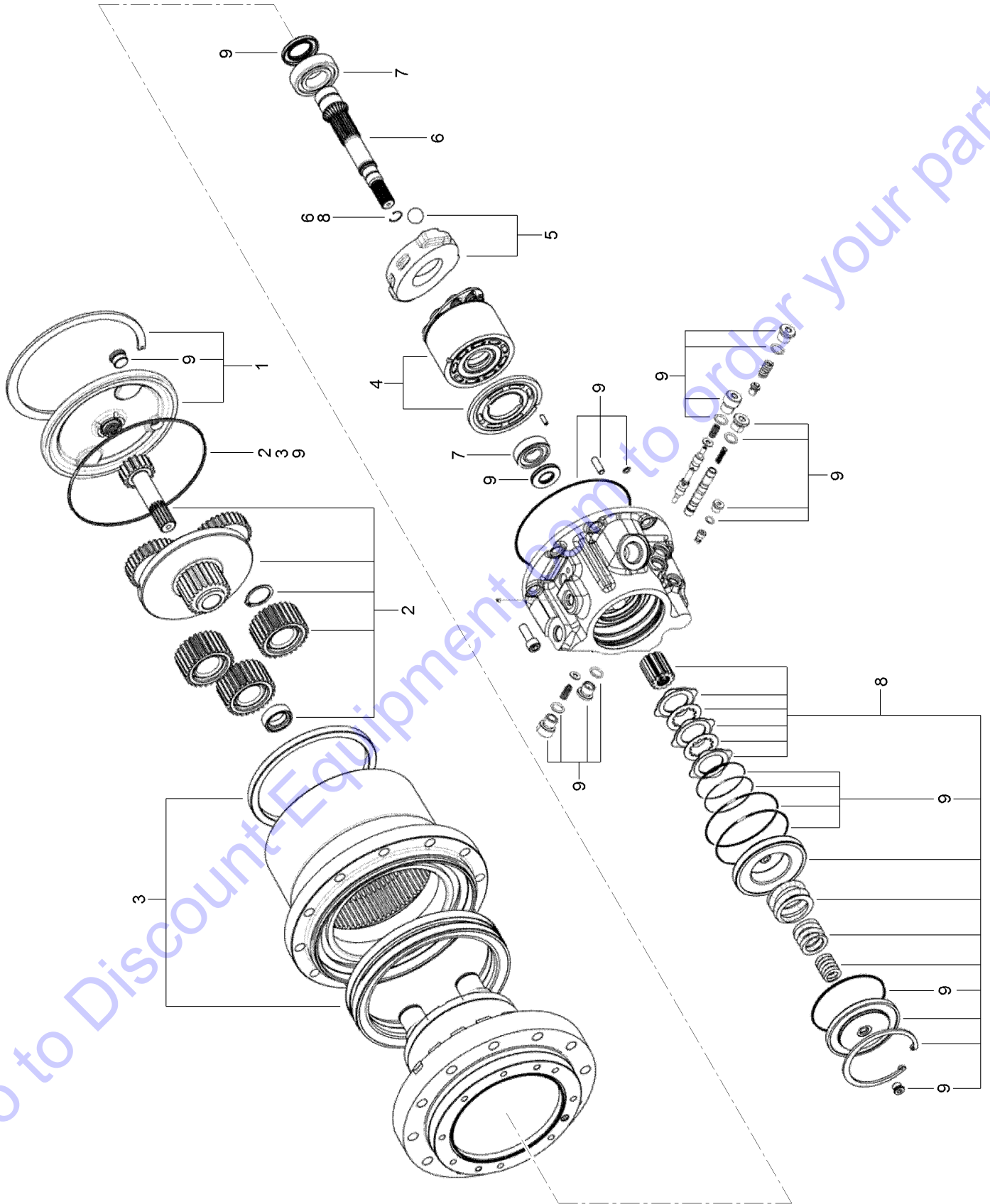
Go to Discount-Equipment.com to order your parts

RH Track Assembly (continued)

<i>Ref.</i>	<i>Part Number</i>	<i>Qty.</i>	<i>Description</i>	<i>Ref.</i>	<i>Part Number</i>	<i>Qty.</i>	<i>Description</i>
1	137-0354	1	Track	11	136-4831	2	Bolt-HH
2	137-0505	2	Front Wheel ASM	12	136-4832	1	Nut-Hex
3	138-2390	1	RH Track Frame ASM	13	138-4699	8	Screw-HHF
4	136-4751	1	Drive-Track	15	137-0543	1	Spring Catch ASM
5	114-3041	24	Screw-HSH	16	138-4669	1	Screw-Tensioner
6	133-0287	2	Washer-Wheel	17	136-4834	1	Spring-Compression
7	136-4833	3	Sprocket-Drive	18	139-4839	1	Bolt-TAP
8	137-0485	4	Road Wheel ASM	19	32151-77	1	Ring-Retaining, External
10	138-2261	1	Tensioner ASM	20	115-0722	1	Washer-Plain

Go to Discount-Equipment.com to order your parts

Track Drive Assembly No. 136-4751



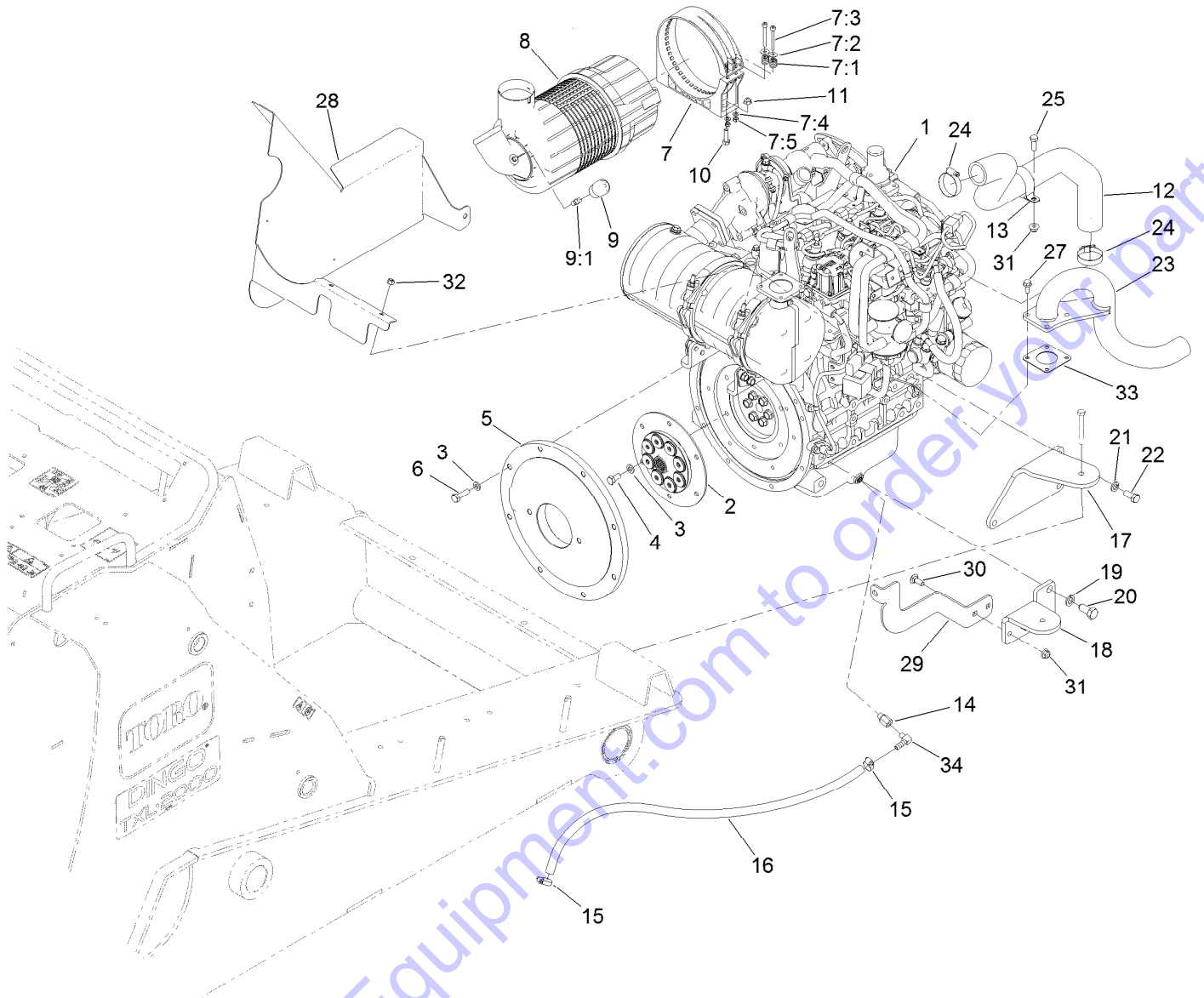
Track Drive Assembly No. 136-4751 (continued)

<i>Ref.</i>	<i>Part Number</i>	<i>Qty.</i>	<i>Description</i>
1	139-4861	1	Cover ASM
2	139-4862	1	Reduction ASM
3	139-4863	1	Seal Kit
4	139-4864	1	Cylinder Block ASM
5	139-4865	1	Swashplate Kit

<i>Ref.</i>	<i>Part Number</i>	<i>Qty.</i>	<i>Description</i>
6	139-4866	1	Motor Shaft ASM
7	139-4867	1	Bearings Kit
8	139-4868	1	Parking Brake Kit
9	139-4869	1	Seal Kit

Go to Discount-Equipment.com to order your parts

Engine and Air Cleaner Assembly

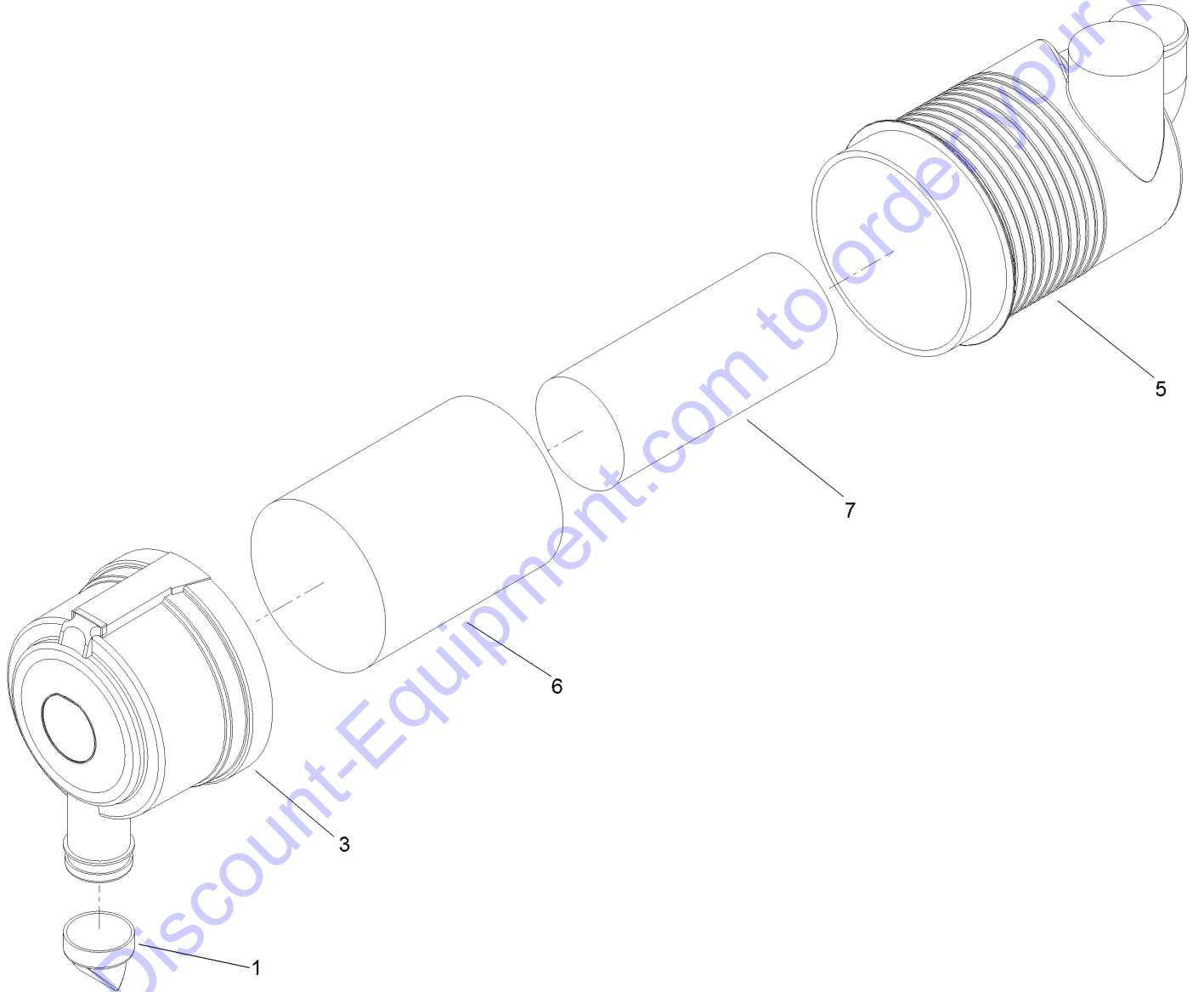


Engine and Air Cleaner Assembly (continued)

<i>Ref.</i>	<i>Part Number</i>	<i>Qty.</i>	<i>Description</i>	<i>Ref.</i>	<i>Part Number</i>	<i>Qty.</i>	<i>Description</i>
1	136-4779	1	Engine-Kubota	15	2412-36	2	Clamp-Hose
2	138-4700	1	Coupler-Spring, Flywheel	16	133-1621	1	Hose-Drain
3	107-1413	14	Washer-Hardened	17	133-6962-03	1	Mount-Engine
4	99-5130	6	Screw-HH	18	133-6964-03	1	Mount-Engine
5	132-6120-03	1	Plate-Flywheel	19	43-5950	2	Washer-Lock, Spring
6	117-5663	8	Screw-HH	20	43-3210	2	Screw-HH
7	99-5414	1	Strap-Cleaner, Air	21	48-8070	3	Washer-Lock
7:1	108-1512	2	Spring	22	AU514-842	3	Screw-HH
7:2	3256-22	2	Washer-Flat	23	133-6973	1	Pipe-Exhaust
7:3	33113-050	2	Screw-HH	24	2412-3	2	Clamp-Hose
7:4	33093-00	2	Washer-Flat	25	323-6	1	Screw-HH
7:5	33023-00	2	Nut-Lock	27	33104-020	4	Screw-HHF
8	99-5410	1	Air Cleaner ASM	28	138-2278	1	Shield-Alternator
9	104-3563	1	Indicator	29	138-2331-03	1	Bracket-Pump, RH
9:1	94-1416	1	Adapter-Indicator	30	3231-2	2	Bolt-CARR
10	322-16	2	Screw-HH	31	104-8301	3	Nut-HF, NI
11	104-8300	2	Nut-HF, NI	32	33024-00	2	Nut-Lock, NI
12	139-1172	1	Hose-Air, Cooler	33	100-9333	1	Gasket-Muffler
13	115-9469	1	Clamp-R	34	99-7230	1	Fitting-90 DEG
14	136-4867	1	Adapter-Drain				

Go to Discount-Equipment.com to order your parts

Air Cleaner Assembly No. 99-5410



Go to Discount-Equipment.com to order your parts

Air Cleaner Assembly No. 99-5410 (continued)

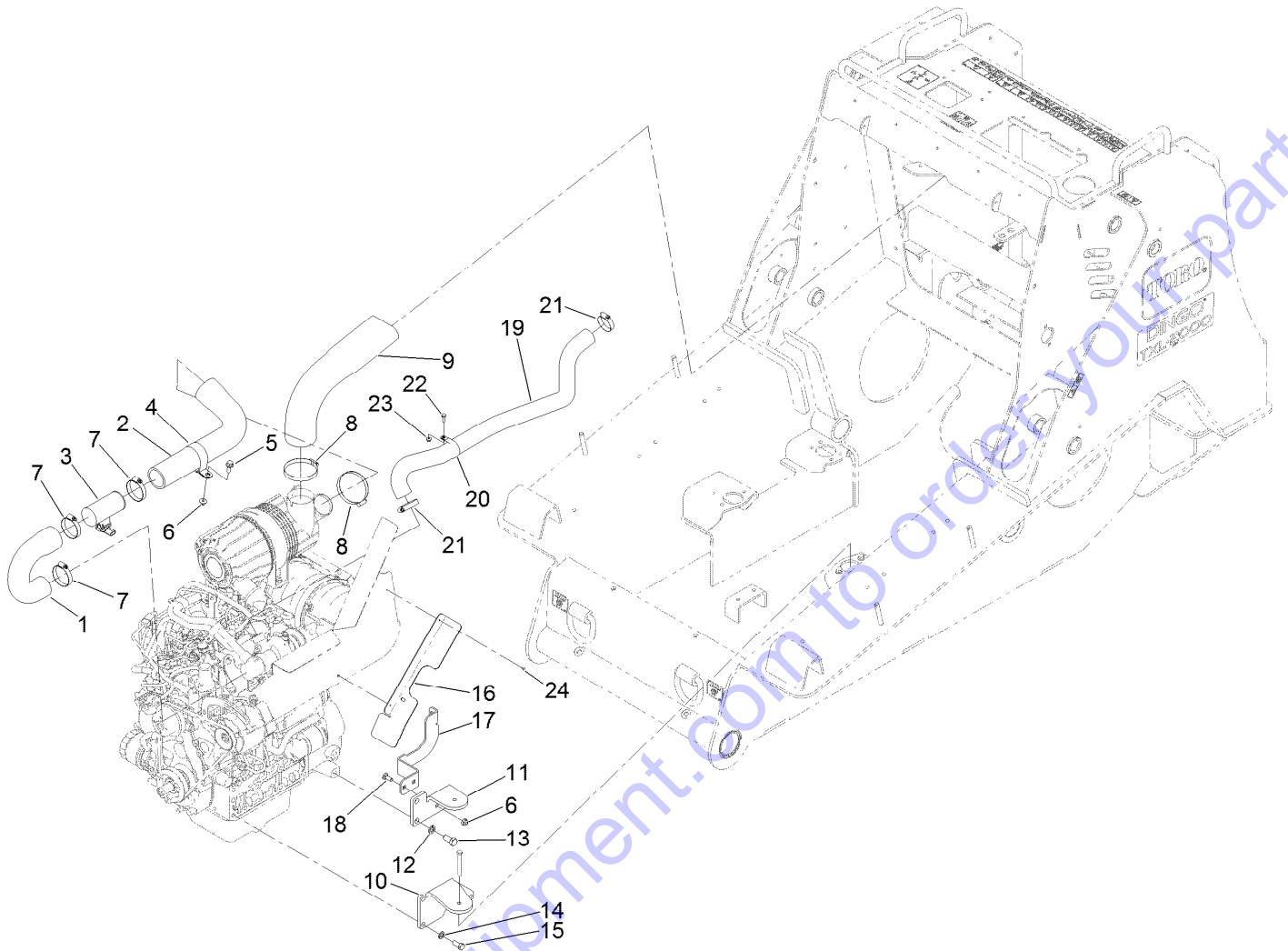
<i>Ref.</i>	<i>Part Number</i>	<i>Qty.</i>	<i>Description</i>
1	104-4258	1	Valve-Vacuator
3	104-4259	1	Cover
5		1	Body ASM ●

<i>Ref.</i>	<i>Part Number</i>	<i>Qty.</i>	<i>Description</i>
6	108-3814	1	Filter-Air
7	108-3816	1	Filter-Air

Go to Discount-Equipment.com to order your parts

● Not serviced separately

Engine Mount, Starter Shield and Air Intake Hose Assembly



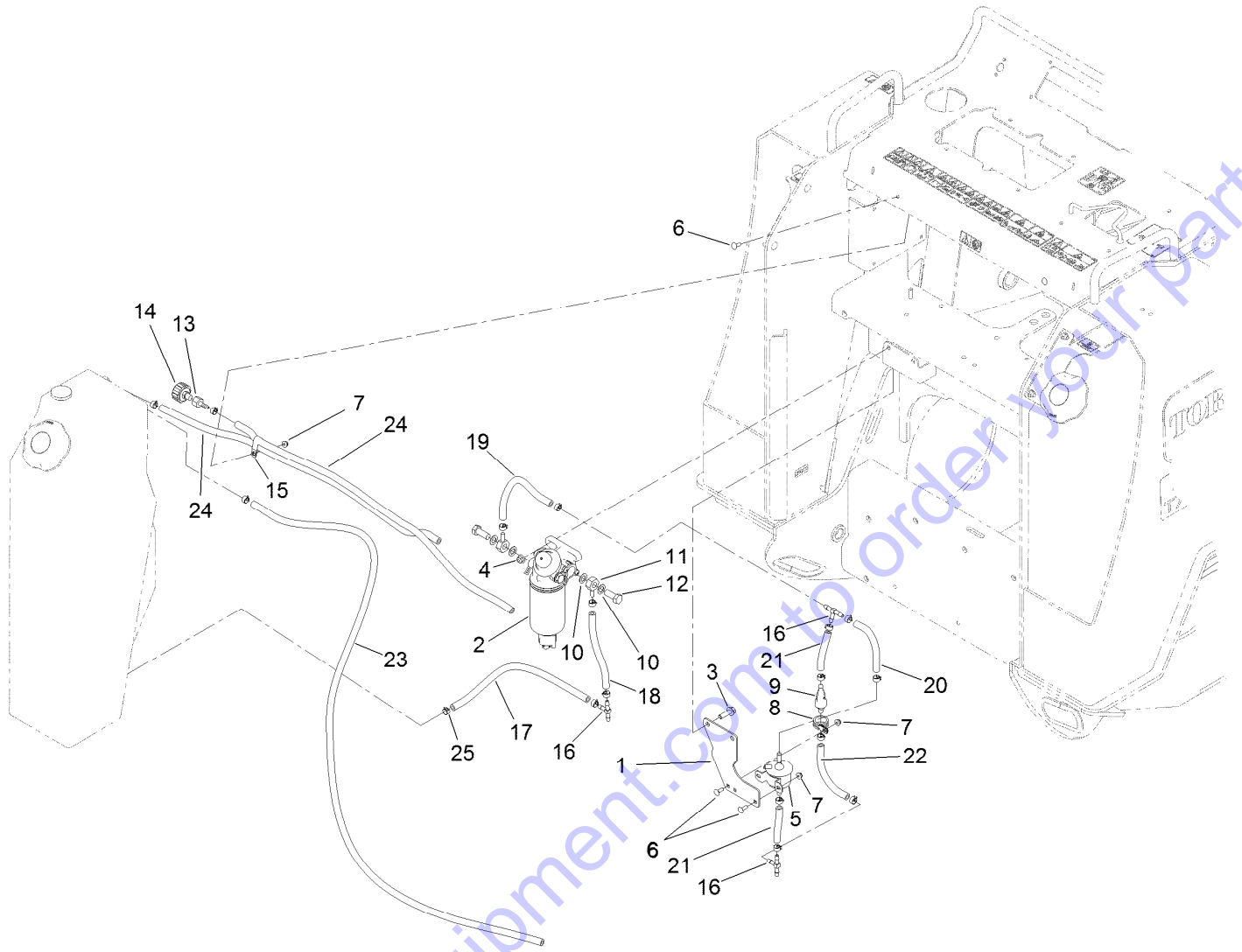
Go to Discount-Equipment.com to order your parts

Engine Mount, Starter Shield and Air Intake Hose Assembly (continued)

<i>Ref.</i>	<i>Part Number</i>	<i>Qty.</i>	<i>Description</i>	<i>Ref.</i>	<i>Part Number</i>	<i>Qty.</i>	<i>Description</i>
1	133-1622	1	Hose-Intake	13	43-3210	2	Screw-HH
2	137-0050	1	Hose-Intake, Air	14	48-8070	3	Washer-Lock
3	136-4741	1	Sensor	15	AU514-842	3	Screw-HH
4	2412-102	1	Clamp-R	16	138-2322	1	Shield-Starter
5	3234-11	1	Screw-HHF	17	138-2332-03	1	Bracket-Pump, LH
6	104-8301	3	Nut-HF, NI	18	3231-2	2	Bolt-CARR
7	2412-42	3	Clamp-Hose	19	137-0140	1	Hose-Air, Cooler
8	2412-110	2	Clamp-Band/Screw	20	2412-148	1	Clamp-R
9	133-1689	1	Hose-Intake	21	2412-3	2	Clamp-Hose
10	133-6967-03	1	Mount-Engine	22	321-4	1	Screw-HH
11	133-6968-03	1	Mount-Engine	23	104-7201	1	Nut-HF
12	43-5950	2	Washer-Lock, Spring	24	3290-271	2	Rivet-Pop

Go to Discount-Equipment.com to order your parts

Fuel Pump and Water Seperator Assembly



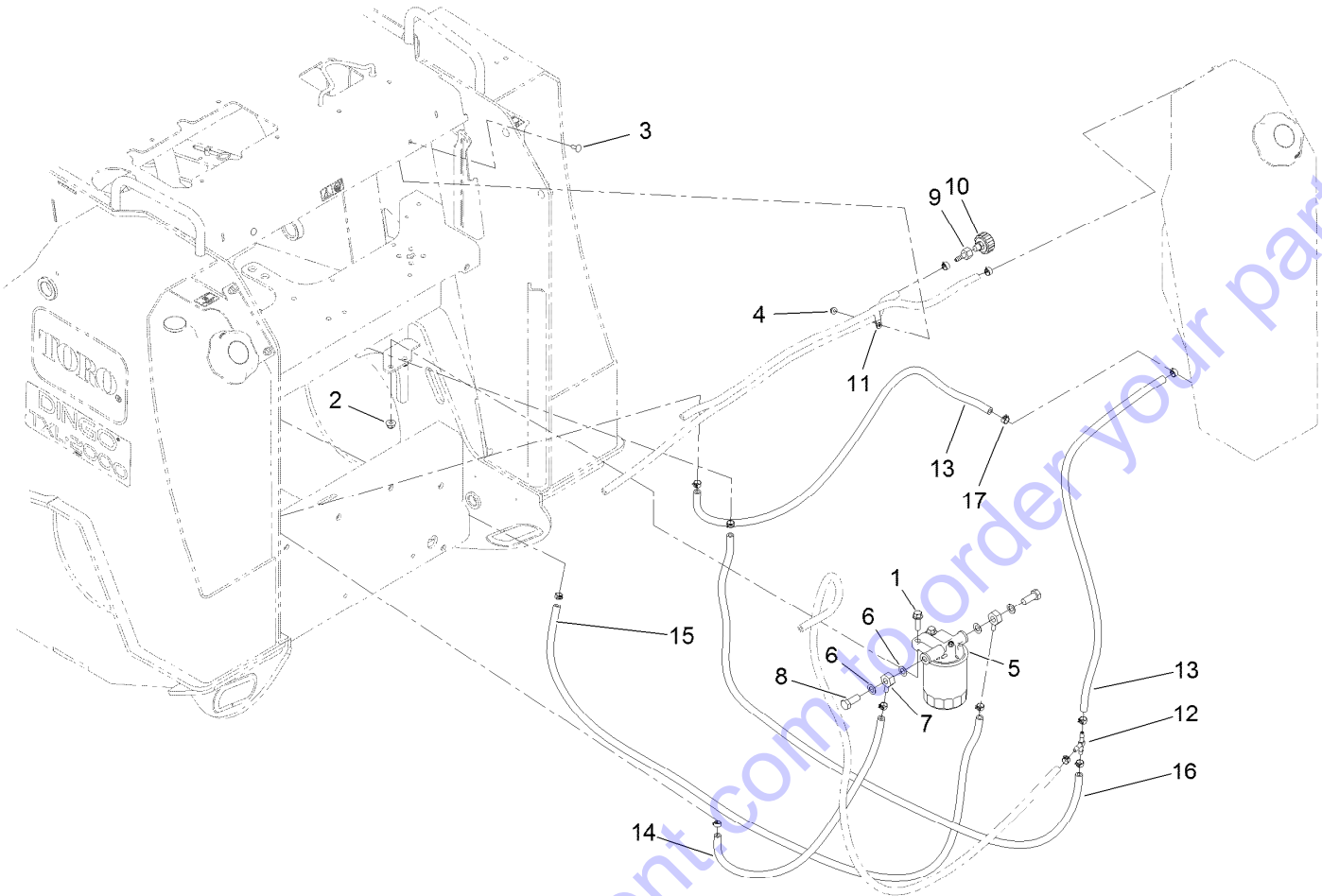
Go to Discount-Equipment.com to order your parts

Fuel Pump and Water Seperator Assembly (continued)

<i>Ref.</i>	<i>Part Number</i>	<i>Qty.</i>	<i>Description</i>	<i>Ref.</i>	<i>Part Number</i>	<i>Qty.</i>	<i>Description</i>
1	137-0373-03	1	Bracket-Fuel Pump	14	68-6150	1	Breather
2	136-4734	1	Filter-Seperator, Water	15	119-8153	1	Clamp-R, Double Tube
3	3234-24	2	Screw-HHF	16	99-5005	3	Fitting-Tee, Barbed
4	104-8301	2	Nut-HF, NI	17	110-4113	1	Hose-Fuel
5	136-4736	1	Pump-Fuel	18	110-4124	1	Hose-Fuel
6	3229-1	4	Bolt-CARR	19	136-6098	1	Hose-Fuel
7	104-7201	4	Nut-HF	20	109-0310	1	Hose-Fuel
8	132-7590	1	R-Clamp	21	136-6097	2	Hose-Fuel
9	136-4735	1	Valve-Bypass	22	108-3280	1	Hose-Fuel
10	137-0067	4	O-Ring	23	138-4715	1	Hose-Fuel
11	137-0065	2	Adapter-Fuel	24	136-6096	2	Hose-Fuel
12	137-0066	2	Bolt-Joint	25	92-2379	20	Clamp-Hose
13	354-95	1	Fitting-Straight				

Go to Discount-Equipment.com to order your parts

Fuel Filter and Hose Assembly

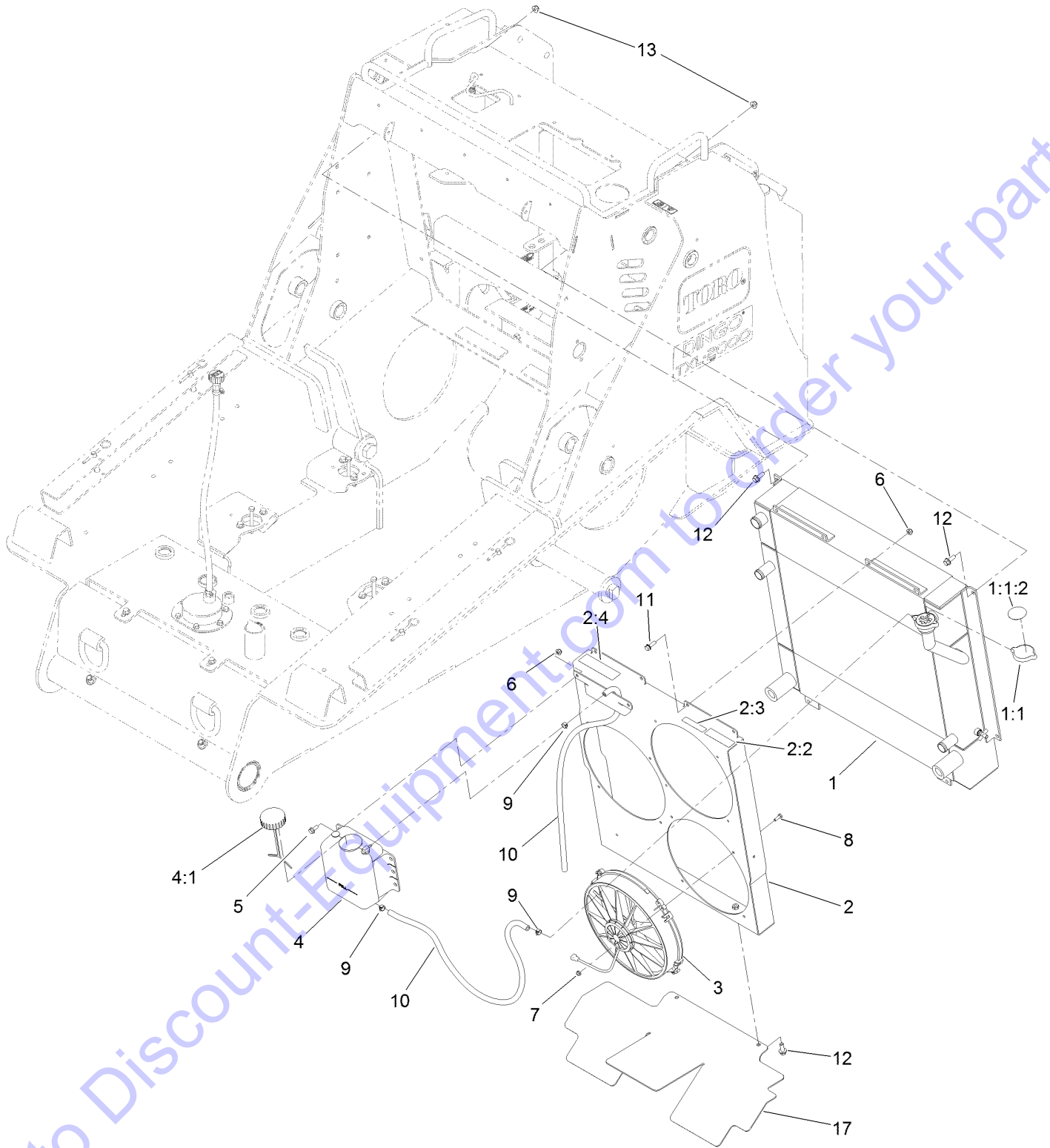


Fuel Filter and Hose Assembly (continued)

<i>Ref.</i>	<i>Part Number</i>	<i>Qty.</i>	<i>Description</i>	<i>Ref.</i>	<i>Part Number</i>	<i>Qty.</i>	<i>Description</i>
1	3234-24	2	Screw-HHF	10	68-6150	1	Breather
2	104-8301	2	Nut-HF, NI	11	119-8153	1	Clamp-R, Double Tube
3	3229-1	1	Bolt-CARR	12	99-5005	1	Fitting-Tee, Barbed
4	104-7201	1	Nut-HF	13	136-6099	2	Hose-Fuel
5	136-4733	1	Filter-Fuel	14	114-8206	1	Hose-Fuel
6	137-0067	4	O-Ring	15	132-1330	1	Hose-Fuel
7	137-0065	2	Adapter-Fuel	16	138-4714	1	Hose-Fuel
8	137-0066	2	Bolt-Joint	17	92-2379	10	Clamp-Hose
9	354-95	1	Fitting-Straight				

Go to Discount-Equipment.com to order your parts

Radiator and Fan Assembly

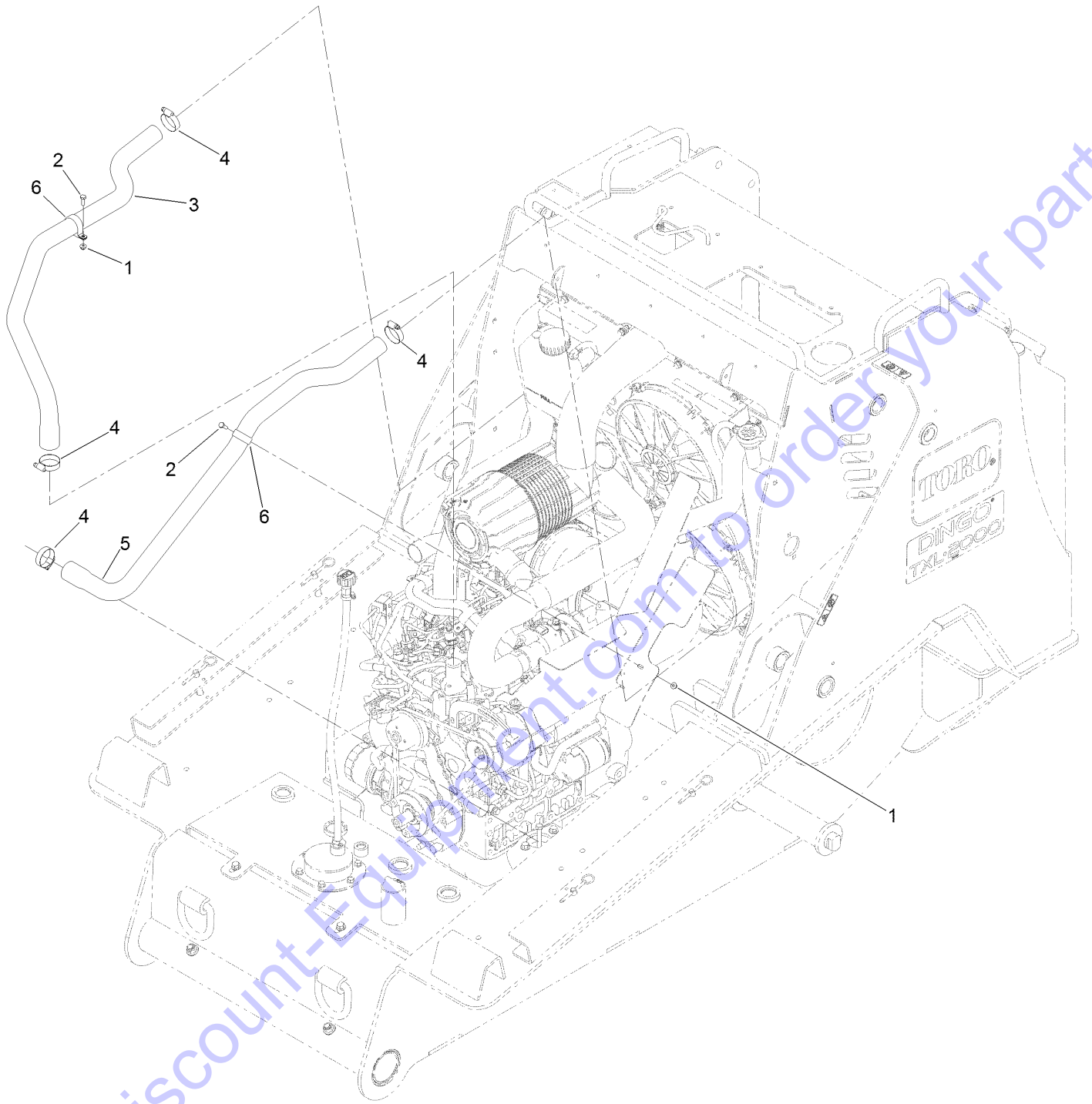


Radiator and Fan Assembly (continued)

<i>Ref.</i>	<i>Part Number</i>	<i>Qty.</i>	<i>Description</i>	<i>Ref.</i>	<i>Part Number</i>	<i>Qty.</i>	<i>Description</i>
1	136-4705	1	Radiator/Cooler ASM	5	3234-47	2	Screw-HHF
1:1	119-1430	1	Radiator Cap ASM	6	104-8300	8	Nut-HF, NI
1:1:2	117-3276	1	Decal-Danger	7	104-7201	12	Nut-HF
2	138-4727	1	Cooler Shroud ASM	8	321-4	12	Screw-HH
2:2	115-4865	1	Decal-Fill, Radiator	9	92-2379	3	Clamp-Hose
2:3	93-6681	1	Decal-Warning, Fan	10	136-6096	2	Hose-Fuel
2:4	93-7814	1	Decal-Danger	11	3234-29	6	Screw-HHF
3	1-633831	3	Fan	12	3234-42	6	Screw-HHF
4	120-5571	1	Coolant Reservoir ASM	13	104-8301	4	Nut-HF, NI
4:1	87-7050	1	Cap-Reservoir	17	138-2336	1	Baffle-Rubber

Go to Discount-Equipment.com to order your parts

Radiator Hose Assembly

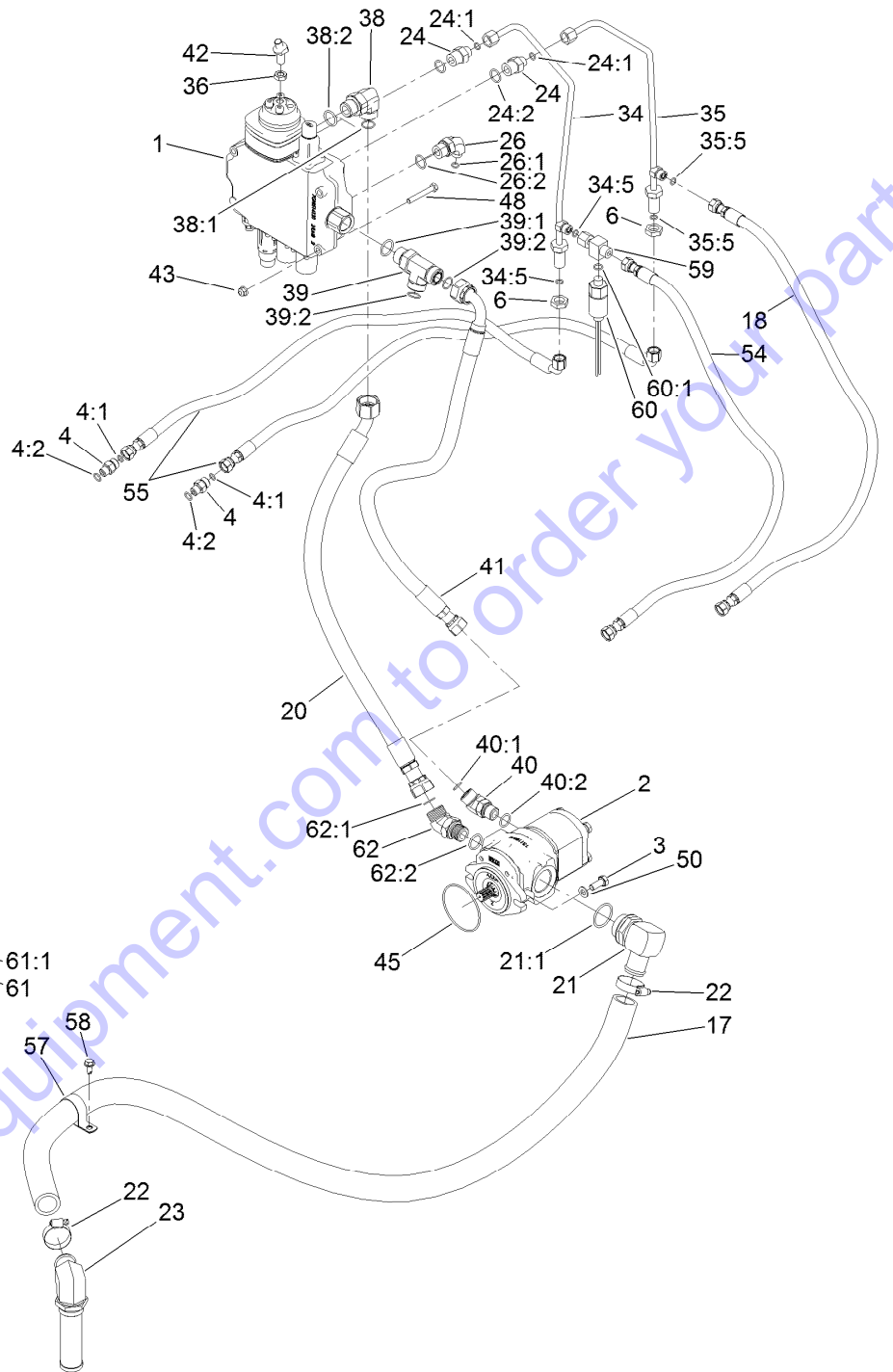


Radiator Hose Assembly (continued)

<i>Ref.</i>	<i>Part Number</i>	<i>Qty.</i>	<i>Description</i>	<i>Ref.</i>	<i>Part Number</i>	<i>Qty.</i>	<i>Description</i>
1	104-7201	2	Nut-HF	4	2412-3	4	Clamp-Hose
2	321-4	2	Screw-HH	5	138-4744	1	Hose-Radiator, Lower
3	133-1691	1	Hose-Radiator, Upper	6	137-0147	2	Clamp-R

Go to Discount-Equipment.com to order your parts

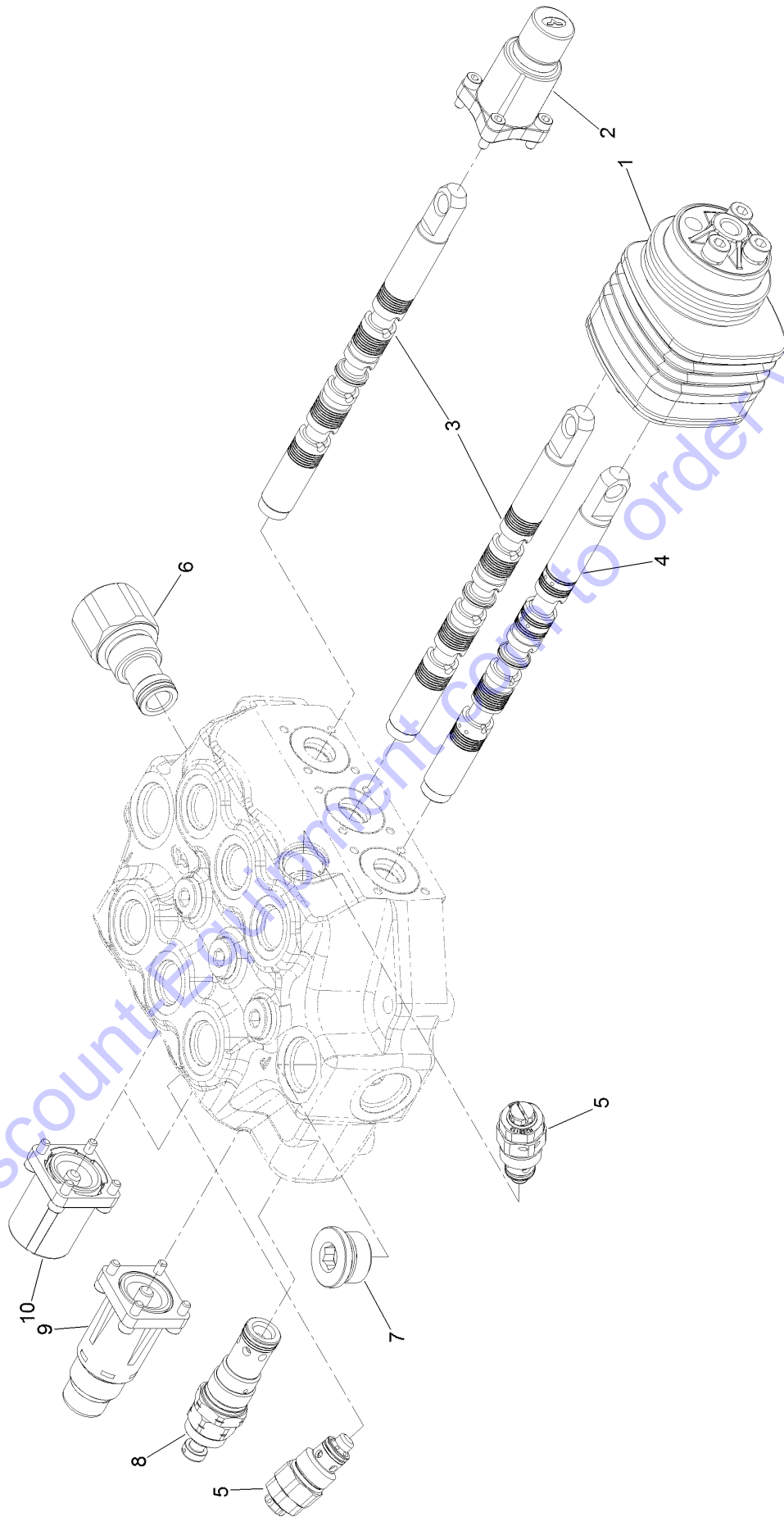
Lift Valve and Pump Assembly



Lift Valve and Pump Assembly (continued)

<i>Ref.</i>	<i>Part Number</i>	<i>Qty.</i>	<i>Description</i>	<i>Ref.</i>	<i>Part Number</i>	<i>Qty.</i>	<i>Description</i>
1	136-4783	1	Lift Valve ASM	36	51-2070	1	Nut
2	133-0281	1	Gear Pump ASM	38	340-142	2	Fitting-Elbow, 90 DEG
3	33115-025	2	Screw-HH	38:1	237-58	1	O-Ring
4	340-2	6	Fitting-Straight	38:2	237-81	1	O-Ring
4:1	237-22	1	O-Ring	39	340-148	1	Fitting-Tee
4:2	237-42	1	O-Ring	39:1	237-81	1	O-Ring
5	340-68	2	Fitting-Tee, Bulkhead	39:2	237-58	2	O-Ring
5:1	237-22	3	O-Ring	40	340-14	1	Fitting-HYD, 45 DEG
6	340-70	4	Nut-Lock	40:1	237-65	1	O-Ring
11	139-1150	1	HYD Hose ASM	40:2	237-80	1	O-Ring
12	139-1151	1	HYD Hose ASM	41	138-0233	1	HYD Hose ASM
17	133-9377	1	Hose	42	138-2343	1	Shaft-Control
18	133-9372	1	HYD Hose ASM	43	104-8300	3	Nut-HF, NI
19	139-1152	2	HYD Hose ASM	45	237-161	1	O-Ring
20	133-9394	1	HYD Hose ASM	48	322-11	3	Screw-HH
21	92-7526	1	Fitting-HYD 90 Spcl	50	33095-00	2	Washer-Flat
21:1	237-101	1	O-Ring	54	138-4702	1	HYD Hose ASM
22	2412-111	2	Clamp	55	138-4701	2	HYD Hose ASM
23	130-7582	1	Strainer-Suction	57	2412-147	1	Clamp-R
24	340-141	3	Fitting-STR	58	32104-32	1	Screw-HWH
24:1	237-22	1	O-Ring	59	95-5658	1	Fitting-HYD, Special
24:2	237-80	1	O-Ring	60	136-4875	1	Switch-Pressure
26	340-130	1	Fitting-Elbow 90	60:1	237-42	1	O-Ring
26:1	237-22	1	O-Ring	61	340-87	2	Fitting-Elbow, 45 DEG
26:2	237-80	1	O-Ring	61:1	237-22	1	O-Ring
34	136-6080	1	HYD Tube ASM	61:2	237-42	1	O-Ring
34:5	237-22	2	O-Ring	62	100-5530	1	Fitting-45 DEG
35	136-6081	1	HYD Tube ASM	62:1	237-58	1	O-Ring
35:5	237-22	2	O-Ring	62:2	237-81	1	O-Ring

Lift Valve Assembly No. 136-4783



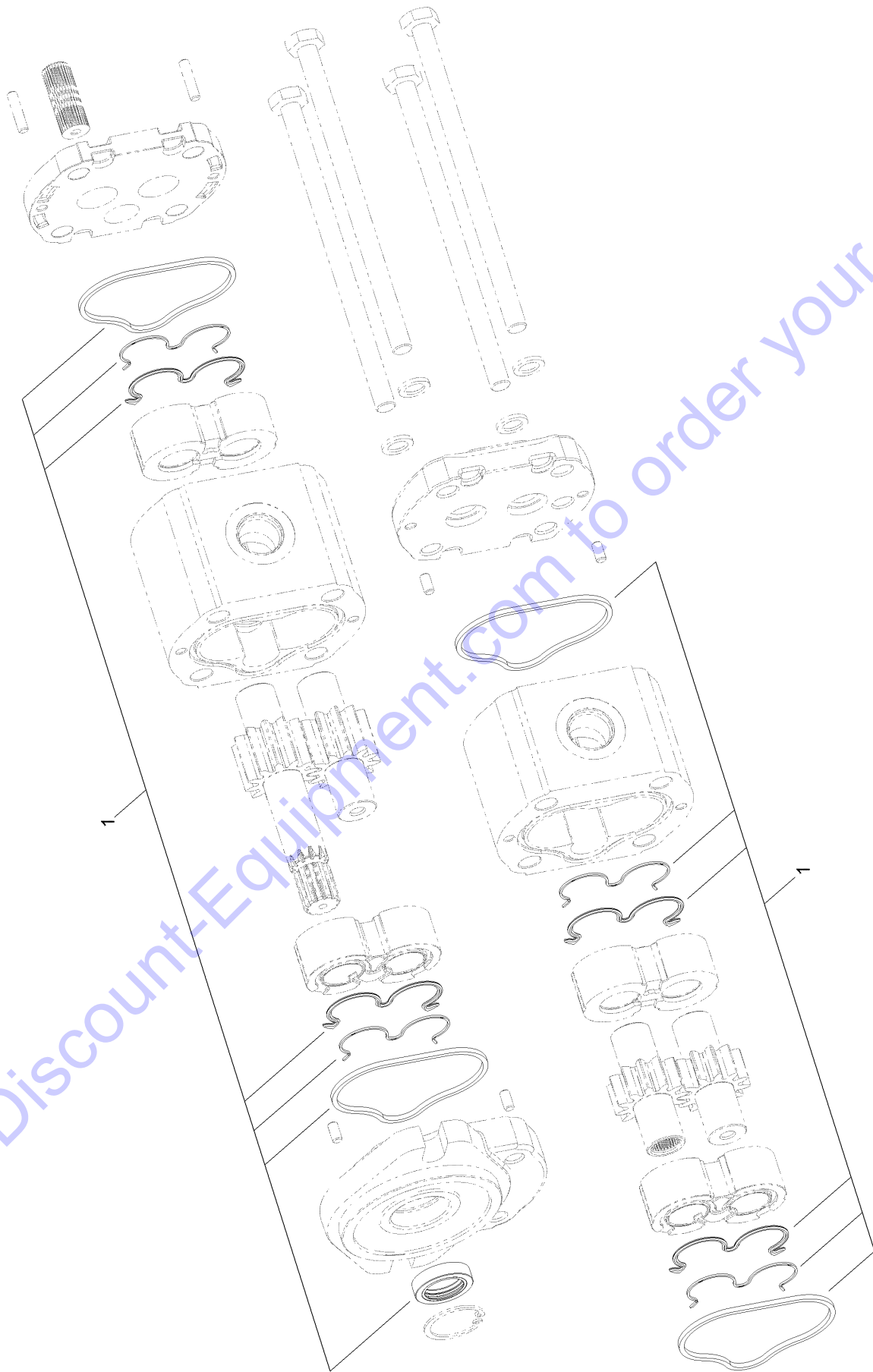
Lift Valve Assembly No. 136-4783 (continued)

<i>Ref.</i>	<i>Part Number</i>	<i>Qty.</i>	<i>Description</i>
1	139-1219	1	Cover Kit
2	139-1220	1	End Cap Kit
3	139-1221	2	Valve-Spool
4	139-1222	1	Valve-Spool
5	139-1223	2	Cartridge-Relief

<i>Ref.</i>	<i>Part Number</i>	<i>Qty.</i>	<i>Description</i>
6	139-1224	1	Joint-SAE12
7	139-1225	1	Plug-SAE12
8	139-1226	1	Valve Kit
9	139-1227	1	Command Kit
10	139-1228	1	Control Kit

Go to Discount-Equipment.com to order your parts

Gear Pump Assembly No. 133-0281



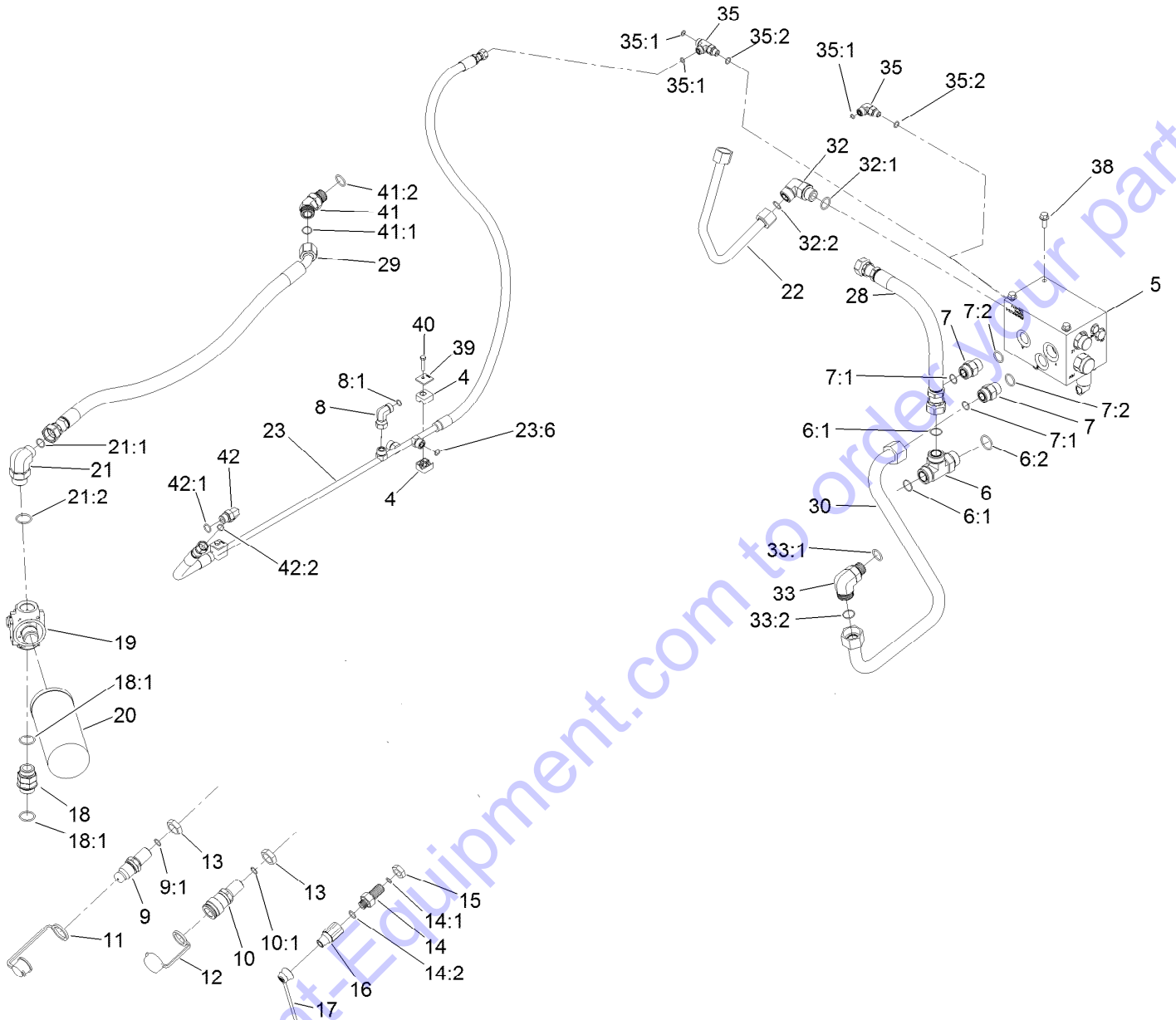
Go to Discount-Equipment.com to order your parts

Gear Pump Assembly No. 133-0281 (continued)

<i>Ref.</i>	<i>Part Number</i>	<i>Qty.</i>	<i>Description</i>
1	139-1211	1	Seal Kit

Go to Discount-Equipment.com to order your parts

Auxiliary Hydraulic Assembly



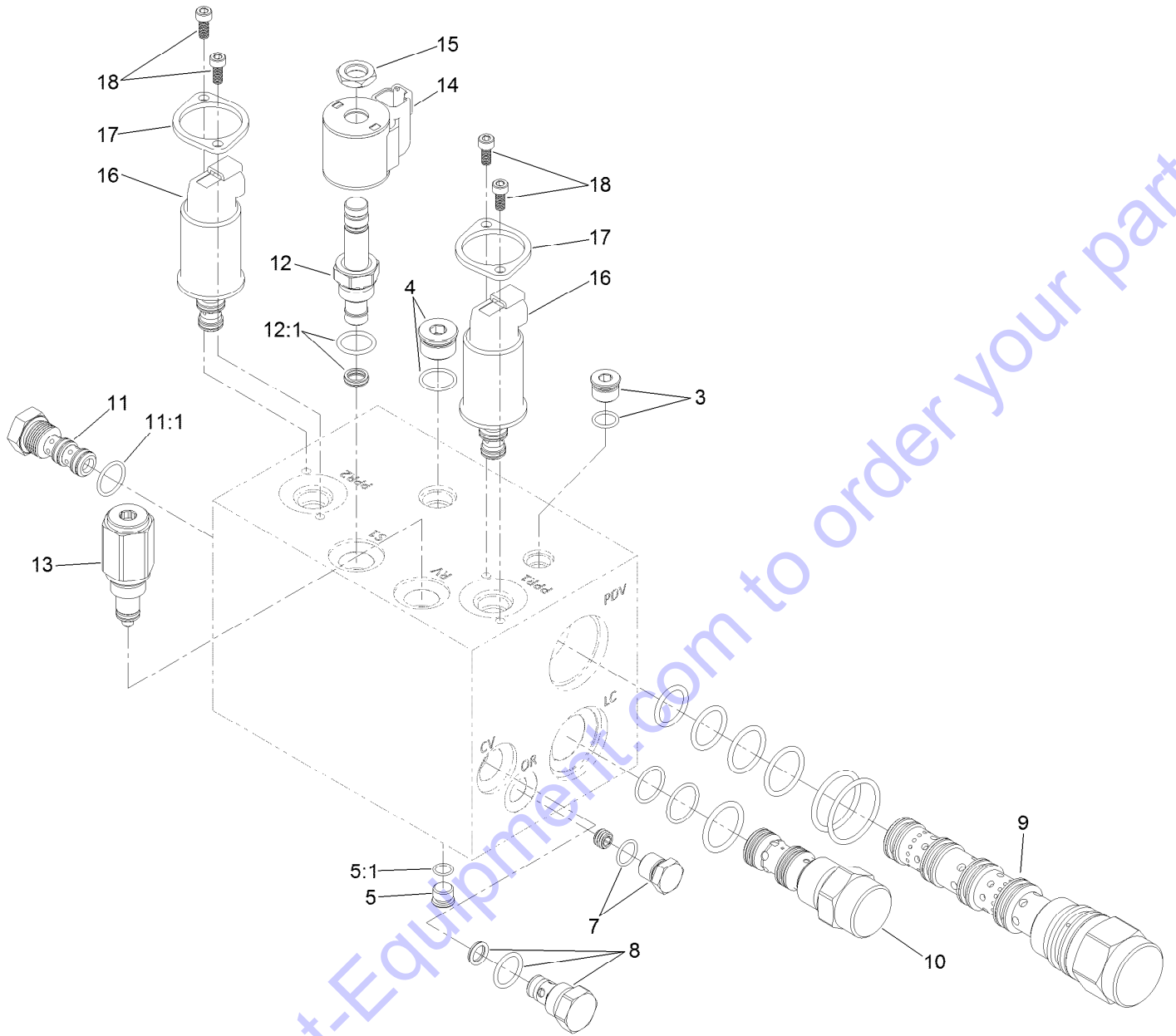
Go to Discount-Equipment.com to order your parts

Auxiliary Hydraulic Assembly (continued)

<i>Ref.</i>	<i>Part Number</i>	<i>Qty.</i>	<i>Description</i>	<i>Ref.</i>	<i>Part Number</i>	<i>Qty.</i>	<i>Description</i>
4	138-4696	2	Clamp-Tube	21	340-15	1	Fitting-Elbow 90
5	136-4872	1	Aux Manifold ASM	21:1	237-58	1	O-Ring
6	104-3795	1	Fitting-Tee	21:2	237-146	1	O-Ring
6:1	340-65	2	O-Ring	22	137-0124	1	HYD Tube ASM
6:2	237-146	1	O-Ring	23	137-0125	1	HYD Tube ASM
7	340-9	2	Fitting-STR	23:6	237-30	3	O-Ring
7:1	237-58	1	O-Ring	28	133-9401	1	HYD Hose ASM
7:2	237-81	1	O-Ring	29	133-9391	1	HYD Hose ASM
8	94-6031	1	Elbow-90	30	136-6079	1	Hydraulic Tube ASM
8:1	237-30	1	O-Ring	32	340-142	1	Fitting-Elbow, 90 DEG
9	105-8395	1	Bulkhead Nipple ASM	32:1	237-58	1	O-Ring
9:1	237-65	1	O-Ring	32:2	237-81	1	O-Ring
9:2	100-6120	1	Seal Kit ●	33	104-3796	1	Fitting-Elbow 90
10	105-8394	1	Bulkhead Coupler ASM	33:1	237-81	1	O-Ring
10:1	237-65	1	O-Ring	33:2	340-65	1	O-Ring
11	100-8815	1	Cap-Dust, Nipple	35	340-77	1	Fitting-Elbow, 90 DEG
12	100-8816	1	Cap-Dust, Coupler	35:1	237-22	1	O-Ring
13	340-74	2	Nut-Lock, Bulkhead	35:2	237-42	1	O-Ring
14	98-9907	1	Union-Bulkhead	38	3234-11	3	Screw-HHF
14:1	237-30	1	O-Ring	39	137-0128	2	Plate-Clamp, Tube
14:2	237-79	1	O-Ring	40	321-8	2	Screw-HH
15	340-127	1	Nut-Bulkhead	41	100-5530	1	Fitting-45 DEG
16	131-6057	1	Fitting-Quick Coupling	41:1	237-58	1	O-Ring
17	131-6069	1	Cap-Dust, Nipple	41:2	237-81	1	O-Ring
18	133-9400	1	Fitting-Straight	42	340-98	1	Fitting-Elbow, 90 DEG
18:1	237-146	2	O-Ring	42:1	237-79	1	O-Ring
19	121-1577	1	Head-Filter	42:2	237-30	1	O-Ring
20	94-2621	1	Element-Filter				

● Not illustrated

Auxiliary Manifold Assembly No. 136-4872



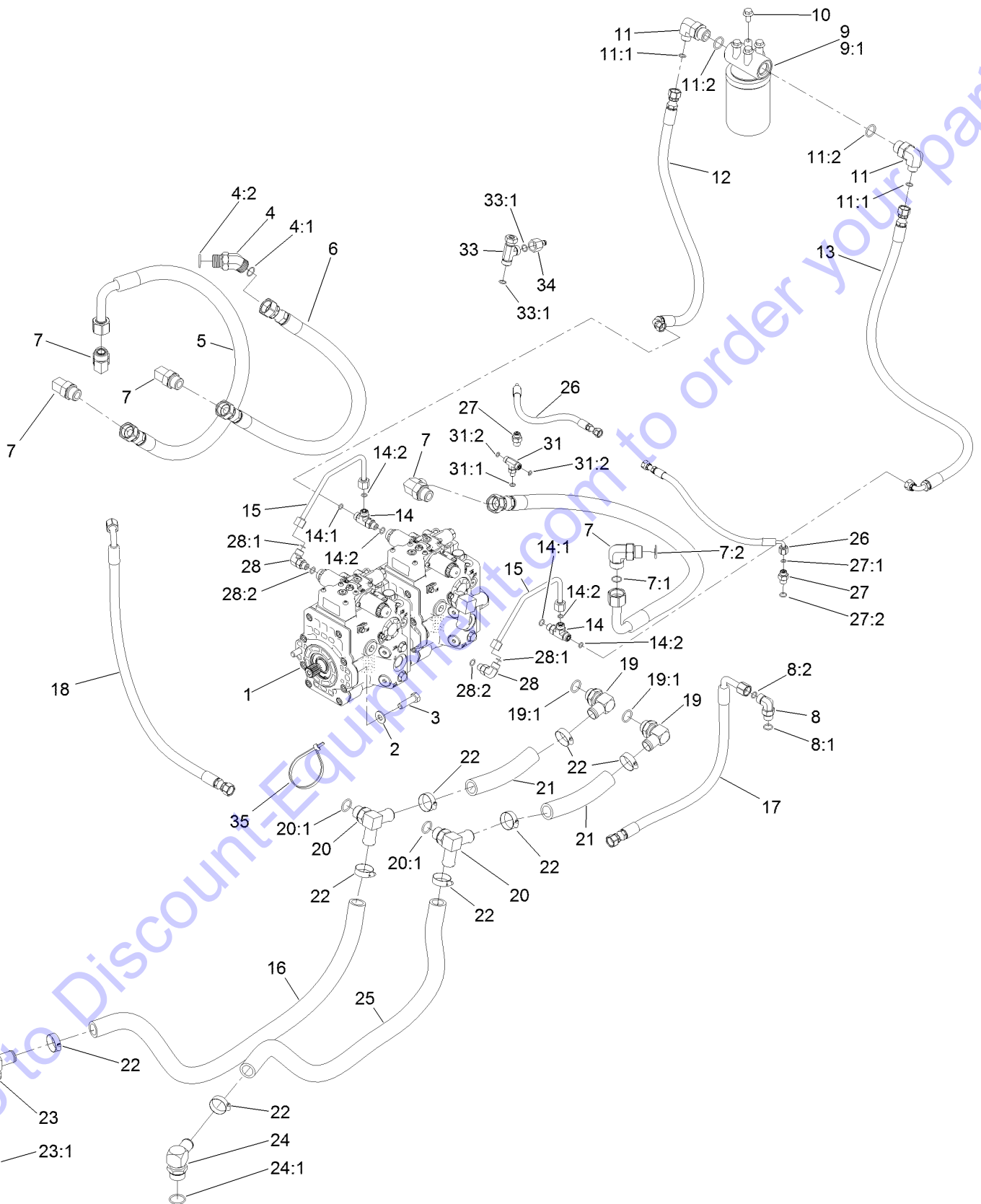
Go to Discount-Equipment.com to order your parts

Auxiliary Manifold Assembly No. 136-4872 (continued)

<i>Ref.</i>	<i>Part Number</i>	<i>Qty.</i>	<i>Description</i>	<i>Ref.</i>	<i>Part Number</i>	<i>Qty.</i>	<i>Description</i>
3	112-9213	1	Plug	11:1	110-8773	1	Seal Kit
4	106-1027	1	Plug	12	120-6562	1	Valve-Solenoid
5	353-990	1	Plug ASM	12:1	105-9156	1	Seal Kit
5:1	237-78	1	O-Ring	13	139-1217	1	Valve-Relief
7	353-509	1	Plug	14	112-0197	1	E Coil-12V DC
8	139-1213	1	Valve-Check	15	110-2634	1	Nut-Coil
9	139-1214	1	Valve-Proportional, Directional	16	139-1218	2	Valve-Prop Press Reducing/Relieving
10	139-1215	1	Element-Directional	17	138-3825	2	Plate-Mounting, Standard
11	131-6506	1	Shuttle-Load	18	138-3827	4	Screw

Go to Discount-Equipment.com to order your parts

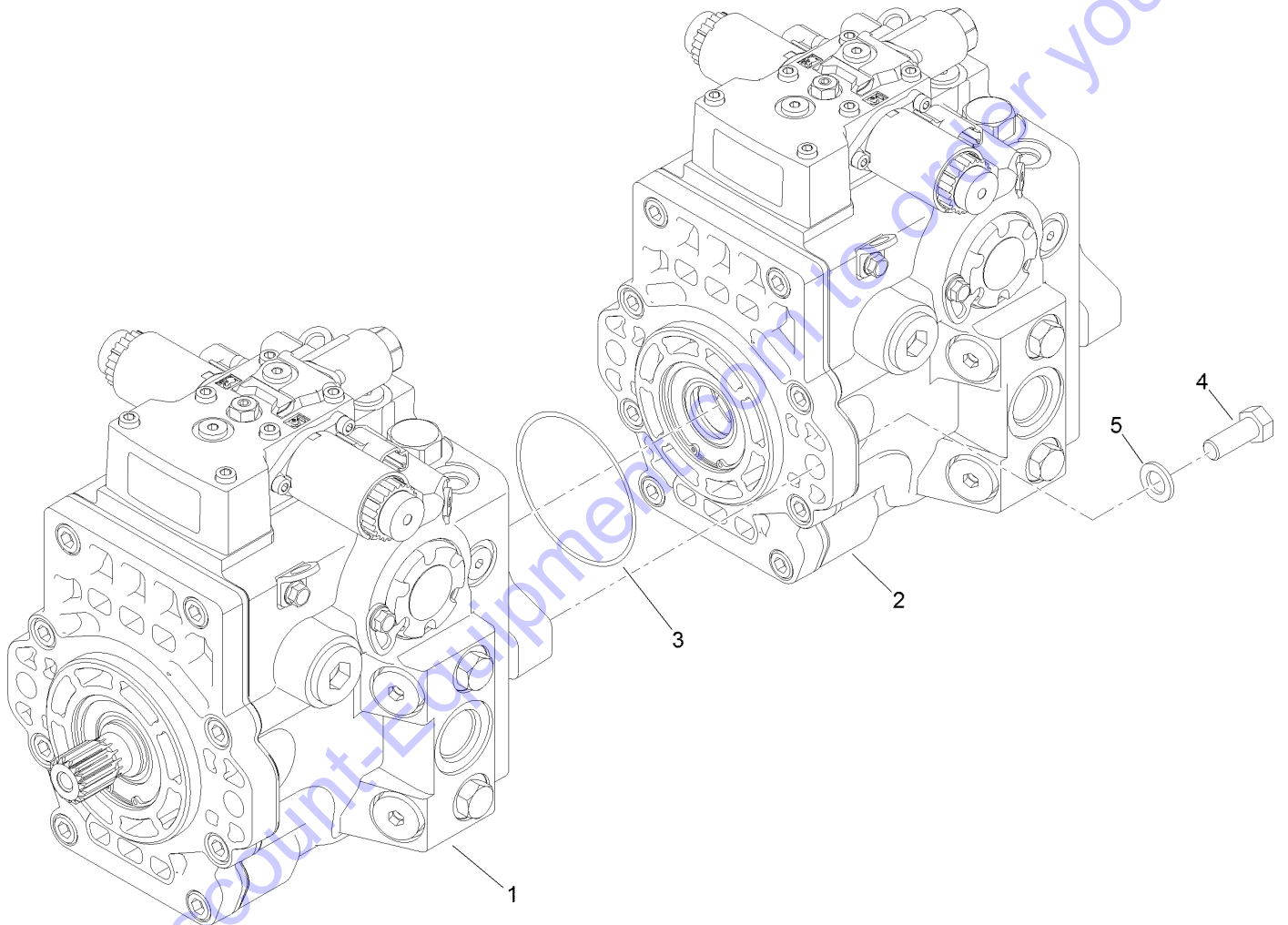
Tandem Pump Assembly



Tandem Pump Assembly (continued)

<i>Ref.</i>	<i>Part Number</i>	<i>Qty.</i>	<i>Description</i>	<i>Ref.</i>	<i>Part Number</i>	<i>Qty.</i>	<i>Description</i>
1	132-8497	1	HYD Pump ASM	17	133-9379	1	HYD Hose ASM
2	87-7270	2	Washer-Thrust	18	133-9381	1	HYD Hose ASM
3	121-1524	2	Screw-HH	19	100-4202	2	Fitting-90
4	100-5530	2	Fitting-45 DEG	19:1	237-81	1	O-Ring
4:1	237-58	1	O-Ring	20	AU375462A1	2	Connector
4:2	237-81	1	O-Ring	20:1	237-81	1	O-Ring
5	133-9374	2	HYD Hose ASM	21	137-0078	2	Hose
6	133-9373	2	HYD Hose ASM	22	2412-34	8	Clamp-Hose
7	340-142	6	Fitting-Elbow, 90 DEG	23	105-0204	1	Strainer Fitting ASM
7:1	237-58	1	O-Ring	23:1	237-146	1	O-Ring
7:2	237-81	1	O-Ring	24	23-8910	1	Stem-Barb-90
8	340-98	2	Fitting-Elbow, 90 DEG	24:1	237-146	1	O-Ring
8:1	237-79	1	O-Ring	25	133-9399	1	Hose
8:2	237-30	1	O-Ring	26	133-9378	2	HYD Hose ASM
9	93-2242	1	Oil Filter ASM	27	340-1	2	Fitting-Straight
9:1	75-1310	1	Filter-HYD	27:1	237-21	1	O-Ring
10	33105-020	4	Screw-HHF	27:2	237-42	1	O-Ring
11	340-131	2	Fitting-HYD, 90 DEG	28	340-77	2	Fitting-Elbow, 90 DEG
11:1	237-30	1	O-Ring	28:1	237-22	1	O-Ring
11:2	237-81	1	O-Ring	28:2	237-42	1	O-Ring
12	139-1184	1	HYD Hose ASM	31	340-125	1	Fitting-Tee
13	133-9385	1	HYD Hose ASM	31:1	237-21	2	O-Ring
14	340-86	2	Fitting-Tee	31:2	237-78	1	O-Ring
14:1	237-22	2	O-Ring	33	340-104	1	Fitting-HYD, Tee
14:2	237-42	1	O-Ring	33:1	237-30	2	O-Ring
15	133-9389	2	HYD Tube ASM	34	100-5616	1	Fitting
16	133-9392	1	Hose	35	3334-945	1	Tie-Cable

Tandem Hydraulic Pump Assembly No. 132-8497



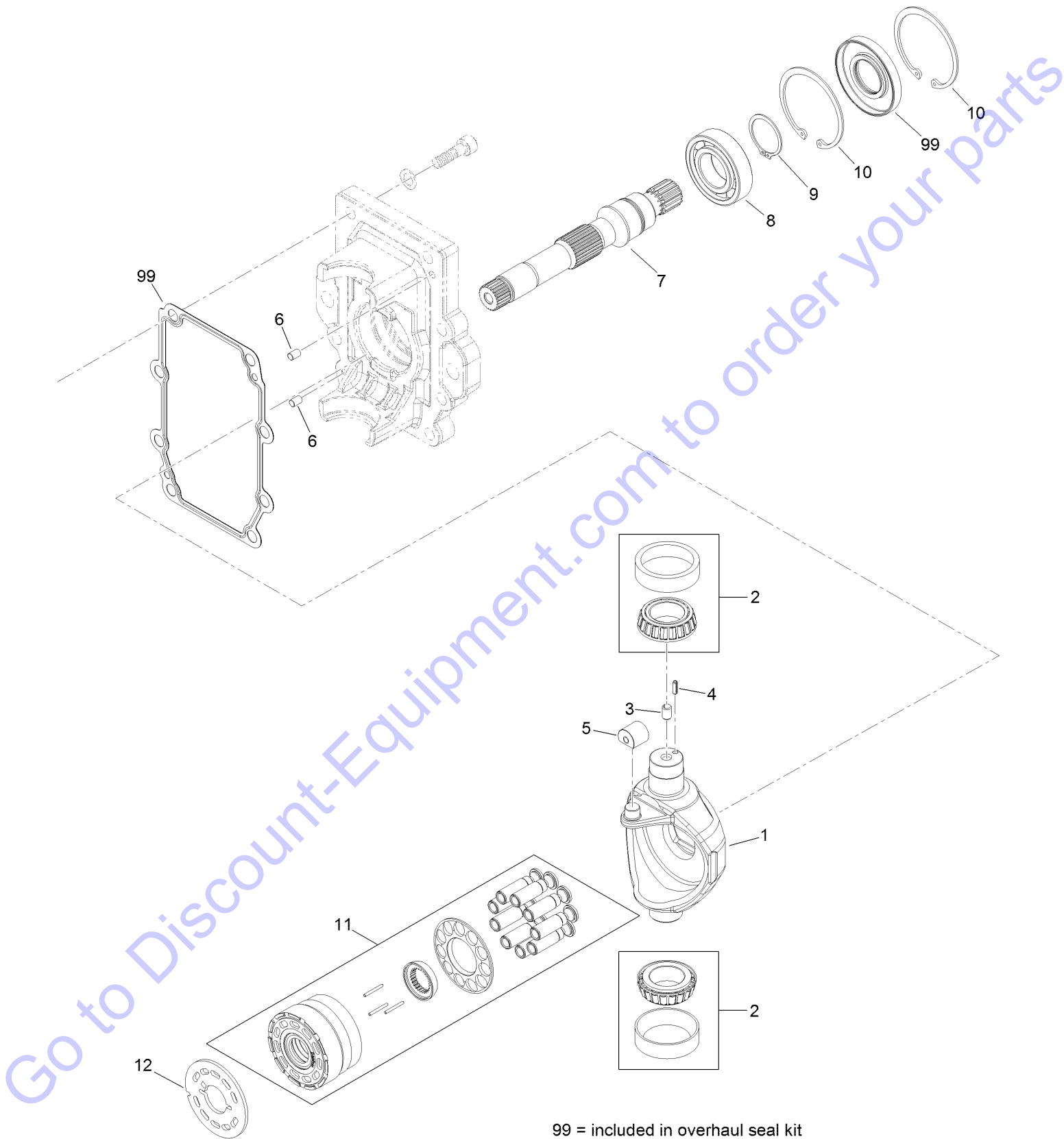
Tandem Hydraulic Pump Assembly No. 132-8497 (continued)

<i>Ref.</i>	<i>Part Number</i>	<i>Qty.</i>	<i>Description</i>
1	139-4800	1	Pump-Front
2	139-4801	1	Pump-Rear
3	139-4802	1	O-Ring

<i>Ref.</i>	<i>Part Number</i>	<i>Qty.</i>	<i>Description</i>
4	139-4803	2	Screw
5	139-4804	2	Washer

Go to Discount-Equipment.com to order your parts

Front Hydraulic Pump Assembly No. 139-4800



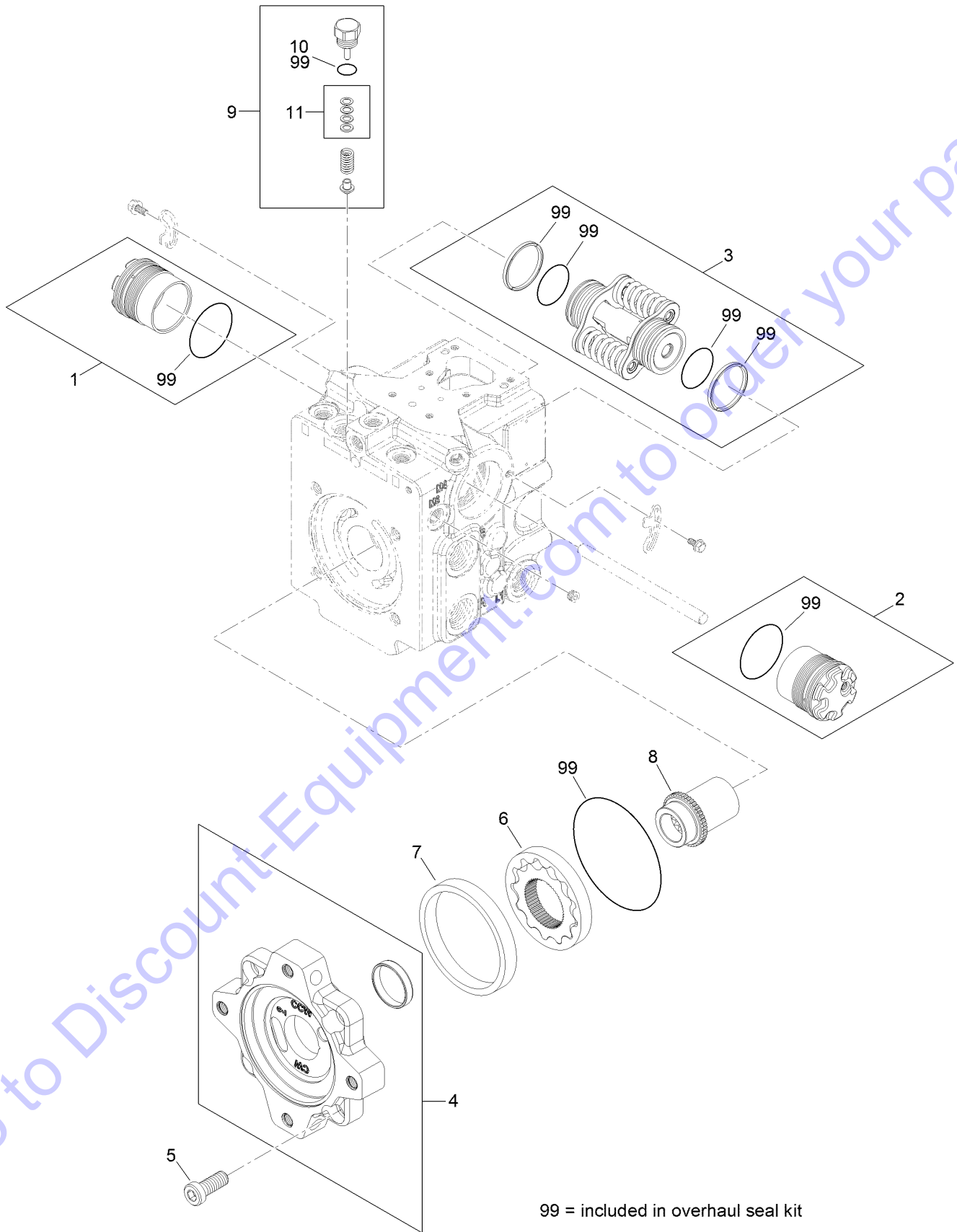
99 = included in overhaul seal kit

Front Hydraulic Pump Assembly No. 139-4800 (continued)

<i>Ref.</i>	<i>Part Number</i>	<i>Qty.</i>	<i>Description</i>	<i>Ref.</i>	<i>Part Number</i>	<i>Qty.</i>	<i>Description</i>
1	139-4821	1	Swashplate	8	139-4820	1	Bearing-Ball
2	139-4815	2	Bearing-Roller	9	139-4806	1	Ring-Retaining
3	139-4817	1	Bushing	10	139-4831	2	Ring-Retaining
4	139-4830	1	Pin-Slotted	11	139-4823	1	Cylinder Block Kit
5	139-4814	1	Block-Slider	12	139-4813	1	Plate-Valve
6	136-1024	2	Pin	99	139-4828	1	Seal Kit
7	139-4812	1	Shaft-15 Tooth				

Go to Discount-Equipment.com to order your parts

Front Hydraulic Pump Assembly No. 139-4800



99 = included in overhaul seal kit

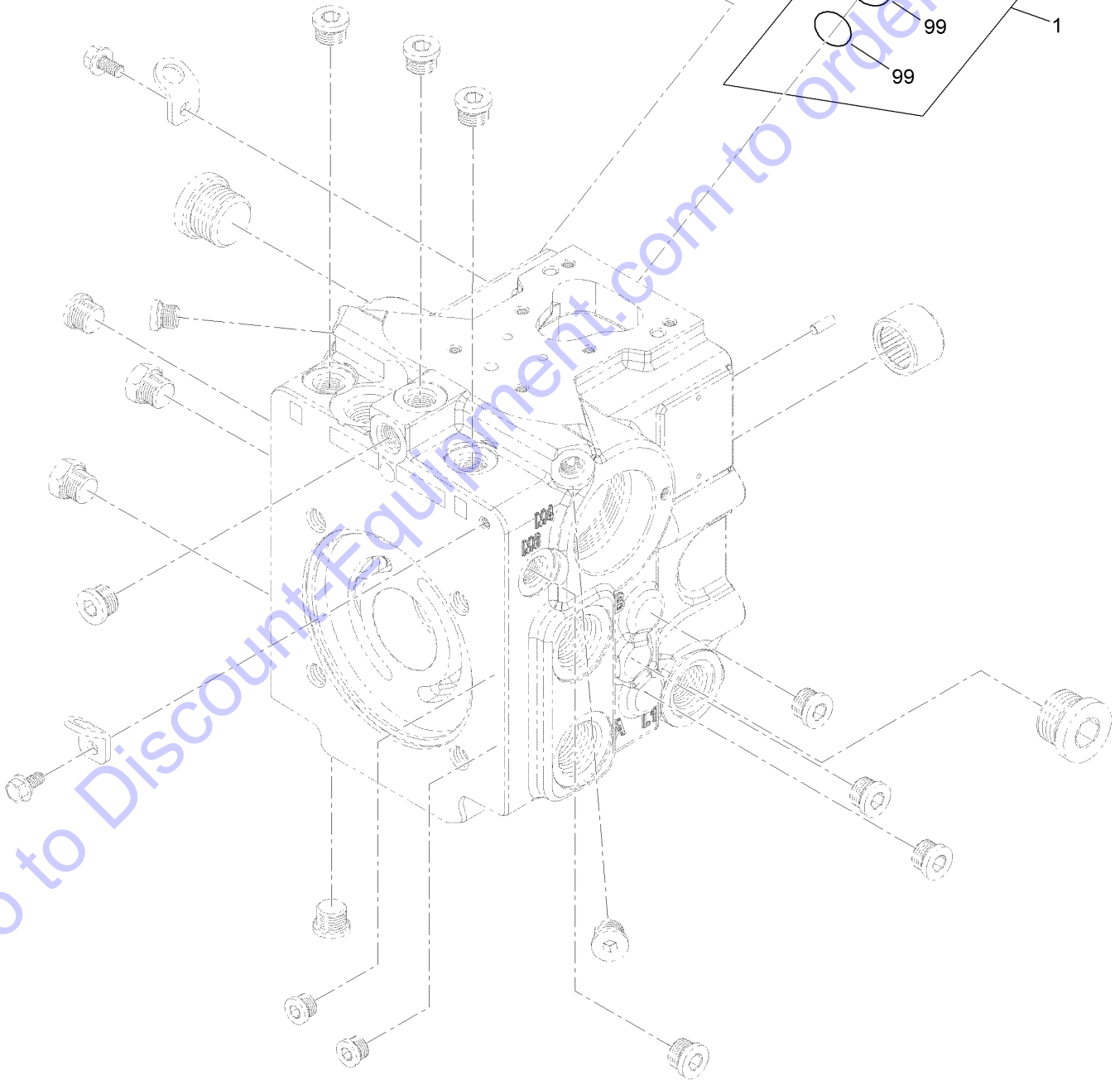
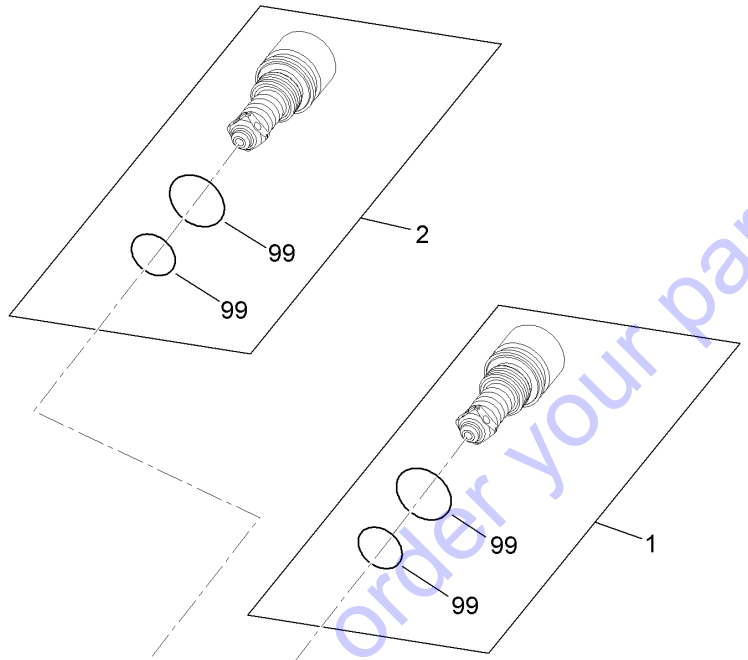
Front Hydraulic Pump Assembly No. 139-4800 (continued)

<i>Ref.</i>	<i>Part Number</i>	<i>Qty.</i>	<i>Description</i>	<i>Ref.</i>	<i>Part Number</i>	<i>Qty.</i>	<i>Description</i>
1	139-4825	1	Servo Cylinder ASM	7	139-4827	1	Ring-Pump, Charge
2	139-4825	1	Servo Cylinder ASM	8	139-4819	1	Coupling
3	139-4826	1	Servo Piston ASM	9	136-4397	1	Charge Relief Kit
4	139-4829	1	Adapter ASM	10	125-5298	1	O-Ring
5	125-5282	4	Screw	11	92-1353	1	Shim Kit
6	139-4816	1	Gerotor	99	139-4828	1	Seal Kit

Go to Discount-Equipment.com to order your parts

Front Hydraulic Pump Assembly No. 139-4800

99 = included in overhaul seal kit



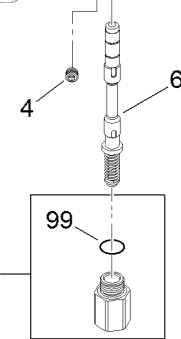
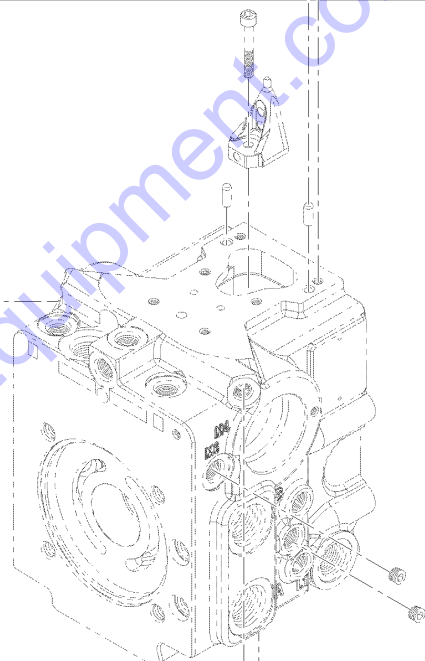
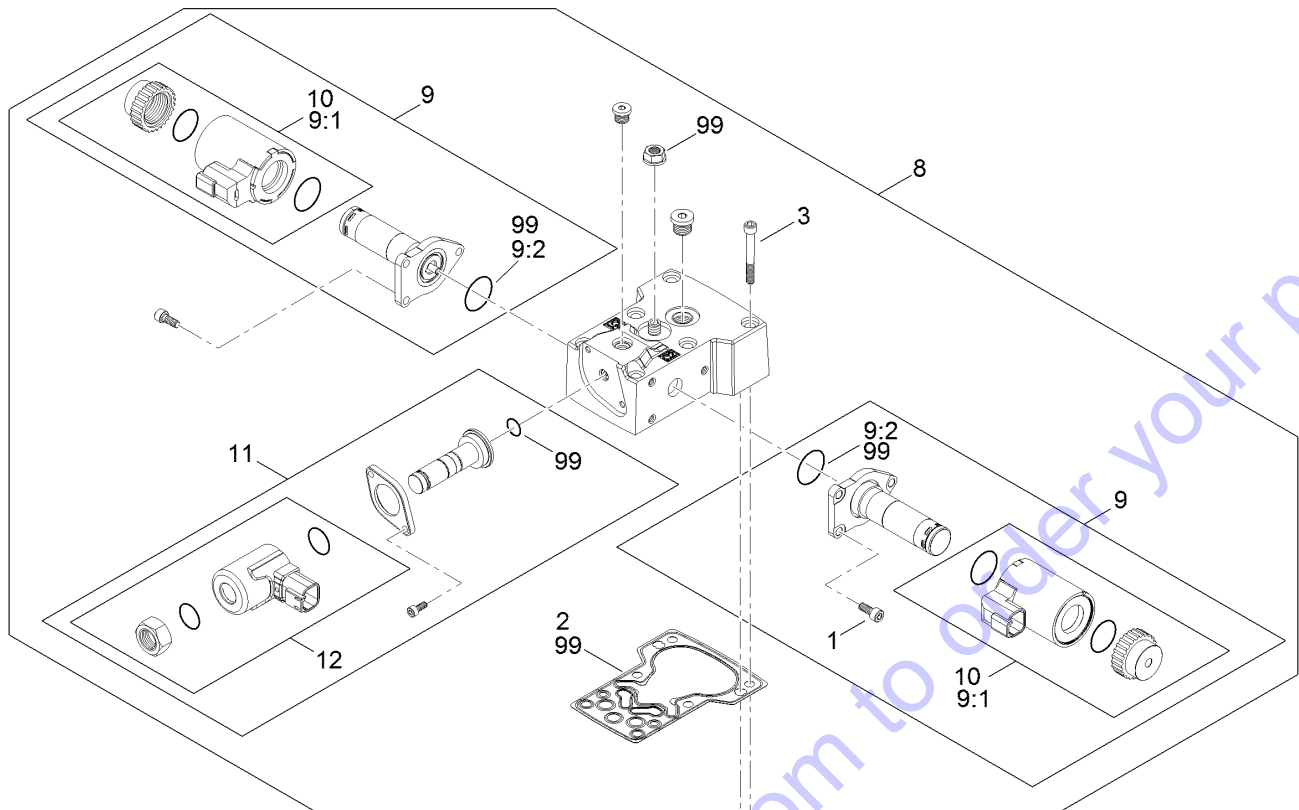
Go to Discount-Equipment.com to order your parts

Front Hydraulic Pump Assembly No. 139-4800 (continued)

<i>Ref.</i>	<i>Part Number</i>	<i>Qty.</i>	<i>Description</i>
1	136-4392	1	Valve-Relief, High Pressure
2	136-4392	1	Valve-Relief, High Pressure
99	139-4828	1	Seal Kit

Go to Discount-Equipment.com to order your parts

Front Hydraulic Pump Assembly No. 139-4800



99 = included in overhaul seal kit

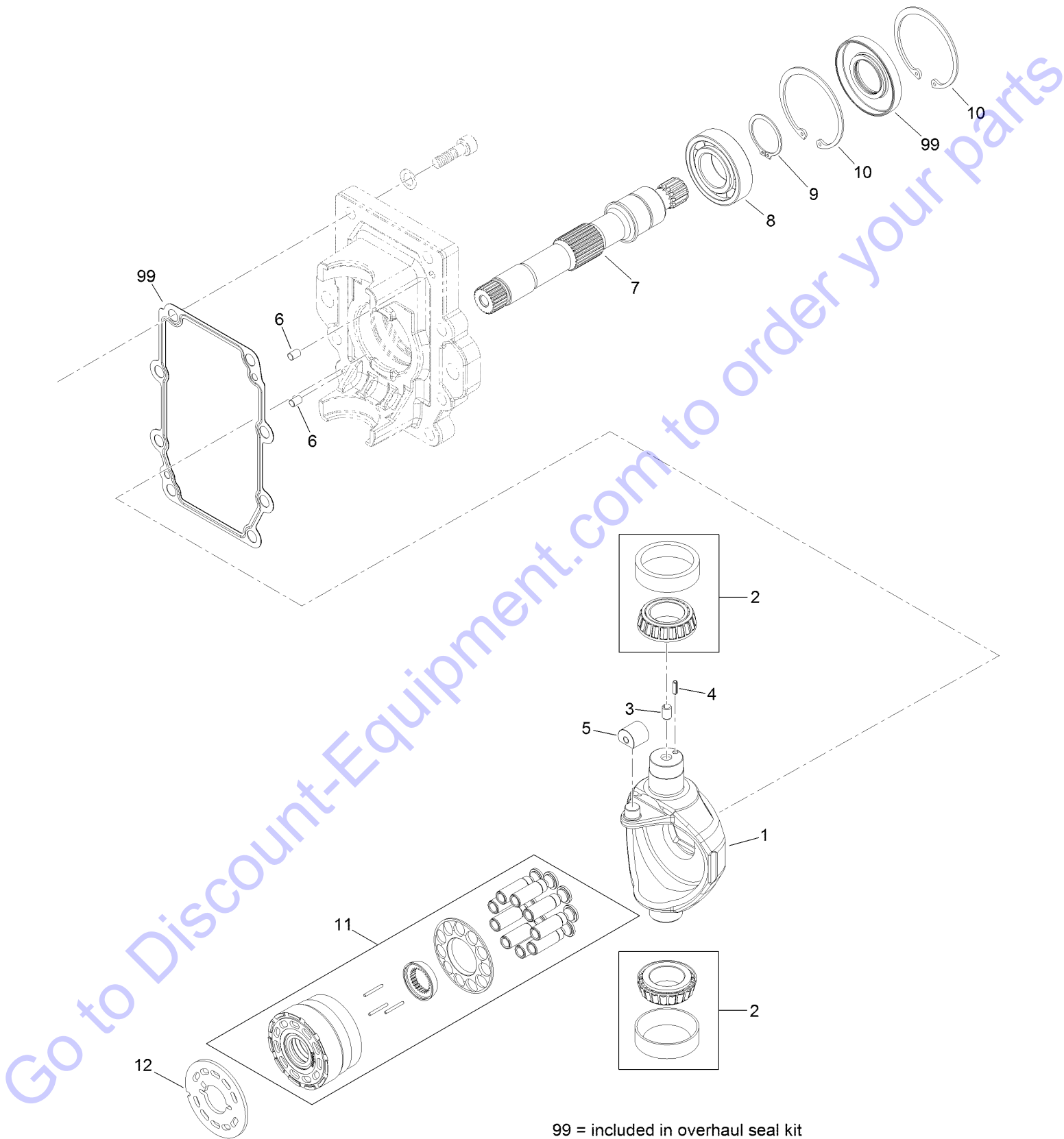
Go to Discount-Equipment.com to order your parts

Front Hydraulic Pump Assembly No. 139-4800 (continued)

<i>Ref.</i>	<i>Part Number</i>	<i>Qty.</i>	<i>Description</i>	<i>Ref.</i>	<i>Part Number</i>	<i>Qty.</i>	<i>Description</i>
1	125-5272	6	Screw	9	131-7636	2	Solenoid Valve ASM
2	125-5283	1	Gasket-Control	9:1	125-5294	1	Coil Kit
3	125-5274	6	Screw	9:2	125-5288	1	O-Ring
4	139-4824	1	Orifice	10	125-5294	2	Coil Kit
5	139-4824	1	Orifice	11	139-4808	1	Valve-Solenoid
6	139-4807	1	Spool ASM	12	139-4809	1	Coil Kit
7	139-4805	1	Plug ASM	99	139-4828	1	Seal Kit
8	139-4810	1	E D C Kit				

Go to Discount-Equipment.com to order your parts

Rear Hydraulic Pump Assembly No. 139-4801



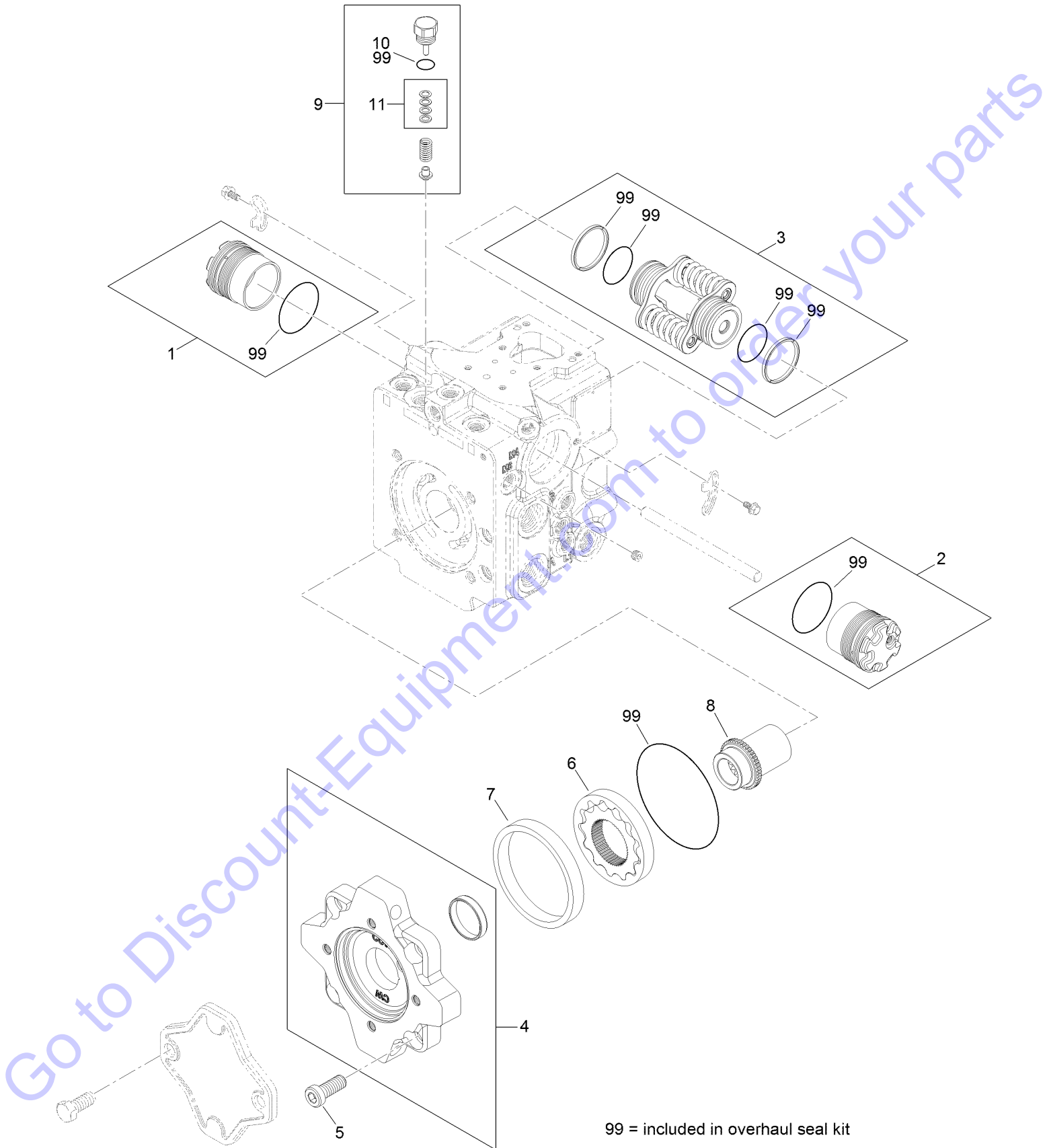
99 = included in overhaul seal kit

Rear Hydraulic Pump Assembly No. 139-4801 (continued)

<i>Ref.</i>	<i>Part Number</i>	<i>Qty.</i>	<i>Description</i>	<i>Ref.</i>	<i>Part Number</i>	<i>Qty.</i>	<i>Description</i>
1	139-4821	1	Swashplate	8	139-4820	1	Bearing-Ball
2	139-4815	2	Bearing-Roller	9	139-4806	1	Ring-Retaining
3	139-4817	1	Bushing	10	139-4831	2	Ring-Retaining
4	139-4830	1	Pin-Slotted	11	139-4823	1	Cylinder Block Kit
5	139-4814	1	Block-Slider	12	139-4813	1	Plate-Valve
6	136-1024	2	Pin	99	139-4828	1	Seal Kit
7	139-4811	1	Shaft-13Tooth				

Go to Discount-Equipment.com to order your parts

Rear Hydraulic Pump Assembly No. 139-4801



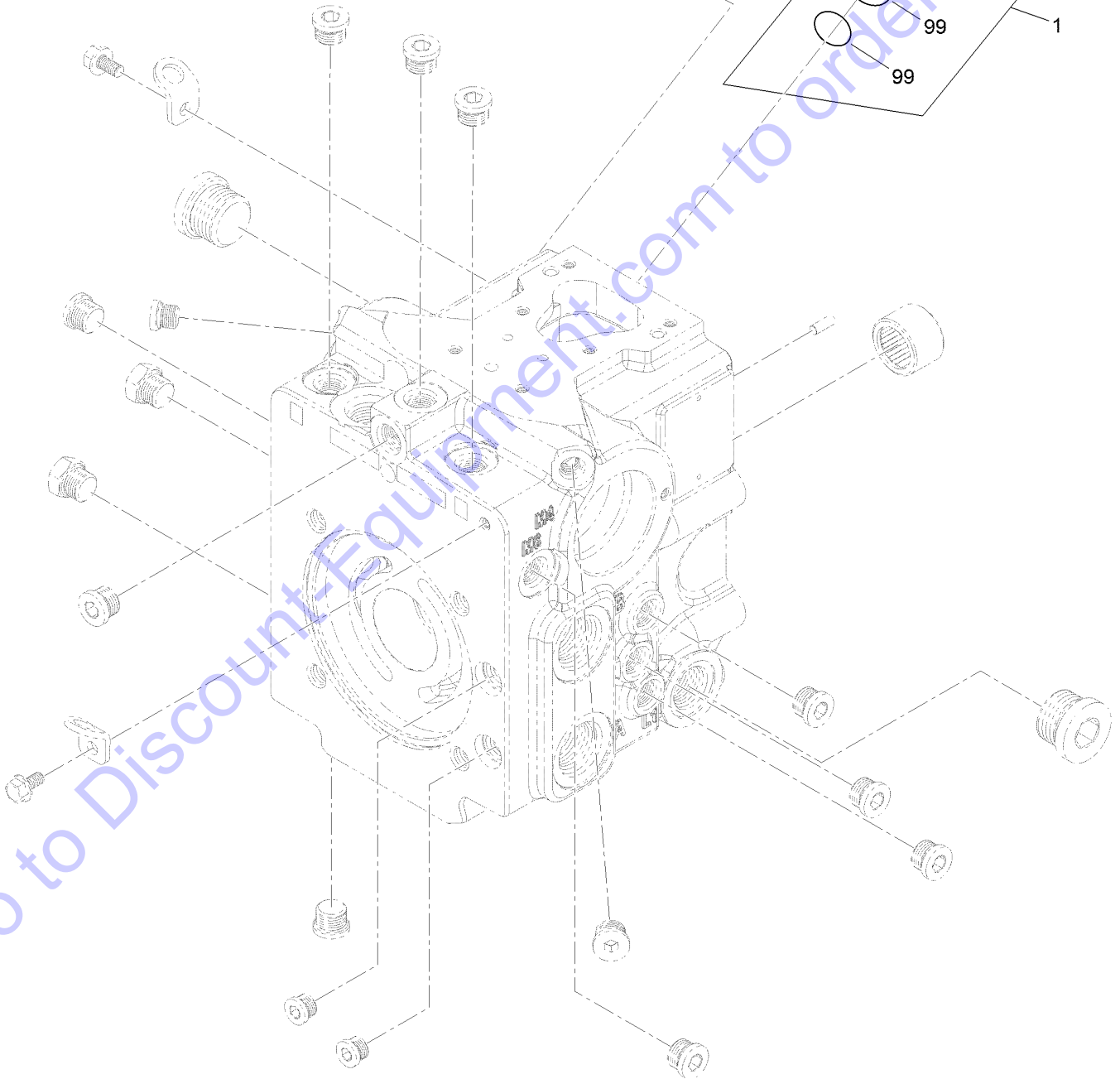
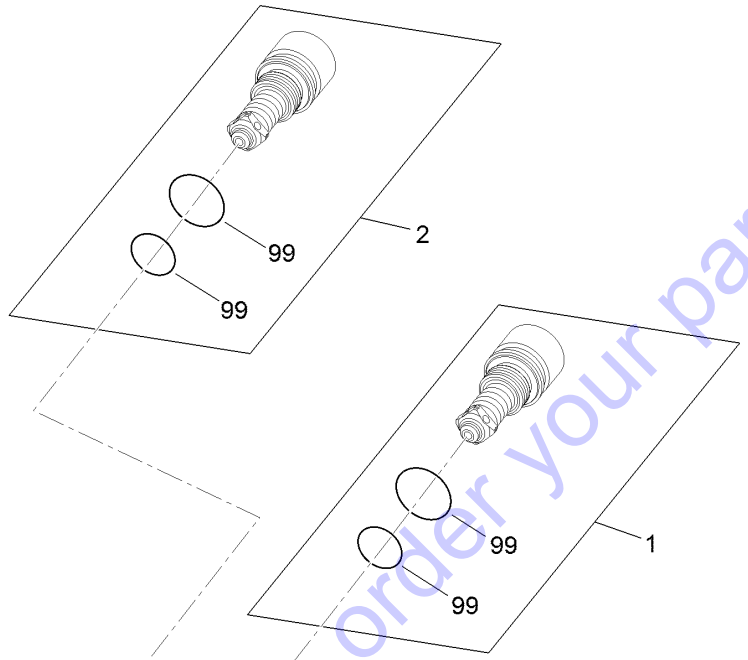
Rear Hydraulic Pump Assembly No. 139-4801 (continued)

<i>Ref.</i>	<i>Part Number</i>	<i>Qty.</i>	<i>Description</i>	<i>Ref.</i>	<i>Part Number</i>	<i>Qty.</i>	<i>Description</i>
1	139-4825	1	Servo Cylinder ASM	7	139-4827	1	Ring-Pump, Charge
2	139-4825	1	Servo Cylinder ASM	8	139-4818	1	Coupling
3	139-4826	1	Servo Piston ASM	9	136-4397	1	Charge Relief Kit
4	139-4822	1	Adapter ASM	10	125-5298	1	O-Ring
5	125-5282	4	Screw	11	92-1353	1	Shim Kit
6	139-4816	1	Gerotor	99	139-4828	1	Seal Kit

Go to Discount-Equipment.com to order your parts

Rear Hydraulic Pump Assembly No. 139-4801

99 = included in overhaul seal kit

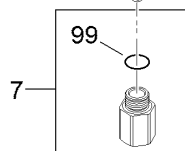
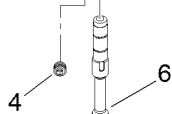
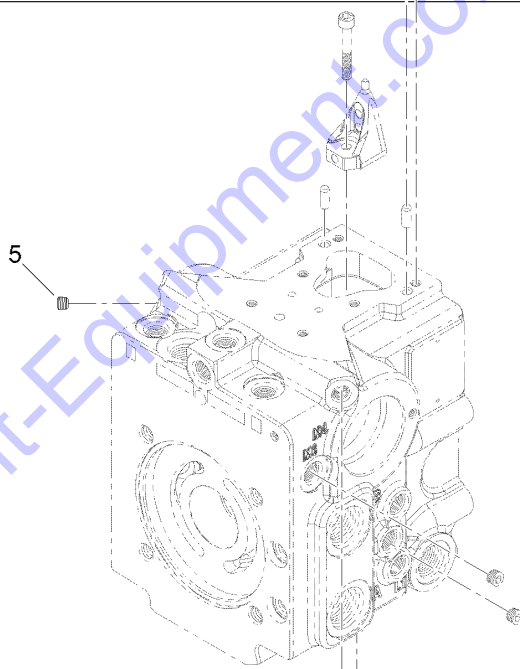
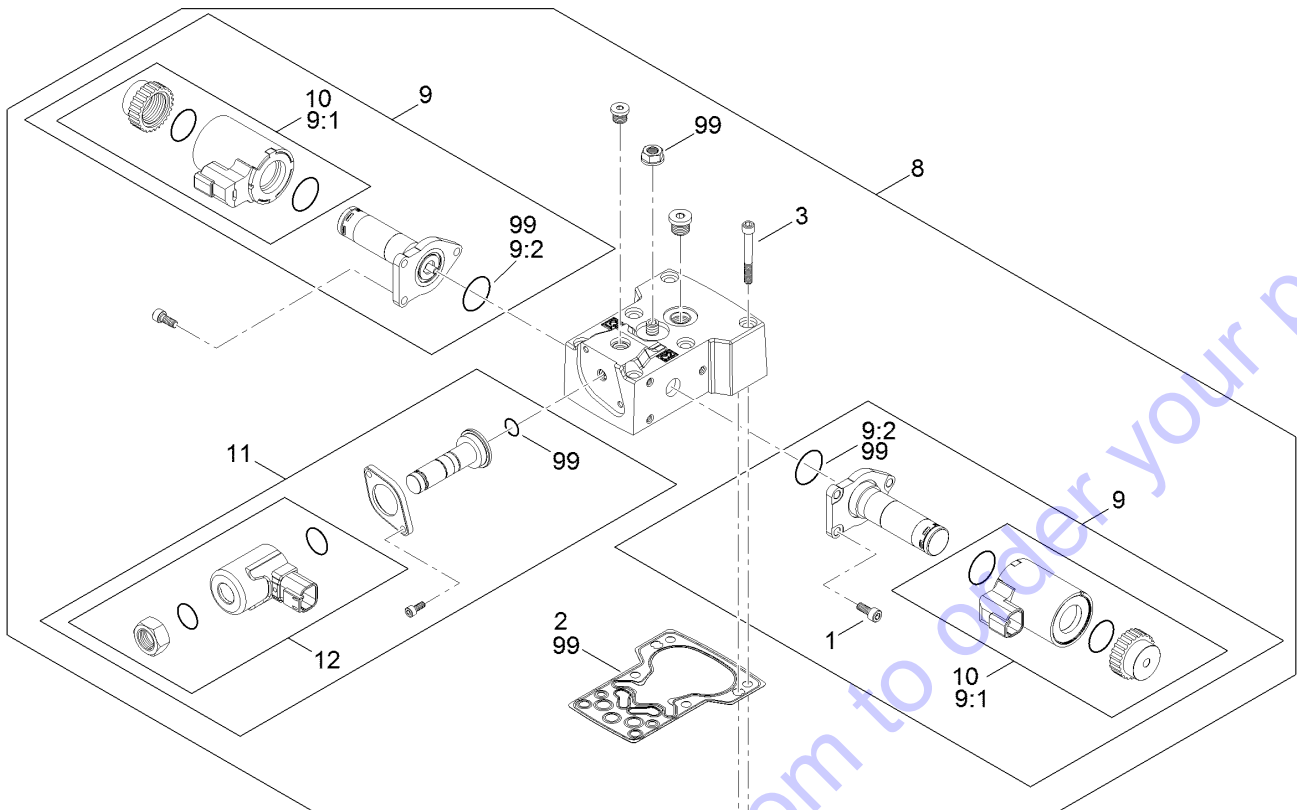


Rear Hydraulic Pump Assembly No. 139-4801 (continued)

<i>Ref.</i>	<i>Part Number</i>	<i>Qty.</i>	<i>Description</i>
1	136-4392	1	Valve-Relief, High Pressure
2	136-4392	1	Valve-Relief, High Pressure
99	139-4828	1	Seal Kit

Go to Discount-Equipment.com to order your parts

Rear Hydraulic Pump Assembly No. 139-4801



99 = included in overhaul seal kit

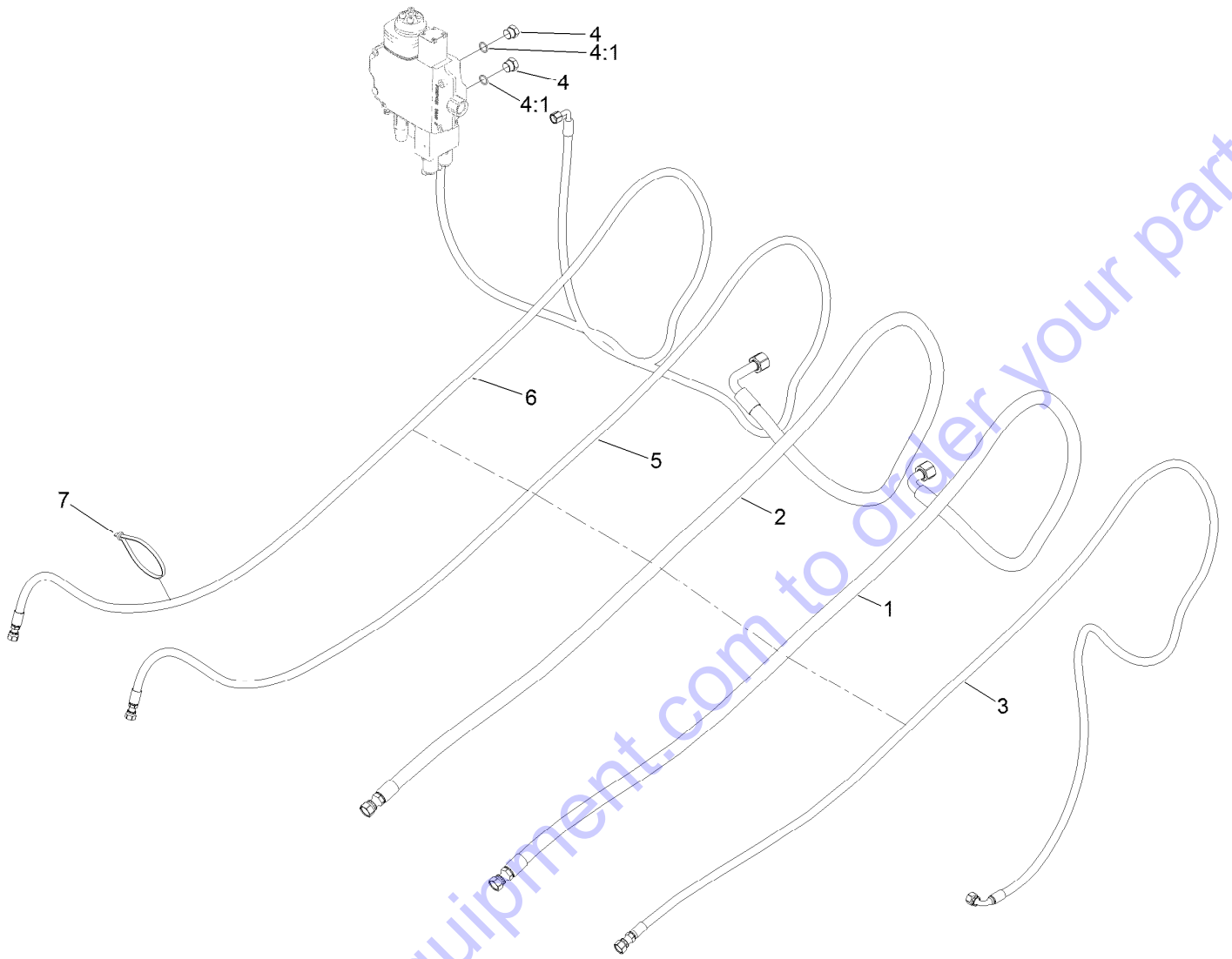
Go to Discount-Equipment.com to order your parts

Rear Hydraulic Pump Assembly No. 139-4801 (continued)

<i>Ref.</i>	<i>Part Number</i>	<i>Qty.</i>	<i>Description</i>	<i>Ref.</i>	<i>Part Number</i>	<i>Qty.</i>	<i>Description</i>
1	125-5272	6	Screw	9	131-7636	2	Solenoid Valve ASM
2	125-5283	1	Gasket-Control	9:1	125-5294	1	Coil Kit
3	125-5274	6	Screw	9:2	125-5288	1	O-Ring
4	139-4824	1	Orifice	10	125-5294	2	Coil Kit
5	139-4824	1	Orifice	11	139-4808	1	Valve-Solenoid
6	139-4807	1	Spool ASM	12	139-4809	1	Coil Kit
7	139-4805	1	Plug ASM	99	139-4828	1	Seal Kit
8	139-4810	1	E D C Kit				

Go to Discount-Equipment.com to order your parts

Loader Arm Hydraulic Hose Assembly



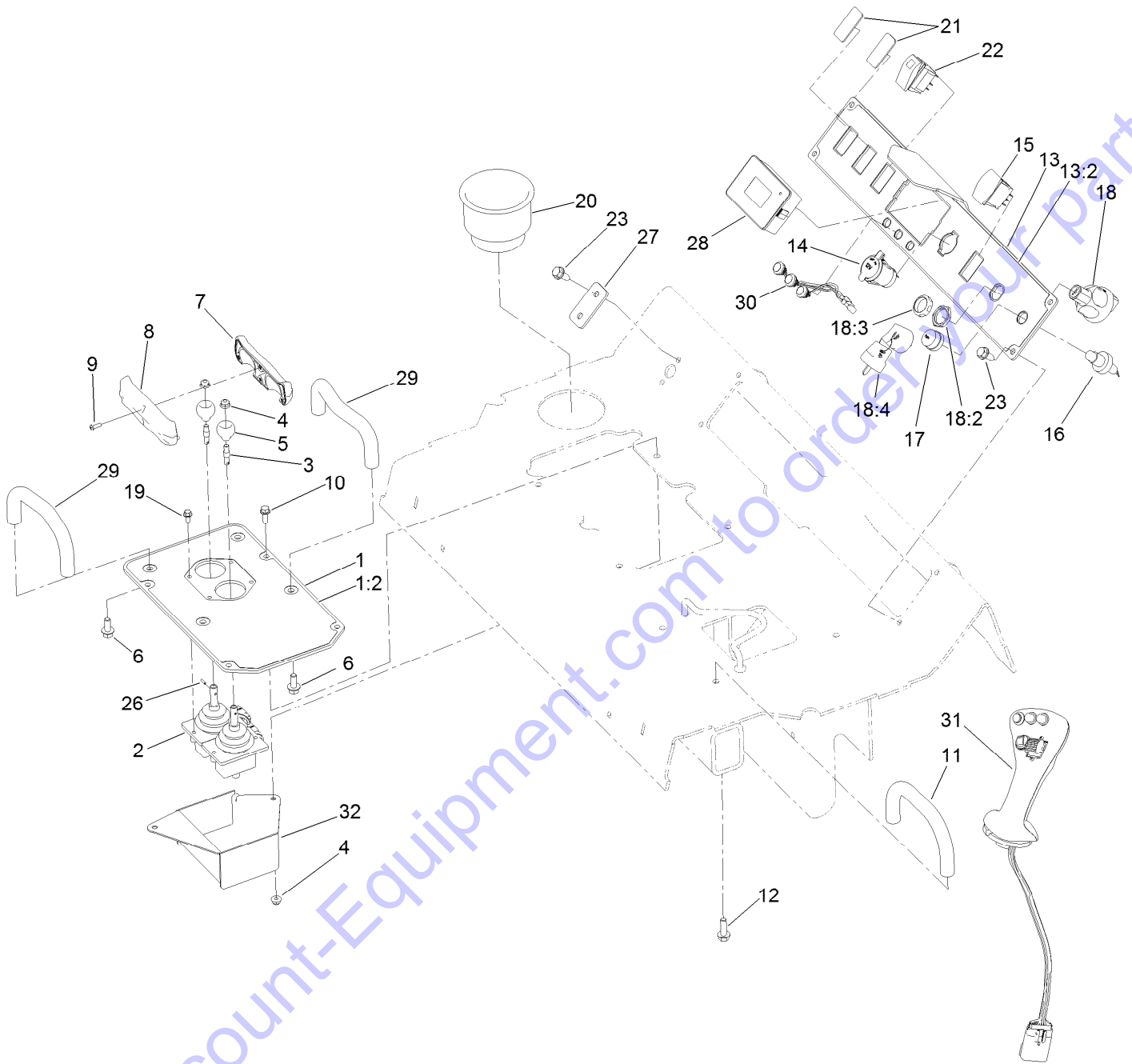
Go to Discount-Equipment.com to order your parts

Loader Arm Hydraulic Hose Assembly (continued)

<i>Ref.</i>	<i>Part Number</i>	<i>Qty.</i>	<i>Description</i>	<i>Ref.</i>	<i>Part Number</i>	<i>Qty.</i>	<i>Description</i>
1	136-6138	1	Hose-HYD	4:1	237-80	1	O-Ring
2	136-6139	1	Hose-HYD	5	136-6136	1	Hose-HYD
3	136-6140	1	Hose-HYD	6	136-6137	1	Hose-HYD
4	353-551	2	Plug-HH	7	3334-945	1	Tie-Cable

Go to Discount-Equipment.com to order your parts

Control Console Assembly



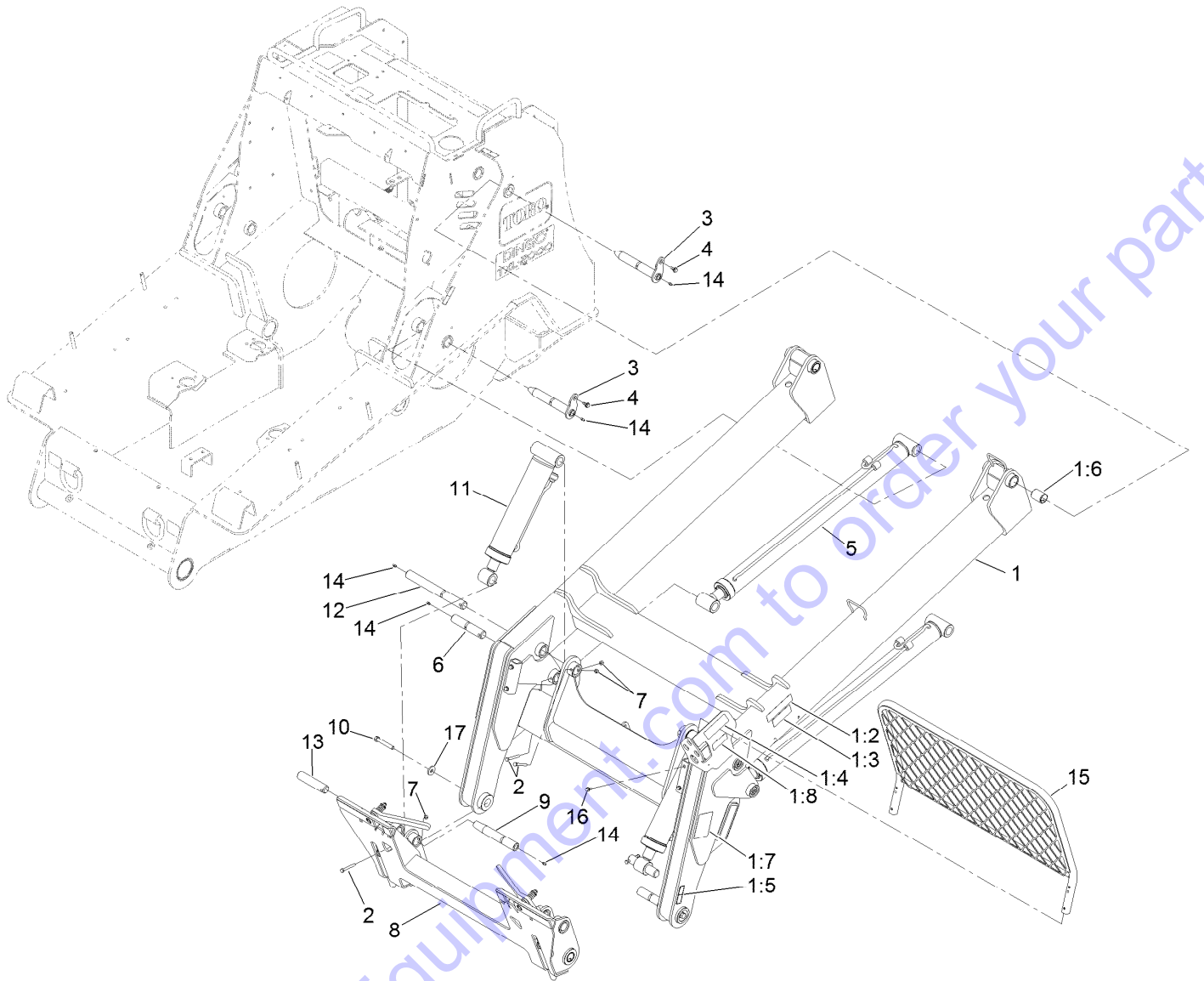
Go to Discount-Equipment.com to order your parts

Control Console Assembly (continued)

<i>Ref.</i>	<i>Part Number</i>	<i>Qty.</i>	<i>Description</i>	<i>Ref.</i>	<i>Part Number</i>	<i>Qty.</i>	<i>Description</i>
1	138-4729	1	Plate-Controls, Traction	16	112-3324	1	Switch-Horn
1:2	137-5420	1	Decal-Traction	17	112-3313	1	Nut-Weatherproof
2	136-4784	2	Lever-Control	18	121-5159	1	Ignition Switch ASM
3	137-0431	2	Shaft-Handle	18:2	121-5160	1	Nut-Hex
4	104-7201	6	Nut-HF	18:3	121-5161	1	Nut-Face
5	130-7723	2	Ball-Traction	18:4	121-5162	1	Set-Key, Ignition
6	3234-5	4	Screw-HHF	19	120-4579	4	Screw-HHF
7	139-1166	1	Handle-Front	20	AU8EQ24121	1	Cup-Holder
8	139-1167	1	Handle-Rear	21	AU382892A1	2	Blank-Switch, Rocker
9	94-6961	4	Screw	22	100-8072	1	Switch
10	115-5103	4	Screw-HHF	23	32104-32	6	Screw-HWH
11	112-2620	1	Bar-Reference	26	137-0432	2	Pin-Roll
12	3234-17	2	Screw-HHF	27	137-0439-01	1	Plate-Blank
13	138-4728	1	Plate-Controls, Main	28	122-1201	1	Module-Display
13:2	137-5421	1	Decal-Controls	29	138-4693	2	Bar-Reference
14	126-6499	1	Port-Power, 12V	30	136-9678	3	Switch-Pushbutton
15	100-1535	1	Switch-Rocker, (On)-Off-(On)	31	136-4879	1	Handle-Joystick
				32	138-2335-01	1	Cover-Valve

Go to Discount-Equipment.com to order your parts

Loader Arm Assembly



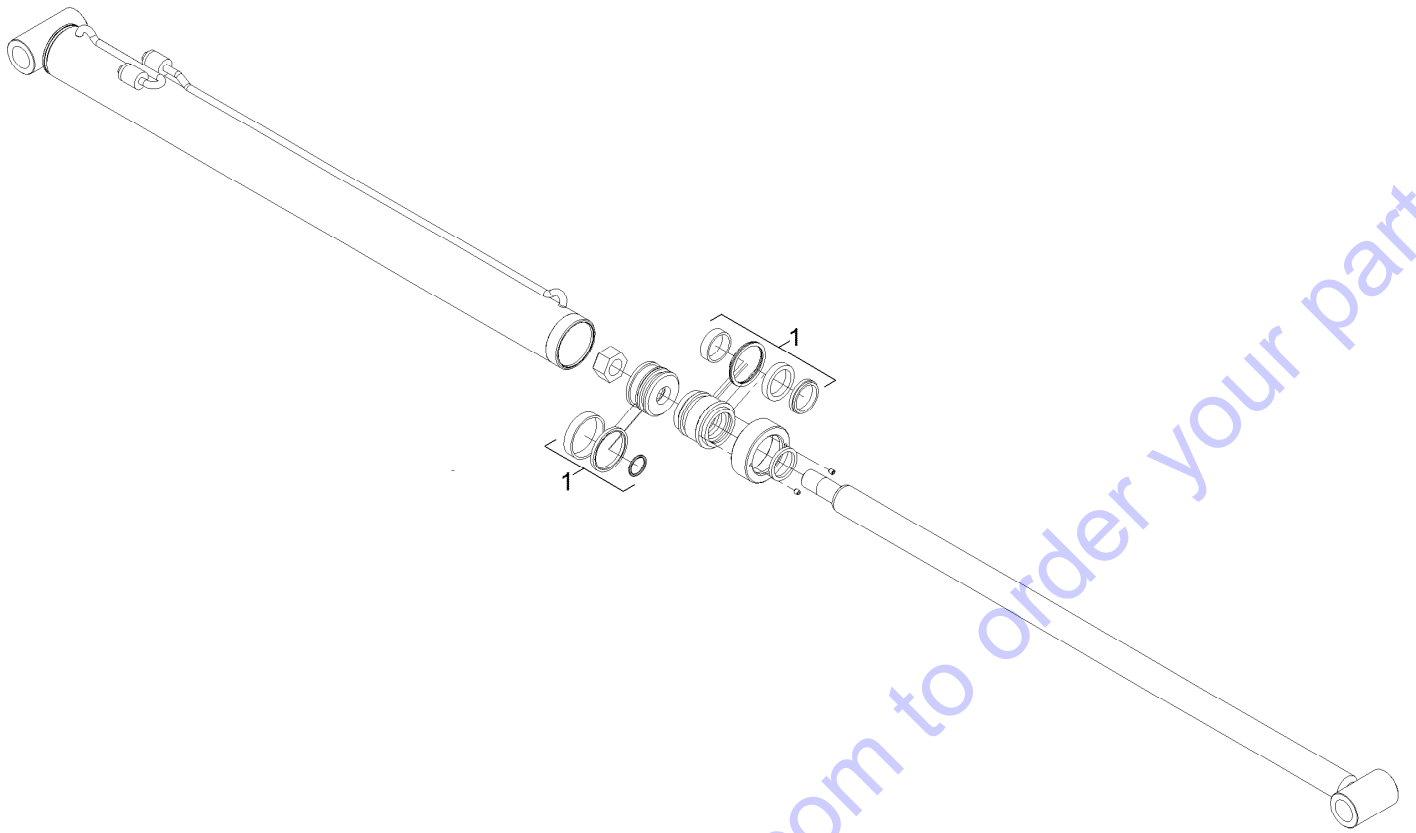
Go to Discount-Equipment.com to order your parts

Loader Arm Assembly (continued)

<i>Ref.</i>	<i>Part Number</i>	<i>Qty.</i>	<i>Description</i>	<i>Ref.</i>	<i>Part Number</i>	<i>Qty.</i>	<i>Description</i>
1	138-4732	1	Loader Arm ASM	6	132-8427	2	Pin-Link
1:2	139-1158	2	Decal-Warning	7	3296-29	6	Nut-Lock, NI
1:3	139-1159	2	Decal-Warning	8	132-8468	1	Qtach ASM
1:4	115-4855	1	Decal-Caution	9	139-1169	2	Pin-Link, Taper
1:5	120-0625	2	Decal-Warning	10	112-7264	2	Screw-HH
1:6	137-0126	4	Bushing-Spring	11	132-1701	2	HYD CYL ASM
1:7	139-1164	2	Decal-Warning	12	132-8445	2	Pin-Link
1:8	139-1173	1	Decal-Warning	13	139-1170	2	Pin-Link
2	322-12	6	Screw-HH	14	302-5	10	Fitting-Grease
3	137-0132	4	Pivot Pin ASM	15	139-1195-03	1	Screen-Debris
4	99-5105	4	Bolt-Shoulder	16	3234-5	4	Screw-HHF
5	132-1685	2	HYD CYL ASM	17	92-2651	2	Washer

Go to Discount-Equipment.com to order your parts

Hydraulic Cylinder Assembly No. 132-1685



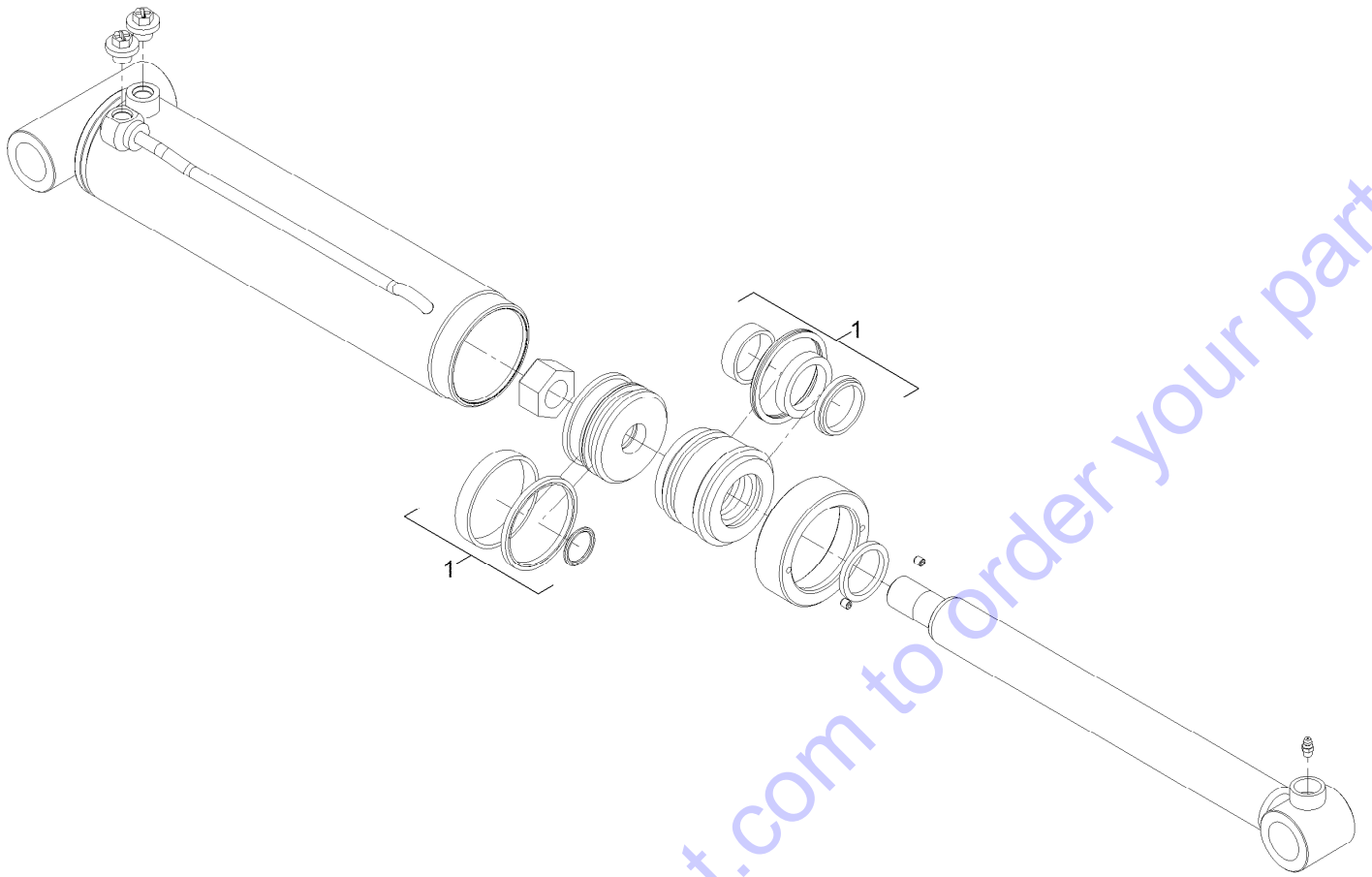
Go to Discount-Equipment.com to order your parts

Hydraulic Cylinder Assembly No. 132-1685 (continued)

<i>Ref.</i>	<i>Part Number</i>	<i>Qty.</i>	<i>Description</i>
1	139-1208	1	Seal Kit

Go to Discount-Equipment.com to order your parts

Hydraulic Cylinder Assembly No. 132-1701



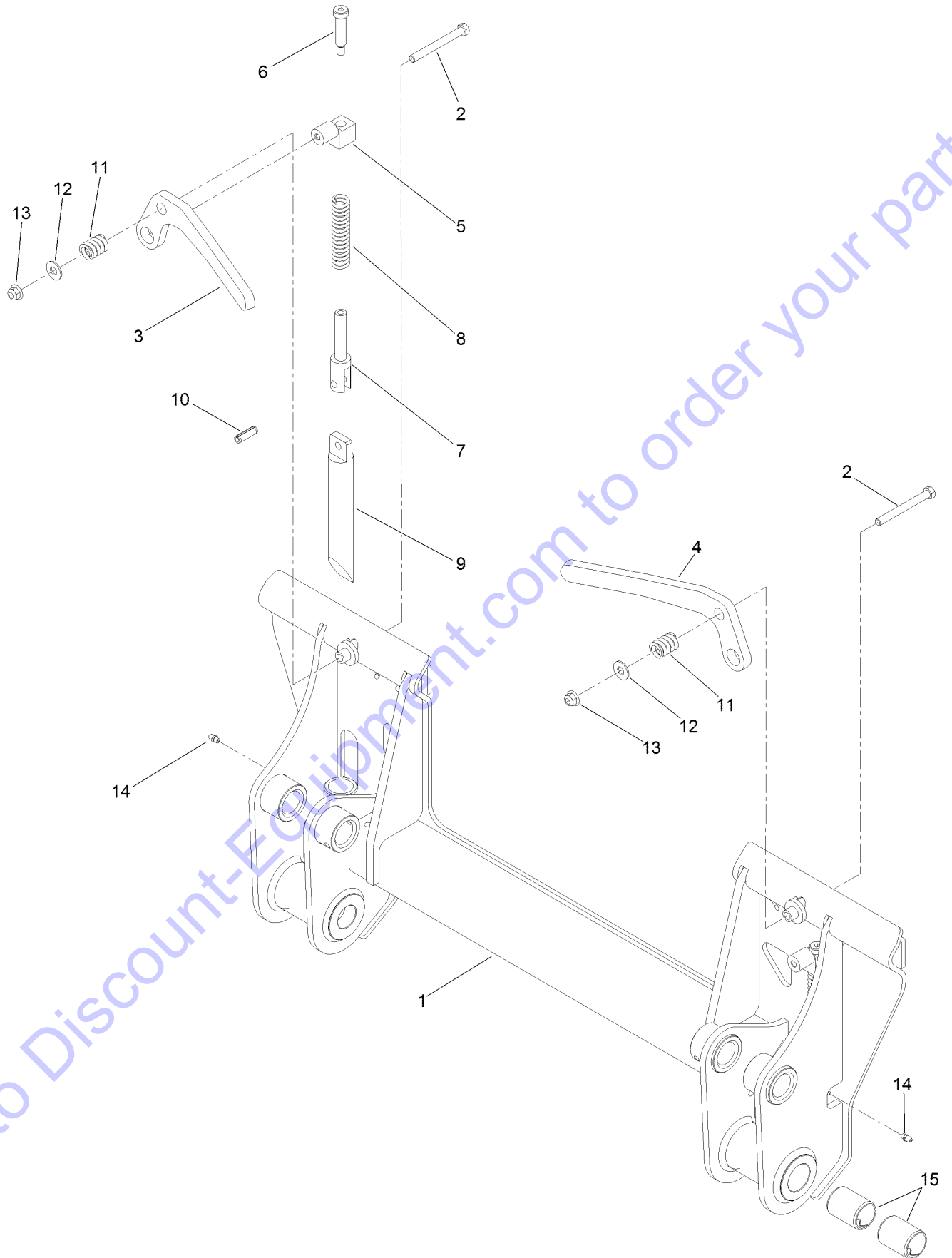
Go to Discount-Equipment.com to order your parts

Hydraulic Cylinder Assembly No. 132-1701 (continued)

<i>Ref.</i>	<i>Part Number</i>	<i>Qty.</i>	<i>Description</i>
1	139-1207	1	Seal Kit

Go to Discount-Equipment.com to order your parts

Qtach Assembly No. 132-8468



Go to Discount-Equipment.com to order your parts

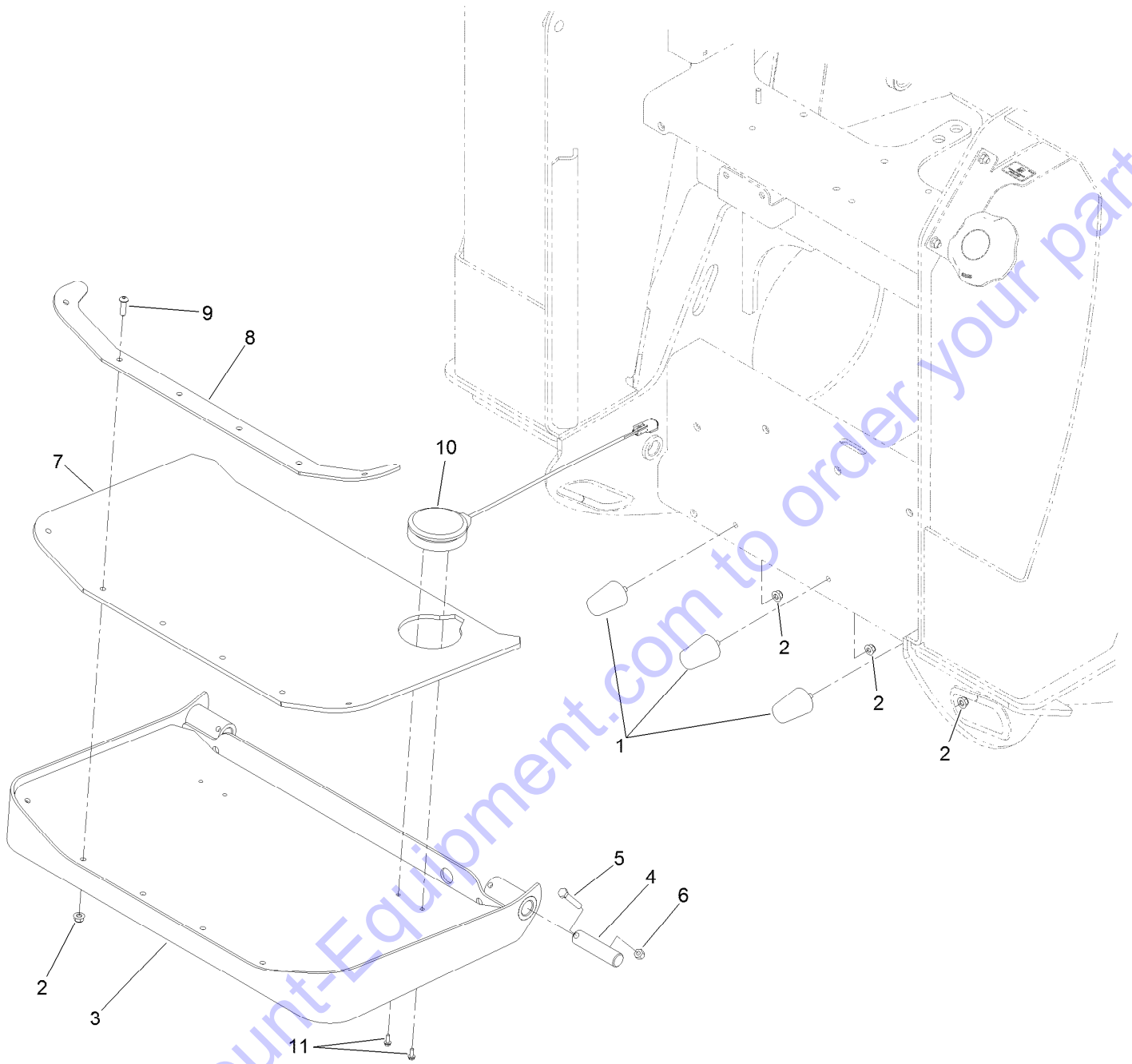
Qtach Assembly No. 132-8468 (continued)

<i>Ref.</i>	<i>Part Number</i>	<i>Qty.</i>	<i>Description</i>
1	132-8459-03	1	Mount-Qtach
2	323-15	2	Screw-HH
3	132-8460-03	1	Handle-Left
4	132-8461-03	1	Handle-Right
5	133-9419	2	Block-Stop
6	1-809062	2	Screw
7	132-8462	2	Link-Handle
8	1-633454	2	Spring-Brake

<i>Ref.</i>	<i>Part Number</i>	<i>Qty.</i>	<i>Description</i>
9	132-8467	2	Pin-Qtach
10	32121-42	2	Pin-Roll
11	95-0772	2	Spring-Compression
12	3256-4	2	Washer-Flat
13	104-8301	2	Nut-HF, NI
14	302-5	2	Fitting-Grease
15	137-0126	4	Bushing-Spring

Go to Discount-Equipment.com to order your parts

Platform Assembly

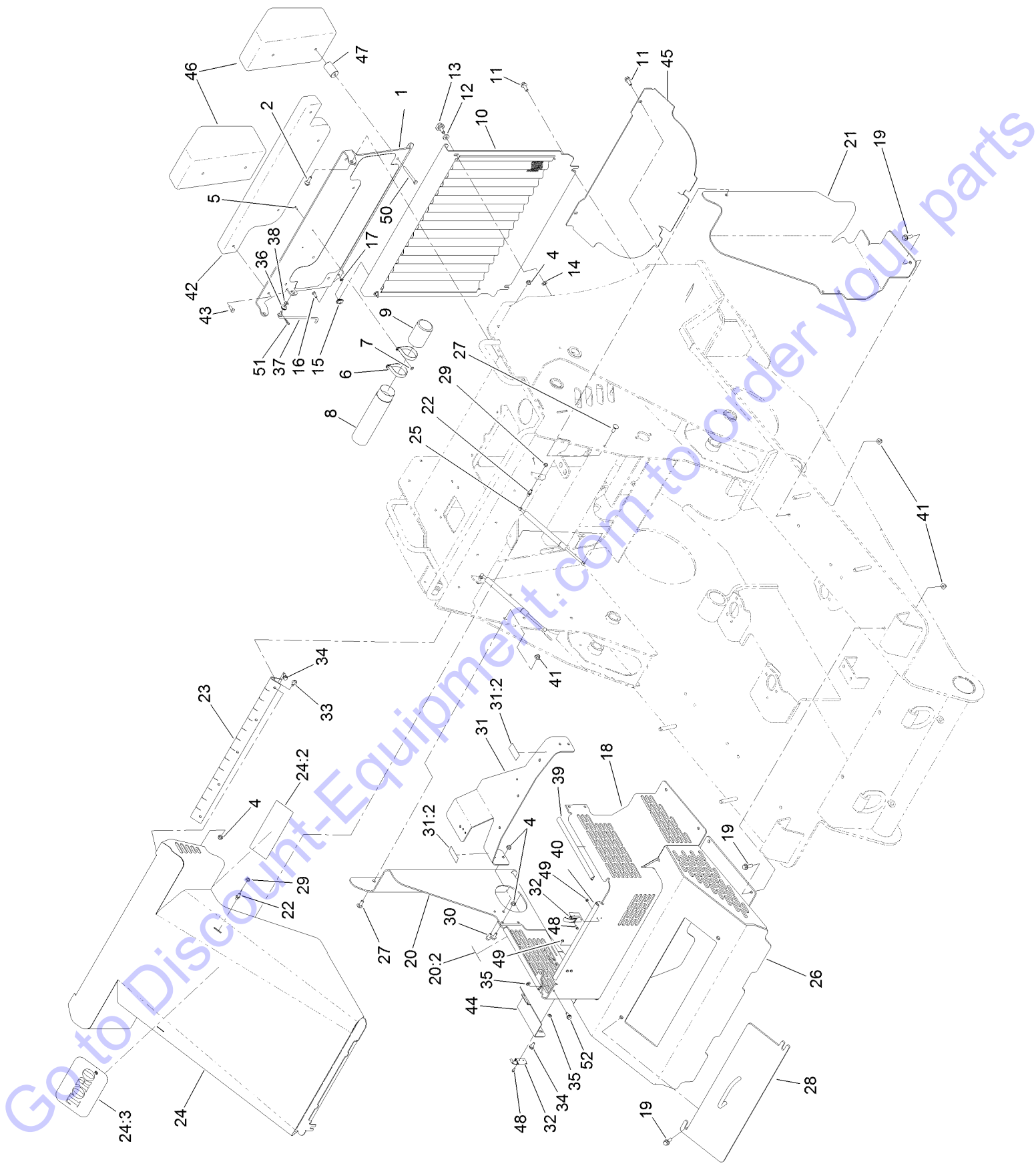


Platform Assembly (continued)

<i>Ref.</i>	<i>Part Number</i>	<i>Qty.</i>	<i>Description</i>	<i>Ref.</i>	<i>Part Number</i>	<i>Qty.</i>	<i>Description</i>
1	110-5070	3	Bumper	7	138-4674	1	Pad-Platform
2	104-8300	9	Nut-HF, NI	8	138-4677-03	1	Bracket-Clamp, Platform
3	138-4672-03	1	Platform	9	109-4872	6	Screw-HSH
4	125-3749	2	Pin-Pivot	10	136-4752	1	Switch-Foot
5	322-10	2	Screw-HH	11	32144-1	2	Screw-Taptite
6	3296-29	2	Nut-Lock, NI				

Go to Discount-Equipment.com to order your parts

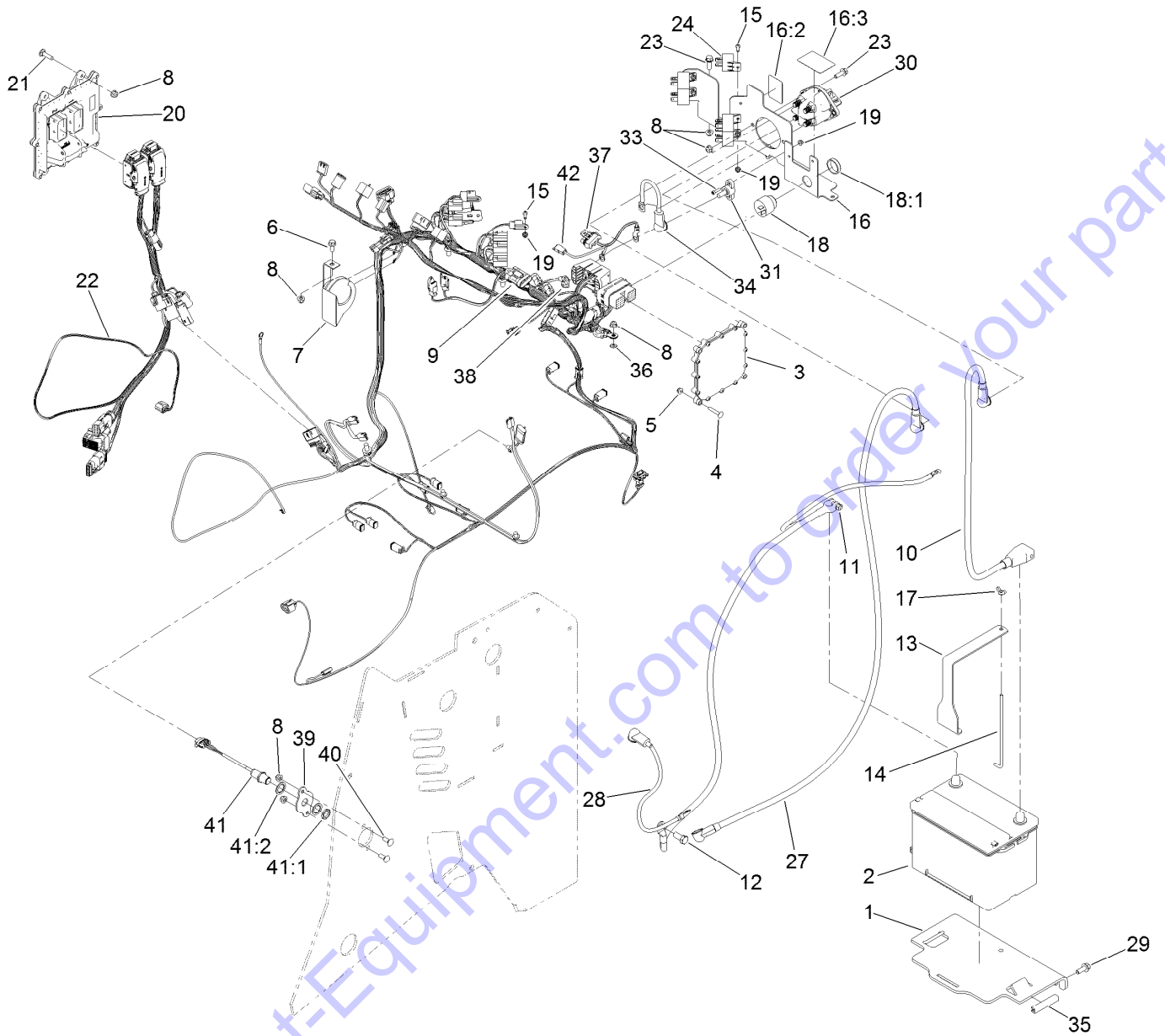
Cover and Access Panel Assembly



Cover and Access Panel Assembly (continued)

<i>Ref.</i>	<i>Part Number</i>	<i>Qty.</i>	<i>Description</i>	<i>Ref.</i>	<i>Part Number</i>	<i>Qty.</i>	<i>Description</i>
1	136-4854-03	1	Panel-Rear	27	3231-2	2	Bolt-CARR
2	108-3744	2	Screw-Shoulder	28	137-0440-03	1	Cover Plate ASM
4	104-8300	15	Nut-HF, NI	29	3296-47	4	Nut-Lock, NI
5	3269-17	2	Rivet-Pop	30	3234-47	8	Screw-HHF
6	2412-120	2	Clamp-R	31	138-4735	1	Bracket-Air Cleaner
7	3269-10	2	Washer-Back	31:2	115-2047	2	Decal-Surface, Hot
8	104-7050	1	Tube-Manual	32	105-3912	3	Latch-Draw
9	104-7048	1	Cap-Housing	33	3234-5	5	Screw-HHF
10	133-9353-03	1	Cover-Rear	34	32104-32	6	Screw-HWH
11	3234-11	4	Screw-HHF	35	109-5667	2	Nut-Push
12	106-0565	2	Washer-Rubber	36	237-141	1	Grommet-Rubber
13	95-9648	2	Knob	37	137-5350	1	Rod-Prop
14	107-3154	2	Nut-Push	38	3256-22	1	Washer-Flat
15	107069	1	Clip	39	137-0393	2	Liner-Foam
16	321-4	1	Screw-HH	40	137-0394	1	Liner-Foam
17	1-803037	1	Nut-Retaining	41	104-8301	12	Nut-HF, NI
18	133-6846-03	1	Panel-Engine	42	137-0405	1	Cushion-Pad
19	3234-24	12	Screw-HHF	43	322-3	4	Screw-HH
20	138-4734	1	Cover-Grille, RH	44	137-0392-03	1	Cover-Access
20:2	115-2047	1	Decal-Surface, Hot	45	132-8485-01	1	Cover-Access, Bottom
21	133-6873-03	1	Plate-Grille, LH	46	137-0536	2	Pad-Rear
22	103-5752	4	Stud-Ball	47	138-2318	4	Spacer-Pad
23	137-0378	1	Hinge-Piano	48	112-3169	6	Screw-HHF, Serrated
24	138-4736	1	Hood ASM	49	3296-1	6	Nut-Lock
24:2	137-5419	1	Decal-Service	50	322-14	4	Screw-HH
24:3	92-1242	1	Decal	51	3290-307	1	Pin-Cotter
25	114-5532	2	Cylinder-Gas	52	32144-49	1	Screw-HWHTF
26	133-6840-03	1	Front Cover ASM				

Electrical Assembly

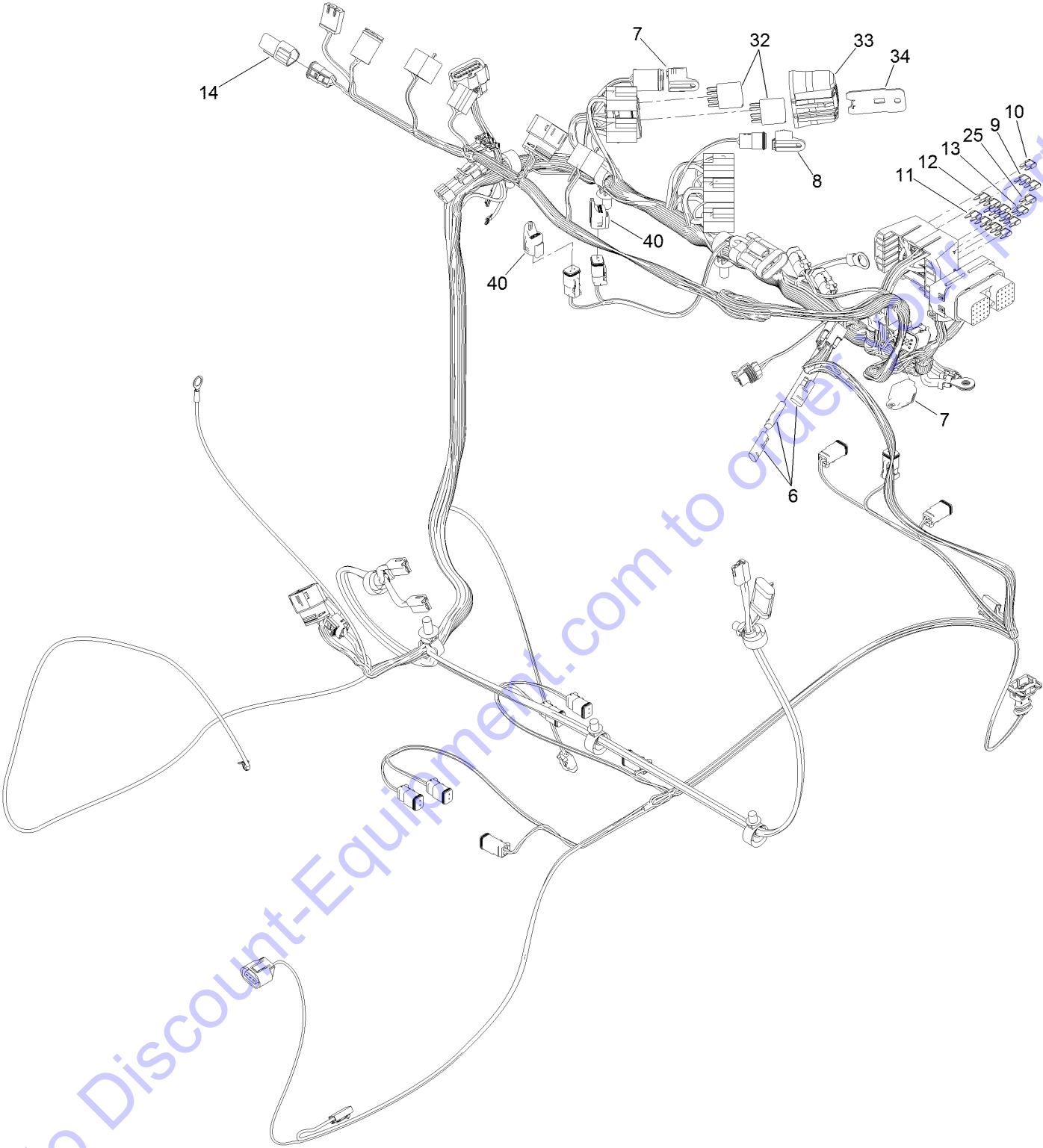


Electrical Assembly (continued)

<i>Ref.</i>	<i>Part Number</i>	<i>Qty.</i>	<i>Description</i>	<i>Ref.</i>	<i>Part Number</i>	<i>Qty.</i>	<i>Description</i>
1	137-0374-03	1	Bracket-Battery	21	3230-3	4	Screw-CARR
2	106-5190	1	Battery	22	136-4753	1	Harness-Engine
3	127-2770	1	Controller	22:9	32180-043	1	Resistor-120 Ohm ●
4	3229-4	4	Screw-CARR	22:19	32180-101	2	Cover-Fuse, Single ●
5	104-7201	4	Nut-HF	22:20	121-8864	2	Fuse-Mini Blade, 5 Amp ●
6	3234-47	1	Screw-HHF	23	3234-29	5	Screw-HHF
7	116749	1	Horn	24	99-7435	6	Relay
8	104-8300	13	Nut-HF, NI	27	136-4754	1	Cable-Battery, Positive
9	133-6871	1	Harness-Wire	28	136-4816	1	Cable-Battery, Positive
10	136-6090	1	Cable-Battery, Positive	29	3234-11	3	Screw-HHF
11	136-6091	1	Cable-Battery, Negative	30	122-0603	1	Switch-Disconnect
12	AU514-842	1	Screw-HH	31	110-8822	1	Block-Junction
13	133-9422-03	1	Plate-Hold, Battery	33	3274-14	2	Screw-HSH
14	130-5220	1	Rod-Hold Down, Battery	34	137-0525	1	Cable-Battery, Positive
15	3290-126	7	Screw-HWH	35	70-2041	2	Trim
16	138-4737	1	Bracket-Components, Electrical	36	3255-8	1	Washer-Lock
16:2	137-7164	1	Decal-Power, Battery	37	122-0084	1	Harness-Wire, Fusible Link
16:3	139-1206	1	Decal-Fuses	38	104-8301	1	Nut-HF, NI
17	1-803038	1	Wingnut	39	138-4709	1	Plate-Mount, Sensor
18	80-9330	1	Audio Alarm ASM	40	3230-16	2	Screw-CARR
18:1	104-5107	1	Nut-Plastic, Knurled	41	115-5300	1	Proximity Switch ASM
19	120-4578	9	Nut-HF	41:1	117-3207	2	Nut-Hex
20	136-4739	1	Ecu-Engine	41:2	117-3208	2	Washer-Lock, Internal Tooth
				42	136-4862	1	Harness-Wire, Fusible Link

● Not illustrated

Wire Harness Assembly No. 133-6871

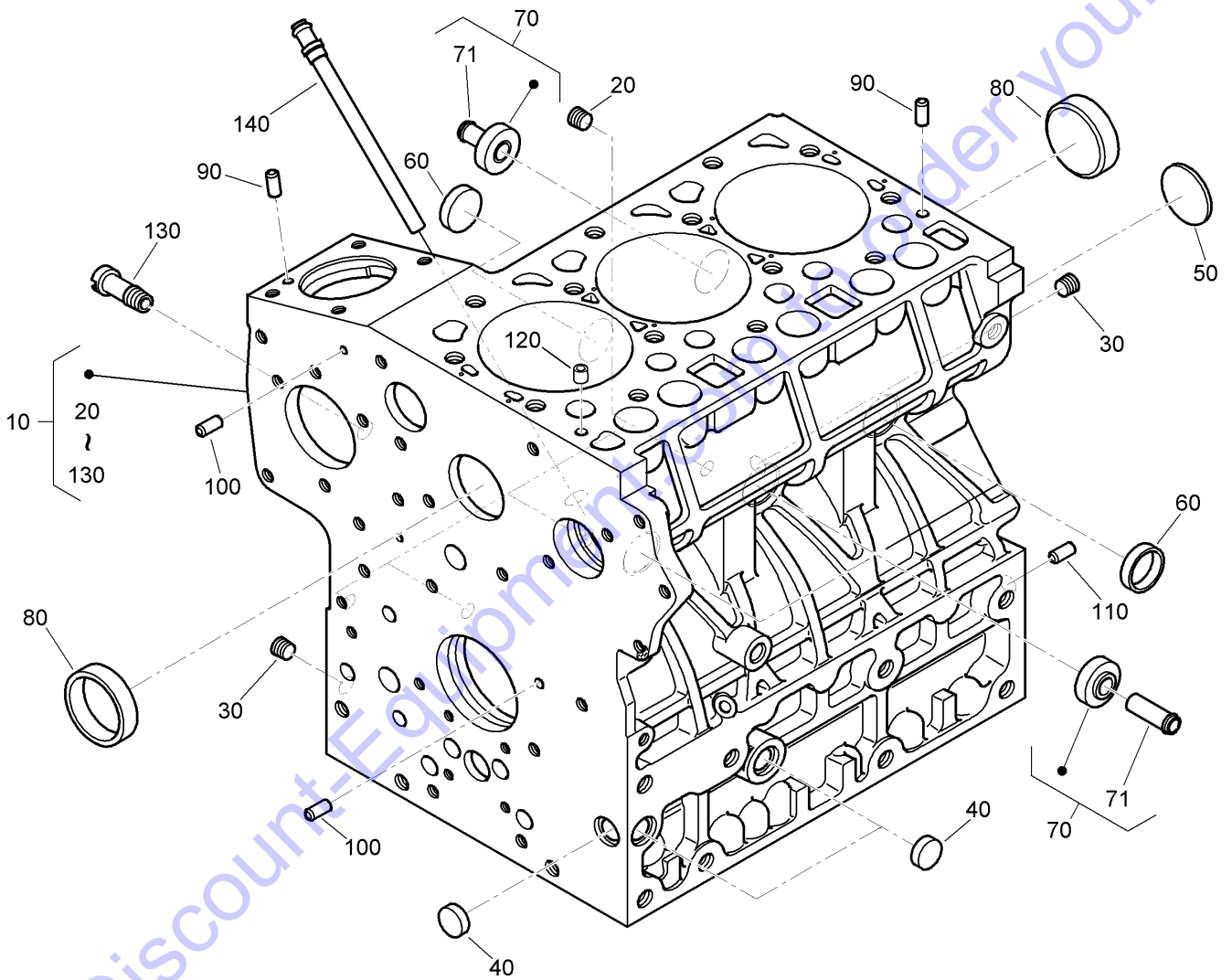


Wire Harness Assembly No. 133-6871 (continued)

<i>Ref.</i>	<i>Part Number</i>	<i>Qty.</i>	<i>Description</i>	<i>Ref.</i>	<i>Part Number</i>	<i>Qty.</i>	<i>Description</i>
6	116-0053	3	Cap-Plug	13	121-8868	1	Fuse-Mini Blade, 20 Amp
7	32180-156	1	Cap-Plug, 6 Way	14	32180-043	1	Resistor-120 Ohm
8	32180-089	1	Cap-Plug, 3 Way	25	121-8869	1	Fuse-Mini Blade, 25 Amp
9	121-8861	2	Fuse-Mini Blade, 2 Amp	32	122-0368	2	Relay-280 ISO
10	121-8864	1	Fuse-Mini Blade, 5 Amp	33	32180-176	1	Cover-Block, Fuse
11	121-8865	4	Fuse-Mini Blade, 7.5 Amp	34	32180-177	1	Clip-Mounting
12	121-8866	6	Fuse-Mini Blade, 10 Amp	40	32180-091	2	Cap-Dust, 2 Way

Go to Discount-Equipment.com to order your parts

Crankcase Assembly

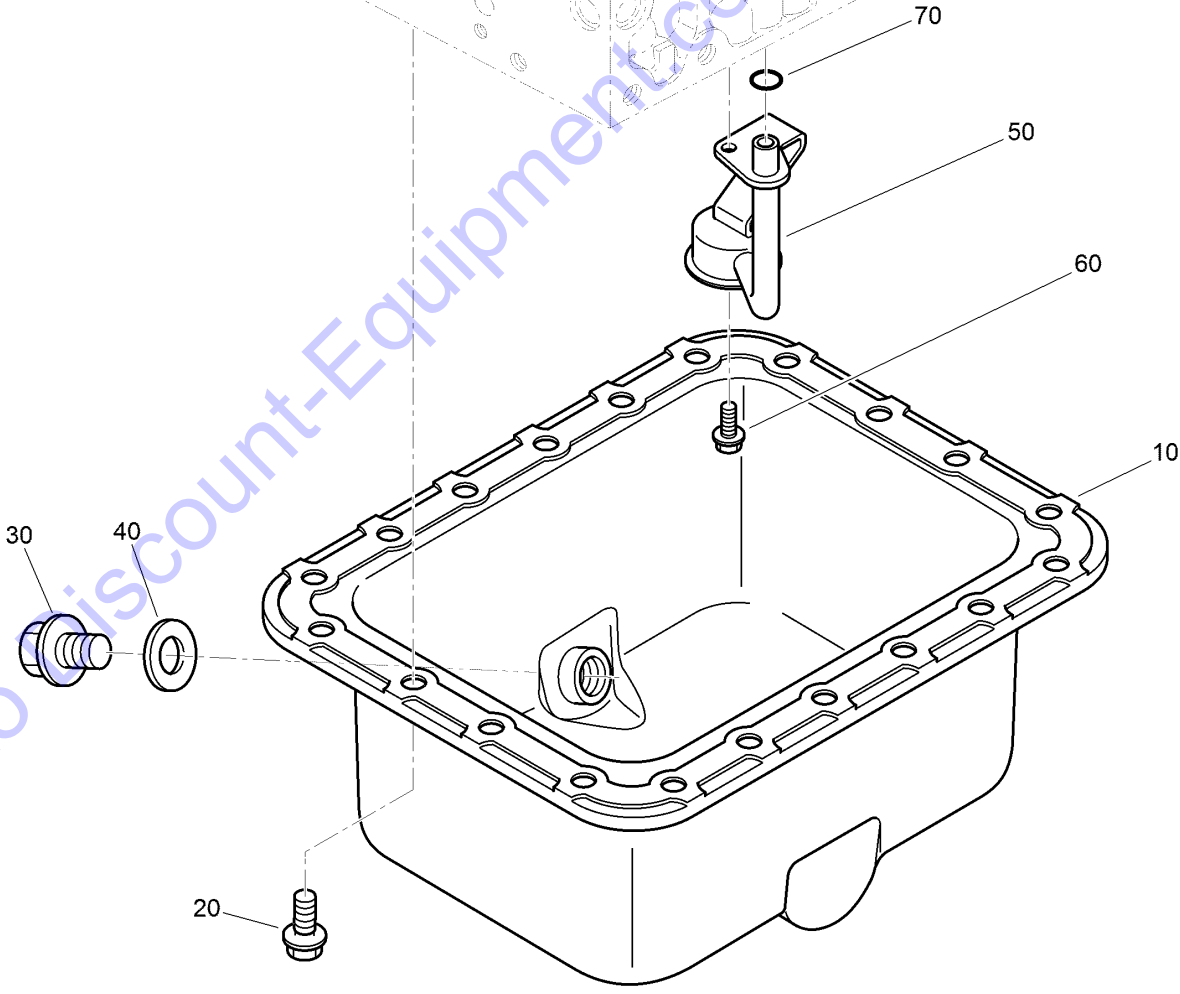
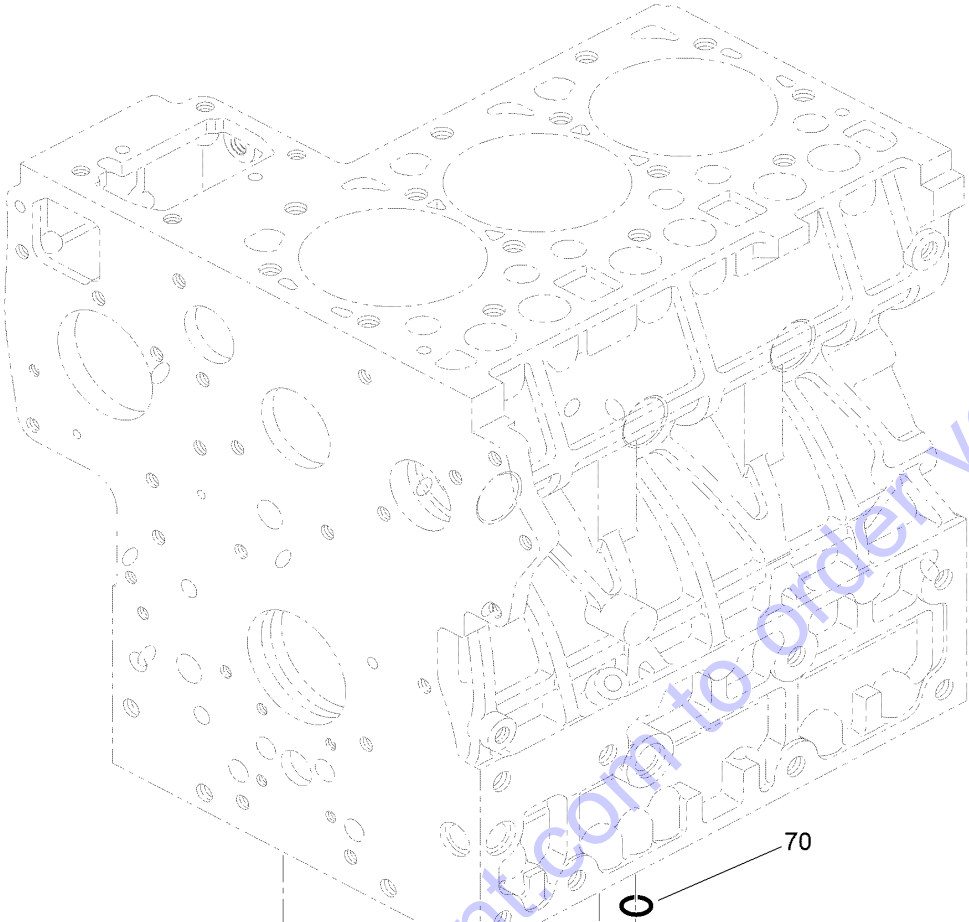


Crankcase Assembly (continued)

<i>Ref.</i>	<i>Part Number</i>	<i>Qty.</i>	<i>Description</i>	<i>Ref.</i>	<i>Part Number</i>	<i>Qty.</i>	<i>Description</i>
10	139-9772	1	Crankcase	80	98-7501	2	Cap-Sealing
20	98-7487	4	Plug	90	98-7503	2	Pin-Straight
30	98-7488	2	Plug	100	98-7504	2	Pin-Straight
40	98-7489	3	Plug	110	98-7505	1	Pin-Straight
50	98-9668	1	Plug-Expansion	120	98-7506	1	Pin-Pipe
60	98-7500	3	Cap-Sealing	130	100-9153	1	Pipe-Return, Water
70	139-4711	2	Pipe	140	139-9729	1	Pipe-Return, Oil
71	139-9578	2	Pipe-Return, Water				

Go to Discount-Equipment.com to order your parts

Oil Pan Assembly

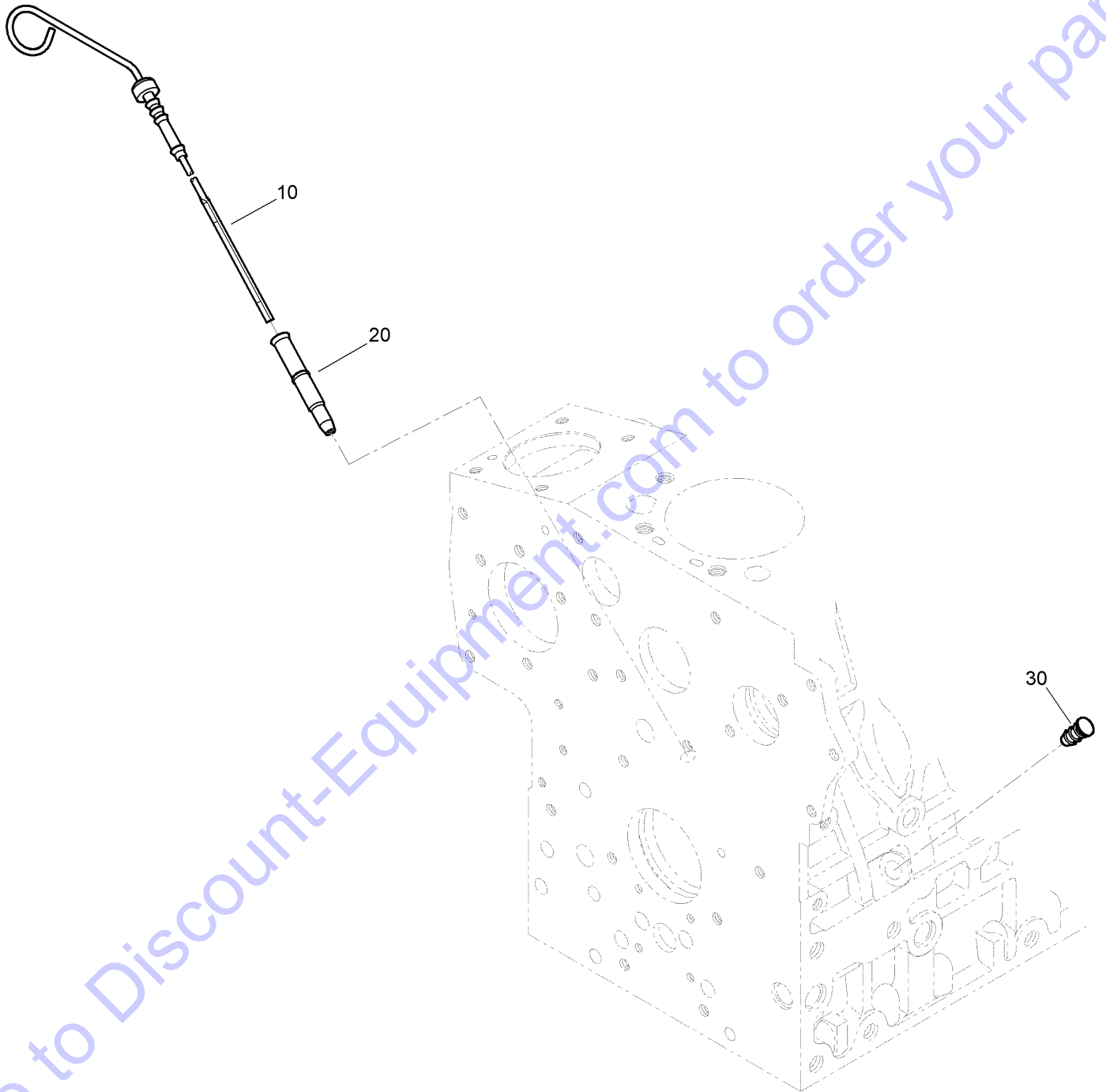


Oil Pan Assembly (continued)

<i>Ref.</i>	<i>Part Number</i>	<i>Qty.</i>	<i>Description</i>	<i>Ref.</i>	<i>Part Number</i>	<i>Qty.</i>	<i>Description</i>
10	139-4713	1	Pan-Oil	50	139-9658	1	Filter-Oil
20	139-9663	20	Bolt-Flange	60	115-8504	1	Bolt-Flange
30	114-8151	1	Plug-Drain	70	108-7054	1	O-Ring
40	AU87421317	1	Washer-Seal				

Go to Discount-Equipment.com to order your parts

Oil Dipstick and Guide Assembly

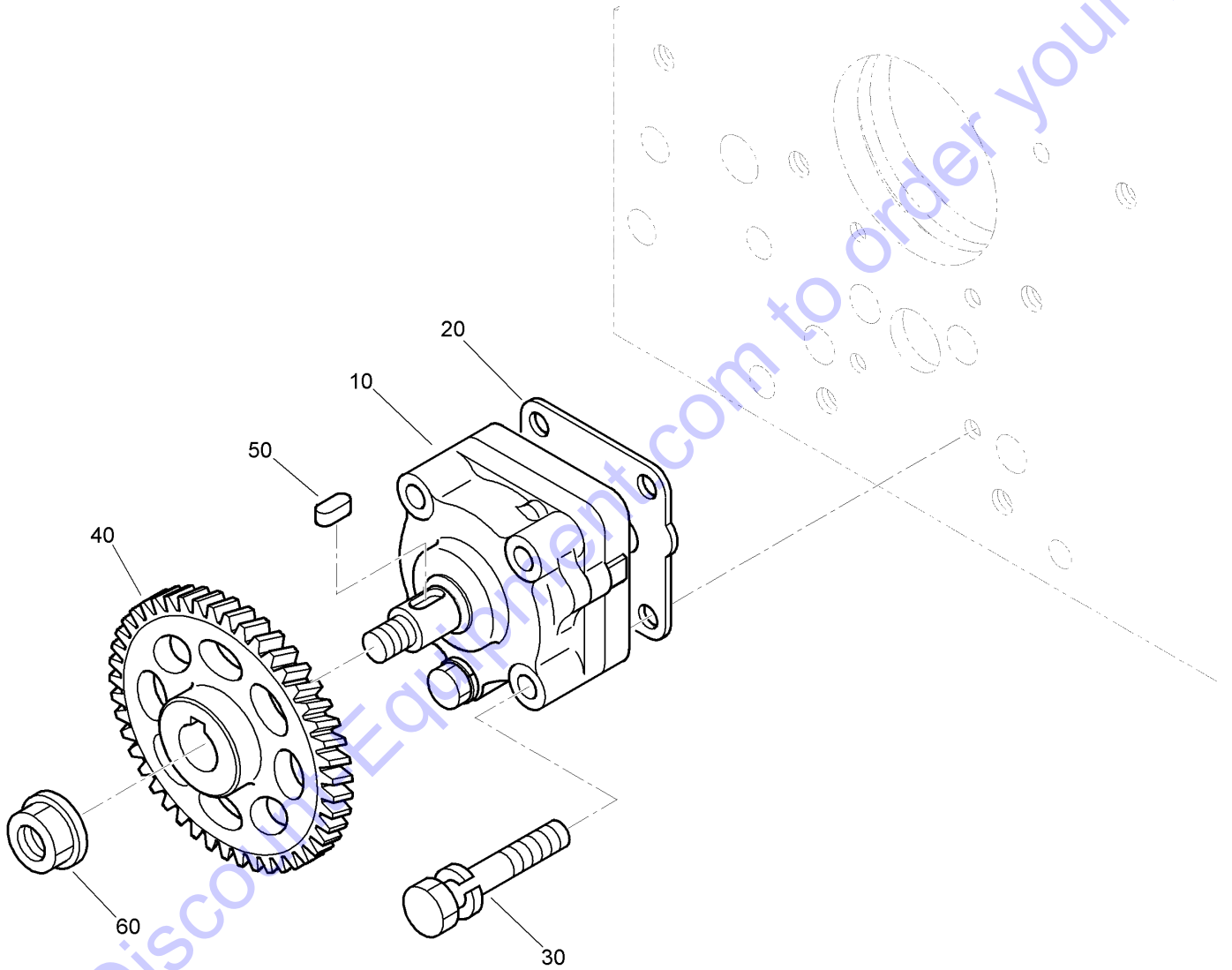


Oil Dipstick and Guide Assembly (continued)

<i>Ref.</i>	<i>Part Number</i>	<i>Qty.</i>	<i>Description</i>
10	130-1565	1	Gauge-Oil, Engine
20	105-4580	1	Guide-Gauge, Oil
30	139-9638	1	Plug-Gauge, Oil

Go to Discount-Equipment.com to order your parts

Oil Pump Assembly



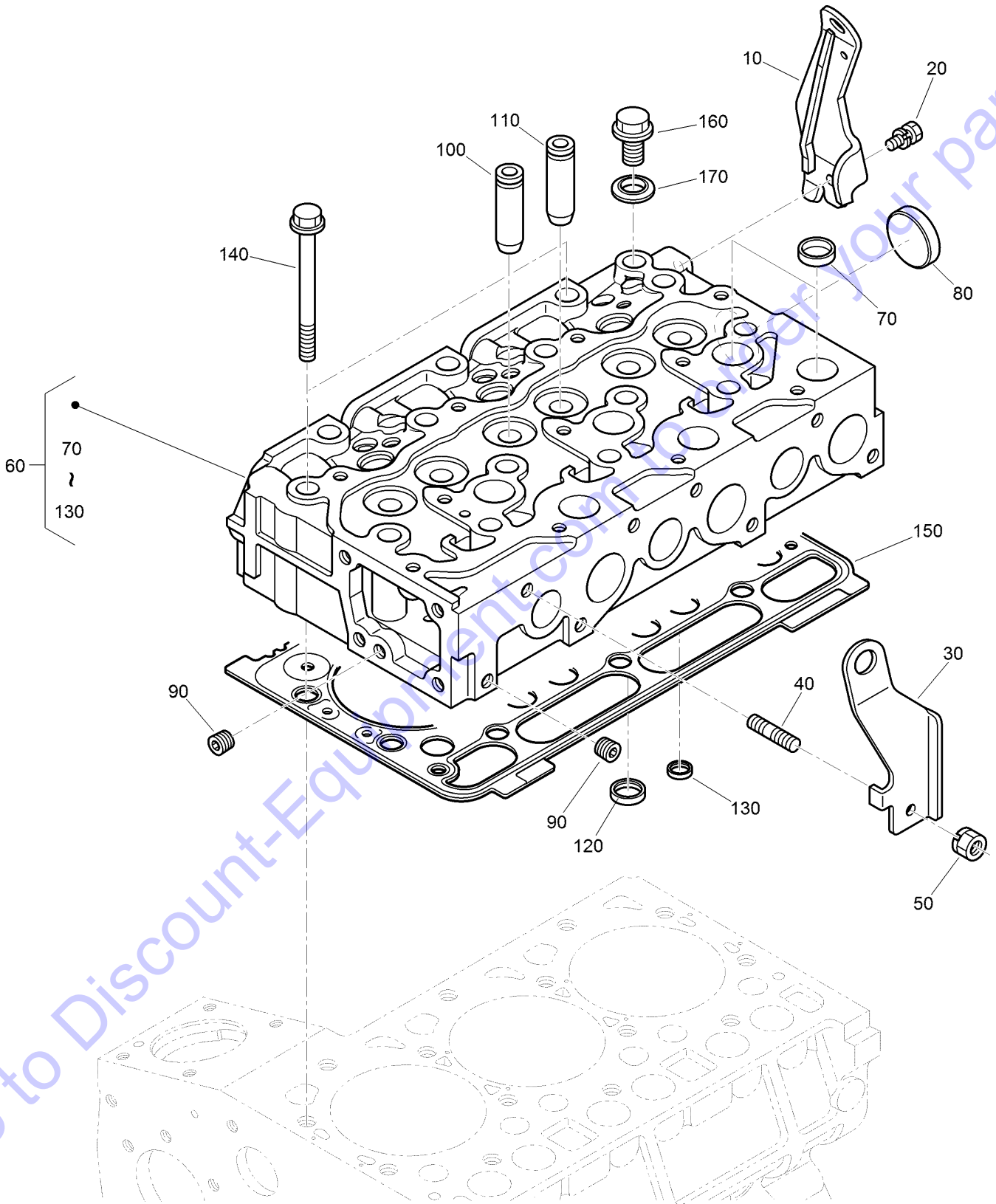
Go to DiscoParts.com to order your parts

Oil Pump Assembly (continued)

<i>Ref.</i>	<i>Part Number</i>	<i>Qty.</i>	<i>Description</i>	<i>Ref.</i>	<i>Part Number</i>	<i>Qty.</i>	<i>Description</i>
10	139-9628	1	Oil-Pump	40	130-1453	1	Gear-Drive, Oil Pump
20	139-9596	1	Gasket-Pump, Oil	50	98-7517	1	Key-Feather
30	125-9063	4	Bolt-Sems	60	139-9528	1	Nut

Go to Discount-Equipment.com to order your parts

Cylinder Head Assembly

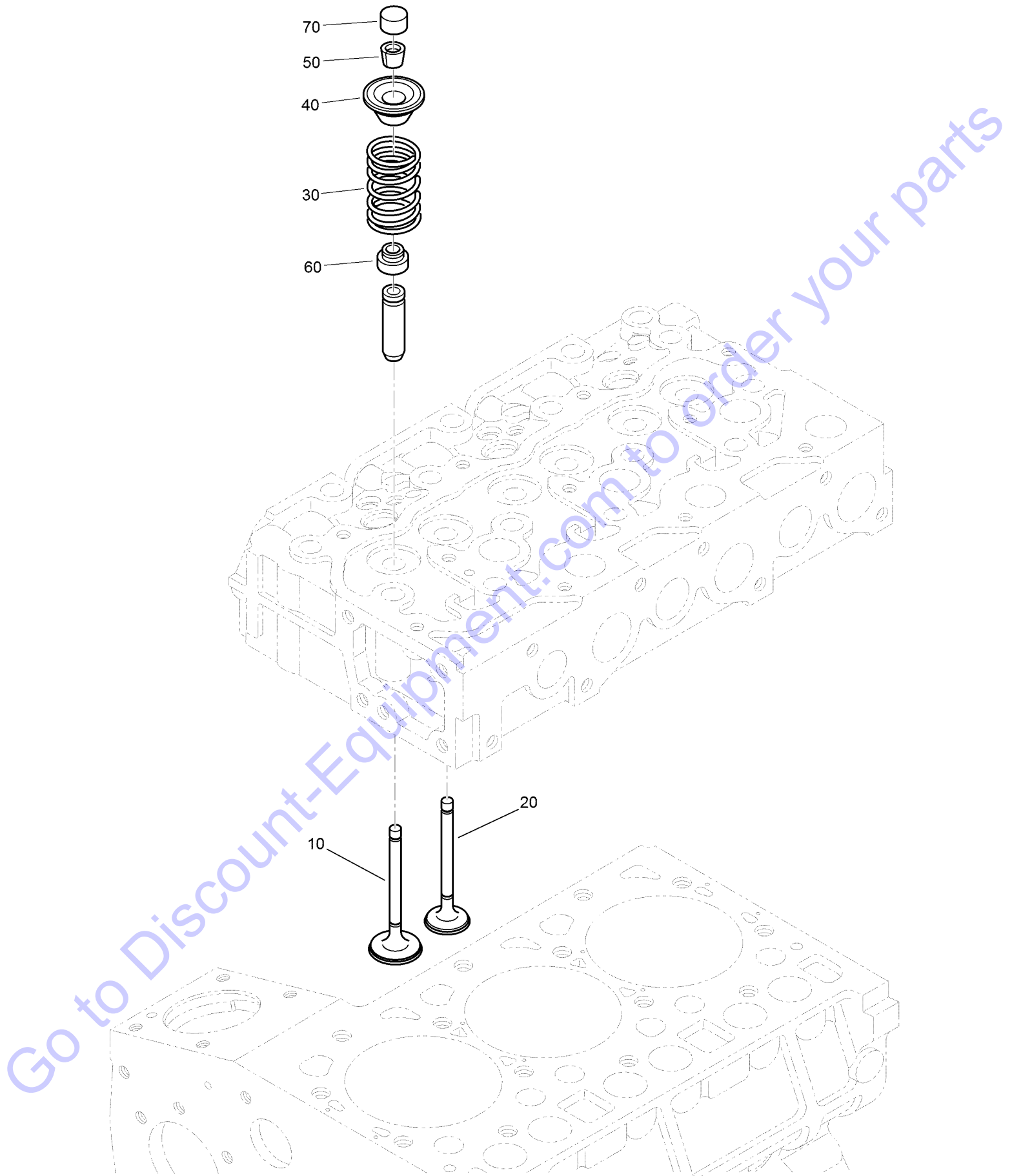


Cylinder Head Assembly (continued)

<i>Ref.</i>	<i>Part Number</i>	<i>Qty.</i>	<i>Description</i>	<i>Ref.</i>	<i>Part Number</i>	<i>Qty.</i>	<i>Description</i>
10	139-4705	1	Hook-Engine, Rear	120	139-9562	3	Seat-Valve, Inlet
20	98-7526	1	Bolt	130	139-9561	3	Seat-Valve, Exhaust
30	139-9756	1	Hook-Engine, Front	140	139-9580	14	Bolt-Head, Cylinder
40	139-9531	1	Bolt-Stud	150	139-9645	1	Gasket-Head, Cylinder
50	100-9288	1	Nut	150	139-9644	1	Gasket-Head, Cylinder
60	139-9777	1	Head-Cylinder	150	139-9646	1	Gasket-Head, Cylinder
70	139-9522	9	Plug-Cup	150	139-9647	1	Gasket-Head, Cylinder
80	139-9523	1	Cap-Sealing	150	139-9648	1	Gasket-Head, Cylinder
90	98-9687	2	Plug	160	98-7762	1	Plug
100	139-9665	3	Guide-Valve, Inlet	170	99-7590	2	Washer-Seal
110	139-9626	3	Guide-Valve, Exhaust				

Go to Discount-Equipment.com to order your parts

Inlet and Exhaust Manifold Assembly

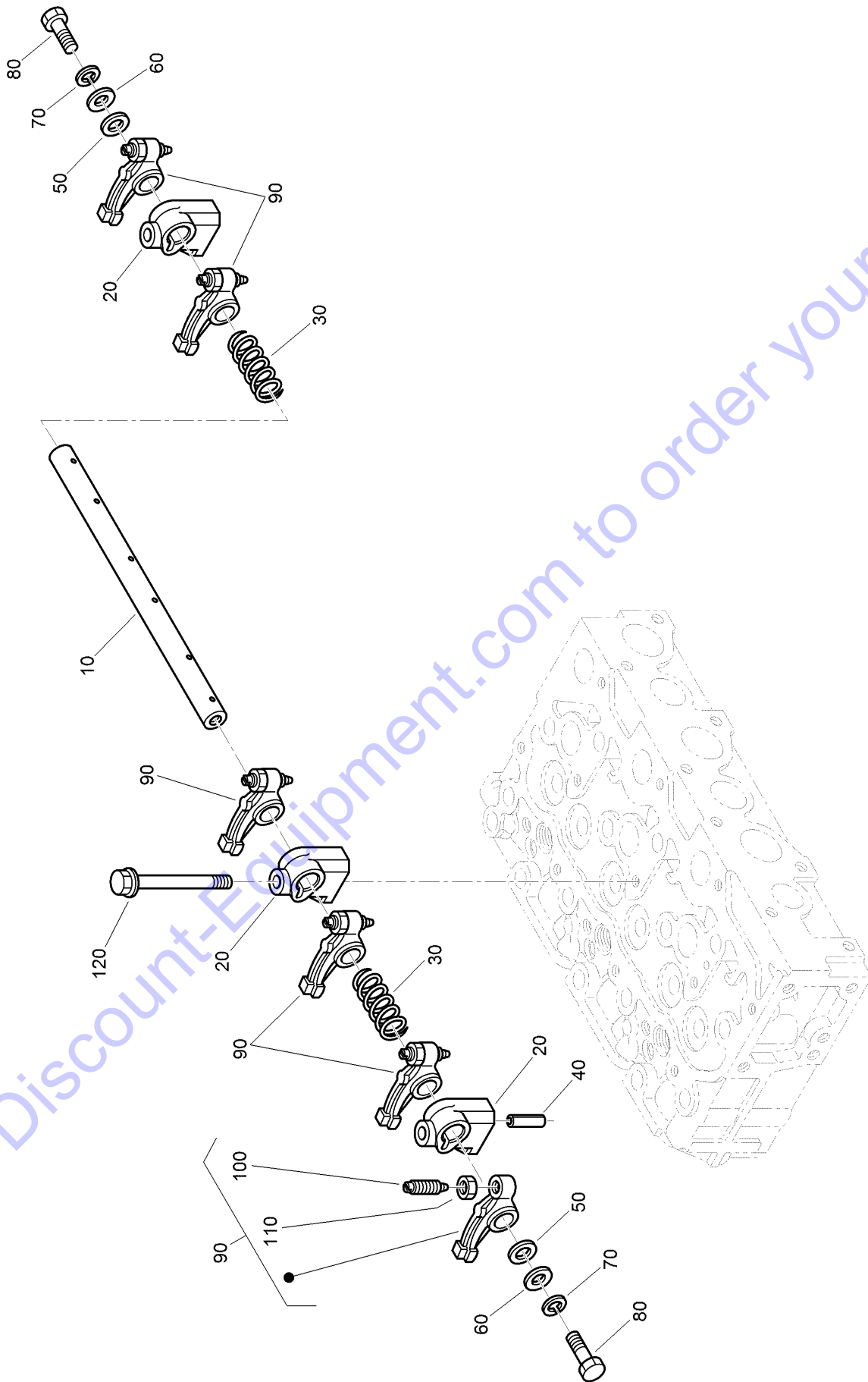


Inlet and Exhaust Manifold Assembly (continued)

<i>Ref.</i>	<i>Part Number</i>	<i>Qty.</i>	<i>Description</i>	<i>Ref.</i>	<i>Part Number</i>	<i>Qty.</i>	<i>Description</i>
10	139-9660	3	Valve-Inlet	50	139-9525	6	Collet-Valve, Spring
20	139-9661	3	Valve-Exhaust	60	139-9524	6	Seal-Stem, Valve
30	130-1450	6	Spring-Valve	70	130-1451	6	Cap-Valve
40	98-7794	6	Retainer-Spring, Valve				

Go to Discount-Equipment.com to order your parts

Rocker Arm Assembly

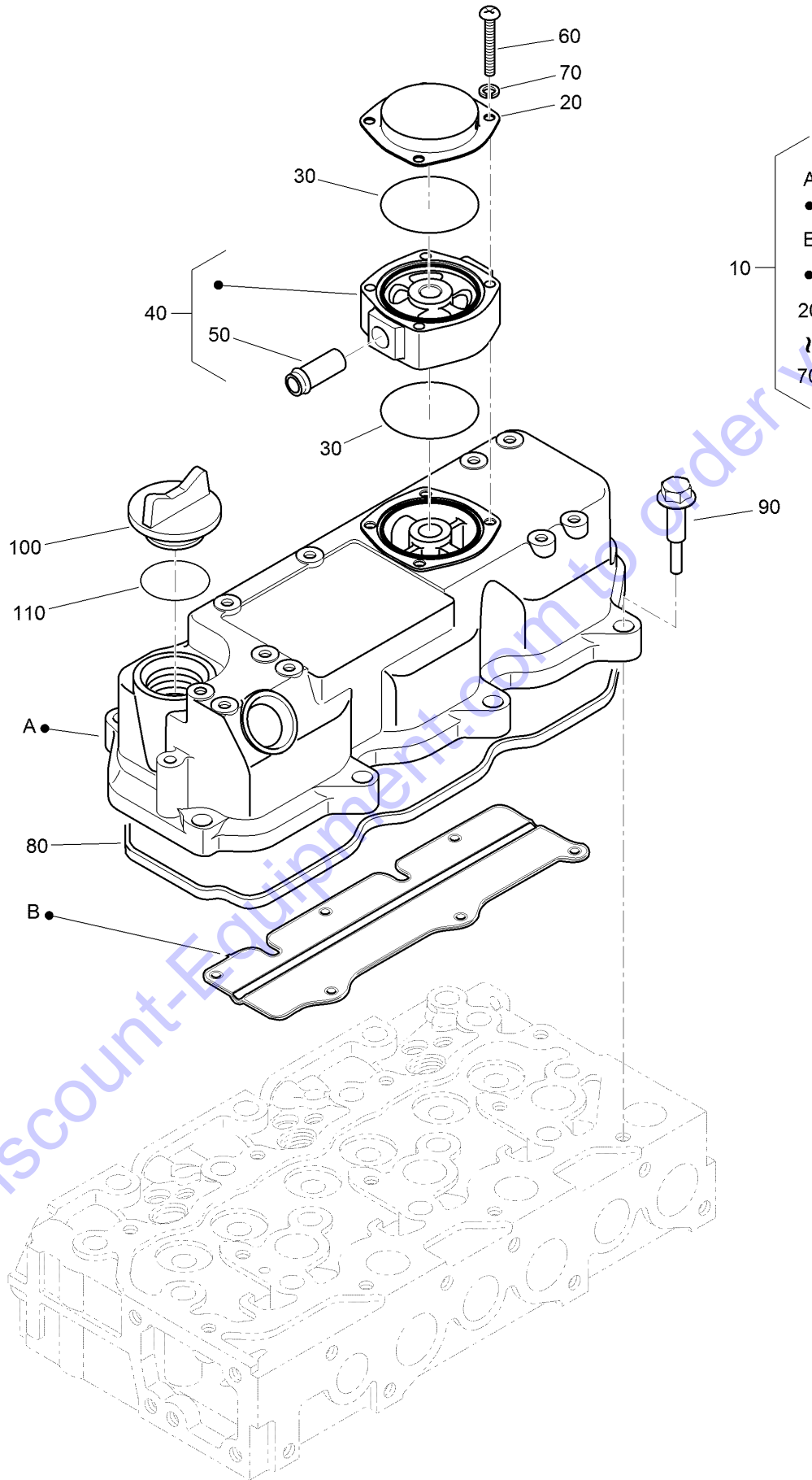


Rocker Arm Assembly (continued)

<i>Ref.</i>	<i>Part Number</i>	<i>Qty.</i>	<i>Description</i>	<i>Ref.</i>	<i>Part Number</i>	<i>Qty.</i>	<i>Description</i>
10	139-9592	1	Shaft-Arm, Rocker	70	131-9579	2	Washer-Spring, Lock
20	139-9526	3	Bracket-Arm, Rocker	80	98-7884	2	Bolt
30	98-7807	2	Spring-Arm, Rocker	90	98-7809	6	Rocker Arm ASM
40	98-7805	1	Pin-Spring	100	130-1452	6	Screw-Adjusting
50	98-7806	2	Washer	110	98-7811	6	Nut
60	120-5832	2	Washer-Plain	120	108-7091	3	Bolt-Flange

Go to Discount-Equipment.com to order your parts

Cylinder Head Cover Assembly

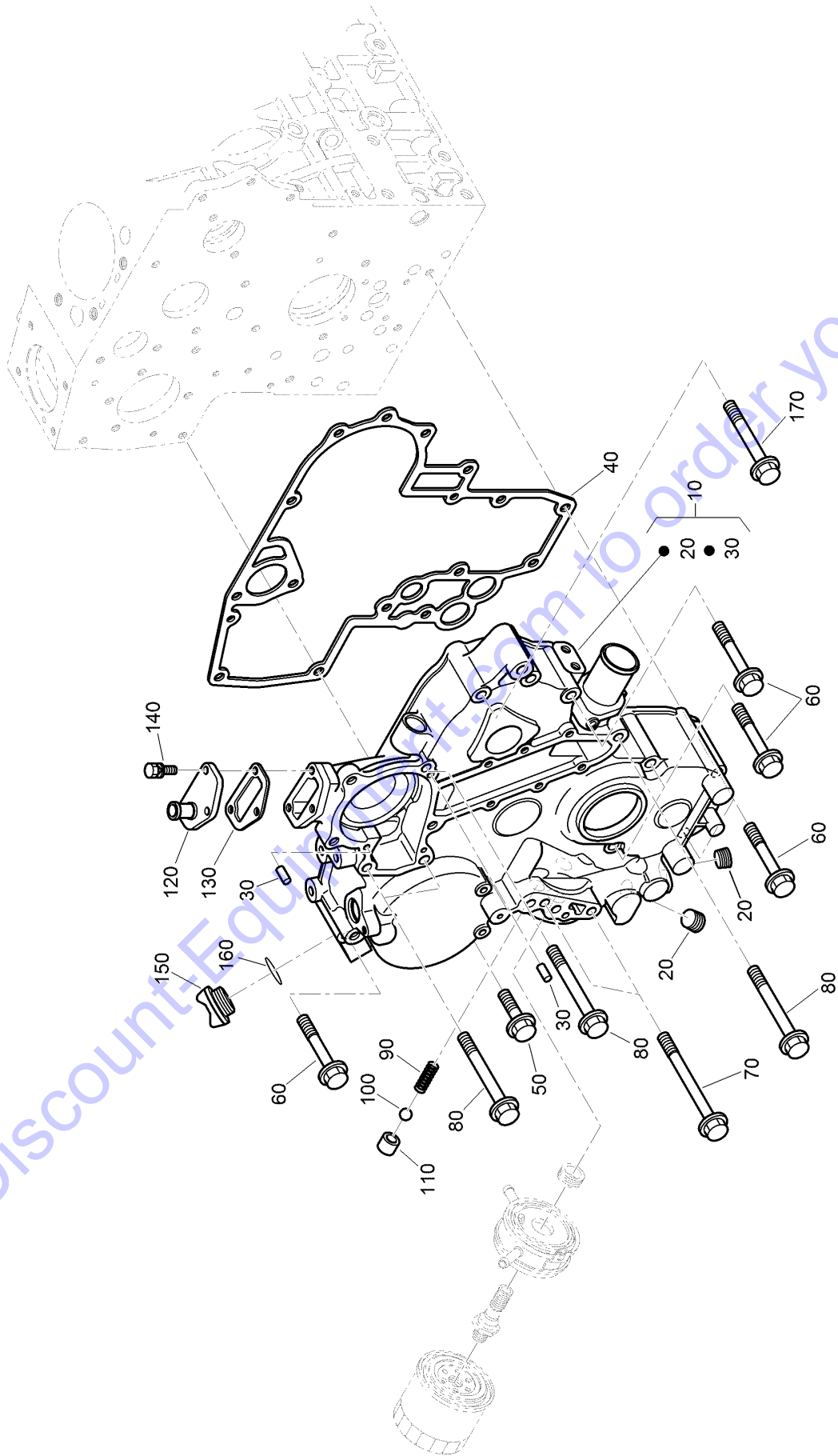


Cylinder Head Cover Assembly (continued)

<i>Ref.</i>	<i>Part Number</i>	<i>Qty.</i>	<i>Description</i>	<i>Ref.</i>	<i>Part Number</i>	<i>Qty.</i>	<i>Description</i>
10	139-9761	1	Head Cover ASM	70	127-0408	4	Washer-Lock, Spring
20	139-9643	1	Cover-Breather	80	139-9593	1	Gasket-Cover, Head
30	108-7061	2	O Ring-Breather	90	108-7063	8	Bolt
40	139-9747	1	Spacer-Breather	100	98-9449	1	Plug-Filler, Oil
50	139-9578	1	Pipe-Return, Water	110	108-7064	1	O-Ring
60	139-9508	4	Screw-Phillips, Pan Head				

Go to Discount-Equipment.com to order your parts

Gear Case Assembly

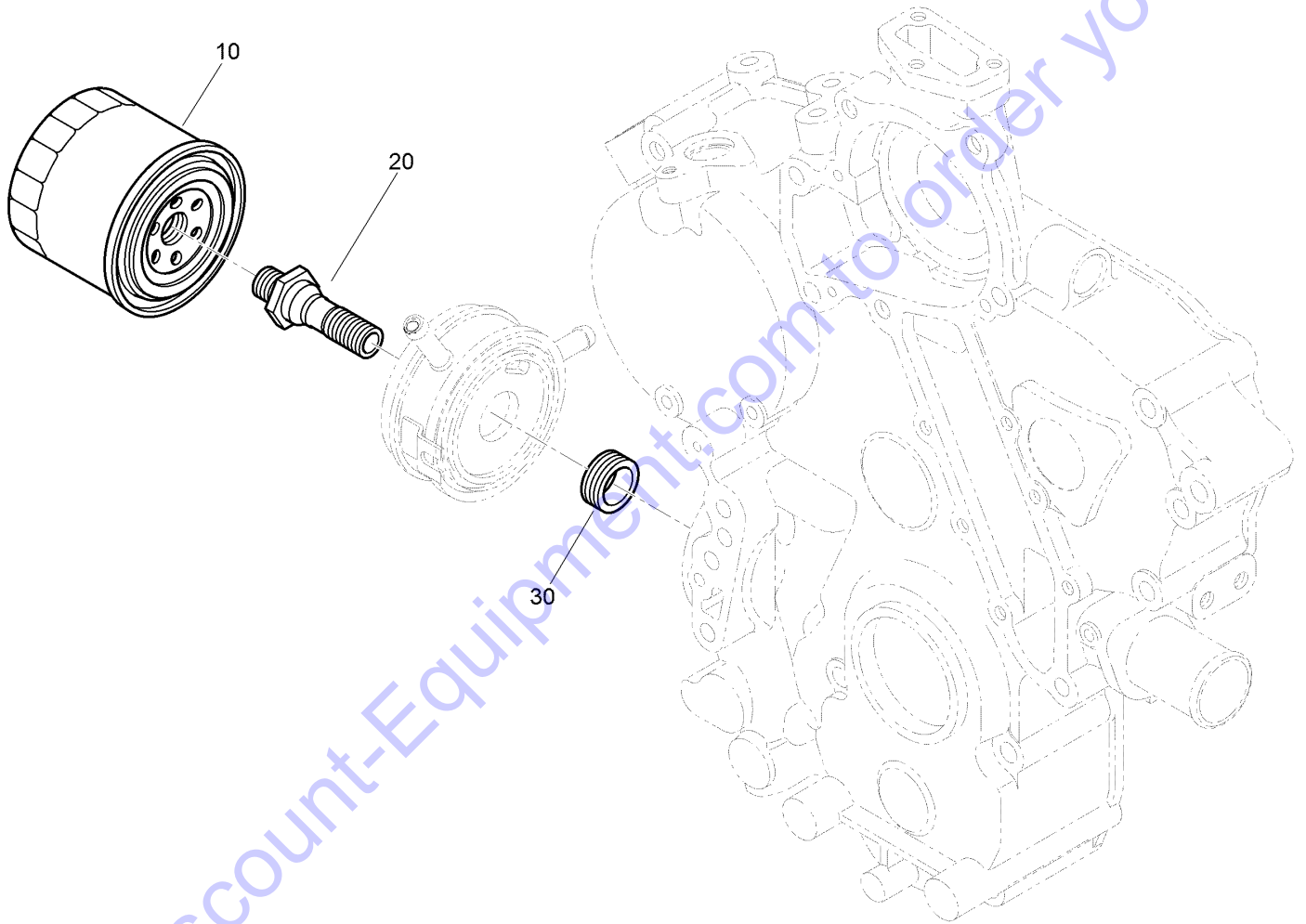


Gear Case Assembly (continued)

<i>Ref.</i>	<i>Part Number</i>	<i>Qty.</i>	<i>Description</i>	<i>Ref.</i>	<i>Part Number</i>	<i>Qty.</i>	<i>Description</i>
10	139-9629	1	Case-Gear	100	139-9533	1	Seat-Valve
20	127-0425	2	Plug	110	98-7565	1	Ball
30	98-7504	2	Pin-Straight	120	139-9534	1	Flange-Return, Water
40	139-9727	1	Gasket-Case, Gear	130	139-9598	1	Gasket-Flange, Return
50	108-7085	1	Bolt-Flange	140	98-7568	3	Bolt
60	139-9602	6	Bolt-Sems	150	98-9449	1	Plug-Filler, Oil
70	139-9654	2	Bolt-Sems	160	108-7064	1	O-Ring
80	115-8520	4	Bolt-Flange	170	139-9543	1	Bolt-Hex
90	139-9529	1	Spring				

Go to Discount-Equipment.com to order your parts

Oil Filter Cartridge Assembly



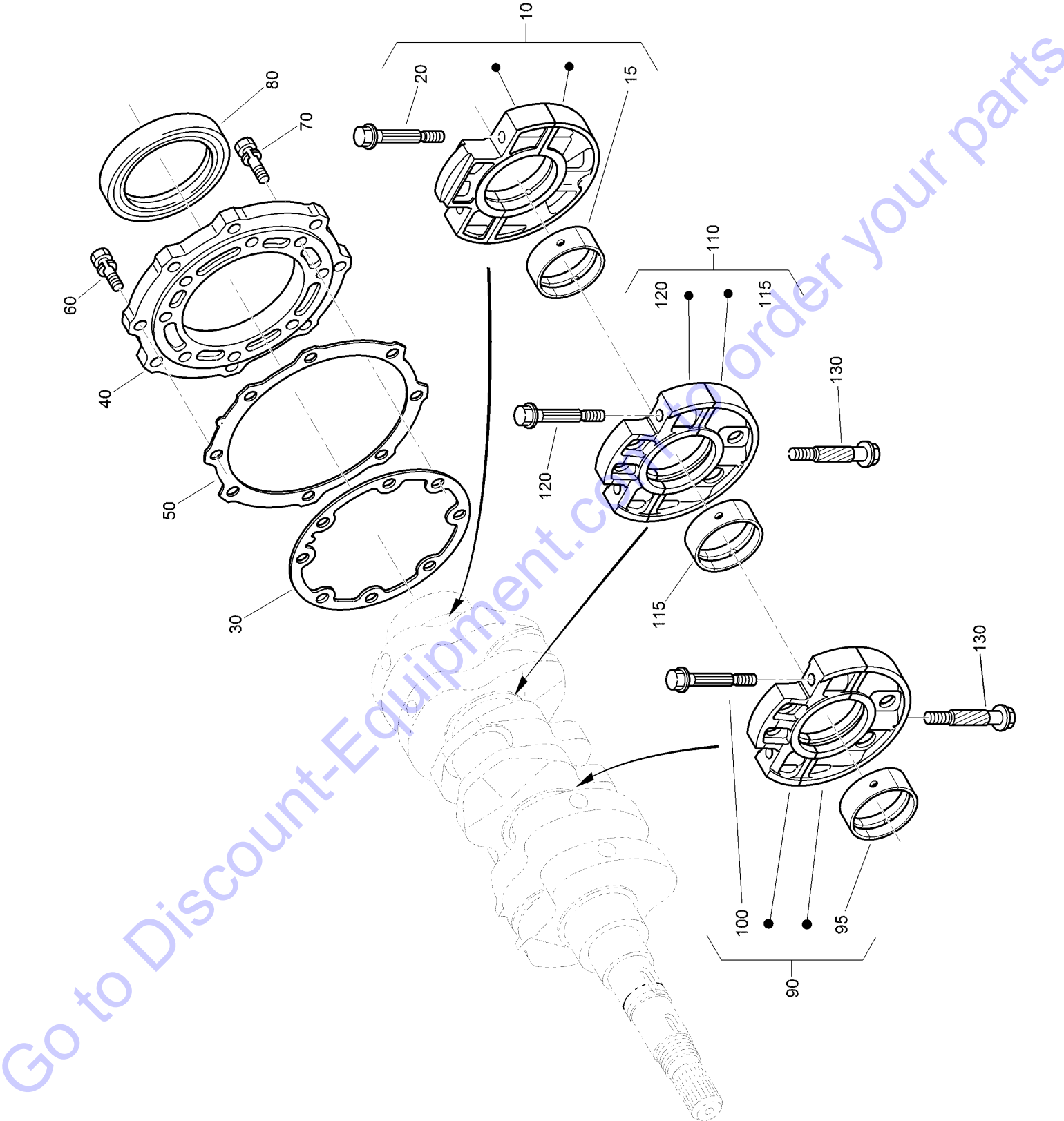
Go to Discount-Equipment.com to order your parts

Oil Filter Cartridge Assembly (continued)

<i>Ref.</i>	<i>Part Number</i>	<i>Qty.</i>	<i>Description</i>
10	104-5169	1	Filter-Oil
20	139-9641	1	Connector
30	139-9668	1	Collar

Go to Discount-Equipment.com to order your parts

Main Bearing Case Assembly

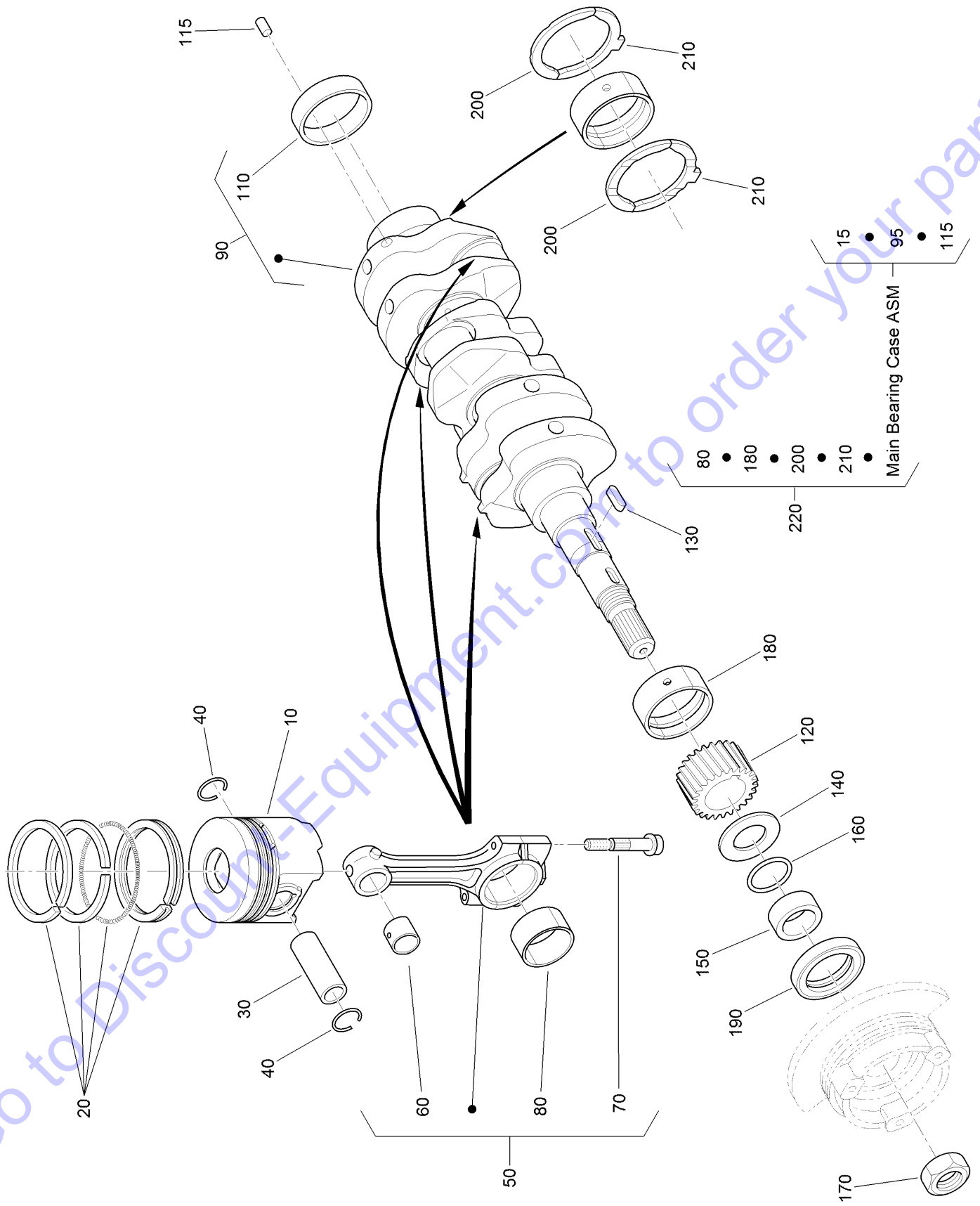


Main Bearing Case Assembly (continued)

<i>Ref.</i>	<i>Part Number</i>	<i>Qty.</i>	<i>Description</i>	<i>Ref.</i>	<i>Part Number</i>	<i>Qty.</i>	<i>Description</i>
10	139-9610	1	Wheel Bearing Case ASM	80	139-9542	1	Seal-Oil
10	139-9798	3	Piston (05)	90	139-9606	1	Case-Bearing, Main
15	139-9614	1	Metal-Crankshaft	95	139-9614	1	Metal-Crankshaft
15	108-7068	1	Metal-Crankshaft (-0.20Mm)	95	108-7068	1	Metal-Crankshaft (-0.20Mm)
15	108-7069	1	Metal-Crankshaft (-0.40Mm)	95	108-7069	1	Metal-Crankshaft (-0.40Mm)
20	108-7066	2	Bolt-Case, Bearing	100	108-7066	2	Bolt-Case, Bearing
30	98-7435	1	Gasket-Case, Bearing	110	139-9607	1	Main Bearing Case ASM
40	139-9659	1	Cover-Case, Bearing	115	139-9614	1	Metal-Crankshaft
50	98-7437	1	Gasket-Case Cover, Bearing	115	108-7068	1	Metal-Crankshaft (-0.20Mm)
60	98-7438	8	Bolt	115	108-7069	1	Metal-Crankshaft (-0.40Mm)
70	98-7439	8	Bolt	120	108-7066	2	Bolt-Case, Bearing
				130	98-7444	2	Bolt-Case, Bearing

Go to Discount-Equipment.com to order your parts

Piston and Crankshaft Assembly

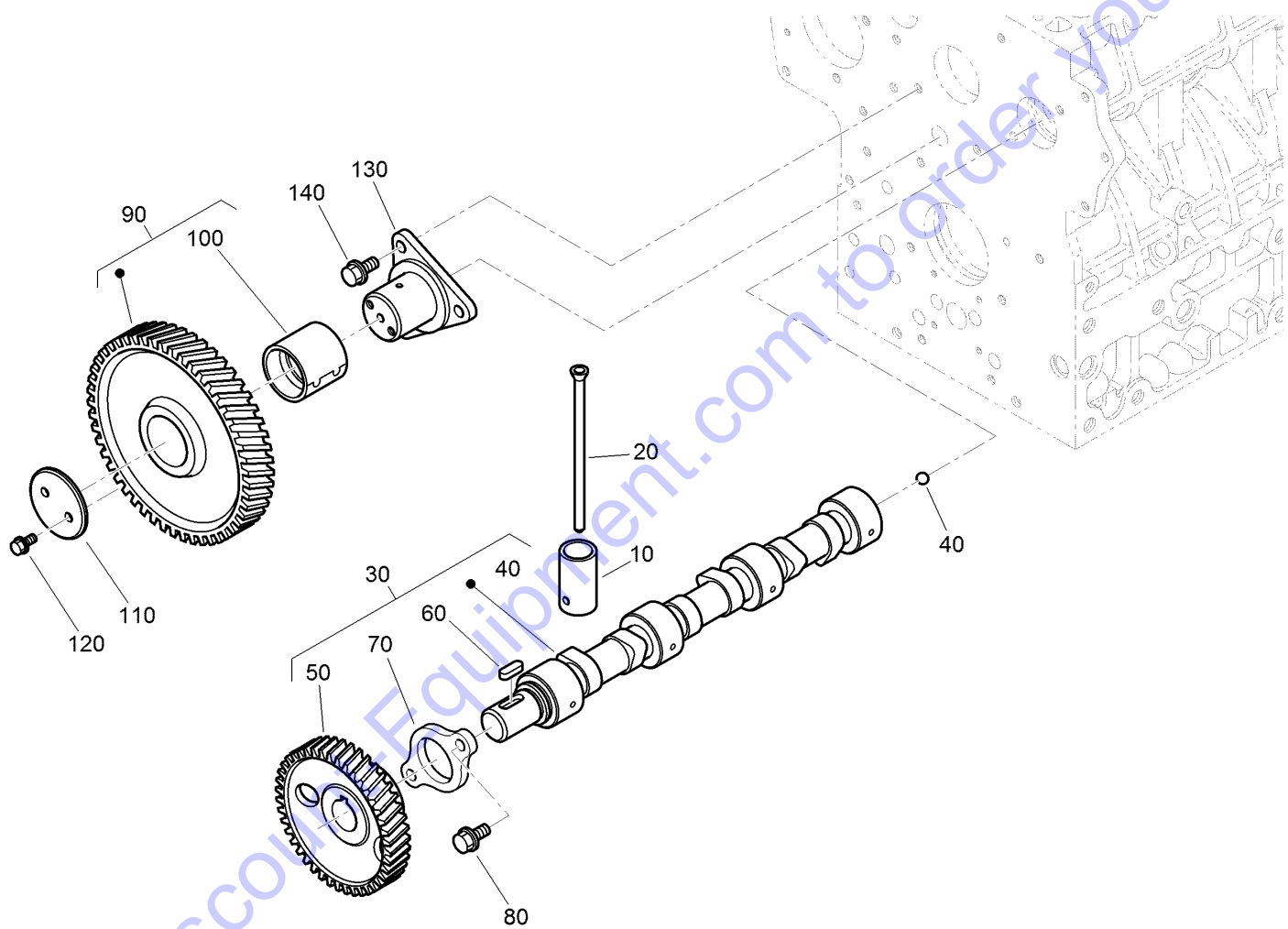


Piston and Crankshaft Assembly (continued)

<i>Ref.</i>	<i>Part Number</i>	<i>Qty.</i>	<i>Description</i>	<i>Ref.</i>	<i>Part Number</i>	<i>Qty.</i>	<i>Description</i>
10	139-9799	3	Piston (05)	150	98-7477	1	Collar-Crankshaft
20	139-9674	3	Piston Ring ASM	160	98-7478	1	O-Ring
20	139-9675	3	Piston Ring ASM	170	98-7479	1	Nut-Crankshaft
30	139-9594	3	Pin-Piston	180	139-9613	1	Metal-Crankshaft
40	139-9634	6	Circlip-Internal	180	108-7076	1	Metal-Crankshaft (-0.20Mm)
50	130-1470	3	Connecting Rod ASM	180	108-7077	1	Metal-Crankshaft (-0.40Mm)
60	139-9676	3	Bushing-Pin, Piston	190	139-4709	1	Seal-Oil
70	139-9694	6	Bolt-Rod, Connecting	200	139-9615	2	Metal-Side
80	139-9575	3	Metal-Crankpin	200	108-7079	2	Metal-Side (+0.20Mm)
80	139-9576	3	Metal-Crankpin (02)	200	108-7080	2	Metal-Side (+0.40Mm)
80	139-9577	3	Metal-Crankpin (04)	210	139-9616	2	Metal-Side
90	139-9653	1	Crankshaft	210	108-7082	2	Metal-Side (+0.20Mm)
110	98-7474	1	Sleeve-Crankshaft	210	108-7083	2	Metal-Side (+0.40Mm)
115	139-9595	1	Pin-Straight	220	139-9655	1	Engine Metal Kit
120	139-4712	1	Gear-Crankshaft	220	108-7076	1	Metal-Crankshaft (-0.20Mm)
130	115-8552	1	Key-Feather	220	139-9656	1	Engine Metal Kit
140	98-7476	1	Slinger-Oil				

Go to Discount-Equipment.com to order your parts

Cam Shaft and Idle Gear Assembly

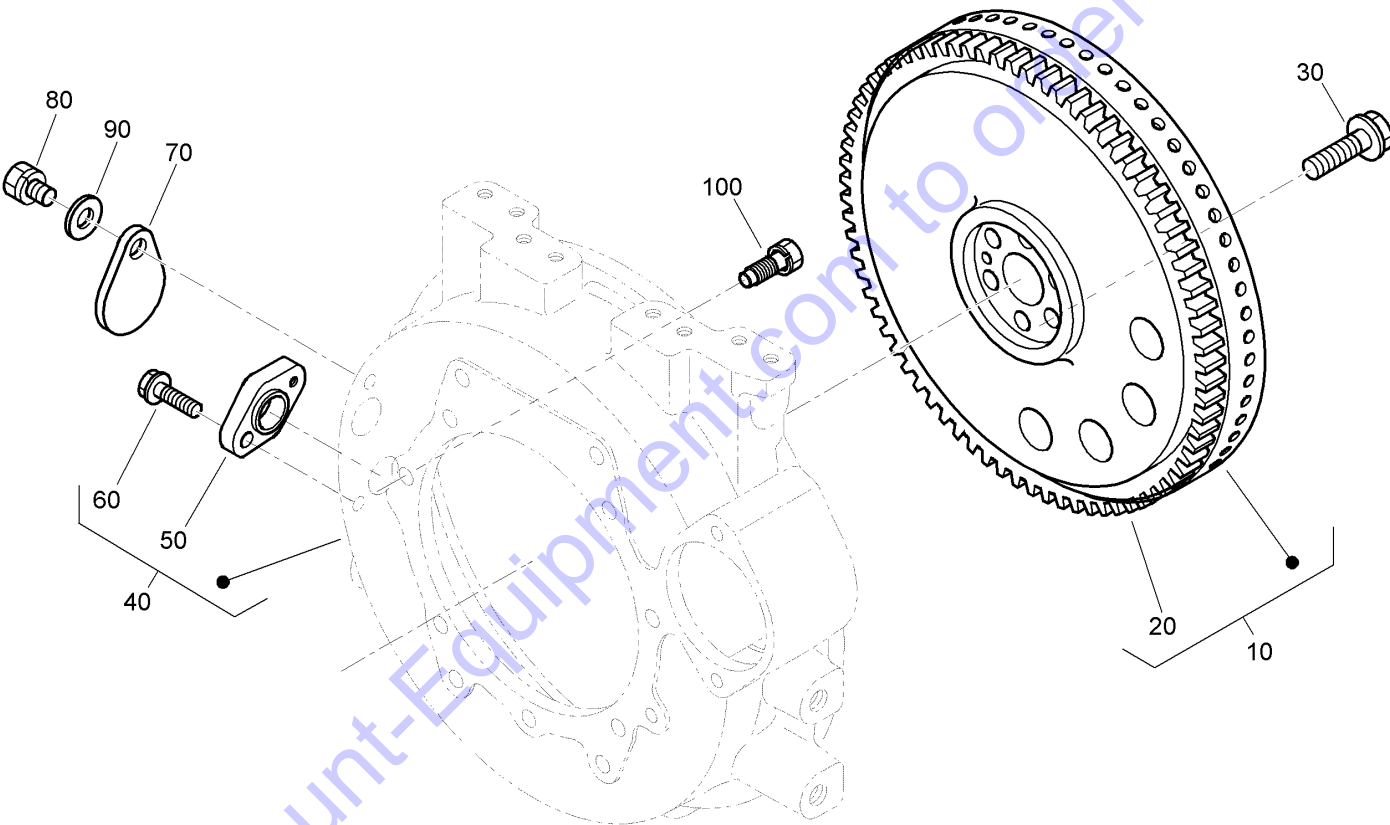


Cam Shaft and Idle Gear Assembly (continued)

<i>Ref.</i>	<i>Part Number</i>	<i>Qty.</i>	<i>Description</i>	<i>Ref.</i>	<i>Part Number</i>	<i>Qty.</i>	<i>Description</i>
10	99-9999	6	Narrow Bucket ASM	80	130-1159	2	Bolt-Flange
20	139-9611	6	Rod-Push	90	139-4710	1	Gear-Idle
30	139-9652	1	Camshaft ASM	100	130-1559	1	Bushing-Gear, Idle
40	110-3729	1	Ball	110	130-1556	1	Collar-Gear, Idle
50	139-9612	1	Gear-Camshaft	120	99-9999	2	Narrow Bucket ASM
60	98-7451	1	Key-Feather	130	130-1332	1	Shaft-Gear, Idle
70	139-9527	1	Stopper-Camshaft	140	130-1159	3	Bolt-Flange

Go to Discount-Equipment.com to order your parts

Flywheel Assembly



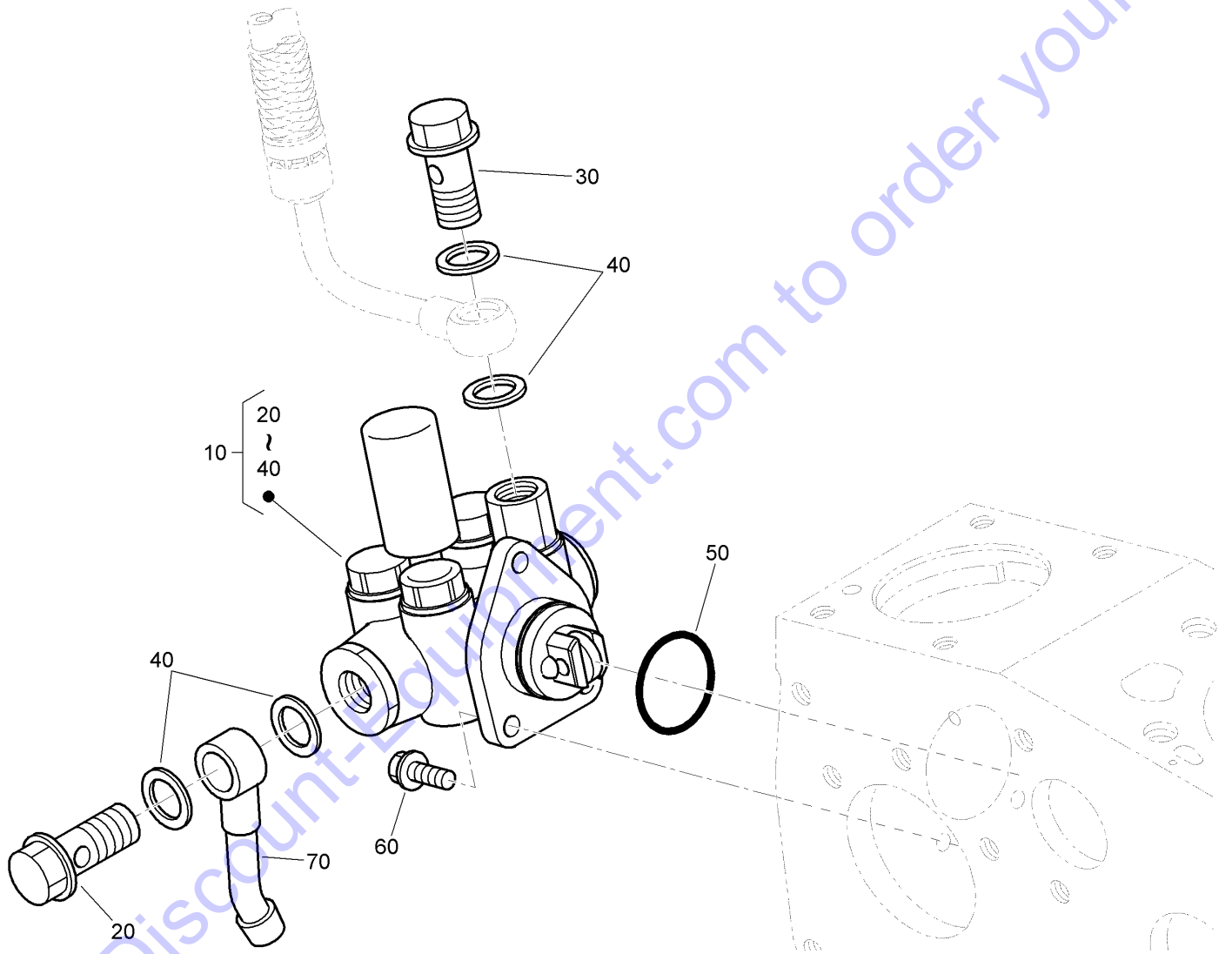
Go to Discount-Equipment.com to order your parts

Flywheel Assembly (continued)

<i>Ref.</i>	<i>Part Number</i>	<i>Qty.</i>	<i>Description</i>	<i>Ref.</i>	<i>Part Number</i>	<i>Qty.</i>	<i>Description</i>
10	139-9763	1	Flywheel	60	115-8583	1	Bolt-Flange
20	139-9597	1	Gear-Ring	70	100-2177	1	Cover
30	139-9671	6	Bolt-Flywheel	80	98-7884	1	Bolt
40	139-9728	1	Housing-Flywheel	90	131-9579	1	Washer-Spring, Lock
50	139-9743	1	Bracket-Sensor	100	139-9541	11	Bolt

Go to Discount-Equipment.com to order your parts

Fuel Pump (Mechanical) Assembly



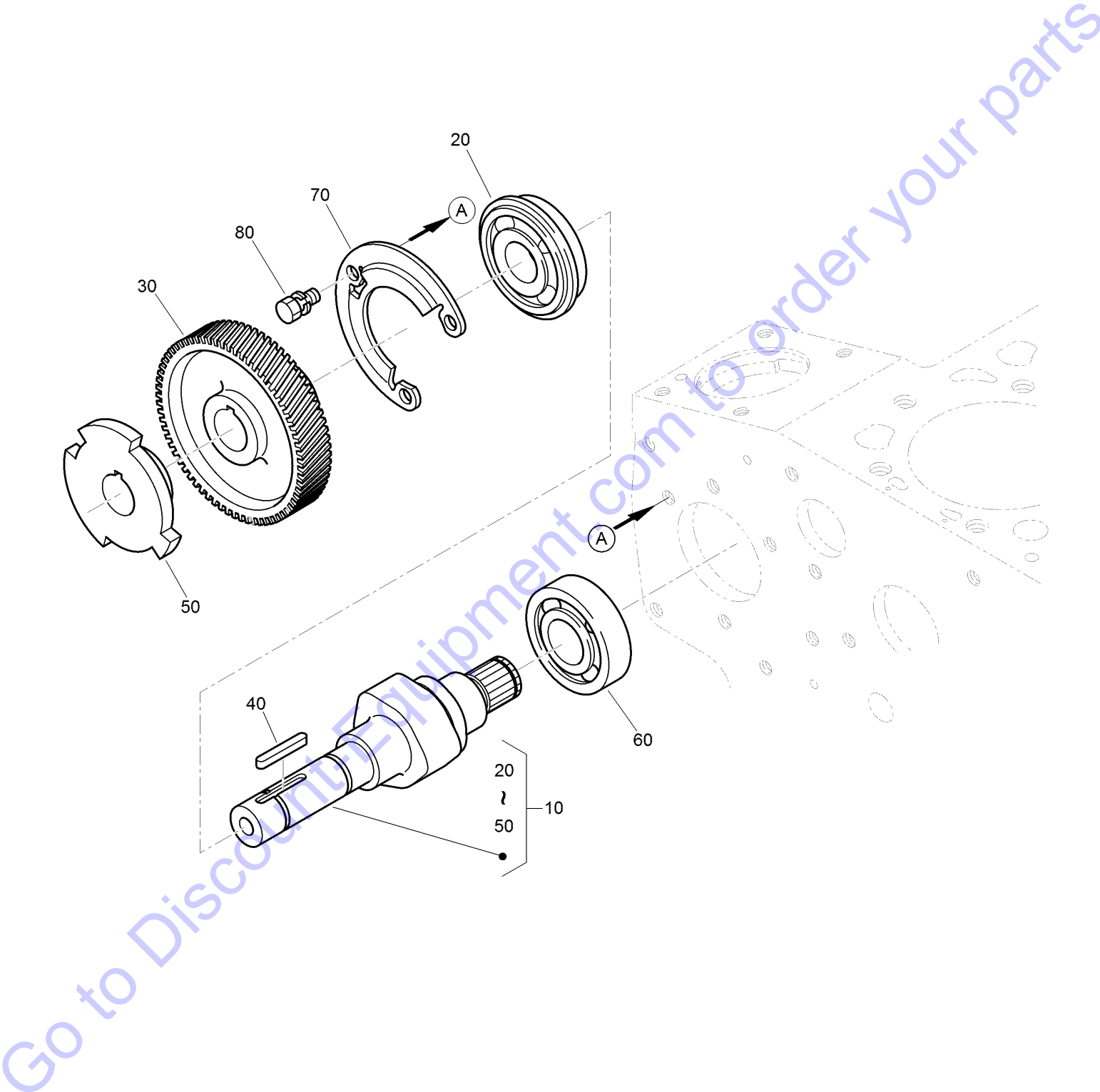
Go to Discount-Boiler.com to order your parts

Fuel Pump (Mechanical) Assembly (continued)

<i>Ref.</i>	<i>Part Number</i>	<i>Qty.</i>	<i>Description</i>	<i>Ref.</i>	<i>Part Number</i>	<i>Qty.</i>	<i>Description</i>
10	139-9740	1	Fuel Pump ASM	50	139-9581	1	O-Ring
20	139-9723	1	Bolt-Joint	60	127-0403	3	Bolt-Flange
30	139-9724	1	Bolt-Joint	70	139-9530	1	Pipe
40	139-9705	4	Gasket-Joint, Pipe				

Go to Discount-Equipment.com to order your parts

Fuel Camshaft Assembly



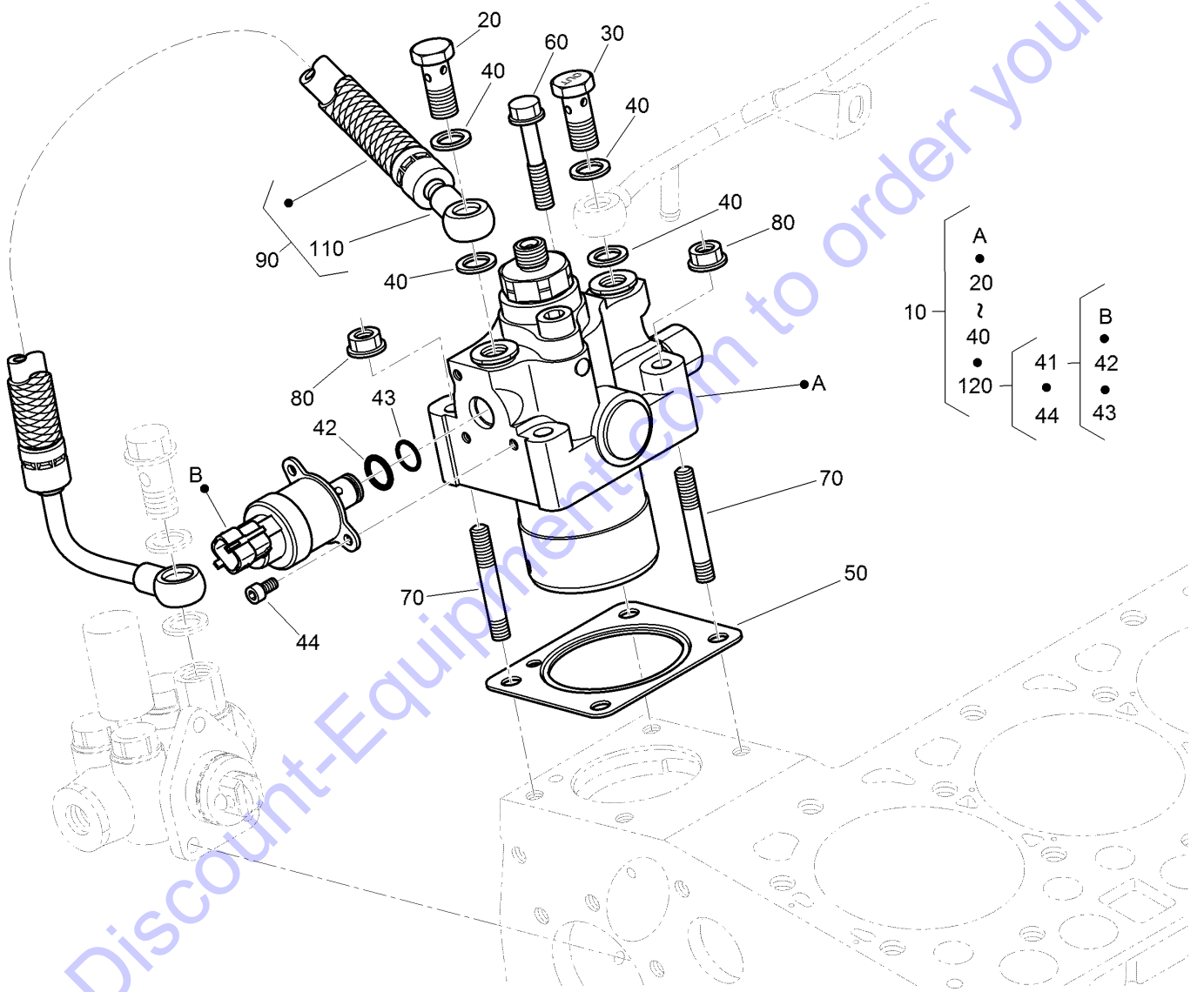
Fuel Camshaft Assembly (continued)

<i>Ref.</i>	<i>Part Number</i>	<i>Qty.</i>	<i>Description</i>	<i>Ref.</i>	<i>Part Number</i>	<i>Qty.</i>	<i>Description</i>
10	139-9762	1	Fuel Camshaft ASM	50	139-9732	1	Wheel
20	139-9677	1	Bearing-Ball	60	139-9664	1	Bearing-Ball
30	139-9708	1	Gear	70	139-9701	1	Stopper-Camshaft, Fuel
40	139-9513	1	Key-Feather	80	AU126123A1	3	Bolt

Go to Discount-Equipment.com to order your parts

Supply Pump Assembly

Go to Discount-Equipment.com to order your parts

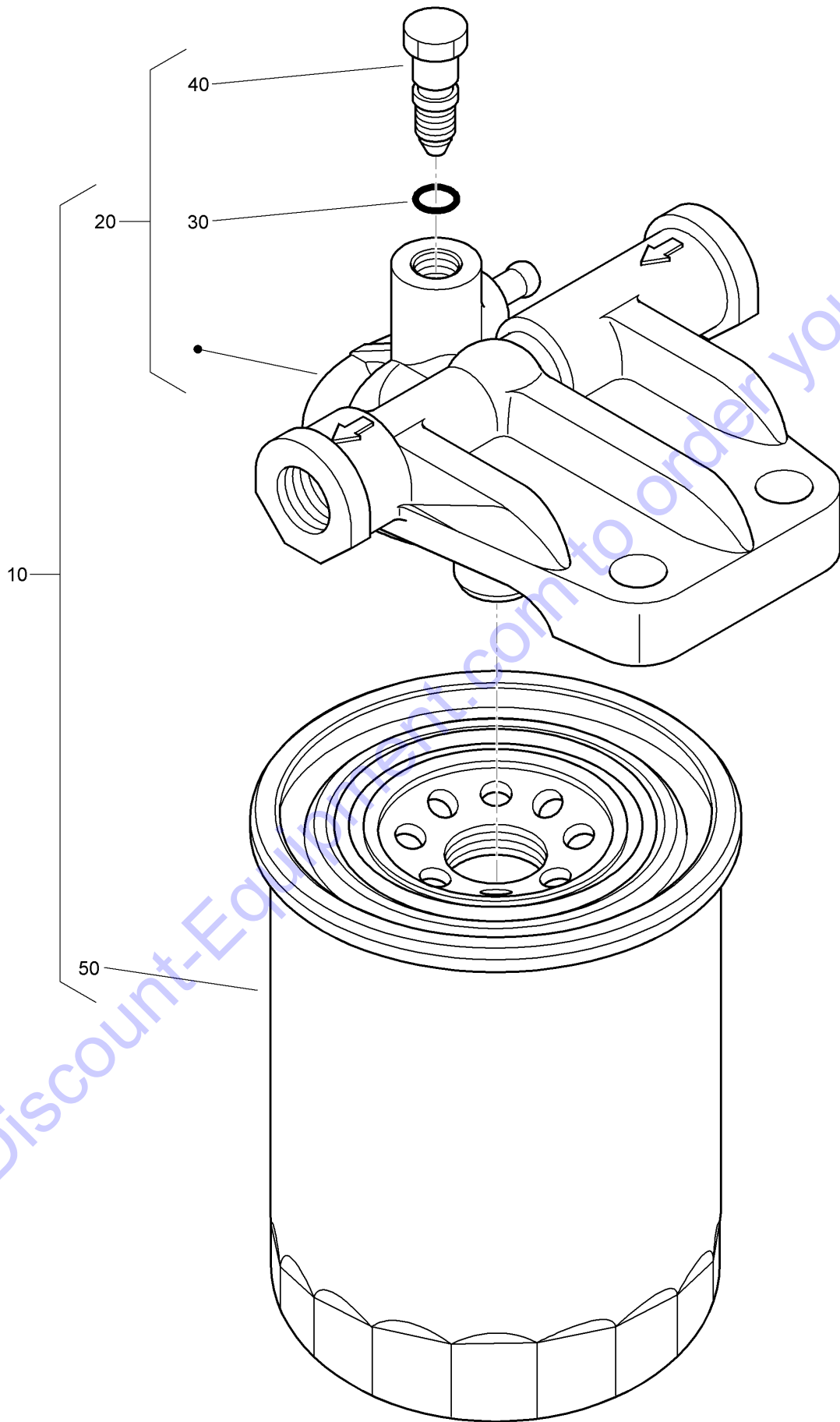


Supply Pump Assembly (continued)

<i>Ref.</i>	<i>Part Number</i>	<i>Qty.</i>	<i>Description</i>	<i>Ref.</i>	<i>Part Number</i>	<i>Qty.</i>	<i>Description</i>
10	139-9738	1	Supply Pump ASM	50	139-9709	1	Gasket-Pump
20	139-9721	1	Bolt-Joint	60	139-9717	2	Bolt-Flange
30	139-9722	1	Bolt-Joint	70	139-9719	2	Stud
40	139-9707	4	Gasket	80	112-2492	2	Nut-Flange
41	139-9739	1	Valve ASM	90	139-4707	1	Fuel Hose ASM
42	139-9725	1	O-Ring (Scv 1)	110	139-9632	1	Fuel Hose
43	139-9726	1	O-Ring (Scv 2)	120	139-9745	1	Valve Kit
44	139-9718	3	Bolt				

Go to Discount-Equipment.com to order your parts

Fuel Filter Assembly

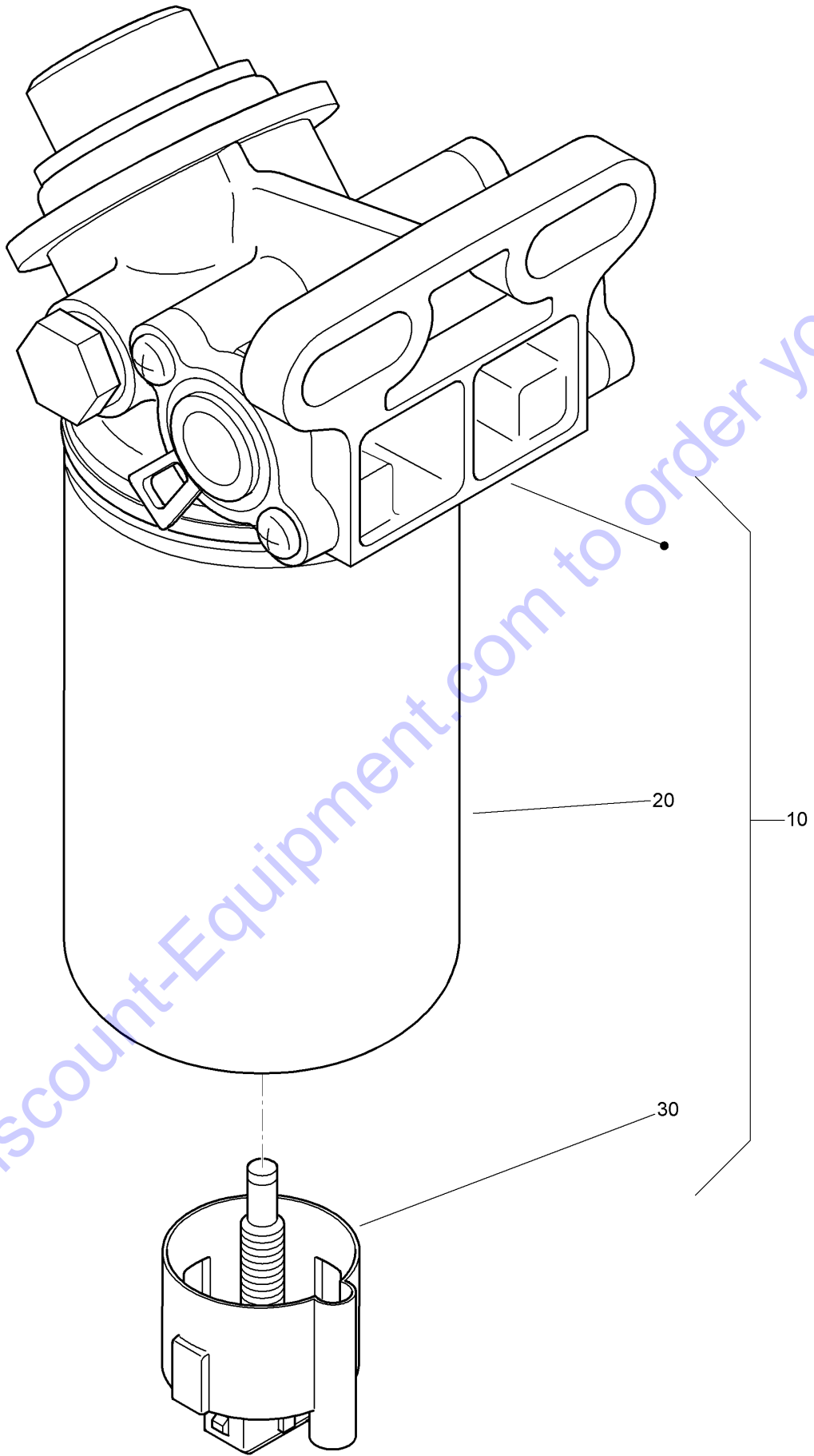


Fuel Filter Assembly (continued)

<i>Ref.</i>	<i>Part Number</i>	<i>Qty.</i>	<i>Description</i>	<i>Ref.</i>	<i>Part Number</i>	<i>Qty.</i>	<i>Description</i>
10	136-4733	1	Filter-Fuel	40	139-4720	1	Plug
20	139-9703	1	Base-Filter	50	136-4891	1	Cartridge-Filter, Fuel
30	139-9706	1	O-Ring				

Go to Discount-Equipment.com to order your parts

Separator Assembly



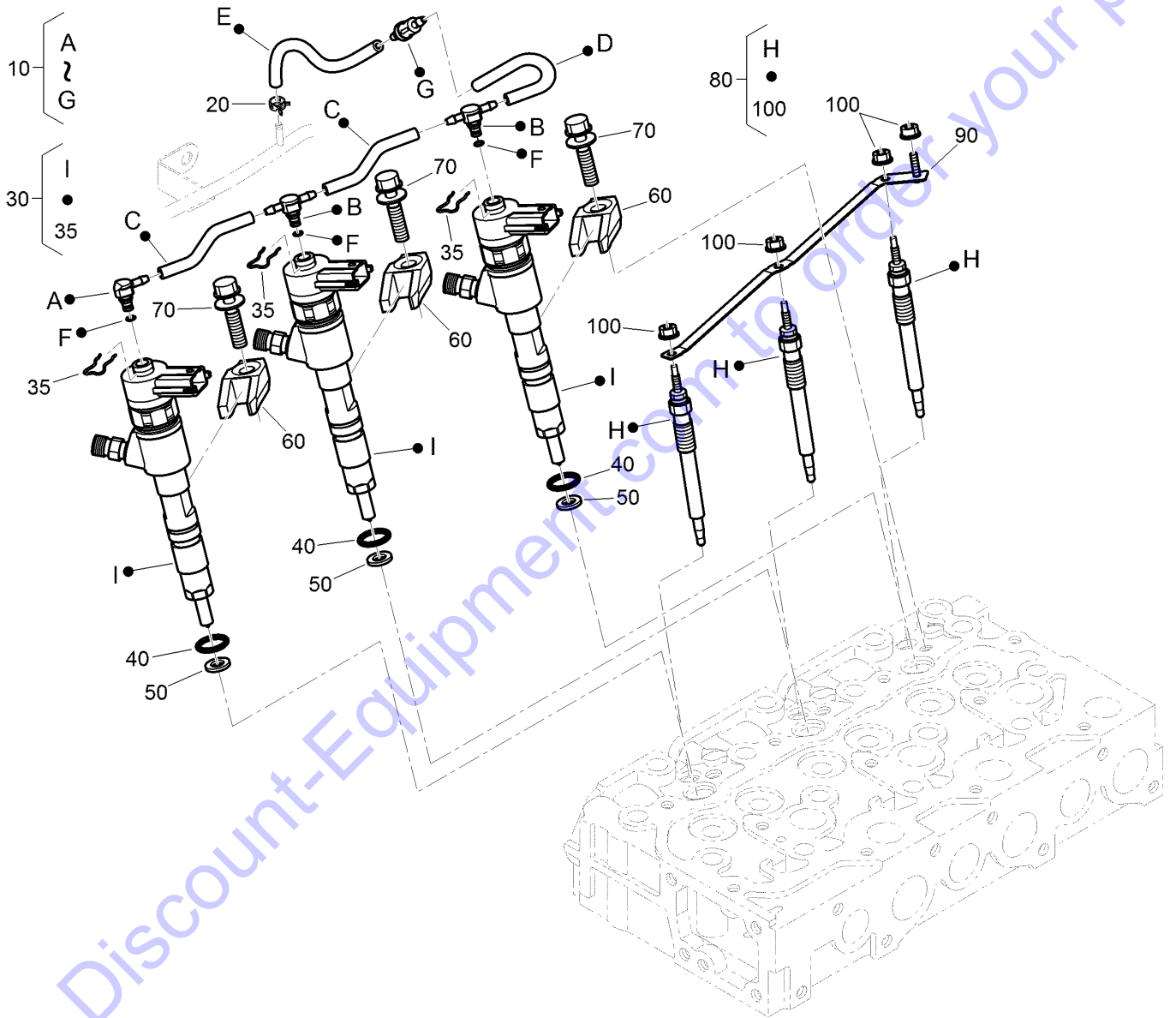
Go to Discount-Equipment.com to order your parts

Separator Assembly (continued)

<i>Ref.</i>	<i>Part Number</i>	<i>Qty.</i>	<i>Description</i>
10	136-4734	1	Filter-Seperator, Water
20	136-4892	1	Filter-Separator
30	139-9684	1	Switch ASM

Go to Discount-Equipment.com to order your parts

Injector and Glow Plug Assembly

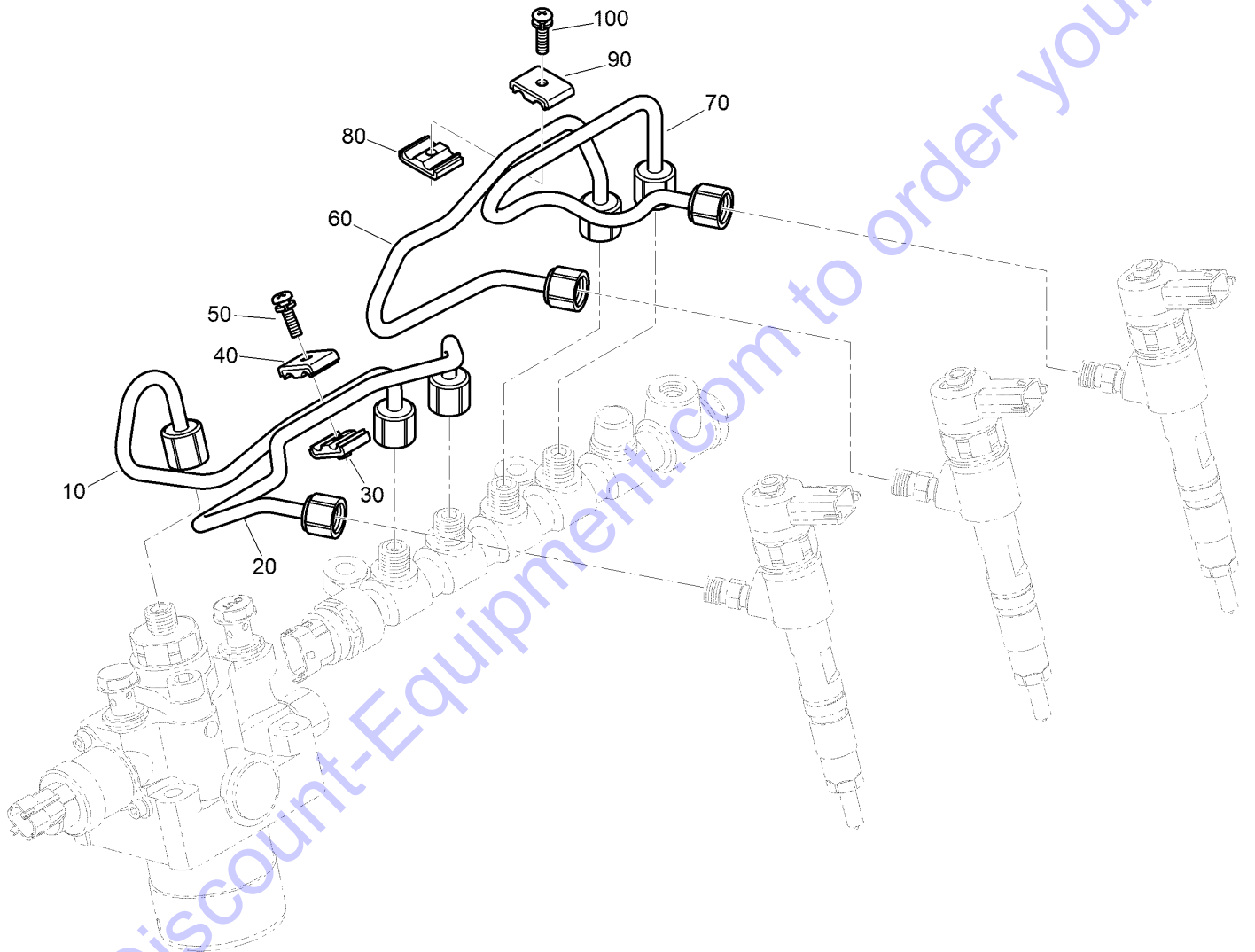


Injector and Glow Plug Assembly (continued)

<i>Ref.</i>	<i>Part Number</i>	<i>Qty.</i>	<i>Description</i>	<i>Ref.</i>	<i>Part Number</i>	<i>Qty.</i>	<i>Description</i>
10	139-9764	1	Over Flow Tube ASM	60	139-9710	3	Clamp
20	139-9514	1	Clamp-Hose	70	139-9711	3	Bolt ASM
30	139-4700	3	Injector ASM	80	139-9662	3	Plug-Glow
35	139-9702	3	Clamp	90	139-9769	1	Cord-Plug, Glow
40	139-9712	3	O-Ring	100	99-8377	4	Nut-Flange
50	139-9651	3	Packing				

Go to Discount-Equipment.com to order your parts

Injection Pipe Assembly

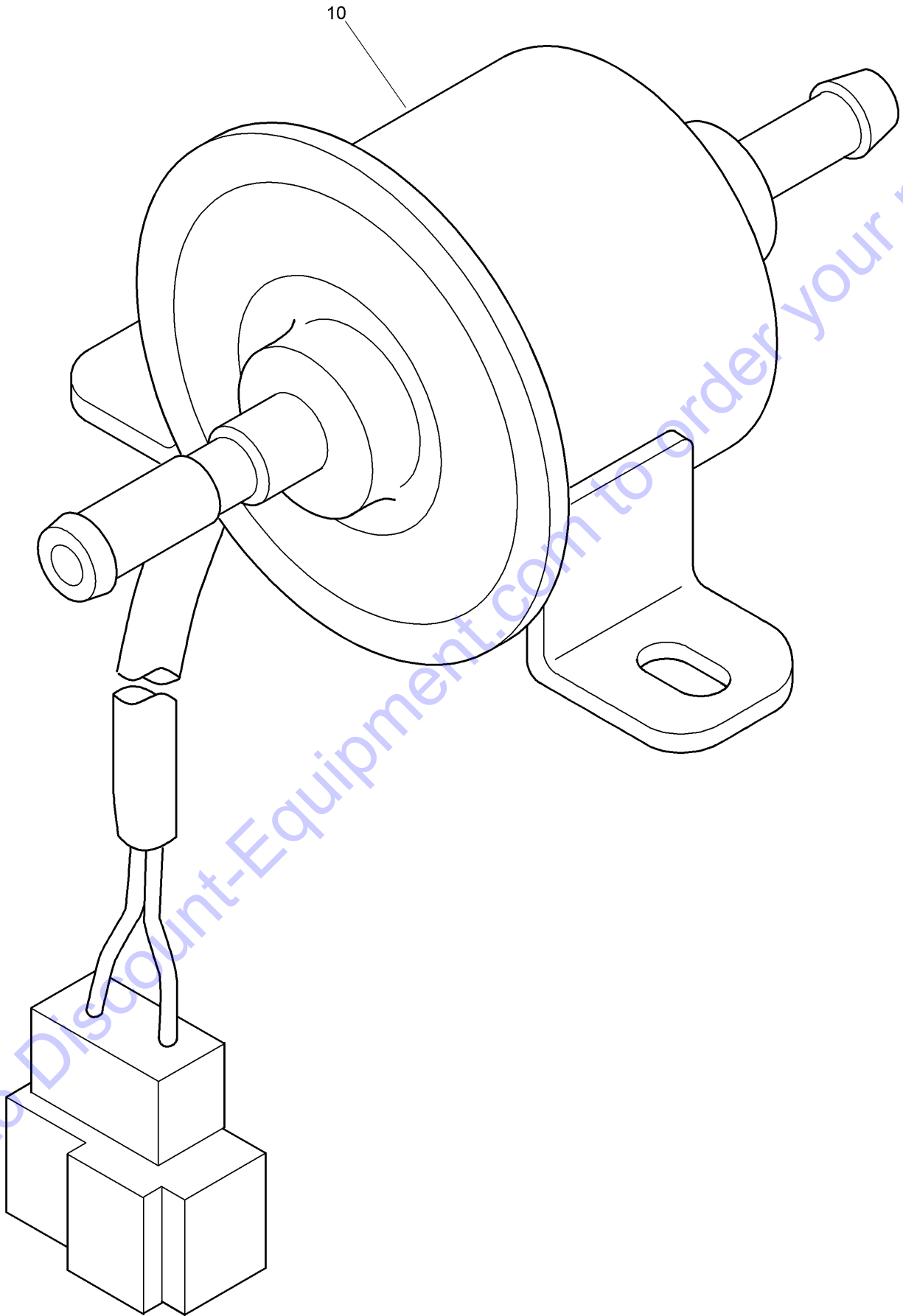


Injection Pipe Assembly (continued)

<i>Ref.</i>	<i>Part Number</i>	<i>Qty.</i>	<i>Description</i>	<i>Ref.</i>	<i>Part Number</i>	<i>Qty.</i>	<i>Description</i>
10	139-9741	1	Pipe	60	139-9714	1	Pipe-Injection
20	139-9713	1	Pipe-Injection	70	139-9715	1	Pipe-Injection
30	139-9535	1	Clamp-Pipe	80	139-9535	1	Clamp-Pipe
40	139-9536	1	Clamp-Pipe	90	139-9536	1	Clamp-Pipe
50	98-7684	1	Screw (W/Washer)	100	98-7684	1	Screw (W/Washer)

Go to Discount-Equipment.com to order your parts

Fuel Pump (Electrical) Assembly

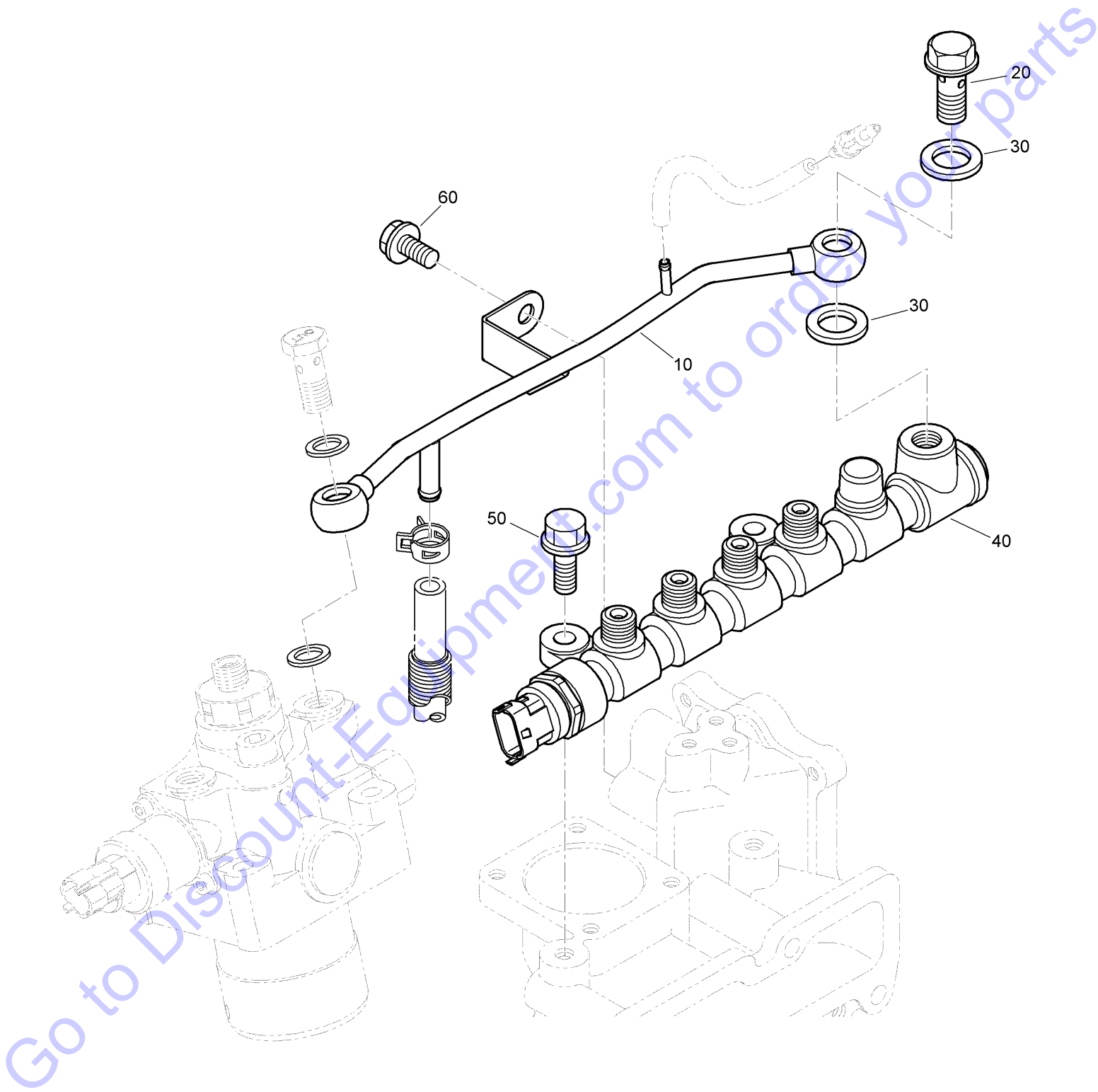


Fuel Pump (Electrical) Assembly (continued)

<i>Ref.</i>	<i>Part Number</i>	<i>Qty.</i>	<i>Description</i>
10	136-4736	1	Pump-Fuel

Go to Discount-Equipment.com to order your parts

Common Rail Assembly

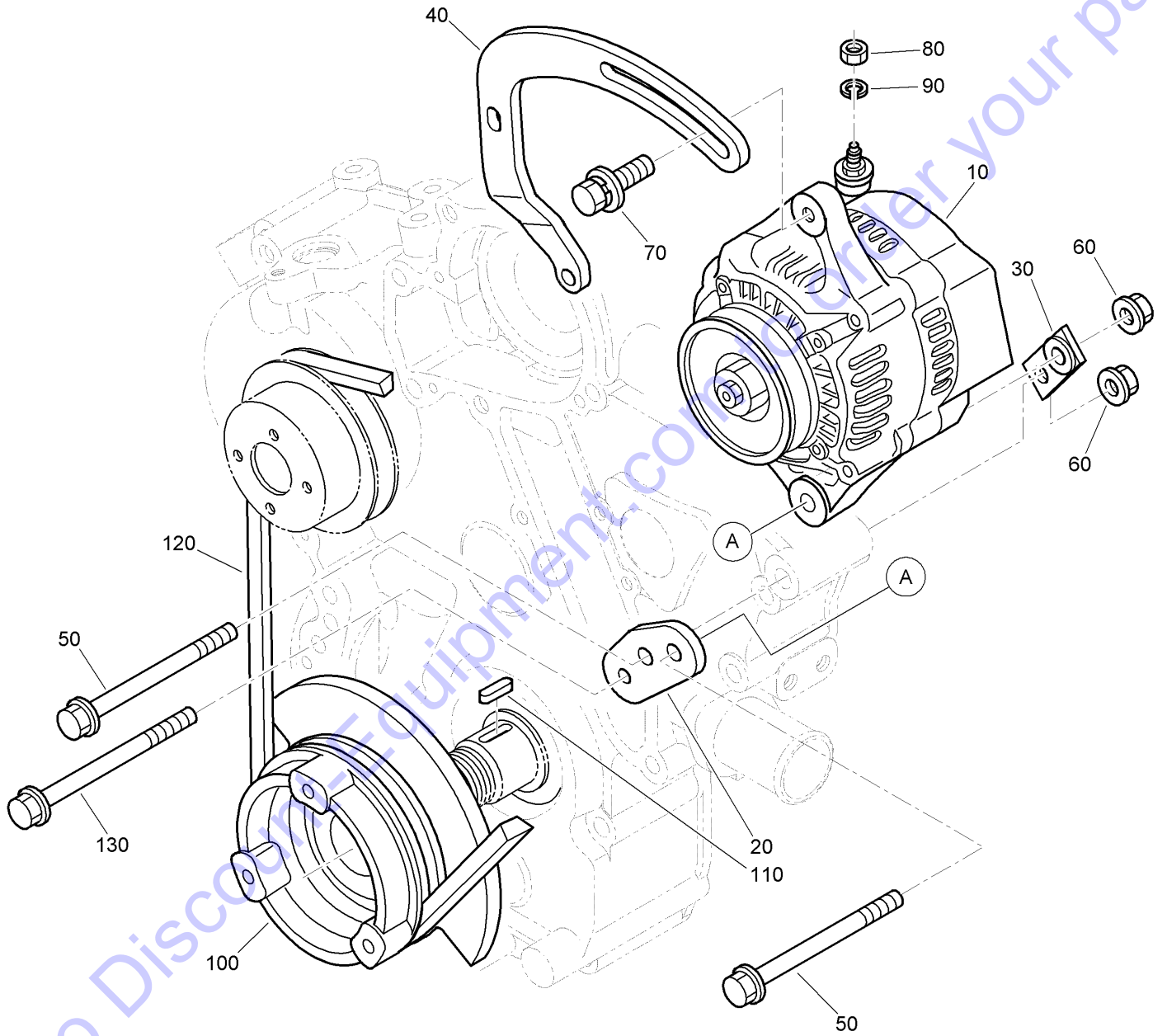


Common Rail Assembly (continued)

<i>Ref.</i>	<i>Part Number</i>	<i>Qty.</i>	<i>Description</i>	<i>Ref.</i>	<i>Part Number</i>	<i>Qty.</i>	<i>Description</i>
10	139-9765	1	Pipe-Over Flow, Water	40	139-9766	1	Rail ASM
20	139-9720	1	Bolt-Joint	50	139-9502	2	Bolt-Flange
30	139-9707	2	Gasket	60	130-1159	1	Bolt-Flange

Go to Discount-Equipment.com to order your parts

Alternator and Pulley Assembly

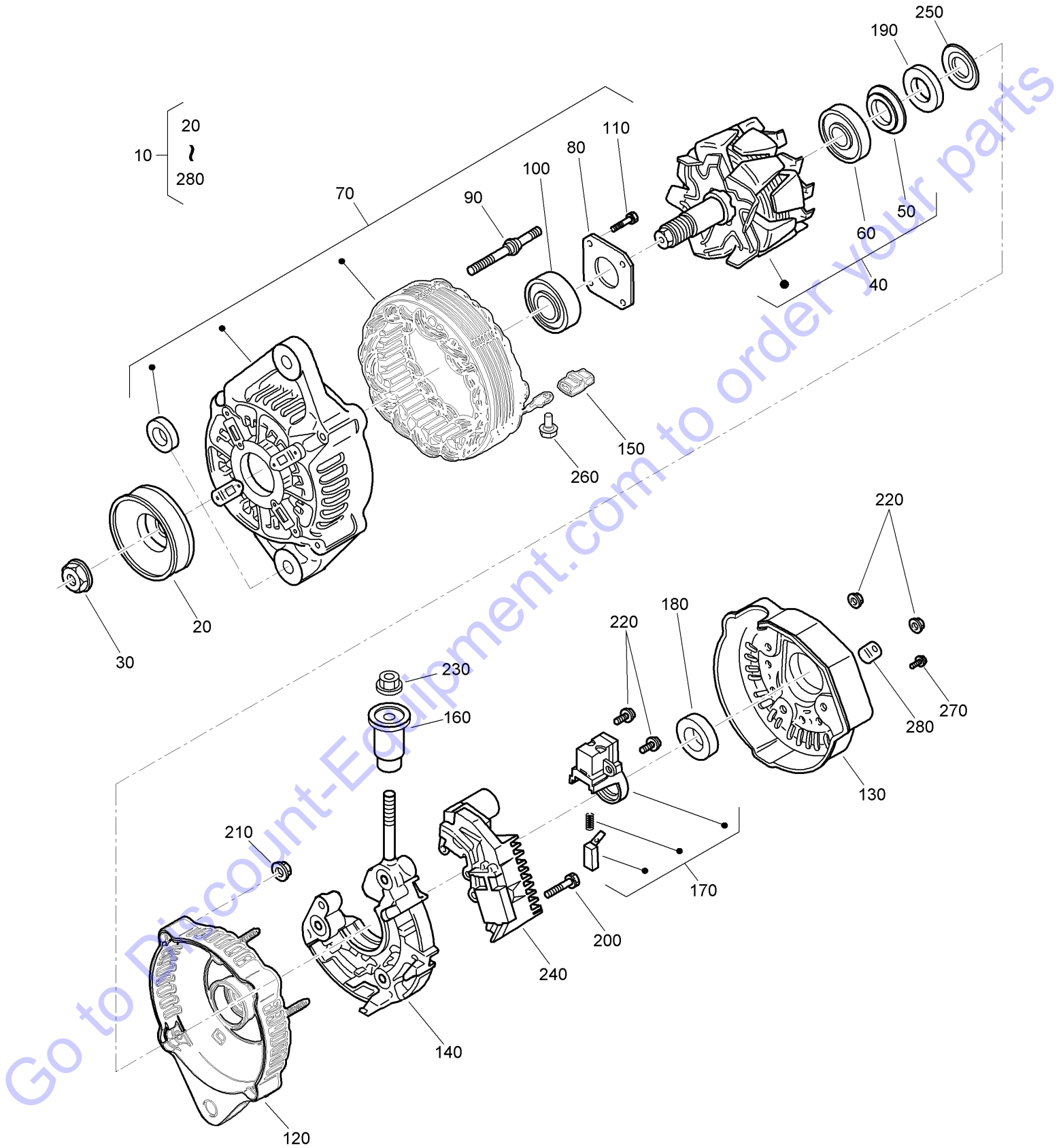


Alternator and Pulley Assembly (continued)

<i>Ref.</i>	<i>Part Number</i>	<i>Qty.</i>	<i>Description</i>	<i>Ref.</i>	<i>Part Number</i>	<i>Qty.</i>	<i>Description</i>
10	139-9582	1	Alternator ASM	80	98-7572	1	Nut
20	139-9630	1	Support-Alternator	90	98-7699	1	Washer-Spring
30	139-9683	1	Stay-Alternator	100	139-9657	1	Pulley-Drive, Fan
40	139-9631	1	Stay-Dynamo	110	98-7451	1	Key-Feather
50	139-9506	2	Bolt-Flange	120	139-9635	1	Belt-Fan
60	120-5822	2	Nut-Flange	130	139-9504	1	Bolt-Flange
70	108-7088	1	Bolt				

Go to Discount-Equipment.com to order your parts

Alternator Components Assembly

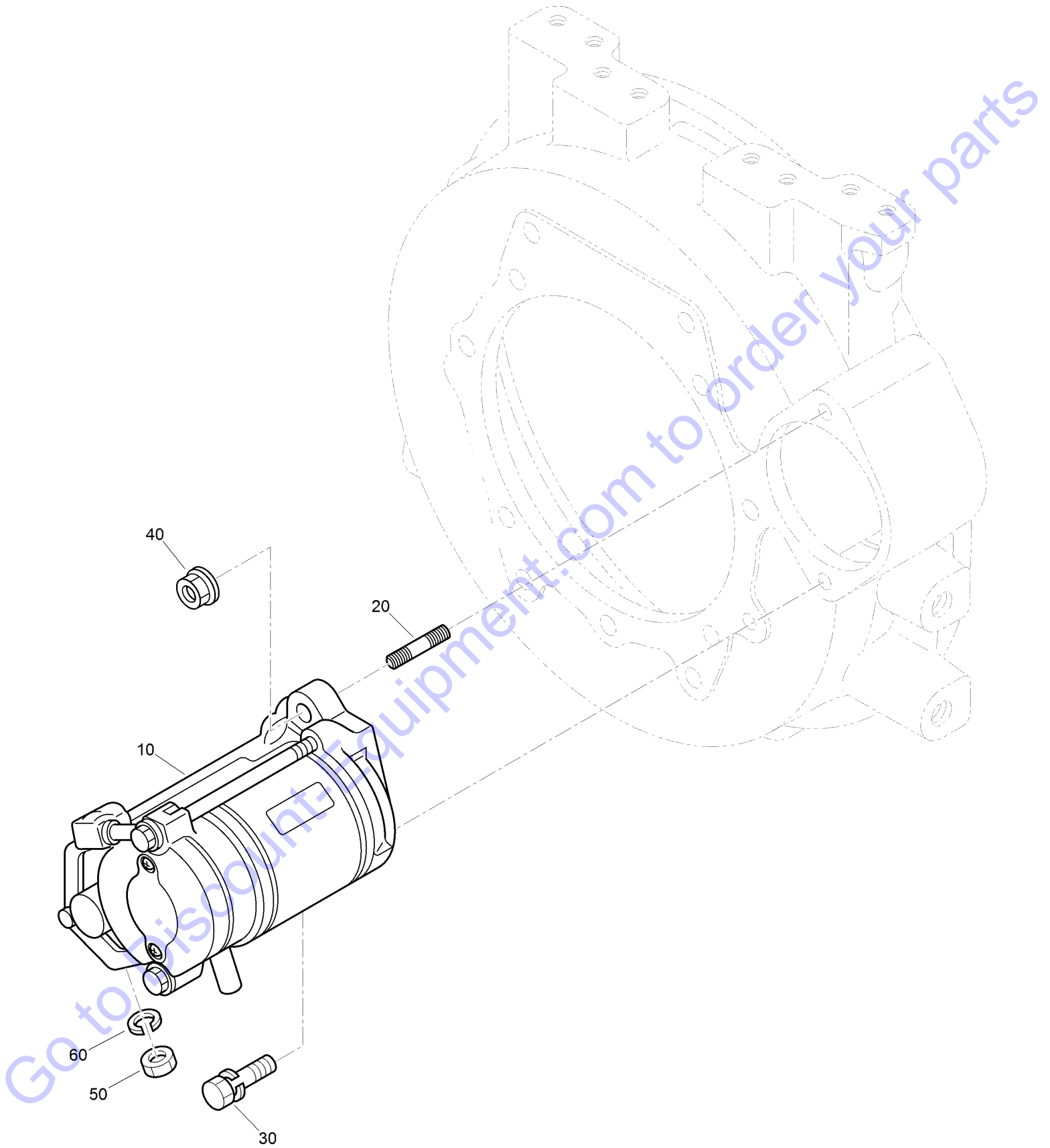


Alternator Components Assembly (continued)

<i>Ref.</i>	<i>Part Number</i>	<i>Qty.</i>	<i>Description</i>	<i>Ref.</i>	<i>Part Number</i>	<i>Qty.</i>	<i>Description</i>
10	139-9582	1	Alternator ASM	150	139-9552	4	Bushing-Insulation
20	139-9584	1	Pulley-Alternator	160	139-9588	1	Bushing-Insulation
30	139-9545	1	Nut	170	139-9547	1	Holder-Brush
40	139-9585	1	Rotor ASM	180	139-9548	1	Ring-Seal
50	139-9537	1	Cover-Bearing	190	139-9549	1	Ring-Seal
60	139-4715	1	Bearing-Ball	200	139-9556	2	Screw-Head, Round
70	139-9583	1	Drive End Frame ASM	210	139-9538	7	Nut
80	139-9550	1	Plate-Retainer	220	139-9539	3	Screw-Head, Round
90	139-9544	4	Bolt-Through	230	139-9555	1	Nut
100	139-9551	1	Bearing-Ball	240	139-9589	1	Regulator ASM
110	139-9557	4	Bolt	250	139-9554	1	Washer
120	139-9546	1	Frame-End	260	139-9558	4	Screw-Head, Round
130	139-9586	1	Cover-End, Rear	270	139-9559	1	Screw-Head, Round
140	139-9587	1	Rectifier ASM	280	139-9553	1	Plate-Terminal

Go to Discount-Equipment.com to order your parts

Starter Installation Assembly



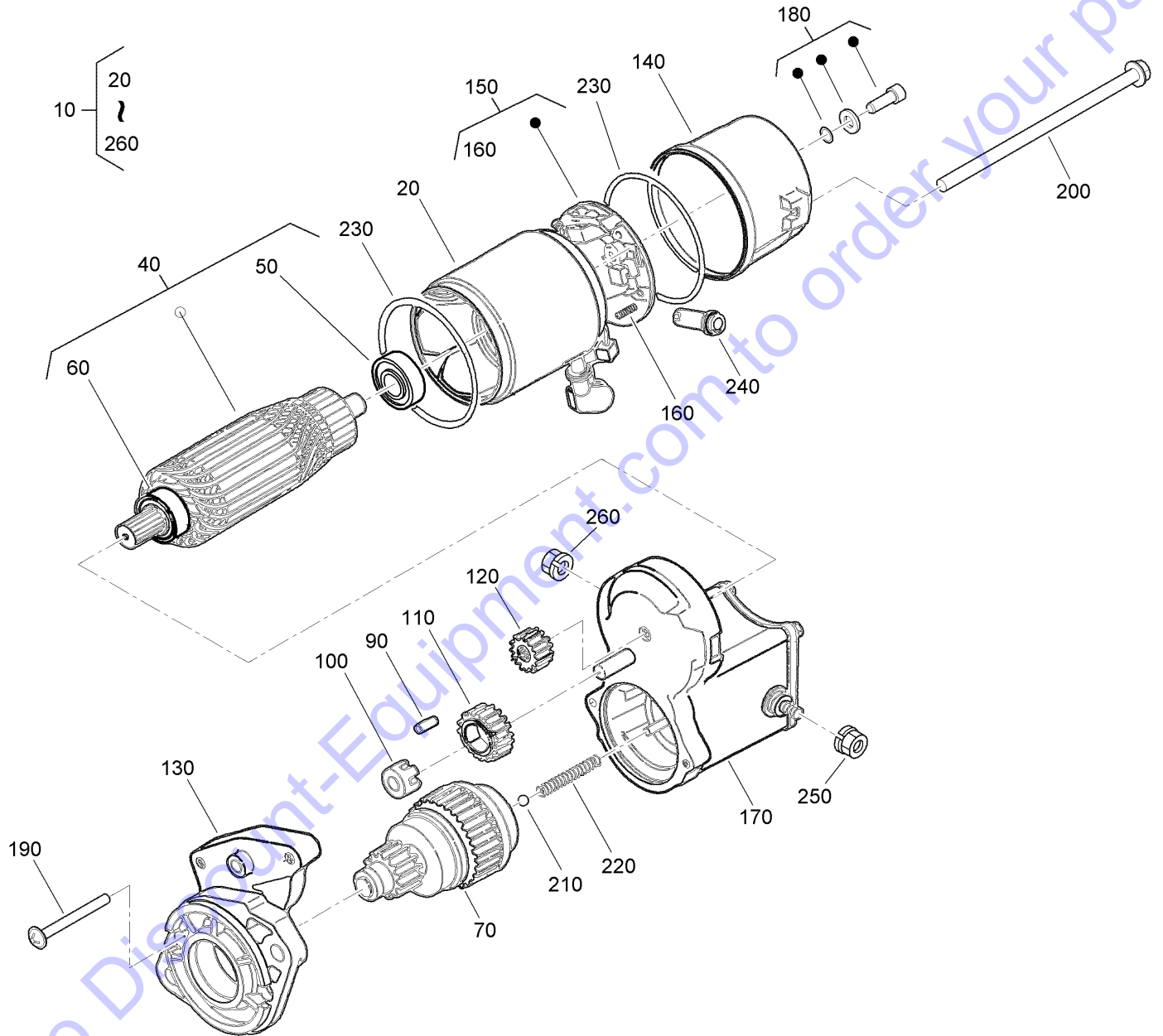
Starter Installation Assembly (continued)

<i>Ref.</i>	<i>Part Number</i>	<i>Qty.</i>	<i>Description</i>
10	130-1306	1	Starter ASM
20	139-9501	1	Bolt-Stud
30	98-7736	1	Bolt

<i>Ref.</i>	<i>Part Number</i>	<i>Qty.</i>	<i>Description</i>
40	120-5822	1	Nut-Flange
50	98-7739	1	Nut
60	131-9579	1	Washer-Spring, Lock

Go to Discount-Equipment.com to order your parts

Starter (Component Parts) Assembly

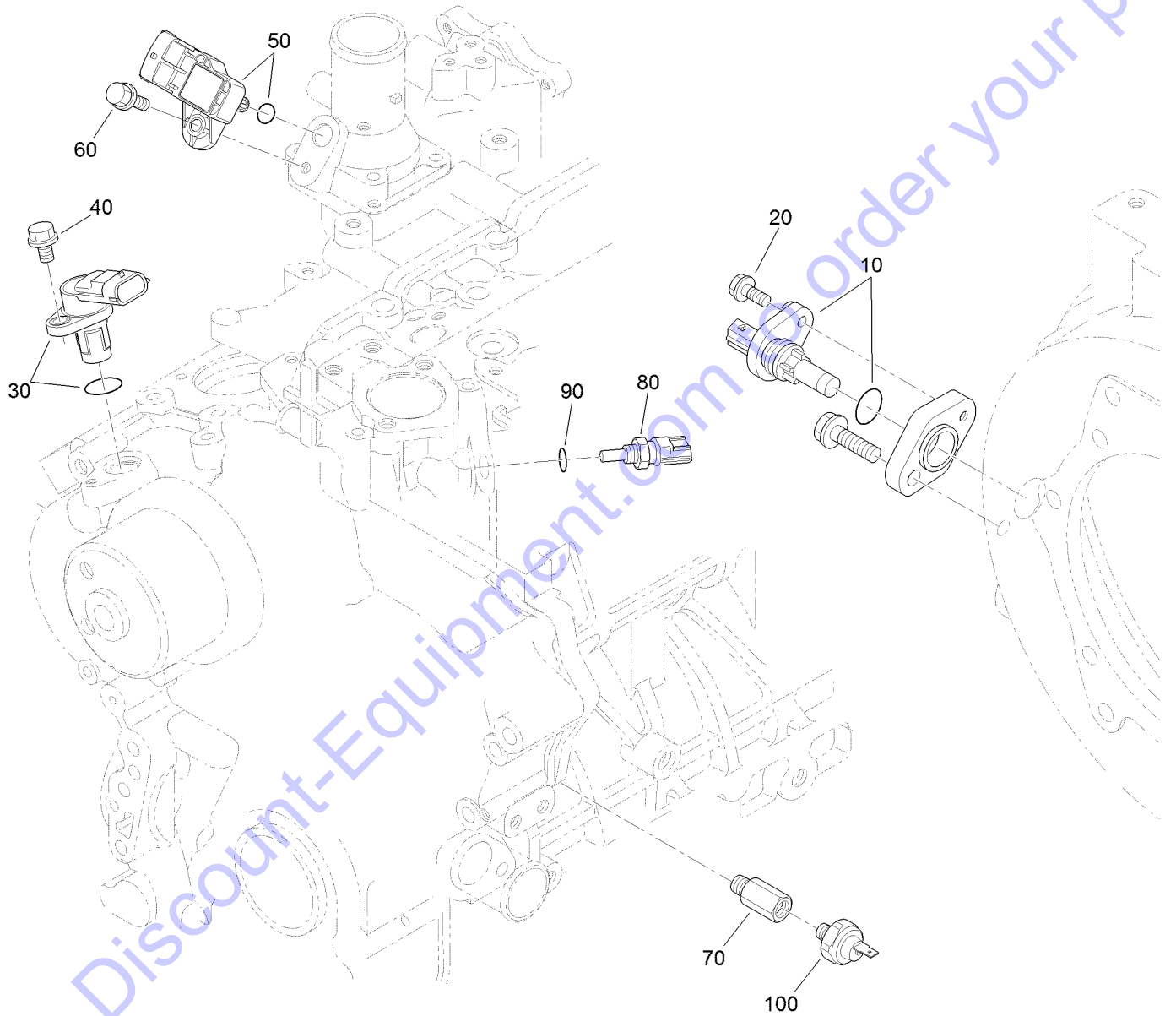


Starter (Component Parts) Assembly (continued)

<i>Ref.</i>	<i>Part Number</i>	<i>Qty.</i>	<i>Description</i>	<i>Ref.</i>	<i>Part Number</i>	<i>Qty.</i>	<i>Description</i>
10	130-1306	1	Starter ASM	150	139-9571	1	Holder-Brush
20	139-9566	1	Yoke	160	139-9567	4	Spring
40	139-9565	1	Armature	170	130-1307	1	Magnetic Switch ASM
50	139-9572	1	Bearing	180	139-9573	2	Screw
60	139-9520	1	Bearing	190	139-9574	2	Screw
70	139-9564	1	Clutch-Running, Over	200	139-9570	2	Bolt-Through
90	98-7753	5	Roller	210	98-7755	1	Ball
100	139-9517	1	Retainer	220	139-9518	1	Spring
110	139-9519	1	Gear	230	139-9532	2	O-Ring
120	139-9569	1	Gear	240	139-9540	1	Pipe-Drain
130	139-9563	1	Frame-End, Drive	250	139-9521	1	Nut-Hexagon
140	139-9568	1	Frame-End	260	99-8376	1	Nut-Hex

Go to Discount-Equipment.com to order your parts

Oil Switch and Thermometer Assembly



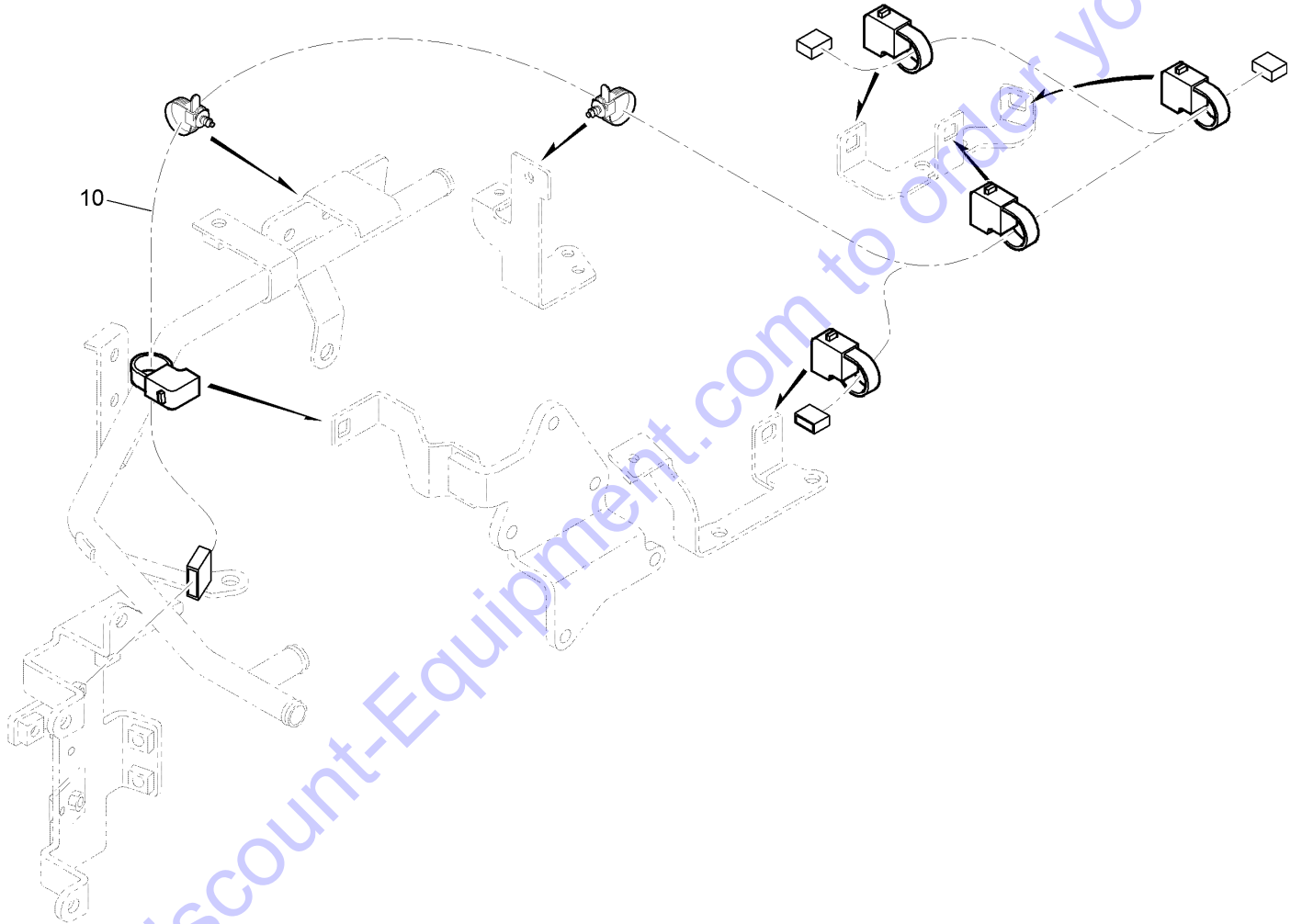
Go to Discount-Equipment.com to order your parts

Oil Switch and Thermometer Assembly (continued)

<i>Ref.</i>	<i>Part Number</i>	<i>Qty.</i>	<i>Description</i>	<i>Ref.</i>	<i>Part Number</i>	<i>Qty.</i>	<i>Description</i>
10	139-9716	1	Sensor	60	108-2873	1	Bolt-Flange
20	127-0403	1	Bolt-Flange	70	139-9685	1	Adapter-Switch, Oil
30	139-9742	1	Sensor	80	139-4717	1	Sensor-Temperature, Water
40	127-0403	1	Bolt-Flange	90	139-9512	1	O-Ring
50	139-9752	1	Sensor-Boost	100	139-4719	1	Switch-Oil

Go to Discount-Equipment.com to order your parts

Injector Harness Assembly

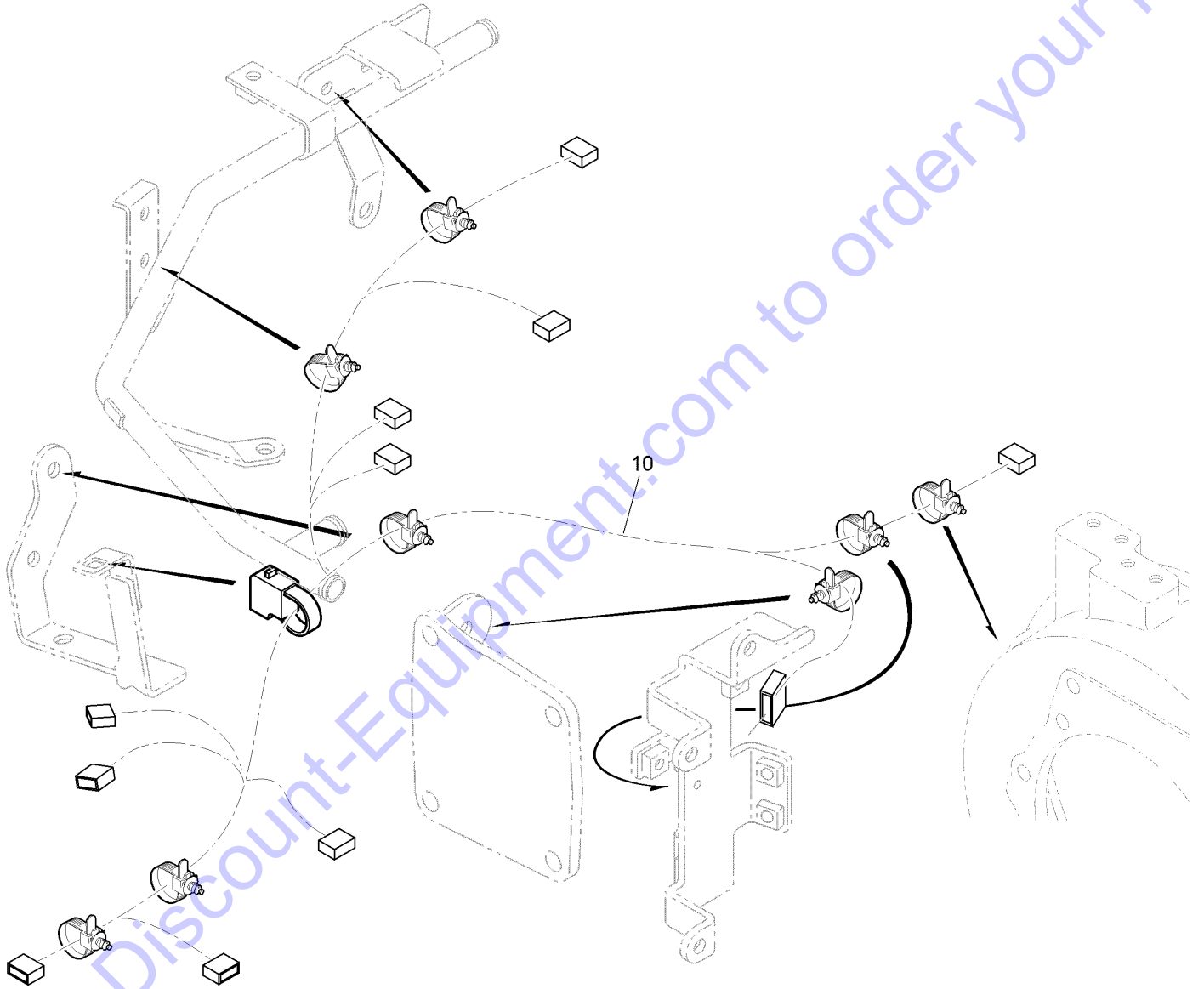


Injector Harness Assembly (continued)

<i>Ref.</i>	<i>Part Number</i>	<i>Qty.</i>	<i>Description</i>
10	139-9767	1	Wire Harness ASM

Go to Discount-Equipment.com to order your parts

Wire Harness Assembly



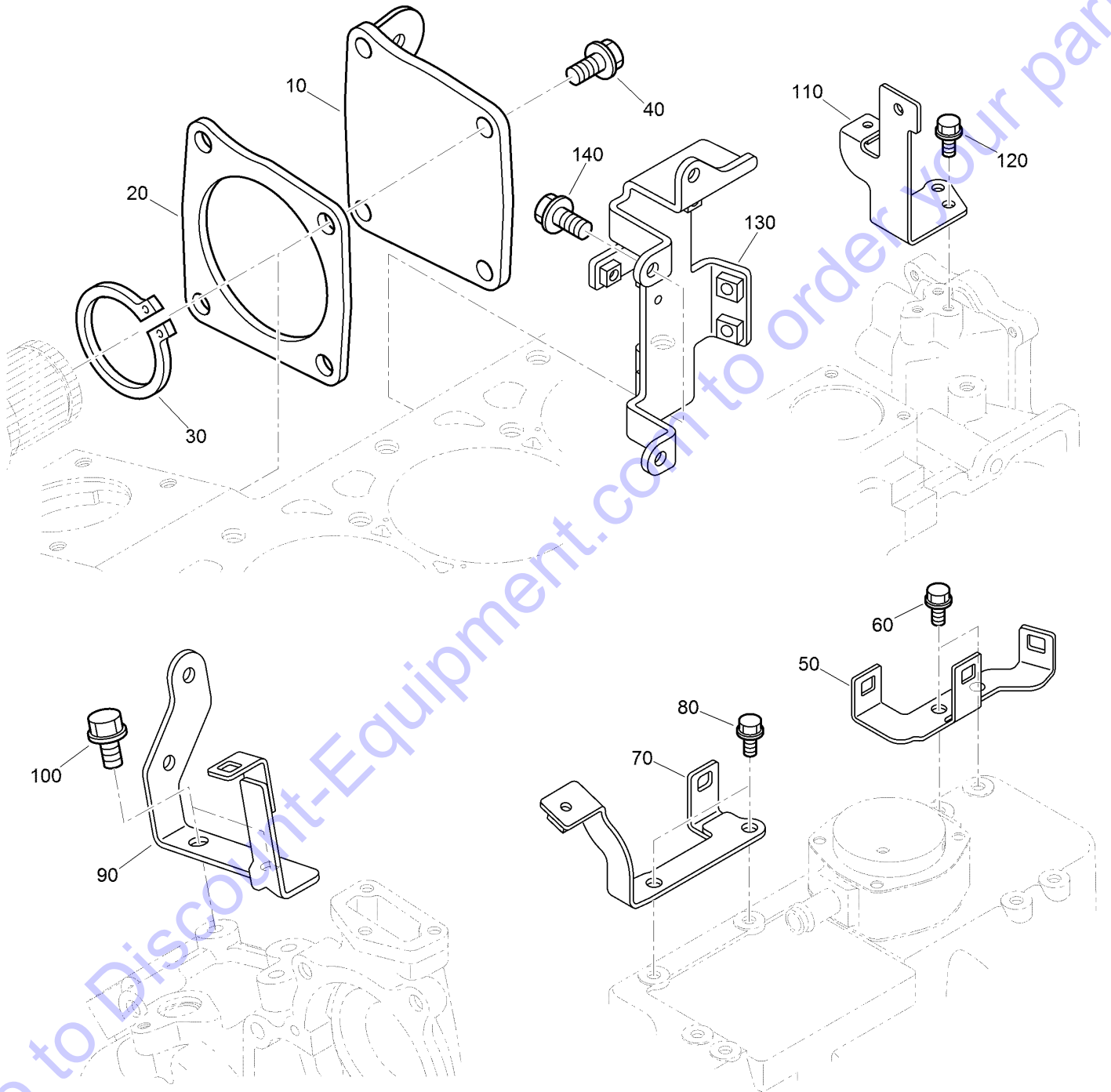
Go to Discount-Equipment.com to order your parts

Wire Harness Assembly (continued)

<i>Ref.</i>	<i>Part Number</i>	<i>Qty.</i>	<i>Description</i>
10	139-9790	1	Engine Wire Harness ASM

Go to Discount-Equipment.com to order your parts

Wire Harness Bracket Assembly

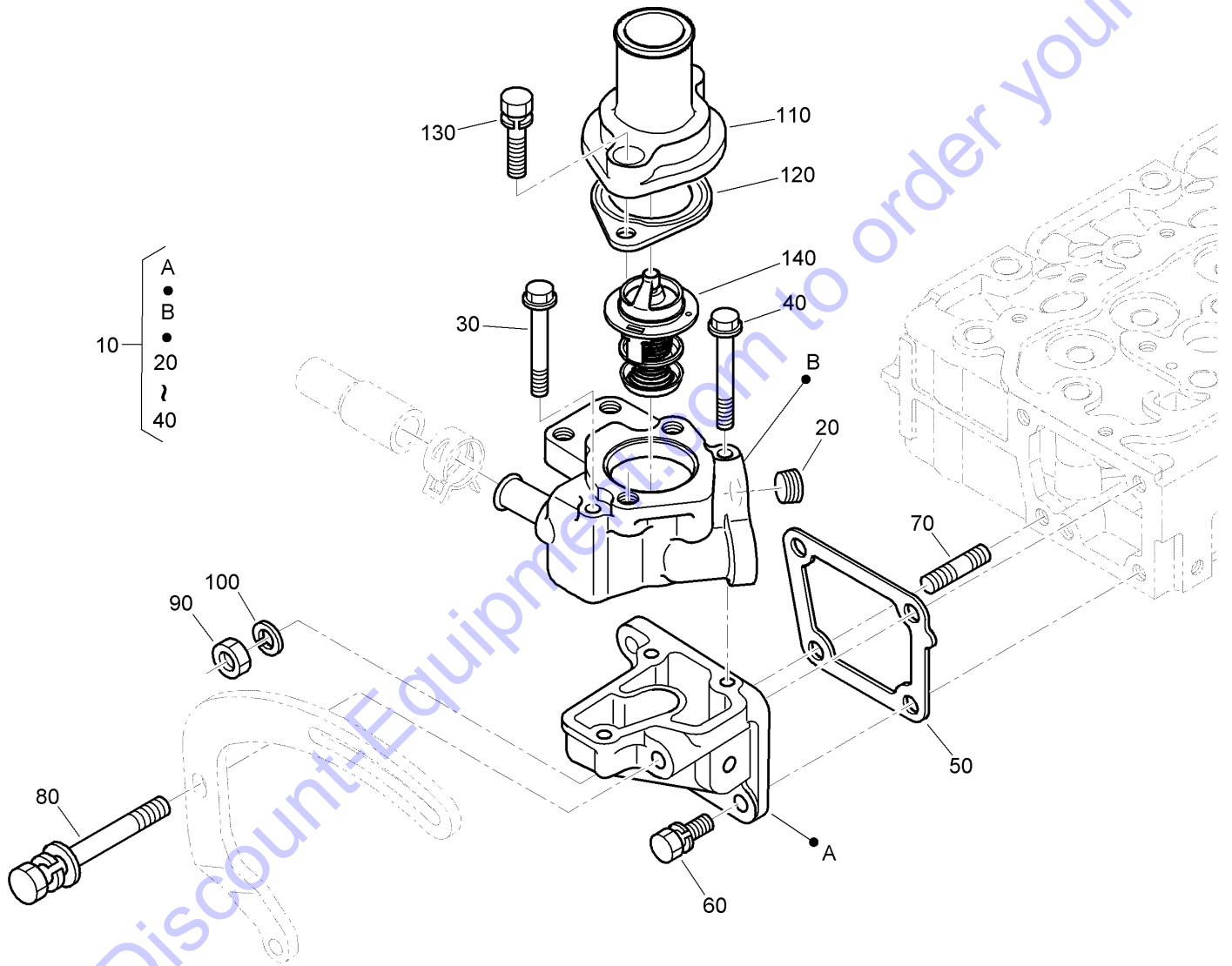


Wire Harness Bracket Assembly (continued)

<i>Ref.</i>	<i>Part Number</i>	<i>Qty.</i>	<i>Description</i>	<i>Ref.</i>	<i>Part Number</i>	<i>Qty.</i>	<i>Description</i>
10	139-9731	1	Cover-Camshaft, Fuel	80	139-9505	2	Bolt-Flange
20	139-9637	1	Gasket	90	139-4702	1	Bracket (Wh 3)
30	120-5194	1	Circlip-External	100	130-1159	2	Bolt-Flange
40	130-1159	4	Bolt-Flange	110	139-9792	1	Bracket (Wh 4)
50	139-9791	1	Bracket-Harness	120	139-9505	2	Bolt-Flange
60	139-9505	2	Bolt-Flange	130	139-9768	1	Bracket-Connector
70	139-4701	1	Bracket (Wh 2)	140	130-1159	3	Bolt-Flange

Go to Discount-Equipment.com to order your parts

Water Flange and Thermostat Assembly

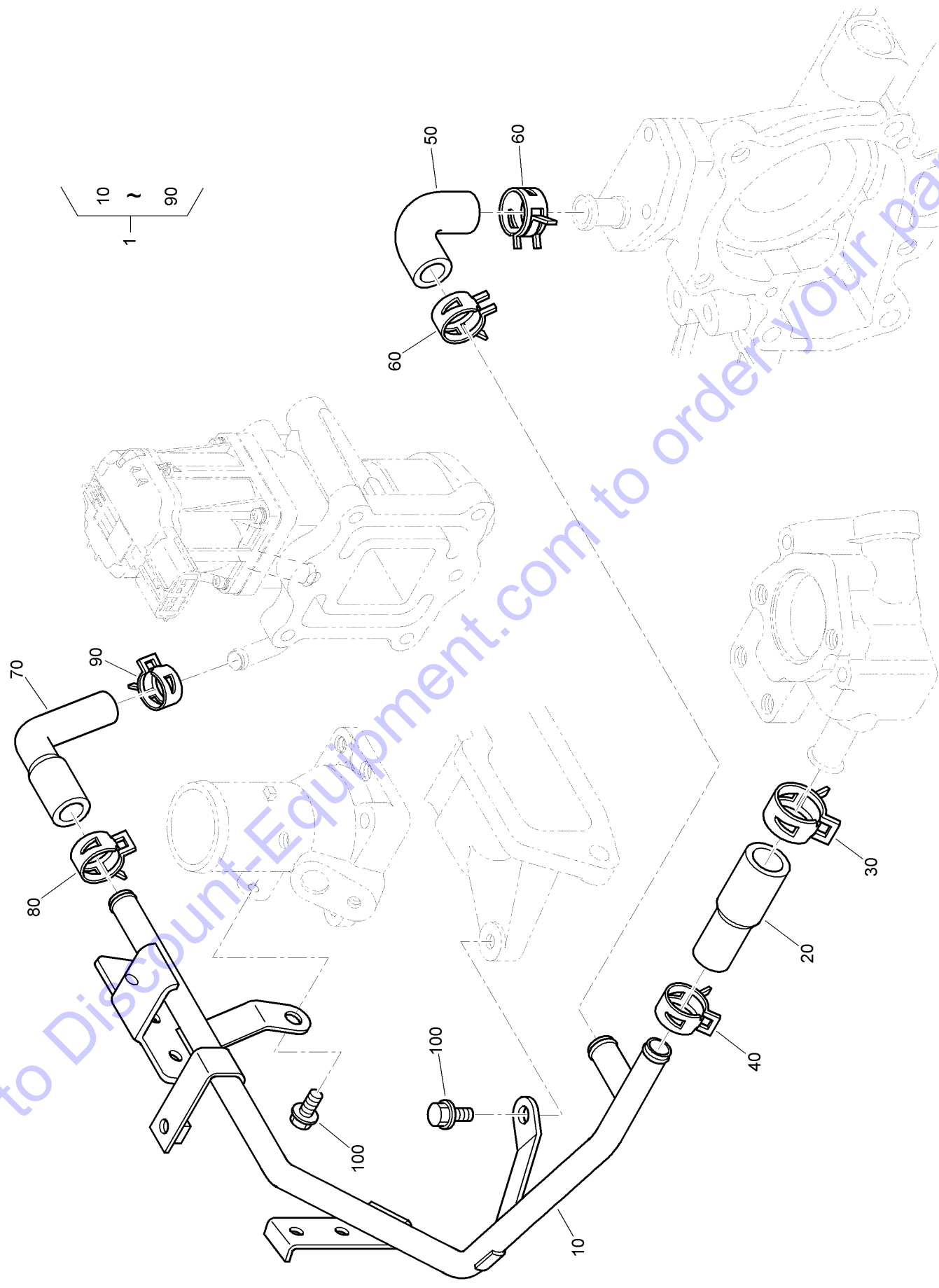


Water Flange and Thermostat Assembly (continued)

<i>Ref.</i>	<i>Part Number</i>	<i>Qty.</i>	<i>Description</i>	<i>Ref.</i>	<i>Part Number</i>	<i>Qty.</i>	<i>Description</i>
10	130-1347	1	Water Flange ASM	80	139-9601	1	Bolt
20	139-9603	1	Plug	90	98-7534	1	Nut
30	105-2875	2	Bolt-Flange	100	131-9579	1	Washer-Spring, Lock
40	107-0117	1	Bolt-Flange	110	98-7775	1	Cover-Thermostat
50	105-2876	1	Gasket-Flange, Water	120	105-3748	1	Gasket-Thermostat
60	98-9359	2	Bolt	130	98-7777	2	Bolt
70	100-1558	1	Stud-Manifold, Exhaust	140	139-9678	1	Thermostat ASM

Go to Discount-Equipment.com to order your parts

Water Pipe Assembly

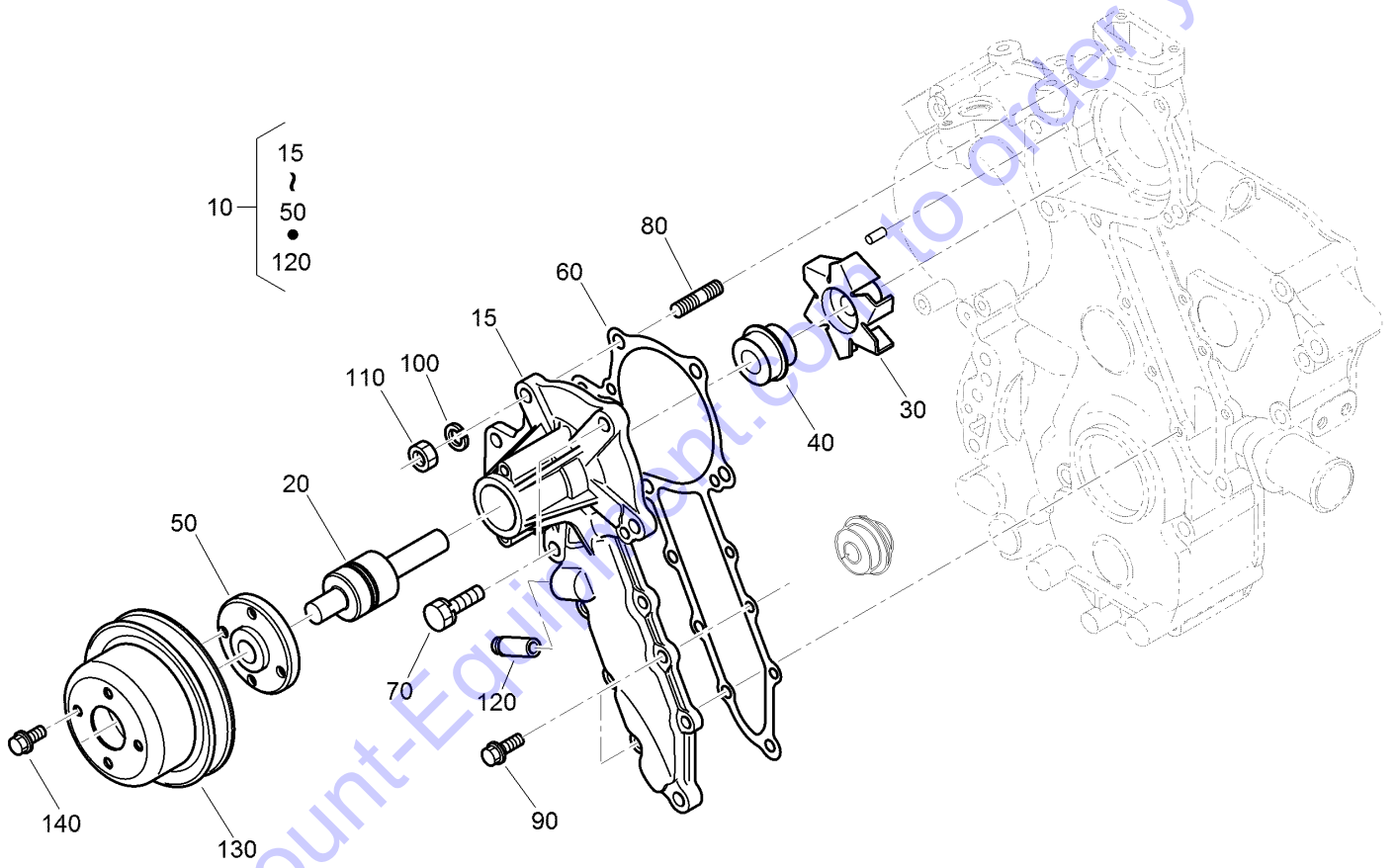


Water Pipe Assembly (continued)

<i>Ref.</i>	<i>Part Number</i>	<i>Qty.</i>	<i>Description</i>	<i>Ref.</i>	<i>Part Number</i>	<i>Qty.</i>	<i>Description</i>
1	139-9795	1	Water Return Pipe ASM	60	105-2879	2	Clamp-Hose
10	139-4704	1	Pipe-Return, Water 2	70	139-9771	1	Hose
20	139-9754	1	Hose-Return, Water 2-1	80	115-8524	1	Clamp-Hose
30	139-9591	1	Clamp-Hose	90	139-9515	1	Clamp-Hose
40	115-8524	1	Clamp-Hose	100	100-1774	2	Bolt-Flange
50	139-9755	1	Hose-Return, Water 2-2				

Go to Discount-Equipment.com to order your parts

Water Pump Assembly



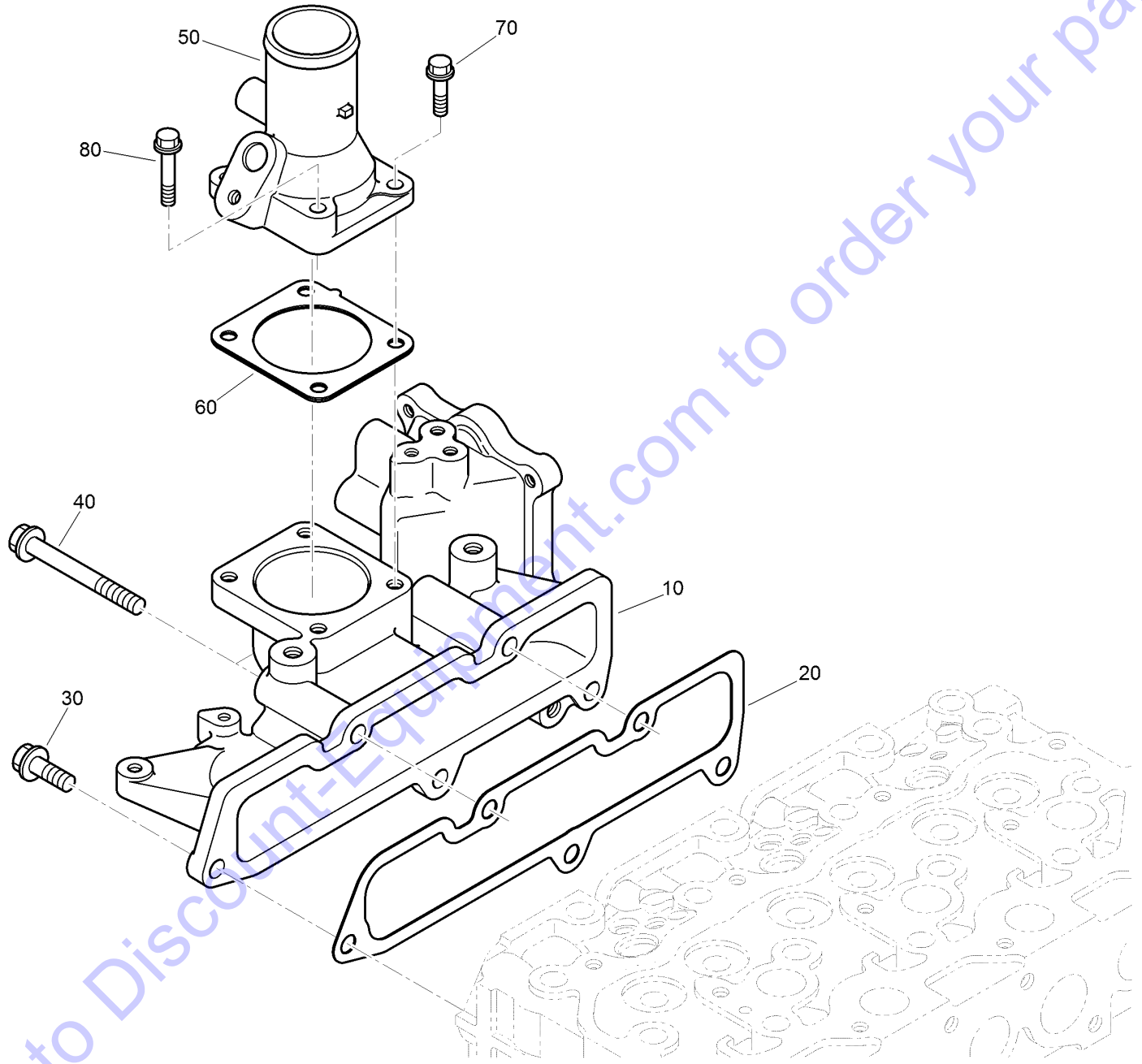
Go to Discount-Equipment.com to order your parts

Water Pump Assembly (continued)

<i>Ref.</i>	<i>Part Number</i>	<i>Qty.</i>	<i>Description</i>	<i>Ref.</i>	<i>Part Number</i>	<i>Qty.</i>	<i>Description</i>
10	139-9636	1	Water Pump ASM	80	108-7090	1	Stud
15	130-1421	1	Body-Pump, Water	90	127-0403	6	Bolt-Flange
20	139-9560	1	Bearing	100	131-9579	1	Washer-Spring, Lock
30	139-9599	1	Impeller	110	98-7534	1	Nut
40	139-9640	1	Mechanical Seal ASM	120	98-9580	1	Pipe-Return, Water
50	108-7089	1	Flange-Shaft, Water Pump	130	139-9579	1	Pulley-Fan
60	139-9605	1	Gasket-Pump, Water	140	100-1774	4	Bolt-Flange
70	98-7439	2	Bolt				

Go to Discount-Equipment.com to order your parts

Inlet Manifold Assembly



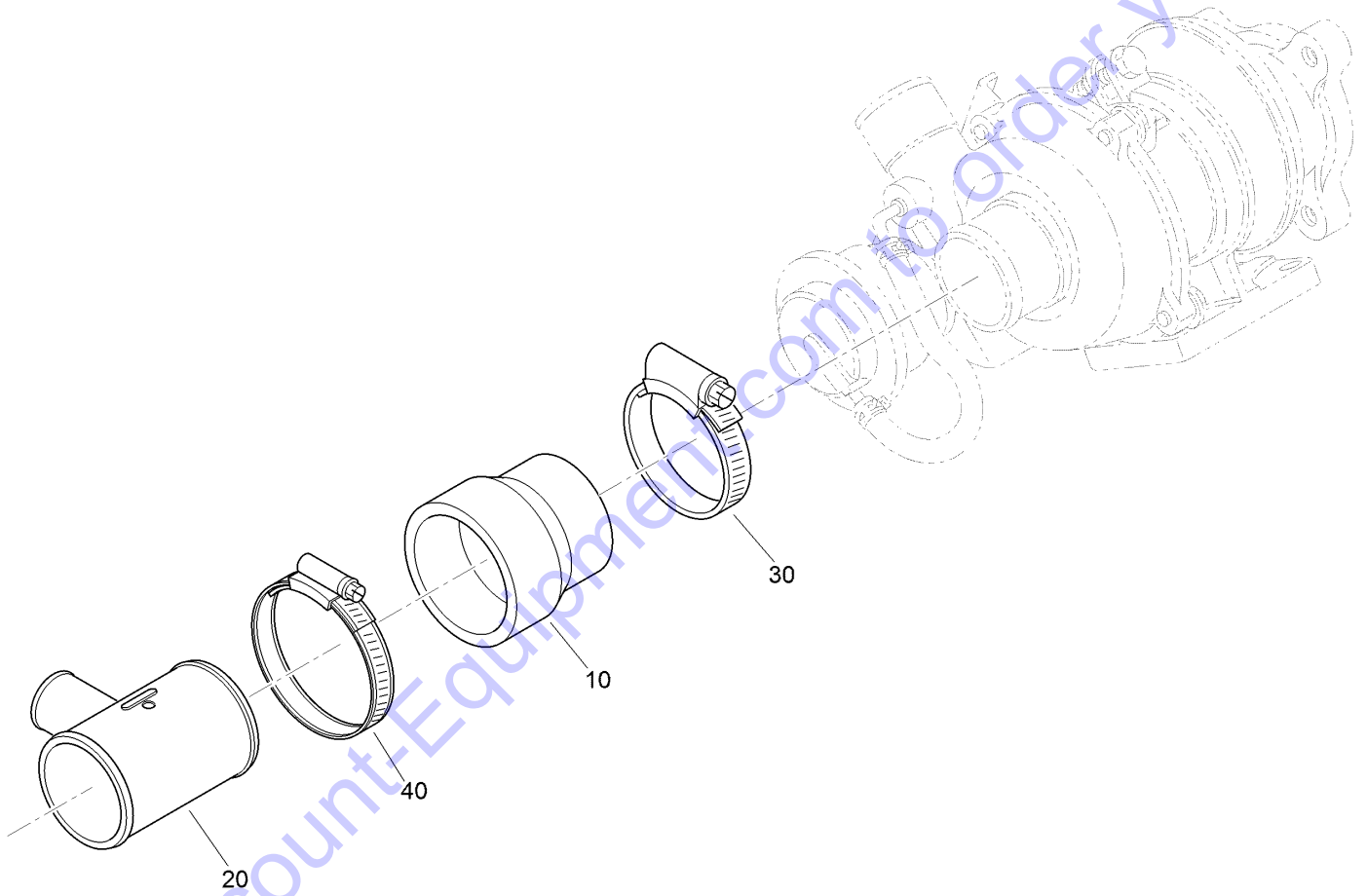
Go to Discount-Equipment.com to order your parts

Inlet Manifold Assembly (continued)

<i>Ref.</i>	<i>Part Number</i>	<i>Qty.</i>	<i>Description</i>	<i>Ref.</i>	<i>Part Number</i>	<i>Qty.</i>	<i>Description</i>
10	139-9758	1	Manifold-Inlet	50	139-9749	1	Flange-Inlet
20	139-9759	1	Gasket-Manifold, Inlet	60	139-9700	1	Gasket-Flange, Inlet
30	115-8583	3	Bolt-Flange	70	108-2873	3	Bolt-Flange
40	139-9503	2	Bolt-Flange	80	127-0404	1	Bolt-Flange

Go to Discount-Equipment.com to order your parts

Inlet Hose Assembly

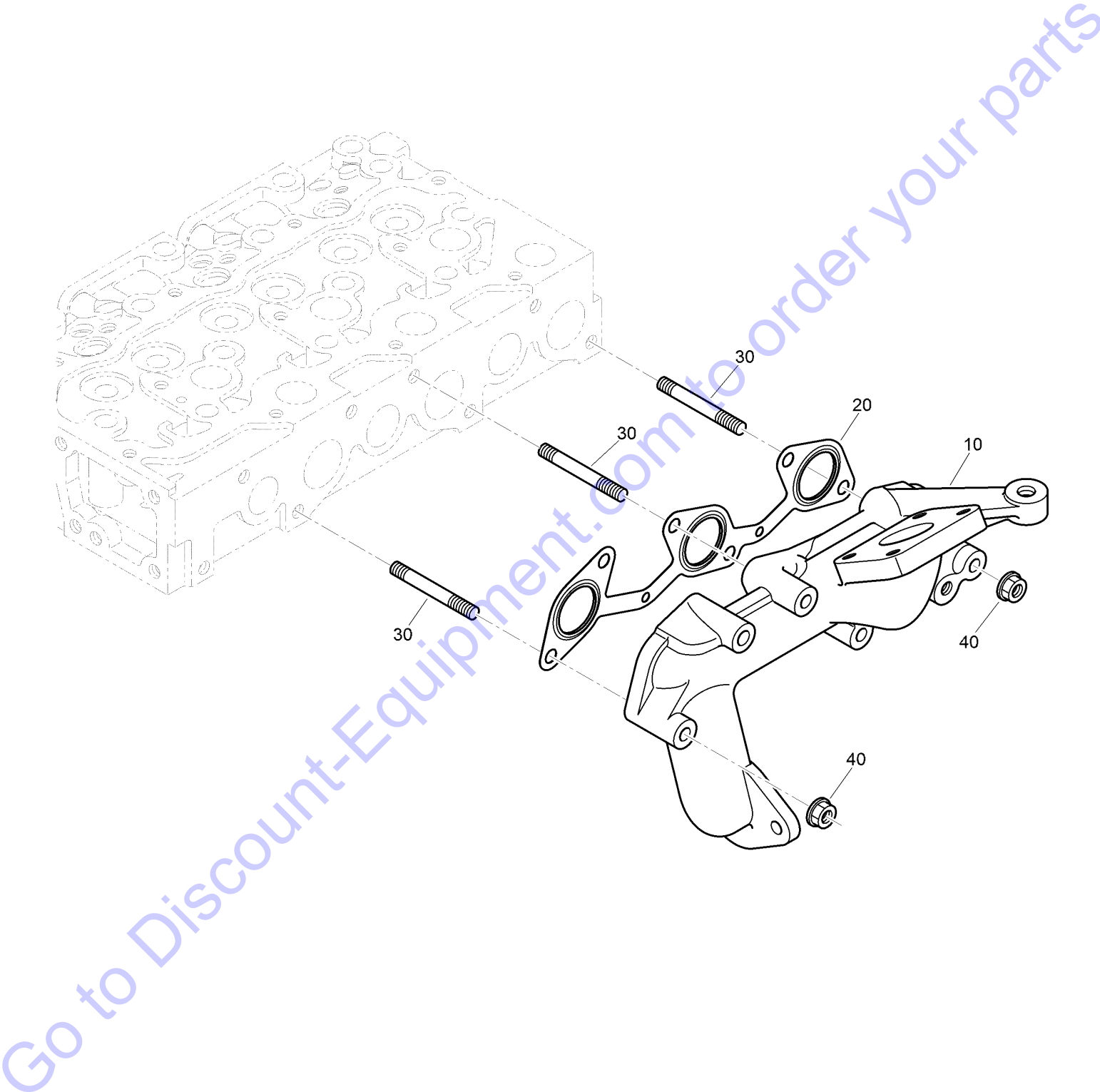


Inlet Hose Assembly (continued)

<i>Ref.</i>	<i>Part Number</i>	<i>Qty.</i>	<i>Description</i>	<i>Ref.</i>	<i>Part Number</i>	<i>Qty.</i>	<i>Description</i>
10	139-9746	1	Tube-Inlet, Turbo	30	139-4716	1	Clamp
20	139-9649	1	Pipe-Breather	40	139-4718	1	Clamp-Hose

Go to Discount-Equipment.com to order your parts

Exhaust Manifold Assembly



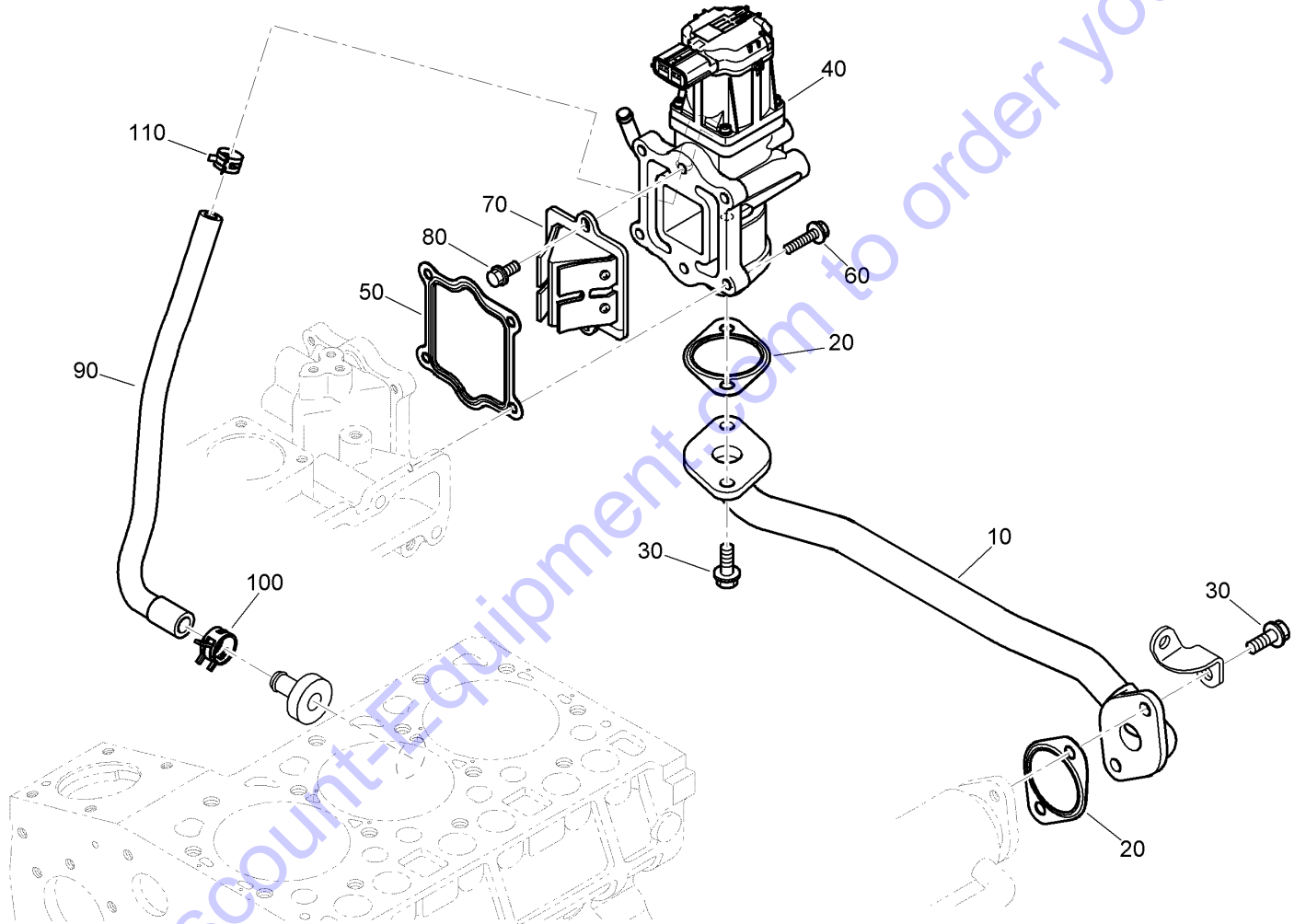
Exhaust Manifold Assembly (continued)

<i>Ref.</i>	<i>Part Number</i>	<i>Qty.</i>	<i>Description</i>
10	139-9773	1	Manifold-Exhaust
20	139-9760	1	Gasket-Manifold, Exhaust

<i>Ref.</i>	<i>Part Number</i>	<i>Qty.</i>	<i>Description</i>
30	139-9744	6	Stud
40	139-9691	6	Nut-Flange

Go to Discount-Equipment.com to order your parts

Exhaust Gas Recirculation Assembly

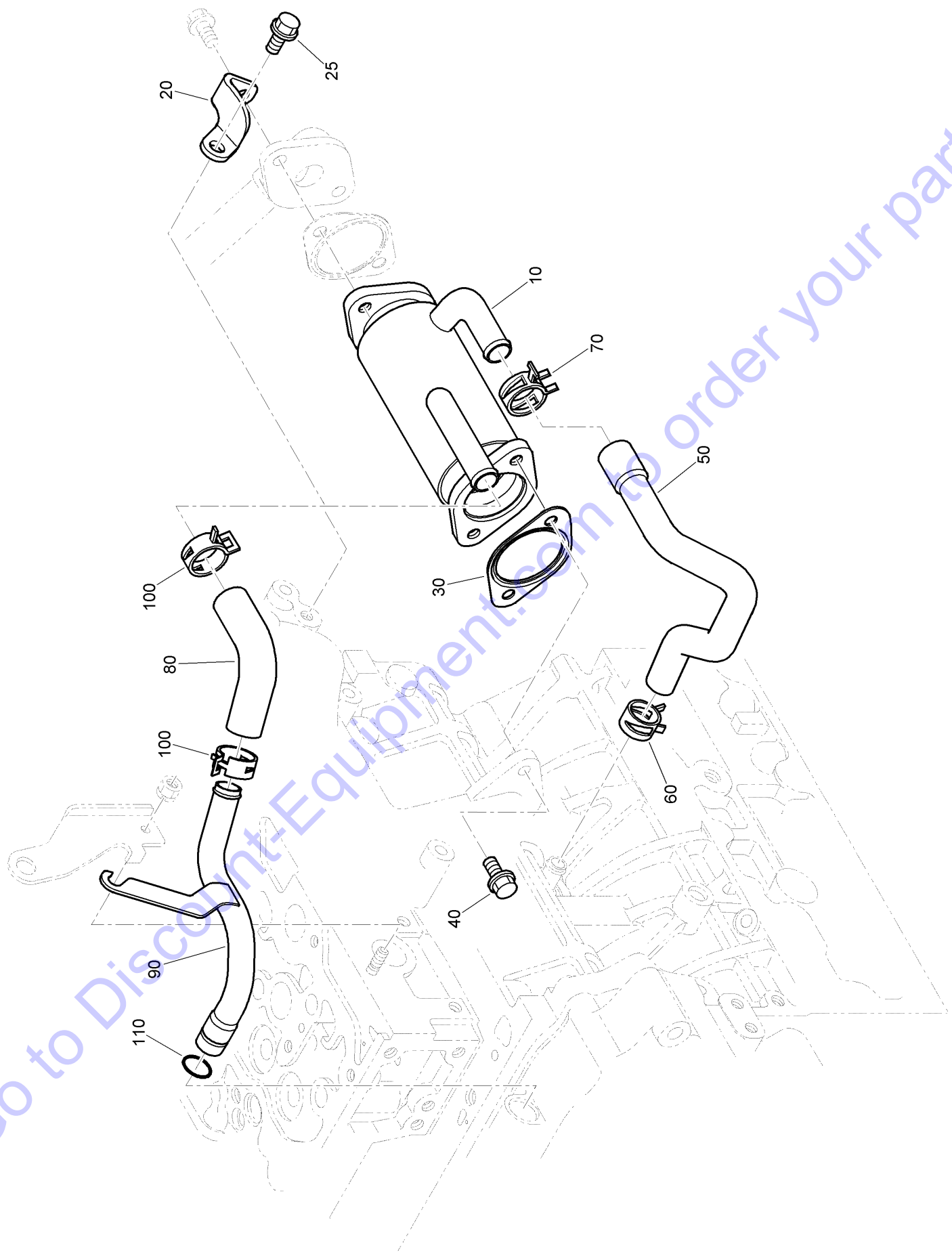


Exhaust Gas Recirculation Assembly (continued)

<i>Ref.</i>	<i>Part Number</i>	<i>Qty.</i>	<i>Description</i>	<i>Ref.</i>	<i>Part Number</i>	<i>Qty.</i>	<i>Description</i>
10	139-9785	1	Pipe-E G R	70	139-9692	1	Valve-Lead
20	139-9751	2	Gasket-Cooler, E G R	80	100-1774	2	Bolt-Flange
30	115-8583	4	Bolt-Flange	90	139-9770	1	Hose
40	139-9789	1	E G R Valve ASM	100	105-2879	1	Clamp-Hose
50	139-9750	1	Gasket-Valve, E G R	110	139-9515	1	Clamp-Hose
60	105-3789	4	Bolt				

Go to Discount-Equipment.com to order your parts

Exhaust Gas Recirculation Cooler Assembly



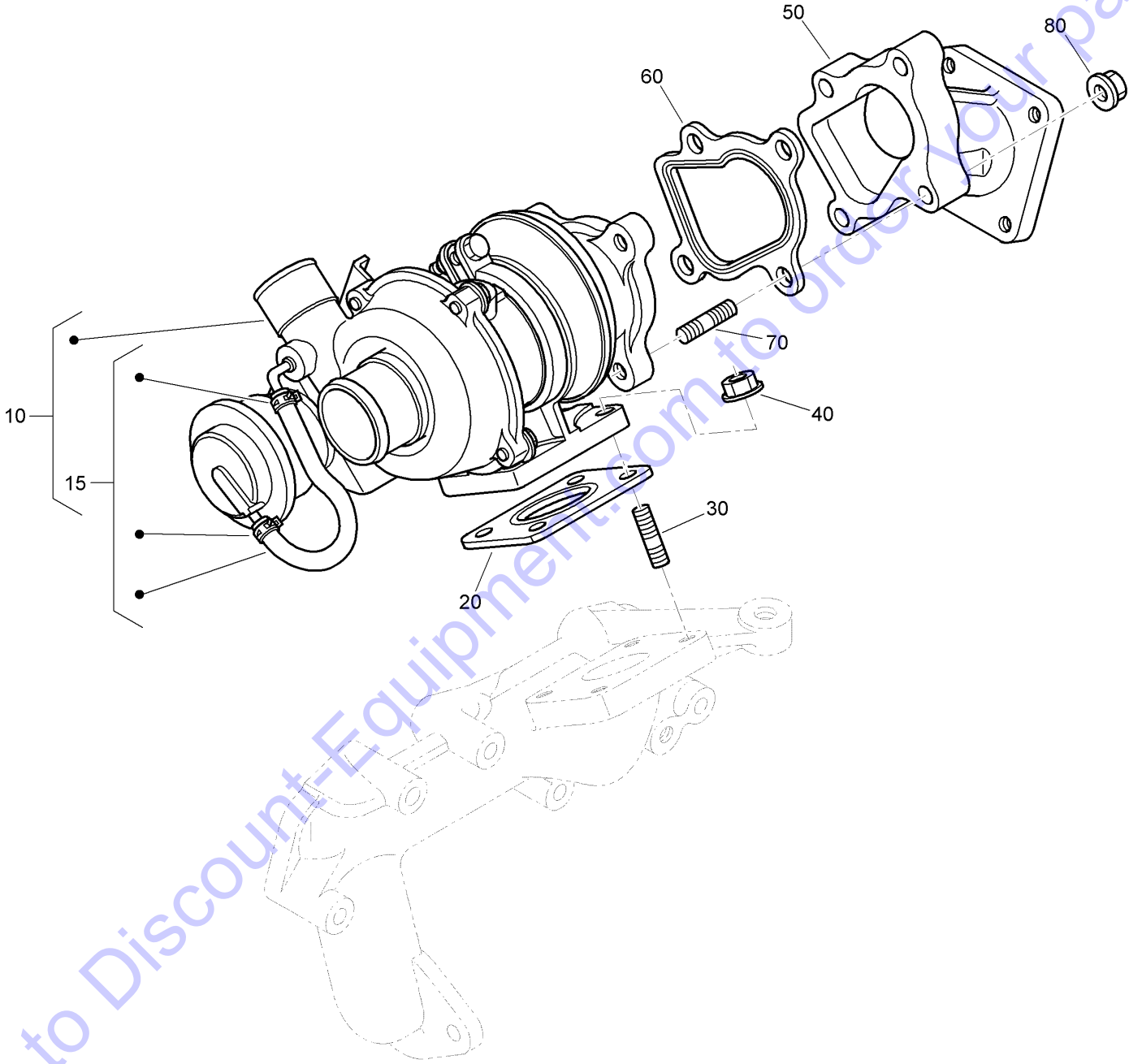
Go to Discount-Equipment.com to order your parts

Exhaust Gas Recirculation Cooler Assembly (continued)

<i>Ref.</i>	<i>Part Number</i>	<i>Qty.</i>	<i>Description</i>	<i>Ref.</i>	<i>Part Number</i>	<i>Qty.</i>	<i>Description</i>
10	139-9793	1	Cooler-E G R	60	105-2879	1	Clamp-Hose
20	139-9794	1	Stay-Cooler, E G R	70	98-9714	1	Clamp-Hose
25	130-1159	1	Bolt-Flange	80	139-4703	1	Hose-E G R C2
30	139-9751	1	Gasket-Cooler, E G R	90	139-9753	1	Pipe-E G R, C2
40	115-8583	2	Bolt-Flange	100	139-9591	2	Clamp-Hose
50	139-9686	1	Hose-E G R, C1	110	139-9511	1	O-Ring

Go to Discount-Equipment.com to order your parts

Turbo Charger Assembly



Go to Discount-Equipment.com to order your parts

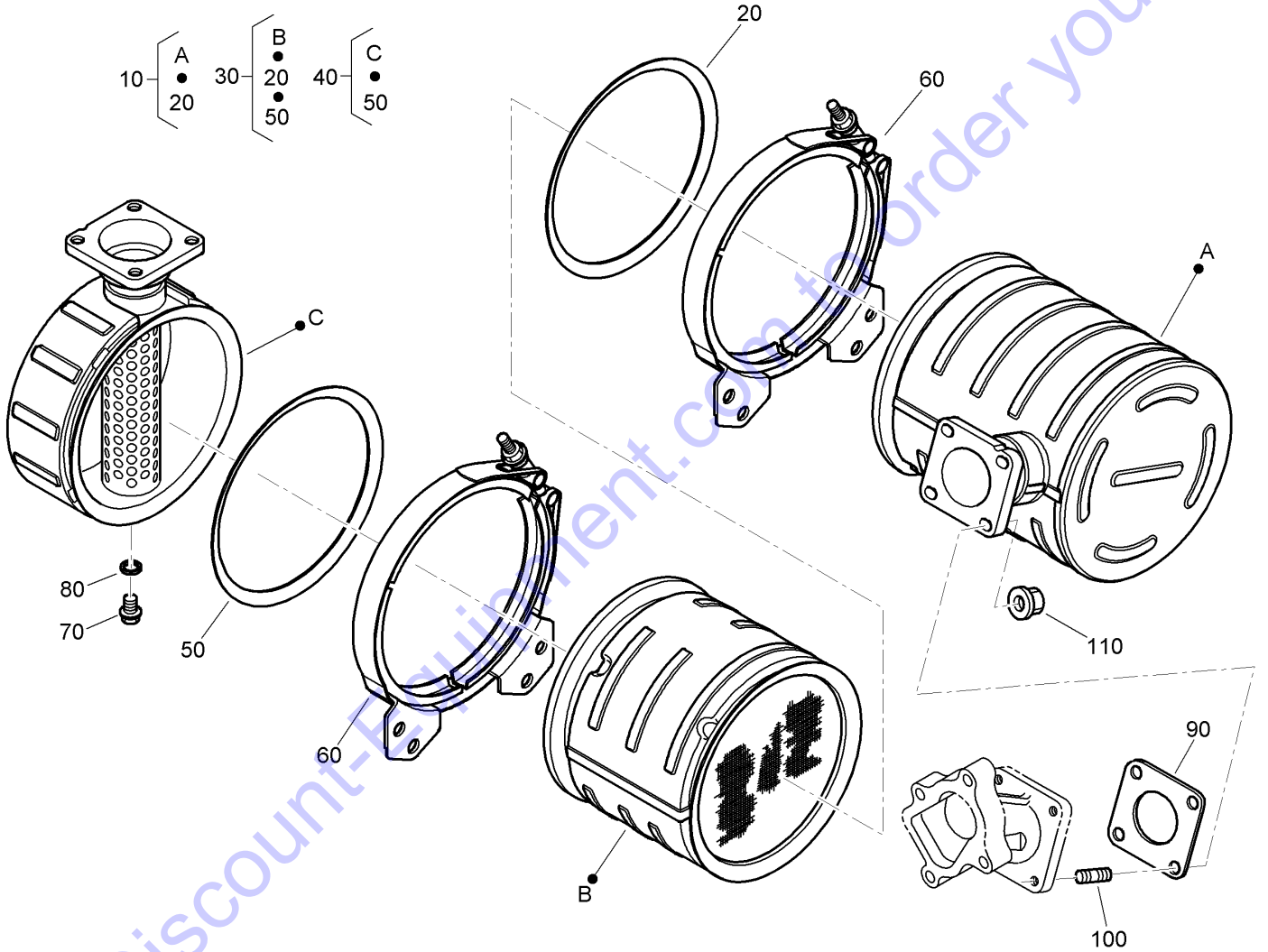
Turbo Charger Assembly (continued)

<i>Ref.</i>	<i>Part Number</i>	<i>Qty.</i>	<i>Description</i>
10	139-9784	1	Turbo Charger ASM
15	139-9673	1	Hose ASM
20	100-9314	1	Gasket
30	139-9689	4	Bolt-Stud
40	139-9691	4	Nut-Flange

<i>Ref.</i>	<i>Part Number</i>	<i>Qty.</i>	<i>Description</i>
50	139-9783	1	Flange-Muffler
60	139-9693	1	Gasket-Flange, Muffler
70	139-9625	4	Stud
80	139-9691	4	Nut-Flange

Go to Discount-Equipment.com to order your parts

Diesel Oxidation Catalyst Muffler Assembly

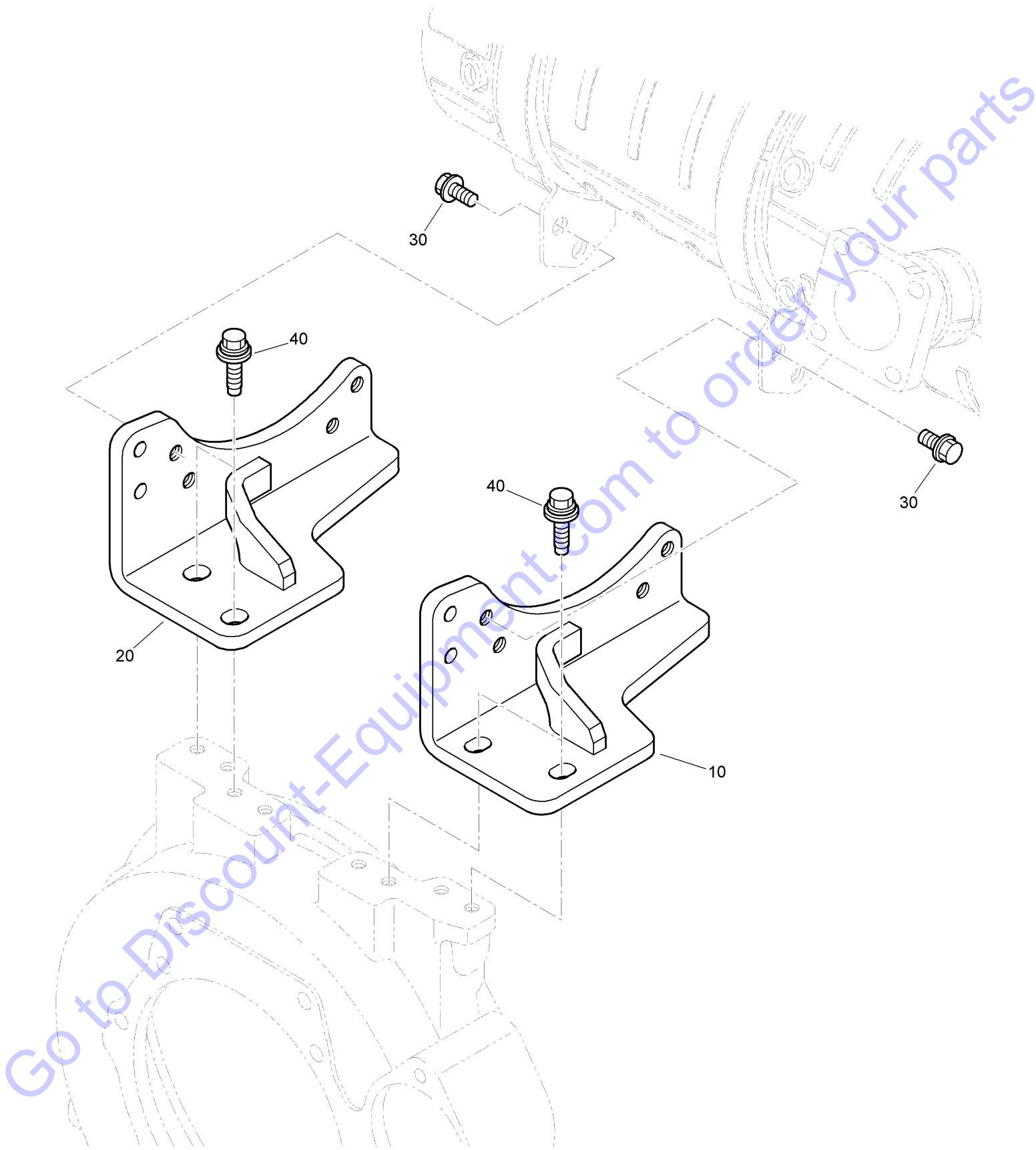


Diesel Oxidation Catalyst Muffler Assembly (continued)

<i>Ref.</i>	<i>Part Number</i>	<i>Qty.</i>	<i>Description</i>	<i>Ref.</i>	<i>Part Number</i>	<i>Qty.</i>	<i>Description</i>
10	139-9797	1	Doc1 Catalyst Kit	70	100-1774	1	Bolt-Flange
20	139-9733	2	Gasket-D P F	80	98-7654	1	Gasket
30	139-4721	1	Doc2 Catalyst Kit	90	100-9333	1	Gasket-Muffler
40	139-9698	1	Body Kit	100	139-9690	4	Bolt-Stud
50	139-9733	1	Gasket-D P F	110	139-9691	4	Nut-Flange
60	139-4706	2	Bracket-V Band, D P F				

Go to Discount-Equipment.com to order your parts

Diesel Oxidation Catalyst Muffler Bracket Assembly

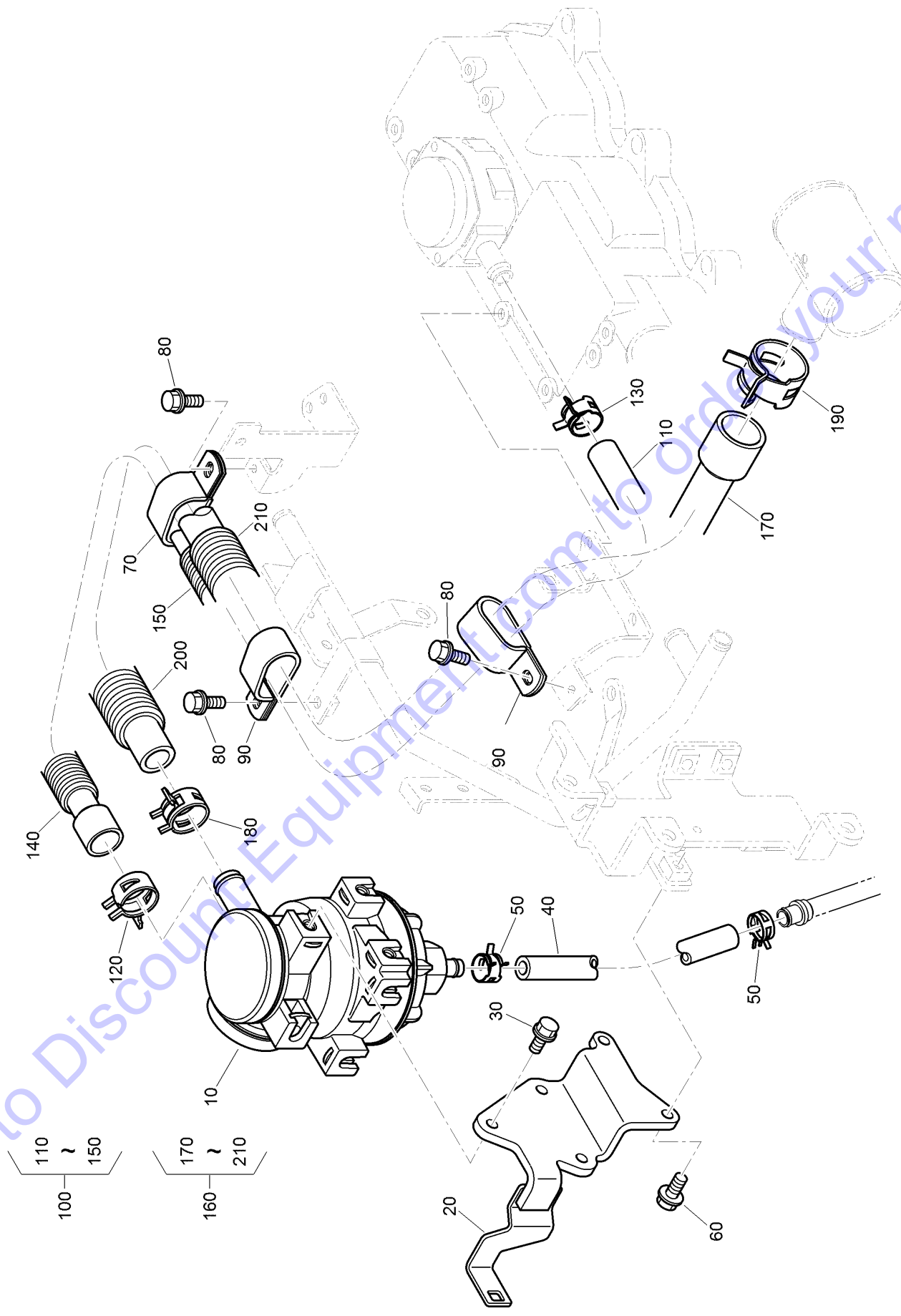


Diesel Oxidation Catalyst Muffler Bracket Assembly (continued)

<i>Ref.</i>	<i>Part Number</i>	<i>Qty.</i>	<i>Description</i>	<i>Ref.</i>	<i>Part Number</i>	<i>Qty.</i>	<i>Description</i>
10	139-9734	1	Bracket-D P F 1	30	127-0406	8	Bolt-Flange
20	139-9735	1	Bracket-D P F 2	40	139-4714	4	Bolt

Go to Discount-Equipment.com to order your parts

Oil Separator Assembly



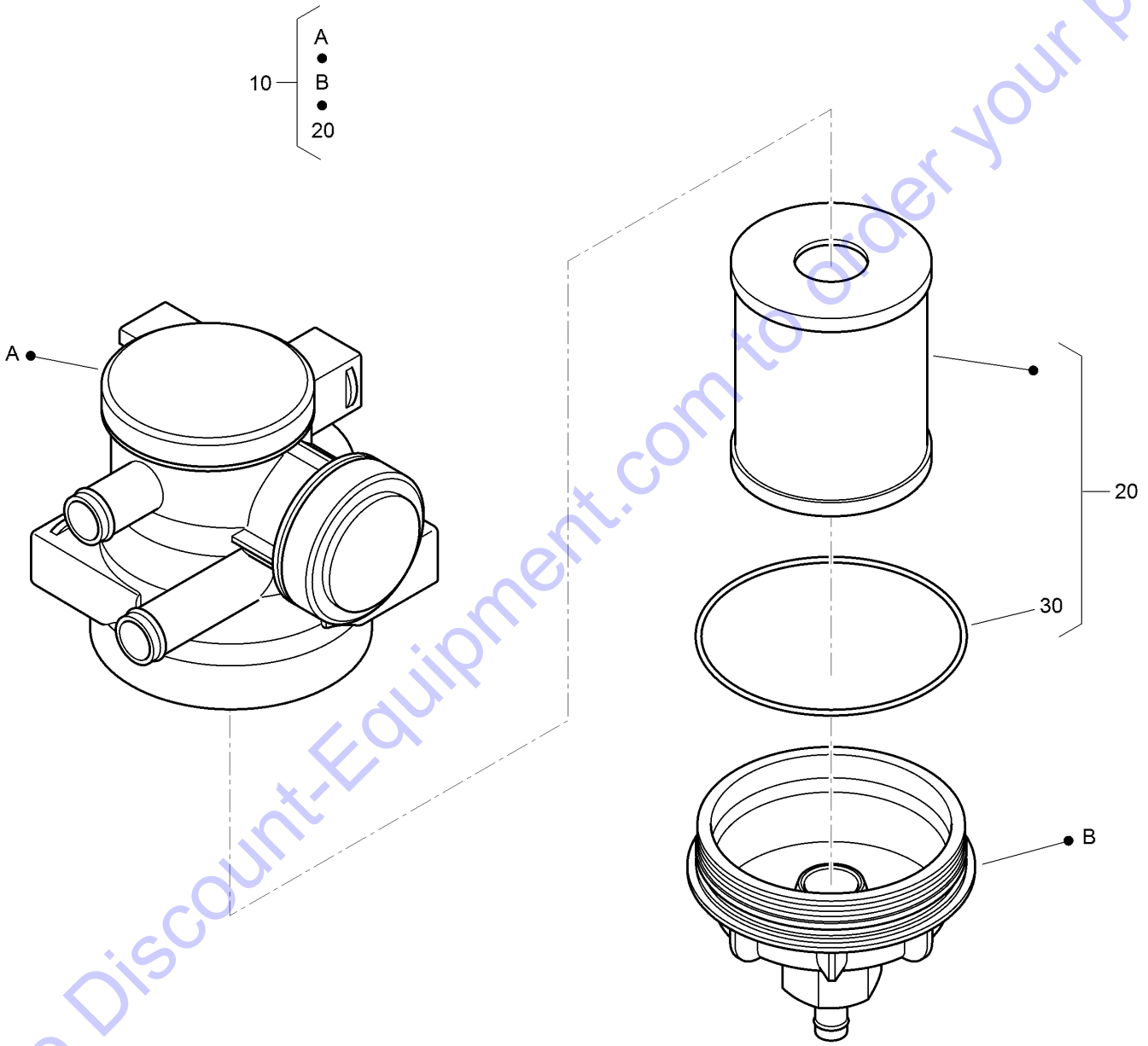
Oil Separator Assembly (continued)

<i>Ref.</i>	<i>Part Number</i>	<i>Qty.</i>	<i>Description</i>	<i>Ref.</i>	<i>Part Number</i>	<i>Qty.</i>	<i>Description</i>
10	139-9695	1	Separator ASM	120	98-9714	1	Clamp-Hose
20	139-9780	1	Bracket-Separator	130	115-8524	1	Clamp-Hose
30	127-0403	3	Bolt-Flange	140	139-9650	1	Tube-Pipe
40	139-9757	1	Tube-Return, Oil	150	139-9786	1	Tube-Corrugate
50	139-9515	2	Clamp-Hose	160	139-9779	1	Breather 2 Tube ASM
60	127-0403	2	Bolt-Flange	170	139-9782	1	Tube-Breather 2
70	139-9748	1	Clamp-Hose	180	98-9714	1	Clamp-Hose
80	100-1774	3	Bolt-Flange	190	139-9516	1	Clamp-Hose
90	139-4708	2	Clamp-Hose	200	139-9787	1	Tube-Corrugate
100	139-9778	1	Breather 1 Tube ASM	210	139-9788	1	Tube-Corrugate
110	139-9781	1	Tube-Breather 1				

Go to Discount-Equipment.com to order your parts

Oil Separator (Component Parts) Assembly

Go to Discount-Equipment.com to order your parts



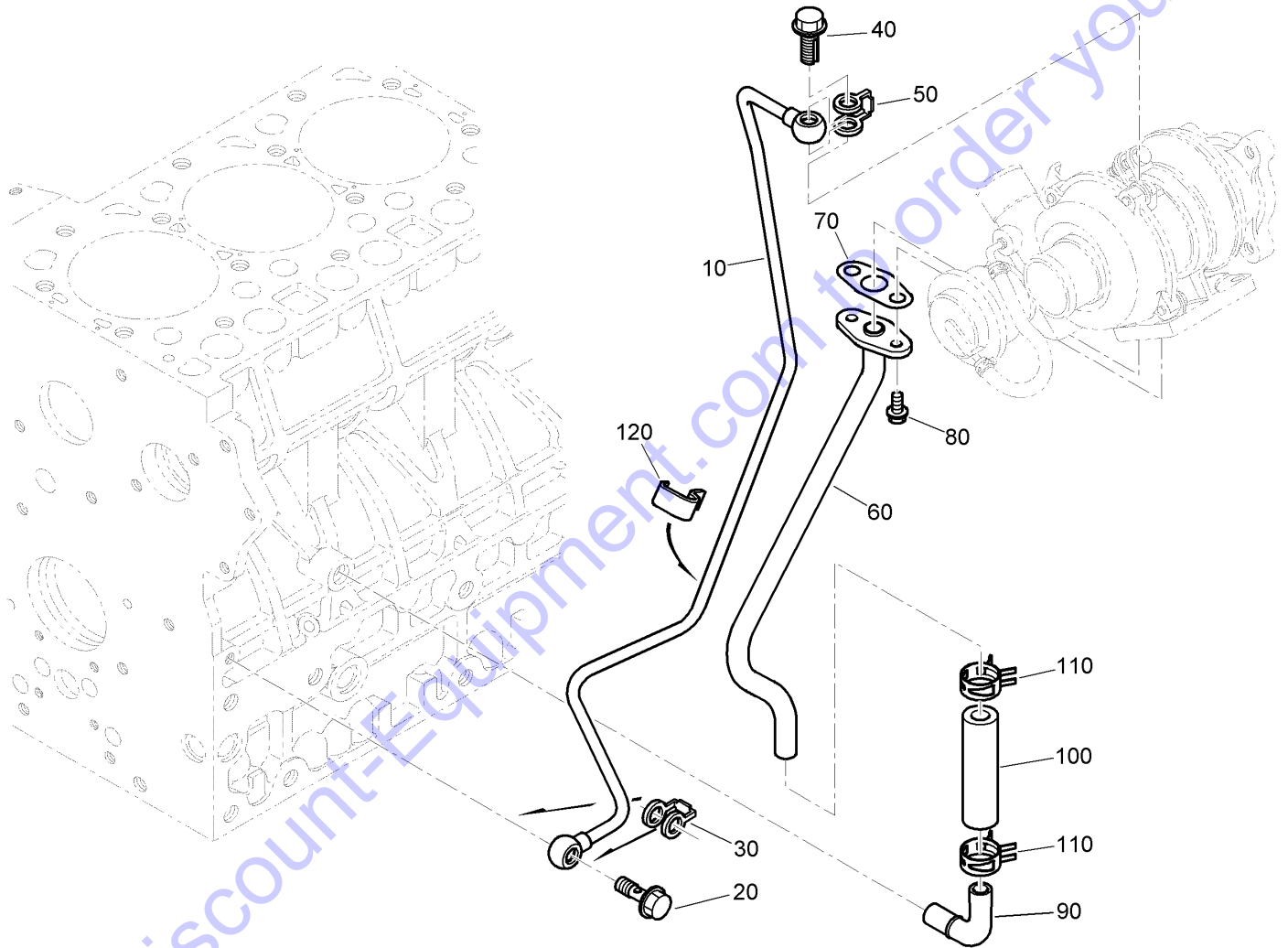
Oil Separator (Component Parts) Assembly (continued)

<i>Ref.</i>	<i>Part Number</i>	<i>Qty.</i>	<i>Description</i>
10	139-9695	1	Separator ASM
20	139-9697	1	Element Kit
30	139-9696	1	O-Ring

Go to Discount-Equipment.com to order your parts

Oil Pipe (Turbo Charger) Assembly

Go to Discount-Equipment.com to order your parts

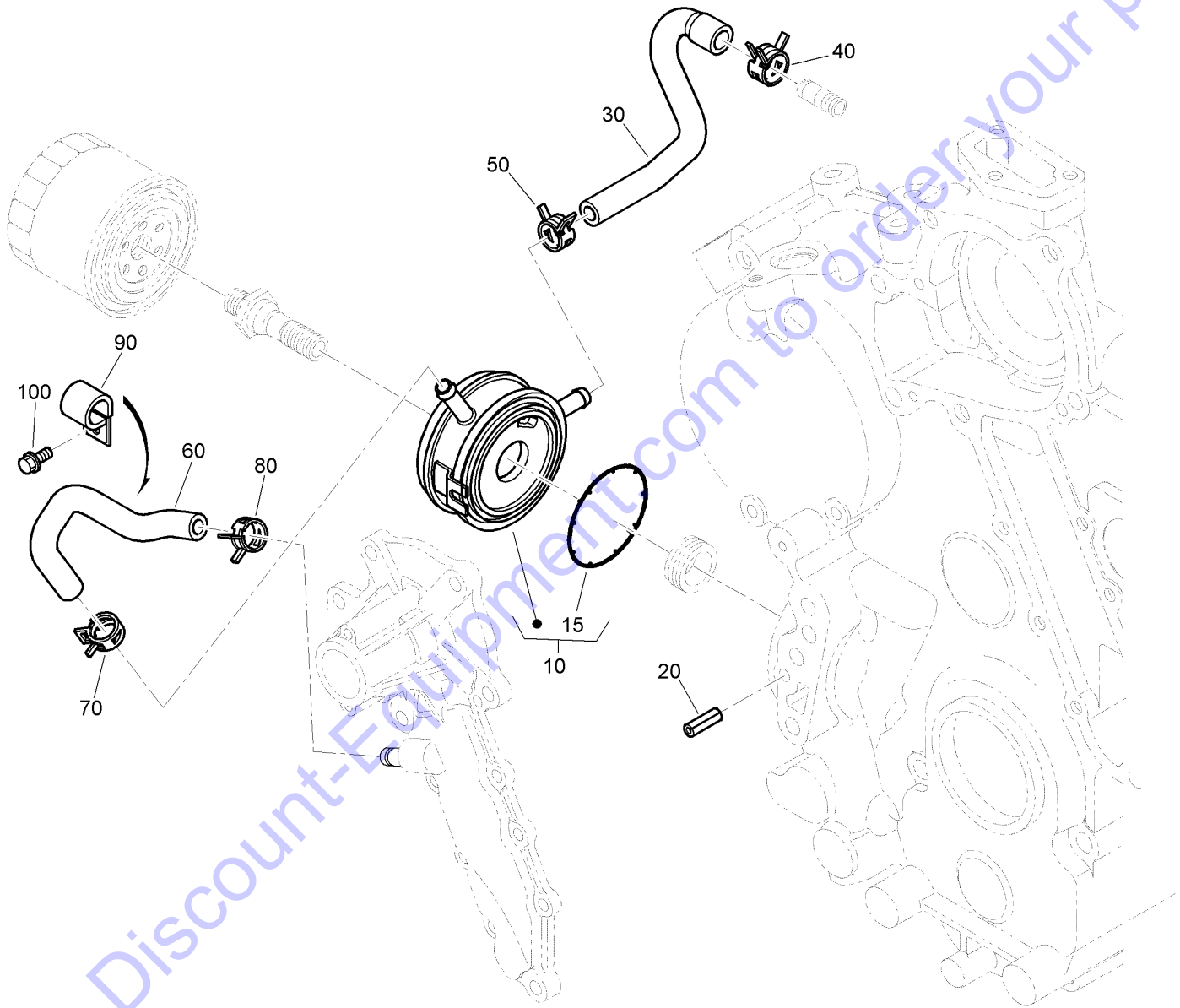


Oil Pipe (Turbo Charger) Assembly (continued)

<i>Ref.</i>	<i>Part Number</i>	<i>Qty.</i>	<i>Description</i>	<i>Ref.</i>	<i>Part Number</i>	<i>Qty.</i>	<i>Description</i>
10	139-9774	1	Pipe	70	139-9627	1	Gasket-Pipe, Oil
20	130-1564	1	Bolt-Connect	80	100-1774	2	Bolt-Flange
30	139-9639	1	Gasket	90	100-9323	1	Pipe-Oil
40	139-9679	1	Bolt-Joint, Eye	100	139-9680	1	Tube-Oil
50	130-1423	1	Gasket	110	98-9714	2	Clamp-Hose
60	139-9775	1	Pipe-Oil 2	120	139-9776	1	Clamp-Pipe

Go to Discount-Equipment.com to order your parts

Oil Cooler Assembly

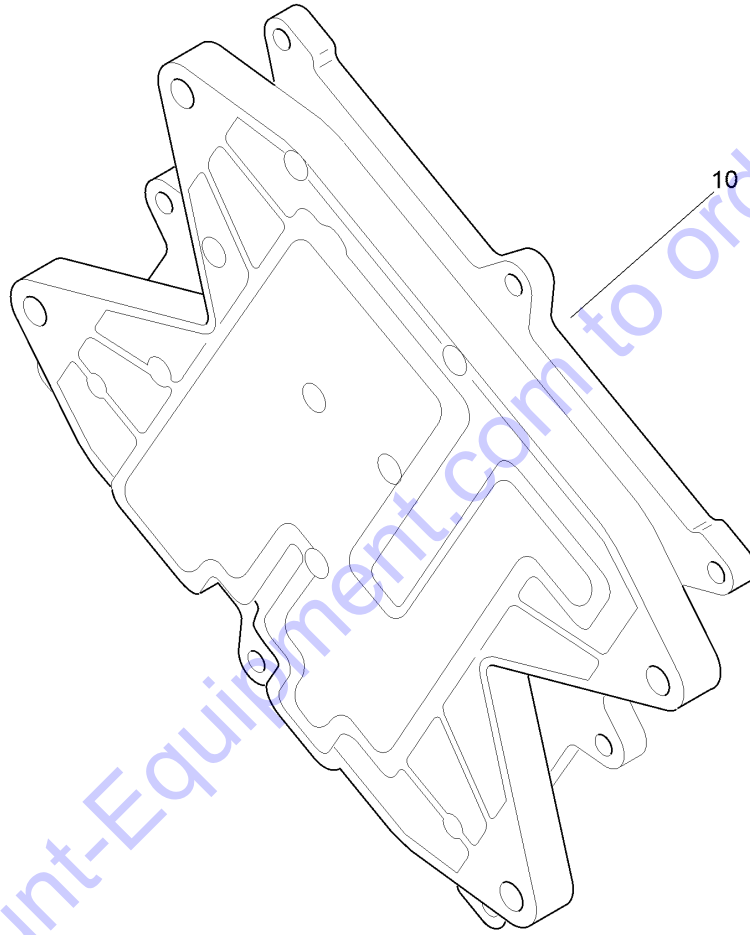


Oil Cooler Assembly (continued)

<i>Ref.</i>	<i>Part Number</i>	<i>Qty.</i>	<i>Description</i>	<i>Ref.</i>	<i>Part Number</i>	<i>Qty.</i>	<i>Description</i>
10	139-9666	1	Oil Cooler ASM	60	139-9736	1	Hose-Cooler, Oil
15	139-9667	1	Packing	70	98-9579	1	Band-Pipe
20	130-1169	1	Pin-Roller	80	98-9579	1	Band-Pipe
30	139-9604	1	Hose-Cooler, Oil	90	139-9737	1	Clamp
40	105-2879	1	Clamp-Hose	100	100-1774	1	Bolt-Flange
50	98-9579	1	Band-Pipe				

Go to Discount-Equipment.com to order your parts

Electronic Control Unit Assembly



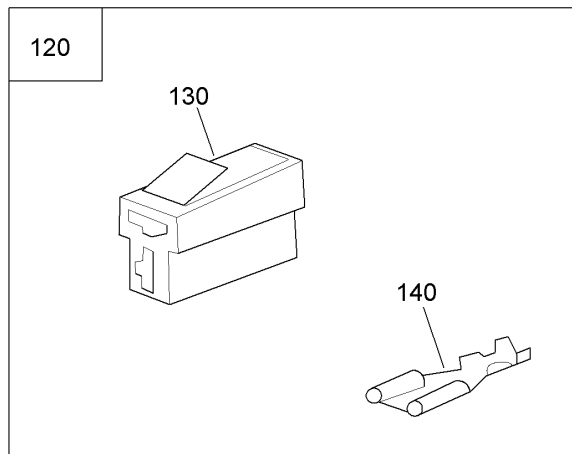
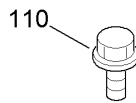
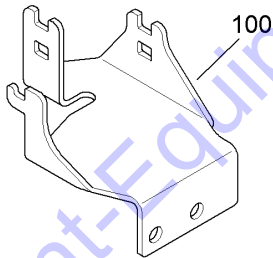
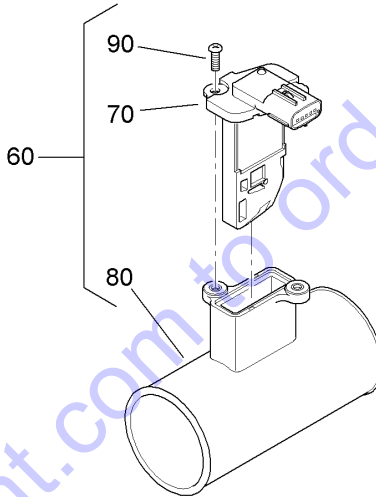
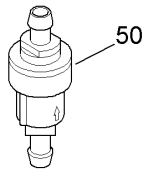
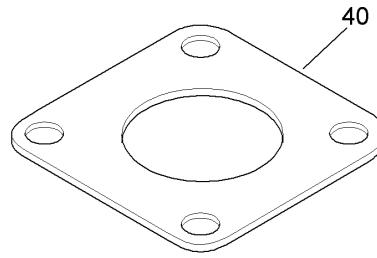
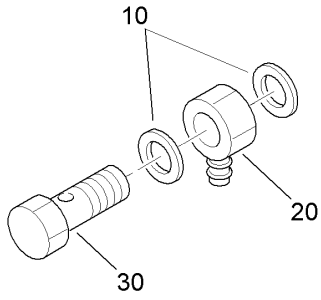
Go to Discount-Equipment.com to order your parts

Electronic Control Unit Assembly (continued)

<i>Ref.</i>	<i>Part Number</i>	<i>Qty.</i>	<i>Description</i>
10	139-9681	1	E C U ASM

Go to Discount-Equipment.com to order your parts

Miscellaneous Engine Parts



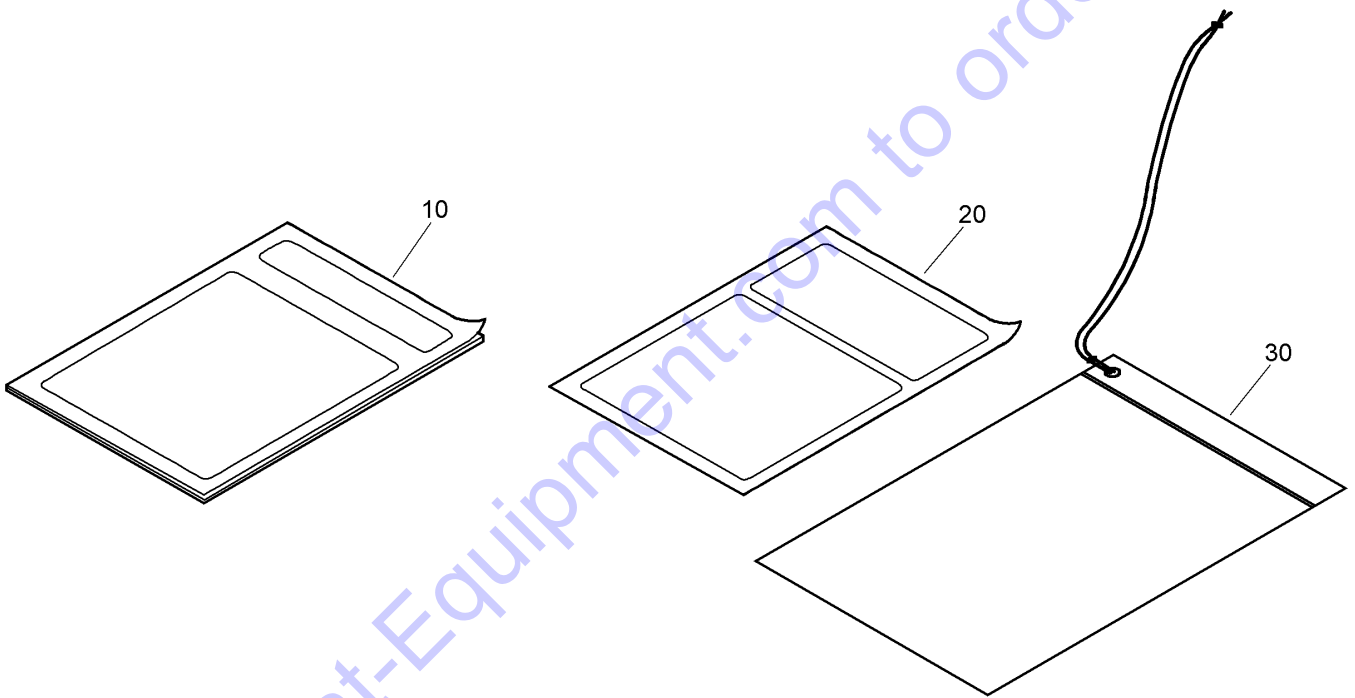
Go to Discount-Equipment.com to order your parts

Miscellaneous Engine Parts (continued)

<i>Ref.</i>	<i>Part Number</i>	<i>Qty.</i>	<i>Description</i>	<i>Ref.</i>	<i>Part Number</i>	<i>Qty.</i>	<i>Description</i>
10	137-0067	8	O-Ring	80	139-9730	1	Pipe-Flow, Air
20	137-0065	4	Adapter-Fuel	90	139-9507	2	Screw-Phillips, Pan Head
30	137-0066	4	Bolt-Joint	100	139-9633	1	Bracket
40	100-9333	1	Gasket-Muffler	110	130-1159	2	Bolt-Flange
50	139-9669	1	Valve-Check, Fuel	120	98-9699	2	Terminal
60	136-4741	1	Sensor	130	139-9590	1	Coupler ASM
70	139-9688	1	Sensor-Flow, Air	140	98-9698	1	Connector

Go to Discount-Equipment.com to order your parts

Operator Manual



Go to Discount-Equipment.com to order your parts

Operator Manual (continued)

<i>Ref.</i>	<i>Part Number</i>	<i>Qty.</i>	<i>Description</i>
10	139-9699	1	Manual-Operator
20	139-9682	1	Manual-Instruction
30	139-9687	1	Bag-Plastic

Go to Discount-Equipment.com to order your parts

Attachments and Accessories

For 22531 TXL 2000 Tool Carrier

Product Name	Model/Part
Locking Fuel Cap.....	126-4107
Green Ultra-Low Sulfur Diesel Fuel Cap.....	136-4866
Light Kit.....	136-4890
1000 Hour Filter Kit.....	136-4897
50 Hour Filter Kit.....	136-4898
400 Hour Filter Kit.....	136-4899
Auxiliary Wire Harness Kit.....	139-1188
Auger Drive.....	22532
Trencher Head.....	22533
Brush Cutter.....	22534
Grapple.....	22535
Power Rake.....	22536
Angle Broom.....	22538
Skeleton Grapple.....	22541
Tiller.....	22542
Pick-Up Broom.....	22543
High Volume Bucket with Edge.....	22546
Standard Bucket with Edge.....	22547
Grading Bucket.....	22548
Adjustable Forks.....	22549
Leveler.....	22550
U-Blade.....	22572
Stump Bucket.....	22573
Standard Bucket without Edge.....	22576

Go to Discount-Equipment.com to order your parts

PARTS FINDER

**Search Website
by Part Number**



**Search Manual
Library For Parts
Manual & Lookup Part
Numbers – Purchase
or Request Quote**

Search Manuals

Enter your information to help us find the right parts manual for your machine.

* Brand:

* Model:

* Serial:

* Part Number:

SEARCH

**Can't Find Part or
Manual? Request Help
by Manufacturer,
Model & Description**

Parts Order Form

Please fill in the following information to help us find the right part for your machine.

Manufacturer:	<input type="text"/>
Model:	<input type="text"/>
Description:	<input type="text"/>
Part Number:	<input type="text"/>
Quantity:	<input type="text"/>
Notes:	<input type="text"/>

Submit

Discount-Equipment.com is your online resource for quality parts & equipment.

Florida: **561-964-4949** Outside Florida TOLL FREE: **877-690-3101**

Need parts?

Click on this link: <http://www.discount-equipment.com/category/5443-parts/> and choose one of the options to help get the right parts and equipment you are looking for. Please have the machine model and serial number available in order to help us get you the correct parts. If you don't find the part on the website or on one of the online manuals, please fill out the request form and one of our experienced staff members will get back to you with a quote for the right part that your machine needs.

We sell worldwide for the brands: Genie, Terex, JLG, MultiQuip, Mikasa, Essick, Whiteman, Mayco, Toro Stone, Diamond Products, Generac Magnum, Airman, Haulotte, Barreto, Power Blanket, Nifty Lift, Atlas Copco, Chicago Pneumatic, Allmand, Miller Curber, Skyjack, Lull, Skytrak, Tsurumi, Husquvarna Target, Stow, Wacker, Sakai, Mi-T-M, Sullair, Basic, Dynapac, MBW, Weber, Bartell, Bennar Newman, Haulotte, Ditch Runner, Menegotti, Morrison, Contec, Buddy, Crown, Edco, Wyco, Bomag, Laymor, EZ Trench, Bil-Jax, F.S. Curtis, Gehl Pavers, Heli, Honda, ICS/PowerGrit, IHI, Partner, Imer, Clipper, MMD, Koshin, Rice, CH&E, General Equipment, Amida, Coleman, NAC, Gradall, Square Shooter, Kent, Stanley, Tamco, Toku, Hatz, Kohler, Robin, Wisconsin, Northrock, Oztec, Toker TK, Rol-Air, APT, Wylie, Ingersoll Rand / Doosan, Innovatech, Con X, Ammann, Mecalac, Makinex, Smith Surface Prep, Small Line, Wanco, Yanmar



Count on it.



www.discount-equipment.com

Go to Discount-Equipment.com to order your parts