



Count on it.

Parts Catalog

**TX 1000 Wide Track
Compact Tool Carrier**

Model No. 22328—Serial No. 412900000 and Up

Go to Discount-Equipment.com to order your parts



www.discount-equipment.com



PARTS FINDER

**Search Website
by Part Number**



**Search Manual
Library For Parts
Manual & Lookup Part
Numbers – Purchase
or Request Quote**

Search Manuals

Enter your information to help us find the right parts manual for your equipment.

* Brand:

* Model:

* Serial:

* Part Number:

SEARCH

**Can't Find Part or
Manual? Request Help
by Manufacturer,
Model & Description**

Parts Order Form

Please fill in the following information to help us find the right part for your equipment.

Manufacturer:	<input type="text"/>
Model:	<input type="text"/>
Description:	<input type="text"/>
Part Number:	<input type="text"/>
Quantity:	<input type="text"/>
Notes:	<input type="text"/>

Submit

Discount-Equipment.com is your online resource for quality parts & equipment.

Florida: **561-964-4949** Outside Florida TOLL FREE: **877-690-3101**

Need parts?

Click on this link: <http://www.discount-equipment.com/category/5443-parts/> and choose one of the options to help get the right parts and equipment you are looking for. Please have the machine model and serial number available in order to help us get you the correct parts. If you don't find the part on the website or on one of the online manuals, please fill out the request form and one of our experienced staff members will get back to you with a quote for the right part that your machine needs.

We sell worldwide for the brands: Genie, Terex, JLG, MultiQuip, Mikasa, Essick, Whiteman, Mayco, Toro Stone, Diamond Products, Generac Magnum, Airman, Haulotte, Barreto, Power Blanket, Nifty Lift, Atlas Copco, Chicago Pneumatic, Allmand, Miller Curber, Skyjack, Lull, Skytrak, Tsurumi, Husquvarna Target, Stow, Wacker, Sakai, Mi-T-M, Sullair, Basic, Dynapac, MBW, Weber, Bartell, Bennar Newman, Haulotte, Ditch Runner, Menegotti, Morrison, Contec, Buddy, Crown, Edco, Wyco, Bomag, Laymor, EZ Trench, Bil-Jax, F.S. Curtis, Gehl Pavers, Heli, Honda, ICS/PowerGrit, IHI, Partner, Imer, Clipper, MMD, Koshin, Rice, CH&E, General Equipment, Amida, Coleman, NAC, Gradall, Square Shooter, Kent, Stanley, Tamco, Toku, Hatz, Kohler, Robin, Wisconsin, Northrock, Oztec, Toker TK, Rol-Air, APT, Wylie, Ingersoll Rand / Doosan, Innovatech, Con X, Ammann, Mecalac, Makinex, Smith Surface Prep, Small Line, Wanco, Yanmar

Ordering Replacement Parts

To order replacement parts, please supply the part number, the quantity, and the description of each part desired.

Understanding Reference Numbers

Each identified part in an illustration has a reference number. The reference number for a part also appears in the parts list, along with other information about the part.

This catalog uses two special reference number formats, one to indicate parts in a service assembly and another to indicate the quantity of a given part in an illustration.

Service Assembly Reference Numbers

Parts in service assemblies have reference numbers in the form a:b. The a represents the reference number of the entire service assembly and the b represents a sequential number unique to each part within the service assembly.

For example, a wheel assembly might be identified by reference number 6, the tire by 6:1, the valve by 6:2, and the wheel by 6:3. When you order the assembly identified by reference number 6, you receive all parts identified by reference numbers 6:1, 6:2, and 6:3. However, you may also order any part individually. Reference numbers of this type appear in illustration and in parts lists.

Reference Numbers Indicating Quantity

In an illustration, if a reference number indicates more than one part, the reference number has the form nX y. The n represents the quantity of the part, the X is the multiplication symbol, and the y represents the reference number.

For example, in an illustration, the reference number 2X 37 means that two of the parts identified by reference number 37 are indicated.

Go to Discount-Equipment.com to order your parts

Contents

Frame Assembly	6
LH Fuel Tank Assembly No. 130-1026	8
RH Fuel Tank Assembly No. 130-1027	10
Hydraulic Tank and Track Shaft Assembly	12
Track, Drive Wheel and Tensioner Assembly	14
Brake Assembly	16
Front Tower Assembly	18
Hydraulic Motor and Hose Assembly	20
Hydraulic Motor Assembly No. 138-0761	22
Hydraulic Motor Assembly No. 138-0778	24
Radiator and Air Cleaner Assembly	26
Air Cleaner Assembly No. 93-2190	28
Engine and Muffler Assembly	30
Tandem Pump and Gear Pump Assembly	32
Tandem Pump Assembly No. 138-0767	34
Gear Pump Assembly No. 130-7731	36
Control Valve and Reference Bar Assembly	38
Control Valve Assembly No. 145-3279	40
2-Spool Valve and Auxiliary Valve Assembly	42
2-Spool Valve Assembly No. 144-7353	44
Double Detent Auxiliary Valve Assembly No. 145-4402	46
Loader Arm Assembly	48
Hydraulic Cylinder Assembly No. 140-7634	50
Hydraulic Cylinder Assembly No. 139-0779	52
Loader Hydraulic Assembly	54
Quick Attach Assembly	56
Front Cover and Side Panel Assembly	58
Hood Assembly	60
Manual Tube Assembly	62
Platform Assembly	64
Electrical Assembly	66
Crankcase Assembly	68
Oil Pan Assembly	69
Cylinder Head Assembly	70
Gear Case Assembly	71
Cylinder Head Cover Assembly	72
Dipstick and Guide Assembly	73
Main Bearing Case Assembly	74
Camshaft and Idle Gear Shaft Assembly	75
Piston and Crankshaft Assembly	76
Flywheel Assembly	77
Fuel Camshaft and Governor Shaft Assembly	78
Idle Apparatus Assembly	79
Stop Solenoid Assembly	80
Injection Pump Assembly	81
Governor Assembly	82
Speed Control Plate Assembly	83
Nozzle Holder and Glow Plug Assembly	84
Nozzle Holder Assembly	85
Alternator and Pulley Assembly	86
Alternator Components Assembly	87
Starter Installation Assembly	88
Starter Component Assembly	89
Water Flange and Thermostat Assembly	90

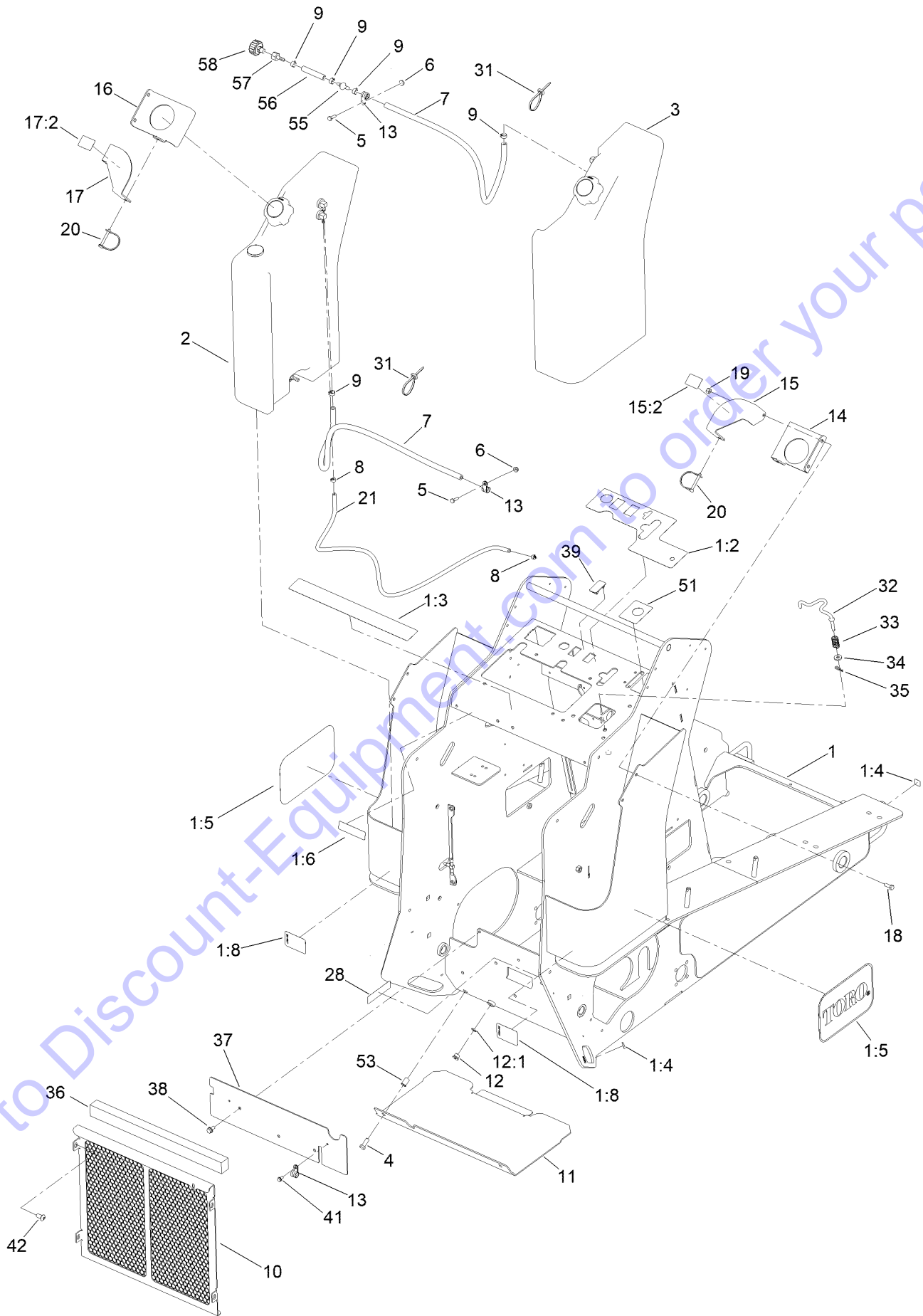
Contents (continued)

Water Pump Assembly	91
Valve and Rocker Arm Assembly.....	92
Inlet and Exhaust Manifold Assembly	93
Accessories and Service Parts.....	94
Upper Gasket Kit	95
Lower Gasket Kit	96
Attachments and Accessories	97

Go to Discount-Equipment.com to order your parts

Go to Discount-Equipment.com to order your parts

Frame Assembly

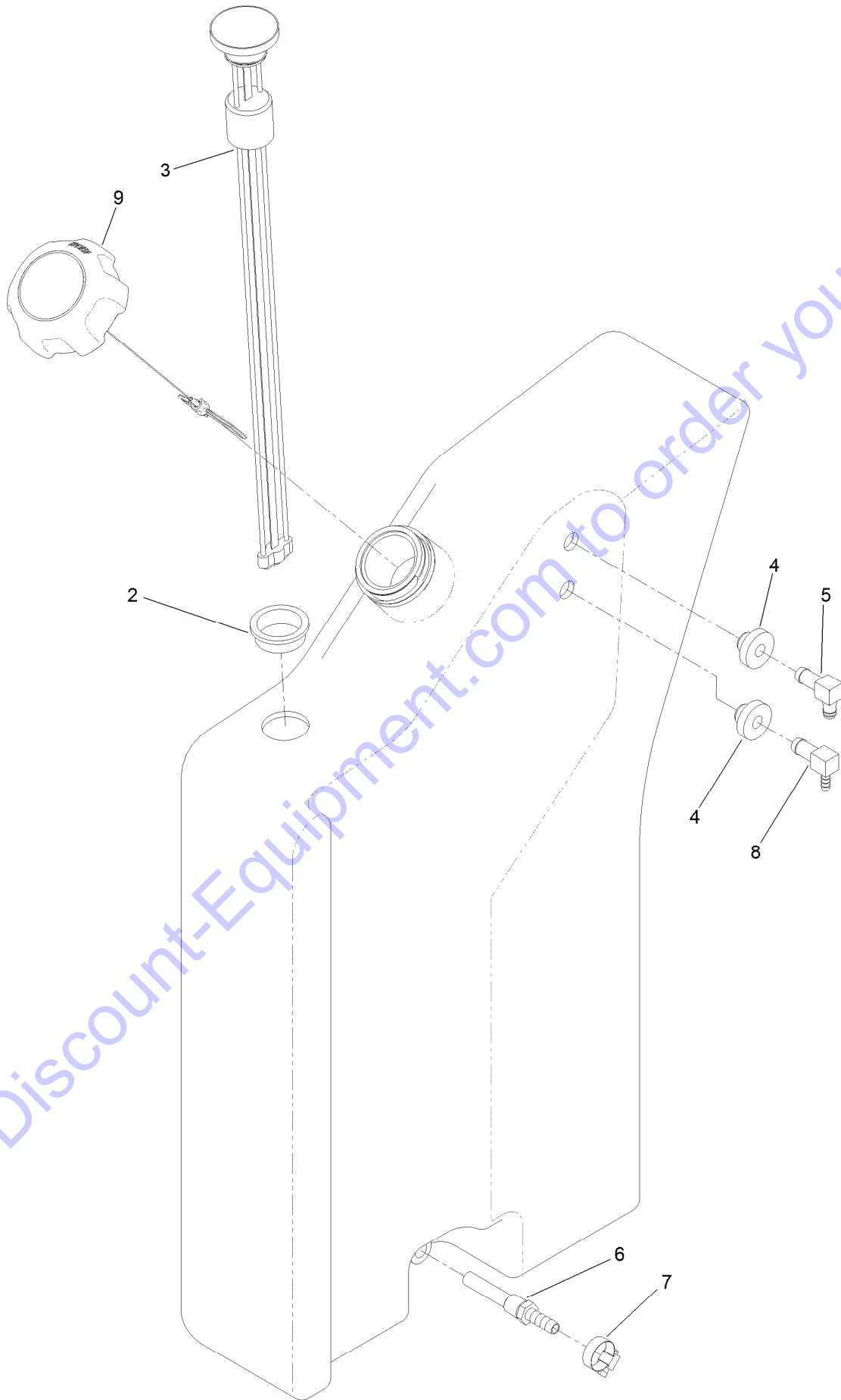


Go to Discount-Equipment.com to order your parts

Frame Assembly (continued)

<i>Ref.</i>	<i>Part Number</i>	<i>Qty.</i>	<i>Description</i>	<i>Ref.</i>	<i>Part Number</i>	<i>Qty.</i>	<i>Description</i>
1	144-7379	1	Tx1000 Frame ASM (Service)	16	130-1134-03	1	Plate-Hold Down, LH
1:2	138-0828	1	Decal-Control Panel	17	130-5316	1	Plate-Lock, Fuel Cap, LH
1:3	145-0637	1	Decal-Safety	17:2	93-6680	1	Decal-Diesel
1:4	93-9084	4	Decal-Point, Lift	18	322-4	4	Screw-HH
1:5	66-6140	2	Decal	19	3296-29	4	Nut-Lock, NI
1:6	115-4865	1	Decal-Fill, Radiator	20	100-1663	2	Pin-Hitch
1:8	100-4627	2	Reflector	21	130-7714	1	Hose-Fuel
2	130-1026	1	LH Fuel Tank ASM	28	133-8062	1	Decal-Arrestor, Spark
3	130-1027	1	RH Fuel Tank ASM	31	3290-378	2	Tie-Cable
4	323-6	2	Screw-HH	32	131-0713	1	Rod-Interlock
5	321-5	2	Screw-HH	33	85-6750	1	Spring-Control
6	32128-33	2	Nut-HF	34	88-7200	1	Washer-Flat
7	109-0309	2	Hose-Fuel	35	3290-307	1	Pin-Cotter
8	2412-80	2	Clamp-Hose	36	131-9175	1	Seal-Foam
9	92-2379	8	Clamp-Hose	37	145-3757-01	1	Panel, Frame
10	145-3756-03	1	Screen ASM	38	32144-14	3	Screw-HWHTF
11	130-0995-01	1	Cover-Bottom	39	99-7420	1	Plug-Hole
12	353-989	1	Plug-Hex, Hollow	41	32144-4	2	Screw-HWH
12:1	237-42	1	O-Ring	42	3274-80	4	Screw-HH
13	2412-134	4	Clamp-R	51	137-9030	1	Decal-Ignition Switch
14	130-1104-03	1	Plate-Hold Down, RH	53	32148-10	2	Nut-Clinch
15	130-5317	1	Plate-Lock, Fuel Cap, RH	55	99-5000	2	Valve-Check, Fuel
15:2	130-2845	1	Decal-Ultra Low Sulfur Diesel	56	112-6388	2	Hose-Fuel
				57	354-95	2	Fitting-Straight
				58	68-6150	2	Breather

LH Fuel Tank Assembly No. 130-1026



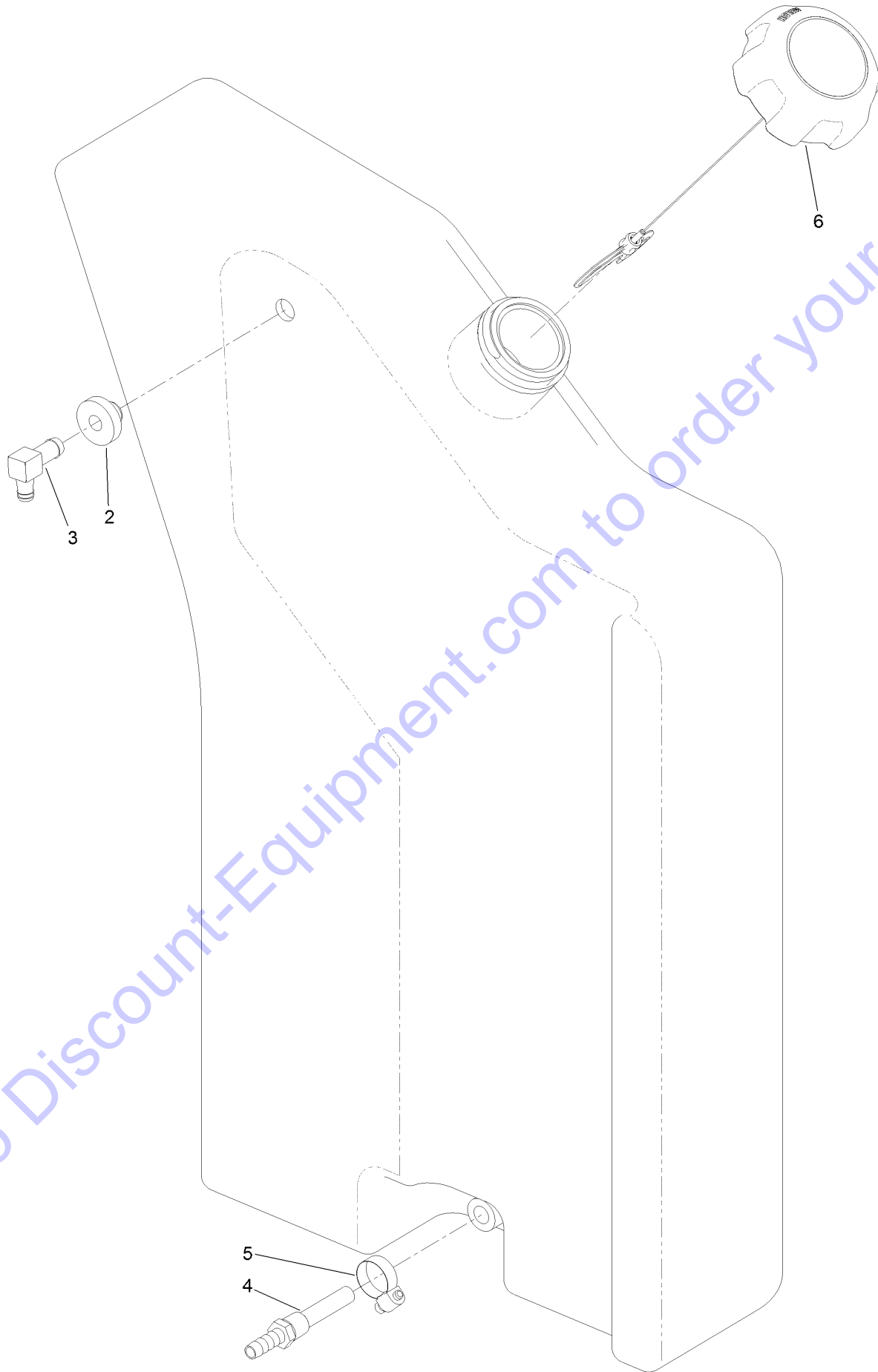
LH Fuel Tank Assembly No. 130-1026 (continued)

<i>Ref.</i>	<i>Part Number</i>	<i>Qty.</i>	<i>Description</i>
2	95-8972	1	Grommet
3	104-5603	1	Gauge-Level, Fuel
4	46-6560	2	Bushing
5	1-643259	1	Fitting-Elbow

<i>Ref.</i>	<i>Part Number</i>	<i>Qty.</i>	<i>Description</i>
6	112-6374	1	Fitting-Strainer
7	2412-36	1	Clamp-Hose
8	104-5228	1	Fitting-Elbow, 90 DEG
9	130-7567	1	Cap-Diesel,

Go to Discount-Equipment.com to order your parts

RH Fuel Tank Assembly No. 130-1027



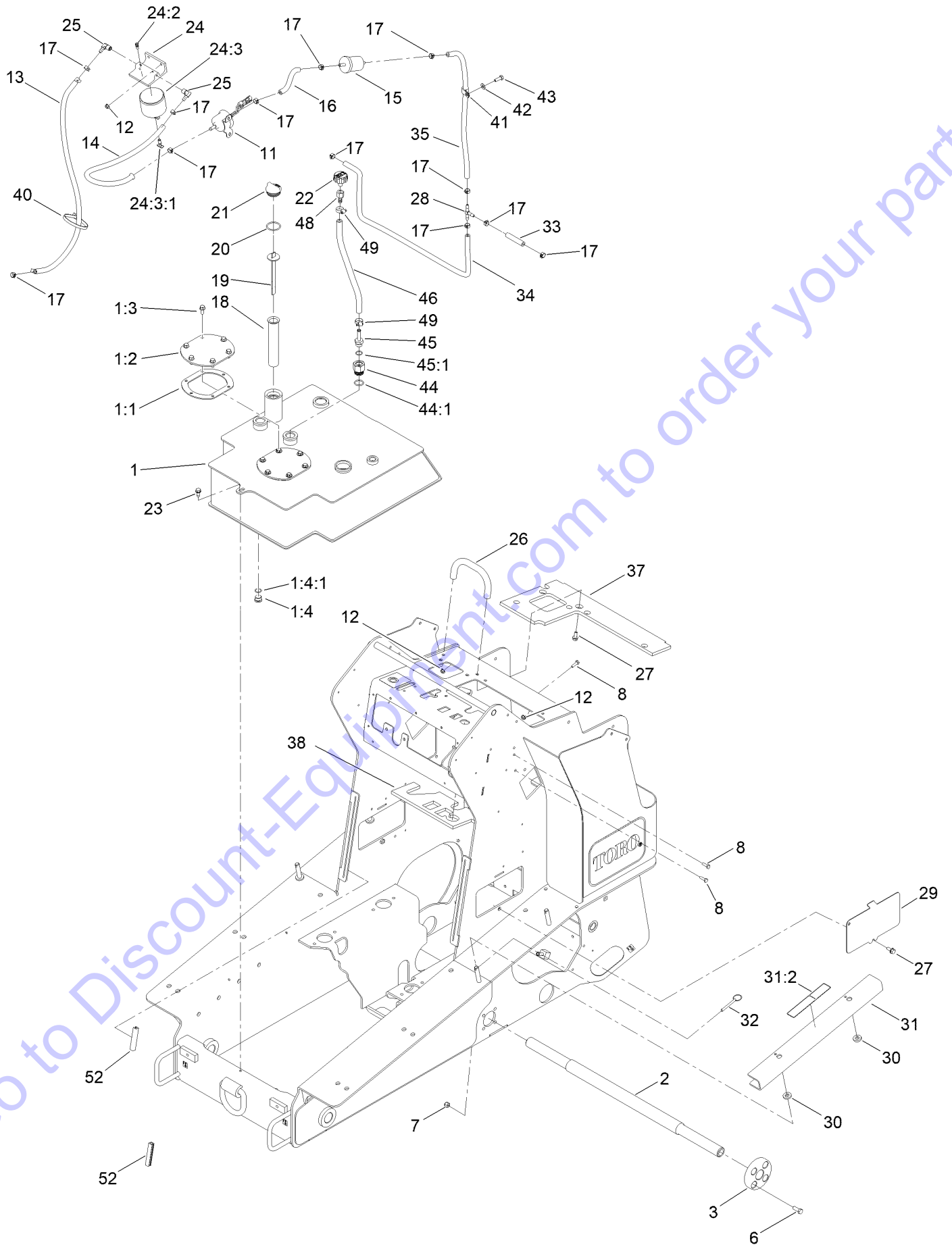
RH Fuel Tank Assembly No. 130-1027 (continued)

<i>Ref.</i>	<i>Part Number</i>	<i>Qty.</i>	<i>Description</i>
2	46-6560	1	Bushing
3	1-643259	1	Fitting-Elbow
4	112-6374	1	Fitting-Strainer

<i>Ref.</i>	<i>Part Number</i>	<i>Qty.</i>	<i>Description</i>
5	2412-36	1	Clamp-Hose
6	130-7567	1	Cap-Diesel,

Go to Discount-Equipment.com to order your parts

Hydraulic Tank and Track Shaft Assembly

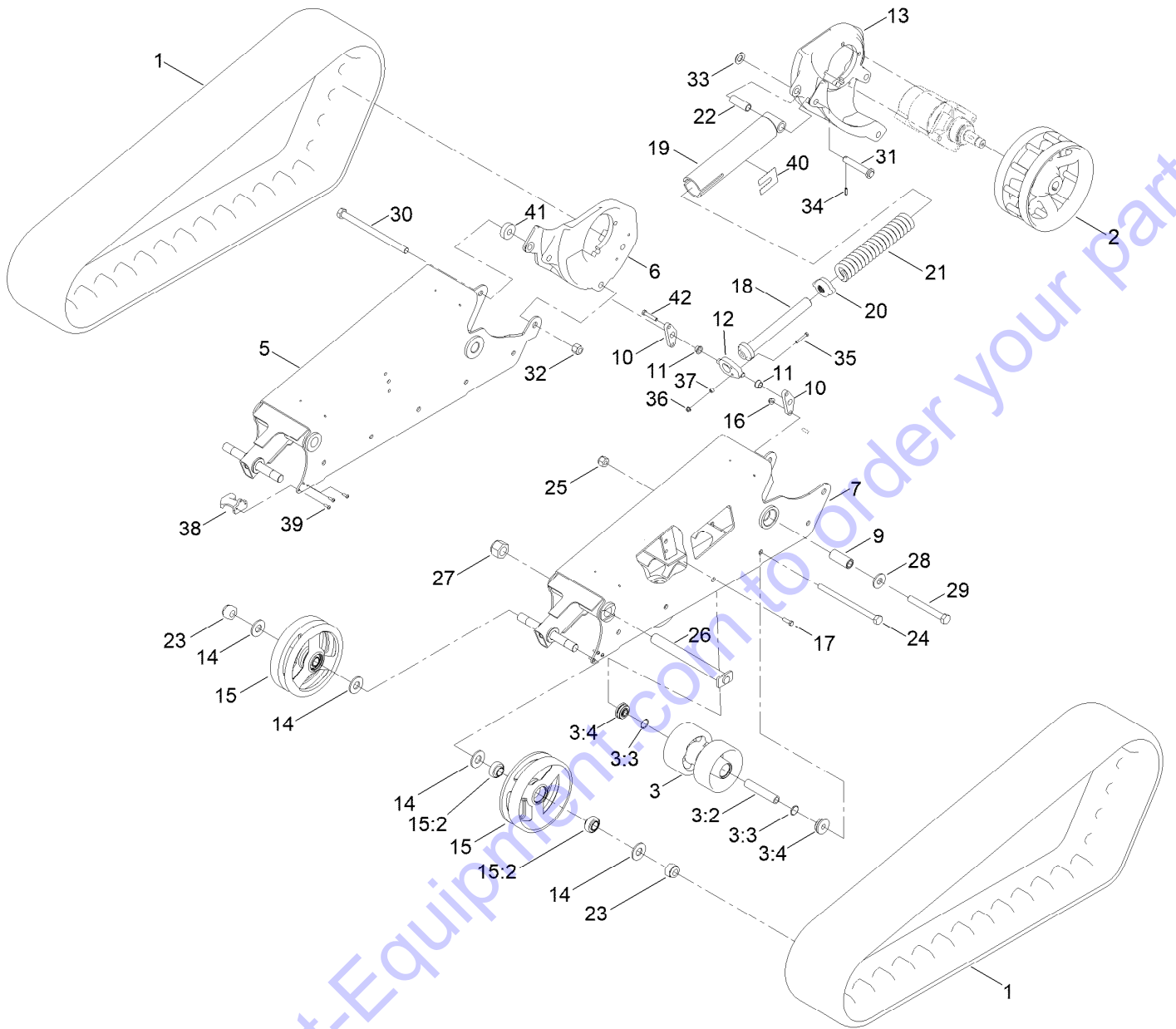


Hydraulic Tank and Track Shaft Assembly (continued)

<i>Ref.</i>	<i>Part Number</i>	<i>Qty.</i>	<i>Description</i>	<i>Ref.</i>	<i>Part Number</i>	<i>Qty.</i>	<i>Description</i>
1	125-0404	1	Tank-HYD	24:3:1	63-8310	1	Valve-Drain
1:1	107-3557	1	Gasket-Cover, Access	25	353-781	2	Fitting-HYD, 90
1:2	108-6297-01	1	Cover-Tank	26	112-2620	1	Bar-Reference
1:3	98-9940	6	Screw-HHF	27	3234-5	4	Screw-HHF
1:4	353-988	1	Plug-Hex	28	99-5005	1	Fitting-Tee, Barbed
1:4:1	237-79	1	O-Ring	29	130-1036-01	2	Plate-Cover, Access
2	125-0425	1	Shaft-Track	30	83-1470	4	Washer-Neoprene
3	132-9074	2	Hub-Shaft	31	130-5315	2	Arm-Locking
6	323-6	8	Screw-HH	31:2	115-4858	1	Decal-Danger
7	3296-39	8	Nut-Lock, NI	32	108-0094	4	Pin-Cotterless
8	321-5	4	Screw-HH	33	133-0223	1	Hose-Fuel
11	145-3154	1	Pump-Fuel, Electric	34	121-7914	1	Hose-Fuel
12	32128-33	4	Nut-HF	35	133-1636	1	Hose-Fuel
13	110-6186	1	Hose-Fuel	37	132-8416	1	Foam-Heat Shield
14	110-4112	1	Hose-Fuel	38	140-7698	1	Foam-Heat Shield
15	98-7612	1	Filter-Fuel	40	3334-945	1	Tie-Cable
16	136-5837	1	Hose-Fuel	41	92-6064	1	Clamp-R
17	92-2379	12	Clamp-Hose	42	3256-38	1	Washer-Flat
18	61-2790	1	Filter-Screen	43	322-4	1	Screw-HH
19	130-7686	1	Dipstick	44	96-0864	1	Fitting-Straight
20	237-101	1	O-Ring	44:1	237-81	1	O-Ring
21	93-7498	1	Plug-Plastic	45	115-2231	1	Fitting-STR
22	68-6150	1	Breather	45:1	237-79	1	O-Ring
23	32144-11	1	Screw-HWH	46	94-5625	1	Hose
24	109-2678	1	Filter ASM	48	354-94	1	Fitting-Female, Barbed
24:2	63-8290	1	Vent-Air	49	2412-36	2	Clamp-Hose
24:3	63-8300	1	Element-Spin On	52	70-2041	2	Trim - Edge

Go to Discount-Equipment.com to order your parts

Track, Drive Wheel and Tensioner Assembly



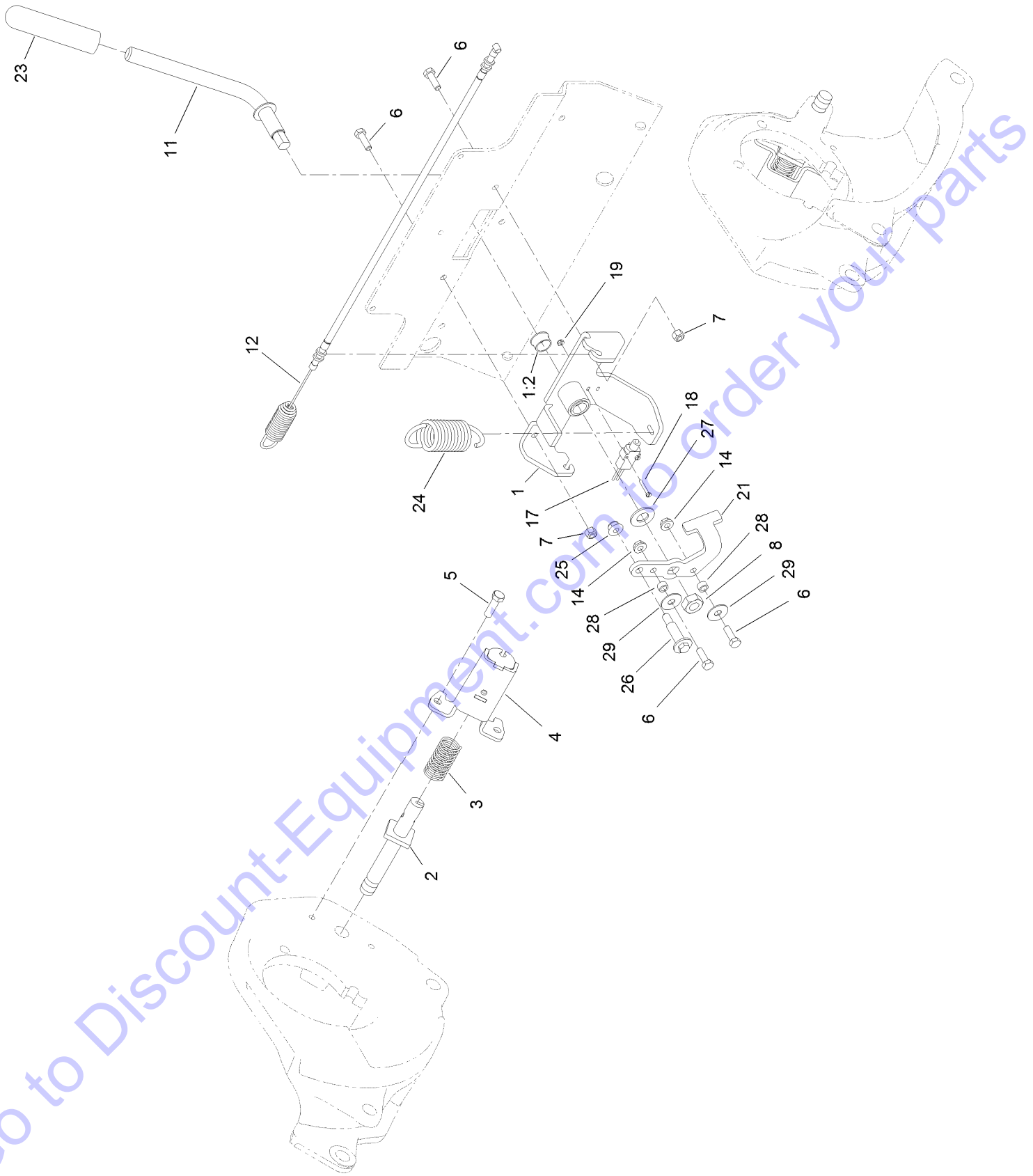
Go to Discount-Equipment.com to order your parts

Track, Drive Wheel and Tensioner Assembly (continued)

<i>Ref.</i>	<i>Part Number</i>	<i>Qty.</i>	<i>Description</i>	<i>Ref.</i>	<i>Part Number</i>	<i>Qty.</i>	<i>Description</i>
1	136-5845	2	Track	21	95-3624	2	Spring-Compression
2	144-7352	2	Wheel-Hub	22	127-9565	2	Spacer-Pivot
3	138-1417	10	Wheel ASM	23	104-2024	4	Nut-Hex, NI
3:2	138-1418	1	Spacer	24	133-8579	10	Screw-HH
3:3	138-0547	2	Bearing-Ball	25	3296-24	10	Nut-Hex
3:4	138-1422	2	Seal ASM	26	133-8577	2	Pin-Track
5	133-8592-01	1	RH Track Guide ASM	27	125-0399	2	Nut-HH
6	127-9596-03	1	Mount-Motor, RH	28	99-2659	2	Washer
7	132-8609-01	1	LH Track Guide ASM	29	AU426-1296	2	Screw-HH
9	130-1069	2	Spacer	30	133-8580	2	Screw-HH
10	127-9566	4	Plate-Mount,Pivot	31	130-1057	2	Pin-Tensioner
11	65-8770	4	Bushing-Bellcrank	32	3296-51	2	Nut-Lock, NI
12	132-8620	2	Plate-Pivot	33	3256-39	2	Washer-Flat
13	127-9595-03	1	Mount-Motor, LH	34	32121-24	2	Pin-Spring
14	115-0722	8	Washer-Plain	35	321-10	2	Screw-HH
15	133-8626	4	Tensioner-Wheel	36	32128-32	2	Nut-HHF
15:2	104-6129	2	Bearing-Ball	37	98-4799	2	Spacer
16	104-8301	8	Nut-HF, NI	38	133-8581	4	Track-Guide
17	323-7	4	Screw-HH	39	3274-69	12	Screw-HSBH
18	127-9563	2	Bolt-Tensioner	40	136-5750	2	Decal-Indicator, Tensioner
19	127-9559-03	2	Pivot-Tensioner	41	133-8574	2	Spacer-Wheel, Mount
20	108-4664	2	Block-Tensioner	42	323-10	4	Screw-HH

Go to Discount-Equipment.com to order your parts

Brake Assembly

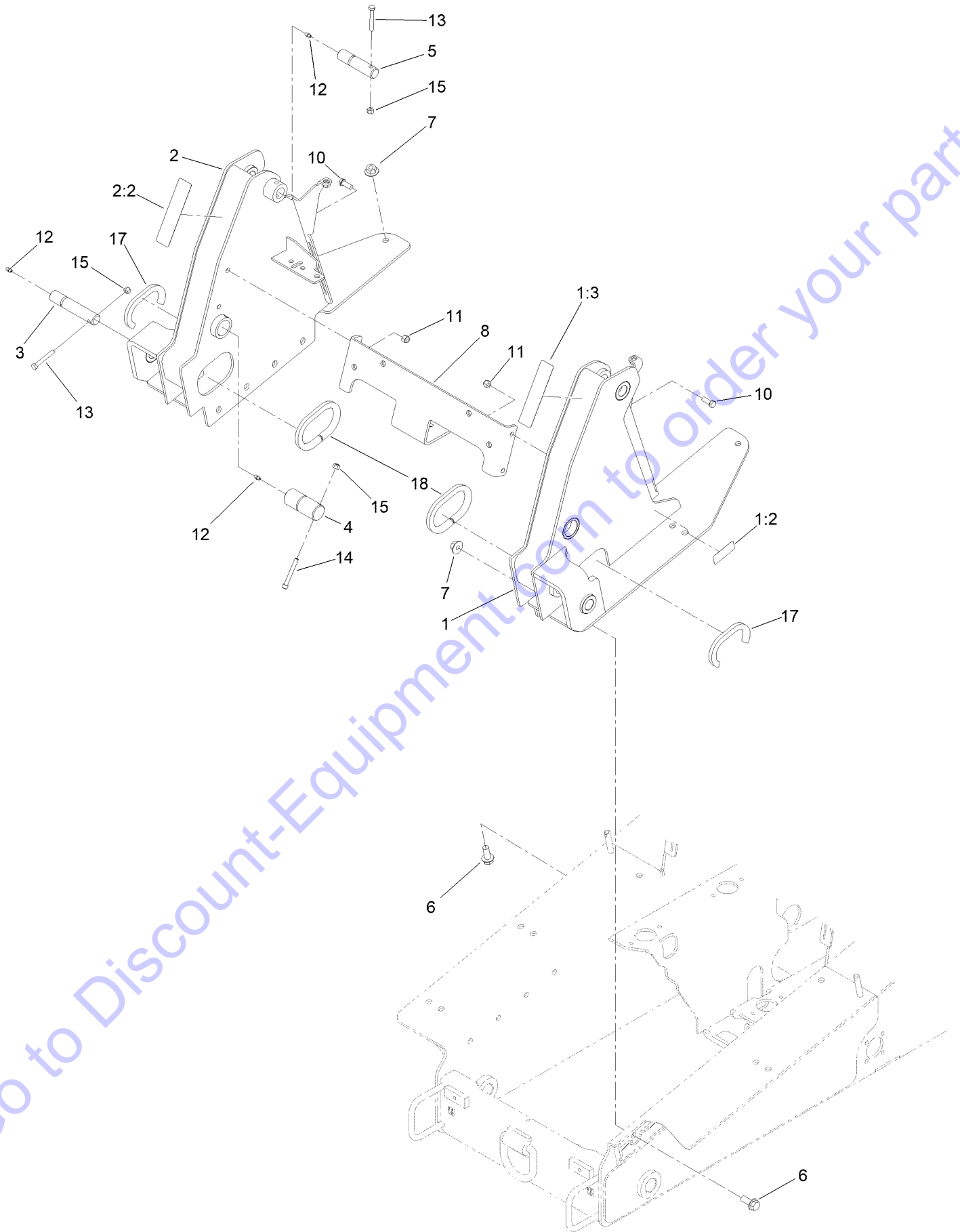


Brake Assembly (continued)

<i>Ref.</i>	<i>Part Number</i>	<i>Qty.</i>	<i>Description</i>	<i>Ref.</i>	<i>Part Number</i>	<i>Qty.</i>	<i>Description</i>
1	136-4798	1	Bracket-Brake	17	95-8900	1	Switch
1:2	256-252	2	Bearing-Flange	18	32105-9	2	Screw-HH
2	130-5256	2	Shaft ASM	19	3296-9	2	Nut-Hex
3	125-0344	2	Spring-Compression	21	138-0205-0P	1	Plate-Brake Linkage
4	137-4648-03	2	Mount-Brake	23	110-1037	1	Grip-Handle
5	323-7	4	Screw-HH	24	136-4787	1	Spring-EXT
6	322-5	4	Screw-HH	25	104-8301	1	Nut-HF, NI
7	3296-29	2	Nut-Lock, NI	26	136-7198	1	Bolt-Shoulder
8	3296-33	1	Nut-Lock, NI	27	3256-27	1	Washer-Flat
11	133-0232	1	Lever-Brake	28	85-9120	2	Spacer-Pivot, Tilt
12	136-4789	2	Cable-Brake	29	52-2860	2	Washer
14	32128-20	2	Nut-HF				

Go to Discount-Equipment.com to order your parts

Front Tower Assembly

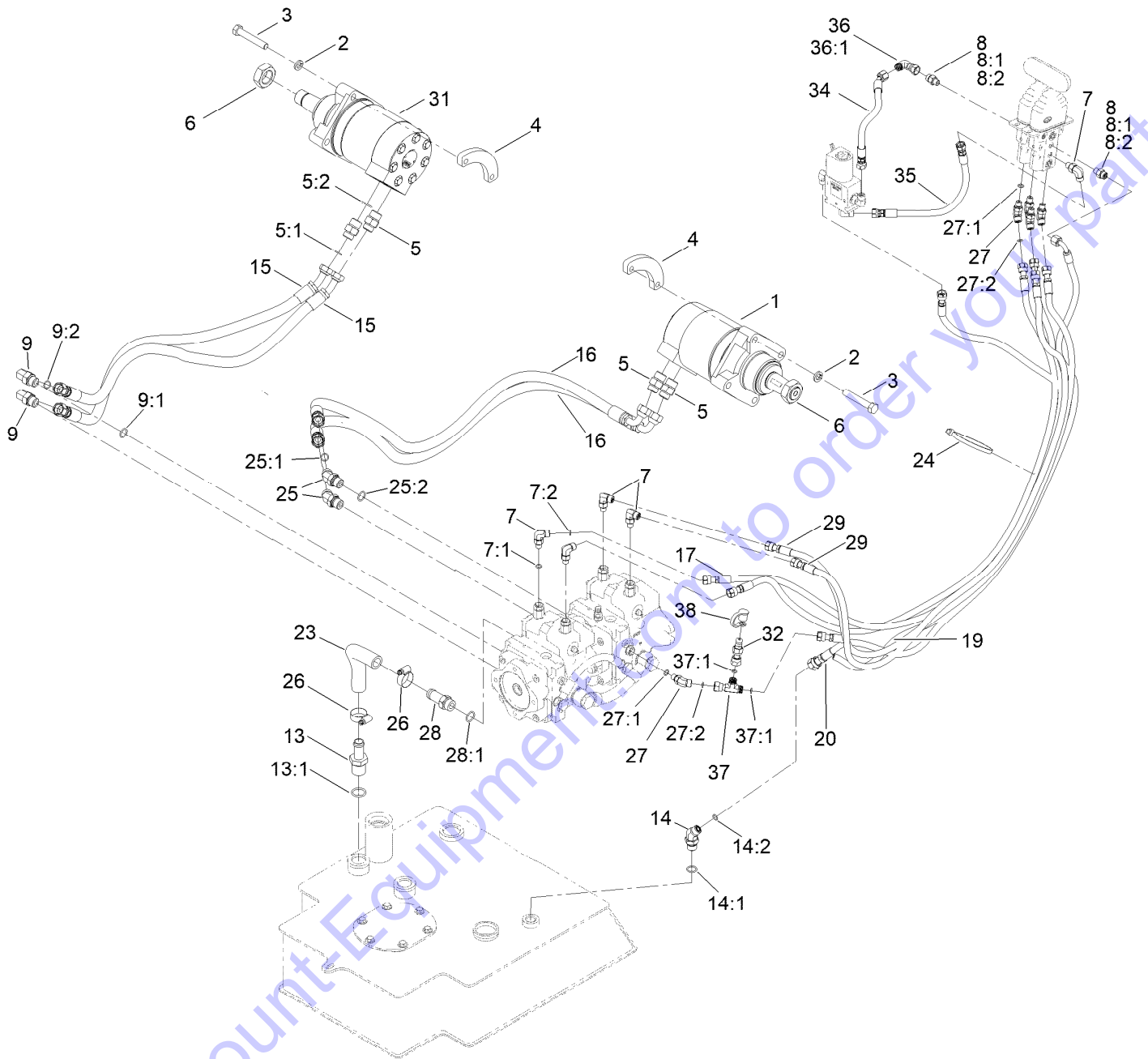


Front Tower Assembly (continued)

<i>Ref.</i>	<i>Part Number</i>	<i>Qty.</i>	<i>Description</i>	<i>Ref.</i>	<i>Part Number</i>	<i>Qty.</i>	<i>Description</i>
1	130-5323	1	Tower-Front, LH	8	125-3667-03	1	Plate-Cross, Tower
1:2	115-2047	1	Decal-Surface, Hot	10	AU426-616	4	Screw-HH
1:3	131-9290	1	Tape-Reflective	11	3296-39	4	Nut-Lock, NI
2	145-4447	1	Tower-Loader, RH ASM	12	302-5	6	Fitting-Grease
2:2	131-9290	1	Tape-Reflective	13	322-11	4	Screw-HH
3	131-9201	2	Pin-HYD	14	3274-40	2	Screw-HSH
4	125-3748	2	Pin-Arm	15	3296-29	6	Nut-Lock, NI
5	125-3695	2	Pin-Link	17	133-8571	4	Trim-Seal
6	3234-38	18	Screw-HHF	18	133-8572	2	Trim-Seal
7	32128-52	18	Nut-Lock, Flange				

Go to Discount-Equipment.com to order your parts

Hydraulic Motor and Hose Assembly



Hydraulic Motor and Hose Assembly (continued)

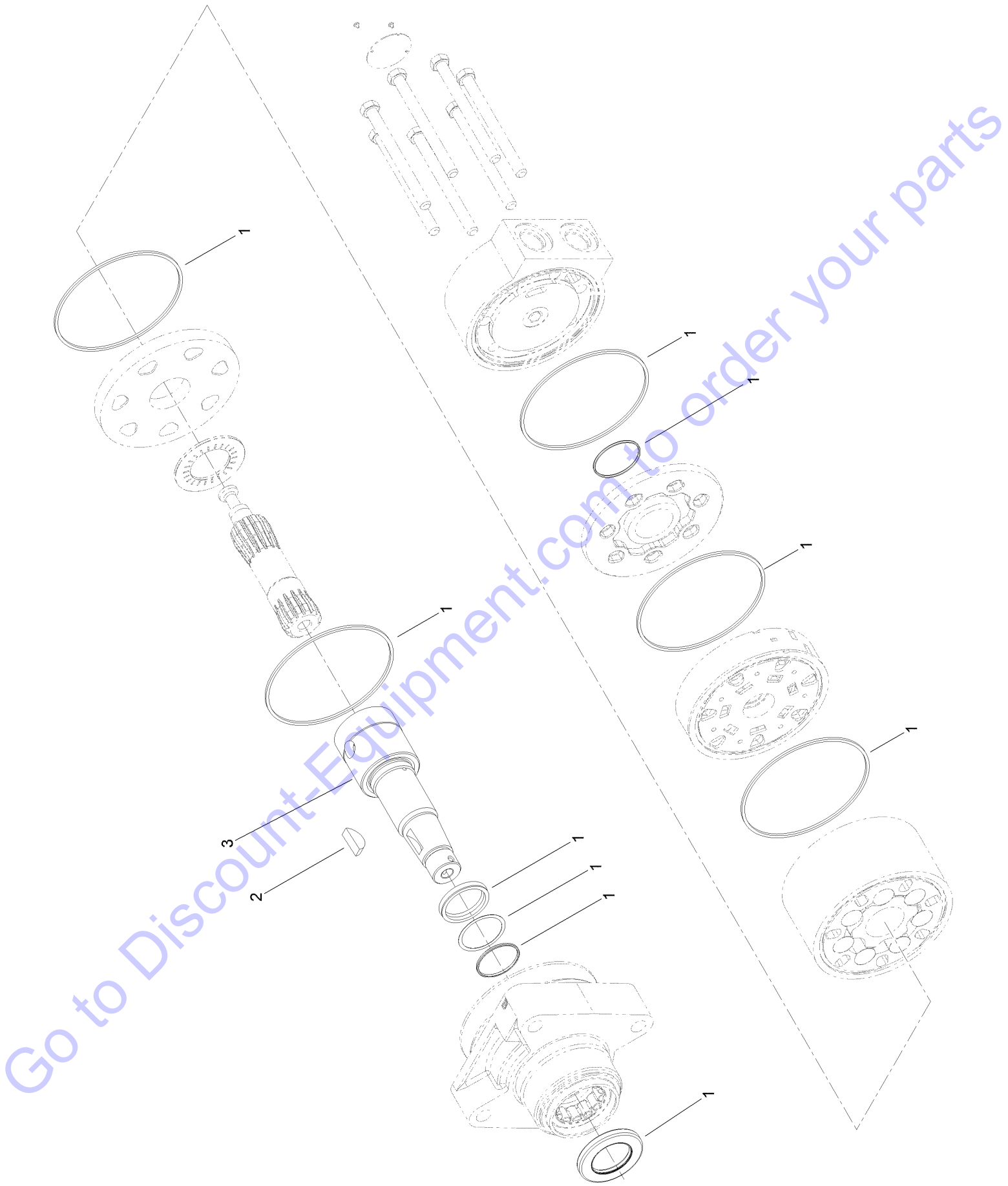
<i>Ref.</i>	<i>Part Number</i>	<i>Qty.</i>	<i>Description</i>	<i>Ref.</i>	<i>Part Number</i>	<i>Qty.</i>	<i>Description</i>
1	138-0761	1	Motor-HYD	17	139-0789	2	HYD Hose ASM
2	3253-7	8	Washer-Lock	19	139-0790	1	HYD Hose ASM
3	115-4845	8	Screw-HH, TAP	20	139-0791	1	HYD Hose ASM
4	137-4614	4	Plate-Mounting, Wheelmotor	23	133-0231	1	Hose-Return
5	340-6	4	Fitting-Straight	24	3334-945	1	Tie-Cable
5:1	237-30	1	O-Ring	25	340-101	2	Fitting-HYD, 45 DEG
5:2	237-80	1	O-Ring	25:1	237-30	1	O-Ring
6	107-9319	2	Nut-Hex	25:2	237-79	1	O-Ring
7	340-132	5	Fitting-Elbow, 90 DEG	26	2412-129	2	Clamp-Hose
7:1	237-78	1	O-Ring	27	340-103	5	Fitting-HYD, 45 DEG
7:2	237-21	1	O-Ring	27:1	237-78	1	O-Ring
8	340-92	2	Fitting-Straight	27:2	237-21	1	O-Ring
8:1	237-78	1	O-Ring	28	354-136	1	Fitting-STR
8:2	237-21	1	O-Ring	28:1	237-80	1	O-Ring
9	340-98	2	Fitting-Elbow, 90 DEG	29	139-0792	2	HYD Hose ASM
9:1	237-79	1	O-Ring	31	138-0778	1	Motor-HYD
9:2	237-30	1	O-Ring	32	115-8886	1	Nipple-Test
13	354-73	1	Fitting	34	140-5878	1	Hose ASM
13:1	237-81	1	O-Ring	35	140-5877	1	Hose ASM
14	340-138	1	Fitting-HYD, 45 DEG	36	92-2745	1	Elbow-90
14:1	237-79	1	O-Ring	36:1	237-21	1	O-Ring
14:2	237-22	1	O-Ring	37	340-151	1	Fitting-Tee
15	133-0226	2	Hose-HYD	37:1	237-21	2	O-Ring
16	130-7734	2	Hose-HYD	38	354-79	1	Cap-Dust

Hydraulic Motor Assembly No. 138-0761 (continued)

<i>Ref.</i>	<i>Part Number</i>	<i>Qty.</i>	<i>Description</i>
1	137-1824	1	Seal Kit
2	3257-42	1	Key-Woodruff
3	140-7697	1	Shaft - Coupling Tgk

Go to Discount-Equipment.com to order your parts

Hydraulic Motor Assembly No. 138-0778

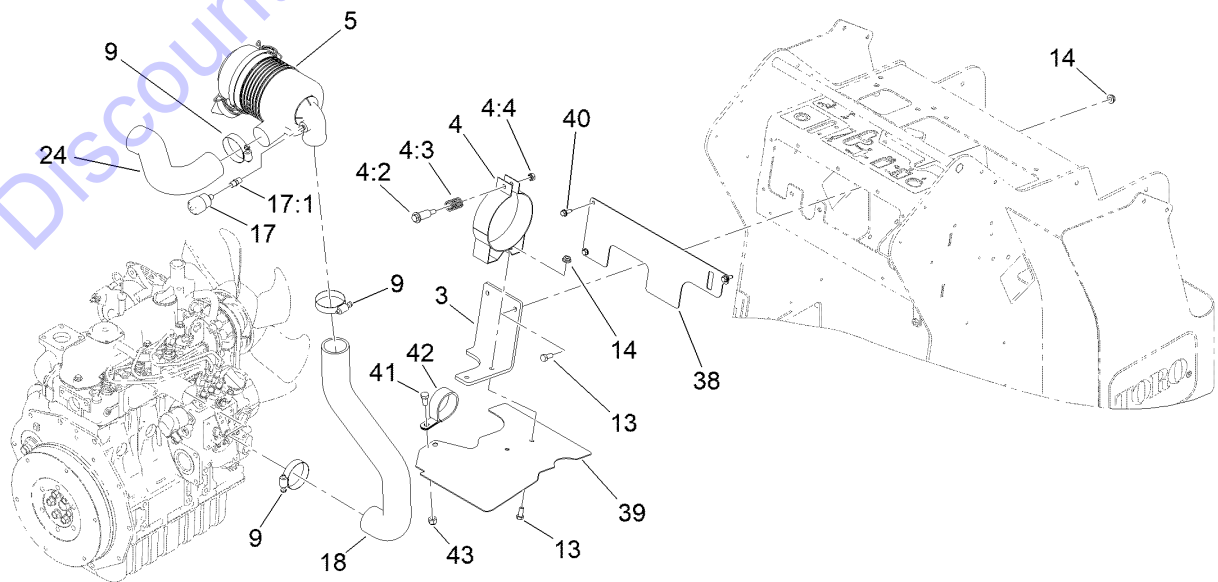
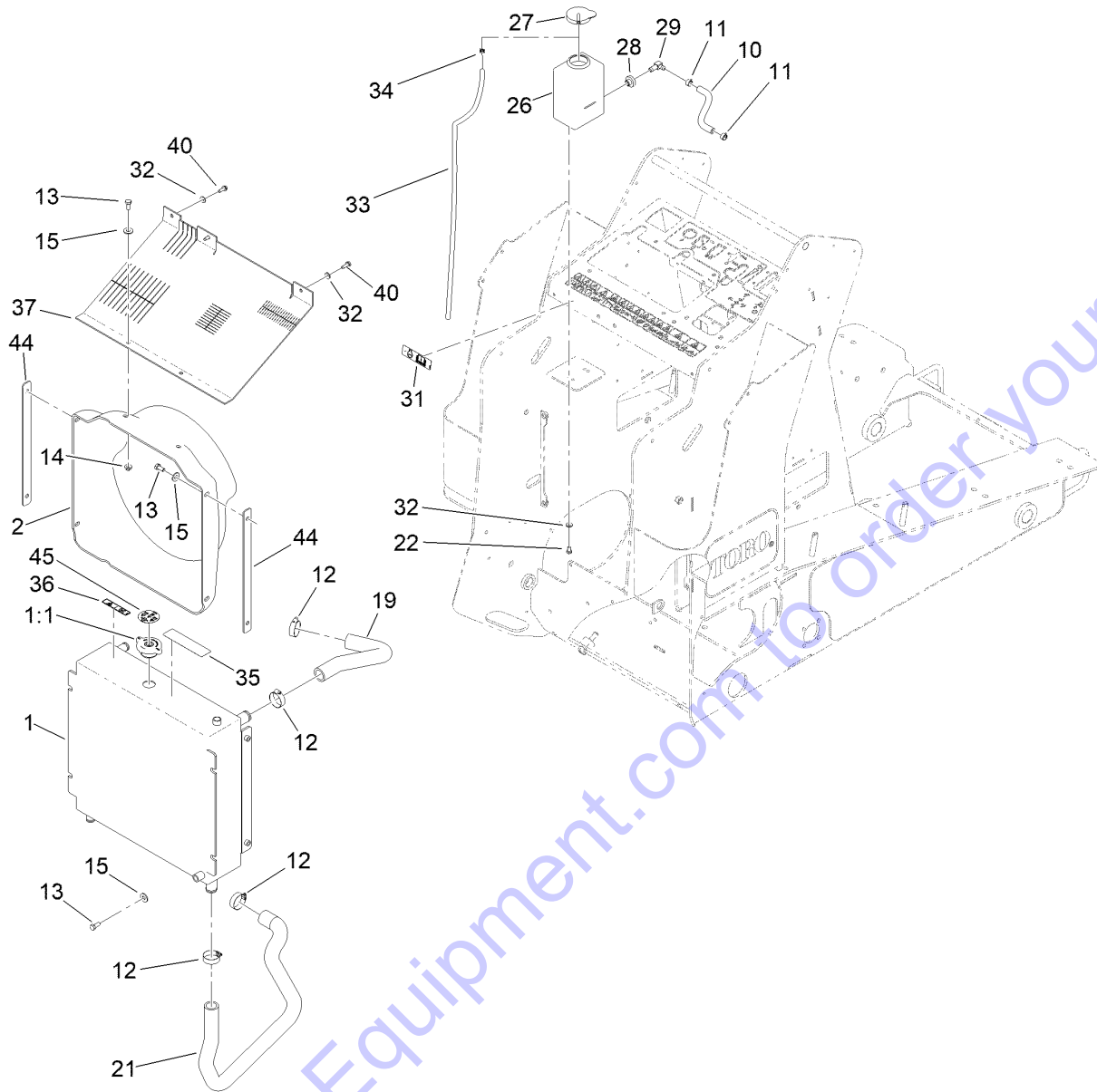


Hydraulic Motor Assembly No. 138-0778 (continued)

<i>Ref.</i>	<i>Part Number</i>	<i>Qty.</i>	<i>Description</i>
1	137-1824	1	Seal Kit
2	3257-42	1	Key-Woodruff
3	140-7697	1	Shaft - Coupling Tgk

Go to Discount-Equipment.com to order your parts

Radiator and Air Cleaner Assembly

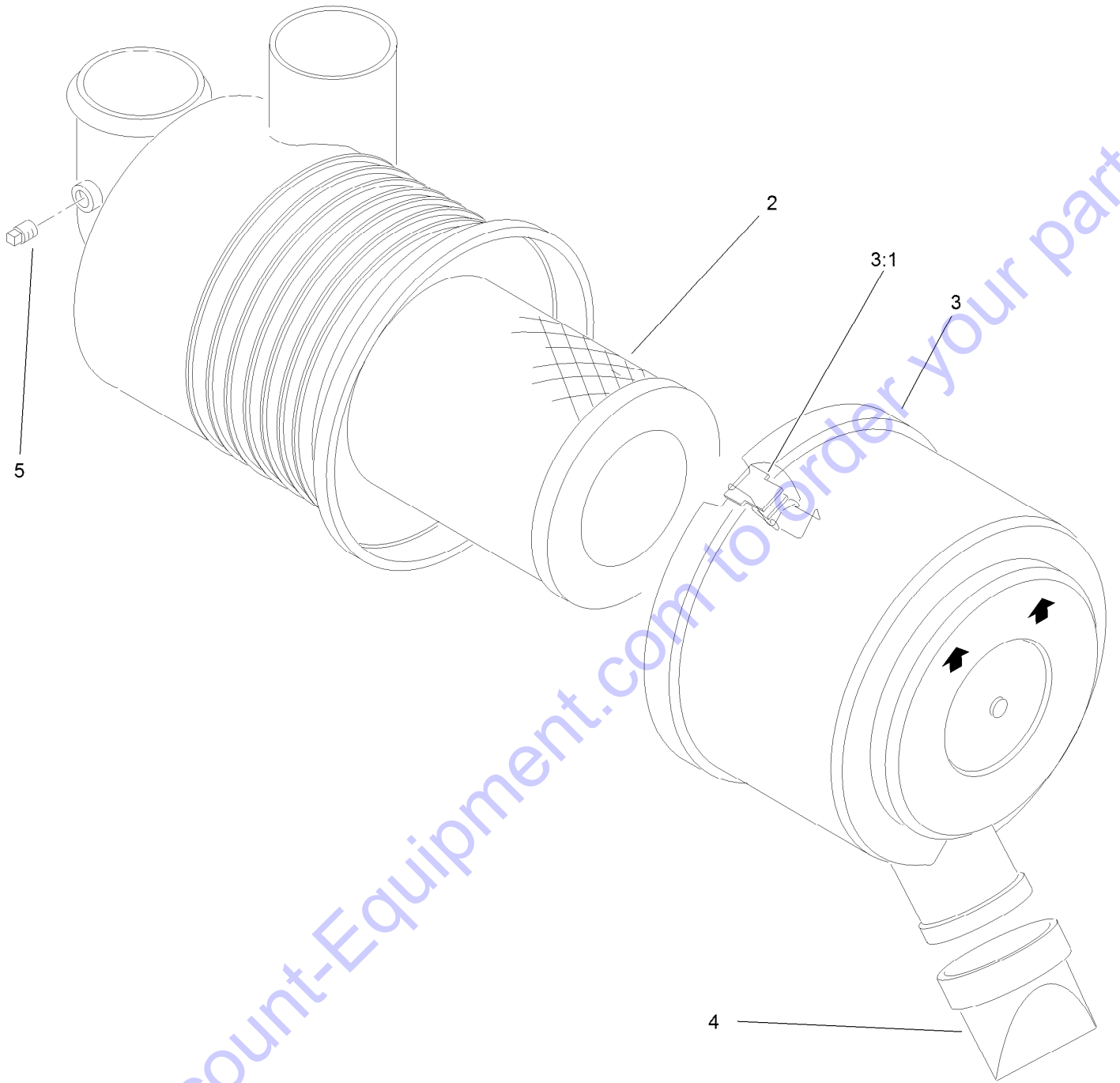


Radiator and Air Cleaner Assembly (continued)

<i>Ref.</i>	<i>Part Number</i>	<i>Qty.</i>	<i>Description</i>	<i>Ref.</i>	<i>Part Number</i>	<i>Qty.</i>	<i>Description</i>
1	144-7364	1	Cooling ASM, Kirkland	22	321-2	2	Screw-HH
1:1	144-7368	1	Cap, Radiator	24	130-0952	1	Hose-Air, Inlet
2	131-9256	1	Shroud-Fan	26	1-643163	1	Tank-Overflow
3	125-0377-03	1	Bracket	27	1-643164	1	Cap-Tank, Overflow
4	93-2191	1	Air Cleaner Mounting Band ASM	28	46-6560	1	Bushing
4:2	94-3653	1	Bolt	29	46-6550	1	Fitting-Elbow, 90 DEG
4:3	94-3654	1	Spring	31	115-4865	1	Decal-Fill, Radiator
4:4	33024-00	1	Nut-Lock, NI	32	3256-22	5	Washer-Flat
5	93-2190	1	Air Cleaner ASM	33	108-6344	1	Hose-LP
9	2412-92	3	Clamp-Hose	34	2412-80	1	Clamp-Hose
10	112-2386	1	Hose-Fuel	35	93-7814	1	Decal-Danger
11	92-2379	2	Clamp-Hose	36	93-6681	1	Decal-Warning, Fan
12	2412-34	4	Clamp-Hose	37	131-9214	1	Guard-Air
13	322-3	14	Screw-HH	38	131-9215	1	Cover-Air
14	32128-20	6	Nut-HF	39	131-8013	1	Baffle-Heat
15	3256-3	10	Washer-Flat	40	32144-44	6	Screw-HWH, Thread Roll
17	104-3563	1	Indicator	41	323-4	1	Screw-HH
17:1	94-1416	1	Adapter-Indicator ●	42	2412-107	1	Clamp-R
18	131-9173	1	Hose-Intake, Engine	43	3296-39	1	Nut-Lock, NI
19	136-4552	1	Hose-Radiator	44	138-0751	2	Plate-Shim
21	131-9153	1	Hose-Radiator, Lower	45	117-3276	1	Decal-Danger

● Not illustrated

Air Cleaner Assembly No. 93-2190



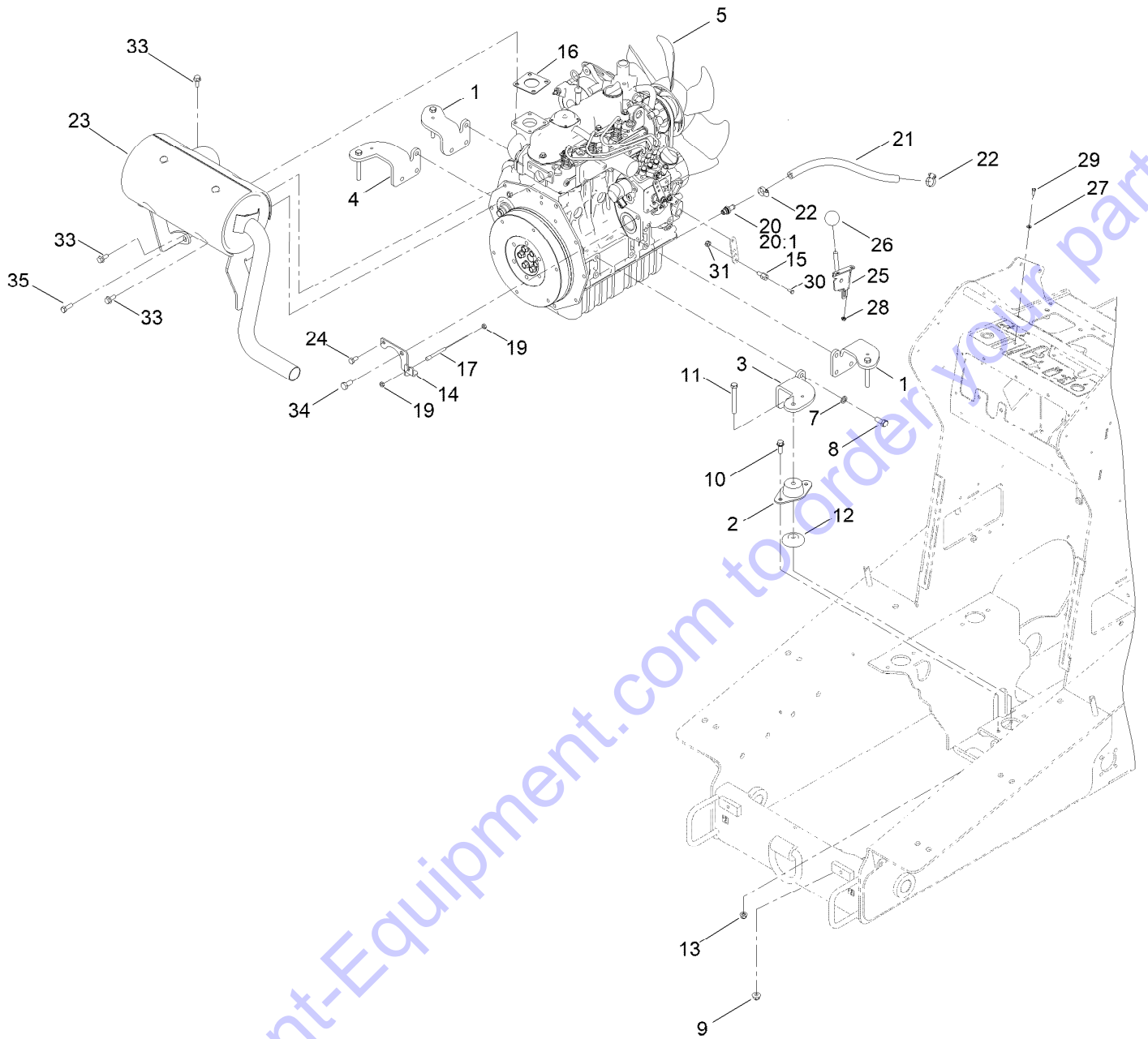
Air Cleaner Assembly No. 93-2190 (continued)

<i>Ref.</i>	<i>Part Number</i>	<i>Qty.</i>	<i>Description</i>
2	108-3811	1	Filter-Air
3	94-3652	1	Cover ASM
3:1	1-643283	2	Latch-Cleaner, Air

<i>Ref.</i>	<i>Part Number</i>	<i>Qty.</i>	<i>Description</i>
4	87-9400	1	Valve-Vacuator
5	285-17	1	Plug-Pipe

Go to Discount-Equipment.com to order your parts

Engine and Muffler Assembly

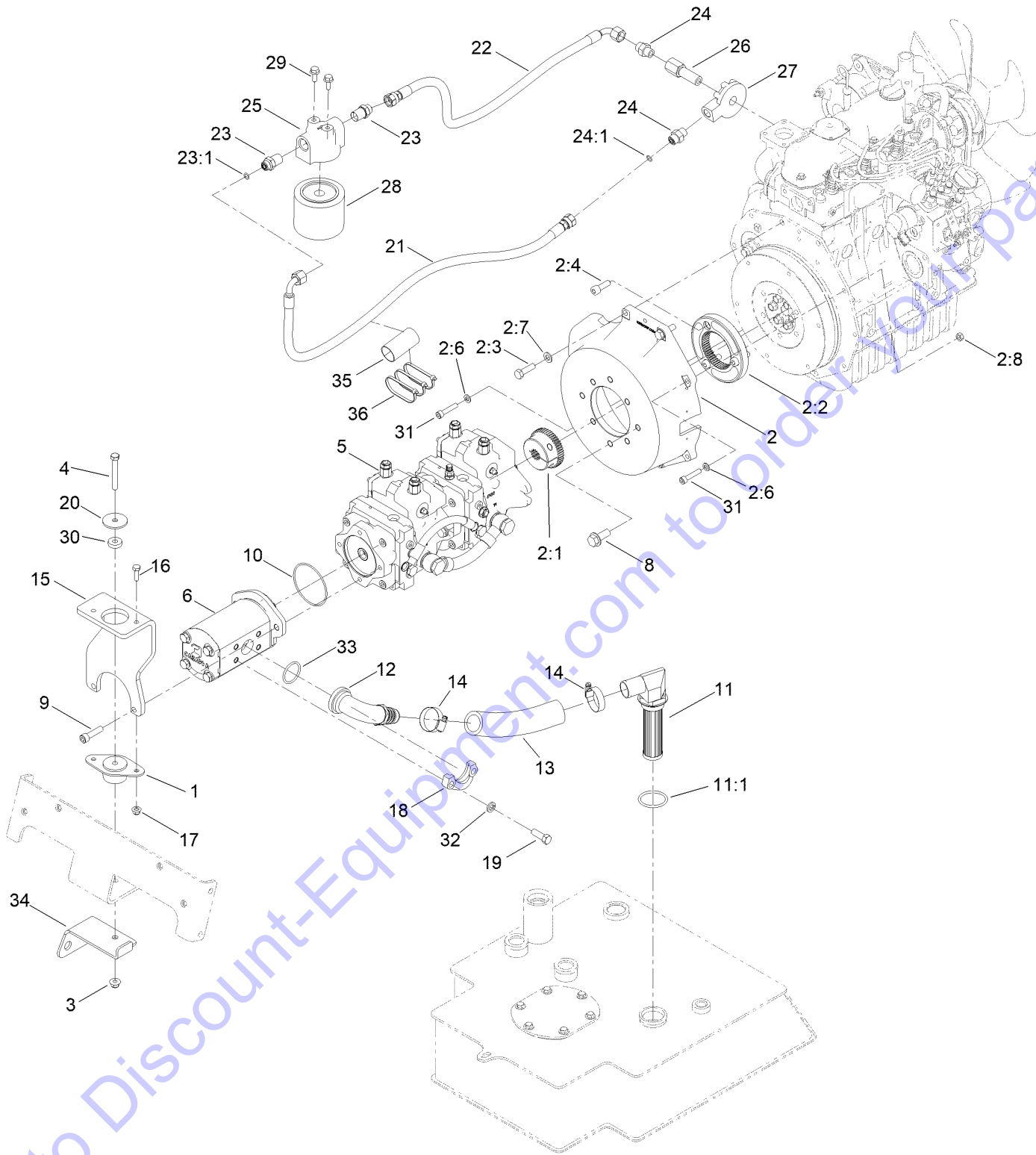


Engine and Muffler Assembly (continued)

<i>Ref.</i>	<i>Part Number</i>	<i>Qty.</i>	<i>Description</i>	<i>Ref.</i>	<i>Part Number</i>	<i>Qty.</i>	<i>Description</i>
1	115-8066-0P	2	Mount-Engine	20	139-7317	1	Fitting-Barb
2	121-9076	4	Mount-Engine	20:1	140-1983	1	Seal-Oring
3	115-8068-0P	1	Mount-Engine, LH	21	138-0830	1	Hose-Oil Drain
4	115-8063-0P	1	Mount-Engine RH	22	2412-36	2	Clamp-Hose
5	138-6911	1	Engine-Kubota, D1305	23	138-0753	1	Muffler
7	48-9590	12	Washer-Lock	24	33114-016	1	Screw-HH
8	43-0090	12	Screw-HH	25	108-9730	1	Lever-Control
9	104-8301	4	Nut-HF, NI	26	233-42	1	Knob
10	3234-29	8	Screw-HHF	27	3256-51	2	Washer-Flat
11	323-14	4	Screw-HH	28	32149-7	2	Nut-Keps
12	138-6462	4	Support-Isolator	29	3290-134	2	Screw
13	104-8300	8	Nut-HF, NI	30	25-8640	1	Screw-HH
14	130-1148-03	1	Bracket-Throttle	31	3296-20	1	Nut-Lock, NI
15	98-9311	1	Swivel-Throttle	33	33104-020	6	Screw-HHF
16	99-8343	1	Gasket-Muffler	34	63-7790	1	Screw-Cap
17	130-7743	1	Cable-Throttle	35	99-5131	1	Bolt
19	3220-1	2	Nut-Jam				

Go to Discount-Equipment.com to order your parts

Tandem Pump and Gear Pump Assembly

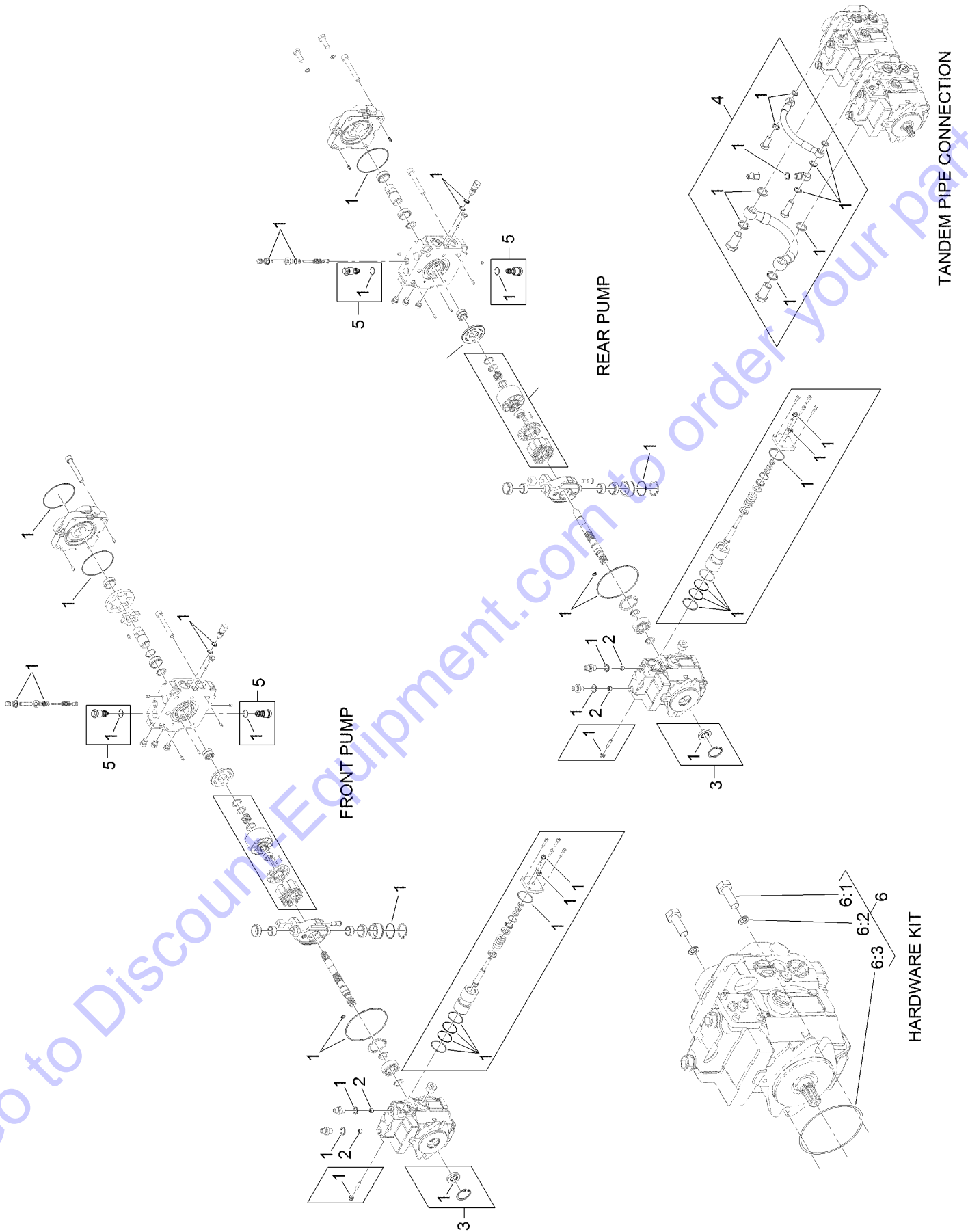


Tandem Pump and Gear Pump Assembly (continued)

<i>Ref.</i>	<i>Part Number</i>	<i>Qty.</i>	<i>Description</i>	<i>Ref.</i>	<i>Part Number</i>	<i>Qty.</i>	<i>Description</i>
1	121-9076	1	Mount-Engine	17	104-8300	2	Nut-HF, NI
2	138-0822	1	Mount-Pump	18	136-5794	2	Flange
2:1	130-7725	1	Hub-Pump	19	324-5	4	Screw-HH
2:2	125-1179	1	Flange-Coupler	20	63-7400	1	Washer-Rebound
2:3	56-2140	2	Screw-HH	21	139-0793	1	HYD Hose ASM
2:4	108-1420	3	Screw-HSH	22	139-0794	1	HYD Hose ASM
2:6	115-7370	4	Washer-Plain	23	136-5838	2	Fitting-HYD
2:7	33095-00	2	Washer-Flat	23:1	237-22	1	O-Ring
2:8	33014-00	1	Nut-Hex	24	130-7716	2	Fitting-HYD
3	104-8301	1	Nut-HF, NI	24:1	237-22	1	O-Ring
4	323-13	1	Screw-HH	25	130-7588	1	Base-Filter
5	138-0767	1	Pump-Tandem	26	130-7587	1	Pipe-Joint
6	130-7731	1	Pump-Gear	27	130-7586	1	Base-Filter
8	3234-38	2	Screw-HHF	28	104-5169	1	Filter-Oil
9	09718	2	Screw-Sh	29	33104-020	2	Screw-HHF
10	353-949	1	O-Ring	30	62-6660	1	Spacer
11	145-0622	1	Strainer Fitting ASM	31	131-0197	1	Screw-HSH
11:1	237-101	1	O-Ring	32	3253-6	4	Washer-Lock
12	112-7374	1	Fitting	33	115-5420	1	O-Ring
13	130-7561	1	Hose-Suction	34	138-0790-0P	1	Bracket-Bulkhead
14	2412-111	2	Clamp-Hose, W/Liner	35	AU112950	1	Protector-Hose
15	138-0231-03	1	Bracket-Support, Pump	36	3290-378	3	Tie-Cable
16	322-5	2	Screw-HH				

Go to Discount-Equipment.com to order your parts

Tandem Pump Assembly No. 138-0767



Tandem Pump Assembly No. 138-0767 (continued)

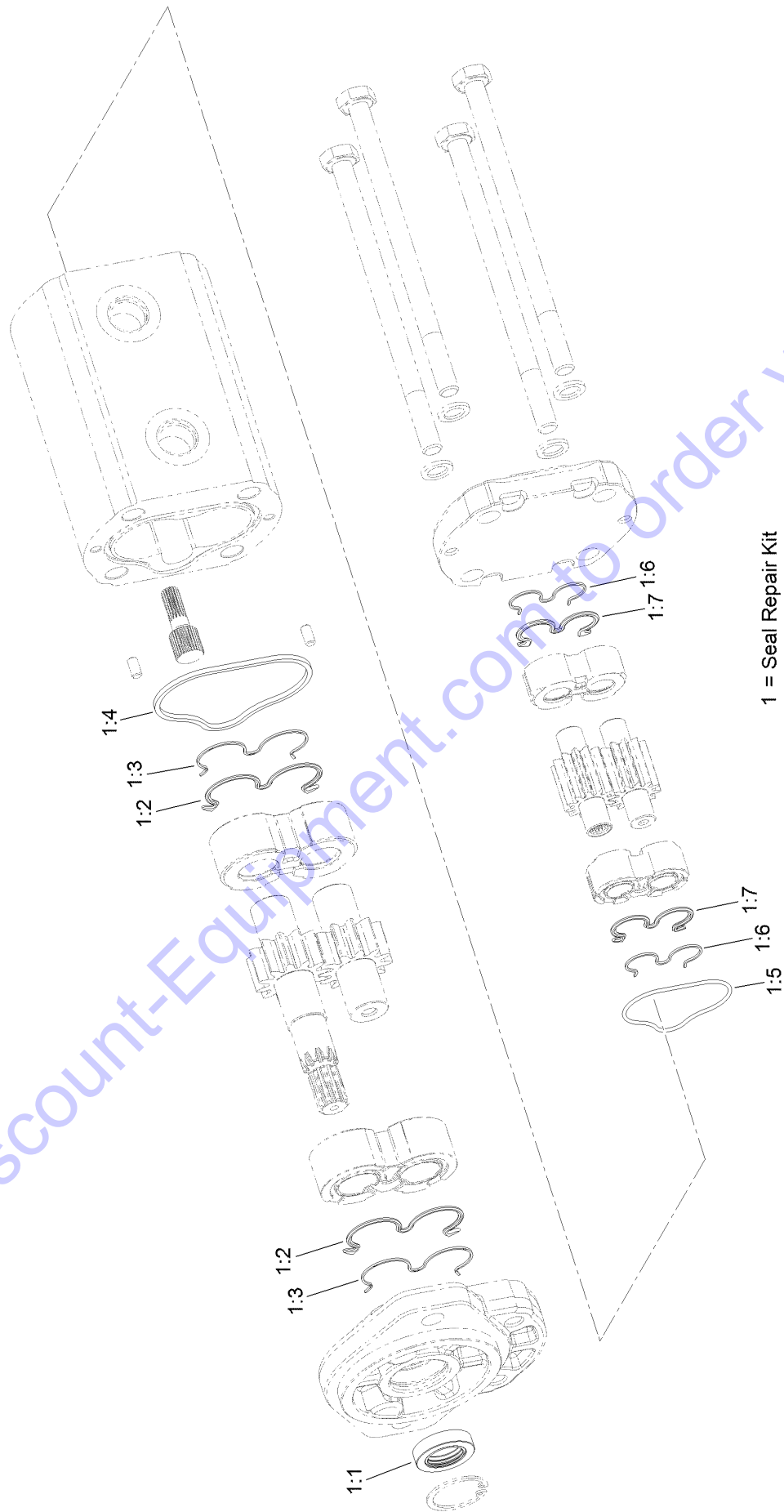
<i>Ref.</i>	<i>Part Number</i>	<i>Qty.</i>	<i>Description</i>
1	132-6041	2	Seal Kit
2	132-6042	4	Spacer-Jet
3	132-6045	1	Shaft Seal Kit
4	132-6047	1	Tandem Connection Pipe Kit
5	138-0781	4	Valve-Relief

<i>Ref.</i>	<i>Part Number</i>	<i>Qty.</i>	<i>Description</i>
6	140-5300	1	Hardware Kit
6:1		2	Bolt-Hex ●
6:2		2	Washer ●
6:3		1	O-Ring ●

Go to Discount-Equipment.com to order your parts

● Not serviced separately

Gear Pump Assembly No. 130-7731



1 = Seal Repair Kit

Go to Discount-Equipment.com to order your parts

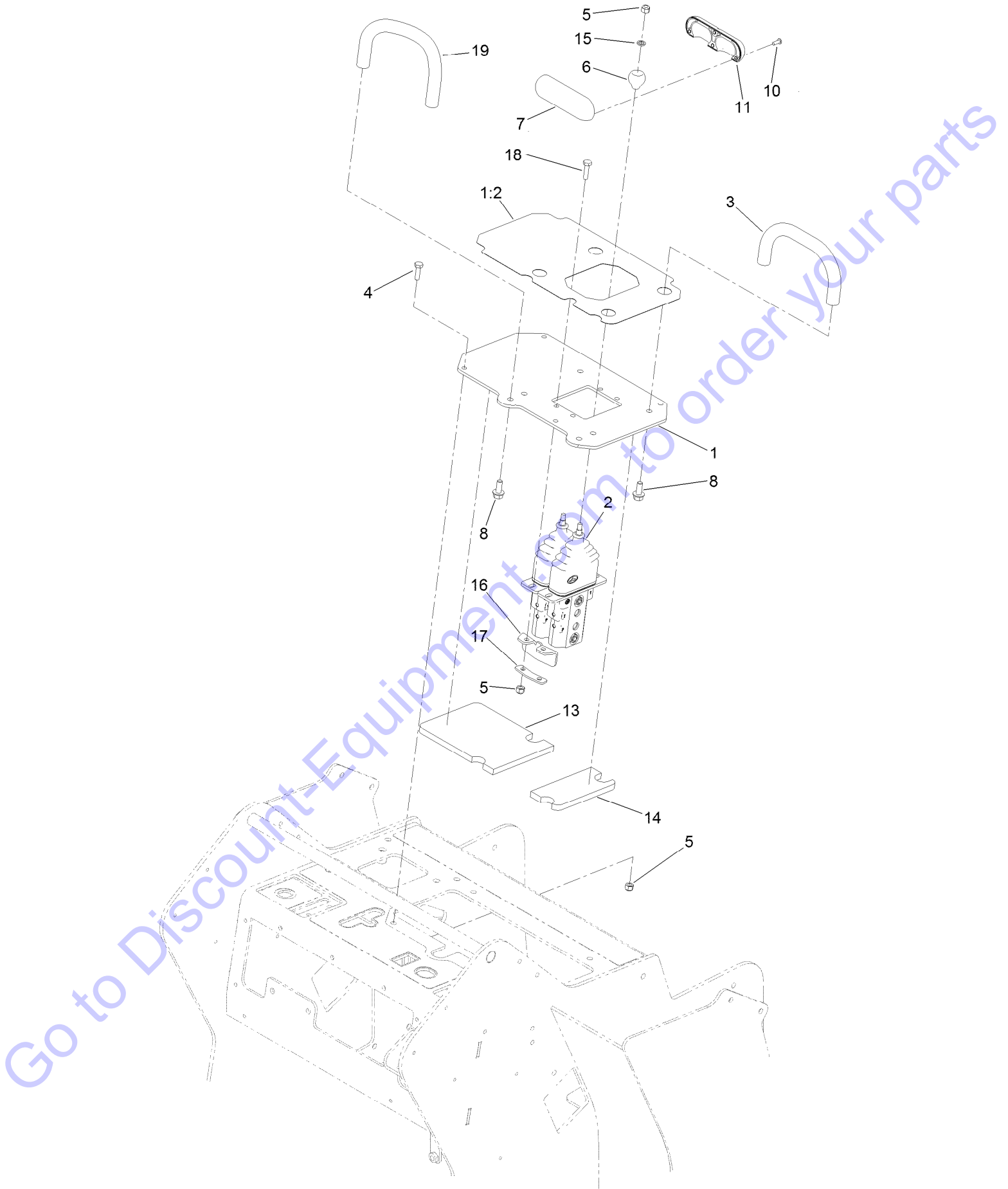
Gear Pump Assembly No. 130-7731 (continued)

<i>Ref.</i>	<i>Part Number</i>	<i>Qty.</i>	<i>Description</i>	<i>Ref.</i>	<i>Part Number</i>	<i>Qty.</i>	<i>Description</i>
1	132-6028	1	Seal Kit	1:4		1	Seal-Square ●
1:1		1	Seal-Shaft ●	1:5		1	O-Ring ●
1:2		2	Seal-Gear ●	1:6		2	Ring-Backup ●
1:3		2	Ring-Backup ●	1:7		2	Seal-Gear, Rear ●

Go to Discount-Equipment.com to order your parts

● Not serviced separately

Control Valve and Reference Bar Assembly

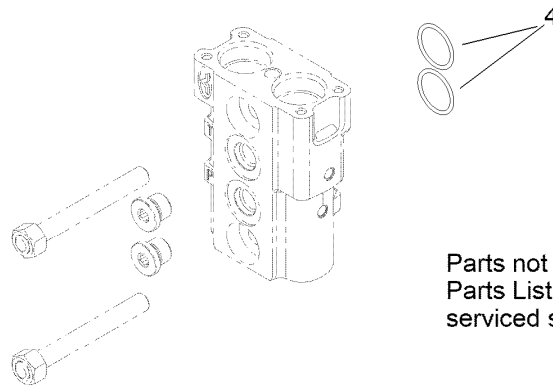
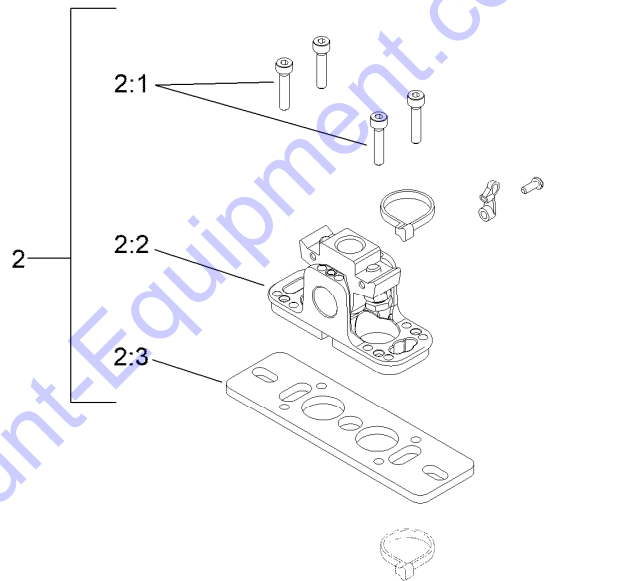
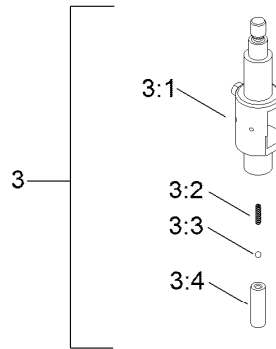
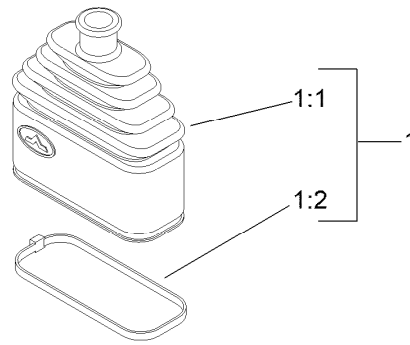


Control Valve and Reference Bar Assembly (continued)

<i>Ref.</i>	<i>Part Number</i>	<i>Qty.</i>	<i>Description</i>	<i>Ref.</i>	<i>Part Number</i>	<i>Qty.</i>	<i>Description</i>
1	130-5321	1	Plate-Control	10	94-6961	4	Screw
1:2	131-0708	1	Decal-Control Panel	11	131-9162	1	Handle-Traction
2	145-3279	1	Valve-Control (Traction)	13	132-8414	1	Foam-Shield, Heat
3	112-2620	1	Bar-Reference	14	132-8415	1	Foam-Shield, Heat
4	321-5	6	Screw-HH	15	75-5470	2	Spacer-Bearing
5	3296-42	10	Nut-Lock, NI	16	133-1642	1	Cover-Rubber
6	130-7723	2	Ball-Traction	17	133-1641	1	Plate-Clamp
7	130-7692	1	Handle-Control	18	321-6	2	Screw-HH
8	3234-5	4	Screw-HHF	19	138-0791	1	Bar-Reference

Go to Discount-Equipment.com to order your parts

Control Valve Assembly No. 145-3279



Parts not listed in
Parts List are not
serviced separately

Go to DiscountEquipment.com to order your parts

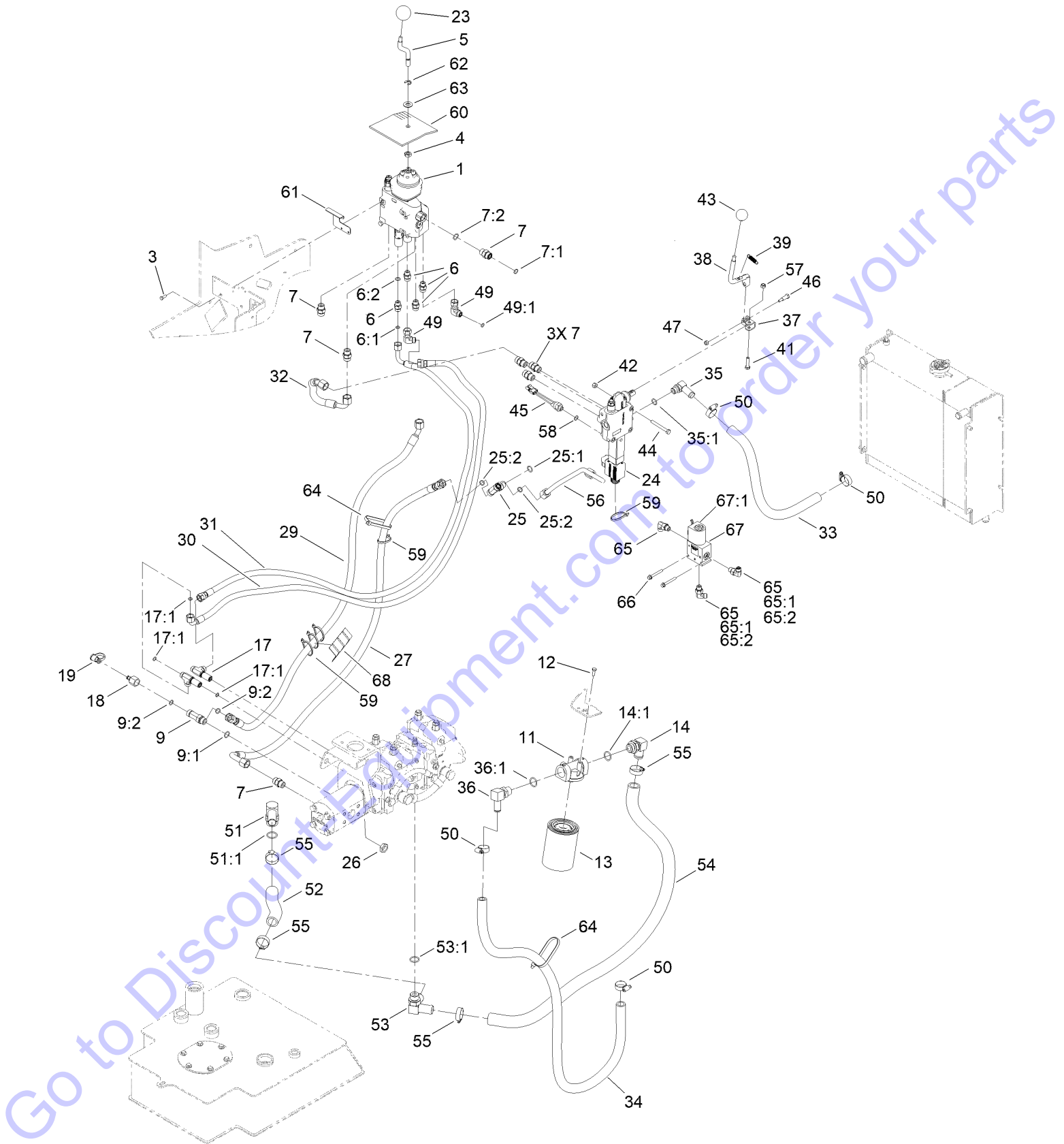
Control Valve Assembly No. 145-3279 (continued)

<i>Ref.</i>	<i>Part Number</i>	<i>Qty.</i>	<i>Description</i>	<i>Ref.</i>	<i>Part Number</i>	<i>Qty.</i>	<i>Description</i>
1	132-6034	2	Bellow Kit	3	132-6037	2	Switch Holder Lever Kit
1:1		1	Bellow-Rubber ●	3:1		1	Lever-Holder, Switch ●
1:2		1	Tie-Cable ●	3:2		1	Spring-Return ●
2	132-6036	2	Fulcrum Kit	3:3		1	Sphere ●
2:1		4	Screw ●	3:4		1	Holder-Spring ●
2:2		1	Support Kit ●	4	100-7246	2	O-Ring
2:3		1	Plate-Mounting ●				

Go to Discount-Equipment.com to order your parts

● Not serviced separately

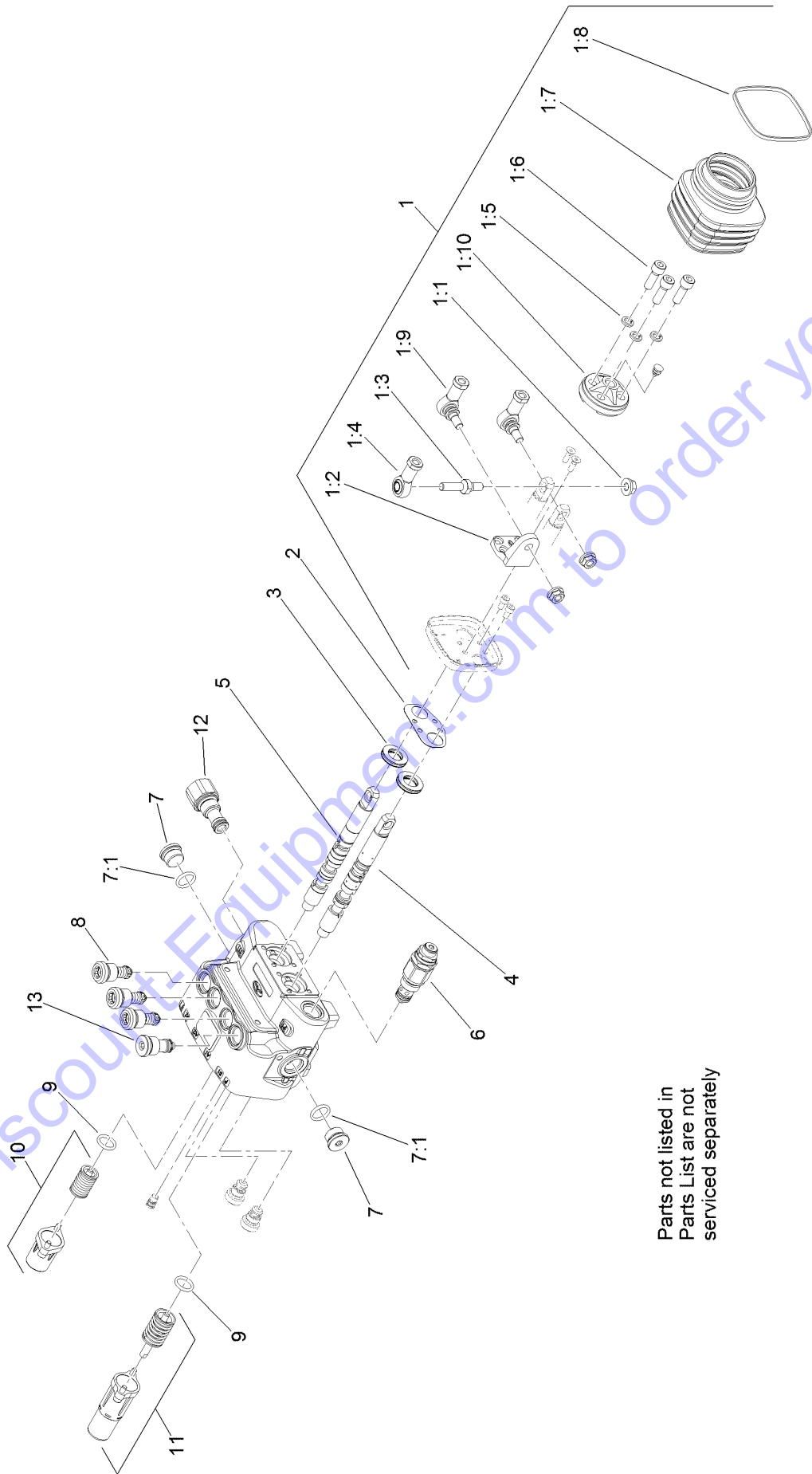
2-Spool Valve and Auxiliary Valve Assembly



2-Spool Valve and Auxiliary Valve Assembly (continued)

<i>Ref.</i>	<i>Part Number</i>	<i>Qty.</i>	<i>Description</i>	<i>Ref.</i>	<i>Part Number</i>	<i>Qty.</i>	<i>Description</i>
1	144-7353	1	Valve-2 Spool	36:1	237-81	1	O-Ring
3	322-4	3	Screw-HH	37	133-0235	1	Bracket-Auxiliary
4	51-2070	1	Nut	38	131-9277	1	Handle ASM
5	131-8025	1	Shaft-Handle, Lift/Tilt	39	114-0249	1	Spring-Extension
6	340-2	4	Fitting-Straight	41	33114-035	1	Screw-HH
6:1	237-22	1	O-Ring	42	3296-29	3	Nut-Lock, NI
6:2	237-42	1	O-Ring	43	233-42	1	Knob
7	340-4	7	Fitting-Straight	44	322-13	3	Screw-HH
7:1	237-30	1	O-Ring	45	72-4310	1	Switch-Ball
7:2	237-79	1	O-Ring	46	119-2309	1	Bolt-Shoulder
9	340-109	1	Fitting-Tee	47	3296-42	1	Nut-Lock, NI
9:1	237-79	1	O-Ring	49	340-159	2	Elbow-90
9:2	237-30	2	O-Ring	49:1	237-22	2	O-Ring
11	92-5821	1	Head-Filter	50	2412-129	4	Clamp-Hose
12	321-4	2	Screw-HH	51	56-9530	1	Fitting-HYD, 90 DEG
13	86-3010	2	Filter-Oil	51:1	237-117	1	O-Ring
14	100-4202	1	Fitting-90	52	127-9627	1	Hose-Suction
14:1	237-81	1	O-Ring	53	AU375462A1	1	Connector
17	340-68	2	Fitting-Tee, Bulkhead	53:1	237-81	1	O-Ring
17:1	237-22	3	O-Ring	54	127-9626	1	Hose-Return
18	100-5616	1	Fitting	55	2412-34	4	Clamp-Hose
19	354-79	1	Cap-Dust	56	131-9226	1	Hydraulic Tube ASM
23	233-21	1	Knob	57	33024-00	1	Nut-Lock, NI
24	145-4402	1	Valve- Aux, Double Detent	58	237-42	1	O-Ring
25	340-157	1	Fitting-HYD, Tee	59	3290-378	5	Tie-Cable
25:1	237-79	1	O-Ring	60	131-8011	1	Deflector-Air
25:2	237-30	2	O-Ring	61	131-8012	1	Bracket-Deflector
26	340-70	4	Nut-Lock	62	32151-68	1	Ring-Retaining
27	139-0795	1	HYD Hose ASM	63	110-6894	1	Washer-Pivot
29	139-0796	1	HYD Hose ASM	64	3334-945	2	Tie-Cable
30	139-0797	1	HYD Hose ASM	65	340-82	3	Fitting-Elbow, 90 DEG
31	139-0798	1	HYD Hose ASM	65:1	237-42	1	O-Ring
32	145-4535	1	HYD Hose	65:2	237-21	1	O-Ring
33	130-7565	1	Hose-Return	66	3234-34	2	Screw-HHF
34	130-7566	1	Hose-Return	67	158-627	1	Solenoid Valve
35	353-954	1	Fitting-Elbow, 90	67:1	217-770	1	Solenoid Coil
35:1	237-79	1	O-Ring	68	AU112950	2	Protector-Hose
36	353-987	1	Fitting-Elbow, 90				

2-Spool Valve Assembly No. 144-7353



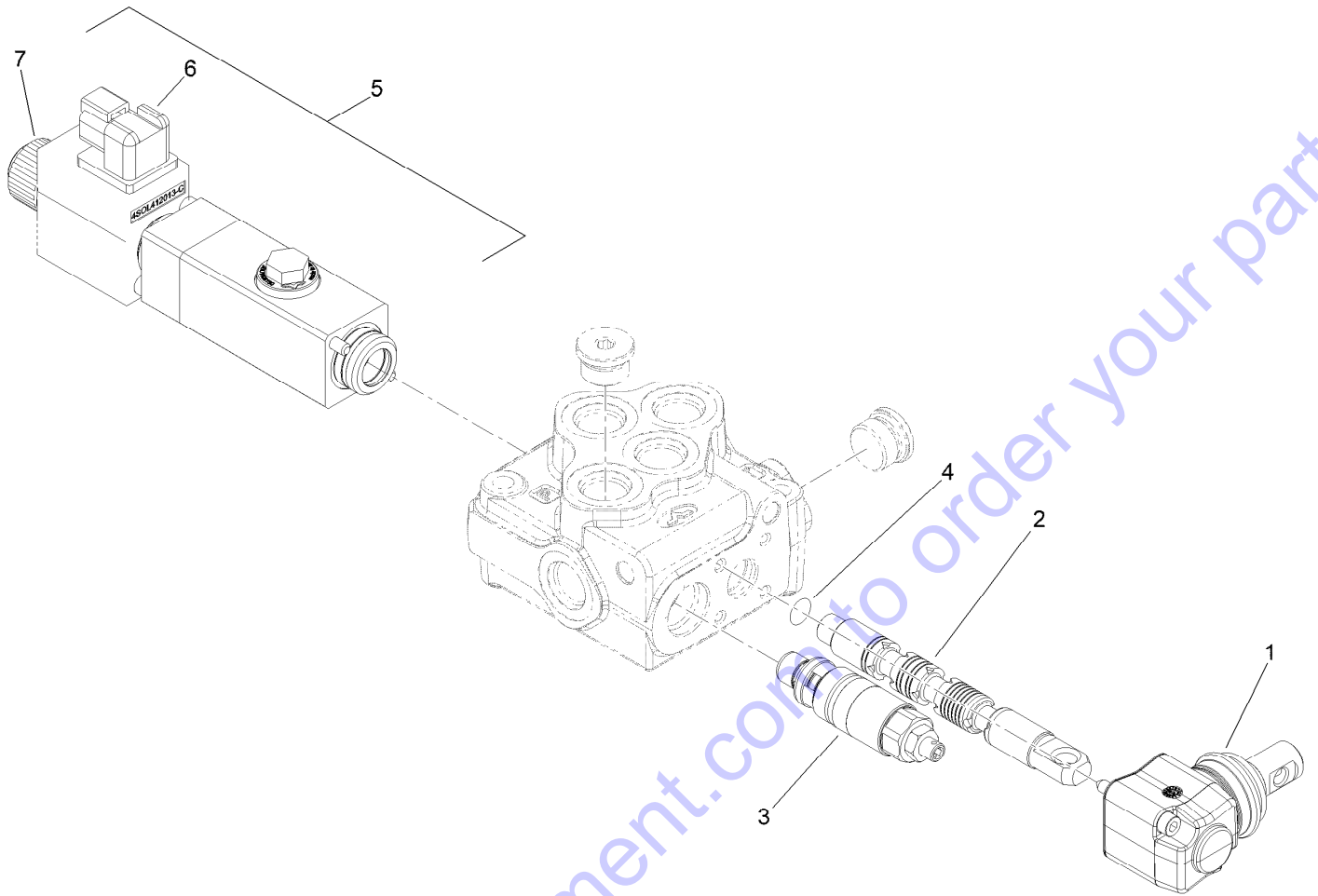
Parts not listed in
Parts List are not
serviced separately

2-Spool Valve Assembly No. 144-7353 (continued)

<i>Ref.</i>	<i>Part Number</i>	<i>Qty.</i>	<i>Description</i>	<i>Ref.</i>	<i>Part Number</i>	<i>Qty.</i>	<i>Description</i>
1	106-7724	1	Joystick Kit	3	106-7738	2	Seal-Valve, Spool
1:1	98-0668	3	Nut	4	144-7350	1	Spool - Valve
1:2	106-7726	1	Pivot-Joystick	5	106-7736	1	Spool-Valve
1:3	106-7727	1	Pin-Joystick	6	132-6031	1	Valve-Relief, Main
1:4	106-7728	1	End-Rod	7	353-988	2	Plug-Hex
1:5	42-9850	3	Washer-Lock, Spring	7:1	237-79	1	O-Ring
1:6	98-5828	3	Screw-HSH	8	106-7734	3	Valve-Relief
1:7	106-7729	1	Bellow-Rubber	9	106-7719	2	Seal-Valve
1:8	3290-379	1	Tie-Cable	10	106-7732	1	Valve Spring Kit
1:9	106-7730	2	Joint-Joystick	11	106-7733	1	Detent Spring Kit
1:10	106-7731	1	Holder-Articulated	12	132-6032	1	Joint-SAE 8
2	106-7725	1	Seal-Joystick	13	132-6033	1	Plug

Go to Discount-Equipment.com to order your parts

Double Detent Auxiliary Valve Assembly No. 145-4402



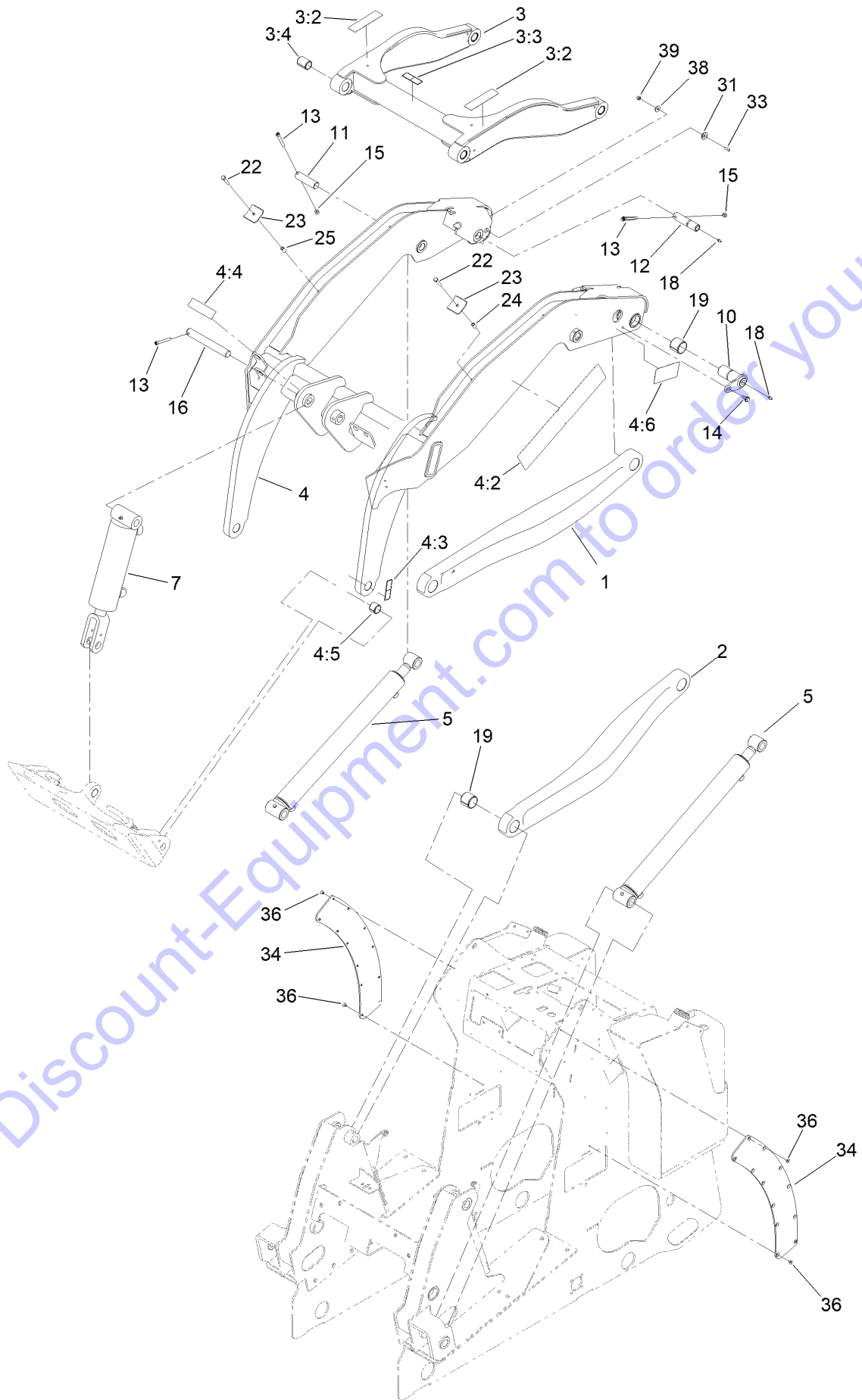
Go to Discount-Equipment.com to order your parts

Double Detent Auxiliary Valve Assembly No. 145-4402 (continued)

<i>Ref.</i>	<i>Part Number</i>	<i>Qty.</i>	<i>Description</i>	<i>Ref.</i>	<i>Part Number</i>	<i>Qty.</i>	<i>Description</i>
1	132-6038	1	Lever Kit (With Screws)	5	145-4404	1	Kit-Valve, Spring/Coil ASM
2	145-4403	1	Spool-Valve	6	136-5811	1	Coil-Valve
3	132-6039	1	Valve-Relief	7	145-4405	1	Pull Tube, Valve
4	106-7719	1	Seal-Valve				

Go to Discount-Equipment.com to order your parts

Loader Arm Assembly



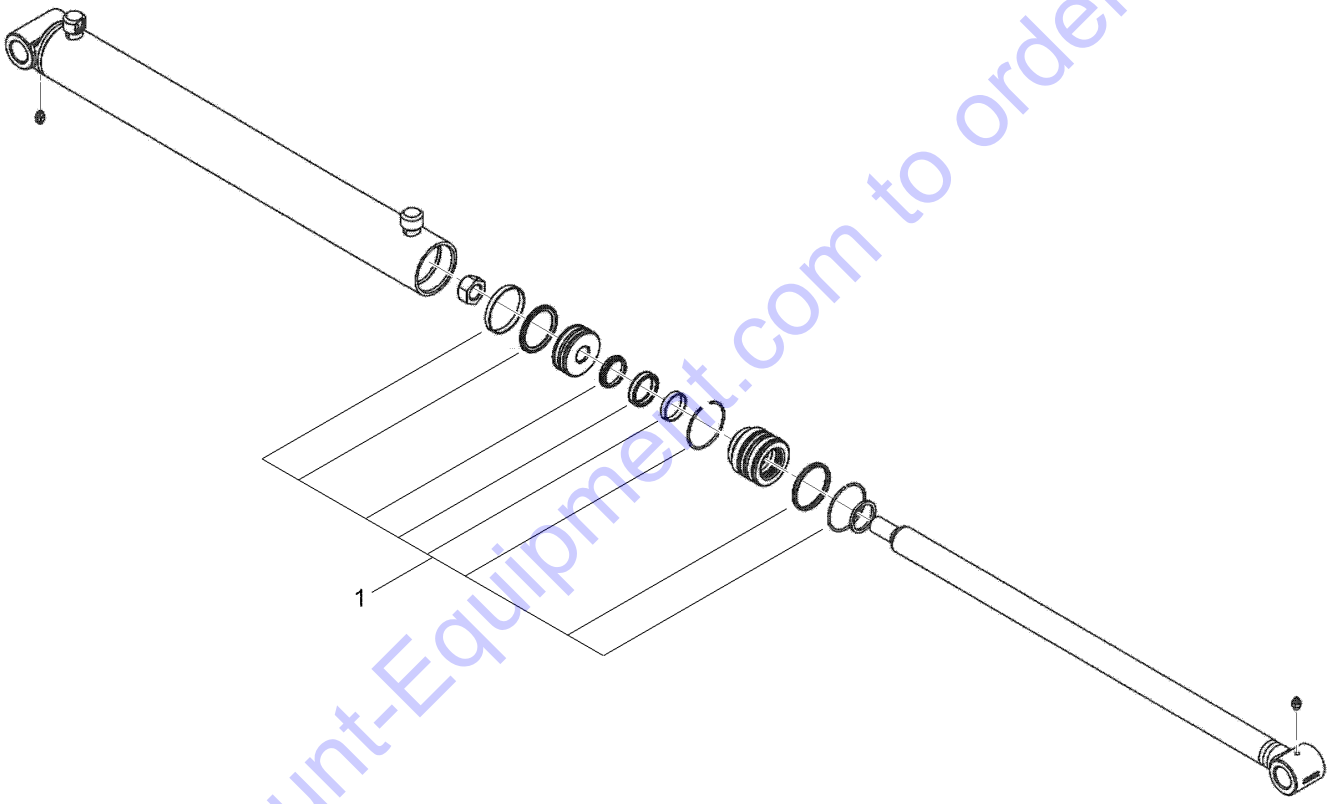
Go to Discount-Equipment.com to order your parts

Loader Arm Assembly (continued)

<i>Ref.</i>	<i>Part Number</i>	<i>Qty.</i>	<i>Description</i>	<i>Ref.</i>	<i>Part Number</i>	<i>Qty.</i>	<i>Description</i>
1	130-5151-03	1	Link-Lower, LH	12	125-3695	2	Pin-Link
2	130-5153-03	1	Link-Lower, RH	13	3274-40	5	Screw-HSH
3	130-5318	1	Link-Upper	14	99-5105	2	Screw-Shoulder
3:2	130-2836	2	Decal-Warning, Crushing	15	3296-29	4	Nut-Lock, NI
3:3	120-0625	1	Decal-Warning	16	130-5210	1	Pin-Locking
3:4	130-5200	4	Bushing-Spring	18	302-5	4	Fitting-Grease
4	131-8023	1	Loader Arm ASM	19	130-5199	4	Bushing-Spring
4:2	133-0217	2	Decal	22	5-1470	4	Screw-HH
4:3	120-0625	2	Decal-Warning	23	130-5221	4	Plate-Holddown, Hose
4:4	115-4855	1	Decal-Caution	24	131-9150	2	Spacer-Hose
4:5	98-4871	2	Bushing-Tension	25	131-9151	2	Spacer-Hose
4:6	131-0711	2	Decal-Warning	31	133-1666	2	Guide
5	140-7634	2	Cylinder HYD (2.25X20.16 Double Action)	33	3274-31	2	Screw-HSBH
7	139-0779	1	CYL-HYD	34	131-0596	2	Pad-Wear, Frame
10	136-4708	2	Pin-Pivot	36	ST80422	16	Screw
11	130-5178	2	Pin-Pivot	38	87-6630	2	Washer-Plain
				39	3296-42	2	Nut-Lock, NI

Go to Discount-Equipment.com to order your parts

Hydraulic Cylinder Assembly No. 140-7634

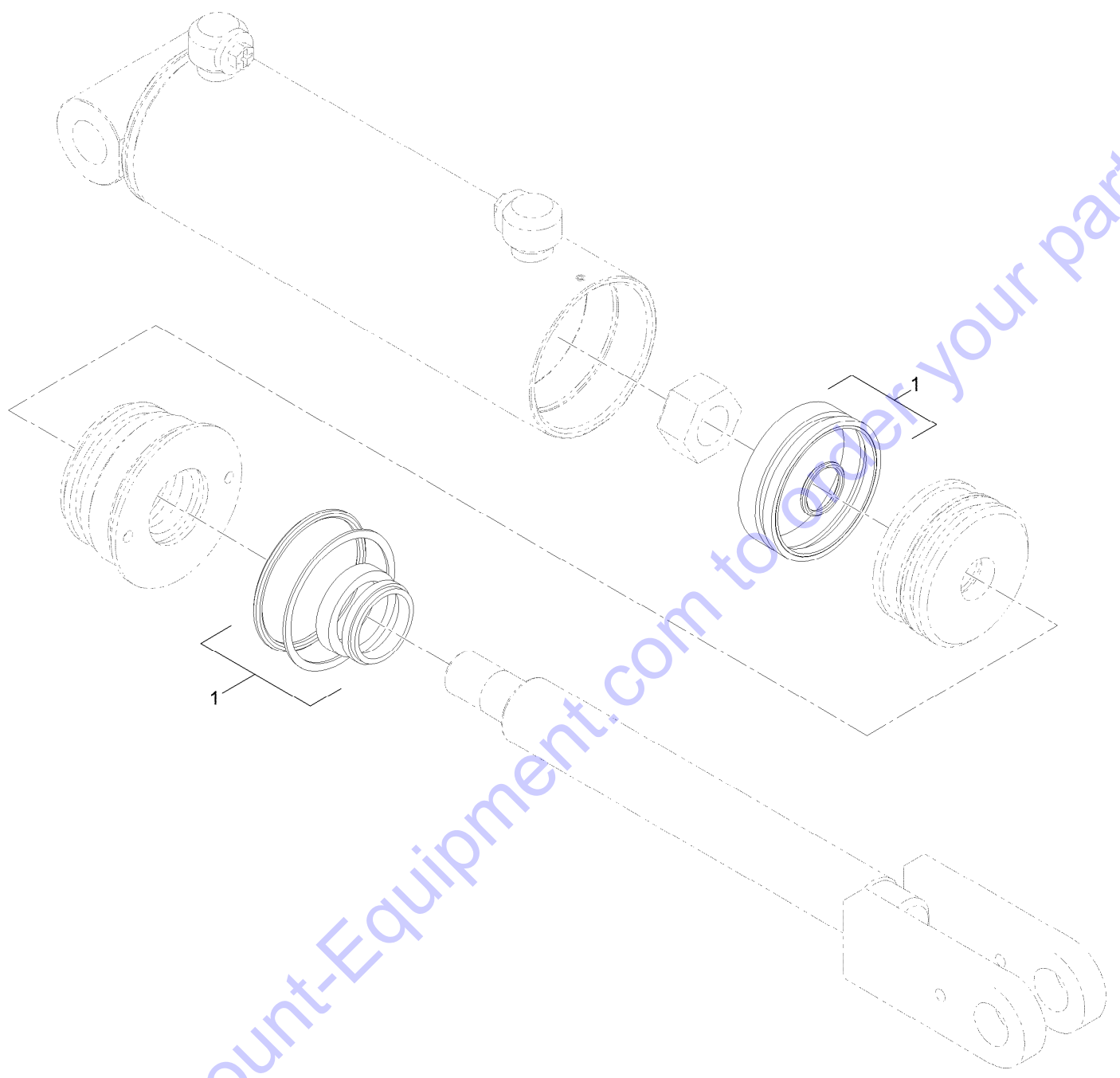


Hydraulic Cylinder Assembly No. 140-7634 (continued)

<i>Ref.</i>	<i>Part Number</i>	<i>Qty.</i>	<i>Description</i>
1	140-5309	1	Kit-Seal, Hydraulic CYL

Go to Discount-Equipment.com to order your parts

Hydraulic Cylinder Assembly No. 139-0779

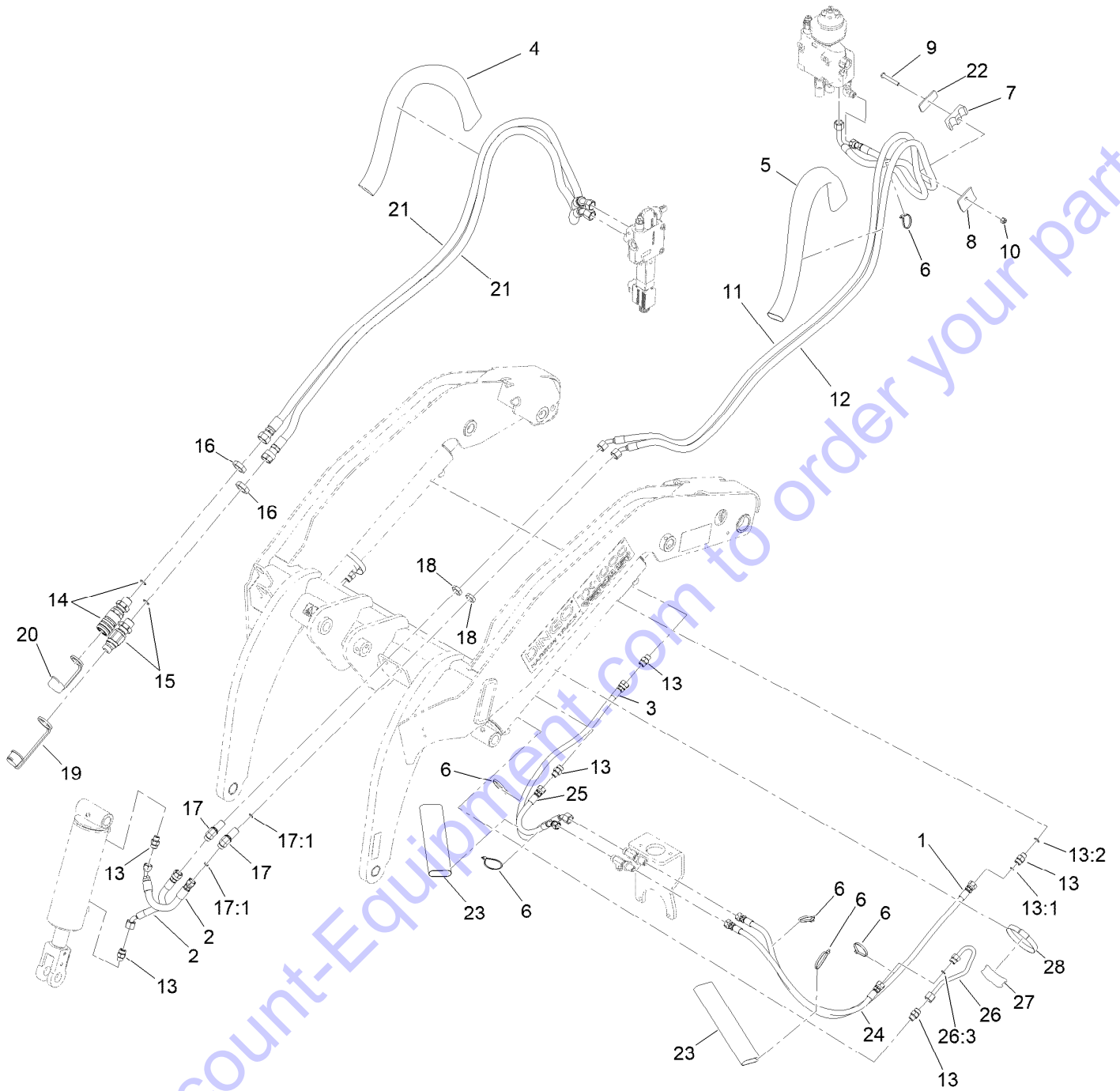


Hydraulic Cylinder Assembly No. 139-0779 (continued)

<i>Ref.</i>	<i>Part Number</i>	<i>Qty.</i>	<i>Description</i>
1	140-5308	1	Kit-Seal, Hydraulic CYL

Go to Discount-Equipment.com to order your parts

Loader Hydraulic Assembly



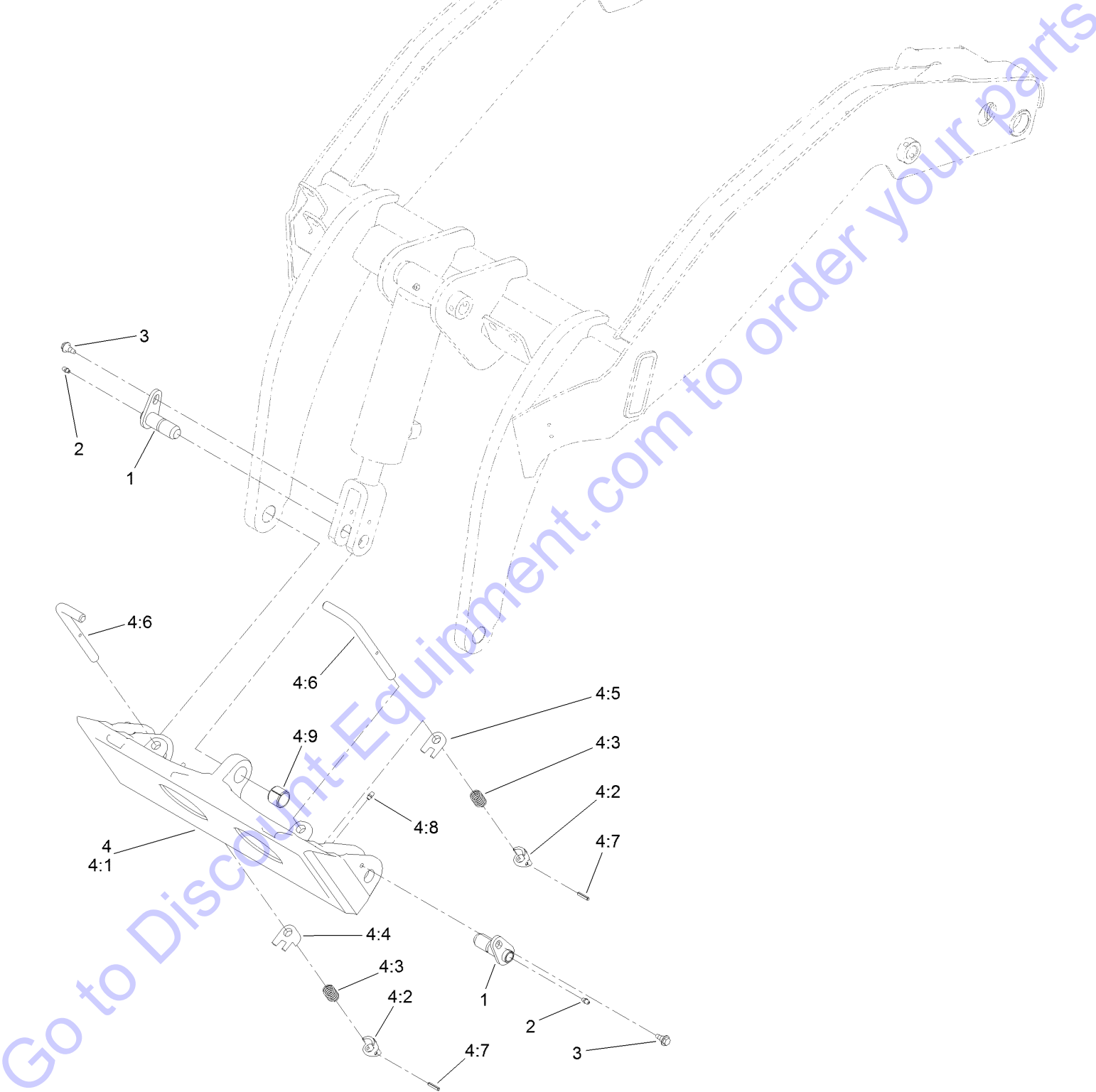
Go to Discount-Equipment.com to order your parts

Loader Hydraulic Assembly (continued)

<i>Ref.</i>	<i>Part Number</i>	<i>Qty.</i>	<i>Description</i>	<i>Ref.</i>	<i>Part Number</i>	<i>Qty.</i>	<i>Description</i>
1	144-4114	1	Hose ASM	15	139-4799	1	Coupler ASM,Bulkhead,
2	139-0802	2	HYD Hose ASM	16	340-74	2	Nut-Lock, Bulkhead
3	144-4111	1	Hose ASM	17	340-69	2	Elbow-Bulkhead, 45 DEG
4	130-7718	1	Sleeve-Protective	17:1	237-22	2	O-Ring
5	100-6128	1	Sleeve-Protective	18	340-70	2	Nut-Lock
6	3290-378	6	Tie-Cable	19	100-8815	1	Cap-Dust, Nipple
7	94-8105	2	Clamp-Tube	20	100-8816	1	Cap-Dust, Coupler
8	130-5221	2	Plate-Holddown, Hose	21	139-0806	2	HYD Hose ASM
9	9114524	2	Bolt-TAP, HH	22	131-9152	2	Plate-Clamp, Hose
10	3296-29	2	Nut-Lock, NI	23	133-8568	2	Sleeve-Protective
11	139-0804	1	HYD Hose ASM	24	144-4112	1	Hose ASM
12	139-0805	1	HYD Hose ASM	25	144-4115	1	Hose ASM
13	340-2	6	Fitting-Straight	26	140-5724	2	Tube-HYD
13:1	237-22	1	O-Ring	26:3	237-22	1	O-Ring
13:2	237-42	1	O-Ring	27	137-0146	2	Block-Hardline
14	139-4798	1	Coupler ASM,Bulkhead,	28	2412-110	2	Clamp-Band/Screw

Go to Discount-Equipment.com to order your parts

Quick Attach Assembly

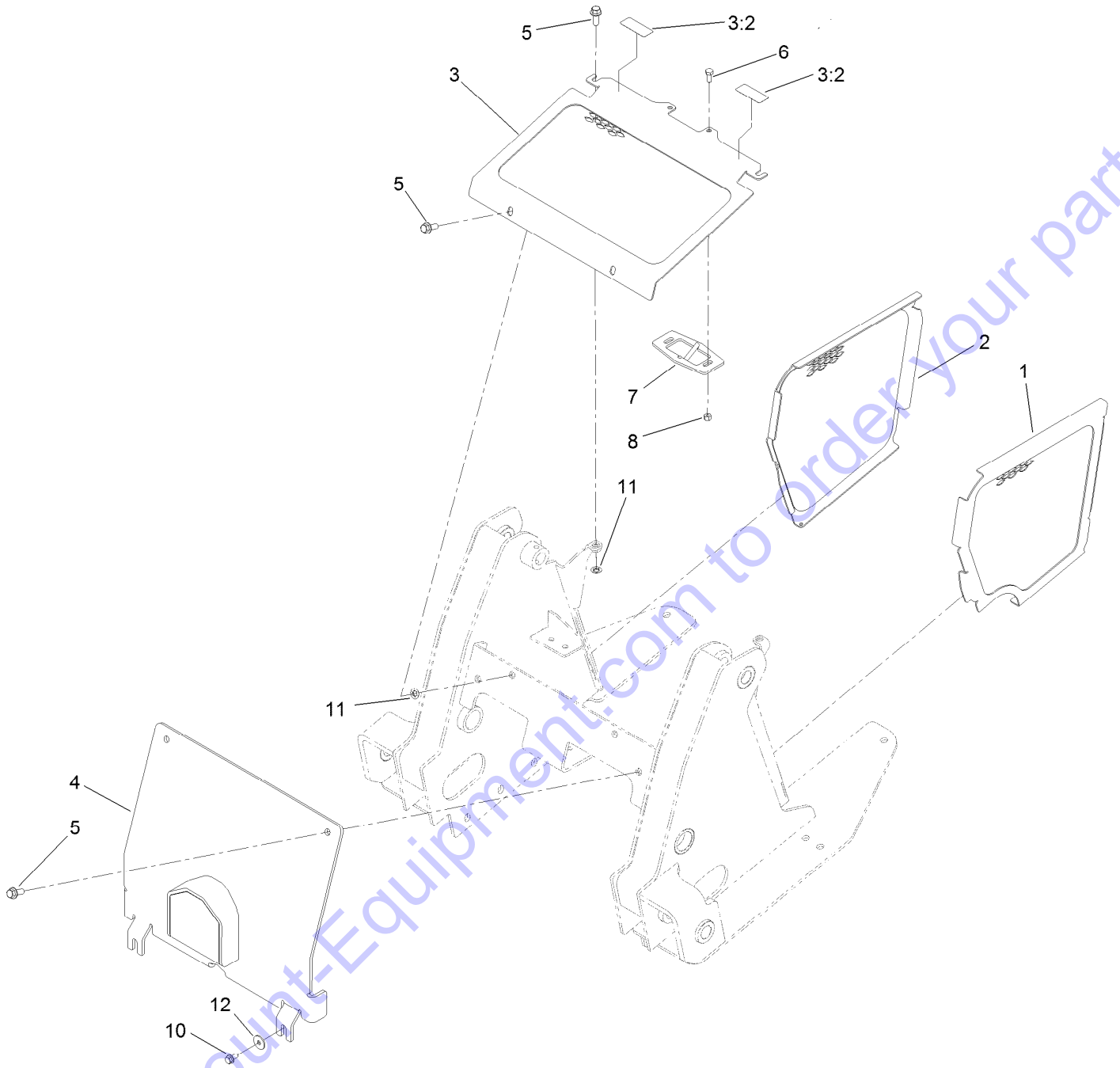


Quick Attach Assembly (continued)

<i>Ref.</i>	<i>Part Number</i>	<i>Qty.</i>	<i>Description</i>	<i>Ref.</i>	<i>Part Number</i>	<i>Qty.</i>	<i>Description</i>
1	130-5222	3	Pin-Pivot	4:4	104-5909	1	Stop-RH
2	302-5	3	Fitting-Grease	4:5	104-5903	1	Stop-LH
3	99-5105	3	Screw-Shoulder	4:6	132-8419	2	Pin-Locking
4	132-8418	1	Quick Attach ASM	4:7	3285-1	2	Pin-Grooved
4:1	130-7708-03	1	Mount-Qtach	4:8	302-5	2	Fitting-Grease
4:2	105-0246	2	Cam	4:9	98-4871	1	Bushing-Tension
4:3	98-4694	2	Spring-Compression				

Go to Discount-Equipment.com to order your parts

Front Cover and Side Panel Assembly



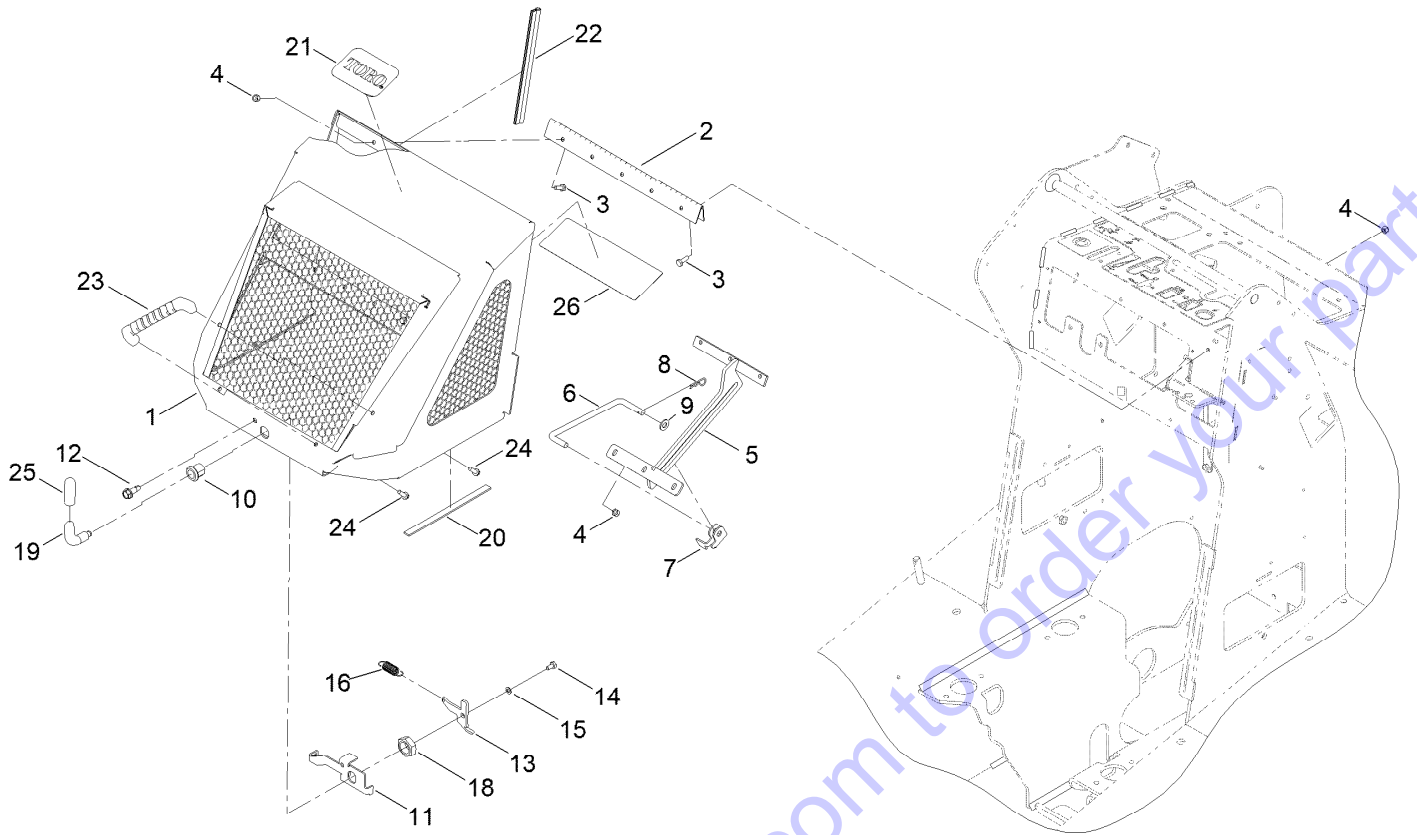
Go to Discount-Equipment.com to order your parts

Front Cover and Side Panel Assembly (continued)

<i>Ref.</i>	<i>Part Number</i>	<i>Qty.</i>	<i>Description</i>	<i>Ref.</i>	<i>Part Number</i>	<i>Qty.</i>	<i>Description</i>
1	132-1734-03	1	Panel-Side, LH	6	322-3	2	Screw-HH
2	132-1733-03	1	Panel-Side, RH	7	130-5239-03	1	Hood Latch/Rod ASM
3	136-5752	1	Front Cover ASM	8	3296-29	2	Nut-Lock, NI
3:2	115-2047	2	Decal-Surface, Hot	10	3234-5	2	Screw-HHF
4	133-0230-03	1	Cover-Front	11	107-3154	2	Nut-Push
5	3234-42	6	Screw-HHF	12	115-7109	2	Washer-Flat

Go to Discount-Equipment.com to order your parts

Hood Assembly

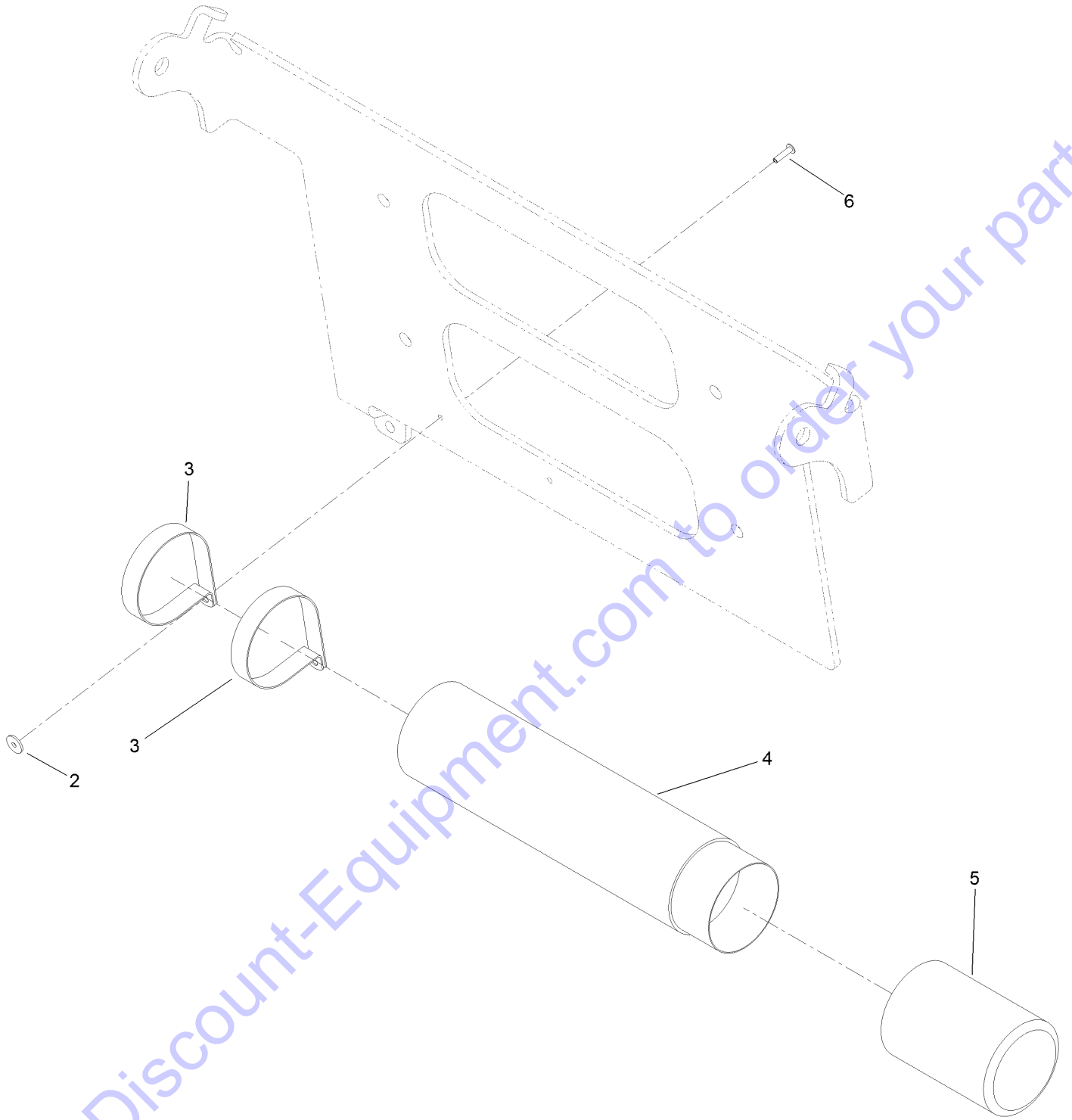


Hood Assembly (continued)

<i>Ref.</i>	<i>Part Number</i>	<i>Qty.</i>	<i>Description</i>	<i>Ref.</i>	<i>Part Number</i>	<i>Qty.</i>	<i>Description</i>
1	130-5298-03	1	Engine Hood ASM	19	108-5639	1	Handle-Latch
2	100-1284	1	Hinge-Hood	20	132-7282	2	Strip-Foam
3	321-4	12	Screw-HH	21	117-0871	1	Decal
4	3296-42	12	Nut-Lock, NI	22	130-5345	1	Trim-Seal, Bulb
5	130-5228-03	1	Bracket-Prop, Hood	23	65-5100	2	Handle-Door
6	108-6357	1	Rod-Support, Hood	24	46-8091	4	Screw-HWH
7	115-0714	1	Bracket-Latch, Locking	25	133-0206	1	Grip-Lever, Hood
8	3290-250	1	Pin-Cotter	26	139-8822	1	Decal-Service Tx1000 De
9	3256-24	1	Washer-Flat	26	139-8826	1	Decal-Service Tx1000 ES
10	106-9335	1	Housing-Latch	26	139-8831	1	Decal-Service Tx1000 Fr
11	130-5232-03	1	Bracket-Latch	26	139-8836	1	Decal-Service Tx1000 It
12	105-6245	1	Screw-Tapping	26	139-8841	1	Decal-Service Tx1000 Ne
13	130-5233	1	Cam-Hooked	26	139-8846	1	Decal-Service Tx1000 PI
14	321-2	1	Screw-HH	26	139-8851	1	Decal-Service Tx1000 Ru
15	3253-3	1	Washer-Lock	26	139-8856	1	Decal-Service Tx1000 Sk
16	104-0869	1	Spring	26	140-3619	1	Decal, Service Tx1000
18	119-7457	1	Nut				

Go to Discount-Equipment.com to order parts

Manual Tube Assembly



Go to Discount-Equipment.com to order your parts

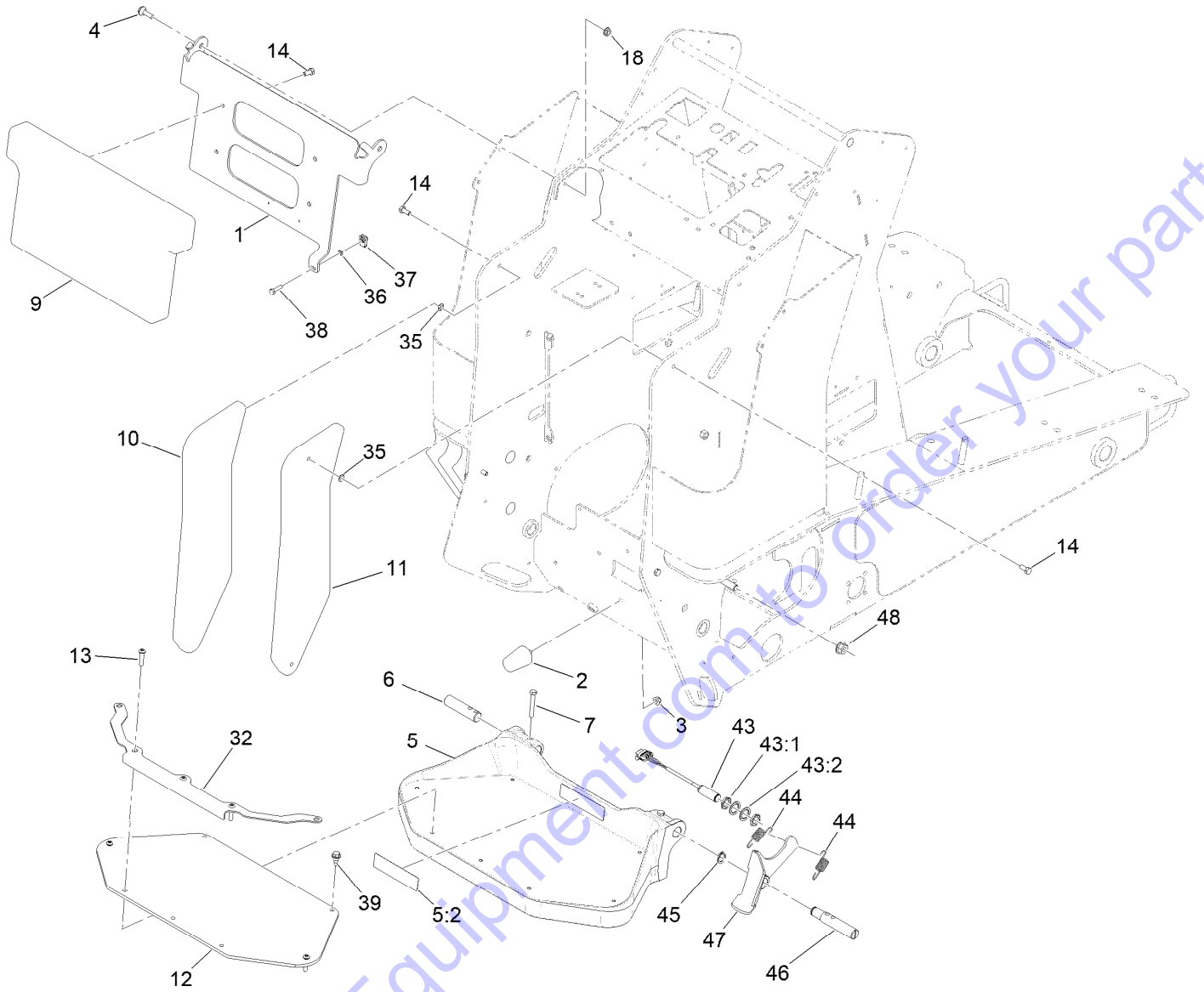
Manual Tube Assembly (continued)

<i>Ref.</i>	<i>Part Number</i>	<i>Qty.</i>	<i>Description</i>
2	3269-10	2	Washer-Back
3	2412-120	2	Clamp-R
4	104-7050	1	Tube-Manual

<i>Ref.</i>	<i>Part Number</i>	<i>Qty.</i>	<i>Description</i>
5	104-7048	1	Cap-Housing
6	3269-17	2	Rivet-Pop

Go to Discount-Equipment.com to order your parts

Platform Assembly



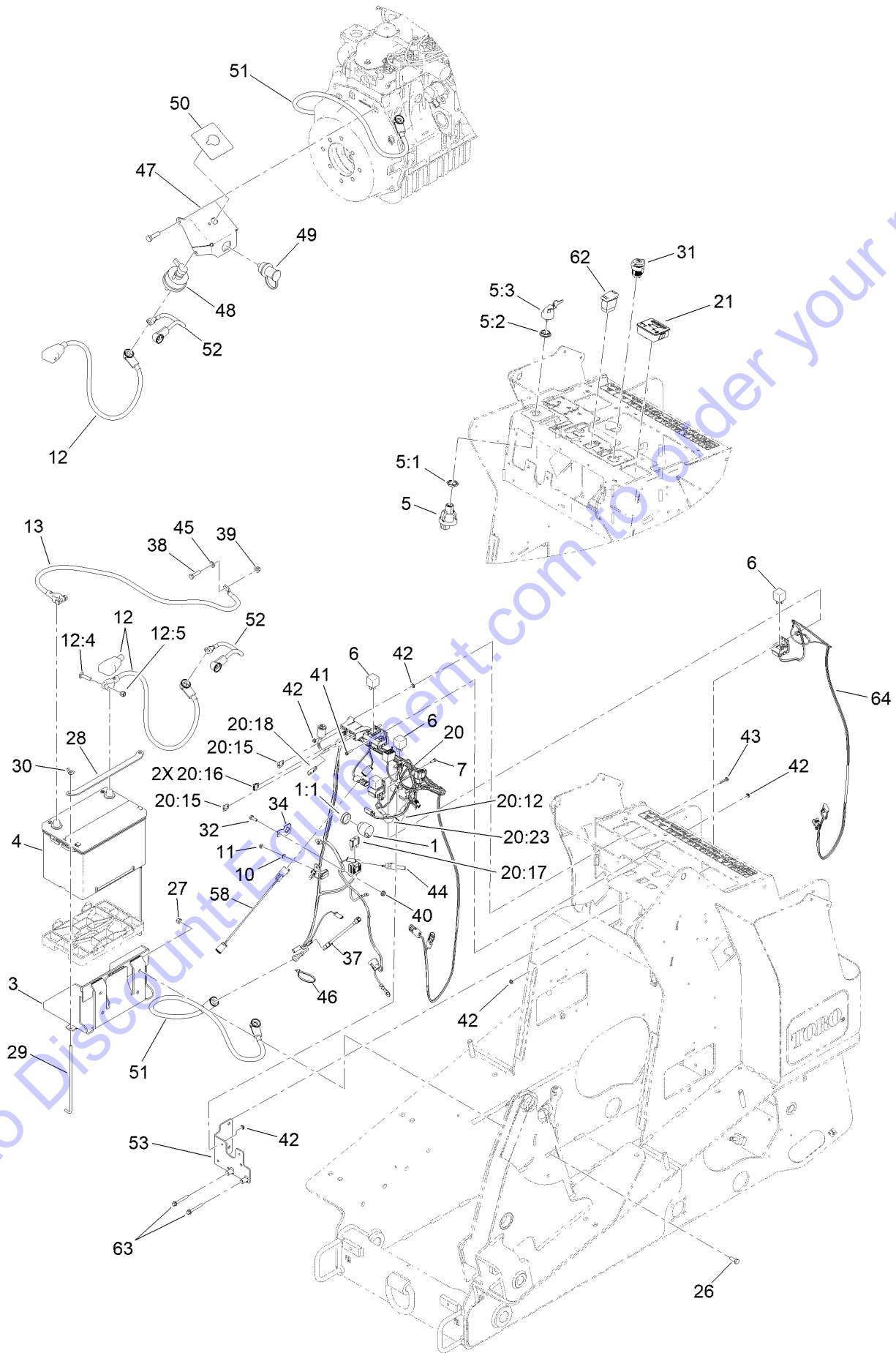
Go to Discount-Equipment.com to order your parts

Platform Assembly (continued)

<i>Ref.</i>	<i>Part Number</i>	<i>Qty.</i>	<i>Description</i>	<i>Ref.</i>	<i>Part Number</i>	<i>Qty.</i>	<i>Description</i>
1	132-6026-03	1	Hinge-Pad	32	144-7371-03	1	Plate - Clamp
2	110-5070	3	Bumper	35	117-2749	2	Nut-Push
3	104-8300	3	Nut-HF, NI	36	1-803037	1	Nut-Retaining
4	108-3744	2	Screw-Shoulder	37	107069	1	Clip
5	145-3785	1	Platform	38	321-6	1	Screw-HH
5:2	131-0709	1	Decal-Parking Brake	39	99-5105	2	Screw-Shoulder
6	125-3749	1	Pin-Cylinder	43	115-5300	1	Proximity Switch ASM
7	322-11	2	Screw-HH	43:1	117-3207	2	Nut-Hex
9	130-1042	1	Cushion-Pad	43:2	117-3208	2	Washer-Lock, Internal Tooth
10	130-1043	1	Cushion-Pad	44	137-6189	2	Spring-Extension
11	130-1044	1	Cushion-Pad	45	32120-93	1	Ring-Retaining
12	144-7382	1	Pad-Foot	46	144-0754	1	Pin-Platform
13	3290-511	5	Screw-HSBH	47	145-3759-03	1	Pedal ASM [black]
14	322-3	8	Screw-HH	48	32128-49	2	Nut-HHF
18	32128-20	2	Nut-HF				

Go to Discount-Equipment.com to order your parts

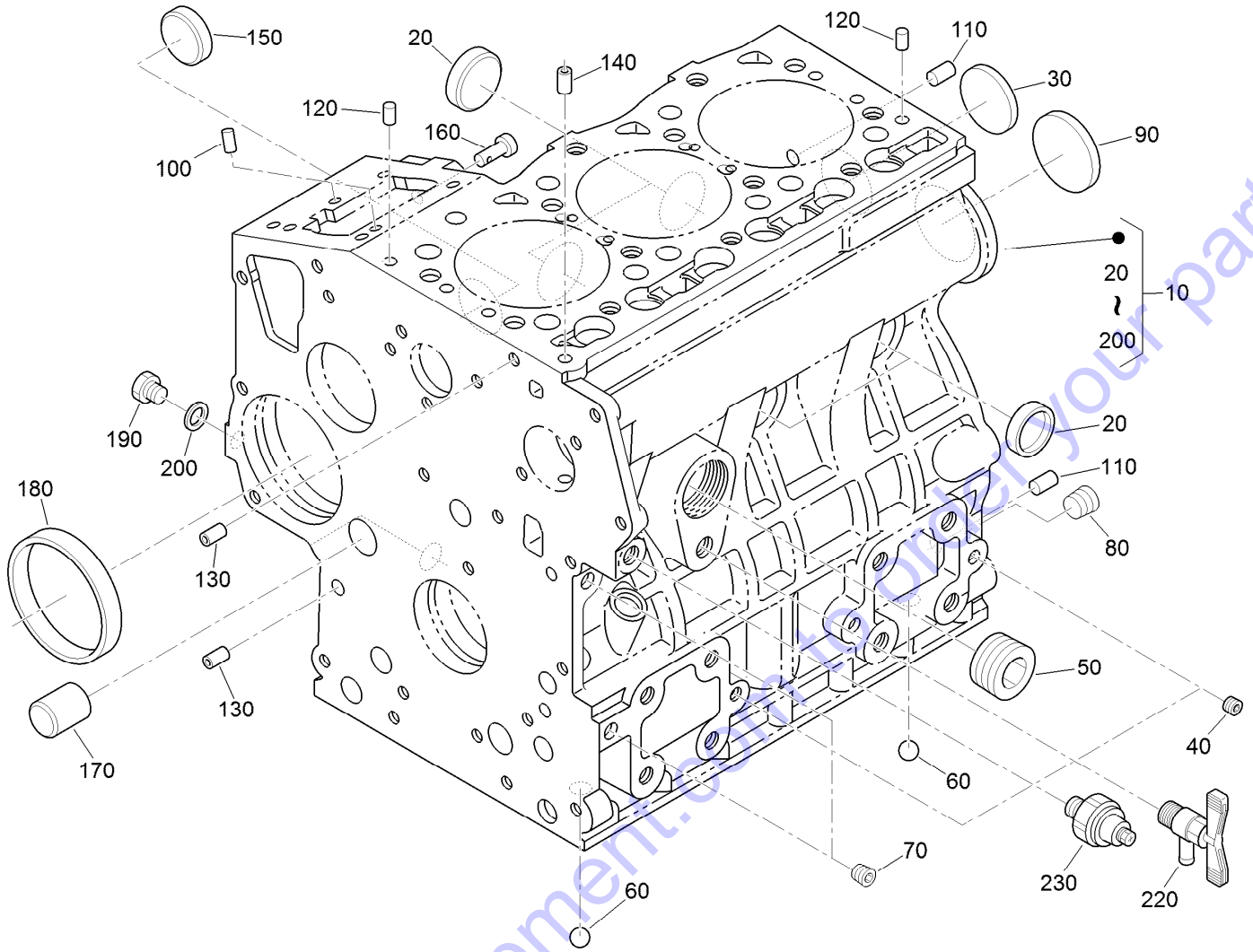
Electrical Assembly



Go to DiscountEquipment.com to order your parts

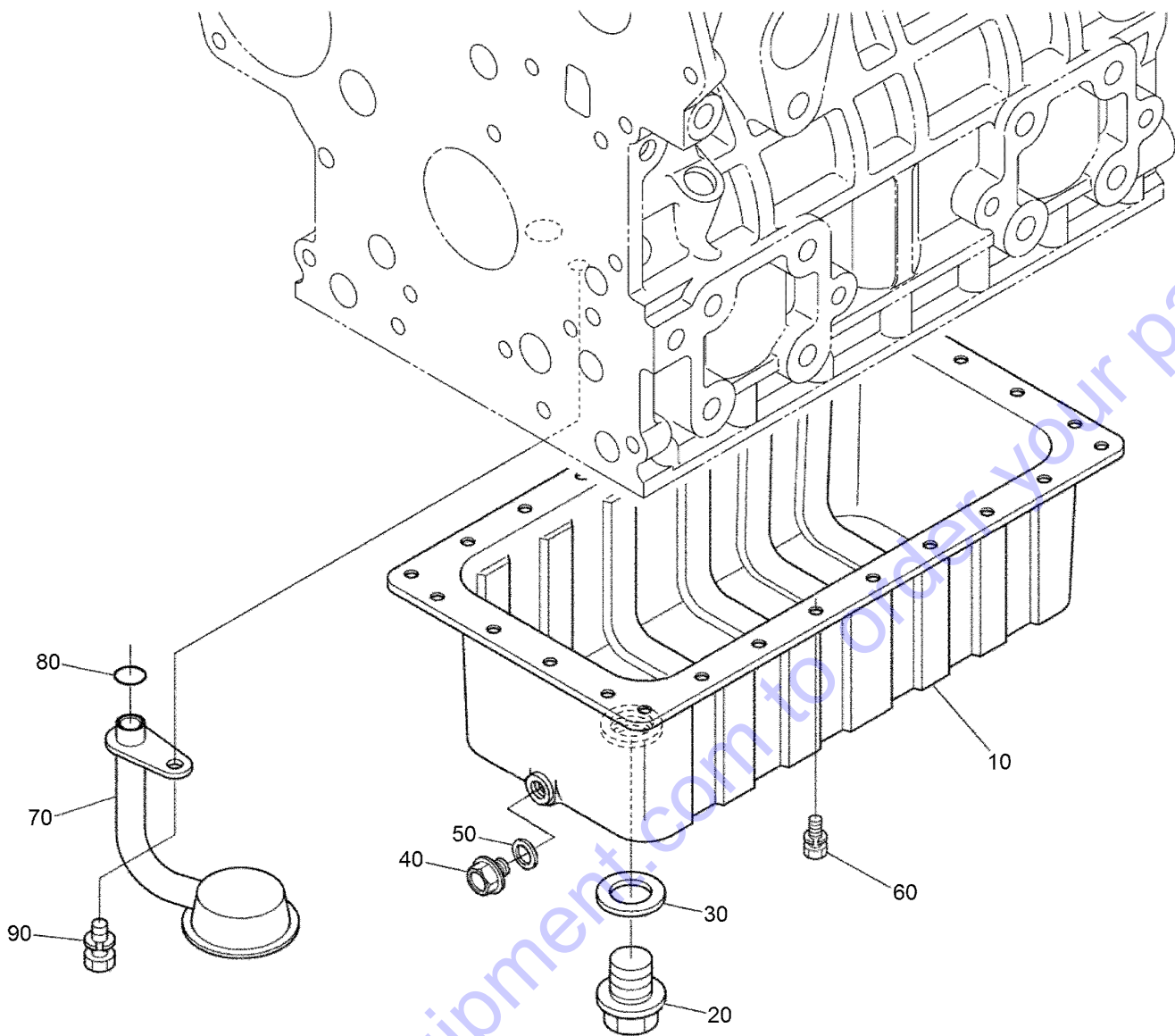
Electrical Assembly (continued)

<i>Ref.</i>	<i>Part Number</i>	<i>Qty.</i>	<i>Description</i>	<i>Ref.</i>	<i>Part Number</i>	<i>Qty.</i>	<i>Description</i>
1	80-9330	1	Audio Alarm ASM	28	136-5755-03	1	Strap-Hold Down, Battery
1:1	104-5107	1	Nut-Plastic, Knurled	29	136-5756	2	Rod-Hold Down, Battery
3	130-5236-03	1	Tray-Battery	30	1-803038	2	Wingnut
4	106-5190	1	Battery, 660 CCA W/O Electrolyte	31	109-9376	1	Receptacle-12V
5	121-5159	1	Switch-Ignition	32	321-4	1	Screw-HH
5:1	121-5160	1	Nut-Hex	34	114-5502	1	Clip-Fuse
5:2	122-2704	1	Nut-Face, M22 (Plastic)	37	112-2463	1	Harness-Link, Fusible
5:3	121-5162	1	Set-Key, Ignition	38	322-6	1	Screw-HH
6	1-643275	6	Relay	39	104-8300	1	Nut-HF, NI
7	3290-134	2	Screw	40	32128-33	1	Nut-HF
10	43-5930	1	Washer-Lock, Spring	41	32105-13	3	Screw-HWH
11	43-2830	1	Nut-Hex	42	32149-7	9	Nut-Keps
12	139-6366	1	Cable-Battery, Pos ASM	43	117-1701	2	Screw-HWHTF
12:4	32180-109	1	Bolt-Battery Clamp, 5/16-18 Unc	44	98-3825	1	Switch-Temp
12:5	32180-108	1	Nut-Clamp, Battery	45	3256-23	1	Washer-Plain
13	104-0761	1	Cable-Negative	46	3290-378	1	Tie-Cable
20	122-2374	1	Harness-Wire, Main	47	131-8009-03	1	Mount-Remote Terminal
20:12	103-3895	1	Diode	48	AUR52278	1	Switch-Disconnect, Master
20:15	218-578	2	Fuse-Blade, 10 Amp	49	132-1364	1	Stud-Jumper, Positive
20:16	109355	2	Fuse-Blade, 15 Amp	50	131-8026	1	Decal-Battery Disconnect
20:17	94-8002	1	Fuse-Blade, 50 Amp	51	131-8032	1	Cable-Battery, Positive
20:18	116-0053	1	Cap-Plug	52	122-0103	1	Cable-Battery, Positive
20:23	100-4918	1	Diode	53	140-5895-0P	1	Bracket
21	130-7635	1	Module-Hour Meter	58	136-5813	1	Harness-Wire
26	322-4	4	Screw-HH	62	122-2542	1	Switch-Rocker, On-None-(On)
27	3296-29	4	Nut-Lock, NI	63	3234-34	2	Screw-HHF
				64	122-2349	1	Harness-Wire, Aux Hold



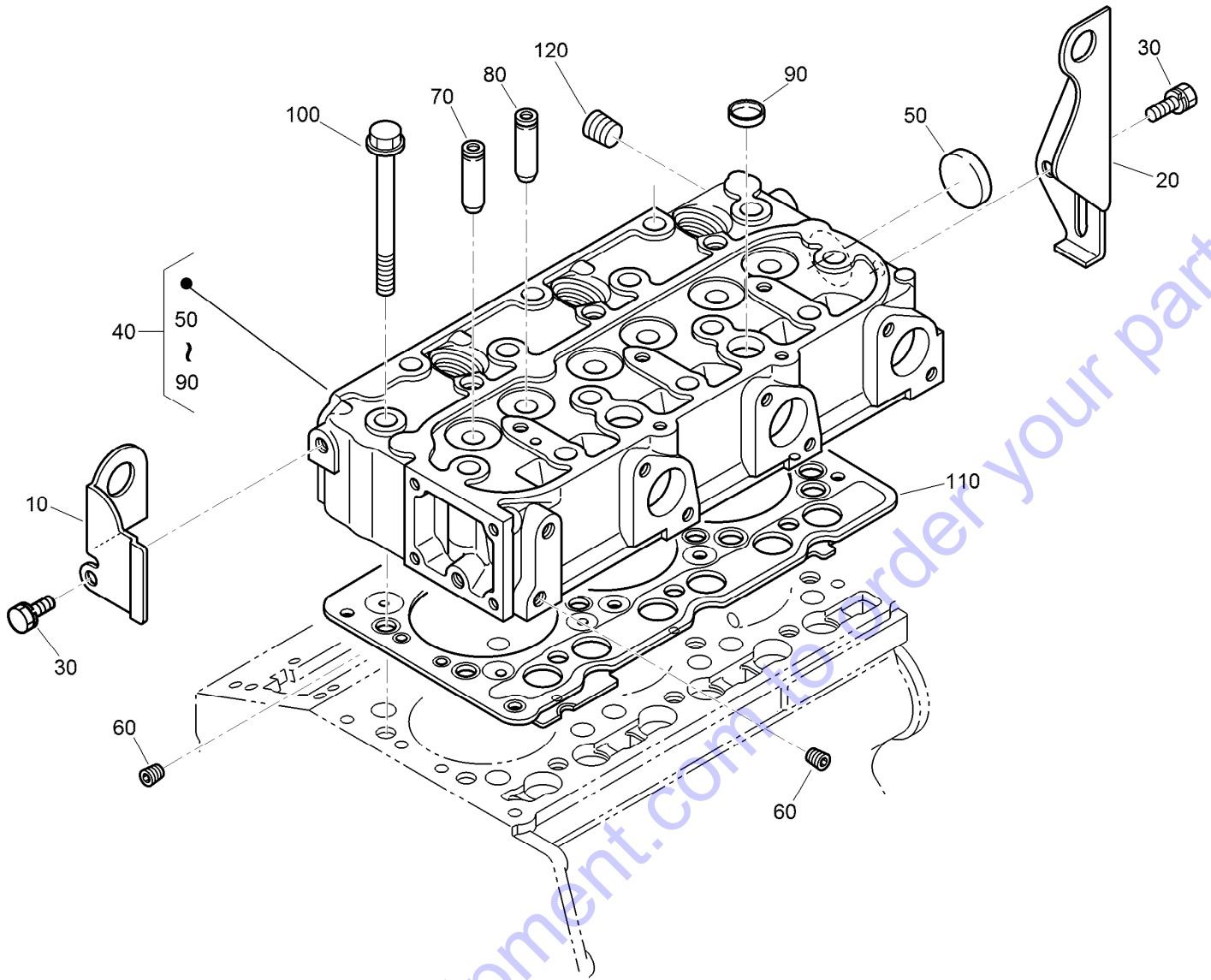
Crankcase Assembly

Ref.	Part Number	Qty.	Description	Ref.	Part Number	Qty.	Description
10	117-8800	1	Crankcase ASM	120	98-9376	2	Pin-Straight
20	98-9398	4	Cap-Sealing	130	98-9387	2	Pin-Pipe
30	98-7539	1	Cap-Sealing	140	98-9539	1	Pin-Pipe
40	98-9687	6	Plug	150	98-9599	1	Plug
50	105-3779	1	Plug	160	98-9630	1	Pin-Spring, Start
60	98-9380	2	Ball	170	98-9675	1	Plug
70	98-7487	2	Plug	180	98-9656	1	Bushing-Governor, Gear
80	98-7488	1	Plug	190	120-2559	1	Plug
90	98-9668	1	Plug-Expansion	200	98-7428	1	Gasket
100	98-9375	2	Pin-Straight	220	120-3121	1	Draincock ASM
110	98-9377	2	Pin-Straight	230	98-9416	1	Switch-Oil



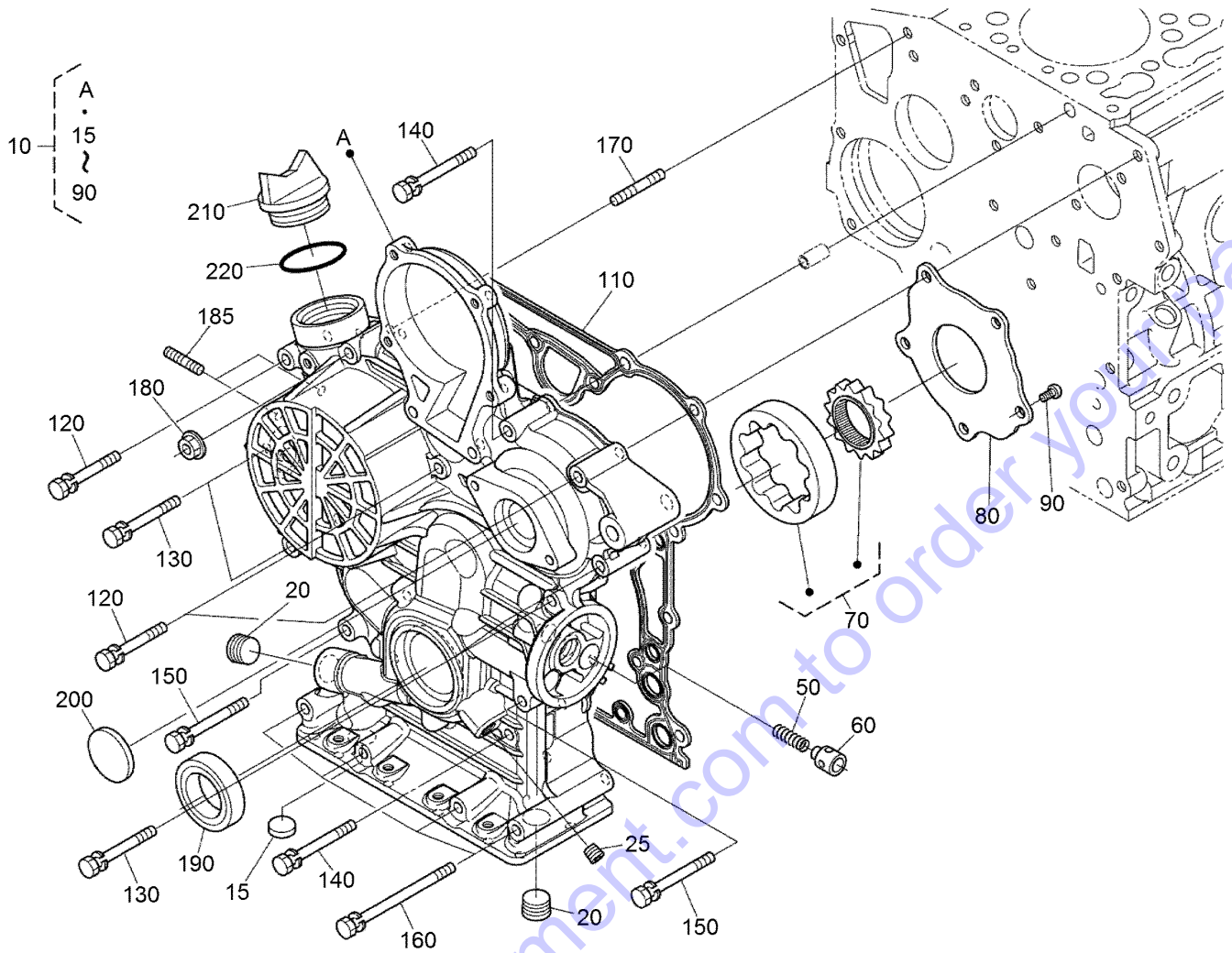
Oil Pan Assembly

Ref.	Part Number	Qty.	Description
10	132-4940	1	Oil Pan ASM
20	98-9686	1	Plug-Drain
30	110-9715	1	Gasket-Pan, Oil
40	114-8151	1	Plug-Drain
50	98-7524	1	Gasket
60	98-9351	26	Bolt
70	132-4939	1	Screen-Filter, Oil
80	105-3776	1	O-Ring
90	98-7526	1	Bolt



Cylinder Head Assembly

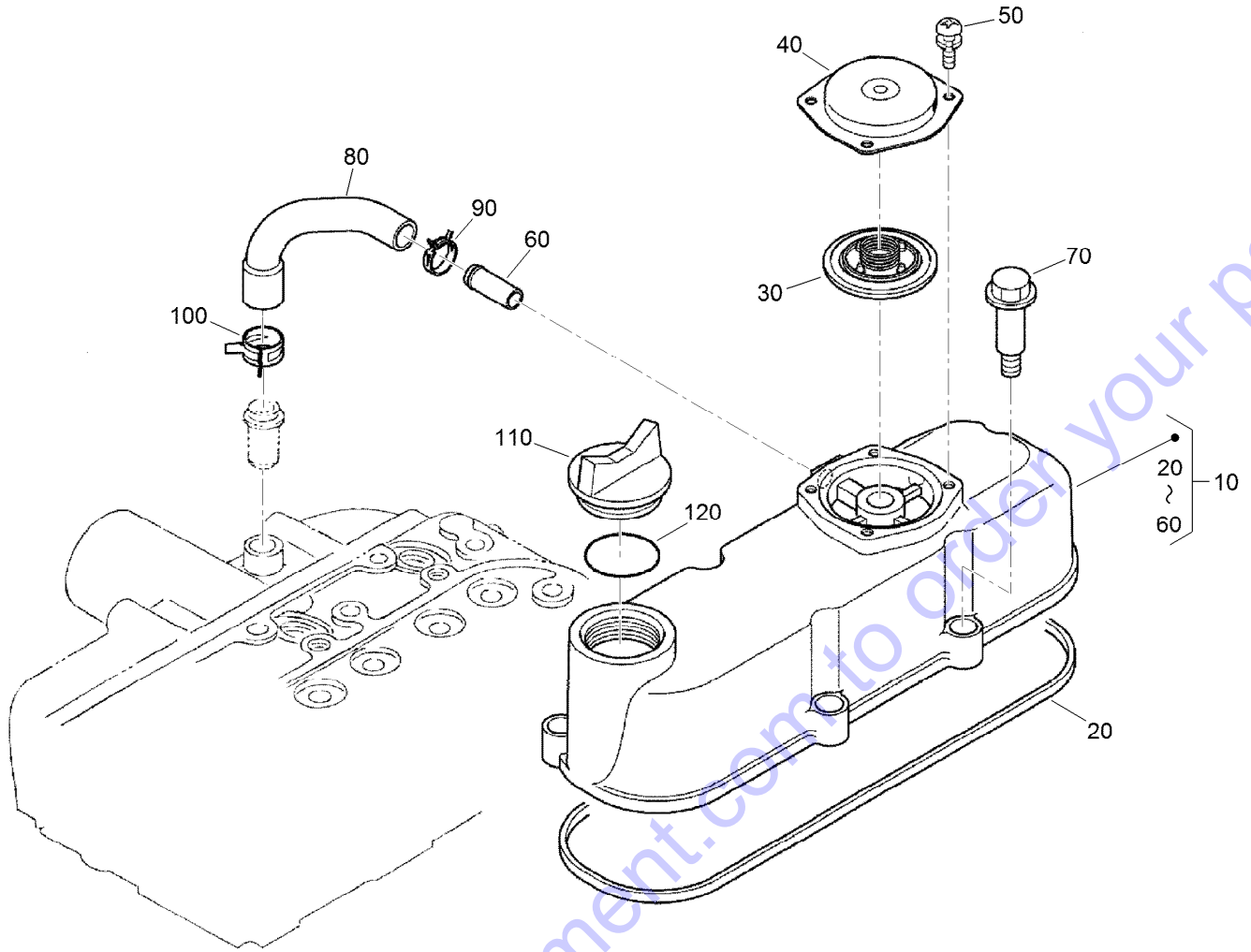
Ref.	Part Number	Qty.	Description
10	130-1231	1	Hook-Engine
20	98-9478	1	Hook-Engine
30	AU126123A1	2	Bolt
40	117-8802	1	Cylinder Head ASM
50	105-3705	1	Cap-Sealing
60	98-9687	2	Plug
70	107-9066	3	Guide-Valve, Inlet
80	107-9067	3	Guide-Valve, Exhaust
90	98-9389	2	Cap-Sealing
100	98-9479	14	Bolt-Head, Cylinder
110	108-6573	1	Gasket-Head, Cylinder
120	98-9444	1	Plug



Gear Case Assembly

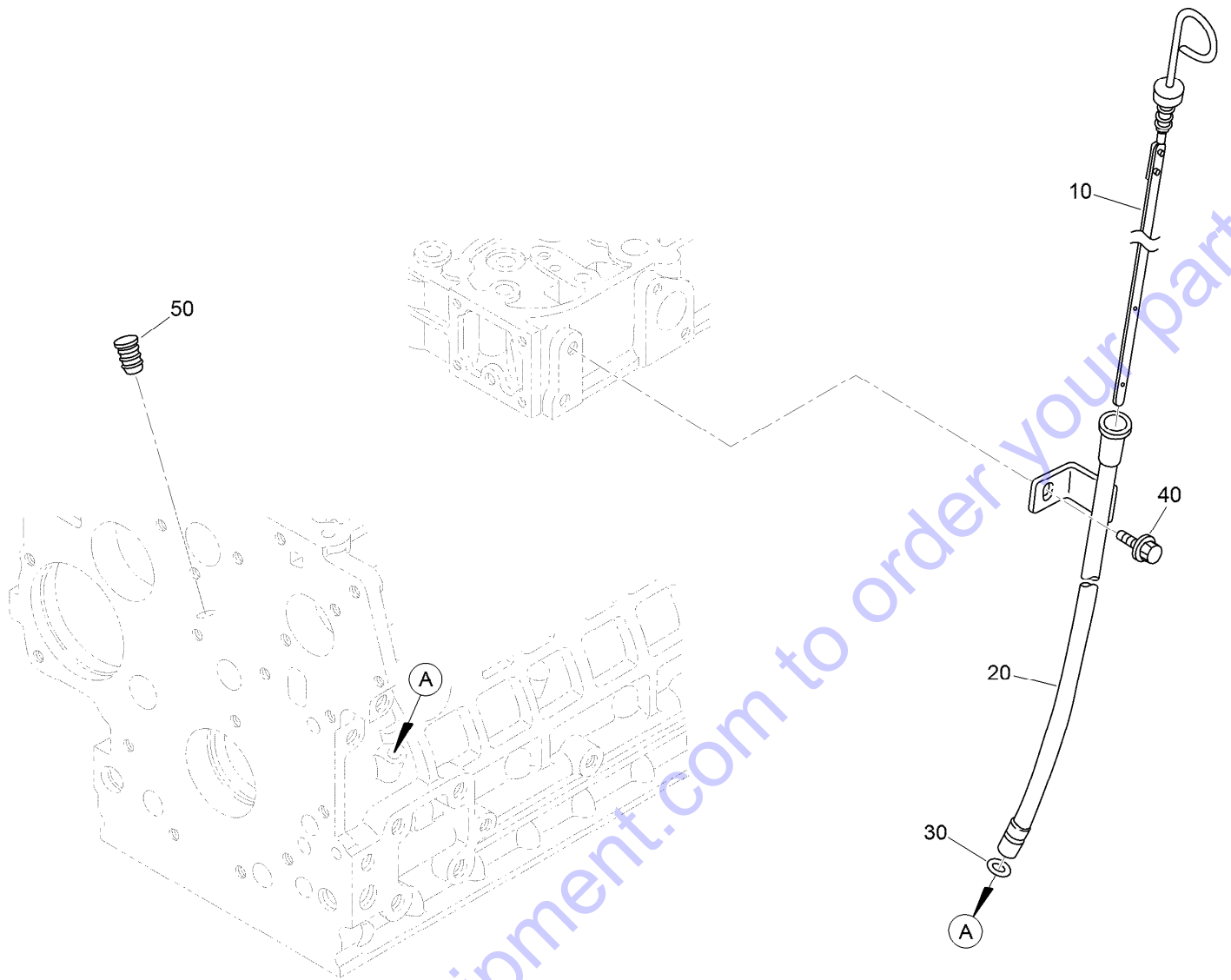
Ref.	Part Number	Qty.	Description
10	117-8803	1	Gear Case ASM
15	117-8804	1	Cap-Sealing
20	127-0425	2	Plug
25	98-7487	1	Plug
50	130-1511	1	Spring
60	130-1510	1	Valve-Relief
70	130-1508	1	Rotor ASM
80	130-1509	1	Cover-Pump, Oil
90	130-1164	5	Screw-Binding
110	117-8835	1	Gasket-Case, Gear
120	100-1765	3	Bolt

Ref.	Part Number	Qty.	Description
130	125-9063	4	Bolt-Sems
140	98-9356	2	Bolt
150	100-1766	2	Bolt
160	107-9090	4	Bolt
170	105-3709	1	Stud
180	100-2203	1	Nut-Flange
185	105-3710	2	Stud
190	119-8038	1	Seal-Oil
200	99-3515	1	Plug-Gearcase
210	107-9075	1	Plug-Filler, Oil
220	99-3446	1	O-Ring



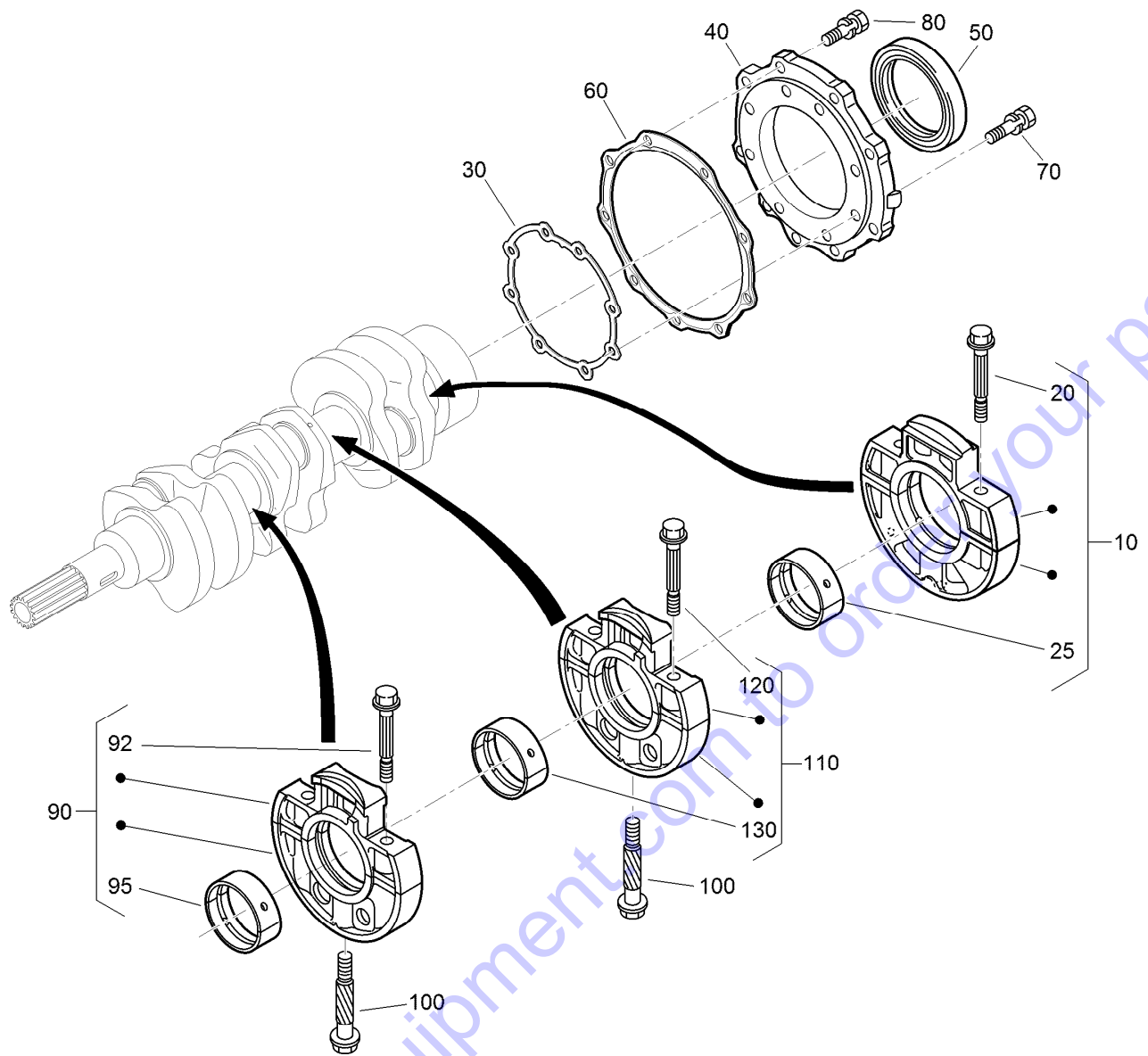
Cylinder Head Cover Assembly

Ref.	Part Number	Qty.	Description
10	117-8805	1	Cylinder Head Cover ASM
20	117-8806	1	Gasket-Cover, Head
30	110-3715	1	Valve-Breather
40	110-3714	1	Cover-Breather
50	98-9364	4	Screw (With Washer)
60	98-7766	1	Pipe-Return, Water
70	108-7063	5	Bolt
80	108-2858	1	Tube-Breather
90	108-2859	1	Clamp-Hose
100	108-2860	1	Clamp-Hose
110	107-9075	1	Plug-Filler, Oil
120	99-3446	1	O-Ring



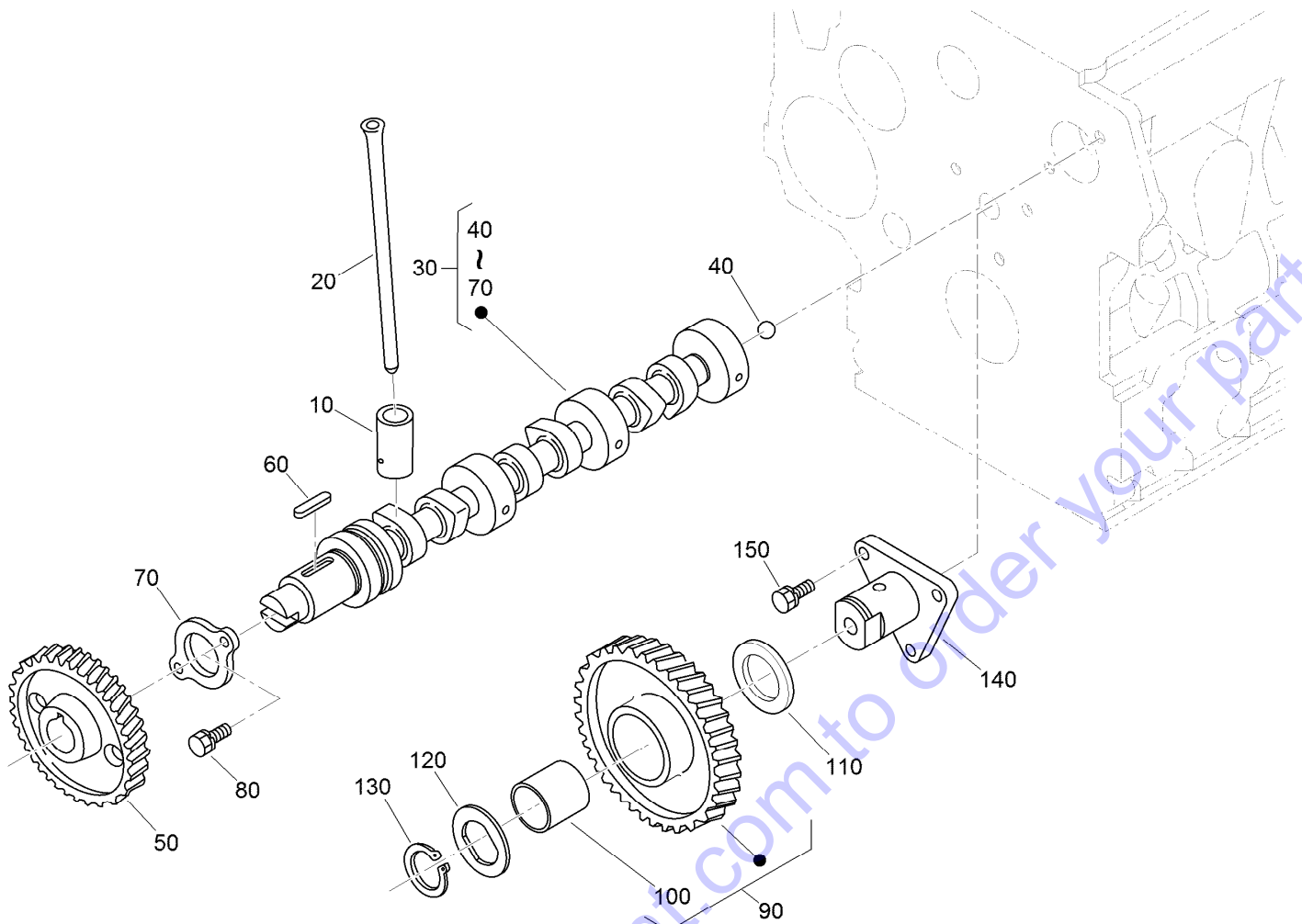
Dipstick and Guide Assembly

Ref.	Part Number	Qty.	Description
10	132-4941	1	Gauge-Oil
20	132-4942	1	Guide-Gauge, Oil
30	98-9722	1	O-Ring
40	AU126123A1	1	Bolt
50	110-3720	1	Plug-Gauge, Oil



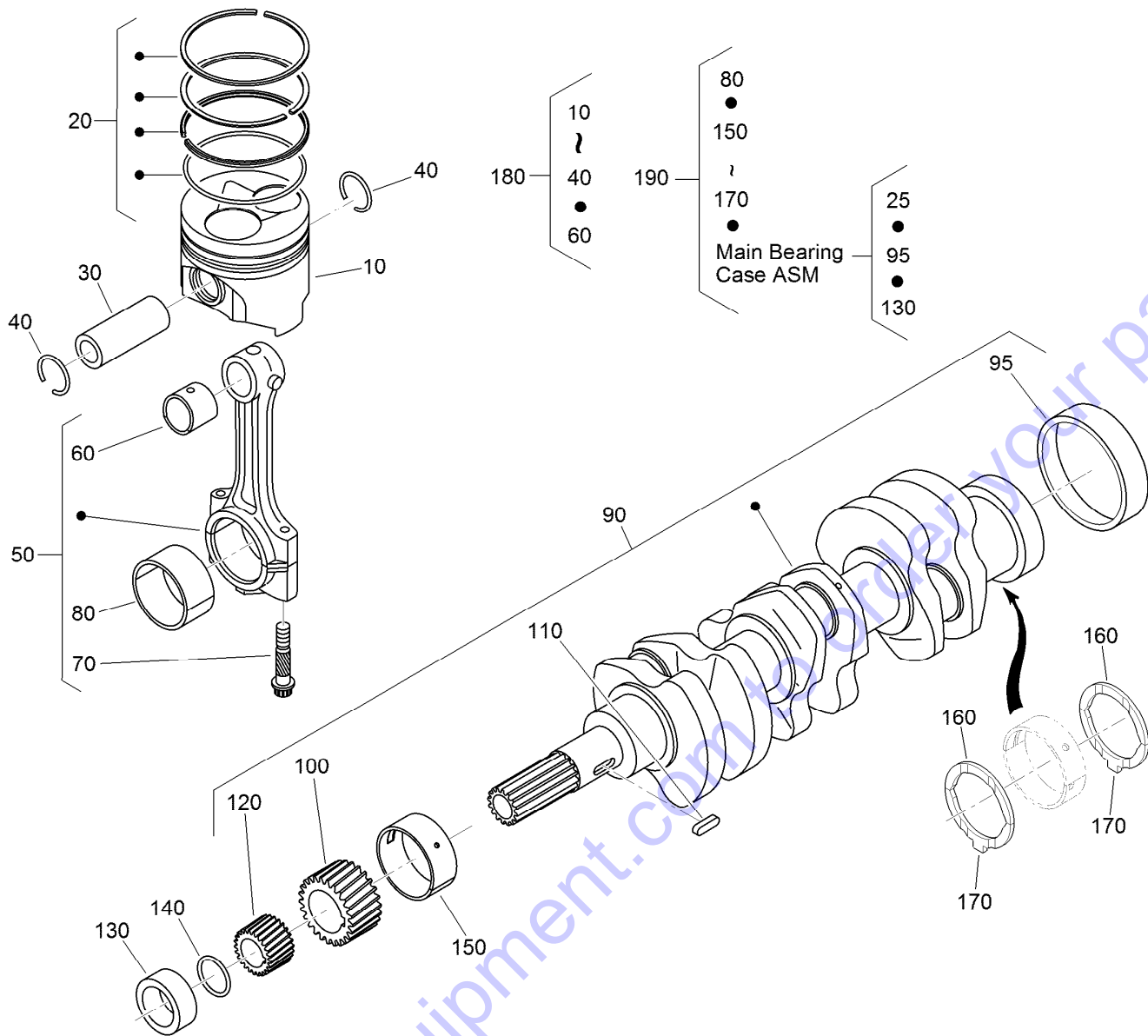
Main Bearing Case Assembly

Ref.	Part Number	Qty.	Description	Ref.	Part Number	Qty.	Description
10	112-7026	1	Wheel Bearing Case ASM	90	117-8809	1	Main Bearing Case ASM
20	98-9484	2	Bolt-Case, Bearing	92	98-9484	2	Bolt-Case, Bearing
25	115-4121	1	Metal-Crankshaft (STD)	95	117-8810	1	Metal-Crankshaft
25	112-7039	1	Metal-Crankshaft (0.2Mm)	95	117-8811	1	Metal-Crankshaft
25	112-7040	1	Metal-Crankshaft (-0.4Mm)	95	117-8812	1	Metal-Crankshaft
30	131-6554	1	Gasket-Case, Bearing	100	98-9485	2	Bolt-Case, Bearing
40	112-7046	1	Cover-Case, Bearing	110	117-8813	1	Main Bearing Case ASM
50	112-0180	1	Seal-Oil	120	98-9484	2	Bolt-Case, Bearing
60	112-7037	1	Gasket-Cover, Case	130	117-8810	1	Metal-Crankshaft
70	127-0441	8	Bolt	130	117-8811	1	Metal-Crankshaft
80	127-0442	9	Bolt	130	117-8812	1	Metal-Crankshaft



Camshaft and Idle Gear Shaft Assembly

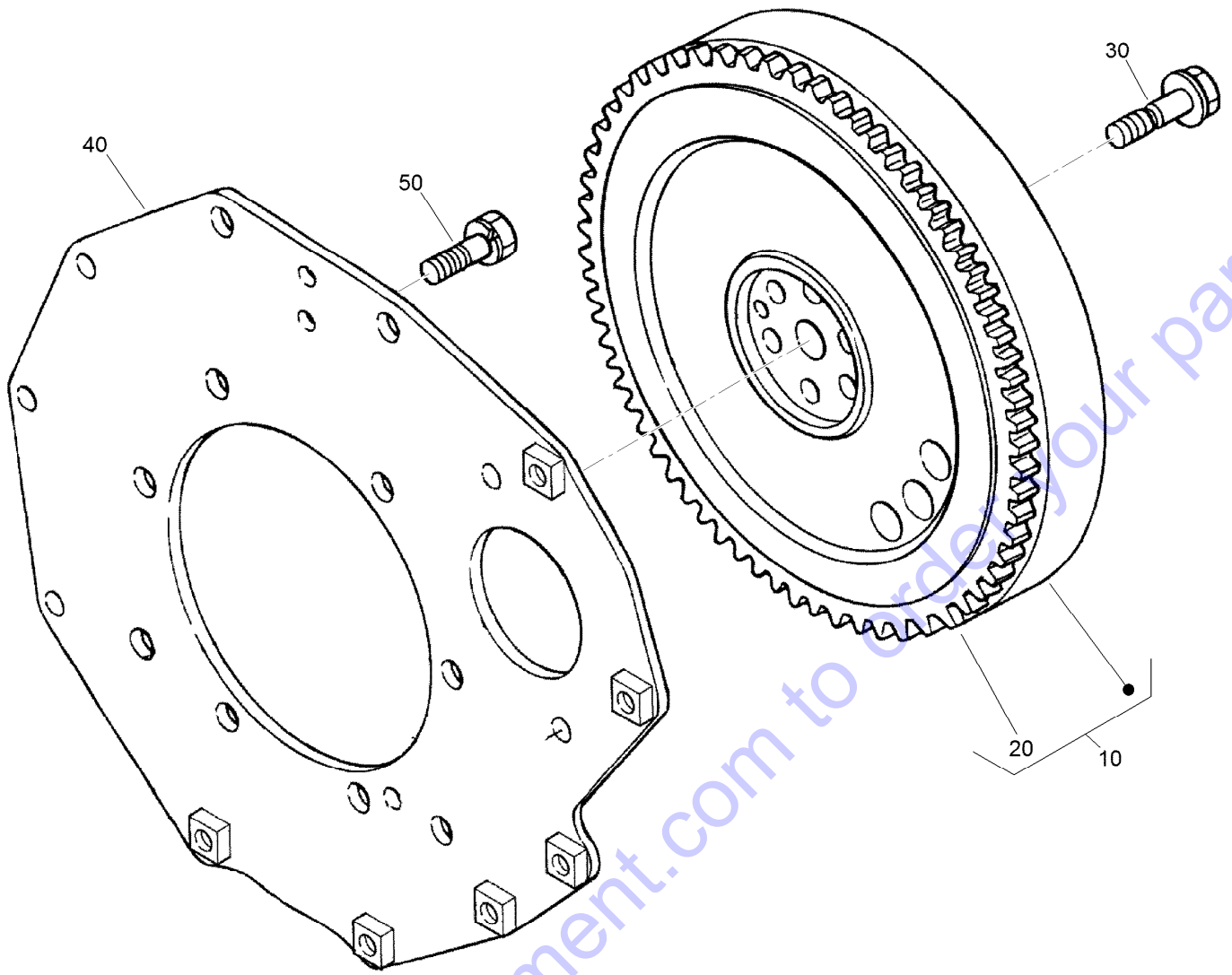
Ref.	Part Number	Qty.	Description
10	112-0185	6	Tappet
20	117-8814	6	Rod-Push
30	130-1545	1	Camshaft ASM
40	110-3729	1	Ball
50	120-3116	1	Camshaft ASM
60	98-9378	1	Key-Feather
70	131-6555	1	Stopper (Camshaft)
80	98-7692	2	Bolt
90	117-7584	1	Idler Gear ASM
100	117-7585	1	Bushing-Gear, Idle
110	98-9535	1	Collar-Gear, Idle
120	98-9536	1	Collar-Gear, Idle
130	98-9534	1	Circlip-Gear, Idle
140	98-9533	1	Shaft-Gear, Idle
150	98-7692	3	Bolt



Piston and Crankshaft Assembly

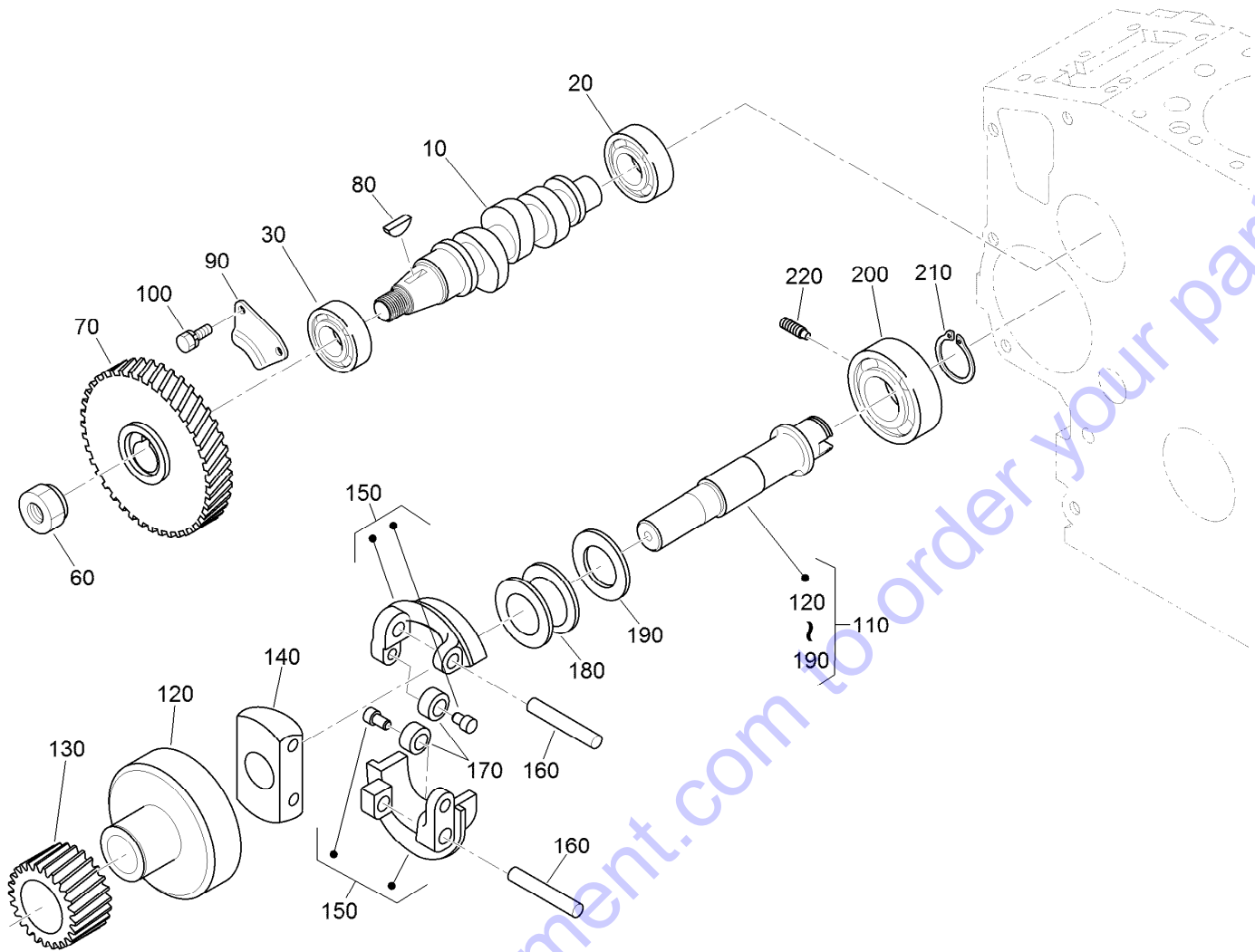
Ref.	Part Number	Qty.	Description
10	130-1546	3	Piston (STD)
10	130-1549	3	Piston (+0.50MM)
20	130-1506	3	Piston Ring ASM (STD)
20	130-1507	3	Piston Ring ASM (+0.50MM)
30	98-9513	3	Pin-Piston
40	98-9514	6	Circlip-Pin, Piston
50	117-7586	3	Connecting Rod ASM
60	115-3014	3	Bushing-Pin, Piston
70	98-9517	6	Bolt-Rod, Connecting
80	98-9553	3	Bearing-Rod (STD)
80	98-9519	3	Bearing-Rod (-0.2MM)
80	117-7588	3	Metal-Crankpin (-0.4MM)
90	132-4944	1	Crankshaft ASM
95	98-9522	1	Sleeve-Crankshaft
100	117-7561	1	Gear-Crankshaft
110	98-9666	1	Key
120	127-0445	1	Gear-Drive, Oil Pump

Ref.	Part Number	Qty.	Description
130	127-0444	1	Collar-Crankshaft
140	105-3783	1	O-Ring
150	117-8818	1	Metal-Crankshaft
150	117-8819	1	Metal-Crankshaft
150	117-8820	1	Metal-Crankshaft
160	98-9413	2	Bearing-Thrust (STD)
160	127-0416	2	Metal-Side (+0.2Mm)
160	127-0417	2	Metal-Side (+0.40Mm)
170	98-9688	2	Bearing-Thrust (STD)
170	127-0437	2	Metal-Side (+0.2MM)
170	127-0438	2	Metal-Side (+0.40MM)
180	130-1547	3	Piston Kit
180	130-1548	3	Piston Kit
190	117-8823	1	Engine Metal Kit
190	117-8824	1	Engine Metal Kit
190	117-8825	1	Engine Metal Kit



Flywheel Assembly

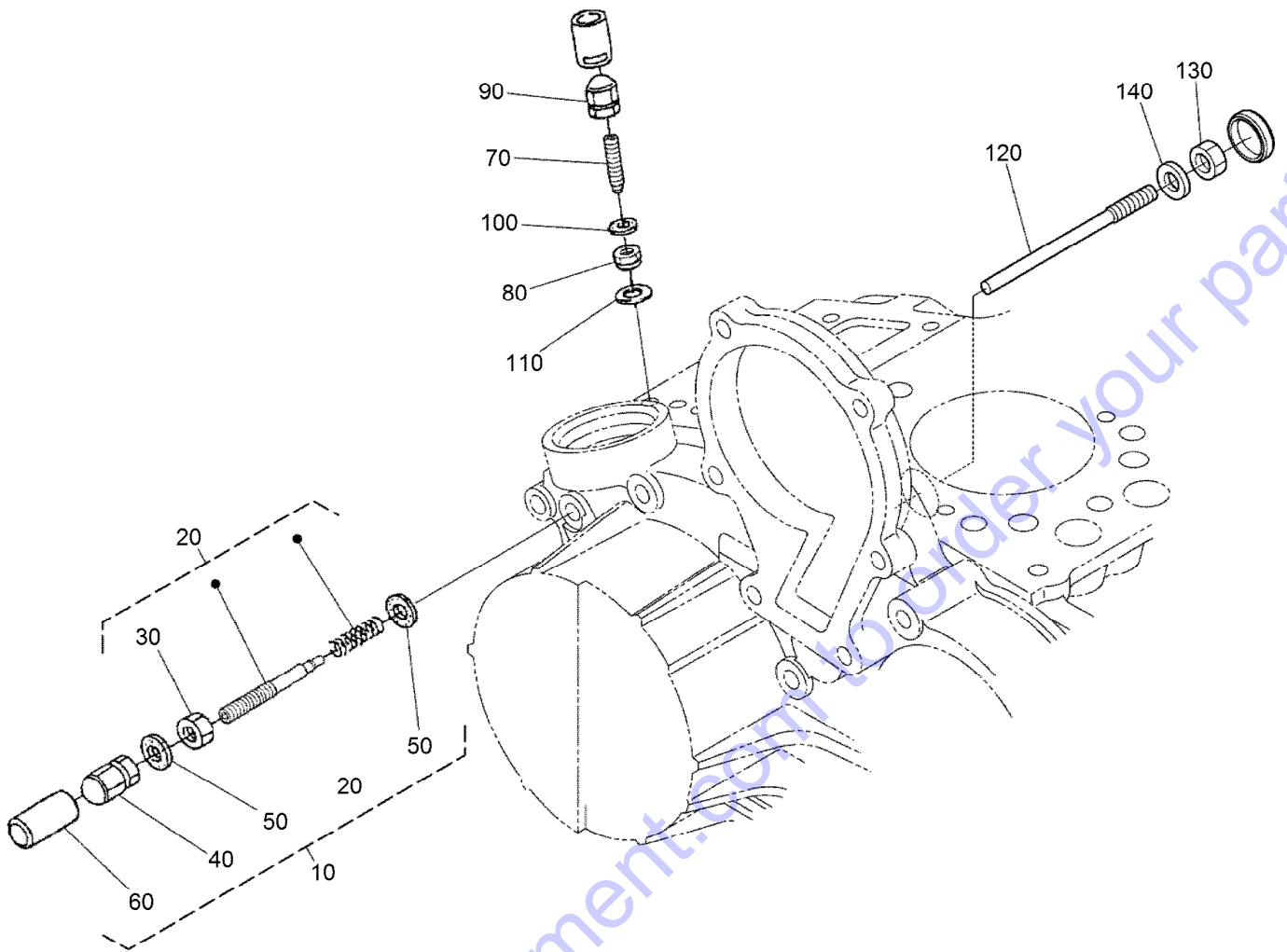
Ref.	Part Number	Qty.	Description
10	117-8826	1	Flywheel ASM
20	105-3722	1	Gear-Ring
30	98-9537	6	Bolt-Flywheel
40	98-9486	1	Plate-End, Rear
50	98-9392	8	Bolt



Fuel Camshaft and Governor Shaft Assembly

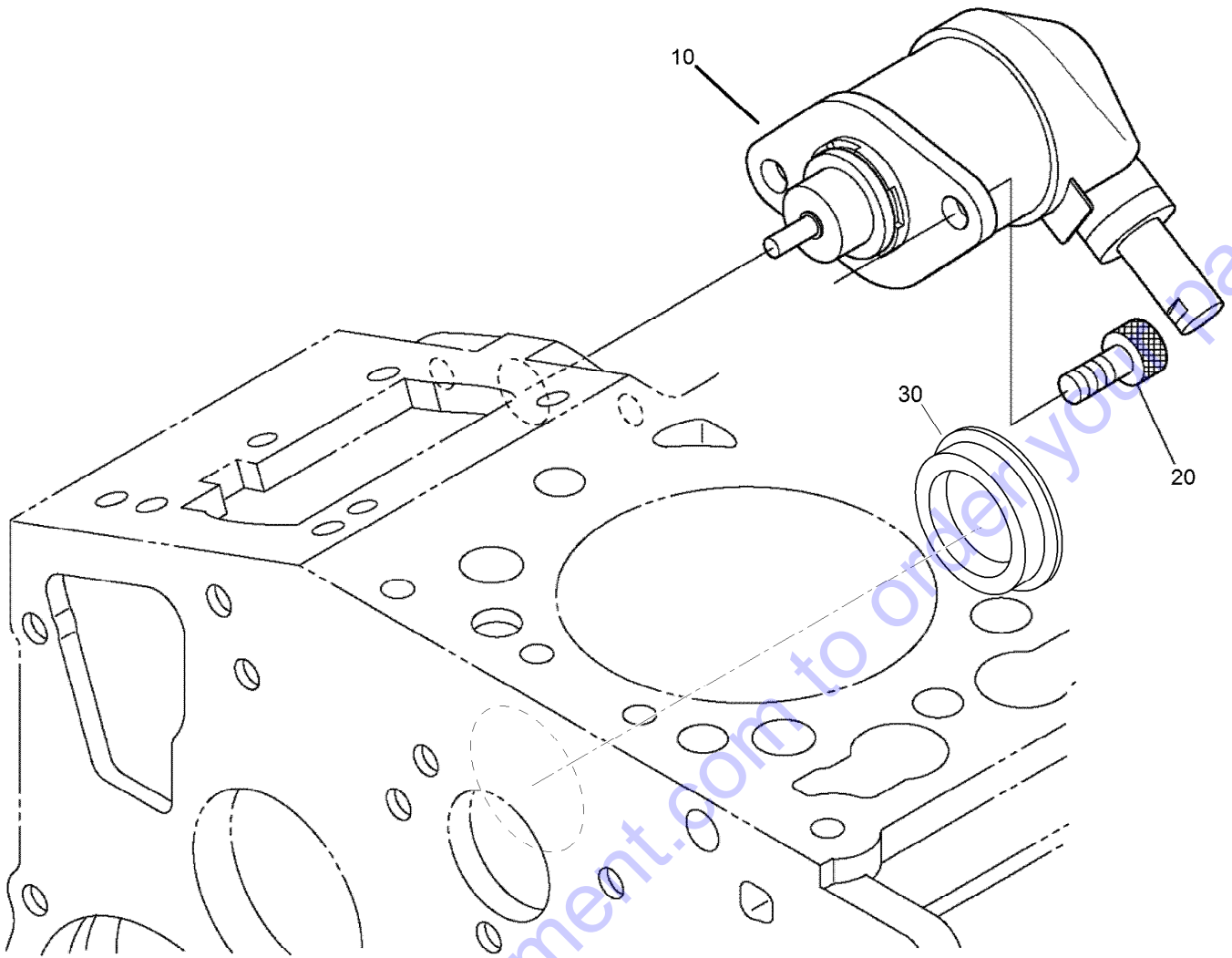
Ref.	Part Number	Qty.	Description
10	98-9459	1	Camshaft-Fuel
20	107-9077	1	Bearing-Ball
30	107-9078	1	Bearing-Ball
60	130-1512	1	Nut
70	130-1378	1	Gear-Injection Pump
80	98-9595	1	Key-Woodruff
90	98-9511	1	Stopper-Fuel, Camshaft
100	98-7692	2	Bolt
110	98-9644	1	Governor Shaft ASM
120	98-9562	1	Holder-Gear, Governor

Ref.	Part Number	Qty.	Description
130	98-9673	1	Gear-Governor
140	98-9561	1	Holder-Weight, Governor
150	98-9559	2	Governor Weight ASM
160	98-9560	2	Shaft-Weight, Governor
170	98-9692	2	Roller
180	98-9563	1	Sleeve-Governor
190	98-9564	1	Washer-Thrust
200	107-9079	1	Bearing-Ball
210	98-9657	1	Circlip-Shaft, Governor
220	98-9565	1	Screw-Set



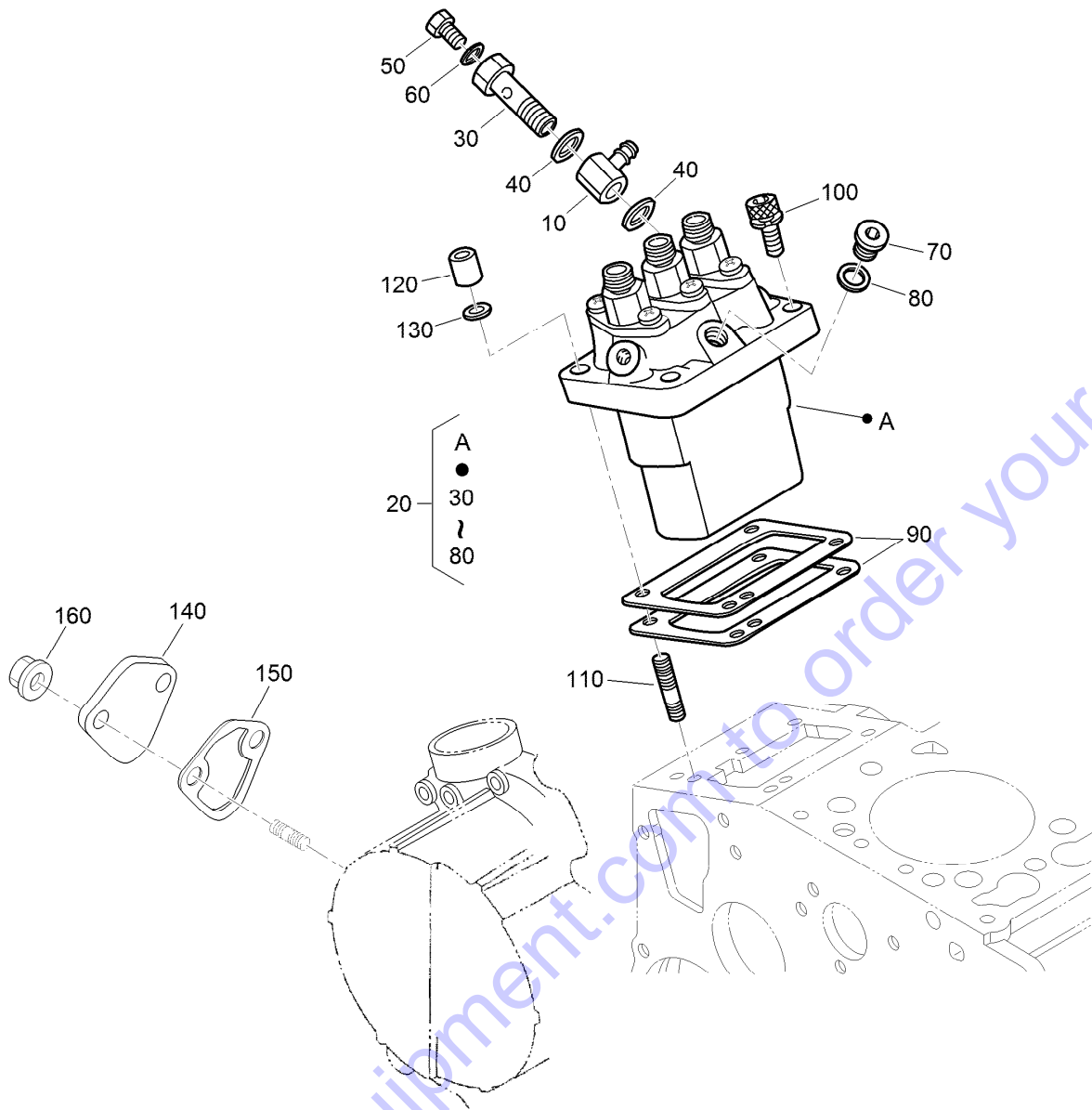
Idle Apparatus Assembly

Ref.	Part Number	Qty.	Description
10	132-4937	1	Apparatus-Idling
20	132-4938	1	Adjustment Bolt ASM
30	98-9439	1	Nut
40	112-0181	1	Nut
50	98-7654	2	Gasket
60	98-7656	1	Cap
70	112-7015	1	Bolt-Adjusting
80	100-2175	1	Nut-Lock
90	112-0181	1	Nut
100	98-7654	2	Gasket
110	107-9081	1	Gasket
120	131-6556	1	Bolt
130	98-7572	1	Nut
140	98-7654	1	Gasket



Stop Solenoid Assembly

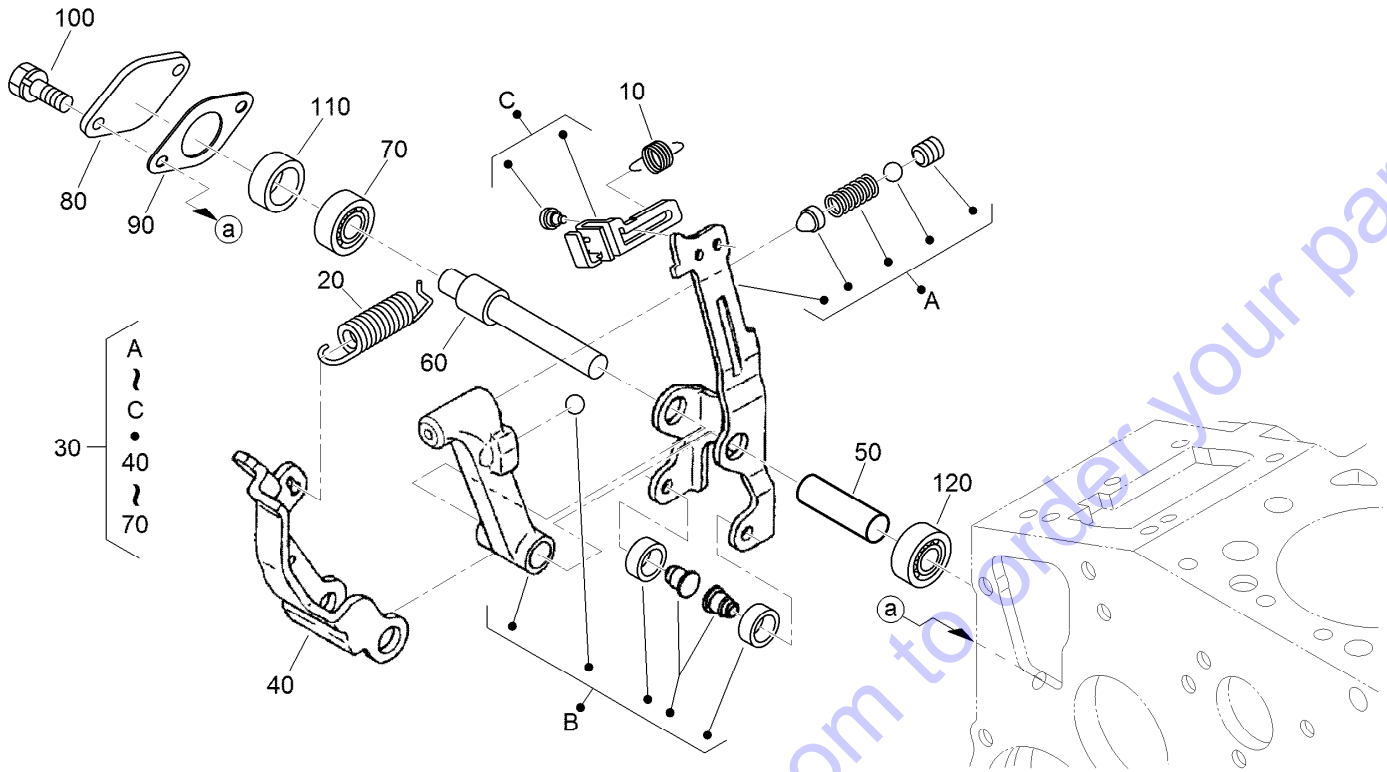
Ref.	Part Number	Qty.	Description
10	104-5155	1	Solenoid-Stop
20	130-1155	2	Screw-HSH
30	112-7016	1	Cover-Pump



Injection Pump Assembly

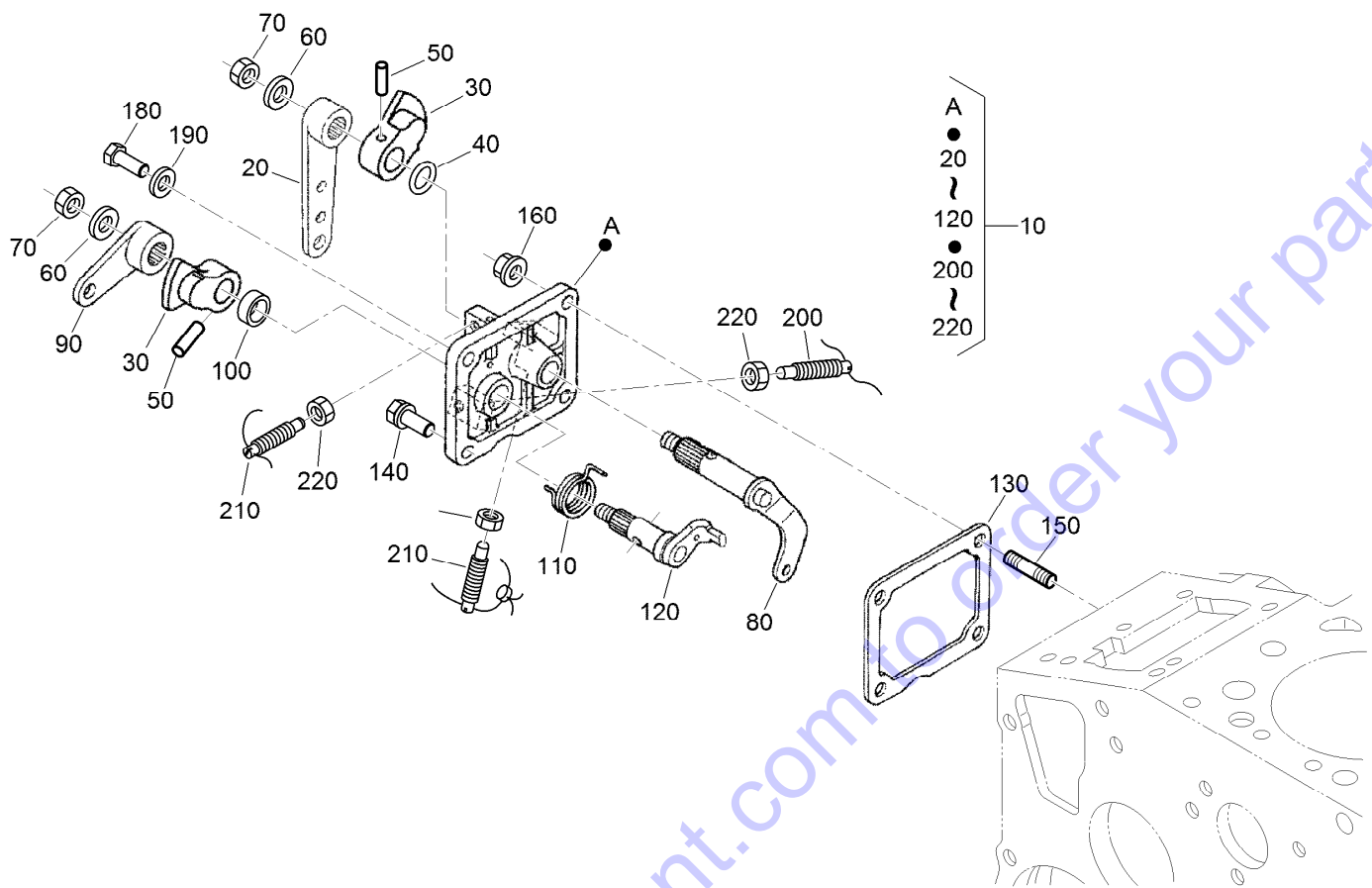
Ref.	Part Number	Qty.	Description
10	98-9596	1	Joint-Eye
20	98-9643	1	Injection Pump ASM
30	98-9464	1	Bolt-Joint
40	98-9445	2	Gasket
50	98-9430	1	Screw
60	98-9446	1	Gasket
70	98-9466	1	Plug
80	98-9451	1	Gasket
90	98-9456	1	Shim-Injection (0.20MM)
90	98-9457	1	Shim-Injection (0.25MM)

Ref.	Part Number	Qty.	Description
90	98-9458	1	Shim-Injection (0.30MM)
90	115-3046	1	Shim-Injection (0.35MM)
90	115-3045	1	Shim-Injection (0.175MM)
100	117-7564	2	Bolt-Hex Soc HD
110	98-9438	2	Stud
120	98-9440	2	Nut-Cap
130	98-7699	2	Washer-Spring
140	99-3514	1	Cover
150	117-7562	1	Gasket-Pump, Fuel
160	100-2203	2	Nut-Flange



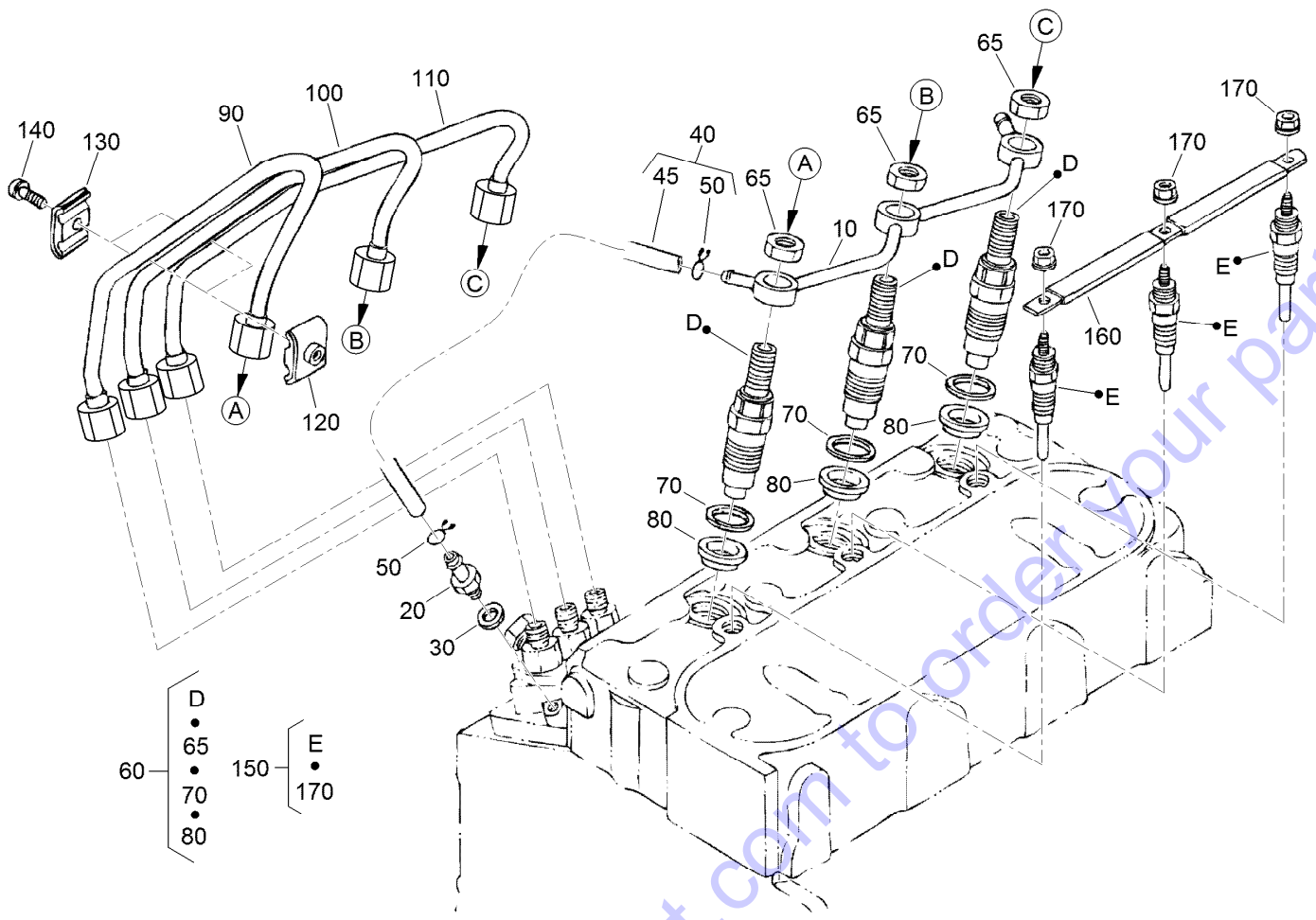
Governor Assembly

Ref.	Part Number	Qty.	Description
10	105-3786	1	Spring-Start
20	107-7839	1	Spring-Governor
30	115-4502	1	Fork Lever ASM
40	107-9084	1	Lever-Fork
50	107-9085	1	Shaft-Lever, Fork
60	107-9086	1	Shaft-Lever, Fork
70	98-9570	1	Bearing-Miniaturize
80	115-4122	1	Cover-Shaft, Fork Lever
90	98-9682	1	Gasket
100	98-9350	2	Bolt
110	98-9567	1	Collar
120	98-9571	1	Bearing-Miniaturize



Speed Control Plate Assembly

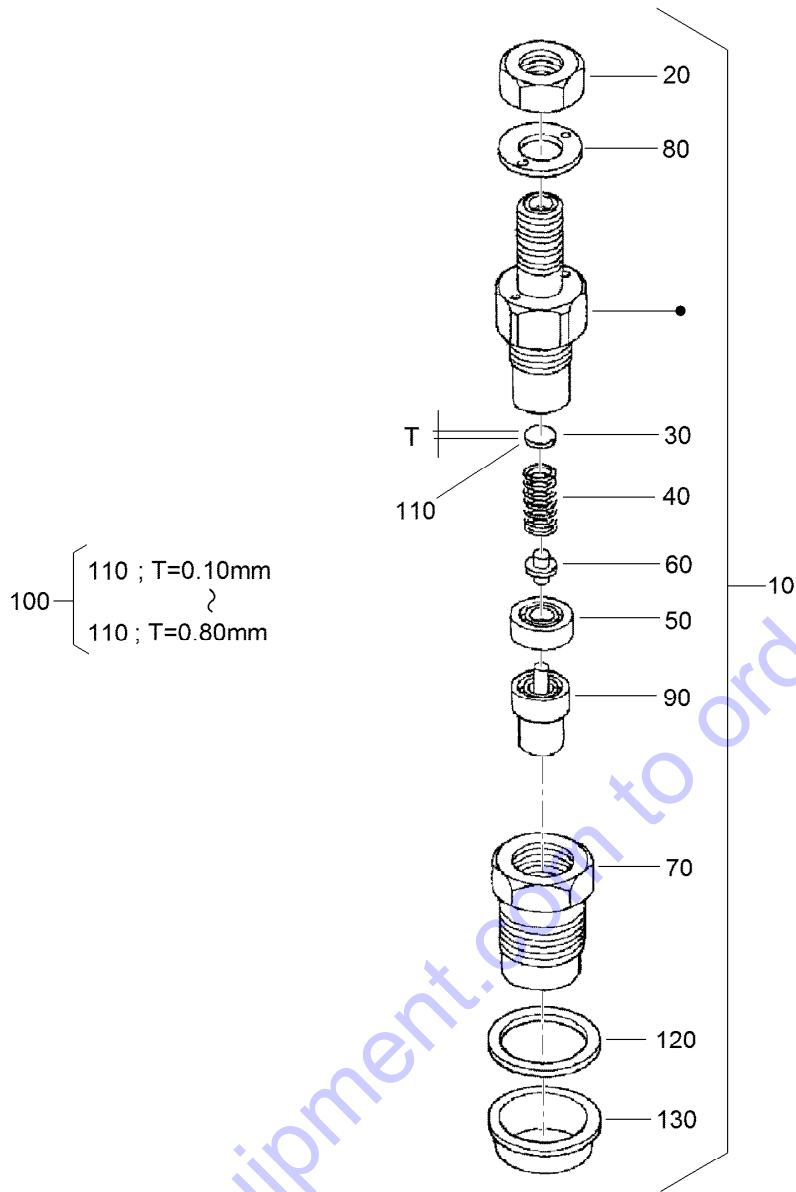
Ref.	Part Number	Qty.	Description	Ref.	Part Number	Qty.	Description
10	98-9661	1	Control Plate ASM	120	98-9664	1	Shaft-Lever, Stop
20	98-9662	1	Lever-Control, Speed	130	98-9637	1	Gasket
30	98-9572	2	Lever-Control, Speed	140	98-7692	1	Bolt
40	105-3788	1	O-Ring	150	105-3710	2	Stud
50	98-7602	2	Pin-Spring	160	100-2203	2	Nut-Flange
60	98-9594	2	Washer-Plain	180	127-0401	1	Bolt-Hex
70	98-9589	2	Nut	190	98-7654	1	Gasket
80	98-9658	1	Governor Lever ASM	200	117-7566	1	Bolt-Adjusting
90	98-9663	1	Lever-Stop, Engine	210	117-7565	2	Bolt-Adjusting
100	98-7601	1	Seal-Oil	220	98-7572	3	Nut
110	98-9472	1	Spring-Return				



Nozzle Holder and Glow Plug Assembly

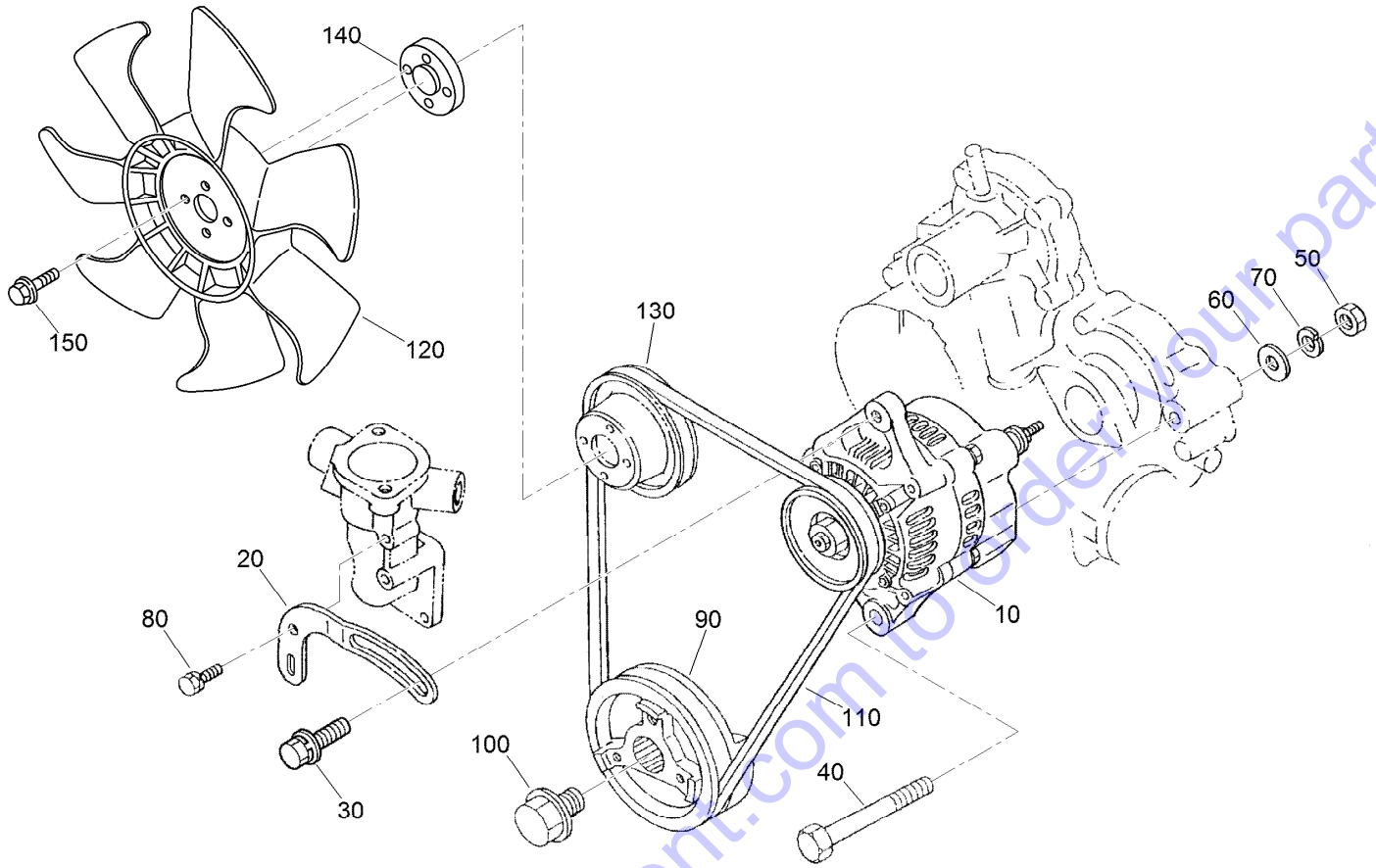
Ref.	Part Number	Qty.	Description
10	98-9620	1	Overflow Pipe ASM
20	98-9431	1	Screw-Bleeder, Air
30	98-7654	1	Gasket
40	98-9420	1	Overflow Pipe ASM
45	112-0182	1	Pipe-Overflow
50	98-7671	2	Clip-Pipe
60	115-3018	3	Nozzle Holder Kit
65	121-2411	3	Nut
70	98-7676	3	Gasket
80	98-7677	3	Seal-Heat

Ref.	Part Number	Qty.	Description
90	132-4945	1	Pipe Injection
100	132-4946	1	Pipe Injection
110	132-4947	1	Pipe Injection
120	98-7682	2	Clamp-Pipe
130	98-7683	2	Clamp-Pipe
140	98-7684	2	Screw (W/Washer)
150	130-1411	3	Plug-Glow
160	98-9631	1	Cord-Plug, Glow
170	99-8377	3	Nut-Flange



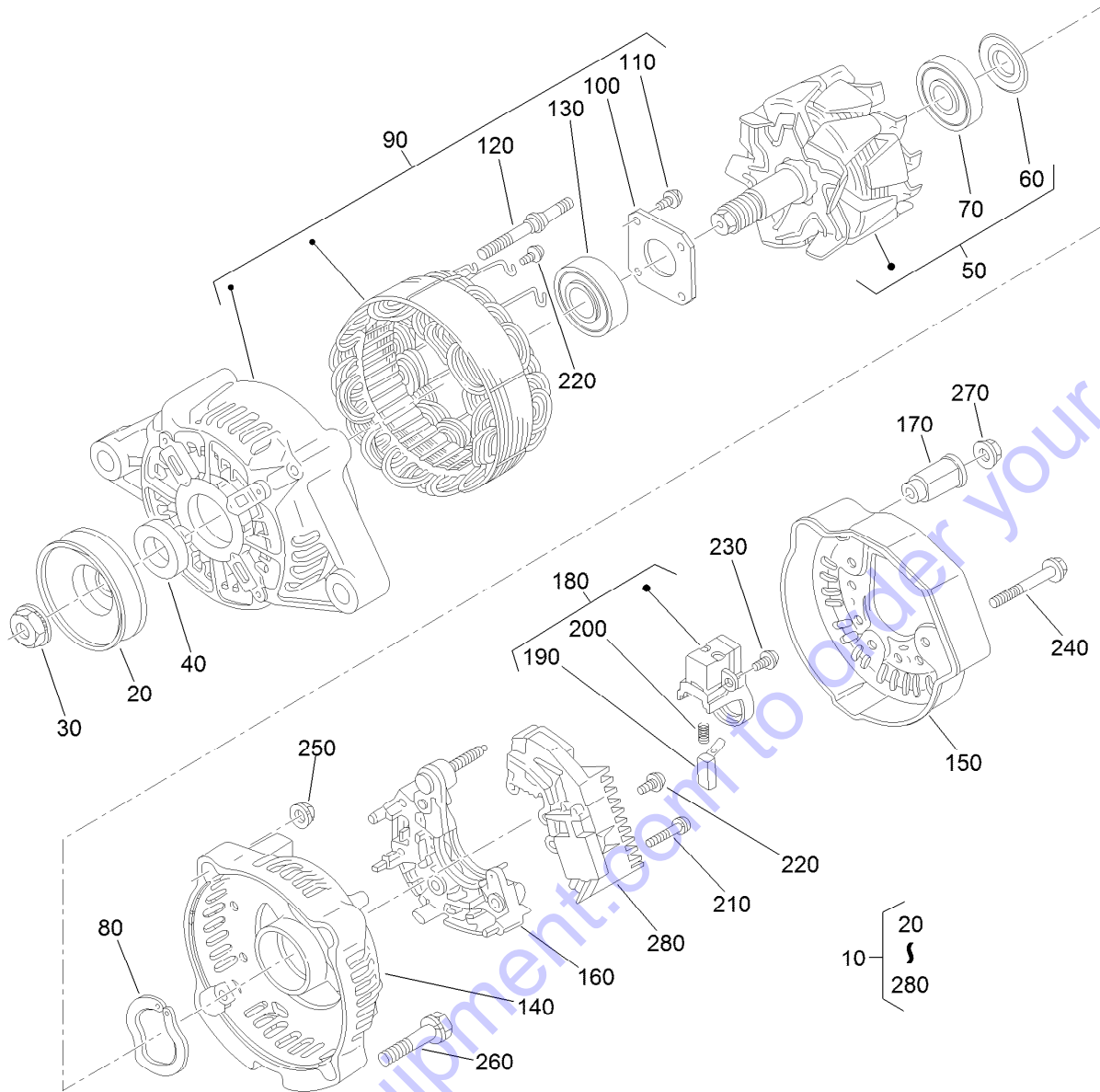
Nozzle Holder Assembly

Ref.	Part Number	Qty.	Description	Ref.	Part Number	Qty.	Description
10	115-3018	3	Nozzle Holder Kit	110	99-8311	3	Washer-Adjust (0.20MM)
20	121-2411	3	Nut	110	99-8312	3	Washer-Adjust (0.30MM)
30	99-8302	3	Washer-Adjusting	110	99-8313	3	Washer-Adjust (0.40MM)
40	99-8303	3	Spring-Nozzle	110	99-8314	3	Washer-Adjust (0.50MM)
50	99-8304	3	Spacer-Distance	110	99-8315	3	Washer-Adjust (0.52MM)
60	99-8305	3	Rod-Push	110	99-8316	3	Washer-Adjust (0.54MM)
70	99-8306	3	Nut-Nozzle	110	99-8317	3	Washer-Adjust (0.56MM)
80	99-8307	3	Washer-Plain	110	99-8318	3	Washer-Adjust (0.58MM)
90	115-3020	3	Piece-Nozzle	110	99-8319	3	Washer-Adjust (0.80MM)
100	99-8309	3	Adjusting Washer ASM	120	98-7676	3	Gasket
110	99-8310	3	Washer-Adjust (0.10MM)	130	98-7677	3	Seal-Heat



Alternator and Pulley Assembly

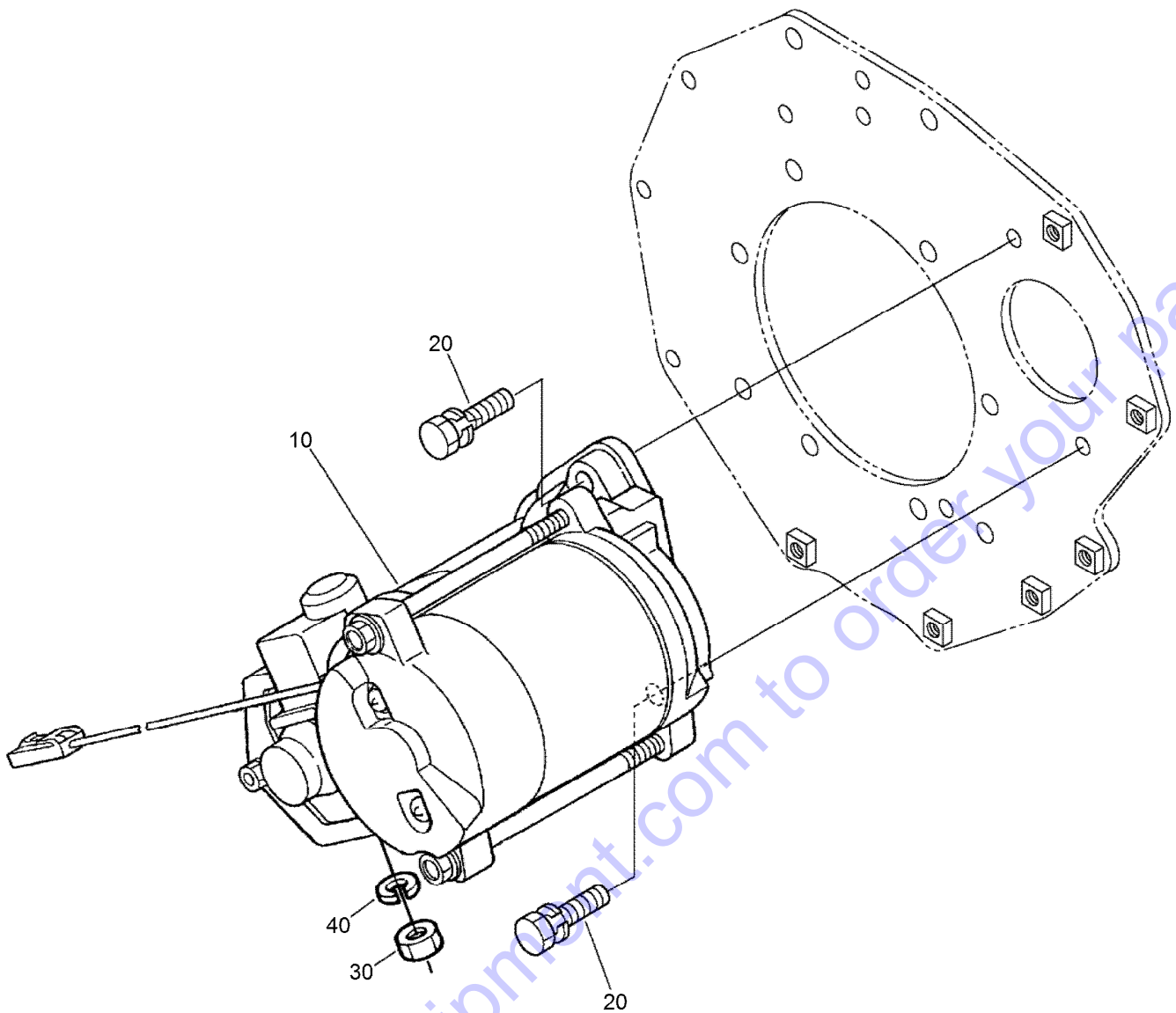
Ref.	Part Number	Qty.	Description
10	131-6557	1	Alternator ASM
20	112-7047	1	Stay-Dynamo
30	108-7088	1	Bolt
40	98-9360	1	Bolt
50	98-7737	1	Nut
60	98-9366	1	Washer-Plain
70	99-7527	1	Washer-Spring
80	98-7692	1	Bolt
90	117-8830	1	Pulley-Drive, Fan
100	98-9585	1	Bolt
110	98-9676	1	V-Belt
120	104-4246	1	Fan-Engine
130	98-9584	1	Pulley-Fan
140	104-4247	1	Spacer-Fan
150	108-2873	4	Bolt-Flange



Alternator Components Assembly

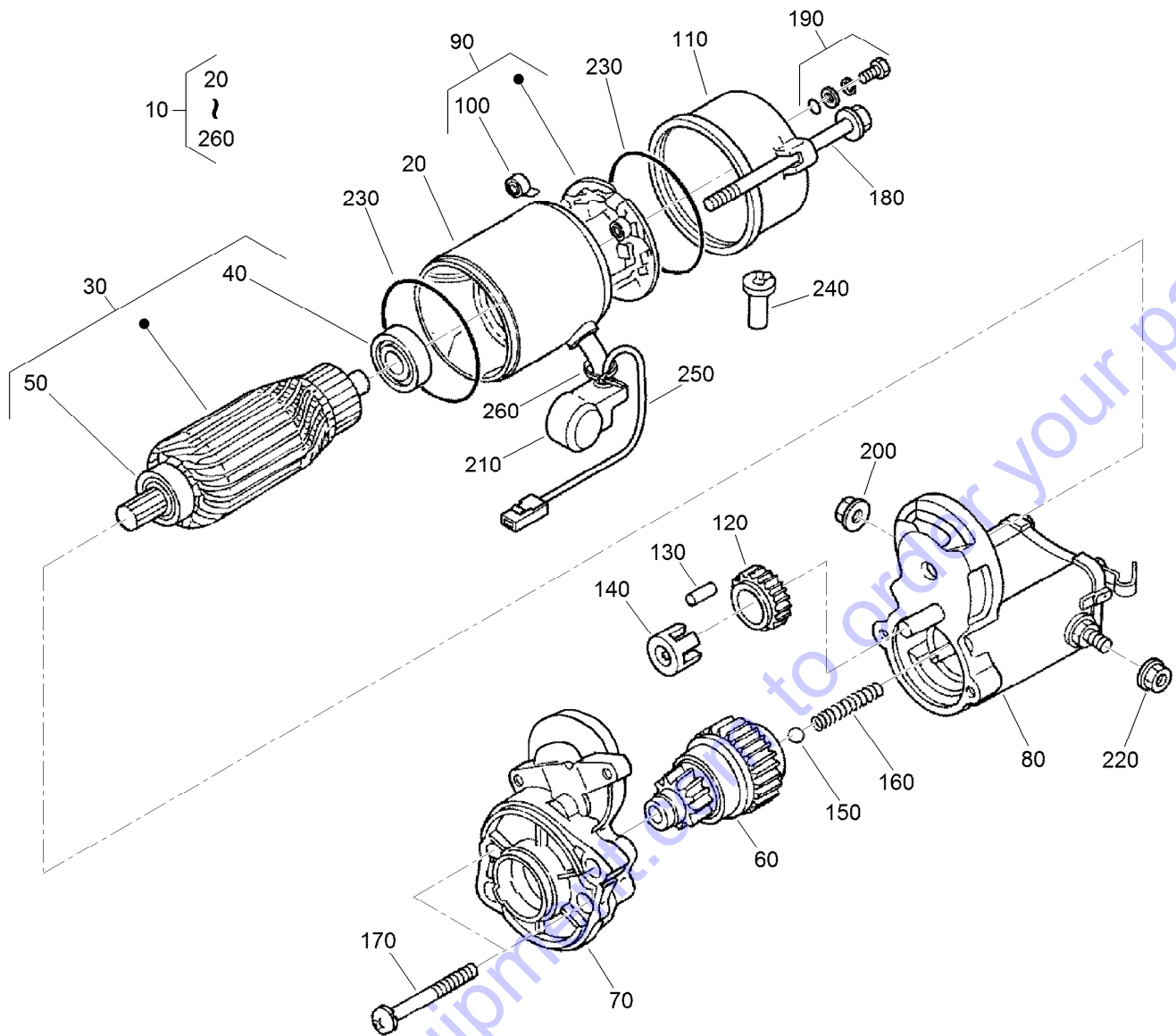
Ref.	Part Number	Qty.	Description
10	131-6557	1	Alternator ASM
20	98-9453	1	Pulley-Dynamo
30	98-7708	1	Nut
40	98-7709	1	Collar
50	107-0136	1	Rotor ASM
60	98-7711	1	Cover-Bearing
70	107-0138	1	Bearing-Ball
80	98-7713	1	Washer-Thrust
90	107-0139	1	Drive End Frame ASM
100	98-7715	1	Plate-Retainer
110	98-7716	4	Screw-Head, Round
120	98-7717	2	Bolt-Through
130	133-2811	1	Bearing
140	107-9087	1	Frame-End

Ref.	Part Number	Qty.	Description
150	107-0140	1	Cover-End
160	98-7721	1	Rectifier ASM
170	98-7722	1	Bushing-Insulation
180	107-0141	1	Brush Holder ASM
190	98-7724	2	Brush
200	98-7725	2	Spring-Brush
210	98-7726	2	Screw-Head, Round
220	98-7727	6	Screw-Head, Round
230	98-7728	1	Screw-Head, Round
240	98-7729	3	Bolt
250	98-7730	2	Nut
260	98-7731	2	Bolt
270	98-7732	1	Nut
280	110-3799	1	Regulator ASM



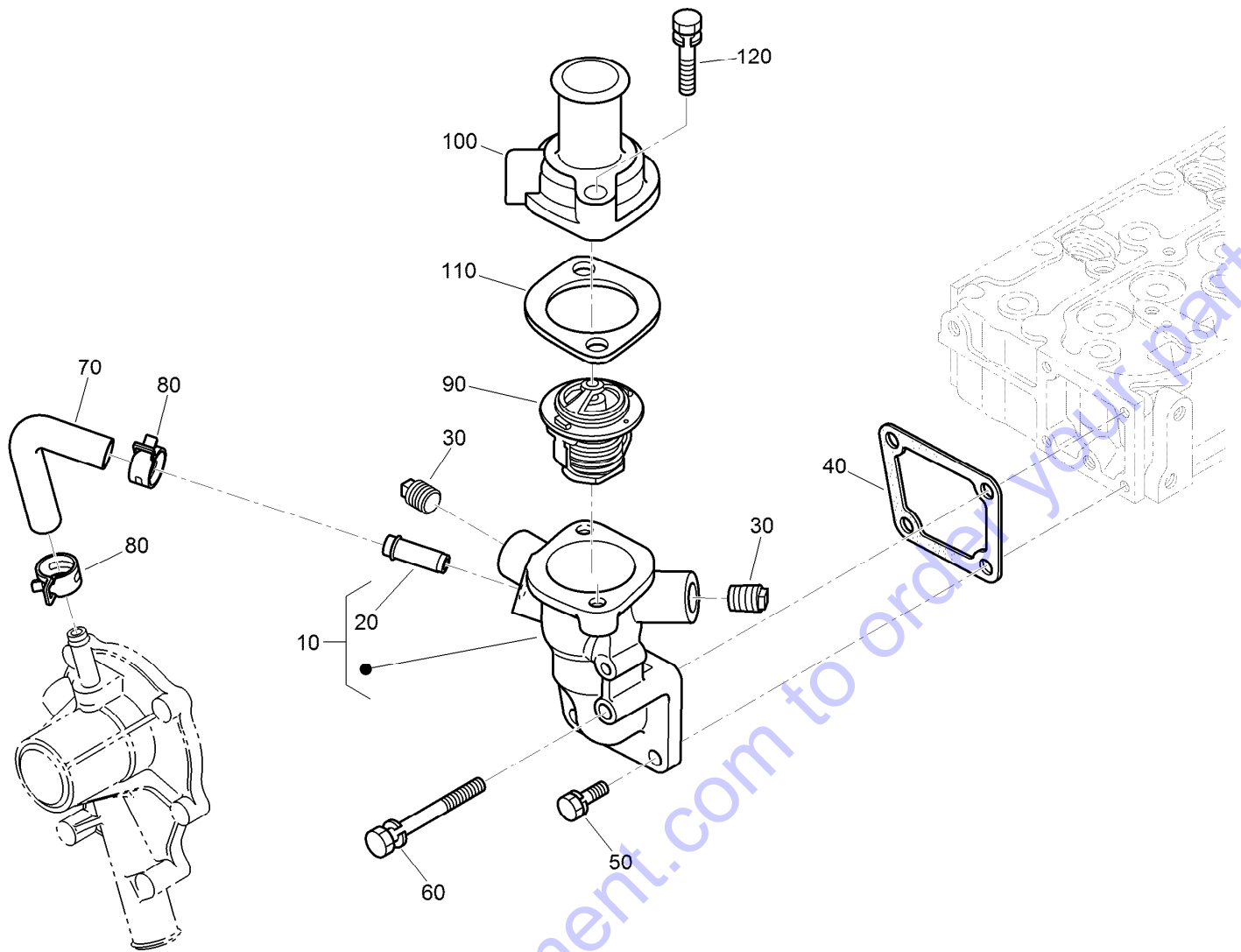
Starter Installation Assembly

Ref.	Part Number	Qty.	Description
10	132-4948	1	Starter
20	98-7697	2	Bolt
30	98-7739	1	Nut
40	105-2893	1	Washer-Spring



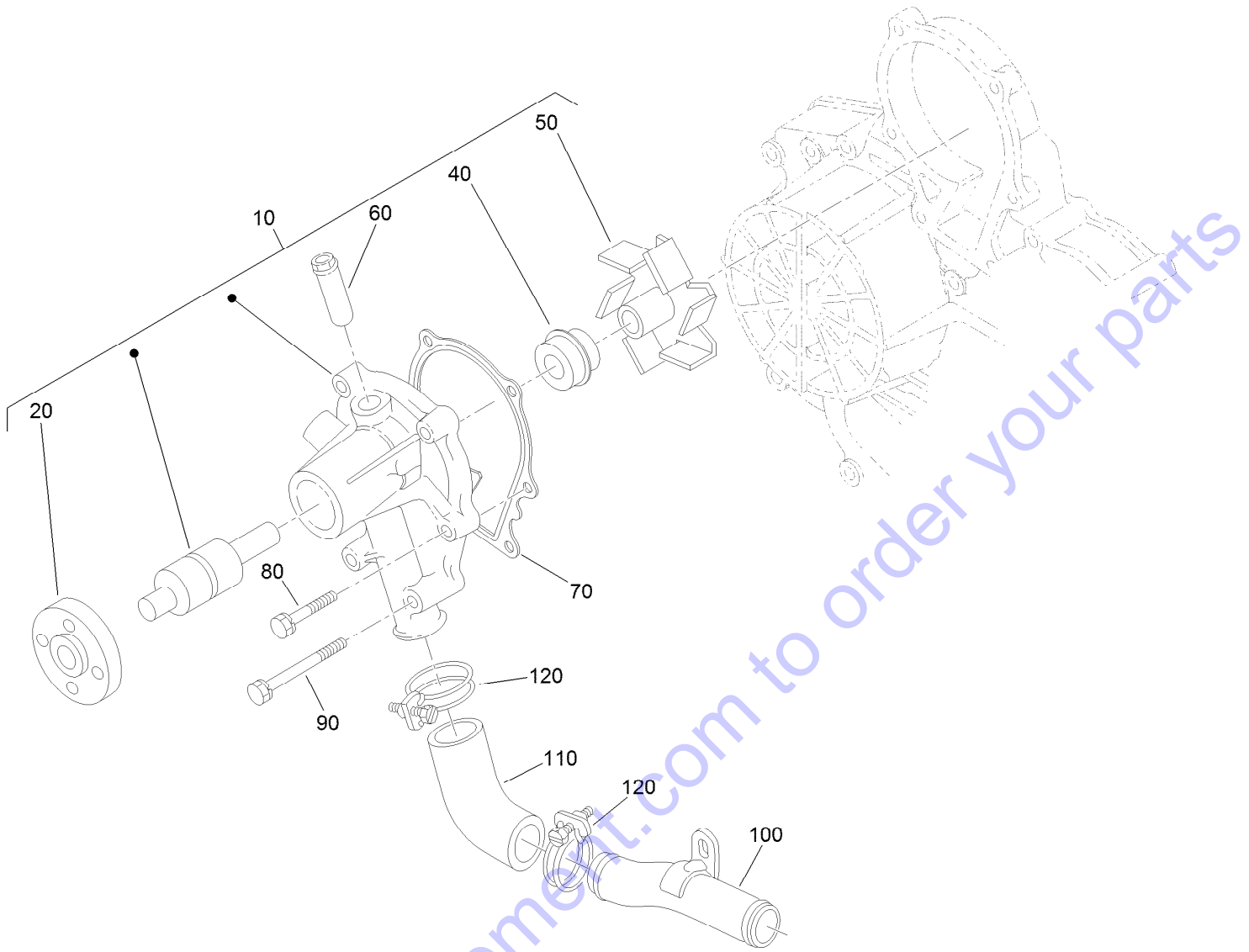
Starter Component Assembly

Ref.	Part Number	Qty.	Description	Ref.	Part Number	Qty.	Description
10	132-4948	1	Starter	140	98-7752	1	Retainer
20	132-4949	1	Yoke	150	98-7755	1	Ball
30	132-4930	1	Armature	160	98-7754	1	Spring
40	98-7743	1	Bearing	170	98-7756	2	Bolt
50	98-7744	1	Bearing	180	100-2210	2	Bolt-Through
60	132-4934	1	Clutch ASM	190	98-7758	2	Bolt ASM
70	132-4933	1	Housing ASM	200	99-8376	1	Nut-Hex
80	105-3746	1	Magnetic Switch ASM	210	99-8375	1	Cover
90	132-4932	1	Holder-Brush	220	99-8371	1	Nut-Hex
100	132-4931	4	Spring-Brush	230	98-7757	2	O-Ring
110	132-4935	1	Frame End ASM	240	98-7759	1	Pipe-Drain
120	98-7751	1	Gear	250	98-9711	1	Cord-Solenoid, Stop
130	98-7753	5	Roller	260	98-9712	1	Band-Cover



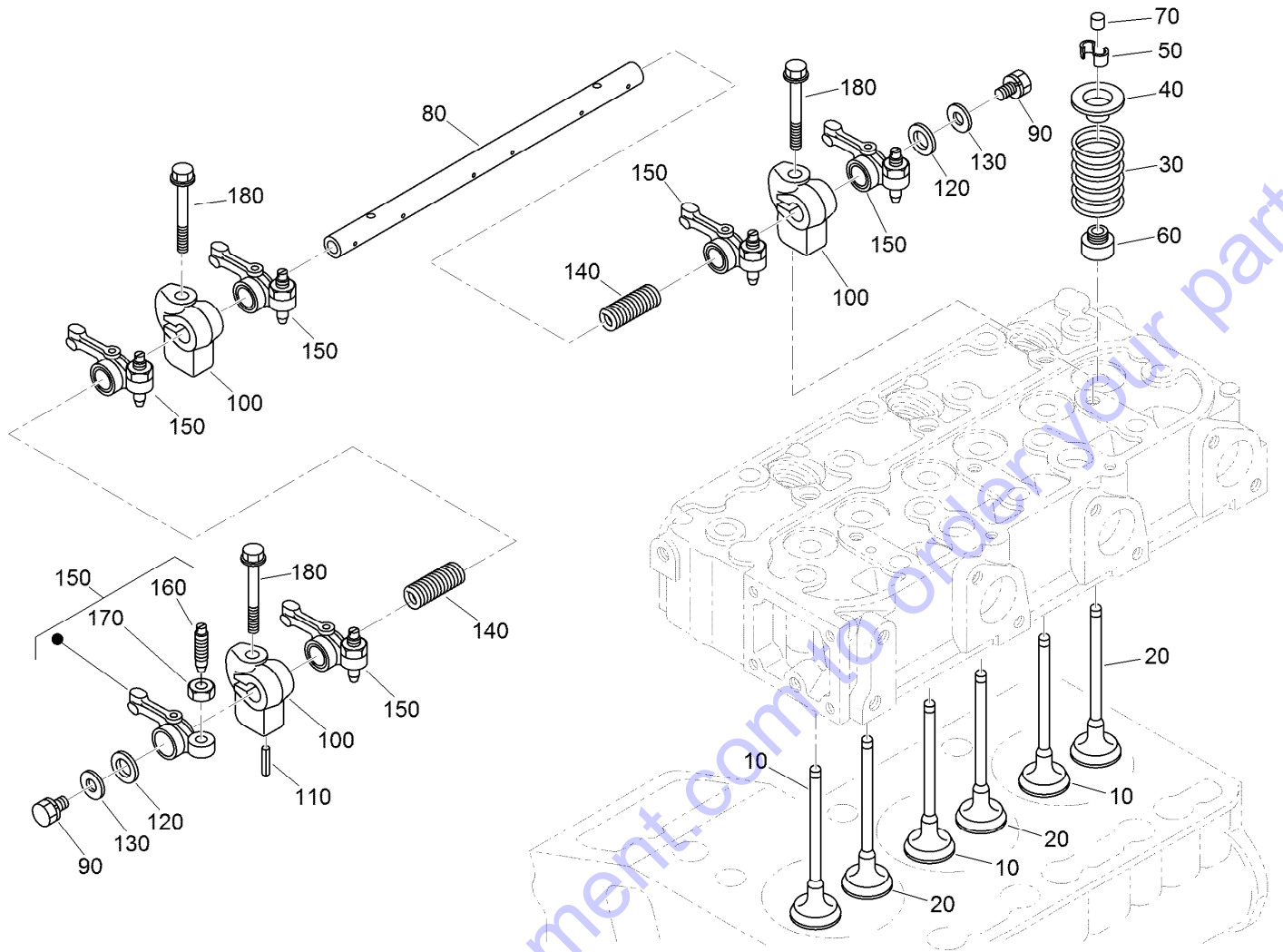
Water Flange and Thermostat Assembly

Ref.	Part Number	Qty.	Description
10	132-4943	1	Water Flange ASM
20	98-9580	1	Pipe-Return, Water
30	110-3821	2	Plug
40	98-9638	1	Gasket-Flange, Water
50	98-7692	3	Bolt
60	98-9356	1	Bolt
70	98-9578	1	Pipe-Return, Water
80	125-9078	2	Clamp-Hose
90	98-7778	1	Thermostat ASM
100	98-9471	1	Cover-Thermostat
110	105-3748	1	Gasket-Thermostat
120	98-7777	2	Bolt



Water Pump Assembly

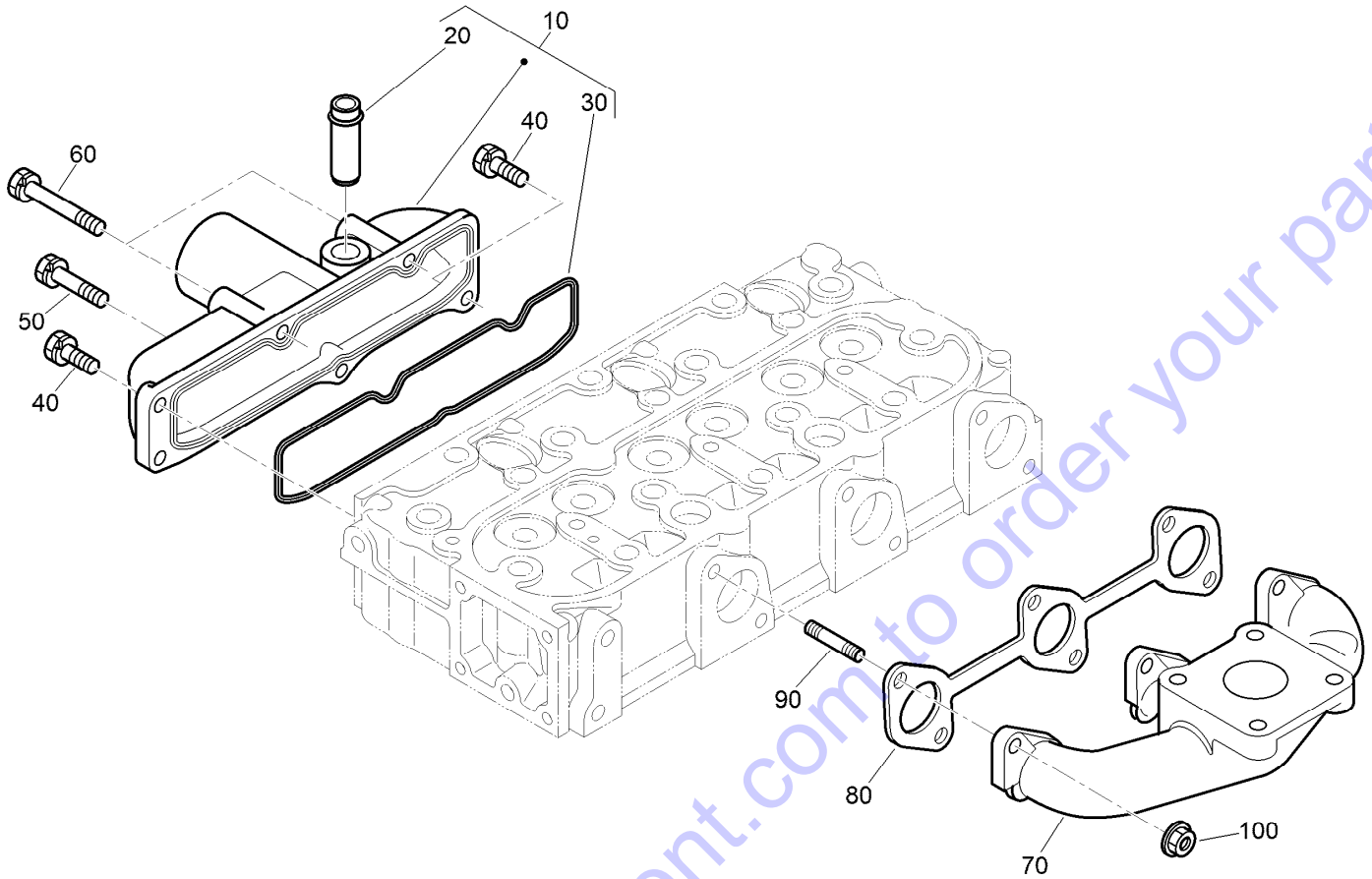
Ref.	Part Number	Qty.	Description
10	107-9089	1	Water Pump ASM
20	99-3516	1	Flange-Pump, Water
40	105-3750	1	Mechanical Seal ASM
50	112-7017	1	Impeller-Pump, Water
60	100-1932	1	Pipe-Return, Water
70	99-3454	1	Gasket-Pump, Water
80	98-9353	4	Bolt
90	107-9090	4	Bolt
100	98-9716	1	Pipe-Water
110	107-9091	1	Pipe-Water
120	127-0439	2	Clamp-Hose



Valve and Rocker Arm Assembly

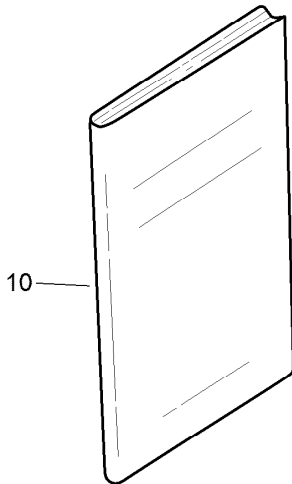
Ref.	Part Number	Qty.	Description
10	112-7018	3	Valve-Inlet
20	120-2564	3	Valve-Exhaust
30	98-9648	6	Spring-Valve
40	107-9092	6	Retainer-Spring
50	98-9390	6	Collet-Spring, Valve
60	99-8385	6	Seal-Stem, Valve
70	98-9497	6	Cap-Valve
80	130-1248	1	Shaft-Arm, Rocker
90	108-2873	2	Bolt-Flange

Ref.	Part Number	Qty.	Description
100	98-9505	3	Bracket-Arm, Rocker
110	105-3758	1	Pin-Spring
120	98-9507	2	Washer-Shaft, Rocker Arm
130	110-3832	2	Washer-Plain
140	98-9504	2	Spring-Arm, Rocker
150	112-7020	6	Rocker Arm ASM
160	98-9502	6	Screw-Adjusting
170	98-9503	6	Nut
180	117-8832	3	Bolt



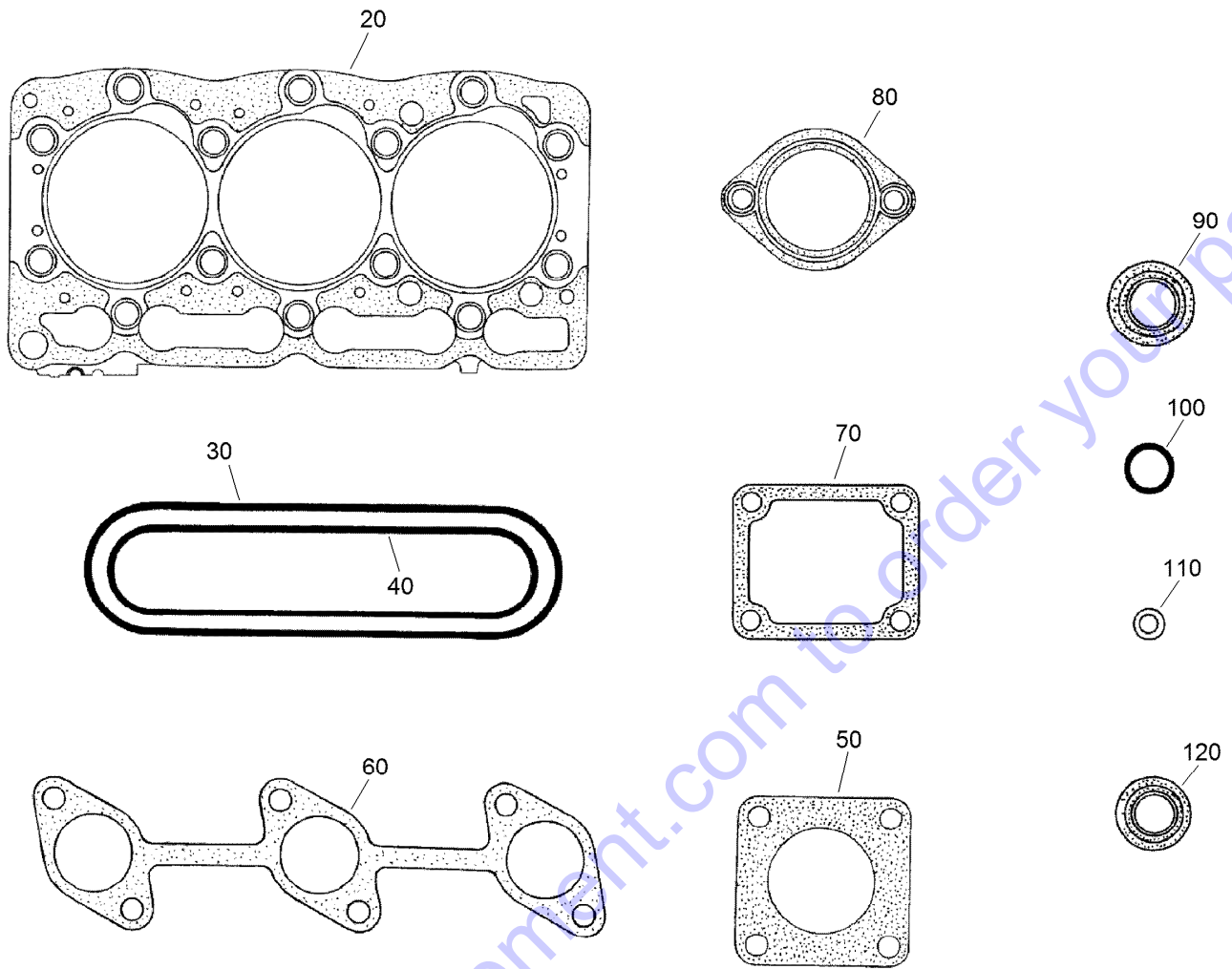
Inlet and Exhaust Manifold Assembly

Ref.	Part Number	Qty.	Description
10	108-6577	1	Inlet Manifold ASM
20	98-9492	1	Joint-Pipe, Breather
30	98-9609	1	Gasket-Manifold, Inlet
40	127-0403	3	Bolt-Flange
50	98-9353	1	Bolt
60	105-3797	2	Bolt
70	107-9093	1	Manifold-Exhaust
80	99-8327	1	Gasket-Manifold, Exhaust
90	98-9588	6	Stud
100	98-9665	6	Nut



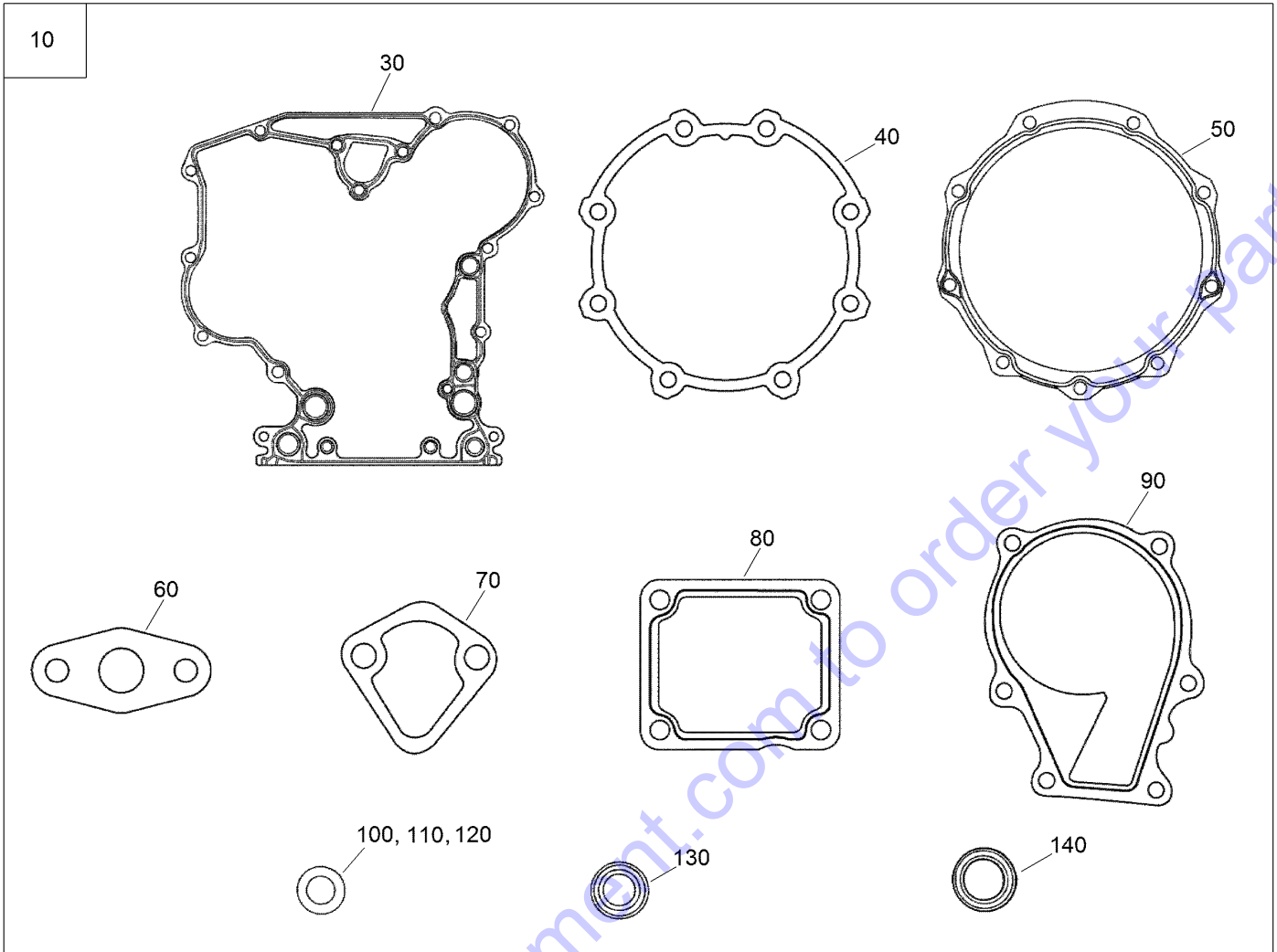
Accessories and Service Parts

<i>Ref.</i>	<i>Part Number</i>	<i>Qty.</i>	<i>Description</i>
10	130-1543	1	Manual-Operator



Upper Gasket Kit

Ref.	Part Number	Qty.	Description
10	117-8833	1	Upper Gasket Kit
20	108-6573	1	Gasket-Head, Cylinder
30	117-8806	1	Gasket-Cover, Head
40	98-9609	1	Gasket-Manifold, Inlet
50	99-8343	1	Gasket-Muffler
60	99-8327	1	Gasket-Manifold, Exhaust
70	98-9638	1	Gasket-Flange, Water
80	105-3748	1	Gasket-Thermostat
90	98-7677	3	Seal-Heat
100	99-3446	2	O-Ring
110	98-7676	3	Gasket
120	99-8385	6	Seal-Stem, Valve



Lower Gasket Kit

Ref.	Part Number	Qty.	Description
10	117-8834	1	Lower Gasket Kit
30	117-8835	1	Gasket-Case, Gear
40	131-6554	1	Gasket-Case, Bearing
50	112-7037	1	Gasket-Cover, Case
60	98-9682	1	Gasket
70	117-7562	1	Gasket-Pump, Fuel
80	98-9637	1	Gasket
90	99-3454	1	Gasket-Pump, Water
100	98-7654	6	Gasket
110	98-7524	1	Gasket
120	110-9715	1	Gasket-Pan, Oil
130	98-9482	1	Seal-Oil
140	112-0180	1	Seal-Oil

Attachments and Accessories

For 22328 TX 1000 Wide Track Compact Tool Carrier

Product Name	Model/Part
Auger Head	22805
Universal Swivel Auger Head	22806
9in Full-Flight Auger Bit	22821
12in Full-Flight Auger Bit.....	22822
6in Full-Flight Auger Bit	22820
15in Full-Flight Auger Bit.....	22823
18in Auger Bit	22814
24in Auger Bit	22815
30in Auger Bit	22816
12in Auger Bit Extension	22818
24in Auger Bit Extension	22819
High-Torque Trencher Head	22473
High-Speed Trencher Head	22474
Crumber Kit	22464
Trench Filler.....	22472
Multi-Purpose Tool.....	22423
Tree Forks	22438
Leveler.....	23165
48in Hydraulic Blade.....	22414
Concrete Breaker	23135
Cement Bowl	22442
Stump Grinder	22429
Dingo Grapple Rake	22577
40in Tiller	22445
Soil Cultivator	23102
Direct Drive Power Box Rake	22426
Vibratory Plow	22911
Bore Drive Head	22420
Rod and Reamer	22421
Narrow Bucket.....	22520
Standard Bucket.....	22340
Adjustable Forks.....	22341
High Volume Bucket	22342
Loose Materials Bucket	22410
Light Kit ASM.....	144-7100
Double Detent Valve	23171
Low Flow Auxiliary Kit.....	23134
Stump Grinder Fit-Up Kit.....	23172
Spark Arrestor	98-9099
Dingo 4-in-1 Bucket	22478
Standard Bucket with Spacer.....	22522
Dingo Snow Canopy	22584
Dingo Snow Thrower	22585
Semi-Gloss Black Spray Paint	361-9
Dark Metallic Gray Aerosol Paint	361-12
New Red Paint - Gallon	361-11

Attachments and Accessories (continued)

Air Dry Red Paint - Qt	5340
Kit Road Wheel, 5-pack	144-7392
Kit Road Wheel, 5-pack	144-7393
Backhoe With 12in Bucket, Dingo Cul.....	23106
Backhoe Fit-Up Kit.....	23126
Decal Kit - HERC	145-6943

Go to Discount-Equipment.com to order your parts

Notes:

Go to Discount-Equipment.com to order your parts

PARTS FINDER

**Search Website
by Part Number**



**Search Manual
Library For Parts
Manual & Lookup Part
Numbers – Purchase
or Request Quote**

Search Manuals

Enter your information to help us find the right parts manual for your equipment.

* Brand:

* Model:

* Serial:

* Part Number:

SEARCH

**Can't Find Part or
Manual? Request Help
by Manufacturer,
Model & Description**

Parts Order Form

Please fill in the following information to help us find the right part for your equipment.

Manufacturer:	<input type="text"/>
Model:	<input type="text"/>
Description:	<input type="text"/>
Part Number:	<input type="text"/>
Quantity:	<input type="text"/>
Notes:	<input type="text"/>

Submit

Discount-Equipment.com is your online resource for quality parts & equipment.

Florida: **561-964-4949** Outside Florida TOLL FREE: **877-690-3101**

Need parts?

Click on this link: <http://www.discount-equipment.com/category/5443-parts/> and choose one of the options to help get the right parts and equipment you are looking for. Please have the machine model and serial number available in order to help us get you the correct parts. If you don't find the part on the website or on one of the online manuals, please fill out the request form and one of our experienced staff members will get back to you with a quote for the right part that your machine needs.

We sell worldwide for the brands: Genie, Terex, JLG, MultiQuip, Mikasa, Essick, Whiteman, Mayco, Toro Stone, Diamond Products, Generac Magnum, Airman, Haulotte, Barreto, Power Blanket, Nifty Lift, Atlas Copco, Chicago Pneumatic, Allmand, Miller Curber, Skyjack, Lull, Skytrak, Tsurumi, Husquvarna Target, Stow, Wacker, Sakai, Mi-T-M, Sullair, Basic, Dynapac, MBW, Weber, Bartell, Bennar Newman, Haulotte, Ditch Runner, Menegotti, Morrison, Contec, Buddy, Crown, Edco, Wyco, Bomag, Laymor, EZ Trench, Bil-Jax, F.S. Curtis, Gehl Pavers, Heli, Honda, ICS/PowerGrit, IHI, Partner, Imer, Clipper, MMD, Koshin, Rice, CH&E, General Equipment, Amida, Coleman, NAC, Gradall, Square Shooter, Kent, Stanley, Tamco, Toku, Hatz, Kohler, Robin, Wisconsin, Northrock, Oztec, Toker TK, Rol-Air, APT, Wylie, Ingersoll Rand / Doosan, Innovatech, Con X, Ammann, Mecalac, Makinex, Smith Surface Prep, Small Line, Wanco, Yanmar



Count on it.



www.discount-equipment.com

Go to Discount-Equipment.com to order your parts