



Count on it.

Parts Catalog

TX 1300

Compact Tool Carrier

Model No. 22370—Serial No. 410500000 and Up

Go to Discount-Equipment.com to order your parts



www.discount-equipment.com



PARTS FINDER

**Search Website
by Part Number**



**Search Manual
Library For Parts
Manual & Lookup Part
Numbers – Purchase
or Request Quote**

Search Manuals

Enter your information to help us find the right parts manual for your machine.

* Brand:

* Model:

* Serial:

* Part Number:

SEARCH

**Can't Find Part or
Manual? Request Help
by Manufacturer,
Model & Description**

Parts Order Form

Please fill in the following information to help us find the right part for your machine.

Manufacturer:	<input type="text"/>
Model:	<input type="text"/>
Description:	<input type="text"/>
Part Number:	<input type="text"/>
Quantity:	<input type="text"/>
Notes:	<input type="text"/>

Submit

Discount-Equipment.com is your online resource for quality parts & equipment.

Florida: **561-964-4949** Outside Florida TOLL FREE: **877-690-3101**

Need parts?

Click on this link: <http://www.discount-equipment.com/category/5443-parts/> and choose one of the options to help get the right parts and equipment you are looking for. Please have the machine model and serial number available in order to help us get you the correct parts. If you don't find the part on the website or on one of the online manuals, please fill out the request form and one of our experienced staff members will get back to you with a quote for the right part that your machine needs.

We sell worldwide for the brands: Genie, Terex, JLG, MultiQuip, Mikasa, Essick, Whiteman, Mayco, Toro Stone, Diamond Products, Generac Magnum, Airman, Haulotte, Barreto, Power Blanket, Nifty Lift, Atlas Copco, Chicago Pneumatic, Allmand, Miller Curber, Skyjack, Lull, Skytrak, Tsurumi, Husquvarna Target, Stow, Wacker, Sakai, Mi-T-M, Sullair, Basic, Dynapac, MBW, Weber, Bartell, Bennar Newman, Haulotte, Ditch Runner, Menegotti, Morrison, Contec, Buddy, Crown, Edco, Wyco, Bomag, Laymor, EZ Trench, Bil-Jax, F.S. Curtis, Gehl Pavers, Heli, Honda, ICS/PowerGrit, IHI, Partner, Imer, Clipper, MMD, Koshin, Rice, CH&E, General Equipment, Amida, Coleman, NAC, Gradall, Square Shooter, Kent, Stanley, Tamco, Toku, Hatz, Kohler, Robin, Wisconsin, Northrock, Oztec, Toker TK, Rol-Air, APT, Wylie, Ingersoll Rand / Doosan, Innovatech, Con X, Ammann, Mecalac, Makinex, Smith Surface Prep, Small Line, Wanco, Yanmar

Ordering Replacement Parts

To order replacement parts, please supply the part number, the quantity, and the description of each part desired.

Understanding Reference Numbers

Each identified part in an illustration has a reference number. The reference number for a part also appears in the parts list, along with other information about the part.

This catalog uses two special reference number formats, one to indicate parts in a service assembly and another to indicate the quantity of a given part in an illustration.

Service Assembly Reference Numbers

Parts in service assemblies have reference numbers in the form a:b. The a represents the reference number of the entire service assembly and the b represents a sequential number unique to each part within the service assembly.

For example, a wheel assembly might be identified by reference number 6, the tire by 6:1, the valve by 6:2, and the wheel by 6:3. When you order the assembly identified by reference number 6, you receive all parts identified by reference numbers 6:1, 6:2, and 6:3. However, you may also order any part individually. Reference numbers of this type appear in illustration and in parts lists.

Reference Numbers Indicating Quantity

In an illustration, if a reference number indicates more than one part, the reference number has the form nX y. The n represents the quantity of the part, the X is the multiplication symbol, and the y represents the reference number.

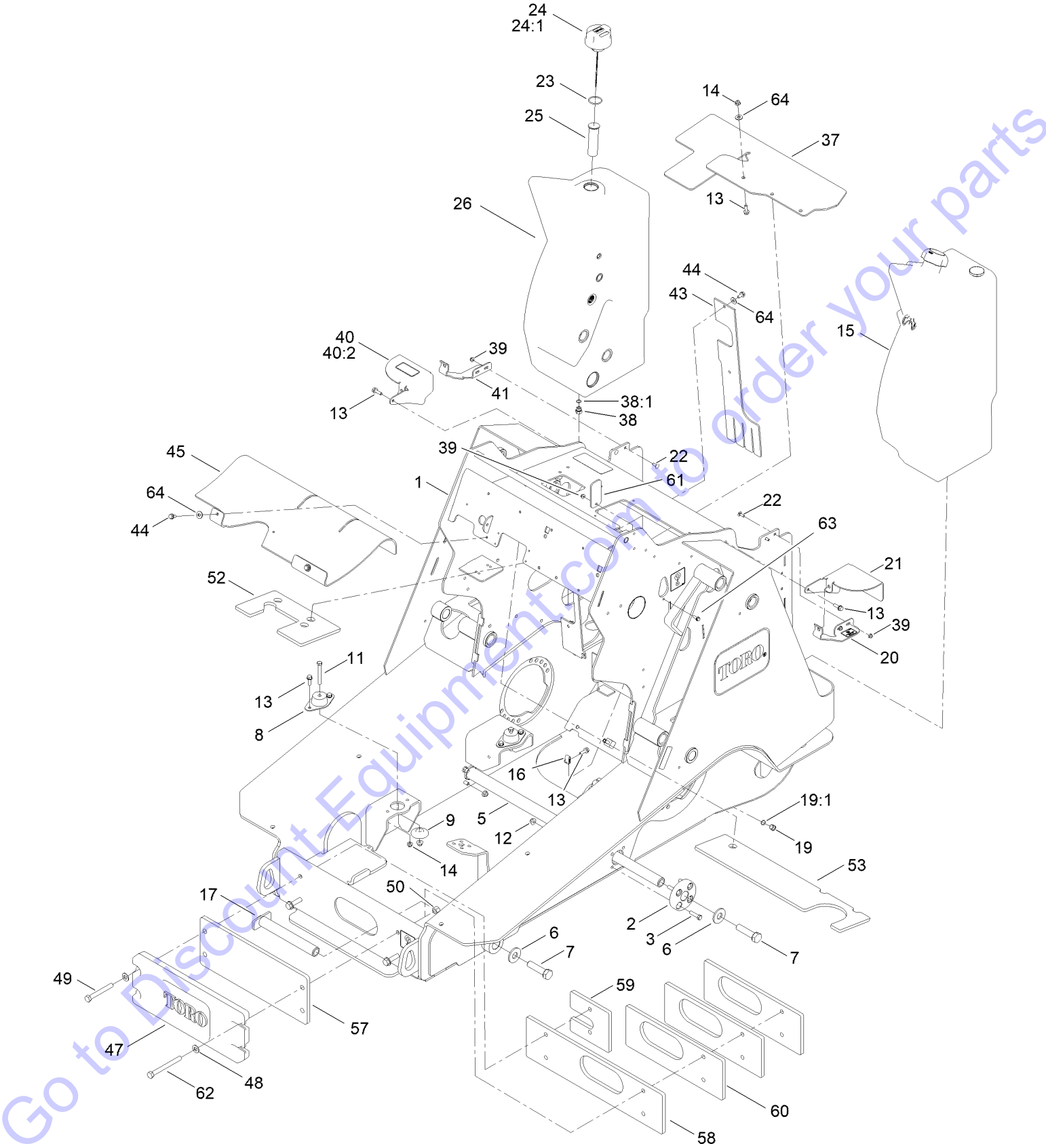
For example, in an illustration, the reference number 2X 37 means that two of the parts identified by reference number 37 are indicated.

Go to Discount-Equipment.com to order your parts

Contents

Main Frame Assembly	4
Frame Decal Assembly No. 139-4750	6
Fuel Tank Assembly No. 140-1679	8
Track Assembly	10
RH Track Assembly No. 139-7293	12
LH Track Assembly No. 139-7294	14
Engine Assembly	16
Air Cleaner Assembly No. 99-5410	18
Fuel System Assembly	20
Cooling System Assembly	22
Principal Hydraulic Assembly	24
Tandem Pump Hydraulic Assembly	26
Tandem Pump Assembly No. 139-4733	28
Hydraulic Gear Pump Assembly No. 139-4755	30
Manifold Hydraulic Assembly	32
Console Assembly	34
Control Valve Assembly No. 138-0827	36
Loader Arm Hydraulic Assembly	38
Upper Loader Arm Assembly No. 140-6062	40
Lower Loader Arm Assembly No. 140-6063	42
Attachment Plate Assembly No. 140-6017	44
Platform Assembly	46
Hood and Cover Assembly	48
Electrical System Assembly	50
Cylinder Block Assembly	52
Gear Housing Assembly	54
Flywheel Housing and Oil Sump Assembly	56
Cylinder Head and Cover Assembly	58
Suction Manifold Assembly	60
Exhaust Manifold Assembly	62
Diesel Particulate Filter Assembly	64
Camshaft and Driving Gear Assembly	66
Crankshaft and Piston Assembly	68
Lubrication and Oil System Assembly	70
Cooling System Assembly	72
Fuel System Assembly	74
Fuel Injection Valve Assembly	76
Fuel Line Assembly	78
Starting Motor Assembly	80
Generator Assembly	82
Electric Parts Assembly	84
Gasket Set	86
Attachments and Accessories	88

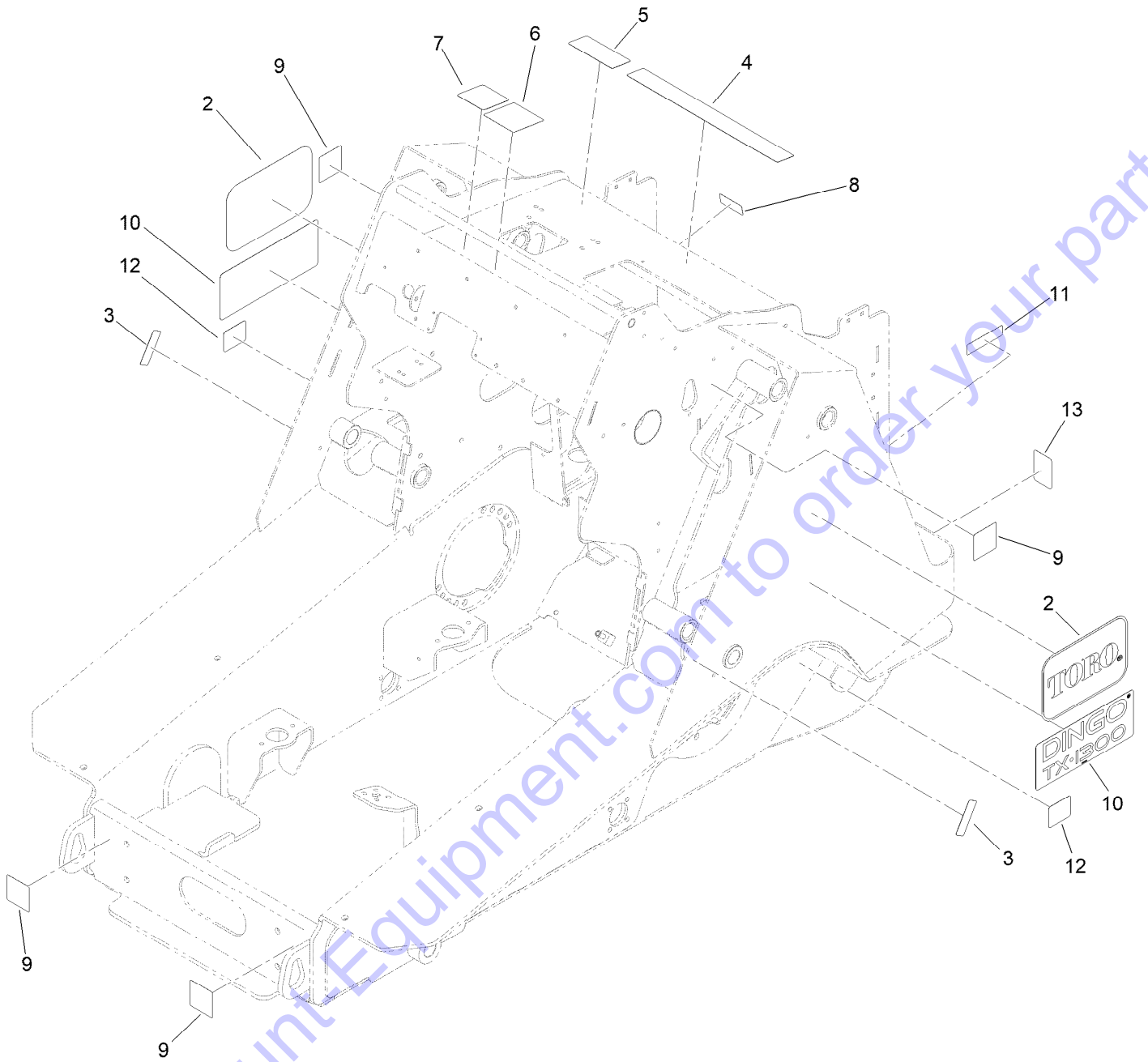
Main Frame Assembly



Main Frame Assembly (continued)

<i>Ref.</i>	<i>Part Number</i>	<i>Qty.</i>	<i>Description</i>	<i>Ref.</i>	<i>Part Number</i>	<i>Qty.</i>	<i>Description</i>
1	139-4750	1	Main Frame ASM,	26	140-1775	1	Hydraulic Tank W/Inserts
2	132-9074	2	Hub-Shaft	37	140-1772	1	Baffle-Rubber
3	323-8	8	Screw-HH	38	353-508	1	Plug-HH
5	138-2426	1	Shaft-Track	38:1	237-42	1	O-Ring
6	99-2659	4	Washer	39	104-7201	5	Nut-HF, NI
7	328-25	4	Screw-HH	40	145-4284	1	Bracket-HYD Tank
8	125-5244	4	Mount-Engine	40:2	125-8483	1	Decal-HYD Fluid
9	138-6462	4	Support-Isolator	41	144-0724-03	1	Bracket-Tank, RH
11	323-14	4	Screw-HH	43	144-0732	1	Baffle-Side
12	104-8301	12	Nut-HF, NI	44	32144-14	10	Screw-HWHTF
13	3234-29	18	Screw-HHF	45	144-0733	1	Baffle-Console
14	104-8300	13	Nut-HF, NI	47	99-6166-01	1	Counterweight-Front
15	140-1679	1	Tank ASM	48	3256-26	4	Washer-Flat
16	115-7721	5	Nut-Clip, U	49	325-17	2	Screw-HH
17	140-1687	2	Shaft-Front,Track	50	3296-23	4	Nut-Lock, NI
19	353-989	1	Plug-Hex, Hollow	52	144-4370	1	Foam-Heat Shield
19:1	237-42	1	O-Ring	53	144-4371	1	Foam-Heat Shield
20	144-0723	1	Bracket-Tank,(Service)	57	144-0773-03	1	Plate-Weight
21	144-0722-03	1	Bracket-Tank	58	144-0779-03	1	Plate-Weight
22	3229-1	4	Screw-CARR	59	144-0780-03	1	Plate-Weight
23	94-8166	1	O-Ring	60	144-0781-03	3	Plate-Weight
24	117-0193	1	Cap-Hydraulic, Vented Breather	61	145-4272	1	Cover-Rubber
24:1	237-101	1	O-Ring	62	325-19	2	Screw-HH
25	61-2790	1	Filter-Screen	63	115-5103	1	Screw-HHF
				64	3256-56	10	Washer-Flat

Frame Decal Assembly No. 139-4750



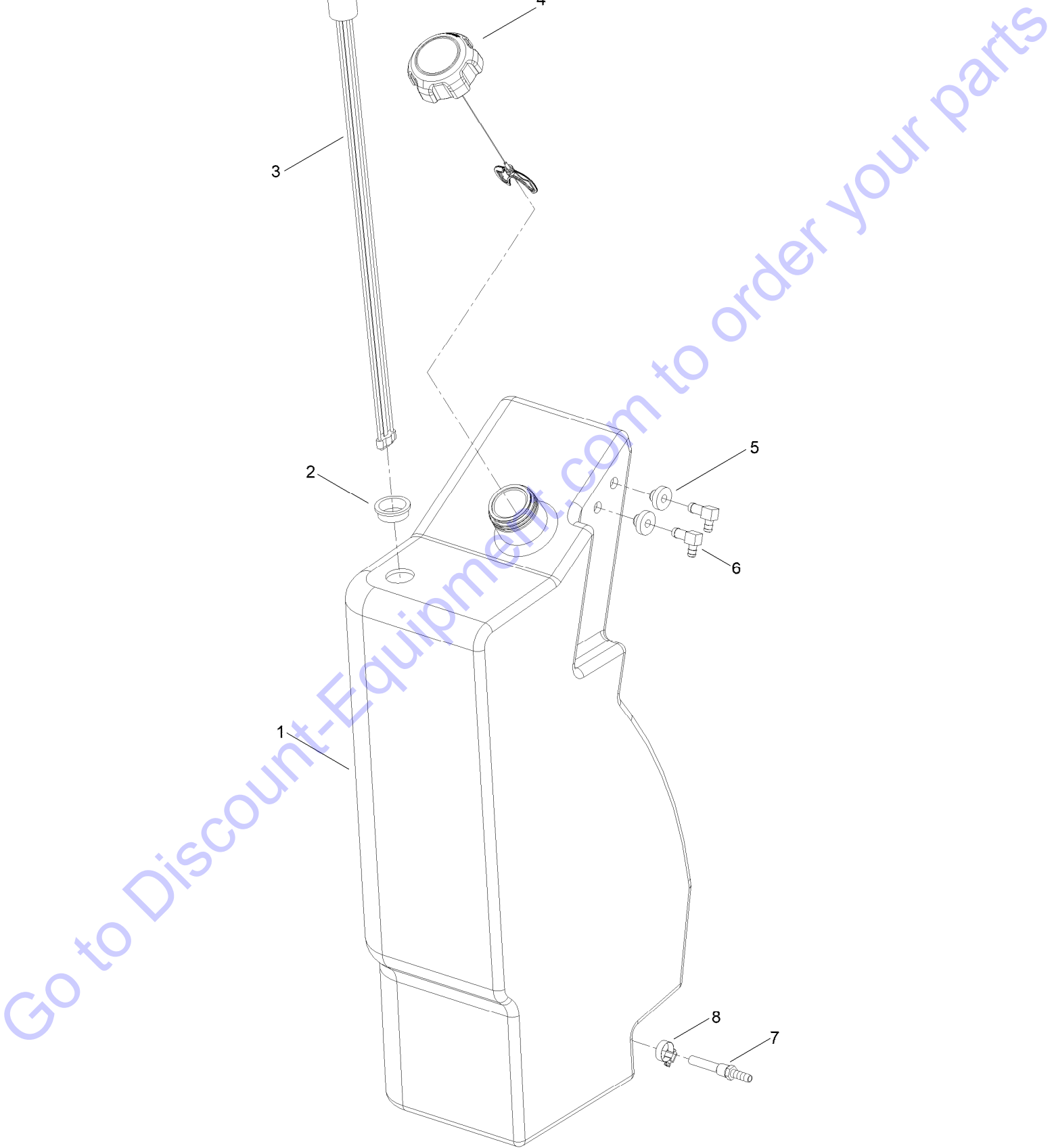
Go to DiscountEquipment.com to order your parts

Frame Decal Assembly No. 139-4750 (continued)

<i>Ref.</i>	<i>Part Number</i>	<i>Qty.</i>	<i>Description</i>	<i>Ref.</i>	<i>Part Number</i>	<i>Qty.</i>	<i>Description</i>
2	66-6140	2	Decal	8	115-2047	1	Decal-Surface, Hot
3	120-0625	2	Decal-Warning	9	125-4967	4	Decal-Lift Here
4	145-0637	1	Decal-Safety	10	144-4254	2	Decal-Dingo Tx1300
5	139-1162	1	Decal-Safety	11	133-8062	1	Decal-Arrestor, Spark
6	115-4857	1	Decal-Control, Loader	12	125-6694	2	Decal-Tie Down
7	145-4273	1	Decal-Joystick Controls	13	100-4627	2	Reflector

Go to Discount-Equipment.com to order your parts

Fuel Tank Assembly No. 140-1679



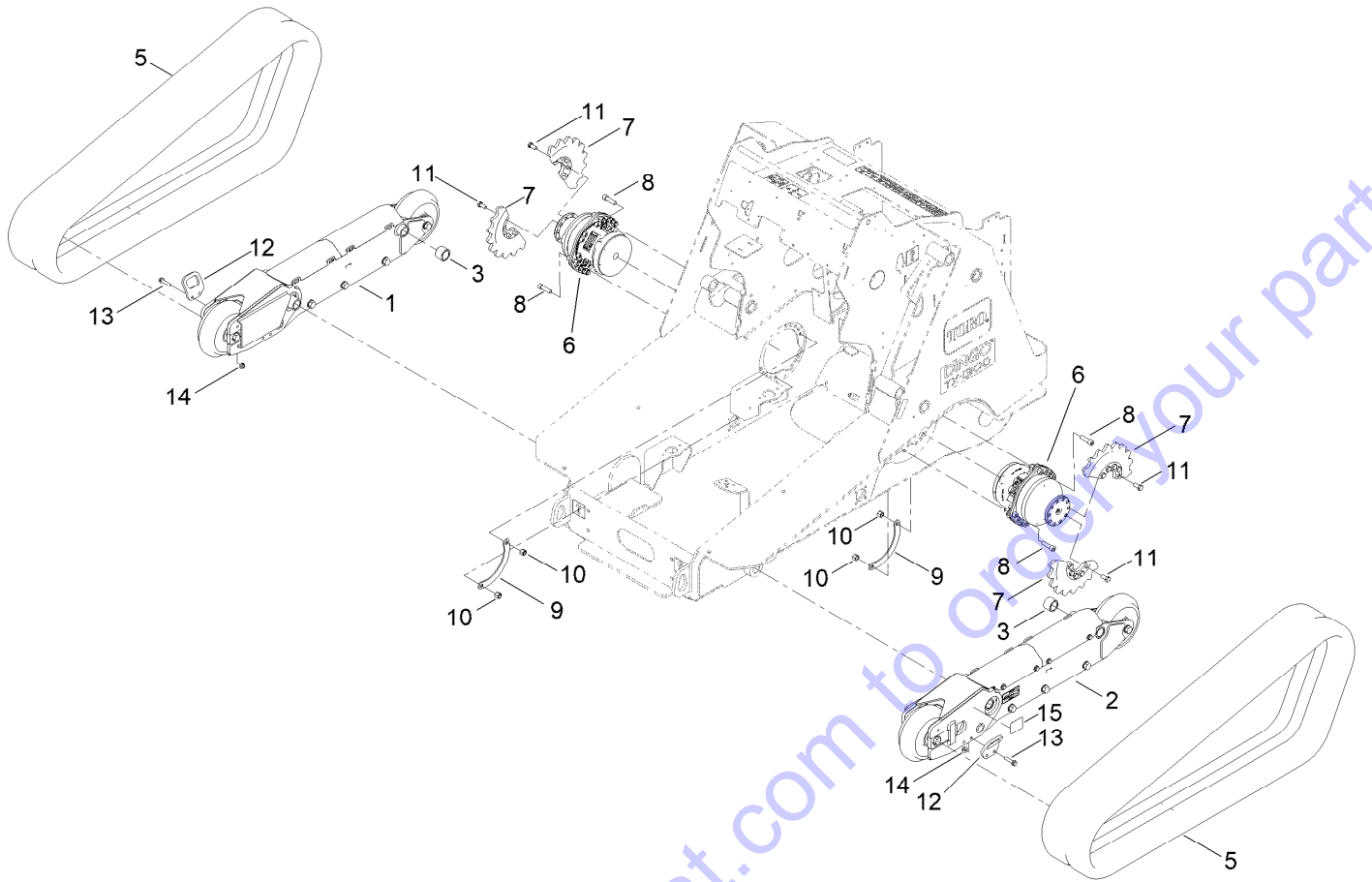
Fuel Tank Assembly No. 140-1679 (continued)

<i>Ref.</i>	<i>Part Number</i>	<i>Qty.</i>	<i>Description</i>
1	140-1650	1	Tank-Deisel
2	95-8972	1	Grommet
3	133-6992	1	Gauge-Level, Fuel
4	144-4373	1	Cap-Diesel

<i>Ref.</i>	<i>Part Number</i>	<i>Qty.</i>	<i>Description</i>
5	46-6560	2	Bushing
6	46-6550	2	Fitting-Elbow, 90 DEG
7	112-6374	1	Fitting-Strainer
8	2412-36	1	Clamp-Hose

Go to Discount-Equipment.com to order your parts

Track Assembly



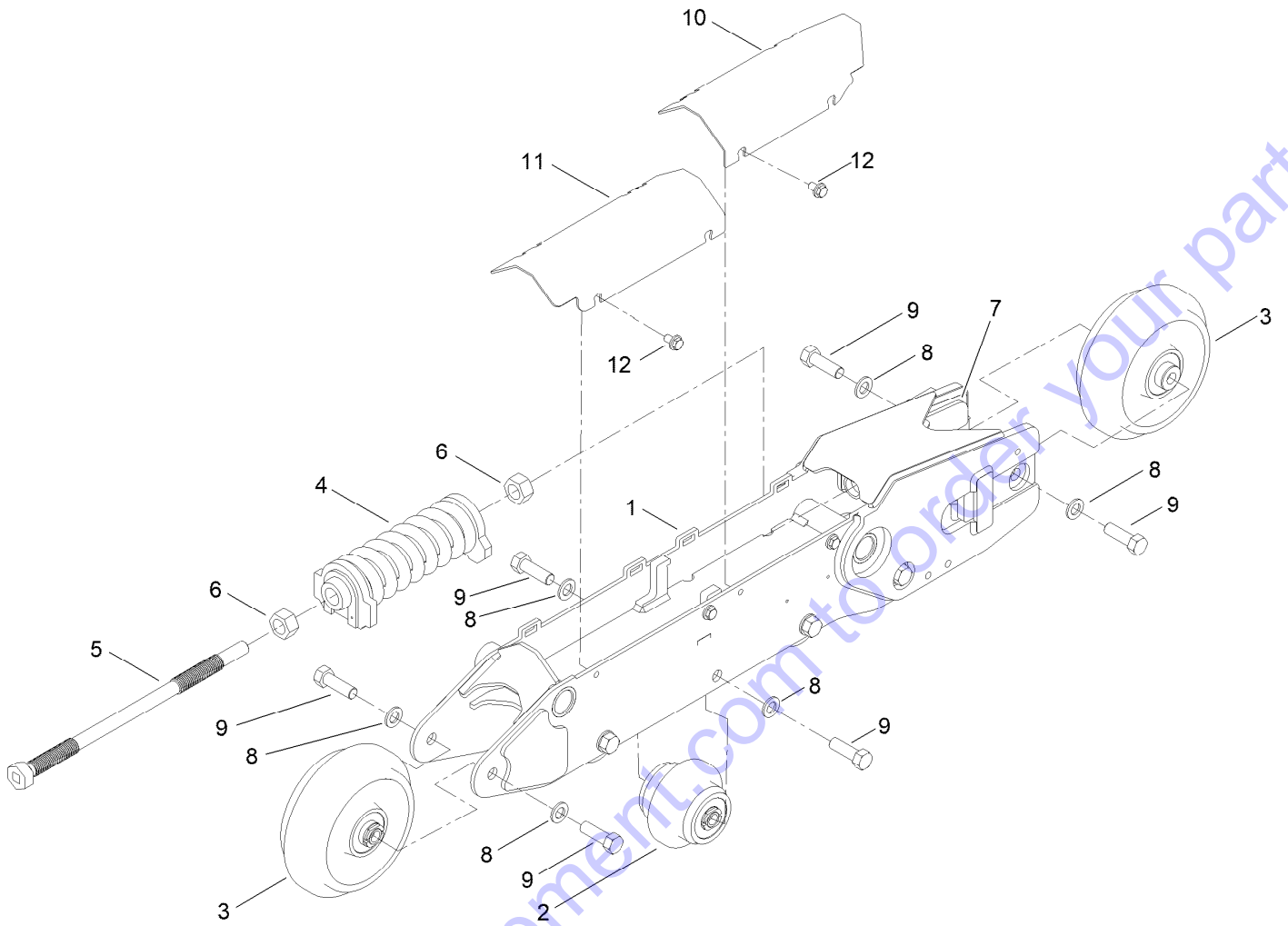
Go to Discount-Equipment.com to order your parts

Track Assembly (continued)

<i>Ref.</i>	<i>Part Number</i>	<i>Qty.</i>	<i>Description</i>	<i>Ref.</i>	<i>Part Number</i>	<i>Qty.</i>	<i>Description</i>
1	139-7293	1	Track ASM-RH	9	140-6013-03	2	Plate-Cover
2	139-7294	1	Track ASM-LH	10	3296-23	20	Nut-Lock, NI
3	140-5908	2	Spacer	11	33116-025	20	Screw-HH
5	138-0777	2	Track-Wide,	12	140-6077-03	2	Plate-Tie Down
6	139-4857	2	Wheelmotor ASM	13	3234-19	4	Screw-HHF
7	139-7118	4	Sprocket-Drive	14	104-8301	4	Nut-HF, NI
8	131-0661	20	Screw-HSH	15	125-6694	2	Decal-Tie Down

Go to Discount-Equipment.com to order your parts

RH Track Assembly No. 139-7293



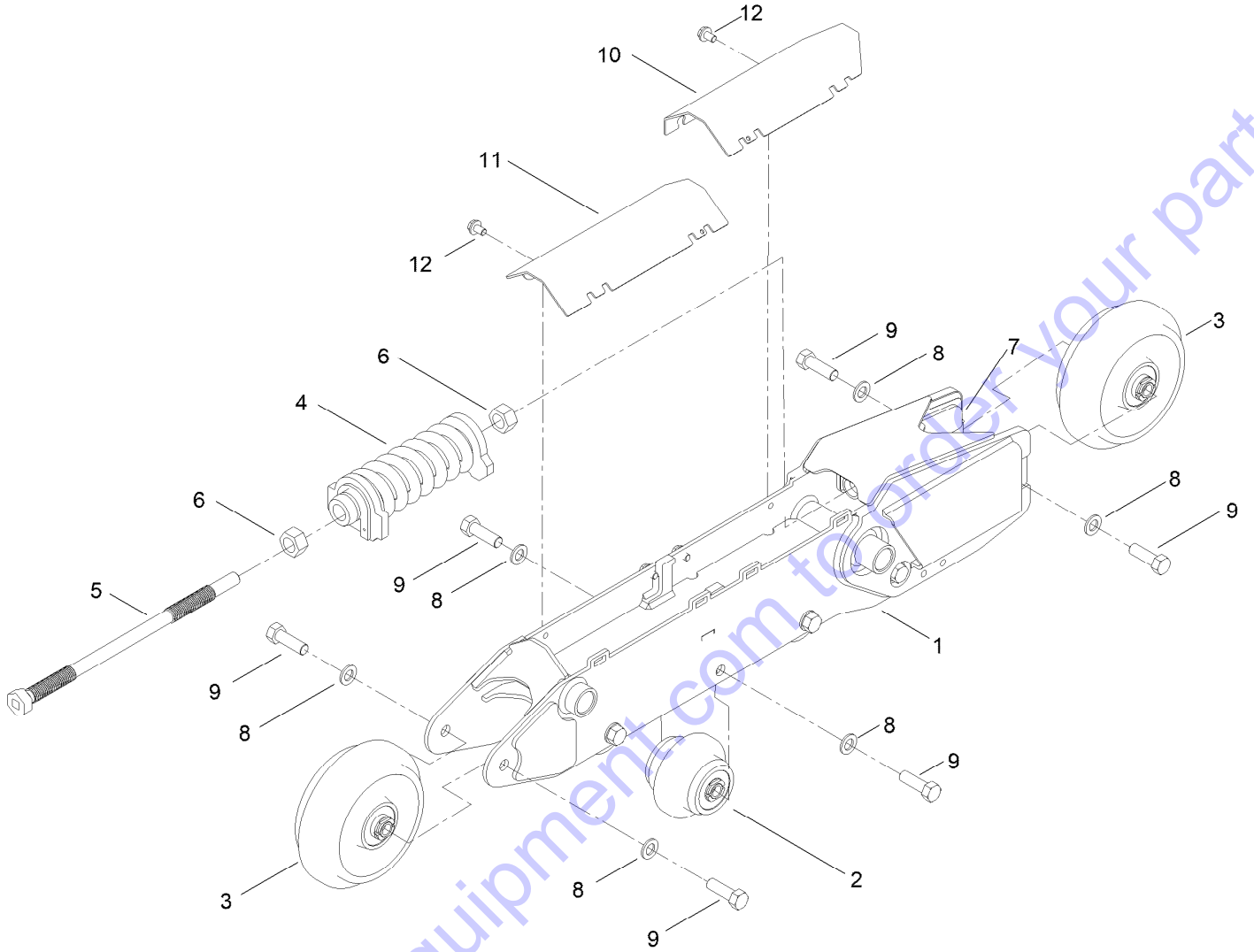
RH Track Assembly No. 139-7293 (continued)

<i>Ref.</i>	<i>Part Number</i>	<i>Qty.</i>	<i>Description</i>
1	139-7292	1	Frame-Track RH
2	137-8808	4	Wheel ASM,
3	137-8807	2	Tensioner Wheel ASM
4	140-5872	1	Kit-Spring Tension
5	139-7298	1	Screw-Tensioner
6	3217-15	2	Nut-Hex

<i>Ref.</i>	<i>Part Number</i>	<i>Qty.</i>	<i>Description</i>
7	139-7301	1	Yoke-Tensioner
8	139-7310	12	Washer
9	111-3484	12	Screw-HH
10	139-7311	1	Plate-Cover RH
11	139-7312	1	Plate-Cover RH
12	63-11-019	4	Screw-HHF

Go to Discount-Equipment.com to order your parts

LH Track Assembly No. 139-7294



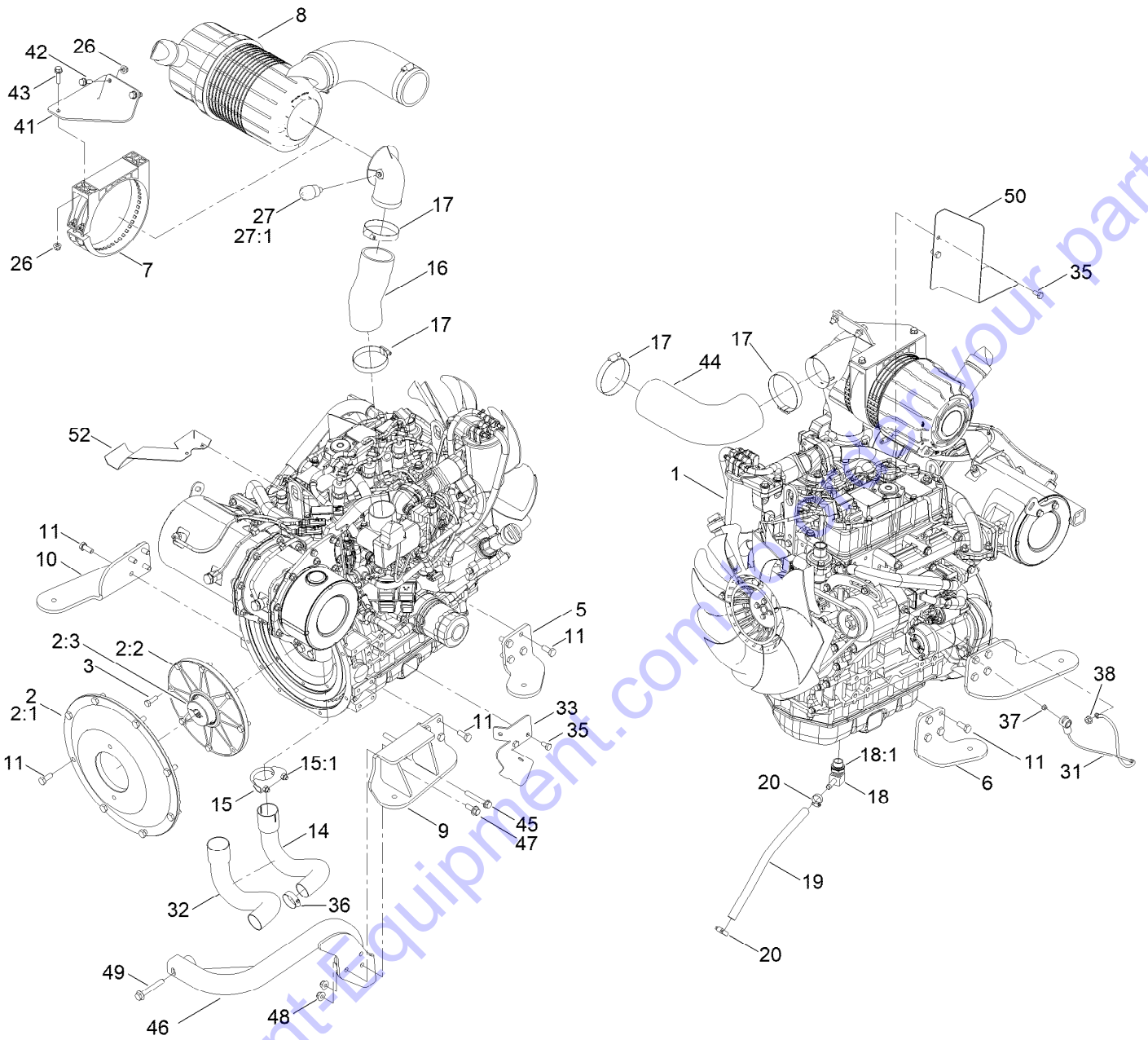
Go to Discount-Equipment.com to order your parts

LH Track Assembly No. 139-7294 (continued)

<i>Ref.</i>	<i>Part Number</i>	<i>Qty.</i>	<i>Description</i>	<i>Ref.</i>	<i>Part Number</i>	<i>Qty.</i>	<i>Description</i>
1	139-7303	1	Frame-Track LH	7	139-7301	1	Yoke-Tensioner
2	137-8808	4	Wheel ASM,	8	139-7310	12	Washer
3	137-8807	2	Tensioner Wheel ASM	9	111-3484	12	Screw-HH
4	140-5872	1	Kit-Spring Tension	10	139-7304	1	Plate-Cover LH
5	139-7298	1	Screw-Tensioner	11	139-7305	1	Plate-Cover LH
6	3217-15	2	Nut-Hex	12	63-11-019	4	Screw-HHF

Go to Discount-Equipment.com to order your parts

Engine Assembly

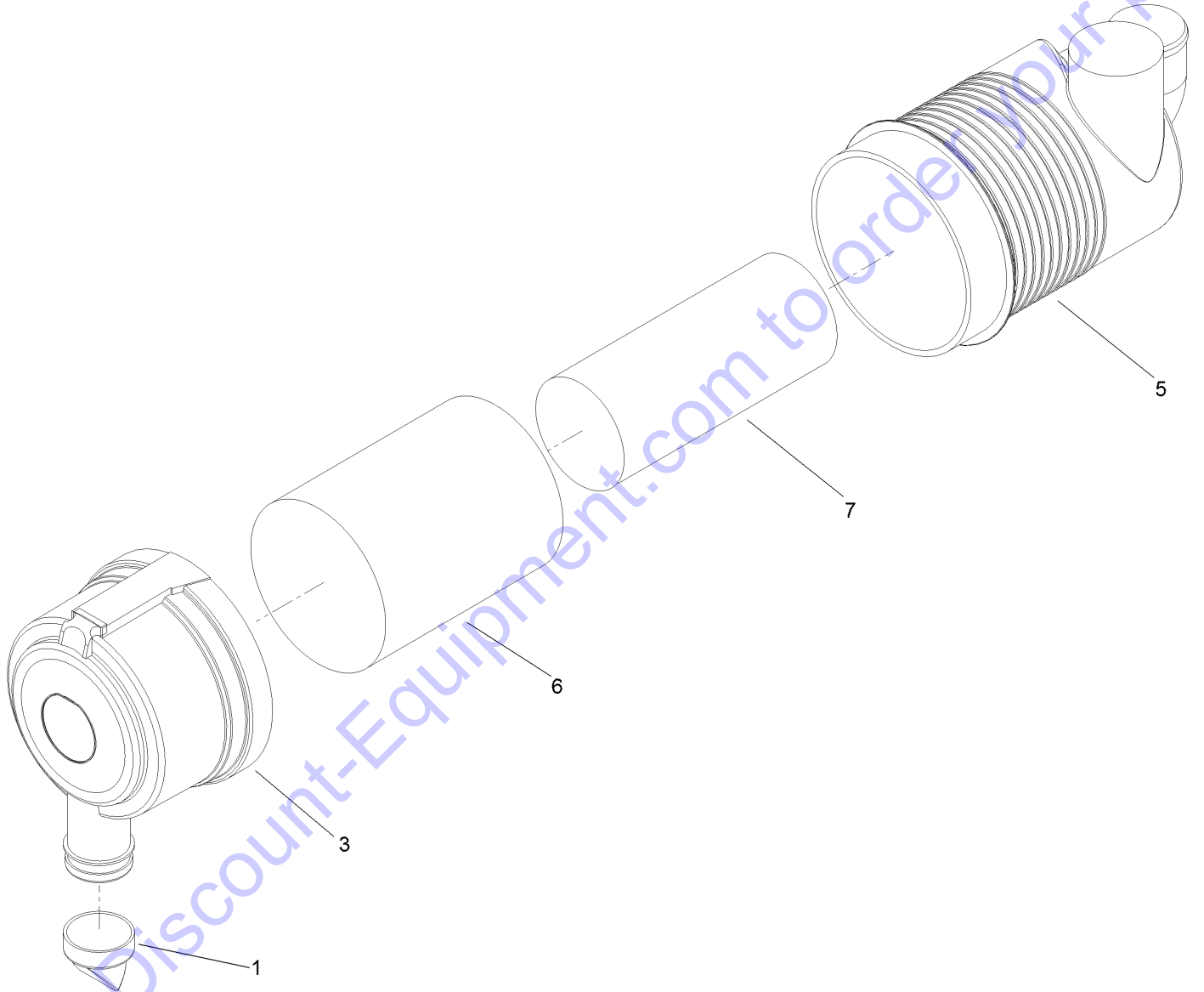


Engine Assembly (continued)

<i>Ref.</i>	<i>Part Number</i>	<i>Qty.</i>	<i>Description</i>	<i>Ref.</i>	<i>Part Number</i>	<i>Qty.</i>	<i>Description</i>
1	138-6915	1	Engine-Yanmar, 3Tnv88C-Dtr	20	2412-36	2	Clamp-Hose
2	139-4732	1	Kit-Drive Coupler	26	104-8300	4	Nut-HF, NI
2:1	136-0235	1	Plate- Mounting, Pump	27	104-3563	1	Indicator
2:2	127-6607	1	Flange-Flywheel	27:1	94-1416	1	Adapter-Indicator
2:3	130-7725	1	Hub-Pump	31	100-5552	1	Harness-Wire
3	33114-025	8	Screw-HH	32	140-6011	1	Sleeve-Exhaust
5	138-2430-03	1	Mount-Engine	33	140-6087-03	1	Bracket-Guard
6	138-2429-03	1	Mount-Engine	35	33114-016	4	Screw-HH
7	99-5414	1	Strap-Cleaner, Air	36	2412-3	2	Clamp-Hose
8	99-5410	1	Air Cleaner ASM	37	33003-00	1	Nut-HF
9	145-4288-03	1	Mount-Engine [black]	38	33004-00	1	Nut-HF
10	138-2432-03	1	Mount-Engine	41	144-4383-03	1	Bracket-Filter,Air
11	33115-025	24	Screw-HH	42	3234-29	2	Screw-HHF
14	140-4491	1	Pipe-Exhaust	43	3234-36	2	Screw-HHF
15	2112-6	1	Clamp-Muffler	44	144-4435	1	Hose-Intake
15:1	3218-2	2	Nut-Hex Jam	45	133-9682	2	Screw-Hfh
16	140-4494	1	Hose-Air,Inlet	46	145-4285-03	1	Support-Pump [black]
17	2412-125	4	Clamp-Hose	47	119-4061	1	Screw-HHF
18	112-2404	1	Fitting-Barbed-90	48	104-8301	3	Nut-HF, NI
18:1	112-2525	1	Washer-Seal, Bonded	49	33105-070	1	Screw-HHF
19	92-7424	1	Hose-Overflow, Radiator	50	144-4436	1	Bracket-Diverter, Air
				52	145-4292	1	Shield-Heat

Go to Discount-Equipment.com to order your parts

Air Cleaner Assembly No. 99-5410



Go to Discount-Equipment.com to order your parts

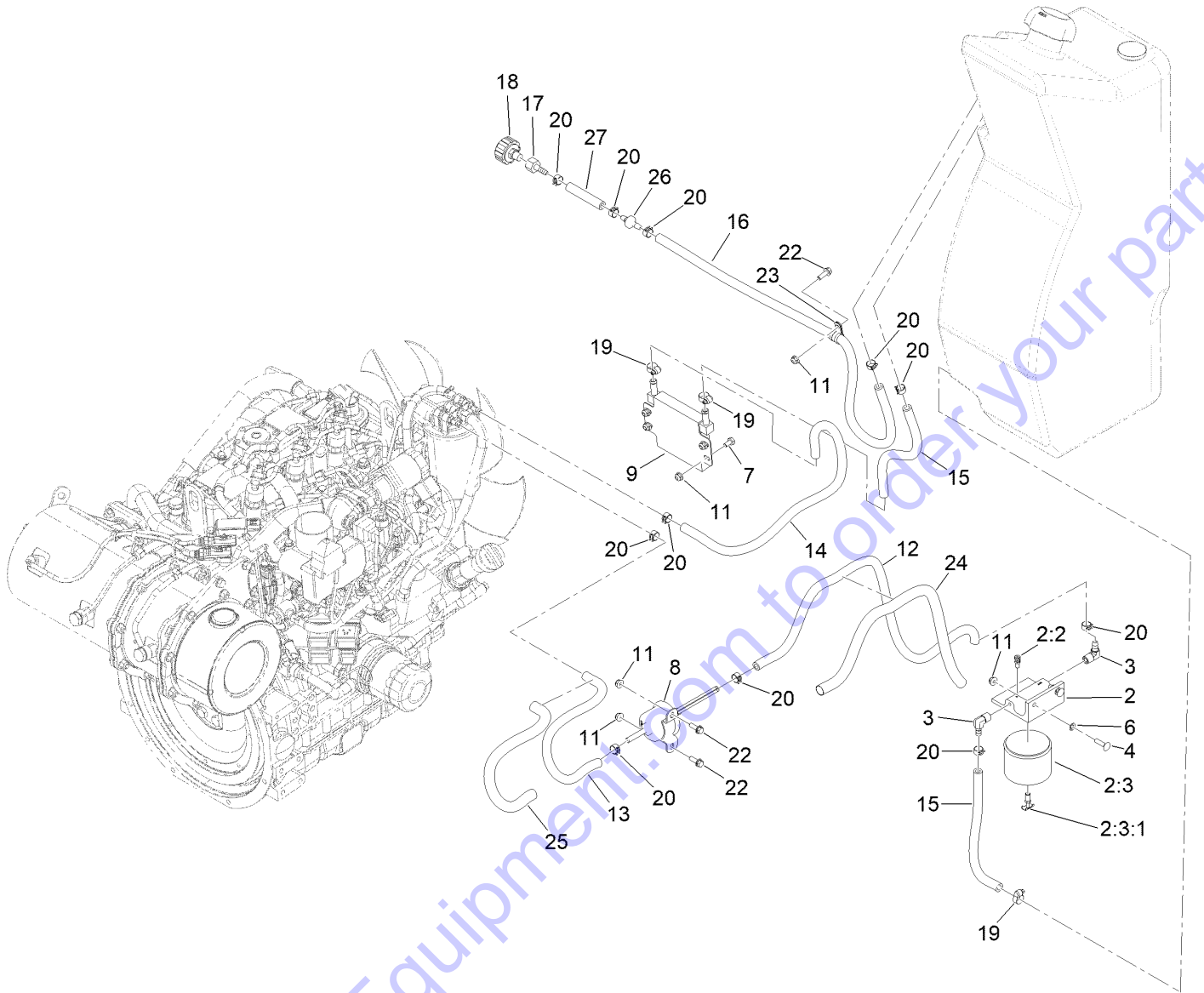
Air Cleaner Assembly No. 99-5410 (continued)

<i>Ref.</i>	<i>Part Number</i>	<i>Qty.</i>	<i>Description</i>	<i>Ref.</i>	<i>Part Number</i>	<i>Qty.</i>	<i>Description</i>
1	104-4258	1	Valve-Vacuator	6	108-3814	1	Filter-Air
3	104-4259	1	Cover	7	108-3816	1	Filter-Air
5		1	Body ASM ●				

Go to Discount-Equipment.com to order your parts

● Not serviced separately

Fuel System Assembly

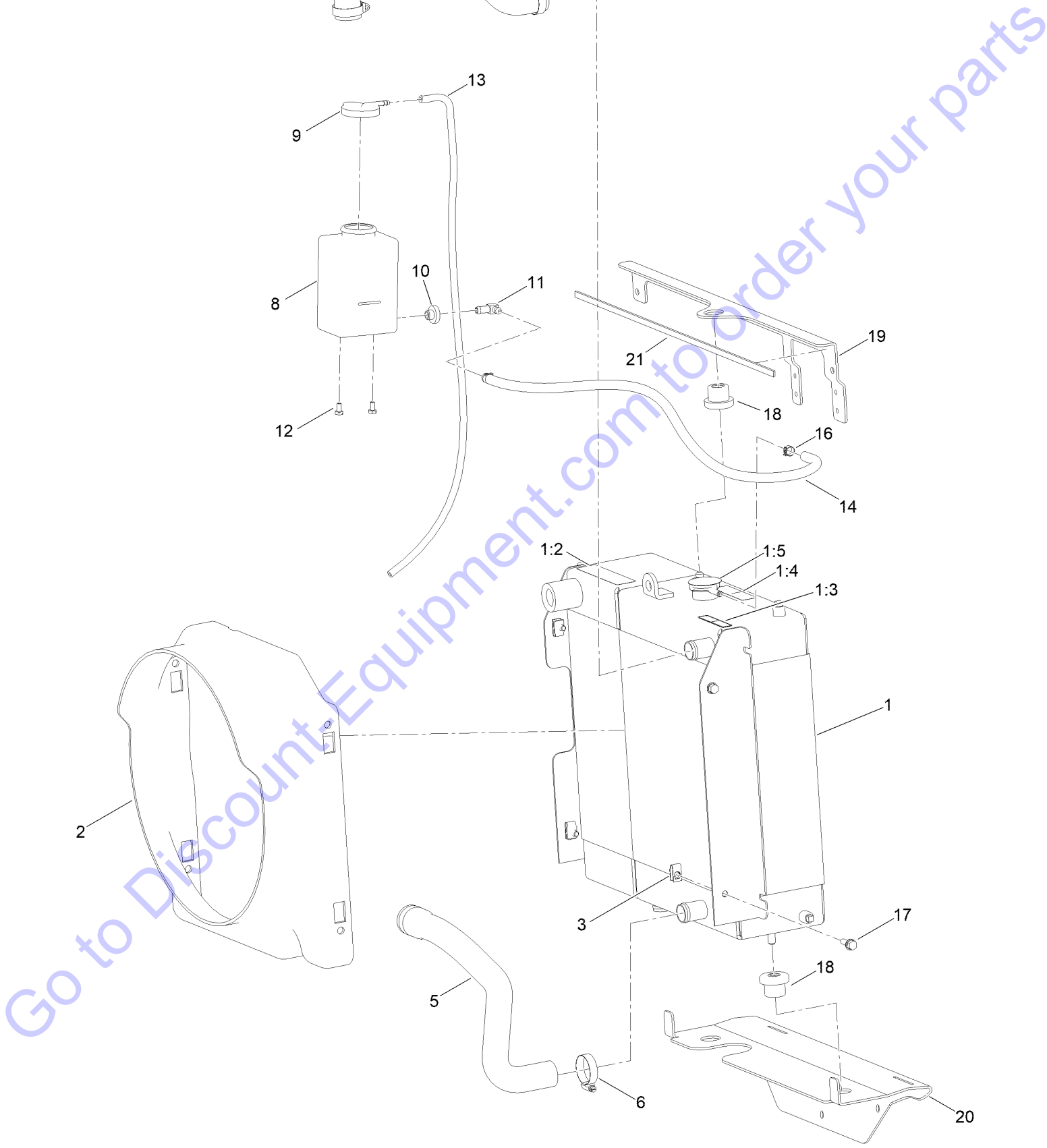


Fuel System Assembly (continued)

<i>Ref.</i>	<i>Part Number</i>	<i>Qty.</i>	<i>Description</i>	<i>Ref.</i>	<i>Part Number</i>	<i>Qty.</i>	<i>Description</i>
2	109-2678	1	Filter ASM	14	109-0308	1	Hose-Fuel
2:2	63-8290	1	Vent-Air	15	110-4105	2	Hose-Fuel
2:3	63-8300	1	Element-Spin On	16	110-9662	1	Hose-Fuel
2:3:1	63-8310	1	Valve-Drain	17	354-95	1	Fitting-Straight
3	353-781	2	Fitting-HYD, 90	18	68-6150	1	Breather
4	3229-2	2	Screw-CARR	19	2412-108	3	Clamp-Worm
6	1-803037	2	Nut-Retaining	20	92-2379	11	Clamp-Hose
7	321-2	4	Screw-HH	22	115-5103	3	Screw-HHF
8	121-5613	1	Pump-Fuel, Electric	23	2412-134	1	Clamp-R
9	116-7205	1	Cooler	24	131-0575	1	Sleeve-Thermal
11	104-7201	9	Nut-HF, NI	25	144-4385	1	Sleeve-Thermal
12	110-6186	1	Hose-Fuel	26	99-5000	1	Valve-Check, Fuel
13	110-8752	1	Hose-Fuel	27	112-6388	1	Hose-Fuel

Go to Discount-Equipment.com to order your parts

Cooling System Assembly

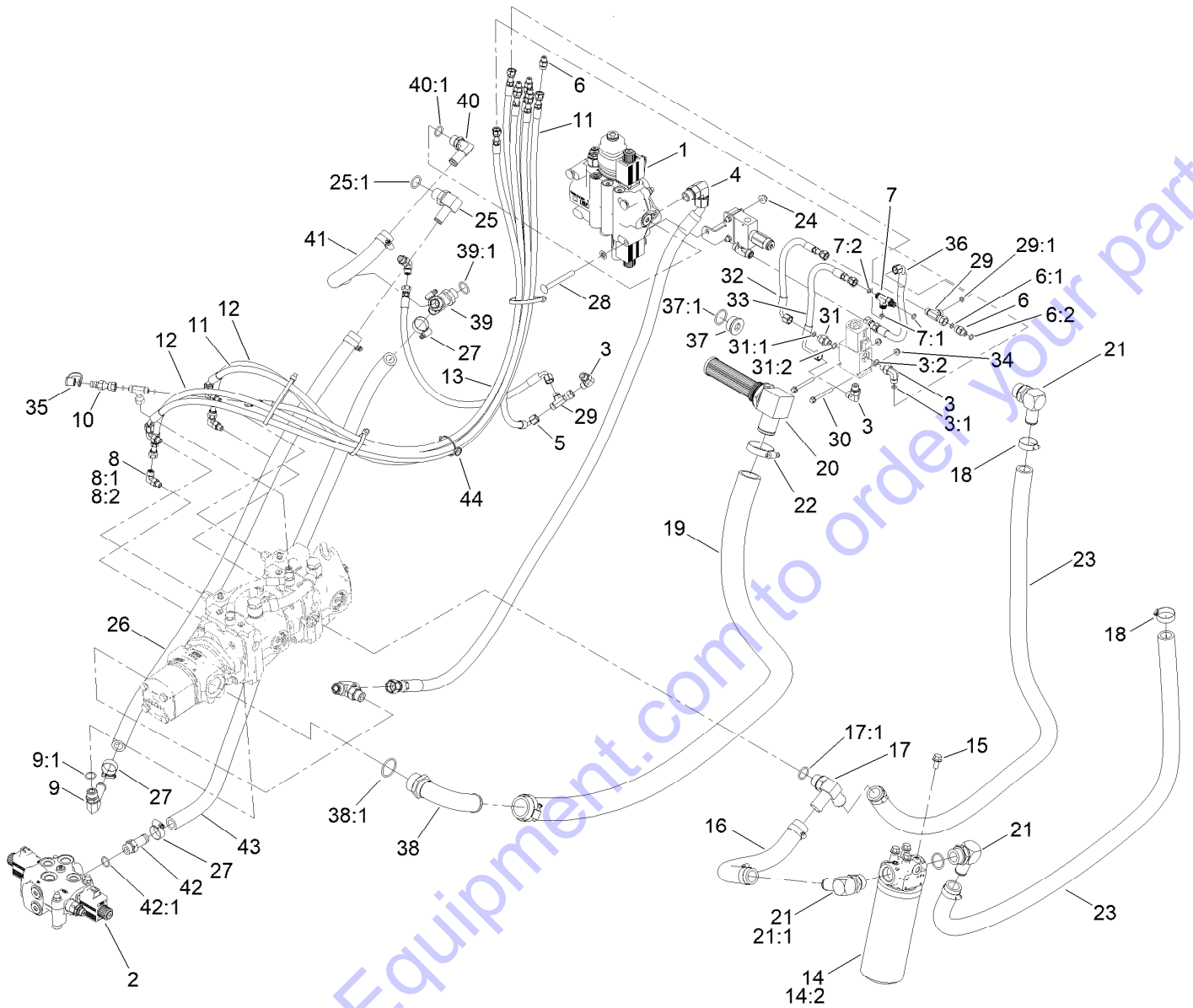


Cooling System Assembly (continued)

<i>Ref.</i>	<i>Part Number</i>	<i>Qty.</i>	<i>Description</i>	<i>Ref.</i>	<i>Part Number</i>	<i>Qty.</i>	<i>Description</i>
1	140-6060	1	Cooling ASM,	10	46-6560	1	Bushing
1:2	93-7814	1	Decal-Danger	11	46-6550	1	Fitting-Elbow, 90 DEG
1:3	93-6681	1	Decal-Warning, Fan	12	321-2	2	Screw-HH
1:4	115-4865	1	Decal-Fill, Radiator	13	108-6344	1	Hose-LP
1:5	106-5976	1	Decal-Warning	14	110-6186	1	Hose-Fuel
2	140-1833	1	Shroud-Radiator	16	92-2379	2	Clamp-Hose
3	115-7721	4	Nut-Clip, U	17	3234-29	4	Screw-HHF
4	140-4492	1	Hose-Radiator	18	119-1422	3	Mount-Isolator
5	140-4510	1	Hose-Radiator	19	144-0762-03	1	Bracket-Cooling, Top
6	2412-3	4	Clamp-Hose	20	144-0766-03	1	Plate-Cooler
8	1-643163	1	Tank-Overflow	21	136-9862	1	Seal-Foam
9	1-643164	1	Cap-Tank, Overflow				

Go to Discount-Equipment.com to order your parts

Principal Hydraulic Assembly

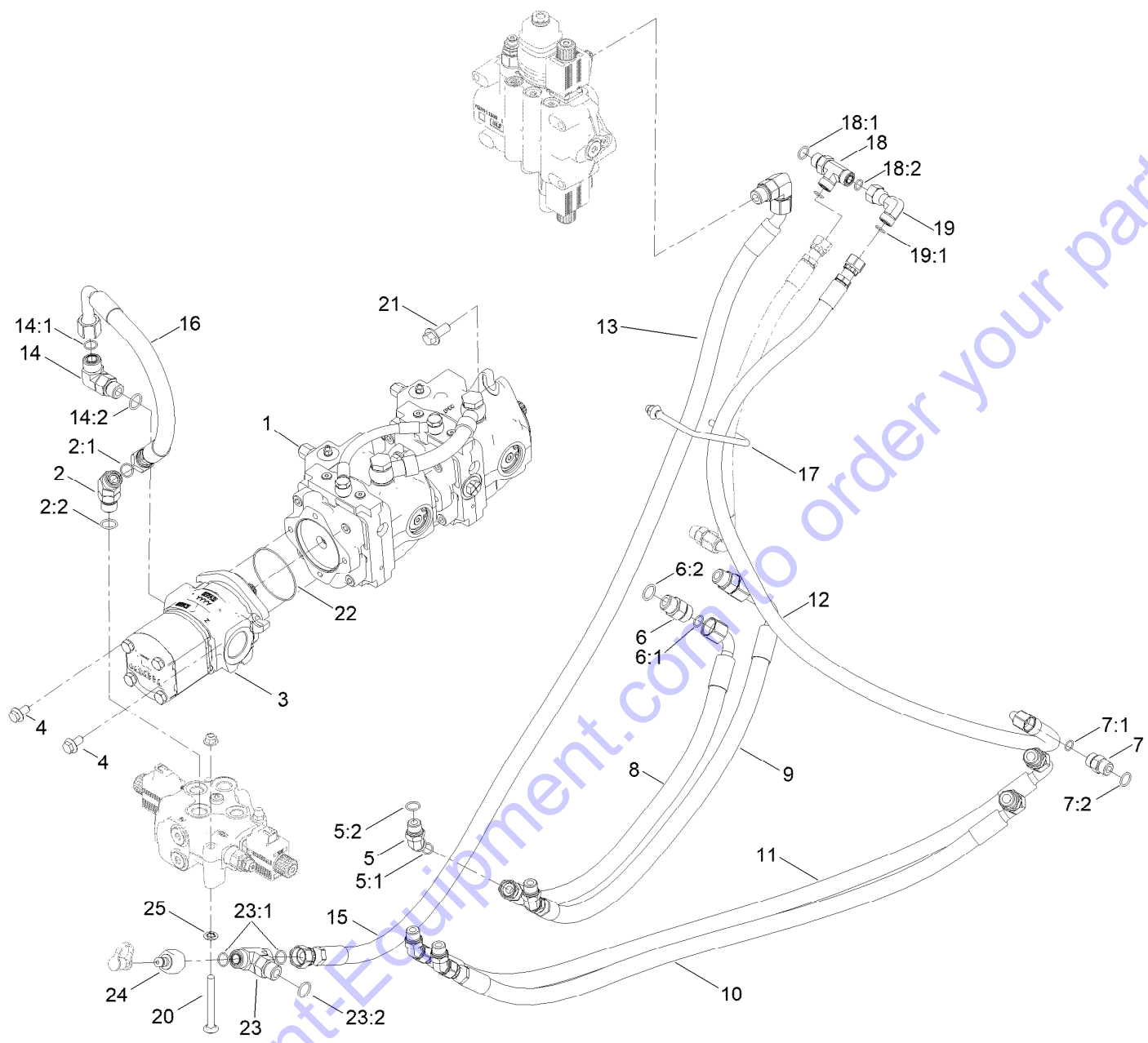


Go to Discount-Equipment.com to order your parts

Principal Hydraulic Assembly (continued)

<i>Ref.</i>	<i>Part Number</i>	<i>Qty.</i>	<i>Description</i>	<i>Ref.</i>	<i>Part Number</i>	<i>Qty.</i>	<i>Description</i>
1	144-4257	1	Loader Valve ASM,	22	2412-92	2	Clamp-Hose
2	139-4737	1	Valve-HYD,	23	140-4481	2	HYD Hose ASM
3	340-82	4	Fitting-Elbow, 90 DEG	24	104-8301	12	Nut-HF, NI
3:1	237-42	1	O-Ring	25	353-987	1	Fitting-Elbow, 90
3:2	237-21	1	O-Ring	25:1	237-81	1	O-Ring
4	140-4489	1	HYD Hose ASM	26	140-4487	1	HYD Hose ASM
5	140-4453	1	HYD Hose ASM	27	2412-129	6	Clamp-Hose
6	340-92	6	Fitting-Straight	28	3231-11	6	Screw-CARR
6:1	237-78	1	O-Ring	29	340-151	2	Fitting-Tee
6:2	237-21	1	O-Ring	29:1	237-21	2	O-Ring
7	340-140	1	Fitting-Tee	30	138-3326	2	Screw-HHF
7:1	237-21	2	O-Ring	31	340-1	1	Fitting-Straight
7:2	237-78	1	O-Ring	31:1	237-21	1	O-Ring
8	340-132	4	Fitting-Elbow, 90 DEG	31:2	237-42	1	O-Ring
8:1	237-78	1	O-Ring	32	144-4413	1	HYD Hose ASM
8:2	237-21	1	O-Ring	33	140-5958	1	HYD Hose ASM
9	87-8170	1	Fitting-90	34	104-7201	6	Nut-HF, NI
9:1	237-80	1	O-Ring	35	354-79	2	Cap-Dust
10	115-8886	1	Nipple-Test	36	140-4460	1	HYD Hose ASM
11	140-4457	2	HYD Hose ASM	37	105-3921	1	Fitting-Plug
12	140-4458	2	HYD Hose ASM	37:1	237-146	1	O-Ring
13	140-4459	1	HYD Hose ASM	38	139-4748	1	Elbow-Suction,
14	139-1010	1	Filter Head ASM	38:1	237-101	1	O-Ring
14:2	94-2621	1	Element-Filter	39	93-6794	1	Fitting-45 DEG
15	3234-1	4	Screw-HHF	39:1	237-81	1	O-Ring
16	140-4480	1	HYD Hose ASM	40	AU217-361	1	Elbow-90
17	AU375462A1	1	Connector	40:1	237-80	1	O-Ring
17:1	237-81	1	O-Ring	41	144-4339	1	HYD Hose
18	2412-34	6	Clamp-Hose	42	354-136	1	Fitting-STR
19	140-4482	1	HYD Hose ASM	42:1	237-80	1	O-Ring
20	140-6070	1	Strainer Fitting ASM	43	144-4351	1	HYD Hose ASM
21	23-8910	3	Stem-Barb-90	44	32180-139	1	Mount-Tie Wrap, Magnetic
21:1	237-146	1	O-Ring				

Tandem Pump Hydraulic Assembly



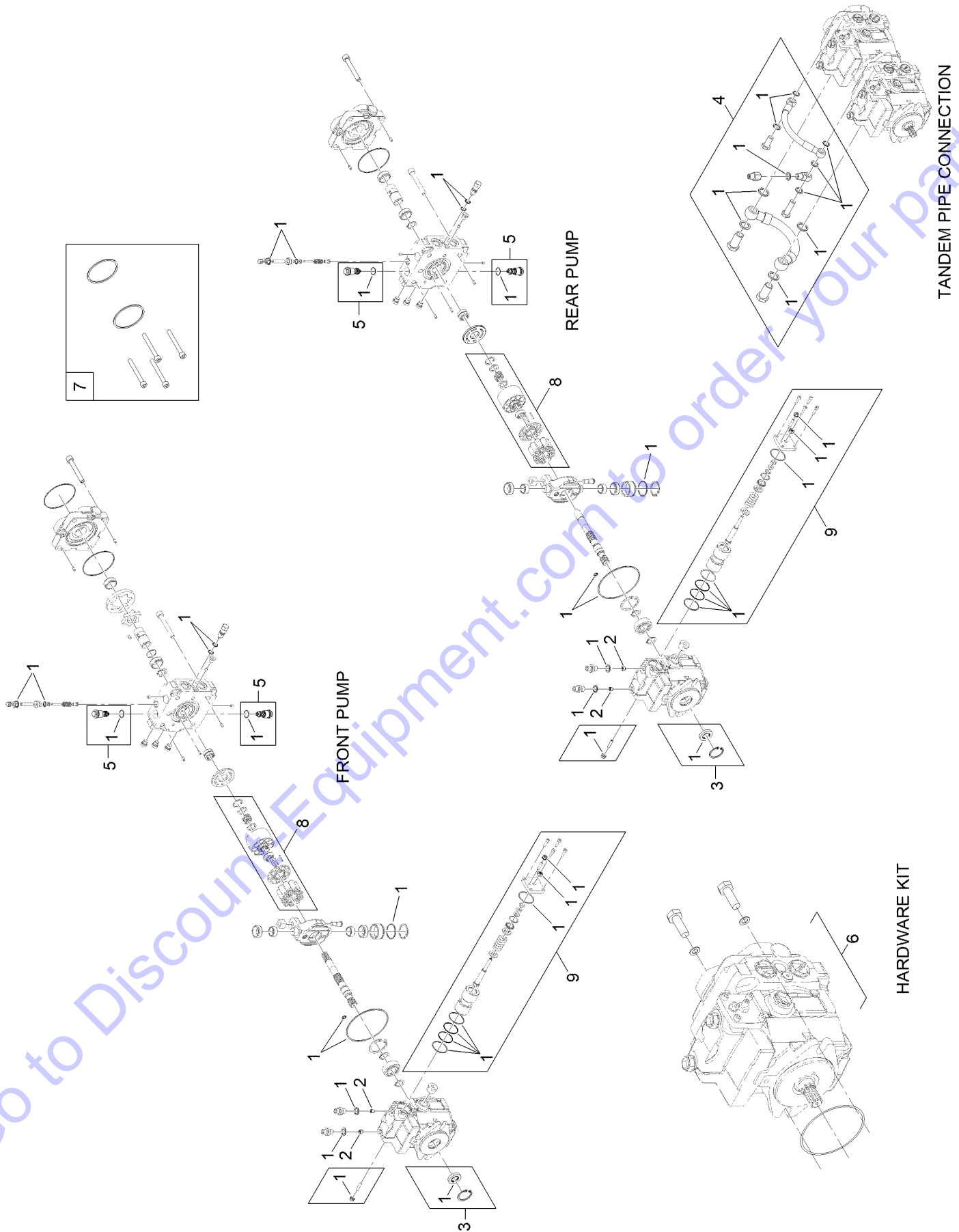
Go to DiscountEquipment.com to order your parts

Tandem Pump Hydraulic Assembly (continued)

<i>Ref.</i>	<i>Part Number</i>	<i>Qty.</i>	<i>Description</i>	<i>Ref.</i>	<i>Part Number</i>	<i>Qty.</i>	<i>Description</i>
1	139-4733	1	Pump-Tandem	13	105-4347	1	Hose-HYD
2	340-14	3	Fitting-HYD, 45 DEG	14	340-17	2	Fitting-Elbow, 90 DEG
2:1	237-65	1	O-Ring	14:1	237-65	1	O-Ring
2:2	237-80	1	O-Ring	14:2	237-80	1	O-Ring
3	139-4755	1	Gear Pump ASM	15	140-4461	1	HYD Hose ASM
4	33105-020	2	Screw-HHF	16	140-4468	1	HYD Hose ASM
5	340-101	4	Fitting-HYD, 45 DEG	17	140-4486	1	Guide-Hose
5:1	237-30	1	O-Ring	18	340-109	1	Fitting-Tee
5:2	237-79	1	O-Ring	18:1	237-79	1	O-Ring
6	340-7	4	Fitting-Straight	18:2	237-30	2	O-Ring
6:1	237-65	1	O-Ring	19	94-6031	1	Elbow-90
6:2	237-80	1	O-Ring	19:1	237-30	1	O-Ring
7	340-4	2	Fitting-Straight	20	133-9682	4	Screw-Hfh
7:1	237-30	1	O-Ring	21	AU100416	2	Screw-Hfh
7:2	237-79	1	O-Ring	22	353-949	1	O-Ring
8	140-4450	1	HYD Hose ASM	23	340-93	1	Tee-Adapter
9	140-4451	1	HYD Hose ASM	23:1	237-65	2	O-Ring
10	140-5977	1	HYD Hose ASM	23:2	237-80	1	O-Ring
11	140-5978	1	HYD Hose ASM	24	86-5860	1	Nipple
12	140-4483	1	HYD Hose ASM	25	107-3154	6	Nut-Push

Go to Discount-Equipment.com to order your parts

Tandem Pump Assembly No. 139-4733

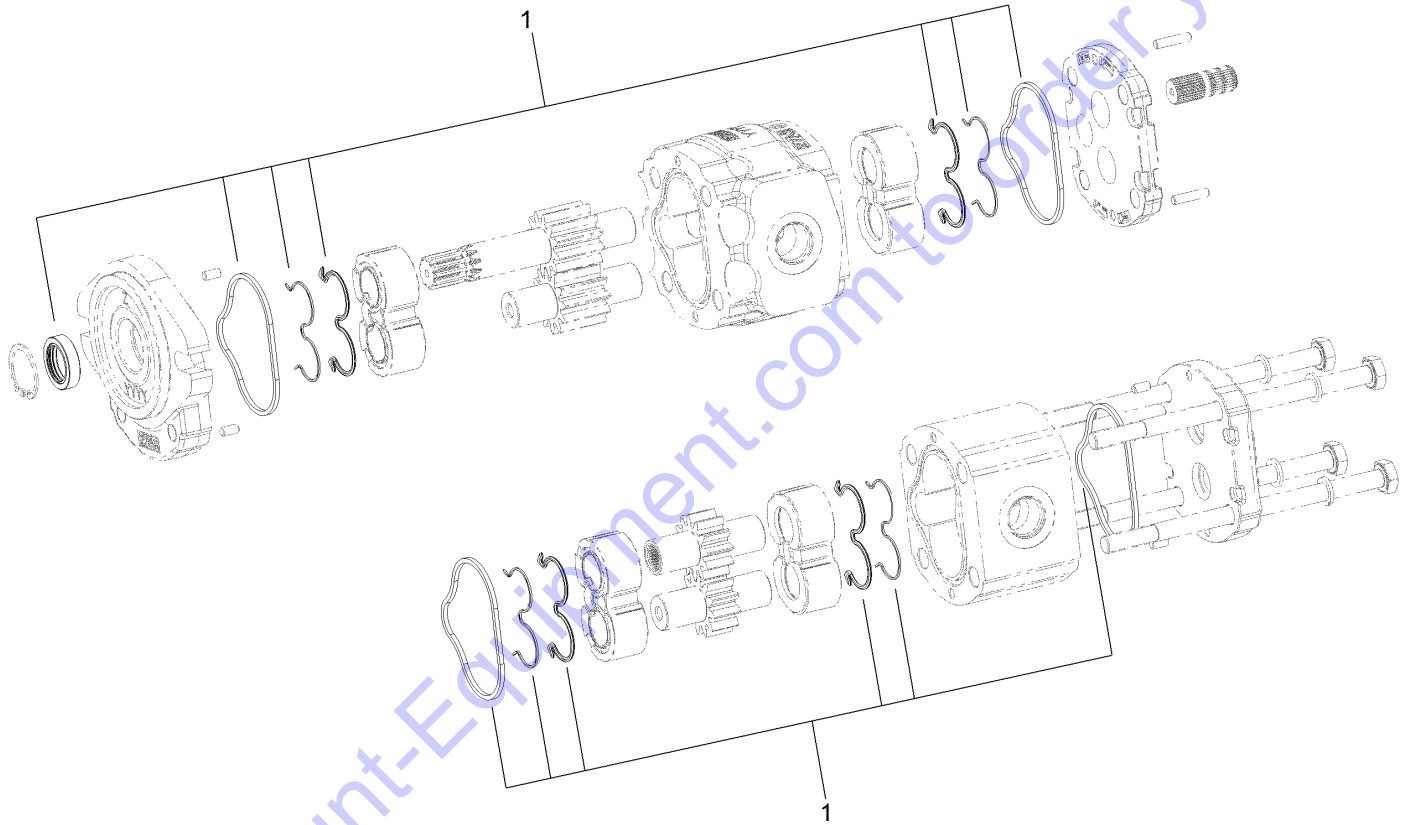


Tandem Pump Assembly No. 139-4733 (continued)

<i>Ref.</i>	<i>Part Number</i>	<i>Qty.</i>	<i>Description</i>	<i>Ref.</i>	<i>Part Number</i>	<i>Qty.</i>	<i>Description</i>
1	132-6041	2	Seal Kit	6	140-5300	1	Hardware Kit
2	132-6042	4	Spacer-Jet	7	144-7363	1	Bolt Kit
3	132-6045	1	Shaft Seal Kit	8	132-6048	2	Rotating Group Kit
4	132-6047	1	Tandem Connection Pipe Kit	9	132-6049	2	HYD Servo Control Kit
5	139-4734	4	Valve-Relief,				

Go to Discount-Equipment.com to order your parts

Hydraulic Gear Pump Assembly No. 139-4755



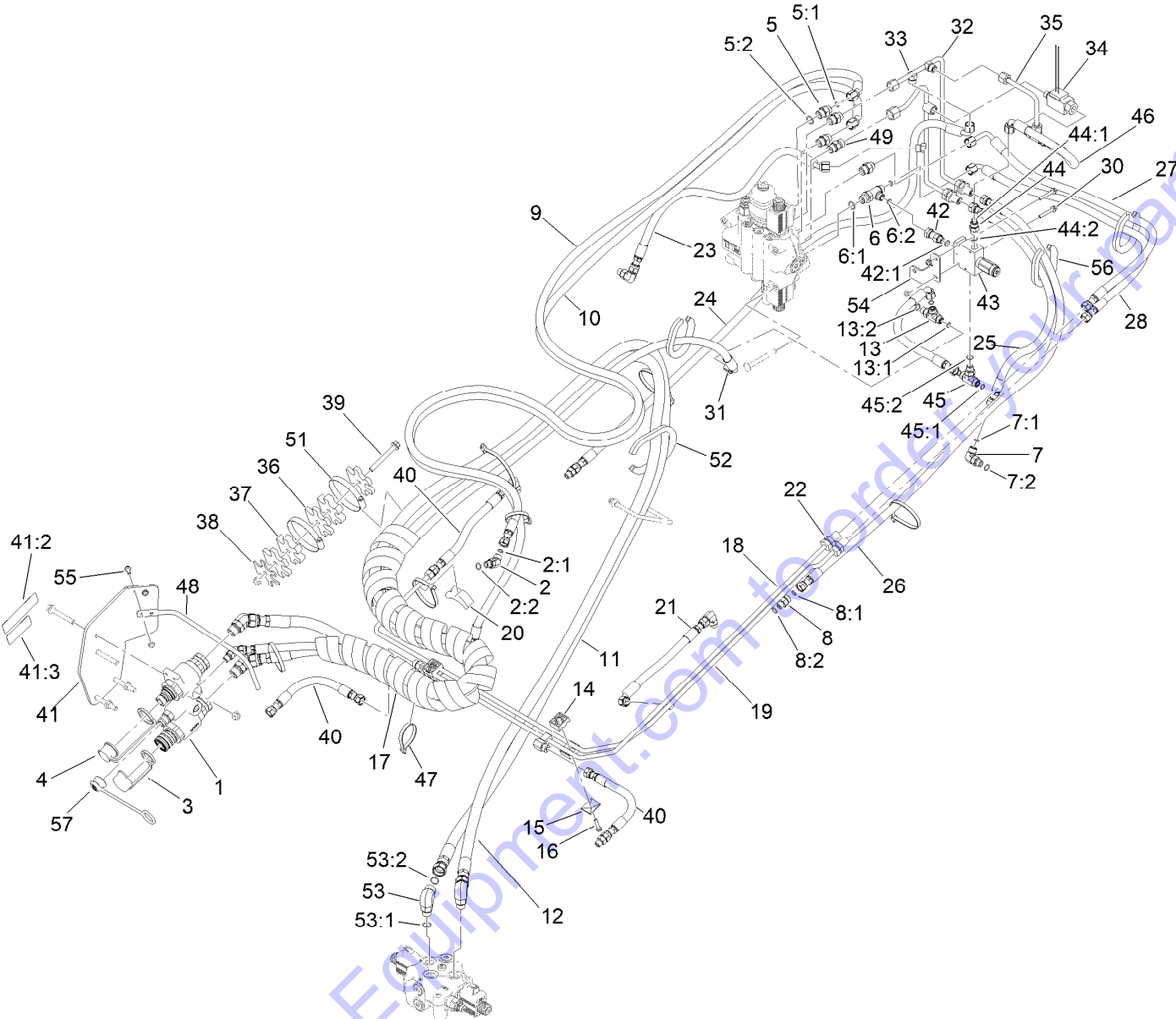
Go to Discount-Equipment.com to order your parts

Hydraulic Gear Pump Assembly No. 139-4755 (continued)

<i>Ref.</i>	<i>Part Number</i>	<i>Qty.</i>	<i>Description</i>
1	139-4757	1	Kit-Seal,

Go to Discount-Equipment.com to order your parts

Manifold Hydraulic Assembly



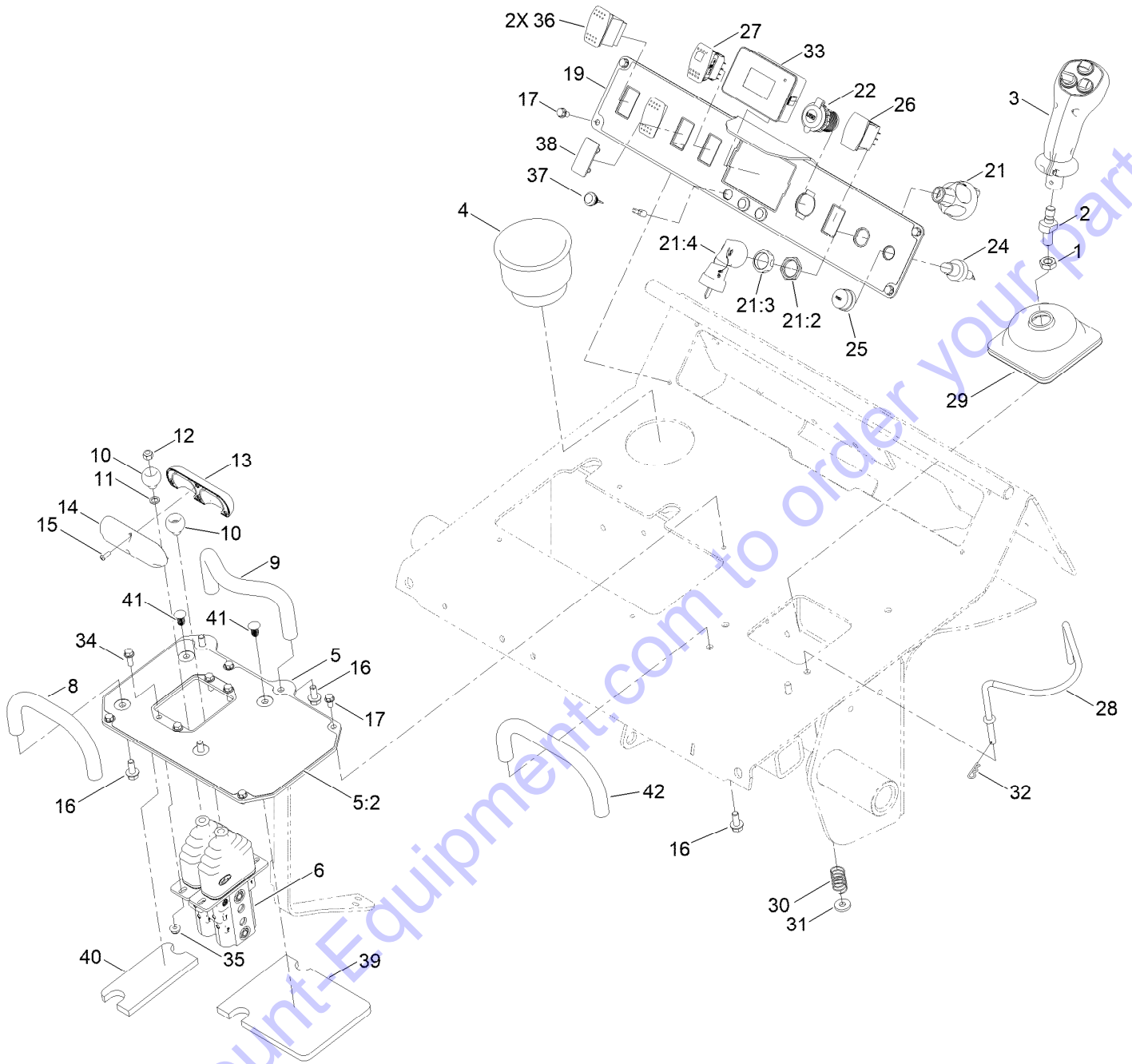
Go to Discount-Equipment.com to order your parts

Manifold Hydraulic Assembly (continued)

Ref.	Part Number	Qty.	Description	Ref.	Part Number	Qty.	Description
1	150-2410	1	Manifold-Qdc	29	158-627	1	Solenoid Valve ●
2	340-87	2	Fitting-Elbow, 45 DEG	30	32105-18	2	Screw-HHF
2:1	237-22	1	O-Ring	31	140-5964	1	HYD Hose ASM
2:2	237-42	1	O-Ring	32	145-4331	1	HYD Tube ASM
3	100-8816	1	Cap-Dust, Coupler	33	145-4332	1	HYD Tube ASM
4	100-8815	1	Cap-Dust, Nipple	34	139-4848	1	Switch-Pressure,
5	340-3	4	Fitting-Straight	35	140-5969	1	HYD Tube ASM
5:1	237-22	1	O-Ring	36	140-6007	3	Clamp-Hose
5:2	237-79	1	O-Ring	37	140-6008	2	Clamp-Hose
6	117-9881	1	Fitting-HYD, Tee	38	140-6045-03	1	Plate-Backer
6:1	237-79	1	O-Ring	39	3234-41	1	Screw-HHF
6:2	237-22	2	O-Ring	40	140-5987	3	HYD Hose ASM
7	340-77	4	Fitting-Elbow, 90 DEG	41	140-6075	1	Mount-Qc
7:1	237-22	1	O-Ring	41:2	115-4855	1	Decal-Caution
7:2	237-42	1	O-Ring	41:3	139-1173	1	Decal-Warning
8	340-2	5	Fitting-Straight	42	104-3779	1	Connector-Swivel, Straight
8:1	237-22	1	O-Ring	42:1	237-42	1	O-Ring
8:2	237-42	1	O-Ring	43	139-4856	1	Valve-Sequence
9	140-4462	1	HYD Hose ASM	44	114-7783	1	Fitting-Straight
10	140-5976	1	HYD Hose ASM	44:1	237-22	1	O-Ring
11	140-4469	1	HYD Hose ASM	44:2	237-42	1	O-Ring
12	140-4470	1	HYD Hose ASM	45	340-94	1	Adapter
13	340-86	2	Fitting-Tee	45:1	237-22	2	O-Ring
13:1	237-22	2	O-Ring	45:2	237-42	1	O-Ring
13:2	237-42	1	O-Ring	46	140-5970	2	HYD Hose ASM
14	137-5275	2	Clamp-Hose	47	3334-945	11	Tie-Cable
15	127-8424	2	Plate-Clamp, Retainer	48	140-6058	1	Guide-Hoses
16	321-13	2	Screw-HH	49	145-4333	1	Valve-Check
17	140-5902	1	Wrap-Hose	50	99-3477	1	Fitting-Tee ●
18	140-5985	1	HYD Tube ASM	50:1	237-21	2	O-Ring ●
19	140-5986	1	HYD Tube ASM	51	144-4255	2	Clamp-Band/Screw
20	137-0146	1	Block-Hardline	52	133-8572	1	Trim-Seal
21	133-1619	1	HYD Hose ASM	53	340-153	2	Fitting-Elbow, 90 DEG
22	340-70	4	Nut-Lock	53:1	237-79	1	O-Ring
23	140-5911	1	HYD Hose ASM	53:2	237-151	1	O-Ring
24	140-5912	1	HYD Hose ASM	54	144-4369-03	1	Bracket-Mount, Valve
25	140-5913	1	HYD Hose ASM	55	115-5103	2	Screw-HHF
26	140-5914	1	HYD Hose ASM	56	133-8571	3	Trim-Seal
27	140-5915	1	HYD Hose ASM	57	131-6069	1	Cap-Dust, Nipple
28	140-6031	1	HYD Hose ASM				

● Not illustrated

Console Assembly



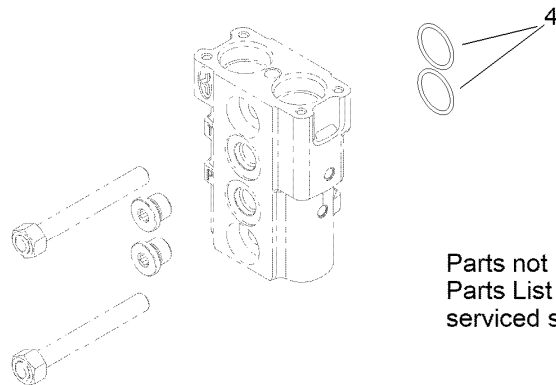
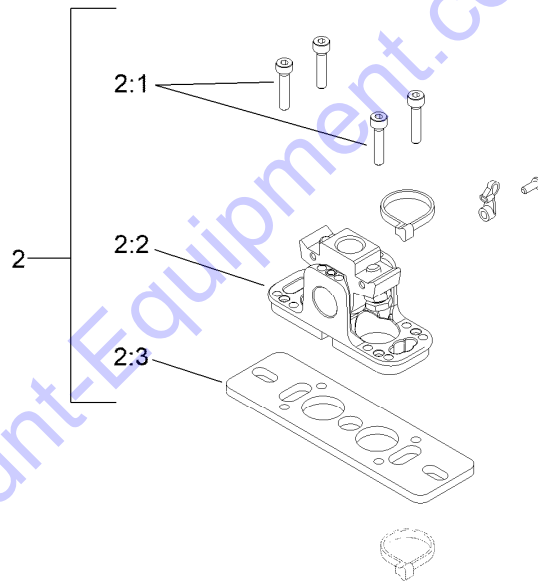
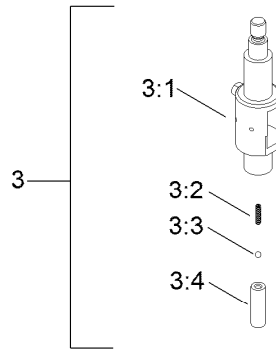
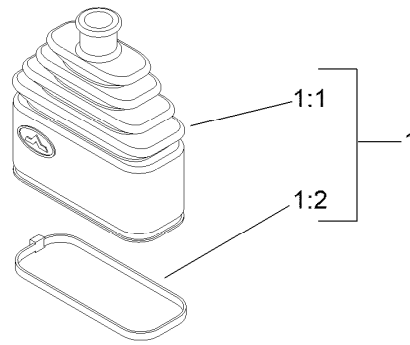
Go to Discount-Equipment.com to order your parts

Console Assembly (continued)

<i>Ref.</i>	<i>Part Number</i>	<i>Qty.</i>	<i>Description</i>	<i>Ref.</i>	<i>Part Number</i>	<i>Qty.</i>	<i>Description</i>
1	51-2070	1	Nut	22	131-8388	1	Socket-USB
2	144-0757	1	Shaft-Control	24	112-3324	1	Switch-Horn
3	139-4736	1	Handle-Joystick,	25	112-3313	1	Nut-Weatherproof
4	AU8EO24121	1	Cup-Holder	26	100-1535	1	Switch-Rocker, (On)-Off-(On)
5	130-5321	1	Plate-Control	27	100-8072	1	Switch-Rocker, On-None-(On)
5:2	131-0708	1	Decal-Control Panel	28	138-2415	1	Rod-Interlock
6	138-0827	1	Valve-Control (Traction)	29	144-0777	1	Boot
8	112-2620	1	Bar-Reference	30	85-6750	1	Spring-Control
9	138-0791	1	Bar-Reference	31	88-7200	1	Washer-Flat
10	130-7723	2	Ball-Traction	32	3290-307	1	Pin-Cotter
11	75-5470	2	Spacer-Bearing	33	122-1201	1	Module-Display
12	3296-42	2	Nut-Lock, NI	34	115-5103	4	Screw-HHF
13	130-7692	1	Handle-Control	35	104-7201	4	Nut-HF, NI
14	131-9162	1	Handle-Traction	36	95-8999	2	Switch
15	94-6961	4	Screw	37	136-9678	3	Switch-Pushbutton
16	3234-5	6	Screw-HHF	38	99-7420	1	Plug-Hole
17	32144-4	8	Screw-HWH	39	132-8414	1	Foam-Shield, Heat
19	140-6061	1	Plate-Controls,	40	132-8415	1	Foam-Shield, Heat
21	121-5159	1	Switch-Ignition	41	133-0875	2	Rivet-Push
21:2	121-5160	1	Nut-Hex	42	145-4400	1	Bar-Reference
21:3	121-5161	1	Nut-Face				
21:4	121-5162	1	Set-Key, Ignition				

Go to Discount-Equipment.com to order your parts

Control Valve Assembly No. 138-0827



Parts not listed in
Parts List are not
serviced separately

Go to DiscountEquipment.com to order your parts

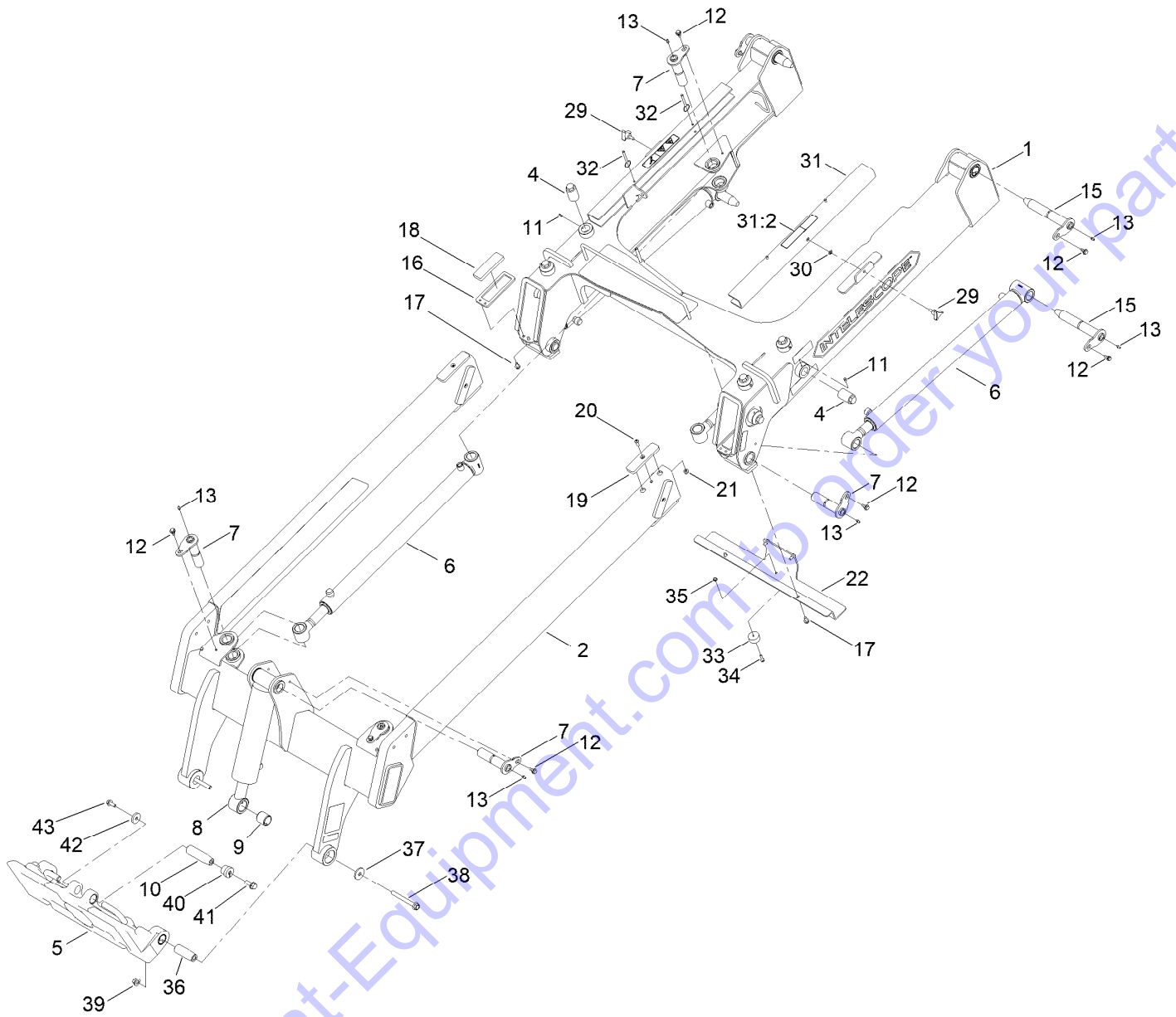
Control Valve Assembly No. 138-0827 (continued)

<i>Ref.</i>	<i>Part Number</i>	<i>Qty.</i>	<i>Description</i>	<i>Ref.</i>	<i>Part Number</i>	<i>Qty.</i>	<i>Description</i>
1	132-6034	2	Bellow Kit	3	132-6037	2	Switch Holder Lever Kit
1:1		1	Bellow-Rubber ●	3:1		1	Lever-Holder, Switch ●
1:2		1	Tie-Cable ●	3:2		1	Spring-Return ●
2	132-6036	2	Fulcrum Kit	3:3		1	Sphere ●
2:1		4	Screw ●	3:4		1	Holder-Spring ●
2:2		1	Support Kit ●	4	100-7246	2	O-Ring
2:3		1	Plate-Mounting ●				

Go to Discount-Equipment.com to order your parts

● Not serviced separately

Loader Arm Hydraulic Assembly

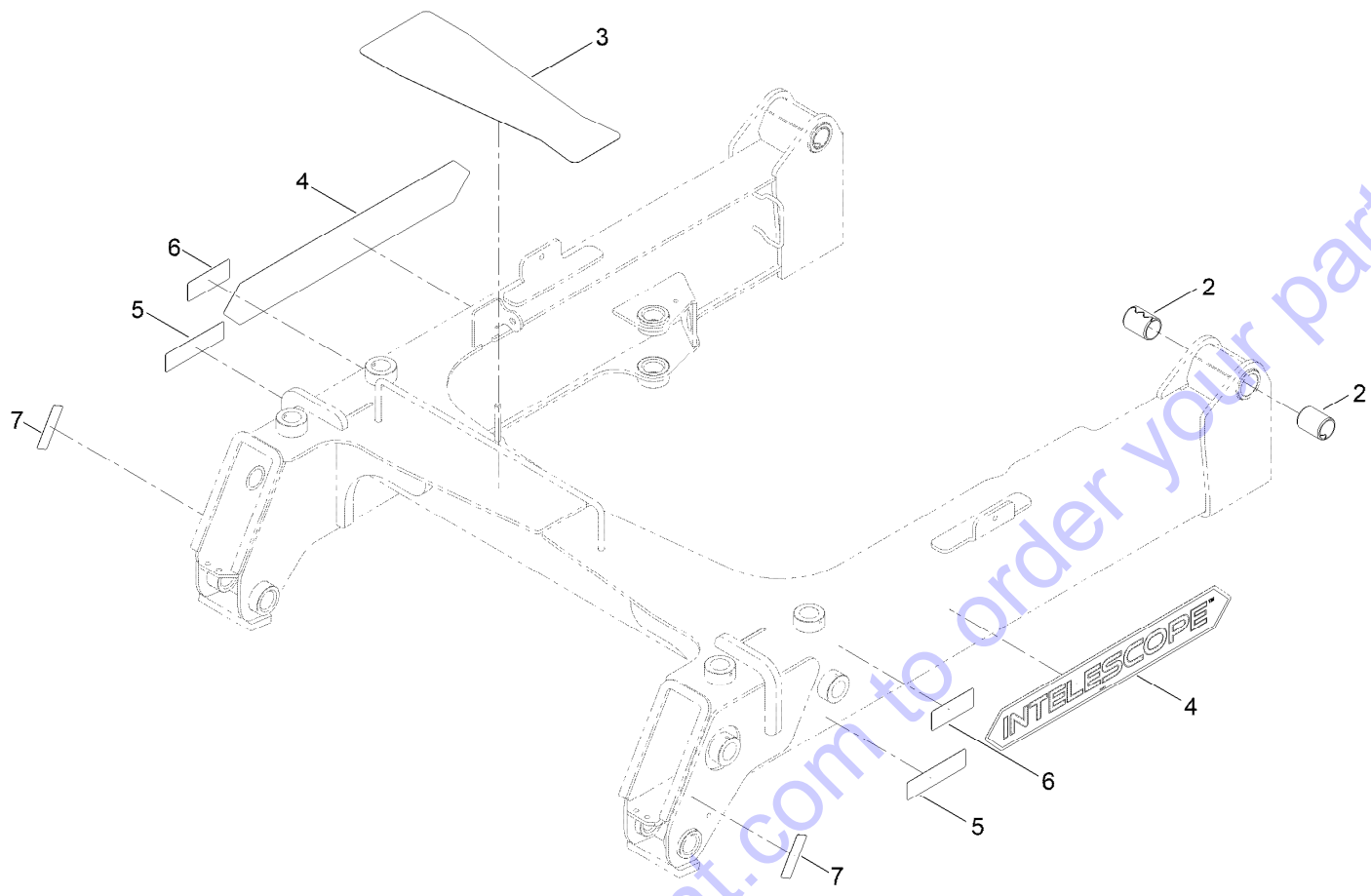


Loader Arm Hydraulic Assembly (continued)

<i>Ref.</i>	<i>Part Number</i>	<i>Qty.</i>	<i>Description</i>	<i>Ref.</i>	<i>Part Number</i>	<i>Qty.</i>	<i>Description</i>
1	140-6062	1	Loader Arm-Upper, ASM	21	104-8300	8	Nut-HF, NI
2	140-6063	1	Loader Arm-Lower, ASM	22	140-4547-03	1	Guard-Hydraulics
4	132-8479	8	Screw-Slide, Adjustment	29	109-3351	2	Knob
5	140-6017	1	Attachment Plate ASM	30	109-5667	2	Nut-Push
6	140-4528	4	HYD Cylinder ASM	31	140-6064	2	Lock-Arm
7	137-0134	7	Flag Pin ASM	31:2	115-4858	2	Decal-Danger
8	140-5951	1	CYL-HYD	32	108-0094	4	Pin-Cotterless
9	139-5737	1	Bushing-Spring	33	94-4548	1	Bumper-Recessed
10	140-6076	1	Pin-Tapered	34	120-4654	1	Screw-HHF
11	126-3824	8	Screw-Set, SQH	35	104-7201	1	Nut-HF, NI
12	99-5105	11	Screw-Shoulder	36	140-6019	2	Pin-Link, Taper
13	302-5	11	Fitting-Grease	37	106-2008	2	Washer-Thrust
15	137-0132	4	Pivot Pin ASM	38	117-3176	2	Screw-HHF
16	140-4544-03	2	Retainer-Pad	39	99-5107	2	Nut-Lock
17	32144-14	8	Screw-HWHTF	40	181-1002	1	Insert-Tapered
18	140-4545	2	Strip-Slide, Lower	41	137-4653	1	Screw-HHF
19	140-4546	8	Strip-Slide,	42	1-543610	1	Washer-Clutch
20	3274-32	8	Screw-HSBH	43	3234-42	1	Screw-HHF

Go to Discount-Equipment.com to order your parts

Upper Loader Arm Assembly No. 140-6062



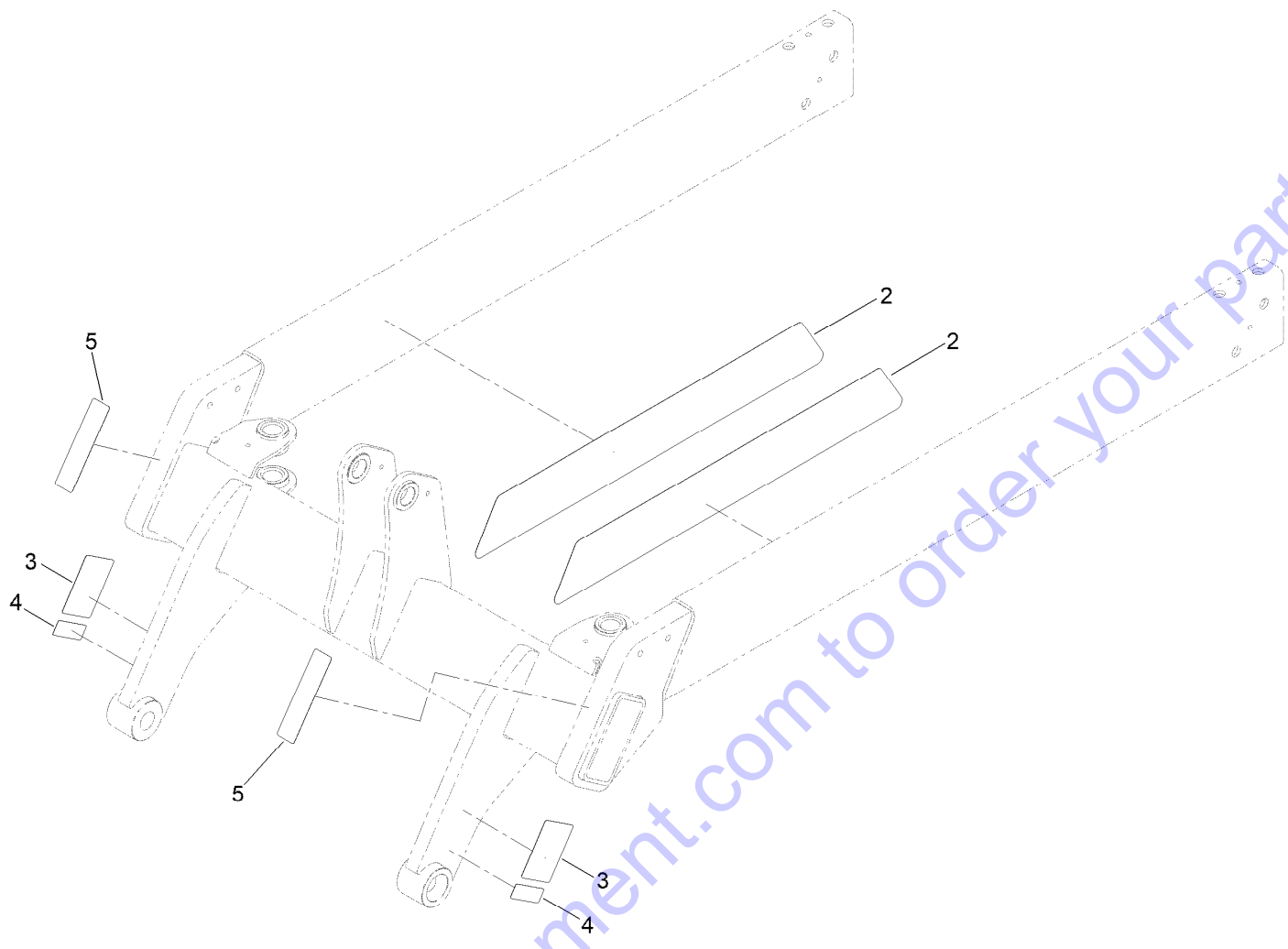
Go to Discount-Equipment.com to order your parts

Upper Loader Arm Assembly No. 140-6062 (continued)

<i>Ref.</i>	<i>Part Number</i>	<i>Qty.</i>	<i>Description</i>	<i>Ref.</i>	<i>Part Number</i>	<i>Qty.</i>	<i>Description</i>
2	137-0126	4	Bushing-Spring	5	139-1158	2	Decal-Warning
3	140-6024	1	Strip - Wear	6	139-1159	2	Decal-Warning
4	139-5711	2	Decal-Intelescope	7	120-0625	2	Decal-Warning

Go to Discount-Equipment.com to order your parts

Lower Loader Arm Assembly No. 140-6063



Go to Discount-Equipment.com to order your parts

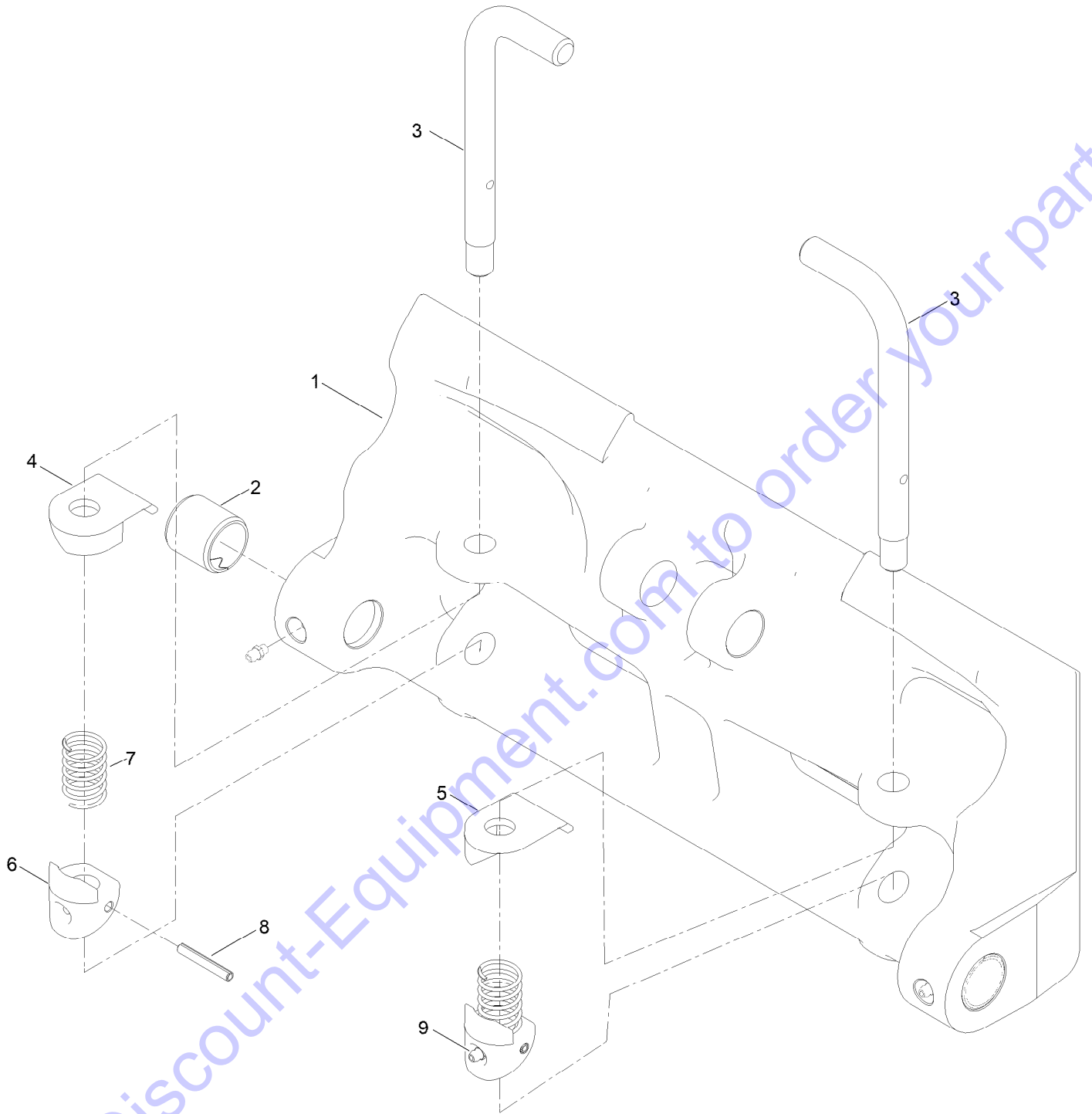
Lower Loader Arm Assembly No. 140-6063 (continued)

<i>Ref.</i>	<i>Part Number</i>	<i>Qty.</i>	<i>Description</i>
2	137-5409	2	Decal-Extension
3	139-1164	2	Decal-Warning

<i>Ref.</i>	<i>Part Number</i>	<i>Qty.</i>	<i>Description</i>
4	120-0625	2	Decal-Warning
5	131-9290	2	Tape-Reflective

Go to Discount-Equipment.com to order your parts

Attachment Plate Assembly No. 140-6017



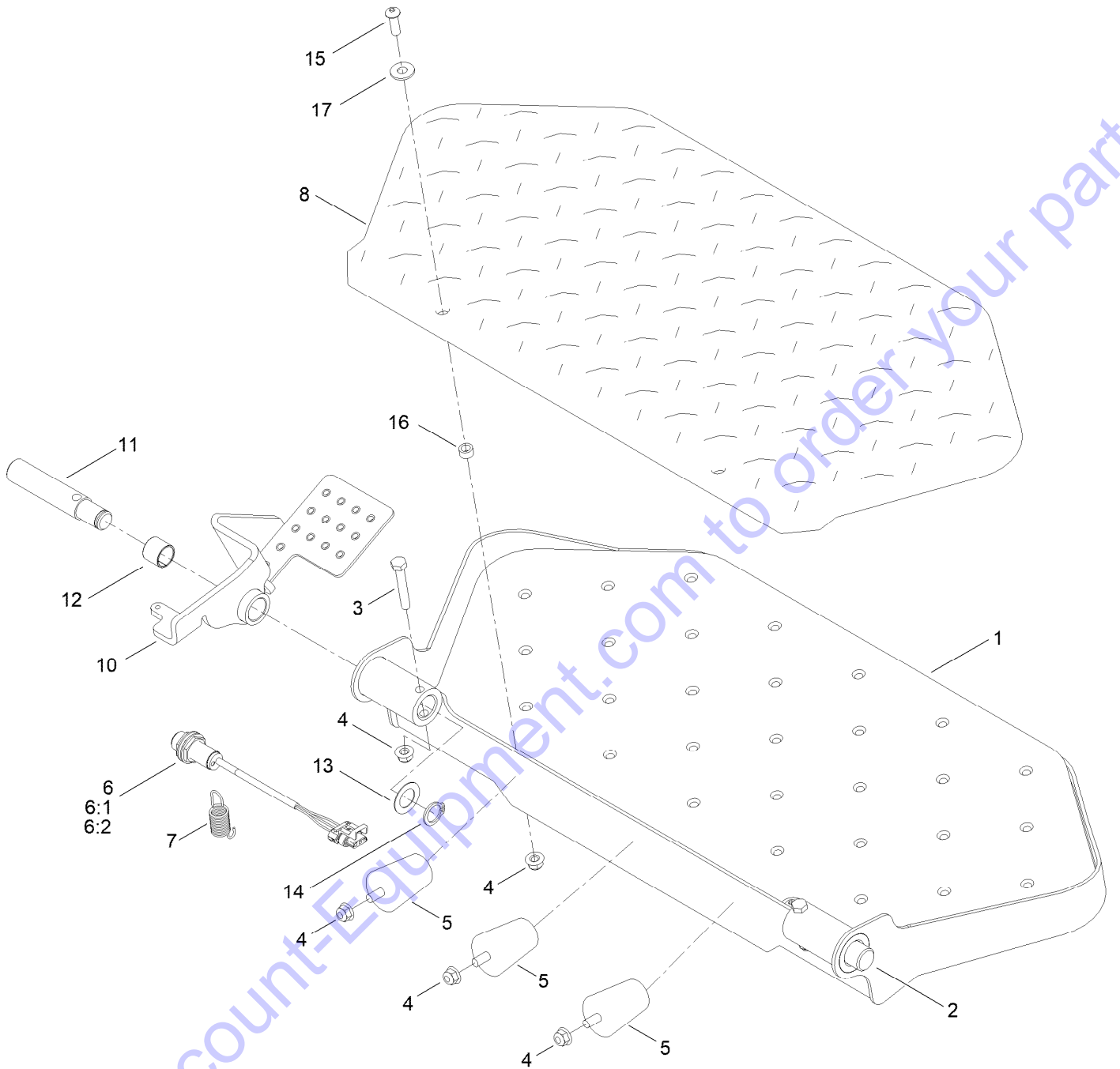
Go to Discount-Equipment.com to order your parts

Attachment Plate Assembly No. 140-6017 (continued)

<i>Ref.</i>	<i>Part Number</i>	<i>Qty.</i>	<i>Description</i>	<i>Ref.</i>	<i>Part Number</i>	<i>Qty.</i>	<i>Description</i>
1	140-5992	1	Qtach	6	140-5981	2	Cam-Qtach
2	139-5737	2	Bushing-Spring	7	100-9782	2	Spring-Compression
3	140-5979	2	Pin-Locking,	8	32121-32	2	Pin-Roll
4	140-5983	1	Stop-Pin, LH	9	302-5	4	Fitting-Grease
5	140-5991	1	Stop-Pin, RH				

Go to Discount-Equipment.com to order your parts

Platform Assembly



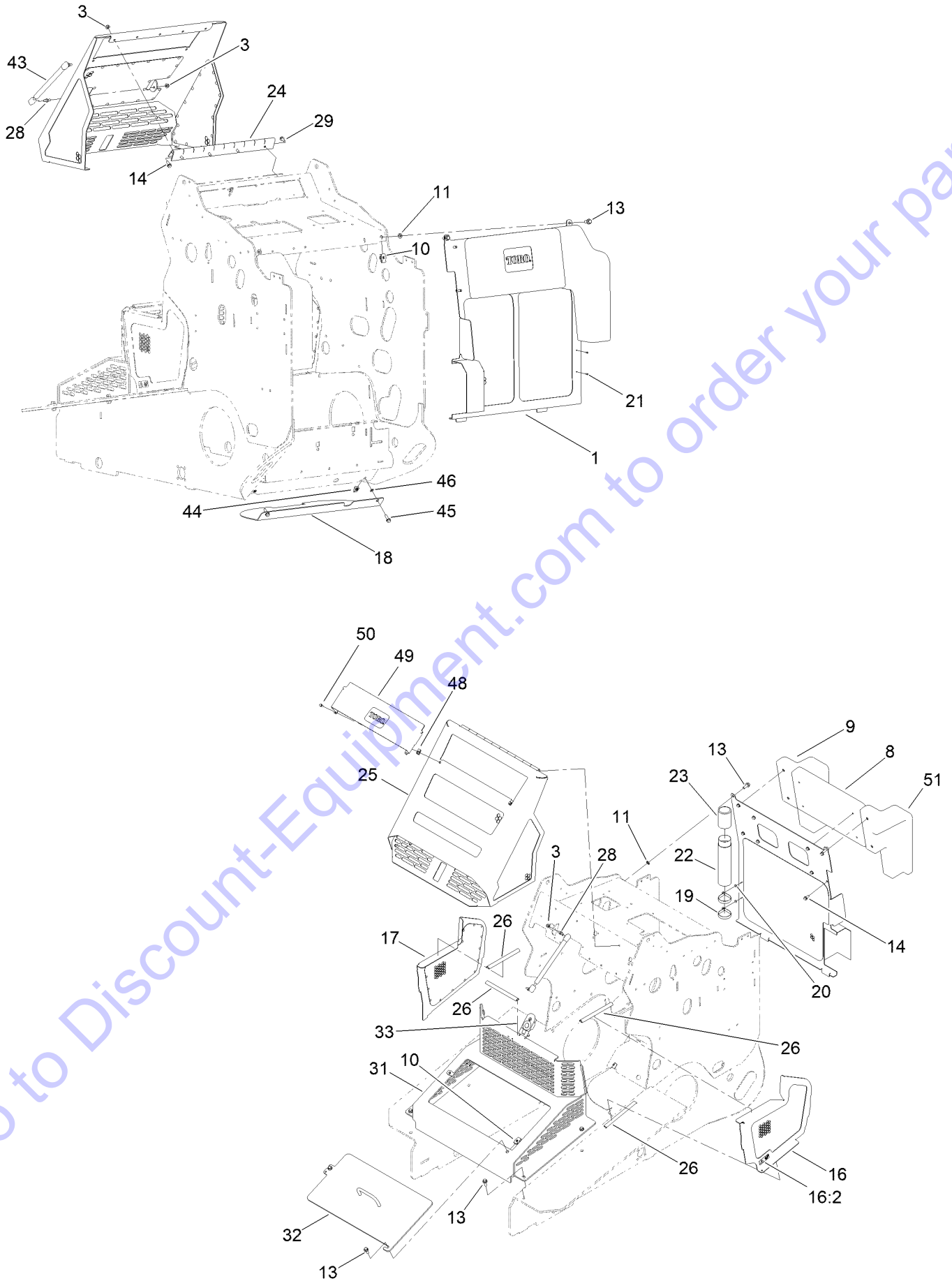
Go to Discount-Equipment.com to order your parts

Platform Assembly (continued)

<i>Ref.</i>	<i>Part Number</i>	<i>Qty.</i>	<i>Description</i>	<i>Ref.</i>	<i>Part Number</i>	<i>Qty.</i>	<i>Description</i>
1	138-2420-03	1	Platform ASM [black]	8	144-4256	1	Pad-Platform
2	125-3749	1	Pin-Cylinder	10	140-1811-03	1	Foot Pedal ASM, [black]
3	322-10	2	Screw-HH	11	140-1814	1	Pin-Pivot
4	104-8300	7	Nut-HF, NI	12	94-9609	1	Bushing-Straight
5	110-5070	3	Bumper	13	9202574	1	Washer-Flat
6	115-5300	1	Proximity Switch ASM	14	32120-93	1	Ring-Retaining
6:1	117-3207	2	Nut-Hex	15	109-4872	2	Screw-HSH
6:2	117-3208	2	Washer-Lock, Internal Tooth	16	85-9120	2	Spacer-Pivot, Tilt
7	137-6189	1	Spring-Extension	17	3256-3	2	Washer-Flat

Go to Discount-Equipment.com to order your parts

Hood and Cover Assembly

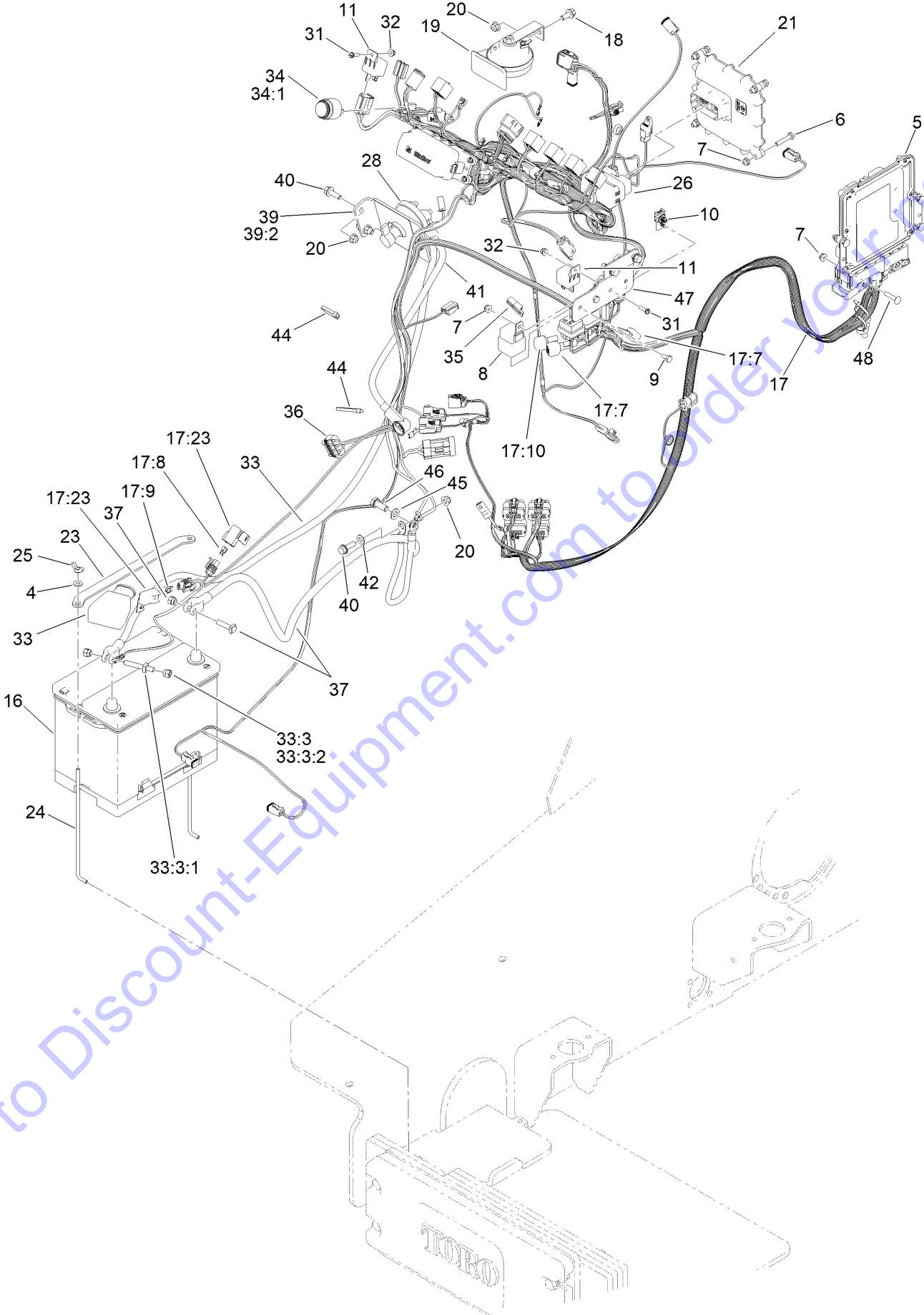


Hood and Cover Assembly (continued)

<i>Ref.</i>	<i>Part Number</i>	<i>Qty.</i>	<i>Description</i>	<i>Ref.</i>	<i>Part Number</i>	<i>Qty.</i>	<i>Description</i>
1	140-6079-03	1	Cover-Rear [black]	24	140-1830	1	Hinge-Hood
3	104-8300	7	Nut-HF, NI	25	140-5940-03	1	Hood [black]
8	140-4499	1	Cushion-Pad	26	140-5942	6	Seal-Bulb
9	140-4500	1	Cushion-Pad	28	103-5752	2	Stud-Ball
10	105-4886	4	Nut-Tinnerman	29	32144-14	4	Screw-HWHTF
11	107-3154	2	Nut-Push	31	140-5928-03	1	Cover-Front [black]
13	3234-42	8	Screw-HHF	32	144-0828-03	1	Front Cover ASM, [black]
14	3234-5	13	Screw-HHF	33	144-4364	1	Latch-Compression, Locking
16	140-6065	1	Cover	43	117-9652	1	Spring-Gas
16:2	115-2047	1	Decal-Surface, Hot	44	115-7721	2	Nut-Clip, U
17	144-4379-03	1	Cover-Side, RH [black]	45	3234-29	2	Screw-HHF
18	140-4506-01	1	Cover-Bottom	46	109-5667	2	Nut-Push
19	2412-120	2	Clamp-R	48	107069	2	Clip
20	3269-10	2	Washer-Back	49	145-4276	1	Hood Scoop ASM
21	3269-17	2	Rivet-Pop	50	32105-15	2	Screw-HWH
22	104-7050	1	Tube-Manual	51	144-0796	1	Cushion-Pad
23	104-7048	1	Cap-Housing				

Go to Discount-Equipment.com to order your parts

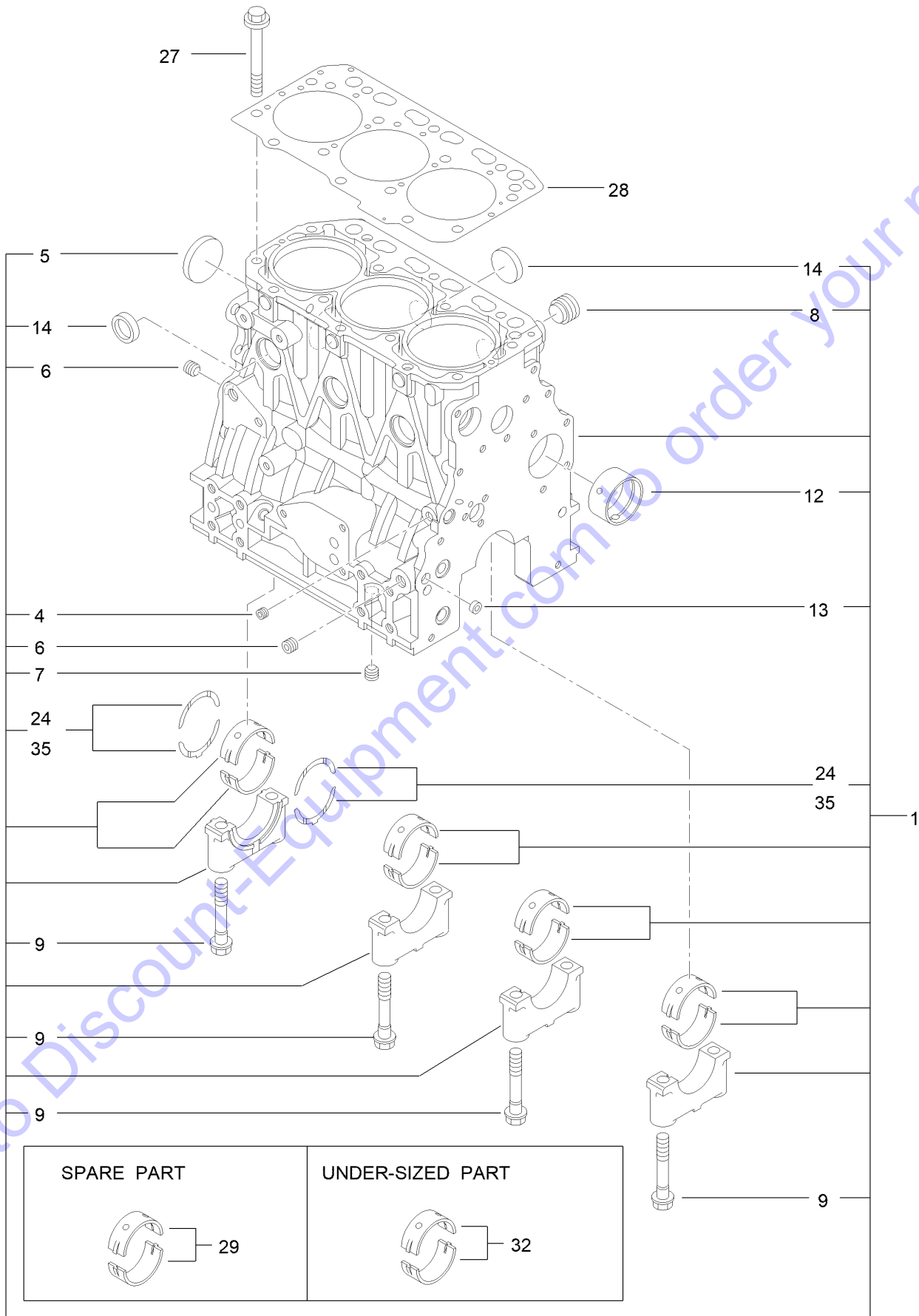
Electrical System Assembly



Electrical System Assembly (continued)

<i>Ref.</i>	<i>Part Number</i>	<i>Qty.</i>	<i>Description</i>	<i>Ref.</i>	<i>Part Number</i>	<i>Qty.</i>	<i>Description</i>
4	3256-22	2	Washer-Flat	28	AUR52278	1	Switch-Disconnect, Master
5	121-5592	1	Electronic Control Unit	31	32105-13	6	Screw-HWH
6	321-13	4	Screw-HH	32	120-4578	6	Nut-HF
7	104-7201	10	Nut-HF, NI	33	122-2244	1	Cable-Battery, Rd ASM
8	99-7430	2	Relay-Mini	33:3	112-9921	1	Bolt ASM
9	321-2	1	Screw-HH	33:3:1	32180-107	1	Bolt-Clamp, Battery
10	32180-103	1	Clip-Connector	33:3:2	32180-108	2	Nut-Clamp, Battery
11	99-7435	2	Relay	34	80-9330	1	Audio Alarm ASM
16	106-5189	1	Battery-12 Volt, Wet	34:1	104-5107	1	Nut-Plastic, Knurled
17	122-2139	1	Harness-Wire, Engine T4	35	136-4862	1	Harness-Wire, Fusible Link
17:7	100-4918	2	Diode	36	99-3441	1	Harness-Wire, Fusible Link
17:8	121-8861	1	Fuse-Mini Blade, 2 Amp	37	105-0115	1	Cable-Battery, Negative
17:9	121-8866	1	Fuse-Mini Blade, 10 Amp	39	145-4283	1	Bracket-Shutoff
17:10	104-4022	1	Resistor-75 Ohm	39:2	131-8026	1	Decal-Battery Disconnect
17:23	32180-101	2	Cover-Fuse, Single	40	3234-29	3	Screw-HHF
18	3234-5	1	Screw-HHF	41	122-2245	1	Cable-Battery, Rd ASM
19	116749	1	Horn	42	120-9683	1	Washer-Plain
20	104-8300	6	Nut-HF, NI	44	3290-378	2	Tie-Cable
21	127-2770	1	Controller	45	33095-00	1	Washer-Flat
23	136-5755-03	1	Strap-Hold Down, Battery	46	33115-025	1	Screw-HH
24	136-5756	2	Rod-Hold Down, Battery	47	144-0795-03	1	Bracket-Relays
25	1-803038	2	Wingnut	48	3229-3	4	Screw-CARR
26	122-2205	1	Harness-Wire, Tx1300				

Cylinder Block Assembly

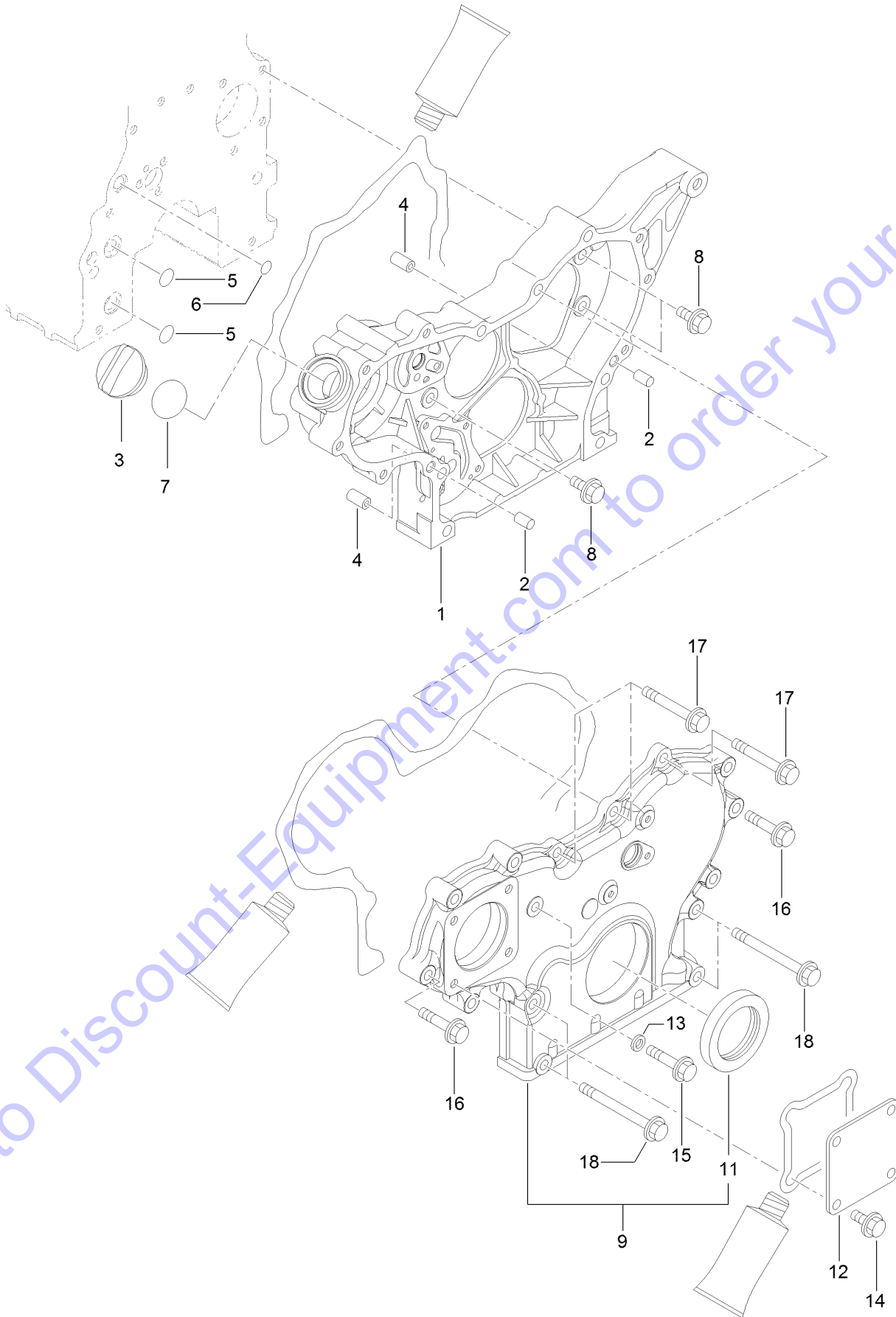


Cylinder Block Assembly (continued)

<i>Ref.</i>	<i>Part Number</i>	<i>Qty.</i>	<i>Description</i>	<i>Ref.</i>	<i>Part Number</i>	<i>Qty.</i>	<i>Description</i>
1	127-4717	1	Cylinder Block ASM	13	125-7237	1	Plug
4	125-6969	1	Plug	14	125-7239	6	Plug
5	125-6980	1	Plug	24	125-7010	2	Metal-Thrust
6	125-6973	2	Plug	27	125-7006	14	Bolt
7	125-6973	1	Plug	28	127-4716	1	Head Gasket ASM
8	125-7170	1	Plug	29	125-6981	4	Metal-Main
9	125-7007	8	Bolt	32	125-7009	4	Metal-Main (0.25)
12	125-7108	1	Bushing	35	125-7011	1	Metal-Thrust (0.25)

Go to Discount-Equipment.com to order your parts

Gear Housing Assembly



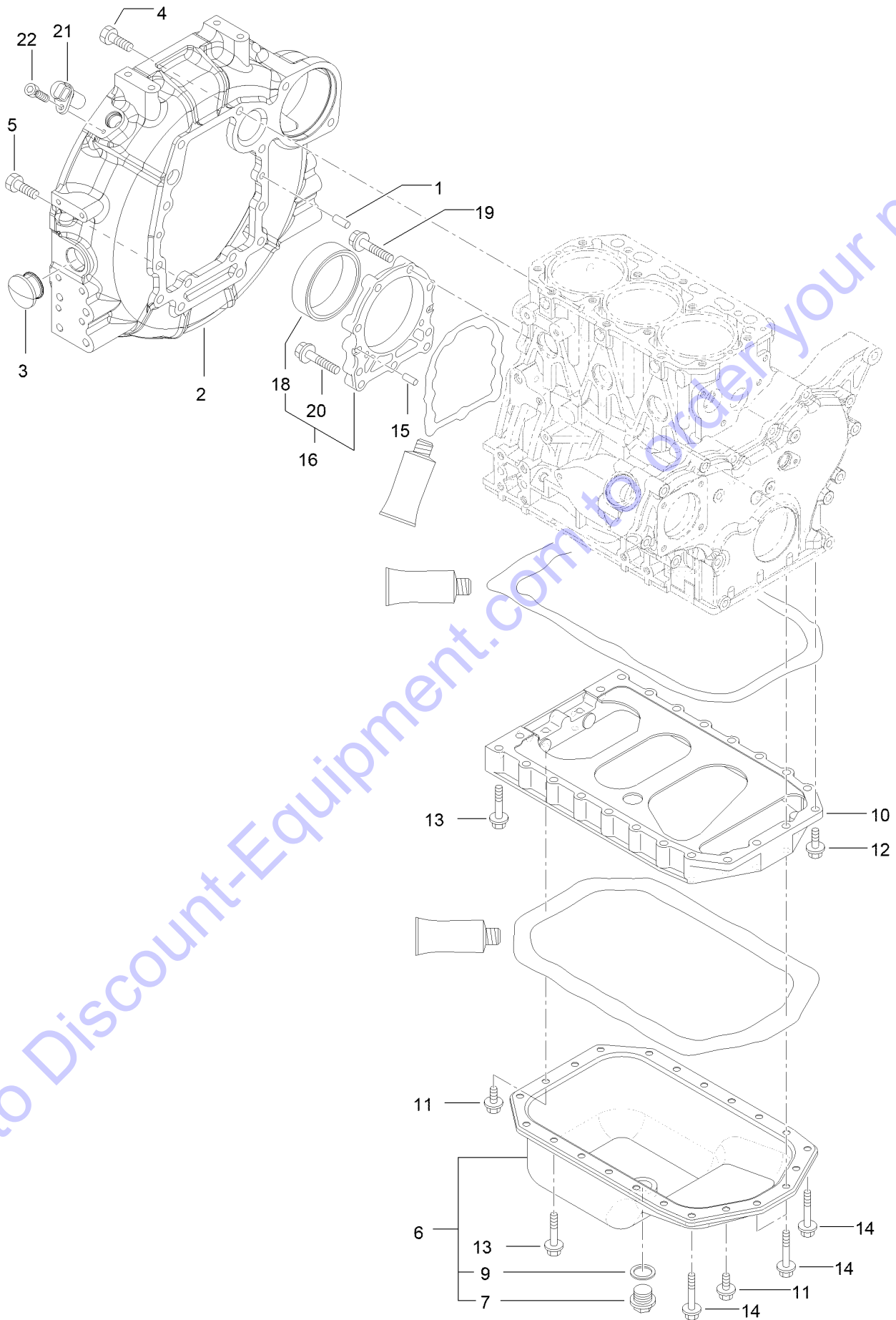
Go to Discount-Equipment.com to order your parts

Gear Housing Assembly (continued)

<i>Ref.</i>	<i>Part Number</i>	<i>Qty.</i>	<i>Description</i>	<i>Ref.</i>	<i>Part Number</i>	<i>Qty.</i>	<i>Description</i>
1	127-3023	1	Case-Gear	11	125-6944	1	Seal-Oil
2	125-6995	2	Pin	12	125-6977	1	Cover
3	125-6972	1	Cover-Filler	13	125-7174	1	Washer-Seal
4	125-7107	2	Pipe	14	100-6928	4	Bolt
5	125-6909	2	O-Ring	15	125-7217	1	Bolt
6	127-2973	1	O-Ring	16	125-7218	7	Bolt
7	125-7197	1	O-Ring	17	125-7222	3	Bolt
8	100-6928	3	Bolt	18	125-7224	4	Bolt
9	127-3024	1	Gearcase Cover ASM				

Go to Discount-Equipment.com to order your parts

Flywheel Housing and Oil Sump Assembly



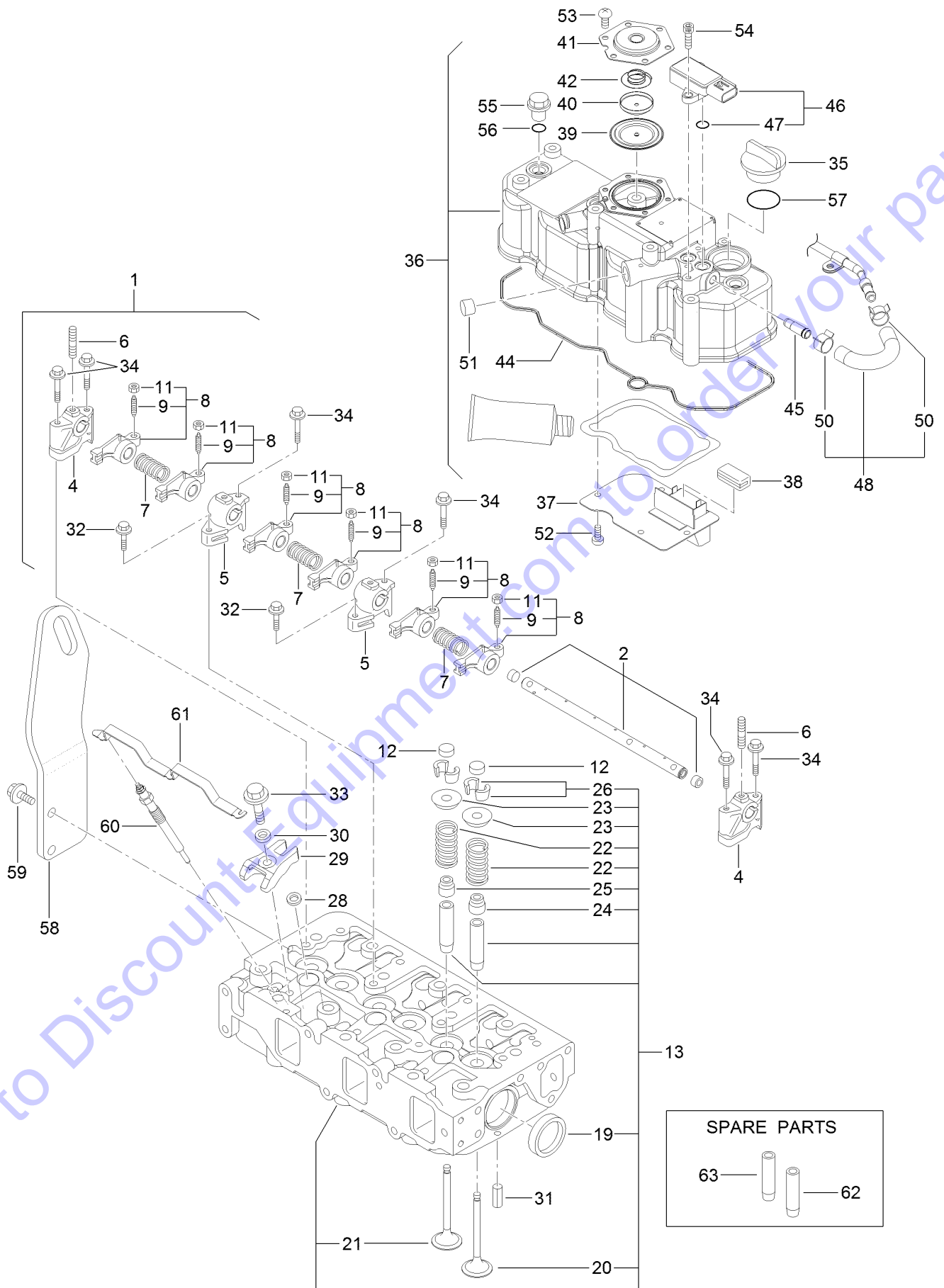
Go to Discount-Equipment.com to order your parts

Flywheel Housing and Oil Sump Assembly (continued)

<i>Ref.</i>	<i>Part Number</i>	<i>Qty.</i>	<i>Description</i>	<i>Ref.</i>	<i>Part Number</i>	<i>Qty.</i>	<i>Description</i>
1	125-6995	2	Pin	12	125-7215	2	Bolt
2	127-3025	1	Housing-Flywheel	13	125-7219	16	Bolt
3	125-6910	1	Cap	14	125-7220	4	Bolt
4	125-7226	6	Bolt	15	125-6995	2	Pin
5	125-7227	4	Bolt	16	125-6996	1	Case ASM
6	127-3755	1	Oil Pan ASM	18	125-7106	1	Seal-Oil
7	125-6912	1	Plug-Drain	19	125-7045	6	Bolt
9	125-7177	1	Washer-Seal	20	125-7217	3	Bolt
10	127-3756	1	Spacer	21	127-3062	1	Sensor-Rev, Flywheel
11	100-6928	4	Bolt	22	127-3184	1	Bolt

Go to Discount-Equipment.com to order your parts

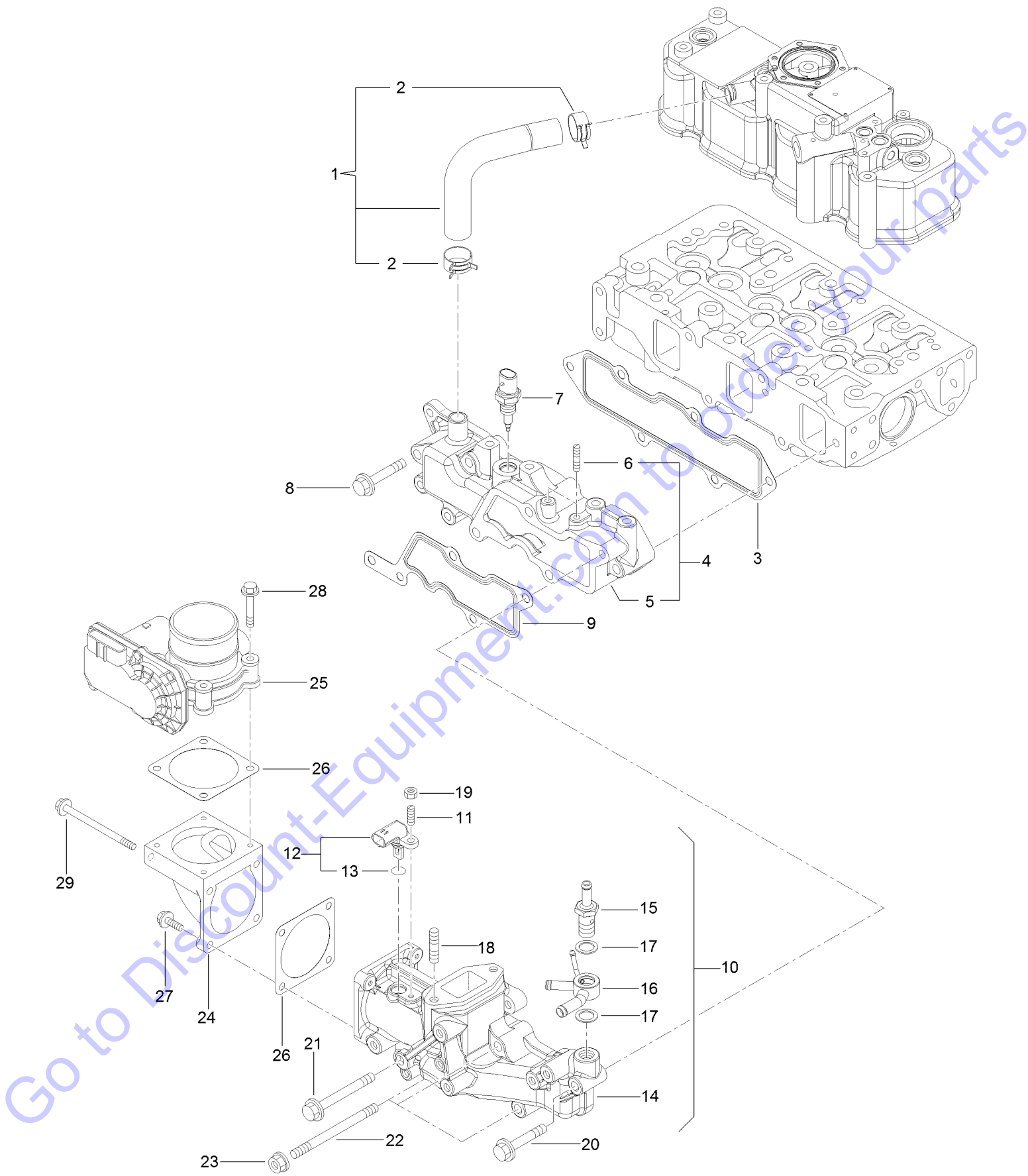
Cylinder Head and Cover Assembly



Cylinder Head and Cover Assembly (continued)

<i>Ref.</i>	<i>Part Number</i>	<i>Qty.</i>	<i>Description</i>	<i>Ref.</i>	<i>Part Number</i>	<i>Qty.</i>	<i>Description</i>
1	127-3757	1	Shaft ASM	36	127-4719	1	Cylinder Head Cover ASM
2	127-3758	1	Shaft	37	127-2988	1	Plate
4	127-2974	2	Support	38	125-7012	1	Baffle
5	127-2975	2	Support	39	125-6959	1	Diaphragm
6	127-3759	3	Stud	40	125-6960	1	Plate
7	127-2995	3	Spring	41	125-6961	1	Plate-Breather
8	127-2989	6	Arm-Rocker	42	125-6962	1	Spring-Diaphragm
9	125-7013	6	Screw-Adjust, Valve	44	127-3856	1	Gasket-Valve Cover
11	125-7014	6	Nut	45	127-3026	1	Joint
12	127-2996	6	Cap-Valve	46	127-3029	1	Sensor-Pressure
13	127-4720	1	Cylinder Head ASM	47	127-3032	2	O Ring-Sensor, Pressure
19	125-7240	2	Plug	48	127-3040	1	Hose ASM
20	127-2990	3	Valve	50	127-3041	2	Clip-Hose
21	127-4710	3	Valve	51	125-6913	1	Plug
22	127-3012	6	Spring	52	125-7186	4	Screw
23	127-3013	6	Retainer-Spring	53	125-7186	6	Screw
24	127-2986	3	Seal-Stem, Valve	54	127-3184	2	Bolt
25	127-3027	3	Seal-Stem, Valve	55	125-6974	3	Knob
26	127-3186	6	Pin-Cotter	56	93-0418	3	O-Ring
28	127-3021	3	Gasket-Injector	57	125-7197	1	O-Ring
29	127-3028	3	Retainer-Injector	58	125-7111	1	Lifter
30	127-2980	3	Washer-Injector	59	100-6928	2	Bolt
31	125-7184	2	Pin-Spring	60	127-2991	3	Plug-Glow
32	125-7215	2	Bolt	61	127-3768	1	Connector-Plug, Glow
33	125-7217	3	Bolt	62	127-2979	3	Guide
34	125-7220	6	Bolt	63	127-2997	3	Guide-Valve
35	125-6972	1	Cover-Filler				

Suction Manifold Assembly

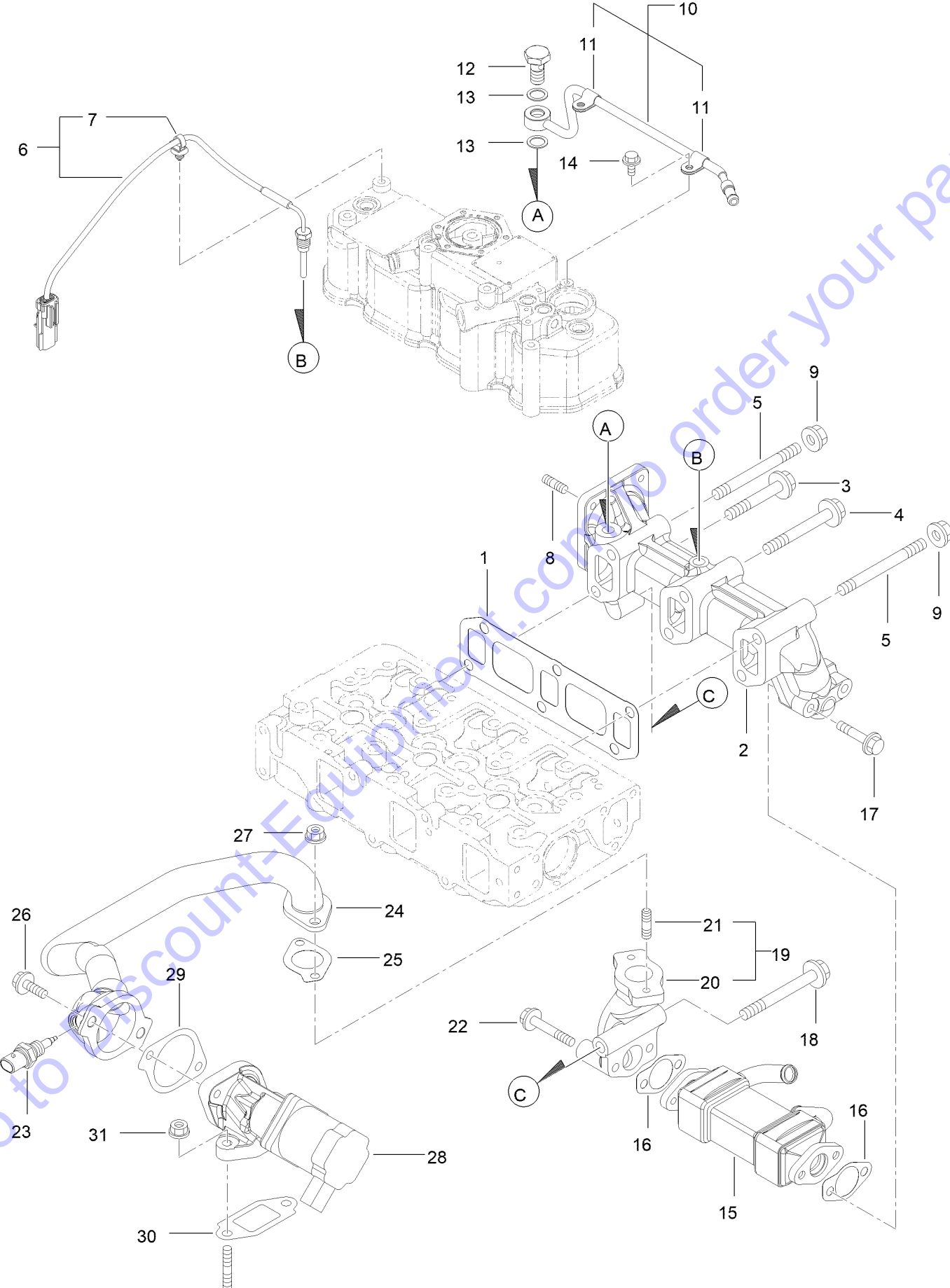


Suction Manifold Assembly (continued)

<i>Ref.</i>	<i>Part Number</i>	<i>Qty.</i>	<i>Description</i>	<i>Ref.</i>	<i>Part Number</i>	<i>Qty.</i>	<i>Description</i>
1	127-4704	1	Pipe	16	127-3081	1	Joint-Hose
2	125-7040	2	Clip-Hose	17	127-3166	2	Washer-Seal
3	127-3857	1	Gasket-Manifold, Intake	18	127-4774	2	Stud
4	127-4722	1	Intake Manifold ASM	19	127-4775	1	Nut
5	127-4721	1	Manifold-Intake	20	125-7220	1	Bolt
6	127-3180	2	Stud	21	127-3178	1	Bolt
7	127-3031	1	Sensor-Temp, Air	22	127-3182	3	Stud
8	125-7220	3	Bolt	23	125-7229	3	Nut
9	127-3034	1	Gasket-Collector	24	127-3035	1	Bend-Inlet
10	127-4725	1	Intake Collector ASM	25	127-3036	1	Body-Throttle
11	127-4701	1	Stud	26	127-3037	2	Gasket-Throttle
12	127-3030	1	Sensor-Temp, Air	27	125-7209	2	Bolt
13	127-3033	1	O-Ring	28	125-7211	4	Bolt
14	127-4724	1	Collector-Intake	29	127-3177	2	Bolt
15	127-3080	1	Joint-Hose				

Go to Discount-Equipment.com to order your parts

Exhaust Manifold Assembly



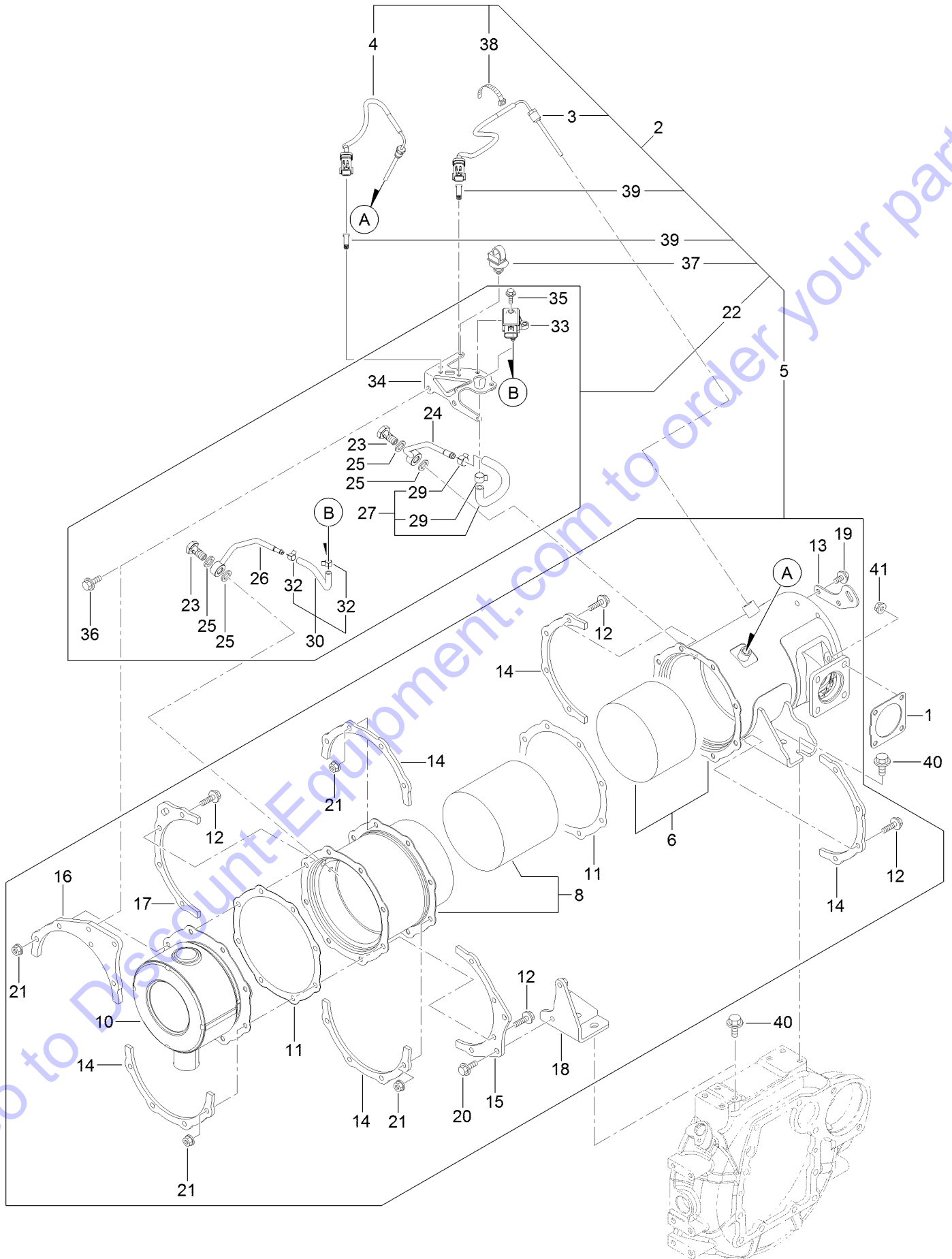
Go to DiscountEquipment.com to order your parts

Exhaust Manifold Assembly (continued)

<i>Ref.</i>	<i>Part Number</i>	<i>Qty.</i>	<i>Description</i>	<i>Ref.</i>	<i>Part Number</i>	<i>Qty.</i>	<i>Description</i>
1	127-3775	1	Gasket-Manifold, Exhaust	17	127-2976	2	Bolt
2	127-4727	1	Manifold-Exhaust	18	127-3022	1	Bolt-Flange
3	127-3776	1	Bolt-Flange	19	127-3048	1	E G R Pipe ASM
4	127-3044	3	Bolt-M10	20	127-3049	1	Pipe-Out, E G R
5	127-4756	2	Stud	21	125-7043	2	Stud
6	127-4728	1	Sensor-Temp, Exhaust	22	125-7220	2	Bolt
7	127-3087	1	Band-Clip	23	127-3047	1	Sensor-Gas Temp, E G R
8	125-7043	4	Stud	24	127-3780	1	E G R Pipe ASM
9	125-7230	2	Nut	25	127-3016	1	Gasket
10	127-3038	1	Exhaust Pipe ASM	26	125-7215	2	Bolt
11	127-3173	2	Clamp	27	125-7229	2	Nut
12	127-3039	1	Bolt-Joint, Pipe	28	127-3781	1	Valve-E G R
13	127-3174	2	Gasket	29	127-3050	1	Gasket-Intake Valve, E G R
14	125-7206	2	Bolt	30	127-3051	1	Gasket-Out Valve, E G R
15	127-3042	1	Cooler-E G R	31	125-7229	2	Nut
16	127-3043	2	Gasket-Cooler, E G R				

Go to Discount-Equipment.com to order your parts

Diesel Particulate Filter Assembly

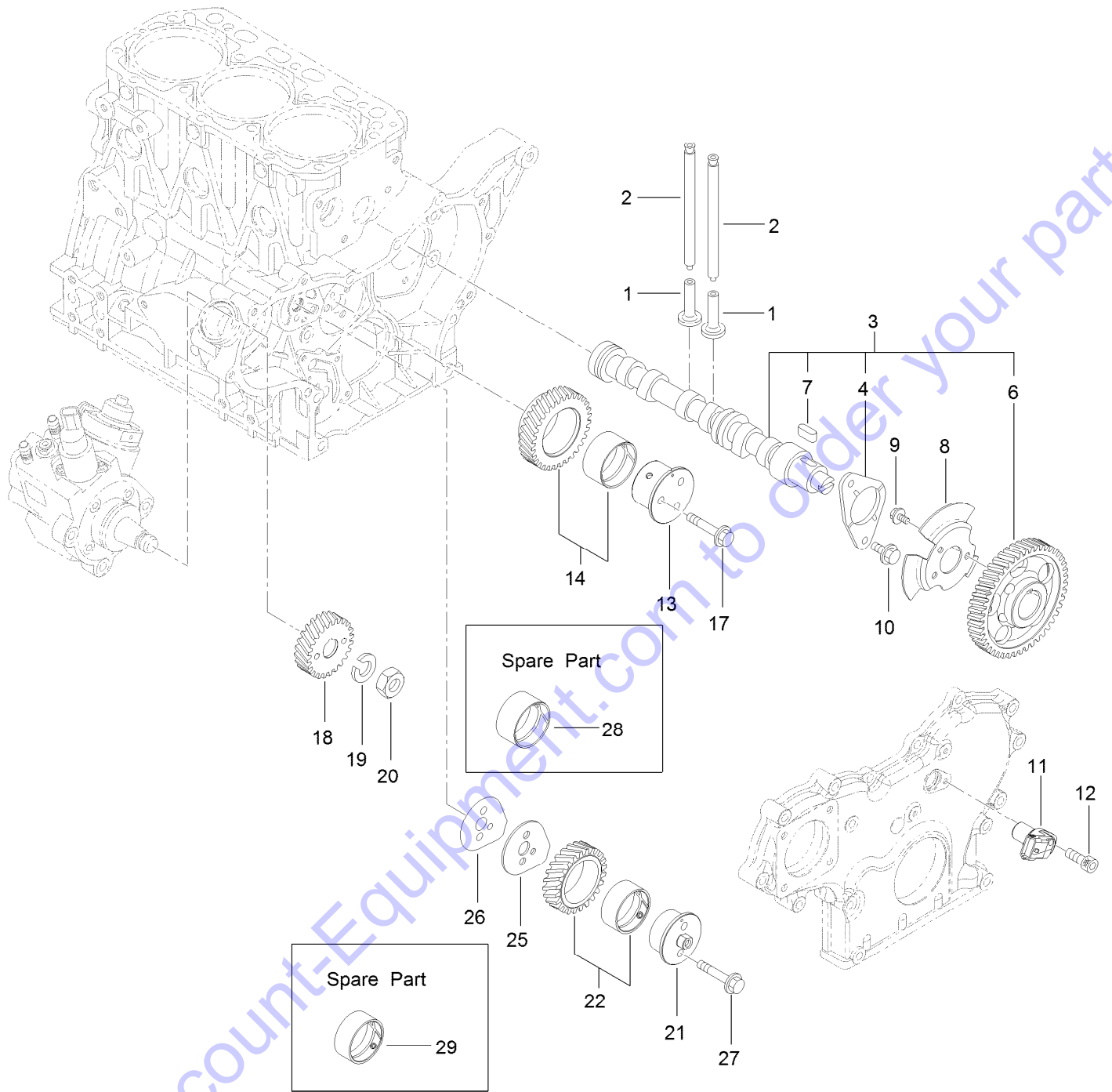


Diesel Particulate Filter Assembly (continued)

<i>Ref.</i>	<i>Part Number</i>	<i>Qty.</i>	<i>Description</i>	<i>Ref.</i>	<i>Part Number</i>	<i>Qty.</i>	<i>Description</i>
1	127-3019	1	Gasket	22	127-4777	1	Sensor Pressure Unit
2	127-4742	1	Dpf Unit	23	127-3039	2	Bolt-Joint, Pipe
3	127-4764	1	Sensor-Temp, Exhaust	24	127-3795	1	Pipe-Sensor
4	127-3112	1	Sensor-Temp, Exhaust	25	127-3056	4	Gasket-Sensor
5	127-4730	1	D P F ASM	26	127-3796	1	Pipe-Sensor
6	127-4731	1	Case-Doc	27	127-4746	1	Exhaust Hose ASM
8	127-4733	1	Case-Soot Filter	29	127-3057	2	Clip-Hose
10	127-3786	1	Silencer-D P F	30	127-3059	1	Exhaust Pressure Hose ASM
11	127-3859	2	Gasket-D P F	32	127-3058	2	Clip-Hose
12	127-3055	16	Bolt	33	127-4749	1	Sensor-Pressure
13	127-3788	1	Lifter-D P F	34	127-3061	1	Bracket-Sensor, Pressure
14	127-3789	5	Stiffener-D P F, A	35	125-7208	2	Bolt
15	127-3790	1	Stiffener-D P F, B	36	125-7595	2	Bolt
16	127-3791	1	Stiffener-D P F, C	37	127-3087	1	Band-Clip
17	127-3792	1	Stiffener-D P F, C	38	127-3124	1	Band
18	127-4737	1	Stay-Dpf	39	127-3088	2	Clip-Connector
19	125-7213	2	Bolt	40	127-4773	4	Bolt
20	125-7594	2	Bolt	41	125-7229	4	Nut
21	125-7229	16	Nut				

Go to Discount-Equipment.com to order your parts

Camshaft and Driving Gear Assembly

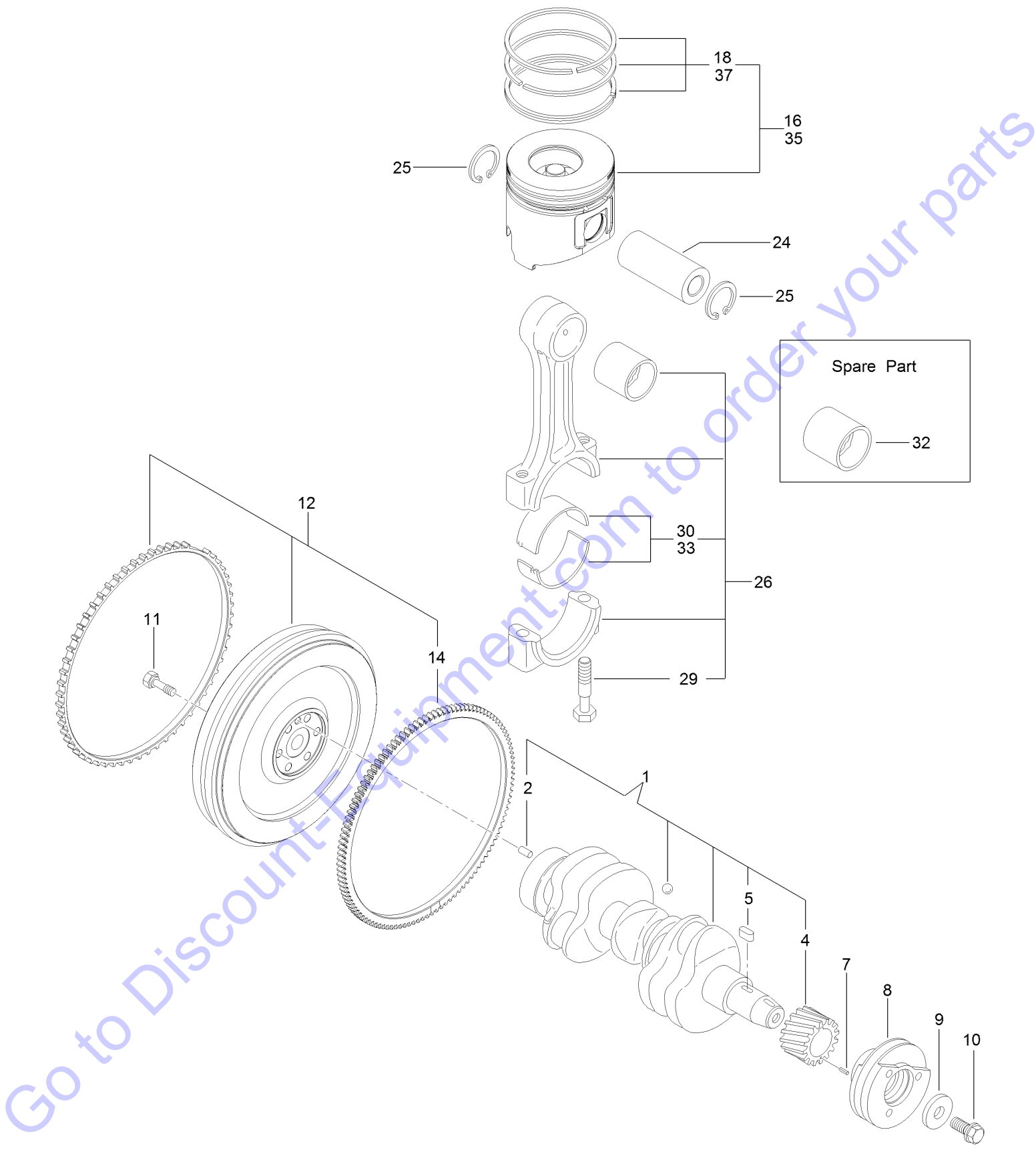


Camshaft and Driving Gear Assembly (continued)

<i>Ref.</i>	<i>Part Number</i>	<i>Qty.</i>	<i>Description</i>	<i>Ref.</i>	<i>Part Number</i>	<i>Qty.</i>	<i>Description</i>
1	125-7016	6	Tappet	14	127-3066	1	Idle Gear A ASM
2	125-7017	6	Rod-Push	17	125-7219	3	Bolt
3	127-3797	1	Camshaft ASM	18	127-3070	1	Gear-Pump, Supply
4	125-7008	1	Metal-Thrust	19	127-3167	1	Washer-Spring
6	127-3052	1	Gear-Camshaft	20	127-3185	1	Nut-Lock
7	125-7185	1	Key	21	127-3064	1	Shaft-Idle, Gear B
8	127-3053	1	Pulser-Camshaft	22	127-3067	1	Idle Gear B ASM
9	125-7205	3	Bolt	25	127-3068	1	Plate-Idle, Shaft
10	125-7213	2	Bolt	26	127-3069	1	Gasket-Idle, Shaft B
11	127-3054	1	Sensor-Rev, Gear	27	125-7218	2	Bolt
12	127-3184	1	Bolt	28	125-6927	1	Bushing
13	127-3063	1	Shaft-Idle, Gear A	29	127-3065	1	Bushing

Go to Discount-Equipment.com to order your parts

Crankshaft and Piston Assembly

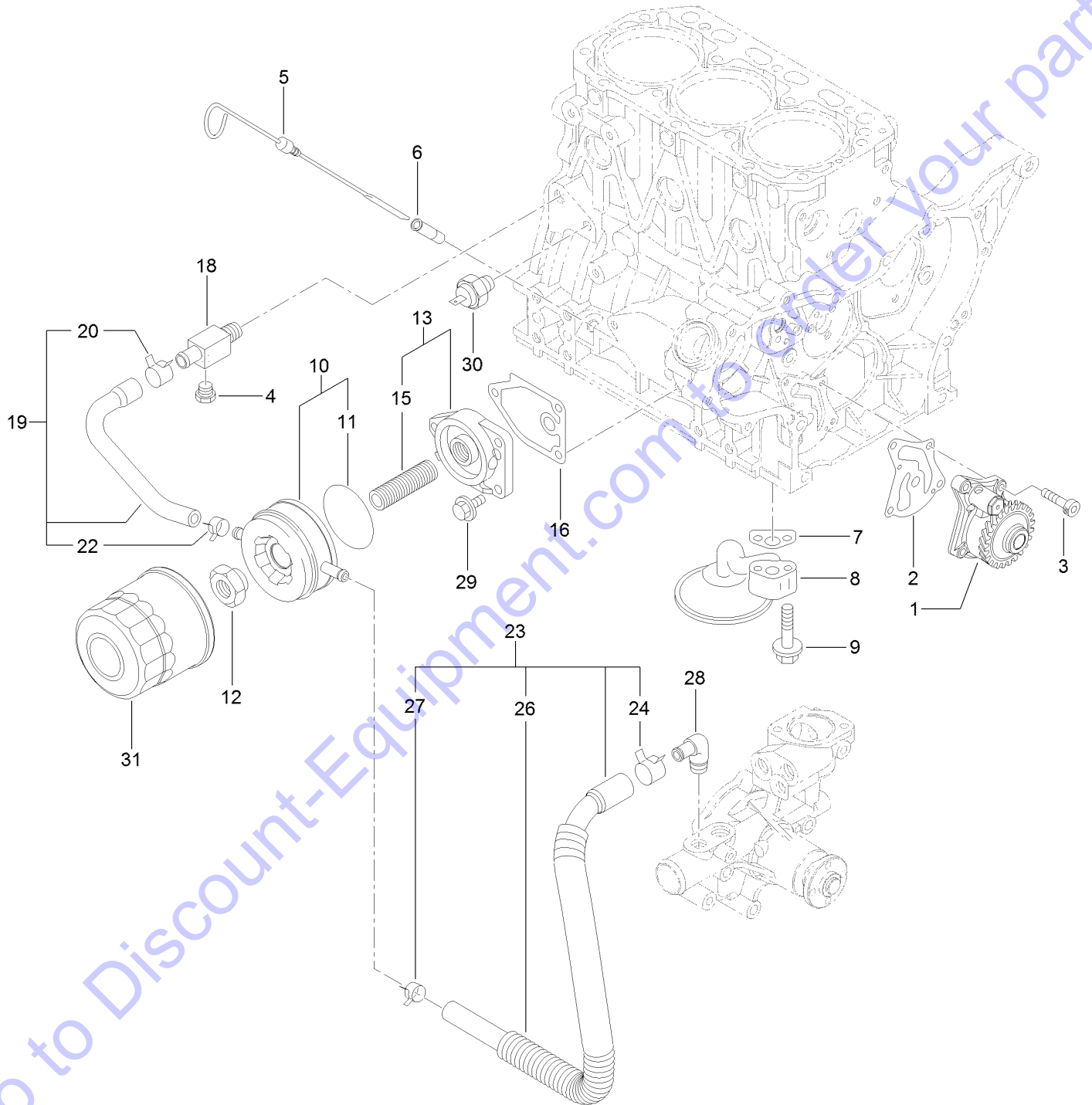


Crankshaft and Piston Assembly (continued)

<i>Ref.</i>	<i>Part Number</i>	<i>Qty.</i>	<i>Description</i>	<i>Ref.</i>	<i>Part Number</i>	<i>Qty.</i>	<i>Description</i>
1	127-3800	1	Crankshaft ASM	16	127-4766	3	Piston ASM
2	125-6995	1	Pin	18	127-4751	3	Piston Ring ASM
4	125-6937	1	Gear	24	125-7030	3	Pin
5	125-7185	1	Key	25	125-7180	6	Ring
7	125-7182	1	Pin-Spring	26	125-7242	3	Connecting Rod ASM
8	127-3801	1	Pulley-V	29	125-6955	6	Bolt
9	125-7109	1	Washer	30	125-7018	3	Pin-Crank
10	125-6956	1	Bolt	32	125-6997	3	Pin-Piston
11	125-6951	6	Bolt	33	125-7019	3	Pin-Crank (.25)
12	127-3802	1	Flywheel ASM	35	127-4767	3	Piston ASM (0.25 O S)
14	125-6943	1	Gear	37	127-4752	3	Ring Set (0.25 O S)

Go to Discount-Equipment.com to order your parts

Lubrication and Oil System Assembly

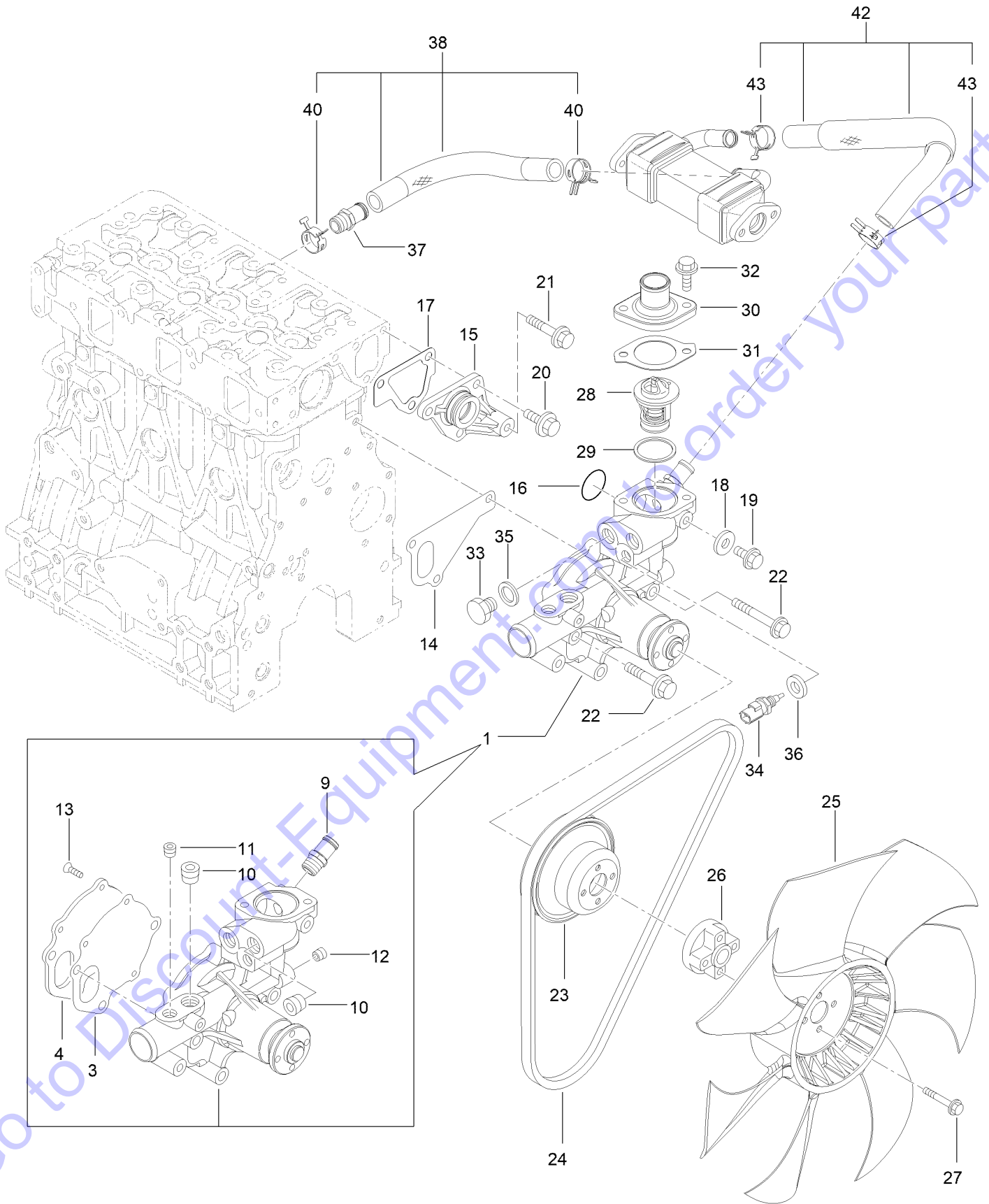


Lubrication and Oil System Assembly (continued)

<i>Ref.</i>	<i>Part Number</i>	<i>Qty.</i>	<i>Description</i>	<i>Ref.</i>	<i>Part Number</i>	<i>Qty.</i>	<i>Description</i>
1	127-4753	1	Oil Pump ASM	16	125-7024	1	Gasket
2	127-3004	1	Gasket	18	125-6990	1	Joint
3	125-7232	4	Bolt	19	125-7078	1	Pipe ASM
4	125-7171	1	Plug-Drain	20	125-7162	1	Clip
5	125-6987	1	Dipstick	22	125-7191	1	Clamp-Hose
6	125-6954	1	Guide-Dipstick	23	127-3804	1	Pipe ASM
7	125-7022	1	Gasket	24	125-7162	1	Clip
8	127-3803	1	Pipe ASM	26	127-3805	1	Tube
9	125-7217	2	Bolt	27	125-7191	1	Clamp-Hose
10	125-7074	1	Cooler ASM	28	125-7001	1	Elbow
11	125-7075	1	O-Ring	29	125-7595	3	Bolt
12	125-7041	1	Nut-Cooler, Oil	30	125-6918	1	Switch-Oil
13	125-6989	1	Bracket ASM	31	125-7025	1	Filter-Engine, Oil
15	125-7042	1	Stud				

Go to Discount-Equipment.com to order your parts

Cooling System Assembly

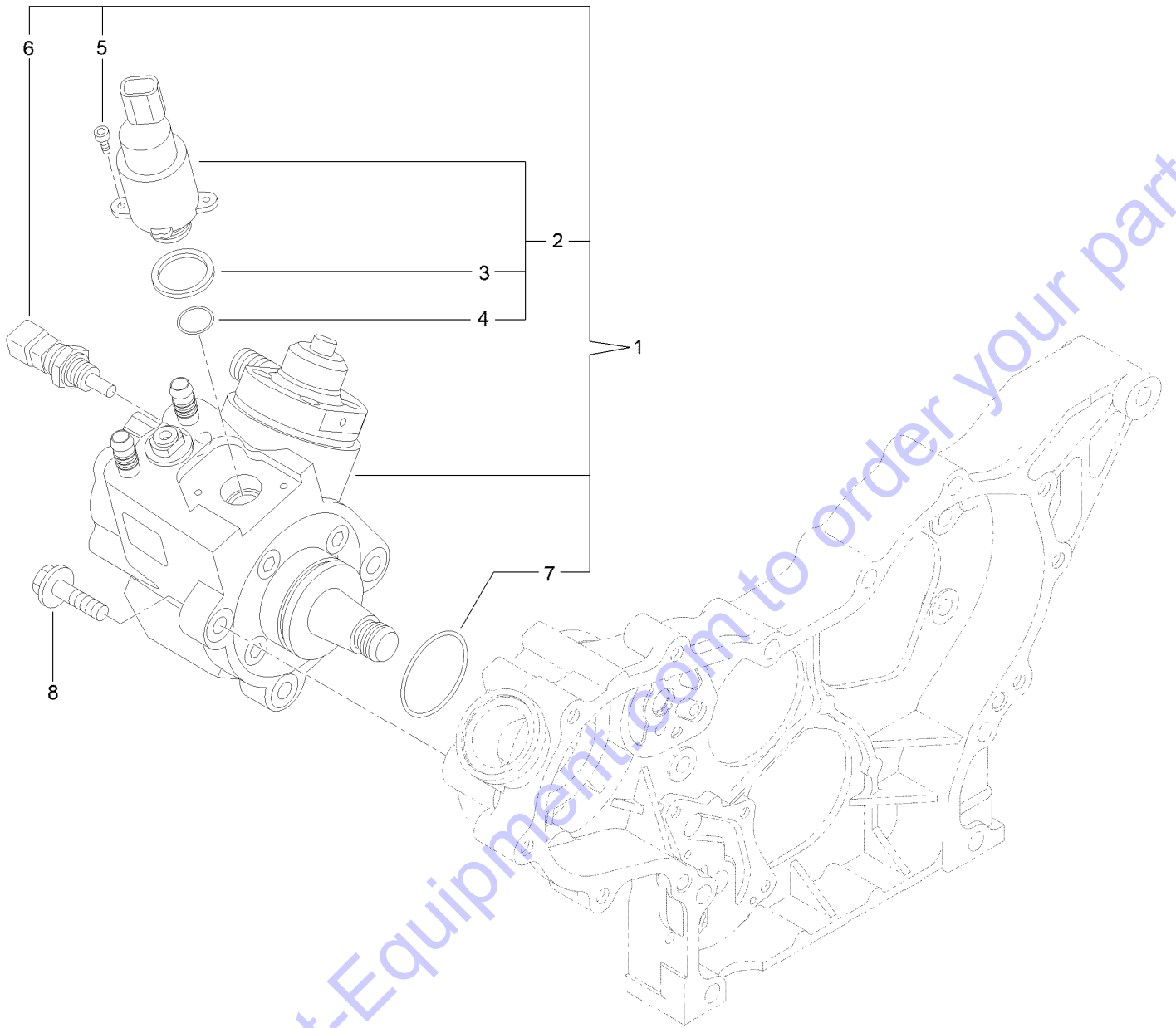


Cooling System Assembly (continued)

<i>Ref.</i>	<i>Part Number</i>	<i>Qty.</i>	<i>Description</i>	<i>Ref.</i>	<i>Part Number</i>	<i>Qty.</i>	<i>Description</i>
1	127-3071	1	Water Pump ASM	24	127-2998	1	V-Belt
3	125-6998	1	Gasket	25	127-4713	1	Fan
4	125-6999	1	Plate	26	127-4768	1	Spacer
9	127-3017	1	Joint	27	125-7211	4	Bolt
10	125-7123	2	Plug	28	125-7029	1	Thermostat
11	127-3175	1	Plug	29	125-7026	1	Gasket
12	125-7195	1	Plug	30	125-7034	1	Cover
13	125-7234	3	Screw	31	125-7110	1	Gasket
14	125-7047	1	Gasket	32	125-7594	2	Bolt
15	125-6986	1	Joint	33	125-6953	1	Plug
16	125-7048	1	O-Ring	34	125-7124	1	Sensor-Thermostat, CW
17	125-6978	1	Gasket	35	125-6979	1	Gasket
18	125-7192	1	Gasket	36	125-7176	1	Washer-Seal
19	93-0362	1	Bolt	37	127-3017	1	Joint
20	100-6928	3	Bolt	38	127-3072	1	Water In Pipe ASM
21	125-7219	1	Bolt	40	127-3020	2	Clip-Hose
22	125-7222	3	Bolt	42	127-3811	1	CW Pipe ASM
23	125-7039	1	V-Pulley	43	127-3020	2	Clip-Hose

Go to Discount-Equipment.com to order your parts

Fuel System Assembly



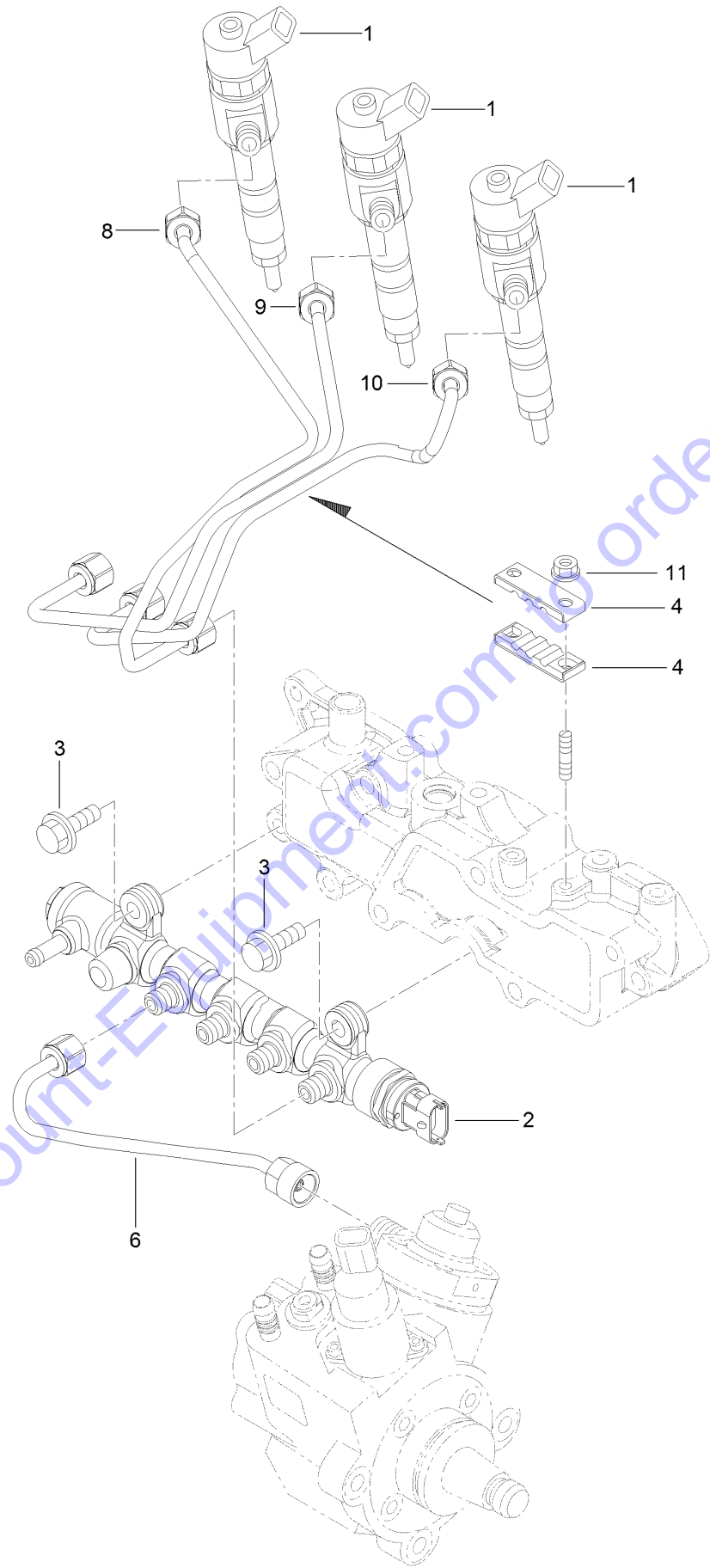
Go to Discount-Equipment.com to order your parts

Fuel System Assembly (continued)

<i>Ref.</i>	<i>Part Number</i>	<i>Qty.</i>	<i>Description</i>	<i>Ref.</i>	<i>Part Number</i>	<i>Qty.</i>	<i>Description</i>
1	127-3073	1	Fuel Pump ASM	5	131-2107	2	Bolt
2	131-2103	1	Valve ASM	6	131-2108	1	Sensor-Temperature
3	131-2105	3	Ring-Sealing	7	127-3074	1	O-Ring
4	131-2106	1	O-Ring	8	125-7216	3	Bolt

Go to Discount-Equipment.com to order your parts

Fuel Injection Valve Assembly



Go to Discount-Equipment.com to order your parts

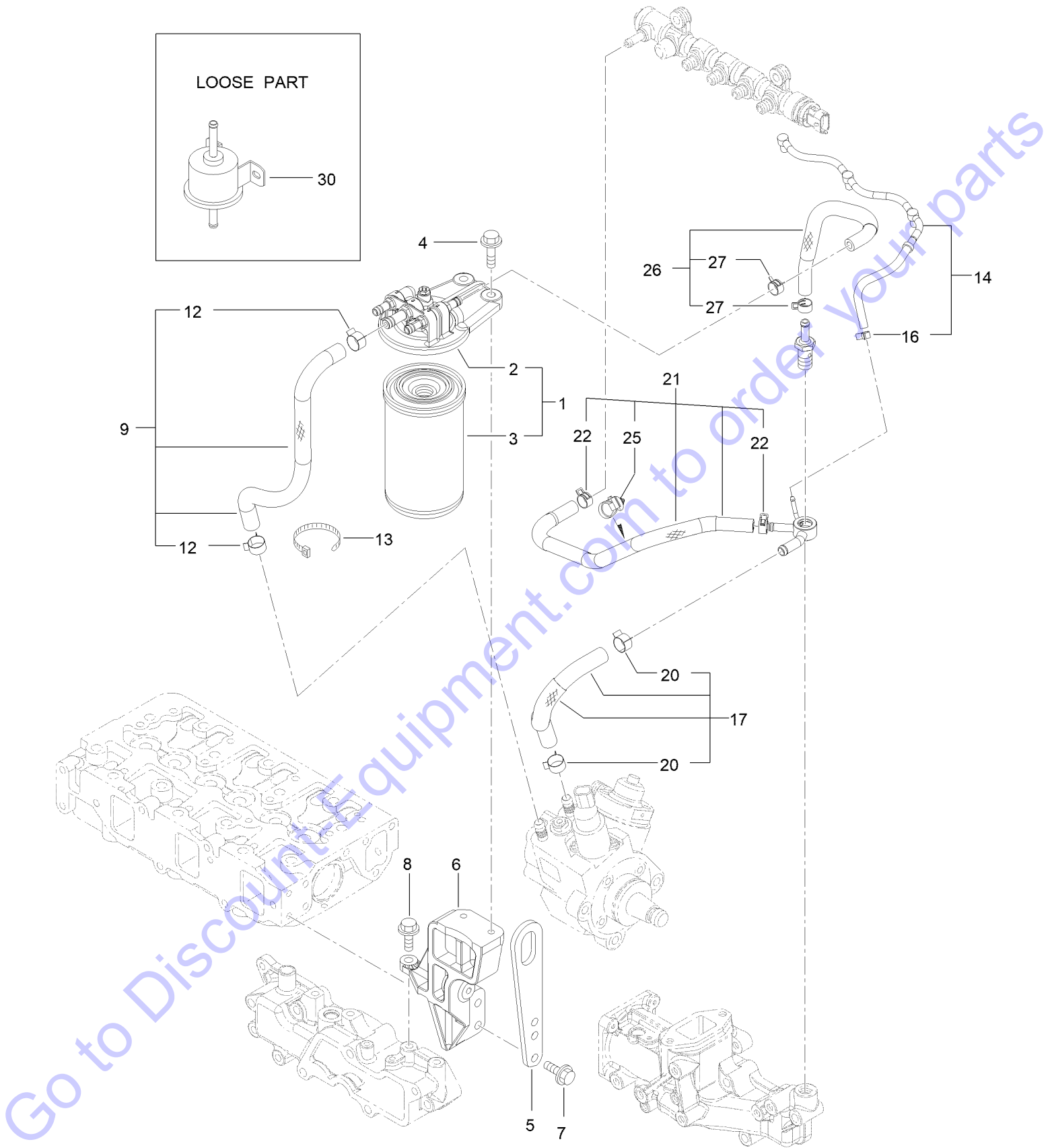
Fuel Injection Valve Assembly (continued)

<i>Ref.</i>	<i>Part Number</i>	<i>Qty.</i>	<i>Description</i>
1	127-4754	3	Injector ASM
2	127-3812	1	Rail ASM
3	125-7215	2	Bolt
4	127-3813	2	Retainer
6	127-3082	1	Rail In Pipe ASM

<i>Ref.</i>	<i>Part Number</i>	<i>Qty.</i>	<i>Description</i>
8	127-3814	1	Injection Pipe ASM
9	127-3083	1	Injection Pipe ASM
10	127-3084	1	Injection Pipe ASM
11	125-7231	2	Nut

Go to Discount-Equipment.com to order your parts

Fuel Line Assembly

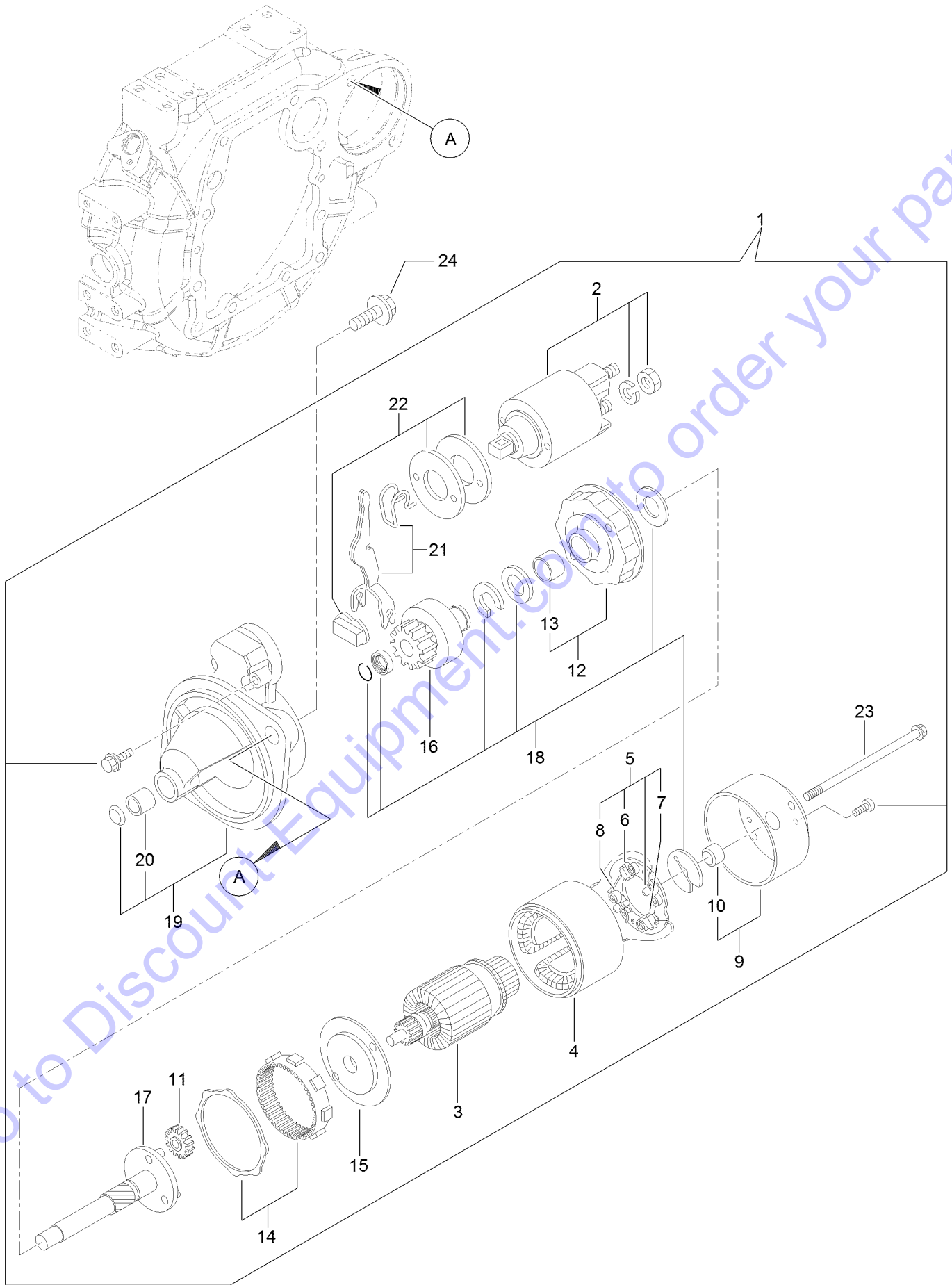


Fuel Line Assembly (continued)

<i>Ref.</i>	<i>Part Number</i>	<i>Qty.</i>	<i>Description</i>	<i>Ref.</i>	<i>Part Number</i>	<i>Qty.</i>	<i>Description</i>
1	127-3075	1	Fuel/Oil Filter ASM	14	127-3816	1	Fuel/Oil Return Pipe ASM
2	127-3076	1	Fuel/Oil Filter Bracket ASM	16	127-3172	1	Clamp-Hose
3	125-8752	1	Filter-Fuel/Oil	17	127-3078	1	Fuel Pipe ASM
4	125-7216	2	Bolt	20	125-7191	2	Clamp-Hose
5	125-7111	1	Lifter	21	127-3817	1	Fuel Pipe ASM
6	127-3815	1	Filter Bracket ASM	22	127-2950	2	Clip-Hose
7	125-7215	2	Bolt	25	127-3087	1	Band-Clip
8	125-7215	1	Bolt	26	127-3079	1	Fuel Pipe ASM
9	127-3077	1	Fuel Pipe ASM	27	127-2950	2	Clip-Hose
12	125-7191	2	Clamp-Hose	30	121-5613	1	Pump-Fuel, Electric
13	127-2981	1	Band				

Go to Discount-Equipment.com to order your parts

Starting Motor Assembly

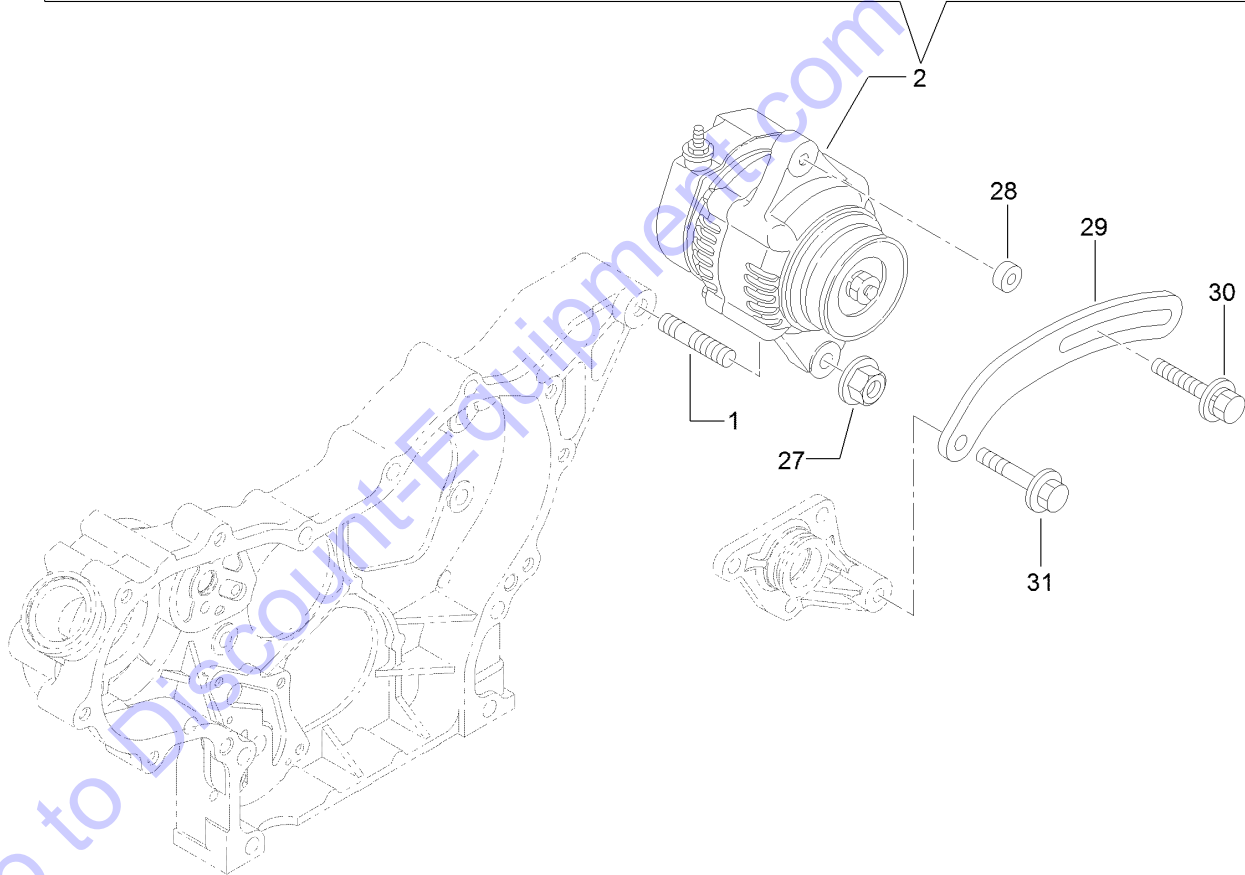
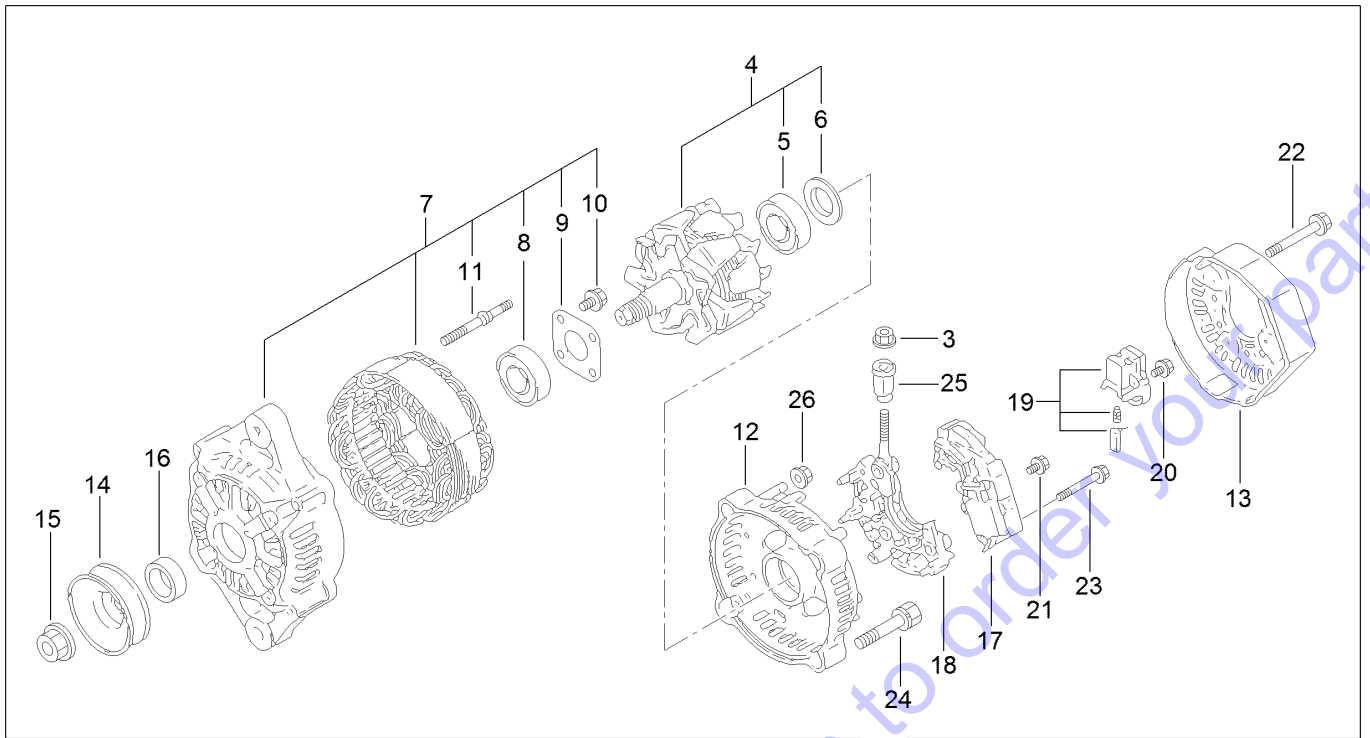


Starting Motor Assembly (continued)

<i>Ref.</i>	<i>Part Number</i>	<i>Qty.</i>	<i>Description</i>	<i>Ref.</i>	<i>Part Number</i>	<i>Qty.</i>	<i>Description</i>
1	127-3818	1	Starter ASM	13	127-3830	1	Bracket
2	127-3819	1	Switch ASM	14	127-3831	1	Gear
3	127-3820	1	Armature ASM	15	127-3832	1	Bracket
4	127-3821	1	Yoke ASM	16	127-3833	1	Pinion ASM
5	127-3822	1	Brush Holder ASM	17	127-3834	1	Shaft
6	127-3823	2	Brush	18	127-3835	1	Washer Set
7	127-3824	1	Brush Set	19	127-3836	1	Case ASM
8	127-3825	4	Spring	20	127-3837	1	Metal-Starter
9	127-3826	1	Cover ASM	21	127-3838	1	Lever Set
10	127-3827	1	Metal	22	127-3839	1	Dust Cover ASM
11	127-3828	3	Gear	23	127-3840	2	Bolt-Through
12	127-3829	1	Bracket	24	125-7225	2	Bolt

Go to Discount-Equipment.com to order your parts

Generator Assembly

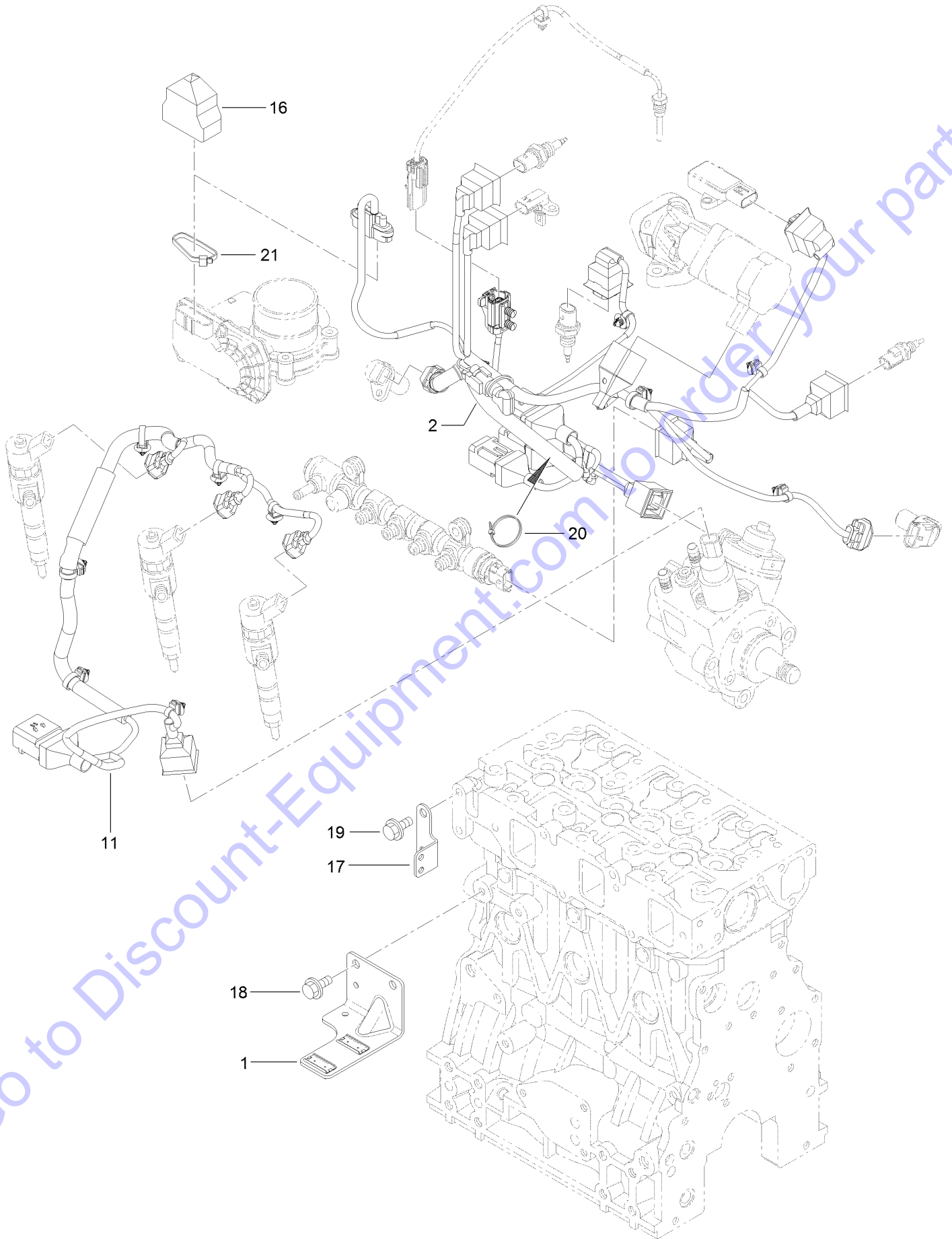


Generator Assembly (continued)

<i>Ref.</i>	<i>Part Number</i>	<i>Qty.</i>	<i>Description</i>	<i>Ref.</i>	<i>Part Number</i>	<i>Qty.</i>	<i>Description</i>
1	127-3011	1	Stud	17	127-3847	1	Regulator ASM
2	127-3841	1	Generator	18	127-3848	1	Holder
3	127-3190	1	Nut	19	127-2993	1	Holder
4	127-3843	1	Rotor ASM	20	127-2965	6	Screw
5	127-2983	1	Bearing-Ball	21	127-2966	1	Screw
6	127-2962	1	Cover	22	127-2967	3	Bolt
7	127-3844	1	Frame ASM	23	127-2968	2	Screw
8	127-2958	1	Bearing-Ball	24	127-2969	2	Bolt
9	127-2959	1	Plate-Retainer	25	127-2970	1	Bushing-Insulation
10	127-2960	4	Screw	26	127-2971	2	Nut
11	127-2961	2	Stud	27	125-7230	1	Nut
12	127-3845	1	Frame	28	125-6947	1	Spacer
13	127-3846	1	Cover	29	127-2977	1	Adjuster
14	127-2954	1	Pulley	30	125-7134	1	Bolt
15	127-2955	1	Nut	31	125-7219	1	Bolt
16	127-2957	1	Collar				

Go to Discount-Equipment.com to order your parts

Electric Parts Assembly

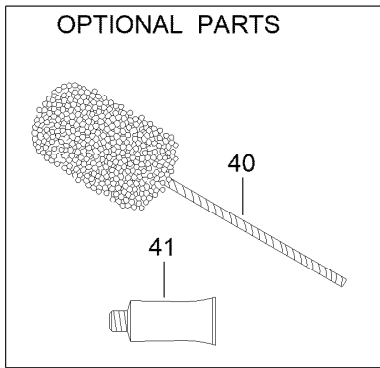
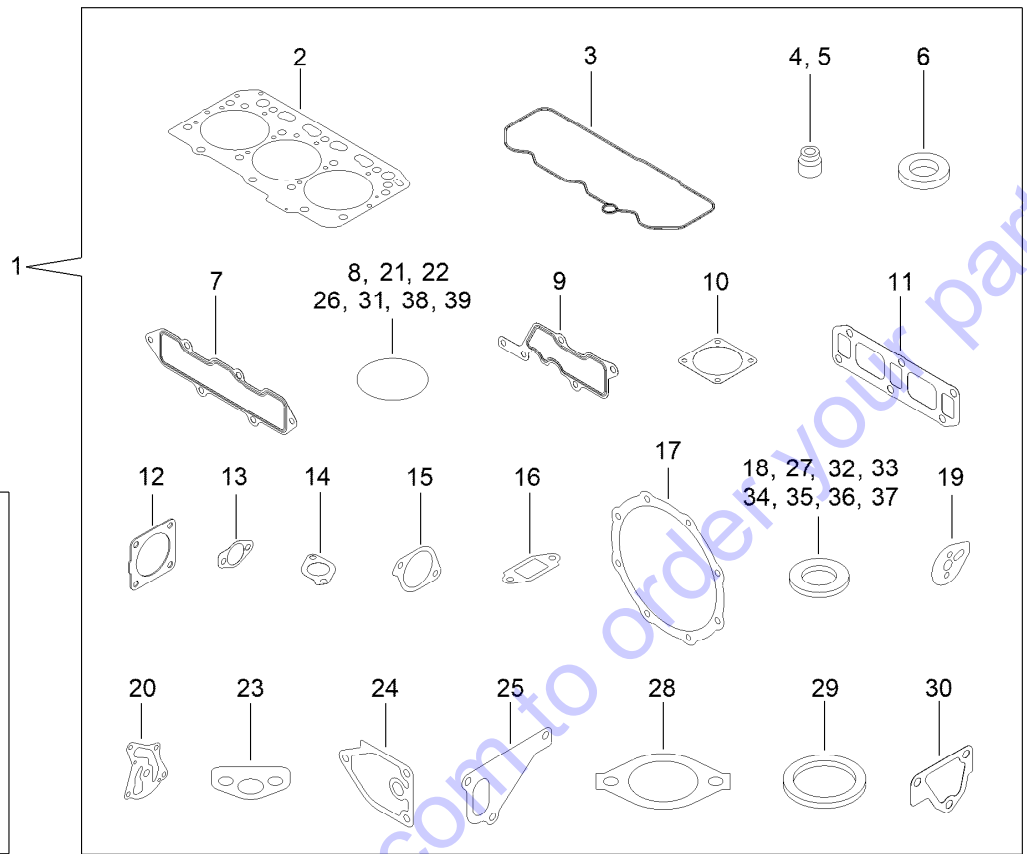


Electric Parts Assembly (continued)

<i>Ref.</i>	<i>Part Number</i>	<i>Qty.</i>	<i>Description</i>	<i>Ref.</i>	<i>Part Number</i>	<i>Qty.</i>	<i>Description</i>
1	127-3086	1	Bracket-Connector	18	93-0362	2	Bolt
2	127-4755	1	Harness	19	93-0362	2	Bolt
11	127-3851	1	Harness	20	127-3187	1	Band
16	127-3089	1	Boot-Type, Cap	21	127-3188	1	Band
17	127-3090	1	Bracket-Harness				

Go to Discount-Equipment.com to order your parts

Gasket Set



Gasket Set (continued)

<i>Ref.</i>	<i>Part Number</i>	<i>Qty.</i>	<i>Description</i>	<i>Ref.</i>	<i>Part Number</i>	<i>Qty.</i>	<i>Description</i>
1	127-4776	1	Gasket Kit	22	127-2973	1	O-Ring
2	127-4716	1	Head Gasket ASM	23	125-7022	1	Gasket
3	127-3856	1	Gasket-Valve Cover	24	125-7024	1	Gasket
4	127-2986	3	Seal-Stem, Valve	25	125-7047	1	Gasket
5	127-3027	3	Seal-Stem, Valve	26	125-7048	1	O-Ring
6	127-3021	3	Gasket-Injector	27	125-6979	1	Gasket
7	127-3857	1	Gasket-Manifold, Intake	28	125-7110	1	Gasket
8	127-3033	1	O-Ring	29	125-7026	1	Gasket
9	127-3034	1	Gasket-Collector	30	125-6978	1	Gasket
10	127-3037	2	Gasket-Throttle	31	127-3074	1	O-Ring
11	127-3775	1	Gasket-Manifold, Exhaust	32	125-7174	1	Washer-Seal
12	127-3019	1	Gasket	33	125-7176	1	Washer-Seal
13	127-3043	2	Gasket-Cooler, E G R	34	127-3166	2	Washer-Seal
14	127-3016	1	Gasket	35	125-7177	1	Washer-Seal
15	127-3050	1	Gasket-Intake Valve, E G R	36	125-7192	1	Gasket
16	127-3051	1	Gasket-Out Valve, E G R	37	127-3174	2	Gasket
17	127-3859	2	Gasket-D P F	38	93-0418	3	O-Ring
18	127-3056	4	Gasket-Sensor	39	125-7197	2	O-Ring
19	127-3069	1	Gasket-Idle, Shaft B	40	127-3000	1	Hone
20	127-3004	1	Gasket	41	125-7248	1	Gasket-Liquid
21	125-6909	2	O-Ring				

Go to Discount-Equipment.com to order your parts

Attachments and Accessories

For 22370 TX 1300 Compact Tool Carrier

Product Name	Model/Part
High Volume Bucket	22342
Standard Bucket, Dingo TX 1300	22345
Low Profile Bucket, Dingo TX 1300	22346
48in Hydraulic Blade	22414
Bore Drive Head	22420
Rod and Reamer	22421
Multi-Purpose Tool	22423
Direct Drive Power Box Rake	22426
Stump Grinder	22429
Tree Forks	22438
Cement Bowl	22442
40in Tiller	22445
Crumber Kit	22464
Trench Filler	22472
High-Torque Trencher Head	22473
High-Speed Trencher Head	22474
Dingo 4-in-1 Bucket	22478
Dingo Grapple Rake	22577
Dingo Snow Thrower	22585
Dingo Adjustable Forks	22586
Dingo Bucket Grapple	22590
Auger Head	22805
Universal Swivel Auger Head	22806
18in Auger Bit	22814
24in Auger Bit	22815
30in Auger Bit	22816
12in Auger Bit Extension	22818
24in Auger Bit Extension	22819
6in Full-Flight Auger Bit	22820
9in Full-Flight Auger Bit	22821
12in Full-Flight Auger Bit	22822
15in Full-Flight Auger Bit	22823
Vibratory Plow	22911
Soil Cultivator	23102
Leveler	23165
New Red Paint - Gallon	361-11
Dark Metallic Gray Aerosol Paint	361-12
Semi-Gloss Black Spray Paint	361-9
Air Dry Red Paint - Qt	5340

Notes:

Go to Discount-Equipment.com to order your parts

PARTS FINDER

**Search Website
by Part Number**



**Search Manual
Library For Parts
Manual & Lookup Part
Numbers – Purchase
or Request Quote**

Search Manuals

Enter your information to help us find the right parts manual for your machine.

* Brand:

* Model:

* Serial:

* Part Number:

SEARCH

**Can't Find Part or
Manual? Request Help
by Manufacturer,
Model & Description**

Parts Order Form

Please fill in the following information to help us find the right part for your machine.

Manufacturer:	<input type="text"/>
Model:	<input type="text"/>
Description:	<input type="text"/>
Part Number:	<input type="text"/>
Quantity:	<input type="text"/>
Notes:	<input type="text"/>

Submit

Discount-Equipment.com is your online resource for quality parts & equipment.

Florida: **561-964-4949** Outside Florida TOLL FREE: **877-690-3101**

Need parts?

Click on this link: <http://www.discount-equipment.com/category/5443-parts/> and choose one of the options to help get the right parts and equipment you are looking for. Please have the machine model and serial number available in order to help us get you the correct parts. If you don't find the part on the website or on one of the online manuals, please fill out the request form and one of our experienced staff members will get back to you with a quote for the right part that your machine needs.

We sell worldwide for the brands: Genie, Terex, JLG, MultiQuip, Mikasa, Essick, Whiteman, Mayco, Toro Stone, Diamond Products, Generac Magnum, Airman, Haulotte, Barreto, Power Blanket, Nifty Lift, Atlas Copco, Chicago Pneumatic, Allmand, Miller Curber, Skyjack, Lull, Skytrak, Tsurumi, Husquvarna Target, Stow, Wacker, Sakai, Mi-T-M, Sullair, Basic, Dynapac, MBW, Weber, Bartell, Bennar Newman, Haulotte, Ditch Runner, Menegotti, Morrison, Contec, Buddy, Crown, Edco, Wyco, Bomag, Laymor, EZ Trench, Bil-Jax, F.S. Curtis, Gehl Pavers, Heli, Honda, ICS/PowerGrit, IHI, Partner, Imer, Clipper, MMD, Koshin, Rice, CH&E, General Equipment, Amida, Coleman, NAC, Gradall, Square Shooter, Kent, Stanley, Tamco, Toku, Hatz, Kohler, Robin, Wisconsin, Northrock, Oztec, Toker TK, Rol-Air, APT, Wylie, Ingersoll Rand / Doosan, Innovatech, Con X, Ammann, Mecalac, Makinex, Smith Surface Prep, Small Line, Wanco, Yanmar



Count on it.



www.discount-equipment.com

Go to Discount-Equipment.com to order your parts