



SPARE PARTS LIST

WALL SAWS

WS220, 2013-10

Go to Discount-Equipment.com to order your parts



PARTS FINDER

**Search Website
by Part Number**



**Search Manual
Library For Parts
Manual & Lookup Part
Numbers – Purchase
or Request Quote**

Search Manuals

Enter your information to help us find the right parts manual for your machine.

* Brand:

* Model:

* Serial:

* Part Number:

SEARCH

**Can't Find Part or
Manual? Request Help
by Manufacturer,
Model & Description**

Parts Order Form

Please fill in the following information to help us find the right part for your machine.

Manufacturer:	<input type="text"/>
Model:	<input type="text"/>
Description:	<input type="text"/>
Part Number:	<input type="text"/>
Quantity:	<input type="text"/>
Notes:	<input type="text"/>

Submit

Discount-Equipment.com is your online resource for quality parts & equipment.

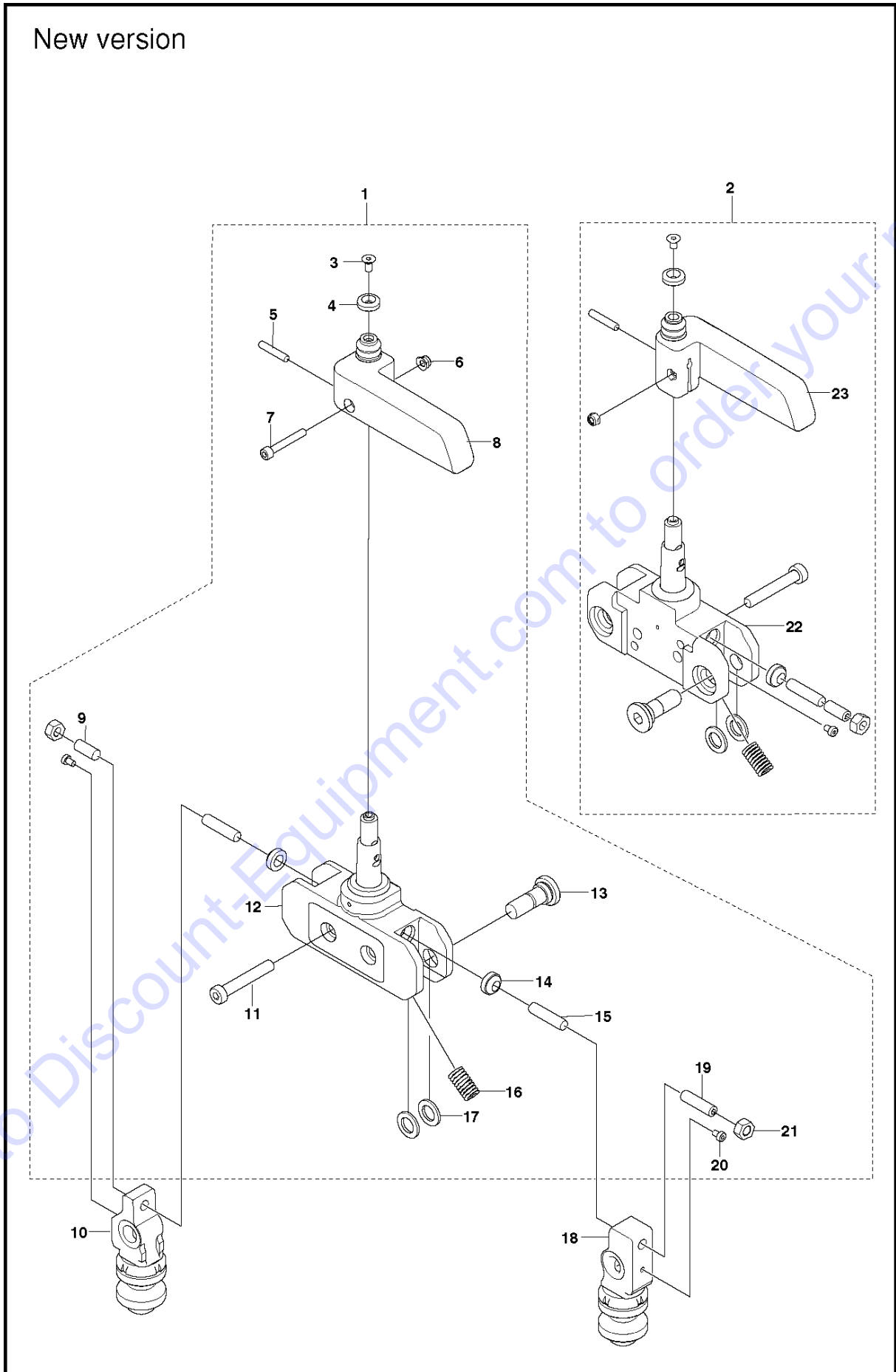
Florida: **561-964-4949** Outside Florida TOLL FREE: **877-690-3101**

Need parts?

Click on this link: <http://www.discount-equipment.com/category/5443-parts/> and choose one of the options to help get the right parts and equipment you are looking for. Please have the machine model and serial number available in order to help us get you the correct parts. If you don't find the part on the website or on one of the online manuals, please fill out the request form and one of our experienced staff members will get back to you with a quote for the right part that your machine needs.

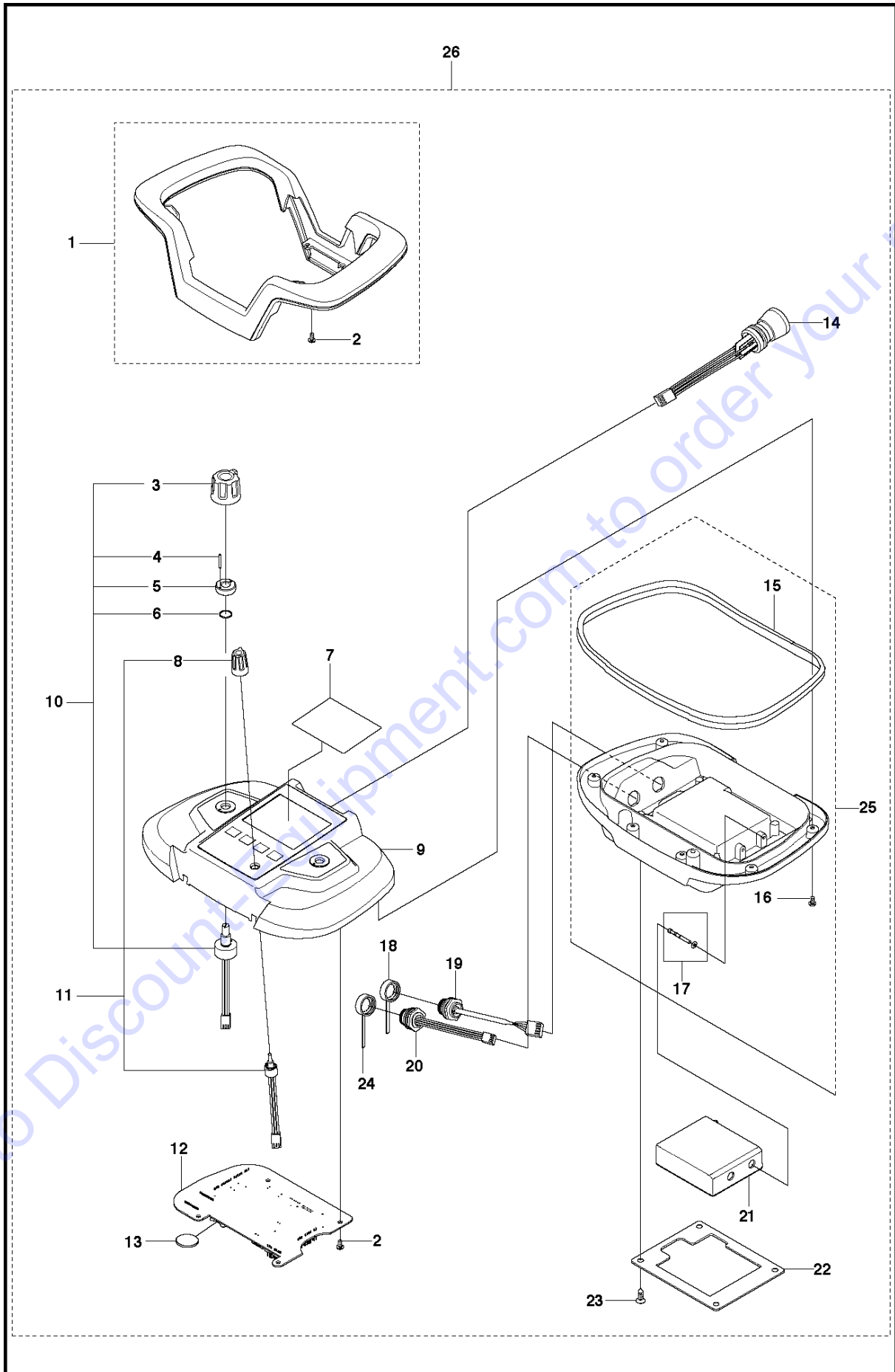
We sell worldwide for the brands: Genie, Terex, JLG, MultiQuip, Mikasa, Essick, Whiteman, Mayco, Toro Stone, Diamond Products, Generac Magnum, Airman, Haulotte, Barreto, Power Blanket, Nifty Lift, Atlas Copco, Chicago Pneumatic, Allmand, Miller Curber, Skyjack, Lull, Skytrak, Tsurumi, Husquvarna Target, Stow, Wacker, Sakai, Mi-T-M, Sullair, Basic, Dynapac, MBW, Weber, Bartell, Bennar Newman, Haulotte, Ditch Runner, Menegotti, Morrison, Contec, Buddy, Crown, Edco, Wyco, Bomag, Laymor, EZ Trench, Bil-Jax, F.S. Curtis, Gehl Pavers, Heli, Honda, ICS/PowerGrit, IHI, Partner, Imer, Clipper, MMD, Koshin, Rice, CH&E, General Equipment, Amida, Coleman, NAC, Gradall, Square Shooter, Kent, Stanley, Tamco, Toku, Hatz, Kohler, Robin, Wisconsin, Northrock, Oztec, Toker TK, Rol-Air, APT, Wylie, Ingersoll Rand / Doosan, Innovatech, Con X, Ammann, Mecalac, Makinex, Smith Surface Prep, Small Line, Wanco, Yanmar

New version



Ref	Part No	Description	Remark	QTY	KIT
1	579 10 36-02	LOCKING HANDLE		1	
2	579 10 37-02	LOCKING HANDLE		1	
3	725 63 25-51	SCREW IHCSFM		2	1,2
4	580 72 53-01	BUTTON		2	1,2
5	575 82 60-01	SEAL		2	1,2
6	732 25 14-01	HEXAGON LOCKING NUT		2	1,2
7	725 53 37-01	SCREW IHSCM		2	1,2
8	583 96 51-01	HANDLE		1	1
9	575 81 41-01	SCREW		2	1,2
10	584 14 12-02	HOLDER ASSY		1	
11	585 99 74-01	SCREW		4	1,2
12	584 14 14-01	HOUSING ASSY		1	1
13	575 65 33-01	SHAFT		4	1,2
14	580 72 66-01	SEAL		4	1,2
15	575 81 43-01	PEN		4	1,2
16	575 82 08-01	SPRING		4	1,2
17	575 82 67-01	WASHER		8	1,2
18	584 14 13-02	HOLDER ASSY		1	
19	585 90 59-01	SCREW		2	1,2
20	506 06 85-01	SCREW		4	1,2
21	503 22 10-11	HEXAGON NUT		4	1,2
22	586 96 53-01	BROCHURE		1	2
23	583 96 53-01	HANDLE		1	

Go to Discount-Equipment.com to order your parts

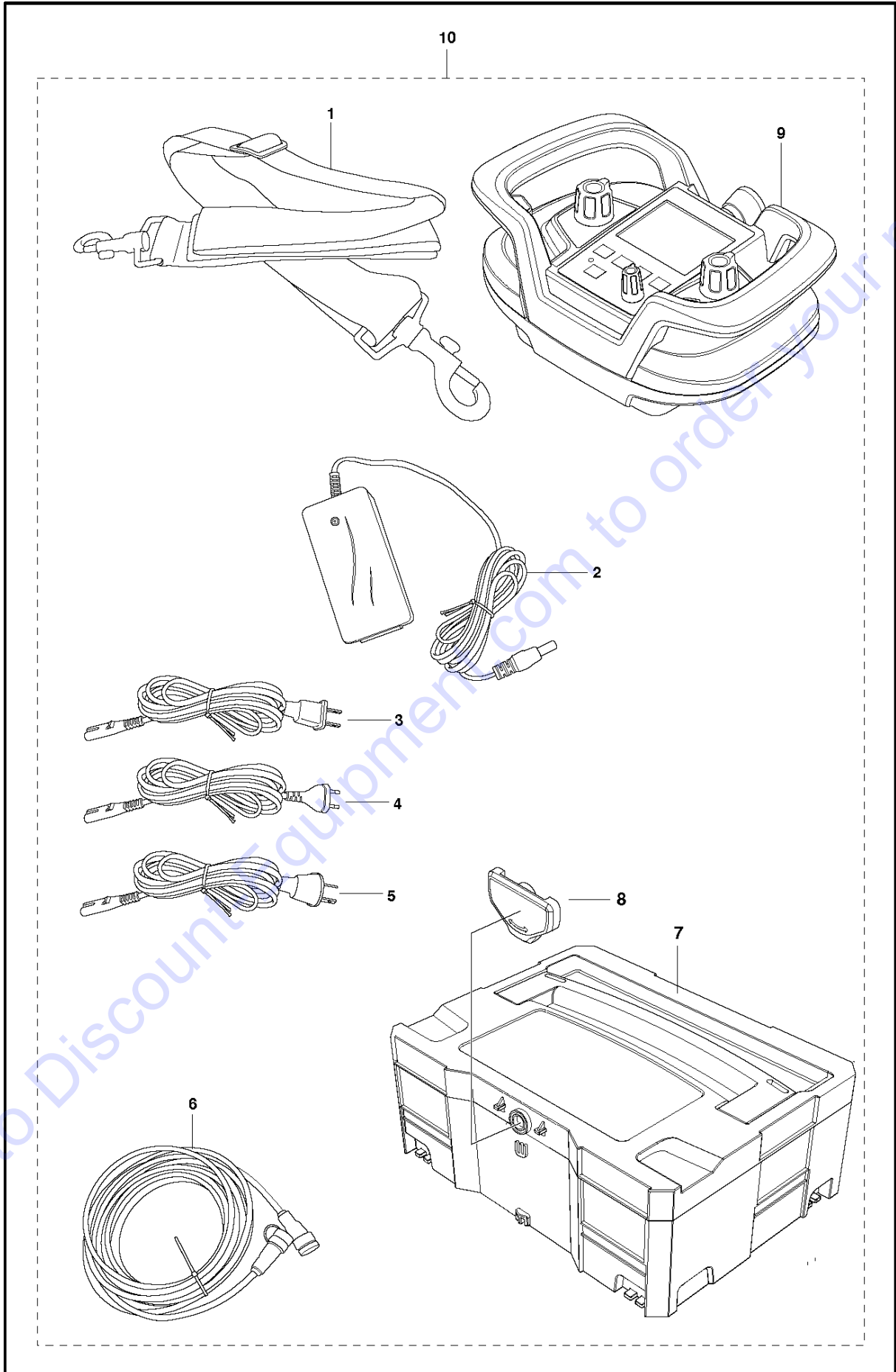


REMOTE CONTROL

WS220, 2013-10

Ref	Part No	Description	Remark	QTY	KIT
1	576 25 34-01	HANDLE ASSY		1	
2	578 77 61-01	SCREW ITPANT		10	1
3	576 25 94-01	TURNING KNOB ASSY		2	10
4	720 11 90-00	PARALLEL PIN		2	10
5	576 26 14-01	NUT		2	10
6	576 26 16-01	O-RING		2	10
7	585 30 68-01	PROTECTION		1	
8	577 73 55-01	KNOB		1	11
9	585 96 39-01	DISPLAY	Also includes pos 18	1	
10	577 70 95-01	CONTROL		2	
11	577 70 94-01	CONTROL		1	
12	581 00 08-02	PRINTED CIRCUIT ASSY		1	
13	577 76 37-01	BATTERY		1	
14	576 81 51-01	SWITCH		1	
15	576 88 80-02	SEALING STRIP		1	25
16	578 77 61-02	SCREW ITPANT		8	25
17	577 71 10-01	SPRING PIN		2	25
18	575 24 22-01	LID		1	
19	575 22 93-01	CONTACT	USB	1	
20	576 87 78-02	CONTACT	CAN	1	
21	587 31 16-01	BATTERY		1	
22	510 10 85-01	PLATE		1	
23	523 00 52-01	SCREW CRCSFT		4	
24	585 47 86-01	RUBBER PLUG		1	
25	586 18 04-01	COVER		1	
26	578 28 48-02	REMOTE CONTROL		1	

Go to Discount-Equipment.com to order your parts

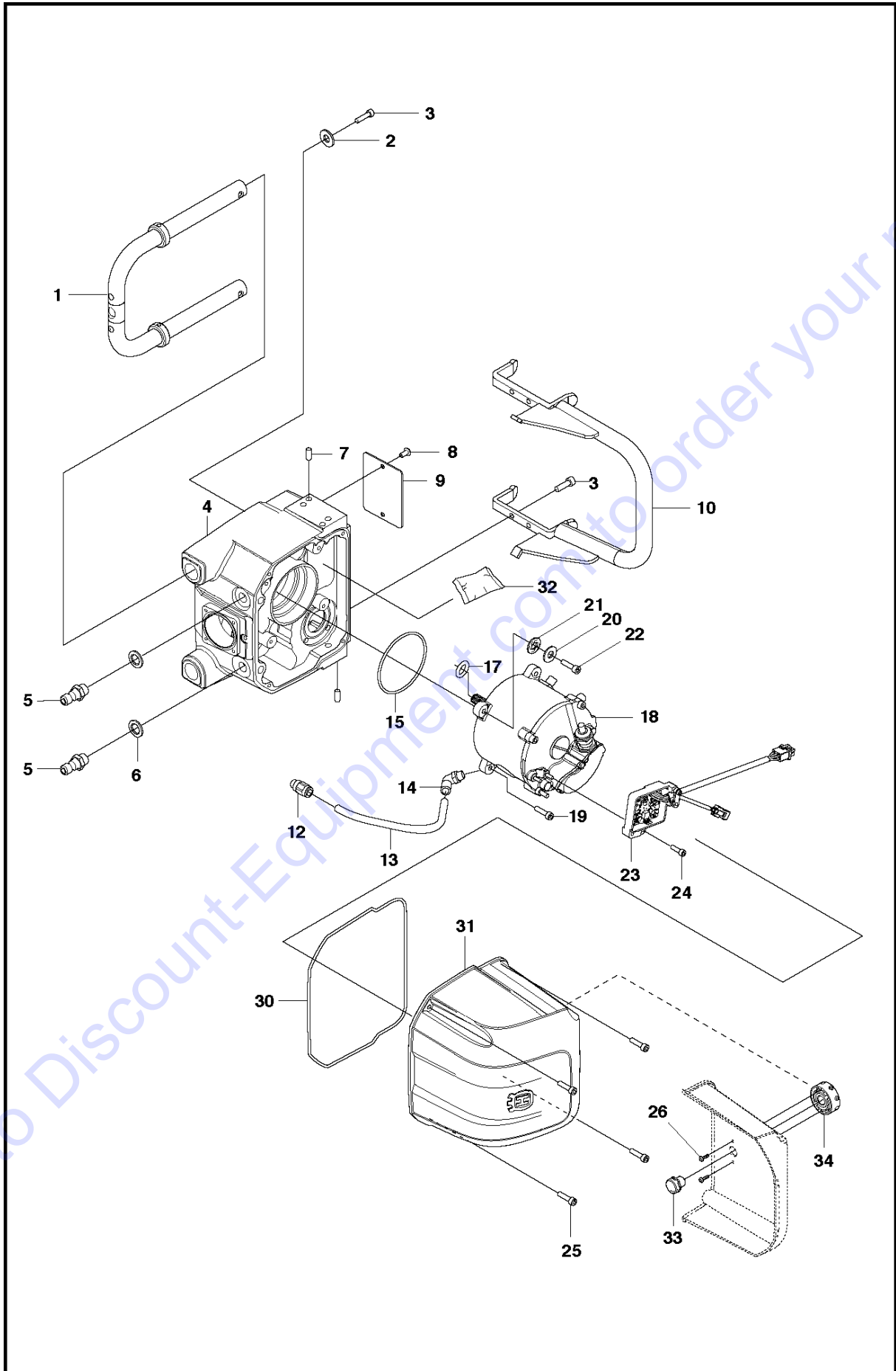


REMOTE CONTROL

WS220, 2013-10

Ref	Part No	Description	Remark	QTY	KIT
1	506 29 76-61	SHOULDER STRAP		1	10
2	510 28 50-03	CHARGER		1	10
3	510 28 07-02	CABLE	US	1	10
4	510 28 07-01	CABLE	EU	1	10
5	510 28 07-04	CABLE	Australia	1	10
6	577 05 99-02	CABLE ASSY		1	10
7	584 25 62-02	BOX	Gray	1	10
7	587 18 97-01	BOX	Orange box from serial number 20143700001	1	10
8	582 82 02-01	LOCK		1	10
9	578 28 48-02	REMOTE CONTROL		1	10
10	586 11 51-01	CONTROL UNIT	Gray	1	
10	587 11 35-01	CONTROL UNIT	Orange box from serial number 20143700001	1	

Go to Discount-Equipment.com to order your parts

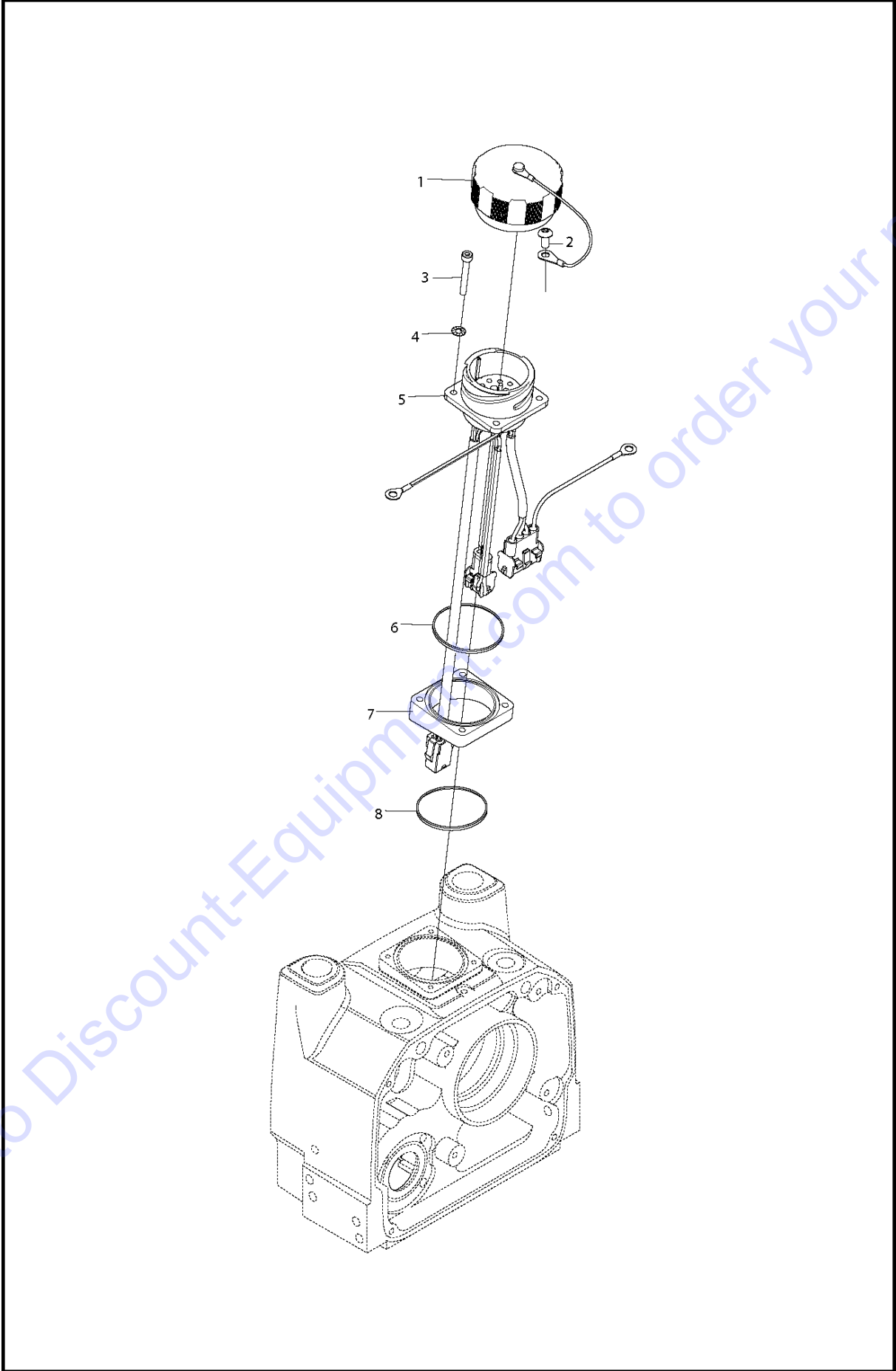


SAW HEAD

WS220, 2013-10

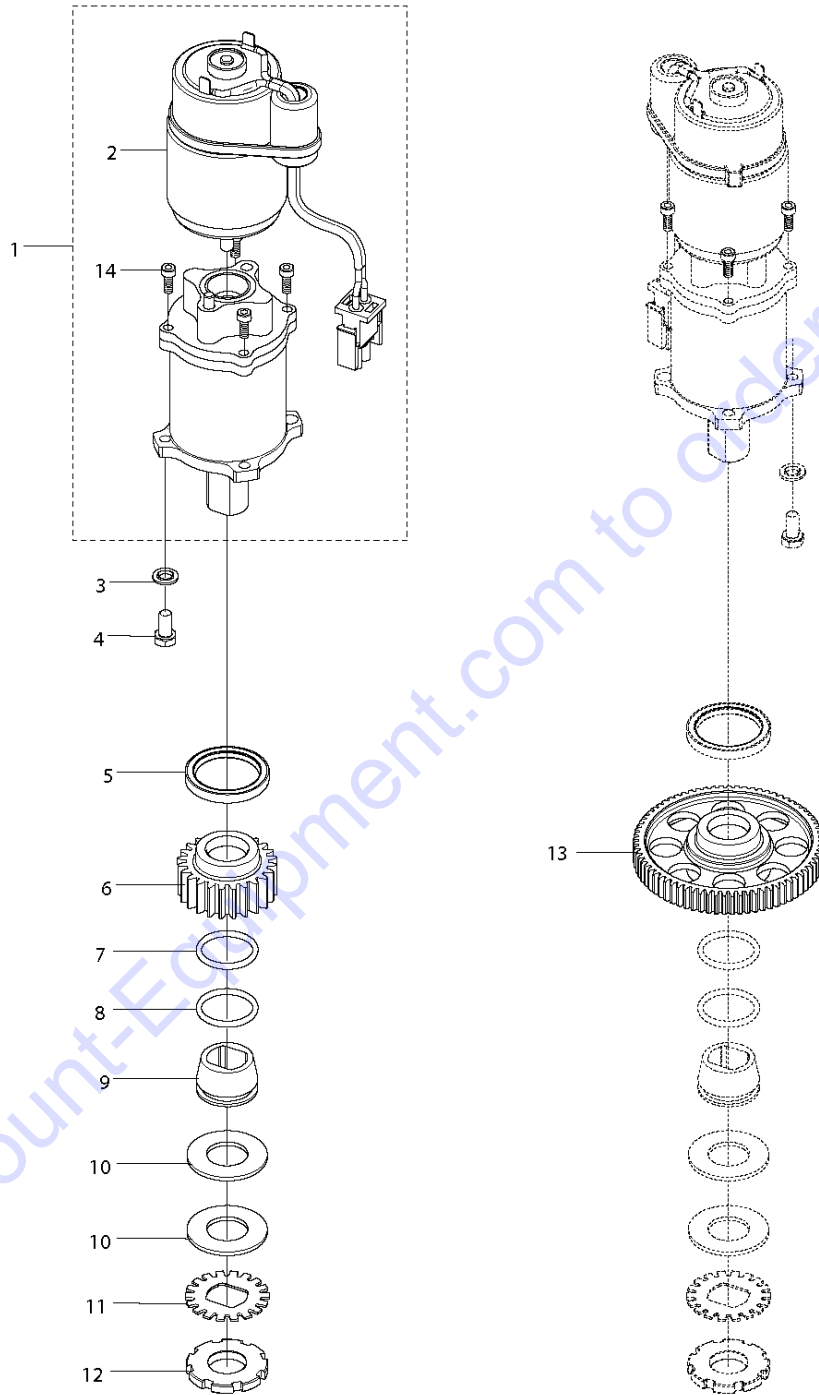
Ref	Part No	Description	Remark	QTY	KIT
1	583 96 26-01	HANDLE TUBE		1	
2	734 11 52-01	WASHER		2	
3	584 23 45-01	SCREW		6	
4	586 92 76-02	HOUSING		1	
5	505 53 80-01	QUICK COUPLING		2	
6	740 38 27-01	SEALING WASHER		2	
7	504 90 83-26	PIN		4	
8	580 74 63-01	SCREW		6	
9	583 85 66-01	TYPE PLATE		1	
10	584 93 05-01	SUPPORT		1	
12	576 23 35-01	ADAPTER		2	
13	583 96 27-01	HOSE		2	
14	576 23 36-01	ADAPTER		2	
15	575 49 30-01	O-RING		1	16
17	584 27 13-01	O-RING		1	
18	574 17 04-03	MOTOR		1	
19	588 15 24-01	SCREW		3	
20	735 21 46-01	LOCKWASHER		1	
21	734 11 46-01	WASHER		1	
22	588 15 25-01	SCREW		1	
23	581 04 20-01	PRINTED CIRCUIT ASSY		1	
24	579 25 51-01	SCREW IHSCFMO		16	
25	588 86 31-01	SCREW		4	
26	575 61 74-01	SCREW		2	
30	588 84 92-01	O-RING		1	
31	586 89 02-01	COVER		1	
32	588 86 28-01	COLLECTOR		1	
33	725 63 70-51	SCREW IHCSFM		1	
34	588 63 02-01	VALVE		1	

Go to Discount-Equipment.com to order your parts



Ref	Part No	Description	Remark	QTY KIT
1	525 73 44-01	LID		1
2	725 53 23-01	SCREW IHSCM		1
3	725 52 99-05	SCREW IHSCM		4
4	580 84 76-01	LOCKWASHER		4
5	578 34 42-01	LINE		2
6	577 98 71-01	GASKET		2
7	580 84 56-01	SPACING BLOCK		1

Go to Discount-Equipment.com to order your parts

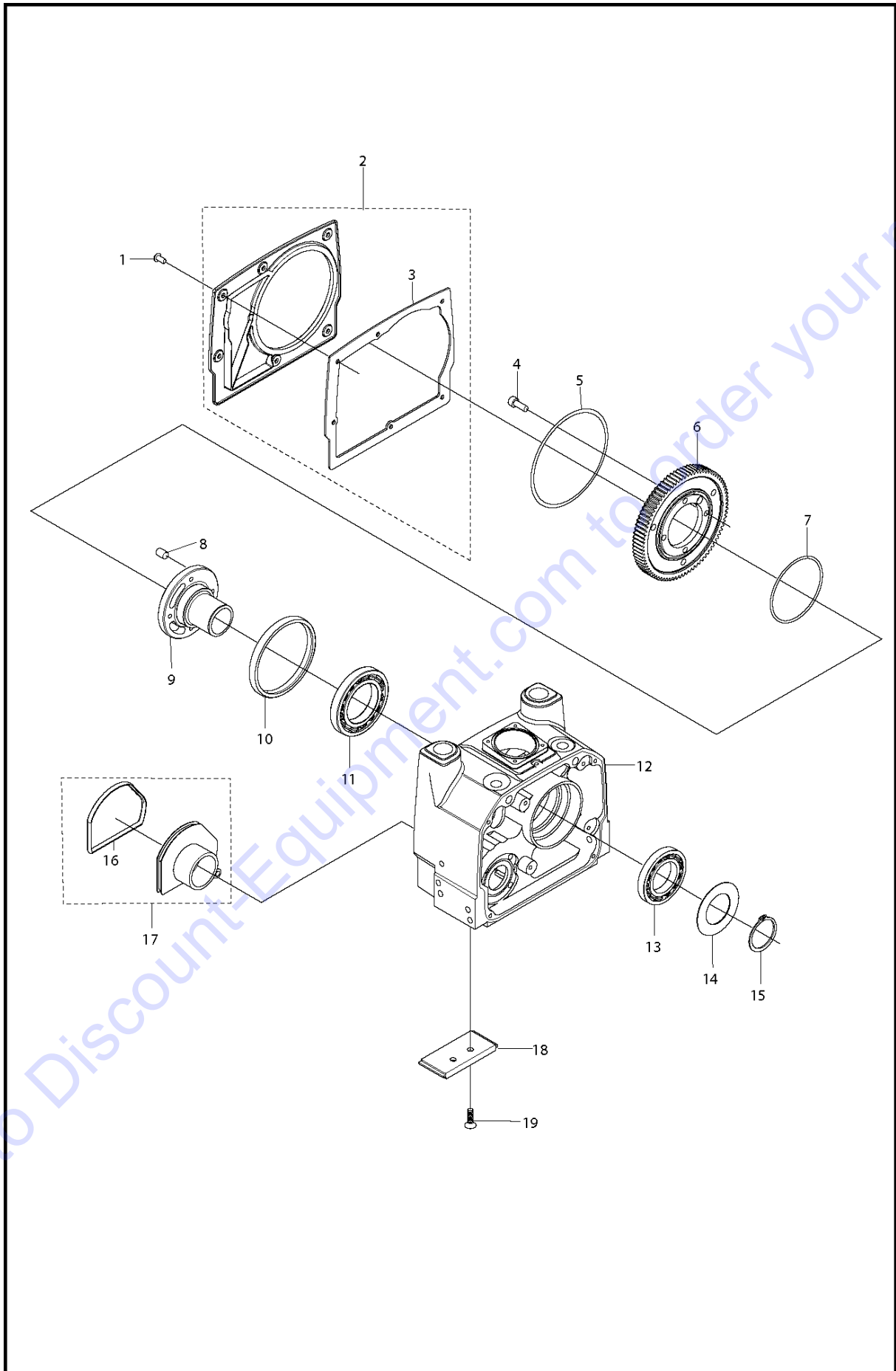


FEEDING MOTORS

WS220, 2013-10

Ref	Part No	Description	Remark	QTY	KIT
1	579 10 33-01	MOTOR		2	
2	577 21 72-01	MOTOR		2	1
3	585 93 42-01	LOCKWASHER		7	
4	586 03 15-01	SCREW		7	
5	576 42 52-01	SEAL		2	
6	581 76 59-01	GEAR WHEEL		1	
7	531 11 92-63	O-RING		2	
8	575 28 43-01	O-RING		2	
9	581 76 82-01	CONE		2	
10	586 55 84-01	DISC SPRING		4	
11	581 84 93-01	LOCKWASHER		2	
12	581 84 92-01	LOCK NUT		2	
13	581 76 58-01	GEAR WHEEL		1	
14	725 52 24-01	SCREW		4	

Go to Discount-Equipment.com to order your parts

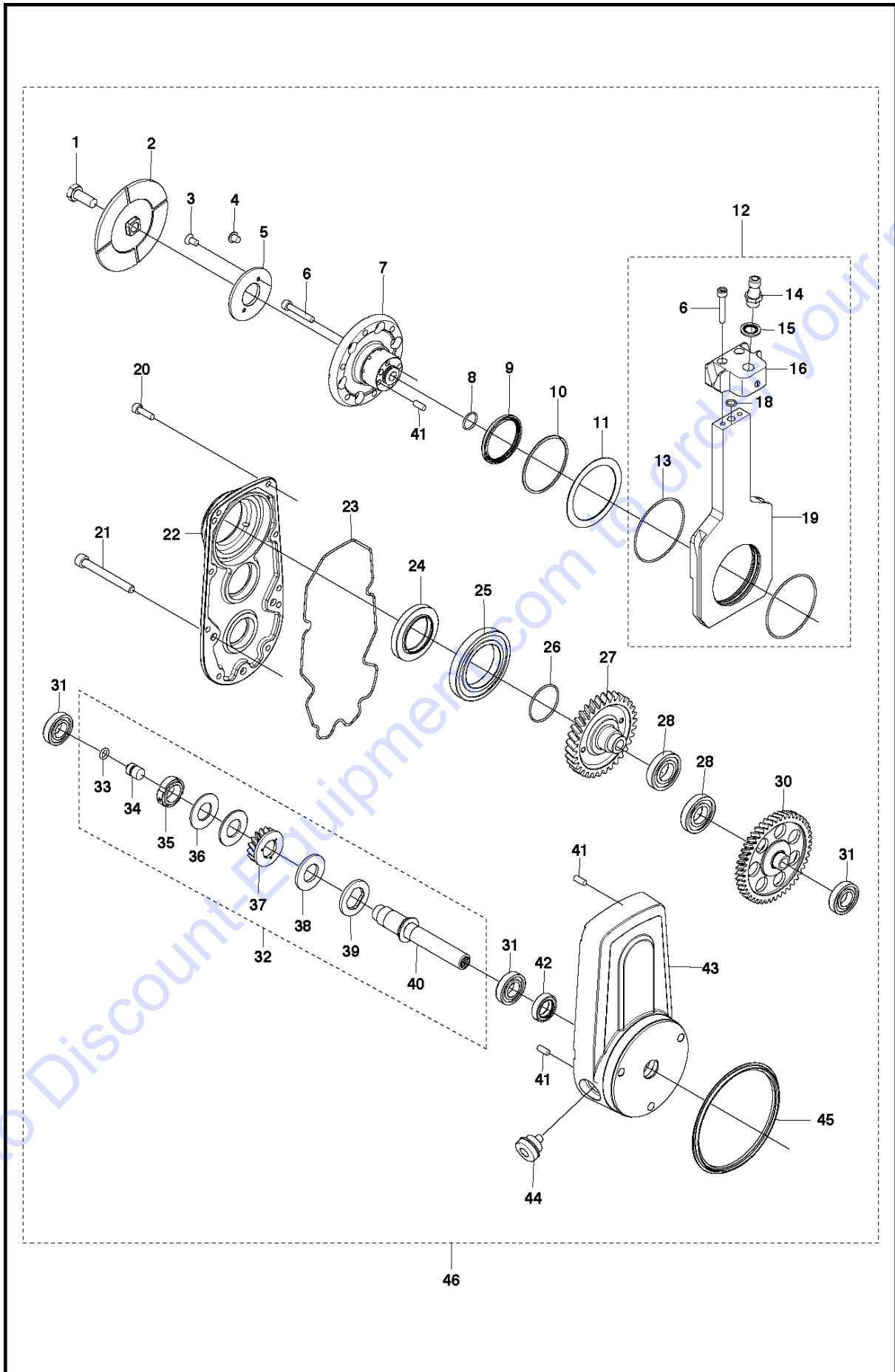


HOUSING

WS220, 2013-10

Ref	Part No	Description	Remark	QTY	KIT
1	578 34 74-01	SCREW		6	
2	583 96 45-01	COVER		1	3
3	577 91 99-01	GASKET		1	
4	584 23 44-01	SCREW		4	
5	576 24 98-01	O-RING		1	
6	581 76 60-01	GEAR WHEEL		1	
7	576 24 97-01	O-RING		1	
8	576 23 40-01	PEN		1	
9	575 86 45-01	SHAFT		1	
10	576 23 38-01	SEAL		1	
11	576 23 39-01	BEARING		1	
12	575 80 65-01	HOUSING		1	
13	531 11 94-43	BEARING		1	
14	577 77 91-01	WASHER		1	
15	576 23 37-01	WASHER		1	
16	583 96 48-01	SEALING STRIP		1	17
17	583 96 46-01	PLUG		1	
18	577 91 95-01	PLATE		1	
19	725 63 70-51	SCREW IHCSFM		2	

Go to Discount-Equipment.com to order your parts



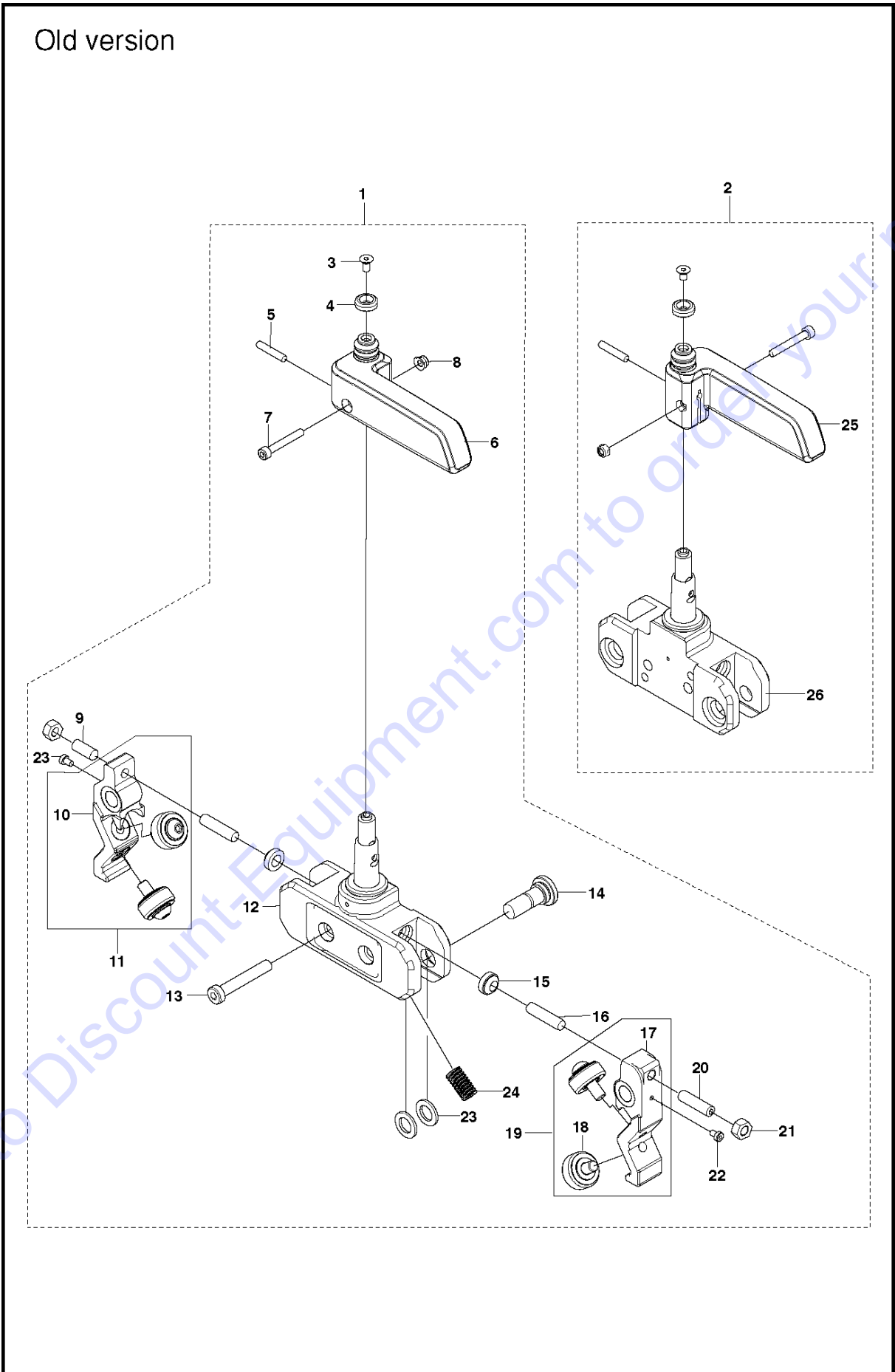
PIVOTING ARM

WS220, 2013-10

Ref	Part No	Description	Remark	QTY	KIT
1	581 04 78-01	SCREW		1	
2	575 26 29-01	FLANGE		1	
3	725 63 66-51	SCREW IHCSFM		2	
4	531 11 95-17	PLUG		6	
5	531 12 30-48	SPACER		1	
6	575 28 51-01	SCREW		6	12
7	575 26 27-01	FLANGE		1	
8	575 28 43-01	O-RING		1	
9	575 28 37-01	SEAL		1	
10	575 28 48-01	SNAP RING		1	
11	575 28 46-01	WASHER		1	
12	579 10 74-01	SLIDING SHOE		1	
13	575 28 44-01	SEAL		2	12
14	505 53 80-01	QUICK COUPLING		1	12
15	740 38 27-01	SEALING WASHER		1	12
16	588 16 40-02	CONNECTION		1	12
18	740 42 06-00	O-RING		1	12
19	581 90 47-01	SLIDING SHOE		1	12
20	725 53 70-01	SCREW IHSCM		8	
21	575 28 56-01	SCREW		3	
22	586 85 97-01	COVER		1	
23	575 28 50-01	O-RING		1	
24	584 23 41-01	SEAL		1	
25	531 11 91-59	BEARING		1	
26	575 28 41-01	O-RING		1	
27	574 97 91-01	GEAR WHEEL		1	
28	576 41 29-01	BEARING		2	
30	586 30 58-01	GEAR ASSY		1	
31	574 88 50-01	BEARING		3	
32	583 92 54-01	SHAFT ASSY		1	
33	583 93 53-01	O-RING		1	32
34	575 27 73-01	PIVOT		1	32
35	575 28 34-01	NUT		1	32
36	531 11 94-76	CUP		2	32
37	583 96 49-01	GEAR ASSY		1	32
38	575 27 77-01	WASHER		1	32
39	575 27 64-01	WASHER		1	32
40	575 26 95-01	SHAFT		1	32
41	504 90 83-26	PIN		3	
42	575 28 36-01	SEAL		1	
43	586 85 80-01	GEAR HOUSING		1	
44	531 11 81-13	PLUG		1	
45	577 91 98-01	RING		1	
46	587 18 40-01	PIVOTING ARM		1	

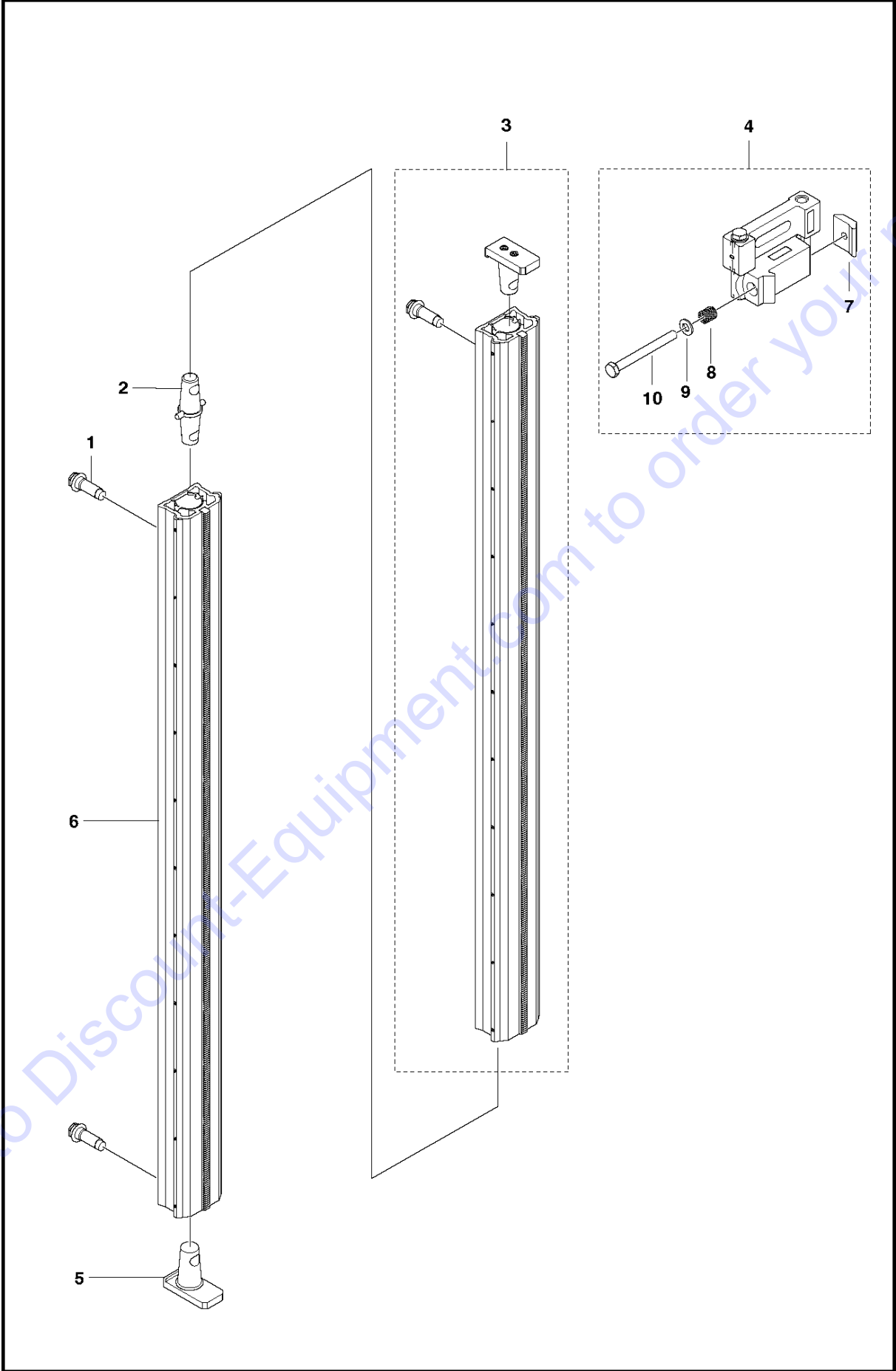
Go to DiscountedEquipment.com to order your parts

Old version



Ref	Part No	Description	Remark	QTY	KIT
1	579 10 36-01	LOCKING HANDLE		1	
2	579 10 37-01	LOCKING HANDLE		1	
3	725 63 25-51	SCREW IHCSFM		2	1,2
4	580 72 53-01	BUTTON		2	1,2
5	575 82 60-01	SEAL		2	1,2
6	583 96 51-01	HANDLE		1	1
7	725 53 37-01	SCREW IHSCM		2	1,2
8	732 25 14-01	HEXAGON LOCKING NUT		2	1,2
9	575 81 41-01	SCREW		2	1
10	575 78 89-01	HANDLE BRACKET		2	1, 11
11	584 14 12-01	HOLDER ASSY		2	1
12	584 14 14-01	HOUSING ASSY		1	1
13	585 99 74-01	SCREW		4	1
14	575 65 33-01	SHAFT		4	1
15	580 72 66-01	SEAL		4	1
16	575 81 43-01	PEN		4	1
17	575 82 68-01	HANDLE BRACKET		2	1, 19
18	583 93 60-01	TRACK ROLLER		8	1, 19
19	584 14 13-01	HOLDER ASSY		2	1
20	585 90 59-01	SCREW		2	1
21	503 22 10-11	HEXAGON NUT		4	1
22	506 06 85-01	SCREW		4	1
23	575 82 67-01	WASHER		8	1
24	575 82 08-01	SPRING		4	1
25	583 96 53-01	HANDLE		1	2
26	584 14 15-01	HOUSING ASSY		1	2

Go to Discount-Equipment.com to order your parts

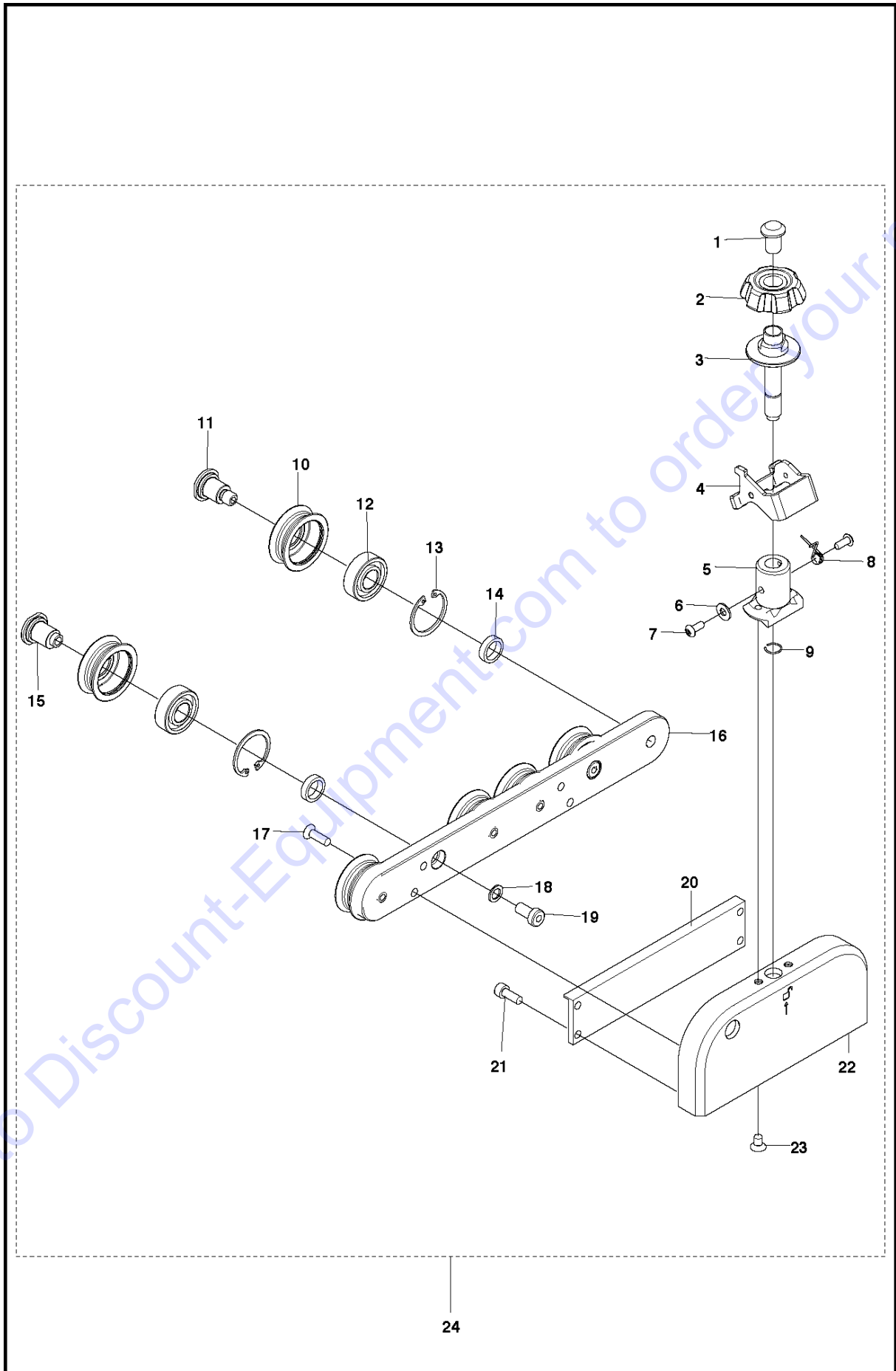


TRACK SYSTEM

WS220, 2013-10

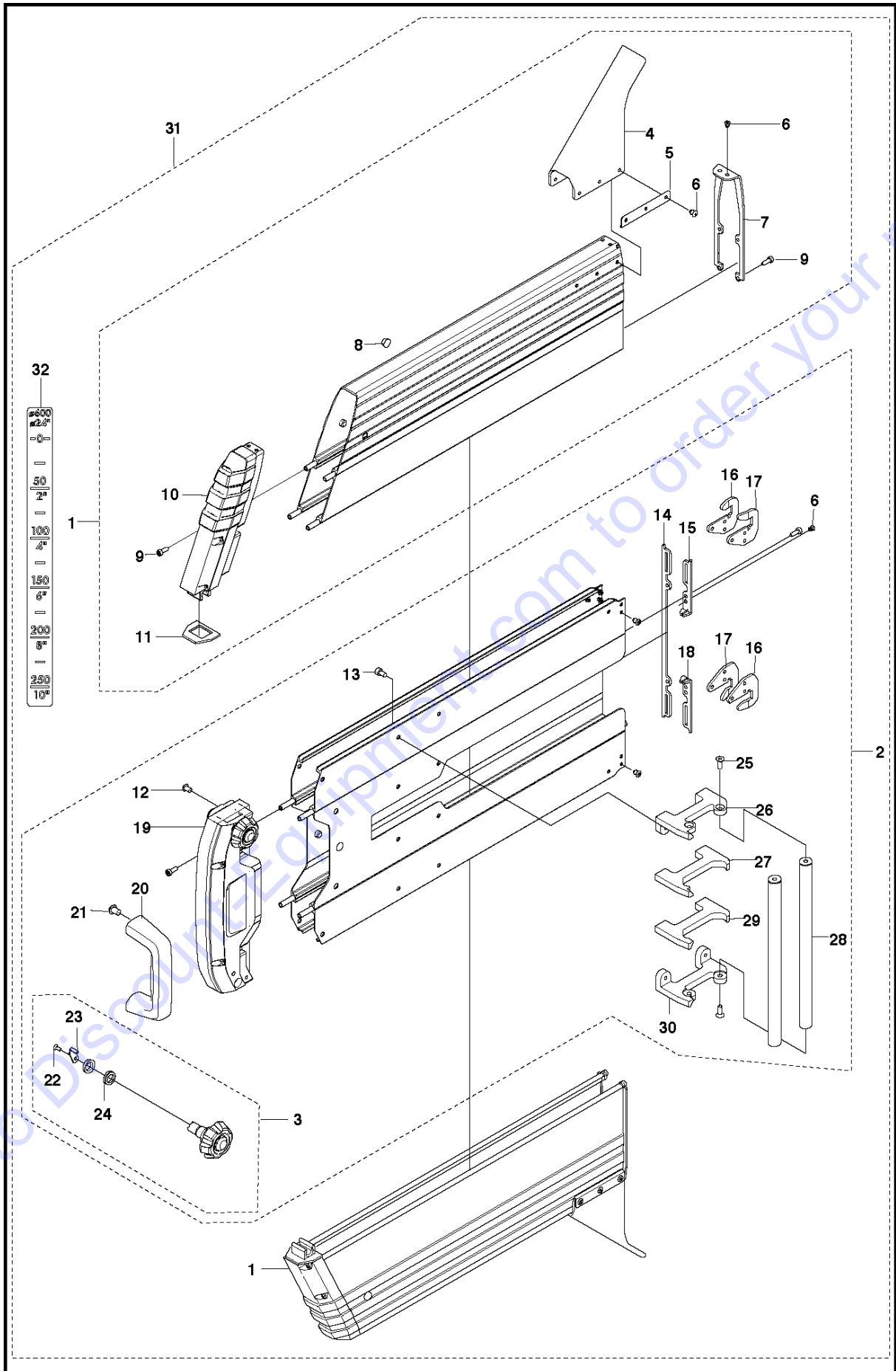
Ref	Part No	Description	Remark	QTY	KIT
1	575 32 04-01	ECCENTRIC DISC		1	
2	583 96 55-01	COUPLING		1	
3	588 98 42-01	PROFILE		1	
4	583 96 57-01	BRACKET		1	
5	590 56 09-01	STOP		1	
6	587 92 58-03	PROFILE		1	
7	581 27 60-01	FIXING PLATE		1	4
8	531 11 93-64	SPRING		2	4
9	734 11 72-01	WASHER		1	4
10	586 14 23-01	SCREW		1	4

Go to Discount-Equipment.com to order your parts



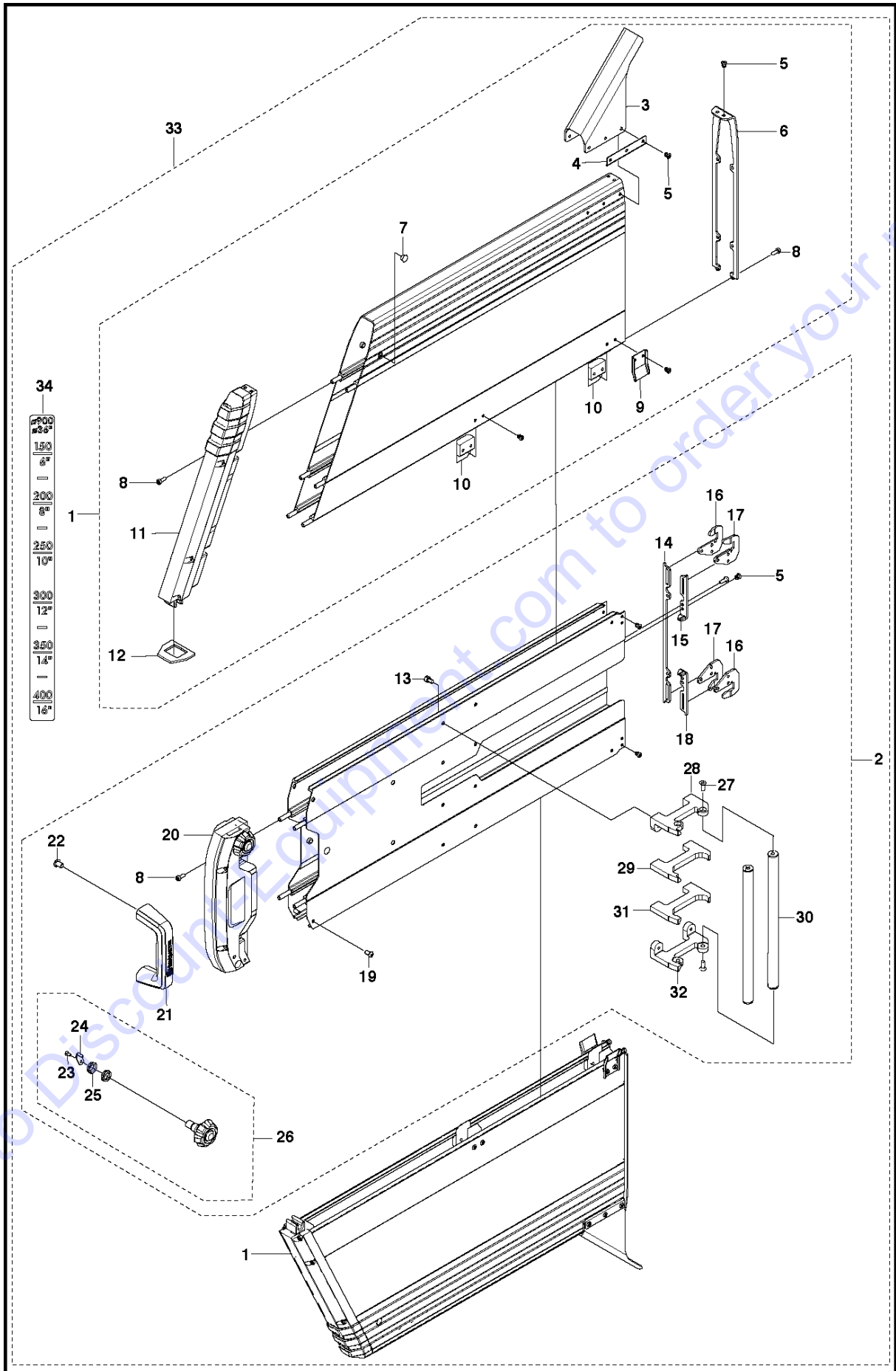
Ref	Part No	Description	Remark	QTY KIT
1	580 26 21-01	NUT		3
2	577 48 53-01	KNOB		3
3	578 30 05-01	SCREW		1
4	580 73 98-01	SHACKLE		1
5	578 30 07-01	SLEEVE		1
6	734 11 46-01	WASHER		1
7	578 34 74-01	SCREW		2
8	580 74 03-01	SPRING		1
9	580 74 62-01	SNAP RING		1
10	531 12 21-83	WHEEL		6
11	531 12 23-58	WHEEL		4
12	580 43 29-01	BEARING		6
13	735 31 33-10	CIRCLIP		6
14	531 12 23-38	SPACER RING		6
15	578 30 06-01	SHAFT		2
16	576 55 95-01	WHEEL BRACKET		1
17	725 63 70-51	SCREW IHCSFM		4
18	531 14 07-12	WASHER		2
19	531 14 06-85	SCREW		2
20	576 55 96-01	PLATE		1
21	725 53 68-01	SCREW IHSCM		4
22	576 55 93-01	PIPE CLAMP		1
23	725 63 66-51	SCREW IHCSFM		2
24	579 10 41-01	GUIDE		2

Go to Discount-Equipment.com to order your parts



Ref	Part No	Description	Remark	QTY	KIT
1	579 10 45-03	BLADE GUARD		2	
2	579 10 45-02	BLADE GUARD		1	
3	586 96 16-02	KNOB		2	1
4	577 48 55-01	SPRAY GUARD		2	1
5	577 48 56-01	WASHER		4	1
6	578 98 77-01	RIVET		30	1, 2
7	576 74 01-01	COVER		2	1
8	580 96 46-01	RUBBER PLUG		6	1
9	504 90 94-14	SCREW ITXSCT		24	1
10	576 14 18-02	COVER		2	1
11	581 01 45-01	GASKET		2	1
12	579 56 60-01	SCREW		4	
13	579 56 59-01	SCREW		8	
14	577 48 50-01	LINK		1	
15	577 48 51-01	LINK		1	
16	577 48 49-01	HITCH		2	
17	577 48 48-01	HITCH		2	
18	577 48 52-01	LINK		1	
19	576 14 17-02	COVER		1	
20	541 40 49-09	HANDLE		1	
21	579 56 61-01	SCREW		2	
22	580 32 73-01	SCREW		2	
23	580 26 22-01	HOOK		2	
24	580 96 45-01	V-RING		4	
25	579 56 58-01	SCREW		4	
26	580 87 80-01	BRACKET		1	
27	579 48 39-01	BRACKET		1	
28	577 44 55-01	GUIDE RAIL		2	
29	580 87 61-01	BRACKET		1	
30	579 48 40-01	BRACKET		1	
31	579 10 45-01	BLADE GUARD		1	
32	587 07 32-01	LABEL		2	

Go to Discount-Equipment.com to order your parts

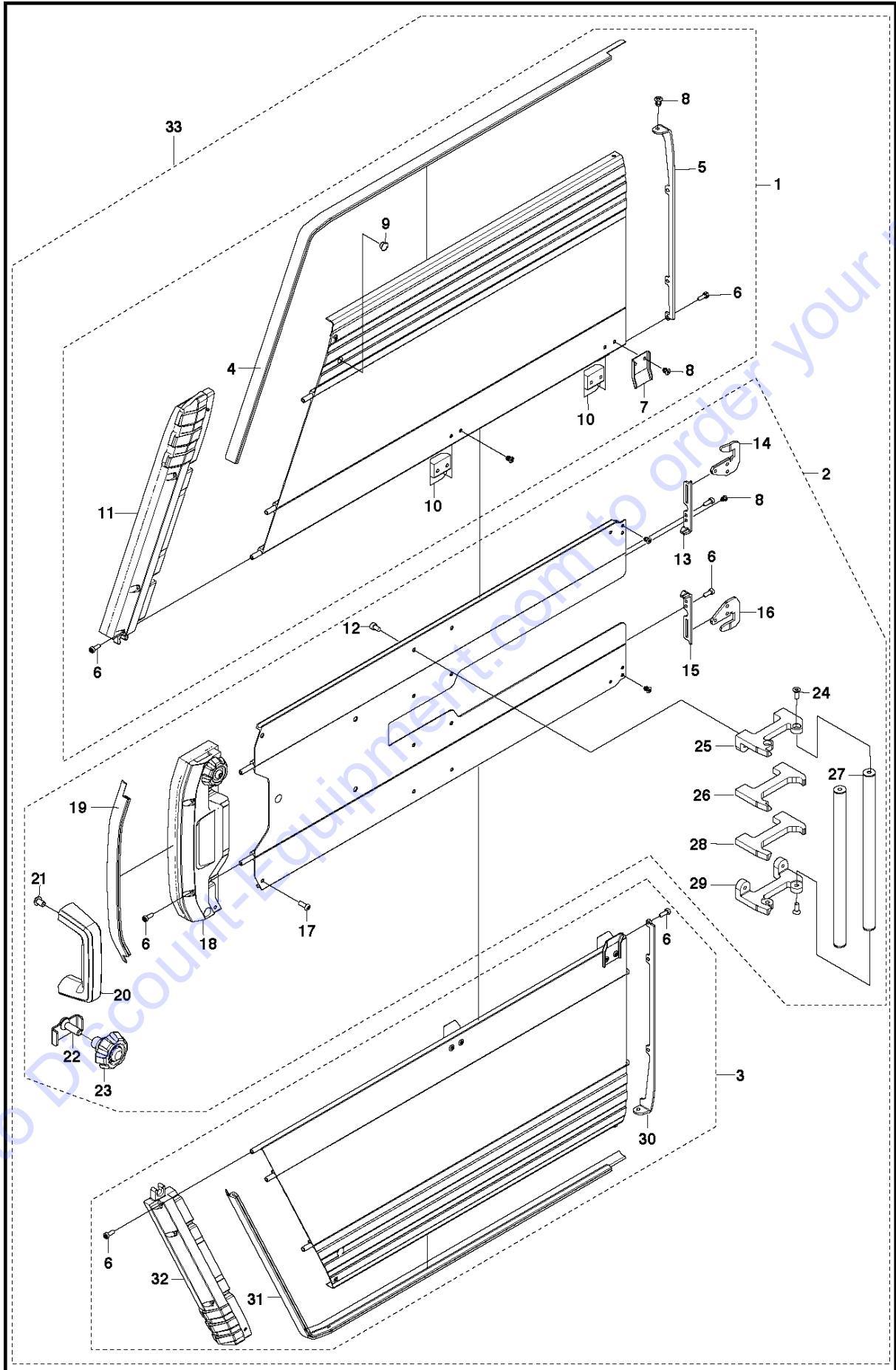


Ref	Part No	Description	Remark	QTY	KIT
1	579 10 46-03	BLADE GUARD		2	
2	579 10 46-02	BLADE GUARD		1	
3	577 48 55-01	SPRAY GUARD		2	1
4	577 48 56-01	WASHER		4	1
5	578 98 77-01	RIVET		46	1, 2
6	577 58 63-01	COVER		2	1
7	580 96 46-01	RUBBER PLUG		6	1
8	504 90 94-14	SCREW ITXSCT		32	1, 2
9	580 32 33-01	GUIDE		4	1
10	579 43 67-01	GUIDE PLATE		8	1
11	576 14 19-02	COVER		2	1
12	581 01 45-01	GASKET		2	1
13	579 56 59-01	SCREW		8	2
14	577 48 50-01	LINK		1	2
15	577 48 51-01	LINK		1	2
16	577 48 49-01	HITCH		2	2
17	577 48 48-01	HITCH		2	2
18	577 48 52-01	LINK		1	2
19	579 56 60-01	SCREW		4	2
20	576 14 17-02	COVER		1	2
21	541 40 49-09	HANDLE		1	2
22	579 56 61-01	SCREW		2	2
23	580 32 73-01	SCREW		2	2, 26
24	580 26 22-01	HOOK		2	2, 26
25	580 96 45-01	V-RING		4	2, 26
26	586 96 16-02	KNOB		2	2
27	579 56 58-01	SCREW		4	2
28	580 87 80-01	BRACKET		1	2
29	579 48 39-01	BRACKET		1	2
30	577 44 55-01	GUIDE RAIL		2	2
31	580 87 61-01	BRACKET		1	2
32	579 48 40-01	BRACKET		1	2
33	579 10 46-01	BLADE GUARD		1	
34	587 07 32-02	LABEL		2	

Go to Discount-Equipment.com to order your parts

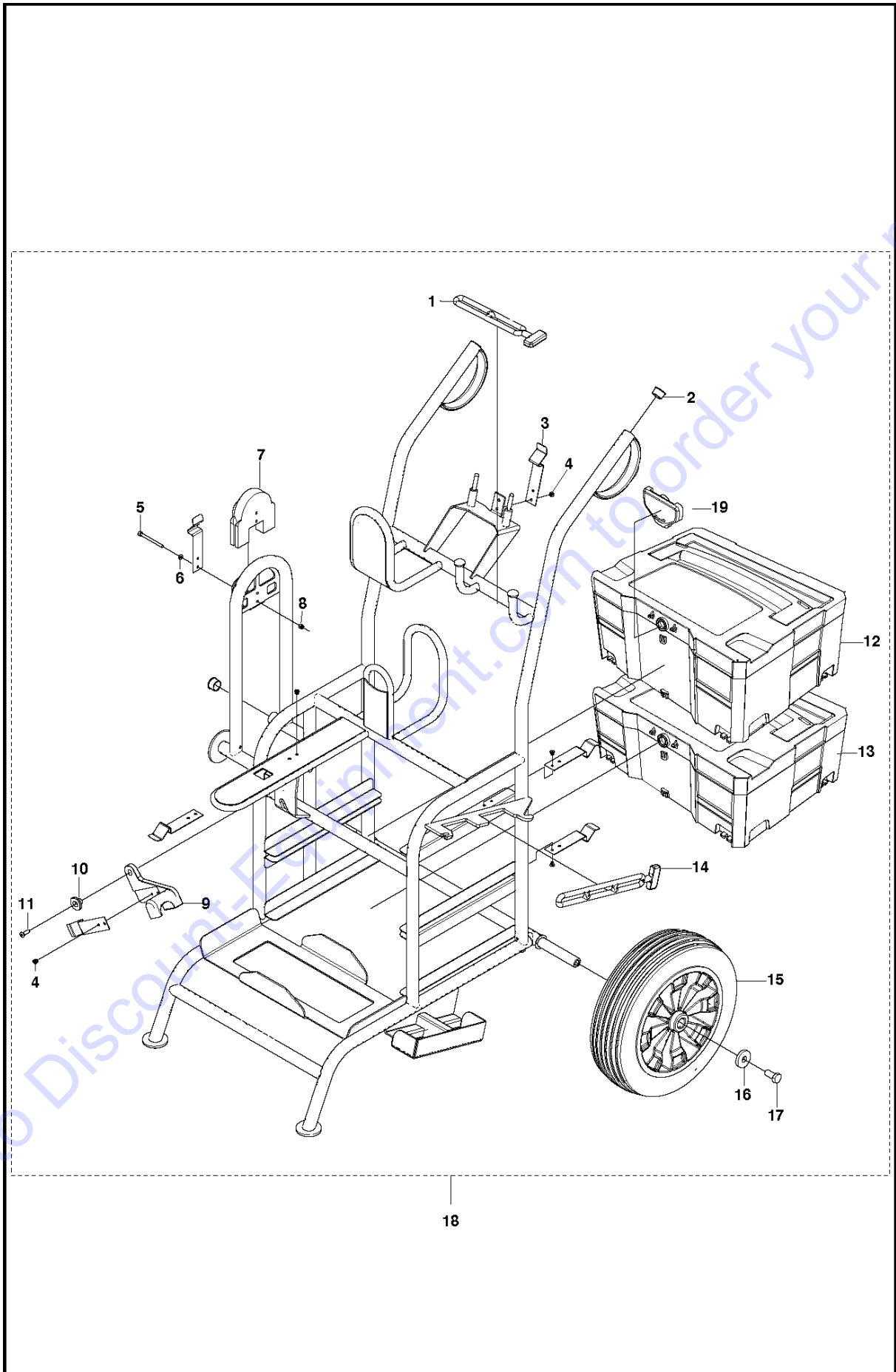
Ref	Part No	Description	Remark	QTY	KIT
1	579 10 47-04	BLADE GUARD		1	
2	579 10 47-02	BLADE GUARD		1	
3	579 10 47-03	BLADE GUARD		1	
4	577 74 52-01	COVER		1	1
5	578 98 77-01	RIVET		10	1, 2
6	577 83 68-01	FITTING		1	1
7	504 90 94-14	SCREW ITXSCT		12	1, 2, 3
8	576 14 18-04	COVER		1	1, 2
9	580 96 46-01	RUBBER PLUG		3	1
10	579 56 59-01	SCREW		8	2
11	577 48 51-01	LINK		1	2
12	577 48 48-01	HITCH		1	2
13	577 48 52-01	LINK		1	2
14	577 48 49-01	HITCH		1	2
15	579 56 60-01	SCREW		2	2
16	576 14 17-03	COVER		1	2
17	577 74 53-01	STRIP		1	2
18	541 40 49-09	HANDLE		1	2
19	579 56 61-01	SCREW		2	2
20	585 52 75-01	HOLDER		2	2
21	580 68 18-01	KNOB		2	2
22	579 56 58-01	SCREW		4	2
23	580 87 80-01	BRACKET		1	2
24	579 48 39-01	BRACKET		1	2
25	577 44 55-01	GUIDE RAIL		2	2
26	580 87 61-01	BRACKET		1	2
27	579 48 40-01	BRACKET		1	2
28	577 83 67-01	FITTING		1	3
29	577 74 51-01	COVER		1	3
30	576 14 18-03	COVER		1	3
31	579 10 47-01	BLADE GUARD		1	

Go to Discount-Equipment.com to order your parts



Ref	Part No	Description	Remark	QTY KIT	
1	579 10 48-04	BLADE GUARD		1	
2	579 10 48-02	BLADE GUARD		1	
3	579 10 48-03	BLADE GUARD		1	
4	577 74 52-02	SEALING STRIP		1	1
5	577 83 73-01	FITTING		1	1
6	504 90 94-14	SCREW ITXSCT		16	1, 2, 3
7	580 32 33-01	GUIDE		2	1
8	578 98 77-01	RIVET		18	1, 2
9	580 96 46-01	RUBBER PLUG		3	1
10	579 43 67-01	GUIDE PLATE		4	1
11	576 14 19-04	COVER		1	1
12	579 56 59-01	SCREW		8	2
13	577 48 51-01	LINK		1	2
14	577 48 52-01	LINK		1	2
15	577 48 48-01	HITCH		1	2
16	577 48 49-01	HITCH		1	2
17	579 56 60-01	SCREW		2	2
18	576 14 17-03	COVER		1	2
19	577 74 53-01	STRIP		1	2
20	541 40 49-09	HANDLE		1	2
21	579 56 61-01	SCREW		2	2
22	585 52 75-01	HOLDER		2	2
23	580 68 18-01	KNOB		2	2
24	579 56 58-01	SCREW		4	2
25	580 87 80-01	BRACKET		1	2
26	579 48 39-01	BRACKET		1	2
27	577 44 55-01	GUIDE RAIL		2	2
28	580 87 61-01	BRACKET		1	2
29	579 48 40-01	BRACKET		1	2
30	577 83 74-01	FITTING		1	3
31	577 74 51-02	SEALING STRIP		1	3
32	576 14 19-03	COVER		1	3
33	579 10 48-01	BLADE GUARD		1	

Go to Discount-Equipment.com to order your parts

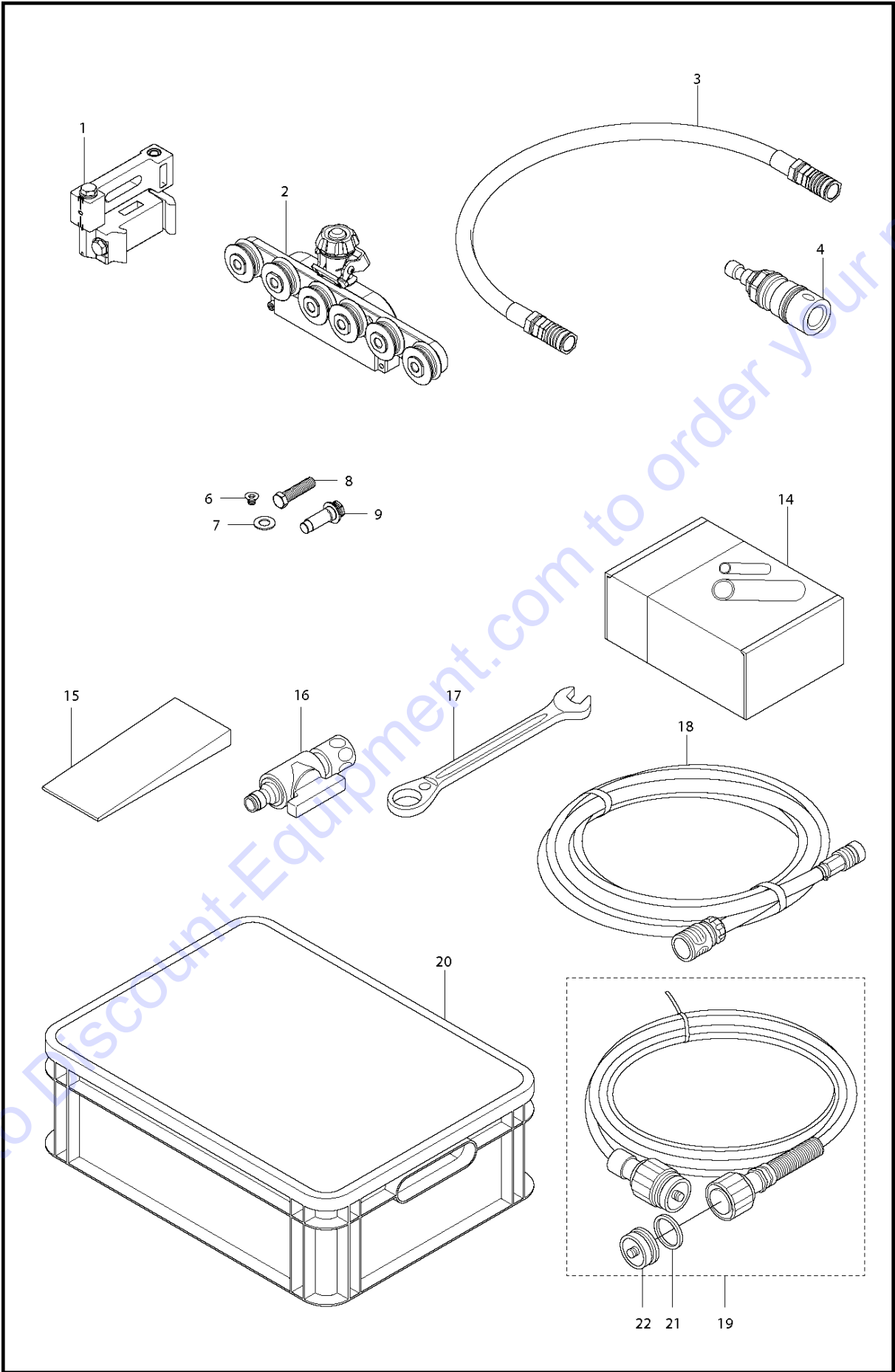


CARRIAGE

WS220, 2013-10

Ref	Part No	Description	Remark	QTY KIT
1	531 11 94-14	STRAP		1
2	578 98 81-01	PLUG		3
3	581 84 96-01	LOCKING SPRING		6
4	581 28 51-01	RIVET		8
5	725 53 43-01	SCREW		2
6	734 11 46-01	WASHER		2
7	581 85 05-01	GUIDE BUSHING		1
8	732 25 14-01	HEXAGON LOCKING NUT		2
9	581 84 95-01	HOLDER		1
10	581 84 94-01	GUIDE BUSHING		1
11	725 63 70-51	SCREW IHCSFM		1
12	584 25 62-01	BOX	Gray	1
12	587 18 97-01	BOX	Orange box from serial number 20143700001	1
13	584 25 61-01	BOX	Gray	1
13	586 45 31-01	BOX	Orange box from serial number 20143700001	1
14	576 64 73-01	STRAP		1
15	584 25 63-01	WHEEL		2
16	531 11 90-31	WASHER		2
17	531 11 92-02	SCREW		2
18	579 10 49-02	WAGON		2
19	582 82 02-01	LOCK		1

Go to Discount-Equipment.com to order your parts



ACCESSORIES

WS220, 2013-10

Ref	Part No	Description	Remark	QTY	KIT
1	583 96 57-01	BRACKET		2	
2	579 10 41-01	GUIDE		1	
3	585 60 69-01	HOSE		1	
4	585 56 41-01	ADAPTER		1	
6	725 64 47-51	SCREW IHCSFM		6	
7	531 11 91-81	WASHER		4	
8	585 12 69-01	SCREW		4	
9	575 32 04-01	ECCENTRIC DISC	Total 5 pcs, 2 spare	2	
14	584 40 94-01	BOLT		50	
15	585 02 20-01	WEDGE		6	
16	585 02 21-01	VALVE		1	
17	577 77 63-01	WRENCH		1	
18	585 85 46-01	HOSE		1	
19	578 37 23-01	CABLE ASSY		1	
20	584 25 61-01	BOX	Gray	1	
20	586 45 31-01	BOX	Orange box from serial number 20143700001	1	
21	586 79 75-01	O-RING		1	19
22	582 15 27-02	LID		1	

Go to Discount-Equipment.com to order your parts

PARTS FINDER

**Search Website
by Part Number**



**Search Manual
Library For Parts
Manual & Lookup Part
Numbers – Purchase
or Request Quote**

Search Manuals

Enter your information to help us find the right parts manual for your machine.

* Brand:

* Model:

* Serial:

* Part Number:

SEARCH

**Can't Find Part or
Manual? Request Help
by Manufacturer,
Model & Description**

Parts Order Form

Please fill in the following information to help us find the right part for your machine.

Manufacturer:	<input type="text"/>
Model:	<input type="text"/>
Description:	<input type="text"/>
Part Number:	<input type="text"/>
Quantity:	<input type="text"/>
Notes:	<input type="text"/>

Discount-Equipment.com is your online resource for quality parts & equipment.

Florida: **561-964-4949** Outside Florida TOLL FREE: **877-690-3101**

Need parts?

Click on this link: <http://www.discount-equipment.com/category/5443-parts/> and choose one of the options to help get the right parts and equipment you are looking for. Please have the machine model and serial number available in order to help us get you the correct parts. If you don't find the part on the website or on one of the online manuals, please fill out the request form and one of our experienced staff members will get back to you with a quote for the right part that your machine needs.

We sell worldwide for the brands: Genie, Terex, JLG, MultiQuip, Mikasa, Essick, Whiteman, Mayco, Toro Stone, Diamond Products, Generac Magnum, Airman, Haulotte, Barreto, Power Blanket, Nifty Lift, Atlas Copco, Chicago Pneumatic, Allmand, Miller Curber, Skyjack, Lull, Skytrak, Tsurumi, Husquvarna Target, Stow, Wacker, Sakai, Mi-T-M, Sullair, Basic, Dynapac, MBW, Weber, Bartell, Bennar Newman, Haulotte, Ditch Runner, Menegotti, Morrison, Contec, Buddy, Crown, Edco, Wyco, Bomag, Laymor, EZ Trench, Bil-Jax, F.S. Curtis, Gehl Pavers, Heli, Honda, ICS/PowerGrit, IHI, Partner, Imer, Clipper, MMD, Koshin, Rice, CH&E, General Equipment, Amida, Coleman, NAC, Gradall, Square Shooter, Kent, Stanley, Tamco, Toku, Hatz, Kohler, Robin, Wisconsin, Northrock, Oztec, Toker TK, Rol-Air, APT, Wylie, Ingersoll Rand / Doosan, Innovatech, Con X, Ammann, Mecalac, Makinex, Smith Surface Prep, Small Line, Wanco, Yanmar