



SPARE PARTS LIST

POWER PACKS

PP 518, 2012-06

Go to Discount-Equipment.com to order your parts



PARTS FINDER

**Search Website
by Part Number**



**Search Manual
Library For Parts
Manual & Lookup Part
Numbers – Purchase
or Request Quote**

Search Manuals

Enter your information to help us find the right parts manual for your machine.

* Brand:

* Model:

* Serial:

* Part Number:

SEARCH

**Can't Find Part or
Manual? Request Help
by Manufacturer,
Model & Description**

Parts Order Form

Please fill in the following information to help us find the right part for your machine.

Manufacturer:	<input type="text"/>
Model:	<input type="text"/>
Description:	<input type="text"/>
Part Number:	<input type="text"/>
Quantity:	<input type="text"/>
Notes:	<input type="text"/>

Submit

Discount-Equipment.com is your online resource for quality parts & equipment.

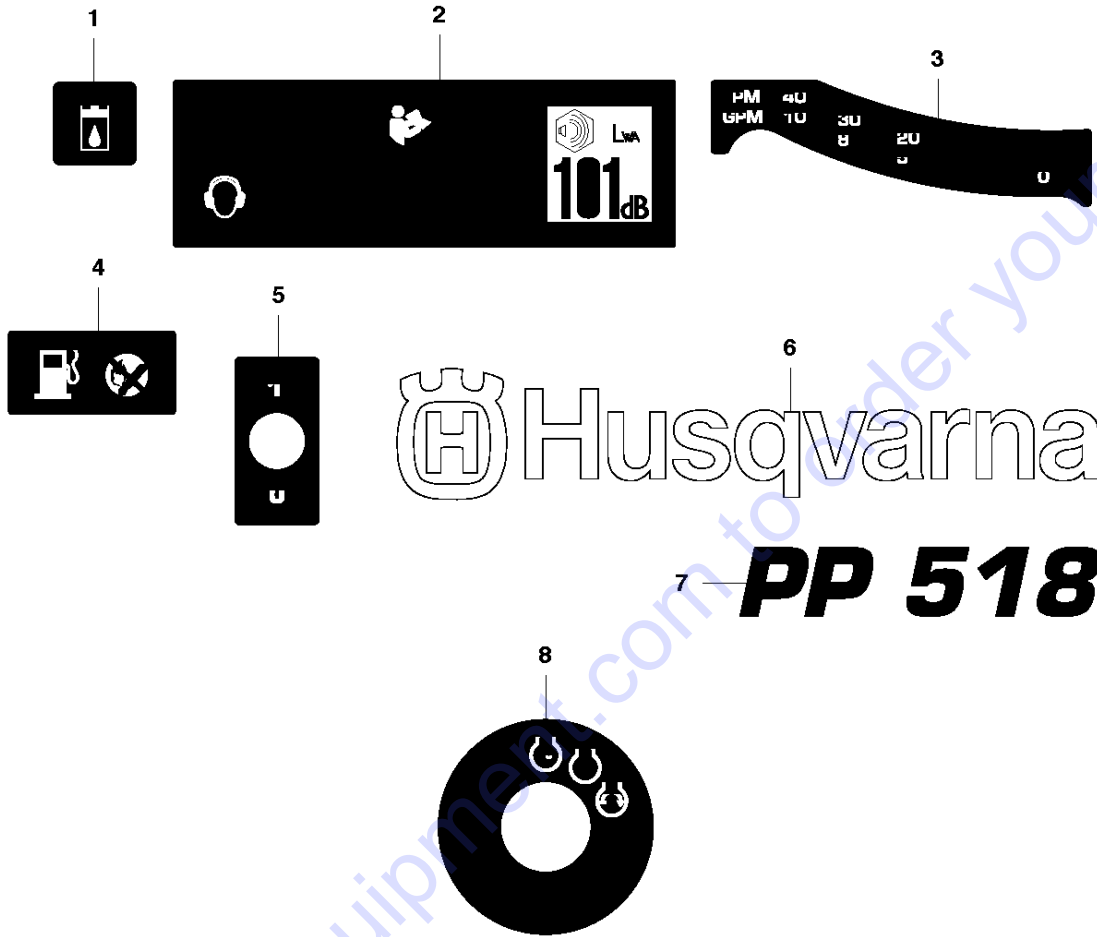
Florida: **561-964-4949** Outside Florida TOLL FREE: **877-690-3101**

Need parts?

Click on this link: <http://www.discount-equipment.com/category/5443-parts/> and choose one of the options to help get the right parts and equipment you are looking for. Please have the machine model and serial number available in order to help us get you the correct parts. If you don't find the part on the website or on one of the online manuals, please fill out the request form and one of our experienced staff members will get back to you with a quote for the right part that your machine needs.

We sell worldwide for the brands: Genie, Terex, JLG, MultiQuip, Mikasa, Essick, Whiteman, Mayco, Toro Stone, Diamond Products, Generac Magnum, Airman, Haulotte, Barreto, Power Blanket, Nifty Lift, Atlas Copco, Chicago Pneumatic, Allmand, Miller Curber, Skyjack, Lull, Skytrak, Tsurumi, Husquvarna Target, Stow, Wacker, Sakai, Mi-T-M, Sullair, Basic, Dynapac, MBW, Weber, Bartell, Bennar Newman, Haulotte, Ditch Runner, Menegotti, Morrison, Contec, Buddy, Crown, Edco, Wyco, Bomag, Laymor, EZ Trench, Bil-Jax, F.S. Curtis, Gehl Pavers, Heli, Honda, ICS/PowerGrit, IHI, Partner, Imer, Clipper, MMD, Koshin, Rice, CH&E, General Equipment, Amida, Coleman, NAC, Gradall, Square Shooter, Kent, Stanley, Tamco, Toku, Hatz, Kohler, Robin, Wisconsin, Northrock, Oztec, Toker TK, Rol-Air, APT, Wylie, Ingersoll Rand / Doosan, Innovatech, Con X, Ammann, Mecalac, Makinex, Smith Surface Prep, Small Line, Wanco, Yanmar

F PP518
DECALS

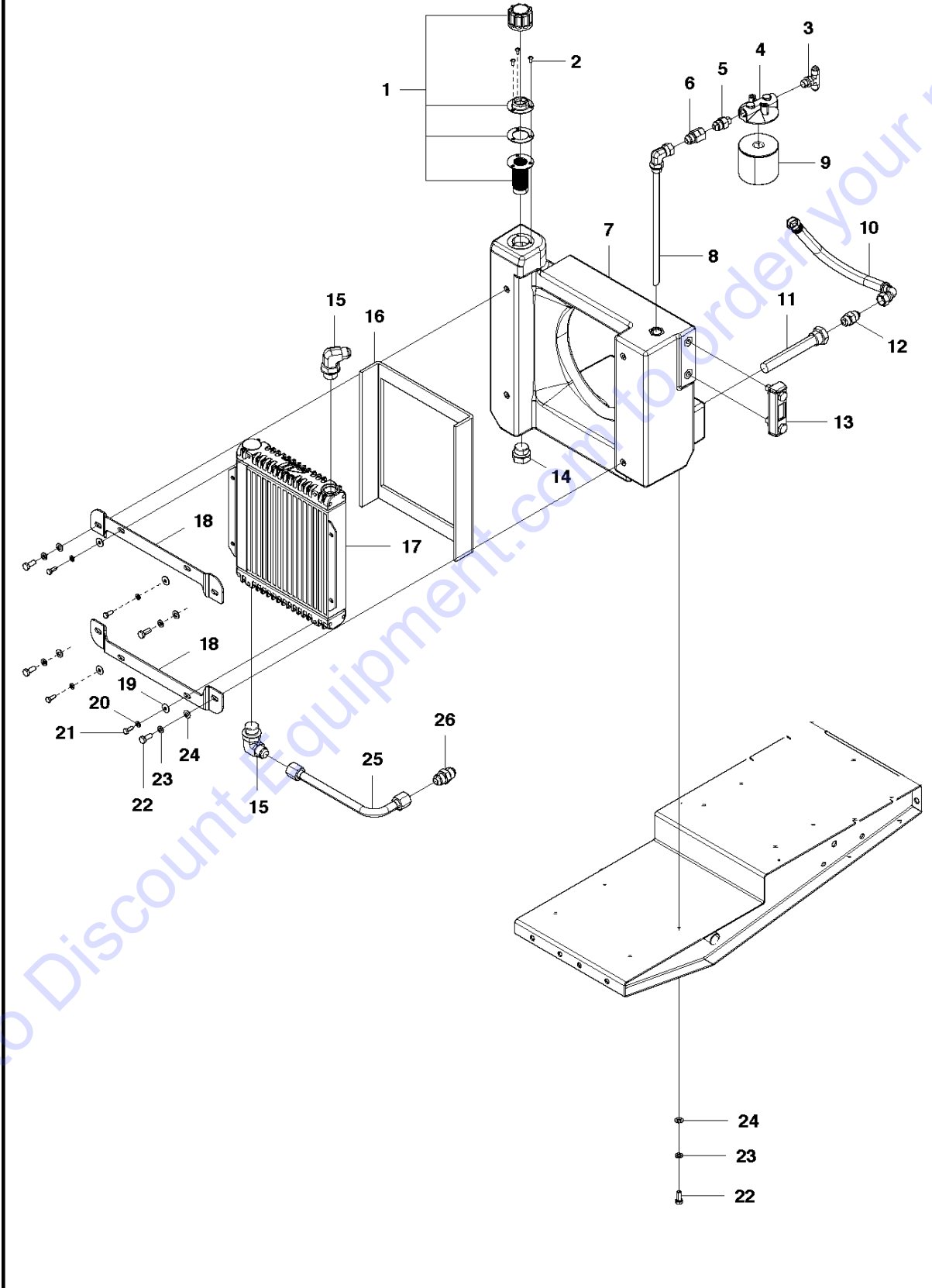


Go to Discount-Equipment.com to order your parts

Ref	Part no.	Description	Remark	Qty	Kit
1	580 94 02-01	DEKAL		1	
2	580 94 03-01	DEKAL		1	
3	580 94 04-01	DEKAL		1	
4	580 94 05-01	DEKAL		1	
5	580 94 06-01	DEKAL		1	
6	577 46 90-01	DEKAL		3	
7	580 94 07-01	DEKAL		2	
8	580 94 08-01	DEKAL		1	

Go to Discount-Equipment.com to order your parts

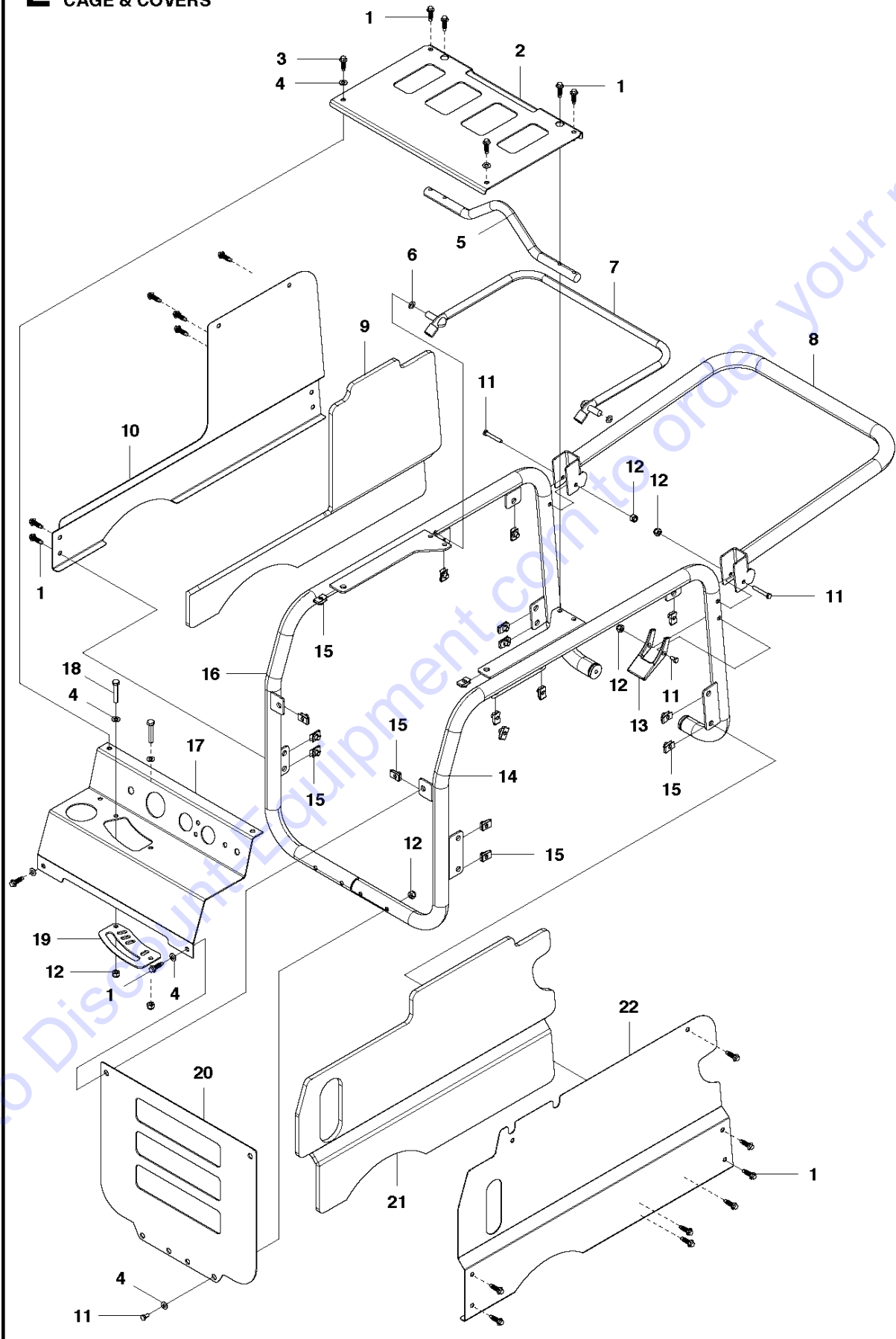
C PP518
HYDRAULIC TANK ASSY



Ref	Part no.	Description	Remark	Qty	Kit
1	510 02 37-01	FYLLNADSSTYCKE		1	
2	542 02 04-24	RHMS, #10-32 x .375 BRASS		3	
3	510 05 70-30	FITTING		1	
4	542 16 64-48	FILTER HEAD		1	
5	541 20 50-19	FITTING		1	
6	580 65 83-01	FITTING		1	
7	579 63 32-01	TANK		1	
8	506 00 62-02	RÖR		1	
9	542 16 64-49	FS1200T FILTER HYDRAULI./		1	
10	510 20 23-02	SLANG		1	
11	541 20 75-23	NÄT		1	
12	541 20 49-75	HYD.FIT.. 6400-8 STRIPE MCHN		1	
13	521 90 40-01	NIVÅGLAS		1	
14	510 05 70-23	FITTING		1	
15	510 05 70-06	FITTING		2	
16	505 17 60-02	SEAL		1	
17	505 17 58-01	KYLARELEMENT		1	
18	505 17 59-01	FÄSTE		2	
19	734 11 54-41	BRICKA		4	
20	735 11 53-01	BRICKA		4	
21	725 23 66-71	SKRUV EHHM		4	
22	725 24 51-71	SKRUV EHHM		8	
23	735 11 64-01	FJÄDERBRICKA		8	
24	734 11 63-01	BRICKA		8	
25	510 10 49-02	RÖR		1	
26	510 05 70-28	FITTING		1	

Go to Discount-Equipment.com to order your parts

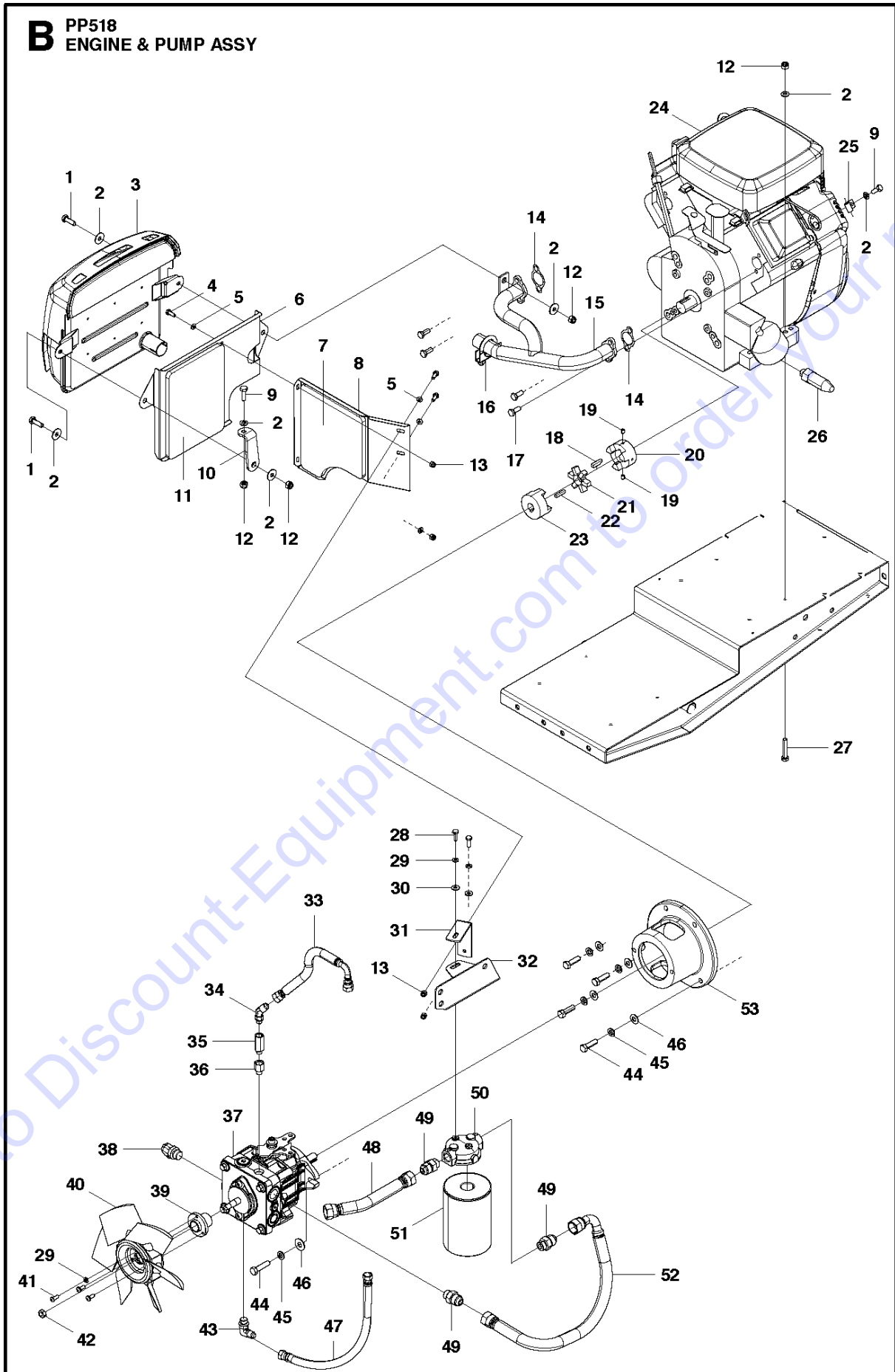
E PP518
CAGE & COVERS



Ref	Part no.	Description	Remark	Qty	Kit
1	542 19 90-53	HWH BODY BOLT W/DOG/PT M8-1.25		20	
2	578 91 82-01	PANEL		1	
3	725 24 55-71	SKRUV EHHM		2	
4	734 11 63-01	BRICKA		10	
5	579 64 04-01	SVÄRD		1	
6	740 43 04-00	O-RING		2	
7	579 66 11-01	HÅLLARE		1	
8	505 19 07-03	HANDTAG		1	
9	580 69 71-01	MATTA		1	
10	578 91 83-01	PANEL		1	
11	725 24 62-71	SKRUV EHHM		7	
12	732 25 18-01	HEXAGON LOCKING NUT		9	
13	541 20 75-69	HANDTAG		1	
14	579 64 01-01	RAM		1	
15	542 16 75-55	MUTTER		19	
16	579 64 00-01	RAM		1	
17	578 91 84-01	PANEL		1	
18	725 24 51-71	SKRUV EHHM		2	
19	579 61 37-01	PANEL		1	
20	578 92 01-01	PANEL		1	
21	580 69 68-01	MATTA		1	
22	579 59 42-01	PANEL		1	

Go to Discount-Equipment.com to order your parts

B PP518
ENGINE & PUMP ASSY



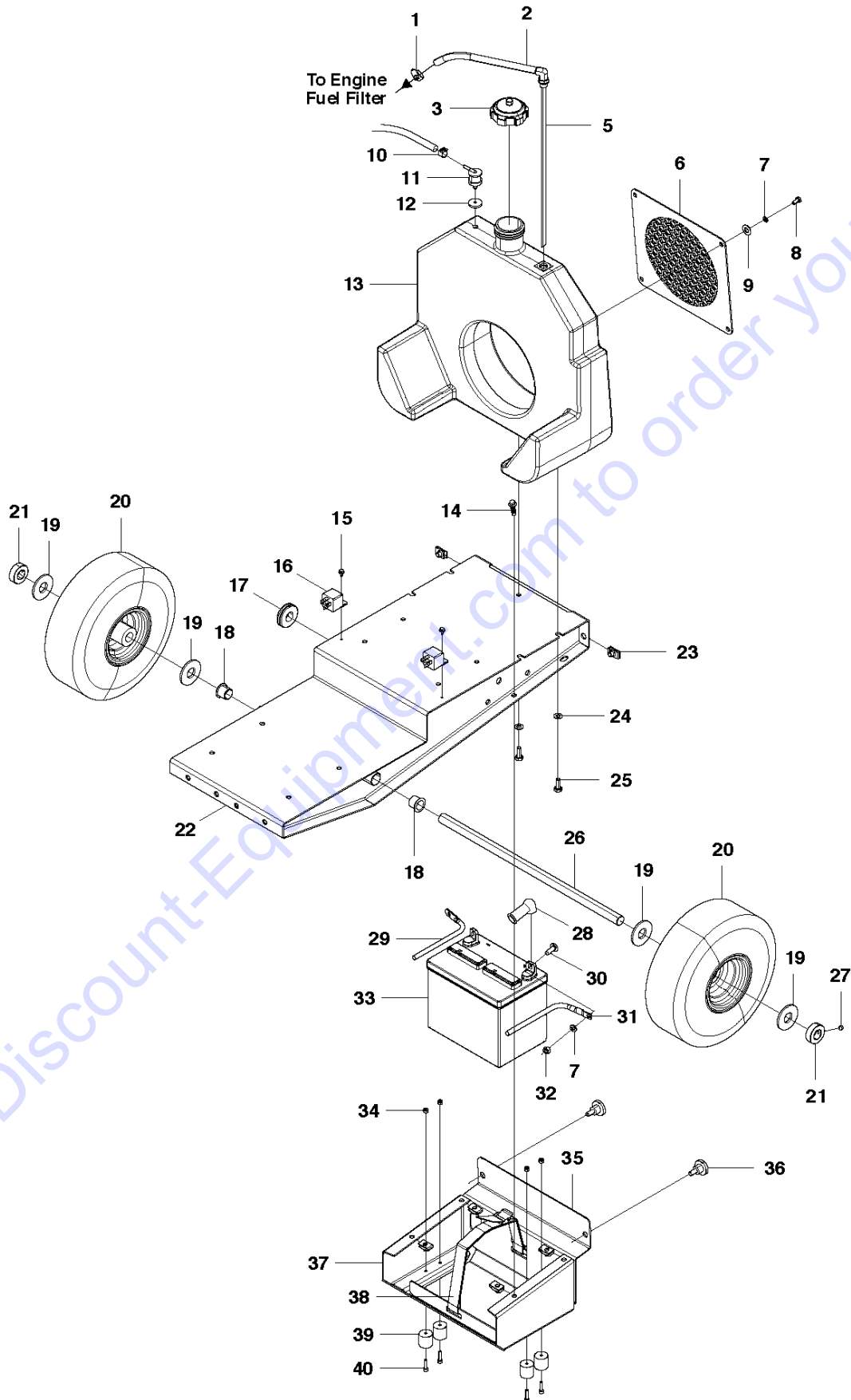
MOTOR

PP 518, 2012-06

Ref	Part no.	Description	Remark	Qty	Kit
1	725 23 68-71	SKRUV EHHM		2	
2	734 11 63-01	BRICKA		11	
3	577 81 36-01	LJUDDÄMPARE		1	
4	725 23 66-71	SKRUV EHHM		4	
5	734 11 52-01	BRICKA		7	
6	578 91 85-01	VÄRMESKÖLD		1	
7	580 69 73-01	MATTA		1	
8	580 60 60-01	SKÄRM		1	
9	725 24 51-71	SKRUV EHHM		5	
10	578 91 75-01	FÄSTE		1	
11	580 69 76-01	MATTA		1	
12	732 25 18-01	HEXAGON LOCKING NUT		7	
13	732 25 16-01	HEXAGON LOCKING NUT		4	
14	510 02 45-01	PACKNING		2	
15	578 91 80-01	MELLANSTYCKE		1	
16	506 66 84-01	AVGASKLAMMA KPL.		1	
17	510 02 46-01	SKRUV		4	
18	510 11 22-01	TANGENT		1	
19	542 02 05-41	SHSS, .25-20 X.375 CUP HK/CONCR		2	
20	541 20 73-39	KOPPLING		1	
21	510 20 62-01	INSATS		1	
22	542 19 93-52	KEIL 5MM SQ. 25MM		1	
23	541 20 75-09	KOPPLING		1	
24	510 02 31-04	MOTOR		1	
25	542 16 66-74	CLAMP, VINYL COATED/3/8 X 3/8		1	
26	542 16 69-07	VALVE/		1	
27	725 24 60-71	SKRUV EHHM		4	
28	505 62 75-01	HEX BOLT 1/4-20-3/4 S.S.		2	
29	735 11 53-01	BRICKA		5	
30	734 11 54-41	BRICKA		4	
31	580 60 61-01	FÄSTE		1	
32	578 91 74-01	FÄSTE		1	
33	578 91 92-01	HYDRAULSLANG		1	
34	510 05 70-29	FITTING		1	
35	541 20 75-62	VENTIL		1	
36	510 05 70-02	FITTING		1	
37	510 02 30-01	PUMP		1	
38	541 20 48-07	FITTING		1	
39	505 16 38-02	ADAPTER		1	
40	505 16 39-02	FLÄKT		1	
41	542 17 62-01	SKRUV		3	
42	542 02 01-98	MUTTER		1	
43	539 30 03-10	HYD FIT 6801-6		1	
44	505 72 76-01	HEX BOLT 3/8-16X1 1/4 CAD GR 5		6	
45	539 99 01-18	BRICKA		6	
46	539 99 01-22	BRICKA		6	
47	578 91 93-01	HYDRAULSLANG		1	
48	579 00 11-01	HYDRAULSLANG		1	
49	510 05 70-01	FITTING		3	
50	510 02 32-01	FILTER		1	
51	510 02 33-02	FILTER		1	
52	578 91 89-01	HYDRAULSLANG		1	
53	541 20 73-36	MOUNT		1	

Go to DisassemblyEquipment.com to order your parts

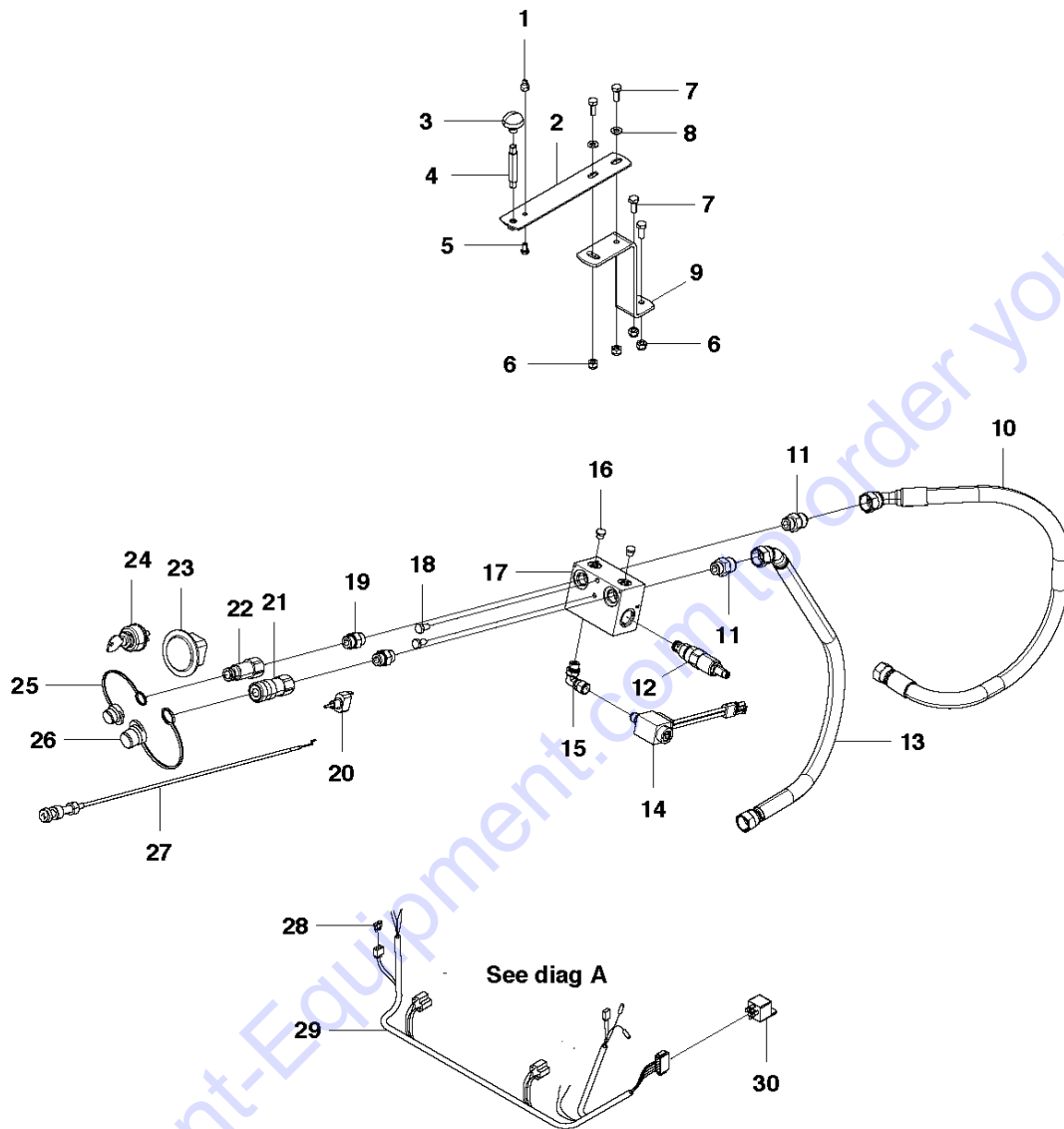
A PP518
FRAME, FUEL TANK & BATTERY



Ref	Part no.	Description	Remark	Qty	Kit
1	577 81 35-01	ÖVERFALL		1	
2	510 20 23-16	SLANG		1	
3	577 54 17-04	HATT		1	
5	541 20 75-84	RÖR		1	
6	541 20 75-90	KÅPA		1	
7	735 11 53-01	BRICKA		6	
8	725 23 66-71	SKRUV EHHM		4	
9	734 11 54-41	BRICKA		4	
10	577 81 35-02	ÖVERFALL		1	
11	576 61 81-01	VENTIL		1	
12	576 61 82-01	GENOMFÖRING		1	
13	581 86 49-01	BRÄNSLETANK		1	
14	542 19 90-53	HWH BODY BOLT W/DOG/PT M8-1.25		4	
15	541 20 76-27	SCREW		2	
16	542 16 67-08	RELAIS FS902T/02/03/		2	
17	504 01 08-01	GENOMFÖRING		1	
18	541 20 76-13	LAGER		2	
19	576 87 89-30	BRICKA		4	
20	542 16 90-59	HJUL		2	
21	541 20 10-90	KRAGE		2	
22	579 00 54-01	BOTTENPLATTA		1	
23	542 16 75-55	MUTTER		6	
24	734 11 63-01	BRICKA		5	
25	725 24 51-71	SKRUV EHHM		5	
26	541 20 75-19	AXEL		1	
27	542 02 05-49	SHSS. .3125-18 X .3125 HK		2	
28	542 17 70-66	RUBBER BOOT. BATT. TERM./BLACK		1	
29	542 18 20-04	KABEL		1	
30	725 23 70-71	SKRUV EHHM		2	
31	510 03 39-01	KABEL		1	
32	731 23 16-01	MUTTER (HEXAGON)		2	
33	522 95 02-01	BATTERI		1	
34	732 25 14-01	HEXAGON LÅSMUTTER		4	
35	578 91 97-01	BATTERILÅDA		1	
36	579 00 55-01	SCREW		2	
37	578 91 96-01	BATTERILÅDA		1	
38	578 91 98-01	SPÄNNBAND		1	
39	506 01 39-01	STÖTFÅNGARE		4	
40	542 17 23-89	SKRUV		4	

Go to Discount-Equipment.com to order your parts

D PP518
CONTROL & MANIFOLD ASSY

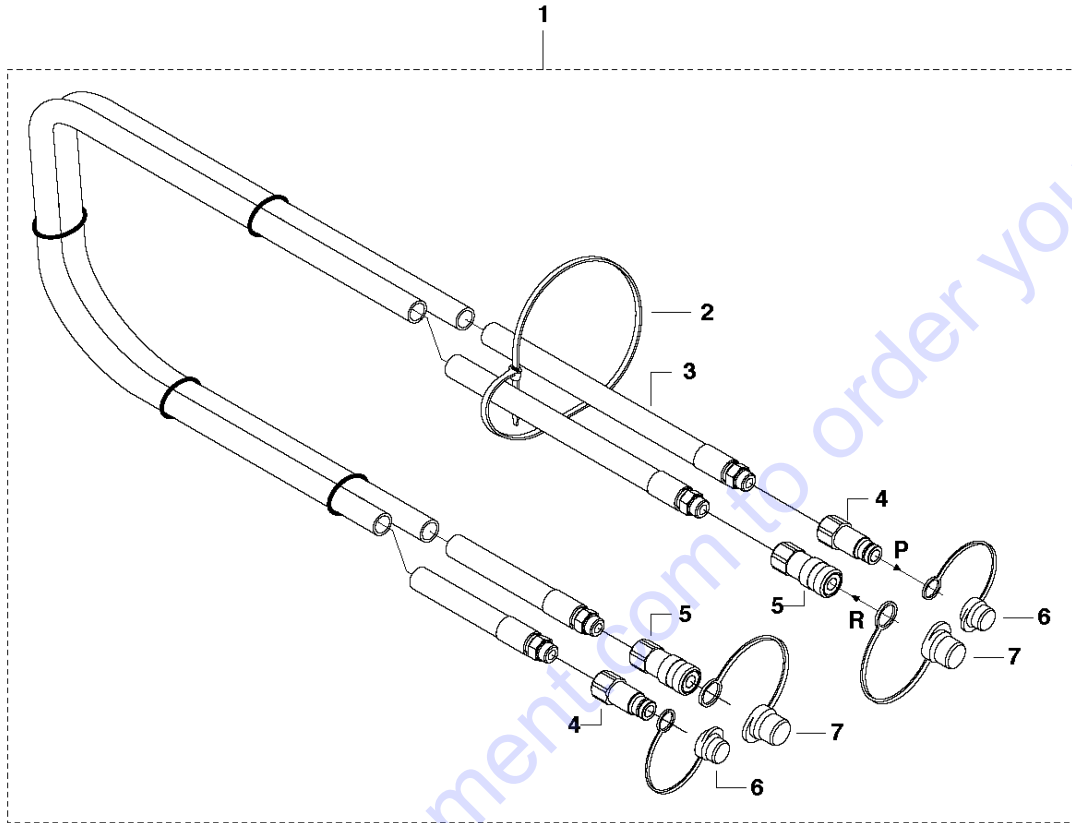


Go to Discount-Equipment.com to order your parts

Ref	Part no.	Description	Remark	Qty	Kit
1	578 91 71-01	INDIKATOR		1	
2	578 91 69-01	HÄVARM		1	
3	506 38 54-01	KNOPP		1	
4	578 91 72-01	HANDTAG		1	
5	725 23 66-71	SKRUV EHHM		1	
6	732 25 18-01	HEXAGON LOCKING NUT		4	
7	725 24 51-71	SKRUV EHHM		4	
8	734 11 63-01	BRICKA		2	
9	578 92 00-01	FÄSTE		1	
10	578 91 91-01	HYDRAULSLANG		1	
11	510 05 70-01	FITTING		2	
12	520 29 17-01	VENTIL		1	
13	578 91 90-01	HYDRAULSLANG		1	
14	520 29 25-01	BRYTARE		1	
15	510 05 70-25	FITTING		1	
16	576 19 11-85	FITTING		2	
17	505 00 43-02	MELLANSTYCKE		1	
18	542 19 90-53	HWH BODY BOLT W/DOG/PT M8-1.25		2	
19	541 20 75-43	FITTING		2	
20	542 19 96-48	BRYTARE		1	
21	541 20 75-44	FITTING		1	
22	541 20 75-45	FITTING		1	
23	504 74 13-01	TIMMÄTARE		1	
24	542 17 79-20	KEYSWITCH. W/KEY & HARDWARE		1	
25	506 11 44-01	DUST PROTECTION		1	
26	506 17 37-01	DAMMSKYDD		1	
27	580 75 93-01	KABLAGE KPL		1	
28	542 16 68-55	SÄKRING		1	
29	579 63 36-01	SELE		1	
30	542 16 67-08	RELAIS FS902T/02/03/		1	

Go to Discount-Equipment.com to order your parts

G PP518
HOSE SET



Go to Discount-Equipment.com to order your parts

Ref	Part no.	Description	Remark	Qty	Kit
1	510 20 23-06	SLANG	HOSE 1 Incl. 2 - 7, 1/2" x 25'	1	
1	510 20 23-08	SLANG	HOSE 1 Incl. 2 - 7, 5/8" x 25'	1	1
1	510 20 23-10	SLANG	HOSE 1 Incl. 2 - 7, 5/8" x 50'	1	1
2	542 16 62-14	BUNTBAND	TIE WRAP 2	5	1
3	510 20 23-07	SLANG	HOSE 2 1/2" x 25'	2	1
3	510 20 23-09	SLANG	HOSE 2 5/8" x 25'	2	1
3	510 20 23-11	SLANG	HOSE 2 5/8" x 50'	2	1
4	541 20 75-45	FITTING	FITTING 2 Male	2	1
5	541 20 75-44	FITTING	FITTING 2 Female	2	1
6	506 11 44-01	DUST PROTECTION	DUST PROTECTION 2	2	1
7	506 17 37-01	DAMMSKYDD	DUST COVER 2	2	1

Go to Discount-Equipment.com to order your parts

PARTS FINDER

**Search Website
by Part Number**



**Search Manual
Library For Parts
Manual & Lookup Part
Numbers – Purchase
or Request Quote**

Search Manuals

Enter your information to help us find the right parts manual for your machine.

* Brand:

* Model:

* Serial:

* Part Number:

SEARCH

**Can't Find Part or
Manual? Request Help
by Manufacturer,
Model & Description**

Parts Order Form

Please fill in the following information to help us find the right part for your machine.

Manufacturer:

Model:

Description:

Part Number:

Quantity:

Price:

Submit

Discount-Equipment.com is your online resource for quality parts & equipment.

Florida: **561-964-4949** Outside Florida TOLL FREE: **877-690-3101**

Need parts?

Click on this link: <http://www.discount-equipment.com/category/5443-parts/> and choose one of the options to help get the right parts and equipment you are looking for. Please have the machine model and serial number available in order to help us get you the correct parts. If you don't find the part on the website or on one of the online manuals, please fill out the request form and one of our experienced staff members will get back to you with a quote for the right part that your machine needs.

We sell worldwide for the brands: Genie, Terex, JLG, MultiQuip, Mikasa, Essick, Whiteman, Mayco, Toro Stone, Diamond Products, Generac Magnum, Airman, Haulotte, Barreto, Power Blanket, Nifty Lift, Atlas Copco, Chicago Pneumatic, Allmand, Miller Curber, Skyjack, Lull, Skytrak, Tsurumi, Husquvarna Target, Stow, Wacker, Sakai, Mi-T-M, Sullair, Basic, Dynapac, MBW, Weber, Bartell, Bennar Newman, Haulotte, Ditch Runner, Menegotti, Morrison, Contec, Buddy, Crown, Edco, Wyco, Bomag, Laymor, EZ Trench, Bil-Jax, F.S. Curtis, Gehl Pavers, Heli, Honda, ICS/PowerGrit, IHI, Partner, Imer, Clipper, MMD, Koshin, Rice, CH&E, General Equipment, Amida, Coleman, NAC, Gradall, Square Shooter, Kent, Stanley, Tamco, Toku, Hatz, Kohler, Robin, Wisconsin, Northrock, Oztec, Toker TK, Rol-Air, APT, Wylie, Ingersoll Rand / Doosan, Innovatech, Con X, Ammann, Mecalac, Makinex, Smith Surface Prep, Small Line, Wanco, Yanmar