



Husqvarna®



# Operator's manual Manuel d'utilisation Gebruiksaanwijzing Bedienungsanweisung **PP518**



**GB FR NL DE**

Please read the operator's manual carefully and make sure you understand the instructions before using the machine.

Lire attentivement et bien assimiler le manuel d'utilisation avant d'utiliser la machine.

Neem de gebruiksaanwijzing grondig door en gebruik de machine niet voor u alles duidelijk heeft begrepen.

Lesen Sie die Bedienungsanweisung sorgfältig durch und machen Sie sich mit dem Inhalt vertraut, bevor Sie das Gerät benutzen.



**TO PURCHASE THIS PRODUCT PLEASE CONTACT US**



**Equipment Financing and  
Extended Warranties Available**



**Discount-Equipment.com is your online resource for  
commercial and industrial quality parts and equipment sales.**

**561-964-4949**

**visit us on line @ [www.discount-equipment.com](http://www.discount-equipment.com)**

Select an option below to find your Equipment

**Search by Manufacturer**

**Search by Product Type**

**Request a Quote**

We sell worldwide for the brands: Genie, Terex, JLG, MultiQuip, Mikasa, Essick, Whiteman, Mayco, Toro Stone, Diamond Products, Generac Magnum, Airman, Haulotte, Barreto, Power Blanket, Nifty Lift, Atlas Copco, Chicago Pneumatic, Allmand, Miller Curber, Skyjack, Lull, Skytrak, Tsurumi, Husquvarna Target, Stow, Wacker, Sakai, Mi-T-M, Sullair, Basic, Dynapac, MBW, Weber, Bartell, Bennar Newman, Haulotte, Ditch Runner, Menegotti, Morrison, Contec, Buddy, Crown, Edco, Wyco, Bomag, Laymor, EZ Trench, Bil-Jax, F.S. Curtis, Gehl Pavers, Heli, Honda, ICS/PowerGrit, IHI, Partner, Imer, Clipper, MMD, Koshin, Rice, CH&E, General Equipment, Amida, Coleman, NAC, Gradall, Square Shooter, Kent, Stanley, Tamco, Toku, Hatz, Kohler, Robin, Wisconsin, Northrock, Oztec, Toker TK, Rol-Air, APT, Wylie, Ingersoll Rand / Doosan, Innovatech, Con X, Ammann, Mecalac, Makinex, Smith Surface Prep, Small Line, Wanco, Yanmar



# KEY TO SYMBOLS

## Symbols on the machine

**WARNING!** The machine can be a dangerous tool if used incorrectly or carelessly, which can cause serious or fatal injury to the operator or others.

Please read the operator's manual carefully and make sure you understand the instructions before using the machine.

Always wear:

- Approved hearing protection

This product is in accordance with applicable EC directives.

Noise emission to the environment according to the European Community's Directive. The machine's emission is specified in the Technical data chapter and on the label.

The muffler is hot. Can result in burns and/or ignite materials. Keep all parts of your body away from hot surfaces.

Hydraulic oil tank

Ignition lock

Stop position, Operating position, Start position

Choke.

Fuel tank



**WARNING!**

Fuel and fuel vapour are highly flammable. Take care when handling fuel and oil. Bear in mind the risk of fire, explosion and inhaling fumes. Do not fill with fuel in the vicinity of sparks or naked flames.

**Other symbols/decals on the machine refer to special certification requirements for certain markets.**

## Explanation of warning levels

The warnings are graded in three levels.

### WARNING!



**WARNING!** Used if there is a risk of serious injury or death for the operator or damage to the surroundings if the instructions in the manual are not followed.

### CAUTION!



**CAUTION!** Used if there is a risk of injury to the operator or damage to the surroundings if the instructions in the manual are not followed.

### NOTICE!



**NOTICE!** Used if there is a risk of damage to materials or the machine if the instructions in the manual are not followed.

---

# CONTENTS

---

## Contents

### KEY TO SYMBOLS

Symbols on the machine .....	2
Explanation of warning levels .....	2

### CONTENTS

Contents .....	3
----------------	---

### PRESENTATION

Dear Customer, .....	4
Design and features .....	4

### WHAT IS WHAT?

What is what on the hydraulic unit? .....	5
---	---

### ASSEMBLING AND ADJUSTMENTS

General .....	6
Filling engine oil .....	6
Filling hydraulic oil .....	6
Connecting the hydraulic hoses .....	6
Checking the tyre pressure .....	6
Connecting the battery .....	7

### FUEL/OIL HANDLING

General .....	8
Fuel .....	8
Engine oil .....	8
Hydraulic oil .....	8

### OPERATING

Protective equipment .....	9
General safety precautions .....	9
Work safety .....	10
Control functions .....	11
The automatic throttle .....	11
Hydraulic hoses and couplings .....	12

### STARTING AND STOPPING

Before starting .....	13
Starting for the first time .....	13
Check before starting .....	13
Starting .....	13
Stopping .....	14

### MAINTENANCE

General .....	15
Daily maintenance .....	15
Engine .....	15
Hydraulic System .....	16
Battery .....	17
Service .....	17

### TECHNICAL DATA

PP518 .....	18
EC Declaration of Conformity .....	19

# PRESENTATION

## Dear Customer,

Thank you for choosing a Husqvarna product!

It is our wish that you will be satisfied with your product and that it will be your companion for a long time. A purchase of one of our products gives you access to professional help with repairs and services. If the retailer who sells your machine is not one of our authorised dealers, ask him for the address of your nearest service workshop.

This operator's manual is a valuable document. Make sure it is always at hand at the work place. By following its content (using, service, maintenance etc.) the life span and the second-hand value of the machine can be extended. If you will sell this machine, make sure that the buyer will get the operator's manual.

## More than 300 years of innovation

Husqvarna AB is a Swedish company based on a tradition that dates back to 1689, when the Swedish King Charles XI ordered the construction of a factory for production of muskets. At that time, the foundation was already laid for the engineering skills behind the development of some of the world's leading products in areas such as hunting weapons, bicycles, motorcycles, domestic appliances, sewing machines and outdoor products.

Husqvarna is the global leader in outdoor power products for forestry, park maintenance and lawn and garden care, as well as cutting equipment and diamond tools for the construction and stone industries.

## Owner responsibility

It is the owner's/employer's responsibility that the operator has sufficient knowledge about how to use the machine safely. Supervisors and operators must have read and understood the Operator's Manual. They must be aware of:

- The machine's safety instructions.
- The machine's range of applications and limitations.
- How the machine is to be used and maintained.

National legislation could regulate the use of this machine. Find out what legislation is applicable in the place where you work before you start using the machine.

## The manufacturer's reservation

Subsequent to publishing this manual Husqvarna may issue additional information for safe operation of this product. It is the owner's obligation to keep up with the safest methods of operation.

Husqvarna AB has a policy of continuous product development and therefore reserves the right to modify the design and appearance of products without prior notice.

## Design and features

Values such as high performance, reliability, innovative technology, advanced technical solutions and environmental considerations distinguish Husqvarna's products. Safe operation of this product requires the operator to read this manual carefully. Ask your dealer or Husqvarna should you need more information.

Some of the unique features of your product are described below.

## Hydraulic unit

The PP518 hydraulic unit is fitted with a flow-adjustable hydraulic pump, which generates hydraulic power in a more efficient manner compared to more standard cogwheel pumps with fixed displacement that are available.

The PP518 hydraulic unit can be suitably used to operate hydraulic tools with the following specifications:

Hydraulic valve:	"Open centre"
Flow requirements	20, 30 or 40 l/min (5, 8 or 10 gal/min)
Max. pressure:	140 bar (2,000 psi) or more

Examples of Husqvarna hydraulic tools which can be used together with the PP518 without any modifications:



**CAUTION!** If a tool requires a flow of 20 l/min (5 gal/min), it is **NOT** permitted to operate it at a higher setting, for instance 30 or 40 l/min (8 or 10 gal/min). This may lead to serious damage to the tool or even personal injury.

**Always seek the advice of the tool manufacturer before connecting it to the power unit.**

- Power cutters K2500 K3600
- Drill motor DM 406 H
- Wall saw WS 325

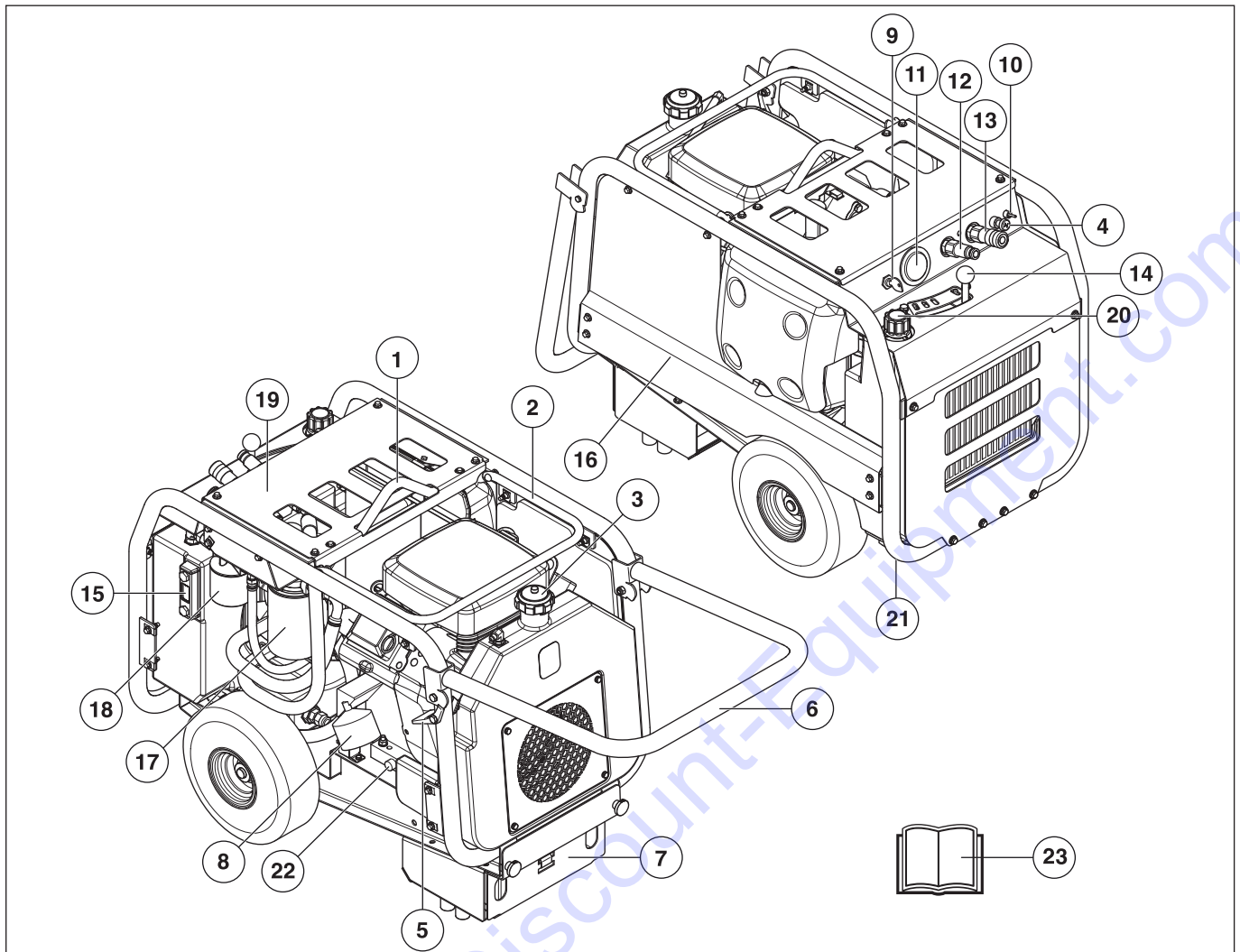
## Other popular tools are:

- Hydraulic chainsaw
- Hydraulic water pump

**NOTICE!** Not to be used with hydraulic hammers, hydraulic breakers or equipment with hydraulic cylinders.



# WHAT IS WHAT?



## What is what on the hydraulic unit?

- |                                |   |
|--------------------------------|---|
| 1 Lifting eye                  | 13 Return connection  |
| 2 Brackets for hydraulic hoses | 14 Flow regulation (oil)  |
| 3 Fuel cap                     | 15 Oil level gauge  |
| 4 Choke control                | 16 Electric fuse, 10A   |
| 5 Handle lock                  | 17 Large hydraulic oil filter                                   |
| 6 Transport handle             | 18 Small hydraulic oil filter                                   |
| 7 Battery                      | 19 Adjustable pressure sensor valve for full throttle or idling |
| 8 Engine oil filter            | 20 Hydraulic oil cover  |
| 9 Ignition lock                | 21 Oil plug for hydraulic oil                                   |
| 10 Throttle switch             | 22 Oil plug for engine oil                                      |
| 11 Counter                     | 23 Operator's manual  |
| 12 Pressure connection         |   |

# ASSEMBLING AND ADJUSTMENTS

## General

**CAUTION!** The PP518 hydraulic unit must be serviced before it is used.

In certain consumer markets, the hydraulic unit can be delivered filled with both engine and hydraulic oil.

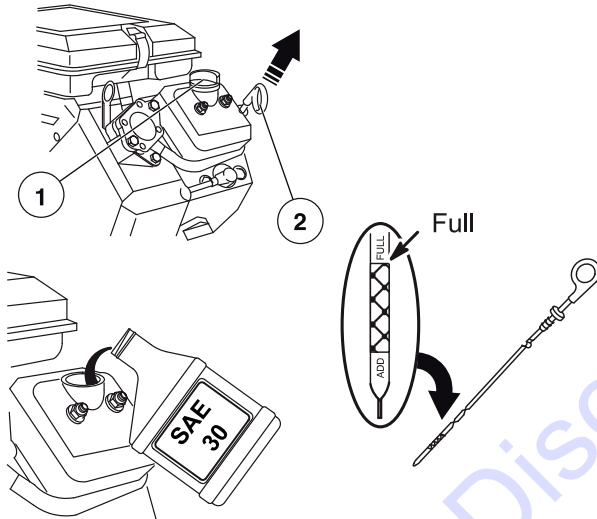
Remove the hydraulic unit from the transport packaging and place it on a level surface.



**IMPORTANT!** Only use the lifting eye when lifting the hydraulic unit.

## Filling engine oil

Check the engine's oil level



- 1 Engine oil fill
- 2 Dipstick

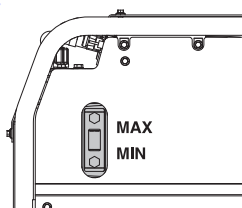
If there is no oil on the dipstick, the engine must be filled with oil according to the instructions under the Engine oil heading or see the instruction manual from Briggs & Stratton.

## Filling hydraulic oil

Fill the hydraulic oil tank

Use only premium quality hydraulic oil such as ISO 46. See the Hydraulic oil section for other alternatives. The total oil volume required to fill the container the first time is 10 litres (2.6 gal). The oil must be filled up to the centre of the gauge glass.

Check the oil level and adjust if required after the first test run.



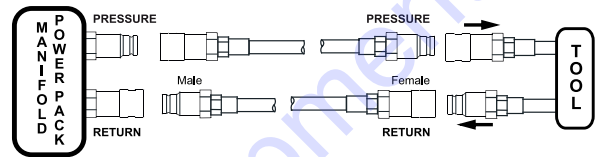
## Connecting the hydraulic hoses

Clean the hydraulic hose couplings with a cloth before connecting them.

Connect the hydraulic hoses to the hydraulic unit. Connect the two couplings to the free ends of the hoses. The hoses are now ready to be filled with oil from the oil container.

**CAUTION!** The hoses can be connected to the power unit with either hose end.

All sets of hoses with couplings which are fitted as outlined in this illustration always result in complete compatibility between the power unit, hoses and tools.



If the hydraulic hoses (7.5 m/25 ft) are empty, a further 1.8 litres (2 quart) of oil or so must be added to the oil tank, after the power unit has been operated for the first time. If an extra 30 metre (100 ft) long, 5/8 inch hose set is used, about 12 litres (3.2 gal) of oil must be added.

The oil level in the oil tank must be checked several times when a new set of hoses are being filled.

## Checking the tyre pressure

Check the tyre pressure. The tyres are tubeless.

If the tyre pressure is too low, the tyre will be completely deflated. Adjust the pressure to 2 bar (30 psi).

# ASSEMBLING AND ADJUSTMENTS

## Connecting the battery

The hydraulic unit is supplied with no battery cables connected.

The original battery is maintenance free. Do not attempt to open or remove caps or covers. It is usually not necessary to check or adjust the level of electrolyte.

Replace only with a similar maintenance-free battery. See information in the Technical data section.



**WARNING! Lead-acid batteries produce explosive gases. Avoid sparks, open flames and smoking close to batteries.**

**Connecting or disconnecting the battery may cause sparks and short circuits. Never connect the battery terminals to keys, coins, screws or other metal as this may short-circuit the battery.**

**Batteries emit explosive gas. Sparks, flames and cigarettes must absolutely not be brought into the vicinity of the battery.**

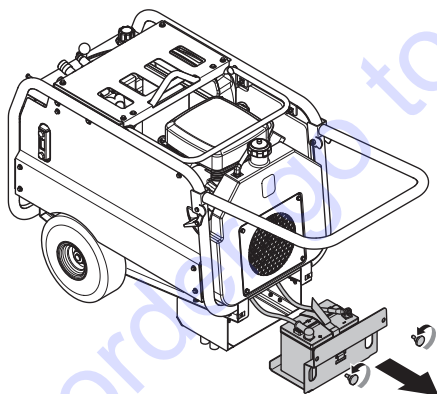
**Unused batteries must be kept away from metal objects such as nails, coins, jewellery.**

**Remove metal bracelets, watches, rings, etc., before connecting the battery. Wear gloves and protective goggles or a dust mask when working with the battery.**

Do as follows to connect the battery.

The battery is placed in the hydraulic unit's support foot.

- 1 Loosen the two knobs at the front of the support foot. Pull out the battery using the two holes on the front edge. This gives full access to the battery and cables.



- 2 Always connect the RED (+) cable to the positive (+) battery terminal first. Attach the cable to the terminal using the 5/16" screw and nut (13 mm or 1/2" wrench).
- 3 Connect the BLACK (-) grounding cable to the negative (-) battery terminal. Attach the cable to the terminal using the 5/16" screw and nut (13 mm or 1/2" wrench).



# FUEL/OIL HANDLING

## General



**WARNING!** Take the following steps to reduce the risk of personal injury and damage to property.

Take care when handling fuel. Bear in mind the risk of fire, explosion and inhaling fumes.

Do not fill with fuel in the vicinity of sparks or naked flames. Do not smoke.

Only store fuel in containers approved for the purpose.

Never remove the fuel cap or fill the fuel tank with fuel while the engine is running. Always stop the engine and let it cool for a few minutes before refuelling.

Never fill the fuel tank indoors.

Store and transport the machine and fuel so that there is no risk of any leakage or fumes coming into contact with sparks or open flames, for example, from electrical machinery, electric motors, electrical relays/ switches or boilers.

Never fill containers inside a vehicle. Always place the container on the ground away from your vehicle when filling.

Remove the machine from the vehicle and refuel it on the ground. If this is not possible, refuel the equipment with a portable container, rather than from a petrol dispenser nozzle.



**WARNING!** Let the nozzle touch the edge of the fuel tank or the container's opening until refuelling is completed. Do not use a nozzle that can be locked in an open position.

If you spill fuel or engine oil on yourself or your clothes. Change your clothes.

Avoid overfilling. If you have spilled fuel or engine oil on the machine. Wipe off the spill and allow the remaining fuel to evaporate. Tighten the fuel cap carefully after refuelling.

**CAUTION!** Handle oil, oil filters, fuel and the battery carefully, of environmental considerations. Follow the local recycling requirements.

## Fuel

The Briggs & Stratton engine is guaranteed to run on unleaded petrol with an octane rating of 86 or more as defined by the 'Pump Octane Number' (M+R) or 91 or more as defined by the 'Research Octane Number' (RON). Refuel in a well ventilated area with the engine turned off.

Unleaded standard petrol not containing more than 10% ethanol (E10) can be used. Do not use petrol that contains methanol.

If fuel with an ethanol content higher than 10% (E10) is used, there may be problems starting and/or operating the unit. It may also damage metal, rubber and plastic components in the fuel system, and can be a fire hazard.

Do not use fuel that is older than 30 days. Old fuel can cause running problems as well as fuel system damage.

**The engine will not operate with fuel that is sold as E85 (85% ethanol).**

## Engine oil

### Recommended oil

The engine holds approximately 1.4 l (1-1/2 qt/48 oz) of oil, when both the oil and oil filter are replaced.

- Use a high quality detergent oil classified "For Service SF, SG, SH, SJ" or higher.
- Briggs & Stratton strongly recommends that synthetic oils are used.
- Do not use any specific oil additives.
- Select viscosity according to the table below.

Using a synthetic oil does not alter the required oil change intervals. See the accompanying instruction manual from Briggs & Stratton for complete details on the oil.

SAE VISCOSITY GRADES	
	SAE 30
	5W-30
	SYNTHETIC OIL 5W-30, 10W-30
F	-20 0 30 32 40 60 80 100
C	-30 -20 -10 0 10 20 30 40
TEMPERATURE RANGE ANTICIPATED BEFORE NEXT OIL CHANGE	

## Hydraulic oil

All high quality hydraulic oils with a viscosity index of ISO 46 (46 cSt) can be used.

High quality hydraulic oils which are marketed as "biodegradable" can be used with a viscosity index similar to ISO 46.

**CAUTION!** Biodegradable hydraulic oils may require other service intervals compared to the traditional mineral-based oils.

Consult and comply with the supplier's recommendations with regard to the oil's service life.

The hydraulic system can also be used with some "food quality" oils, and can be used in certain applications. Contact Discount-equipment.

# OPERATING

## Protective equipment

### General

Do not use the machine unless you are able to call for help in the event of an accident.

### Personal protective equipment

You must use approved personal protective equipment whenever you use the machine. Personal protective equipment cannot eliminate the risk of injury but it will reduce the degree of injury if an accident does happen. Ask your dealer for help in choosing the right equipment.



**WARNING! The use of products such as cutters, grinders, drills, that sand or form material can generate dust and vapours which may contain hazardous chemicals. Check the nature of the material you intend to process and use an appropriate breathing mask.**



**WARNING! Long-term exposure to noise can result in permanent hearing impairment. So always use approved hearing protection. Listen out for warning signals or shouts when you are wearing hearing protection. Always remove your hearing protection as soon as the engine stops.**



**WARNING! There is always a risk of crush injuries when working with products containing moving parts. Wear protective gloves to avoid body injuries.**

Always wear:

- Protective helmet
- Hearing protection
- Protective goggles or a visor
- Breathing mask
- Heavy-duty, firm grip gloves.
- Tight-fitting, heavy-duty and comfortable clothing that permits full freedom of movement.
- Boots with steel toe-caps and non-slip sole.

Be careful as clothing, long hair, and jewellery can get caught in moving parts.

### Other protective equipment



**WARNING! Sparks may appear and start a fire when you work with the machine. Always keep fire fighting equipment handy.**

- Fire fighting equipment
- Always have a first aid kit nearby.

## General safety precautions



**WARNING! Read all safety warnings and all instructions. Failure to follow the warnings and instructions may result in electric shock, fire and/or serious injury.**

This section describes basic safety directions for using the machine. This information is never a substitute for professional skills and experience.

- Please read the operator's manual carefully and make sure you understand the instructions before using the machine.
- Keep in mind that the operator is responsible for accidents or hazards occurring to other people or their property.
- All operators shall be trained in the use of the machine. The owner is responsible for ensuring that the operators receive training.
- The machine must be kept clean. Signs and stickers must be fully legible.



**WARNING! The machine can be a dangerous tool if used incorrectly or carelessly, which can cause serious or fatal injury to the operator or others.**

Never allow children or other persons not trained in the use of the machine to use or service it. Never allow anyone else to use the machine without first ensuring that they have read and understood the contents of the operator's manual.

Never use the machine if you are fatigued, while under the influence of alcohol or drugs, medication or anything that could affect your vision, alertness, coordination or judgement.



**WARNING! Unauthorized modifications and/or accessories may lead to serious injury or death to the user or others.**

Do not modify this product or use it if it appears to have been modified by others.

Never use a machine that is faulty. Carry out the safety checks, maintenance and service instructions described in this manual. Some maintenance and service measures must be carried out by trained and qualified specialists. See instructions under the Maintenance heading.

Always use genuine accessories.

### Always use common sense

It is not possible to cover every conceivable situation you can face. Always exercise care and use your common sense. If you get into a situation where you feel unsafe, stop and seek expert advice. Contact Discount-equipment. Do not attempt any task that you feel unsure of!

# OPERATING

## Work safety

### Work area safety

- **Keep work area clean and well lit.** Cluttered or dark areas invite accidents.
- Always check and mark out where gas pipes are routed. Cutting close to gas pipes always entails danger. Make sure that sparks are not caused when cutting in view of the risk of explosion. Remain concentrated and focused on the task. Carelessness can result in serious personal injury or death.
- Do not use the machine in environments where there is a risk of explosion.
- Make sure that no pipes or electrical wires are routed in the work piece or in the working area.
- Make sure that electrical cables within the working area are not live.
- Observe your surroundings to ensure that nothing can affect your control of the machine.
- Do not use the machine in bad weather, such as dense fog, heavy rain, strong wind, intense cold, etc. Working in bad weather is tiring and can lead to dangerous conditions, e.g. slippery surfaces.
- Do not use the machine in wet or humid surroundings, close to water, in the rain or snow.
- Never start to work with the machine before the working area is clear and you have a firm foothold.



**WARNING! Do not wash the machine with water, as water can enter the electrical system or the engine and cause damage to the machine or short circuit.**

### Personal safety

- Never use the machine if you are fatigued, while under the influence of alcohol or drugs, medication or anything that could affect your vision, alertness, coordination or judgement.
- Prevent unintentional starting. Make sure the ignition switch is in the Stop position and the flow control is in position 0.
- Never leave the machine unsupervised with the motor running.
- Never work alone, always ensure there is another person close at hand. Apart from being able to receive help to assemble the machine, you can also get help if an accident should occur.
- People and animals can distract you causing you to lose control of the machine. For this reason, always remain concentrated and focused on the task.

## Use and care

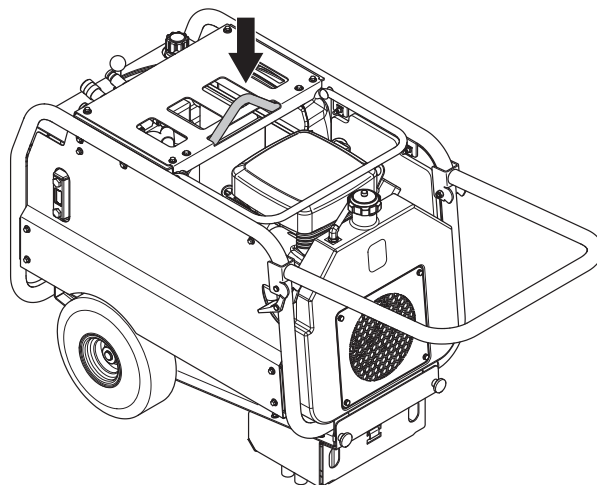
- The machine is intended for use in industrial applications by experienced operators.
- Switch off the engine before carrying out any checks or maintenance.
- Do not overload the machine. Overloading can damage the machine.
- Always switch off the machine before you move it.
- Observe care when lifting. You are handling heavy parts, which imply the risk of pinch injuries or other injuries.
- Do not expose the machine to temperatures exceeding 45°C or to direct sunlight.
- Check that all couplings, connections and cables are intact and free from dirt.
- Keep all parts in good working order and ensure that all fixtures are properly tightened.

## Transport

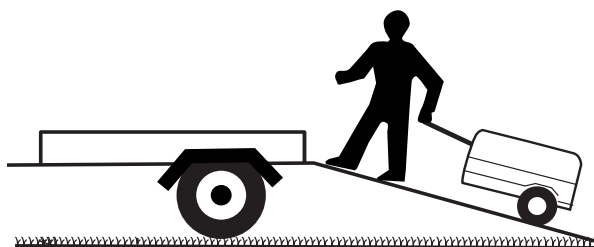
The safest way to move the hydraulic unit from a trailer to a working area is to lift it using the lifting eye. Never attach lifting devices to any other part of the machine. The other components are not designed to withstand the full weight of the hydraulic unit.



**IMPORTANT! Only use the lifting eye when lifting the hydraulic unit.**



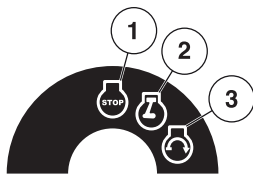
Make sure no one is standing under the hydraulic unit if it has to be moved by hand up into or off a trailer or up and down a slope.





## Control functions

### Ignition lock



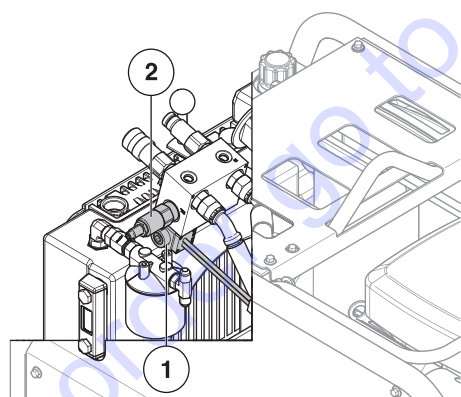
- 1 Stop position, no power to any of the electrical devices.
- 2 Operating position for the hydraulic unit. Note that the timer records the time regardless of whether the engine is running or not. If the key is left in the operating position, the battery also discharges faster.
- 3 Start position, the engine is started.

### Flow regulation (oil)

- Adjust the oil flow by pressing down the flow switch and pushing it to the left for the required oil flow. Regarding flow requirements, see the instruction manual for the tool in question. Never use an oil flow setting higher than the recommended value.
- Once the work is complete, the flow switch must always be reset to position 0 before turning off the engine.
- The engine must always be started with the flow switch in position 0. This ensures that the electric starter motor can crank the engine.

This hydraulic unit can produce an oil flow of 40 litres (10 gallons) a minute. The factory setting for the pressure relief valve is an "opening" pressure of 148 bar (2,150 psi).

### The automatic throttle



- 1 Excess flow valve (do not adjust)
- 2 Adjustable pressure sensor valve for full throttle or idling

The automatic throttle function is triggered by means of an adjustable pressure sensor for idling and full throttle in the hydraulic block.

Setting the adjustable pressure sensor for idling and full throttle for the automatic throttle has no effect on the excess flow valve setting (= maximum system pressure). It detects only the system pressure, and signals the engine to run on idle or at full throttle. The excess flow valve must not be adjusted.

When the tool is engaged, the oil pressure increases quickly to over 50 bar (700 psi). This normally makes the automatic throttle increase the throttle to "full". It is recommended that the engine reaches full speed when the tool is engaged.

In some applications, the hydraulic system throttle can be set too low. This allows the engine to continue to idle even after the tool is connected and full power is required.

The circulation of oil through the hoses creates low pressure, a so-called counter pressure at the adjustable pressure sensor valve.

The counter pressure in the system can vary for several reasons, e.g.:

- Cold hydraulic oil
- The length of the hoses, a longer hose generates a higher counter pressure.
- The valve in hydraulic tool can restrict flow substantially.

When the flow switch is set to 40 litres (10 gallons), this volume of oil circulates through the hoses, through the tool and back to the tank.

### Adjustment

In the PP518, the pressure at which the throttle valve reacts, is adjusted to achieve the required function of a specific tool and condition.

- 1 Connect the hoses and the tool to be used.
- 2 Set the switch for the automatic throttle to position 1.
- 3 Set the flow switch to a suitable setting for the tool.

**CAUTION!** If the oil is cold, the counter pressure in the system triggers full throttle.

- 4 Allow the hydraulic oil to heat up for 1 to 2 minutes. It is now ok to begin working. The hydraulic oil reaches a stable operating temperature in about 5 to 10 minutes.
- 5 If the machine has been running for 10 minutes and the automatic throttle function is not working correctly, the pressure's threshold value between idling and full throttle can be adjusted.
- 6 Adjust the pressure in the throttle's pressure sensor with an 8 mm or 5/16" hex wrench.

If the hydraulic unit's engine is still at full throttle without engaging the tool and hydraulic oil is hot. Turn the adjustment screw clockwise 1/8<sup>th</sup> of a turn at a time until the correct operation is obtained.

If the hydraulic unit's engine still idles when the tool is engaged and work well, but the oil is cold. Turn the adjustment screws counter clockwise 1/8<sup>th</sup> of a turn at a time until the correct operation is obtained.

# OPERATING

## Hydraulic hoses and couplings

The PP518 is fitted with a 7.5 m (25 ft) long hose with an inner diameter of 12.7 mm (1/2 in). ONE additional half-inch hose 10 m (33 ft) long can be fitted (18-20 m/60-65 ft in total). If you need a longer hose for your application, we recommend:

Maximum hose extension - up to a total length of 40 m (130 ft).

- Use the 7.5 m (25 ft) long hose that is supplied with the power unit.
- Connect two 16-metre (53 ft) extension hoses with a diameter of at least 16 mm (5/8 in).

A 32 metre (100 ft.) hose length can also be used, but it is cumbersome to handle.

We strongly recommend using HTMA "Flat Face" compatible hydraulic couplings.



**IMPORTANT! The hydraulic hoses and couplers must have a rated pressure capacity of 140 bar (2,000 psi) with a safety factor of 4 to 1.**

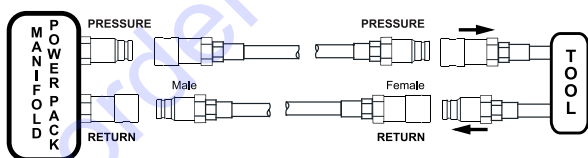
**CAUTION!** The flow direction through the system is always from the male to the female coupling. This means that all extension hoses must be assembled in the same way. If there is a male coupling at one end of a hose, there must always be a female coupling at the reverse end. Never use two of the same type of coupling on a single hose.



**IMPORTANT! The hydraulic oil and, consequently, the hoses and hydraulic couplings can become scalding during normal operation.**

A hydraulic coupling at a temperature of 50 °C (120 °F) is experienced as HOT when touched. It is normal for the oil temperature in the hydraulic unit to reach 70 °C (158 °F) if it is used on a very hot day with ambient temperatures of over 40 °C (104 °F).

As a reference, it can be noted that a car engine normally operates at 90 °C (195 °F).



# STARTING AND STOPPING

## Before starting



**WARNING!** Please read the operator's manual carefully and make sure you understand the instructions before using the machine.

**Wear personal protective equipment. See instructions under the "Personal protective equipment" heading.**

**Make sure no unauthorised persons are in the working area, otherwise there is a risk of serious personal injury.**

**Check that the machine is assembled correctly and do not show any signs of damage.**

See the instructions under the "Assembly and Settings" heading.

- Perform daily maintenance. See instructions under the heading Maintenance.



**WARNING!** The engine emits carbon monoxide, which is a colourless, poisonous gas. Do not use the machine in enclosed spaces.

## Starting for the first time

If the power unit is delivered without hydraulic oil in the tank and hoses, the oil levels must be carefully inspected, before using the unit for the first time.

A new set of empty hydraulic hoses requires approximately 1.8 l (2 qt) of oil.

When the power unit has been started for the first time and the flow switch has been adjusted to the required setting, the hydraulic hoses will fill with oil. Before the machine is used, the level in the hydraulic oil tank must be checked.

If necessary, stop the engine and fill with hydraulic oil.

## Check before starting

Before starting the hydraulic unit, check that:

- The battery is charged and fitted correctly.
- The tyres are correctly inflated.
- The engine oil level is correct.
- The fuel tank is filled with fresh and clean, unleaded regular petrol.
- The hydraulic oil tank is filled to the correct level.
- You are familiar with the location of the controls and their function. Test them before you start the engine.
- You have connected the hydraulic hoses to the hydraulic unit and connected the other ends to a hydraulic tool or to each other.
- Always set the flow switch to position 0 before starting.



**IMPORTANT!** Check the various parts and components in the hydraulic unit for damage before each use. Pay special attention to petrol or oil leaks.

## Starting

Always start the engine with flow switch set in the 0 position and the throttle in position 1.

The throttle lever switch allows you to select one of two modes of operation for the throttle.

The switch for the automatic throttle can be set to either 1 or 0.

- The automatic throttle switch in position 0.

When operating with the lever in position 0, the engine runs at full speed, from 2,600 to 2,700 rpm (loaded) and approx. 2,800 rpm (unloaded).

- The automatic throttle switch in position 1.

After starting, the engine's idling speed is about 1,900 rpm.

When the tool is engaged, a pressure switch on the power unit increases the engine speed to full speed.

When the tool is disengaged, the engine speed is reduced to 1,900 rpm.

The sensitivity of the control system for the automatic throttle can be adjusted to compensate for different conditions, such as increased counter pressure when the hose extensions are connected, operation at lower temperatures, differences in oil viscosity, etc.

See instructions under the Adjustment heading.

- 1 **With a cold engine:** Pull the choke control fully out.
- 2 Turn the ignition key to the start position.
- 3 When the engine starts, immediately release the ignition key so that it returns to the operating position. Push in the choke if you used it to start.
- 4 Allow the engine to warm up for 1 to 2 minutes. Set the flow switch to the required setting. This allows the hydraulic oil to flow from the pump through the hoses to the tool.

In cold weather, we recommend that the hydraulic unit is allowed to pump oil through the hoses and the tool, until the oil has reached a temperature of at least 10 °C (50 °F) before using the tool. This ensures that the automatic throttle switch functions correctly.

See instructions under the Adjustment heading.

---

# STARTING AND STOPPING

---

## Starting the engine with a weak battery

If the battery is too weak to start the engine, it should be recharged or replaced.

When jump leads are used for emergency starting, follow the procedure below:



**IMPORTANT! Your hydraulic unit is equipped with a 12-volt system with negative earth. The other vehicle must have a 12-volt system with negative earth. Do not use your unit battery to start other vehicles.**

## Connecting the jump leads

- 1 Connect each end of the red cable to the POSITIVE pole (+) on each battery, exercise care not to short circuit any of the ends against the chassis.
- 2 Connect one end of the black cable to the NEGATIVE pole (-) on the fully charged battery.
- 3 Connect the other end of the black cable to a good CHASSIS EARTH, away from the fuel tank and the battery.

## Remove the cables in the reverse order

- 1 The BLACK cable is removed from the chassis and then the fully charged battery.
- 2 Finally the RED cable from both batteries.

## Stopping

Turn the ignition key to Stop position to stop the hydraulic unit.

# MAINTENANCE

## General

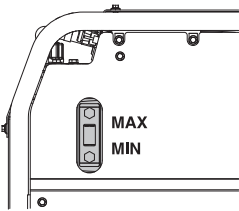


**WARNING! The user must only carry out the maintenance and service work described in this Operator's Manual. More extensive work must be carried out by an authorized service workshop.**

The life span of the machine can be reduced and the risk of accidents can increase if machine maintenance is not carried out correctly and if service and/or repairs are not carried out professionally. If you need further information please contact Discount-equipment.

## Daily maintenance

- Check that the machine's safety equipment is undamaged. See instructions in the section "Machine's safety equipment".
- Always clean all the equipment at the end of the working day. Use a heavy-duty hand-held brush or a large paint brush.
- Make sure to keep the connectors and pins clean. Clean with a rag or brush.
- Check that hydraulic oil level in the gauge glass is above the lower specified limit. Add oil if necessary.



- Check that the hydraulic hoses are not leaking or bent and that the couplings are not leaking.
- Check for any accumulated debris or dirt in the oil cooler. Clean using compressed air or with a garden hose. Do not use a high pressure washer directly on the cooler.

**NOTICE! Do not use a high pressure washer to clean the machine. The high pressure jet can damage seals and lead to water and dirt permeating into the machine, resulting in serious damage.**

## Engine

The oil level must always be checked before starting the engine. Always maintain the oil level at the full mark. Do not fill with too much oil. Check the level daily or after 8 hours of operation.

**CAUTION! The engine holds approximately 1.4 l (1-1/2 qt/ 48 oz) of oil, when both the oil and oil filter are replaced.**

The hydraulic unit must always be placed on a flat surface, when checking and replacing the oil.

Change the oil after the first 5 to 8 hours of operation. It should then be changed after every 50 hours of running time.

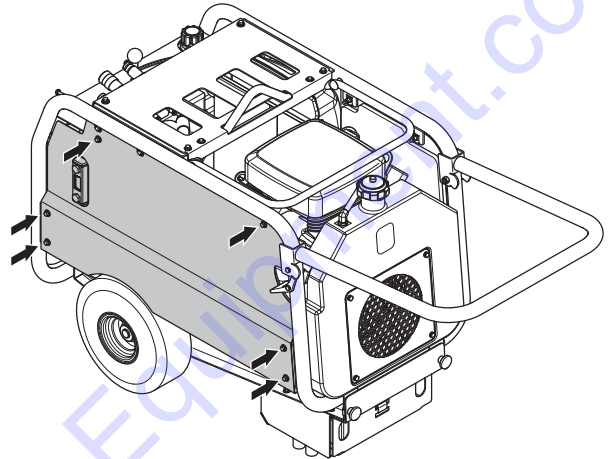
The oil filter must be replaced after every 100 hours running time.

See the instructions under the Engine oil and Oil recommendation headings and in the instruction manual from Briggs & Stratton.

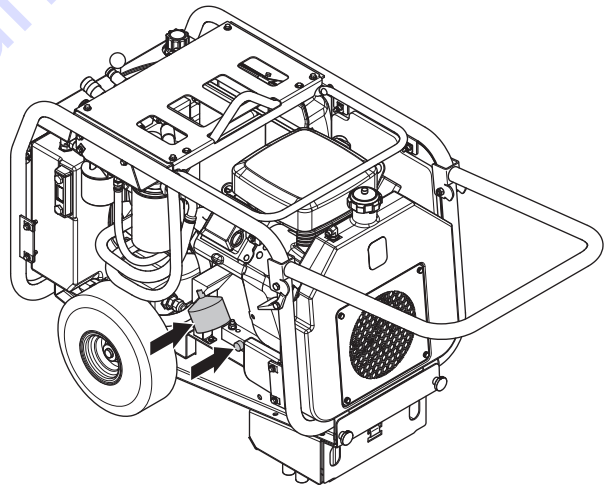
We strongly recommend using only original spare parts from Briggs & Stratton.

## Replacing the engine oil

- 1 With the engine switched off but it is still hot.
- 2 Loosen the 6 screws as outlined below.



- 3 Remove the side panel to access the oil plug and the oil filter.



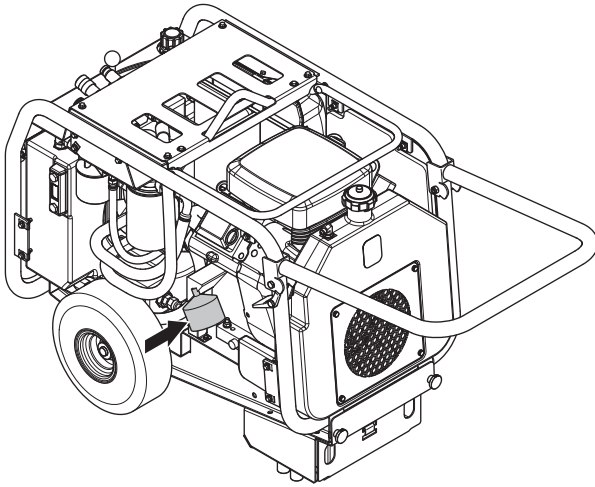
- 4 Drain off the oil into a suitable container. For further information, see the instruction manual from Briggs & Stratton.
- 5 Fill first with 1 litre (1 quart) of any of the recommended oils.
- 6 Start and run the engine at idling speed for approx. 30 seconds.
- 7 Turn off the motor. Check the oil level again, and add more oil if needed. Normally 0.3 to 0.5 litres (12-15 oz).



# MAINTENANCE

## Changing the oil filter

To access the engine oil filter, follow the instructions under the Changing the engine oil heading in section 1-4.



- 1 Remove the engine oil filter.
- 2 Before the new filter is fitted, its gasket must be coated with fresh, clean oil.
- 3 Screw on the filter by hand until the gasket touches the oil filter adapter.
- 4 Tighten a further 1/2 to 3/4 turns.

## Engine oil pressure

- If the engine oil pressure drops below 0.1 to 0.2 kg/cm (1-4 psi), an oil pressure switch shuts down the engine.
- If the engine oil level is below the mark on the dipstick, fill with engine oil until the level reaches the "Full" mark. Try starting the engine.
- If the problem persists, contact Discount-equipment.

## Air filter

If the engine seems to lack power or does not run smoothly this may be because the air filter is clogged. Inspect and service the air filter at every oil change, after every 50 hours of operation.

## Muffler

If the muffler is corroded or is damaged in any other way, it must be replaced because it may become a fire hazard and/or cause injury.

## Fuel filter

The fuel filter must be replaced if it becomes clogged and the flow of fuel to the carburettor is blocked.

We recommend that the fuel filter is replaced every 250 hours of operation or once a season.

## Additional engine information

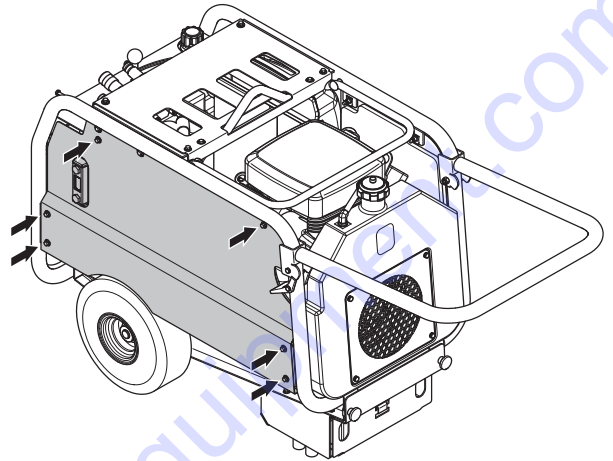
See the accompanying instruction manual from Briggs & Stratton for more information on how to service the engine. The manual also contains specific details on specifications, service parts, engine guarantee, emissions compliance, etc.

## Hydraulic System

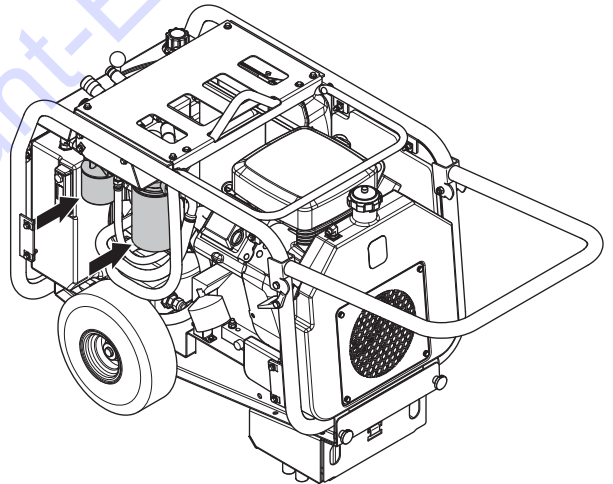
### Replacing the hydraulic oil and the hydraulic oil filter

Accessing the hydraulic oil filter.

- 1 Loosen the 6 screws as outlined below.



- 2 Lift off the side panel.



- 3 Attach the hoses to the hydraulic unit and connect the ends of the hoses together.
- 4 Start the hydraulic unit's engine and set the flow switch in the 40 l (10 gal) position.
- 5 Allow the engine to warm up for 5 minutes with this flow setting.
- 6 Turn off the engine and drain the hydraulic oil into a suitable container. The quick couplings on the hoses should preferably be removed and the oil drained from the hoses too.
- 7 Replace the hydraulic oil filter.
- 8 Fill the tank with hydraulic oil.

---

# MAINTENANCE

---

## Battery

### Disconnect the battery.

- 1 Always disconnect the BLACK (-) earth cable from the battery (13 mm or 1/2-inch wrench) first.
- 2 Then disconnect the RED (+) cable.

### Charging the battery.

The only safe way to charge a battery is to completely remove it from the hydraulic unit. A standard charger with a charging power of 12 V and 2 to 10 A can be used. Follow all the instructions relating to the charger before it is connected to the battery.

To connect the battery again after charging, see the instructions under Connecting the battery heading.

## Service



**WARNING!** All types of repairs may only be carried out by authorised repairmen. This is so that the operators are not exposed to great risks.

To order go to [Discount-Equipment.com](http://Discount-Equipment.com)

# TECHNICAL DATA

## PP518

### Dimensions

Dry weight without hoses, kg/lb	127/280
Weight, with oil but without petrol, kg/lb	135/298
Weight, 1/2" x 7.5 m (25 ft) hose, dry, kg/lb	8,5/19
Weight, 1/2" x 7.5 m (25 ft) hose with oil, kg/lb	10/22
Length with handle folded, mm/inch	860/34
Length with handle extended, mm/inch	1300/51
Width, mm/inch	550/22
Height	740/29
Height with hose/tool holder extended	920/36

### Engine

	Briggs & Stratton, V-twin Vanguard 18 hp
Nominal engine output, kW (see note 1)	10,4/14
Volume, engine oil, l/fl oz	1,4/48
Volume, fuel tank, litres/gal	7,9/2,1

### Hydraulic system

Hydraulic system, tools	Valve with open centre
Hydraulic system, power unit	Closed loop
Pump type	Piston pump with variable displacement
Outflow, litres/min/gpm	20, 30, 40/5, 8, 10
Setting for the excess flow valve, bar/psi	148/2150
Nominal hydraulic pressure, bar/psi	110/1595
Main filter (large), micron	25
Pump filter (small), micron	25
Volume of oil tank, litres/gal	10/2.6
Oil type	ISO 46
Oil cooling	Air-cooled, compressed air Complies with HTMA cooling requirements

### Noise emissions (see note 2)

Sound power level, measured dB (A)	100
Sound power level, guaranteed $L_{WA}$ dB (A)	101

### Sound levels (see note 3)

Equivalent sound pressure level at the operator's ear, dB(A)	92
--	----

### Electrical system

Types of battery	U1 size, 12 volt, cold start value 230
Fuse	10 A, similar to car fuse, placed by the starter motor

Note 1: The power rating of the engine indicated is the average net output (at specified rpm) of a typical production engine for the engine model measured to SAE standard J1349/ISO1585. Mass production engines may differ from this value. Actual power output for the engine installed on the final machine will depend on the operating speed, environmental conditions and other values.

Note 2: Noise emissions in the environment measured as sound power ( $L_{WA}$ ) in conformity with EC directive 2000/14/EC. The difference between guaranteed and measured sound power is that the guaranteed sound power also includes dispersion in the measurement result and the variations between different machines of the same model according to Directive 2000/14/EC.

Note 3: Equivalent noise pressure level, according to EN ISO 11203:2009, R=1m, is calculated as the time-weighted energy total for different noise pressure levels under various operating conditions. Reported data for equivalent noise pressure level for the machine has a typical statistical dispersion (standard deviation) of 1 dB (A).

# EXPLICATION DES SYMBOLES

## Symboles sur la machine

AVERTISSEMENT! La machine utilisée de manière imprudente ou inadéquate peut devenir un outil dangereux, pouvant causer des blessures graves voire mortelles à l'utilisateur et aux autres personnes présentes.



Lire attentivement et bien assimiler le manuel d'utilisation avant d'utiliser la machine.



Toujours utiliser:

- Protecteurs d'oreilles homologués



Ce produit est conforme aux directives CE en vigueur.



Émissions sonores dans l'environnement selon la directive de la Communauté européenne. Les émissions de la machine sont indiquées au chapitre Caractéristiques techniques et sur les autocollants.



Le silencieux est chaud. Peut causer des brûlures et/ou enflammer des matériaux. Maintenez toute partie du corps loin des surfaces chaudes.



Réservoir à essence hydraulique



Verrouillage de l'allumage

Position d'arrêt, position de fonctionnement, position de démarrage



Starter.



Réservoir d'essence



AVERTISSEMENT!

Le carburant et les vapeurs de carburant sont extrêmement inflammables. Observez la plus grande prudence en manipulant le carburant et l'huile. Pensez aux risques d'incendie, d'explosion et d'inhalation. Ne procédez pas au remplissage en carburant à proximité d'étincelles ou de flammes nues.

Les autres symboles/autocollants présents sur la machine concernent des exigences de certification spécifiques à certains marchés.

## Explication des niveaux d'avertissement

Il existe trois niveaux d'avertissement.

### AVERTISSEMENT!



**AVERTISSEMENT!** Symbole utilisé en cas de risque de blessures très graves ou de mort pour l'utilisateur ou de dommages pour les environs si les instructions du manuel ne sont pas suivies.

### REMARQUE !



**REMARQUE !** Symbole utilisé en cas de risque de blessures pour l'utilisateur ou de dommages pour les environs si les instructions du manuel ne sont pas suivies.

### ATTENTION !

**ATTENTION !** Symbole utilisé en cas de risque de dommages pour les matériaux ou la machine si les instructions du manuel ne sont pas suivies.

---

# SOMMAIRE

---

## Sommaire

### EXPLICATION DES SYMBOLES

Symboles sur la machine .....	20
Explication des niveaux d'avertissement .....	20

### SOMMAIRE

Sommaire .....	21
----------------	----

### PRÉSENTATION

Cher client, .....	22
Conception et propriétés .....	22

### QUELS SONT LES COMPOSANTS?

Les composantes d'un groupe hydraulique .....	23
---	----

### MONTAGE ET RÉGLAGES

Généralités .....	24
Approvisionnement en huile moteur .....	24
Approvisionnement en huile hydraulique .....	24
Raccordement des tuyaux hydrauliques .....	24
Vérification de la pression des pneus .....	24
Branchement de la batterie .....	25

### MANIPULATION DU CARBURANT/DE L'HUILE

Généralités .....	26
Carburant .....	26
Huile moteur .....	26
Huile hydraulique .....	26

### COMMANDE

Équipement de protection .....	27
Instructions générales de sécurité .....	27
Sécurité du travail .....	28
Fonctions de commande .....	29
Accélération automatique .....	29
Tuyaux et raccords hydrauliques .....	30

### DÉMARRAGE ET ARRÊT

Avant le démarrage .....	31
Premier démarrage .....	31
Contrôles avant la mise en marche .....	31
Démarrage .....	31
Arrêt .....	32

### ENTRETIEN

Généralités .....	33
Entretien quotidien .....	33
Moteur .....	33
Système hydraulique .....	34
Batterie .....	35
Service .....	35

### CARACTÉRISTIQUES TECHNIQUES

PP518 .....	36
Déclaration CE de conformité .....	37



# PRÉSENTATION

## Cher client,

Nous vous remercions d'avoir choisi un produit Husqvarna !

Nous espérons que cette machine vous donnera toute satisfaction et qu'elle vous accompagnera pendant de longues années. L'achat de l'un des nos produits garantit une assistance professionnelle pour l'entretien et les réparations. Si la machine n'a pas été achetée chez l'un de nos revendeurs autorisés, demandez l'adresse de l'atelier d'entretien le plus proche.

Ce mode d'emploi est précieux. Veillez à ce qu'il soit toujours à portée de main sur le lieu de travail. En suivant les instructions qu'il contient (utilisation, révision, entretien etc.), il est possible d'allonger considérablement la durée de vie de la machine et d'augmenter sa valeur sur le marché de l'occasion. En cas de vente de la machine, ne pas oublier de remettre le manuel d'utilisation au nouveau propriétaire.

## Plus de 300 ans d'innovation

Husqvarna AB est une entreprise suédoise qui a vu le jour en 1689 lorsque le roi Karl XI décida de construire un arsenal pour la fabrication des mousquets. À l'époque, les compétences en ingénierie à la base du développement de certains des produits leaders du marché mondial dans des domaines tels que les armes de chasse, les vélos, les motocycles, l'électroménager, les machines à coudre et les produits d'extérieur, étaient déjà solides.

Husqvarna est le premier fournisseur mondial de produits motorisés pour utilisation en extérieur dans la foresterie, l'entretien de parcs, de pelouses et de jardins, ainsi que d'équipements de coupe et d'outils diamant destinés aux industries de la construction et de la pierre.

## Responsabilité du propriétaire

Il est de la responsabilité du propriétaire/de l'employeur de s'assurer que l'utilisateur possède les connaissances nécessaires pour manipuler la machine en toute sécurité. Les responsables et les utilisateurs doivent avoir lu et compris le Manuel d'utilisation. Ils doivent avoir conscience :

- Des instructions de sécurité de la machine.
- Des diverses applications de la machine et de ses limites.
- De la façon dont la machine doit être utilisée et entretenue.

La législation nationale peut réglementer l'utilisation de cette machine. Recherchez la législation applicable dans le lieu où vous travaillez avant d'utiliser la machine.

## Droit de réserve du fabricant

Husqvarna peut éditer des informations complémentaires concernant l'utilisation de ce produit en toute sécurité après la publication du présent manuel. Il incombe au propriétaire de se tenir informé des méthodes d'utilisation les plus sûres.

Husqvarna AB travaille continuellement au développement de ses produits et se réserve le droit d'en modifier, entre autres, la conception et l'aspect sans préavis.

## Conception et propriétés

Les produits Husqvarna se distinguent par des valeurs telles que la haute performance, la fiabilité, la technologie innovante, les solutions techniques de pointe et les considérations environnementales. Pour utiliser ce produit en toute sécurité, l'utilisateur doit lire le manuel avec attention. Contactez votre revendeur Husqvarna pour obtenir de plus amples informations.

Certaines des caractéristiques uniques de votre produit sont décrites ci-dessous.

## Unité hydraulique

L'unité hydraulique PP518 est équipée d'une pompe hydraulique à débit réglable générant de la puissance hydraulique plus efficacement que les pompes standard à roues dentées et cylindrée constante, disponibles sur le marché.

L'unité hydraulique PP518 convient pour l'exploitation d'outils hydrauliques dont les caractéristiques sont les suivantes :

Soupape hydraulique :	centre ouvert
Exigences de débit :	20, 30 ou 40 l/min (5, 8 ou 10 gal/min)
Pression max. :	au moins 140 bar (2 000 psi)

Exemples d'outils hydrauliques Husqvarna pouvant être utilisés avec l'unité PP518 sans subir aucune modification :



**REMARQUE !** Si un outil nécessite un débit de 20 l/min (5 gal/min), il est **INTERDIT** de le faire fonctionner à un plus haut réglage, par exemple à 30 ou 40 l/min (8 ou 10 gal/min). Cela pourrait gravement endommager l'outil, voire causer des blessures personnelles.

**Demandez toujours l'avis du fabricant de l'outil avant de le connecter à l'unité électrique.**

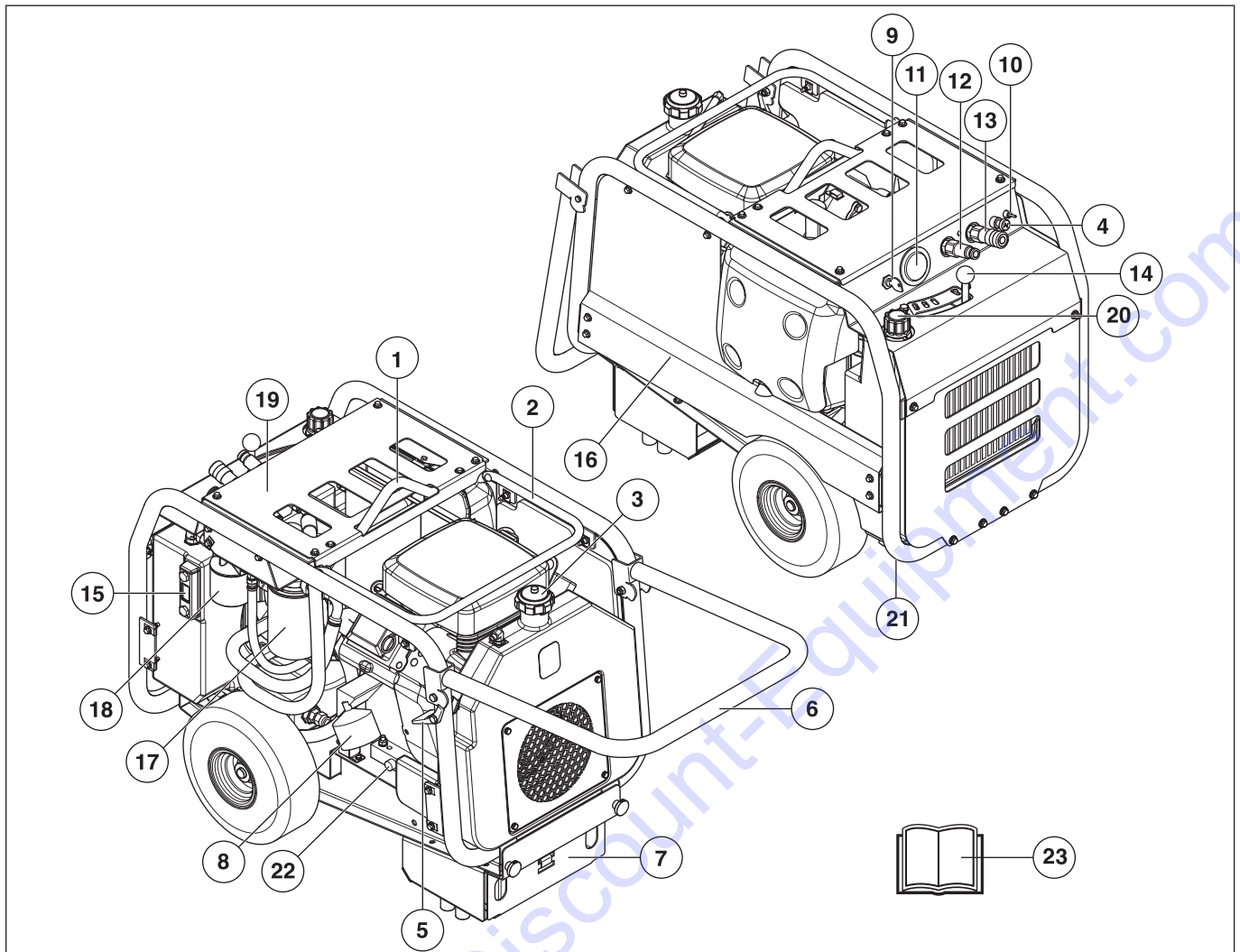
- Découpeuses K2500 K3600
- Moteur de forage DM 406 H
- Scie murale WS 325

## D'autres outils populaires sont :

- Tronçonneuse hydraulique
- Pompe à eau hydraulique

**ATTENTION !** N'utilisez pas le produit avec des marteaux hydrauliques, des broyeurs hydrauliques ou des équipements dotés de vérins hydrauliques.

# QUELS SONT LES COMPOSANTS?



## Les composantes d'un groupe hydraulique

- |    |                                   |    |  |
|----|-----------------------------------|----|--|
| 1  | Œillet de levage                  | 13 | Raccord de retour  |
| 2  | Supports pour tuyaux hydrauliques | 14 | Régulation du débit (huile)  |
| 3  | Bouchon du réservoir de carburant | 15 | Jauge du niveau d'huile  |
| 4  | Commande de starter               | 16 | Fusible électrique, 10 A   |
| 5  | Poignée de verrouillage           | 17 | Grand filtre à huile hydraulique                                     |
| 6  | Poignée de transport              | 18 | Petit filtre à huile hydraulique                                     |
| 7  | Batterie                          | 19 | Soupape de capteur de pression réglable pour plein régime ou ralenti |
| 8  | Filtre à huile moteur             | 20 | Bouchon de l'huile hydraulique                                       |
| 9  | Verrouillage de l'allumage        | 21 | Bouchon de remplissage d'huile hydraulique                           |
| 10 | Bouton d'accélération             | 22 | Bouchon de remplissage d'huile moteur                                |
| 11 | Compteur d'heures                 | 23 | Manuel d'utilisation   |
| 12 | Raccord de pression               |    |  |

# MONTAGE ET RÉGLAGES

## Généralités

**REMARQUE!** L'unité hydraulique PP518 doit subir un entretien avant d'être utilisée.

Sur certains marchés de consommateurs, l'unité hydraulique peut être fournie déjà remplie d'huile hydraulique et d'huile moteur.

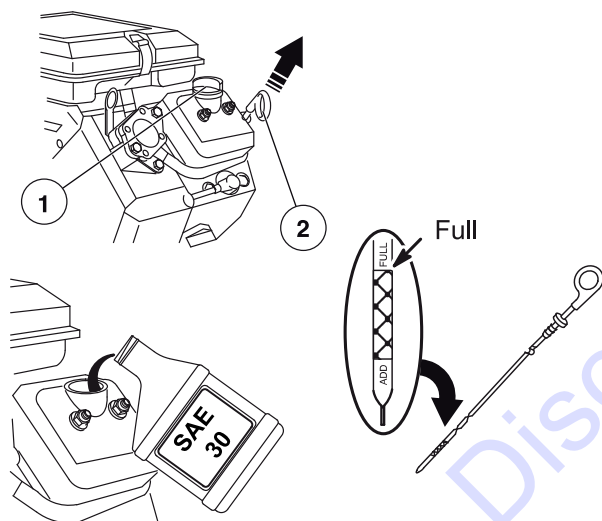
Déballez l'unité hydraulique de son emballage de transport et placez-la sur une surface plane.



**IMPORTANT!** Pour soulever l'unité hydraulique, utilisez toujours l'anneau de levage.

## Approvisionnement en huile moteur

Vérifiez le niveau d'huile du moteur



1 Remplissage d'huile

2 Jauge

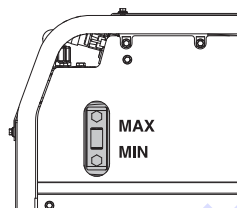
S'il n'y a pas d'huile sur la jauge, il faut remplir le moteur avec de l'huile en suivant les instructions de la section Huile moteur ou en vous reportant au manuel d'utilisation de Briggs & Stratton.

## Approvisionnement en huile hydraulique

Remplissez le réservoir d'huile hydraulique.

N'utilisez que de l'huile hydraulique de qualité supérieure, par exemple ISO 46. Reportez-vous à la section Huile hydraulique pour voir les autres possibilités. Le volume total d'huile nécessaire pour remplir le réservoir la première fois est 10 litres (2,6 gal). L'huile doit être ajoutée jusqu'au centre du verre-regard.

Contrôlez le niveau d'huile et ajoutez de l'huile si nécessaire après le premier test.



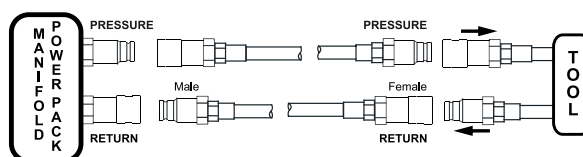
## Raccordement des tuyaux hydrauliques

Nettoyez les raccords de tuyaux hydrauliques à l'aide d'un chiffon avant de procéder au raccordement.

Connectez les tuyaux hydrauliques à l'unité hydraulique. Connectez les deux raccords aux extrémités libres des tuyaux. Les tuyaux sont désormais prêts à être remplis d'huile provenant du réservoir d'huile.

**REMARQUE!** Chaque tuyau peut être raccordé à l'unité électrique par l'une ou l'autre de ses extrémités.

Tous les jeux de tuyaux avec raccords montés comme indiqué ci-dessous permettent une compatibilité parfaite entre l'unité électrique, les tuyaux et les outils.



Si les tuyaux hydrauliques (7,5 m/25 ft) sont vides, il faut rajouter environ 1,8 litres (2 qt) d'huile dans le réservoir d'huile après la première utilisation de l'unité électrique. Si un jeu de tuyau 5/8" supplémentaire de 30 mètres (100 ft) de long est utilisé, il faut rajouter environ 12 litres (3,2 gal).

Le niveau d'huile dans le réservoir d'huile doit être vérifié à plusieurs reprises lorsqu'un nouveau jeu de tuyaux est en cours de remplissage.

## Vérification de la pression des pneus

Contrôlez la pression des pneus. Les pneus sont sans chambre à air.

Si la pression des pneus est trop basse, le pneu est complètement dégonflé. Réglez la pression sur 2 bar (30 psi).

# MONTAGE ET RÉGLAGES

## Branchement de la batterie

L'unité hydraulique est fourni sans câble de batterie.

La batterie d'origine ne nécessite aucun entretien. N'essayez pas de retirer ou d'ouvrir les bouchons et couvercles. Il n'est généralement pas nécessaire de vérifier ou d'ajuster le niveau d'électrolyte.

N'utilisez qu'une batterie similaire ne nécessitant aucun entretien pour remplacement. Consultez les informations dans la section Caractéristiques techniques.



**AVERTISSEMENT! Les batteries plomb-acide génèrent des gaz explosifs. Éviter les étincelles, les feux ouverts et de fumer près des batteries.**

**Le branchement ou le débranchement de la batterie peut causer des étincelles et des courts-circuits. Ne branchez jamais les bornes de la batterie à des clés, des pièces de monnaie, des vis ou tout autre élément métallique ; cela pourrait causer un court-circuit de la batterie.**

**La batterie dégage un gaz explosif. Étincelles, flammes ou cigarettes sont formellement interdites à proximité de la batterie.**

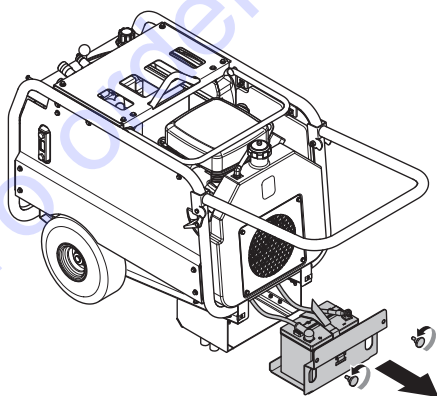
**Les batteries inutilisées doivent rester à distance d'objets métalliques tels que des clous, des pièces de monnaie ou des bijoux.**

**Avant de brancher la batterie, retirez bracelets en métal, montres, bagues, etc. Portez des gants et des lunettes de protection ou un masque à poussière lorsque vous manipulez la batterie.**

Procédez comme suit pour brancher la batterie.

La batterie se place dans le pied d'appui de l'unité hydraulique

- 1 Desserrez les deux bouchons à l'avant du pied d'appui. Sortez la batterie en vous aidant des deux trous sur le bord avant. Vous avez ainsi accès à la batterie et aux câbles.



- 2 Branchez toujours en premier le câble ROUGE (+) sur la borne positive (+) de la batterie. Fixez le câble sur la borne au moyen d'une vis et d'un écrou 5/16" (clé mixte de 13 mm ou 1/2").

- 3 Branchez le câble de terre NOIR (-) sur la borne négative (-) de la batterie. Fixez le câble sur la borne au moyen d'une vis et d'un écrou 5/16" (clé mixte de 13 mm ou 1/2").

# MANIPULATION DU CARBURANT/DE L'HUILE

## Généralités



**AVERTISSEMENT!** Suivez les étapes suivantes pour réduire le risque de blessures personnelles et de dommages matériels.

Manipuler le carburant avec précaution. Penser aux risques d'incendie, d'explosion et d'inhalation.

Ne procédez pas au remplissage en carburant à proximité d'étincelles ou de flammes nues. Eviter de fumer.

Conserver le carburant uniquement dans des récipients prévus à cette fin.

Ne retirez jamais le bouchon du réservoir de carburant et ne remplissez jamais le réservoir quand le moteur tourne. Arrêter le moteur et le laisser refroidir pendant quelques minutes avant de faire le plein.

Ne jamais faire le plein de carburant à l'intérieur.

Transporter et ranger la machine et le carburant de façon à éviter que toute fuite ou émanation éventuelle entre en contact avec une flamme vive ou une étincelle: machine électrique, moteur électrique, contact/interrupteur électrique ou chaudière.

Ne remplissez jamais un bidon à l'intérieur d'un véhicule. Placez toujours le bidon sur le sol et loin de votre véhicule lorsque vous le remplissez.

Sortez la machine du véhicule et remplissez-la sur le sol. Si cela vous est impossible, remplissez l'équipement avec un bidon portable, plutôt qu'à partir d'un pistolet de distributeur d'essence.



**AVERTISSEMENT!** Maintenez le pistolet contre le bord du réservoir de carburant ou de l'orifice du réservoir jusqu'à ce que l'approvisionnement soit terminé. N'utilisez pas un pistolet avec un dispositif de blocage en position ouverte.

Si l'on a renversé sur ses vêtements ou sur soi du carburant ou de l'huile moteur. Changer de vêtements.

Éviter de trop remplir. Si du carburant ou de l'huile moteur ont été répandus sur la machine. Essuyer soigneusement toutes les éclaboussures et laisser les restes d'essence s'évaporer. Serrer soigneusement le bouchon du réservoir après le remplissage.

**REMARQUE!** Manipuler l'huile, le filtre à huile, le carburant et la batterie prudemment et dans le respect de l'environnement. Suivre les directives locales en matière de recyclage.

## Carburant

Pour garantir le fonctionnement du moteur Briggs & Stratton, utilisez une essence sans plomb d'indice d'octane supérieur ou égal à 86 selon la définition du Pump Octane Number (M+R) ou supérieur ou égal à 91 selon la définition du Research Octane Number (RON). Procédez au remplissage dans un endroit bien aéré, le moteur étant éteint.

Il est possible d'utiliser une essence sans plomb standard contenant moins de 10 % d'éthanol (E10). Ne pas utiliser d'essence contenant du méthanol.

Si le carburant utilisé contient plus de 10 % d'éthanol (E10), des problèmes de démarrage et/ou de fonctionnement de l'unité peuvent se présenter. Cela pourrait aussi endommager les pièces du système de carburant en métal, en caoutchouc et en plastique, mais également entraîner un risque d'incendie.

N'utilisez pas de carburant ayant dépassé 30 jours. Du vieux carburant peut causer des problèmes de fonctionnement, mais également endommager le système de carburant.

**Le moteur ne fonctionnera pas avec une essence marquée E85 (85 % d'éthanol).**

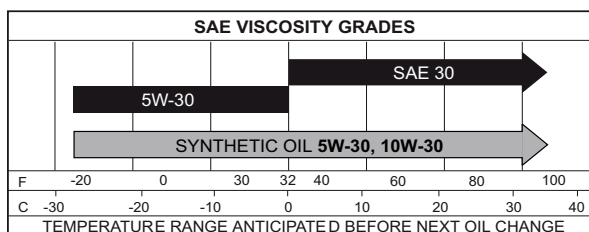
## Huile moteur

### Huile recommandée

Le moteur contient environ 1,4 litre (1-1/2 qt/48 oz) d'huile lorsque l'huile et le filtre à huile sont remplacés.

- Utilisez une huile détergente de haute qualité classée SF, SG, SH, SJ ou supérieure.
- Briggs & Stratton recommande vivement d'utiliser des huiles synthétiques.
- N'utilisez pas d'additifs pour huile spécifiques.
- Choisissez la viscosité en fonction du tableau ci-dessous.

L'utilisation d'une huile synthétique ne modifie pas les intervalles requis de changement d'huile. Reportez-vous au manuel d'utilisation de Briggs & Stratton pour plus de détails sur l'huile.



## Huile hydraulique

Toutes les huiles hydrauliques de haute qualité présentant un indice de viscosité ISO 46 (46 cSt) peuvent être utilisées.

Les huiles hydrauliques de haute qualité vendues comme biodégradables peuvent être utilisées si elles présentent un indice de viscosité identique à ISO 46.

**REMARQUE!** Les huiles hydrauliques biodégradables peuvent nécessiter d'autres intervalles d'entretien que les huiles minérales classiques.

Consultez et respectez les recommandations du fournisseur en ce qui concerne la durée de vie de l'huile.

Le système hydraulique peut aussi être utilisé avec des huiles de qualité alimentaire, pour certaines applications. Contactez Husqvarna Construction Products si vous avez besoin d'aide.



# COMMANDE

## Équipement de protection

### Généralités

Ne jamais utiliser une machine s'il n'est pas possible d'appeler au secours en cas d'accident.

### Équipement de protection personnelle

Un équipement de protection personnelle homologué doit impérativement être utilisé lors de tout travail avec la machine. L'équipement de protection personnelle n'élimine pas les risques mais réduit la gravité des blessures en cas d'accident. Demander conseil au concessionnaire afin de choisir un équipement adéquat.



**AVERTISSEMENT!** L'utilisation de produits tels que des ciseaux, des disques, des forets, des disques fins ou des formes peut générer de la poussière et des vapeurs pouvant contenir des substances chimiques toxiques. Vérifiez la composition du matériel avec lequel vous travaillez et portez un masque respiratoire adapté.



**AVERTISSEMENT!** Une exposition prolongée au bruit risque de causer des lésions auditives permanentes. Toujours utiliser des protecteurs d'oreille agréés. Soyez toujours attentifs aux signaux d'alerte ou aux appels en portant des protège-oreilles. Enlevez-les sitôt le moteur arrêté.



**AVERTISSEMENT!** Le risque de coincement est toujours présent lors de travail avec des produits comportant des éléments mobiles. Utiliser des gants de protection pour éviter les blessures personnelles.

Toujours utiliser:

- Casque de protection
- Protecteur d'oreilles
- Lunettes protectrices ou visière
- Masque respiratoire
- Gants solides permettant une prise sûre.
- Vêtements confortables, robustes et serrés qui permettent une liberté totale de mouvement.
- Bottes avec coquille en acier et semelle antidérapante.

Attention! Les habits, les cheveux longs et les bijoux peuvent se coincer dans les parties en mouvement.

## Autre équipement de protection



**AVERTISSEMENT!** Lorsque vous travaillez avec la machine, des étincelles peuvent se former et mettre le feu. Gardez toujours à portée de main les outils nécessaires à l'extinction d'un feu.

- Matériel de protection contre le feu
- Une trousse de premiers secours doit toujours être disponible.

## Instructions générales de sécurité



**AVERTISSEMENT!** Lire toutes les consignes et instructions de sécurité. Le non-respect des consignes et instructions peut provoquer une électrocution, un incendie et/ou des blessures graves.

Le présent chapitre décrit les consignes de sécurité de base relatives à l'utilisation de la machine. Aucune de ces informations ne peut remplacer l'expérience et le savoir-faire d'un professionnel.

- Lire attentivement et bien assimiler le manuel d'utilisation avant d'utiliser la machine.
- N'oubliez pas que l'opérateur est responsable des accidents ou dangers aux tiers et à leurs biens.
- Tous les opérateurs doivent recevoir une formation sur l'utilisation de la machine. Il incombe au propriétaire de garantir que les opérateurs reçoivent une formation.
- La machine doit rester propre. Les signes et autocollants doivent être parfaitement lisibles.



**AVERTISSEMENT!** La machine utilisée de manière imprudente ou inadéquate peut devenir un outil dangereux, pouvant causer des blessures graves voire mortelles à l'utilisateur et aux autres personnes présentes.

**Ne jamais permettre à des enfants ou à des personnes ne possédant pas la formation nécessaire d'utiliser ou d'entretenir la machine. Ne jamais laisser d'autres personnes utiliser la machine sans s'être assuré au préalable que ces personnes ont bien compris le contenu du mode d'emploi.**

**N'utilisez jamais la machine si vous êtes fatigué, avez bu de l'alcool ou pris des médicaments susceptibles d'affecter votre vue, votre jugement ou la maîtrise de votre corps.**

# COMMANDE



**AVERTISSEMENT!** Toute modification non autorisée et/ou tout emploi d'accessoires non homologués peuvent provoquer des accidents graves voire mortels pour l'utilisateur et les autres.

Ne modifiez jamais cette machine de façon à ce qu'elle ne soit plus conforme au modèle d'origine et n'utilisez jamais une machine qui semble avoir été modifiée.

Ne jamais utiliser une machine qui n'est pas en parfait état de marche. Appliquer les instructions de maintenance et d'entretien ainsi que les contrôles de sécurité indiqués dans ce manuel d'utilisation. Certaines mesures de maintenance et d'entretien doivent être confiées à un spécialiste dûment formé et qualifié. Voir les instructions à la section Maintenance.

N'utiliser que des accessoires et des pièces d'origine.

## Utilisez toujours votre bon sens

Il est impossible de mentionner toutes les situations auxquelles vous pouvez être confronté. Soyez toujours vigilant et utilisez l'appareil avec bon sens. Si vous êtes confronté à une situation où vous pensez ne pas être en sécurité, arrêtez immédiatement et consultez un spécialiste. Veuillez contacter votre revendeur, votre atelier de réparation ou un utilisateur expérimenté. Il convient d'éviter tous les travaux pour lesquels vous ne vous sentez pas suffisamment qualifié !

## Sécurité du travail

### Sécurité dans l'espace de travail

- **Maintenir un espace de travail propre et bien éclairé.** Les espaces encombrés ou sombres exposent à des accidents.
- Contrôlez toujours et marquez les emplacements des conduites de gaz. Scier près d'une conduite de gaz est toujours synonyme de danger. Veillez à éviter la formation d'étincelles lors du sciage en raison d'un certain risque d'explosion. L'opérateur doit toujours être attentif et concentré sur son travail. La négligence peut causer des blessures personnelles graves voire mortelles.
- N'utilisez pas la machine dans des milieux présentant un risque d'explosion.
- Assurez-vous qu'aucun tuyau ou câble électrique ne passe dans le matériau à découper ou par la zone de travail.
- Contrôlez que les câbles électriques présents dans la zone de travail ne sont pas sous tension.
- Observez la zone environnante et assurez-vous qu'aucun facteur ne risque d'affecter votre contrôle de la machine.
- Ne pas travailler par mauvais temps: brouillard épais, pluie diluvienne, vent violent, grand froid, etc. Travailler par mauvais temps est fatiguant et peut créer des conditions de travail dangereuses telles que le verglas.
- Ne pas utiliser la machine dans un environnement mouillé ou humide, à proximité d'eau, sous la pluie ou la neige.

- Ne jamais commencer à travailler avec la machine sans avoir le champ libre et les pieds bien d'aplomb.



**AVERTISSEMENT!** Ne lavez pas la machine avec de l'eau. Elle peut en effet s'infiltrer dans le système électrique ou le moteur et ainsi endommager la machine ou provoquer un court-circuit.

## Sécurité du personnel

- N'utilisez jamais la machine si vous êtes fatigué, avez bu de l'alcool ou pris des médicaments susceptibles d'affecter votre vue, votre jugement ou la maîtrise de votre corps.
- Évitez tout démarrage intempestif. Veillez à ce que l'interrupteur d'allumage soit en position d'arrêt et le sélecteur de débit en position 0.
- Ne laissez jamais la machine sans surveillance avec le moteur en marche.
- Ne travaillez jamais seul, mais toujours avec une personne à proximité. Cette personne peut aider à monter la machine, mais aussi intervenir en cas d'accident.
- Des personnes ou des animaux peuvent détourner l'attention de l'opérateur et l'amener à perdre le contrôle de la machine. C'est pourquoi l'opérateur doit toujours être attentif et concentré sur son travail.

## Utilisation et entretien

- La machine est conçue pour des applications industrielles et destinée à des opérateurs expérimentés.
- Tout contrôle et/ou entretien doit être effectué avec le moteur à l'arrêt.
- Ne sollicitez pas la machine excessivement. Une surcharge peut endommager la machine.
- Arrêtez toujours la machine avant de la déplacer.
- Faites preuve de prudence en cas de levage. Le maniement de pièces lourdes implique un risque de coinçage ou autre blessure.
- N'exposez pas la machine à des températures dépassant 45°C ou aux rayons directs du soleil.
- Vérifiez que tous les couplages, raccordements et câbles sont intacts et qu'ils sont propres.
- Assurez-vous que toutes les pièces sont en état de fonctionnement et que tous les éléments de fixation sont correctement serrés.

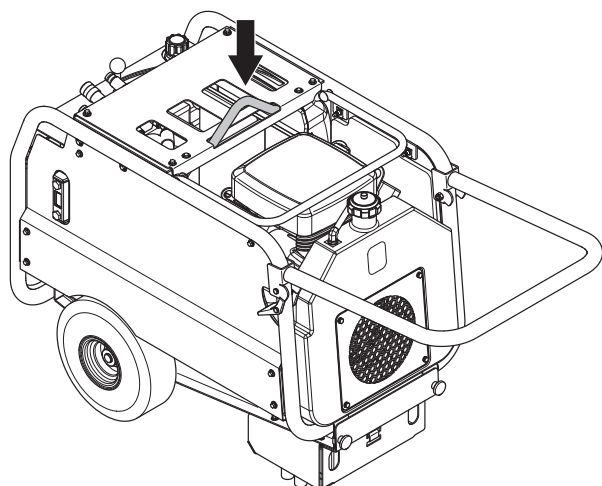
## Transport

La méthode la plus sûre pour déplacer l'unité hydraulique depuis une remorque vers une zone de travail consiste à la soulever à l'aide de l'anneau de levage. N'attachez jamais de dispositifs de levage sur toute autre partie de la machine. Les autres composants ne sont pas conçus pour supporter le poids total de l'unité hydraulique.

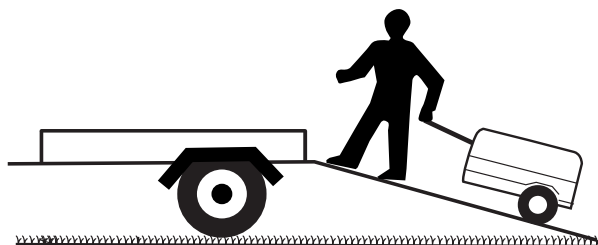


**IMPORTANT!** Pour soulever l'unité hydraulique, utilisez toujours l'anneau de levage.

# COMMANDE

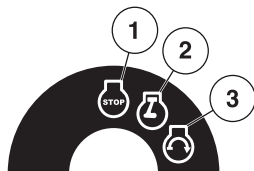


S'assurez que personne ne se tient sous l'unité hydraulique si celle-ci doit être déplacée manuellement dans ou hors d'une remorque ou le long d'une pente.



## Fonctions de commande

### Verrouillage de l'allumage



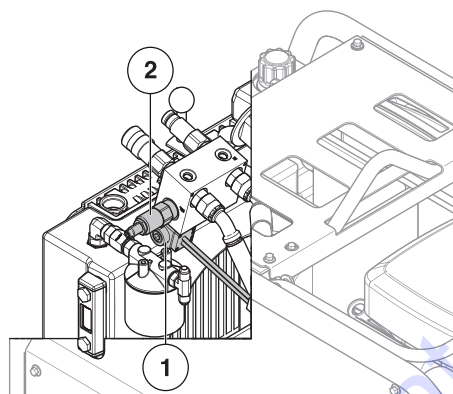
- 1 Position d'arrêt, aucun des appareils électriques n'est alimenté.
- 2 Position de fonctionnement de l'unité hydraulique. Notez que le minuteur enregistre le temps, que le moteur tourne ou pas. Si le bouton reste en position de fonctionnement, la batterie se décharge plus vite.
- 3 Position de démarrage, le moteur est lancé.

### Régulation du débit (huile)

- Réglez le débit d'huile en enfonçant le sélecteur de débit et en le poussant vers la gauche jusqu'au débit d'huile souhaité. Pour connaître les exigences de débit, reportez-vous au manuel d'utilisation de l'outil en question. N'utilisez jamais un réglage de débit d'huile supérieur à la valeur recommandée.
- Une fois le travail accompli, le sélecteur de débit doit obligatoirement être ramené à la position 0 avant de couper le moteur.
- Le moteur doit toujours être démarré avec le sélecteur de débit en position 0. Cela garantit que le moteur du démarreur électrique peut lancer le moteur.

Cette unité hydraulique peut produire un débit d'huile de 40 litres (10 gal) par minute. Le réglage d'usine de la soupape de décharge est une pression d'ouverture de 148 bar (2 150 psi).

## Accélération automatique



- 1 Limiteur de débit (ne pas régler)
- 2 Soupape de capteur de pression réglable pour plein régime ou ralenti

La fonction d'accélération automatique est enclenchée par un capteur de pression réglable pour ralenti et plein régime dans le bloc hydraulique.

Le réglage du capteur de pression réglable pour ralenti et plein régime de l'accélération automatique n'a aucun effet sur le réglage de la soupape de décharge (= pression maximale du système). Le capteur ne détecte que la pression du système et indique au moteur de tourner au ralenti ou à plein régime. La soupape de décharge ne doit pas être ajustée.

Lorsque l'outil est engagé, la pression d'huile augmente rapidement jusqu'à plus de 50 bar (700 psi). L'accélération automatique augmente alors la vitesse du moteur jusqu'à atteindre le plein régime. Il est recommandé que le moteur atteigne le plein régime lorsque l'outil est engagé.

Dans certaines applications, l'accélération du système hydraulique peut être réglée sur une valeur basse. Le moteur peut ainsi continuer à tourner au ralenti même après que l'outil est raccordé et que la puissance maximale est nécessaire.

La circulation de l'huile dans les tuyaux génère une faible pression, appelée contre-pression, au niveau de la soupape du capteur de pression réglable.

La contre-pression dans le système peut varier pour diverses raisons telles que :

- Huile hydraulique froide
- Longueur des tuyaux : un tuyau plus long génère une contre-pression plus élevée.
- La soupape dans l'outil hydraulique peut limiter considérablement le débit.

Lorsque le sélecteur de débit est réglé sur 40 litres (10 gal) par minute, ce volume d'huile circule dans les tuyaux, dans l'outil puis retourne dans le réservoir.

# COMMANDE

## Réglage

Dans l'unité PP518, la pression de réaction de la soupape d'accélération est réglée afin d'obtenir la fonction requise d'un outil et d'une condition spécifiques.

- 1 Raccordez les tuyaux et l'outil à utiliser.
- 2 Placez le sélecteur de l'accélération automatique sur la position 1.
- 3 Réglez le sélecteur de débit sur une valeur adaptée à l'outil.

**REMARQUE!** Si l'huile est froide, la contre-pression dans le système enclenche le plein régime.

- 4 Laissez l'huile hydraulique chauffer pendant 1 à 2 minutes. Elle est désormais prête à fonctionner. L'huile hydraulique atteint une température de service stable au bout de 5 à 10 minutes.
- 5 Si la machine tourne depuis 10 minutes et que l'accélération automatique ne fonctionne pas correctement, la valeur seuil de pression entre le ralenti et le plein régime peut être ajustée.
- 6 Réglez la pression dans le capteur de pression de l'accélération à l'aide d'une clé mixte de 8 mm ou 5/16".

Si le moteur de l'unité hydraulique est toujours en plein régime sans engager l'outil et que l'huile est chaude : tournez la vis de réglage dans le sens des aiguilles d'une montre d'1/8<sup>e</sup> de tour jusqu'à obtenir un fonctionnement correct.

Si le moteur de l'unité hydraulique est toujours au ralenti alors que l'outil est engagé et fonctionne bien, mais que l'huile est froide : tournez les vis de réglage dans le sens inverse des aiguilles d'une montre d'1/8<sup>e</sup> de tour jusqu'à obtenir un fonctionnement correct.

## Tuyaux et raccords hydrauliques

L'unité PP518 est munie d'un tuyau long de 7,5 m (25 ft), de 12,7 mm (1/2") de diamètre interne. UN tuyau supplémentaire de 10 m (33 ft) de long et de même diamètre peut être fixé (18-20 m/60-65 ft en tout). Si votre application nécessite un tuyau plus long, nous recommandons :

Une rallonge maximale de tuyau de longueur totale 40 m (130 ft).

- Utilisez le tuyau de 7,5 m (25 ft) de long fourni avec l'unité électrique.
- Raccordez deux tuyaux de rallonge de 16 mètres (53 ft), de diamètre supérieur ou égal à 16 mm (5/8").

Une longueur de tuyau de 32 mètres (100 ft) peut également être utilisée, mais sa manipulation est difficile.

Nous recommandons vivement d'utiliser les raccords hydrauliques compatibles HTMA à face plate.



**IMPORTANT! Les tuyaux et raccords hydrauliques doivent présenter une capacité nominale de pression de 140 bar (2 000 psi) et un coefficient de sécurité de 4:1.**



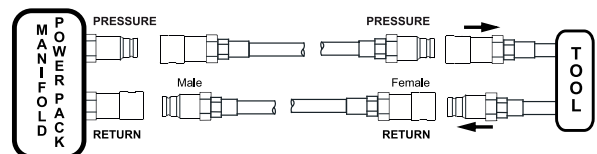
**REMARQUE!** Le sens du débit dans le système va toujours du raccord mâle au raccord femelle. Cela signifie que tous les tuyaux de rallonge doivent être assemblés de la même manière. S'il y a un raccord mâle à une extrémité d'un tuyau, il doit toujours y avoir un raccord femelle à l'autre extrémité. N'utilisez jamais deux raccords du même type sur un même tuyau.



**IMPORTANT! L'huile hydraulique et, par conséquent, les tuyaux et raccords hydrauliques peuvent être brûlants pendant le fonctionnement normal.**

Un raccord hydraulique à une température de 50 °C (120 °F) donne une sensation de CHALEUR au toucher. Il est normal pour la température de l'huile dans l'unité hydraulique d'atteindre 70 °C (158 °F) si elle est utilisée un jour de grande chaleur avec des températures ambiantes dépassant 40 °C (104 °F).

Pour référence, on peut noter par exemple qu'un moteur de voiture fonctionne normalement à 90 °C (195 °F).



# DÉMARRAGE ET ARRÊT

## Avant le démarrage



**AVERTISSEMENT!** Lire attentivement et bien assimiler le manuel d'utilisation avant d'utiliser la machine.

Utiliser les équipements de protection personnelle. Voir au chapitre "Équipement de protection personnelle".

Veiller à ce qu'aucune personne non autorisée ne se trouve dans la zone de travail pour éviter le risque de blessures graves.

Vérifiez que la machine est correctement montée et ne présente aucun dommage.

Consultez les instructions données à la section Montage et réglages.

- Effectuez un entretien quotidien. Voir au chapitre Entretien.



**AVERTISSEMENT!** Le moteur émet du monoxyde de carbone. Il s'agit d'un gaz incolore et toxique. Ne pas utiliser la machine dans des espaces clos.

## Premier démarrage

Si l'unité électrique est fournie sans huile hydraulique dans le réservoir et dans les tuyaux, les niveaux d'huile doivent être vérifiés avec soin avant d'utiliser l'unité pour la première fois.

Un nouveau jeu de tuyaux hydrauliques vides nécessite environ 1,8 l (2 qt) d'huile.

Une fois l'unité électrique démarrée pour la première fois et le sélecteur de débit réglé sur la valeur requise, les tuyaux hydrauliques se remplissent d'huile. Avant d'utiliser la machine, le niveau dans le réservoir d'huile hydraulique doit être contrôlé.

Si nécessaire, arrêtez le moteur et faites le plein d'huile hydraulique.

## Contrôles avant la mise en marche

Avant de démarrer l'unité hydraulique, vérifiez que :

- La batterie est chargée et montée correctement.
- Les pneus sont gonflés correctement.
- Le niveau d'huile moteur est correct.
- Le réservoir de carburant est rempli d'essence normale sans plomb, neuve et propre.
- Le réservoir d'huile hydraulique est rempli jusqu'au niveau adéquat.
- Vous savez où se trouvent les commandes et à quoi les servent. Testez-les avant de démarrer le moteur.
- Vous avez raccordé les tuyaux hydrauliques à l'unité hydraulique et connecté les autres extrémités à un outil hydraulique ou entre elles.
- Placez toujours le sélecteur de débit sur la position 0 avant de démarrer.



**IMPORTANT!** Vérifiez, avant chaque utilisation, que les divers pièces et composants de l'unité hydraulique ne sont pas endommagés. Faites particulièrement attention aux fuites d'essence ou d'huile.

## Démarrage

Démarrez toujours le moteur avec le sélecteur de débit en position 0 et l'accélération en position 1.

Le levier d'accélération vous permet de sélectionner l'un des deux modes de fonctionnement de l'accélération.

Le bouton d'accélération automatique peut être réglé sur 1 ou 0.

- Bouton d'accélération automatique en position 0 :

Lorsque le levier est en position 0, le moteur tourne à plein régime, entre 2 600-2 700 tr/min (chargé) et 2 800 tr/min (sans charge).

- Bouton d'accélération automatique en position 1 :

Après démarrage, la vitesse de ralenti du moteur est d'environ 1 900 tr/min.

Lorsque l'outil est engagé, un pressostat sur l'unité électrique augmente la vitesse du moteur et le fait passer en plein régime.

Lorsque l'outil est désengagé, la vitesse du moteur redescend à 1 900 tr/min.

La sensibilité du système de commande de l'accélération automatique peut être ajustée afin de compenser des conditions variables, par exemple une contre-pression accrue lorsque les rallonges de tuyau sont connectées, un fonctionnement à des températures plus faibles, une huile de viscosité différente, etc.

Consultez les instructions données à la section Réglage.

- 1 **Moteur froid:** Tirer complètement le starter.
- 2 Placer la clé de contact en position de démarrage.
- 3 Quand le moteur démarre, relâchez immédiatement la clé de contact pour qu'elle revienne en position de fonctionnement. Enfoncez le starter si vous vous en êtes servi pour démarrer.
- 4 Laissez le moteur chauffer pendant 1 à 2 minutes. Placez le sélecteur de débit sur la valeur requise. Cela permet à l'huile hydraulique de s'écouler de la pompe vers l'outil en passant par les tuyaux.

Par temps froid, nous recommandons de laisser l'unité hydraulique pomper l'huile via les tuyaux et l'outil jusqu'à ce que l'huile ait atteint une température d'au moins 10 °C (50 °F) avant d'utiliser l'outil. Cette précaution garantit le fonctionnement correct du bouton d'accélération automatique.

Consultez les instructions données à la section Réglage.



# DÉMARRAGE ET ARRÊT

## Démarrage d'un moteur avec batterie faible

Si la batterie est trop faible pour démarrer le moteur, rechargez-la ou remplacez-la.

Si des câbles sont utilisés pour un démarrage d'urgence, procéder comme suit:



**IMPORTANT! Votre unité hydraulique est équipée d'un système de terre négatif de 12 volts. L'autre véhicule doit posséder un système de terre négatif de 12 volts. N'utilisez pas la batterie de votre unité pour démarrer d'autres véhicules.**

## Raccordement des câbles de démarrage

- 1 Brancher chaque extrémité du câble rouge à la borne POSITIVE (+) de chaque batterie en veillant à ne pas court-circuiter une extrémité contre le châssis.
- 2 Brancher une extrémité du câble noir à la borne NÉGATIVE (-) de la batterie complètement chargée.
- 3 Brancher l'autre extrémité du câble noir à un bon CHÂSSIS DE TERRE à bonne distance du réservoir de carburant et de la batterie.

## Retirer les câbles dans l'ordre inverse.

- 1 Commencer par débrancher le câble NOIR du châssis puis de la batterie complètement chargée.
- 2 Débrancher ensuite le câble ROUGE des deux batteries.

## Arrêt

Tournez la clé de contact sur la position d'arrêt pour arrêter l'unité hydraulique.

## Généralités

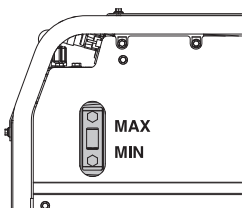


**AVERTISSEMENT! L'utilisateur ne peut effectuer que les travaux d'entretien et de révision décrits dans ce manuel d'utilisation. Les mesures plus importantes doivent être effectuées dans un atelier d'entretien agréé.**

La durée de vie de la machine risque d'être écourtée et le risque d'accidents accru si la maintenance de la machine n'est pas effectuée correctement et si les mesures d'entretien et/ou de réparation ne sont pas effectuées de manière professionnelle. Pour obtenir de plus amples informations, contacter l'atelier de réparation le plus proche.

## Entretien quotidien

- Vérifiez que l'équipement de sécurité de la machine est en parfait état. Voir instructions à la rubrique « Équipement de sécurité de la machine ».
- Toujours nettoyer l'équipement complet à la fin de la journée de travail. Utilisez une brosse manuelle résistante ou un pinceau large.
- Veiller à garder les connecteurs et les broches propres. Nettoyer à l'aide d'un chiffon ou d'une brosse.
- Vérifiez que le niveau d'huile hydraulique dans le verre- regard est au-dessus de la limite inférieure spécifiée. Ajoutez de l'huile si nécessaire.



- Vérifiez que les tuyaux hydrauliques ne fuient pas et ne sont pas courbés, vérifiez aussi que les raccords ne fuient pas.
- Vérifiez qu'il n'y a pas ni débris ni poussière accumulés dans le refroidisseur d'huile. Nettoyez à l'aide d'air comprimé ou d'un tuyau d'arrosage. N'utilisez pas de nettoyeur haute pression directement sur le refroidisseur.

**ATTENTION ! Ne pas utiliser de nettoyeur haute pression pour le nettoyage de la machine. Le jet à haute pression peut endommager les joints et ainsi laisser de l'eau ou de la poussière pénétrer dans la machine, ce qui cause de graves dommages.**

## Moteur

Le niveau d'huile doit toujours être contrôlé avant de démarrer le moteur. Maintenez toujours le niveau d'huile au repère maximal. Ne mettez pas trop d'huile. Vérifiez le niveau tous les jours ou toutes les 8 heures de fonctionnement.

**REMARQUE! Le moteur contient environ 1,4 litre (1-1/2 qt/ 48 oz) d'huile lorsque l'huile et le filtre à huile sont remplacés.**

L'unité hydraulique doit toujours être placée sur une surface plane lors du contrôle et du remplacement de l'huile.

Changez l'huile après les 5 à 8 premières heures d'utilisation. Elle doit ensuite être changée toutes les 50 heures d'utilisation.

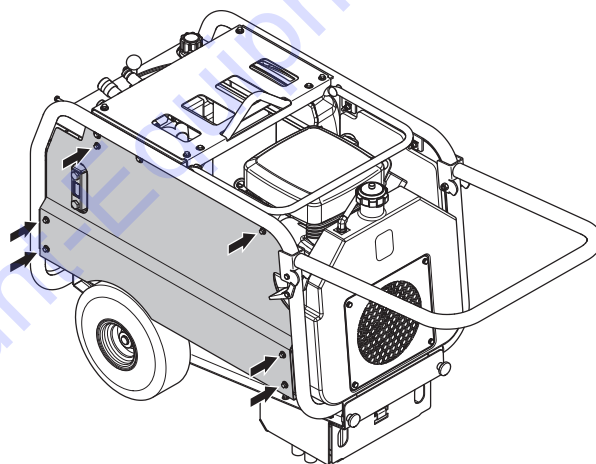
Le filtre à huile doit être remplacé toutes les 100 heures d'utilisation.

Consultez les instructions données aux sections Huile moteur et Recommandations relatives à l'huile ainsi que dans le manuel d'utilisation de Briggs & Stratton.

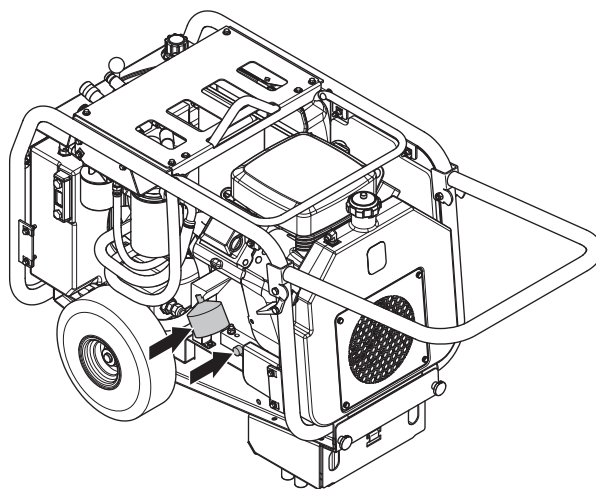
Nous recommandons vivement d'utiliser uniquement des pièces de rechange d'origine de Briggs & Stratton.

## Remplacement de l'huile moteur

- 1 Le moteur doit être éteint mais encore chaud.
- 2 Desserrez les 6 vis indiquées ci-dessous.



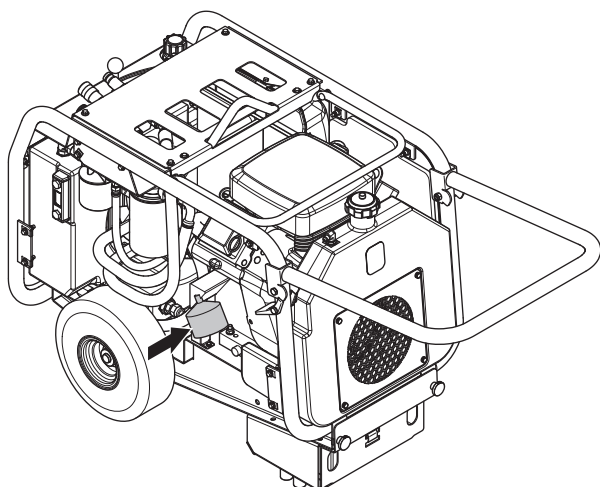
- 3 Enlevez le panneau latéral pour accéder au bouchon de remplissage d'huile et au filtre à huile.



- 4 Vidangez l'huile dans un récipient adapté. Pour plus d'informations, reportez-vous au manuel d'utilisation de Briggs & Stratton.
- 5 Remplissez d'abord avec 1 litre (1 qt) d'une des huiles recommandées.
- 6 Démarrer et faire tourner le moteur au ralenti pendant environ 30 secondes.
- 7 Arrêter le moteur. Contrôlez de nouveau le niveau d'huile et ajoutez de l'huile si nécessaire. Normalement 0,3 à 0,5 litre (12-15 oz).

## Remplacement du filtre à huile

Pour accéder au filtre à huile moteur, suivez les instructions données à la section 1-4 sous Remplacement de l'huile moteur.



- 1 Ôtez le filtre à huile moteur.
- 2 Avant d'installer le nouveau filtre, son joint doit être recouvert d'huile neuve et propre.
- 3 Mettez le filtre en place en le vissant à la main jusqu'à ce que le joint touche l'adaptateur du filtre à huile.
- 4 Faites 1/2 à 3/4 tour de plus.

## Pression d'huile moteur

- Si la pression d'huile moteur descend en dessous de 0,1-0,2 kg/cm (1-4 psi), un pressostat coupe le moteur.
- Si le niveau d'huile moteur est en dessous du repère sur la jauge, rajoutez de l'huile moteur jusqu'à ce que le niveau atteigne le repère maximal. Essayez de démarrer le moteur.
- Si le problème persiste, contactez un agent agréé du service Briggs & Stratton.

## Filtre à air

Si le moteur manque de puissance ou s'il tourne irrégulièrement, il se peut que le filtre à air soit colmaté. Inspectez le filtre à air et effectuez-en la maintenance à chaque changement d'huile, toutes les 50 heures de fonctionnement.

## Silencieux

Si le silencieux présente des signes de corrosion ou s'il est endommagé, il faut le remplacer car il peut causer un risque d'incendie et/ou de blessure.

## Filtre à carburant

Le filtre à carburant doit être remplacé s'il s'obstrue et si le flux de carburant dans le carburateur est entravé.

Nous recommandons de remplacer le filtre à carburant toutes les 250 heures de fonctionnement ou une fois par saison.

## Informations supplémentaires relatives au moteur

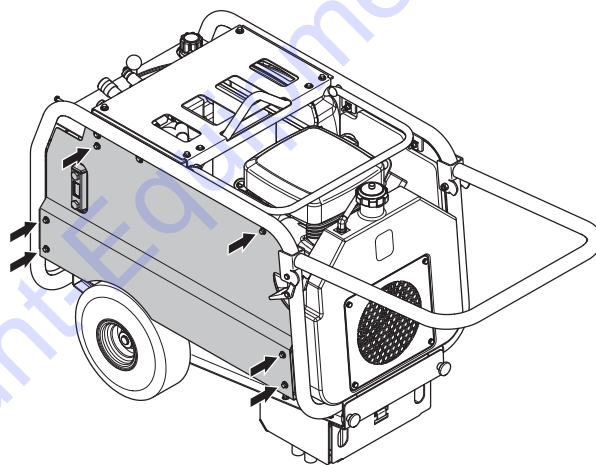
Consultez le manuel d'utilisation de Briggs & Stratton pour plus d'informations sur la maintenance du moteur. Le manuel contient aussi des détails spécifiques sur les caractéristiques techniques, sur les pièces d'entretien, sur la garantie du moteur, sur la conformité des émissions, etc.

## Système hydraulique

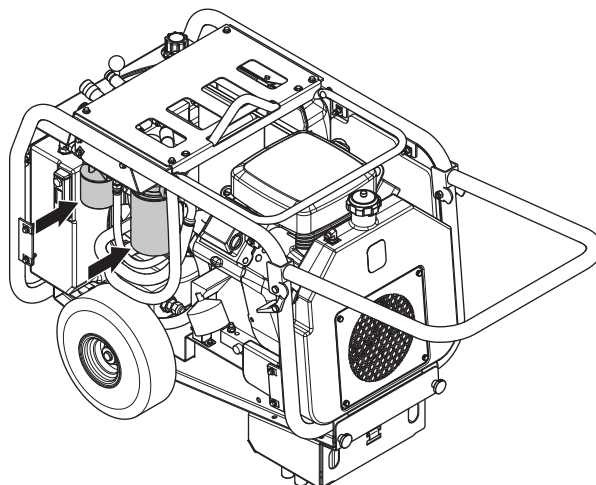
### Remplacement de l'huile hydraulique et du filtre à huile hydraulique

Pour accéder au filtre à huile hydraulique

- 1 Desserrez les 6 vis indiquées ci-dessous.



- 2 Retirez le panneau latéral.



- 3 Fixez les tuyaux sur l'unité hydraulique et raccordez les extrémités des tuyaux ensemble.
- 4 Démarrez le moteur de l'unité hydraulique et placez le sélecteur de débit sur la position 40 l (10 gal).
- 5 Laissez le moteur chauffer pendant 5 minutes avec ce débit.
- 6 Coupez le moteur et vidangez l'huile hydraulique dans un récipient adapté. Les raccords rapides sur les tuyaux doivent de préférence être retirés et l'huile des tuyaux doit être également vidangée.
- 7 Remplacez le filtre à huile hydraulique.
- 8 Remplissez le réservoir avec de l'huile hydraulique.

## Batterie

### Déconnectez la batterie.

- 1 Déconnectez toujours en premier le câble de terre NOIR (-) de la batterie (clé mixte de 13 mm ou 1/2").
- 2 Débranchez ensuite le câble ROUGE (+).

### Charger la batterie.

La seule méthode sûre pour charger la batterie consiste à l'enlever complètement de l'unité hydraulique. Un chargeur standard avec une puissance de charge de 12 V et 2-10 A peut être utilisé. Suivez toutes les instructions concernant le chargeur avant de le connecter à la batterie.

Pour raccorder à nouveau la batterie après la charge, consultez les instructions données à la section Branchement de la batterie.

## Service



**AVERTISSEMENT!** Toutes les réparations doivent être effectuées par des réparateurs agréés. Ceci permet d'éviter que les opérateurs ne soient exposés à des risques importants.

**TO PURCHASE THIS PRODUCT PLEASE CONTACT US**



**Equipment Financing and  
Extended Warranties Available**



**Discount-Equipment.com is your online resource for  
commercial and industrial quality parts and equipment sales.**

**561-964-4949**

**visit us on line @ [www.discount-equipment.com](http://www.discount-equipment.com)**

Select an option below to find your Equipment

**Search by Manufacturer**

**Search by Product Type**

**Request a Quote**

We sell worldwide for the brands: Genie, Terex, JLG, MultiQuip, Mikasa, Essick, Whiteman, Mayco, Toro Stone, Diamond Products, Generac Magnum, Airman, Haulotte, Barreto, Power Blanket, Nifty Lift, Atlas Copco, Chicago Pneumatic, Allmand, Miller Curber, Skyjack, Lull, Skytrak, Tsurumi, Husquvarna Target, Stow, Wacker, Sakai, Mi-T-M, Sullair, Basic, Dynapac, MBW, Weber, Bartell, Bennar Newman, Haulotte, Ditch Runner, Menegotti, Morrison, Contec, Buddy, Crown, Edco, Wyco, Bomag, Laymor, EZ Trench, Bil-Jax, F.S. Curtis, Gehl Pavers, Heli, Honda, ICS/PowerGrit, IHI, Partner, Imer, Clipper, MMD, Koshin, Rice, CH&E, General Equipment, Amida, Coleman, NAC, Gradall, Square Shooter, Kent, Stanley, Tamco, Toku, Hatz, Kohler, Robin, Wisconsin, Northrock, Oztec, Toker TK, Rol-Air, APT, Wylie, Ingersoll Rand / Doosan, Innovatech, Con X, Ammann, Mecalac, Makinex, Smith Surface Prep, Small Line, Wanco, Yanmar



# CARACTÉRISTIQUES TECHNIQUES

## PP518

### Dimensions

Poids à sec sans tuyaux, kg/lb	127/280
Poids, avec huile mais sans carburant, kg/lb	135/298
Poids, tuyau 1/2" x 7,5 m (25 ft), à sec, kg/lb	8,5/19
Poids, tuyau 1/2" x 7,5 m (25 ft), avec huile, kg/lb	10/22
Longueur avec poignée repliée, mm/po	860/34
Longueur avec poignée dépliée, mm/po	1300/51
Largeur, mm/po	550/22
Hauteur	740/29
Hauteur avec tuyaux/support d'outil dépliés	920/36

### Moteur

Briggs & Stratton, V-twin Vanguard 18 hp	
Puissance nominale moteur, en kW (voir remarque 1)	10,4/14
Volume, huile moteur, l/fl oz	1,4/48
Volume, réservoir de carburant, l/gal	7,9/2,1

### Système hydraulique

Système hydraulique, outils	Soupape à centre ouvert
Système hydraulique, unité électrique	Boucle fermée
Type de pompe	Pompe à piston à cylindrée variable
Écoulement, l/min / gpm	20, 30, 40/5, 8, 10
Réglage de la soupape de décharge, bar/psi	148/2150
Pression hydraulique nominale, bar/psi	110/1595
Filtre principal (grand), micron	25
Filtre de pompe (petit), micron	25
Volume du réservoir d'huile, l/gal	10/2,6
Type d'huile	ISO 46
Refroidissement de l'huile	Refroidissement par air, air comprimé Conforme aux exigences de refroidissement HTMA

### Émissions sonores (voir remarque 2)

Niveau de puissance sonore mesuré dB(A)	100
Niveau de puissance sonore garanti $L_{WA}$ dB(A)	101

### Niveaux sonores (voir remarque 3)

Niveau de pression sonore équivalent au niveau de l'oreille de l'utilisateur, dB(A)	92
---	----

### Système électrique

Types de batterie	Taille U1, 12 V, valeur de démarrage à froid 230
Fusible	10 A, similaire à un fusible de voiture, placé près du moteur du démarreur

Remarque 1: La puissance nominale du moteur indiquée est la puissance nette moyenne (à un régime en tr/min spécifié) d'un moteur de production typique pour le modèle de moteur mesuré selon la norme SAE J1349/ISO1585. Cette valeur peut différer pour les moteurs de production de masse. La puissance effective du moteur installé sur la machine finale dépendra de la vitesse de fonctionnement, des conditions environnementales et d'autres valeurs.

Remarque 2: Émission sonore dans l'environnement mesurée comme puissance acoustique ( $L_{WA}$ ) selon la directive UE 2000/14/CE. Le niveau de puissance sonore garanti diffère du niveau mesuré en cela qu'il prend également en compte la dispersion et les variations d'une machine à l'autre du même modèle, conformément à la directive 2000/14/CE.

Remarque 3: Le niveau de pression sonore équivalent, selon la norme EN ISO 11203:2009, R = 1 m, correspond à la somme d'énergie pondérée pour divers niveaux de pression sonore à différentes conditions de fonctionnement. Les données reportées pour le niveau de pression sonore équivalent pour la machine montrent une dispersion statistique typique (déviations standard) de 1 dB (A).

# VERKLARING VAN DE SYMBOLEN

## Symbolen op de machine

**WAARSCHUWING!** Wanneer de machine onjuist of slordig wordt gebruikt, kan het een gevaarlijk gereedschap zijn, dat ernstig letsel of overlijden van de gebruiker of anderen kan veroorzaken.



Neem de gebruiksaanwijzing grondig door en gebruik de machine niet voor u alles duidelijk heeft begrepen.



Draag altijd:

- Goedgekeurde gehoorbeschermers



Dit product voldoet aan de geldende CE-richtlijnen.



Geluidsemissie naar de omgeving volgens de richtlijnen van de Europese Gemeenschap. De emissie van de machine wordt aangegeven in het hoofdstuk Technische gegevens en op plaatjes.



De geluidemper is heet. Kan brandwonden veroorzaken en/of materialen doen ontbranden. Hou al uw lichaamsdelen uit de buurt van hete oppervlakken.



Hydraulische-olietank



Ontstekingsslot

Stoppositie, Bedrijfspositie, Startpositie



Choke.



Brandstoftank



**WAARSCHUWING!**

Brandstof en brandstofdampen zijn zeer brandgevaarlijk. Wees voorzichtig bij het hanteren van brandstof en olie. Denk aan de brand-, explosie- en inademingsrisico's. Vul brandstof niet bij in de buurt van vonken of open vlammen.

**Overige op de machine aangegeven symbolen/plaatjes verwijzen naar specifieke eisen aan certificering op bepaalde markten.**

## Toelichting op de waarschuwningsniveaus

De waarschuwingen zijn onderverdeeld in drie niveaus.

### WAARSCHUWING!



**WAARSCHUWING!** Wordt gebruikt indien er een risico bestaat op ernstig of fataal letsel voor de gebruiker of schade aan de omgeving wanneer de instructies in de handleiding niet worden gevolgd.

### VOORZICHTIG!



**VOORZICHTIG!** Wordt gebruikt indien er een risico bestaat op letsel voor de gebruiker of schade aan de omgeving wanneer de instructies in de handleiding niet worden gevolgd.

### LET OP!



**LET OP!** Wordt gebruikt indien er een risico bestaat op schade aan materialen of de machine wanneer de instructies in de handleiding niet worden gevolgd.

---

# INHOUD

---

## Inhoud

### VERKLARING VAN DE SYMBOLEN

Symbolen op de machine .....	38
Toelichting op de waarschuwingsniveaus .....	38

### INHOUD

Inhoud .....	39
--------------	----

### PRESENTATIE

Beste klant! .....	40
Ontwerp en eigenschappen .....	40

### WAT IS WAT?

Wat is wat op het hydraulische aggregaat? .....	41
---	----

### MONTAGE EN AFSTELLINGEN

Algemeen .....	42
Motorolie bijvullen .....	42
Hydraulische olie bijvullen .....	42
De hydraulische slangen aansluiten .....	42
Controle van de spanning van de banden .....	42
De accu aansluiten .....	43

### BRANDSTOF/OLIE HANTEREN

Algemeen .....	44
Brandstof .....	44
Motorolie .....	44
Hydraulische olie .....	44

### BEDIENING

Veiligheidsuitrusting .....	45
Algemene veiligheidsinstructies .....	45
Werkveiligheid .....	46
Bedieningsfuncties .....	47
De automatische gashendel .....	47
Hydraulische slangen en koppelingen .....	48

### STARTEN EN STOPPEN

Voor de start .....	49
De eerste keer starten .....	49
Controle voor het starten .....	49
Starten .....	49
Stoppen .....	50

### ONDERHOUD

Algemeen .....	51
Dagelijks onderhoud .....	51
Motor .....	51
Hydraulisch systeem .....	52
Accu .....	53
Service .....	53

### TECHNISCHE GEGEVENS

PP518 .....	54
EG-verklaring van overeenstemming .....	55

## Beste klant!

Hartelijk dank dat u voor een Husqvarna-product hebt gekozen!

Wij hopen dat u tevreden zult zijn met uw machine en dat deze u gedurende lange tijd zal vergezellen. Met de aankoop van een van onze producten krijgt u de beschikking over professionele hulp voor reparaties en service. Als u uw machine niet hebt gekocht bij één van onze erkende dealers, vraag hen dan waar de dichtstbijzijnde erkende werkplaats is.

Deze gebruiksaanwijzing is een waardevol document. Zorg dat u hem altijd bij de hand hebt op de werkplek. Door de inhoud (gebruik, service, onderhoud enz.) te volgen kunt u de levensduur van uw machine én de tweedehands waarde aanzienlijk verlengen. Mocht u uw machine verkopen moet u ervoor zorgen de gebruiksaanwijzing aan de nieuwe eigenaar over te dragen.

## Meer dan 300 jaar innovatie

Husqvarna AB is een Zweeds bedrijf met een geschiedenis die teruggaat tot 1689, toen de Zweedse koning Karl XI een fabriek liet bouwen voor de productie van musketten. Op dat moment was de basis al gelegd voor de constructievaardigheden die ten grondslag liggen aan de ontwikkeling van een aantal producten die wereldwijd toonaangevend zijn, zoals jachtwapens, fietsen, motorfietsen, huishoudelijke apparatuur, naaimachines en buitenproducten.

Husqvarna is wereldleider op het gebied van elektrische buitenproducten voor bosbouw, park-, gazon- en tuinonderhoud, alsmede zaagapparatuur en diamantgereedschap voor de bouw- en steenindustrie.

## Verantwoordelijkheid van eigenaar

Het is de verantwoordelijkheid van de eigenaar/gebruiker om ervoor te zorgen dat de gebruiker voldoende weet over een veilig gebruik van de machine. Leidinggevenden en gebruikers moeten de gebruiksaanwijzing hebben gelezen en begrepen. Ze moeten op de hoogte zijn van:

- De veiligheidsinstructies voor de machine.
- De mogelijke toepassingen en de beperkingen van de machine.
- De manier waarop de machine moet worden gebruikt en onderhouden.

Mogelijk zijn er nationale wettelijke voorschriften van toepassing op het gebruik van deze machine. Onderzoek welke wetgeving van toepassing is op de plaats waar u werkt voordat u de machine in gebruik neemt.

## Specifieke bepalingen van de fabrikant.

Na publicatie van deze gebruiksaanwijzing verstrekt Husqvarna mogelijk aanvullende informatie voor veilig gebruik van dit product. Het is de verantwoordelijkheid van de eigenaar om op de hoogte blijven van de veiligste gebruiksmethoden.

Husqvarna AB werkt voortdurend aan het verder ontwikkelen van haar producten en houdt zich dan ook het recht voor om zonder aankondiging vooraf wijzigingen in o.a. vorm en uiterlijk door te voeren.

## Ontwerp en eigenschappen

De producten van Husqvarna onderscheiden zich door waarden zoals hoge prestaties, betrouwbaarheid, innovatieve technologie, geavanceerde technische oplossingen en milieuoverwegingen. Voor een veilig gebruik van dit product dient de gebruiker deze gebruiksaanwijzing grondig te lezen. Neem contact op met uw dealer of Husqvarna wanneer u meer informatie nodig hebt.

Hieronder worden enkele unieke kenmerken van uw product beschreven.

## Hydraulisch aggregaat

Het hydraulische aggregaat PP518 is voorzien van een hydraulische pomp waarvan de toevoer instelbaar is. Het genereert hydraulisch vermogen efficiënter dan standaardpompen met tandwielen en een vast slagvolume.

Het hydraulische aggregaat PP518 kan worden gebruikt voor de bediening van hydraulisch gereedschap met de volgende specificaties:

Hydraulische klep:	'Open midden'
Vereisten toevoer	20, 30 of 40 l/min (5, 8 of 10 gal/min)
Max. druk:	140 bar (2.000 psi) of meer

Voorbeelden van hydraulisch gereedschap van Husqvarna dat zonder aanpassingen met de PP518 kan worden gebruikt:



**VOORZICHTIG!** Als er een toevoer van 20 l/min (5 gal/min) voor een gereedschap nodig is, mag het NIET met een hogere instelling worden gebruikt, bijvoorbeeld 30 of 40 l/min (8 of 10 gal/min). Hierdoor kan er ernstige schade aan het gereedschap en zelfs persoonlijk letsel ontstaan.

Vraag altijd advies aan de fabrikant van het gereedschap voordat u het op de voedingseenheid aansluit.

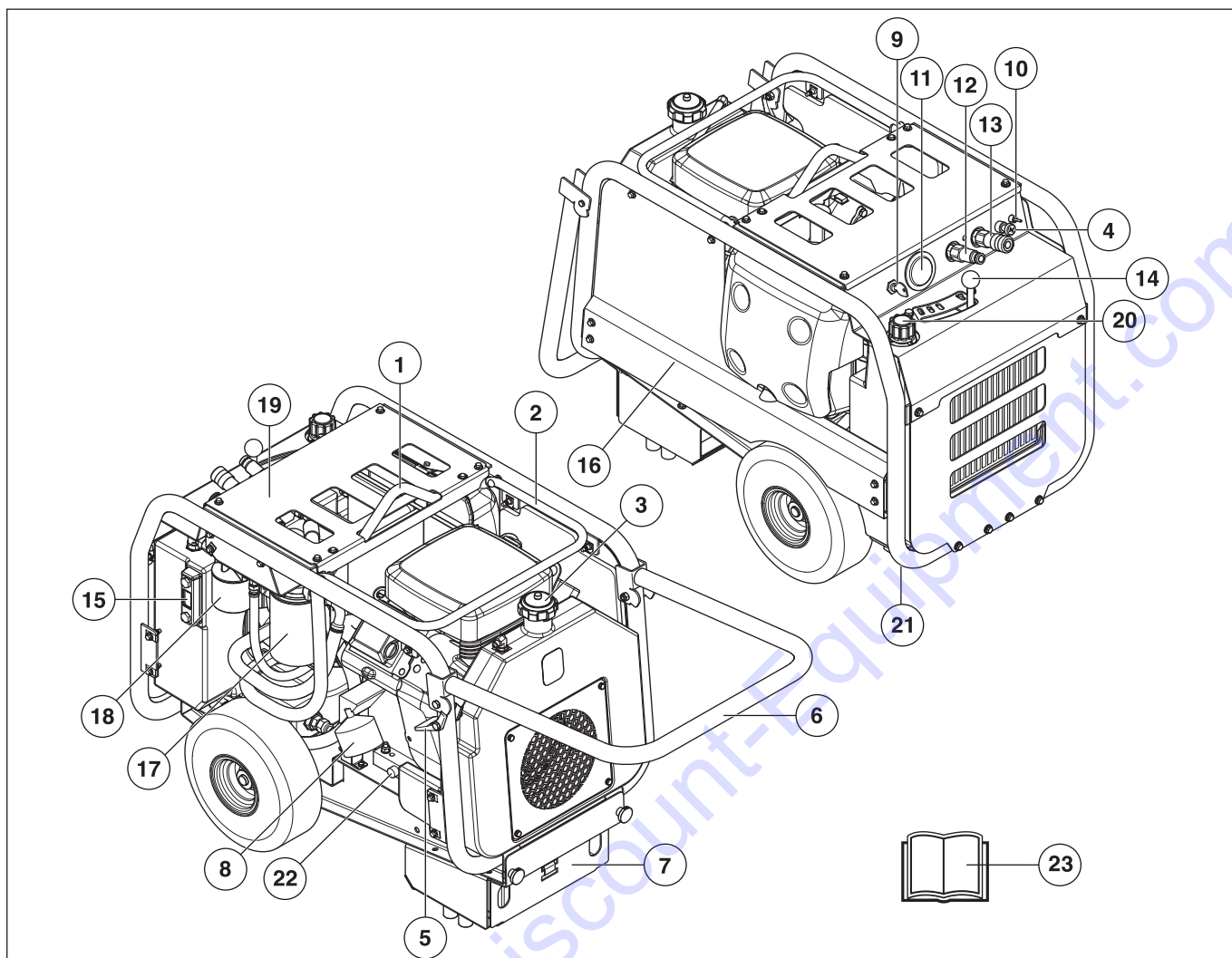
- Doorslijpmachines K2500 K3600
- Boormotor DM 406 H
- Wandzaag WS 325

## Ander populair gereedschap:

- Hydraulische kettingzaag
- Hydraulische waterpomp

**LET OP!** Niet gebruiken in combinatie met hydraulische hamers, hydraulische brekers of apparatuur met hydraulische cilinders.

# WAT IS WAT?



## Wat is wat op het hydraulische aggregaat?

- |                                     |  |
|-------------------------------------|--|
| 1 Hefoog                            | 13 Retouraansluiting                                     |
| 2 Steunen voor hydraulische slangen | 14 Toevoerregeling (olie)                                |
| 3 Tankdop                           | 15 Oliepeilmeter   |
| 4 Chokehendel                       | 16 Elektrische zekering, 10 A                            |
| 5 Vergrendeling handgreep           | 17 Groot hydraulische-oliefilter                         |
| 6 Transporthandgreep                | 18 Klein hydraulische-oliefilter                         |
| 7 Accu                              | 19 Verstelbare druksensorklep voor vol gas of stationair |
| 8 Motoroliefilter                   | 20 Dop hydraulische olie                                 |
| 9 Ontstekingsslot                   | 21 Olieplug voor hydraulische olie                       |
| 10 Schakelaar voor de gashendel     | 22 Olieplug voor motorolie                               |
| 11 Urenteller                       | 23 Gebruiksaanwijzing                                    |
| 12 Drukaansluiting                  |  |



# MONTAGE EN AFSTELLINGEN

## Algemeen

N.B.! Er moet een onderhoudsbeurt aan het hydraulische aggregaat PP518 worden uitgevoerd voordat het kan worden gebruikt.

In bepaalde landen is er bij aflevering al motor- en hydraulische olie aan het hydraulische aggregaat toegevoegd.

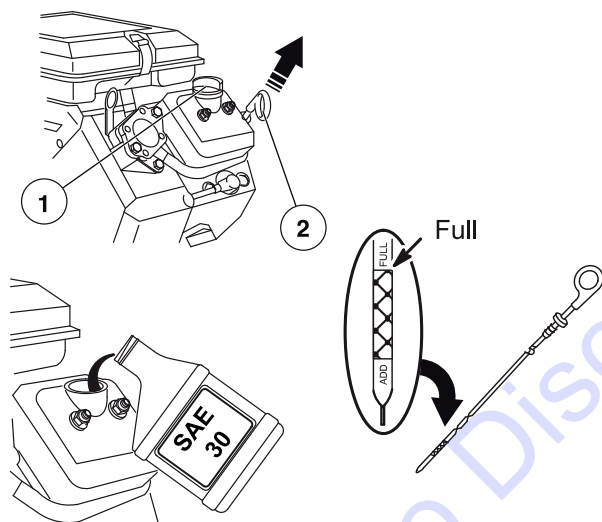
Verwijder de transportverpakking van het hydraulische aggregaat en plaats het op een vlakke ondergrond.



**BELANGRIJK!** Gebruik uitsluitend het hijsrog bij het ophijzen van het hydraulische aggregaat.

## Motorolie bijvullen

Controleer het oliepeil van de motor



- 1 Olie bijvullen
- 2 Peilstok

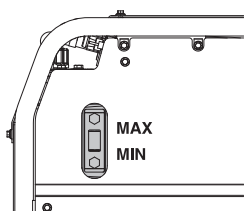
Als er geen olie op de peilstok aanwezig is, moet de motor worden gevuld met olie volgens de instructies onder Motorolie of raadpleeg de gebruikershandleiding van Briggs & Stratton.

## Hydraulische olie bijvullen

Vul de hydraulische-olietank

Gebruik alleen hoogwaardige hydraulische olie, zoals ISO 46. Zie Hydraulische olie voor andere soorten olie. De eerste keer dat het reservoir wordt gevuld, gaat er 10 liter (2,6 gal) in. De olie moet tot het midden van het kijkglasje worden bijgevoerd.

Controleer het oliepeil en voeg waar nodig olie toe nadat de motor voor het eerst heeft gedraaid.



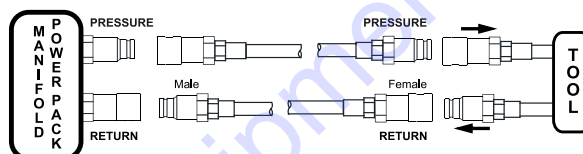
## De hydraulische slangen aansluiten

Reinig de koppelingen van de hydraulische slangen met een doek voordat u ze aansluit.

Sluit de hydraulische slangen aan op het hydraulische aggregaat. Sluit de twee koppelingen aan op de vrije uiteinden van de slangen. De slangen kunnen nu worden gevuld met olie uit de oliefles.

N.B.! De slangen kunnen op de voedingseenheid met een van de slanguiteinden worden aangesloten.

Alle slangen met koppelingen die zijn gemonteerd zoals u in deze afbeelding ziet, zijn volledig compatibel tussen de voedingseenheid, slangen en gereedschappen.



Als de hydraulische slangen (7,5 m/25 ft) leeg zijn, moet er nog ongeveer 1,8 liter (2 quart) olie aan de olietank worden toegevoegd nadat de voedingseenheid voor het eerst is gebruikt. Als er een extra slang van 16 mm (5/8") met een lengte van 30 meter (100 ft) wordt gebruikt, moet er nog ongeveer 12 liter (3,2 gal) olie worden toegevoegd.

Het oliepeil in de olietank moet meerdere keren worden gecontroleerd bij het vullen van een nieuwe set slangen.

## Controle van de spanning van de banden

Controleer de bandenspanning. De banden zijn zogenoemde 'tubeless' banden.

Als de bandenspanning te laag is, is de band helemaal leeg. Stel de druk in op 2 bar (30 psi).

# MONTAGE EN AFSTELLINGEN

## De accu aansluiten

Als het hydraulische aggregaat wordt geleverd, zijn de accukabels nog niet aangesloten.

De oorspronkelijke accu is onderhoudsvrij. Probeer de doppen of deksels niet te openen of te verwijderen. Het peil van de elektrolyt hoeft meestal niet te worden gecontroleerd of aangevuld.

Vervang de accu alleen door een onderhoudsvrije accu van hetzelfde type. Zie de informatie onder Technische gegevens.



**WAARSCHUWING! Lood-zuur-accu's geven explosieve gassen af. Voorkom vonken, open vuur en roken vlakbij accu's.**

**Bij het aansluiten of loskoppelen van de accu kunnen er vonken en kortsluiting ontstaan. Verbind de laadcontacten nooit met sleutels, munten, schroeven of andere metalen voorwerpen, omdat dit kortsluiting in de accu kan veroorzaken.**

**De accu geeft een explosief gas af. Vonken, vlammen en sigaretten mogen absoluut niet in de buurt van de accu komen.**

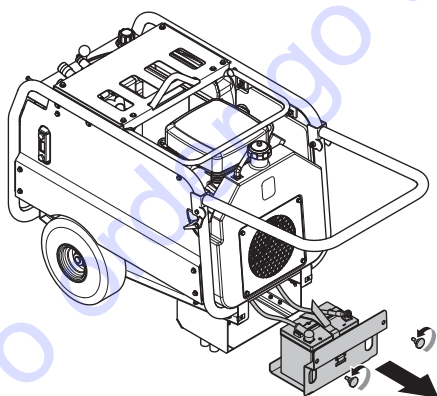
**Houd ongebruikte accu's uit de buurt van metalen voorwerpen zoals spijkers, munten en sieraden.**

**Verwijder metalen armbanden, horloges, ringen enz. voordat u de accu aansluit. Draag handschoenen en een veiligheidsbril of ademmasker als u aan de accu werkt.**

Sluit de accu als volgt aan.

De accu is in de steunvoet van het hydraulische aggregaat geplaatst.

- 1 Draai de twee knoppen aan de voorkant van de steunvoet los. Trek de accu eruit met behulp van de twee gaten in de voorkant. Zo kunt u goed bij de accu en de kabels.



- 2 Sluit altijd eerst de RODE (+) kabel op de positieve (+) accuklem aan. Bevestig de kabel met de schroef en moer van 5/16" (sleutel van 13 mm of 1/2") op de klem.
- 3 Sluit de ZWARTE (-) aardingskabel op de negatieve (-) accuklem aan. Bevestig de kabel met de schroef en moer van 5/16" (sleutel van 13 mm of 1/2") op de klem.

# BRANDSTOF/OLIE HANTEREN

## Algemeen



**WAARSCHUWING!** Neem de volgende stappen om de kans op persoonlijk letsel en schade aan eigendommen te verkleinen.

Wees voorzichtig bij het hanteren van brandstof. Denk aan de brand-, explosie- en inademingsrisico's.

Vul brandstof niet bij in de buurt van vonken of open vlammen. Rook niet.

Bewaar de brandstof alleen in jerrycans die voor dit doel zijn goedgekeurd.

Als de motor draait, mag de brandstofdop nooit worden verwijderd en mag de brandstoftank nooit worden bijgevuld. Stop de motor en laat hem voor het tanken enkele minuten afkoelen.

Vul nooit binnenshuis brandstof bij.

Bewaar en vervoer de machine en brandstof zo, dat eventuele lekkage en dampen niet in contact kunnen komen met vonken of open vuur, bijvoorbeeld van elektrische machines, elektrische motoren, stopcontacten/schakelaars, verwarmingsketels e.d.

Vul jerrycans nooit in een voertuig. Plaats de jerrycan voor het vullen altijd op de grond en uit de buurt van uw voertuig.

Verwijder de machine van het voertuig en vul de brandstof bij op de grond. Als dit niet mogelijk is, moet u de brandstof van de apparatuur bijvullen met behulp van een draagbare jerrycan in plaats van met een benzinevulpistool.



**WAARSCHUWING!** Raak met het tankpistool de rand van de brandstoftank of de opening van de container aan totdat u klaar bent met tanken. Gebruik geen tankpistool dat in een geopende stand kan worden vergrendeld.

Indien u brandstof of motorolie op uzelf of uw kleding hebt gemorst. Vervang uw kleding.

Voorkom overvulling. Indien u brandstof of motorolie op de machine hebt gemorst. Droog alles af en laat de benzineresten verdampen. Draai de dop van de tank goed vast na het tanken.

N.B.! Ga om rekening te houden met het milieu zorgvuldig om met olie, oliefilter, brandstof en accu. Volg de lokale recyclingbepalingen.

## Brandstof

De werking van de motor van Briggs & Stratton wordt gegarandeerd bij het gebruik van loodvrije benzine met een octaangehalte van 86 of meer, zoals bepaald door het 'Pump Octane Number' (M+R), of 91 of meer, zoals bepaald door het 'Research Octane Number' (RON). Vul brandstof bij in een goed geventileerde ruimte met de motor uitgeschakeld.

Er kan normale loodvrije benzine met maximaal 10% ethanol (E10) worden gebruikt. Gebruik geen benzine, die methanol bevat.

Als er brandstof wordt gebruikt met een ethanolgehalte van meer dan 10% (E10) kunnen er problemen bij het starten en/of bedienen van de eenheid zijn. Daarnaast kan er schade aan metalen, rubberen en kunststof onderdelen in het brandstofsysteem ontstaan en kan er brandgevaar zijn.

Gebruik geen brandstof die ouder is dan 30 dagen. Oude brandstof kan de werking verstoren en schade aan het brandstofsysteem veroorzaken.

**De motor werkt niet op brandstof die wordt verkocht als E85 (85% ethanol).**

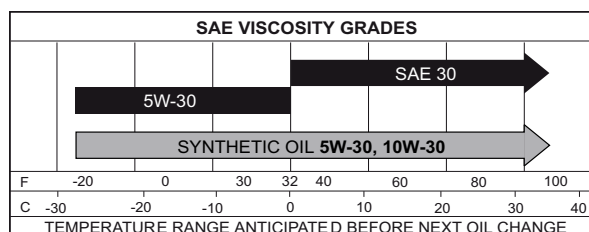
## Motorolie

### Aanbevolen olie

De motor heeft een inhoud van ongeveer 1,4 l (1-1/2 qt/48 oz) olie als de olie wordt verversd en het oliefilter wordt vervangen.

- Gebruik hoogwaardige reinigende olie die is geclassificeerd als 'For Service SF, SG, SH, SJ' of hoger.
- Briggs & Stratton raadt u ten sterkste aan om synthetische olie te gebruiken.
- Gebruik geen specifieke olieadditieven.
- Kies de viscositeit aan de hand van de onderstaande tabel.

Als er synthetische olie wordt gebruikt, blijven de intervallen voor olieerversing hetzelfde. Raadpleeg de meegeleverde gebruikershandleiding van Briggs & Stratton voor meer informatie over olie.



## Hydraulische olie

Alle hoogwaardige hydraulische olie met een viscositeitsindex van ISO 46 (46 cSt) kan worden gebruikt.

U kunt ook zogenoemde 'biologisch afbreekbare' hoogwaardige hydraulische olie gebruiken als deze een viscositeitsindex vergelijkbaar met ISO 46 heeft.

N.B.! Bij biologisch afbreekbare hydraulische olie kunnen andere onderhoudsintervallen gelden dan voor traditionele olie op minerale basis.

Raadpleeg en houd u aan de aanbevelingen van de leverancier met betrekking tot de levensduur van de olie.

Het hydraulische systeem kan ook worden gebruikt met sommige oliën van voedselkwaliteit, bij bepaalde toepassingen. Neem bij vragen contact op met Husqvarna Construction Products.

## Veiligheidsuitrusting

### Algemeen

Gebruik de machine nooit zonder de mogelijkheid hulp in te roepen in geval van nood.

### Persoonlijke veiligheidsuitrusting

Bij al het gebruik van de machine moet goedgekeurde persoonlijke beschermingsuitrusting gebruikt worden. Persoonlijke beschermingsuitrusting elimineert de risico's niet, maar vermindert het schadelijk effect in geval van een ongeval. Vraag uw dealer om raad wanneer u uw uitrusting koopt.



**WAARSCHUWING!** Het gebruik van producten die materiaal snijden, schuren, boren, polijsten of vormen, kan stof en dampen genereren die schadelijke chemicaliën kunnen bevatten. Zoek uit hoe het materiaal waarmee u werkt is samengesteld en draag een geschikt stofmasker.



**WAARSCHUWING!** Langdurige blootstelling aan lawaai kan leiden tot permanente gehoorbeschadiging. Gebruik daarom altijd goedgekeurde gehoorbescherming. Wees altijd bedacht op waarschuwingssignalen of geroep wanneer u gehoorbescherming gebruikt. Doe de gehoorbescherming altijd af zodra de motor is gestopt.



**WAARSCHUWING!** Het risico van beknelling is altijd aanwezig bij het werken met producten met beweegbare onderdelen. Gebruik veiligheidshandschoenen om lichamelijk letsel te voorkomen.

Draag altijd:

- Veiligheidshelm
- Gehoorbeschermers
- Veiligheidsbril of vizier
- Stofmasker
- Sterke, gripvaste handschoenen.
- Nauwsluitende, sterke en prettige kleding die volledige bewegingsvrijheid toelaat.
- Laarzen met stalen neus en anti-slip zool.

Let erop dat kleding, lang haar en sieraden in de bewegende delen vast kunnen raken.

## Andere beschermingsuitrusting



**WAARSCHUWING!** Tijdens het werken met de machine kunnen vonken ontstaan en brand veroorzaken. Houd daarom altijd brandblusapparatuur bij de hand.

- Brandblusapparatuur
- U moet altijd een EHBO-kit bij de hand hebben.

## Algemene veiligheidsinstructies



**WAARSCHUWING!** Lees alle veiligheidswaarschuwingen en instructies door. Het negeren van waarschuwingen en instructies kan elektrische schokken, brand en/of ernstig letsel tot gevolg hebben.

In dit hoofdstuk worden de basisveiligheidsregels voor het gebruik van de machine behandeld. De gegeven informatie kan nooit de kennis vervangen die een vakman via opleidingen en praktische ervaring heeft verworven.

- Neem de gebruiksaanwijzing grondig door en gebruik de machine niet voor u alles duidelijk heeft begrepen.
- Denk erom dat de operator verantwoordelijk is voor ongelukken of beschadigingen van andere mensen of hun eigendommen.
- Alle operators moeten worden opgeleid in het gebruik van de machine. De eigenaar is ervoor verantwoordelijk dat de operators een opleiding krijgen.
- Houd de machine schoon. Aanduidingen en stickers moeten volledig leesbaar zijn.



**WAARSCHUWING!** Wanneer de machine onjuist of slordig wordt gebruikt, kan het een gevaarlijk gereedschap zijn, dat ernstig letsel of overlijden van de gebruiker of anderen kan veroorzaken.

Laat kinderen of andere personen die niet zijn opgeleid om met de machine om te gaan, deze nooit gebruiken of onderhouden. Laat nooit een ander de machine gebruiken zonder u ervan te verzekeren dat ze de inhoud van de gebruiksaanwijzing hebben begrepen.

Gebruik de machine nooit als u moe bent, alcohol heeft gedronken of medicijnen heeft ingenomen, die uw gezichtsvermogen, beoordelingsvermogen of coördinatievermogen kunnen beïnvloeden.

# BEDIENING



**WAARSCHUWING!** Niet goedgekeurde wijzigingen en/of niet-originele onderdelen kunnen tot ernstige verwondingen of het overlijden van zowel gebruiker of anderen leiden.

Wijzig deze machine nooit zo dat hij niet langer overeenstemt met de originele uitvoering, en gebruik de machine niet als u denkt dat anderen hem hebben gewijzigd.

Gebruik nooit een machine die defect is. Voer de in deze handleiding beschreven veiligheidscontroles en de onderhouds- en service-instructies uit. Bepaalde onderhouds- en servicemaatregelen moeten door opgeleide en gekwalificeerde specialisten worden uitgevoerd. Zie de instructies in het hoofdstuk Onderhoud.

Men moet altijd originele onderdelen gebruiken.

## Gebruik altijd uw gezond verstand

Het is niet mogelijk om elke mogelijke situatie te vermelden. Wees altijd voorzichtig en gebruik uw gezond verstand. Als u in een situatie belandt waarin u zich niet veilig voelt, dient u een expert te raadplegen. Wend u tot uw dealer, uw servicewerkplaats of een ervaren gebruiker. Onderneem geen werkzaamheden waarvoor u zich onvoldoende gekwalificeerd acht!

## Werkveiligheid

### Veiligheid op de werkplek

- **Zorg ervoor dat de werkplek schoon en goed verlicht is.** Rommelige of donkere werkplekken werken ongelukken in de hand.
- Controleer altijd of er gasleidingen lopen en markeer ze. Vlakbij gasleidingen zagen vormt altijd een gevaar. Zorg ervoor dat bij het zagen geen vonken optreden, omdat een zeker risico van explosie bestaat. Wees geconcentreerd en op uw taak gericht. Onvoorzichtigheid kan leiden tot ernstig persoonlijk letsel of dodelijke ongevallen.
- Gebruik de machine niet in een omgeving waar ontploffingsgevaar bestaat.
- Verzekert u ervan dat zich in het werkstuk of in het werkgebied geen leidingen of elektrische kabels bevinden.
- Controleer of de elektrische leidingen binnen het werkgebied stroomloos zijn.
- Houd uw omgeving in de gaten om ervoor te zorgen dat u de macht over de machine niet verliest door onverwachte gebeurtenissen.
- Gebruik de motorkettingzaag niet in ongunstige weersomstandigheden. B.v. bij dichte mist, hevige regen, harde wind, hevige koude enz. Werken in slechte weersomstandigheden is vermoeiend en kan tot gevaarlijke situaties leiden, zoals een gladde ondergrond.
- Gebruik de machine niet in een natte of vochtige omgeving, in de buurt van water, in de regen of sneeuw.
- Begin nooit met de machine te werken voordat het werkterrein ontruimd is en u stevig staat.



**WAARSCHUWING!** Reinig de machine niet met water, want water kan binnendringen in het elektrische systeem of de motor en kan schade of kortsluitingen in de machine veroorzaken.

## Persoonlijke veiligheid

- Gebruik de machine nooit als u moe bent, alcohol heeft gedronken of medicijnen heeft ingenomen, die uw gezichtsvermogen, beoordelingsvermogen of coördinatievermogen kunnen beïnvloeden.
- Voorkom een onbedoelde start. Zorg dat de contactschakelaar in de stoppositie staat en dat de toevoerregeling in stand 0 staat.
- Laat de machine nooit zonder toezicht met draaiende motor achter.
- Werk nooit alleen, maar zorg dat er iemand in de buurt is. U kunt dan niet alleen hulp krijgen bij het monteren van de machine, maar ook wanneer een ongeval zou plaatsvinden.
- Mensen en dieren kunnen u afleiden waardoor u de controle over de machine verliest. Wees daarom altijd geconcentreerd en op uw taak gericht.

## Gebruik en onderhoud

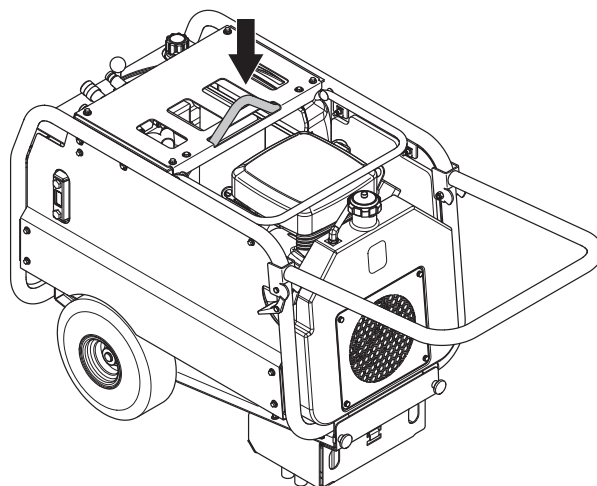
- De machine is bedoeld voor gebruik in industriële toepassingen door ervaren operators.
- Controle en/of onderhoud moeten worden uitgevoerd als de motor uit staat.
- Overbelast de machine niet. Overbelasting kan beschadiging van de machine veroorzaken.
- Zet de machine altijd uit voor u hem verplaatst.
- Wees voorzichtig met tillen. U gaat om met zware delen, wat risico van beknelling en ander letsel inhoudt.
- Stel de machine niet bloot aan temperaturen boven 45 °C of aan direct zonlicht.
- Controleer of alle koppelstukken, aansluitingen en kabels intact en schoon zijn.
- Hou alle onderdelen in werkzame staat en zorg ervoor dat alle bevestigingen goed zijn vastgedraaid.

## Transport

De veiligste manier om het hydraulische aggregaat van een aanhanger naar het werkgebied over te brengen is door het hijsorg te gebruiken. Bevestig nooit hijsvoorzieningen aan andere delen van de machine. Andere onderdelen kunnen het volledige gewicht van het hydraulische aggregaat niet dragen.



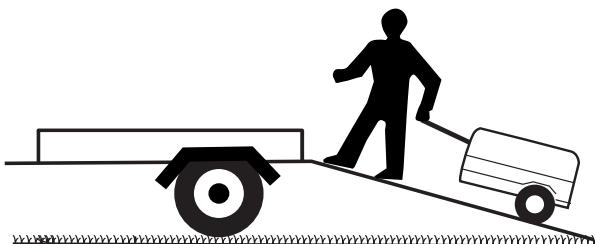
**BELANGRIJK!** Gebruik uitsluitend het hijsorg bij het ophijzen van het hydraulische aggregaat.





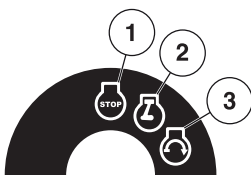
# BEDIENING

Zorg dat er niemand onder het hydraulische aggregaat staat als het met de hand op of van een aanhanger of omhoog of omlaag op een helling moet worden verplaatst.



## Bedieningsfuncties

### Ontstekingsslot



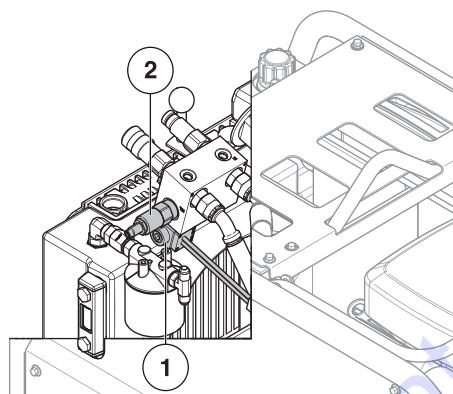
- 1 Stoppositie, geen voeding naar de elektrische voorzieningen.
- 2 Bedrijfspositie voor het hydraulische aggregaat. Let op: de timer registreert de tijd, ook als de motor niet draait. Als de sleutel in de bedrijfspositie blijft staan, loopt de accu ook sneller leeg.
- 3 Startpositie, de motor is gestart.

### Toevoerregeling (olie)

- Pas de olietoevoer aan door de toevoerschakelaar in te drukken en naar links te duwen voor de gewenste olietoevoer. Raadpleeg voor de toevoervereisten van gereedschap de gebruikershandleiding van het gereedschap. Gebruik nooit een instelling voor de olietoevoer die hoger is dan de aanbevolen waarde.
- Als de werkzaamheden zijn voltooid, moet de toevoerschakelaar altijd weer in positie 0 worden gezet voordat de motor wordt uitgeschakeld.
- De motor moet altijd worden gestart met de toevoerschakelaar in positie 0. Zo kan de elektrische startmotor de motor ronddraaien.

Dit hydraulische aggregaat kan een olietoevoer van 40 liter (10 gallon) per minuut produceren. De fabrieksinstelling voor de drukontlastingsklep is een openingsdruk van 148 bar (2.150 psi).

## De automatische gashendel



- 1 Klep voor overtollige toevoer (niet aanpassen)
- 2 Verstelbare druksensorklep voor vol gas of stationair

De automatische gashendelfunctie wordt geactiveerd via een instelbare druksensor voor stationair en vol gas in het hydraulische blok.

Het instellen van de instelbare druksensor voor stationair en vol gas voor de automatische gashendel heeft geen invloed op de instelling van de klep voor overtollige toevoer (= maximale systeemdruk). Het neemt alleen de systeemdruk waar en geeft aan de motor door dat de motor stationair of met vol gas moet draaien. De klep voor overtollige toevoer mag niet worden afgesteld.

Als het gereedschap is ingeschakeld, neemt de oliedruk snel toe tot meer dan 50 bar (700 psi). Dit zorgt normaal gesproken dat de functie voor de automatische gashendel de gashendel op vol vermogen zet. We raden u aan de motor vol gas te laten draaien voordat het gereedschap wordt ingeschakeld.

Bij sommige toepassingen kan de gashendel van het hydraulische systeem te laag worden ingesteld. De motor kan dan continu stationair draaien, ook nadat het gereedschap is aangesloten en er vol vermogen nodig is.

Door de circulatie van de olie door de slangen ontstaat er een lage druk, de zogenoemde tegendruk, bij de instelbare druksensorklep.

De tegendruk in het systeem kan om verschillende redenen variëren, bijvoorbeeld:

- Koude hydraulische olie
- De lengte van de slangen; bij een langere slang ontstaat er een hogere tegendruk.
- De klep in het hydraulische gereedschap kan de toevoer ook aanzienlijk verlagen.

Als de toevoerschakelaar is ingesteld op 40 liter (10 gallon), circuleert deze hoeveelheid olie door de slangen, door het gereedschap en terug naar de tank.

# BEDIENING

## Afstelling

Bij de PP518 kan de druk waarbij de gasklep reageert worden afgesteld voor de juiste werking van een specifiek gereedschap en specifieke omstandigheden.

- 1 Sluit de slangen en het gereedschap aan.
- 2 Stel de schakelaar voor de automatische gashendel in op positie 1.
- 3 Stel de toevoerschakelaar in op een geschikte instelling voor het gereedschap.

**N.B.!** Als de olie koud is, zorgt de tegendruk in het systeem dat de functie voor vol gas wordt geactiveerd.

- 4 Laat de hydraulische olie 1 tot 2 minuten opwarmen. U kunt nu beginnen met werken. De hydraulische olie bereikt na 5 tot 10 minuten een stabiele bedrijfstemperatuur.
- 5 Als de machine 10 minuten draait en de automatische gashendelfunctie niet goed werkt, kan de drempelwaarde tussen stationair en vol gas worden afgesteld.
- 6 Stel de druk in de druksensor van de gashendel af met een zeskantsleutel van 8 mm of 5/16".

Als de motor van het hydraulische aggregaat nog op vol gas staat zonder dat het gereedschap is ingeschakeld en de hydraulische olie heet is. Draai de afstelschroef een 1/8e slag met de wijzers van de klok mee totdat de motor goed werkt.

Als de motor van de hydraulische eenheid nog altijd stationair draait terwijl het gereedschap is ingeschakeld en goed werkt, maar de olie koud is. Draai de afstelschroeven 1/8e slag per keer tegen de klok in totdat de motor juist werkt.

## Hydraulische slangen en koppelingen

De PP518 is voorzien van een slang met een lengte van 7,5 m (25 ft) en een binnendiameter van 12,7 mm (1/2 in). Er kan ÉÉN extra slang van een halve inch en 10 m (33 ft) lang worden gemonteerd (18-20 m/60-65 ft in totaal). Als u een langere slang nodig hebt voor uw toepassing, dan raden we aan:

Maximale slangverlenging – tot een totale lengte van 40 m (130 ft).

- Gebruik de slang van 7,5 m (25 ft) lang die bij de voedingseenheid wordt geleverd.
- Sluit twee verlengslangen van 16 meter (53 ft) met een diameter van minimaal 16 mm (5/8 in) aan.

Er kan ook een slang van 32 meter (100 ft.) worden gebruikt, maar die is lastig in gebruik.

We raden u ten sterkste aan om HTMA 'Flat Face' compatibele hydraulische koppelingen te gebruiken.



**BELANGRIJK!** De hydraulische slangen en koppelingen moeten een nominale drukcapaciteit van 140 bar (2.000 psi) met een veiligheidsfactor van 4 tot 1 hebben.

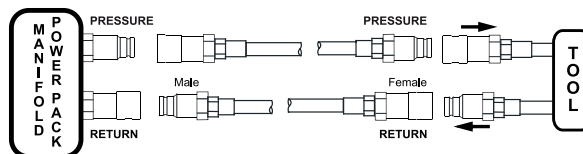
**N.B.!** De richting van de toevoer door het systeem is altijd vanaf de mannetjeskoppeling naar de vrouwtjeskoppeling. Dit betekent dat alle verlengslangen op dezelfde manier moeten worden gemonteerd. Als er een mannetjeskoppeling op een slanguiteinde zit, moet er altijd een vrouwtjeskoppeling aan het andere uiteinde zitten. Gebruik nooit twee dezelfde soorten koppelingen op een enkele slang.



**BELANGRIJK!** De hydraulische olie en dus de slangen en hydraulische koppelingen kunnen heet worden bij normaal gebruik.

Een hydraulische koppeling wordt op een temperatuur van 50 °C (120 °F) bij aanraking als HEET ervaren. Het is normaal dat de olietemperatuur in het hydraulische aggregaat een temperatuur van 70 °C (158 °F) bereikt als het op een zeer hete dag met omgevingstemperaturen van meer dan 40 °C (104 °F) wordt gebruikt.

Ter vergelijking: de motor van een auto werkt meestal op een temperatuur van 90 °C (195 °F).



# STARTEN EN STOPPEN

## Voor de start



**WAARSCHUWING!** Neem de gebruiksaanwijzing grondig door en gebruik de machine niet voor u alles duidelijk heeft begrepen.

Draag altijd persoonlijke veiligheidsuitrusting. Zie instructies in het hoofdstuk "Persoonlijke veiligheidsuitrusting".

Zorg ervoor dat zich geen onbevoegden binnen het werkgebied bevinden, anders bestaat er risico voor ernstige verwondingen.

Controleer of de machine correct is gemonteerd en er geen zichtbare beschadigingen zijn.

Zie de instructies onder Montage en instellingen.

- Voer dagelijks onderhoud uit. Zie de instructies in het hoofdstuk Onderhoud.



**WAARSCHUWING!** De motor stoot koolmonoxide uit, een kleurloos en giftig gas. Gebruik de machine niet in afgesloten ruimtes.

## De eerste keer starten

Als de voedingseenheid wordt geleverd zonder hydraulische olie in de tank en slangen, dan moeten de oliepeilen zorgvuldig worden gecontroleerd voordat de eenheid voor het eerst wordt gebruikt.

Voor een nieuwe set lege hydraulische slangen is ongeveer 1,8 l (2 qt) olie nodig.

Als de voedingseenheid voor het eerst is gestart en de toevoerschakelaar is ingesteld op de juiste afstelling vullen de hydraulische slangen zich met olie. Voordat de machine wordt gebruikt, moet het peil in de hydraulische-olietank worden gecontroleerd.

Stop indien nodig de motor en vul hydraulische olie bij.

## Controle voor het starten

Controleer het volgende voordat u het hydraulische aggregaat start:

- Of de accu opgeladen en goed gemonteerd is.
- Of de banden goed zijn opgeblazen.
- Of het motoroliepeil juist is.
- Of de brandstoftank is gevuld met verse, schone en loodvrije normale benzine.
- Of de hydraulische-olietank is bijgevuld tot het juiste peil.
- Of u bekend bent met de locatie en functie van de bedieningselementen. Test ze voordat u de motor start.
- Of u de hydraulische slangen op het hydraulische aggregaat hebt aangesloten en de andere uiteinden op een hydraulisch gereedschap of op elkaar.
- Zet de toevoerschakelaar altijd in positie 0 voordat u start.



**BELANGRIJK!** Controleer de verschillende onderdelen en componenten in het hydraulische aggregaat altijd voordat het wordt gebruikt. Let vooral op benzine- of olie lekkage.

## Starten

Start de motor altijd met de toevoerschakelaar in positie 0 en de gashendel in positie 1.

Met de schakelaar voor de gashendel kunt u twee standen voor de gashendel selecteren.

De schakelaar voor de automatische gashendel kan op 1 of 0 worden ingesteld.

- De schakelaar van de automatische gashendel in stand 0.

Als u de machine met de hendel in stand 0 bedient, draait de motor op volle toeren, 2.600 tot 2.700 tpm (belast) en ongeveer 2.800 tpm (onbelast).

- De schakelaar van de automatische gashendel in positie 1.

Na het starten is het stationair toerental van de motor ongeveer 1.900 tpm.

Als het gereedschap is ingeschakeld, laat een drukschakelaar op de voedingseenheid de motorsnelheid stijgen tot het maximum.

Als het gereedschap is uitgeschakeld, daalt het motortoerental tot 1.900 tpm.

De gevoeligheid van het controlesysteem voor de automatische gashendel kan worden aangepast ter compensatie van verschillende omstandigheden, zoals een hogere tegendruk als de slangverlengingen zijn aangesloten, een bediening bij lagere temperaturen of verschillen in de olieviscositeit.

Zie de instructies onder Fijnafstelling.

- 1 **Bij koude motor:** Trek de chokhendel helemaal uit.
- 2 Draai de contactsleutel naar de startstand.
- 3 Als de motor start, laat dan de contactsleutel meteen los zodat de sleutel terug naar de bedrijfspositie gaat. Duw de choke in als u die bij het starten hebt gebruikt.
- 4 Laat de motor 1 tot 2 minuten warmdraaien. Zet de toevoerschakelaar op de gewenste instelling. De hydraulische olie kan dan van de pomp door de slangen naar het gereedschap stromen.

Bij koud weer raden wij u aan vóór gebruik van het gereedschap het hydraulische aggregaat olie door de slangen en het gereedschap te laten pompen, zodat de olie een temperatuur van minstens 10 °C (50 °F) heeft bereikt. Op die manier werkt de schakelaar voor de automatische gashendel goed.

Zie de instructies onder Fijnafstelling.

# STARTEN EN STOPPEN

## Starten van een motor met een zwakke accu

Als de accu zo leeg is dat de motor niet kan worden gestart, moet de accu worden opgeladen of vervangen.

Bij het gebruik van startkabels voor een noodstart, volgt u onderstaande procedure:



**BELANGRIJK!** Uw hydraulische aggregaat is voorzien van een 12 volt-systeem met negatieve aarding. Het andere voertuig moet ook een 12 volt-systeem met negatieve aarding hebben. Gebruik de accu van uw eenheid niet om andere voertuigen te starten.

## Aansluiten van startkabels

- 1 Sluit ieder eind van de rode kabel aan op de POSITIEVE pool (+) van iedere accu, en let goed op dat u geen einde tegen het chassis kortsluit.
- 2 Sluit het ene uiteinde van de zwarte kabel aan op de NEGATIEVE pool (-) op de accu die vol is.
- 3 Sluit het andere uiteinde van de zwarte kabel aan op goede CHASSISAARDING, op ruime afstand van de brandstoftank en de accu.

## Verwijder de kabels in omgekeerde volgorde.

- 1 De ZWARTE kabel haalt u eerst los van het chassis en dan van de volle accu.
- 2 De RODE kabel haalt u als laatste van beide accu's.

## Stoppen

Draai de contactsleutel naar de stoppositie om het hydraulische aggregaat te stoppen.

# ONDERHOUD

## Algemeen

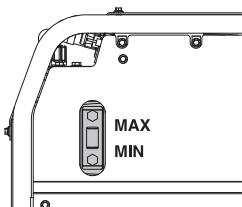


**WAARSCHUWING! De gebruiker mag alleen die onderhouds- en servicewerkzaamheden uitvoeren die in deze gebruiksaanwijzing worden beschreven. Meer ingrijpende maatregelen moeten door een erkende servicewerkplaats worden uitgevoerd.**

De levensduur van de machine kan worden verkort en het risico van ongelukken kan toenemen wanneer het onderhoud aan de machine niet op de juiste manier wordt uitgevoerd en wanneer service en/of reparaties niet vakkundig worden gedaan. Indien u meer informatie nodig heeft, verzoeken wij u contact op te nemen met de dichtstbijzijnde servicewerkplaats.

## Dagelijks onderhoud

- Controleer of de veiligheidsuitrusting van de machine intact is. Zie de instructies in het hoofdstuk "Veiligheidsuitrusting voor de machine".
- Maak altijd de complete apparatuur schoon aan het einde van de werkdag. Gebruik een zware handborstel of een grote verfkwast.
- Zorg dat u de stekkers en contacten schoonhoudt. Reinigen met een doek of borstel.
- Controleer of het hydraulische-oliepeil in het kijkvenster boven de onderste gespecificeerde limiet staat. Voeg indien nodig olie bij.



- Controleer of de hydraulische slangen niet lekken of verbogen zijn en of de koppelingen niet lekken.
- Controleer of er zich geen vuil in de oliekoeler heeft verzameld. Maak schoon met perslucht of met een tuinslang. Gebruik geen hogedrukspuit direct op de koeler.

**LET OP!** Gebruik geen hogedrukspuit om de machine te reinigen. De hogedrukstraal kan afdichtingen beschadigen waardoor water en vuil in de machine kunnen doordringen, met ernstige schade tot gevolg.

## Motor

Het oliepeil moet altijd worden gecontroleerd voordat de motor wordt gestart. Zorg dat het oliepeil altijd op de markering voor vol staat. Vul nooit te veel olie bij. Controleer het peil elke dag of na 8 bedrijfsuren.

**N.B.!** De motor heeft een inhoud van ongeveer 1,4 l (1-1/2 qt/48 oz) olie als de olie wordt verversen en het oliefilter wordt vervangen.

Het hydraulische aggregaat moet altijd op een vlakke ondergrond worden geplaatst bij het controleren of verversen van de olie.

Ververs de olie na de eerste 5 tot 8 bedrijfsuren. Daarna moet het verversen om de 50 bedrijfsuren plaatsvinden.

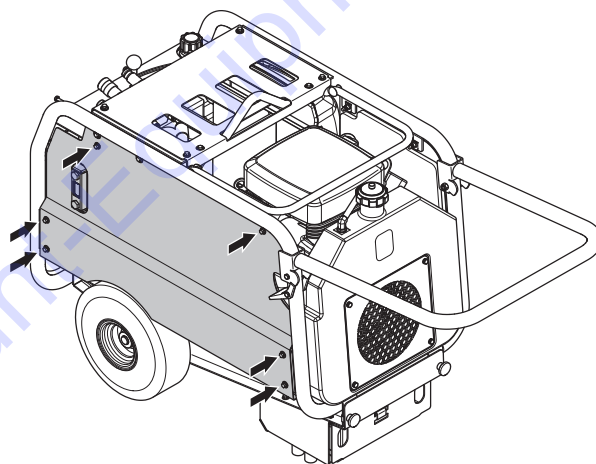
Het oliefilter moet om de 100 bedrijfsuren worden vervangen.

Zie de instructies onder Motorolie en Aanbevelingen voor olie en de instructies in de gebruikershandleiding van Briggs & Stratton.

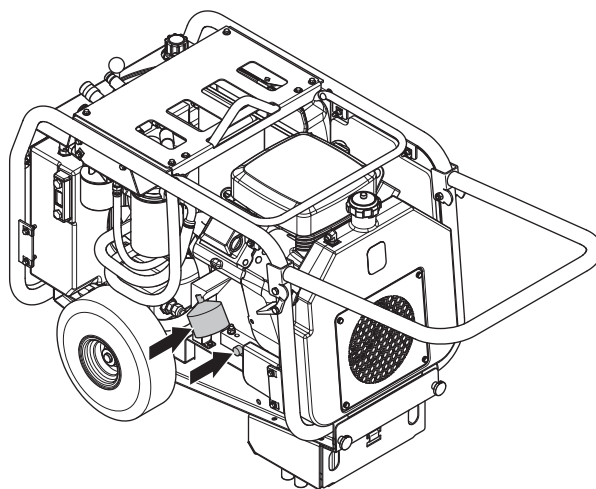
We raden u ten stelligste aan om alleen originele reserveonderdelen van Briggs & Stratton te gebruiken.

## Vervangen van motorolie

- 1 Met de motor uitgeschakeld, maar nog heet.
- 2 Draai de 6 schroeven los zoals hieronder wordt beschreven.



- 3 Verwijder het zijpaneel om bij de olieplug en het oliefilter te komen.



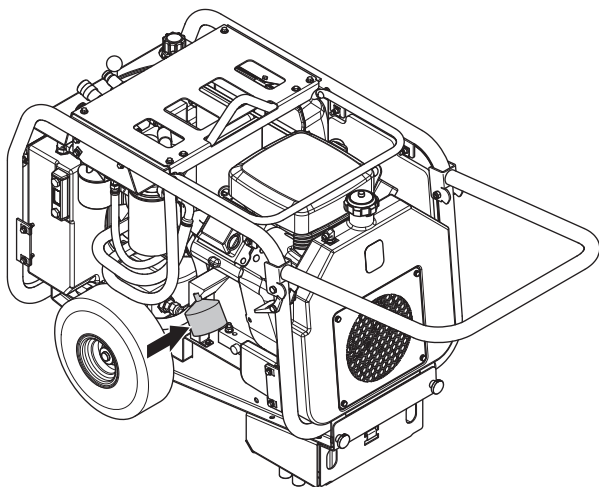
- 4 Tap de olie af in een geschikte container. Raadpleeg voor meer informatie de gebruikershandleiding van Briggs & Stratton.
- 5 Vul eerst 1 liter (1 quart) van een van de aanbevolen oliesoorten bij.
- 6 Start de motor en laat deze ca. 30 seconden stationair draaien.
- 7 Zet de motor uit. Controleer het oliepeil nog een keer en vul waar nodig olie bij. Normaal 0,3 tot 0,5 liter (12-15 oz).



# ONDERHOUD

## Vervangen van oliefilter

Volg voor toegang tot het motoroliefilter de instructies onder De motorolie ververset in hoofdstuk 1-4.



- 1 Verwijder het motoroliefilter.
- 2 Voordat het nieuwe filter wordt geplaatst, moet de pakking van het filter worden ingesmeerd met een laagje verse, schone olie.
- 3 Schroef het filter met de hand vast totdat de pakking de oliefilteradapter raakt.
- 4 Draai nog eens 1/2 tot 3/4 slag verder aan.

## Motoroliedruk

- Als de motoroliedruk lager wordt dan 0,1 tot 0,2 kg/cm (1-4 psi) schakelt een oliedrukschakelaar de motor uit.
- Als het motoroliepeil lager dan de markering op de peilstok staat, vul dan motorolie bij totdat het peil op de markering Full staat. Probeer de motor te starten.
- Als het probleem niet verdwijnt, neem dan contact op met een erkende Briggs & Stratton-servicewerkplaats.

## Luchtfilter

Als de motor zwak lijkt of onregelmatig loopt kan de oorzaak zijn dat het luchtfilter is verstopt. Controleer en onderhoud het luchtfilter bij elke olieversing, na elke 50 bedrijfsuren.

## Geluiddemper

Als de geluiddemper is gecorrodeerd of anders is beschadigd, moet deze worden vervangen, omdat hij anders brandgevaar kan opleveren en/of letsel kan veroorzaken.

## Brandstoffilter

Het brandstoffilter moet worden vervangen als het verstopt is en de toevoer van brandstof naar de carburator wordt geblokkeerd.

We raden u aan om het brandstoffilter elke 250 bedrijfsuren of één keer per seizoen te vervangen.

## Aanvullende motorinformatie

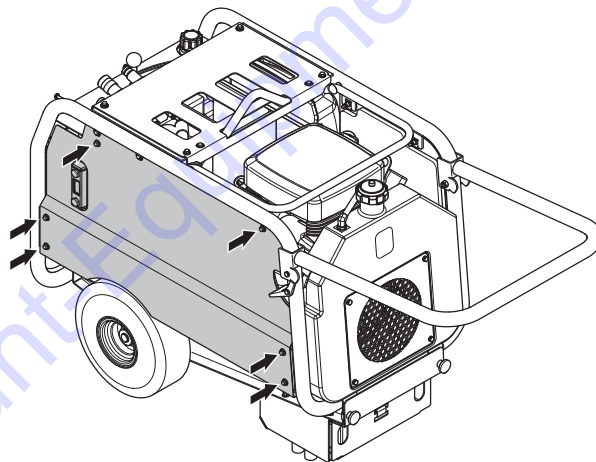
Raadpleeg de meegeleverde gebruikershandleiding van Briggs & Stratton voor meer informatie over het onderhoud aan de motor. In de handleiding staat ook informatie over specificaties, serviceonderdelen, garantie voor de motor, naleving van de emissiewetgeving enz.

## Hydraulisch systeem

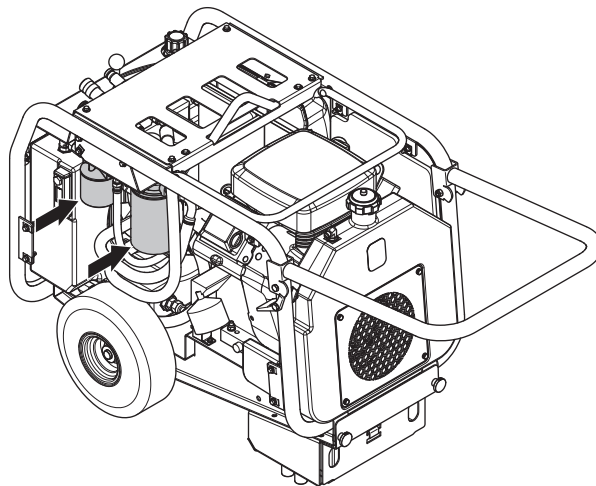
### De hydraulische olie en het hydraulische-oliefilter vervangen

Toegang tot het hydraulische-oliefilter.

- 1 Draai de 6 schroeven los zoals hieronder wordt beschreven.



- 2 Til het zijpaneel eraf.



- 3 Bevestig de slangen aan het hydraulische aggregaat en sluit de uiteinden van de slangen op elkaar aan.
- 4 Start de motor van het hydraulische aggregaat en zet de toevoerschakelaar in de positie voor 40 l (10 gal).
- 5 Laat de motor 5 minuten warmdraaien in deze toeverstand.
- 6 Schakel de motor uit en tap de hydraulische olie af in een geschikte container. De snelkoppelingen op de slangen moeten bij voorkeur worden verwijderd en de olie moet ook uit de slangen worden afgetapt.
- 7 Vervang het hydraulische-oliefilter.
- 8 Vul de tank met hydraulische olie.

## Accu

### Koppel de accu los.

- 1 Koppel altijd eerst de ZWARTE (-) aardingskabel los van de accu (sleutel van 13 mm of 1/2").
- 2 Ontkoppel daarna de RODE (+) kabel.

### De accu laden.

De enige veilige manier om een accu op te laden is door deze volledig uit het hydraulische aggregaat te verwijderen. Er kan een standaardlader met een laadvermogen van 12 V en 2 tot 10 A worden gebruikt. Volg alle instructies voor de lader voordat u deze op de accu aansluit.

Raadpleeg voor het aansluiten van de accu na het opladen de instructies onder De accu aansluiten.

## Service



**WAARSCHUWING!** Alle soorten reparaties mogen alleen worden uitgevoerd door erkende reparateurs. Dit om de operators niet aan grote risico's bloot te stellen.

# TECHNISCHE GEGEVENS

## PP518

### Afmetingen

Droog gewicht zonder slangen, kg/lb	127/280
Gewicht, met olie maar zonder benzine, kg/lb	135/298
Gewicht, slang van 1/2" x 7,5 m (25 ft), droog, kg/lb	8,5/19
Gewicht, slang van 1/2" x 7,5 m (25 ft) met olie, kg/lb	10/22
Lengte met handgreep ingeklapt, mm/inch	860/34
Lengte met handgreep uitgeklaapt, mm/inch	1300/51
Breedte, mm/inch	550/22
Hoogte	740/29
Hoogte met slang-/gereedschaphouder uitgeklaapt	920/36

### Motor

Briggs & Stratton, V-twin Vanguard 18 hp

Nominaal uitgangsvermogen motor, kW (zie opmerking 1)

10,4/14

Inhoud, motorolie, l/fl oz

1,4/48

Inhoud, brandstoftank, liter/gal

7,9/2,1

### Hydraulisch systeem

Hydraulisch systeem, gereedschap

Klep met open midden

Hydraulisch systeem, voedingseenheid

Gesloten lus

Pomptype

Zuigerpomp met variabele toevoer

Uitvoer, liter/min/gpm

20, 30, 40/5, 8, 10

Instelling voor de klep voor overtollige toevoer, bar/psi

148/2150

Nominale hydraulische druk, bar/psi

110/1595

Hoofdfilter (groot), micron

25

Pompfilter (klein), micron

25

Inhoud van olietank, liter/gal

10/2.6

Type olie

ISO 46

Oliekoeling

Luchtgekoelde perslucht

Voldoet aan koelvereisten van HTMA

### Lawaai-emissie (zie opm. 2)

Geluidsvermogen, gemeten dB(A)

100

Geluidsvermogen, gegarandeerd  $L_{WA}$  dB(A)

101

### Geluidsniveau (zie opm. 3)

Equivalent geluidsniveau bij oor van de gebruiker, dB(A)

92

### Elektrisch systeem

Types accu

Maat U1, 12 volt, waarde koude start 230

Zekering

10 A, vergelijkbaar met autozekering, geplaatst bij de startmotor

Opm. 1: Het aangegeven nominale vermogen van de motor heeft betrekking op het gemiddelde nettovermogen (bij het opgegeven toerental) van een typische productiemotor voor het betreffende motormodel, gemeten volgens de SAE-norm J1349/ISO 1585. In massa geproduceerde motoren kunnen een afwijkende waarde geven. Het werkelijk geleverde vermogen van de geïnstalleerde motor op de uiteindelijke machine hangt af van de bedrijfssnelheid, de omgevingscondities en andere waarden.

Opm. 2: Emissie van geluid naar de omgeving gemeten als geluidsvermogen ( $L_{WA}$ ) volgens EG-richtlijn 2000/14/EG. Het verschil tussen het gegarandeerde en het gemeten geluidsvermogen is dat het gegarandeerde geluidsvermogen ook de dispersie in het meetresultaat meeneemt alsmede variaties tussen verschillende machines van hetzelfde model, conform Richtlijn 2000/14/EG.

Opm. 3: Het equivalente geluidsdrukkniveau, volgens EN ISO 11203:2009, R=1m, wordt berekend als de tijdsgewogen energiesom van de geluidsdrukkniveaus onder verschillende werkomstandigheden. De gerapporteerde gegevens voor het equivalente geluidsdrukkniveau vertonen een typische statistische spreiding (standaardafwijking) van 1 dB (A).

# SYMBOLERKLÄRUNG

## Symbole am Gerät

WARNUNG! Das Gerät kann falsch oder nachlässig angewendet gefährlich sein und zu schweren oder gar lebensgefährlichen Verletzungen des Benutzers oder anderer Personen führen.



Lesen Sie die Bedienungsanleitung sorgfältig durch und machen Sie sich mit dem Inhalt vertraut, bevor Sie das Gerät benutzen.



Benutzen Sie immer:

- Einen zugelassenen Gehörschutz



Dieses Produkt stimmt mit den geltenden CE-Richtlinien überein.



Umweltbelastende Geräuschemissionen gemäß der Richtlinie der Europäischen Gemeinschaft. Die Emission des Gerätes ist im Kapitel Technische Daten und auf dem Geräteschild angegeben.



Der Schalldämpfer ist heiß und kann zu Verbrennungen führen und/oder Materialien entzünden. Sämtliche Körperteile von heißen Oberflächen fernhalten.



Hydrauliköltank



Zündschloss

Stopstellung,  
Betriebsstellung,  
Startstellung



Choke.



Kraftstofftank



WARNUNG!

Kraftstoff und Kraftstoffdämpfe sind leicht entzündlich. Beim Umgang mit Kraftstoff und Öl ist Vorsicht geboten. Denken Sie an die Brand- und Explosionsgefahr und an die Gefahr des Einatmens. Füllen Sie den Kraftstoff nicht in unmittelbarer Nähe von Funken oder offenen Flammen ein.

**Sonstige Symbole/Aufkleber am Gerät beziehen sich auf spezielle Zertifizierungsanforderungen, die in bestimmten Ländern gelten.**

## Erläuterung der Warnstufen

Es bestehen drei unterschiedliche Warnstufen.

### WARNUNG!



**WARNUNG! Nichtbeachtung der Anweisungen in diesem Handbuch kann zu Verletzungen bzw. zum Tod des Bedieners oder zu Beschädigungen in der Umgebung führen.**

### ACHTUNG!



**ACHTUNG! Nichtbeachtung der Anweisungen in diesem Handbuch kann zur Verletzung des Bedieners bzw. zu Beschädigungen in der Umgebung führen.**

### HINWEIS!

**HINWEIS! Nichtbeachtung der Anweisungen in diesem Handbuch kann zu Beschädigungen der Umgebung bzw. der Maschine führen.**

# INHALT

## Inhalt

### SYMBOLERKLÄRUNG

Symbole am Gerät .....	56
Erläuterung der Warnstufen .....	56

### INHALT

Inhalt .....	57
--------------	----

### VORSTELLUNG

Sehr geehrter Kunde! .....	58
Konstruktion und Funktionen .....	58

### WAS IST WAS?

Bezeichnungen der Hydraulikkomponenten .....	59
--	----

### MONTAGE UND EINSTELLUNGEN

Allgemeines .....	60
Einfüllen von Motoröl .....	60
Einfüllen von Hydrauliköl .....	60
Anschließen der Hydraulikschläuche .....	60
Reifendruck prüfen .....	60
Anschließen der Batterie .....	61

### UMGANG MIT KRAFTSTOFF UND ÖL

Allgemeines .....	62
Kraftstoff .....	62
Motoröl .....	62
Hydrauliköl .....	62

### BETRIEB

Schutzausrüstung .....	63
Allgemeine Sicherheitsvorschriften .....	63
Arbeitssicherheit .....	64
Steuerungsfunktionen .....	65
Die automatische Gassteuerung .....	65
Hydraulikschläuche und -kupplungen .....	66

### STARTEN UND STOPPEN

Vor dem Start .....	67
Erste Inbetriebnahme .....	67
Kontrolle vor dem Start .....	67
Starten .....	67
Stoppen .....	68

### WARTUNG

Allgemeines .....	69
Tägliche Wartung .....	69
Motor .....	69
Hydraulikanlage .....	70
Batterie .....	71
Service .....	71

### TECHNISCHE DATEN

PP518 .....	72
EG-Konformitätserklärung .....	73



## Sehr geehrter Kunde!

Vielen Dank, dass Sie sich für ein Produkt von Husqvarna entschieden haben.

Wir hoffen, dass Sie mit Ihrer Maschine über lange Jahre zufrieden sein werden. Mit dem Erwerb unserer Produkte erhalten Sie professionelle Hilfe bei Reparaturen und Service. Haben Sie das Gerät nicht bei einem unserer Vertragshändler gekauft, fragen Sie dort nach der nächsten Servicewerkstatt.

Diese Bedienungsanweisung ist ein wertvolles Dokument. Halten Sie die Bedienungsanweisung stets griffbereit. Die genaue Befolgung ihres Inhalts (Verwendung, Service, Wartung usw.) verlängert die Lebensdauer der Maschine erheblich und erhöht zudem ihren Wiederverkaufswert. Sollten Sie Ihre Maschine verkaufen, händigen Sie dem neuen Besitzer bitte auch die Bedienungsanleitung aus.

## Über 300 Jahre Innovationsgeschichte

Husqvarna ist ein schwedisches Unternehmen, dessen Geschichte bis ins Jahr 1689 zurückreicht, als König Karl XI eine Fabrik errichten ließ, in der Musketen gefertigt werden sollten. Damit wurden die Grundlagen einer erfolgreichen Firmengeschichte gelegt, in deren Verlauf bahnbrechende technische Neuerungen in Bereichen wie Waffensysteme, Fahr- und Motorräder, Haushaltgeräte, Nähmaschinen und Gartenprodukte auf den Markt gebracht werden konnten.

Husqvarna gilt als führender Anbieter von Geräten zur Garten- und Waldpflege sowie von Schneidaustrüstungen und Diamantwerkzeugen für die Bau- und Steinindustrie.

## Pflichten des Betreibers

Der Betreiber ist verpflichtet, nur entsprechend ausgebildete Personen mit der Bedienung der Maschine zu betrauen. Aufsichtspersonen und Bediener haben sämtliche Anweisungen in diesem Handbuch zur Kenntnis zu nehmen. Insbesondere ist auf Folgendes zu achten:

- Sicherheitshinweise
- Vorgesehene Anwendungsbereiche
- Nutzungs- und Wartungshinweise

Die Benutzung dieser Maschine könnte durch eine nationales Gesetz geregelt sein. Finden Sie heraus, welche Gesetze Anwendung finden, bevor Sie mit der Benutzung der Maschine beginnen.

## Vorbehaltsbestimmungen des Herstellers

Es ist möglich, dass Husqvarna nach der Veröffentlichung dieses Handbuchs weitere Informationen zum sicheren Betrieb dieses Produkts herausgibt. Der Betreiber ist verpflichtet, stets über die sichersten Betriebsverfahren informiert zu sein.

Die Husqvarna AB arbeitet ständig an der Weiterentwicklung ihrer Produkte und behält sich daher das Recht auf Änderungen ohne vorherige Ankündigung, z. B. von Form und Aussehen, vor.

## Konstruktion und Funktionen

Die Entwicklung von zuverlässigen und innovativen Hochleistungstechnologien und eine umweltfreundliche Produktfertigung sind die erklärten Ziele von Husqvarna. Ein sicherer Betrieb dieses Produkts setzt voraus, dass der Betreiber dieses Handbuch aufmerksam durchliest. Weitere Informationen erhalten Sie von Ihrem Händler oder Husqvarna.

Hier werden einige der Funktionen aufgeführt, die unseren Produkten das entscheidende Plus an Qualität verleihen.

## Hydraulikaggregat

Das Hydraulikaggregat PP518 verfügt über eine Hydraulikpumpe mit einstellbarer Durchflussgeschwindigkeit, die Hydraulikleistung effizienter als die allgemein verwendeten Zahnradkonstantpumpen erzielen kann.

Das Hydraulikaggregat PP518 eignet sich zum Betrieb von hydraulischen Werkzeugen mit den folgenden Spezifikationen:

Hydraulikventil:	„Ventil mit Umlaufstellung“
Förderstrombedarf:	20, 30 oder 40 l/min (5, 8 oder 10 gal/min)
Max. Druck:	140 bar (2000 psi) oder höher

Beispiele für hydraulische Werkzeuge von Husqvarna, die ohne Änderungen mit dem PP518 verwendet werden können:



**ACHTUNG!** Wenn ein Werkzeug eine Durchflussgeschwindigkeit von 20 l/min (5 gal/min) benötigt, DARF es NICHT mit einer höheren Einstellung, wie z. B. 30 oder 40 l/min (8 oder 10 gal/min), betrieben werden. Dies kann schwere Schäden am Werkzeug oder Verletzungen verursachen.

**Vor dem Anschließen eines Werkzeugs am Hydraulikaggregat immer beim Hersteller nachfragen.**

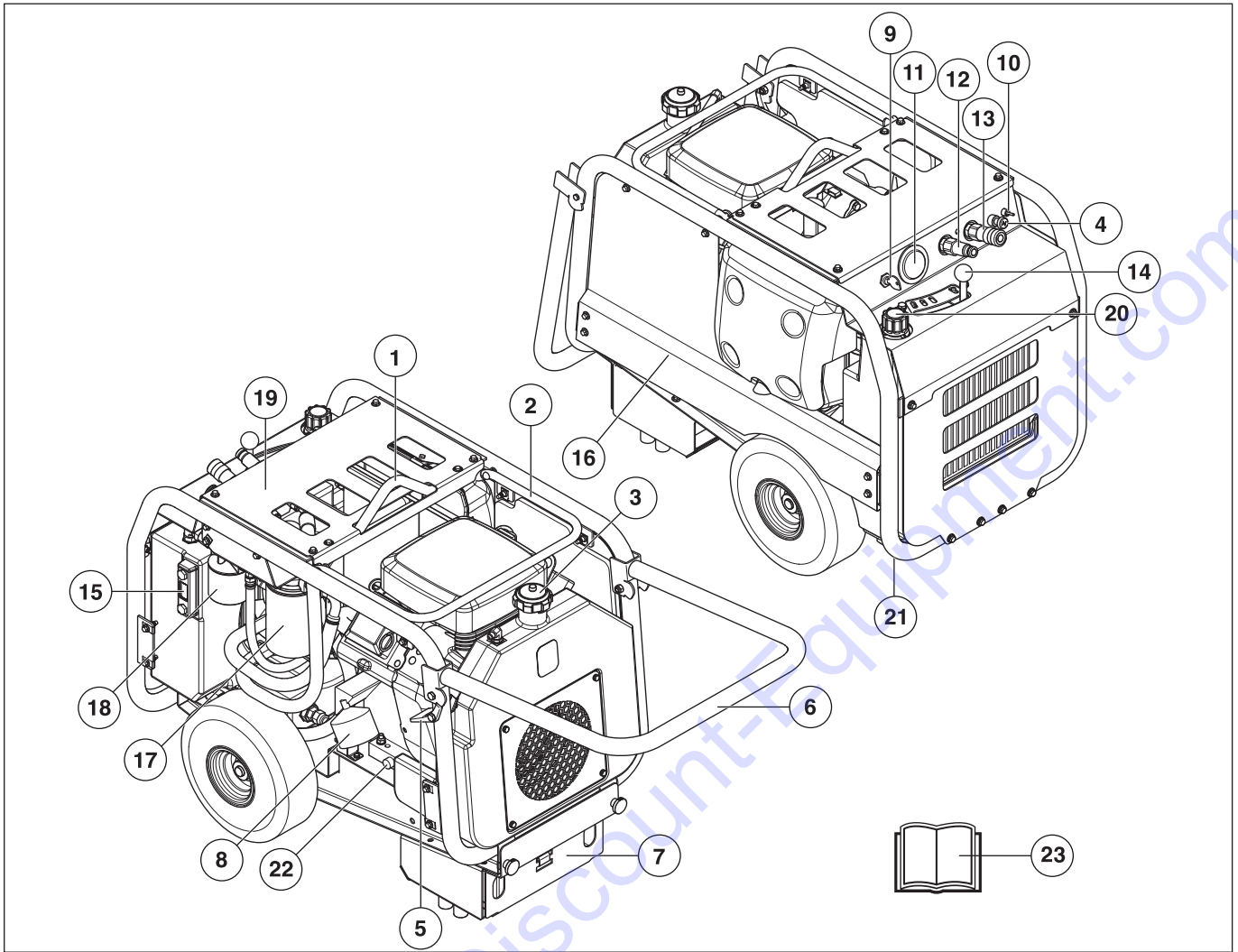
- Trennschleifer K2500 K3600
- Bohrmotor DM 406 H
- Wandsäge WS 325

## Andere verbreitete Werkzeuge:

- Hydraulische Kettensäge
- Hydraulische Wasserpumpe

**HINWEIS!** Darf nicht zusammen mit Hydraulikhämmern, Hydraulikbrechern oder Ausrüstung mit Hydraulikzylindern verwendet werden.

# WAS IST WAS?



## Bezeichnungen der Hydraulikkomponenten

- |    |                               |    |  |
|----|-------------------------------|----|--|
| 1  | Lifting eye                   | 13 | Rücklaufanschluss                                      |
| 2  | Halter für Hydraulikschläuche | 14 | Durchflussregler (Öl)                                  |
| 3  | Tankdeckel                    | 15 | Ölstandsanzeige  |
| 4  | Choke                         | 16 | Sicherung, 10 A  |
| 5  | Griffverriegelung             | 17 | Großer Hydraulikfilter                                 |
| 6  | Transportgriff                | 18 | Kleiner Hydraulikfilter                                |
| 7  | Batterie                      | 19 | Regelbares Drucksensorventil für Vollgas oder Leerlauf |
| 8  | Motorölfilter                 | 20 | Hydrauliköldeckel                                      |
| 9  | Zündschloss                   | 21 | Ölablassschraube für Hydrauliköl                       |
| 10 | Gassteuerungsschalter         | 22 | Ölablassschraube für Motoröl                           |
| 11 | Betriebsstundenzähler         | 23 | Bedienungsanweisung                                    |
| 12 | Druckanschluss                |    |  |

# MONTAGE UND EINSTELLUNGEN

## Allgemeines

**ACHTUNG!** Das Hydraulikaggregat PP518 muss vor dem Einsatz gewartet werden.

In bestimmten Verbrauchermärkten wird das Hydraulikaggregat eventuell bereits mit Motor- und Hydrauliköl befüllt geliefert.

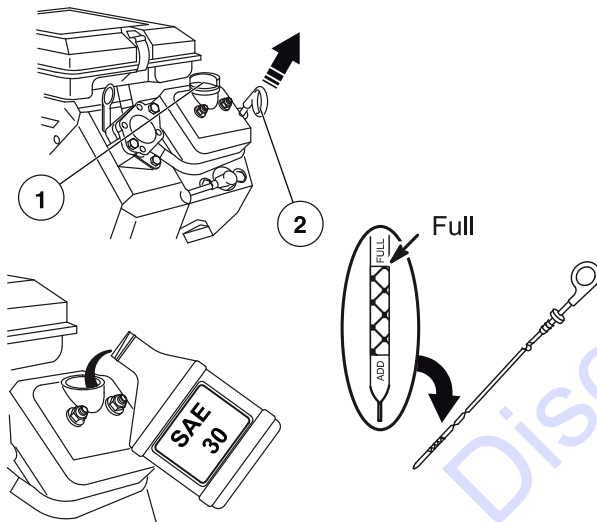
Die Transportverpackung vom Hydraulikaggregat entfernen und das Aggregat auf einer ebenen Fläche aufstellen.



**WICHTIG!** Zum Anheben des Hydraulikaggregats nur die Huböse verwenden.

## Einfüllen von Motoröl

Ölstand im Motor prüfen



1 Ölbefüllung

2 Messstab

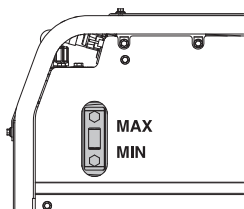
Wenn am Ölmesstab kein Öl zu erkennen ist, ist der Motor gemäß den Anweisungen im Abschnitt „Motoröl“ oder der Betriebsanleitung von Briggs & Stratton mit Öl zu befüllen.

## Einfüllen von Hydrauliköl

Den Hydrauliköltank füllen.

Nur ein hochwertiges Hydrauliköl wie z. B. ISO 46 verwenden. Siehe den Abschnitt „Hydrauliköl“ bzgl. Alternativen. Um den Tank zum ersten Mal zu füllen, ist eine Gesamtmenge von 10 l (2,6 gal) erforderlich. Der Ölstand muss nach dem Füllen die Mitte des Schauglases erreichen.

Nach dem ersten Probelauf muss der Ölstand erneut geprüft und ggf. nachreguliert werden.



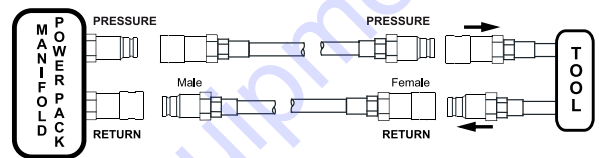
## Anschließen der Hydraulikschläuche

Die Kupplungen der Hydraulikschläuche vor dem Anschließen mit einem Tuch reinigen.

Die Hydraulikschläuche am Hydraulikaggregat anschließen. Die beiden Kupplungen an den freien Enden der Schläuche verbinden. Die Schläuche können nun mit Öl aus dem Tank befüllt werden.

**ACHTUNG!** Die Schläuche lassen sich mit beiden Enden am Hydraulikaggregat anschließen.

Wenn ein Schlauchsatz wie in dieser Abbildung angeschlossen wird, besteht immer volle Kompatibilität zwischen Aggregat, Schläuchen und Werkzeug.



Wenn die Hydraulikschläuche (7,5 m/25 Fuß) leer sind, müssen ca. weitere 1,8 l (2 qt) Öl in den Öltank gefüllt werden, nachdem das Aggregat zum ersten Mal betrieben wurde. Wenn ein zusätzlicher Schlauchsatz von 30 m (100 Fuß) mit einem Durchmesser von 5/8 Zoll verwendet wird, müssen ca. weitere 12 l (3,2 gal) Öl hinzugefügt werden.

Der Ölstand im Tank muss beim Füllen eines neuen Schlauchsatzes mehrmals geprüft werden.

## Reifendruck prüfen

Den Reifendruck prüfen. Die Reifen sind schlauchlos.

Bei zu niedrigem Reifendruck verliert der Reifen die gesamte Luft. Den Druck auf 2 bar (30 psi) einstellen.

# MONTAGE UND EINSTELLUNGEN

## Anschließen der Batterie

Die Batteriekabel sind bei Auslieferung des Hydraulikaggregats nicht angeschlossen.

Die Originalbatterie ist wartungsfrei. Nicht versuchen, Deckel oder Abdeckungen zu entfernen. Die Batterieflüssigkeit muss normalerweise nicht geprüft oder angepasst werden.

Die Batterie darf nur durch eine ähnliche wartungsfreie Batterie ersetzt werden (siehe die Informationen im Abschnitt „Technische Daten“).



**WARNING! In Bleisäurebatterien bilden sich explosive Gase. Funkenbildung, offenes Feuer und Rauchen in der Nähe der Batterien vermeiden.**

**Beim Anschließen oder Abklemmen der Batterie können Funken oder Kurzschlüsse auftreten. Die Batterie darf niemals mit Schlüsseln, Münzen, Schrauben oder anderen metallischen Gegenständen zusammengeschlossen werden, da dies zu einem Kurzschluss der Batterie führen kann.**

**Die Batterie gibt Knallgas ab. Funken, Flammen und Zigaretten niemals in Batterienähe bringen.**

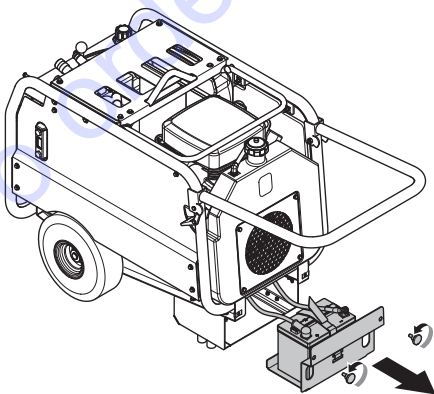
**Nicht gebrauchte Batterien müssen von metallischen Gegenständen, wie Nägeln, Münzen und Schmuck, ferngehalten werden.**

**Vor dem Anschließen der Batterie Metallarmbänder, Uhren, Ringe usw. abnehmen. Bei Arbeiten an der Batterie Handschuhe und eine Schutzbrille oder Schutzmaske tragen.**

Zum Anschließen der Batterie die folgenden Schritte befolgen.

Die Batterie befindet sich im Stützfuß des Hydraulikaggregats.

- 1 Die beiden Drehknöpfe an der Vorderseite des Stützfußes lösen. Die Batterie an den beiden Löchern an der Vorderseite des Batteriegehäuses herausziehen. Dadurch gelangt man ungehindert an die Batterie und die Kabel.



- 2 Immer zuerst das ROTE (+) Kabel an der positiven (+) Klemme der Batterie anschließen. Das Kabel mit der 5/16-Zoll-Schraube und -Mutter an der Klemme befestigen (13-mm- oder 1/2-Zoll-Schlüssel).

- 3 Das SCHWARZE (-) Massekabel an der negativen (-) Klemme der Batterie anschließen. Das Kabel mit der 5/16-Zoll-Schraube und -Mutter an der Klemme befestigen (13-mm- oder 1/2-Zoll-Schlüssel).

# UMGANG MIT KRAFTSTOFF UND ÖL

## Allgemeines



**WARNUNG!** Die folgenden Schritte durchführen, um die Gefahr von Verletzungen und Sachschäden zu verringern.

Beim Umgang mit Kraftstoff vorsichtig sein. Denken Sie an das Feuer- und Explosionsrisiko und an die Gefahr des Einatmens.

Füllen Sie den Kraftstoff nicht in unmittelbarer Nähe von Funken oder offenen Flammen ein. Nicht rauchen.

Den Kraftstoff nur in Behältern aufbewahren, die zu diesem Zweck zugelassen sind.

Solange der Motor läuft, darf niemals der Tankdeckel abgenommen oder Kraftstoff nachgefüllt werden. Den Motor abstellen und vor dem Tanken einige Minuten abkühlen lassen.

Nie im Haus tanken.

Das Gerät und den Kraftstoff so transportieren und aufbewahren, dass bei eventuellen Undichtigkeiten entweichende Dämpfe oder Kraftstoff nicht mit Funken oder offenem Feuer in Kontakt kommen können, z. B. von Elektrogeräten, Elektromotoren, elektrischen Kontakten/Schaltern oder Heizkesseln.

Füllen Sie Kanister niemals in einem Fahrzeug. Stellen Sie den Kanister zum Befüllen stets auf den Boden und vom Fahrzeug entfernt auf.

Nehmen Sie die Maschine aus dem Fahrzeug, und füllen Sie auf dem Boden Kraftstoff nach. Ist dies nicht möglich, füllen Sie Kraftstoff aus einem Kanister und nicht aus einer Zapfpistole nach.



**WARNUNG!** Das Zapfventil muss mit dem Rand der Öffnung am Kraftstofftank oder Behälter ständig in Berührung sein, bis der Tankvorgang beendet ist. Die Abschaltautomatik des Zapfventils darf nicht verwendet werden.

Wenn Sie Kraftstoff oder Motoröl über sich selbst oder Ihre Kleidung verschüttet haben: Kleidung wechseln.

Überfüllen vermeiden. Wenn Kraftstoff oder Motoröl auf die Maschine verschüttet wurde: Alles abwischen und restliches Benzin verdunsten lassen. Den Tankdeckel nach dem Tanken wieder sorgfältig zudrehen.

**ACHTUNG!** Aus Umweltschutzgründen ist mit Öl, Ölfilter, Kraftstoff und Batterie sorgsam umzugehen. Die örtlichen Recyclingvorschriften befolgen.

## Kraftstoff

Der Briggs & Stratton-Motor kann mit bleifreiem Benzin mit einer Oktanzahl von 86 (Pump Octane Number/M+R) oder höher oder einer Oktanzahl von 91 (Research Octane Number/RON) betrieben werden. In einem gut belüfteten Bereich bei ausgeschaltetem Motor auftanken.

Es kann bleifreies Normalbenzin mit höchstens 10 % Ethanol (E10) verwendet werden. Kein methanolhaltiges Benzin verwenden.

Die Verwendung von Benzin mit einem Ethanolgehalt von mehr als 10 % (E10) kann zu Problemen beim Starten und/oder beim Betrieb des Aggregats führen. Metall-, Gummi- und Kunststoffteile der Kraftstoffanlage könnten dadurch beschädigt werden und es könnte Brandgefahr bestehen.

Verwenden Sie keinen Kraftstoff, der älter als 30 Tage ist. Alter Kraftstoff kann zu Laufproblemen und zu Schäden am Kraftstoffsystem führen.

**Der Motor läuft nicht mit Benzin, das mit der Bezeichnung E-85 (85 % Ethanol) vermarktet wird.**

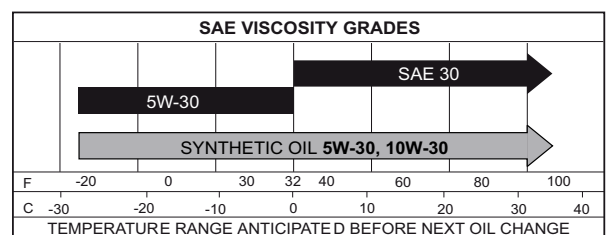
## Motoröl

### Empfohlenes Öl

Der Motor fasst ca. 1,4 l (1-1/2 qt/48 oz) Öl, wenn Öl und Ölfilter gewechselt werden.

- Ein hochwertiges Spülöl verwenden, das der Klassifizierung „SF, SG, SH, SJ“ oder höher entspricht.
- Briggs & Stratton legt die Verwendung von Synthetiköl nahe.
- Keine besonderen Ölzusätze verwenden.
- Öl mit einer Viskosität gemäß der nachfolgenden Tabelle verwenden.

Durch die Verwendung von Synthetiköl ändern sich die erforderlichen Ölwechselintervalle nicht. Ausführliche Informationen zu Motorölen sind in der mitgelieferten Betriebsanleitung von Briggs & Stratton enthalten.



## Hydrauliköl

Alle hochwertigen Hydrauliköle der Viskositätsklasse ISO 46 (46 cSt) können verwendet werden.

Hochwertige Hydrauliköle, die mit der Bezeichnung „Biologisch abbaubar“ vermarktet werden, können verwendet werden, wenn sie eine Viskosität gemäß ISO 46 aufweisen.

**ACHTUNG!** Biologisch abbaubare Hydrauliköle erfordern u. U. andere Wartungsintervalle als herkömmliche Mineralöle.

Die Empfehlungen des Ölherstellers bzgl. der Gebrauchsdauer des Öls sind einzuhalten.

Das Hydrauliksystem eignet sich auch für einige lebensmitteltaugliche Öle, die für bestimmte Anwendungen verwendet werden können. Lassen Sie sich diesbezüglich bitte von Husqvarna Construction Products beraten.



## Schutzausrüstung

### Allgemeines

Das Gerät niemals benutzen, wenn nicht die Möglichkeit besteht, im Falle eines Unfalls Hilfe herbeizurufen.

### Persönliche Schutzausrüstung

Bei der Benutzung des Gerätes muss die vorgeschriebene persönliche Schutzausrüstung angewendet werden. Die persönliche Schutzausrüstung beseitigt nicht die Unfallgefahr, begrenzt aber den Umfang der Verletzungen und Schäden. Bei der Wahl der Schutzausrüstung einen Fachhändler um Rat fragen.



**WARNUNG!** Bei der Nutzung von Produkten, die schneiden, schleifen, bohren, feine Schleifvorgänge ausführen oder Materialformen kann es zu einer Bildung von Staub und Dämpfen kommen, die schädliche chemische Substanzen enthalten. Informieren Sie sich über die Beschaffenheit des Materials, mit dem Sie arbeiten und tragen Sie einen geeigneten Atemschutz.



**WARNUNG!** Eine längerfristige Beschallung mit Lärm kann zu bleibenden Gehörschäden führen. Daher stets einen zugelassenen Gehörschutz tragen. Bei Benutzung von Gehörschützern immer auf Warnsignale oder Zurufe achten. Den Gehörschutz immer abnehmen, sobald der Motor abgestellt ist.



**WARNUNG!** Bei Arbeiten an Produkten mit beweglichen Teilen herrscht stets Klemmgefahr. Schutzhandschuhe tragen, um Verletzungen zu vermeiden.

Benutzen Sie immer:

- Schutzhelm
- Gehörschutz
- Schutzbrille oder Visier
- Atemschutzmaske
- Feste, griffsichere Handschuhe.
- Eng anliegende, kräftige und bequeme Kleidung tragen, die volle Bewegungsfreiheit gewährt.
- Stiefel mit Stahlkappe und rutschfester Sohle.

Bedenken, dass Kleidung, langes Haar und Schmuck in beweglichen Teilen hängen bleiben können.

### Weitere Schutzmaßnahmen



**WARNUNG!** Beim Betrieb des Gerätes können Funken einen Brand verursachen. Deshalb soll die Feuerlöschschrüstung stets in Reichweite aufbewahrt werden.

- Feuerlöschschrüstung
- Ein Erste-Hilfe-Set soll immer griffbereit sein.

## Allgemeine Sicherheitsvorschriften



**WARNUNG!** Lesen Sie sämtliche Sicherheitshinweise und Anweisungen durch. Die Nichtbeachtung der Warnhinweise und Anweisungen kann Stromschlag, Brand und/oder schwere Verletzungen zur Folge haben.

In diesem Abschnitt werden grundlegende Sicherheitsregeln vorgestellt. Die folgenden Informationen sind kein Ersatz für das Wissen, das ein professioneller Anwender durch seine Ausbildung und praktische Erfahrung erworben hat.

- Lesen Sie die Bedienungsanweisung sorgfältig durch und machen Sie sich mit dem Inhalt vertraut, bevor Sie das Gerät benutzen.
- Daran denken, dass der Bediener für Unfälle oder Gefahrensituationen verantwortlich ist, die anderen Personen oder deren Eigentum widerfahren.
- Sämtliche Bediener müssen für die Benutzung der Maschine ausgebildet sein. Die Verantwortung für die erforderliche Ausbildung liegt beim Eigentümer.
- Die Maschine ist sauber zu halten. Die Lesbarkeit aller Schilder und Aufkleber muss gewährleistet werden.



**WARNUNG!** Das Gerät kann falsch oder nachlässig angewendet gefährlich sein und zu schweren oder gar lebensgefährlichen Verletzungen des Benutzers oder anderer Personen führen.

Niemals Kinder oder andere Personen, die nicht mit der Handhabung der Maschine vertraut sind, die Maschine bedienen oder warten lassen. Lassen Sie niemals jemand anderen das Gerät benutzen, ohne sich zu vergewissern, dass die Person den Inhalt der Bedienungsanweisung verstanden hat.

Niemals das Gerät verwenden, wenn Sie müde sind, Alkohol getrunken oder Medikamente eingenommen haben, die Ihre Sehkraft, Urteilsvermögen oder Körperkontrolle beeinträchtigen können.



**WARNUNG!** Unzulässige Änderungen und/oder Zubehörteile können zu schweren Verletzungen oder tödlichen Unfällen von Anwendern oder anderen Personen führen.

Das Gerät nicht so modifizieren, dass es nicht länger mit der Originalausführung übereinstimmt, und nicht benutzen, wenn es scheinbar von anderen modifiziert wurde.

Niemals mit einem defekten Gerät arbeiten. Die Kontroll-, Wartungs- und Serviceanweisungen in dieser Bedienungsanweisung sind genau zu befolgen. Gewisse Wartungs- und Servicemaßnahmen sind von geschulten, qualifizierten Fachleuten auszuführen. Siehe Anweisungen unter dem Titel **Wartung**.

Es ist immer Originalzubehör zu verwenden.

# BETRIEB

## Stets mit gesundem Menschenverstand arbeiten!

Es ist unmöglich, alle denkbaren Situationen abzudecken, die beim Gebrauch des Geräts auftreten könnten. Gehen Sie stets mit Vorsicht und Vernunft vor. Lassen Sie sich bei Unsicherheiten von einer Fachkraft beraten. Fragen Sie Ihren Fachhändler, Ihre Servicewerkstatt oder einen erfahrenen Anwender. Führen Sie keine Arbeiten aus, wenn Unsicherheiten bezüglich der richtigen Vorgehensweise bestehen.

## Arbeitssicherheit

### Sicherheit im Arbeitsbereich

- **Sorgen Sie für einen sauberen und gut ausgeleuchteten Arbeitsbereich.** Durch zugestellte oder dunkle Arbeitsbereiche steigt die Unfallgefahr stark an.
- Den Arbeitsbereich stets auf das Vorhandensein von Gasleitungen überprüfen und deren Verlauf kennzeichnen. Das Schneiden in der Nähe von Gasleitungen stellt eine potenzielle Gefahrensituation dar. Funkenbildung beim Schneiden vermeiden, andernfalls besteht Explosionsgefahr. Konzentrieren Sie sich voll auf Ihre Arbeitsaufgabe. Unachtsamkeit kann zu schweren Verletzungen bis hin zum Tod führen.
- Die Maschine darf in explosionsgefährdeten Bereichen nicht eingesetzt werden.
- Stellen Sie sicher, dass keine Rohre oder elektrische Leitungen im Arbeitsbereich oder im Werkstück verlegt sind.
- Sicherstellen, dass die Stromkabel im Arbeitsbereich nicht stromführend sind.
- Überprüfen Sie Ihre Umgebung auf mögliche Störquellen hin, die Ihre Aufmerksamkeit ablenken könnten.
- Vermeiden Sie es, das Gerät bei schlechtem Wetter zu benutzen. Z.B. bei dichtem Nebel, starkem Regen oder Wind, großer Kälte usw. Das Arbeiten bei schlechtem Wetter ist sehr ermüdend und kann gefährliche Umstände herbeiführen, z. B. Rutschgefahr.
- Das Gerät nicht in nasser oder feuchter Umgebung, in der Nähe von Wasser, bei Regen oder Schneefall benutzen.
- Beginnen Sie niemals mit der Arbeit, bevor der Arbeitsbereich frei ist und Sie einen sicheren Stand haben.



**WARNUNG! Die Maschine nicht mit Wasser reinigen, da dies in das elektrische System oder den Motor eindringen und so Maschinenschäden oder einen Kurzschluss auslösen kann.**

### Persönliche Sicherheit

- Niemals das Gerät verwenden, wenn Sie müde sind, Alkohol getrunken oder Medikamente eingenommen haben, die Ihre Sehkraft, Urteilsvermögen oder Körperkontrolle beeinträchtigen können.

- Versehentliches Starten vermeiden. Sicherstellen, dass sich der Zündschalter in der Stopstellung und der Durchflussregler in der „0“-Stellung befindet.
- Niemals das Gerät unbeaufsichtigt mit laufendem Motor stehen lassen.
- Niemals allein arbeiten. Es muss sich stets eine weitere Person in der Nähe befinden. Diese kann Ihnen bei der Gerätemontage sowie bei etwaigen Unfällen helfen.
- Menschen und Tiere können zu einer Ablenkung und damit zum Verlust der Kontrolle über das Gerät führen. Konzentration und Fokussierung auf die Aufgabe sind daher stets erforderlich.

### Verwendung und Pflege

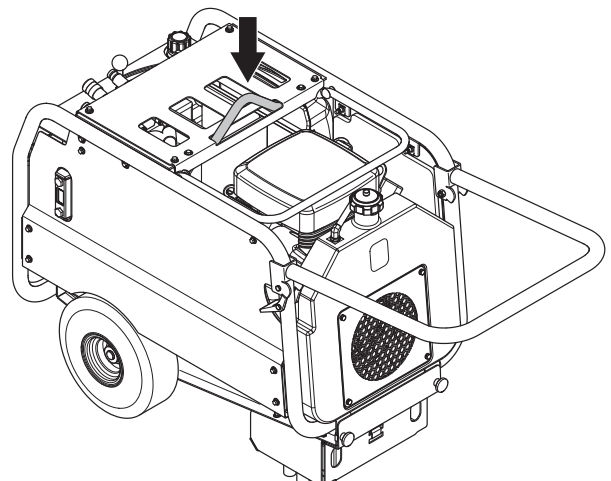
- Das Gerät ist für industrielle Anwendungen und die Benutzung durch erfahrene Bediener ausgelegt.
- Kontrollen und/oder Wartungsmaßnahmen sind mit abgeschaltetem Motor durchzuführen.
- Das Gerät darf nicht überlastet werden. Eine Überlastung kann Schäden am Gerät verursachen.
- Vor einer Standortveränderung stets das Gerät ausschalten.
- Vorsicht beim Heben. Schweres Gerät bedeutet Klemmgefahr und Gefahr für andere Verletzungen.
- Setzen Sie die Maschine keinen Temperaturen über 45°C oder direktem Sonnenlicht aus.
- Darauf achten, dass alle Kupplungen, Verbindungen und Kabel sauber und intakt sind.
- Alle Teile in funktionstauglichem Zustand halten und dafür sorgen, dass alle Befestigungsteile sorgfältig festgezogen sind.

### Transport

Anheben mit Hilfe der Huböse ist die sicherste Methode, das Hydraulikaggregat von einem Anhänger zum Einsatzbereich zu bringen. Nie eine Hubvorrichtung an anderen Maschinenteilen befestigen. Andere Teile sind nicht für das volle Gewicht des Aggregats ausgelegt.

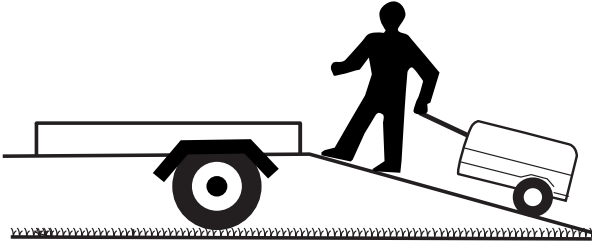


**WICHTIG! Zum Anheben des Hydraulikaggregats nur die Huböse verwenden.**



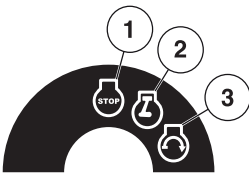
# BETRIEB

Soll das Hydraulikaggregat auf einen Anhänger geladen oder von diesem abgeladen werden oder an einem Abhang transportiert werden, dürfen sich keine Personen unter dem Aggregat aufhalten.



## Steuerungsfunktionen

### Zündschloss



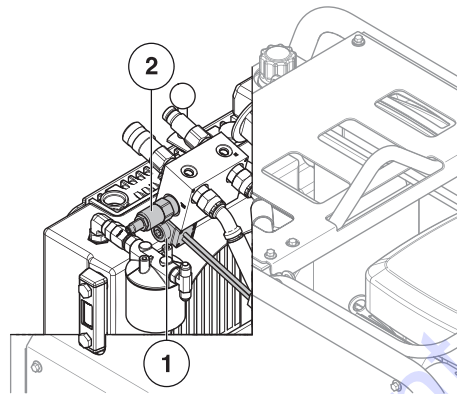
- 1 Stopstellung: kein Strom zu elektrischen Komponenten.
- 2 Betriebsstellung für das Hydraulikaggregat. Daran denken, dass der Betriebsstundenzähler auch dann läuft, wenn der Motor nicht in Betrieb ist. Auch die Batterie entlädt sich schneller, wenn der Schlüssel in der Betriebsstellung bleibt.
- 3 Startstellung: Der Motor wird gestartet.

### Durchflussregler (Öl)

- Zum Einstellen des Ölflusses den Durchflussregler drücken und nach links schieben. Die Durchflussanforderungen für ein bestimmtes Werkzeug sind der Betriebsanleitung zu entnehmen. Die empfohlene Ölflusseinstellung nicht überschreiten.
- Nach beendetem Einsatz den Durchflussregler immer vor dem Abschalten des Motors auf „0“ zurückstellen.
- Zum Starten des Motors muss sich der Durchflussregler immer in der „0“-Stellung befinden. Dadurch wird sichergestellt, dass der elektrische Anlasser den Motor drehen kann.

Dieses Hydraulikaggregat kann einen Ölfluss von 40 l (10 gal) pro Minute erzeugen. Das Druckentlastungsventil ist ab Werk auf einen Öffnungsdruck von 148 bar (2150 psi) eingestellt.

## Die automatische Gassteuerung



- 1 Überströmventil (nicht verstellen)
- 2 Einstellbares Drucksensorventil für Vollgas oder Leerlauf

Die automatische Gassteuerung wird durch einen einstellbaren Drucksensor für Leerlauf und Vollgas im Hydraulikblock ausgelöst.

Die Einstellung des einstellbaren Drucksensors für Leerlauf und Vollgas zur automatischen Gassteuerung wirkt sich nicht auf die Einstellung des Überströmventils (= max. Systemdruck) aus. Es erfasst nur den Systemdruck, um den Motor anzuweisen, im Leerlauf oder mit Vollgas zu laufen. Das Überströmventil nicht verstellen.

Wenn das Werkzeug eingeschaltet ist, steigt der Öldruck schnell auf über 50 bar (700 psi) an. Das verursacht normalerweise, dass die automatische Gassteuerung die Drosselklappe auf Vollgas einstellt. Beim Einschalten des Werkzeugs sollte der Motor sofort mit voller Drehzahl laufen.

Bei einigen Anwendungen kann die Drosselklappe des Hydrauliksystems zu niedrig eingestellt sein. Dadurch läuft der Motor selbst nach Einschalten des Werkzeugs, wenn die volle Leistung erforderlich ist, weiter mit Leerlaufdrehzahl.

Das durch die Schläuche zirkulierende Öl erzeugt einen geringen Druck (auch „Gegendruck“ genannt) am einstellbaren Drucksensorventil.

Der Gegendruck im System kann aus verschiedenen Gründen variieren:

- Kaltes Hydrauliköl
- Schlauchlänge - ein längerer Schlauch erzeugt einen höheren Gegendruck.
- Das Ventil im hydraulischen Werkzeug kann den Durchfluss erheblich einschränken.

Wenn der Durchflussregler beispielsweise auf 40 l (10 gal) eingestellt wird, dann zirkuliert diese Ölmenge durch die Schläuche und das Werkzeug und wieder zurück zum Tank.

# BETRIEB

## Einstellung

Beim Hydraulikaggregat PP518 kann der Druck, bei dem die Drosselklappe anspricht, so eingestellt werden, dass eine benötigte Funktion für ein spezifisches Werkzeug oder eine Situation erreicht wird.

- 1 Die Schläuche und das zu verwendende Werkzeug anschließen.
- 2 Den Schalter für die automatische Gassteuerung auf Stellung 1 stellen.
- 3 Den Durchflussregler auf eine für das Werkzeug geeignete Einstellung einstellen.

**ACHTUNG!** Wenn das Öl kalt ist, löst der Gegendruck im System die Vollgasfunktion aus.

- 4 Das Hydrauliköl 1 bis 2 Minuten lang warm werden lassen. Jetzt kann die Arbeit aufgenommen werden. Das Hydrauliköl erreicht in ca. 5 bis 10 Minuten eine stabile Betriebstemperatur.
- 5 Wenn das Aggregat bereits 10 Minuten lang in Betrieb war und die automatische Gassteuerung nicht richtig funktioniert, kann der Druckschwellenwert zwischen Leerlauf und Vollgas eingestellt werden.
- 6 Druck im Drosselklappen-Drucksensor mit einem 8-mm- oder 5/16-Zoll-Inbusschlüssel einstellen.

Der Motor des Hydraulikaggregats bleibt im Vollgasbetrieb, ohne dass das Werkzeug eingeschaltet wird, und das Hydrauliköl ist heiß. Die Justierschraube im Uhrzeigersinn um jeweils 1/8 Umdrehung drehen, bis die richtige Einstellung erreicht wird.

Der Motor des Hydraulikaggregats läuft weiterhin im Leerlauf, wenn das Werkzeug eingeschaltet ist. Dies funktioniert gut, wenn das Öl kalt ist. Die Justierschraube gegen den Uhrzeigersinn um jeweils 1/8 Umdrehung drehen, bis die richtige Einstellung erreicht wird.

## Hydraulikschläuche und -kupplungen

Das Hydraulikaggregat PP518 ist mit einem 7,5 m (25 Fuß) langen Schlauch mit einem Innendurchmesser von 12,7 mm (1/2 Zoll) ausgestattet. EIN zusätzlicher Schlauch mit einem Durchmesser von 1/2 Zoll und einer Länge von 10 m (33 Fuß) kann angeschlossen werden (insgesamt 18-20 m/60-65 Fuß). Falls für die betreffende Anwendung ein längerer Schlauch benötigt wird, empfehlen wir Folgendes:

Max. Schlauchverlängerung - für eine Gesamtlänge von bis zu 40 m (130 Fuß):

- Den 7,5 m (25 Fuß) langen Schlauch des Hydraulikaggregats verwenden.
- Zwei 16 m (53 Fuß) lange Verlängerungsschläuche mit einem Mindestdurchmesser von 16 mm (5/8 Zoll) anschließen.

Ein Schlauch mit einer Länge von 32 m (100 Fuß) kann ebenfalls verwendet werden, ist jedoch schwerer zu handhaben.

Wir empfehlen, unbedingt passende HTMA-„Flat Face“-Hydraulikkupplungen zu verwenden.



**WICHTIG!** Die Hydraulikschläuche und -kupplungen müssen für eine Nenndruckleistung von 140 bar (2000 psi) mit einem Sicherheitsfaktor von 4 zu 1 ausgelegt sein.



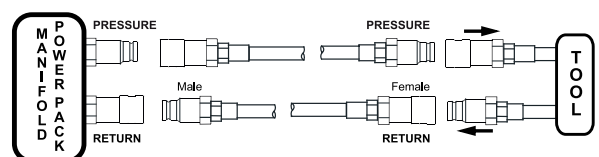
**ACHTUNG!** Die Flussrichtung des Hydrauliksystems verläuft immer vom Kupplungsstecker zur Kupplungsmuffe. Dies bedeutet, dass alle Verlängerungsschläuche genauso montiert sein müssen. Wenn sich an einem Schlauchende ein Kupplungsstecker befindet, muss sich am entgegengesetzten Ende immer eine Kupplungsmuffe befinden. Niemals dieselben Kupplungen am selben Schlauch verwenden.



**WICHTIG!** Das Hydrauliköl und somit auch die Schläuche und Hydraulikkupplungen können während des normalen Betriebs sehr heiß werden.

Eine Hydraulikkupplung mit einer Temperatur von 50 °C (120 °F) fühlt sich bei Berührung HEISS an. Das Öl des Hydraulikaggregats kann an sehr heißen Tagen mit einer Außentemperatur von über 40 °C (104 °F) eine Temperatur von 70 °C (158 °F) erreichen.

Zum Vergleich: Ein Kfz-Motor erreicht normalerweise eine Betriebstemperatur von 90 °C (195 °F).





# STARTEN UND STOPPEN

## Vor dem Start



**WARNUNG!** Lesen Sie die Bedienungsanweisung sorgfältig durch und machen Sie sich mit dem Inhalt vertraut, bevor Sie das Gerät benutzen.

Tragen Sie persönliche Schutzausrüstung. Siehe die Anweisungen unter der Überschrift "Persönliche Schutzausrüstung".

Sorgen Sie dafür, dass sich innerhalb des Arbeitsbereichs keine unbefugten Personen aufhalten, andernfalls besteht die Gefahr von schweren Verletzungen.

Überprüfen Sie, dass die Maschine korrekt montiert ist und keine Schäden aufweist.

Siehe die Anweisungen unter „Montage und Einstellungen“.

- Warten Sie das Gerät täglich. Siehe die Anweisungen unter der Überschrift Wartung.



**WARNUNG!** Der Motor stößt Kohlenmonoxid aus. Kohlenmonoxid ist ein farbloses, giftiges Gas. Verwenden Sie die Maschine nicht in geschlossenen Räumen.

## Erste Inbetriebnahme

Wenn das Hydraulikaggregat ohne Öl im Tank und in den Schläuchen geliefert wurde, müssen die Ölstände vor der ersten Inbetriebnahme sorgfältig geprüft werden.

Ein neuer Satz leerer Hydraulikschläuche erfordert eine Ölmenge von ca. 1,8 l (2 qt).

Nach dem Starten des Hydraulikaggregats und Einstellen des Durchflussreglers auf die erforderliche Einstellung werden die Hydraulikschläuche mit Öl gefüllt. Vor dem Einsatz der Maschine muss der Ölstand im Hydrauliktank geprüft werden.

Ggf. den Motor abschalten und Hydrauliköl nachfüllen.

## Kontrolle vor dem Start

Vor dem Starten des Hydraulikaggregats ist zu prüfen, ob

- die Batterie richtig geladen und eingebaut ist.
- der Reifendruck korrekt ist.
- der Motorölstand korrekt ist.
- der Kraftstofftank mit frischem, sauberem, bleifreiem Normalbenzin gefüllt ist.
- der Hydrauliktank bis zum korrekten Füllstand gefüllt ist.
- Lage und Funktion der Bedienungselemente vertraut sind. Die Bedienungselemente vor dem Starten des Motors testen.
- die Hydraulikschläuche am Hydraulikaggregat angeschlossen sind und die anderen Enden an einem hydraulischen Werkzeug oder aneinander angeschlossen sind.
- sich der Durchflussregler in der „0“-Stellung befindet.



**WICHTIG!** Das Hydraulikaggregat vor jeder Verwendung auf Schäden an Teilen oder Komponenten überprüfen. Dabei besonders auf Benzin- oder Öllecks achten.

## Starten

Zum Starten des Motors muss sich der Durchflussregler immer in der „0“-Stellung und der Gassteuerungsschalter in der Stellung 1 befinden.

Mit dem Gassteuerungsschalter lassen sich zwei verschiedene Betriebsarten der Gassteuerung einstellen.

Der Schalter für die automatische Gassteuerung kann auf „1“ oder „0“ gestellt werden.

- Schalter für die automatische Gassteuerung in der „0“-Stellung.

Beim Betrieb des Schalters in der „0“-Stellung läuft der Motor mit voller Drehzahl zwischen 2600 bis 2700 U/min (Vollgas) und ca. 2800 U/min (Leerlauf).

- Schalter für die automatische Gassteuerung in Stellung 1.

Nach dem Anlassen dreht der Motor im Leerlauf mit ca. 1900 U/min.

Wird das Werkzeug eingeschaltet, erhöht ein Druckschalter am Antriebsaggregat die Motordrehzahl auf Vollgas.

Wird das Werkzeug ausgeschaltet, sinkt die Motordrehzahl wieder auf 1900 U/min.

Die Empfindlichkeit des automatischen Gassteuerungssystems lässt sich einstellen, um verschiedene Faktoren wie erhöhten Gegendruck durch angeschlossene Schlauchverlängerungen, Betrieb bei niedrigeren Temperaturen, unterschiedliche Viskosität usw. auszugleichen.

Siehe die Anweisungen unter „Einstellung“.

- 1 **Bei kaltem Motor:** Den Choke ganz herausziehen.
- 2 Zündschlüssel in Startstellung drehen.
- 3 Wenn der Motor startet, sofort den Zündschlüssel loslassen, so dass dieser in die Betriebsstellung zurückkehrt. Den Choke einschieben, wenn er zum Starten verwendet wurde.
- 4 Den Motor 1 bis 2 Minuten warmlaufen lassen. Den Durchflussregler auf die erforderliche Einstellung stellen. Dadurch fließt das Hydrauliköl von der Pumpe durch die Schläuche und zum Werkzeug.

Bei kaltem Wetter wird empfohlen, dass das Hydraulikaggregat das Öl durch die Schläuche und das Werkzeug pumpt, bis die Öltemperatur vor Verwendung des Werkzeugs mindestens 10 °C (50 °F) erreicht hat. Dadurch ist sichergestellt, dass der Schalter für die automatische Gassteuerung richtig funktioniert.

Siehe die Anweisungen unter „Einstellung“.



# STARTEN UND STOPPEN

## Motor mit schwacher Batterie starten

Wenn die Batterie zu schwach zum Starten des Aggregats ist, muss sie geladen oder ersetzt werden.

Falls ein Notstart mit Startkabeln erforderlich ist, wie folgt vorgehen:



**WICHTIG!** Das Hydraulikaggregat ist mit einem negativ geerdeten 12-Volt-System ausgestattet. Das andere Fahrzeug muss ebenfalls über ein negativ geerdetes 12-Volt-System verfügen. Das Aggregat nicht zum Fremdstarten anderer Fahrzeuge verwenden.

## Anschluss der Startkabel

- 1 Die beiden Enden des roten Kabels an den PLUS-Pol (+) an jeder Batterie anschließen und sorgfältig darauf achten, dass kein Ende am Rahmen kurzgeschlossen wird.
- 2 Das eine Ende des schwarzen Kabels an den MINUS-Pol (-) an der voll geladenen Batterie anschließen.
- 3 Das andere Ende des schwarzen Kabels an eine gute RAHMENMASSE anschließen, in angemessenem Abstand von Kraftstofftank und Batterie.

## Die Kabel in umgekehrter Reihenfolge wieder abtrennen.

- 1 Das SCHWARZE Kabel zuerst vom Rahmen und dann von der voll geladenen Batterie abnehmen.
- 2 Dann das ROTE Kabel von beiden Batterien abnehmen.

## Stoppen

Den Zündschlüssel in die Stopstellung drehen, um das Hydraulikaggregat abzustellen.

## Allgemeines

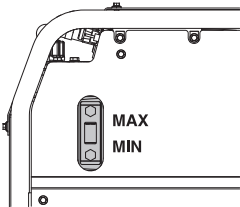


**WARNUNG! Der Bediener darf nur die Wartungs- und Servicearbeiten ausführen, die in dieser Bedienungsanleitung beschrieben sind. Größere Eingriffe sind von einer autorisierten Servicewerkstatt auszuführen.**

Die Lebensdauer der Maschine kann verkürzt werden und die Unfallgefahr kann steigen, wenn die Wartung der Maschine nicht ordnungsgemäß und Service und/oder Reparaturen nicht fachmännisch ausgeführt werden. Weitere Informationen erteilt Ihnen gerne die nächste Servicewerkstatt.

## Tägliche Wartung

- Überprüfen Sie, ob die Sicherheitsausrüstung der Maschine intakt ist. Siehe Anweisungen im Abschnitt "Sicherheitsausrüstung des Gerätes".
- Reinigen Sie die gesamte Ausrüstung am Ende eines Arbeitstags. Verwenden Sie eine robuste Bürste oder einen großen Pinsel.
- Darauf achten, die Anschlüsse und Kontakte sauber zu halten. Mit einem Lappen oder Pinsel reinigen.
- Sicherstellen, dass sich der Hydraulikölstand im Schauglas über der angegebenen Untergrenze befindet. Bei Bedarf Öl nachfüllen.



- Hydraulikschläuche auf Lecks oder Knickstellen oder auf Lecks an den Kupplungen untersuchen.
- Ölkühler auf angesammelte Rückstände oder Schmutzablagerungen prüfen. Rückstände mit Druckluft oder einem Gartenschlauch entfernen. Den Strahl eines Hochdruckreinigers nicht direkt auf den Ölkühler richten.

**HINWEIS! Reinigen Sie das Gerät nicht mit einem Hochdruckreiniger. Zudem könnten Dichtungen beschädigt werden, sodass Wasser und Schmutzpartikel in die Maschine eindringen könnten.**

## Motor

Vor dem Anlassen des Motors immer den Ölstand prüfen. Der Ölstand muss sich immer bei der Voll-Markierung („Full“) befinden. Nicht überfüllen. Den Ölstand täglich oder nach jeweils 8 Betriebsstunden prüfen.

**ACHTUNG! Der Motor fasst ca. 1,4 l (1-1/2 qt/48 oz) Öl, wenn Öl und Ölfilter gewechselt werden.**

Das Hydraulikaggregat muss zum Prüfen des Ölstands und für den Ölwechsel immer auf einer ebenen Fläche abgestellt werden.

Das Öl nach den ersten 5 bis 8 Betriebsstunden wechseln. Danach ist das Öl alle 50 Betriebsstunden auszuwechseln.

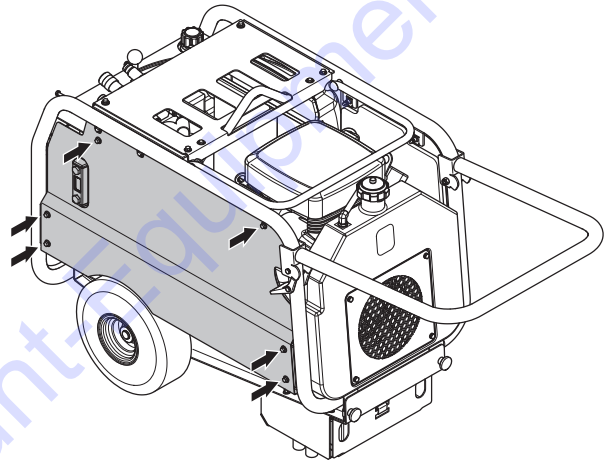
Ölfilter alle 100 Betriebsstunden austauschen.

Siehe dazu die Anweisungen unter „Motoröl“ und „Empfohlenes Öl“ sowie in der Bedienungsanleitung von Briggs & Stratton.

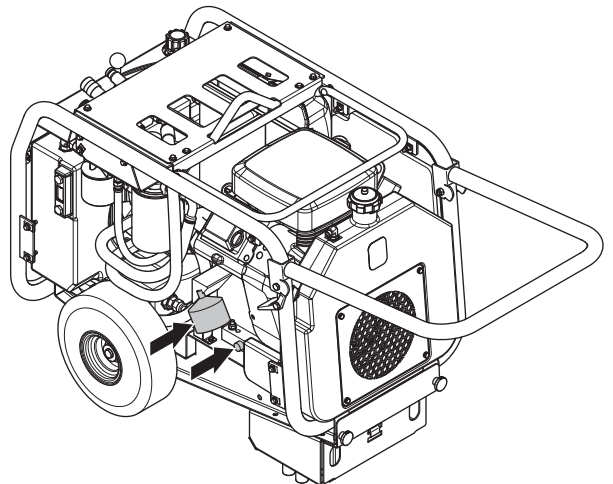
Wir empfehlen unbedingt, nur Originalersatzteile von Briggs & Stratton zu verwenden.

## Wechseln des Motoröls

- 1 Ölwechsel bei abgeschaltetem, aber noch warmem Motor durchführen.
- 2 Die 6 Schrauben wie unten abgebildet lösen.



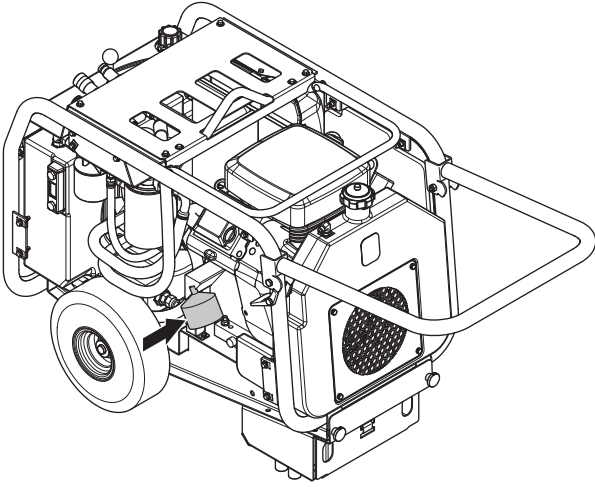
- 3 Durch Abnehmen der Seitenverkleidung gelangt man ungehindert an die Ölablassschraube und den Ölfilter.



- 4 Das Öl in einen geeigneten Behälter ablassen. Weitere Informationen sind in der Bedienungsanleitung von Briggs & Stratton zu finden.
- 5 Zuerst 1 l (1 qt) Öl des empfohlenen Typs einfüllen.
- 6 Motor starten und ca. 30 s im Leerlauf laufen lassen.
- 7 Motor abstellen. Den Ölstand erneut prüfen und ggf. Öl nachfüllen - normalerweise 0,3 bis 0,5 l (12-15 oz).

## Austausch des Ölfilters

Um an den Motorölfilter zu gelangen, die Anweisungen unter „Wechseln des Motoröls“ in Abschnitt 1-4 befolgen.



- 1 Den Motorölfilter entfernen.
- 2 Vor dem Einsetzen des neuen Filters muss die Filterdichtung mit frischem, sauberem Öl bestrichen werden.
- 3 Den Filter von Hand anschrauben, bis die Dichtung den Ölfilteradapter berührt.
- 4 Um eine weitere halbe bis dreiviertel Umdrehung anziehen.

## Motoröldruck

- Wenn der Motoröldruck unter 0,1-0,2 kg/cm (1-4 psi) sinkt, schaltet ein Öldruckschalter den Motor ab.
- Wenn der Motorölstand unter der Markierung am Ölmesstab liegt, so viel Motoröl einfüllen, bis der Ölstand die Voll-Markierung („Full“) erreicht. Versuchen, den Motor zu starten.
- Falls das Problem weiterbesteht, den zuständigen Briggs & Stratton-Händler benachrichtigen.

## Luftfilter

Wenn der Motor einen schwachen Eindruck macht oder unregelmäßig läuft, kann dies an einem verstopften Luftfilter liegen. Den Luftfilter bei jedem Ölwechsel bzw. alle 50 Betriebsstunden prüfen und warten.

## Schalldämpfer

Wenn der Schalldämpfer korrodiert oder anderweitig beschädigt ist, muss er ersetzt werden, um Brandgefahr und/oder Verletzungen zu vermeiden.

## Kraftstofffilter

Der Kraftstofffilter muss ersetzt werden, wenn er verstopft ist und den Kraftstoffzufluss zum Vergaser behindert.

Es wird empfohlen, den Filter alle 250 Betriebsstunden oder einmal pro Saison zu wechseln.

## Weitere Motorinformationen

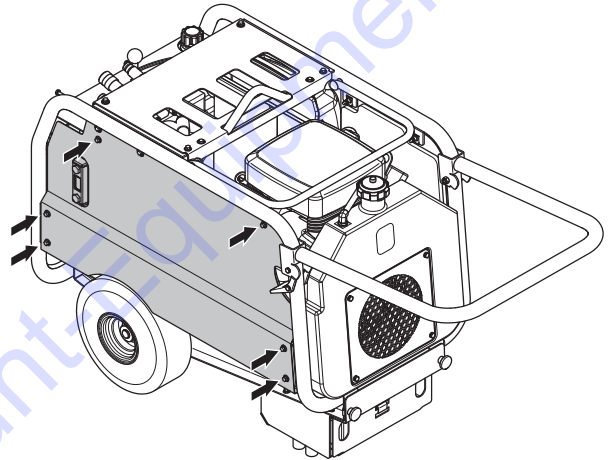
Weitere Informationen zur Motorwartung sind in der mitgelieferten Betriebsanleitung von Briggs & Stratton zu finden. Die Betriebsanleitung enthält auch Informationen wie technische Daten, Ersatzteile, Motorgarantie, Erfüllung von Emissionsbestimmungen usw.

## Hydraulikanlage

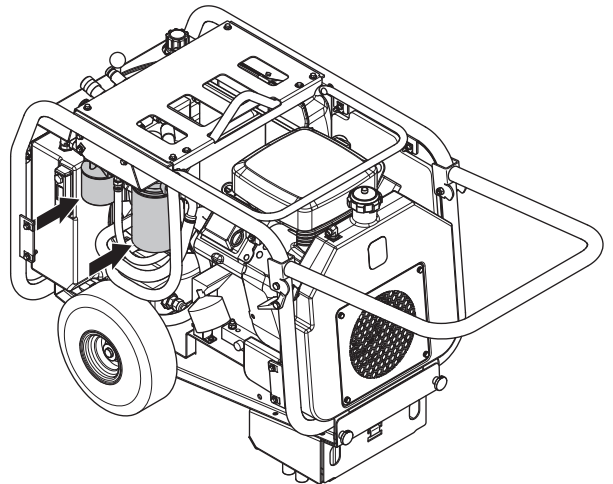
### Wechseln von Hydrauliköl und Hydraulikfilter

Zugang zum Hydraulikfilter.

- 1 Die 6 Schrauben wie unten abgebildet lösen.



- 2 Die Seitenverkleidung abnehmen.



- 3 Die Schläuche am Hydraulikaggregat anbringen und die Schlauchenden miteinander verbinden.
- 4 Den Motor des Hydraulikaggregats anlassen und den Durchflussregler auf 40 l (10 gal) stellen.
- 5 Den Motor 5 Minuten lang mit dieser Einstellung warmlaufen lassen.
- 6 Den Motor abschalten und das Hydrauliköl in einen geeigneten Behälter ablassen. Die Schnellkupplungen an den Schläuchen sollten am besten auch abgenommen und das Öl aus den Schläuchen abgelassen werden.
- 7 Den Hydraulikölfilter ersetzen.
- 8 Den Tank mit Hydrauliköl füllen.

## Batterie

### Abklemmen der Batterie

- 1 Immer zuerst das SCHWARZE (-) Massekabel von der Batterie abklemmen (13-mm- oder 1/2-Zoll-Schlüssel).
- 2 Dann das ROTE (+) Kabel abklemmen.

### Aufladen des Akkus.

Die einzig sichere Methode zum Aufladen der Batterie besteht darin, die Batterie vollständig aus dem Hydraulikaggregat auszubauen. Ein normales Ladegerät mit einem Ladestrom von 12 V und 2 bis 10 A kann verwendet werden. Vor dem Anschließen an die Batterie sind alle Anweisungen für das Ladegerät zu befolgen.

Zum Wiederanschießen der Batterie nach dem Laden die Anweisungen unter „Anschließen der Batterie“ beachten.

## Service



**WARNUNG! Sämtliche Reparaturen dürfen nur von autorisiertem Reparaturpersonal ausgeführt werden. Diese Vorschrift soll verhindern, dass der Bediener großen Gefahren ausgesetzt wird.**

To order go to Discount-Equipment.com

# TECHNISCHE DATEN

## PP518

### Abmessungen

Leergewicht ohne Schläuche, kg/lb	127/280
Gewicht mit Öl aber ohne Benzin, kg/lb	135/298
Gewicht - Schlauch, 1/2 Zoll x 7,5 m (25 Fuß) - leer, kg/lb	8,5/19
Gewicht - Schlauch mit Öl, 1/2 Zoll x 7,5 m (25 Fuß), kg/lb	10/22
Länge mit eingeklapptem Griff, mm/Zoll	860/34
Länge mit ausgeklapptem Griff, mm/Zoll	1300/51
Breite, mm/Zoll	550/22
Höhe	740/29
Höhe mit ausgeklapptem Schlauch-/Werkzeughalter	920/36

### Motor

Briggs & Stratton, V-twin Vanguard 18 hp	
Nennleistung des Motors, kW (siehe Anmerkung 1)	10,4/14
Ölfassungsvermögen des Motors, l/fl oz	1,4/48
Fassungsvermögen des Kraftstofftanks, l/gal	7,9/2,1

### Hydrauliksystem

Hydrauliksystem, Werkzeuge	Ventil mit Umlaufstellung
Hydrauliksystem, Hydraulikaggregat	Regelschleife
Pumpentyp	Verstellkolbenpumpe
Durchsatz, l/min (gal/min)	20, 30, 40/5, 8, 10
Einstellung des Überströmventils, bar/psi	148/2150
Nennhydraulikdruck, bar/psi	110/1595
Hauptfilter (groß), Mikron	25
Pumpenfilter (klein), Mikron	25
Fassungsvermögen des Öltanks, l/gal	10/2,6
Öltyp	ISO 46
Ölkühlung	Druckluftkühlung
	Entspricht den HTMA-Kühlungsrichtlinien

### Geräuschemissionen (siehe Anmerkung 2)

Gemessene Schallleistung dB(A)	100
Garantierte Schallleistung $L_{WA}$ dB(A)	101

### Lautstärke (siehe Anmerkung 3)

Äquivalenter Schalldruckwert am Ohr des Bedieners, dB (A)	92
---	----

### Elektrische Anlage

Batterietypen	Größe U1, 12 V, 230 A (Kaltstartleistung)
Sicherung	10 A, Kfz-Typ (beim Anlassermotor)

Anmerkung 1: Die Nennleistung der Maschine ist die durchschnittlich nach SAE-Standard J1349/ISO1585 gemessene Nettogleistung einer typischen Produktionsmaschine, die (bei einer bestimmten Drehzahl) an das Maschinenmodell abgegeben wird. Maschinen für die Massenproduktion können von diesem Wert abweichen. Die tatsächliche Ausgangsleistung für die an der Endmaschine installierte Maschine hängt von der Betriebsgeschwindigkeit, den Umweltbedingungen und anderen Werten ab.

Anmerkung 2: Umweltbelastende Geräuschemission gemessen als Schallleistung ( $L_{WA}$ ) gemäß EG-Richtlinie 2000/14/EG. Die Differenz zwischen garantiertem und gemessenem Lautstärkepegel besteht darin, dass bei der garantierten Lautstärke auch eine Streuung im Messergebnis und Variationen zwischen verschiedenen Maschinen desselben Modells gemäß der Richtlinie 2000/14/EG berücksichtigt werden.

Anmerkung 3: Äquivalente Schalldruckpegel nach der EN ISO-Norm 11203:2009,  $r = 1$  m, werden berechnet als die zeitgewichtete energetische Summe der Schalldruckpegel bei verschiedenen Betriebsarten. Berichten zufolge entspricht der Schalldruckpegel für diese Maschine normalerweise einer Ausbreitungsklasse (standardmäßige Ausbreitung) von 1 dB (A).





GB - Original instructions, FR - Instructions d'origine, NL - Originele instructies, DE - Originalanweisungen



1157629-20

2015-04-08

**TO PURCHASE THIS PRODUCT PLEASE CONTACT US**



**Equipment Financing and  
Extended Warranties Available**



**Discount-Equipment.com is your online resource for  
commercial and industrial quality parts and equipment sales.**

**561-964-4949**

**visit us on line @ [www.discount-equipment.com](http://www.discount-equipment.com)**

Select an option below to find your Equipment

**Search by Manufacturer**

**Search by Product Type**

**Request a Quote**

We sell worldwide for the brands: Genie, Terex, JLG, MultiQuip, Mikasa, Essick, Whiteman, Mayco, Toro Stone, Diamond Products, Generac Magnum, Airman, Haulotte, Barreto, Power Blanket, Nifty Lift, Atlas Copco, Chicago Pneumatic, Allmand, Miller Curber, Skyjack, Lull, Skytrak, Tsurumi, Husquvarna Target, Stow, Wacker, Sakai, Mi-T-M, Sullair, Basic, Dynapac, MBW, Weber, Bartell, Bennar Newman, Haulotte, Ditch Runner, Menegotti, Morrison, Contec, Buddy, Crown, Edco, Wyco, Bomag, Laymor, EZ Trench, Bil-Jax, F.S. Curtis, Gehl Pavers, Heli, Honda, ICS/PowerGrit, IHI, Partner, Imer, Clipper, MMD, Koshin, Rice, CH&E, General Equipment, Amida, Coleman, NAC, Gradall, Square Shooter, Kent, Stanley, Tamco, Toku, Hatz, Kohler, Robin, Wisconsin, Northrock, Oztec, Toker TK, Rol-Air, APT, Wylie, Ingersoll Rand / Doosan, Innovatech, Con X, Ammann, Mecalac, Makinex, Smith Surface Prep, Small Line, Wanco, Yanmar