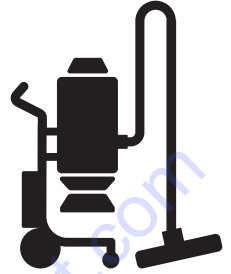




Husqvarna®



T 7500

EN	Operator's manual	2-12
PT-BR	Manual do operador	13-23
AR	دليل المشغل	24-33
ES	Manual de usuario	34-44

TO PURCHASE THIS PRODUCT PLEASE CONTACT US



**Equipment Financing and
Extended Warranties Available**



**Discount-Equipment.com is your online resource for
commercial and industrial quality parts and equipment sales.**

561-964-4949

visit us on line @ www.discount-equipment.com

Select an option below to find your Equipment

Search by Manufacturer

Search by Product Type

Request a Quote

We sell worldwide for the brands: Genie, Terex, JLG, MultiQuip, Mikasa, Essick, Whiteman, Mayco, Toro Stone, Diamond Products, Generac Magnum, Airman, Haulotte, Barreto, Power Blanket, Nifty Lift, Atlas Copco, Chicago Pneumatic, Allmand, Miller Curber, Skyjack, Lull, Skytrak, Tsurumi, Husquvarna Target, Stow, Wacker, Sakai, Mi-T-M, Sullair, Basic, Dynapac, MBW, Weber, Bartell, Bennar Newman, Haulotte, Ditch Runner, Menegotti, Morrison, Contec, Buddy, Crown, Edco, Wyco, Bomag, Laymor, EZ Trench, Bil-Jax, F.S. Curtis, Gehl Pavers, Heli, Honda, ICS/PowerGrit, IHI, Partner, Imer, Clipper, MMD, Koshin, Rice, CH&E, General Equipment, Amida, Coleman, NAC, Gradall, Square Shooter, Kent, Stanley, Tamco, Toku, Hatz, Kohler, Robin, Wisconsin, Northrock, Oztec, Toker TK, Rol-Air, APT, Wylie, Ingersoll Rand / Doosan, Innovatech, Con X, Ammann, Mecalac, Makinex, Smith Surface Prep, Small Line, Wanco, Yanmar

Contents

Introduction.....	2	Maintenance.....	7
Safety.....	4	Troubleshooting.....	10
Assembly.....	6	Transportation, storage and disposal.....	10
Operation.....	6	Technical data.....	12

Introduction

Product description

The product is a dust extractor with a suction hose. Air with dust is suctioned into an inlet valve through the suction hose. The air decreases in speed by a cyclone which cause the dust particles to move apart from the air. Small dust particles and air goes through a 2 filter system. Large dust particles are collected in the cyclone and fall through the bottom flap into a plastic bag.

Intended use

The product is used to clean construction areas by collecting up dry and non flammable dust in indoor environments.

The product can be connected to medium and large surface preparation equipment such as grinders.

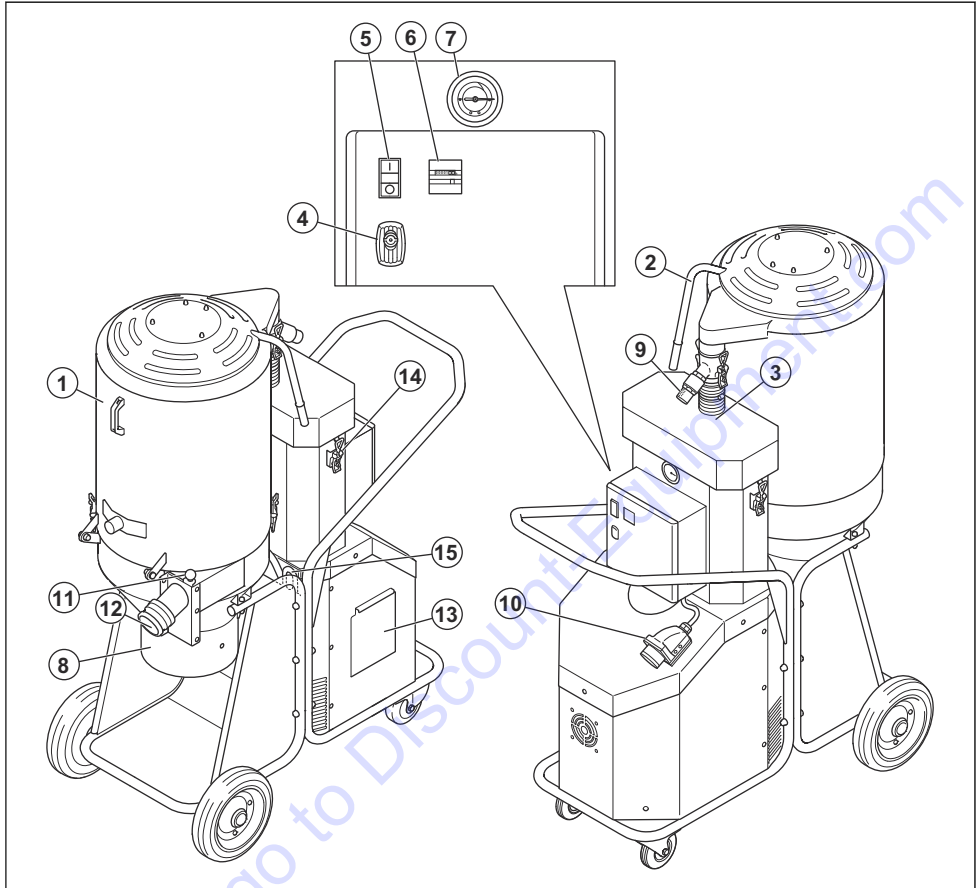
The product is intended for commercial use, for example in hotels, schools, hospitals, factories, shops, offices and rental businesses

Note: The explosion limit value for the not flammable dust is $>0.1\text{mg/m}^3$.

Dust storage system

All Husqvarna T-Line Dust Extractors are to be used with Longopac. Only change Longopac after the filter cleaning cycle has been completed.

Product overview T 7500



1. Pre-filter
2. Jet Pulse handle
3. Hepa filter
4. Lock to electricity box
5. On/Off
6. Hour meter
7. Manometer
8. Longopac connection
9. Pressure release valve
10. Socket inlet with phase converter
11. Inlet valve
12. Inlet
13. Utility hatch
14. Toggle fastener
15. Tie down lug 2X

Symbols on the product



Please read the operator's manual carefully and make sure you understand the instructions before using the product.



Always use an approved breathing mask.



Always use approved ear protection.



Always use approved eye protection.

Product liability

As referred to in the product liability laws, we are not liable for damages that our product causes if:

- the product is incorrectly repaired.
- the product is repaired with parts that are not from the manufacturer or not approved by the manufacturer.
- the product has an accessory that is not from the manufacturer or not approved by the manufacturer.
- the product is not repaired at an approved service center or by an approved authority.

Safety

Safety definitions

Warnings, cautions and notes are used to point out specially important parts of the manual.



WARNING: Used if there is a risk of injury or death for the operator or bystanders if the instructions in the manual are not obeyed.



CAUTION: Used if there is a risk of damage to the product, other materials or the adjacent area if the instructions in the manual are not obeyed.

Note: Used to give more information that is necessary in a given situation.

General safety instructions



WARNING: Read the warning instructions before you use the product.

- Always exercise care and use your common sense. If you get into a situation where you feel unsafe, stop and seek expert advice. Contact Discount-equipment. Do not attempt any task that you feel unsure of!
- Read the operator's manual carefully and understand the instructions before using the product. Save all warnings and instructions for future reference.
- Make sure that you read and understand the instructions for the main product manual to ensure that you know what personal equipment to wear, what safety equipment to use and how to work in a safe mode.
- Keep in mind that it is you, the operator that is responsible for not exposing people or their property to accidents or hazards.
- The product can be a dangerous tool if used incorrectly or carelessly, which can cause serious or fatal injury to the operator or others.
- The product must be kept clean. Signs and stickers must be fully legible.

- This product is not intended for use by persons (including children) with reduced physical, sensory or mental capabilities, or lack of experience and knowledge.
- Keep children and unauthorized persons away from the product when in use.
- Operators shall be adequately instructed on the use of the product.
- Never use this product if you are fatigued, while under the influence of alcohol or drugs, medication or anything that could affect your vision, alertness, coordination or judgment.
- Do not handle plug or product with wet hands.
- Never use a product that is faulty. Carry out the safety checks, maintenance and service instructions described in this manual. Some maintenance and service measures must be carried out by trained and qualified specialists. Refer to instructions in *Maintenance on page 7*.

Electrical Safety instructions



WARNING: Read the warning instructions that follow before you use the product.

- The dust extractor is equipped with a safety thermal protector to prevent motor from overheating. Should thermal protector activate, turn off machine, unplug power cord and check for full dust bag, vacuum hose clog or filter blockage. It may take up to 45 minutes for the thermal protector to reset.
- Before using the dust extractor make sure that the power & voltage corresponds with the voltage shown on the machines rating plate, including extension cords.
- Connect to a properly grounded outlet only. Refer to *Grounding instructions on page 6*.
- Improper connection of the equipment-grounding conductor can result in a risk of electrical shock. Check with a qualified electrician or service person if you are in doubt as to whether the outlet is properly grounded. Do not modify the plug provided, if it will not fit the outlet have a proper outlet installed by a qualified electrician.
- If using an extension cord make sure the cord rating is suitable for this machine.

- Cables damaged through crushing or splitting can be dangerous if used and should be replaced immediately.
- Do not use with damaged cord or plug. If the machine is not working as it should, has been dropped, damaged, left outdoors or dropped in water. Make sure it is repaired by a qualified person to avoid hazard.
- Regularly inspect cord and plug for damage. Do not use with a damaged cord or plug.
- Do not pull or carry by cord, use cord as handle, close a door or cord, or pull cord around sharp edges or corners. Do not allow equipment to run over cord. Keep cord away from heated surfaces.
- Do not unplug by pulling on cord. To unplug, grasp the plug.
- Do not leave machine when plugged in. Unplug cord from outlet when not in use and before cleaning or servicing machine.

- Do not use the product without dust bag and/ or filters in place. Replace collection system and/or filters as described in this manual.



CAUTION: This machine is designed for picking up dry, non-flammable dust and debris in an indoor environment. It is not suitable for picking up liquids.



CAUTION: This product is for indoor use only.



CAUTION: This product shall be stored indoors only.

Safety instructions for assembly



WARNING: Read the warning instructions that follow before you assemble the product.

- Turn off all controls before unplugging. Do not unplug by pulling on cord. To unplug, grasp the plug.
- Unauthorized modifications and /or accessories may lead to serious injury or death to the user or others.
- Always use genuine accessories.
- Use only attachments as described in this manual. Use only manufacturers recommended attachments.
- Make sure that the assembly area is firm, so the product does not tip over. Risk of personal and material injury.
- Be careful, the toggle fasteners can cause damage to the operator when assemble the product.



WARNING: Read the warning instructions that follow before you use the product.

- Always use approved personal protective equipment during operation. Personal protective equipment does not give you full protection but it decreases the degree of injury if an accident occur. Speak to you servicing dealer for recommendations about which equipment to use.
- Risk of dust dispersion - Use personal equipment. Unhealthy dust can be spread during filter change. Accordingly, the user should wear protective glasses, protective gloves, and a breathing mask conforming to protection class FFP3.
- Long-term exposure to noise can result in permanent hearing impairment. Always use approved hearing protection. Listen for warning signals or shouts when you wearing hearing protection. Always remove your hearing protection as soon as the engine stops.
- Use approved protective gloves when you maintenance the product.

Safety instructions for operation



WARNING: Read the warning instructions that follow before you use the product.

- The product must not be used in environments where explosive gases may be present. This will pose a serious risk of explosion.
- Do not pick up anything that is burning or smoking, such as cigarettes, matches or hot ashes.
- Do not use to pick up flammable or combustible liquids, such as gasoline, or use in areas where they may be present.
- Do not allow a build-up of dust, hair and anything that may reduce airflow.
- Keep hair, loose clothing, fingers and all parts of body away from openings and moving parts.



WARNING: Read the warning instructions that follow before you use the product.

- Make sure the engine switch is in the Off position. Disconnect the product from the wall outlet.
- Do not modify the product from its original design.
- All repairs must be performed by a qualified service person. Use only manufacturer-supplied or equivalent replacement parts.
- Use approved protective equipment. Refer to *Personal protective equipment on page 5*
- Do not make a hole in the Hepa filter. A broken Hepa filter can disperse dust.

Assembly

Introduction



CAUTION: Only use extension cable with correct rated value for this product. Only connect to an outlet that is correct grounded.



CAUTION: Always clean the prefilter before change of bag collection system.

Operation

Before use



WARNING: Before using the dust extractor make sure that the power and voltage corresponds with the voltage shown on the machines rating plate, including extension cords.



WARNING: Connect to a properly grounded outlet only. Refer to *Grounding instructions on page 6*

Grounding instructions



WARNING: The dust extractor must be grounded. If it should malfunction or breakdown, grounding provides a path of least resistance for electric current to reduce the risk of electric shock. The dust extractor is equipped with a cord having an equipment-grounding conductor and grounding plug. The plug must be inserted into an appropriate outlet that is properly installed and grounded in accordance with all local codes and ordinances.

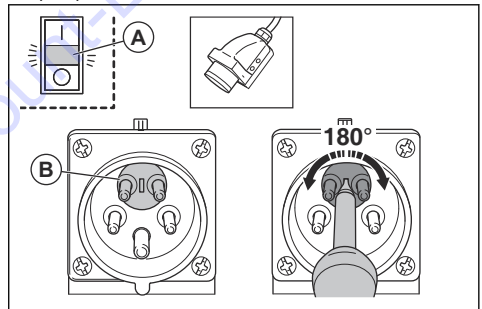
Phase converter

Note: Not applicable to variants sold in Australia or New Zealand.



WARNING: Electrical work must be done by an approved electrician.

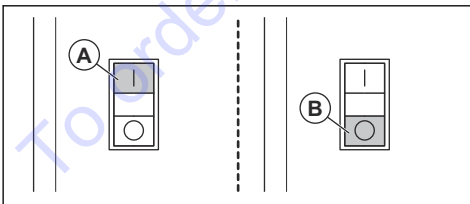
If the red lamp (A) between the red and the green button lights up, there is a phase error. Switch 2 of the phases to reset (B). This is a safety measure to make sure that the pump does not start to blow.



To start and stop

Push the green button (A) to start the dust extractor.

Push the red button (B) to stop the dust extractor.



Maintenance

Introduction



WARNING: Use personal safety equipment, refer to *Personal protective equipment on page 5*, during service. Dust can be exposed during maintenance and service.



WARNING: Most accidents involving machines occur during trouble shooting, service and maintenance as staff have to locate themselves within the risk area of the machine. Prevent accidents by being alert and by planning and preparing the work.



WARNING: The motor should be switched off during operations described in this chapter unless otherwise stated.



WARNING: All checks involving electric components should only be performed by a licensed electrician.

Maintenance schedule T-Line Dust Extractor

The maintenance intervals are calculated from daily use of the product. The intervals change if the product is not used daily.

Maintenance	Before each use	Daily	Weekly	When suction is low	6 months or 1000h	12 months or 2000h
Look for signs of wear, damage or loose connections of the controls before the unit is connected.	X					
Do a check that the Longopac is correct.		X				X
Do a check of the filter cleaning mechanism.		X				
Do a check of the wheels. Look for damage and bad connections.			X			
Clean the pre-filter.				X		
Replace the pre-filter.				X	X	
Replace the Hepa filter				X		X

To clean the dust extractor

It is important to clean the dust extractor to prevent circulation of dangerous dust. Always clean the dust extractor before it is moved from the work area.



WARNING: Turn the motor switch to its OFF position and disconnect the cord from the wall outlet before you clean or do maintenance to the product.

- All equipment once used must be regarded as contaminated and be treated thereafter.

- All parts that are contaminated after service work must be disposed in a correct procedure in plastic bags. Refer to local regulations.
- Use correct personal equipment when you clean the product. Refer to *Personal protective equipment on page 5*.
- Clean the external surface with a moist cloth.
- Clean the filters and the dust extractor in applicable area.
- Vacuum the pre-filter from the inside. Always use dust extractors with Hepa filter and a soft brush to not damage the filter.
- Do not use water on electrical components.

- Do not clean the dust extractor with high pressure (air or water).
- Do not put tools on the surface of the filter, it can cause damage to the filter.
- Do not make a hole in the Hepa filter, it can cause a health risk.

Filter change



WARNING: Use personal safety equipment, refer to *Personal protective equipment on page 5*, during filter change. Dust can come out during filter change.



WARNING: Always turn the motor switch in the Off position and disconnect the cord from the wall outlet during filter change.

To clean the pre filter

The filter must be cleaned from time to time. This must be done before changing the plastic bag collection system and should also be done when work is completed or when there is poor suction..



CAUTION: Avoid hitting or dragging items across the filter surface as this will damage the filter.



CAUTION: Do not use water to clean the filters.

1. While running the dust extractor, seal the inlet using the inlet plug or the inlet valve.
2. Let the dust extractor build up vacuum for 5 seconds, then quickly push and hold down the Jet Pulse handle for 5 seconds.
3. Repeat step 2 five times. It is important to let the dust extractor rebuild the vacuum in between every repetition.
4. If suction remains poor, the filter should be replaced. Only replace plastic bag after cleaning the filter.

The pre filter

Only use Husqvarna filters. Performance and filtration efficiency can only be assured with original filters.



WARNING: Do not replace only one tube. If one is broken, it is necessary to replace the complete filter.

To change the pre filter

1. Loosen the 2 toggle fasteners between the tank and the lower cyclone.

2. Loosen the 2 toggle fasteners at the hose connection between the tank and the Hepa filter cover.
3. Rotate the tank forward.
4. Rotate the filter plate anticlockwise 10 degrees and carefully turn the filter and holder upside down.
5. Put a plastic bag above the filter unit.
6. Lift out the filter carefully in the bag and close it. The bag must be discarded. Refer to local disposal regulations.
7. Put on a new complete filter package in reverse order.

To change the Hepa filter



CAUTION: Do not clean Hepa filter, trying to clean a Hepa filter will destroy it. When installing the replacement filter, make sure to not touch the inside of the filter. Any kind of force/damage on the inside of filter media will destroy the new filter..



CAUTION: Do not touch the inner surface of the filter when installing a replacement Hepa filter. Damage to the inner surface of the filter can make it unserviceable.

1. Loosen the toggle fasteners on the filter cap and remove it.
2. Carefully lift the filter into a clean plastic bag.

Note: This bag must be properly disposed.

3. Insert a new filter in reverse order.

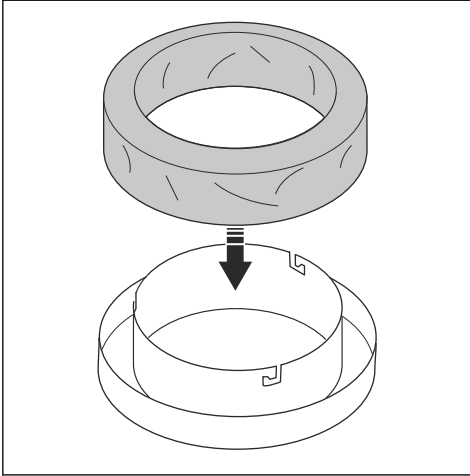
To assemble a new Longopac dust bag



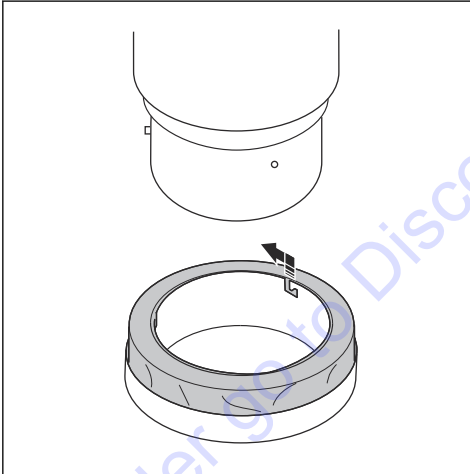
WARNING: Always clean the prefilter before change of bag collection system.

Note: The dust extractor has Longopac system.

1. Put the dust bag in the holder.

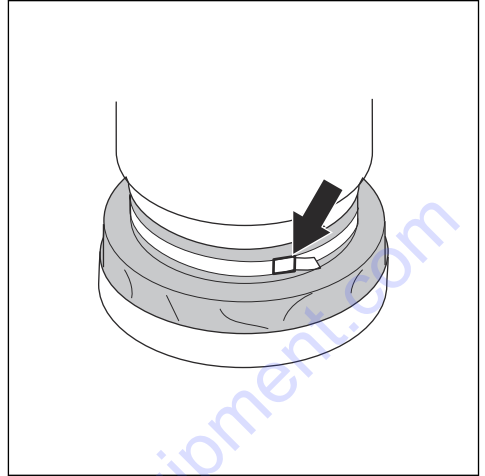


2. Attach the dust bag holder to the container by twisting it on to the holding pins.



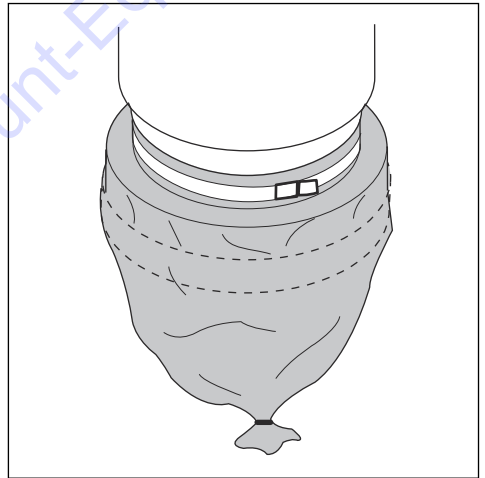
3. Pull the bag up from the bag holder and put it around the container.

4. Tighten a strap around the bag and the container to secure the bag to the container.



5. Pull the dust bag over the bag holder.

6. Close the bottom of the dust bag with a cable tie.



Troubleshooting

Troubleshooting schedule

Issue	Cause	Solution
Motor does not start	No power	Plug in machine
	Cable defective	Replace cable
	Switch defective	Replace switch
	Contactor combination defective	Replace contactor combination
	Phase error (red lamp lights up)	Switch 2 phases
Motor stops immediately after starting	Wrong fuse	Connect to correct fuse
	Shortcut in cable/machine	Order service
Motor runs but there is not suction	Hose not connected	Connect hose
	Hose blocked	Clean hose
	No dust collection bag	Fit dust collection system
Motor runs but there is poor suction	Hole in hose	Replace hose
	Filter clogged	Clean filter/ Replace filter
	Loose top cover	Adjust
	Dirt in the flap	Clean the flap
	Defective gaskets	Replace affected gaskets
Dust blown from motor	Wrongly assembled or damaged filter system	Adjust/ Replace filters
Abnormal noise		Order service

Transportation, storage and disposal

Transportation of the product

- Make sure that the Longopac bag is empty before a transportation.
- Make sure that the Longopac bag is attached to the product during transportation.
- Use ramps or winches to lift the dust extractor to make sure that movements are safe. Get aid if you are not sure about how to lift heavy equipment.
- Attach the product safely during transportation in order to prevent transport damage and accidents. Use the tie down lugs on both sides of the product.
- Engage the locking caster safely on the wheels.
- If possible, do the transportation of the product during good weather conditions.

- If possible, use a closed vehicle during transportation of the product.

Storage of the product

- The product must be stored inside away from outdoor elements.
- Do not expose the product to rain or moisture.
- Attach the locking casters safely.
- Disconnect the product from the power source.
- Store the product and the equipment in a dry area with no frost or excessive heat.
- Store all equipment in an locked area, so that it is out of reach of children and unauthorized persons.

Technical data

Technical data

Data	T 7500
Voltage (3 phase), V	380-415
Frequency, Hz	60
Power (max), kW (HP)	7.5 (10)
Max load electrical outlet, A	60
Airflow (max), m ³ /h (cfm)	600 (353)
Vacuum (max), kPa (psi)	28 (110)
Main hose, m (ft)	10 (32)
Inlet diameter, mm (in.) Camlock	76 (3)
Pre-filter, %	>99.5%@1um
Pre-filter area, m (in.)	2.9 (31.2)
Hepa filter 99.99%@0.3um	2
Total Hepa filter area, m ² (ft ²)	5 (53.8)
Sound level, dB(a)	74
Dust collection system, type	Longopac
Dimensions (L*W*H) mm (in.)	1245x686x1753 (49.1x27.1x69.1)
Weight, kg (lbs)	209 (460)

Conteúdo

Introdução.....	13	Manutenção.....	18
Segurança.....	15	Solução de problemas.....	21
Montagem.....	17	Transporte, armazenamento e descarte.....	22
OPERAÇÃO.....	17	Dados técnicos.....	23

Introdução

Descrição do produto

O produto é um extrator de pó com uma mangueira de sucção. O ar com poeira é sugado para dentro de uma válvula de entrada através da mangueira de sucção. O ar diminui de velocidade por um ciclone, fazendo com que as partículas de poeira se separem do ar.

Partículas pequenas de poeira e ar passam por um sistema de 2 filtros. Partículas grandes de poeira são coletadas no ciclone e caem pela aba inferior em um saco plástico.

Uso previsto

O produto é usado para limpar áreas de construção, coletando pó seco e não inflamável em ambientes internos.

O produto pode ser conectado a equipamentos de preparação de superfície médios e grandes, como esmerilhadeiras.

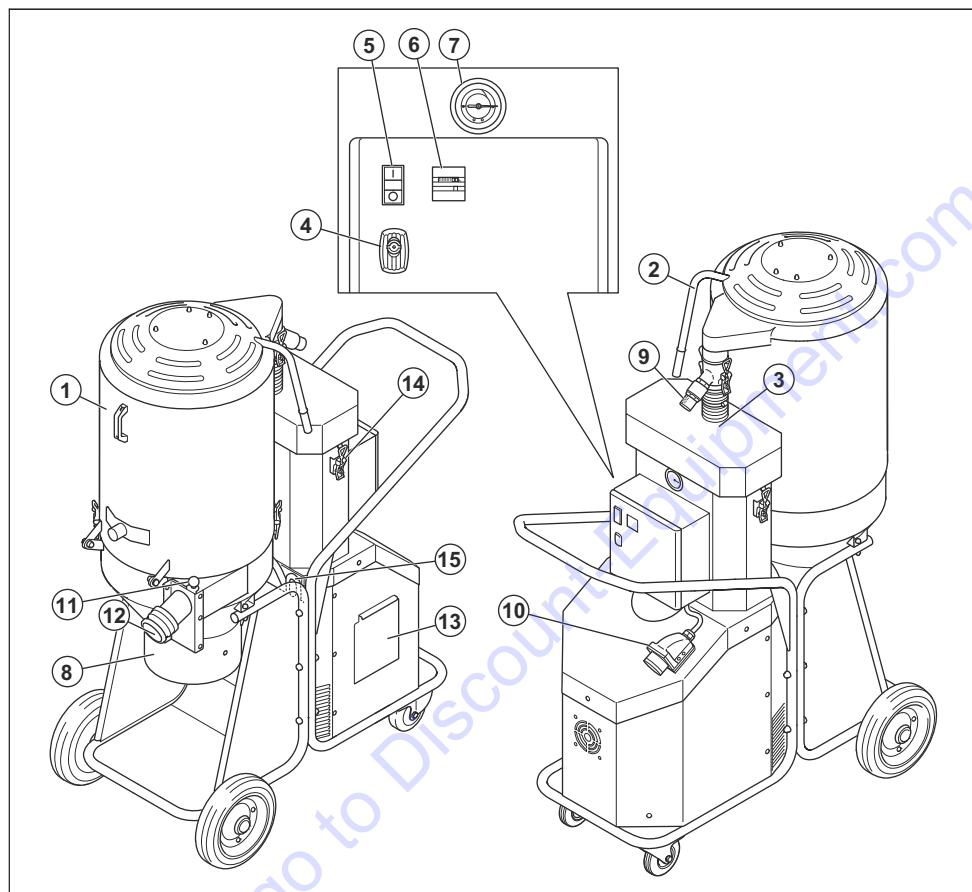
O produto destina-se ao uso comercial, por exemplo, em hotéis, escolas, hospitais, fábricas, lojas, escritórios e empresas de locação

Observação: O valor do limite de explosão para não inflamável é $> 0,1\text{mg/m}^3$.

Sistema de armazenamento de poeira

Todos Husqvarna T-Line Dust Extractor devem ser usados com Longopac. Só troque Longopac depois que o ciclo de limpeza do filtro tiver sido concluído.

Visão geral do produto T 7500



1. Pré-filtro
2. Alça de pulso de jato
3. Hepa filter
4. Travar na caixa de eletricidade
5. On/Off
6. Horímetro
7. Manómetro
8. Longopac Ligação
9. Travar na caixa de eletricidade
10. Entrada de tomada com conversor de fase
11. Válvula de entrada
12. Entrada
13. Tapa de utilidade
14. Ativar ou desativar o fixador
15. Fixação da roda 2X

Símbolos no produto



Leia atentamente o manual do operador e certifique-se de que tenha entendido as instruções antes de usar o produto.



Use uma máscara de respiração aprovada.



Use sempre proteção auricular aprovada.



Use sempre proteção auricular aprovada.

Responsabilidade legal do produto

Como mencionado na legislação de responsabilidade do produto, não somos responsáveis por danos causados pelo nosso produto caso:

- o produto seja reparado incorretamente.
- o produto seja reparado com peças que não sejam da marca do fabricante ou aprovadas pelo fabricante.
- o produto tenha um acessório que não seja da marca do fabricante ou não seja aprovado pelo fabricante.
- o produto não seja reparado em um centro de atendimento aprovado ou por uma autoridade aprovada.

Segurança

Definições de segurança

Avisos, cuidados e observações são utilizados para chamar a atenção para partes especialmente importantes do manual.



AVISO: Utilizado se existir um risco de ferimentos ou morte para o operador ou a terceiros se as instruções no manual não forem respeitadas.



CUIDADO: Utilizado se existir um risco de danos para o produto, outros materiais ou para a área adjacente, se as instruções no manual não forem respeitadas.

Observação: Utilizados para conferir mais informações necessárias em uma determinada situação.

Instruções gerais de segurança



AVISO: Antes de usar o produto, leia as instruções de aviso que seguem.

- Sempre tenha cuidado e use o bom senso. Caso esteja em uma situação em que não se sinta seguro, pare e procure orientação de um especialista. Entre em contato com seu revendedor, agente de serviço ou usuário com experiência. Não tente realizar qualquer tarefa se tiver dúvidas de como utilizar a máquina!
- Leia o manual do utilizador com toda a atenção e compreenda o seu conteúdo antes de utilizar o produto. Guarde todos os avisos e as instruções para consulta futura.
- Certifique-se de ler e compreender as instruções do manual do produto principal, para garantir que você sabe que equipamento pessoal vestir, os equipamentos de segurança a serem usados e como trabalhar de modo seguro.
- Tenha em mente que você, o operador, é responsável por não expor pessoas ou sua propriedade a acidentes ou riscos.

- O produto pode ser uma ferramenta perigosa se usado de forma descuidada ou incorreta, causando ferimentos graves ou ferimentos mortais ao operador ou a outras pessoas.
- O produto deve ser mantido limpo. Sinais e adesivos deve estar totalmente legíveis.
- Este produto não é destinado para uso por pessoas (incluindo crianças) com capacidades físicas, sensoriais ou mentais reduzidas, ou sem experiência e conhecimento.
- Mantenha crianças e pessoas não autorizadas longe do produto quando em uso.
- Os operadores devem ser adequadamente instruídos sobre o uso do produto.
- Nunca use o produto se estiver cansado, sob o efeito de álcool ou drogas, medicamentos ou qualquer coisa que possa afetar sua visão, consciência, coordenação ou capacidade de julgamento.
- Não manuseie o plugue ou o produto com as mãos molhadas.
- Nunca utilize um produto se estiver com defeito. Realize as verificações de segurança, manutenção e serviço descritas neste manual. Algumas medidas de manutenção e serviço devem ser efetuadas por especialistas treinados e qualificados. Consulte as instruções no *Manutenção na página 18*.

Segurança no manuseio de instruções



AVISO: Antes de usar o produto, leia as instruções de aviso que seguem.

- O coletor de poeira é equipado com um protetor térmico para impedir o superaquecimento do motor. Se o protetor térmico for ativado, desligue a máquina, desconecte o fio de alimentação e verifique se a bolsa de pó está cheia, ou se há entupimento da mangueira de vácuo ou do filtro. Pode demorar até 45 minutos para o protetor térmico ser redefinido.
- Antes de usar a máquina, certifique-se de que a alimentação e a tensão correspondam com a tensão mostrada na plaqueta da máquina.

- Conecte-a somente a uma tomada adequadamente aterrada. Consulte *Instruções de aterramento na página 17*.
- A conexão imprópria do condutor de aterramento do equipamento pode resultar em um risco de choque elétrico. Verifique com um electricista qualificado ou pessoal em serviço caso tenha dúvidas sobre se a tomada está adequadamente aterrada. Se ele não for compatível com a tomada, instale uma tomada adequada com um electricista qualificado.
- Se estiver usando uma extensão, certifique-se de que a classificação do fio seja adequada para esta máquina.
- Cabos danificados por esmagamento ou divisão podem ser perigosos se utilizados e devem ser substituídos imediatamente.
- Não use a máquina se o fio elétrico ou o plugue estiver danificado. Se a máquina não estiver funcionando como deveria, tiver caído, sido danificada, deixada em área externa ou caído na água. Para evitar riscos, certifique-se de que ela seja reparada por uma pessoa qualificada.
- Inspeção regularmente o fio e o plugue quanto a danos. Não use a máquina se o fio elétrico ou o plugue estiver danificado.
- Não puxe ou transporte a máquina pelo fio, não use o fio como alça, não feche uma porta sobre ele, nem o puxe sobre bordas ou cantos afiados. Não permita que o equipamento passe por cima das cordas. Mantenha o fio afastado das superfícies aquecidas.
- Não desconecte puxando o fio. Para desconectar, segure pelo plugue.
- Não deixe a máquina sozinha conectada. Desconecte a tomada quando não estiver usando a máquina, bem como antes de limpar ou fazer manutenção.

- Tenha cuidado. Os fechos podem machucar o operador durante a montagem do produto.

Instruções de segurança para operação



AVISO: Antes de usar o produto, leia as instruções de aviso que seguem.

- O produto não deve ser utilizado em ambientes em que gases explosivos possam estar presentes. Isso representará um sério risco de explosão.
- Não pegue nada que esteja queimando ou soltando fumaça, tais como cigarros, fósforos ou cinzas quentes.
- Não use a máquina para coleta de líquidos inflamáveis ou combustíveis, tais como gasolina, nem a utilize em áreas onde estes possam estar presentes.
- Não permita que leva a uma acumulação de pó, cabelo e tudo o que pode reduzir o fluxo.
- Mantenha cabelos, roupas folgadas, dedos e todas as partes do corpo distantes de aberturas e peças móveis.
- Não use a máquina sem coletor de poeira e/ou os filtros instalados. Substitua o sistema de coleta e/ou os filtros, conforme descrito no manual.



CUIDADO: Esta máquina foi concebida para apanhar seca e não poeiras altamente inflamáveis e resíduos em um ambiente interno. Não são adequados para recolher líquidos.



CUIDADO: Este produto se destina somente a uso interno somente.



CUIDADO: Este produto deve ser armazenado somente em ambientes internos.

Instruções de segurança para montagem



AVISO: Antes de montar o produto, leia as instruções de aviso que seguem.

- Desligue todos os controles antes de desconectar. Não desconecte puxando o fio. Para desconectar, segure pelo plugue.
- Modificações e/ou acessórios não autorizados podem originar ferimentos graves ou morte do usuário ou de outras pessoas.
- Use sempre acessórios originais.
- Use-a somente conforme descrito neste manual. Use somente os acessórios recomendados pelo fabricante.
- Certifique-se de que a área de montagem seja firme, de forma que o aspirador não tombe. Risco de danos pessoais e materiais.

Equipamento de Proteção Individual



AVISO: Antes de usar o produto, leia as instruções de aviso que seguem.

- Utilize sempre proteção pessoal aprovado durante o funcionamento. O equipamento de proteção individual não evita totalmente ferimentos, mas diminui o grau do ferimento em caso de acidente. Falar com assistência técnica para recomendações sobre o equipamento a utilizar.
- Risco de dispersão de poeira - Use equipamentos individuais. Poeira prejudicial pode ser espalhada durante a troca do filtro. Assim, o usuário deve usar

óculos de proteção, luvas de proteção e uma máscara de respiração em conformidade com a classe de proteção FFP3.

- A exposição prolongada a ruídos pode resultar em danos permanentes à audição. Use sempre proteção auricular aprovada. Você deverá escutar sinais de aviso ou gritos quando estiver usando a proteção auricular. Sempre remova sua proteção auricular assim que o motor parar.
- Utilize luvas de proteção aprovadas quando a manutenção do produto.

- Certifique-se de que o motor está na posição desligada. Desligue o produto da tomada de parede.
- Não altere as características originais da máquina.
- Todos os reparos devem ser realizados por um técnico de serviço qualificado. Use somente peças de reposição fornecidas pelo fabricante ou equivalente.
- Use luvas de proteção aprovadas. Consulte a *Equipamento de Proteção Individual na página 16*
- Não faça um furo no Hepa filter. Um partido Hepa filter pode dispersar as poeiras.

Instruções de segurança para manutenção



AVISO: Antes de usar o produto, leia as instruções de aviso que seguem.

Montagem

Introdução



CUIDADO: Use somente o cabo de extensão com o valor nominal correto para

este produto. Conecte somente a uma tomada que esteja corretamente aterrada.



CUIDADO: Limpe sempre o pré-filtro antes de substituir o saco de recolha sistema.

OPERAÇÃO

Antes do uso:



AVISO: Antes de usar a máquina, certifique-se de que a alimentação e a tensão correspondam com a tensão mostrada na plaqueta da máquina.

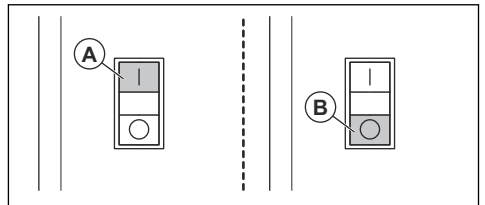
Para iniciar e parar

Pressione o botão verde (A) para iniciar o extrator de pó.

Pressione o botão vermelho (B) para interromper o extrator de pó.



AVISO: Conecte-a somente a uma tomada adequadamente aterrada. Consulte a *Instruções de aterramento na página 17*



Instruções de aterramento



AVISO: O coletor de poeira deve ser aterrado. Se ele apresentar falha ou quebra, o aterramento assegura um caminho de menos resistência para a corrente elétrica, reduzindo o risco de choque. O coletor de poeira é equipado com um fio que inclui um condutor de aterramento e o plugue de aterramento. O plugue deve ser inserido em uma tomada apropriada e adequadamente instalada e aterrada de acordo com todos os códigos locais e a legislação em vigor.

Conversor de fase

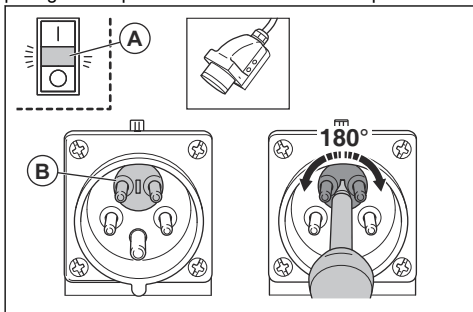
Observação: Não aplicável a variantes vendidas na Austrália ou Nova Zelândia.



AVISO: O trabalho elétrico deve ser feito por um electricista aprovado.

Se a lâmpada vermelha (A) entre o botão vermelho e o verde acender, há um erro de fase. Trocar 2 das fases

para redefinir (B). Esta é uma medida de segurança para garantir que a bomba não comece a soprar.



Manutenção

Introdução



AVISO: Utilize equipamento de segurança pessoal, consulte a *Equipamento de Proteção Individual na página 16*, durante o serviço. Poeira possa ser exposto durante a manutenção e assistência.



máquina. Previna acidentes mantendo-se alerta e planeando e preparando o trabalho.

AVISO: O motor deve ser desligado durante as operações descritas neste capítulo, a menos que seja indicado o contrário.



AVISO: A maioria dos acidentes que envolvem máquinas ocorre durante uma resolução de problemas, assistência e manutenção como têm para localizar a si próprias dentro da área de risco da



AVISO: Todas as verificações que envolvem os componentes eléctricos deverão ser efectuadas apenas por um electricista autorizado.

Cronograma de manutenção

Os intervalos de manutenção são calculados com base no uso diário do produto. Os intervalos mudam se o produto não é usado diariamente.

Manutenção	ANTES DE CADA USO	Diariamente	Semanalmente	Quando é de sucção baixa	6 meses ou 1000h	12 meses ou 2000h
Verifique se há sinais de desgaste, danos ou ligações soltas dos controlos antes de a unidade está ligada.	X					
Verifique se o Longopac está correto.		X				
Verifique os dispositivos de segurança regularmente.		X				
Faça uma verificação do nível do óleo. Procure danos e de más ligações.			X			
Limpe o bico.				X		

Manutenção	ANTES DE CADA USO	Diariamente	Semanalmente	Quando é de sucção baixa	6 meses ou 1000h	12 meses ou 2000h
Substituição das lâminas				X	X	
Substitua o Hepa filter				X		X

Para limpar o extractor de poeiras

É importante limpar o extractor de poeiras para evitar a circulação de perigoso pó. Limpe sempre o extractor de poeiras antes de este é movido da área de trabalho.



AVISO: Rode o interruptor do motor para a posição de desligado e desligue o fio da tomada de parede antes de limpar ou fazer a manutenção do produto.

- Todos os outros equipamentos devem ser consideradas como contaminados e tratados depois disso.
- Todas as peças que estiverem contaminados após um serviço têm de ser eliminado num procedimento correcto em sacos de plástico. Consulte com as normas locais.
- Use o equipamento de proteção individual correto ao operar o produto. Consulte *Equipamento de Proteção Individual na página 16*.
- Limpe a superfície externa com um pano úmido.
- Limpe os filtros e o extractor de poeiras na área aplicável.
- Aspire o pré-filtro por dentro. Use sempre coletores de poeira com Hepa filter e uma escova macia para não danificar o filtro.
- Não jogue água nos componentes elétricos.
- Não limpe o extractor de poeiras com alta pressão (ar ou água).
- Não coloque as ferramentas sobre a superfície do filtro, pode causar danos ao filtro.
- Não faça um furo em Hepa filter, pode causar um risco para a saúde.

TROCA DE FILTRO



AVISO: Utilize equipamento de segurança pessoal, consulte a *Equipamento de Proteção Individual na página 16*, durante a mudança de filtro. Pó pode sair durante a mudança de filtro.



AVISO: Desligue sempre o motor de ignição na posição desligada e desligue o fio da tomada de parede durante a mudança de filtro.

Para limpar o pré-filtro

O filtro deve ser limpo regularmente. Isso deve ser feito antes de trocar o sistema de coleta da bolsa e também

deve ser feito quando o trabalho for concluído ou quando houver problemas de sucção.



CUIDADO: Evite bater ou arrastar itens pela superfície do filtro, pois isso danificará o filtro.



CUIDADO: Não use água para limpar os filtros.

1. Durante a execução do extractor de poeiras, vedade de entrada utilizando a ficha de entrada ou a válvula de entrada.
2. Deixe o extractor de poeira acumular vácuo durante 5 segundos e depois pressione rapidamente e mantenha o jato na alça de pulso durante 5 segundos.
3. Repita o passo 2 cinco vezes. É importante deixar o extractor de poeira reconstruir o vácuo entre cada repetição.
4. Se a sucção permanecer ruim, o pré-filtro precisa ser substituído. Substitua apenas saco de plástico depois de limpar o filtro.

O pré-filtro

Use apenas filtros Husqvarna. O desempenho e a eficiência de filtragem só podem ser garantidos com filtros originais.



AVISO: Não substitua somente um tubo. Se um estiver quebrado, é necessário substituir o filtro completo.

Para trocar o pré-filtro

1. Solte as travas entre o tanque e o ciclone inferior.
2. Solte os 2 fixadores na conexão da mangueira entre o tanque e Hepa filter a tampa.
3. Gire o tanque para a frente.
4. Gire a placa do filtro 10 graus no sentido anti-horário e gire cuidadosamente o filtro e o suporte de cabeça para baixo.
5. Coloque um saco plástico sobre a unidade do filtro.
6. Levante o filtro cuidadosamente na bolsa e feche-o. A bolsa deve ser descartada. Consulte a regulamentos locais de descarte.
7. Insira um novo conjunto de filtro completo na ordem inversa.

Para alterar o Hepa filter



CUIDADO: Não limpe o Hepa filter tentar limpar um Hepa filter irá destruí-lo. Ao instalar o filtro sobressalente, tome cuidado para não tocar na parte interna do filtro. Qualquer tipo de força/danos no interior do meio do filtro destruirá o novo filtro.



CUIDADO: Não toque na superfície interna do filtro ao instalar uma peça de reposição Hepa filter. Danos à superfície interna do filtro podem torná-lo inútil.

1. Solte os fixadores na tampa do filtro e remova-a.
2. Levante cuidadosamente o filtro em um saco plástico limpo.

Observação: Este saco deve ser descartado adequadamente.

3. Insira um novo filtro na ordem inversa.

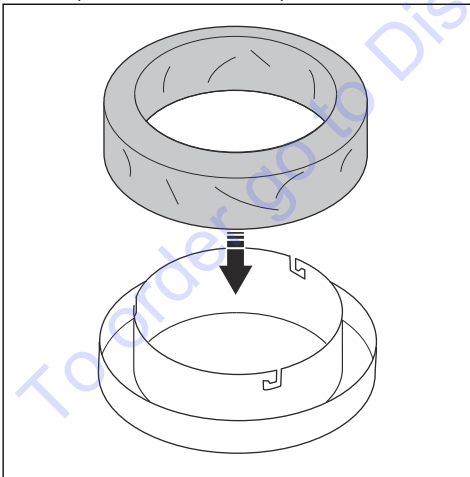
Para montar um novo saco Longopac:



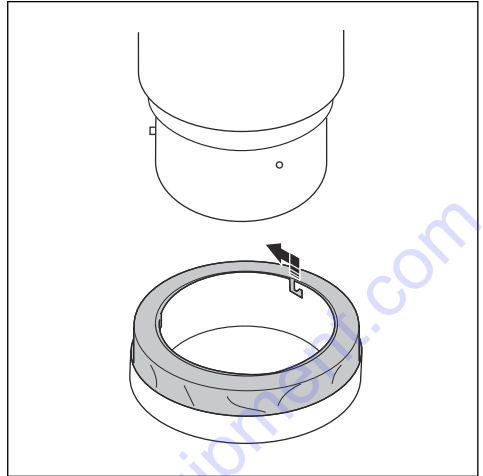
AVISO: Limpe sempre o pré-filtro antes de substituir o saco de recolha sistema.

Observação: Extractor de poeiras tem Longopac sistema.

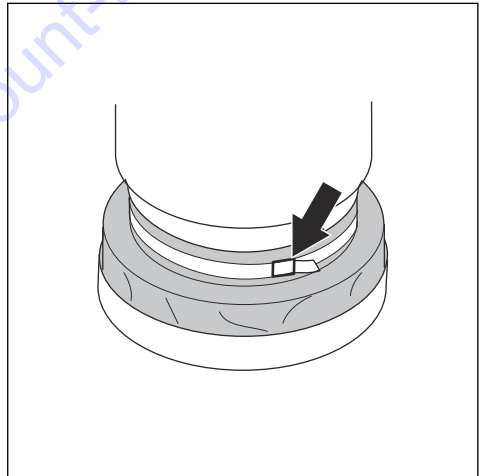
1. Coloque o saco de filtro no suporte.



2. Prenda o suporte do saco para o recipiente de arranque torcendo-na exploração pinos.

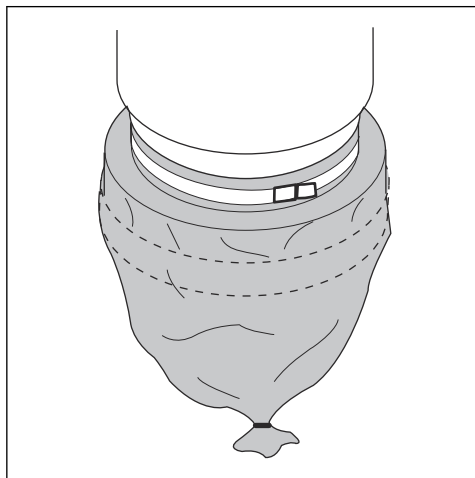


3. Puxe o saco do respectivo suporte e coloque em torno do recipiente.
4. Aperte a braçadeira que rodeia o saco e o recipiente para fixar o saco do recipiente.



5. Puxe o saco de filtro sobre o suporte do saco.

6. Feche o fundo do saco de filtro com uma braçadeira de cabos.



Solução de problemas

Lista de solução de problemas

Problema	Causa	Solução
O motor não dá partida	Sem energia	Conecte a máquina na tomada
	Fio com defeito	Substitua o fio
	Interruptor com defeito	Substitua o interruptor
	Combinação do contator defeituosa	Substitua a combinação do contator
	Erro de fase (lâmpada vermelha acende)	Substitua duas fases
Motor para imediatamente após a partida	Fusível errado	Conecte ao fusível correto
	Corte no fio/máquina	Solicitar manutenção
O motor funciona, mas não há sucção	Mangueira não conectada	Conecte a mangueira
	Mangueira bloqueada	Limpe a mangueira
	Sem bolsa de coleta de poeira	Encaixe o sistema de coleta de poeira
O motor funciona, mas não há sucção	Furo na mangueira	Substitua a mangueira
	Filtro entupido	Limpe o filtro/substitua o filtro
	Tampa superior solta	Ajuste
	Sujeira na aba	Limpar a aba
	Juntas com defeito	Substitua as juntas defeituosas

Problema	Causa	Solução
Poeira soprada do motor	Sistema de filtro montado incorretamente ou danificado	Ajuste/substitua filtros
Ruído anormal		Solicitar manutenção

Transporte, armazenamento e descarte

Armazenagem do produto

- Certifique-se de que o Longopac saco está vazio antes de um transporte
- Certifique-se de que o Longopac saco está ligada ao produto durante o transporte.
- Utilize rampas ou guinchos para levantar o extractor de poeiras para se certificar de que os movimentos são seguros. Receber uma ajuda se não tiver a certeza sobre como levantar componentes pesados equipamento.
- Fixe o produto durante o transporte de modo a evitar danos e acidentes. Use as alças de fixação em ambos os lados do produto.
- Engate o bloqueio de forma segura de rodízio nas rodas.
- Se possível, faça o transporte do produto durante o bom das condições meteorológicas.
- Se possível, utilize um dos veículos fechados durante o transporte do produto.

Armazenagem do produto

- As unidades devem ser armazenadas em ambiente interno, à distância de elementos externos.
- Não exponha a máquina a chuva ou umidade.
- Fixe o parafuso de bloqueio rodízios em segurança.
- Desligue o produto da fonte de alimentação.
- Armazene o produto e o equipamento numa área seca e sem gelo ou calor excessivo.
- Armazene o equipamento em uma área fechada, fora do alcance de crianças e pessoas não autorizadas.

Armazenagem do produto

- Respeite os requisitos locais de reciclagem e as regulamentações aplicáveis.
- Quando o produto não for mais utilizado, envie-o para um Husqvarna revendedor ou descarte-o em um local para reciclagem.

Dados técnicos

Dados técnicos

Dados	T 7500
Tensão (3 fases), V	380-415
Frequência, Hz	60
Potência (máx.), kW (hp)	7,5 (10)
Carga elétrica máxima tomada, A	60
Fluxo de ar (máx.), m ³ /h (cfm)	600 (353)
Aspirador (máx.), kPa (psi)	28 (110)
Mangueira principal, m (pés)	10 (32)
Diâmetro de entrada, mm (in.) Camlock	76 (3)
Pré-filtro, %	>99,5% a 1um
Área pré-filtro, m (pol.)	2,9 (31,2)
Hepa filter 99,99% a 0,3um	2
Área total Hepa filter, m ² (pés ²)	5 (53,8)
Nível de som, dB(a)	74
Sistema de coleta de poeira Longopac	Longopac
Dimensões (L W*H), mm (pol.)	1245x686x1753 (49,1x27,1x69,1)
Peso, kg (lbs)	209 (460)

المحتويات

28	الصيانة.....	24	مقدمة.....
32	استكشاف الأخطاء وإصلاحها.....	26	السلامة.....
32	النقل والتخزين وطريقة التخلص من المنتج.....	28	التجميع.....
33	البيانات الفنية.....	28	التشغيل.....

مقدمة

وصف المنتج

إن المنتج مخصص للاستخدام التجاري على سبيل المثال، في الفنادق والمدارس والمستشفيات والمصانع والمتاجر والمكاتب وشركات التأجير

ملاحظة: تبلغ قيمة حد الانفجار للغبار غير القابل للاشتعال < 0,1 مجم/م³.

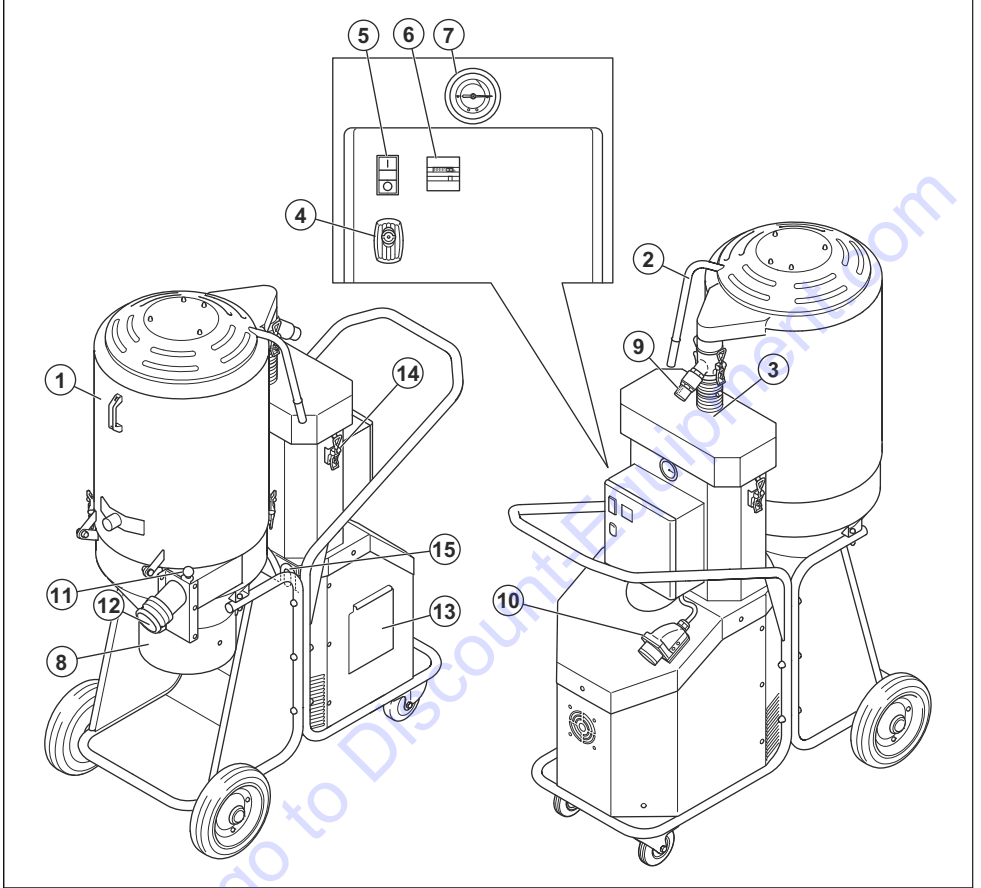
نظام تخزين الغبار

يجب استخدام جميع طرز Husqvarna T-Line Dust Extractor مع Longopac. ما عليك سوى تغيير Longopac بعد إكمال دورة تنظيف المرشح.

المنتج هو وحدة إزالة غبار مزودة بخراطوم شفط. يتم شفط الهواء المحمل بالغبار في صمام مدخل من خلال خراطوم الشفط. تقل سرعة الهواء بواسطة فرازة مخروطية ما يتسبب في فصل دقائق الغبار بعيداً عن الهواء. وتمر دقائق الغبار الصغيرة والهواء خلال نظام يتكون من مرشحين. تتجمع دقائق الغبار الكبيرة في فرازة مخروطية وتسقط من خلال القلاب السفلي في كيس بلاستيكي.

الغرض من الاستخدام

يُستخدم المنتج لتنظيف مناطق البناء عن طريق جمع الغبار الجاف وغير القابل للاشتعال في البيئات الداخلية. ويمكن توصيل المنتج بمعدّات تجهيز السطح متوسطة وكبيرة الحجم مثل الجلاخات.



الرموز الموجودة على المنتج

يرجى قراءة دليل المشغل بعناية والتأكد من فهم الإرشادات قبل استخدام المنتج.



استخدم دائماً قناع تنفس معتمداً.



استخدم دائماً معدات معتمدة لحماية الأذن.

1. المرشح المسبق
2. مقبض المحرك النفاث النبضي
3. Hepa filter
4. صندوق تأمين الكهرباء
5. تشغيل/إيقاف التشغيل
6. عداد الساعات
7. المانومتر
8. وصلة Longopac
9. صمام تحرير الضغط
10. مدخل مقبس مع محول مرجلي
11. صمام المدخل
12. المدخل
13. غطاء متعدد الاستخدام
14. أداة تثبيت الوصلة المفصليّة
15. مقبض الربط بالخيوط 2X



- إصلاح المنتج بطريقة خاطئة.
- إصلاح المنتج باستخدام أجزاء ليست من إنتاج الشركة المصنعة أو غير معتمدة منها.
- استخدام المنتج مع ملحق ليس من إنتاج الشركة المصنعة أو غير معتمد منها.
- عدم إصلاح المنتج في مركز خدمة معتمد أو بواسطة جهة معتمدة.

استخدم دائماً معدات معتمدة لحماية العين.

مسؤولية المنتج

وفقاً لما هو مشار إليه في قوانين المسؤولية المتعلقة بالمنتج، نحن لا نتحمل أي مسؤولية عن أي أضرار يسببها المنتج في الحالات التالية:

السلامة

- تجنب مطلقاً استخدام هذا المنتج إذا كنت تعاني من إرهاق، أو إذا كنت تحت تأثير الكحول أو المخدرات أو الأدوية أو أي شيء من شأنه أن يؤثر في قدرتك على الرؤية أو انتباهك أو تديرك أو حكمك.
- تجنب لمس القابس أو المنتج ويدك مبتلتان.
- تجنب مطلقاً استخدام المنتج إذا كان به عيب. نفذ فحوصات السلامة، وإرشادات الصيانة والخدمة الميمنة في هذا الدليل. بعض إجراءات الصيانة والخدمة يجب تنفيذها بواسطة متخصصين مدربين ومؤهلين. ارجع إلى الإرشادات الواردة في *الصيانة في الصفحة 28*.

إرشادات السلامة الكهربائية

تحذير: اقرأ الإرشادات التحذيرية التالية قبل استخدام المنتج.



- تم تجهيز وحدة إزالة الغبار بواقي أمان حراري لتفادي فرط سخونة الموتور. فعند تفعيل الواقي الحراري، أوقف تشغيل الماكينة وأفضل سلك الطاقة وتحقق من وجود كيس الغبار بالكامل وتفرغ سداة الخرطوم أو المرشح. وقد تستغرق إعادة تعيين الواقي الحراري ما يصل إلى 45 دقيقة.
- قبل استخدام وحدة إزالة الغبار، تأكد من توافق الطاقة والجهد مع الجهد الموضح على لوحة التقدير بالماكينات، بما في ذلك أسلاك التمديد.
- احرص على توصيل الماكينة بمقبس مؤرض بشكل صحيح فقط. ارجع إلى *إرشادات التأريض في الصفحة 28*.
- قد يؤدي توصيل موصل تأريض المعدات بطريقة غير صحيحة إلى التعرض لمخاطرة الصدمة الكهربائية. لذا، نتحقق مع كهربائي مؤهل أو شخص مسؤول عن الصيانة إذا كنت تشك في تأريض المقبس بشكل صحيح. تجنب تغيير القابس المرفق وإن لم يكن مناسباً للمقبس، فاطلب من فني كهرباء مؤهل تركيب مقبس مناسب.
- في حالة استخدام سلك تمديد، تأكد من ملاءمة تقدير السلك لهذه الماكينة.
- قد تمثل الكابلات التالفة خلال السحق أو الشق خطورة في حال استخدامها وينبغي استبدالها على الفور.
- تجنب استخدام الماكينة مع سلك أو قابس تالف. وإذا كانت لا تعمل على النحو المطلوب أو قد سقطت أو تم إتلافها أو تركها في الخارج أو سقطت في الماء، فاحرص على أن يصلحها شخص مؤهل لتفادي التعرض لأي خطر.
- افحص السلك والقابس بشكل منتظم للتأكد من عدم وجود تلف. تجنب استخدام الماكينة مع سلك أو قابس تالفين.
- تجنب سحب الماكينة أو حملها من السلك أو استخدامه كمقبض أو غلق الباب عليه أو شده حول حواف أو زوايا حادة. لا تجعل

تعريفات السلامة

تُستخدم التحذيرات والتنبيهات والملاحظات للإشارة إلى أجزاء مهمة للغاية من الدليل.



تحذير: يُستخدم إذا ثمة احتمال تعرّض المشغل أو المارة للإصابة أو الوفاة إذا لم يتم اتباع الإرشادات الواردة في الدليل.



تنبيه: يُستخدم إذا ثمة احتمال لتلف المنتج أو المواد الأخرى أو المنطقة المجاورة إذا لم يتم اتباع الإرشادات الواردة في الدليل.

ملاحظة: تُستخدم لإعطاء المزيد من المعلومات اللازمة في حالة معينة.

إرشادات السلامة العامة



تحذير: اقرأ الإرشادات التحذيرية قبل استخدام المنتج.

- لذلك، احرص دائماً على توخي الحذر واستخدام فطنتك السليمة. إذا تعرضت لموقف تشعر فيه بعدم الأمان، فتوقف واطلب النصح من خبير اتصل بالوكيل، أو وكيل الخدمة، أو مستخدم متمرس. لا تحاول تنفيذ أي مهمة تشعر بأنك غير متأكد منها!
- اقرأ دليل المشغل بعناية وافهم الإرشادات قبل استخدام المنتج. احتفظ بجميع التحذيرات والإرشادات لاستخدامها في المستقبل.
- احرص على قراءة الإرشادات المتعلقة بدليل المنتج الأساسي وفهمها لضمان معرفة المعدات الشخصية المطلوب ارتداؤها ومعدات السلامة المقرر استخدامها وكيفية العمل بطريقة آمنة.
- ضع في اعتبارك أنك أنت - المشغل - المسؤول عن عدم تعرض الناس أو ممتلكاتهم للحوادث أو الأخطار.
- قد يكون المنتج أداة خطيرة إذا تم استخدامه بشكل غير صحيح أو بإهمال، الأمر الذي قد يؤدي إلى تعرض المشغل أو الآخرين لإصابات خطيرة أو مميتة.
- يجب الحفاظ على نظافة المنتج. يجب أن تكون العلامات والملصقات واضحة تماماً.
- هذا المنتج غير مخصص ليستخدمه أشخاص (بما في ذلك الأطفال) ذوو قدرات بدنية أو حسية أو عقلية منخفضة أو يفوترون إلى الخبرة والمعرفة.
- أبعد الأطفال والأشخاص غير المصرح لهم عن المنتج عند استخدامه.
- ينبغي توجيه المشغلين بشكل مناسب بشأن استخدام المنتج.

الماكينة تشمى على السلك. واحفظه بعيداً عن الأسطح الساخنة.

- تجنب نزع القابض عن طريق شدّ السلك. بل أمسك القابض لنزعه من المقبس.
- تجنب ترك الماكينة عند توصيلها وافصل السلك من المقبس في حالة عدم الاستخدام وقبل تنظيف الماكينة أو صيانتها.

إرشادات السلامة المتعلقة بالتجميع

تحذير: اقرأ الإرشادات التحذيرية التالية قبل تجميع المنتج.

- أوقف تشغيل جميع عناصر التحكم قبل نزع القابض. تجنب نزع القابض عن طريق شدّ السلك. بل أمسك القابض لنزعه من المقبس.
- قد تؤدي التعديلات و/أو الملحقات غير المعتمدة إلى تعرّض المستخدم أو الآخرين لإصابة خطيرة أو الوفاة.
- استخدم دائماً الملحقات الأصلية.
- استخدم الملحقات الموضحة في هذا الدليل فقط. واستخدم الملحقات التي توصي بها الجهات المصنّعة فقط.
- تأكد من ثبات منطقة التجميع، حتى لا ينقلب المنتج. وتمثل هذه مخاطر الإصابة الشخصية والمادية.
- كن حذراً، يمكن أن تتسبب أدوات تثبيت الوصلة المفصلة في إلحاق الضرر بالمشغل عند تجميع المنتج.

إرشادات السلامة المتعلقة بالتشغيل

تحذير: اقرأ الإرشادات التحذيرية التالية قبل استخدام المنتج.

- لا ينبغي استخدام المنتج في بيئات قد تتواجد فيها غازات تنسب الانفجار. فقد يتسبب هذا في حدوث انفجار خطير.
- تجنب التقاط أي شيء يحترق أو يصدر دخاناً، مثل السجائر أو أعواد النقاّب أو الرماد الساخن.
- تجنب استخدام الماكينة لالتقاط سوائل قابلة للاشتعال أو الاحتراق، مثل البنزين، أو استخدامها في مناطق قد تتواجد فيها هذه السوائل.
- لا تسمح بترامك الغبار والشعر وأي شيء قد يقلل من تدفق الهواء.
- أبعاد الشعر والملابس الفضفاضة والأصابع وجميع أجزاء الجسم عن الفتحات والأجزاء المتحركة.
- تجنب استخدام المنتج من دون وجود أكياس الغبار و/أو المرشحات في مكانها. واستبدل نظام التجميع و/أو المرشحات على النحو الموصوف في هذا الدليل.

تنبيه: تم تصميم هذه الماكينة لالتقاط الغبار الجاف غير القابل للاشتعال والمخلفات في بيئة داخلية. ولا تصلح لاستخدامها في التقاط السوائل.

تنبيه: هذا المنتج مخصص للاستخدام الداخلي فقط.

تنبيه: يجب تخزين هذا المنتج في البيئات الداخلية فقط.

معدات الوقاية الشخصية

تحذير: اقرأ الإرشادات التحذيرية التالية قبل استخدام المنتج.

- استخدم دائماً معدات الوقاية الشخصية المعتمدة أثناء التشغيل. لا توفر معدات الوقاية الشخصية الكاملة، ولكنها تقلل من درجة الإصابة في حالة وقوع حادثة. تحدث مع وكيل الخدمة لديك للحصول على توصيات بشأن المعدات التي يجب استخدامها.
- مخاطر تبعثر الغبار - استخدام معدات السلامة الشخصية. قد ينتشر الغبار الضار بالصحة أثناء تغيير المرشح. ومن ثم ينبغي أن يرتدي المستخدم نظارات وقفازات واقية وقناع تنفس بطابق فئة الحماية FFP3 (قناع الوجه ذو المرشح 3).
- يمكن أن يؤدي التعرض للضوضاء لفترة طويلة إلى ضعف دائم في السمع. استخدم دائماً معدات معتمدة لحماية السمع. أصغ إلى إشارات التحذير أو الصيحات عندما تكون مرتدياً معدات حماية السمع. أزل دائماً معدات حماية السمع بمجرد توقف المحرك.
- استخدم قفازات الوقاية المعتمدة عند صيانة المنتج.

إرشادات السلامة المتعلقة بالصيانة

تحذير: اقرأ الإرشادات التحذيرية التالية قبل استخدام المنتج.

- تأكد من أن مفتاح المحرك في وضع إيقاف التشغيل. افصل المنتج عن مقبس الحائط.
- تجنب تغيير المنتج عن تصميمه الأصلي.
- يجب إجراء جميع الإصلاحات على يد مسؤول صيانة مؤهل. واستخدم قطع الغيار الواردة من الجهة المصنّعة فقط أو المماثلة لها.
- استخدم معدات الوقاية المعتمدة. ارجع إلى *معدات الوقاية الشخصية في الصفحة 27*.
- تجنب الثقب في Hepa filter. يمكن أن يؤدي كسر Hepa filter إلى انتشار الغبار.

التجميع

مقدمة

تنبيه: نظّف دائماً المرشح المسبق قبل تغيير نظام تجميع الكيس.



تنبيه: استخدم كابل التمديد فقط مع القيمة المصنفة لهذا المنتج. يجب التوصليل بمخرج مؤرض بصورة جيدة فقط.



التشغيل

قبل الاستخدام

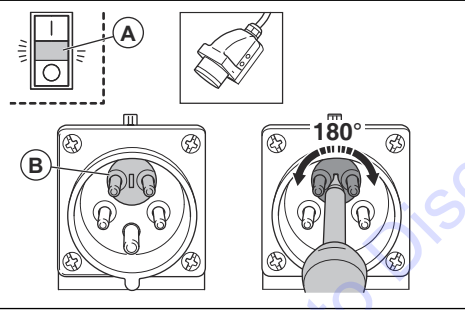
المحول المرحي

ملاحظة: لا ينطبق على المتغيرات التي تُباع في أستراليا أو نيوزيلاند.

تحذير: يجب أن يقوم بالأعمال الكهربائية فني كهربائي معتمد.



إذا كان المصباح الأحمر (A) بين الزرين الأحمر والأخضر مضاءً، فهذا يعنى وجود خطأ في المرحلة. قم بتبديل مرحلتين لإعادة تعيينهما (B). هذا إجراء آمنى للتأكد من عدم بدء المضخة في النفخ.



تحذير: قبل استخدام وحدة إزالة الغبار، تأكد من توافق الطاقة والجهد مع الجهد الموضح على لوحة التقدير بالماكينات، بما في ذلك أسلاك التمديد.



تحذير: احرص على توصيل الماكينة بمقبس مؤرض بشكل صحيح فقط. ارجع إلى إرشادات التأسيس في الصفحة 28



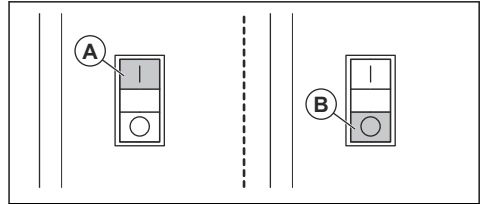
إرشادات التأسيس

تحذير: ينبغي تأسيس وحدة إزالة الغبار. وفي حالة وجود خلل أو عطل بها، يوفر التأسيس مسارا بأقل درجة مقاومة للتيار الكهربائي لتقليل مخاطر التعرض لصدمة كهربائية. كما أن وحدة إزالة الغبار مجهزة بسلك مزود بموصل تأريض للمعدات وقابس تأريض. ويجب إدخال القابس في مقبس مناسب تم تركيبه بشكل صحيح وتم تأريضه وفقاً لجميع القوانين والأحكام المحلية.



للتشغيل والإيقاف

اضغط الزر الأخضر (A) لبدء تشغيل وحدة إزالة الغبار.
اضغط الزر الأحمر (B) لإيقاف تشغيل وحدة إزالة الغبار.



الصيانة

مقدمة

تحذير: تقع معظم حوادث الماكينات أثناء حل المشكلات والخدمة والصيانة، إذ يتعين على طاقم العمل التواجد داخل منطقة الخطر الخاصة بالماكينة. تجنب الجوارث من خلال الحذر وتخطيط العمل وتجهيزه أيضاً.



تحذير: استخدم معدات السلامة الشخصية، ارجع إلى معدات الوقاية الشخصية في الصفحة 27 أثناء التشغيل. يمكن أن ينتشر الغبار أثناء الصيانة والخدمة.



برنامج الصيانة T-Line Dust Extractor

تُحسب الفواصل الزمنية للصيانة من الاستخدام اليومي للمنتج. وتتغير الفواصل الزمنية إذا كان المنتج لا يستخدم يوميًا.

تحذير: ينبغي إيقاف تشغيل المحرك أثناء إجراء العمليات الموضحة في هذا القسم ما لم ينص على خلاف ذلك.



تحذير: لا ينبغي إجراء كل فحوصات المكونات الكهربائية إلا بواسطة فني كهرباء معتمد.



الصيانة	قبل كل استخدام	يوميًا	أسبوعيًا	عندما يكون الشفط بطيئًا	6 أشهر أو 1000 ساعة	12 شهرًا أو 2000 ساعة
ابحث عن علامات التآكل أو التلف أو وصلات عناصر التحكم المفكوكة قبل توصيل الوحدة.	X					
تأكد من أن Longopac صحيح.		X				
تأكد من آلية تنظيف المرشح.		X				
تأكد من العجلات. ابحث عن التوصيلات التالفة أو المعيبة.			X			
نظّف المرشح المسبق.				X		
استبدل المرشح المسبق.				X	X	
استبدل Hepa filter				X		X

تغيير المرشح

تحذير: استخدم معدات السلامة الشخصية. ارجع إلى معدات الوقاية الشخصية في الصفحة 27 أثناء تغيير المرشح. يمكن أن يخرق الغبار أثناء تغيير المرشح.



تحذير: حوّل دائمًا مفتاح الموتور إلى وضع إيقاف التشغيل وأفضل السلك عن مقبس الحائط أثناء تغيير المرشح.



تنظيف المرشح المسبق

ينبغي تنظيف المرشح من وقت لآخر. وينبغي فعل هذا قبل تغيير نظام تجميع الألياف البلاستيكية وكذلك عند اكتمال العمل أو عند ضعف أداء الشفط.



تنبيه: تجنب الطرق على الأجزاء أو سحبها عبر سطح المرشح لأن هذا يتسبب في تلف المرشح.



تنبيه: تجنب استخدام الماء لتنظيف المرشحات.

1. أثناء تشغيل وحدة إزالة الغبار، أغلق المدخل باستخدام قابس المدخل أو صمام السحب.

2. اترك وحدة إزالة الغبار تكثف التفرغ لمدة 5 نوان، ثم اضغظ مع الاستمرار على مقبض المحرك النفاث النبضي لمدة 5 نوان.

لتنظيف وحدة إزالة الغبار

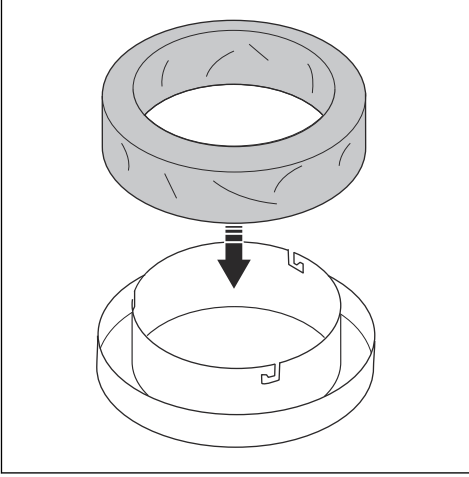
من المهم تنظيف وحدة إزالة الغبار لمنع انتشار الغبار الخطير. نظّف دائمًا وحدة إزالة الغبار قبل نقلها من منطقة العمل.

تحذير: حوّل مفتاح الموتور إلى وضع إيقاف التشغيل وأفضل السلك عن مقبس الحائط قبل تنظيف المنتج أو صيانه.

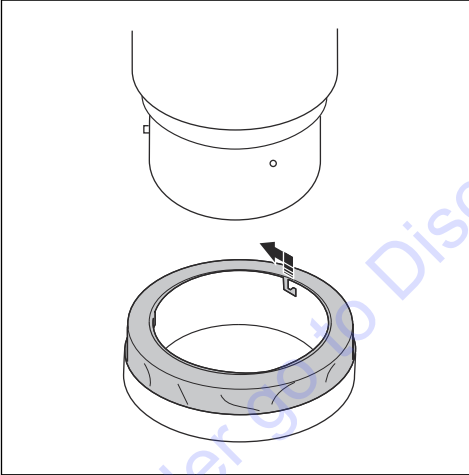


- يجب اعتبار جميع المعدات المستخدمة ملوثة ويجب معالجتها بعد ذلك.
- يجب التخلص من جميع الأجزاء الملوثة بعد الصيانة بالإجراء الصحيح في أكياس بلاستيكية. راجع اللوائح المحلية.
- استخدم المعدات الشخصية الصحيحة عند تنظيف المنتج. ارجع إلى معدات الوقاية الشخصية في الصفحة 27.
- نظّف السطح الخارجي بقطعة قماش رطبة.
- نظّف المرشحات ووحدة إزالة الغبار في منطقة مناسبة لذلك.
- أفرغ المرشح المسبق من الداخل. استخدم دائمًا وحدات إزالة الغبار مع Hepa filter وفرشاة ناعمة لعدم إتلاف المرشح.
- تجنب استخدام المياه على المكونات الكهربائية.
- تجنب تنظيف وحدة إزالة الغبار بالضغط العالي (الهواء أو الماء).
- تجنب وضع الأدوات على سطح المرشح، فيمكن أن تؤدي إلى تلف المرشح.
- تجنب التقب في Hepa filter، فيمكن أن يسبب مخاطر صحية.

1. ضع كيس الغبار في الحامل.



2. صل حامل كيس الغبار بالحاوية عن طريق لفة على مسامير التثبيت.



3. اسحب الكيس لأعلى من حامل الكيس وضعه حول الحاوية.

3. كرر الخطوة 2 خمس مرات. من المهم أن تترك وحدة إزالة الغبار تعيد تكثيف التفريغ بين كل تكرار.
4. إذا كان الشفط لا يزال ضعيفاً، فينبغي استبدال المرشح. استبدل الكيس البلاستيكي فقط بعد تنظيف المرشح.

المرشح المسبق

استخدم مرشحات Husqvarna فقط. لا يمكن ضمان كفاءة الأداء والترشيح إلا مع المرشحات الأصلية.



تحذير: تجنب استبدال أنبوب واحد فقط. وفي حالة كسر أنبوب ما، من المهم استبدال الفلتر بأكمله.

لتغيير المرشح المسبق

1. قم بفك أداتي تثبيت الوصلة المفصليّة الموجودتين بين الخزان والفرازة المخروطية السفلية.
2. قم بفك أداتي تثبيت الوصلة المفصليّة الموجودتين في وصلة الخرطوم بين الخزان وغطاء Hepa filter.
3. وبعد ذلك قم بتدوير الخزان إلى الأمام.
4. قم بتدوير لوحة المرشح في عكس اتجاه عقارب الساعة بمقدار 10 درجات واقب المرشح والحامل بعناية رأساً على عقب.
5. ضع كيساً بلاستيكياً فوق وحدة المرشح.
6. ارفع المرشح بعناية في الكيس وأغلقه. يجب التخلص من الكيس. ارجع إلى اللوائح المحلية المعنية بالتخلص.
7. ضع مجموعة مرشحات كاملة جديدة بترتيب عكسي.

لتغيير Hepa filter



تنبيه: تجنب تنظيف Hepa filter. لأن محاولة تنظيف Hepa filter ستسبب في إتلافه. وعند تركيب مرشح الاستبدال، تأكد من عدم ملامسة الجزء الداخلي للمرشح. وفي حالة ممارسة أي نوع من القوة/وجود تلف في الجزء الداخلي للمرشح، ستقوم الوسائط بتدمير المرشح الجديد.



تنبيه: تجنب ملامسة السطح الداخلي للمرشح عند تركيب Hepa filter بديل. فقد يتسبب تلف السطح الداخلي للمرشح في عدم قابليته للصيانة.

1. فك أدوات تثبيت الوصلة المفصليّة الموجودة في غطاء المرشح ثم أخرجه.
2. ارفع المرشح بعناية وضعه في كيس بلاستيكي نظيف.

ملاحظة: وينبغي التخلص من هذا الكيس بشكل مناسب.

3. أدخل مرشحاً جديداً بالترتيب العكسي.

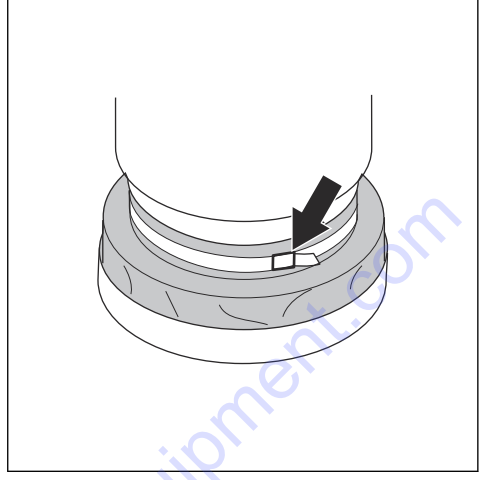
لتجميع كيس غبار Longopac جديد



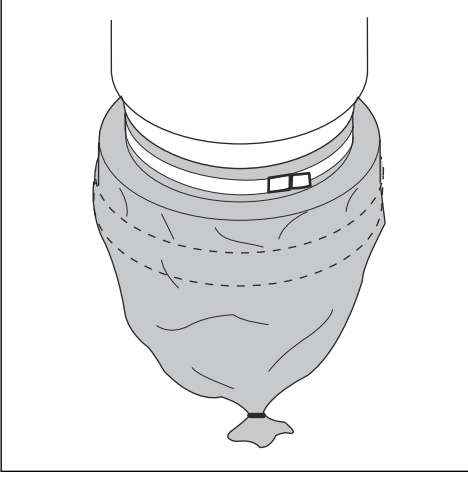
تحذير: نظّف دائماً المرشح المسبق قبل تغيير نظام تجميع الكيس.

ملاحظة: تتضمن وحدة إزالة الغبار نظام Longopac.

4. أحكم ربط شريط حول الكيس والحاوية لتثبيت الكيس في الحاوية.



5. ضع كيس الغبار على حامل الكيس.
6. أغلق الجزء السفلي من كيس الغبار برابط كابل.



To order go to Discount-Equipment.com

استكشاف الأخطاء وإصلاحها

جدول حل المشكلات

المشكلة	السبب	الحل
الموتور لم يدر	لا توجد طاقة	توصيل الماكينة
	الكابل معيب	استبدال الكابل
	المفتاح معيب	استبدال المفتاح
	مجموعة الملامس معيبة	استبدال مجموعة الملامس
يتوقف الموتور مباشرة بعد بدء التشغيل	خطأ في المرحلة (يضيء المصباح الأحمر)	قم بتبديل مرحلتين
	مصهر خاطئ	التوصيل بالمصهر الصحيح
يدور الموتور لكن لا يوجد شفط	اختصار الكابل/الماكينة	طلب الصيانة
	الخرطوم غير متصل	توصيل الخرطوم
يدور الموتور لكن الشفط ضعيف	الخرطوم مسدود	تنظيف الخرطوم
	لا يوجد كيس تجميع الغبار	تجهيز نظام تجميع الغبار
	يوجد ثقب في الخرطوم	استبدال الخرطوم
	المرشح مسدود	تنظيف المرشح/استبدال المرشح
يهب الغبار من الموتور	غطاء علوي مفكوك	ضبطه
	توجد أتربة في الغلاب	تنظيف الغلاب
	حشوات معيبة	استبدال الحشوات المعيبة
صوت ضوضاء غير عادي	نظام مرشح تالف أو تم تجميعه بطريقة خاطئة	ضبط/استبدال المرشحات
		طلب الصيانة

النقل والتخزين وطريقة التخلص من المنتج

نقل المنتج

- تجنب تعرض المنتج للمطر أو الرطوبة.
- ركب العجلات المزودة بأقفال بطريقة آمنة.
- أفضل المنتج عن مصدر الطاقة.
- خزّن المنتج والمعدات في منطقة جافة لا توجد فيها رطوبة أو حرارة مفرطة.
- خزّن كل المعدات في منطقة مقفولة، بحيث تكون بعيدة عن متناول الأطفال والأشخاص غير المخولين.
- تأكد من أن كيس Longopac فارغ قبل النقل.
- تأكد من أن كيس Longopac مرفق بالمنتج أثناء النقل.
- استخدم سلالم أو روافع لرفع وحدة إزالة الغبار للتأكد من أن الحركات آمنة. اطلب المساعدة إذا كنت غير متأكد من طريق رفع المعدات الثقيلة.
- اربط المنتج بطريقة آمنة أثناء النقل لمنع الأضرار والحوادث المرتبطة بالنقل. استخدم مقابض الربط بالخيوط على جانبي المنتج.
- قم بنعشيق العجلة المزودة بقفل بطريقة آمنة.
- إن أمكن، فانقل المنتج أثناء ظروف الطقس الجيدة.
- إن أمكن، فاستخدم مركبة مغلقة أثناء نقل المنتج.

التخلص من المنتج

- التزم بمتطلبات إعادة التدوير المحلية واللوائح المطبقة.
- في حالة عدم استخدام المنتج، أرسله إلى وكيل Husqvarna أو تخلص منه في موقع إعادة التدوير.

تخزين المنتج

- يجب تخزين المنتج بالداخل بعيداً عن العناصر الخارجية.

البيانات الفنية

البيانات الفنية

البيانات	T 7500
الفولطية (ثلاث مراحل)، بالفولط	380-415
التردد، هرتز	60
الطاقة (الحد الأقصى)، كيلوواط (حصان)	(10) 7.5
أقصى حمل للمخرج الكهربائي، أمبير	60
تدفق الهواء (الحد الأقصى)، م ³ /ساعة (قدم مكعب/دقيقة)	(353) 600
التفريغ (الحد الأقصى)، كيلوباسكال (رطل لكل بوصة مربعة)	(110) 28
الخرطوم الرئيسي، م (قدم)	(32) 10
قطر المدخل، مم (بوصة) لموصل Camlock	(3) 76
المرشح المسبق، %	<99,5 عند 1 ميكرومتر
مساحة المرشح المسبق، م (بوصة)	(31,2) 2,9
Hepa filter 99,99% عند 0,3 ميكرومتر	2
إجمالي مساحة Hepa filter، م ² (قدم ²)	(53.8) 5
مستوى الصوت، ديسيبل (أ)	74
نظام تجميع الغبار، النوع	Longopac
الأبعاد (الطول × العرض × الارتفاع)، مم (بوصة)	(69,1×27,1×49,1) 1753×686×1245
الوزن، كجم (رطل)	(460) 209

Contenido

Introducción.....	34	Mantenimiento.....	39
Seguridad.....	36	Resolución de problemas.....	42
Montaje.....	38	Transporte, almacenamiento y eliminación.....	43
Funcionamiento.....	38	Datos técnicos.....	44

Introducción

Descripción del producto

Este producto es un extractor de polvo con una manguera de aspiración. El aire con polvo se aspira a través de la manguera de aspiración y llega a una válvula de admisión. La velocidad del aire se reduce mediante un ciclón que provoca la separación de las partículas de polvo del aire. Las partículas de polvo más pequeñas y el aire pasan a través de un sistema de 2 filtros. Las partículas de polvo de mayor tamaño se recogen en el ciclón y se precipitan hacia una tapa situada en la parte inferior que descarga el contenido en una bolsa de plástico.

Uso previsto

El producto se utiliza para labores de limpieza en trabajos de construcción; permite recoger polvo no inflamable y seco en recintos cerrados.

El producto puede conectarse a equipos de tratamiento superficial de tamaño medio y grande como, por ejemplo, una amoladora.

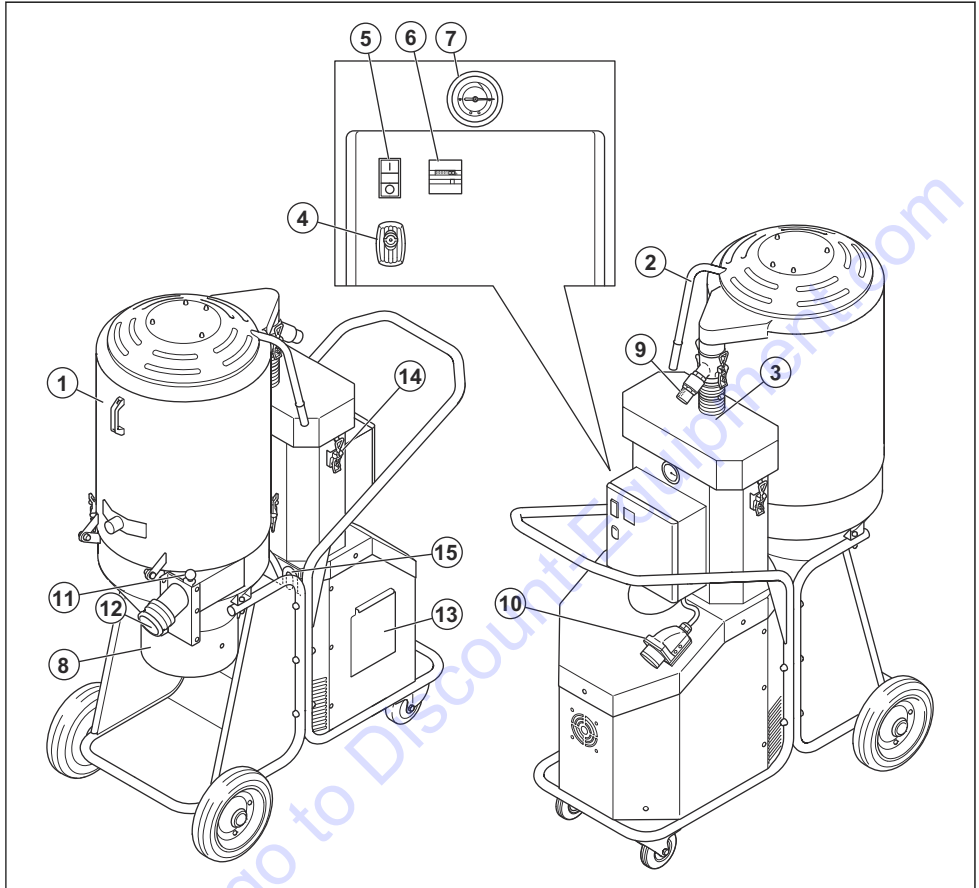
El producto se ha diseñado para uso comercial, por ejemplo, en hoteles, centros educativos, hospitales, fábricas, oficinas y negocios de alquiler.

Nota: El límite de explosividad para el polvo no inflamable es $>0,1 \text{ mg/m}^3$.

Sistema de acumulación de polvo

Todos los extractores de polvo Husqvarna T-Line deben utilizarse con Longopac. Longopac solo se debe cambiar una vez que se haya terminado el ciclo de limpieza.

Descripción del producto T 7500



1. Prefiltro
2. Asa Jet Pulse
3. Hepa filter
4. Bloqueo de la caja eléctrica
5. On/Off
6. Contador de horas
7. Manómetro
8. Conexión Longopac
9. Válvula de descarga de la presión
10. Toma de corriente con convertidor de fase
11. Válvula de admisión
12. Entrada
13. Tapa de suministros
14. Cierre de palanca
15. Orejeta de amarre (2 unidades)

Símbolos que aparecen en el producto



Lea detenidamente el manual de usuario y asegúrese de entender su contenido antes de utilizar el producto.



Utilice siempre una máscara respiratoria homologada.



Utilice siempre protectores auriculares homologados.



Utilice siempre protección ocular homologada.

Responsabilidad sobre el producto

Como se estipula en las leyes de responsabilidad del producto, no nos hacemos responsables de los daños y perjuicios causados por nuestro producto si:

- El producto se ha reparado incorrectamente.
- El producto se ha reparado con piezas que no eran del fabricante o no autorizadas por el fabricante.
- El producto tiene un accesorio que no es del fabricante o no está autorizado por este.
- El producto no se ha reparado en un centro de servicio autorizado o por un organismo homologado.

Seguridad

Definiciones de seguridad

Las advertencias, precauciones y notas se utilizan para destacar información especialmente importante del manual.



ADVERTENCIA: Indica un riesgo de lesiones o incluso de muerte del usuario o de las personas cercanas si no se respetan las instrucciones del manual.



PRECAUCIÓN: Indica un riesgo de daños en el producto, otros materiales o el área adyacente si no se respetan las instrucciones del manual.

Nota: Se usa para proporcionar más información necesaria en una situación determinada.

Instrucciones generales de seguridad



ADVERTENCIA: Lea las instrucciones de advertencia antes de utilizar el producto.

- Utilice siempre el equipo con cuidado y sentido común. Por consiguiente, cuando no esté seguro de cómo utilizar la máquina, consulte a un experto. Consulte a su distribuidor, al taller de servicio técnico o a un usuario experimentado. Evite los trabajos para los que no se sienta suficientemente cualificado.
- Lea detenidamente el manual de instrucciones y familiarícese con las instrucciones antes de usar el producto. Conserve todas las advertencias e instrucciones para su consulta.
- Asegúrese de leer y entender las instrucciones del manual del producto principal para saber qué tipo de equipo personal tiene que llevar, qué equipo de seguridad debe usar y cómo trabajar de forma segura.
- Tenga en cuenta que es usted, como usuario, el responsable de no exponer a riesgos o accidentes a las personas y a su propiedad.
- El producto, si se utiliza de forma errónea o descuidada, puede ser una herramienta peligrosa

que puede causar daños graves e incluso la muerte al usuario y a otras personas.

- El producto debe mantenerse limpio. Los letreros y las pegatinas deben ser legibles en su totalidad.
- El producto no está pensado para que lo utilicen personas (incluidos niños) con discapacidades físicas, sensoriales o mentales, o bien sin la experiencia o conocimientos suficientes.
- Cuando el producto esté en uso, evite que los niños y las personas no autorizadas se acerquen.
- Los operadores estarán debidamente instruidos en el uso del producto.
- Nunca utilice este producto si está cansado, si ha ingerido alcohol o drogas, o si toma medicamentos que puedan afectarle a la vista, la capacidad de reacción, la coordinación o el discernimiento.
- No manipule el enchufe ni el producto con las manos mojadas.
- No utilice nunca un producto defectuoso. Lleve a cabo las comprobaciones de seguridad y siga las instrucciones de mantenimiento y servicio de este manual. Algunas medidas de mantenimiento y servicio deben ser efectuadas por especialistas formados y cualificados. Consulte las instrucciones en *Mantenimiento en la página 39*.

Instrucciones de seguridad eléctrica



ADVERTENCIA: Lea las siguientes instrucciones de advertencia antes de utilizar el producto.

- El extractor de polvo incluye un protector térmico de seguridad para evitar el sobrecalentamiento del motor. Si el protector térmico tiene que activarse, apague la máquina, desenchufe el cable de alimentación y compruebe si la bolsa atrapolpolvo está llena, si la manguera de aspiración está atascada o el filtro obstruido. El protector térmico puede necesitar hasta 45 minutos para reiniciarse.
- Antes de usar el extractor de polvo, asegúrese de que la potencia y el voltaje se corresponden con el voltaje indicado en la placa de características de la máquina, incluidos los cables alargadores.
- Conecte a una toma correctamente conectada a tierra. Consulte la sección *Instrucciones de conexión a tierra en la página 38*.

- Una conexión incorrecta del conductor de tierra del equipo podría derivar en un riesgo de sacudida eléctrica. Consulte a un electricista profesional o a un técnico si tiene dudas sobre si la toma de corriente está correctamente conectada a tierra. No modifique el enchufe incluido, si no se ajusta a la toma de corriente, solicite a un electricista cualificado que instale una toma adecuada.
- Si usa un cable alargador, asegúrese de que la capacidad del cable es adecuada para esta máquina.
- Es peligroso usar cables dañados porque han quedado aplastados o se han abierto, por lo que deben reemplazarse de inmediato.
- No utilice si el cable o el enchufe están dañados. Si la máquina no funciona conforme a lo previsto, se ha caído, dañado o dejado en el exterior o caído en agua. Asegúrese de que la repara alguien cualificado para evitar peligros.
- Inspeccione regularmente el cable y enchufe para detectar posibles daños. No utilice si el cable o el enchufe están dañados.
- No tire del cable, no lo use para transportar el aparato ni como mango, no cierre puertas sobre el cable ni tire de él alrededor de bordes afilados o esquinas. Evite que el equipo pase por encima del cable. Mantenga el cable lejos de superficies calientes.
- No desenchufe tirando del cable. Para desenchufar, hágalo por el enchufe.
- No deje la máquina desatendida cuando esté enchufada. Desenchufe el cable de la toma cuando no la use y antes de limpiar o inspeccionar la máquina.

Instrucciones de seguridad para el montaje



ADVERTENCIA: Lea las siguientes instrucciones de advertencia antes de montar el producto.

- Apague todos los controles antes de eliminar las posibles obstrucciones. No desenchufe tirando del cable. Para desenchufar, hágalo por el enchufe.
- Las modificaciones o la utilización de accesorios no autorizados pueden ocasionar lesiones graves o incluso la muerte del usuario o de otras personas.
- Utilice siempre accesorios originales.
- Utilice los accesorios únicamente como se describe en este manual. Use únicamente los accesorios recomendados por el fabricante.
- Asegúrese de que el área de montaje tiene una base firme para que el producto no pueda volcar. Riesgo de daños personales y materiales.
- Preste atención, ya que los cierres de palanca pueden causar daños al operador durante el montaje del producto.

Instrucciones de seguridad para el funcionamiento



ADVERTENCIA: Lea las siguientes instrucciones de advertencia antes de utilizar el producto.

- El producto no debe utilizarse en entornos donde se generan gases explosivos. El riesgo de explosión sería elevado.
- No aspire nada que esté quemándose ni expulsando humo, como cigarrillos, cerillas o cenizas calientes.
- No utilice la unidad para recoger líquidos inflamables o combustibles, como gasolina, ni la utilice en zonas en las que puedan estar presentes.
- Evite que se acumule el polvo, cabellos o cualquier otro elemento que pudieran reducir el flujo de aire.
- Mantenga el pelo, la ropa suelta, los dedos y todas las partes del cuerpo lejos de las aberturas y las piezas en movimiento.
- No use el producto sin la bolsa atrapapolvo ni los filtros instalados. Cambie el sistema colector o los filtros según se describe en este manual.



PRECAUCIÓN: Esta máquina está diseñada para recolectar restos y polvo seco no inflamable en un entorno de interior. No es adecuada para la recogida de líquidos.



PRECAUCIÓN: Este producto se ha diseñado solo para su uso en recintos cerrados.



PRECAUCIÓN: Este producto debe almacenarse únicamente en un recinto cerrado.

Equipo de protección personal



ADVERTENCIA: Lea las siguientes instrucciones de advertencia antes de utilizar el producto.

- Utilice siempre un equipo de protección personal homologado durante el uso del producto. El equipo de protección personal no elimina completamente el riesgo de lesiones, pero reduce la gravedad de las lesiones en caso de accidente. Consulte a su taller de servicio para que le informe sobre el equipo que puede utilizar.
- Riesgo de dispersión del polvo: use equipo de seguridad personal. Al cambiar el filtro, puede salir polvo perjudicial para la salud. Por tanto, el usuario debe llevar gafas de protección, guantes protectores y una máscara respiratoria compatibles con la clase de protección FFP3.
- La exposición prolongada al ruido puede causar daños crónicos en el oído. Utilice siempre unos

protectores auriculares homologados. Cuando use protectores auriculares, permanezca siempre atento a señales o llamadas de advertencia. Qúitese siempre la protección de oídos en cuanto se detenga el motor.

- Para realizar trabajos de mantenimiento en el producto, debe usar guantes protectores homologados.

Instrucciones de seguridad para el mantenimiento



ADVERTENCIA: Lea las siguientes instrucciones de advertencia antes de utilizar el producto.

- Asegúrese de que el interruptor del motor se encuentre en la posición de apagado. Desconecte el producto de la red eléctrica.
- No modifique el diseño original del producto.
- Las reparaciones deben quedar a cargo de un técnico cualificado. Use sólo las piezas de sustitución suministradas por el fabricante u otras equivalentes.
- Utilice el equipo de protección homologado. Consulte *Equipo de protección personal en la página 37*
- No pefore el Hepa filter. Un Hepa filter roto puede dispersar el polvo.

Montaje

Introducción



PRECAUCIÓN: Utilice únicamente un cable alargador cuyos valores nominales se correspondan con los de este producto. Conecte el producto solamente a una toma

de corriente con una conexión a tierra en buen estado.



PRECAUCIÓN: Limpie siempre el prefiltro antes de cambiar el sistema de recogida mediante bolsa.

Funcionamiento

Antes del uso

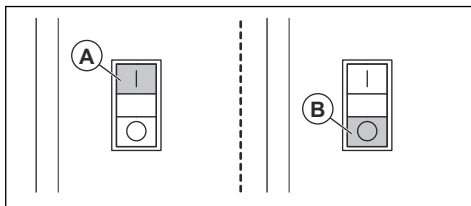


ADVERTENCIA: Antes de usar el extractor de polvo, asegúrese de que la potencia y el voltaje se corresponden con el voltaje indicado en la placa de características de la máquina, incluidos los cables alargadores.

Para arrancar y parar

Pulse el botón verde (A) para activar el extractor de polvo.

Pulse el botón rojo (B) para detener el extractor de polvo.



ADVERTENCIA: Conecte a una toma correctamente conectada a tierra. Consulte *Instrucciones de conexión a tierra en la página 38*

Convertidor de fase

Nota: No aplicable en las variantes que se comercializan en Australia o Nueva Zelanda.



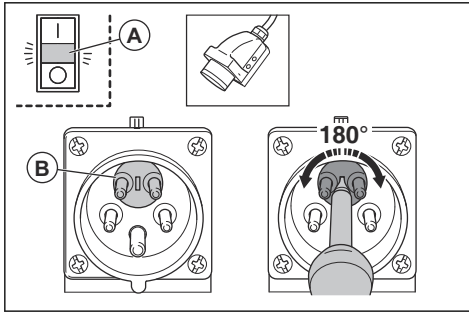
ADVERTENCIA: El extractor de polvo debe conectarse a tierra. En caso de avería o funcionamiento erróneo, la conexión a tierra sirve de vía de resistencia a la corriente eléctrica, para reducir el riesgo de sacudida eléctrica. El extractor de polvo incluye un cable con un conductor de tierra y un enchufe con toma de tierra. El enchufe debe conectarse en una toma de corriente correctamente instalada y conectada a tierra conforme a las normativas y los códigos locales.



ADVERTENCIA: Los trabajos que impliquen la manipulación del sistema eléctrico deben encomendarse a un electricista debidamente cualificado.

Si la luz roja (A) entre el botón rojo y el verde se enciende, hay un error de fase. Conmute 2 de las fases para reiniciar (B). Se trata de una medida de seguridad

para que la bomba no empiece a funcionar.



Mantenimiento

Introducción



ADVERTENCIA: Use equipo de seguridad personal, consulte *Equipo de protección personal en la página 37*, al trabajar en el equipo. Podría quedar expuesto al polvo durante el mantenimiento y la reparación.



ADVERTENCIA: La mayoría de accidentes con máquinas se producen durante la localización de fallos, reparación y mantenimiento, ya que el personal tiene que localizarlos por sí mismo dentro de la zona de riesgo de la máquina. Evite los accidentes estando alerta y planificando y preparando los trabajos con antelación.



ADVERTENCIA: Durante las operaciones que se describen en este capítulo, el motor debería estar apagado, a menos que se indique lo contrario.



ADVERTENCIA: Todas las comprobaciones relacionadas con los componentes eléctricos debe llevarlas a cabo un electricista autorizado.

Programa de mantenimiento T-Line Dust Extractor

Los intervalos de mantenimiento se calculan a partir del uso diario del producto. Los intervalos cambian si el producto no se utiliza a diario.

Mantenimiento	Antes de cada utilización	Diario	Semanal	Cuando la aspiración es escasa	6 meses o 1000 h	12 meses o 2000 h
Busque signos de desgaste, daños o conexiones flojas de los controles antes de conectar la unidad.	X					
Revise que Longopac esté en buen estado.		X				
Compruebe el mecanismo de limpieza del filtro.		X				
Compruebe las ruedas. Busque indicios de daños y conexiones incorrectas.			X			
Limpie el prefiltro.				X		
Cambie el prefiltro.				X	X	
Sustituya el Hepa filter				X		X

Para limpiar el extractor de polvo

Es importante para limpiar el extractor de polvo para evitar problemas de circulación de polvo peligroso. Limpie siempre el extractor de polvo antes de trasladarlo de la zona de trabajo.



ADVERTENCIA: Gire el interruptor del motor a la posición de apagado y desconecte el cable de la toma de pared antes de limpiar o realizar el mantenimiento del producto.

- Cuando todo el equipo se use, se considerará como contaminado y se deberá someter a su posterior tratamiento.
- Tras un trabajo de reparación, todas las piezas contaminadas se deben desechar conforme a los procedimientos correctos en bolsas de plástico. Consulte las leyes locales.
- Para limpiar el producto debe utilizar un equipo de protección personal correcto. Consulte la sección *Equipo de protección personal en la página 37*.
- Limpie la superficie externa con un paño húmedo.
- Limpie los filtros y extractor de polvo en la zona que corresponda.
- aspire el prefiltro desde el interior. Utilice siempre los extractores de polvo con Hepa filter y un cepillo suave para no dañar el filtro.
- No aplique agua sobre los componentes eléctricos.
- No limpie el extractor de polvo con alta presión (aire o agua).
- No coloque herramientas sobre la superficie del filtro, puede causar daños en el filtro.

- No perfere el Hepa filter, puede causar un riesgo para la salud.

Cambio de filtro



ADVERTENCIA: Utilice equipos de seguridad personal, consulte *Equipo de protección personal en la página 37*, durante el cambio de filtro. El polvo puede salir durante el cambio de filtro.



ADVERTENCIA: Al cambiar el filtro, gire siempre el interruptor del motor a la posición de apagado y desconecte el cable de la toma de pared.

Limpieza del prefiltro

El filtro debe limpiarse regularmente. Hay que hacerla antes de cambiar la bolsa de plástico del sistema colector y también cuando el trabajo esté finalizado o bien cuando la potencia de aspiración sea escasa.



PRECAUCIÓN: No golpee ni arrastre objetos sobre la superficie del filtro; de lo contrario, el filtro podría resultar dañado.



PRECAUCIÓN: No utilice agua para limpiar los filtros.

1. Con el extractor de polvo en marcha, selle la admisión con el conector o la válvula de admisión.

- Deje que el extractor de polvo genere potencia de aspiración durante 5 segundos y, a continuación, pulse rápidamente el asa Jet Pulse y manténgala pulsada durante 5 segundos.
- Repita el paso 2 cinco veces. Es importante dejar que el extractor de polvo acumule vacío entre cada repetición.
- Si no hay bastante potencia de aspiración, el filtro debe sustituirse. Sustituya solo la bolsa de plástico después de limpiar el filtro.

Prefiltro

Utilice únicamente filtros Husqvarna. El rendimiento y la capacidad de filtración solo pueden garantizarse con filtros originales.



ADVERTENCIA: No sustituya solo un tubo. Si hay un roto, debe cambiar todo el filtro.

Cambio del prefiltro

- Abra los 2 cierres de palanca situados entre el depósito y el ciclón inferior.
- Abra los 2 cierres de palanca de la conexión de manguera entre el depósito y la tapa del Hepa filter.
- Gire el depósito hacia adelante.
- Gire la placa del filtro hacia la izquierda 10 grados y gire el filtro y el soporte con cuidado hasta darles la vuelta.
- Coloque una bolsa de plástico sobre la unidad de filtro.
- Extraiga el filtro con cuidado hasta insertarlo en la bolsa y ciérrela. Deseche la bolsa. Consulte las normativas de eliminación de residuos locales.
- Para colocar un conjunto de filtro nuevo, proceda en el orden inverso.

Cambio del Hepa filter



PRECAUCIÓN: No limpie un Hepa filter; de lo contrario, el Hepa filter sufrirá daños irreversibles. Al instalar el filtro de repuesto, asegúrese de no tocar el interior. Cualquier presión/daño en el interior del cartucho de filtro provocará daños irreversibles en el filtro nuevo.



PRECAUCIÓN: No toque el interior del filtro cuando instale un Hepa filter de repuesto. Si el interior del filtro presenta daños, no podrá funcionar adecuadamente.

- Afloje los cierres de palanca de la tapa del filtro y quítela.
- Levante con cuidado el filtro hasta insertarlo en una bolsa de plástico limpia.

Nota: Esta bolsa debe desecharse correctamente.

- Inserte un filtro nuevo en el orden inverso.

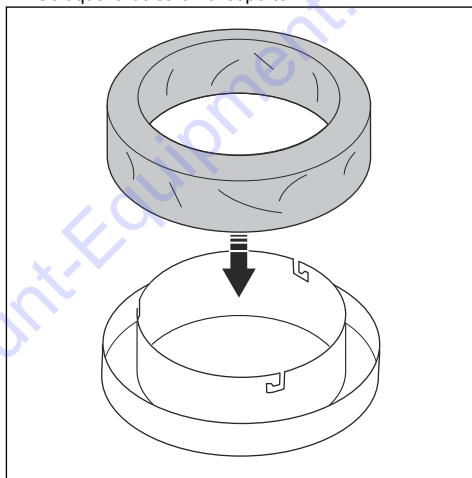
Montaje de una bolsa para polvo {79} nueva



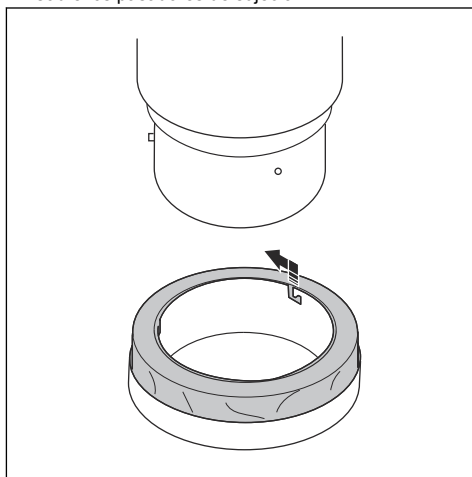
ADVERTENCIA: Limpie siempre el prefiltro antes de cambiar el sistema de recogida mediante bolsa.

Nota: El extractor de polvo tiene sistema Longopac.

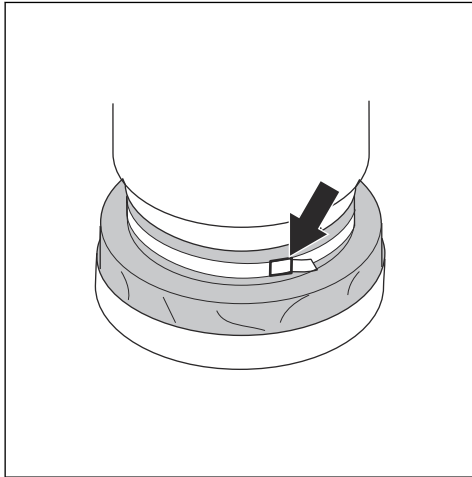
- Coloque la bolsa en el soporte.



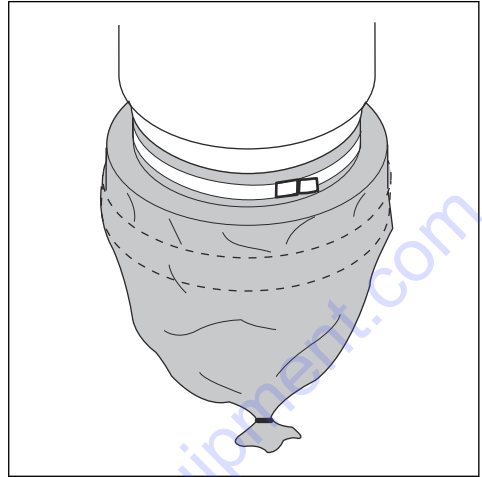
- Fije el soporte de la bolsa al contenedor girándola sobre los pasadores de sujeción.



3. Tire de la bolsa hacia arriba desde el soporte y colóquela alrededor del contenedor.
4. Apriete una correa alrededor de la bolsa y el contenedor para sujetar la bolsa al contenedor.



5. Coloque la bolsa sobre el soporte.
6. Cierre la parte inferior de la bolsa con una brida.



Resolución de problemas

Programa de resolución de problemas

Problema	Causa	Solución
El motor no arranca	No hay alimentación eléctrica	Obstrucción en la máquina
	Cable defectuoso	Cambiar el cable
	Interruptor defectuoso	Sustituir interruptor
	Combinación de contactores defectuosa	Sustituir combinación de contactores
	Error de fase (luz roja se enciende)	Conmutar 2 fases
El motor se detiene inmediatamente después del arranque	Fusible incorrecto	Conectar al fusible correcto
	Corto en cable/máquina	Solicitar reparación
El motor funciona pero no hay de aspiración	La manguera no se ha conectado	Conectar la manguera
	La manguera está bloqueada	Limpiar manguera
	No hay bolsas colectoras de polvo	Instalar el sistema colector de polvo

Problema	Causa	Solución
El motor funciona pero con poca potencia de aspiración	Orificio en la manguera	Sustituir manguera
	Filtro atascado.	Limpiar el filtro/cambiar el filtro
	Tapa suelta	Ajustar
	Suciedad en la solapa	Limpiar la solapa
	Juntas defectuosas.	Sustituir las juntas afectadas
Polvo expulsado desde el motor	Sistema de filtro dañado o montado incorrectamente	Ajustar/sustituir los filtros
Ruido extraño		Solicitar reparación

Transporte, almacenamiento y eliminación

Transporte del producto

- Asegúrese de que la bolsa Longopac está vacía antes del transporte.
- Asegúrese de que la bolsa Longopac está fijada al producto durante el transporte.
- Utilice rampas o cabrestantes para levantar el extractor de polvo para asegurarse de que los movimientos son seguros. Busque ayuda si no está seguro de cómo levantar equipos pesados.
- Sujete bien el producto durante el transporte para evitar daños y accidentes. Utilice las orejetas de amarre de ambos lados del producto.
- Acople el bloqueo de las ruedecillas de forma segura en las ruedas.
- Si es posible, transporte el producto cuando las condiciones climáticas sean buenas.
- Si es posible, utilice un vehículo cerrado durante el transporte del producto.

- Cuando ya no use el producto, envíelo a un distribuidor Husqvarna o deséchelo en un punto de reciclaje.

Almacenamiento del producto

- El producto debe almacenarse cubierto, protegido de los elementos externos.
- No exponga el producto a la lluvia ni a la humedad.
- Acople el bloqueo de las ruedecillas de forma segura.
- Desconecte el producto de la fuente de alimentación.
- Guarde el producto y el equipo en un lugar seco y sin heladas ni calor excesivo.
- Guarde el equipo en un lugar cerrado, fuera del alcance de los niños y de las personas no autorizadas.

Eliminación del producto

- Respete los requisitos de reciclaje locales y las normas aplicables.

Datos técnicos

Datos técnicos

Datos	T 7500
Tensión (trifásica), V	380-415
Frecuencia, Hz	60
Potencia (máx.), kW (CV)	7,5 (10)
Carga máxima eléctrica de la toma de corriente, A	60
Flujo de aire (máx.), m ³ /h (cfm)	600 (353)
Aspiración (máx.), kPa (psi)	28 (110)
Manguera principal, m (pies)	10 (32)
Diámetro de entrada, mm (pulg.), Camlock	76 (3)
Prefiltro, %	>99,5 % a 1 um
área del prefiltro, m (pulg.)	2,9 (31,2)
Hepa filter 99,99 % a 0,3 um	2
Área total del Hepa filter, m ² (pies ²)	5 (53,8)
Nivel de ruido, dB (A)	74
Sistema colector de polvo, tipo	Longopac
Dimensiones (L*An*A), mm (pulg)	1245x686x1753 (49,1x27,1x69,1)
Peso, kg (lb)	209 (460)



To order go to Discount-Equipment.com

Original instructions
Instruções originais
الإرشادات الأصلية
Instrucciones originales

1141502-38



2020-01-29

TO PURCHASE THIS PRODUCT PLEASE CONTACT US



**Equipment Financing and
Extended Warranties Available**



**Discount-Equipment.com is your online resource for
commercial and industrial quality parts and equipment sales.**

561-964-4949

visit us on line @ www.discount-equipment.com

Select an option below to find your Equipment

Search by Manufacturer

Search by Product Type

Request a Quote

We sell worldwide for the brands: Genie, Terex, JLG, MultiQuip, Mikasa, Essick, Whiteman, Mayco, Toro Stone, Diamond Products, Generac Magnum, Airman, Haulotte, Barreto, Power Blanket, Nifty Lift, Atlas Copco, Chicago Pneumatic, Allmand, Miller Curber, Skyjack, Lull, Skytrak, Tsurumi, Husquvarna Target, Stow, Wacker, Sakai, Mi-T-M, Sullair, Basic, Dynapac, MBW, Weber, Bartell, Bennar Newman, Haulotte, Ditch Runner, Menegotti, Morrison, Contec, Buddy, Crown, Edco, Wyco, Bomag, Laymor, EZ Trench, Bil-Jax, F.S. Curtis, Gehl Pavers, Heli, Honda, ICS/PowerGrit, IHI, Partner, Imer, Clipper, MMD, Koshin, Rice, CH&E, General Equipment, Amida, Coleman, NAC, Gradall, Square Shooter, Kent, Stanley, Tamco, Toku, Hatz, Kohler, Robin, Wisconsin, Northrock, Oztec, Toker TK, Rol-Air, APT, Wylie, Ingersoll Rand / Doosan, Innovatech, Con X, Ammann, Mecalac, Makinex, Smith Surface Prep, Small Line, Wanco, Yanmar