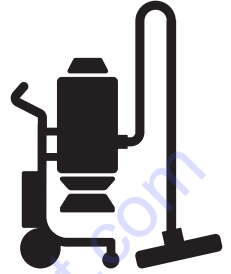




Husqvarna®



T 4000, T 7500, T 10000

EN	Operator's manual	2-18
DE	Bedienungsanweisung	19-34
FR	Manuel d'utilisation	35-50
NL	Gebruiksaanwijzing	51-66

TO PURCHASE THIS PRODUCT PLEASE CONTACT US



**Equipment Financing and
Extended Warranties Available**



**Discount-Equipment.com is your online resource for
commercial and industrial quality parts and equipment sales.**

561-964-4949

visit us on line @ www.discount-equipment.com

Select an option below to find your Equipment

Search by Manufacturer

Search by Product Type

Request a Quote

We sell worldwide for the brands: Genie, Terex, JLG, MultiQuip, Mikasa, Essick, Whiteman, Mayco, Toro Stone, Diamond Products, Generac Magnum, Airman, Haulotte, Barreto, Power Blanket, Nifty Lift, Atlas Copco, Chicago Pneumatic, Allmand, Miller Curber, Skyjack, Lull, Skytrak, Tsurumi, Husquvarna Target, Stow, Wacker, Sakai, Mi-T-M, Sullair, Basic, Dynapac, MBW, Weber, Bartell, Bennar Newman, Haulotte, Ditch Runner, Menegotti, Morrison, Contec, Buddy, Crown, Edco, Wyco, Bomag, Laymor, EZ Trench, Bil-Jax, F.S. Curtis, Gehl Pavers, Heli, Honda, ICS/PowerGrit, IHI, Partner, Imer, Clipper, MMD, Koshin, Rice, CH&E, General Equipment, Amida, Coleman, NAC, Gradall, Square Shooter, Kent, Stanley, Tamco, Toku, Hatz, Kohler, Robin, Wisconsin, Northrock, Oztec, Toker TK, Rol-Air, APT, Wylie, Ingersoll Rand / Doosan, Innovatech, Con X, Ammann, Mecalac, Makinex, Smith Surface Prep, Small Line, Wanco, Yanmar

Contents

Introduction.....	2	Troubleshooting.....	13
Safety.....	6	Transportation, storage and disposal.....	13
Assembly.....	8	Technical data.....	15
Operation.....	8	Declaration of Conformity.....	17
Maintenance.....	9		

Introduction

Owner responsibility



WARNING: Processing of concrete and stone by methods such as cutting, grinding or drilling, especially during dry operation, generates dust that comes from the material being processed, which frequently contains silica. Silica is a basic component of sand, quartz, brick clay, granite and numerous other minerals and rocks. Exposure to excessive amount of such dust can cause:

Respiratory disease (affecting your ability to breathe), including chronic bronchitis, silicosis and pulmonary fibrosis from exposure to silica. These diseases may be fatal;

Skin irritation and rash.

Cancer according to NTP* and IARC* **/ National Toxicology Program, International Agency for Research on Cancer.

Take precautionary steps:

Avoid inhalation of and skin contact with dust, mist and fumes.

Wear and ensure that all bystanders wear appropriate respiratory protection such as dust masks designed to filter out microscopic particles. (See OSHA 29 CFR Part 1926.1153)

To minimize dust emissions use an appropriate dust extractor.

It is the owner's/employer's responsibility that the operator has sufficient knowledge about how to use the product safely. Supervisors and operators must have read and understood the Operator's Manual. They must be aware of:

- The product's safety instructions.
- The product's range of applications and limitations.
- How the product is to be used and maintained.

National/Local regulations could restrict the use of this product. Find out what regulations are applicable where you work before you start using the product.

Product description

The product is a dust extractor with a suction hose. Air with dust is suctioned into an inlet valve through the suction hose. The air decreases in speed by a cyclone which cause the dust particles to move apart from the air. Small dust particles and air goes through a 2 filter system. Large dust particles are collected in the cyclone and fall through the bottom flap into a plastic bag.

Intended use

The product is used to clean construction areas by collecting up dry and non flammable dust in indoor environments.

The product can be connected to medium and large surface preparation equipment such as grinders.

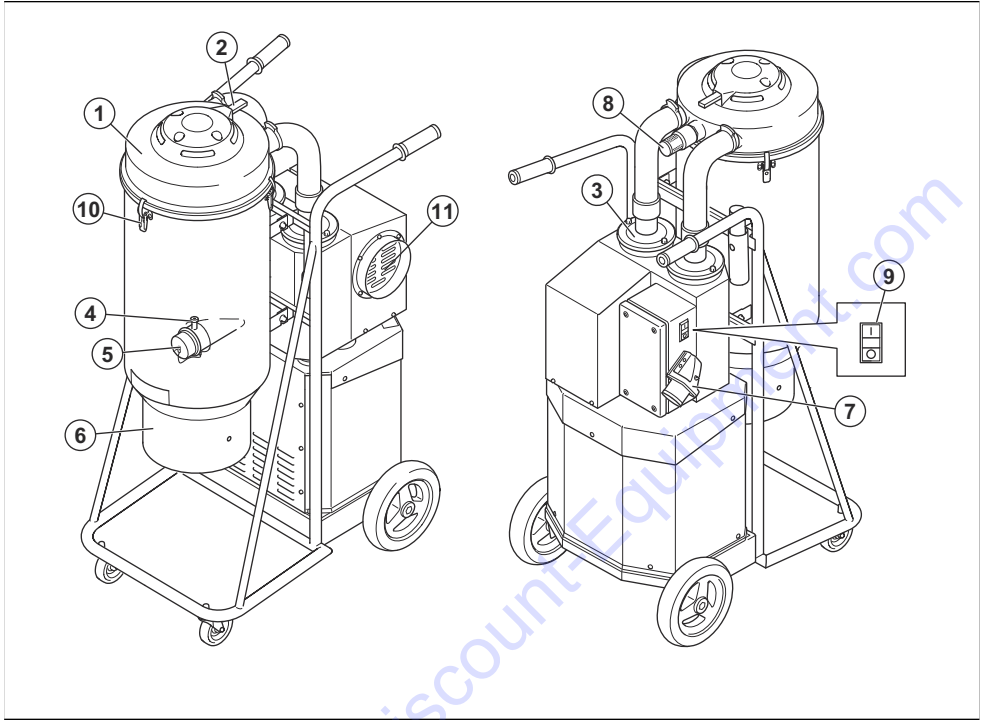
The product is intended for commercial use, for example in hotels, schools, hospitals, factories, shops, offices and rental businesses

Note: The explosion limit value for the not flammable dust is $>0.1\text{mg/m}^3$.

Dust storage system

All Husqvarna T-Line Dust Extractors are to be used with Longopac. Only change Longopac after the filter cleaning cycle has been completed.

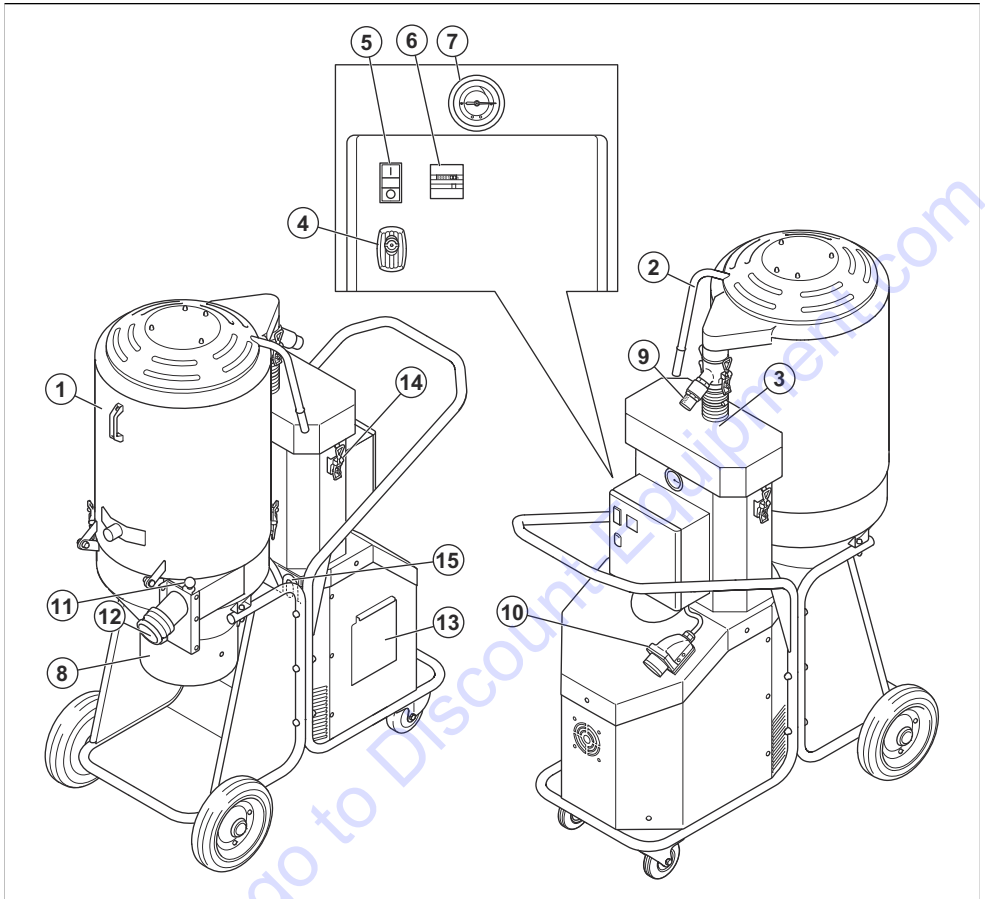
Product overview T 4000



1. Pre-filter
2. Jet Pulse handle
3. Hepa filter
4. Hose lock
5. Inlet plug
6. Longopac connection

7. Socket inlet with phase converter (EU, AU)
8. Pressure release valve
9. On/Off
10. Toggle fastener
11. Ducting port

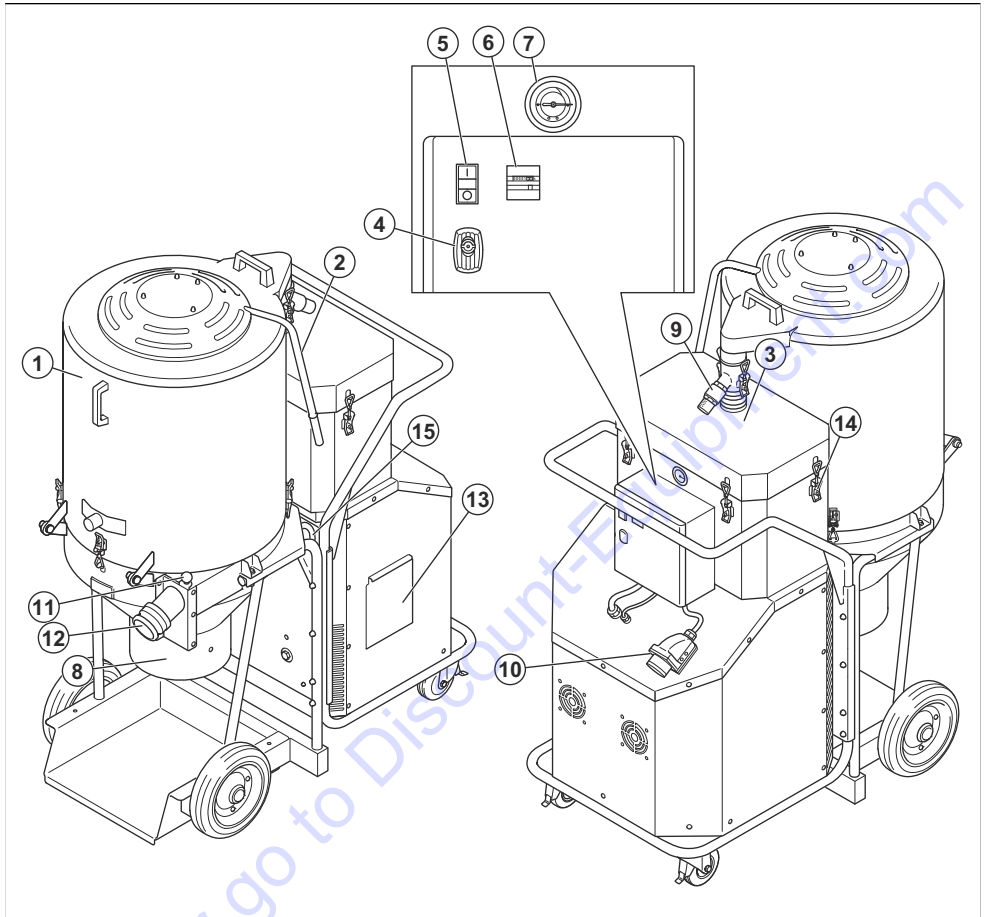
Product overview T 7500



1. Pre-filter
2. Jet Pulse handle
3. Hepa filter
4. Lock to electricity box
5. On/Off
6. Hour meter
7. Manometer
8. Longopac connection

9. Pressure release valve
10. Socket inlet with phase converter
11. Inlet valve
12. Inlet
13. Utility hatch
14. Toggle fastener
15. Tie down lug 2X

Product overview T 10000



1. Pre-filter
2. Jet Pulse handle
3. Hepa filter
4. Lock to electricity box
5. On/Off
6. Hour meter
7. Manometer
8. Longopac connection
9. Pressure release valve
10. Socket inlet with phase converter
11. Inlet valve
12. Inlet
13. Utility hatch
14. Toggle fastener
15. Tie down lug 2X

Symbols on the product



Please read the operator's manual carefully and make sure you understand the instructions before using the product.



Always use an approved breathing mask.



Always use approved ear protection.



Always use approved eye protection.

Product liability

As referred to in the product liability laws, we are not liable for damages that our product causes if:

- the product is incorrectly repaired.
- the product is repaired with parts that are not from the manufacturer or not approved by the manufacturer.
- the product has an accessory that is not from the manufacturer or not approved by the manufacturer.
- the product is not repaired at an approved service center or by an approved authority.

Safety

Safety definitions

Warnings, cautions and notes are used to point out specially important parts of the manual.



WARNING: Used if there is a risk of injury or death for the operator or bystanders if the instructions in the manual are not obeyed.



CAUTION: Used if there is a risk of damage to the product, other materials or the adjacent area if the instructions in the manual are not obeyed.

Note: Used to give more information that is necessary in a given situation.

General safety instructions



WARNING: Read the warning instructions before you use the product.

- Always exercise care and use your common sense. If you get into a situation where you feel unsafe, stop and seek expert advice. Contact your dealer, service agent or an experienced user. Do not attempt any task that you feel unsure of!
- Read the operator's manual carefully and understand the instructions before using the product. Save all warnings and instructions for future reference.
- Make sure that you read and understand the instructions for the main product manual to ensure that you know what personal equipment to wear, what safety equipment to use and how to work in a safe mode.
- Keep in mind that it is you, the operator that is responsible for not exposing people or their property to accidents or hazards.
- The product can be a dangerous tool if used incorrectly or carelessly, which can cause serious or fatal injury to the operator or others.

- The product must be kept clean. Signs and stickers must be fully legible.
- This product is not intended for use by persons (including children) with reduced physical, sensory or mental capabilities, or lack of experience and knowledge.
- This product produces an electromagnetic field during operation. This field can under some circumstances interfere with active or passive medical implants. To decrease the risk of serious injury or death, we recommend persons with medical implants to speak to their physician and the medical implant manufacturer before operating this product.
- Keep children and unauthorized persons away from the product when in use.
- Operators shall be adequately instructed on the use of the product.
- Never use this product if you are fatigued, while under the influence of alcohol or drugs, medication or anything that could affect your vision, alertness, coordination or judgment.
- Do not handle plug or product with wet hands.
- Never use a product that is faulty. Carry out the safety checks, maintenance and service instructions described in this manual. Some maintenance and service measures must be carried out by trained and qualified specialists. Refer to instructions in *Maintenance on page 9*.

Electrical Safety instructions



WARNING: Read the warning instructions that follow before you use the product.

- The dust extractor is equipped with a safety thermal protector to prevent motor from overheating. Should thermal protector activate, turn off machine, unplug power cord and check for full dust bag, vacuum hose clog or filter blockage. It may take up to 45 minutes for the thermal protector to reset.
- Before using the dust extractor make sure that the power & voltage corresponds with the voltage shown on the machines rating plate, including extension cords.
- Connect to a properly grounded outlet only. Refer to *Grounding instructions on page 8*.

- Improper connection of the equipment-grounding conductor can result in a risk of electrical shock. Check with a qualified electrician or service person if you are in doubt as to whether the outlet is properly grounded. Do not modify the plug provided, if it will not fit the outlet have a proper outlet installed by a qualified electrician.
- If using an extension cord make sure the cord rating is suitable for this machine.
- Cables damaged through crushing or splitting can be dangerous if used and should be replaced immediately.
- Do not use with damaged cord or plug. If the machine is not working as it should, has been dropped, damaged, left outdoors or dropped in water. Make sure it is repaired by a qualified person to avoid hazard.
- Regularly inspect cord and plug for damage. Do not use with a damaged cord or plug.
- Do not pull or carry by cord, use cord as handle, close a door on cord, or pull cord around sharp edges or corners. Do not allow equipment to run over cord. Keep cord away from heated surfaces.
- Do not unplug by pulling on cord. To unplug, grasp the plug.
- Do not leave machine when plugged in. Unplug cord from outlet when not in use and before cleaning or servicing machine.
- Do not pickup anything that is burning or smoking, such as cigarettes, matches or hot ashes.
- The high vacuum suction at the inlet can cause body injury.
- Be very careful when you move the product in dark areas. The product is heavy and there is a risk of injury if the product falls or moves too quickly.
- Be very careful when you move the product on a surface with a slope. The product is heavy and there is a risk of injury if the product falls or moves too quickly.
- The machine can suddenly move if it is not parked on horizontal surface. The center of gravity changes when the machine is filled with dust, which may affect the parking brake function. Only park on horizontal surfaces.
- Do not put your hand on top of the primary tank during filter cleaning, there is a risk of pinching.
- Do not use to pickup flammable or combustible liquids, such as gasoline, or use in areas where they may be present.
- Do not allow a build-up of dust, hair and anything that may reduce airflow.
- Keep hair, loose clothing, fingers and all parts of body away from openings and moving parts.
- Do not use the product without dust bag and/ or filters in place. Replace collection system and/or filters as described in this manual.

Safety instructions for assembly



WARNING: Read the warning instructions that follow before you assemble the product.

- Turn off all controls before unplugging. Do not unplug by pulling on cord. To unplug, grasp the plug.
- Unauthorized modifications and /or accessories may lead to serious injury or death to the user or others.
- Always use genuine accessories.
- Use only attachments as described in this manual. Use only manufacturers recommended attachments.
- Make sure that the assembly area is firm, so the product does not tip over. Risk of personal and material injury.
- Be careful, the toggle fasteners can cause damage to the operator when assemble the product.

Safety instructions for operation



WARNING: Read the warning instructions that follow before you use the product.

- The product must not be used in environments where explosive gases may be present. This will pose a serious risk of explosion.



CAUTION: This machine is designed for picking up dry, non-flammable dust and debris in an indoor environment. It is not suitable for picking up liquids.



CAUTION: This product is for indoor use only.



CAUTION: This product shall be stored indoors only.

Personal protective equipment



WARNING: Read the warning instructions that follow before you use the product.

- Always use approved personal protective equipment during operation. Personal protective equipment does not give you full protection but it decreases the degree of injury if an accident occur. Speak to you servicing dealer for recommendations about which equipment to use.
- Risk of dust dispersion - Use personal equipment. Unhealthy dust can be spread during filter change. Accordingly, the user should wear protective

glasses, protective gloves, and a breathing mask conforming to protection class FFP3.

- Long-term exposure to noise can result in permanent hearing impairment. Always use approved hearing protection. Listen for warning signals or shouts when you wearing hearing protection. Always remove your hearing protection as soon as the engine stops.
- Use approved protective gloves when you do maintenance on the product.
- Use tight-fitting, heavy-duty and comfortable clothing that permits full freedom of movement. Do not wear shorts.

- Make sure the engine switch is in the Off position. Disconnect the product from the wall outlet.
- Do not modify the product from its original design.
- All repairs must be performed by a qualified service person. Use only manufacturer-supplied or equivalent replacement parts.
- Make sure that you use correct fuse when you do servicing on the product.
- Use approved protective equipment. Refer to *Personal protective equipment on page 7*
- Do not make a hole in the Hepa filter. A broken Hepa filter can disperse dust.

Safety instructions for maintenance



WARNING: Read the warning instructions that follow before you use the product.

Assembly

Introduction



CAUTION: Only use extension cable with correct rated value for this product. Only connect to an outlet that is correct grounded.



CAUTION: Always clean the prefilter before change of bag collection system.

Operation

Before use



WARNING: Before using the dust extractor make sure that the power and voltage corresponds with the voltage shown on the machines rating plate, including extension cords.



WARNING: Connect to a properly grounded outlet only. Refer to *Grounding instructions on page 8*

Grounding instructions

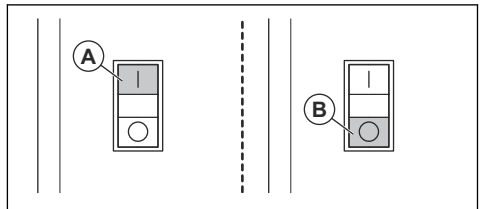


WARNING: The dust extractor must be grounded. If it should malfunction or breakdown, grounding provides a path of least resistance for electric current to reduce the risk of electric shock. The dust extractor is equipped with a cord having an equipment-grounding conductor and grounding plug. The plug must be inserted into an appropriate outlet that is properly installed and grounded in accordance with all local codes and ordinances.

To start and stop

Push the green button (A) to start the dust extractor.

Push the red button (B) to stop the dust extractor.



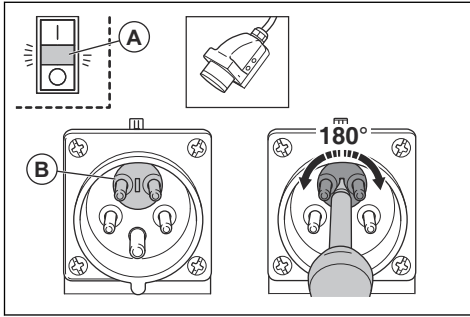
Phase converter

Note: Not applicable to variants sold in Australia or New Zealand.



WARNING: Electrical work must be done by an approved electrician.

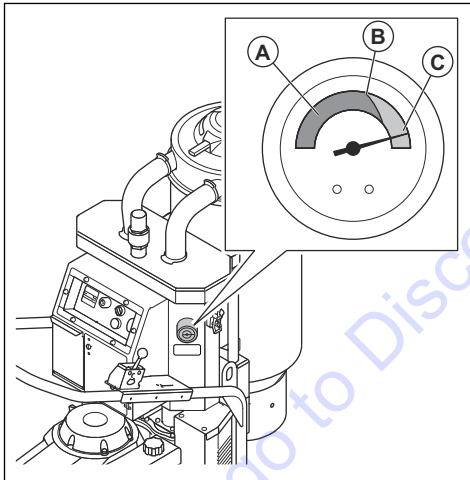
If the red lamp (A) between the red and the green button lights up, there is a phase error. Switch 2 of the phases to reset (B). This is a safety measure to make sure that the pump does not start to blow.



1. Clean the prefilter if the manometer is above the filter cleaning level (B). Refer to *To clean the pre filter on page 10*.
2. Replace the Hepa filter filter if the suction continues to be not sufficient. Refer to *To change the Hepa filter on page 11*.

To monitor the filter conditions

The product has a manometer to monitor the filter conditions. The manometer shows the total load of the product in 3 levels, (A) maximum vacuum level (0m/s), (B) filter cleaning level and (C) level without load.



Maintenance

Introduction



WARNING: Use personal safety equipment, refer to *Personal protective equipment on page 7*, during service. Dust can be exposed during maintenance and service.



WARNING: Most accidents involving machines occur during trouble shooting, service and maintenance as staff have to locate themselves within the risk area of the

machine. Prevent accidents by being alert and by planning and preparing the work.



WARNING: The motor should be switched off during operations described in this chapter unless otherwise stated.



WARNING: All checks involving electric components should only be performed by a licensed electrician.

Maintenance schedule T-Line Dust Extractor

The maintenance intervals are calculated from daily use of the product. The intervals change if the product is not used daily.

Maintenance	Before each use	Daily	Weekly	When suction is low	6 months or 1000h	12 months or 2000h
Look for signs of wear, damage or loose connections of the controls before the unit is connected.	X					
Do a check that the Longopac is correct.		X				
Do a check of the filter cleaning mechanism.		X				
Do a check of the dust hose and the connections.		X				
Do a check of the wheels. Look for damage and bad connections.			X			
Clean the pre-filter.				X		
Replace the pre-filter.				X	X	
Replace the Hepa filter				X		X

To clean the dust extractor

It is important to clean the dust extractor to prevent circulation of dangerous dust. Always clean the dust extractor before it is moved from the work area.



WARNING: Turn the motor switch to its OFF position and disconnect the cord from the wall outlet before you clean or do maintenance to the product.

- All equipment once used must be regarded as contaminated and be treated thereafter.
- All parts that are contaminated after service work must be disposed in a correct procedure in plastic bags. Refer to local regulations.
- Use correct personal equipment when you clean the product. Refer to *Personal protective equipment on page 7*.
- Clean the external surface with a moist cloth.
- Clean the filters and the dust extractor in applicable area.
- Vacuum the pre-filter from the inside. Always use dust extractors with Hepa filter and a soft brush to not damage the filter.
- Do not use water on electrical components.

- Do not clean the dust extractor with high pressure (air or water).
- Do not put tools on the surface of the filter, it can cause damage to the filter.
- Do not make a hole in the Hepa filter, it can cause a health risk.

Filter change



WARNING: Use personal safety equipment, refer to *Personal protective equipment on page 7*, during filter change. Dust can come out during filter change.



WARNING: Always turn the motor switch in the Off position and disconnect the cord from the wall outlet during filter change.



WARNING: Be careful, the toggle fasteners can cause damage to the operator when assemble the product.

To clean the pre filter

The filter must be cleaned from time to time. This must be done before changing the plastic bag collection

system and should also be done when work is completed or when there is poor suction..



CAUTION: Avoid hitting or dragging items across the filter surface as this will damage the filter.



CAUTION: Do not use water to clean the filters.

1. While running the dust extractor, seal the inlet using the inlet plug or the inlet valve.
2. Let the dust extractor build up vacuum for 5 seconds, then quickly push and hold down the Jet Pulse handle for 5 seconds.
3. Repeat step 2 five times. It is important to let the dust extractor rebuild the vacuum in between every repetition.
4. If suction remains poor, the filter should be replaced. Only replace plastic bag after cleaning the filter.

The pre filter

Only use Husqvarna filters. Performance and filtration efficiency can only be assured with original filters.



WARNING: Do not replace only one tube. If one is broken, it is necessary to replace the complete filter.

To change the pre filter

1. Loosen the 2 toggle fasteners between the tank and the lower cyclone.
2. Loosen the 2 toggle fasteners at the hose connection between the tank and the Hepa filter cover.
3. Rotate the tank forward.
4. Rotate the filter plate anticlockwise 10 degrees and carefully turn the filter and holder upside down.
5. Put a plastic bag above the filter unit.
6. Lift out the filter carefully in the bag and close it. The bag must be discarded. Refer to local disposal regulations.
7. Put on a new complete filter package in reverse order.

To change the pre- filter, T 4000



CAUTION: When you remove the pre-filter in order to clean it, use only low pressure water from the inside through to the out. Hitting the filter with force, high pressure water or use of compressed air will destroy the filter. The filter must be 100% dry before returning into the housing.

1. Loosen the 3 toggle fasteners and remove the top.
2. Take the bag from the new filter.
3. Lift out the filter and place it gently in a plastic bag.

Note: This bag must be properly disposed.

4. Lift out the filter and place it gently in a plastic bag.

To change the Hepa filter



CAUTION: Do not clean Hepa filter, trying to clean a Hepa filter will destroy it. When installing the replacement filter, make sure to not touch the inside of the filter. Any kind of force/damage on the inside of filter media will destroy the new filter..



CAUTION: Do not touch the inner surface of the filter when installing a replacement Hepa filter. Damage to the inner surface of the filter can make it unserviceable.

1. Loosen the toggle fasteners on the filter cap and remove it.
2. Carefully lift the filter into a clean plastic bag.

Note: This bag must be properly disposed.

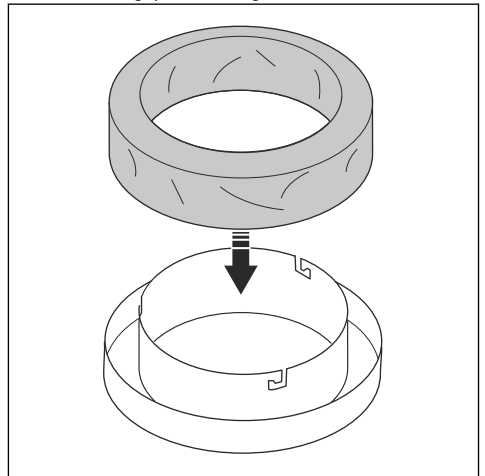
3. Insert a new filter in reverse order.

To install a new Longopac dust bag

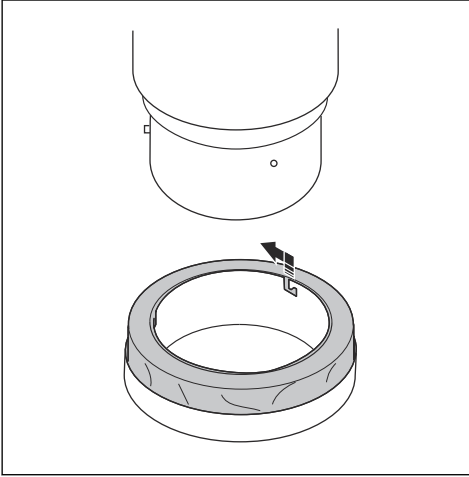


WARNING: Always clean the prefilter before you replace the Longopac dust bag.

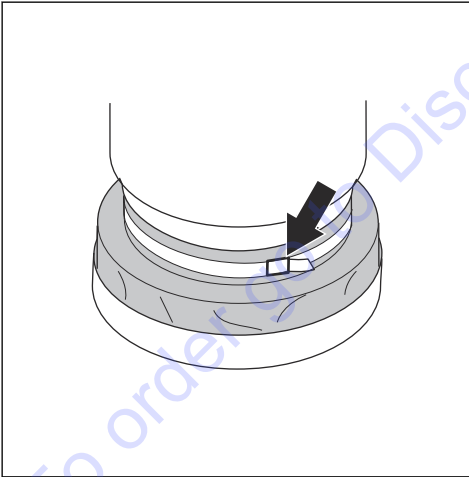
1. Put the Longopac dust bag in the holder.



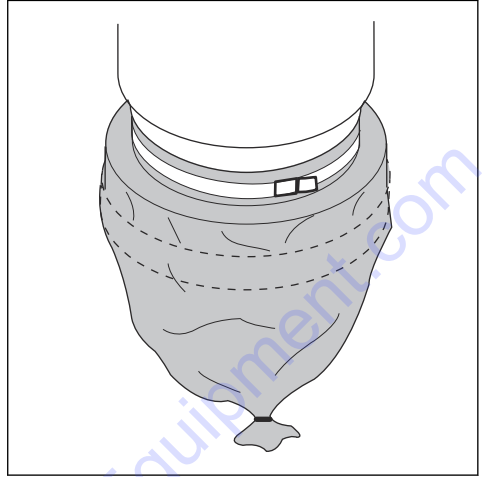
2. To attach the Longopac dust bag holder, twist the Longopac dust bag holder until the pins engage in the slots.



3. Pull the Longopac bag up from the holder and put it around the container.
4. Tighten a strap around the Longopac dust bag and the container to attach the bag correctly to the container.



5. Pull the Longopac dust bag down on the outer side of the bag holder.
6. Close the bottom of the Longopac dust bag with a cable tie.



Troubleshooting

Troubleshooting schedule

Issue	Cause	Solution
Motor does not start	No power	Plug in machine
	Cable defective	Replace cable
	Switch defective	Replace switch
	Contactor combination defective	Replace contactor combination
	Phase error (red lamp lights up)	Switch 2 phases
Motor stops immediately after starting	Wrong fuse	Connect to correct fuse
	Shortcut in cable/machine	Order service
Motor runs but there is not suction	Hose not connected	Connect hose
	Hose blocked	Clean hose
	No dust collection bag	Fit dust collection system
Motor runs but there is poor suction	Hole in hose	Replace hose
	Filter clogged	Clean filter/ Replace filter
	Loose top cover	Adjust
	Dirt in the flap	Clean the flap
	Defective gaskets	Replace affected gaskets
Dust blown from motor	Wrongly assembled or damaged filter system	Adjust/ Replace filters
Abnormal noise		Order service

Transportation, storage and disposal

Transportation of the product

- Make sure that the Longopac bag is empty before a transportation.
- Make sure that the Longopac bag is attached to the product during transportation.
- Use ramps or winches to lift the dust extractor to make sure that movements are safe. Get aid if you are not sure about how to lift heavy equipment.
- Attach the product safely during transportation in order to prevent transport damage and accidents. Use the tie down lugs on both sides of the product.
- Engage the locking caster safely on the wheels.
- If possible, do the transportation of the product during good weather conditions.

- If possible, use a closed vehicle during transportation of the product.

Storage of the product

- The product must be stored inside away from outdoor elements.
- Do not expose the product to rain or moisture.
- Attach the locking casters safely.
- Disconnect the product from the power source.
- Store the product and the equipment in a dry area with no frost or excessive heat.
- Store all equipment in an locked area, so that it is out of reach of children and unauthorized persons.

Technical data

Technical data

Data	T 4000	T 7500	T 10000
Energy efficiency level	IE1	IE3	IE3
Voltage (3 phase), V	380-415	380-415	380-415
Frequency, HZ	50	50	50
Power (max), kW (HP)	4 (5.4)	5.5 (7.4)	11 (14.7)
Plug amperage, A	16	16	32
Number of poles, p	2	2	2
Rated RPM, min-1	2900	2890	2890
Max altitude above sea level, m	1000	1000	1000
Ambient air temperature, °C	-20 - +40	-20 - +40	-20 - +40
Max operating temperature, °C	160	155	155
Rated efficiency (%) at rated load (%)	75	*	89.6
	50	*	88.9
The power losses expressed in percentage (%) of the rated output power at the following different operating points for speed (%) versus torque (%)	90/100	*	9.6
	90/50	*	4.7
	50/100	*	7.9
	50/50	*	3
	50/25	*	1.8
	25/100	*	N/A
	25/25	*	1.1
Airflow (max), m ³ /h (cfm)	400 (236)	600 (353)	900 (530)
Vacuum (max), kPa (psi)	26 (110)	28 (110)	30 (120)
Main hose, m (ft)	10 (32)	10 (32)	10 (32)
Inlet diameter, mm (in.)Camlock	63 (3)	76 (3)	76 (3)
Pre-filter, %	>99.5%@1um	>99.5%@1um	>99.5%@1um
Pre-filter area, m ² (ft ²)	4.5 (48.4)	2.9 (31.2)	3,9 (41.9)
Hepa filter 99.99%@0.3um	2	2	3
Total Hepa filter area, m ² (ft ²)	2.4 (25.8)	5 (53.8)	7.5 (80.7)
Sound level, dB(a)	74	74	74
Dust collection system, type	Longopac	Longopac	Longopac
Dimensions (L*W*H) mm (in.)	885x600x1515 (34.9x23.7x59.7)	1245x686x1753 (49.1x27.1x69.1)	1400x736x1727 (55.2x29.0x68.0)

Data	T 4000	T 7500	T 10000
Weight, kg (lbs)	106 (237)	206 (454)	336 (740)

*) Reason for exemption from regulation EU/2019/1781:
Motor is completely integrated into a product.

To order go to Discount-Equipment.com

Declaration of Conformity

EU Declaration of Conformity

Description	Dust Collector
Brand	HUSQVARNA
Type / Model	T 4000, T 7500, T 10000
Identification	Serial numbers dating from 2021 and onwards

complies fully with the following EU directives and regulations:

Directive / Regulation	Description
2006/42/EC	"relating to machinery"
2014/30/EU	"relating to electromagnetic compatibility"
2014/35/EU	"relating to electrical equipment"
2011/65/EU	"relating to restriction of hazardous substances"

and that the following standards and/or technical specifications are applied;

EN ISO 12100:2010

EN 55014-1:2017

EN 55014-2:2015

EN 61000-3-2:2014

EN 61000-3-3:2013

EN 60335-2-69:2016

EN IEC 63000:2018

Partille, 2022-01-24

UK Declaration of Conformity

Description	Dust Collector
Brand	HUSQVARNA
Type / Model	T 4000, T 7500, T 10000
Identification	Serial numbers dating from 2021 and onwards

complies fully with the following UK regulations:

The Supply of Machinery (Safety) Regulations 2008
Electromagnetic Compatibility Regulations 2016
The Electrical Equipment (Safety) Regulations 2016
The Restriction of the Use of Certain Hazardous Substances in Electrical and Electronic Equipment Regulations 2012

and that the following standards and/or technical specifications are applied;

EN ISO 12100:2010

EN 55014-1:2017

EN 55014-2:2015

EN 61000-3-2:2014

EN 61000-3-3:2013

EN 60335-2-69:2016

EN IEC 63000:2018

Partille, 2022-01-24

Inhalt

Einleitung.....	19	Fehlerbehebung.....	30
Sicherheit.....	23	Transport, Lagerung und Entsorgung.....	31
Montage.....	25	Technische Daten.....	32
Betrieb.....	26	Konformitätserklärung.....	34
Wartung.....	27		

Einleitung

Pflichten des Betreibers



WARNUNG: Die Verarbeitung von Beton und Stein mittels Verfahren wie Schneiden, Schleifen oder Bohren erzeugt (insbesondere im Trockenbetrieb) Staub, der aus dem zu bearbeitenden Material stammt und häufig Siliziumdioxid enthält. Siliziumdioxid ist ein grundlegender Bestandteil von Sand, Quarz, Ziegelton, Granit und zahlreichen anderen Mineralien und Gesteinen. Einer übermäßigen Menge davon ausgesetzt zu werden, kann folgende Gesundheitsrisiken verursachen:

Atemwegserkrankungen (die die Atmung beeinträchtigen), darunter chronische Bronchitis, Silikose und Lungenfibrose durch den Kontakt mit Siliziumdioxid. Diese Krankheiten können lebensgefährlich sein.

Hautreizungen und Hautausschlag.

Krebserkrankung gemäß NTP* und IARC* */ National Toxicology Program, Internationale Agentur für Krebsforschung.

Ergreifen Sie Vorsichtsmaßnahmen:

Vermeiden Sie das Einatmen von und den Hautkontakt mit Staub, Nebel und Dämpfen.

Tragen Sie geeigneten Atemschutz, und stellen Sie sicher, dass alle umstehenden Personen ebenfalls geeigneten Atemschutz tragen, wie z. B. Atemschutzmasken, die mikroskopisch kleine Partikel filtern. (Siehe OSHA 29 CFR Teil 1926.1153)

Verwenden Sie einen geeigneten Staubabsauger, um die Staubemissionen zu minimieren.

Der Eigentümer/Arbeitgeber ist verpflichtet, nur entsprechend ausgebildete Personen mit der Bedienung des Gerätes zu betrauen. Aufsichtspersonen und Bediener haben sämtliche Anweisungen in dieser

Bedienungsanleitung zur Kenntnis zu nehmen. Insbesondere ist auf Folgendes zu achten:

- Sicherheitshinweise des Geräts.
- Vorgesehene Anwendungsbereiche des Geräts.
- Nutzungs- und Wartungshinweise des Geräts.

Die Nutzung dieses Geräts ist möglicherweise durch nationale/örtliche Bestimmungen eingeschränkt. Erkundigen Sie sich vor der Inbetriebnahme des Geräts über geltende Bestimmungen.

Gerätebeschreibung

Das Gerät ist ein Staubabsauger mit Saugschlauch. Luft wird mit Staub über den Saugschlauch in ein Einlassventil gesaugt. Die Luftgeschwindigkeit wird durch einen Zyklon reduziert, sodass die Staubpartikel von der Luft getrennt werden. Kleine Staubpartikel und Luft werden durch ein System mit 2 Filtern geleitet. Große Staubpartikel werden im Zyklon gesammelt und fallen durch die untere Klappe in einen Plastikbeutel.

Verwendungszweck

Das Gerät dient zur Reinigung von Baubereichen und nimmt trockenen und nicht entzündlichen Staub in Innenbereichen auf.

Das Gerät kann an mittlere und große Geräte zur Betonbearbeitung wie Schleifmaschinen angeschlossen werden.

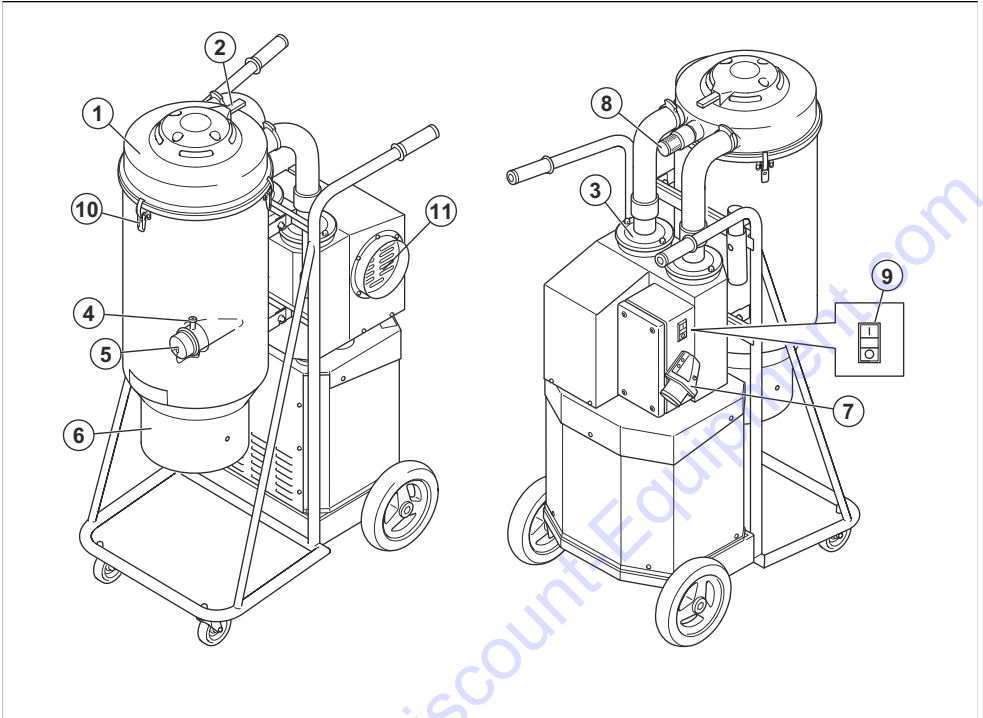
Das Gerät ist für die gewerbliche Nutzung vorgesehen, z. B. in Hotels, Schulen, Krankenhäusern, Fabriken, Geschäften, Büros und Mietunternehmen

Hinweis: Der Explosionsgrenzwert für den nicht entzündlichen Staub beträgt $>0,1 \text{ mg/m}^3$.

Staubbehältersystem

Alle HusqvarnaT-Line Dust Extractor sind mit Longopac zu verwenden. Wechseln Sie Longopac erst nach Abschluss des Filterreinigungszyklus.

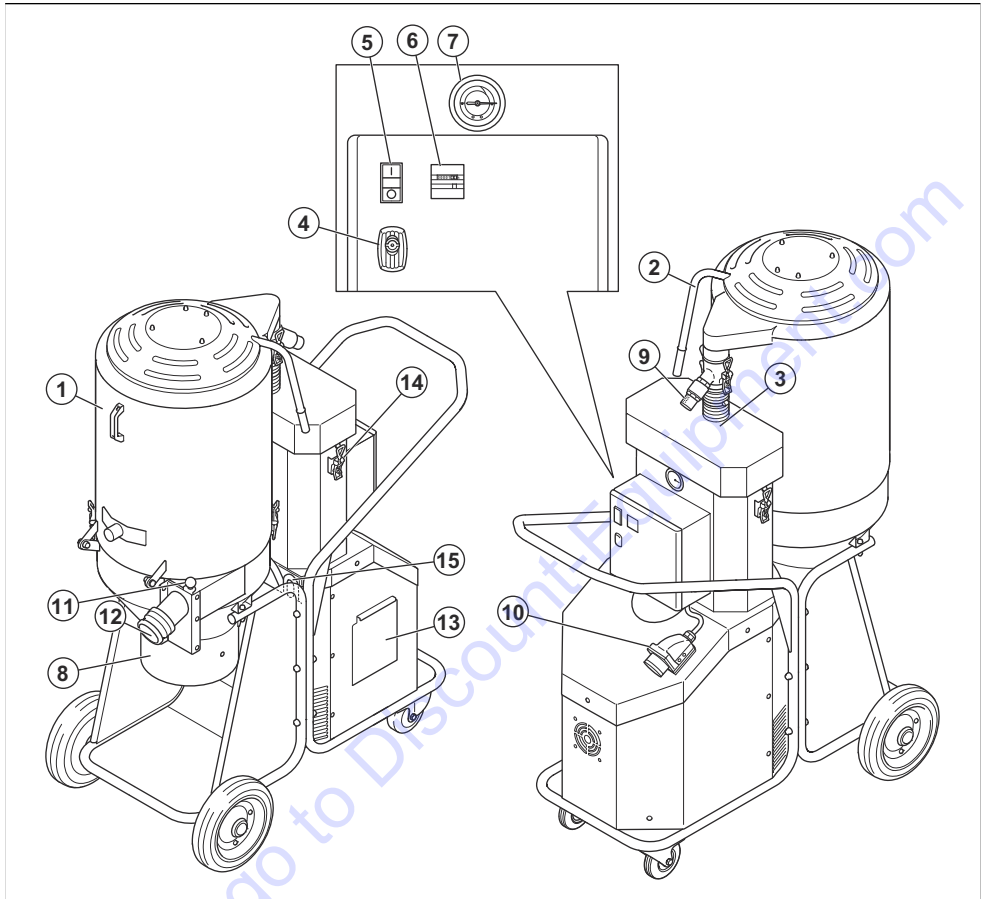
Produktübersicht T 4000



1. Vorfilter
2. Jet Pulse-Griff
3. Hepa filter
4. Schlauchverriegelung
5. Schlaucheinlass
6. Longopac Anschluss

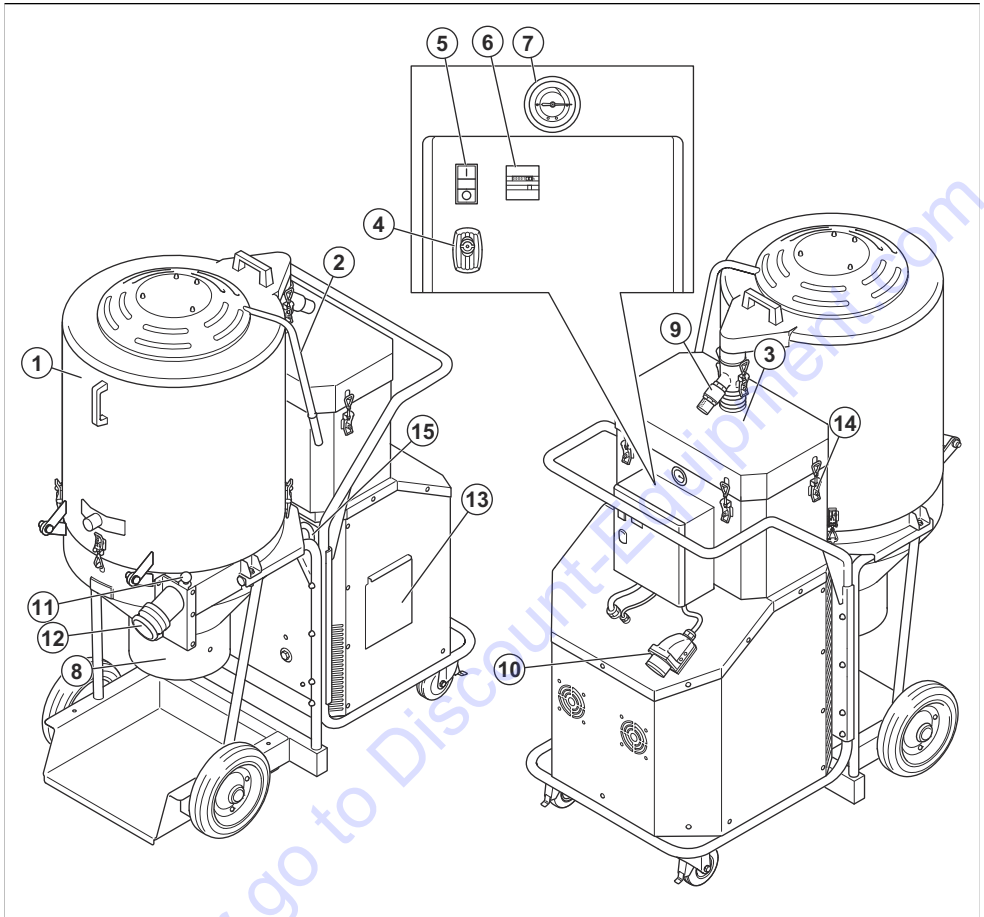
7. Steckdoseneingang mit Phasenwandler (EU, AU)
8. Druckentlastungsventil
9. Ein/Aus
10. Spannverschluss
11. Schlauchanschluss

Produktübersicht T 7500



- | | |
|--------------------------|---|
| 1. Vorfilter | 9. Druckentlastungsventil |
| 2. Jet Pulse-Griff | 10. Steckdoseneingang mit Phasenwandler |
| 3. Hepa filter | 11. Einlassventil |
| 4. Sperre zur Elektrobox | 12. Einlass |
| 5. Ein/Aus | 13. Mehrzweckklappe |
| 6. Betriebsstundenzähler | 14. Spannverschluss |
| 7. Manometer | 15. Befestigungsöse 2X |
| 8. Longopac Anschluss | |

Produktübersicht T 10000



1. Vorfilter
2. Jet Pulse-Griff
3. Hepa filter
4. Sperre zur Elektrobox
5. Ein/Aus
6. Betriebsstundenzähler
7. Manometer
8. Longopac Anschluss
9. Druckentlastungsventil
10. Steckdoseneingang mit Phasenwandler
11. Einlassventil
12. Einlass
13. Mehrzweckklappe
14. Spannverschluss
15. Befestigungsöse 2X

Symbole auf dem Gerät



Lesen Sie die Bedienungsanleitung sorgfältig durch und machen Sie sich mit dem Inhalt vertraut, bevor Sie das Gerät benutzen.



Tragen Sie stets einen zugelassenen Atemschutz.



Tragen Sie stets einen zugelassenen Gehörschutz.



Tragen Sie stets einen zugelassenen Augenschutz.

Produkthaftung

Im Sinne der Produkthaftungsgesetze übernehmen wir keine Haftung für Schäden, die unser Gerät verursacht, wenn...

- das Gerät nicht ordnungsgemäß repariert wird.
- das Gerät mit Teilen repariert wird, die nicht vom Hersteller stammen oder nicht vom Hersteller zugelassen sind.
- ein Zubehörteil mit dem Gerät verwendet wird, das nicht vom Hersteller stammt oder nicht vom Hersteller zugelassen ist.
- das Gerät nicht bei einem zugelassenen Service Center oder von einem zugelassenen Fachmann repariert wird.

Sicherheit

Sicherheitsdefinitionen

Warnungen, Vorsichtsmaßnahmen und Hinweise werden verwendet, um auf besonders wichtige Teile der Bedienungsanleitung hinzuweisen.



WARNUNG: Wird verwendet, wenn bei Nichtbeachtung der Anweisungen in diesem Handbuch die Gefahr von Verletzung oder Tod des Bedieners oder anderer Personen besteht.



ACHTUNG: Wird verwendet, wenn bei Nichtbeachtung der Anweisungen in diesem Handbuch die Gefahr von Schäden am Gerät, an anderen Materialien oder in der Umgebung besteht.

Hinweis: Für weitere Informationen, die in bestimmten Situationen nötig sind.

Allgemeine Sicherheitshinweise



WARNUNG: Lesen Sie die Warnhinweise, bevor Sie das Gerät benutzen.

- Gehen Sie stets vorsichtig vor und arbeiten Sie mit gesundem Menschenverstand. Wenn Sie in eine Situation geraten, in der Sie unsicher sind, sollten Sie einen Fachmann um Rat fragen. Wenden Sie sich an Ihren Händler, Ihre Servicewerkstatt oder einen erfahrenen Benutzer. Vermeiden Sie jede Arbeit, für die Sie nicht ausreichend qualifiziert sind!
 - Lesen Sie die Bedienungsanleitung sorgfältig durch und machen Sie sich vor der Inbetriebnahme des Geräts mit den Anweisungen vertraut. Bewahren Sie alle Warnhinweise und Anweisungen für spätere Referenzzwecke auf.
 - Stellen Sie sicher, dass Sie die Anweisungen für das Hauptgerät lesen und verstehen, damit Sie wissen, welche persönliche Schutzausrüstung zu tragen ist, welche Schutzausrüstung zu verwenden ist und wie Sie sicher arbeiten.
- Denken Sie stets daran, dass Sie als Bediener für eventuell entstehende Sach- und Personenschäden verantwortlich sind.
 - Das Gerät kann falsch oder nachlässig angewendet gefährlich sein und zu schweren oder gar lebensgefährlichen Verletzungen des Bedieners oder anderer Personen führen.
 - Das Gerät ist sauber zu halten. Die Lesbarkeit aller Schilder und Aufkleber muss gewährleistet sein.
 - Der Gebrauch dieses Geräts ist Personen (einschließlich Kindern), die über eingeschränkte körperliche, sensorische oder geistige Fähigkeiten verfügen oder denen es an der erforderlichen Erfahrung und Kenntnissen mangelt, untersagt.
 - Dieses Gerät erzeugt beim Betrieb ein elektromagnetisches Feld. Dieses Feld kann sich unter bestimmten Bedingungen auf die Funktionsweise aktiver oder passiver medizinischer Implantate auswirken. Um die Gefahr von Situationen, die zu schweren oder tödlichen Verletzungen führen können, zu verringern, sollten Personen mit einem medizinischen Implantat vor der Nutzung dieses Gerätes mit ihrem Arzt und dem Hersteller des Implantats sprechen.
 - Halten Sie Kinder und unbefugte Personen vom Gerät fern, während es in Gebrauch ist.
 - Der Bediener muss in der Verwendung des Geräts entsprechend geschult worden sein.
 - Verwenden Sie dieses Gerät niemals, wenn Sie müde sind, Alkohol getrunken oder Medikamente eingenommen haben, die Ihre Sehkraft, Ihr Urteilsvermögen oder Ihre Körperkontrolle beeinträchtigen können.
 - Fassen Sie den Stecker und das Gerät nicht mit nassen Händen an.
 - Arbeiten Sie niemals mit einem defekten Gerät. Die Kontroll-, Wartungs- und Serviceanweisungen in dieser Bedienungsanweisung sind genau zu befolgen. Bestimmte Wartungs- und Servicemaßnahmen sind von geschulten, qualifizierten Fachleuten auszuführen. Siehe Anweisungen in *Wartung auf Seite 27*.

Elektrische Sicherheitshinweise



WARNUNG: Lesen Sie die folgenden Warnhinweise, bevor Sie das Gerät benutzen.

- Der Staubabsauger verfügt über einen Thermoschutz, um eine Überhitzung des Motors zu verhindern. Sollte der Thermoschutz aktiviert werden, schalten Sie das Gerät aus, ziehen Sie das Netzkabel am Stecker aus der Steckdose, und überprüfen Sie, ob der Staubbeutel voll oder der Saugschlauch oder der Filterblock verstopft ist. Die Rückstellung des Thermoschutzes kann bis zu 45 Minuten dauern.
- Vergewissern Sie sich vor der Verwendung des Staubabsaugers, dass Stromversorgung und Spannung der auf dem Typenschild des Geräts angegebenen Spannung entspricht, einschließlich Verlängerungskabel.
- Schließen Sie das Gerät ausschließlich an eine korrekt geerdete Steckdose an. Siehe *Erdungsanweisungen auf Seite 26*.
- Bei unsachgemäßem Anschluss der Geräte-Erdungsleitung besteht die Gefahr von elektrischen Schlägen. Wenden Sie sich an einen qualifizierten Elektriker oder Wartungstechniker, wenn Sie sich nicht sicher sind, ob die Steckdose ordnungsgemäß geerdet ist. Verändern Sie nicht den mit der Maschine gelieferten Stecker. Sollte der Stecker nicht in die Steckdose passen, muss eine geeignete Steckdose durch einen qualifizierten Elektriker installiert werden.
- Bei Verwendung eines Verlängerungskabels ist darauf zu achten, dass die Kabelnennwerte für dieses Gerät geeignet sind.
- Die Verwendung beschädigter Kabel kann gefährlich sein, daher müssen sie sofort ersetzt werden.
- Verwenden Sie das Gerät nicht, wenn ein Schaden am Kabel oder Stecker vorliegt. Wenn das Gerät nicht ordnungsgemäß funktioniert, fallen gelassen wurde, beschädigt ist, im Freien gelassen oder ins Wasser gefallen ist, Stellen Sie sicher, dass es durch eine qualifizierte Person repariert wird, um Gefahren abzuwenden.
- Überprüfen Sie das Kabel und den Stecker regelmäßig auf Beschädigung. Verwenden Sie das Gerät nicht, wenn ein Schaden am Kabel oder Stecker vorliegt.
- Ziehen oder heben Sie das Gerät nicht am Kabel hoch, verwenden Sie das Kabel nicht als Griff, klemmen Sie das Kabel nicht in oder unter einer Tür ein und ziehen Sie das Kabel nicht um scharfe Ecken und Kanten. Führen Sie keine Geräte über das Kabel. Halten Sie das Kabel von heißen Oberflächen fern.
- Ziehen Sie den Stecker nicht ab, indem Sie am Kabel ziehen. Ziehen Sie zum Ausstecken den Stecker

- Lassen Sie keine Maschine keinesfalls unbeaufsichtigt, wenn es angeschlossen wird. Ziehen Sie das Netzkabel aus der Steckdose, wenn das Gerät nicht verwendet wird und bevor Reinigungs- oder Wartungsarbeiten am Gerät vorgenommen werden.

Sicherheitshinweise für die Montage



WARNUNG: Lesen Sie die folgenden Warnhinweise, bevor Sie das Gerät montieren.

- Schalten Sie alle Bedienelemente aus, bevor Sie den Stecker des Geräts ziehen. Ziehen Sie den Stecker nicht ab, indem Sie am Kabel ziehen. Ziehen Sie zum Ausstecken den Stecker
- Unzulässige Änderungen und/oder Zubehör können zu schweren oder tödlichen Verletzungen des Benutzers oder anderer Personen führen.
- Es ist immer Originalzubehör zu verwenden.
- Verwenden Sie Aufsätze nur, wie in diesem Handbuch beschrieben. Verwenden Sie nur vom Hersteller empfohlene Aufsätze.
- Stellen Sie sicher, dass die Montagefläche fest ist, damit das Gerät nicht umkippen kann. Gefahr von Verletzungen und Sachschäden.
- Vorsicht: Bei der Montage des Geräts können die Spannverschlüsse zu Verletzungen führen.

Sicherheitshinweise für den Betrieb



WARNUNG: Lesen Sie die folgenden Warnhinweise, bevor Sie das Gerät verwenden.

- Das Gerät darf nicht in Umgebungen eingesetzt werden, in denen explosive Gase vorhanden sein können. Dies stellt eine erhebliche Explosionsgefahr dar.
- Nehmen Sie mit dem Gerät keine brennenden oder rauchenden Gegenstände oder Substanzen wie Zigaretten, Streichhölzer oder heiße Asche auf.
- Die hohe Saugkraft am Einlass kann zu Körperverletzungen führen.
- Seien Sie besonders vorsichtig, wenn Sie das Gerät in dunklen Bereichen bewegen. Das Gerät ist schwer und kann Verletzungen verursachen, wenn es umfällt oder zu schnell bewegt wird.
- Seien Sie sehr vorsichtig, wenn Sie das Gerät auf schrägen Oberflächen bewegen. Das Gerät ist schwer und kann Verletzungen verursachen, wenn es umfällt oder zu schnell bewegt wird.
- Das Gerät kann sich plötzlich in Bewegung setzen, wenn es nicht auf einer waagerechten Fläche abgestellt ist. Der Schwerpunkt ändert sich, wenn das Gerät mit Staub befüllt ist, was sich auf die Funktion der Feststellbremse auswirken kann.

Stellen Sie das Gerät nur auf waagerechten Flächen ab.

- Legen Sie während der Filterreinigung Ihre Hand nicht auf den Haupttank, da Einklemmgefahr besteht.
- Verwenden Sie das Gerät nicht, um entzündliche oder feuergefährliche Flüssigkeiten wie z. B. Benzin aufzunehmen, und verwenden Sie es nicht in Bereichen, in denen diese auftreten können.
- Halten Sie das Gerät frei von Staub, Haaren und Materialien, die den Luftstrom beeinträchtigen können.
- Stellen Sie sicher, dass keine Haare, Kleidungsstücke, Finger oder andere Körperteile in die Nähe von Öffnungen und beweglichen Teilen gelangen.
- Verwenden Sie das Gerät nicht ohne Staubbeutel und/oder Filter. Ersetzen Sie das Sammelsystem und/oder Filter gemäß den Anweisungen im Handbuch.



ACHTUNG: Dieses Gerät ist für die Aufnahme von trockenem, nicht entflammbarem Staub und Schmutz in Innenräumen vorgesehen. Es ist nicht für die Aufnahme von Flüssigkeiten geeignet.



ACHTUNG: Dieses Gerät ist nur für den Einsatz in geschlossenen Räumen bestimmt.



ACHTUNG: Dieses Gerät darf nur in geschlossenen Räumen gelagert werden.

Persönliche Schutzausrüstung



WARNUNG: Lesen Sie die folgenden Warnhinweise, bevor Sie das Gerät verwenden.

- Tragen Sie während des Betriebs immer eine zugelassene persönliche Schutzausrüstung. Die persönliche Schutzausrüstung schützt Sie zwar

nicht vollständig, vermindert aber das Ausmaß der Verletzungen bei einem Unfall. Sprechen Sie mit Ihrem Händler über Empfehlungen, welche Ausrüstung zu verwenden ist.

- Gefahr der Staubverteilung – Verwenden Sie eine geeignete persönliche Schutzausrüstung. Während des Filterwechsels kann gesundheitsschädlicher Staub austreten. Deshalb muss der Benutzer eine Schutzbrille, Schutzhandschuhe und einen Atemschutz gemäß Schutzklasse FFP3 tragen.
- Eine längerfristige Lärmeinwirkung kann zu bleibenden Gehörschäden führen. Tragen Sie stets einen zugelassenen Gehörschutz. Achten Sie immer genau auf Warnsignale oder Zurufe, wenn Sie den Gehörschutz tragen. Nehmen Sie den Gehörschutz immer ab, sobald der Motor abgestellt ist.
- Tragen Sie zugelassene Schutzhandschuhe, wenn Sie Wartungsarbeiten am Gerät durchführen.
- Tragen Sie eng anliegende, robuste und bequeme Kleidung, die volle Bewegungsfreiheit ermöglicht. Tragen Sie keine kurzen Hosen.

Sicherheitshinweise für die Wartung



WARNUNG: Lesen Sie die folgenden Warnhinweise, bevor Sie das Gerät verwenden.

- Stellen Sie sicher, dass sich der Motorschalter in der AUS-Stellung befindet. Trennen Sie das Gerät von der Stromversorgung.
- Ändern Sie nicht das ursprüngliche Design des Geräts.
- Alle Reparaturen müssen von einem qualifizierten Techniker durchgeführt werden. Verwenden Sie nur vom Hersteller gelieferte oder gleichwertige Ersatzteile.
- Stellen Sie sicher, dass Sie die richtige Sicherung verwenden, wenn Sie Wartungsarbeiten am Gerät durchführen.
- Tragen Sie zugelassene Schutzausrüstung. Siehe *Persönliche Schutzausrüstung auf Seite 25*
- Machen Sie kein Loch in den Hepa filter. Bei einem defekten Hepa filter kann Staub austreten.

Montage

Einleitung



ACHTUNG: Verwenden Sie nur Verlängerungskabel mit dem korrekten Nennwert für dieses Gerät. Schließen Sie

das Gerät nur an eine ordnungsgemäß geerdete Steckdose an.



ACHTUNG: Reinigen Sie den Vorfilter immer vor dem Wechseln des Beutel-Sammelsystems.

Vor der Verwendung



WARNUNG: Vergewissern Sie sich vor der Verwendung des Staubabsaugers, dass Stromversorgung und Spannung der auf dem Typenschild des Geräts angegebenen Spannung entspricht, einschließlich Verlängerungskabel.



WARNUNG: Schließen Sie das Gerät ausschließlich an eine korrekt geerdete Steckdose an. Siehe *Erdungsanweisungen auf Seite 26*.

Erdungsanweisungen

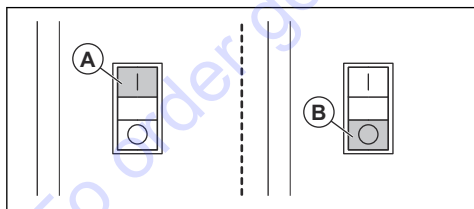


WARNUNG: Der Staubabsauger muss geerdet sein. Bei Fehlfunktion oder Ausfall, bietet die Erdung einen Weg des geringsten Widerstands für den elektrischen Strom, um die Gefahr von elektrischen Schlägen zu verringern. Der Staubabsauger verfügt über ein Kabel, das mit Geräteerdungsleiter und Erdungsstecker ausgestattet ist. Der Stecker muss in eine geeignete Steckdose gesteckt werden, die korrekt und gemäß allen örtlichen Vorschriften und Verordnungen montiert und geerdet ist.

Starten und stoppen

Drücken Sie die grüne Taste (A), um den Staubabsauger zu starten.

Drücken Sie die rote Taste (B), um den Staubabsauger anzuhalten.



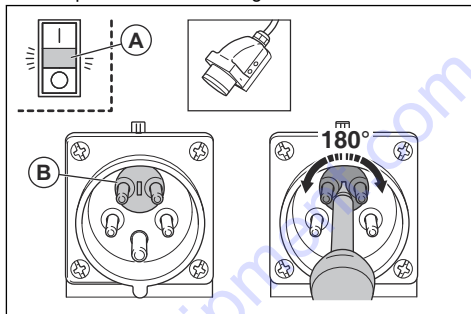
Phasenwandler

Hinweis: Gilt nicht für Modelle, die in Australien oder Neuseeland verkauft werden.



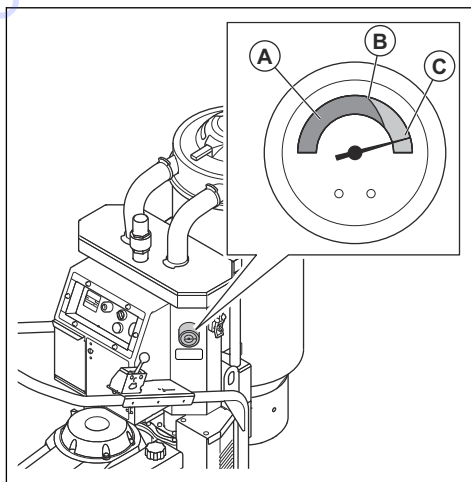
WARNUNG: Elektroarbeiten müssen von einem qualifizierten Elektriker durchgeführt werden.

Wenn die rote Lampe (A) zwischen der roten und der grünen Taste aufleuchtet, liegt ein Phasenfehler vor. Vertauschen Sie zum Zurücksetzen 2 Phasen (B). Dies ist eine Sicherheitsmaßnahme, um sicherzustellen, dass die Pumpe nicht zu blasen beginnt.



So überwachen Sie den Zustand des Filters

Das Gerät verfügt über ein Manometer zur Überwachung des Filterzustands. Das Manometer zeigt die Gesamtlast des Geräts in 3 Stufen an: (A) maximale Saugstufe (0 m/s), (B) Filterreinigungsstufe und (C) Stufe ohne Last.



1. Reinigen Sie den Vorfilter, wenn sich das Manometer oberhalb der Filterreinigungsstufe (B) befindet. Siehe *So reinigen Sie den Vorfilter auf Seite 28*.
2. Ersetzen Sie den Hepa filter-Filter, wenn die Saugleistung weiterhin nicht ausreicht. Siehe *So tauschen Sie den Hepa filter aus auf Seite 29*.

Wartung

Einleitung

derartige Einsätze sorgfältig plant und dabei vorsichtig vorgeht.



WARNUNG: Verwenden Sie eine geeignete Sicherheitsausrüstung, siehe *Persönliche Schutzausrüstung auf Seite 25* während des Betriebs. Während Wartung und Service kann Staub freigesetzt werden.



WARNUNG: Sofern nicht anders angegeben, muss der Motor bei den in diesem Kapitel beschriebenen Arbeiten ausgeschaltet sein.



WARNUNG: Die meisten Unfälle ereignen sich bei der Störungsbehebung, dem Service oder der Wartung der Maschine, weil das Wartungspersonal sich hierfür im Sicherheitsbereich der Maschine aufhalten muss. Unfälle können allein dadurch verhindert werden, dass man



WARNUNG: Die Überprüfung elektrischer Bauteile darf ausschließlich von einem lizenzierten Elektriker durchgeführt werden.

Wartungsplan T-Line Dust Extractor

Die Wartungsintervalle werden anhand der täglichen Nutzung des Geräts berechnet. Die Intervalle ändern sich, wenn das Gerät nicht täglich verwendet wird.

Wartung	Vor jedem Gebrauch	Täglich	Wöchentlich	Wenn die Saugleistung niedrig ist	6 Monate oder 1000 h	12 Monate oder 2000 h
Vor dem Anschluss des Geräts auf Anzeichen von Verschleiß, Beschädigung oder losen Anschlüssen der Bedienelemente achten.	X					
Sicherstellen, dass das Longopac korrekt ist.		X				
Den Filter-Reinigungsmechanismus prüfen.		X				
Staubschlauch und Anschlüsse prüfen.		X				
Die Räder prüfen. Das Gerät auf Beschädigungen und fehlerhafte Anschlüsse prüfen.			X			
Den Vorfilter reinigen.				X		
Den Vorfilter ersetzen.				X	X	
Den Hepa filter-Filter ersetzen				X		X

So reinigen Sie den Staubabsauger

Es ist wichtig, den Staubabsauger zu reinigen, um eine Zirkulation gefährlicher Stäube zu vermeiden. Reinigen Sie den Staubabsauger immer, bevor er aus dem Arbeitsbereich bewegt wird.



WARNUNG: Stellen Sie den Motorschalter auf AUS und trennen Sie das Kabel von der Stromversorgung, bevor Sie das Gerät reinigen oder warten.

- Alle einmal benutzten Geräte müssen als verunreinigt angesehen und danach behandelt werden.
- Alle Teile, die nach Servicearbeiten verunreinigt sind, müssen ordnungsgemäß in Plastiktüten entsorgt werden. Beachten Sie die lokalen Vorschriften.
- Verwenden Sie beim Reinigen des Gerätes immer geeignete persönliche Schutzausrüstung. Siehe *Persönliche Schutzausrüstung auf Seite 25*.
- Reinigen Sie die äußere Oberfläche mit einem feuchten Tuch.
- Reinigen Sie die Filter und den Staubabsauger im entsprechenden Bereich.
- Saugen Sie den Vorfilter von innen ab. Verwenden Sie für die Staubabsauger immer Hepa filter und eine weiche Bürste, um den Filter nicht zu beschädigen.
- Verwenden Sie für die elektrischen Komponenten kein Wasser.
- Reinigen Sie den Staubabsauger nicht mit Hochdruck (Luft oder Wasser).
- Legen Sie keine Werkzeuge auf die Oberfläche des Filters, denn der Filter kann auf diese Weise beschädigt werden.
- Achten Sie darauf, dass kein Loch im Hepa filter ist, denn dies würde ein Gesundheitsrisiko darstellen.



ACHTUNG: Verwenden Sie kein Wasser zur Reinigung der Filter.

1. Während der Staubabsauger läuft, den Einlass mit dem Einlassstopfen oder Einlassventil verschließen.
2. Lassen Sie den Staubabsauger 5 Sekunden lang ein Vakuum aufbauen, drücken Sie dann den Jet Pulse-Griff und halten Sie ihn 5 Sekunden lang gedrückt.
3. Wiederholen Sie Schritt 2 fünf Mal. Es ist wichtig, den Staubabsauger zwischen den einzelnen Wiederholungen erneut ein Vakuum erzeugen zu lassen.
4. Wenn die Saugleistung weiterhin unzureichend ist, muss der Filter ausgetauscht werden. Tauschen Sie den Kunststoffbeutel erst nach der Reinigung des Filters aus.

Der Vorfilter

Verwenden Sie nur Husqvarna-Filter. Leistung und Filtereffizienz können nur mit Originalfiltern gewährleistet werden.



WARNUNG: Ersetzen Sie nicht nur ein Rohr. Ist eines defekt, muss der gesamte Filter ersetzt werden.

So tauschen Sie den Vorfilter aus

1. Lösen Sie die beiden Spannverschlüsse zwischen dem Tank und dem unteren Zyklon.
2. Lösen Sie die beiden Spannverschlüsse am Schlauchanschluss zwischen dem Tank und der Hepa filter-Abdeckung.
3. Drehen Sie den Tank nach vorne.
4. Drehen Sie die Filterplatte 10 Grad gegen den Uhrzeigersinn und drehen Sie den Filter und die Halterung vorsichtig um.
5. Legen Sie einen Plastikbeutel unter die Filtereinheit.
6. Heben Sie den Filter vorsichtig in den Beutel, und schließen Sie ihn. Der Beutel müssen entsorgt werden. Beachten Sie die lokalen Entsorgungsvorschriften.
7. Setzen Sie ein neues komplettes Filterpaket in umgekehrter Reihenfolge ein.

So tauschen Sie den Vorfilter aus, T 4000



ACHTUNG: Wenn Sie den Vorfilter entfernen, um ihn zu reinigen, arbeiten Sie nur mit niedrigem Wasserdruck, zunächst innen, dann außen. Gewaltanwendung, die Verwendung von hohem Wasserdruck oder Druckluft, führen zur Zerstörung des Filters. Der Filter muss zu 100 % trocken sein, bevor Sie ihn wieder in das Gehäuse einsetzen.

Filterwechsel



WARNUNG: Tragen Sie während des Filterwechsels eine persönliche Sicherheitsausrüstung, siehe *Persönliche Schutzausrüstung auf Seite 25*. Während des Filterwechsels kann Staub austreten.



WARNUNG: Stellen Sie vor dem Filterwechsel den Motorschalter auf Aus und trennen Sie das Kabel von der Stromversorgung.



WARNUNG: Vorsicht: Bei der Montage des Geräts können die Spannverschlüsse zu Verletzungen führen.

So reinigen Sie den Vorfilter

Der Filter muss von Zeit zu Zeit gereinigt werden. Dies muss vor dem Wechseln des Plastikbeutel-Sammelsystems erfolgen und sollte auch nach Beendigung der Arbeit oder bei schlechter Saugleistung durchgeführt werden.



ACHTUNG: Vermeiden Sie es, Gegenstände gegen die Filteroberfläche zu stoßen oder darüber zu ziehen, da dies den Filter beschädigen kann.

1. Lösen Sie die drei Spannverschlüsse und entfernen Sie das Oberteil.
2. Nehmen Sie den Beutel des neuen Filters.
3. Heben Sie den Filter heraus, und schieben Sie ihn vorsichtig in einen Plastikbeutel.

Hinweis: Dieser Beutel muss ordnungsgemäß entsorgt werden.

4. Heben Sie den Filter heraus, und schieben Sie ihn vorsichtig in einen Plastikbeutel.

So tauschen Sie den Hepa filter aus



ACHTUNG: Reinigen Sie den Hepa filter nicht, da dies den Hepa filter zerstören kann. Berühren Sie beim Einsetzen des neuen Filters nicht das Innere des Filters. Jede Art von Kraft/Beschädigung an der Innenseite des Filtermediums führt zur Zerstörung des neuen Filters.



ACHTUNG: Berühren Sie beim Einsetzen eines Ersatz-Hepa filter nicht die innere Oberfläche des Filters. Eine Beschädigung der Filterinnenfläche kann dazu führen, dass der Filter nicht mehr funktioniert.

1. Lösen Sie die Spannverschlüsse des Filterdeckels und nehmen Sie den Deckel ab.
2. Heben Sie den Filter vorsichtig in einen sauberen Plastikbeutel.

Hinweis: Dieser Beutel muss ordnungsgemäß entsorgt werden.

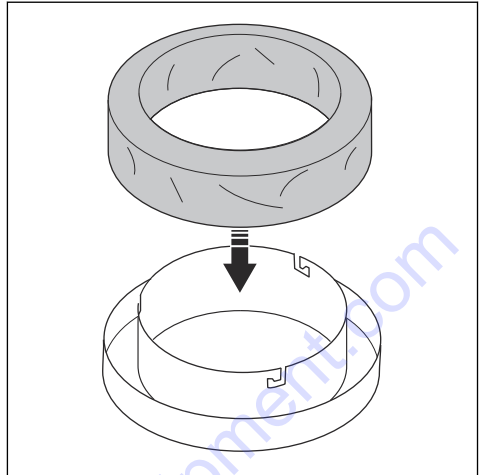
3. Setzen Sie einen neuen Filter in umgekehrter Reihenfolge ein.

So installieren Sie einen neuen Longopac-Staubbeutel:

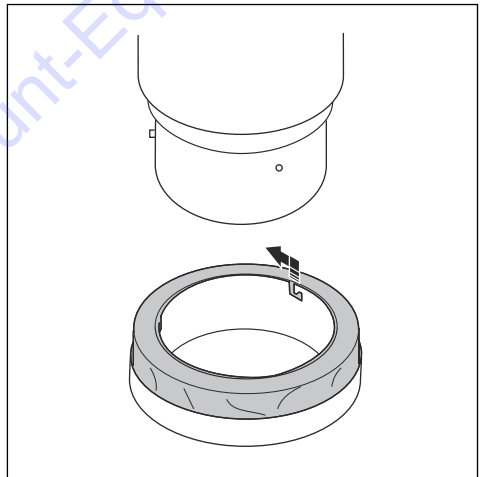


WARNUNG: Reinigen Sie stets den Vorfilter, bevor Sie den Longopac-Staubbeutel ersetzen.

1. Setzen Sie den Longopac-Staubbeutel in den Halter.

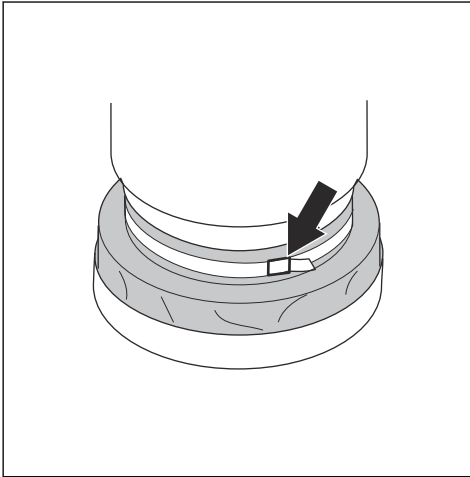


2. Um den Longopac-Staubbeutelhalter zu befestigen, drehen Sie den Longopac-Staubbeutelhalter, bis die Stifte in den Schlitz einrasten.

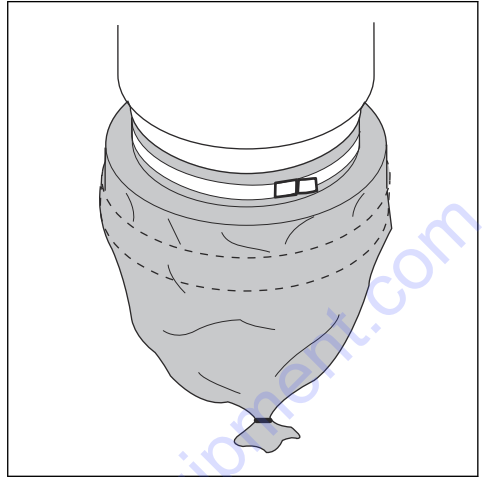


3. Ziehen Sie den Longopac-Beutel vom Halter nach oben und legen Sie ihn um den Behälter.

4. Ziehen Sie ein Band um den Longopac-Staubbeutel und den Behälter, um den Beutel ordnungsgemäß am Behälter zu befestigen.



6. Verschließen Sie das untere Ende des Longopac-Staubbeutels mit einem Kabelbinder.



5. Ziehen Sie den Longopac-Staubbeutel an der Außenseite des Beutelhalters nach unten.

Fehlerbehebung

Problemlösung

Problem	Ursache	Lösung
Der Motor startet nicht	Keine Stromversorgung	Maschine einstecken
	Kabel defekt	Kabel ersetzen
	Schalter defekt	Schalter austauschen
	Schützkombination defekt	Schützkombination ersetzen
	Phasenfehler (rote Lampe leuchtet)	Zwei Phasen vertauschen
Motor stoppt sofort nach dem Anlassen	Falsche Sicherung	An richtige Sicherung anschließen
	Kurzschluss im Kabel/Maschine	Kundendienst beauftragen
Motor läuft, aber keine Ansaugung	Schlauch nicht angeschlossen	Schlauch anschließen
	Schlauch verstopft	Schlauch reinigen
	Kein Staubfangbeutel	Staubfangsystem montieren

Problem	Ursache	Lösung
Der Motor läuft, aber die Saugleistung ist gering	Loch im Schlauch	Schlauch ersetzen
	Filter verstopft	Filter reinigen/austauschen
	Obere Abdeckung gelöst	Einstellen
	Schmutz in der Klappe	Klappe reinigen
	Defekte Dichtungen	Betroffenen Dichtungen ersetzen
Staub wird aus Motor ausgeblasen	Falsch montiertes oder beschädigtes Filtersystem	Filter anpassen/austauschen
Ungewöhnliche Geräusche		Kundendienst beauftragen

Transport, Lagerung und Entsorgung

Transport des Gerätes

- Vergewissern Sie sich vor dem Transport des Gerätes, dass der Longopac-Beutel leer ist.
- Vergewissern Sie sich, dass der Longopac Beutel während des Transports am Gerät angebracht ist.
- Benutzen Sie vorsichtshalber Rampen oder Winden zum Anheben des Staubabsaugers. Holen Sie sich Hilfe, wenn Sie sich nicht sicher sind, wie Sie schwere Geräte anheben sollen.
- Achten Sie beim Transport des Produkts darauf, dass dieses gesichert ist und weder beschädigt wird noch Unfälle verursacht. Verwenden Sie die Befestigungsösen auf beiden Seiten des Geräts.
- Verriegeln Sie die Laufrollen ordnungsgemäß.
- Wenn möglich, führen Sie den Transport des Gerätes bei guten Wetterbedingungen durch.
- Wenn möglich, transportieren Sie das Gerät in einem geschlossenen Fahrzeug.

- Wenn Sie das Gerät nicht mehr benutzen, senden Sie es an einen Husqvarna-Händler oder entsorgen Sie es bei einer Recyclingstelle.

Lagerung des Produktes

- Das Gerät muss geschützt in geschlossenen Räumen aufbewahrt werden.
- Setzen Sie das Gerät weder Regen noch Feuchtigkeit aus.
- Verriegeln Sie die Laufrollen ordnungsgemäß.
- Trennen Sie das Gerät von der Stromversorgung.
- Lagern Sie das Gerät und die Ausrüstung in einem trockenen Bereich ohne Frost oder übermäßige Hitze.
- Lagern Sie die Ausrüstung in einem verschlossenen Raum, sodass sie für Kinder und Unbefugte unzugänglich ist.

So entsorgen Sie das Gerät

- Befolgen Sie die örtlichen Recyclinganforderungen und geltenden Vorschriften.

Technische Daten

Technische Daten

Daten		T 4000	T 7500	T 10000
Energieeffizienzstufe		IE1	IE3	IE3
Spannung (3-phasig), V		380-415	380-415	380-415
Frequenz, Hz		50	50	50
Leistung (max.), kW (PS)		4 (5,4)	5,5 (7,4)	11 (14,7)
Steckerstromstärke, A		16	16	32
Polzahl, p		2	2	2
Nenn Drehzahl, min-1		2900	2890	2890
Max. Höhe über dem Meeresspiegel, m		1000	1000	1000
Umgebungslufttemperatur, °C		-20+40	-20+40	-20+40
Max. Betriebstemperatur, °C		160	155	155
Nennwirkungsgrad (%) bei Nennlast (%)	75	*	89,6	89,6
	50	*	88,9	88,9
Die Leistungsverluste ausgedrückt in Prozent (%) der Nennausgangsleistung an den folgenden unterschiedlichen Betriebspunkten für Drehzahl (%) im Vergleich zum Drehmoment (%)	90/100	*	9,6	9,6
	90/50	*	4,7	4,7
	50/100	*	7,9	7,9
	50/50	*	3	3
	50/25	*	1,8	1,8
	25/100	*	-	-
	25/25	*	1,1	1,1
Luftstrom (max.), m ³ /h (cfm)		400 (236)	600 (353)	900 (530)
Sauger (max.), kPa (psi)		26 (110)	28 (110)	30 (120)
Hauptschlauch, m (ft)		10 (32)	10 (32)	10 (32)
Einlassdurchmesser, mm (Zoll), Camlock		63 (3)	76 (3)	76 (3)
Vorfilter, %		>99,5 %@1 um	>99,5 %@1 um	>99,5 %@1 um
Vorfilterbereich, m ² (ft ²)		4,5 (48,4)	2,9 (31,2)	3,9 (41,9)
Hepa filter 99,99 %@0,3 um		2	2	3
Gesamtfläche Hepa filter, m ² (ft ²)		2,4 (25,8)	5 (53,8)	7,5 (80,7)
Schallpegel, dB(a)		74	74	74
Staubauffangsystem, Art		Longopac	Longopac	Longopac
Abmessungen (L x B x H), mm (Zoll)		885 x 600 x 1515 (34,9 x 23,7 x 59,7)	1245 x 686 x 1753 (49,1 x 27,1 x 69,1)	1400 x 736 x 1727 (55,2 x 29,0 x 68,0)

Daten	T 4000	T 7500	T 10000
Gewicht, kg (lbs)	106 (237)	206 (454)	336 (740)

*) Grund für die Befreiung von der Verordnung EU/2019/1781: Der Motor ist vollständig in ein Gerät integriert.

To order go to Discount-Equipment.com

Konformitätserklärung

EU-Konformitätserklärung

Beschreibung	Staubabscheider
Marke	HUSQVARNA
Typ/Modell	T 4000, T 7500, T 10000
Identifizierung	Seriennummern ab 2021

die folgenden EU-Richtlinien und -Verordnungen erfüllt:

Richtlinie/Verordnung	Beschreibung
2006/42/EC	„Maschinenrichtlinie“
2014/30/EU	„EMV-Richtlinie“
2014/35/EU	„zu Funkanlagen“
2011/65/EU	„zur Beschränkung der Verwendung bestimmter gefährlicher Stoffe“

und dass die folgenden Normen und/oder technischen Daten angewendet werden;

EN ISO 12100:2010

EN 55014-1:2017

EN 55014-2:2015

EN 61000-3-2:2014

EN 61000-3-3:2013

EN 60335-2-69:2016

EN IEC 63000:2018

Partille, 2022-01-24

TO PURCHASE THIS PRODUCT PLEASE CONTACT US



**Equipment Financing and
Extended Warranties Available**



**Discount-Equipment.com is your online resource for
commercial and industrial quality parts and equipment sales.**

561-964-4949

visit us on line @ www.discount-equipment.com

Select an option below to find your Equipment

Search by Manufacturer

Search by Product Type

Request a Quote

We sell worldwide for the brands: Genie, Terex, JLG, MultiQuip, Mikasa, Essick, Whiteman, Mayco, Toro Stone, Diamond Products, Generac Magnum, Airman, Haulotte, Barreto, Power Blanket, Nifty Lift, Atlas Copco, Chicago Pneumatic, Allmand, Miller Curber, Skyjack, Lull, Skytrak, Tsurumi, Husquvarna Target, Stow, Wacker, Sakai, Mi-T-M, Sullair, Basic, Dynapac, MBW, Weber, Bartell, Bennar Newman, Haulotte, Ditch Runner, Menegotti, Morrison, Contec, Buddy, Crown, Edco, Wyco, Bomag, Laymor, EZ Trench, Bil-Jax, F.S. Curtis, Gehl Pavers, Heli, Honda, ICS/PowerGrit, IHI, Partner, Imer, Clipper, MMD, Koshin, Rice, CH&E, General Equipment, Amida, Coleman, NAC, Gradall, Square Shooter, Kent, Stanley, Tamco, Toku, Hatz, Kohler, Robin, Wisconsin, Northrock, Oztec, Toker TK, Rol-Air, APT, Wylie, Ingersoll Rand / Doosan, Innovatech, Con X, Ammann, Mecalac, Makinex, Smith Surface Prep, Small Line, Wanco, Yanmar

Sommaire

Introduction.....	35	Dépannage.....	46
Sécurité.....	39	Transport, entreposage et mise au rebut.....	47
Montage.....	41	Caractéristiques techniques.....	48
Utilisation.....	42	Déclaration de conformité.....	50
Entretien.....	43		

Introduction

Responsabilité du propriétaire



AVERTISSEMENT: Le traitement du béton et de la pierre par des méthodes telles que la coupe, le meulage ou le forage, surtout pendant le fonctionnement à sec, génère de la poussière provenant du matériau traité, laquelle contient souvent de la silice. La silice est un composant de base du sable, du quartz, de l'argile de brique, du granit et de nombreux autres minéraux et roches. L'exposition à une quantité de poussière excessive peut entraîner :

Des maladies respiratoires (affectant votre capacité à respirer) causées par l'exposition à la silice dont la bronchite chronique, la silicose et la fibrose pulmonaire. Ces maladies peuvent être fatales ;

Des irritations et éruptions cutanées.

Le cancer selon le NTP* et le CIRC* ** / Programme national de toxicologie, Centre international de recherche sur le cancer.

Suivez les étapes de précaution suivantes :

Évitez toute inhalation et tout contact cutané avec la poussière, le brouillard et la fumée.

Portez et assurez-vous que toutes les personnes aux alentours portent une protection respiratoire appropriée, tel un masque anti-poussière conçu pour filtrer les particules microscopiques. (Consultez la norme 29 CFR partie 1926.1153 de l'OSHA)

Pour réduire les émissions de poussière, utilisez un extracteur de poussière approprié.

Il est de la responsabilité du propriétaire/de l'employeur de s'assurer que l'utilisateur possède les connaissances nécessaires pour manipuler le produit en toute sécurité. Les responsables et les utilisateurs doivent avoir lu et compris le Manuel de l'opérateur. Ils doivent avoir connaissance :

- Des consignes de sécurité de la machine.
- Des diverses applications de la machine et de ses limites.
- De la façon dont le produit doit être utilisé et entretenu.

Des législations nationales ou locales peuvent limiter l'utilisation de ce produit. Recherchez les législations applicables au lieu où vous travaillez avant d'utiliser le produit.

Description du produit

Le produit est un extracteur de poussière doté d'un tuyau d'aspiration. L'air chargé de poussière est aspiré par une soupape d'admission via le tuyau d'aspiration. La vitesse de l'air diminue sous l'action d'un cyclone, ce qui entraîne la séparation des particules de poussière et de l'air. Les petites particules de poussière et l'air passent par un système à 2 filtres. Les grosses particules de poussière sont collectées dans le cyclone et tombent par la trappe inférieure dans le sac à poussière en plastique.

Utilisation prévue

Le produit est utilisé pour nettoyer les zones de construction en ramassant la poussière sèche et non inflammable dans les environnements intérieurs.

Le produit peut être raccordé à des équipements de préparation des surfaces de moyenne et grande taille, tels que des ponceuses.

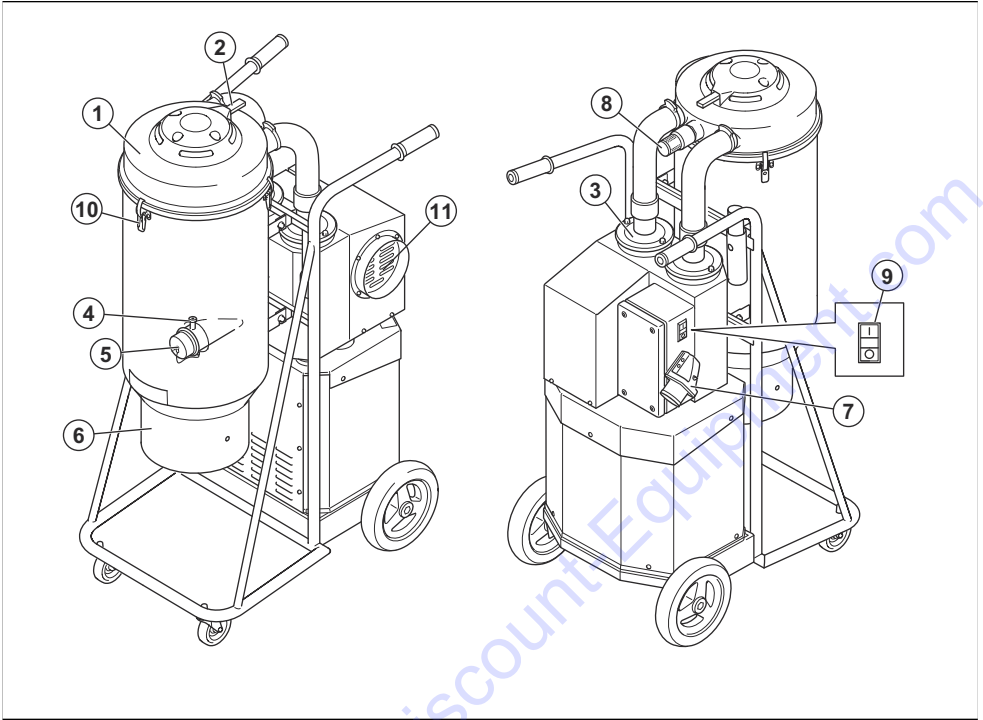
Le produit est conçu pour un usage commercial, par exemple dans les hôtels, écoles, hôpitaux, usines, boutiques, bureaux et entreprises de location

Remarque: La valeur limite d'explosion pour les poussières non inflammables est $> 0,1 \text{ mg/m}^3$.

Système de stockage de la poussière

Tous les Husqvarna T-Line Dust Extractor doivent être utilisés avec Longopac. Ne remplacez le Longopac qu'après le cycle de nettoyage du filtre.

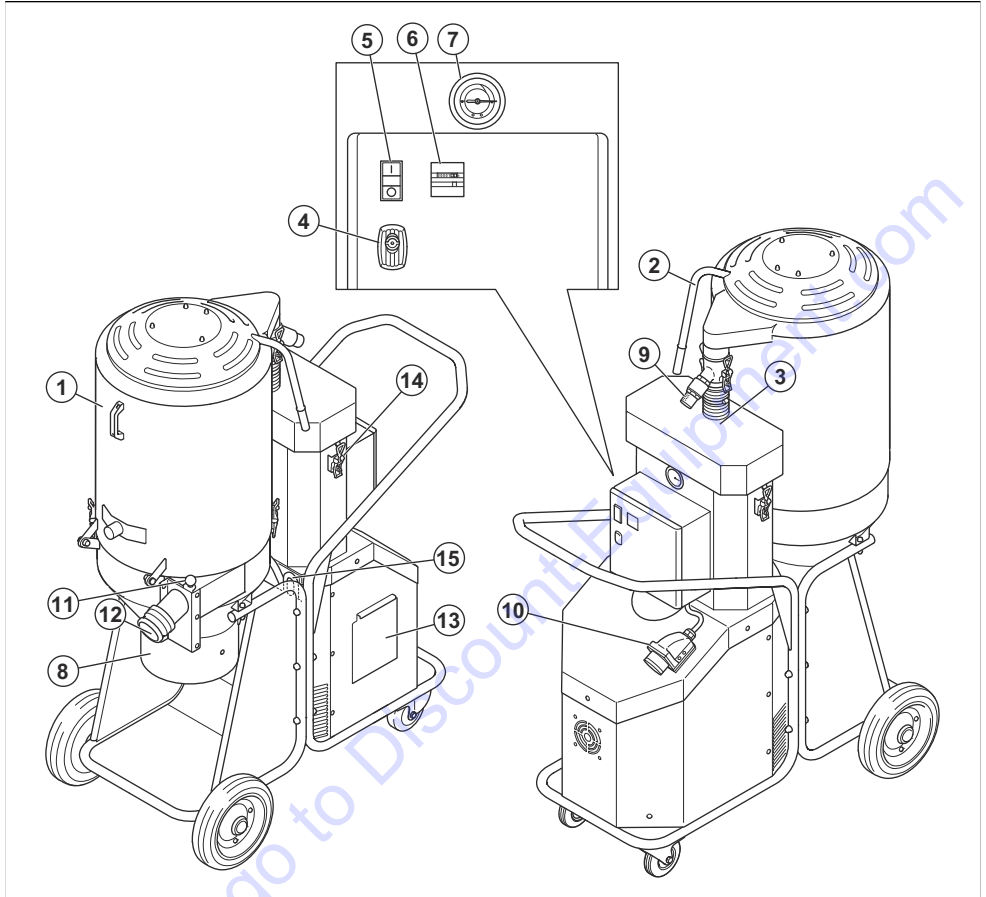
Présentation du produit T 4000



1. Pré-filtre
2. Poignée Jet Pulse
3. Hepa filter
4. Clapet
5. Bouchon d'admission
6. Raccord pour Longopac

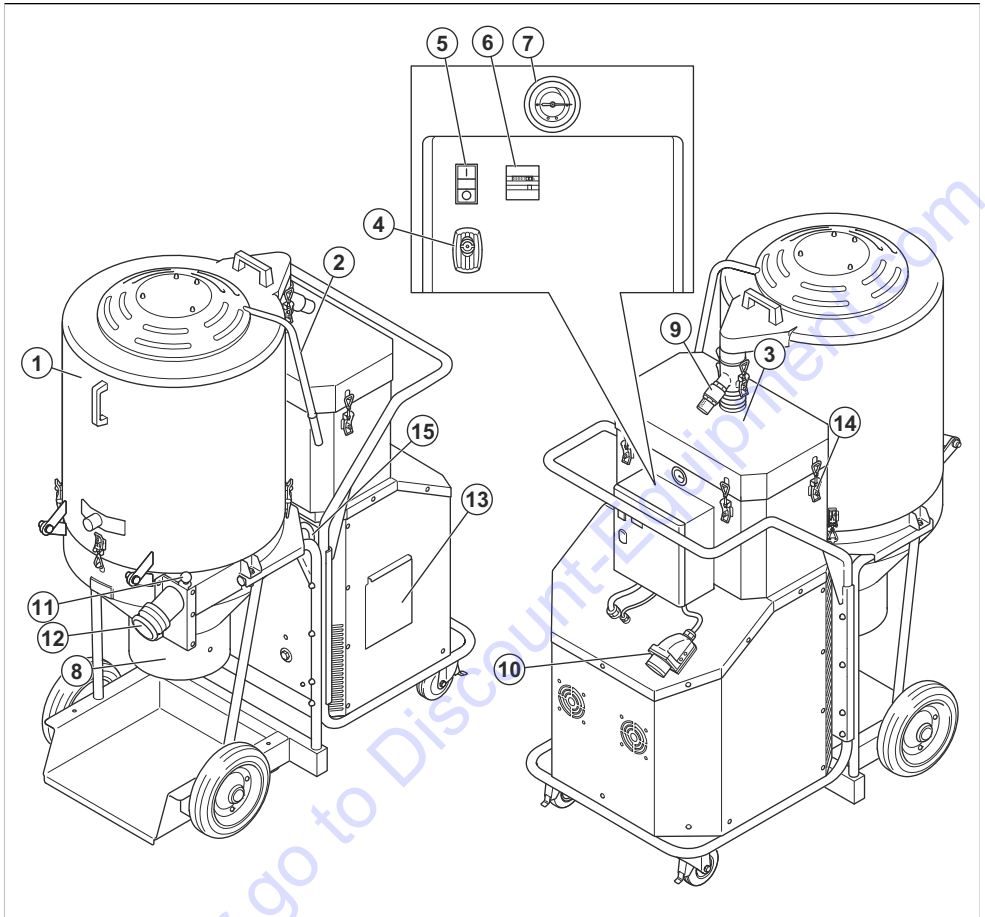
7. Fiche avec convertisseur de phase (UE, AU)
8. Soupape de décharge
9. On/Off
10. Fixation à bascule
11. Port de raccordement

Présentation du produit T 7500



- | | |
|---------------------------------------|---------------------------------------|
| 1. Pré-filtre | 9. Soupape de décharge |
| 2. Poignée Jet Pulse | 10. Fiche avec convertisseur de phase |
| 3. Hepa filter | 11. Soupape d'admission |
| 4. Verrouillage du coffret électrique | 12. Admission |
| 5. On/Off | 13. Trappe utilitaire |
| 6. Compteur horaire | 14. Fixation à bascule |
| 7. Manomètre | 15. Ergot d'arrimage 2X |
| 8. Raccord pour Longopac | |

Présentation du produit T 10000



1. Pré-filtre
2. Poignée Jet Pulse
3. Hepa filter
4. Verrouillage du coffret électrique
5. On/Off
6. Compteur horaire
7. Manomètre
8. Raccord pour Longpac
9. Soupape de décharge
10. Fiche avec convertisseur de phase
11. Soupape d'admission
12. Admission
13. Trappe utilitaire
14. Fixation à bascule
15. Ergot d'arrimage 2X

Symboles concernant le produit



Lisez attentivement et assimilez le manuel d'utilisation avant d'utiliser le produit.



Portez un masque respiratoire homologué en toutes circonstances.



Portez des protège-oreilles homologués en toutes circonstances.



Portez des protections pour les yeux homologuées en toutes circonstances.

Responsabilité

Conformément à la loi sur la responsabilité du fait des produits, nous déclinons toute responsabilité pour tout dommage causé par notre produit si :

- le produit n'est pas correctement réparé ;
- le produit est réparé avec des pièces qui ne proviennent pas du fabricant ou qui ne sont pas homologuées par le fabricant ;
- le produit est équipé d'un accessoire qui ne provient pas du fabricant ou qui n'est pas homologué par le fabricant ;
- le produit n'est pas réparé par un centre d'entretien agréé ou par une autorité homologuée.

Sécurité

Définitions de sécurité

Des avertissements, des recommandations et des remarques sont utilisés pour souligner des parties spécialement importantes du manuel.



AVERTISSEMENT: Symbole utilisé en cas de risque de blessures ou de mort pour l'opérateur ou les personnes à proximité si les instructions du manuel ne sont pas respectées.



REMARQUE: Symbole utilisé en cas de risque de dommages pour le produit, d'autres matériaux ou les environs si les instructions du manuel ne sont pas respectées.

Remarque: Symbole utilisé pour donner des informations supplémentaires pour une situation donnée.

Instructions générales de sécurité



AVERTISSEMENT: Lisez les avertissements avant d'utiliser le produit.

- Soyez toujours prudent et utilisez votre bon sens. Si vous pensez vous trouver dans une situation présentant des risques, arrêtez toute activité et consultez un spécialiste. Veuillez contacter votre revendeur, votre atelier de réparation ou un utilisateur expérimenté. Ne vous lancez pas dans une tâche si vous ne vous en sentez pas capable !
 - Lisez attentivement le manuel d'utilisation et assimilez les instructions avant d'utiliser le produit. Conservez tous les avertissements et toutes les instructions pour consultation ultérieure.
 - Assurez-vous de lire attentivement et de bien comprendre les instructions relatives au produit principal afin de savoir quels équipements personnels porter, quels équipements de sécurité utiliser et comment travailler en toute sécurité.
- N'oubliez pas que c'est vous, l'opérateur, qui êtes responsable de protéger les tiers et leurs biens de tout accident ou danger.
 - Utilisé de manière imprudente ou inadéquate, le produit peut devenir un outil dangereux, pouvant causer des blessures graves, voire mortelles à l'opérateur ou à d'autres personnes présentes.
 - Le produit doit rester propre. Les signes et autocollants doivent être parfaitement lisibles.
 - Ce produit n'est pas destiné à être utilisé par des personnes (ou des enfants) aux capacités physiques, sensorielles ou mentales limitées ou manquant d'expérience et de connaissances.
 - Ce produit génère un champ électromagnétique durant son fonctionnement. Ce champ peut dans certaines circonstances perturber le fonctionnement d'implants médicaux actifs ou passifs. Pour réduire le risque de blessures graves ou mortelles, nous recommandons aux personnes portant des implants médicaux de consulter leur médecin et le fabricant de leur implant avant d'utiliser cet appareil.
 - Tenez les enfants et les personnes non autorisées à l'écart de ce produit lors de son utilisation.
 - Les opérateurs doivent être suffisamment formés à l'utilisation du produit.
 - N'utilisez jamais ce produit si vous êtes fatigué, avez consommé de l'alcool ou pris des médicaments susceptibles d'affecter votre vue, votre vigilance, votre jugement ou la maîtrise de votre corps.
 - Ne manipulez pas la fiche ou le produit avec les mains mouillées.
 - N'utilisez jamais un produit s'il est défectueux. Appliquez les instructions de maintenance et d'entretien ainsi que les contrôles de sécurité indiqués dans ce manuel. Certaines opérations de maintenance et d'entretien doivent être réalisées par un spécialiste dûment formé et qualifié. Reportez-vous aux instructions de la section *Entretien à la page 43*.

Instructions relatives à la sécurité électrique



AVERTISSEMENT: Lisez les instructions qui suivent avant d'utiliser le produit.

- L'extracteur de poussière est équipé d'une protection thermique de sécurité afin d'éviter toute surchauffe du moteur. Si la protection thermique s'active, arrêtez la machine, débranchez le cordon d'alimentation et vérifiez si le sac à poussière est plein, si le tuyau d'aspiration est bouché ou si le filtre est colmaté. 45 minutes maximum peuvent être nécessaires pour la réinitialisation de la protection thermique.
- Avant d'utiliser l'extracteur de poussière, assurez-vous que la puissance et la tension correspondent aux données indiquées sur la plaque signalétique de la machine, y compris pour les rallonges électriques.
- Branchez-le uniquement sur une prise mise correctement à la terre. Reportez-vous à la section *Instructions de mise à la terre à la page 42*.
- Un mauvais branchement du fil de mise à la terre peut provoquer un choc électrique. Faites vérifier par un électricien professionnel ou par la personne chargée de l'entretien que la prise est correctement mise à la terre. Ne modifiez pas la fiche fournie ; si elle n'est pas compatible avec la prise, demandez à un électricien diplômé d'installer une prise qui convienne.
- Si vous utilisez une rallonge électrique, assurez-vous que son calibre est adapté à la machine.
- Les câbles endommagés par écrasement ou entaillés peuvent être dangereux et doivent être remplacés immédiatement.
- N'utilisez pas la machine si le cordon d'alimentation ou la fiche est endommagé(e). Si elle ne fonctionne pas correctement, est tombée, a été endommagée, oubliée dehors ou plongée dans l'eau. Assurez-vous de la faire réparer par une personne qualifiée pour éviter tout accident.
- Contrôlez régulièrement le cordon et la fiche pour déceler d'éventuels dommages. N'utilisez pas la machine si le cordon d'alimentation ou la fiche est endommagé(e).
- Évitez de tirer et de transporter la machine par le cordon, d'utiliser le cordon comme poignée, de coincer le cordon dans une porte et de tirer le cordon sur des bords ou des coins tranchants. Ne laissez pas l'équipement rouler sur le cordon. Maintenez le cordon à l'écart de surfaces chauffantes.
- Ne tirez pas sur le cordon pour débrancher la machine. Tirez sur la fiche,
- Ne laissez pas la machine sans surveillance lorsqu'elle est branchée. Débranchez le cordon d'alimentation lorsque la machine n'est pas utilisée et avant de la nettoyer ou de la réparer.

Consignes de sécurité pour l'assemblage



AVERTISSEMENT: Lisez les avertissements qui suivent avant d'assembler le produit.

- Désactivez toutes les commandes avant de débrancher la machine. Ne tirez pas sur le cordon pour débrancher la machine. Tirez sur la fiche,
- Toute modification et/ou accessoire non autorisé peut entraîner des blessures graves, voire mortelles à l'utilisateur ou à d'autres personnes présentes.
- N'utilisez que des accessoires et des pièces d'origine.
- Utilisez uniquement les accessoires comme décrit dans ce manuel. Utilisez uniquement des accessoires recommandés par le fabricant.
- Assurez-vous que la zone d'assemblage est stable afin d'éviter que le produit ne se renverse. Risques de blessures et de dégâts matériels.
- Faites preuve de prudence, car les fixations à bascule peuvent vous blesser lors de l'assemblage du produit.

Instructions de sécurité pour le fonctionnement



AVERTISSEMENT: Lisez les avertissements qui suivent avant d'utiliser le produit.

- Le produit ne doit pas être utilisé dans des milieux où des gaz explosifs peuvent être présents. Cela risquerait d'engendrer un risque grave d'explosion.
- Ne ramassez aucun objet brûlant ou incandescent, comme des cigarettes, des allumettes ou des cendres chaudes.
- La forte aspiration à vide à l'admission peut provoquer des blessures corporelles.
- Soyez très prudent lorsque vous déplacez le produit dans des endroits sombres. Le produit est lourd et il y a un risque de blessure si le produit tombe ou se déplace trop rapidement.
- Soyez très prudent lorsque vous déplacez le produit sur une surface en pente. Le produit est lourd et il y a un risque de blessure si le produit tombe ou se déplace trop rapidement.
- La machine peut se déplacer brusquement si elle n'est pas stationnée sur une surface horizontale. Le centre de gravité change lorsque la machine est remplie de poussière, ce qui peut affecter le fonctionnement du frein de stationnement. Stationnez la machine uniquement sur des surfaces horizontales.
- Ne posez pas la main sur le réservoir principal pendant le nettoyage du filtre, car il y a un risque de pincement.

- N'utilisez pas le produit pour collecter des liquides inflammables ou combustibles, tels que de l'essence, et ne l'utilisez pas dans des zones où ces éléments peuvent être présents.
- Ne laissez pas la poussière, des cheveux ou tout autre élément qui pourrait réduire le flux d'air s'accumuler.
- Les cheveux, vêtements amples, doigts et autres parties du corps doivent être tenus à l'écart des ouvertures et des pièces mobiles.
- N'utilisez pas le produit sans sac à poussière et/ou sans filtres. Remplacez le système de ramassage et/ou les filtres comme décrit dans ce manuel.



REMARQUE: Cette machine est conçue pour ramasser de la poussière et des débris secs et non inflammables dans un environnement intérieur. Elle ne convient pas pour la récupération de liquides.



REMARQUE: Ce produit est destiné à une utilisation en intérieur uniquement.



REMARQUE: Ce produit doit être stocké à l'intérieur uniquement.

Équipement de protection individuel



AVERTISSEMENT: Lisez les avertissements qui suivent avant d'utiliser le produit.

- Portez toujours un équipement de protection individuel agréé pendant le fonctionnement. L'équipement de protection individuel ne protège pas complètement, mais il diminue la gravité des blessures en cas d'accident. Contactez votre atelier d'entretien pour obtenir des recommandations sur l'équipement à utiliser.

- Risque de dispersion de la poussière - Utilisez un équipement individuel. De la poussière nocive peut se répandre lors du remplacement du filtre. Par conséquent, l'utilisateur doit porter des lunettes de protection, des gants de protection et un masque respiratoire conformes à la classe de protection FFP3.
- Une exposition prolongée au bruit risque de causer des lésions auditives permanentes. Utilisez toujours des protège-oreilles agréés. Soyez attentif aux signaux ou cris d'avertissement lorsque vous portez des protège-oreilles. Enlevez toujours vos protège-oreilles dès que le moteur s'arrête.
- Portez des gants de protection agréés lorsque vous procédez à l'entretien du produit.
- Portez des vêtements confortables, robustes et ajustés qui permettent une liberté totale de mouvement. Ne portez pas de short.

Instructions de sécurité pour l'entretien



AVERTISSEMENT: Lisez les avertissements qui suivent avant d'utiliser le produit.

- Assurez-vous que l'interrupteur du moteur est en position d'arrêt. Débranchez le produit de la prise murale.
- Ne modifiez pas la conception d'origine du produit.
- Toutes les réparations doivent être effectuées par un technicien qualifié. Utilisez uniquement des pièces de rechange fournies par le fabricant ou des pièces équivalentes.
- Assurez-vous d'utiliser le fusible approprié lors de l'entretien du produit.
- Utilisez un équipement de protection agréé. Reportez-vous à *Équipement de protection individuel à la page 41*
- Ne faites pas de trou dans le Hepa filter. Un Hepa filter cassé peut disperser la poussière.

Montage

Introduction

ce produit. Ne branchez le produit que sur une prise correctement mise à la terre.



REMARQUE: Utilisez uniquement une rallonge à la valeur nominale adéquate pour



REMARQUE: Nettoyez toujours le préfiltre avant le remplacement du système de sac de collecte.

Utilisation

Avant chaque utilisation

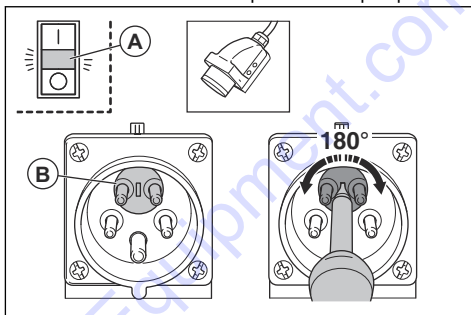


AVERTISSEMENT: Avant d'utiliser l'extracteur de poussière, assurez-vous que la puissance et la tension correspondent aux données indiquées sur la plaque signalétique de la machine, y compris pour les rallonges électriques.



AVERTISSEMENT: Les travaux électriques doivent être effectués par un électricien agréé.

Si le voyant rouge (A) entre le bouton rouge et le bouton vert s'allume, il y a une erreur de phase. Commutez 2 des phases pour réinitialiser (B). Il s'agit d'une mesure de sécurité visant à éviter l'explosion de la pompe.



AVERTISSEMENT: Branchez-le uniquement sur une prise mise correctement à la terre. Reportez-vous à *Instructions de mise à la terre à la page 42*

Instructions de mise à la terre



AVERTISSEMENT: L'extracteur de poussière doit être mis à la terre. En cas de panne ou de dysfonctionnement de la machine, la mise à la terre fournit un chemin de moindre résistance pour le courant électrique afin de réduire le risque de choc électrique. L'extracteur de poussière est équipé d'un cordon d'alimentation doté d'un fil de mise à la terre et d'une fiche de mise à la terre. La fiche doit être insérée dans une prise appropriée correctement installée et mise à la terre conformément aux normes et aux réglementations locales.

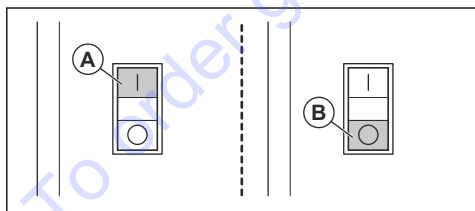
Pour surveiller l'état du filtre

Le produit est équipé d'un manomètre pour surveiller l'état du filtre. Le manomètre indique la charge totale du produit en 3 niveaux : (A) niveau de vide maximum (0 m/s), (B) niveau de nettoyage du filtre et (C) niveau sans charge.

Pour démarrer et arrêter

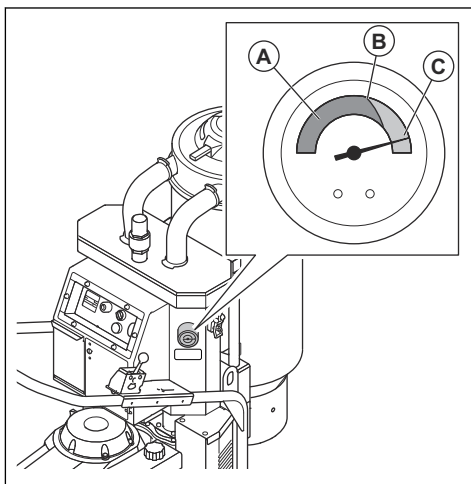
Appuyez sur le bouton vert (A) pour lancer l'extracteur de poussière.

Appuyez sur le bouton rouge (B) pour arrêter l'extracteur de poussière.



Convertisseur de phase

Remarque: Non applicable aux variantes vendues en Australie et en Nouvelle-Zélande.



1. Nettoyez le préfiltre si le manomètre est au-dessus du niveau de nettoyage du filtre (B). Reportez-vous à la section *Pour nettoyer le pré-filtre à la page 44*.

2. Remplacez le filtre Hepa filter si l'aspiration reste insuffisante. Reportez-vous à la section *Pour remplacer le Hepa filter à la page 45.*

Entretien

Introduction

machine. Prévenez des accidents en étant attentif et en planifiant et préparant le travail.



AVERTISSEMENT: Pendant l'entretien, utilisez un équipement de protection individuelle, reportez-vous à la section *Équipement de protection individuel à la page 41.* De la poussière peut être libérée pendant les travaux d'entretien ou de réparation.



AVERTISSEMENT: Le moteur doit, sauf mention contraire, être éteint lors des opérations décrites dans ce chapitre.



AVERTISSEMENT: La plupart des accidents impliquant des machines se produisent lors de dépannages, de réparations ou de travaux d'entretien, lorsqu'un membre du personnel doit pénétrer dans la zone de risque de la



AVERTISSEMENT: Toutes les vérifications concernant les composants électriques ne doivent être effectuées que par un électricien agréé.

Programme d'entretien de l'T-Line Dust Extractor

Les intervalles d'entretien sont calculés selon une utilisation quotidienne du produit. Les intervalles sont différents si le produit n'est pas utilisé tous les jours.

Entretien	Avant chaque utilisation	Tous les jours	Toutes les semaines	En cas d'aspiration faible	6 mois ou 1 000 h	12 mois ou 2 000 h
Recherchez des signes d'usure, de dommages ou des raccords desserrés au niveau des commandes avant de brancher l'unité.	X					
Vérifiez si le Longopac est correct.		X				
Vérifiez le mécanisme de nettoyage de filtre.		X				
Vérifiez le tuyau de poussière et les raccords.		X				
Vérifiez les roues. Recherchez des dommages et des mauvais raccords.			X			
Nettoyez le préfiltre.				X		
Remplacez le préfiltre.				X	X	
Remplacez le Hepa filter				X		X

Pour nettoyer l'extracteur de poussière

Il est important de nettoyer l'extracteur de poussière pour éviter toute circulation de poussière nocive. Nettoyez toujours l'extracteur de poussière avant de le déplacer de la zone de travail.



AVERTISSEMENT: Avant de nettoyer le produit ou d'en effectuer la maintenance, placez l'interrupteur de moteur en position d'arrêt et débranchez le cordon de la prise murale.

- Tout équipement utilisé une fois doit être considéré comme contaminé et être traité en conséquence.
- Une fois la maintenance terminée, toutes les pièces contaminées doivent être mises au rebut convenablement dans des sacs en plastique. Reportez-vous à la législation locale.
- Utilisez un équipement de protection individuel approprié lorsque vous nettoyez le produit. Reportez-vous à la section *Équipement de protection individuel à la page 41*.
- Nettoyez la surface externe avec un chiffon humide.
- Nettoyez les filtres et l'extracteur de poussière dans la zone de travail.
- Videz le pré-filtre depuis l'intérieur. Utilisez toujours les extracteurs de poussière avec un Hepa filter et une brosse douce pour ne pas endommager le filtre.
- N'utilisez pas d'eau sur les composants électriques.
- Ne nettoyez pas l'extracteur de poussière à haute pression (air ou eau).
- Ne placez pas d'outils sur la surface du filtre car cela pourrait l'endommager.
- Ne faites pas de trou dans le Hepa filter, car cela peut constituer un risque pour la santé.



REMARQUE: N'utilisez pas d'eau pour nettoyer les filtres.

1. Lorsque vous utilisez l'extracteur de poussière, touchez l'admission à l'aide du bouchon ou de la soupape d'admission.
2. Laissez l'extracteur de poussière produire du vide pendant 5 secondes, puis poussez rapidement la poignée Jet Pulse et maintenez-la vers le bas pendant 5 secondes.
3. Répétez l'étape 2 cinq fois. Il est important de laisser l'extracteur de poussière refaire le vide entre chaque répétition.
4. Si la qualité de l'aspiration ne s'améliore pas, remplacez le filtre. Ne remplacez le sac en plastique qu'une fois le nettoyage du filtre effectué.

Pré-filtre

Utilisez uniquement les filtres Husqvarna. Les performances et l'efficacité de la filtration ne peuvent être assurées qu'avec des filtres d'origine.



AVERTISSEMENT: Ne remplacez jamais un seul tube à la fois. Si l'un est cassé, il est nécessaire de remplacer le filtre complet.

Pour remplacer le pré-filtre

1. Desserrez les 2 attaches à bascule entre le réservoir et le cyclone inférieur.
2. Desserrez les 2 attaches à bascule situées sur la connexion de tuyau entre le réservoir et le couvercle du Hepa filter.
3. Faites tourner le réservoir vers l'avant.
4. Faites pivoter la plaque de filtre de 10 degrés dans le sens contraire des aiguilles d'une montre et retournez délicatement le filtre et son support à l'envers.
5. Installez un sac en plastique au-dessus de l'unité de filtre.
6. Soulevez le filtre avec précaution dans le sac et fermez-le. Le sac doit être mis au rebut. Reportez-vous aux réglementations locales en termes de mise au rebut.
7. Installez un filtre complet neuf en procédant dans l'ordre inverse.

Pour remplacer le pré-filtre, T 4000



REMARQUE: Lorsque vous retirez le pré-filtre afin de le nettoyer, utilisez uniquement de l'eau à basse pression que vous ferez couler de l'intérieur vers l'extérieur. Frapper le filtre avec force ou utiliser de l'eau à haute pression ou de

Remplacement du filtre



AVERTISSEMENT: lors du remplacement du filtre, utilisez un équipement de protection individuelle. Reportez-vous à la section *Équipement de protection individuel à la page 41*. De la poussière peut s'échapper lors du remplacement du filtre.



AVERTISSEMENT: mettez toujours l'interrupteur du moteur en position d'arrêt et débranchez le cordon de la prise murale lors du remplacement du filtre.



AVERTISSEMENT: faites preuve de prudence, car les fixations à bascule peuvent vous blesser lors de l'assemblage du produit.

Pour nettoyer le pré-filtre

Le filtre doit être nettoyé régulièrement. Cette opération doit être effectuée avant le remplacement du système de sac de collecte en plastique et doit également être effectuée lorsque le travail est terminé ou que la qualité d'aspiration est mauvaise.



REMARQUE: Évitez de heurter ou de faire glisser des éléments sur la surface du filtre car cela endommagerait le filtre.

l'air comprimé provoque la destruction du filtre. Le filtre doit être entièrement sec avant d'être remis en place.

1. Desserrez les 3 attaches à bascule et retirez la partie supérieure.
2. Retirez le sac du nouveau filtre.
3. Sortez le filtre et placez-le délicatement dans un sac en plastique.

Remarque: Ce sac doit être mis au rebut de manière appropriée.

4. Sortez le filtre et placez-le délicatement dans un sac en plastique.

Pour remplacer le Hepa filter



REMARQUE: Ne nettoyez pas le Hepa filter, le lavage du Hepa filter engendrerait sa destruction. Lors de l'installation du filtre de rechange, veillez à ne pas toucher l'intérieur du filtre. Tout type de force/dommage à l'intérieur de la couche filtrante provoque la destruction du filtre neuf.



REMARQUE: Ne touchez pas la surface interne du filtre lors de l'installation d'un Hepa filter de rechange. Des dommages sur la surface interne du filtre peuvent le rendre inutilisable.

1. Desserrez les attaches à bascule qui maintiennent en place le bouchon du filtre et déposez le filtre.
2. Soulevez soigneusement le filtre dans un sac en plastique propre.

Remarque: Ce sac doit être mis au rebut de manière appropriée.

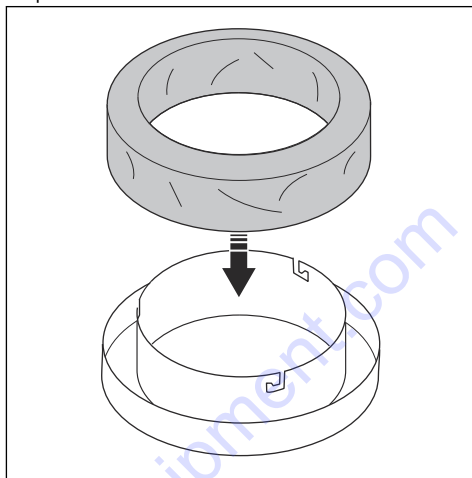
3. Insérez un nouveau filtre dans l'ordre inverse.

Pour installer un nouveau sac à poussière pour Longopac

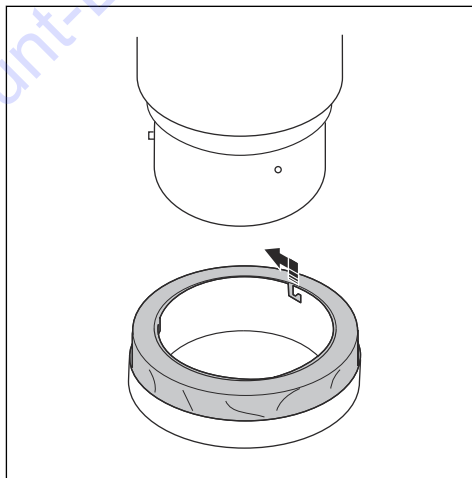


AVERTISSEMENT: Nettoyez toujours le préfiltre avant de remplacer le sac à poussière pour Longopac.

1. Mettez le sac à poussière pour Longopac dans le porte-sac.

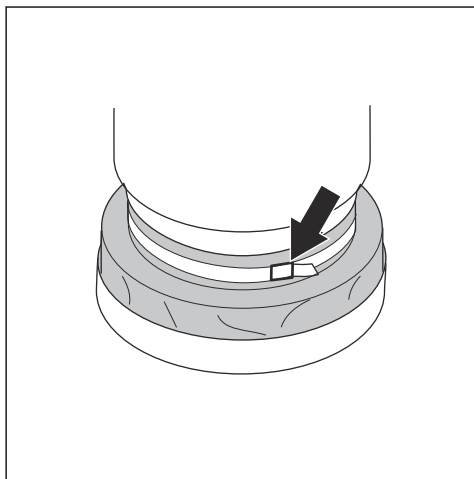


2. Pour fixer le porte-sac à poussière pour Longopac, tournez le porte-sac à poussière pour Longopac jusqu'à ce que les broches s'engagent dans les fentes.

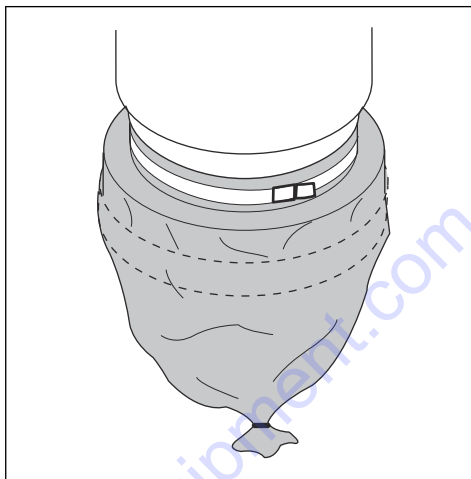


3. Retirez le sac pour Longopac du porte-sac en tirant vers le haut pour le placer autour du conteneur.

4. Enserrez le sac pour Longopac et le conteneur avec une sangle pour fixer correctement le sac sur le conteneur.



6. Fermez la base du sac à poussière pour Longopac avec un serre-câble.



5. Tirez sur le sac à poussière pour Longopac vers le bas sur le côté extérieur du porte-sac.

Dépannage

Guide de dépannage

Problème	Cause	Solution
Le moteur ne démarre pas	Absence de courant	Branchez la machine
	Câble défectueux	Remplacez le câble
	Interrupteur défectueux	Remplacez l'interrupteur
	Contacteur combiné défectueux	Remplacez le contacteur combiné
	Erreur de phase (le voyant rouge s'allume)	Commutez 2 phases
Le moteur s'arrête immédiatement après le démarrage	Mauvais fusible	Installez un fusible adapté
	Court-circuit dans le câble/machine	Faites examiner l'appareil
Le moteur tourne, mais il n'y a pas d'aspiration	Tuyau non raccordé	Raccordez le tuyau
	Tuyau obstrué	Nettoyez le tuyau
	Pas de sac de collecte de poussière	Installez un système de collecte

Problème	Cause	Solution
Le moteur tourne, mais l'aspiration est faible	Tuyau percé	Remplacez le tuyau
	Filtre bouché	Nettoyez/remplacez le filtre
	Capot supérieur desserré	Réglez
	Impuretés dans le volet	Nettoyez le volet
	Joints défectueux	Remplacez les joints concernés
De la poussière s'échappe du moteur	Système de filtre endommagé ou mal assemblé	Réglez/remplacez les filtres
Bruit anormal		Faites examiner l'appareil

Transport, entreposage et mise au rebut

Transport du produit

- Assurez-vous que le sac Longopac est vide avant de transporter le produit.
 - Assurez-vous que le sac Longopac est fixé au produit pendant le transport.
 - Utilisez des rampes ou des treuils pour soulever l'extracteur de poussière et vous assurer que les mouvements sont sûrs. Demandez de l'aide si vous avez des doutes concernant le levage des équipements lourds.
 - Sécurisez le produit lors du transport afin d'éviter tout dommage ou accident. Utilisez les ergots d'arrimage sur les deux côtés du produit.
 - Verrouillez les roulettes pour plus de sécurité.
 - Dans la mesure du possible, transportez le produit lorsque les conditions météorologiques sont favorables.
 - Si possible, utilisez un véhicule fermé pendant le transport du produit.
- Lorsque vous n'utilisez plus le produit, renvoyez-le au concessionnaire Husqvarna ou mettez-le au rebut dans une déchetterie.

Remisage du produit

- Le produit doit être stocké à l'intérieur, à l'abri des éléments extérieurs.
- Protégez le produit de la pluie et de l'humidité.
- Fixez les roulettes pour plus de sécurité.
- Débranchez le produit de la source d'alimentation.
- Conservez le produit et l'équipement dans un endroit sec, à l'abri du gel et des chaleurs excessives.
- Entreposez l'équipement dans un endroit qui peut être fermé à clé, de façon à ce qu'il soit inaccessible aux enfants et aux personnes non autorisées.

Mise au rebut du produit

- Respectez les consignes locales de recyclage et la réglementation en vigueur.

Caractéristiques techniques

Caractéristiques techniques

Caractéristiques		T 4000	T 7500	T 10000
Niveau de rendement énergétique		IE1	IE3	IE3
Tension (triphase), V		380-415	380-415	380-415
Fréquence, HZ		50	50	50
Puissance (max), kW (ch)		4 (5,4)	5,5 (7,4)	11 (14,7)
Ampérage de la fiche, A		16	16	32
Nombre de pôles, p		2	2	2
Régime nominal, tr/min		2 900	2 890	2890
Altitude maximale au-dessus du niveau de la mer, m		1 000	1000	1000
Température de l'air ambiant, °C		-20 - +40	-20 - +40	-20 - +40
Température de fonctionnement max., °C		160	155	155
Rendement nominal (%) à la charge nominale (%)	75	*	89,6	89,6
	50	*	88,9	88,9
Les pertes de puissance exprimées en pourcentage (%) de la puissance de sortie nominale aux différents points de fonctionnement suivants pour la vitesse (%) par rapport au couple (%)	90/100	*	9,6	9,6
	90/50	*	4,7	4,7
	50/100	*	7,9	7,9
	50/50	*	3	3
	50/25	*	1,8	1,8
	25/100	*	N/A	N/A
	25/25	*	1,1	1,1
Débit d'air (max.), m ³ /h (pi ³ /min)		400 (236)	600 (353)	900 (530)
Vide (max.), kPa (psi)		26 (110)	28 (110)	30 (120)
Tuyau principal, m (pi)		10 (32)	10 (32)	10 (32)
Diamètre de l'admission, mm (po) Camlock		63 (3)	76 (3)	76 (3)
Préfiltre, %		>99,5 %@1 um	>99,5 %@1 um	>99,5 %@1 um
Surface du préfiltre, m ² (pi ²)		4,5 (48,4)	2,9 (31,2)	3,9 (41,9)
Hepa filter 99,99 % à 0,3 µm		2	2	3
Surface totale Hepa filter, m ² (pi ²)		2,4 (25,8)	5 (53,8)	7,5 (80,7)
Niveau sonore, dB(A)		74	74	74
Système de collecte de la poussière, type		Longopac	Longopac	Longopac

Caractéristiques	T 4000	T 7500	T 10000
Dimensions (L x l x H) mm (po)	885 x 600 x 1 515 (34,9 x 23,7 x 59,7)	1 245 x 686 x 1 753 (49,1 x 27,1 x 69,1)	1 400 x 736 x 1 727 (55,2 x 29,0 x 68,0)
Poids, kg (lbs)	106 (237)	206 (454)	336 (740)

*) Motif de l'exemption de réglementation UE/
2019/1781 : le moteur est entièrement intégré dans un
produit.

To order go to Discount-Equipment.com

Déclaration de conformité

Déclaration de conformité UE

Description	Aspirateur
Marque	HUSQVARNA
Type/Modèle	T 4000, T 7500, T 10000
Identification	Numéros de série à partir de 2021 et ultérieurs

est entièrement conforme aux réglementations et aux directives de l'UE suivantes :

Directive/Réglementation	Description
2006/42/EC	« relative aux machines »
2014/30/EU	« relative à la compatibilité électromagnétique »
2014/35/EU	« relative aux équipements électriques »
2011/65/EU	« relative à la limitation de l'utilisation de certaines substances dangereuses »

et que les normes et/ou les spécifications techniques suivantes sont appliquées :

EN ISO 12100:2010

EN 55014-1:2017

EN 55014-2:2015

EN 61000-3-2:2014

EN 61000-3-3:2013

EN 60335-2-69:2016

EN IEC 63000:2018

Partille, 2022-01-24

Inhoud

Inleiding.....	51	Probleemoplossing.....	62
Veiligheid.....	55	Vervoer, opslag en verwerking.....	63
Montage.....	57	Technische gegevens.....	64
Werking.....	57	Verklaring van overeenstemming.....	66
Onderhoud.....	58		

Inleiding

Verantwoordelijkheid van de eigenaar



WAARSCHUWING: Bij het bewerken van beton en steen met methoden als zagen, slijpen of boren, met name tijdens droge bewerkingen, komt stof vrij dat afkomstig is van het materiaal dat wordt bewerkt, dat vaak kiezelzuur bevat. Kiezelzuur is een elementair onderdeel van zand, kwarts, baksteenklei, graniet en talrijke andere mineralen en gesteenten. Blootstelling aan grote hoeveelheden van dergelijk stof kan leiden tot:

Luchtwegaandoening (invloed op uw ademhaling), waaronder chronische bronchitis, silicose en longfibrose door blootstelling aan kiezelzuur. Deze aandoeningen kunnen fatale gevolgen hebben;

Irritatie van de huid en huiduitslag.

Kanker volgens NTP* en IARC* */ National Toxicology Program, Internationaal Agentschap voor kankeronderzoek.

Neem voorzorgsmaatregelen:

Voorkom inademing en huidcontact met stof, nevel en dampen.

Draag geschikte adembescherming, zoals stofmaskers die zijn ontworpen om microscopische deeltjes uit te filteren en zorg dat alle omstanders dit ook doen. (Zie OSHA 29 CFR Part 1926.1153)

Gebruik een geschikte stofzuiger om stofemissies tot een minimum te beperken.

Het is de verantwoordelijkheid van de eigenaar/ gebruiker om ervoor te zorgen dat de gebruiker voldoende weet over een veilig gebruik van het product. Leidinggevend en gebruikers moeten de bedieningshandleiding hebben gelezen en begrepen. Ze moeten op de hoogte zijn van:

- De veiligheidsinstructies voor het product.
- De mogelijke toepassingen en de beperkingen van het product.
- De manier waarop het product moet worden gebruikt en onderhouden.

Het gebruik van dit product kan beperkt worden door nationale/lokale regelgeving. Onderzoek welke regelgeving van toepassing is op de plaats waar u werkt voordat u het product in gebruik neemt.

Productbeschrijving

Het product is een stofzuiger met een aanzuigslang. Lucht met stof wordt via de aanzuigslang in een inlaatklep gezogen. De lucht neemt in snelheid af door een cycloon die ervoor zorgt dat de stofdeeltjes van de lucht worden gescheiden. Kleine stofdeeltjes en lucht gaan door een 2-traps filtersysteem. Grote stofdeeltjes worden verzameld in de cycloon en vallen door de onderste flap in een kunststof zak.

Gebruik

Het product wordt gebruikt om bouwomgevingen te reinigen door droge en niet-brandbare stof op te vangen in binnenomgevingen.

Het product kan worden aangesloten op middelgrote en grote apparatuur voor oppervlaktevoorbereiding, zoals schuurmachines.

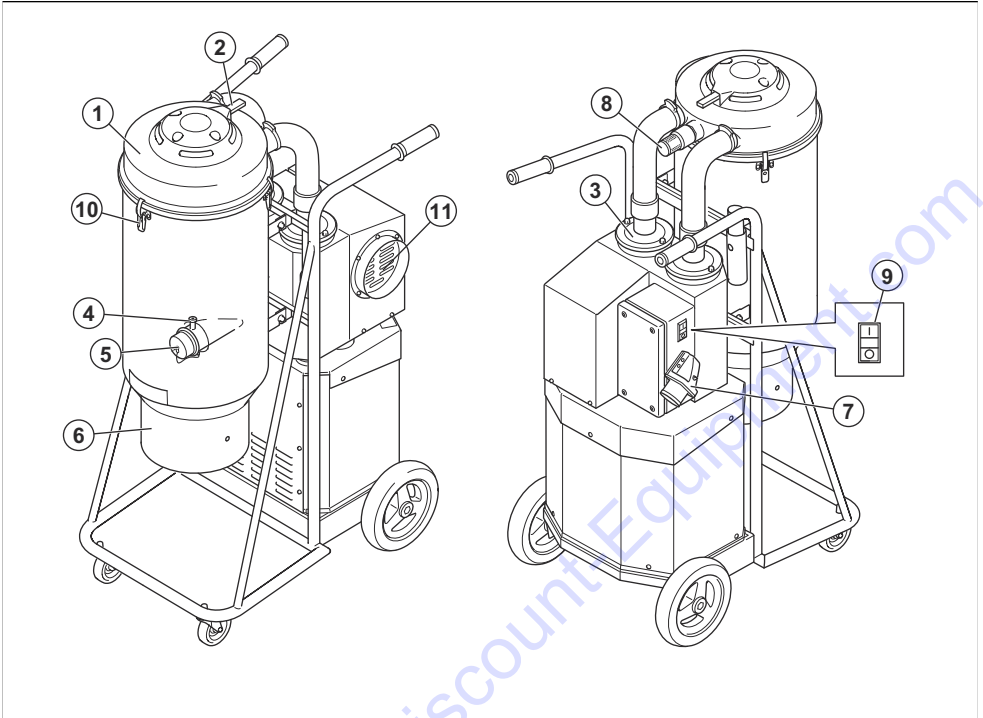
Het product is bestemd voor commercieel gebruik, bijvoorbeeld in hotels, scholen, ziekenhuizen, fabrieken, winkels, kantoren en verhuurbedrijven

Let op: De explosiegrenswaarde voor het niet-brandbare stof is $> 0,1 \text{ mg/m}^3$.

Stofopslagsysteem

Alle Husqvarna T-Line Dust Extractor moeten worden gebruikt met Longopac. Vervang Longopac alleen nadat de filterreinigingscyclus is voltooid.

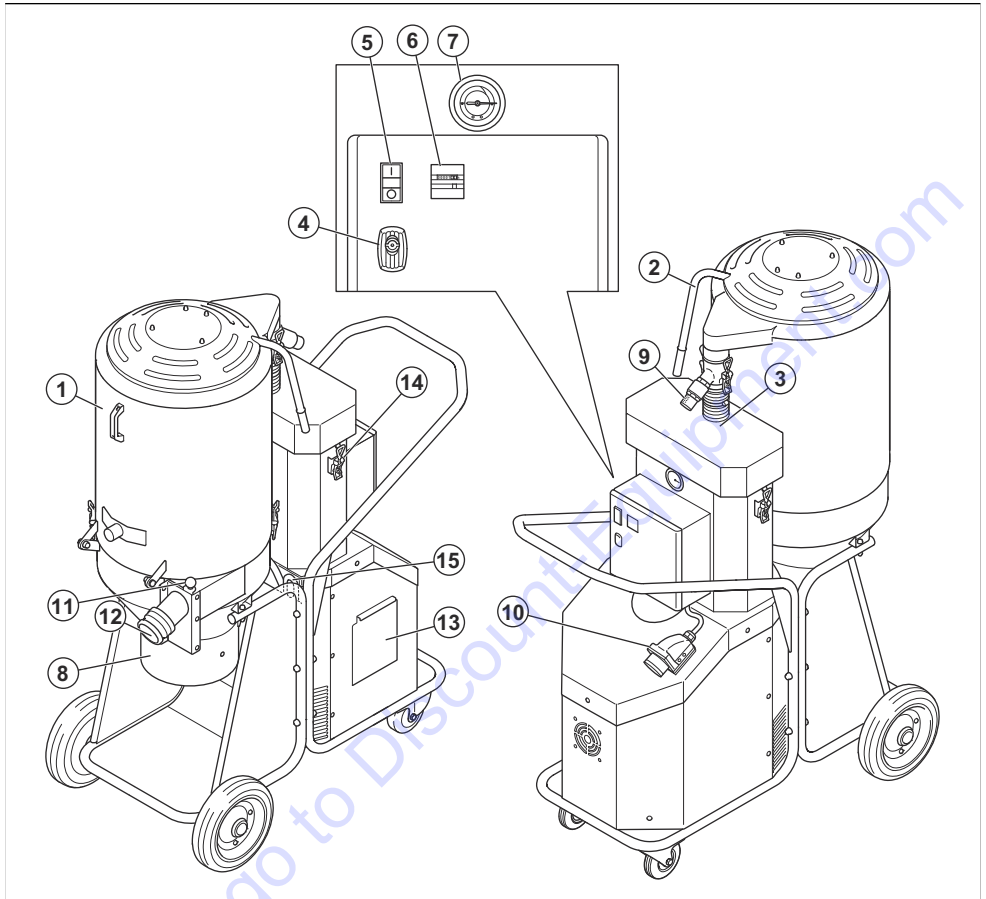
Productoverzicht T 4000



1. Voorfilter
2. Jet Pulse-hendel
3. Hepa filter
4. Slangvergrendeling
5. Inlaatplug
6. Longopac-aansluiting

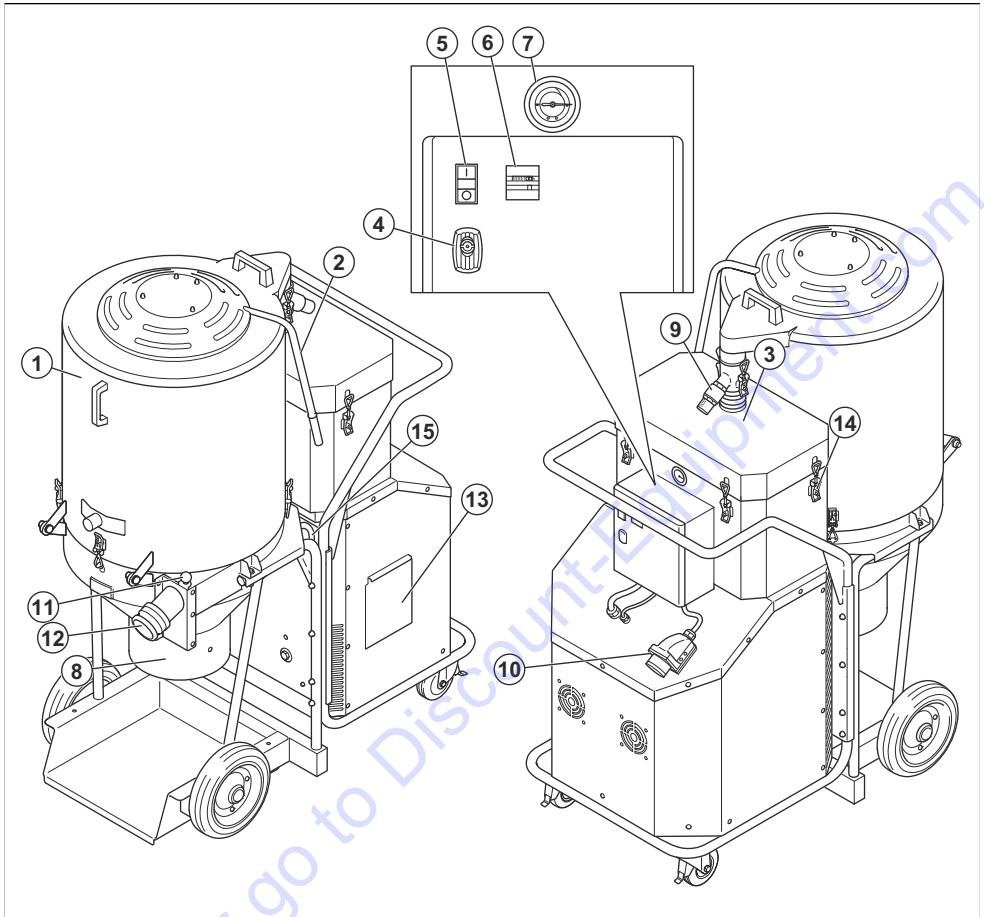
7. Aansluiting contactdoos met faseomvormer (EU, AU)
8. Drukaflaatklep
9. Aan/Uit
10. Klemsluiting
11. Afvoerpoort

Productoverzicht T 7500



- | | |
|-------------------------|--|
| 1. Voorfilter | 9. Drukafaatklep |
| 2. Jet Pulse-hendel | 10. Aansluiting contactdoos met faseomvormer |
| 3. Hepa filter | 11. Inlaatklep |
| 4. Slot van regelkastje | 12. Inlaat |
| 5. Aan/Uit | 13. Klep voor voorzieningen |
| 6. Urenteller | 14. Klemsluiting |
| 7. Manometer | 15. Vastzetbeugel 2X |
| 8. Longopac-aansluiting | |

Productoverzicht T 10000



1. Voorfilter
2. Jet Pulse-hendel
3. Hepa filter
4. Slot van regelkastje
5. Aan/Uit
6. Urenteller
7. Manometer
8. Longopac-aansluiting
9. Drukaflaatklep
10. Aansluiting contactdoos met faseomvormer
11. Inlaatklep
12. Inlaat
13. Klep voor voorzieningen
14. Klemsluiting
15. Vastzetbeugel 2X

Symbolen op het product



Lees de bedieningshandleiding zorgvuldig door en zorg dat u de instructies hebt begrepen voordat u het product gebruikt.



Gebruik altijd een goedgekeurd stofmasker.



Gebruik altijd goedgekeurde gehoorbescherming.



Gebruik altijd goedgekeurde oogbescherming.

Productaansprakelijkheid

Zoals uiteengezet in de wet voor productaansprakelijkheid zijn wij niet aansprakelijk voor schade die door ons product wordt veroorzaakt, indien:

- het product niet goed is gerepareerd.
- het product is gerepareerd met onderdelen die niet van de fabrikant afkomstig zijn, of onderdelen die niet zijn goedgekeurd door de fabrikant.
- het product een accessoire bevat dat niet afkomstig is van de fabrikant of niet is goedgekeurd door de fabrikant.
- het product niet is gerepareerd door een erkend servicepunt of door een erkende autoriteit.

Veiligheid

Veiligheidsdefinities

Waarschuwingen, voorzorgsmaatregelen en opmerkingen worden gebruikt om te wijzen op belangrijke delen van de handleiding.



WAARSCHUWING: Wordt gebruikt om te wijzen op de kans op ernstig of fataal letsel voor de gebruiker of omstanders wanneer de instructies in de handleiding niet worden gevolgd.



OPGELET: Wordt gebruikt indien er een risico bestaat op schade aan het product en andere eigenschappen of aan de omgeving wanneer de instructies in de handleiding niet worden gevolgd.

Let op: Geven verdere informatie die nodig is in een bepaalde situatie.

Algemene veiligheidsinstructies



WAARSCHUWING: Lees de waarschuwingen voordat u het product gaat gebruiken.

- Wees altijd voorzichtig en gebruik uw gezond verstand. Wanneer u in een situatie belandt waarin u niet goed weet hoe u verder te werk moet gaan, moet u een expert raadplegen. Wend u tot uw dealer, uw servicewerkplaats of een ervaren gebruiker. Vermijd gebruik waarvan u vindt dat u niet voldoende gekwalificeerd bent!
 - Lees de bedieningshandleiding aandachtig door en zorg ervoor dat u de instructies begrijpt alvorens dit product te gebruiken. Bewaar alle waarschuwingen en instructies voor later gebruik.
 - Zorg ervoor dat u de instructies in de hoofdproducthandleiding leest en begrijpt om te waarborgen dat u weet welke persoonlijke uitrusting u moet dragen, welke veiligheidsuitrusting u moet gebruiken en hoe u op een veilige manier kunt werken.
- Denk erom dat het uw verantwoordelijkheid als gebruiker is om mensen en hun eigendommen niet bloot te stellen aan ongelukken of gevaar.
 - Het product kan bij onjuist of onachtzaam gebruik een gevaarlijk gereedschap zijn dat ernstig of zelfs dodelijk letsel aan de gebruiker of anderen kan toebrengen.
 - Het product moet schoon worden gehouden. Aanduidingen en stickers moeten volledig leesbaar zijn.
 - Dit product mag niet worden gebruikt door personen (inclusief kinderen) met een lichamelijke, zintuiglijke of geestelijke beperking of gebrek aan ervaring en kennis.
 - Dit product produceert tijdens bedrijf een elektromagnetisch veld. Dit veld kan onder bepaalde omstandigheden de werking van actieve of passieve medische implantaten verstoren. Om het risico op ernstig of fataal letsel te verminderen, raden we personen met een medisch implantaat aan om contact op te nemen met hun arts en de fabrikant van het medische implantaat voordat ze dit product gebruiken.
 - Houd kinderen en onbevoegde personen uit de buurt van het product wanneer dit in gebruik is.
 - Gebruikers moeten voldoende worden geïnstrueerd in het gebruik van het product.
 - Gebruik dit product nooit wanneer u vermoeid bent, alcohol of drugs hebt gebruikt, of als u medicijnen gebruikt die uw gezichtsvermogen, beoordelingsvermogen of coördinatie kunnen beïnvloeden.
 - Pak de stekker of het product niet vast met natte handen.
 - Gebruik nooit een machine die defect is. Voer de in deze handleiding beschreven veiligheidscontroles en de onderhouds- en service-instructies uit. Bepaalde onderhouds- en servicemaatregelen moeten door opgeleide en gekwalificeerde specialisten worden uitgevoerd. Raadpleeg de instructies in *Onderhoud op pagina 58*.

Elektrische veiligheidsinstructies



WAARSCHUWING: Lees de volgende waarschuwingen voordat u het product gaat gebruiken.

- De stofzuiger is voorzien van een thermische beveiliging om te voorkomen dat de motor oververhit raakt. Als de thermische beveiliging wordt geactiveerd, schakelt u de machine uit, haalt u de stekker uit het stopcontact en controleert u of de stofzak vol is en of de afzuigslang of het filter verstopt is. Het resetten van de thermische beveiliging kan tot 45 minuten duren.
- Zorg er alvorens de stofzuiger te gebruiken voor dat het vermogen en de spanning overeenkomen met de spanning die wordt vermeld op het productplaatje van de machine, inclusief verlengsnoeren.
- Uitsluitend op een goed geaard stopcontact aansluiten. Zie *Aardingsinstructies op pagina 58*.
- De onjuiste aansluiting van de aardedraad van de uitrusting kan leiden tot een risico van een elektrische schok. Raadpleeg een gekwalificeerde elektricien of onderhoudsmonteur als u eraan twijfelt of het stopcontact goed geaard is. Pas nooit de meegeleverde stekker aan. Als de stekker niet in het stopcontact past, moet u een goed stopcontact door een erkende elektromonteur laten installeren.
- Zorg er bij het gebruik van een verlengsnoer voor dat het snoer geschikt is voor deze machine.
- Kabels die door beknelling of scheuren beschadigd zijn, kunnen gevaarlijk zijn indien ze worden gebruikt en moeten onmiddellijk worden vervangen.
- Niet gebruiken indien het snoer of de stekker beschadigd zijn. Indien de machine niet naar behoren werkt, gevallen is, beschadigd is, buiten is achtergelaten of in het water is gevallen, Zorg ervoor dat hij door een gekwalificeerde persoon wordt gerepareerd om gevaar te voorkomen.
- Inspecteer de stekker en het netsnoer regelmatig op beschadiging. Niet gebruiken indien het snoer of de stekker beschadigd zijn.
- Trek niet aan het snoer en gebruik het ook niet als handvat. Sluit geen deuren met het snoer ertussen en trek het niet langs scherpe randen of hoeken. Zorg ervoor dat de apparatuur niet over het snoer loopt. Houd het snoer uit de buurt van hete oppervlakken.
- Haal de stekker niet uit het stopcontact door aan het snoer te trekken. Houd de stekker vast als u deze uit het stopcontact trekt.
- Laat de machine niet onbeheerd achter wanneer deze op de netvoeding is aangesloten. Koppel het netsnoer los van het stopcontact als de machine niet in gebruik is en voorafgaand aan reiniging of onderhoud aan de machine.

Veiligheidsinstructies voor montage



WAARSCHUWING: Lees de volgende waarschuwingen voordat u het product monteert.

- Schakel alle bedieningselementen uit vóór het loskoppelen. Haal de stekker niet uit het stopcontact door aan het snoer te trekken. Houd de stekker vast als u deze uit het stopcontact trekt.
- Ongeautoriseerde wijzigingen en/of accessoires kunnen ernstig of dodelijk letsel aan de gebruiker of anderen toebrengen.
- Men moet altijd originele onderdelen gebruiken.
- Gebruik uitsluitend opzetstukken zoals beschreven in deze handleiding. Gebruik alleen door de fabrikant aanbevolen opzetstukken.
- Zorg voor een stevig montageoppervlak, zodat het product niet kan omvallen. Risico van lichamelijk letsel en materiële schade.
- Pas op, want de klemsluitingen kunnen de gebruiker verwonden tijdens het monteren van het product.

Veiligheidsinstructies voor bediening



WAARSCHUWING: Lees de volgende waarschuwingen voordat u het product gaat gebruiken.

- Het product mag niet worden gebruikt in omgevingen waar explosieve gassen aanwezig kunnen zijn. Dit vormt een ernstig risico op explosie.
- Zuig geen brandende of rokende voorwerpen op zoals sigaretten, lucifers of hete as.
- De hoge vacuümzuiging bij de inlaat kan lichamelijk letsel veroorzaken.
- Wees zeer voorzichtig wanneer u het product in donkere ruimten verplaatst. Het product is zwaar en er bestaat gevaar voor letsel als het product te valt of te snel beweegt.
- Wees zeer voorzichtig wanneer u het product op een oppervlak met een helling verplaatst. Het product is zwaar en er bestaat gevaar voor letsel als het product te valt of te snel beweegt.
- De machine kan plotseling bewegen als deze niet op een horizontaal oppervlak is geparkeerd. Het zwaartepunt verandert wanneer de machine gevuld is met stof, wat de werking van de parkeerrem kan beïnvloeden. Parkeer alleen op horizontale oppervlakken.
- Plaats uw hand niet bovenop de primaire tank tijdens filterreiniging, er bestaat risico op beknelling.
- Niet gebruiken om brandbare of ontvlambare vloeistoffen op te zuigen, zoals benzine, en ook niet gebruiken in gebieden waar deze aanwezig kunnen zijn.
- Voorkom dat stof, haren en alle andere zaken die de luchtstroom kunnen belemmeren zich ophopen.

- Houd haar, wijde kleding, vingers en overige lichaamsdelen uit de buurt van openingen en bewegende delen.
- Gebruik het product niet zonder geplaatste stofzak en/of filters. Vervang het opvangsysteem en/of filters zoals beschreven in deze handleiding.



OPGELET: Deze machine is ontworpen voor het oppakken van droge, niet-brandbare stof en vuil in een binnenomgeving. De machine is niet geschikt voor het opzuigen van vloeistoffen.



OPGELET: Dit product is alleen bedoeld voor gebruik binnenshuis.



OPGELET: Dit product mag alleen binnenshuis worden opgeslagen.

Persoonlijke beschermingsuitrusting



WAARSCHUWING: Lees de volgende waarschuwingen voordat u het product gaat gebruiken.

- Gebruik altijd goedgekeurde persoonlijke beschermingsmiddelen wanneer u het product gebruikt. Persoonlijke beschermingsmiddelen bieden geen volledige bescherming, maar kunnen bij een ongeval wel de ernst van het letsel beperken. Neem contact op met uw servicedealer voor de aanbevolen veiligheidsuitrusting.
- Risico van het vrijkomen van stof – Gebruik persoonlijke beschermingsmiddelen. Er kan ongezond stof vrijkomen tijdens het vervangen van het filter. Daarom moet de gebruiker een

veiligheidsbril, veiligheidshandschoenen en een stofmasker dat voldoet aan beschermingsklasse FFP3 dragen.

- Langdurige blootstelling aan lawaai kan leiden tot permanente gehoorbeschadiging. Gebruik altijd goedgekeurde gehoorbescherming. Let op waarschuwingssignalen of geroep wanneer u gehoorbescherming draagt. Doe uw gehoorbescherming altijd af nadat de motor is gestopt.
- Draag goedgekeurde veiligheidshandschoenen wanneer u onderhoud aan het product uitvoert.
- Gebruik nauwsluitende, sterke en comfortabele kleding die u volledige bewegingsvrijheid geeft. Draag geen korte broek.

Veiligheidsinstructies voor onderhoud



WAARSCHUWING: Lees de volgende waarschuwingen voordat u het product gaat gebruiken.

- Zorg ervoor dat de motorschakelaar in de uitgeschakelde stand staat. Haal de stekker van het product uit het stopcontact.
- Wijzig het oorspronkelijke ontwerp van het product niet.
- Alle reparaties moeten worden uitgevoerd door een gekwalificeerde onderhoudsmonteur. Gebruik alleen door de fabrikant geleverde of gelijkwaardige vervangende onderdelen.
- Zorg ervoor dat u de correcte zekering gebruikt als u onderhoud aan het product uitvoert.
- Maak altijd gebruik van goedgekeurde persoonlijke beschermingsmiddelen. Zie *Persoonlijke beschermingsuitrusting op pagina 57*
- Maak geen gat in de Hepa filter. Een defect Hepa filter kan stof verspreiden.

Montage

Inleiding

voor dit product. Sluit alleen aan op een stopcontact dat correct geaard is.



OPGELET: Gebruik alleen een verlengkabel met de juiste nominale waarde



OPGELET: Maak het voorfilter altijd schoon voordat u de zak van het opvangsysteem verwisselt.

Werking

Vóór gebruik

vermeld op het productplaatje van de machine, inclusief verlengsnoeren.



WAARSCHUWING: Zorg er alvorens de stofzuiger te gebruiken voor dat het vermogen en de spanning overeenkomen met de spanning die wordt

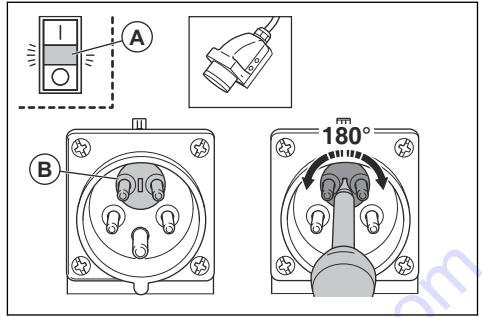


WAARSCHUWING: Uitsluitend op een goed geaard stopcontact aansluiten. Zie *Aardingsinstructies op pagina 58*

Aardingsinstructies



WAARSCHUWING: De stofzuiger moet geaard zijn. Als de stofzuiging een storing of defect zou vertonen, biedt aarding een weg van de minste weerstand voor elektrische stroom om het risico van elektrische schokken te beperken. De stofzuiger is voorzien van een snoer met een aardedraad voor de uitrusting en een aardingsstekker. De stekker moet worden aangesloten op een geschikt stopcontact dat correct is geïnstalleerd en geaard in overeenstemming met alle plaatselijk geldende voorschriften en regels.



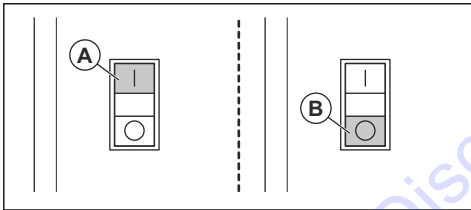
De filtertoestanden bewaken

Het product heeft een manometer om de filtertoestanden te bewaken. De manometer toont de totale belasting van het product in 3 niveaus, (A) maximaal vacuümniveau (0m/s), (B) filterreinigingsniveau en (C) onbelast niveau.

Starten en stoppen

Druk op de groene knop (A) om de stofzuiger te starten.

Druk op de rode knop (B) om de stofzuiger te stoppen.



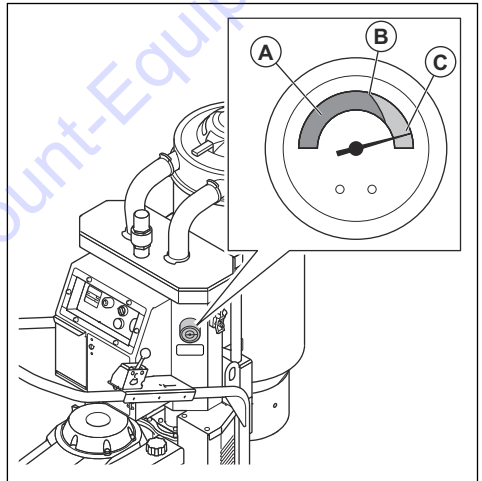
Faseomvormer

Let op: Niet van toepassing op varianten verkocht in Australië of Nieuw-Zeeland.



WAARSCHUWING: Elektriciteitswerkzaamheden moeten worden uitgevoerd door een erkende elektricien.

Als het rode lampje (A) tussen de rode en de groene knop gaat branden, is er een fasefout. Zet 2 van de fasen om, om te resetten (B). Dit is een veiligheidsmaatregel om ervoor te zorgen dat de pomp niet begint te blazen.



1. Reinig het voorfilter als de manometer zich boven het filterreinigingsniveau (B) bevindt. Zie *Het voorfilter reinigen op pagina 60*.
2. Vervang het Hepa filter-filter als de afzuiging nog steeds onvoldoende is. Zie *Het Hepa filter wijzigen op pagina 60*.

Onderhoud

Inleiding



WAARSCHUWING: Gebruik tijdens onderhoud persoonlijke beschermingsmiddelen, zie *Persoonlijke*

beschermingsuitrusting op pagina 57. Er kan stof vrijkomen tijdens onderhoud en service.



WAARSCHUWING: De meeste ongelukken met machines gebeuren tijdens het opsporen van fouten en tijdens service- en onderhoudswerkzaamheden, omdat het personeel zich dan binnen de risicozone van de machine moet begeven. Voorkom ongelukken door alert te zijn en de werkzaamheden te plannen en voor te bereiden.

worden beschreven, moet de motor zijn uitgeschakeld, tenzij anders aangegeven.



WAARSCHUWING: Alle controles van elektrische componenten moeten door een gekwalificeerd elektricien uitgevoerd worden.



WAARSCHUWING: Tijdens de werkzaamheden die in dit hoofdstuk

Onderhoudsschema T-Line Dust Extractor

De onderhoudsintervallen worden berekend op basis van het dagelijks gebruik van het product. De intervallen veranderen als het product niet dagelijks wordt gebruikt.

Onderhoud	Voor elk gebruik	Elke dag	Wekelijks	Wanneer de zuigkracht laag is	6 maanden of 1000 u	12 maanden of 2000 u
Controleer op tekenen van slijtage, beschadiging of losse aansluitingen van de bedieningselementen voordat de eenheid wordt aangesloten.	X					
Controleer of de Longopac juist is.		X				
Controleer het filterreinigingsmechanisme.		X				
Controleer de stofslang en de aansluitingen.		X				
Controleer de wielen. Controleer op beschadigingen en slechte aansluitingen.			X			
Reinig het voorfilter.				X		
Vervang het voorfilter.				X	X	
Vervang de Hepa filter				X		X

De stofzuiger reinigen

Het is belangrijk om de stofzuiger te reinigen om circulatie van gevaarlijk stof te voorkomen. Reinig altijd de stofzuiger voordat deze uit het werkgebied wordt geplaatst.



WAARSCHUWING: Zet de motorschakelaar in de uitgeschakelde stand en koppel het snoer los van het stopcontact voordat u het product schoonmaakt of onderhoudt.

- Alle onderdelen die verontreinigd zijn na werkzaamheden, moeten volgens de juiste procedure in plastic zakken worden afgevoerd. Neem de lokale voorschriften in acht.
- Gebruik de juiste persoonlijke beschermingsmiddelen wanneer u het product reinigt. Zie *Persoonlijke beschermingsuitrusting op pagina 57*.
- Reinig het externe oppervlak met een vochtige doek.
- Reinig de filters en de stofzuiger in het daarvoor bestemde gebied.
- Zuig het voorfilter van binnen leeg. Gebruik altijd stofzuigers met Hepa filter en een zachte borstel om het filter niet te beschadigen.
- Gebruik geen water op elektrische onderdelen.

- Reinig de stofzuiger niet met hoge druk (lucht of water).
- Plaats geen gereedschap op het oppervlak van het filter, want dit kan het filter beschadigen.
- Maak geen gat in het Hepa filter, het kan een gezondheidsrisico veroorzaken.

Filter vervangen



WAARSCHUWING: Gebruik tijdens het vervangen van het filter persoonlijke beschermingsmiddelen, zie *Persoonlijke beschermingsuitrusting op pagina 57*. Tijdens het vervangen van het filter kan er stof vrijkomen.



WAARSCHUWING: Zet de motorschakelaar altijd in de uitgeschakelde stand en koppel het snoer los van het stopcontact tijdens het vervangen van het filter.



WAARSCHUWING: Pas op, want de klemsluitingen kunnen de gebruiker verwonden tijdens het monteren van het product.

Het voorfilter reinigen

Het filter moet van tijd tot tijd worden gereinigd. Dit moet worden gedaan vóór het vervangen van het plastic opvangzakstelsysteem en moet ook worden gedaan wanneer het werk voltooid is of als er weinig zuigkracht is.



OPGELET: Let op dat het oppervlak niet wordt geraakt en dat er geen voorwerpen door het oppervlak komen, omdat het filter hierdoor beschadigd raakt.



OPGELET: Gebruik geen water om de filters te reinigen.

1. Sluit de inlaat af met behulp van de inlaatplug of de inlaatklep terwijl de stofzuiger draait.
2. Laat de stofzuiger gedurende 5 seconden vacuüm opbouwen en druk dan snel de Jet Pulse-hendel in en houd deze 5 seconden ingedrukt.
3. Herhaal stap 2 vijf keer. Het is belangrijk om de stofzuiger het vacuüm opnieuw te laten opbouwen tussen elke herhaling in.
4. Als de afzuiger nog steeds slecht afzuigt, moet het filter worden vervangen. Vervang de plastic zak pas na het reinigen van het filter.

Het voorfilter

Gebruik alleen Husqvarna-filters. Prestaties en filtratie-efficiëntie kunnen alleen worden gegarandeerd met originele filters.



WAARSCHUWING: Vervang niet slechts één buis. Als er een defect is, moet het complete filter worden vervangen.

Het voorfilter vervangen

1. Maak de 2 klemsluitingen tussen de tank en de onderste cycloon los.
2. Maak de 2 klemsluitingen bij de slangaansluiting tussen de tank en het deksel van het Hepa filter los.
3. Draai de tank naar voren.
4. Draai de filterplaat 10 graden linksom en draai voorzichtig filter en houder ondersteboven.
5. Plaats een plastic zak over de filtereenheid.
6. Til het filter voorzichtig uit de zak en sluit de zak. De zak moet worden weggegooid. Raadpleeg de lokale afvoervoorschriften.
7. Plaats een nieuw compleet filterpakket in omgekeerde volgorde.

Het voorfilter vervangen, T 4000



OPGELET: Wanneer u het voorfilter verwijdert om het te reinigen, gebruik dan alleen water onder lage druk vanaf de binnenkant naar de buitenkant. Door met kracht op het filter te slaan, of water onder hoge druk of perslucht te gebruiken, beschadigt u het filter. Het filter moet 100% droog zijn voordat het in de behuizing wordt teruggeplaatst.

1. Maak de 3 klemsluitingen los en verwijder de bovenkant.
2. Haal de zak uit het nieuwe filter.
3. Verwijder het filter en plaats het voorzichtig in een plastic zak.

Let op: Deze zak moet op de juiste wijze als afval worden verwijderd.

4. Verwijder het filter en plaats het voorzichtig in een plastic zak.

Het Hepa filter wijzigen



OPGELET: Reinig een Hepa filter niet. Als u probeert een Hepa filter te reinigen, raakt het beschadigt. Zorg er bij het plaatsen van het vervangende filter voor dat u de binnenkant van het filter niet aanraakt. Elke vorm van kracht op/schade aan de

binnenkant van het filter zal het nieuwe filter beschadigen.



OPGELET: Raak het binnenoppervlak van het filter niet aan wanneer u een nieuw Hepa filter installeert. Door beschadiging van het binnenoppervlak van het filter kan het filter onbruikbaar worden.

1. Maak de klemsluitingen los waarmee het filterdeksel vastzit en verwijder het.
2. Plaats het filter voorzichtig in een schone plastic zak.

Let op: Deze zak moet op de juiste wijze als afval worden verwijderd.

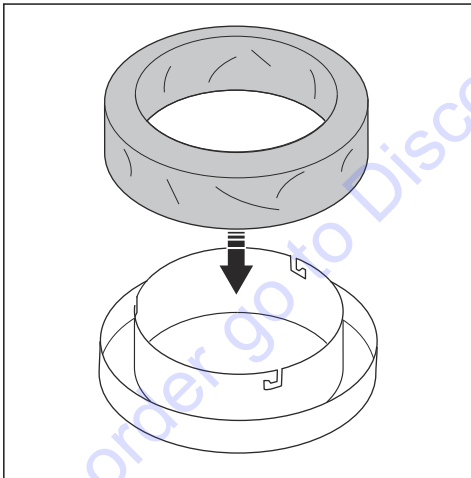
3. Plaats een nieuw filter in omgekeerde volgorde.

Een nieuwe Longopac-stofzak monteren

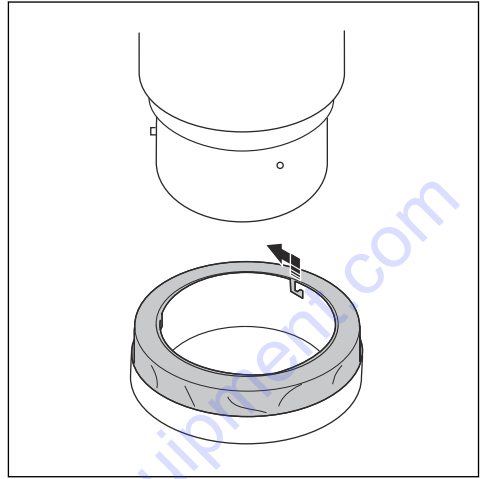


WAARSCHUWING: Reinig altijd het voorfilter voordat u de Longopac-stofzak vervangt.

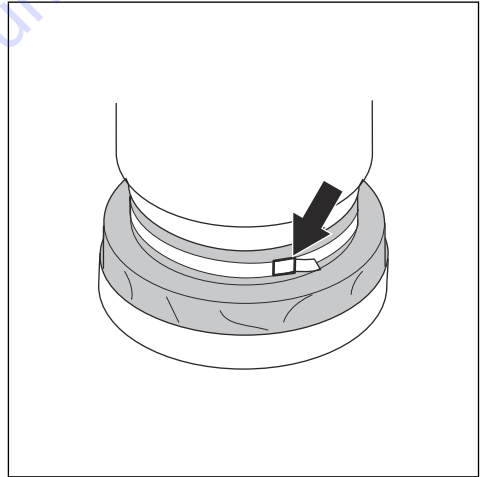
1. Plaats de Longopac-stofzak in de houder.



2. Om de Longopac-stofzakhouder te bevestigen, moet de Longopac-stofzakhouder worden gedraaid tot de pennen in de sleuven zitten.

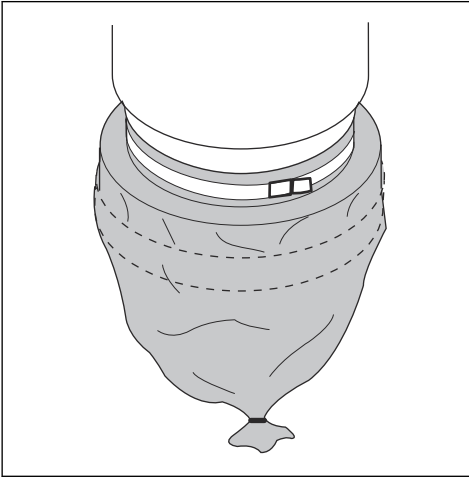


3. Trek de Longopac-zak omhoog uit de zakhouder en plaats deze rond het reservoir.
4. Plaats een band om de Longopac-stofzak en het reservoir om de zak correct aan het reservoir te bevestigen.



5. Trek de Longopac-stofzak omlaag op de buitenste rand van de zakhouder.

6. Sluit de onderkant van de Longopac-stofzak met een kabelbinder.



Probleemoplossing

Probleemoplossingsschema

Probleem	Oorzaak	Oplossing
Motor start niet	Geen stroom	Stekker van de machine in het stopcontact steken
	Kabel defect	Kabel vervangen
	Schakelaar defect	Schakelaar vervangen
	Contactcombinatie defect	Contactcombinatie vervangen
	Fasefout (rode lampje brandt)	2 fasen omzetten
Motor stopt direct na het starten	Verkeerde zekering	Aansluiten op juiste zekering
	Kortsluiting in kabel/machine	Laten repareren door een servicemedewerker
Motor loopt, maar er is geen afzuiging	Slang niet aangesloten	Slang aansluiten
	Slang geblokkeerd	Slang reinigen
	Geen stofopvangzak	Stofopvangsysteem monteren
Motor loopt, maar afzuiging is slecht	Gat in slang	Slang vervangen
	Filter verstopt	Filter reinigen/vervangen
	Losse bovenste kap	Afstellen
	Vuil in de klep	De klep reinigen
	Defecte pakkingen	Betreffende pakkingen vervangen

Probleem	Oorzaak	Oplossing
Stof wordt uit de motor geblazen	Verkeerd gemonteerd of beschadigd filtersysteem	Filters aanpassen/vervangen
Abnormaal geluid		Laten repareren door een servicemedewerker

Vervoer, opslag en verwerking

Transport van het product

- Zorg ervoor dat de Longopac-zak leeg is vóór transport.
- Zorg ervoor dat de Longopac-zak aan het product is bevestigd tijdens transport.
- Maak bij het heffen van de stofzuiger gebruik van oprijplaten of lieren om ervoor te zorgen dat de bewegingen veilig zijn. Roep hulp in als u niet zeker weet hoe zware apparatuur moet worden geheven.
- Zet het product tijdens transport goed vast om transportschade en ongelukken te voorkomen. Gebruik de vastzetbeugels aan beide zijden van het product.
- Zet de remwielen goed vast.
- Vervoer het product indien mogelijk onder goede weersomstandigheden.
- Gebruik indien mogelijk een gesloten voertuig om het product te vervoeren.

Het product opslaan

- Het product moet binnen worden opgeslagen uit de buurt van buitenelementen.
- Stel het product niet bloot aan regen of vocht.
- Zet de remwielen goed vast.
- Haal de stekker van het product uit het stopcontact.
- Berg het product en de uitrusting op in een vorstvrije ruimte zonder buitensporige hitte.
- Sla alle apparatuur op in een afgesloten ruimte zodat de apparatuur buiten het bereik is van kinderen en onbevoegde personen.

Het product afvoeren

- Neem de plaatselijk geldende wet- en regelgeving voor recycling in acht.
- Wanneer het product niet langer wordt gebruikt, stuur het dan naar een Husqvarna-dealer of voer het af via een recyclingslocatie.

Technische gegevens

Technische gegevens

Gegevens	T 4000	T 7500	T 10000
Energiezuinigheidsniveau	IE1	IE3	IE3
Spanning (3-fasig), V	380-415	380-415	380-415
Frequentie, Hz	50	50	50
Vermogen (max.), kW (HP)	4 (5,4)	5,5 (7,4)	11 (14,7)
Stroomsterkte bougie, A	16	16	32
Aantal polen, p	2	2	2
Nominale tpm, min-1	2900	2890	2890
Max. hoogte boven zeeniveau, m	1000	1000	1000
Omgevingsluchttemperatuur, °C	-20 - +40	-20 - +40	-20 - +40
Max. bedrijfstemperatuur, °C	160	155	155
Nominale efficiëntie (%) op nominale belasting (%)	75	*	89,6
	50	*	88,9
De vermogensverliezen in procenten (%) van het nominale uitgangsvermogen op de volgende verschillende bedrijfspunten voor toerental (%) versus koppel (%)	90/100	*	9,6
	90/50	*	4,7
	50/100	*	7,9
	50/50	*	3
	50/25	*	1,8
	25/100	*	N.v.t.
	25/25	*	1,1
Luchtstroom (max.), m ³ /h (cfm)	400 (236)	600 (353)	900 (530)
Vacuüm (max.), kPa (psi)	26 (110)	28 (110)	30 (120)
Hoofdslang, m (ft)	10 (32)	10 (32)	10 (32)
Diameter inlaat, mm (inch) Camlock	63 (3)	76 (3)	76 (3)
Voorfilter, %	>99,5%@1um	>99,5%@1um	>99,5%@1um
Voorfilterruimte, m ² (ft ²)	4,5 (48,4)	2,9 (31,2)	3,9 (41,9)
Hepa filter 99,99% bij 0,3 um	2	2	3
Totaal Hepa filter-gebied, m ² (ft ²)	2,4 (25,8)	5 (53,8)	7,5 (80,7)
Geluidsniveau, dB(A)	74	74	74
Stofopvangsysteem, type	Longopac	Longopac	Longopac
Afmetingen (L*B*H) mm (inch)	885x600x1515 (34,9x23,7x59,7)	1245x686x1753 (49,1x27,1x69,1)	1400x736x1727 (55,2x29,0x68,0)

Gegevens	T 4000	T 7500	T 10000
Gewicht, kg (lbs)	106 (237)	206 (454)	336 (740)

*) Reden voor uitzondering van verordening EU/2019/1781: Motor is volledig geïntegreerd in een product.

To order go to Discount-Equipment.com

Verklaring van overeenstemming

EU-verklaring van overeenstemming

Beschrijving	Stofafscheider
Merk	HUSQVARNA
Type / model	T 4000, T 7500, T 10000
Identificatie	Serienummers vanaf 2021 en verder

volledig voldoet aan de volgende EU-richtlijnen en -regelgeving:

Richtlijn/Verordening	Beschrijving
2006/42/EC	"betreffende machines"
2014/30/EU	"betreffende elektromagnetische compatibiliteit"
2014/35/EU	"betreffende elektrische apparatuur"
2011/65/EU	"betreffende beperking van gevaarlijke stoffen"

en dat de volgende normen en/of technische specificaties zijn toegepast:

EN ISO 12100:2010

EN 55014-1:2017

EN 55014-2:2015

EN 61000-3-2:2014

EN 61000-3-3:2013

EN 60335-2-69:2016

EN IEC 63000:2018

Partille, 2022-01-24

 **Husqvarna**[®]

To order go to Discount-Equipment.com

Original instructions
Originalanweisungen
Instructions d'origine
Originele instructies

1140472-20



2022-02-03

TO PURCHASE THIS PRODUCT PLEASE CONTACT US



**Equipment Financing and
Extended Warranties Available**



**Discount-Equipment.com is your online resource for
commercial and industrial quality parts and equipment sales.**

561-964-4949

visit us on line @ www.discount-equipment.com

Select an option below to find your Equipment

Search by Manufacturer

Search by Product Type

Request a Quote

We sell worldwide for the brands: Genie, Terex, JLG, MultiQuip, Mikasa, Essick, Whiteman, Mayco, Toro Stone, Diamond Products, Generac Magnum, Airman, Haulotte, Barreto, Power Blanket, Nifty Lift, Atlas Copco, Chicago Pneumatic, Allmand, Miller Curber, Skyjack, Lull, Skytrak, Tsurumi, Husquvarna Target, Stow, Wacker, Sakai, Mi-T-M, Sullair, Basic, Dynapac, MBW, Weber, Bartell, Bennar Newman, Haulotte, Ditch Runner, Menegotti, Morrison, Contec, Buddy, Crown, Edco, Wyco, Bomag, Laymor, EZ Trench, Bil-Jax, F.S. Curtis, Gehl Pavers, Heli, Honda, ICS/PowerGrit, IHI, Partner, Imer, Clipper, MMD, Koshin, Rice, CH&E, General Equipment, Amida, Coleman, NAC, Gradall, Square Shooter, Kent, Stanley, Tamco, Toku, Hatz, Kohler, Robin, Wisconsin, Northrock, Oztec, Toker TK, Rol-Air, APT, Wylie, Ingersoll Rand / Doosan, Innovatech, Con X, Ammann, Mecalac, Makinex, Smith Surface Prep, Small Line, Wanco, Yanmar