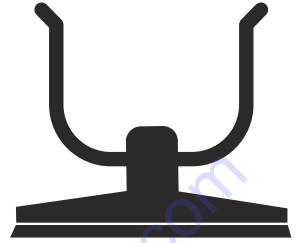




Husqvarna®



BV 30

EN Operator's manual

2-17

TO PURCHASE THIS PRODUCT PLEASE CONTACT US



**Equipment Financing and
Extended Warranties Available**



**Discount-Equipment.com is your online resource for
commercial and industrial quality parts and equipment sales.**

561-964-4949

visit us on line @ www.discount-equipment.com

Select an option below to find your Equipment

Search by Manufacturer

Search by Product Type

Request a Quote

We sell worldwide for the brands: Genie, Terex, JLG, MultiQuip, Mikasa, Essick, Whiteman, Mayco, Toro Stone, Diamond Products, Generac Magnum, Airman, Haulotte, Barreto, Power Blanket, Nifty Lift, Atlas Copco, Chicago Pneumatic, Allmand, Miller Curber, Skyjack, Lull, Skytrak, Tsurumi, Husquvarna Target, Stow, Wacker, Sakai, Mi-T-M, Sullair, Basic, Dynapac, MBW, Weber, Bartell, Bennar Newman, Haulotte, Ditch Runner, Menegotti, Morrison, Contec, Buddy, Crown, Edco, Wyco, Bomag, Laymor, EZ Trench, Bil-Jax, F.S. Curtis, Gehl Pavers, Heli, Honda, ICS/PowerGrit, IHI, Partner, Imer, Clipper, MMD, Koshin, Rice, CH&E, General Equipment, Amida, Coleman, NAC, Gradall, Square Shooter, Kent, Stanley, Tamco, Toku, Hatz, Kohler, Robin, Wisconsin, Northrock, Oztec, Toker TK, Rol-Air, APT, Wylie, Ingersoll Rand / Doosan, Innovatech, Con X, Ammann, Mecalac, Makinex, Smith Surface Prep, Small Line, Wanco, Yanmar

Contents

Introduction.....	2	Troubleshooting.....	11
Safety.....	4	Transportation, storage and disposal.....	12
Assembly.....	7	Technical data	13
Operation.....	9	Accessories.....	14
Maintenance.....	10	Declaration of Conformity.....	16

Introduction

Product description

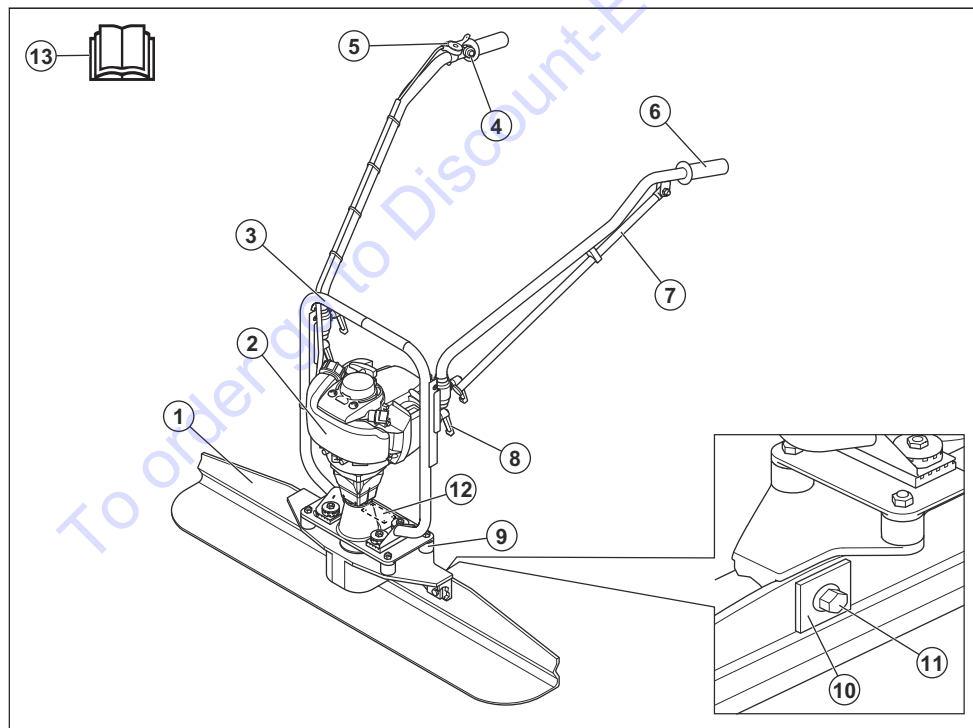
The product is a vibrating walk-behind concrete screed with a gasoline combustion engine.

For concrete layers thicker than 100 mm, vibration with an internal vibrator is necessary.

Intended use

The product is for professional operation only. The product is used for compaction of concrete, to make areas of concrete level and to make the surface smooth.

Product overview



- 1. Beam
- 2. Engine

- 3. Frame
- 4. Stop button for the engine

5. Throttle control
6. Handle
7. Support
8. Lock levers for the handle
9. Vibration damping unit
10. Square washer
11. M12 screw
12. Type plate
13. Operator's manual

Symbols on the product



WARNING: This product can be dangerous and cause serious injury or death to the operator or others. Be careful and use the product correctly.



Read the manual carefully and make sure that you understand the instructions before you use the product.



Use hearing protection.



Use protective gloves.



Fuel



Fuel: Unleaded gasoline with a maximum of 10% ethanol.



This product is in compliance with applicable EC directives.



The product agrees with the applicable EAC directives.



The product agrees with the applicable Australia and New Zealand electromagnetic compatibility Directives.

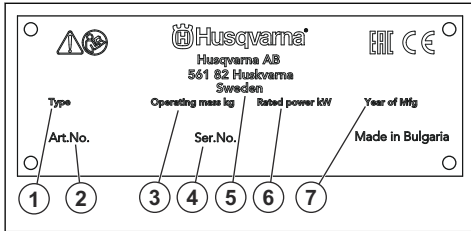
Note: Other symbols/decals on the product refer to special certification requirements for some markets.

UKCA label



The product agrees with the applicable UK directives.

Type plate



1. Product type
2. Product number
3. Product weight
4. Serial number
5. Manufacturer
6. Rated power
7. Production year

Product liability

As referred to in the product liability laws, we are not liable for damages that our product causes if:

- the product is incorrectly repaired.
- the product is repaired with parts that are not from the manufacturer or not approved by the manufacturer.
- the product has an accessory that is not from the manufacturer or not approved by the manufacturer.
- the product is not repaired at an approved service center or by an approved authority.

Safety

Safety definitions

Warnings, cautions and notes are used to point out specially important parts of the manual.



WARNING: Used if there is a risk of injury or death for the operator or bystanders if the instructions in the manual are not obeyed.



CAUTION: Used if there is a risk of damage to the product, other materials or the adjacent area if the instructions in the manual are not obeyed.

Note: Used to give more information that is necessary in a given situation.

General safety instructions



WARNING: Read the warning instructions that follow before you use the product.

- This product is a dangerous tool if you are not careful or if you use the product incorrectly. This product can cause serious injury or death to the operator or others. Before you use the product, you must read and understand the contents of this operator's manual.
 - Save all warnings and instructions.
 - Comply with all applicable laws and regulations.
- The operator and the employer of the operator must know and prevent the risks during operation of the product.
 - Do not let a person operate the product unless they read and understand the contents of the operator's manual.
 - Do not operate the product unless you receive training before use. Make sure that all operators receive training.
 - Do not let a child operate the product.
 - Only let approved persons operate the product.
 - The operator is responsible for accidents that occur to other persons or their property.
 - Do not use the product if you are tired, ill, or under the influence of alcohol, drugs or medicine.
 - Always be careful and use your common sense.
 - This product produces an electromagnetic field during operation. This field can under some circumstances interfere with active or passive medical implants. To decrease the risk of serious injury or death, we recommend persons with medical implants to speak to their physician and the medical implant manufacturer before operating this product.
 - Keep the product clean. Make sure that you can clearly read signs and decals.
 - Do not use the product if it is defective.
 - Do not do modifications to this product.
 - Do not operate the product if it is possible that other persons have done modifications to the product.

Safety instructions for operation



WARNING: Read the warning instructions that follow before you use the product.

- Make sure that you know how to stop the engine quickly in an emergency.
- The operator must have the physical strength that is necessary to operate the product safely.
- Do not operate the product without all protective covers installed.
- Use personal protective equipment. Refer to *Personal protective equipment on page 6*.
- Make sure that only approved persons are in the work area.
- Keep the work area clean and bright.
- Make sure that you are in a safe and stable position during operation.
- Make sure that there is no risk that you or the product can fall from a height.
- Make sure that there is no grease or oil on the handle.
- Do not use the product in areas where fire or explosions can occur.
- The product can cause objects to eject at high speed. Make sure that all persons in the work area use approved personal protective equipment. Remove loose objects from the work area.
- Before you go away from the product, stop the engine and make sure that there is no risk of accidental start.
- Make sure that clothes, long hair and jewelry do not get caught in moving parts.
- Do not sit on the product.
- Do not hit the product.
- Always operate the product from behind with your hands on the handle.
- Do not operate the product near electrical cables. The product does not have electrical insulation and injury or death can occur.
- Before you operate the product, find out if there are hidden wires, cables and pipes in the work area. If the product hits a hidden object, stop the engine immediately and examine the product and the object. Do not start to operate the product again until you know that it is safe to continue.

Vibration safety



WARNING: Read the warning instructions that follow before you use the product.

- During operation of the product, vibrations go from the product to the operator. Regular and frequent operation of the product can cause or increase the degree of injuries to the operator. Injuries can occur

in fingers, hands, wrists, arms, shoulders, and/or nerves and blood supply or other body parts. The injuries can be debilitating and/or permanent, and can increase gradually during weeks, months or years. Possible injuries include damage to the blood circulation system, the nervous system, joints, and other body structures.

- Symptoms can occur during operation of the product or at other times. If you have symptoms and continue to operate the product, the symptoms can increase or become permanent. If these or other symptoms occur, get medical aid:
 - Numbness, loss of feeling, tingling, pricking, pain, burning, throbbing, stiffness, clumsiness, loss of strength, changes in skin color or condition.
- Symptoms can increase in cold temperatures. Use warm clothing and keep your hands warm and dry when you operate the product in cold environments.
- Do maintenance on and operate the product as given in the operator's manual, to keep a correct vibration level.
- The product has a vibration damping system that decreases the vibrations from the handles to the operator. Let the product do the work. Do not push the product with force. Hold the product at the handles lightly, but make sure that you control the product and operate it safely. Do not push the handles into the end stops more than necessary.
- Keep your hands on the handle or handles only. Keep all other body parts away from the product.
- Stop the product immediately if strong vibrations suddenly occurs. Do not continue the operation before the cause of the increased vibrations is removed.

Dust safety



WARNING: Read the warning instructions that follow before you use the product.

- Operation of the product can cause dust in the air. Dust can cause serious injury and permanent health problems. Silica dust is regulated as harmful by several authorities. These are examples of such health problems:
 - The fatal lung diseases chronic bronchitis, silicosis and pulmonary fibrosis
 - Cancer
 - Birth defects
 - Skin inflammation
- Use correct equipment to decrease the quantity of dust and fumes in the air and to decrease dust on work equipment, surfaces, clothing and body parts. Examples of controls are dust collection systems and water sprays to bind dust. Decrease dust at the source where possible. Make sure that the

equipment is correctly installed and used and that regular maintenance is done.

- Use approved respiratory protection. Make sure that the respiratory protection is applicable for the dangerous materials in the work area.
- Make sure that the airflow is sufficient in the work area.
- If it is possible, point the exhaust of the product where it cannot cause dust to go into the air.

Exhaust fumes safety



WARNING: Read the warning instructions that follow before you use the product.

- The exhaust fumes from the engine contain carbon monoxide which is an odourless, poisonous and very dangerous gas. To breathe carbon monoxide can cause death. Because carbon monoxide is odourless and cannot be seen, it is not possible to sense it. A symptom of carbon monoxide poisoning is dizziness, but it is possible that a person becomes unconscious without warning if the quantity or concentration of carbon monoxide is sufficient.
- Exhaust fumes also contain unburned hydrocarbons including benzene. Long-term inhalation can cause health problems.
- Exhaust fumes that you can see or smell also contain carbon monoxide.
- Do not use a combustion engine product indoors or in areas that do not have sufficient airflow.
- Do not breathe the exhaust fumes.
- Make sure that the airflow in the work area is sufficient. This is very important when you operate the product in trenches or other small work areas where exhaust fumes can easily collect.

Noise safety



WARNING: Read the warning instructions that follow before you use the product.

- High noise levels and long-term exposure to noise can cause noise-induced hearing loss.
- To keep the noise level to a minimum, do maintenance on and operate the product as given in the operator's manual.
- Examine the muffler for damages and defects. Make sure that the muffler is correctly attached to the product.
- Use approved hearing protection while you operate the product.
- Listen for warning signals and voices when you use hearing protection. Remove the hearing protection when the product is stopped, unless hearing protection is necessary for the noise level in the work area.

Personal protective equipment



WARNING: Read the warning instructions that follow before you use the product.

- Always use approved personal protective equipment when you operate the product. Personal protective equipment cannot fully prevent injury but it decreases the degree of injury if an accident does occur. Let your dealer help you select the correct personal protective equipment.
- Regularly do a check of the condition of the personal protective equipment.
- Use an approved protective helmet.
- Use approved hearing protection.
- Use approved respiratory protection.
- Use approved eye protection with side protection.
- Use protective gloves.
- Use boots with steel toe-cap and non-slip sole.
- Use approved work clothing or equivalent close-fitting clothing that has long sleeves and long legs.

Safety devices on the product



WARNING: Read the warning instructions that follow before you use the product.

- Do not use a product with defective safety devices.
- Do a check of the safety devices regularly. If the safety devices are defective, speak to Discount-equipment.

Muffler

The muffler keeps the noise levels to a minimum and sends the exhaust fumes away from the operator.

Do not use the product if the muffler is missing or defective. A defective muffler increases the noise level and the risk of fire.



WARNING: The muffler becomes very hot during and after use and when the engine operates at idle speed. Be careful near flammable materials and/or fumes to prevent fire.

To do a check of the muffler

- Examine the muffler regularly to make sure that it is attached correctly and not damaged.

Vibration damping units

The vibration damping units decrease vibration in the product. The vibration damping units decrease harmful vibrations to prevent injury to the operator and damage to the product.

To do a check of the vibration damping system

1. Make sure that there are no cracks or deformation on the vibration damping units.
2. Make sure that the vibration damping units are correctly attached to the engine unit and handle unit.

Refer to *Product description on page 2* for information about where the vibration damping system is on your product.

Fuel safety



WARNING: Read the warning instructions that follow before you use the product.

- Fuel is flammable and the fumes are explosive. Be careful with fuel to prevent injury, fire and explosion.
- Do not breathe in the fuel fumes. The fuel fumes are poisonous and can cause injury. Make sure that the airflow is sufficient.
- Do not remove the fuel tank cap or fill the fuel tank when the engine is on.
- Let the engine become cool before you refuel.
- Do not fill fuel in an indoor area. Not sufficient airflow can cause injury or death because of asphyxiation or carbon monoxide.
- Do not smoke near the fuel or the engine.
- Do not put hot objects near the fuel or the engine.
- Do not fill fuel near sparks or flames.
- Before you refuel, open the fuel tank cap slowly and release the pressure carefully.
- Fuel on your skin can cause injury. If you get fuel on your skin, use soap and water to remove the fuel.
- If you spill fuel on your clothing, change clothing immediately.
- Do not fill the fuel tank fully. Heat causes the fuel to expand. Keep a space at the top of the fuel tank.
- Tighten the fuel tank cap fully. If the fuel tank cap is not tightened, there is a risk of fire.
- Before you start the product, move the product to a minimum of 3 m/10 ft from where you refueled.
- Do not start the product if there is fuel or engine oil on the product. Remove the unwanted fuel and engine oil and let the product dry before you start the engine.
- Examine the engine for leaks regularly. If there are leaks in the fuel system, do not start the engine until the leaks are repaired.

- Do not use your fingers to examine the engine for leaks.
- Keep fuel in approved containers only.
- When the product and fuel is in storage, make sure that fuel and fuel fumes cannot cause damage.
- Drain the fuel in an approved container outdoors and away from sparks and flames.

Safety instructions for maintenance



WARNING: Read the warning instructions that follow before you use the product.

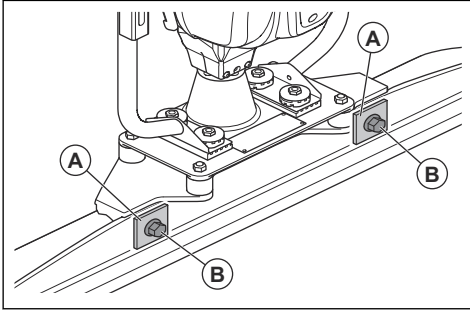
- If the maintenance is not done correctly and regularly, the risk of injury and damage to the product increases.
- Use personal protective equipment. Refer to *Personal protective equipment on page 6*.
- Stop the engine and make sure that all parts of the product are cool before you do the maintenance.
- Clean the product to remove dangerous material before you do the maintenance.
- Disconnect the spark plug cap before you do the maintenance.
- The exhaust fumes from the engine are hot and can contain sparks. Do not operate the product in indoor areas or near flammable material.
- Do not change the product. Modifications that are not approved by the manufacturer, can cause serious injury or death.
- Always use original accessories and spare parts. Accessories and spare parts that are not approved by the manufacturer, can cause serious injury or death.
- Replace damaged, worn or broken parts.
- Only do the maintenance as given in this operator's manual. Let an approved service center do all other servicing.
- Remove all tools from the product before you start the engine after maintenance. Loose tools or tools attached to rotating parts can eject and cause injury.
- After maintenance, do a check of the vibration level in the product. If it is not correct, speak to an approved service center.
- Let an approved service center do servicing on the product regularly.

Assembly

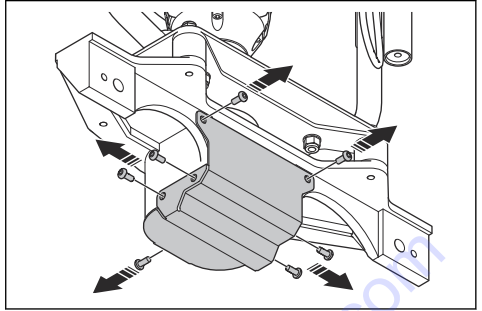
To assemble the product

1. Install a beam of the correct width for the operation.

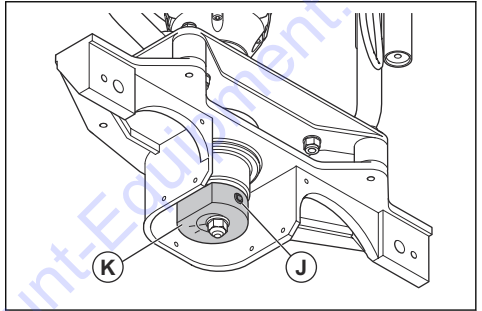
- a) Attach the square washers (A) with the M12 screws (B). Torque the M12 screws to 80 Nm with a 18 mm wrench. The square washers and the M12 screws are supplied with the product.



2. Remove the 7 screws and the cover for the eccentric element.

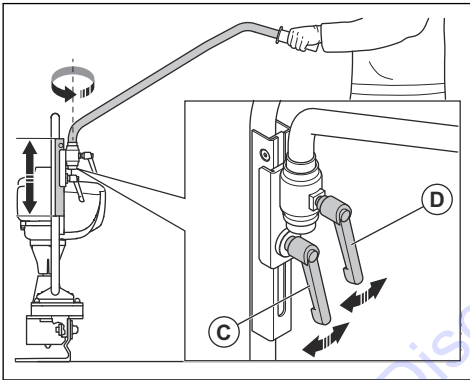


3. Loosen the lock bolt (J) with a hex key.



4. Turn the eccentric element (K) to adjust the weight. The table below shows how much the eccentric element must be turned with different beams and different concrete slump. There are 4 marks on the eccentric element, 62%, 75%, 87% and 100%.

2. Adjust the operation position of the handles.



- a) Adjust the handle height with the bottom lever (C).
 b) Adjust the horizontal position of the handles with the top lever (D).

To adjust the eccentric weight

Adjust the eccentric weight to the length of the beam and to the concrete slump.

1. Remove the beam. Refer to *To assemble the product on page 7*.

Beam length, m/ft	Concrete slump				
	S1*	S2	S3	S4	S5**
1.82/6.0	N/A	87%	75%	62%	62%
2.44/8.0	N/A	87%	87%	75%	62%
3.05/10.0	N/A	100%	87%	75%	62%
3.66/12.0	N/A	100%	100%	87%	75%
4.26/14.0	N/A	100%	100%	87%	75%

*S1: Lowest water contents in the concrete slump.

**S5: Highest water contents in the concrete slump.

5. Tighten the lock bolt.
 6. Install the cover for the eccentric element and the 7 screws.
 7. Install the beam.

Operation

Introduction



WARNING: Read and understand the safety chapter before you use the product.

To do before you operate the product

- Read the operator's manual carefully and make sure that you understand the instructions.
- Read the engine manual that is supplied by the engine manufacturer.
- Do the daily maintenance. Refer to *Maintenance schedule on page 10*.

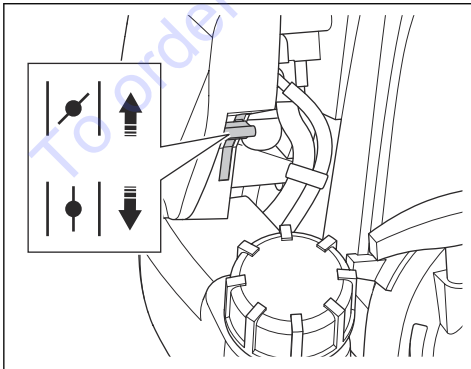
Vibration frequency and operation speed

The vibrations in the product are caused by eccentric elements. There is a centrifugal clutch between the eccentric elements and the engine. This means that at idle speed there are no vibrations in the product. When the engine speed increases, the clutch engages and the vibrations start. The vibration frequency decreases if the engine speed decreases and stops fully when the engine is at idle speed. Thus, the throttle control sets the engine speed and also the vibration speed.

It is necessary to adjust the vibration frequency to the condition of the concrete slump. For low water content in the concrete slump, a higher vibration frequency is necessary. For high water content in the concrete slump, a lower vibration frequency is necessary. Differences in the speed of the movement and the vibration frequency gives different results.

To start the product

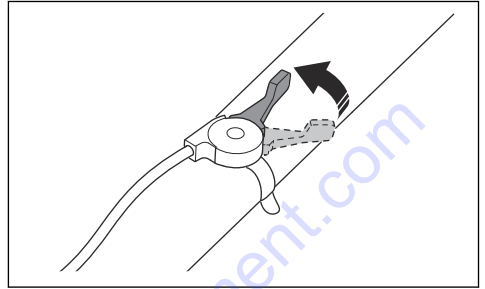
1. Open the fuel valve.
2. Set the choke control in the correct position.



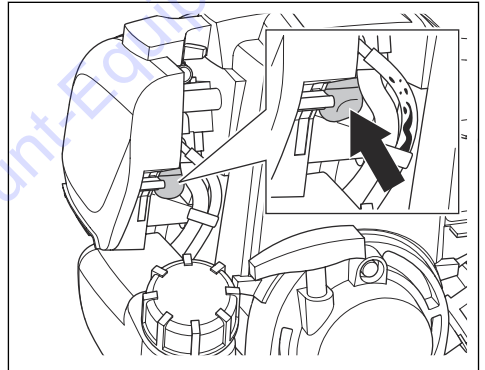
- a) If the engine is cold, close the choke.

- b) If the engine is warm or the ambient temperature is high, open the choke.

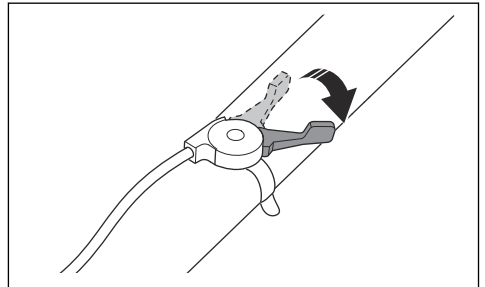
3. Make sure that the throttle control is set to idle speed.



4. Push the primer pump until you see fuel in the fuel hose.

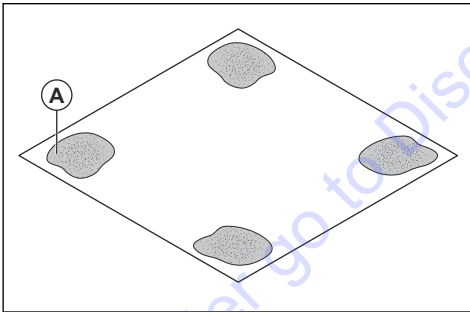


5. Pull the starter rope handle until the engine starts.
6. If the choke is closed, open the choke immediately.
7. Let the engine operate at idle speed for 2–3 minutes.
8. Set the throttle control to full throttle.

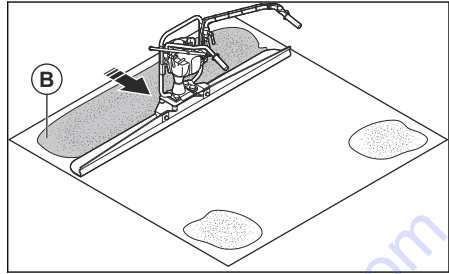


To operate the product

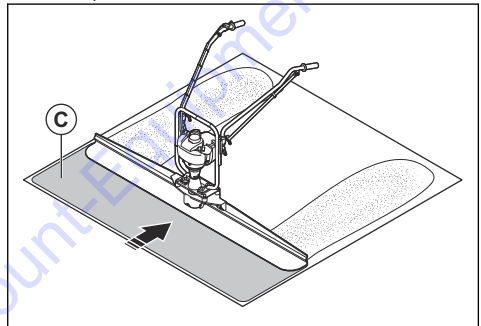
1. Spray the lowest part of the beam with concrete form oil or concrete release agent. This makes it easier to clean the product after operation because the concrete does not attach to the beam.
2. Put the beam at the start of the first section of the concrete surface.
3. Start the product.
4. Move the throttle control to adjust the vibration frequency.
5. Hold the handles tightly with two hands.
6. Walk slowly rearward and at the same time lift the product until the rear edge of the beam is slightly lifted. The vibrations remove your shoe prints from the concrete surface.
7. Put 30-35 cm/11.8-13.8 in. of the beam on the smooth concrete surface to make an overlap on the next section of the concrete surface.
8. To make areas of concrete level, do the procedure that follows.
 - a) In the 4 corners, make 30-45 cm/11.8-17.7 in. diameter of wet concrete areas (A) with a hand float. Use a laser to make sure that the wet concrete areas have the correct level. The distance between the outer edges of the wet concrete areas must not be more than the length of the beam.



- b) Operate the product between the wet concrete areas to make 2 parallel strips (B). The strips must be 30-45 cm/11.8-17.7 in. wide.



- c) Put the end of the beam on each of the parallel strips and operate the product (C). Make sure that the beam follows the contour of the parallel strips.



To stop the product

1. Move the throttle control to the idle speed position.
2. Push the stop button for the engine. Refer to *Product overview on page 2*.
3. Move the fuel valve to the "OFF" position.

Maintenance

Introduction



WARNING: Read and understand the safety chapter before you do maintenance on the product.

Maintenance schedule

* = General maintenance done by the operator. The instructions are not given in this operator's manual.

X = The instructions are given in this operator's manual.

O = Refer to the engine manual for instructions.

Maintenance	Each use	After the first 10h	Each 25h	Each 50h	Yearly or each 100h	Each 2 years or each 300h
Clean the product.	X					

Maintenance	Each use	After the first 10h	Each 25h	Each 50h	Yearly or each 100h	Each 2 years or each 300h
Make sure that there are no fuel or oil leaks.	*					
Make sure that nuts and screws are tightened.	*					
Do a check of the fuel level and the engine oil level.	○					
Do a check of the throttle control and the throttle wire.	*					
Examine the air filter. Clean the air filter if it is necessary.	○					
Clean the air filter. Replace the air filter if it is necessary.			○	○	○	○
Replace the engine oil.		○		○	○	○
Examine and clean the spark plug. Replace the spark plug if it is necessary.					○	○
Replace the spark plug.						○
Examine the vibration damping units for damage. Refer to <i>To do a check of the vibration damping system on page 7.</i>					X	X
Clean the spark arrester screen on the muffler.					○	○
Drain the fuel and clean the fuel tank and the fuel filter. Replace the fuel filter if it is necessary.				○	○	○

To clean the product

- Remove concrete from the surfaces of the product after each operation before the concrete becomes hard.
- Use water and a brush to clean the product.

- Spray the beam with concrete form oil or concrete release agent. This makes it easier to clean the product after the next operation.
- Remove grease and oil from the handle.



CAUTION: Do not point the water directly at electrical components or the engine.

Troubleshooting

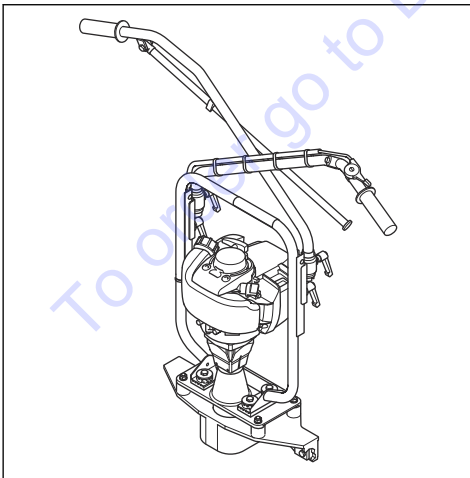
Problem	Cause	Solution
The product does not start.	The fuel tank is empty.	Fill fuel.
	The engine is cold.	Close the choke.
	Engine failure.	Refer to the engine manual.

Problem	Cause	Solution
The product does not stop when you push the stop button.	The cable for the stop button is broken.	Examine the cable and replace it if it is necessary.
The product starts but there is no vibration.	The vibration damping unit on the vibration shaft is damaged.	Replace the vibration damping unit and the bearings on the vibration shaft.
The vibrations in the product are not correct.	The eccentric element is incorrectly set.	Adjust the eccentric element. Adjust 50% if there is too much vibration. Adjust 100% if the vibrations are not sufficient.
The noise level is too high.	The vibration bearings are damaged.	Replace the vibration bearings.
	The handle knobs are not sufficiently tightened.	Tighten the handle knobs.
The vibrations are not equal along the concrete surface.	The vibration frequency is too low.	Increase the vibration frequency.
	Incorrect vibration procedure.	Operate the product correctly. Refer to <i>To operate the product on page 10</i> .
The vibration in the handle is too high.	The vibration damping units are worn.	Replace the vibration damping units. Refer to <i>Product overview on page 2</i> for the position of the vibration damping units.

Transportation, storage and disposal

Transportation

- Keep the handles folded during transportation.



- During transportation, keep the engine in a vertical position to prevent fuel leakage.
- Safely attach the product during transportation to prevent damage and accidents.

Storage

- Clean the product before storage.
- Keep the product in a dry and frost-free area.
- Keep the product in a locked area to prevent access for children or persons that are not approved.

Technical data

Weight, kg/lb	14/30
Engine brand / Type *	Honda / GX35
Engine power *, kW/hp @rpm	1.2/1.6 @7400
Fuel *	Unleaded gasoline, max. 10% ethanol
Fuel tank capacity *, l/qts	0.65/0.69
Oil tank capacity *, l/qts	0.1/0.1

* = For further information and questions about this specific engine, refer to the engine manual or the web site of the engine manufacturer.

Noise and vibration emissions	
Sound power level, measured dB (A) ¹	115.7
Sound pressure level L_p at the work station, dB (A) ²	102
Weighted r.m.s. acceleration, a_{hw} , m/s^2 ³	9,62 ± 0.14

Noise and vibration declaration statement

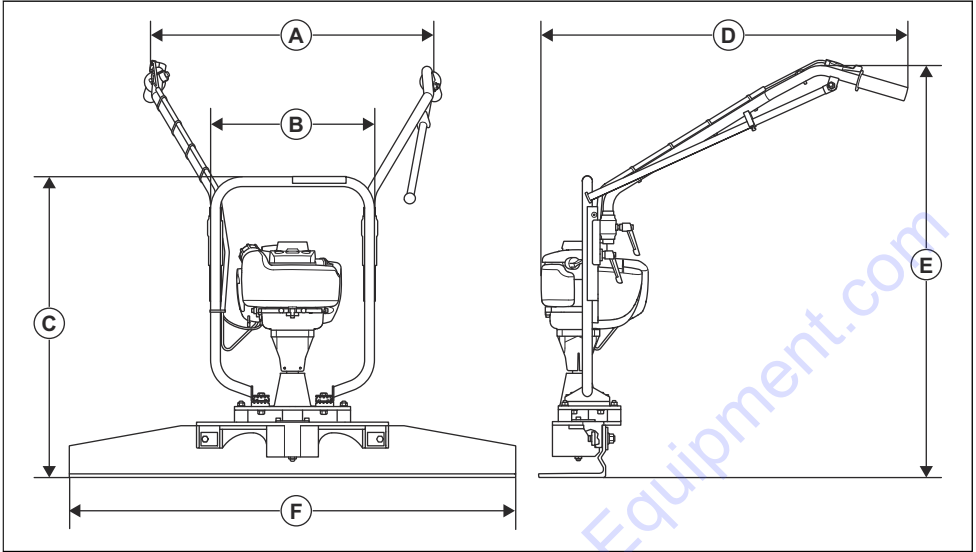
These declared values were obtained by laboratory type testing in accordance with the stated directive or standards and are suitable for comparison with the declared values of other products tested in accordance with the same directive or standards. These declared values are not suitable for use in risk assessments and values measured in individual work places may be higher. The actual exposure values and risk of harm experienced by an individual user are unique and depend upon the way the user works, in what material the product is used, as well as upon the exposure time and the physical condition of the user, and the condition of the product.

¹ Measured sound power level L_w according to EN 12649, EN ISO 11201. Uncertainty K_{wA} 1.1 dB(A).

² Measured sound pressure level L_p according to EN 12649, EN ISO 11203. Uncertainty K_{wA} 1,1 dB(A).

³ Vibration value according to EN 12649, EN ISO 20643.

Product dimensions



A	Max. handle width, mm/in.	700/27.5
B	Width without handles, mm/in.	580/22.8
C	Height without handles, mm/in.	670/26.4
D	Length, mm/in.	800/31.5
E	Height including handles, mm/in.	800–1300/31.5–51.2
F	Beam width, 5 different dimensions, mm/in.	1.8/6, 2.4/8, 3.0/10, 3.6/12, 4.2/14

Accessories

Beams

Length, m/ft	Weight, kg/lb
1.82/6.0	6.6/14.7
2.44/8.0	8.8/19.5
3.05/10.0	11.0/24.3
3.66/12.0	13.2/29.1
4.26/14.0	15.3/33.8

Refer to the spare part list (IPL) for part numbers for the beams.

To order go to Discount-Equipment.com

Declaration of Conformity

EC Declaration of Conformity

Description	Concrete Compactor, Vibrating Beam
Brand	Husqvarna
Type/Model	BV 30
Identification	Serial numbers dating from 2021 and onwards

complies fully with the following EU directives and regulations:

Directive/Regulation	Description
2006/42/EC	"relating to machinery"
2014/30/EU	"relating to electromagnetic compatibility"

UK Declaration of Conformity

Description	Concrete Compactor, Vibrating Beam
Brand	Husqvarna
Type/Model	BV 30
Identification	Serial numbers dating from 2021 and onwards

complies fully with the following UK directives and regulations:

The Supply of Machinery (Safety) Regulations 2008
Electromagnetic Compatibility Regulations 2016



To order go to Discount-Equipment.com

Original instructions

1159985-26



2021-12-01

TO PURCHASE THIS PRODUCT PLEASE CONTACT US



**Equipment Financing and
Extended Warranties Available**



**Discount-Equipment.com is your online resource for
commercial and industrial quality parts and equipment sales.**

561-964-4949

visit us on line @ www.discount-equipment.com

Select an option below to find your Equipment

Search by Manufacturer

Search by Product Type

Request a Quote

We sell worldwide for the brands: Genie, Terex, JLG, MultiQuip, Mikasa, Essick, Whiteman, Mayco, Toro Stone, Diamond Products, Generac Magnum, Airman, Haulotte, Barreto, Power Blanket, Nifty Lift, Atlas Copco, Chicago Pneumatic, Allmand, Miller Curber, Skyjack, Lull, Skytrak, Tsurumi, Husquvarna Target, Stow, Wacker, Sakai, Mi-T-M, Sullair, Basic, Dynapac, MBW, Weber, Bartell, Bennar Newman, Haulotte, Ditch Runner, Menegotti, Morrison, Contec, Buddy, Crown, Edco, Wyco, Bomag, Laymor, EZ Trench, Bil-Jax, F.S. Curtis, Gehl Pavers, Heli, Honda, ICS/PowerGrit, IHI, Partner, Imer, Clipper, MMD, Koshin, Rice, CH&E, General Equipment, Amida, Coleman, NAC, Gradall, Square Shooter, Kent, Stanley, Tamco, Toku, Hatz, Kohler, Robin, Wisconsin, Northrock, Oztec, Toker TK, Rol-Air, APT, Wylie, Ingersoll Rand / Doosan, Innovatech, Con X, Ammann, Mecalac, Makinex, Smith Surface Prep, Small Line, Wanco, Yanmar