



# Husqvarna®



K 970 III, K 970 III Rescue, K 970 SmartGuard

EN Operator's manual  
ES-MX Manual de usuario  
FR-CA Manuel d'utilisation

2-37  
38-76  
77-115

**TO PURCHASE THIS PRODUCT PLEASE CONTACT US**



**Equipment Financing and  
Extended Warranties Available**



**Discount-Equipment.com is your online resource for  
commercial and industrial quality parts and equipment sales.**

**561-964-4949**

**visit us on line @ [www.discount-equipment.com](http://www.discount-equipment.com)**

Select an option below to find your Equipment

**Search by Manufacturer**

**Search by Product Type**

**Request a Quote**

We sell worldwide for the brands: Genie, Terex, JLG, MultiQuip, Mikasa, Essick, Whiteman, Mayco, Toro Stone, Diamond Products, Generac Magnum, Airman, Haulotte, Barreto, Power Blanket, Nifty Lift, Atlas Copco, Chicago Pneumatic, Allmand, Miller Curber, Skyjack, Lull, Skytrak, Tsurumi, Husquvarna Target, Stow, Wacker, Sakai, Mi-T-M, Sullair, Basic, Dynapac, MBW, Weber, Bartell, Bennar Newman, Haulotte, Ditch Runner, Menegotti, Morrison, Contec, Buddy, Crown, Edco, Wyco, Bomag, Laymor, EZ Trench, Bil-Jax, F.S. Curtis, Gehl Pavers, Heli, Honda, ICS/PowerGrit, IHI, Partner, Imer, Clipper, MMD, Koshin, Rice, CH&E, General Equipment, Amida, Coleman, NAC, Gradall, Square Shooter, Kent, Stanley, Tamco, Toku, Hatz, Kohler, Robin, Wisconsin, Northrock, Oztec, Toker TK, Rol-Air, APT, Wylie, Ingersoll Rand / Doosan, Innovatech, Con X, Ammann, Mecalac, Makinex, Smith Surface Prep, Small Line, Wanco, Yanmar

---

## Contents

---

Introduction.....	2	Troubleshooting.....	33
Safety.....	7	Transportation, storage and disposal.....	34
Assembly.....	13	Technical data.....	35
Operation.....	18	Warranty.....	36
Maintenance.....	27		

---

## Introduction

---

### Owner responsibility

---



**WARNING:** Processing of concrete and stone by methods such as cutting, grinding or drilling, especially during dry operation, generates dust that comes from the material being processed, which frequently contains silica. Silica is a basic component of sand, quartz, brick clay, granite and numerous other minerals and rocks. Exposure to excessive amount of such dust can cause:

Respiratory disease (affecting your ability to breathe), including chronic bronchitis, silicosis and pulmonary fibrosis from exposure to silica. These diseases may be fatal;

Skin irritation and rash.

Cancer according to NTP\* and IARC\* \*\*/ National Toxicology Program, International Agency for Research on Cancer.

Take precautionary steps:

Avoid inhalation of and skin contact with dust, mist and fumes.

Wear and ensure that all bystanders wear appropriate respiratory protection such as dust masks designed to filter out microscopic particles. (See OSHA 29 CFR Part 1926.1153)

To minimize dust emissions, use water to bind the dust, when feasible.

---

It is the owner's/employer's responsibility that the operator has sufficient knowledge about how to use the product safely. Supervisors and operators must have read and understood the Operator's Manual. They must be aware of:

- The product's safety instructions.
- The product's range of applications and limitations.
- How the product is to be used and maintained.

### California Proposition 65

#### **WARNING!**

The engine exhaust from this product contains chemicals known to the State of California to cause cancer, birth defects or other reproductive harm.

### Product description

These HUSQVARNA K 970 III, K 970 III Rescue and K 970 SmartGuard power cutters are portable handheld cut-off machines powered by 2-stroke combustion engines.

### Intended use

The product is used to cut hard materials as concrete, masonry, stone and steel. Do not use the product for other tasks. The product must only be used by professional operators with experience.

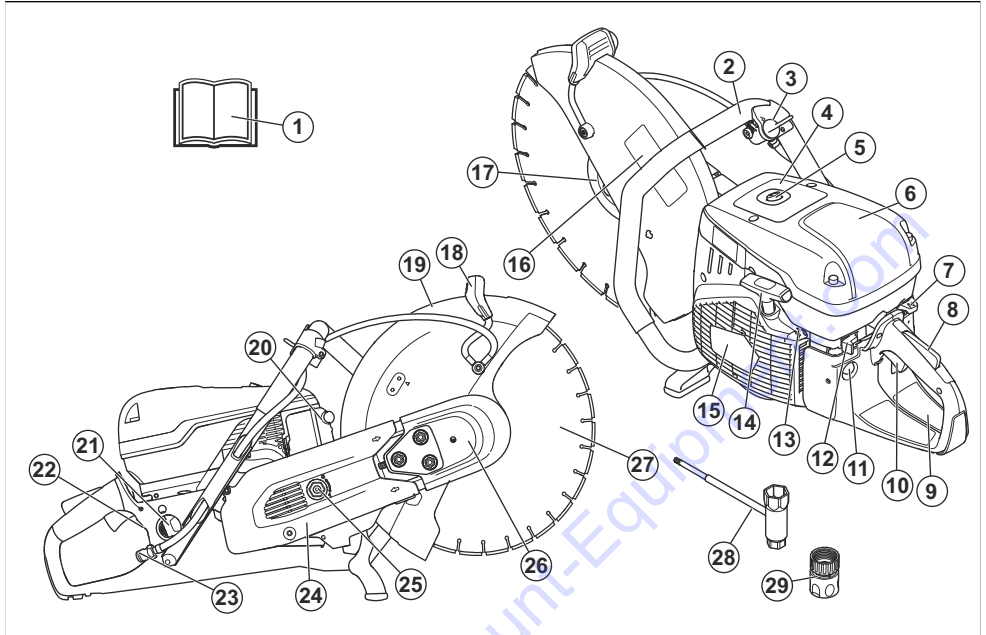
Work is constantly in progress to increase your safety and efficiency during operation. Speak to your servicing dealer for more information.

---

**Note:** National/Local regulations could restrict the use of this product.

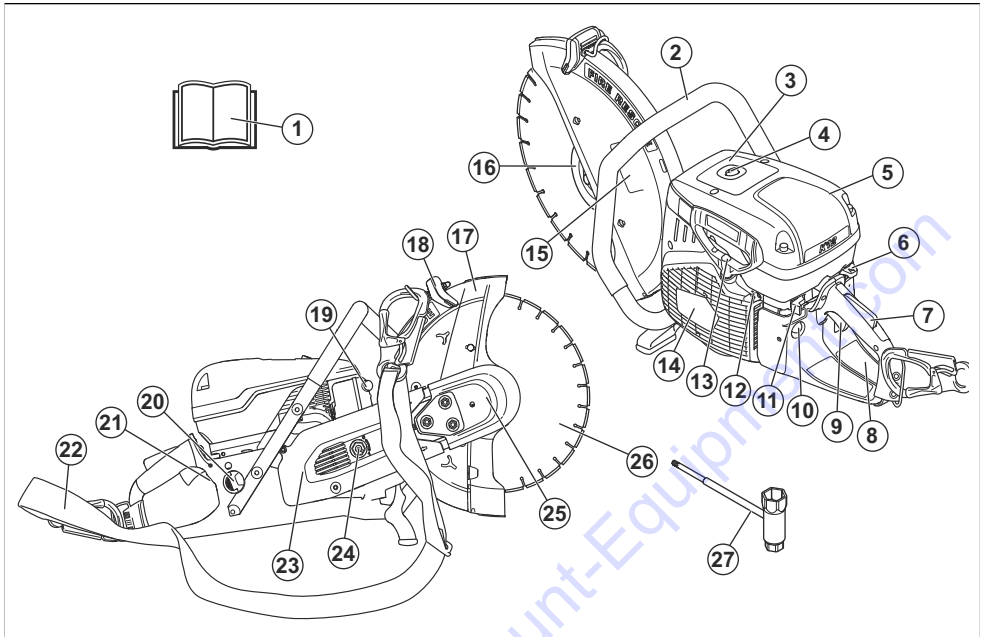
---

## Product overview K 970 III



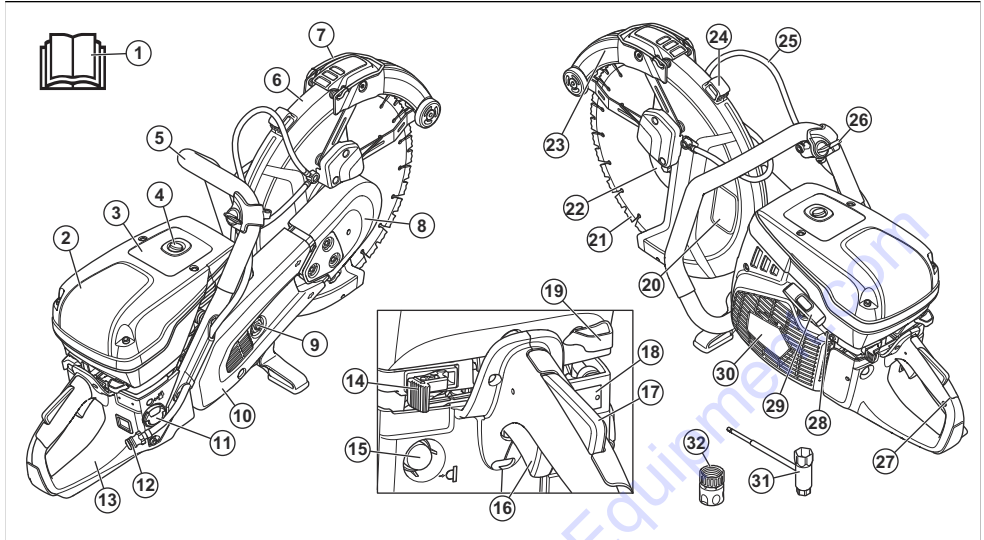
- |                                    |                                       |
|------------------------------------|---------------------------------------|
| 1. Operator's manual               | 16. Cutting equipment decal           |
| 2. Front handle                    | 17. Flange, spindle, arbor bushing    |
| 3. Water valve                     | 18. Adjustment handle for blade guard |
| 4. Warning decal                   | 19. Blade guard                       |
| 5. Decompression valve             | 20. Muffler                           |
| 6. Air filter cover                | 21. Fuel tank cap                     |
| 7. Choke control                   | 22. Type plate                        |
| 8. Throttle trigger lockout        | 23. Water connection with filter      |
| 9. Start instruction decal         | 24. Rear belt guard                   |
| 10. Throttle trigger               | 25. Belt tensioner                    |
| 11. Air purge bulb                 | 26. Front belt guard                  |
| 12. Stop switch                    | 27. Cutting blade (not supplied)      |
| 13. T screw, idle speed adjustment | 28. Combination wrench                |
| 14. Starter rope handle            | 29. Water connector, GARDENA®         |
| 15. Starter housing                |                                       |

## Product overview K 970 III Rescue



- |                                    |                                       |
|------------------------------------|---------------------------------------|
| 1. Operator's manual               | 15. Cutting equipment decal           |
| 2. Front handle                    | 16. Flange, spindle, arbor bushing    |
| 3. Warning decal                   | 17. Blade guard                       |
| 4. Decompression valve             | 18. Adjustment handle for blade guard |
| 5. Air filter cover                | 19. Muffler                           |
| 6. Choke control                   | 20. Fuel tank cap                     |
| 7. Throttle trigger lockout        | 21. Type plate                        |
| 8. Start instruction decal         | 22. Shoulder strap                    |
| 9. Throttle trigger                | 23. Rear belt guard                   |
| 10. Air purge bulb                 | 24. Belt tensioner                    |
| 11. Stop switch                    | 25. Front belt guard                  |
| 12. T screw, idle speed adjustment | 26. Cutting blade (not supplied)      |
| 13. Starter rope handle            | 27. Combination wrench                |
| 14. Starter housing                |                                       |

# Product overview K 970 SmartGuard



- |  |   |
|--|---|
| <ol style="list-style-type: none"> <li>1. Operator's manual</li> <li>2. Air filter cover</li> <li>3. Warning decal</li> <li>4. Decompression valve</li> <li>5. Front handle</li> <li>6. Blade guard</li> <li>7. SmartGuard handle</li> <li>8. Front belt guard</li> <li>9. Belt tensioner</li> <li>10. Rear belt guard</li> <li>11. Fuel tank cap</li> <li>12. Water connection with filter</li> <li>13. Start instruction decal</li> <li>14. Stop switch</li> <li>15. Air purge bulb</li> <li>16. Throttle trigger</li> <li>17. Throttle trigger lockout</li> <li>18. Type plate</li> <li>19. Choke control</li> <li>20. Cutting equipment decal</li> <li>21. Cutting blade (not supplied)</li> <li>22. Flange, spindle, arbor bushing</li> <li>23. SmartGuard</li> <li>24. Adjustment handle for blade guard</li> <li>25. Water hose</li> <li>26. Water valve</li> <li>27. Rear handle</li> <li>28. T screw, idle speed adjustment</li> <li>29. Starter rope handle</li> </ol> | <ol style="list-style-type: none"> <li>30. Starter housing</li> <li>31. Combination wrench</li> <li>32. Water connector GARDENA®</li> </ol> |
|--|---|

## Symbols on the product



**WARNING:** This product can be dangerous and cause serious injury or death to the operator or others. Be careful and use the product correctly.



Read the operator's manual carefully and make sure that you understand the instructions before you use this product.



Use approved protective helmet, hearing protection, eye protection and respiratory protection. Refer to *Personal protective equipment on page 9*.



Dust forms when cutting. The dust can cause injuries if inhaled. Use an approved respiratory protection. Avoid inhaling exhaust fumes. Always provide for good ventilation.



**WARNING!** Kickbacks can be sudden, rapid and violent and can cause life threatening injuries. Read and understand the instructions in the manual before using the product. Refer to *Kickback on page 18*.



Sparks from the cutting blade can cause fire in fuel, wood, clothes, dry grass or other flammable materials.



Make sure that the cutting blade does not have cracks or other damages.



Do not use circular saw blades.



Choke



Air purge bulb



Decompression valve



Starter rope handle



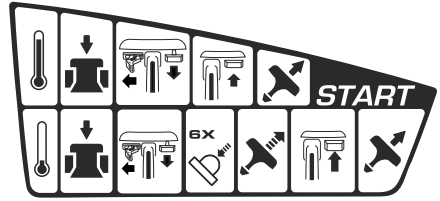
Use a fuel mixture of gasoline and oil.



Underwriters Laboratories Inc. (UL) has UL listed this machine as compliant to ANSI B175.4 US Safety standard.

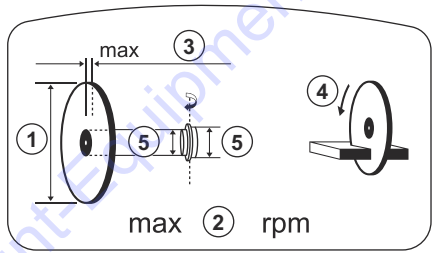
**Note:** Other symbols/decals on the product refer to special certification requirements for some markets.

### Start instructions decal



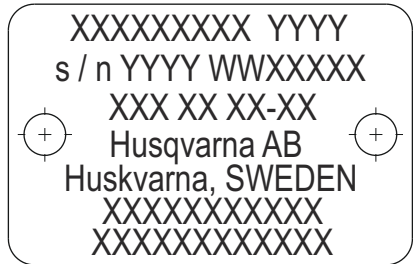
Refer to *To start the product with a cold engine on page 24* and *To start the product with a warm engine on page 25* for instructions.

### Cutting equipment decal



1. Cutting blade diameter
2. Max. speed of output shaft
3. Max. blade thickness
4. Direction of rotation
5. Bushing dimension

### Type plate



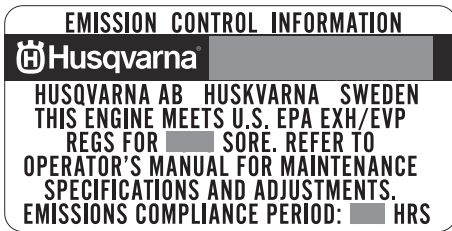
Row 1: Brand, Model (X, Y)

Row 2: Serial No. with manufacturing date (Y, W, X):  
Year, Week, Sequence No.

Row 3: Product No. (X)

Row 4: Manufacturer

Row 5: Manufacturer address



The Emissions Compliance Period referred to on the Emission Compliance label indicates the number of operating hours for which the engine has been shown to meet Federal emissions requirement. Maintenance, replacement or repair of the emission control devices and system may be performed by any nonroad engine repair establishment or individual.

**Note:** This machine is considered a preempt Off-Road Application as relating to CARB standards. The U.S EPA has sole authority to establish emission standards for preempt construction equipment.

### Product liability

As referred to in the product liability laws, we are not liable for damages that our product causes if:

- the product is incorrectly repaired.
- the product is repaired with parts that are not from the manufacturer or not approved by the manufacturer.
- the product has an accessory that is not from the manufacturer or not approved by the manufacturer.
- the product is not repaired at an approved service center or by an approved authority.

## Safety

### Safety definitions

Warnings, cautions and notes are used to point out specially important parts of the manual.



**WARNING:** Used if there is a risk of injury or death for the operator or bystanders if the instructions in the manual are not obeyed.



**CAUTION:** Used if there is a risk of damage to the product, other materials or the adjacent area if the instructions in the manual are not obeyed.

**Note:** Used to give more information that is necessary in a given situation.

### General safety instructions



**WARNING:** Read the warning instructions that follow before you use the product.

- A power cutter is a dangerous tool if used carelessly or incorrectly and can cause serious injury or death. It is very important that you read and understand the contents of this operator's manual. It is also recommended that first time operators also obtain practical instruction before using the product.

- Do not do modifications to this product. Modifications that are not approved by the manufacturer, can cause serious injury or death.
- Do not operate the product if it is possible that other persons have done modifications to the product.
- Always use original accessories and spare parts. Accessories and spare parts that are not approved by the manufacturer, can cause serious injury or death.
- Keep the product clean. Make sure that you can clearly read signs and decals.
- Never allow children or other persons not trained in the use of the product to use or service it.
- Do not let a person operate the product unless they read and understand the contents of the operator's manual.
- Only let approved persons operate the product.
- This product produces an electromagnetic field during operation. This field can under some circumstances interfere with active or passive medical implants. To decrease the risk of serious injury or death, we recommend persons with medical implants to speak to their physician and the medical implant manufacturer before operating this product.
- The information in this operator's manual is never a substitute for professional skills and experience. If you are in a situation where you feel unsafe, stop and get expert advice. Speak to your servicing dealer. Do not try any task that you feel unsure of.



## Safety instructions for operation

---



**WARNING:** Read the warning instructions that follow before you use the product.

---

- Before you use a power cutter, you must understand the effects of kickback and how to prevent them. Refer to *Kickback on page 18*.
- Do the safety checks, maintenance and servicing as given in this operator's manual. Some maintenance and servicing must be done by an approved service center. Refer to *Introduction on page 27*.
- Do not use the product if it is defective.
- Do not use the product if you are tired, ill, or under the influence of alcohol, drugs or medicine. These conditions can have an unwanted effect on your vision, alertness, coordination or judgment.
- Do not start the product without the belt and the belt guard installed. The clutch can become loose and cause injury.
- Sparks from the cutting blade can cause fire in flammable materials such as gasoline, gas, wood, clothes and dry grass.
- Do not cut asbestos material.

## Work area safety

---



**WARNING:** Read the warning instructions that follow before you use the product.

---

- The safety distance for the power cutter is 15 m/50 ft. Make sure that animals and bystanders are not in the work area.
- Do not operate the product until the work area is clear and your feet and body are in a stable position.
- Look out for persons, objects and situations that can prevent safe operation of the product.
- Make sure that no persons or objects can come into contact with the cutting equipment or be hit by parts thrown by the blade.
- Do not use the product in fog, rain, strong winds, cold weather, risk of lightning or other bad weather conditions. To use the product in bad weather can have a negative effect on your alertness. Bad weather can cause dangerous work conditions, such as slippery surfaces.
- During operation of the product, make sure that no material can become loose and fall and cause injury to the operator.
- Be very careful when you operate the product on a slope.
- Keep the work area clean and bright.
- Before you operate the product, find out if there are hidden hazards such as electrical cables, water, and gas pipes and flammable substances in the work area. If the product hits a hidden object, stop the

engine immediately and examine the product and the object. Do not start to operate the product again until you know that it is safe to continue.

- Before you cut into a drum, a pipe, or other container, make sure that it does not contain flammable or other material that can cause fire or explosion.

## Vibration safety

---



**WARNING:** Read the warning instructions that follow before you use the product.

---

- During operation of the product, vibrations go from the product to the operator. Regular and frequent operation of the product can cause or increase the degree of injuries to the operator. Injuries can occur in fingers, hands, wrists, arms, shoulders, and/or nerves and blood supply or other body parts. The injuries can be debilitating and/or permanent, and can increase gradually during weeks, months or years. Possible injuries include damage to the blood circulation system, the nervous system, joints, and other body structures.
- Symptoms can occur during operation of the product or at other times. If you have symptoms and continue to operate the product, the symptoms can increase or become permanent. If these or other symptoms occur, get medical aid:
  - Numbness, loss of feeling, tingling, pricking, pain, burning, throbbing, stiffness, clumsiness, loss of strength, changes in skin color or condition.
- Symptoms can increase in cold temperatures. Use warm clothing and keep your hands warm and dry when you operate the product in cold environments.
- Do maintenance on and operate the product as given in the operator's manual, to keep a correct vibration level.
- The product has a vibration damping system that decreases the vibrations from the handles to the operator. Let the product do the work. Do not push the product with force. Hold the product at the handles lightly, but make sure that you control the product and operate it safely. Do not push the handles into the end stops more than necessary.
- Keep your hands on the handle or handles only. Keep all other body parts away from the product.
- Stop the product immediately if strong vibrations suddenly occurs. Do not continue the operation before the cause of the increased vibrations is removed.
- To cut granite or hard concrete causes more vibration in the product than if you cut soft concrete. Cutting equipment that is blunt, defective, of incorrect type or incorrectly sharpened, increases the vibration level

## Exhaust fumes safety



**WARNING:** Read the warning instructions that follow before you use the product.

- The exhaust fumes from the engine contain carbon monoxide which is an odourless, poisonous and very dangerous gas. To breathe carbon monoxide can cause death. Because carbon monoxide is odourless and cannot be seen, it is not possible to sense it. A symptom of carbon monoxide poisoning is dizziness, but it is possible that a person becomes unconscious without warning if the quantity or concentration of carbon monoxide is sufficient.
- Exhaust fumes also contain unburned hydrocarbons including benzene. Long-term inhalation can cause health problems.
- Exhaust fumes that you can see or smell also contain carbon monoxide.
- Do not use a combustion engine product indoors or in areas that do not have sufficient airflow.
- Do not breathe the exhaust fumes.
- Make sure that the airflow in the work area is sufficient. This is very important when you operate the product in trenches or other small work areas where exhaust fumes can easily collect.

## Dust safety



**WARNING:** Read the warning instructions that follow before you use the product.

- Operation of the product can cause dust in the air. Dust can cause serious injury and permanent health problems. Silica dust is regulated as harmful by several authorities. These are examples of such health problems:
  - The fatal lung diseases chronic bronchitis, silicosis and pulmonary fibrosis
  - Cancer
  - Birth defects
  - Skin inflammation
- Use correct equipment to decrease the quantity of dust and fumes in the air and to decrease dust on work equipment, surfaces, clothing and body parts. Examples of controls are dust collection systems and water sprays to bind dust. Decrease dust at the source where possible. Make sure that the equipment is correctly installed and used and that regular maintenance is done.
- Use approved respiratory protection. Make sure that the respiratory protection is applicable for the dangerous materials in the work area.
- Make sure that the airflow is sufficient in the work area.

- If it is possible, point the exhaust of the product where it cannot cause dust to go into the air.

## Personal protective equipment



**WARNING:** Read the warning instructions that follow before you use the product.

- Always use approved personal protective equipment during operation. Personal protective equipment cannot eliminate the risk of injury but it will reduce the degree of injury if an accident does happen. Ask your servicing dealer for help in choosing the right equipment.
- Use an approved protective helmet.
- Use approved hearing protection. Long-term exposure to noise can result in permanent hearing impairment. Be aware of warning signals or shouts when you are wearing hearing protection. Always remove your hearing protection as soon as the engine stops.
- Use approved eye protection to decrease the risk of injury from thrown objects. If you use a face shield then you must also wear approved protective goggles. Approved protective goggles must comply with standard ANSI Z87.1 in the USA or EN 166 in EU countries. Visors must comply with standard EN 1731.
- Use heavy duty gloves.
- Use approved respiratory protection. The use of products such as cutters, grinders, drills, that sand or form material can generate dust and vapours which may contain hazardous chemicals. Check the nature of the material you intend to process and use appropriate breathing mask.
- Use tight-fitting, heavy-duty and comfortable clothing that permits full freedom of movement. Cutting generates sparks that can ignite clothing. HUSQVARNA recommends that you wear flame-retardant cotton or heavy denim. Do not wear clothing made of material such as nylon, polyester or rayon. If ignited such material can melt and cling to the skin. Do not wear shorts.
- Use boots with steel toe-cap and non-slip sole.
- Always keep a first aid kit near.



- Sparks can come from the muffler or the cutting blade. Always have a fire extinguishing available.

## Safety devices on the product

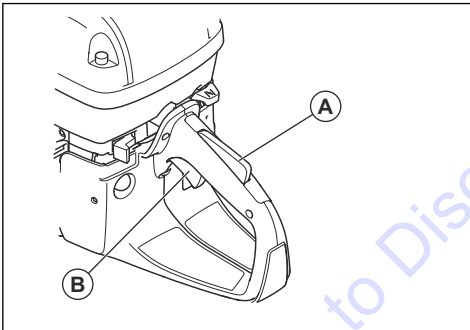


**WARNING:** Read the warning instructions that follow before you use the product.

- Do not use a product with defective safety devices.
- Do a check of the safety devices regularly. If the safety devices are defective, speak Discount-equipment.
- Do not change the safety devices.
- Do not use the product if protective plates, protective covers, safety switches or other protective devices are defective or not attached.

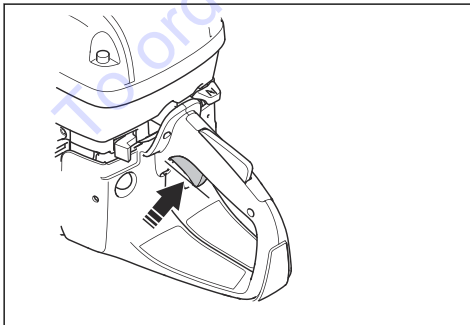
### Throttle trigger lockout

The throttle trigger lockout prevents accidental operation of the throttle trigger. If you put your hand around the handle and push the throttle trigger lockout (A), it releases the throttle trigger (B). If you release the handle, the throttle trigger and the throttle trigger lockout move back to their initial positions. This function locks the throttle trigger at idle speed.

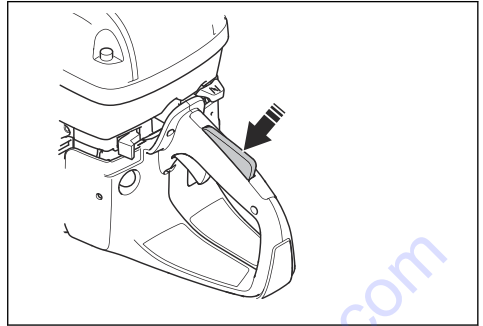


### To do a check of the throttle trigger lockout

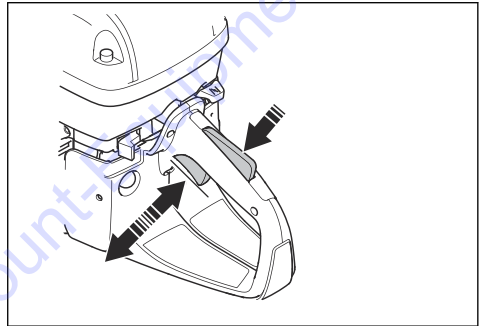
1. Make sure that the throttle trigger is locked at the idle position when the throttle trigger lockout is released.



2. Push the throttle trigger lockout and make sure that it goes back when you release it.



3. Make sure that the throttle trigger and throttle trigger lockout move freely and that the return springs operate correctly.

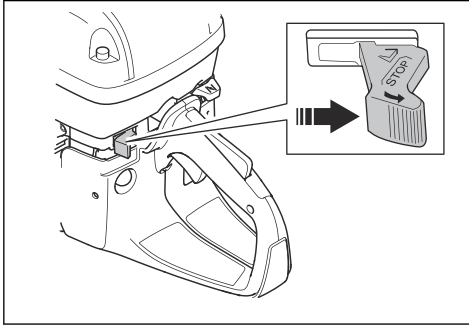


4. Start the product and apply full throttle.
5. Release the throttle control and make sure that the cutting blade stops and stays stationary.
6. If the cutting blade rotates at idle position, adjust the idle speed. Refer to *To adjust the idle speed on page 32*.

### To do a check of the stop switch

1. Start the engine. Refer to *To start the product with a cold engine on page 24*.

2. Push the stop switch to the STOP position. The engine must stop.

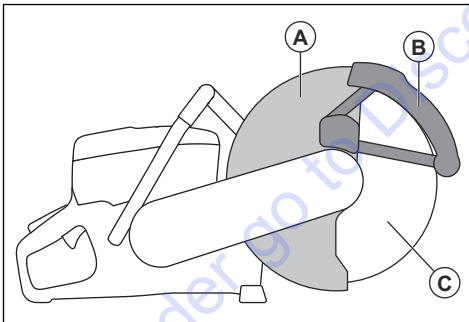


### Blade guard and SmartGuard (Optional)



**WARNING:** Make sure that the blade guard and SmartGuard are correctly attached before you start the product. Do not use the product if the blade guard or SmartGuard is missing, defective or has cracks.

The blade guard (A) and SmartGuard (B) are installed above the cutting blade (C). They prevent injury if pieces of the blade or cut material are thrown in the direction of the operator.



The SmartGuard is spring loaded and must always move freely and retract to its initial position by spring force.

### To examine the blade and the blade guard



**WARNING:** A damaged cutting blade can cause injury.

1. Make sure that the cutting blade is attached correctly and does not show signs of damage.
2. Make sure that the blade guard has no cracks or is damaged.

3. Replace the blade guard if it is damaged.

### To do a check of the SmartGuard

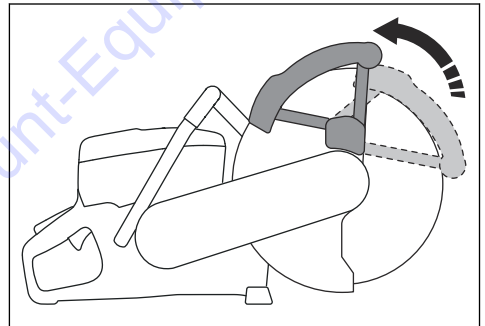


**WARNING:** A damaged SmartGuard can cause injury.



**CAUTION:** The SmartGuard is a plastic guard and can become damaged by heat during intense dry cutting of metal with bonded abrasive blades. Do not do intense dry metal cutting and let the product become cool between the cuts. For intense metal cutting with SmartGuard, we recommend wet cutting together with vacuum brazed diamond blades, such as VARI-CUT FR3.

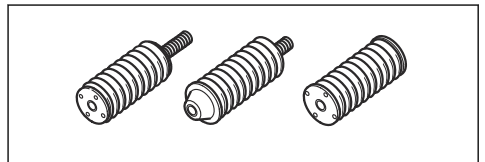
1. Make sure that the SmartGuard has no cracks or damage.
2. Make sure that the SmartGuard moves freely without much play and retracts by spring force.



3. Clean or replace the SmartGuard if it does not retract immediately when pushed in, or is damaged.

### Vibration damping system

Your product is equipped with a vibration damping system that is designed to minimize vibration and make operation easier. The product's vibration damping system reduces the transfer of vibration between the engine unit/cutting equipment and the product's handle unit.



### To do a check of the vibration damping system



**WARNING:** Make sure that the engine is off and that the stop switch is in STOP position.

1. Make sure that there are no cracks or deformation on the vibration damping units. Replace the vibration damping units if they are damaged.
2. Make sure that the vibration damping units are correctly attached to the engine unit and handle unit.

### Muffler

The muffler keeps the noise levels to a minimum and sends the exhaust fumes away from the operator.

Do not use the product if the muffler is missing or defective. A defective muffler increases the noise level and the risk of fire.



**WARNING:** The muffler becomes very hot during and after use and when the engine operates at idle speed. Be careful near flammable materials and/or fumes to prevent fire.

### To do a check of the muffler

- Examine the muffler regularly to make sure that it is attached correctly and not damaged.

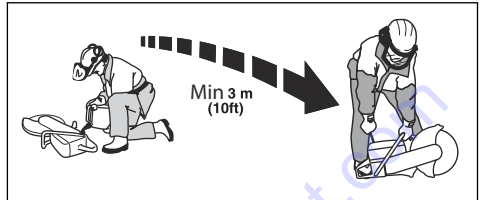
### Fuel safety



**WARNING:** Read the warning instructions that follow before you use the product.

- Fuel is flammable and the fumes are explosive. Be careful with fuel to prevent injury, fire and explosion.
- Only refuel the product outdoors, where the airflow is sufficient. Do not breathe in the fuel fumes. The fuel fumes are poisonous and can cause injury, fire and explosion.
- Do not remove the fuel tank cap or fill the fuel tank when the engine is on.
- Let the engine become cool before you refuel.
- Do not smoke near the fuel or the engine.
- Do not put hot objects near the fuel or the engine.
- Do not fill fuel near sparks or flames.
- Before you refuel, open the fuel tank cap slowly and release the pressure carefully.
- Fuel on your skin can cause injury. If you get fuel on your skin, use soap and water to remove the fuel.

- If you spill fuel on your clothing, change clothing immediately.
- Tighten the fuel tank cap fully. If the fuel tank cap is not correctly tightened, the vibrations in the product can loosen it and cause leakage of fuel and fuel fumes. Fuel and fuel fumes are a risk of fire.
- Before you start the product, move the product to a minimum of 3 m/10 ft from where you refueled.



- Do not start the product if there is fuel or oil spilled on the product. Remove the unwanted fuel and oil and let the product dry before you start the engine.
- Examine the engine for leaks regularly. If there are leaks in the fuel system, do not start the engine until the leaks are repaired.
- Keep fuel in approved containers only.
- When the product and fuel is in storage, make sure that fuel and fuel fumes cannot cause damage, fire and explosion.
- Drain the fuel in an approved container outdoors and away from sparks and flames.

### Safety instructions for maintenance



**WARNING:** Read the warning instructions that follow before you use the product.

- Make sure that the engine is off and that the stop switch is in STOP position.
- Use personal protective equipment. Refer to *Personal protective equipment on page 9*.
- If the maintenance is not done correctly and regularly, the risk of injury and damage to the product increases.
- Only do the maintenance as given in this operator's manual. Let an approved service center do all other servicing.
- Let an Discount-equipment do servicing on the product regularly.
- Replace damaged, worn or broken parts.
- Always use original accessories.

# Assembly

## Cutting blades



**WARNING:** Always use protective gloves when you assemble the product.



**WARNING:** A cutting blade can break and cause injury to the operator.



**WARNING:** Examine the cutting blade for cracks, lost segments distortion or unbalance prior to use and immediately after striking an unintended object. Do not use a damaged cutting blade. After inspecting and installing the cutting blade, position yourself and bystanders away from the plane of the rotating cutting blade and run the power tool at maximum no load speed for one minute.



**WARNING:** The cutting blade manufacturer gives warnings and recommendations for the operation and correct maintenance of the cutting blade. Those warnings are supplied with the cutting blade. Read and obey the instructions that are supplied with the cutting blade.

## Applicable cutting blades



**WARNING:** Only use diamond blades and abrasive blades for concrete and metal. Do not use blades with serrations such as circular wood cutting blades or blades with carbide tips. The risk of kickback is increased and carbide tips can come off and be thrown at high speed. This can result in injury or death.



**WARNING:** Never use a cutting blade for any other materials than what it was intended to cut.

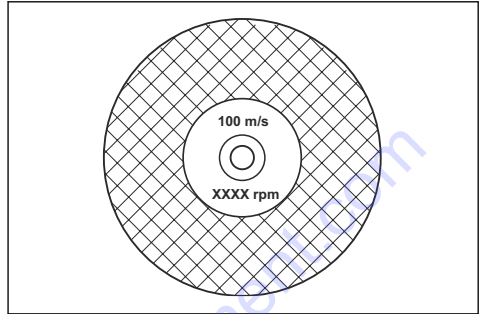


**WARNING:** Use only cutting blades that comply with applicable national or regional standards, for example EN12413, EN13236 or ANSI B7.1.



**WARNING:** Do not use a cutting blade with a rated speed value lower than that of the product. The rated speed value of the cutting blade is marked on the cutting blade,

and that of the product is marked on the blade guard.

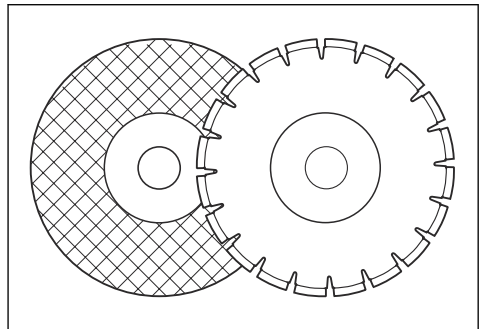


**Note:** Many cutting blades that can be attached to this product are made for stationary saws. The rated speed value of those cutting blades is too low for this product.



**CAUTION:** Do not use cutting blades with thickness exceeding maximum recommended thickness. Refer to *Technical data on page 35*.

- Cutting blades applicable to this product are available in two basic models; bonded abrasive blades and diamond blades.



- Make sure that the cutting blade has the correct center hole dimension for the installed arbor bushing.

## Cutting blade vibration



**CAUTION:** If you use the product with too much force, the cutting blade can become too hot, bend and cause vibrations. Use the product with less force. If the

vibrations continue, replace the cutting blade.

- Hang the cutting blade on your finger and hit the cutting blade lightly with a screwdriver. If you do not hear a clear sound, the cutting blade is damaged.

## Bonded abrasive cutting blades



**WARNING:** Do not use bonded abrasive cutting blades together with water. Moisture decreases the strength in the bonded abrasive cutting blade and the cutting blade can break and cause injury.

A bonded abrasive cutting blade is made of small abrasive grains joined with an organic or vitrified bond, molded with fabric reinforcements, which prevents the cutting blade from breaking during high speed operation.

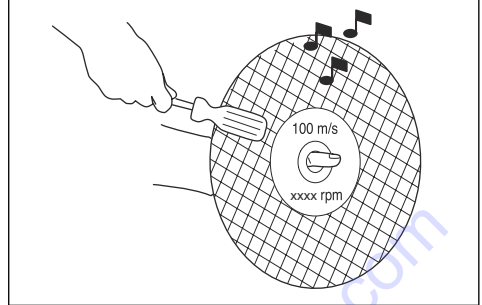
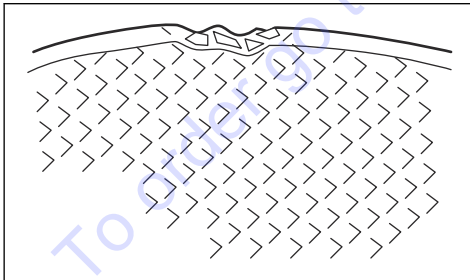
### Bonded abrasive cutting blades for different materials

**Note:** Make sure that you use the correct cutting blades for rail cutting.

Blade type	Material
Concrete blade	Concrete, asphalt, stone masonry, cast iron, aluminum, copper, brass, cables, rubber and plastic.
Metal blade	Steel, alloy steel and other hard metal.
Cutting blade for rail cutting	Rail

### To examine a bonded abrasive cutting blade

- Make sure that there are no cracks or damages on the cutting blade.



## Diamond blades

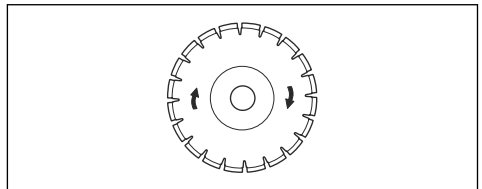


**WARNING:** Diamond blades become very hot when used. A diamond blade that is too hot gives bad performance, blade damage and is a safety risk.



**WARNING:** Do not use diamond blades to cut plastic material. The hot diamond blade can melt the plastic, which can cause a kickback.

- Diamond blades have a steel core with segments that are made of industrial diamonds.
- Diamond blades are used for masonry, reinforced concrete and stone.
- Make sure that the diamond blade rotates in the direction of the arrows shown on the diamond blade.



- Always use a sharp diamond blade.
- Diamond blades can become blunt if you use an incorrect feeding pressure or when you cut materials such as hard reinforced concrete. If you use a blunt diamond blade it becomes too hot, which can cause the diamond segments to come loose.

### To sharpen the cutting blade

**Note:** For the best cutting results, use a sharp cutting blade.

- To sharpen the cutting blade, cut into soft material, such as sandstone or brick.

## Diamond blades for wet cutting

- Diamond blades for wet cutting must be used with water.
- Water decreases the temperature of the cutting blade, increases its service life and decreases dust during operation.
- When wet cutting, collect the waste water safely.

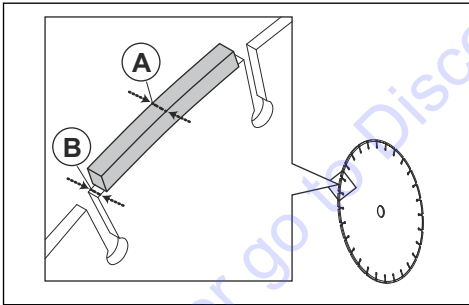
## Diamond blades for dry cutting

- For diamond blades for dry cutting it is necessary to have a sufficient airflow around the cutting blade to decrease the temperature. Because of this, diamond blades for dry cutting are recommended only for intermittent operation. After some seconds of operation, it is necessary to let the diamond blade rotate freely, away from the cut. This lets the airflow around the blade decrease the temperature of the diamond blade.

## Diamond blade - side clearance



**WARNING:** Certain cutting situations or poor blades can suffer excessive wear on the side of the segments. Make sure the diamond segment (A) is wider than the blade (B). This is to prevent pinching in the cutting slot and kickback. Refer to *Kickback on page 18*.



**CAUTION:** Some cutting situations and worn blades may cause increased wear on the side of the segments. Replace the blade before it is worn out.

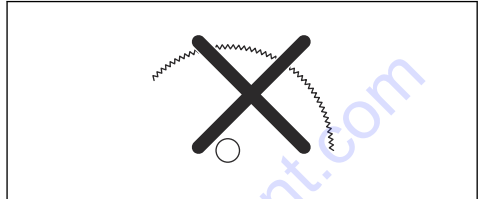
## Toothed blades



**WARNING:** Never use toothed blades such as wood cutting blades, circular toothed blades, carbide tipped blades, etc. The risk of kickback is significantly increased and tips can be torn off and thrown at high speed. Carelessness can result in serious personal injury or even death.



**WARNING:** Government regulation requires a different type of guarding for carbide tipped blades not available on power cutters – a 360 degree guard. Power Cutters (this saw) use diamond blades and have a different guarding system which does not provide protection against the dangers presented by wood cutting blades.



Use of this power cutter with a carbide tipped blade is a violation of work safety regulations.

Due to the hazardous nature and exigent circumstances involved with fire fighting and rescue operations conducted by the various highly trained public safety forces, safety professionals (fire departments), Husqvarna is aware that they may use this power cutter with carbide tipped blades in certain emergency situations due to the ability of carbide tipped blades to cut many different types of obstructions and materials in combination without having to take time to switch blades or machines. When using this power cutter be aware at all times that carbide tipped blades are more kickback prone than diamond blades if not used properly. Carbide tipped blades can also throw pieces of material away from the blade.

For these reasons, a power cutter equipped with a carbide tipped blade should never be used except by highly trained public safety professionals who are aware of the risks associated with its use and then only in those exigent circumstances when other tools are deemed inefficient and ineffective for fire or rescue operations. A power cutter equipped with a carbide tipped blade should never be used to cut wood in non-rescue operations.

## To examine the spindle shaft and the flange washers



**CAUTION:** Use only HUSQVARNA flange washers with a minimum diameter of 105 mm/4.1 in.

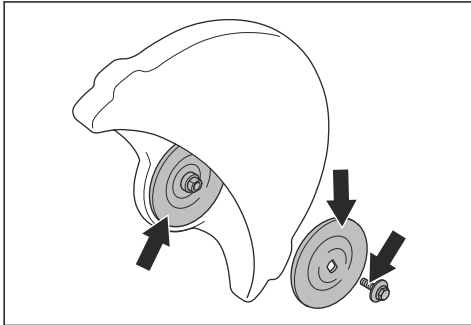


**WARNING:** Do not use defective, worn or dirty flange washers. Use only flange washers of the same dimension. Incorrect flange washers can cause the cutting blade to become damaged or come loose.



Examine the spindle shaft and the flange washers when you replace the cutting blade.

1. Make sure that the threads on the spindle shaft are not damaged. Replace damaged parts.

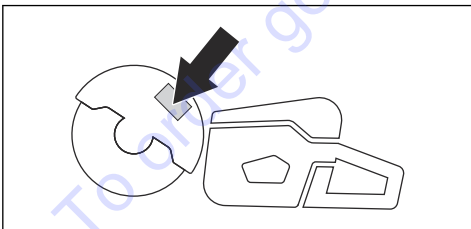


2. Make sure that the areas of contact on the cutting blade and the flange washers are not damaged. Replace damaged parts.
3. Make sure that the flange washers are clean and of the correct dimension.
4. Make sure that the flange washers move freely on the spindle shaft.

## To do a check of the arbor bushing

The arbor bushings are used to attach the product to the center hole of the cutting blade. The product is supplied with one of these two types of arbor bushings:

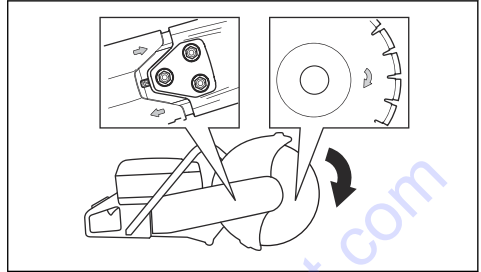
- An arbor bushing that can be turned to the other side and be applicable for 20 mm/0.79 in. or 25.4 mm/1 in. center holes.
- A 25.4 mm/1 in. arbor bushing.
- A decal on the blade guard shows installed arbor bushing and specification for applicable cutting blades.



- Make sure that the dimension of the center hole of the cutting blade agrees with the installed arbor bushing. The diameter of the center hole is printed on the cutting blade.
- Use only HUSQVARNA arbor bushings.

## To examine the direction of rotation of the cutting blade

1. Find the arrows on the rear belt guard that show the direction of rotation of the spindle shaft.



2. Find the arrow on the cutting blade that shows the direction of rotation of the cutting blade.
3. Make sure that the direction arrows of the cutting blade and the spindle shaft have the same direction.

## To install the cutting blade

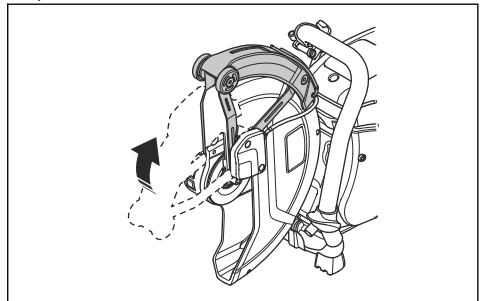


**WARNING:** Make sure that the engine is off and that the stop switch is in the STOP position.



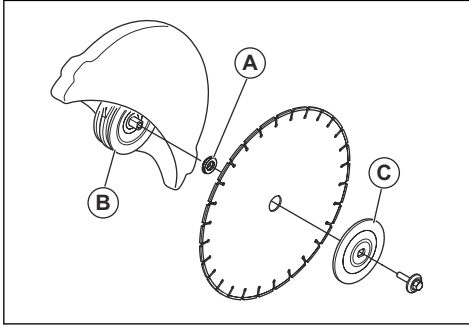
**WARNING:** Always use protective gloves when you assemble the product.

1. Examine the flange washers and the spindle shaft. Refer to *To examine the spindle shaft and the flange washers on page 15*.
2. Push back and hold the SmartGuard in the retracted position.

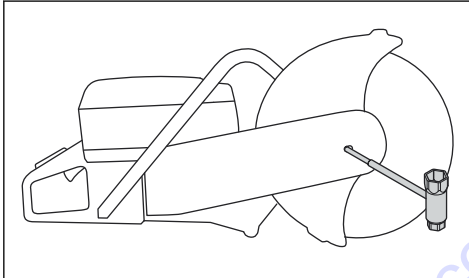


**Note:** This step only applies to K 970 SmartGuard.

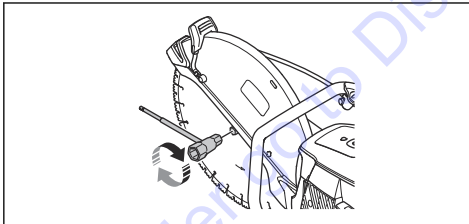
- Put the cutting blade on the arbor bushing (A) between the inner flange washer (B) and the flange washer (C). Turn the flange washer until it holds on to the shaft.



- Put a tool into the hole in the front belt guard and turn the cutting blade until the shaft is locked.



- Tighten the cutting blade bolt to 25 Nm/18.5 ft-lb.



### To reverse the cutting head (K 970 III, K 970 III Rescue)



**WARNING:** Only cut with the cutting head reversed if a standard procedure is not possible.

The product has a reversible cutting head that lets you cut near a wall or at ground level. Only cut with the cutting head reversed if a standard procedure is not possible. If a kickback occurs, it is more difficult to control the product if the cutting head is reversed. The distance between the cutting blade and the center of the product is longer, which means that the handle and the cutting blade do not align. This has a negative effect on

the balance in the product and it is more difficult to hold the product if the cutting blade is pinched or stalled in the kickback zone. Refer to *Kickback on page 18*.

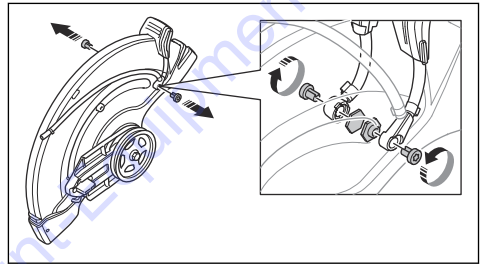


**WARNING:** Make sure that the engine is off and that the stop switch is in the STOP position.

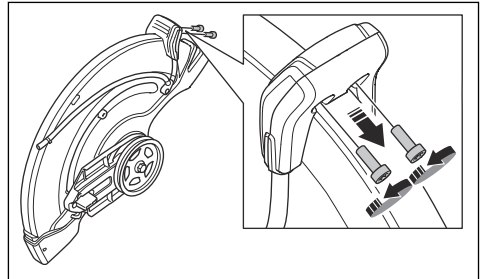


**WARNING:** Always use protective gloves when you assemble the product.

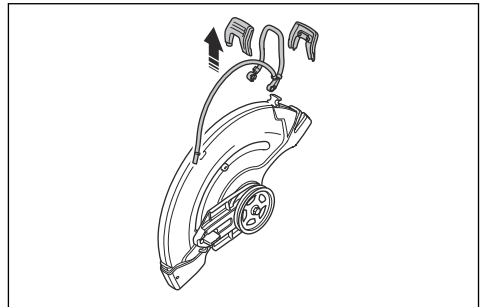
- Remove the cutting blade, the front belt cover and the cutting head. Refer to steps 1-5 in *To replace the drive belt on page 28*.
- Remove the 2 screws and nuts that hold the spray nozzle.



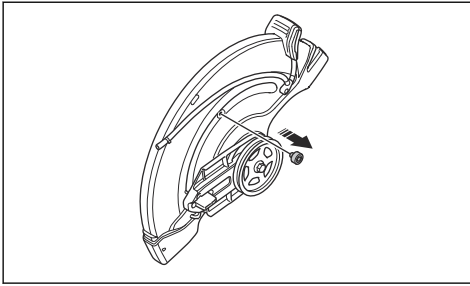
- Remove the 2 screws from the adjustment handle for the blade guard.



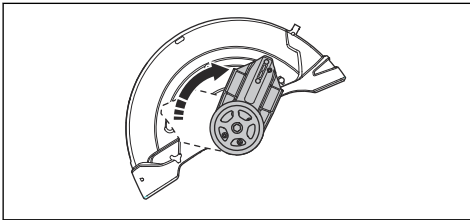
- Remove the adjustment handle for the blade guard



5. Remove the stop sleeve.

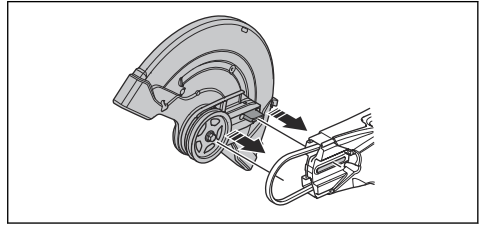


6. Move the bearing housing and install the stop sleeve.



7. Install the stop sleeve.

8. Install the drive belt on the opposite side.



9. Install the cutting head and the drive belt cover, refer to *To replace the drive belt on page 28*.

10. Install the spray nozzle and the cutting blade in the opposite sequence to how they were removed.

## Operation

### Introduction



**WARNING:** Read and understand the safety chapter before you use the product.

### Kickback



**WARNING:** Kickbacks are sudden and can be very violent. The power cutter can be thrown up and back towards the user in a rotating motion causing serious or even fatal injury. It is vital to understand what causes kickback and how to avoid it before using the product.

Kickback is the sudden upward motion that can occur if the blade is pinched or stalled in the kickback zone.

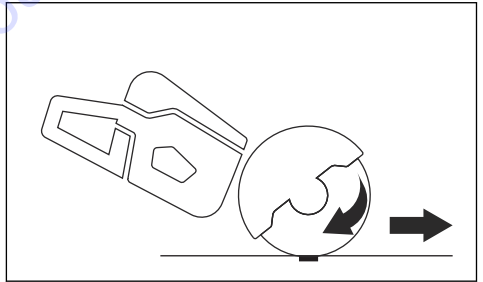
Most kickbacks are small and pose little danger.

However a kickback can also be very violent and throw the power cutter up and back towards the user in a rotating motion causing serious or even fatal injury.

### Reactive force

A reactive force is always present when cutting. The force pulls the product in the opposite direction to the blade rotation. Most of the time this force is insignificant. If the blade is pinched or stalled, the reactive force will

be strong and you might not be able to control the power cutter.

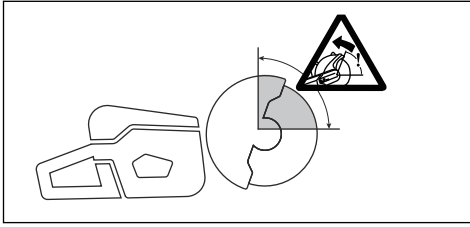


Never move the product when the cutting equipment is rotating. Gyroscopic forces can obstruct the intended movement

### Kickback zone

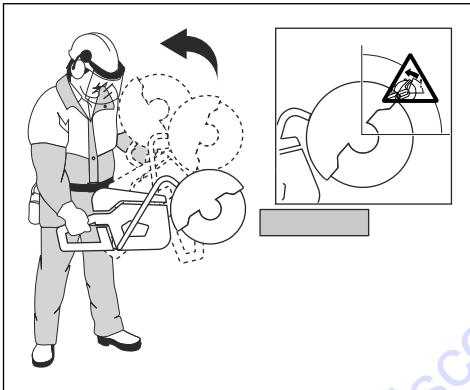
Never use the kickback zone of the blade for cutting. If the blade is pinched or stalled in the kickback zone, the reactive force will push the power cutter up and back

towards the user in a rotating motion causing serious or even fatal injury.



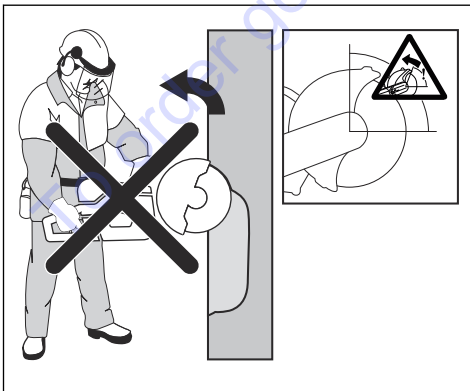
### Rotational kickback

A rotational kickback occurs when the cutting blade does not move freely in the kickback zone.



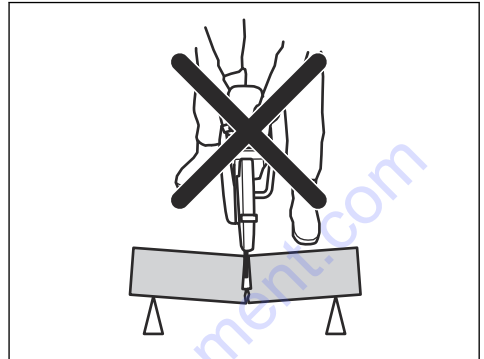
### Climbing kickback

If the kickback zone is used for cutting, the reactive force drives the blade to climb up in the cut. Do not use the kickback zone. Use the lower quadrant of the blade to avoid climbing kickback.



### Pinching kickback

Pinching is when the cut closes and pinches the blade. If the blade is pinched or stalled the reactive force will be strong and you might not be able to control the power cutter.



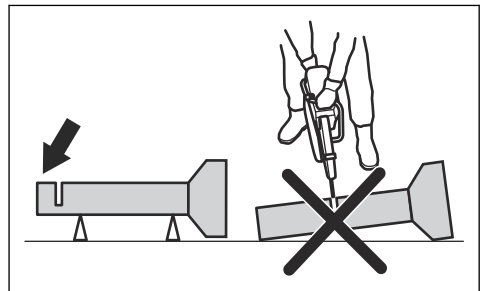
If the blade is pinched or stalled in the kickback zone, the reactive force will push the power cutter up and back towards the user in a rotating motion causing serious or even fatal injury. Be alert for potential movement of the work piece. If the work piece is not properly supported and shifts as you cut, it might pinch the blade and cause a kick back.

### Pipe cutting

Special care should be taken when cutting in pipes. If the pipe is not properly supported and the cut kept open throughout the cutting, the blade might be pinched. Be especially alert when cutting a pipe with a belled end or a pipe in a trench that, if not properly supported, may sag and pinch the blade.

If the pipe is allowed to sag and close the cut, the blade will be pinched in the kick back zone and a severe kick back might develop. If the pipe is properly supported, the end of the pipe will move downward, the cut will open and no pinching will occur.

Secure the pipe so it does not move or roll during cutting. Make sure that the cut opens to avoid pinching the blade.



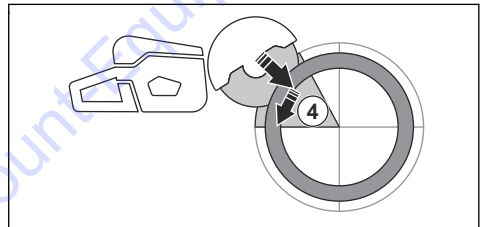
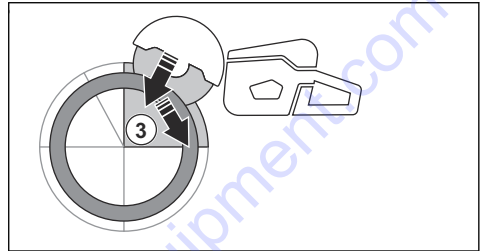
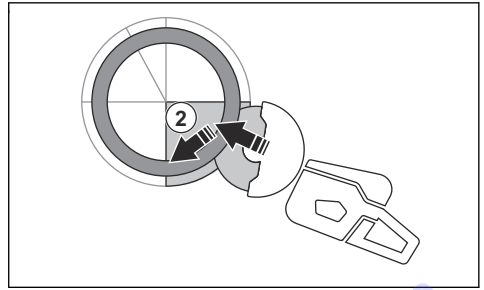
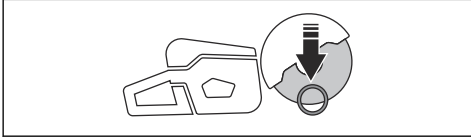
### To cut in smaller pipes



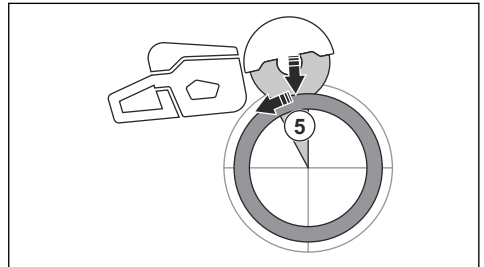
**WARNING:** If the blade is pinched in the kickback zone, it will cause a severe kickback.

If the pipe is smaller than the maximum cutting depth of the product, the cutting operation can be done in 1 step from top to bottom.

- Cut the pipe from top to bottom.



- Make the final separating cut from the top of the pipe pulling backwards, without involving the upper quadrant of the blade. Adjust the blade guard to full forward position for maximum protection.



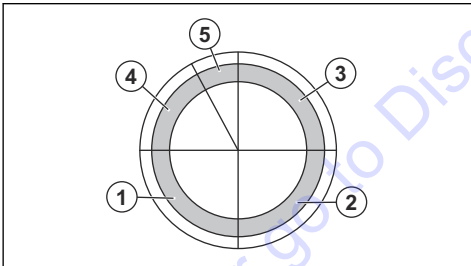
### To cut in larger pipes



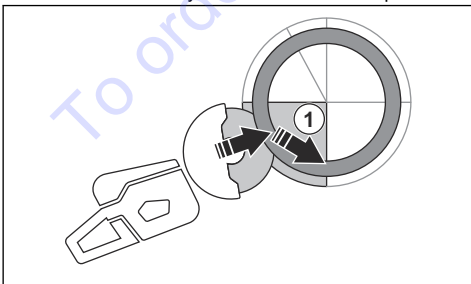
**WARNING:** If the blade is pinched in the kickback zone it will cause a severe kickback.

If the pipe is larger than the maximum cutting depth of the product, and can not be rolled, the cutting operation needs to be divided in 5 steps.

- Divide the pipe into 5 sections. Do a mark of those sections and of a cutting line. Cut a shallow guide groove around the pipe.



- Cut those sections in 5 steps with the cutting directions shown by the arrows in each step.



**WARNING:** If the pipe is properly supported, it should not pinch the blade when separated in section 5. However be alert if the blade is pinched during the final separation. If the blade is pinched in the lower section, the product may pull forward away from the operator, rather than resulting in a rotating kickback.

## To prevent a kickback



**WARNING:** Avoid situations where there is a risk of kickback. Take care when using your power cutter and make sure that the blade is never pinched in the kickback zone.



**WARNING:** Be careful when you put the blade in an existing cut.

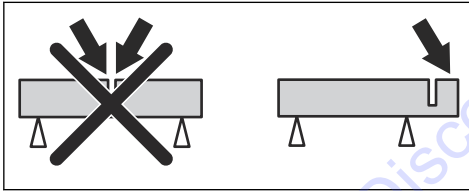


**WARNING:** Make sure that the work piece cannot move during a cutting operation.



**WARNING:** Only you and proper working technique can eliminate kickback and its dangers.

- Always support the work of piece so that the cut can keep open when cutting through. When the cut is open there is no kickback. If the cut is closed and pinches the blade, there is a risk of kickback.



## Basic working techniques



**WARNING:** Do not pull the product to one side. This can prevent the free movement of the cutting blade. The cutting blade can break and cause injury to the operator or bystanders.



**WARNING:** Do not grind with the side of the cutting blade. The cutting blade can break and cause injury to the operator or bystanders. Only use the cutting edge.



**WARNING:** Make sure that the cutting blade is installed correctly and does not show signs of damage.

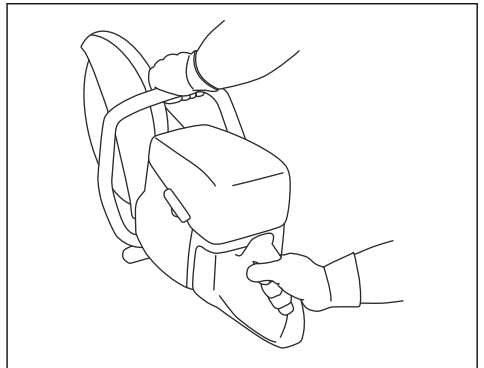


**WARNING:** Before cutting in an existing cut made by a different blade, make a sure that the slot is not thinner than your blade as that can result in binding in the cutting slot and a kickback.

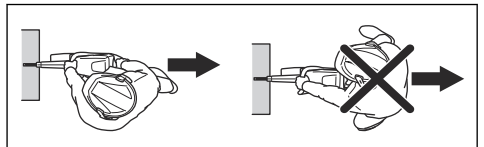


**WARNING:** Cutting metal generates sparks that can cause fire. Do not use the product near flammable material or gases.

- The product is made to cut with bonded abrasive cutting blades or diamond blades made for high speed handheld product. The product must not be used with other types of blade, or for other types of operation.
- Do a check that the correct cutting blade is used for the material to be cut. Refer to *Applicable cutting blades on page 13* for instructions.
- Do not cut asbestos materials.
- Keep a safe distance from the cutting blade when the engine is on. Do not try to stop a rotating blade with a part of your body. To touch a rotating blade, although the engine is off, can result in serious injury or death.
- The cutting blade continues to rotate for a while after the throttle trigger is released. Make sure that the cutting blade has stopped before the product is moved or put down. If it is necessary to stop the cutting blade quickly, let the cutting blade lightly touch a hard surface.
- Do not move the product with the engine on.
- Hold the product with 2 hands. Hold the product tightly with thumbs and fingers fully around the plastic handles with insulation. The right hand must be on the rear handle and the left hand on the front handle. All operators must use this hold. Do not operate a power cutter with only 1 hand.



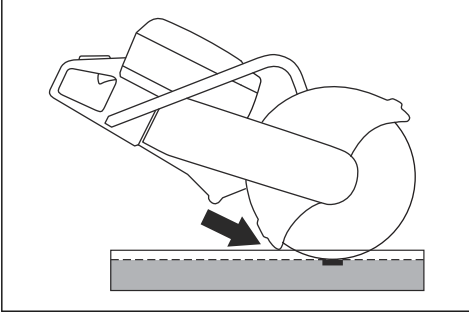
- Stand parallel to the cutting blade. Avoid standing straight behind. If a kickback occur, the saw will move in the plane of the cutting blade.



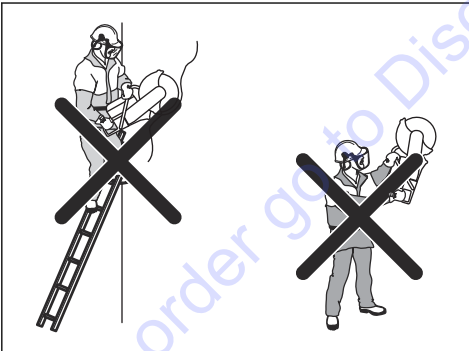
- Do not go away from the product with the engine on. Before you go away from the product, stop the

engine and make sure that there is no risk of accidental start.

- Use the adjustment handle of the blade guard to adjust the rear section of the guard flush with the work piece. Spatter and sparks from the cut material are then collected up by the guard and led away from the operator. The guards for the cutting equipment must always be installed when the product is on.

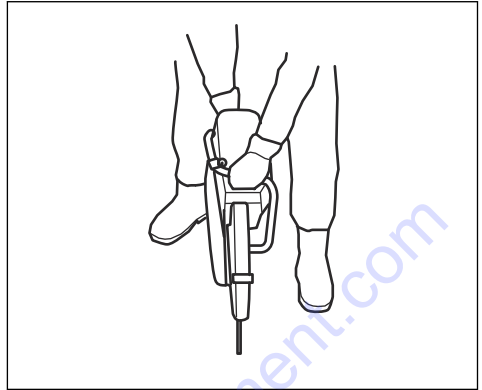


- Do not use the kickback zone of the blade for cutting. Refer to *Kickback zone* on page 18 for instructions.
- Do not operate the product before the work area is clear and your feet and body are in a stable position.
- Do not cut above shoulder height.
- Do not cut from a ladder. Use a platform or scaffold if the cut is above shoulder height. Do not overreach.

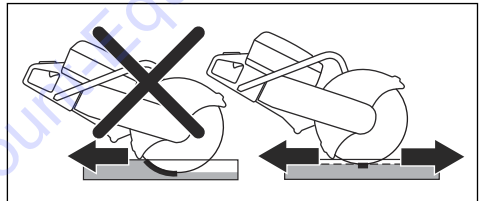


- Stay at a comfortable distance from the work piece.
- Make sure that the cutting blade can move freely when the engine is started.
- Apply the cutting blade carefully with high rotating speed (full throttle). Keep full speed until cutting is complete.
- Let the product do the work. Do not push the cutting blade.

- Feed the product down in line with the blade. Pressure from the side can cause damage to the blade and is very dangerous.



- Move the blade slowly forward and rearward to get a small contact area between the blade and the material to be cut. This decreases the temperature of the blade and is an effective way to cut.



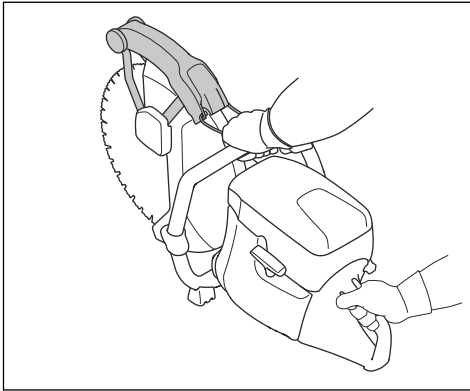
### Basic working techniques with K 970 SmartGuard



**WARNING:** The SmartGuard function is disengaged if the SmartGuard is manually retracted. Only retract the SmartGuard manually if you must and there are no risks of kickback.

SmartGuard gives more coverage of the blade. This decreases the risk that you touch the blade if a kickback occurs.

- You can retract the SmartGuard manually with the SmartGuard handle.
- Hold the SmartGuard handle with a left hand finger while the remaining fingers hold the front handle at the same time.



### To decrease dust during operation

The product has a wet cutting kit to decrease harmful dust in the air during operation. The wet cutting kit has low water consumption.

- When possible, use wet cutting blades with water cooling. Refer to *Cutting blades on page 13*.
- Adjust the water flow with the valve. The correct flow is different for different types of tasks.
- Make sure that the water pressure is correct. Refer to *Technical data on page 35*. If the water hose comes off at the supply source, the supplied water pressure can be too high.

### Fuel

This product has a two-stroke engine.



**CAUTION:** Incorrect type of fuel can result in engine damage. Use a mixture of gasoline and two-stroke oil.

### Two-stroke oil

- For best results and performance use HUSQVARNA two-stroke oil.
- If HUSQVARNA two-stroke oil is not available, use a two-stroke oil of good quality for air-cooled engines. Speak to your servicing dealer to select the correct oil.



**CAUTION:** Do not use two-stroke oil for water-cooled outboard engines, also referred to as outboard oil. Do not use oil for four-stroke engines.

### Premixed fuel

- Use HUSQVARNA premixed alkylate fuel for best performance and extension of the engine life. This fuel contains less harmful chemicals compared to regular fuel, which decreases harmful exhaust fumes. The quantity of remains after combustion is

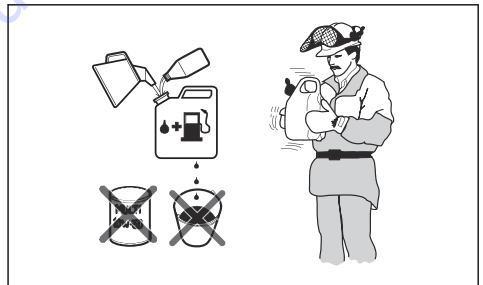
lower with this fuel, which keeps the components of the engine more clean.

### To mix gasoline and two-stroke oil

Gasoline, liter	Two-stroke oil, liter
	<b>2% (50:1)</b>
5	0.10
10	0.20
15	0.30
20	0.40
US gallon	US fl. oz.
1	2 ½
2 1/2	6 ½
5	12 ¾



**CAUTION:** Small errors can influence the ratio of the mixture drastically when you mix small quantities of fuel. Measure the quantity of oil carefully and make sure that you get the correct mixture.



1. Fill half the quantity of gasoline in a clean container for fuel.
2. Add the full quantity of oil.
3. Shake the fuel mixture.
4. Add the remaining quantity of gasoline to the container.
5. Carefully shake the fuel mixture.



**CAUTION:** Do not mix fuel for more than 1 month at a time.



## To fill fuel



**CAUTION:** Do not use gasoline with an octane number less than 90 RON (87 AKI). It causes damage to the product.

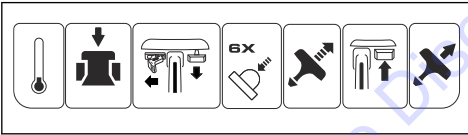


**CAUTION:** Do not use gasoline with more than 10% ethanol concentration (E10). It causes damage to the product.

**Note:** Carburetor adjustment is in some conditions necessary when you change the type of fuel.

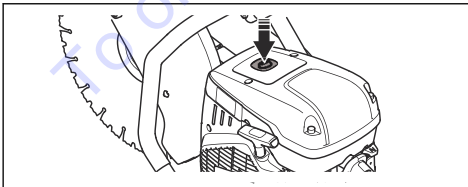
- Use gasoline with a higher octane number if you frequently use the product at continuously high engine speed.
1. Open the fuel tank cap slowly to release the pressure.
  2. Fill slowly with a fuel can. If you spill fuel, remove it with a cloth and let the remaining fuel dry off.
  3. Clean the area around the fuel tank cap.
  4. Tighten the fuel tank cap fully. If the fuel tank cap is not tightened, there is a risk of fire.
  5. Move the product a minimum of 3 m (10 ft) from the position where you filled the tank before a start.

## To start the product with a cold engine

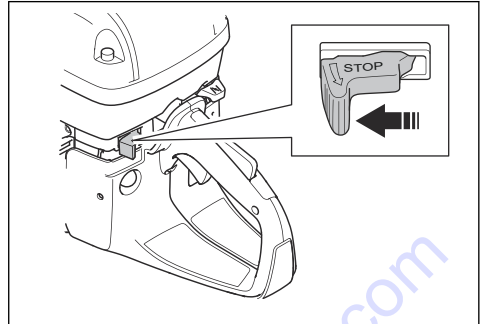


**WARNING:** Make sure that the cutting blade can rotate freely. It starts to rotate when the engine starts.

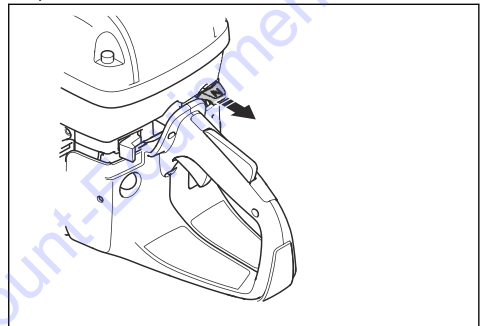
1. Push the decompression valve to decrease the pressure in the cylinder. The decompression valve goes back to its initial position when the product starts.



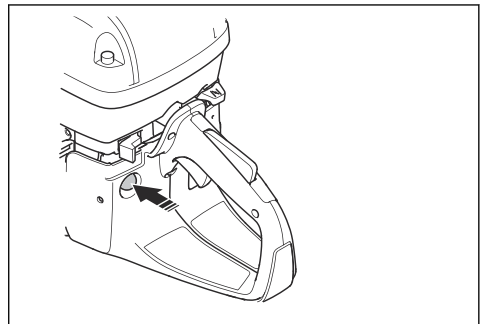
2. Make sure that the STOP switch is in the left position.



3. Pull the choke control fully to get the start throttle position.



4. Push the air purge bulb 6 times until it is fully filled with fuel.

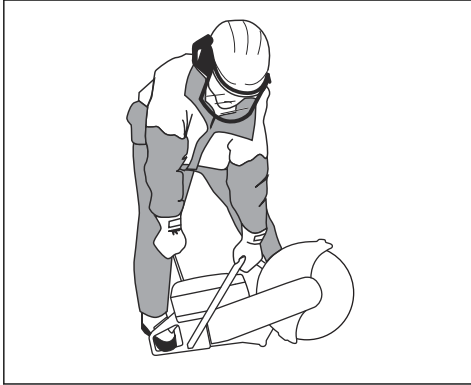


5. Hold the front handle with your left hand.
6. Put your right foot on the lower section of the rear handle to push the product against the ground.



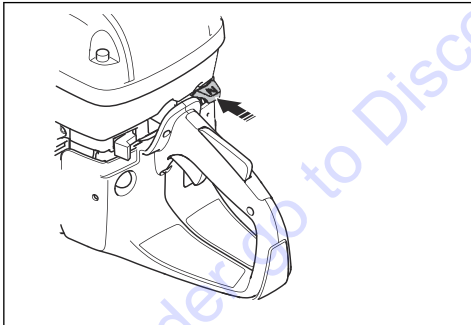
**WARNING:** Do not wind the starter rope around your hand.

- Pull the starter rope slowly with your right hand until you feel a resistance as the starter pawls engage. Then pull continuously and quickly.

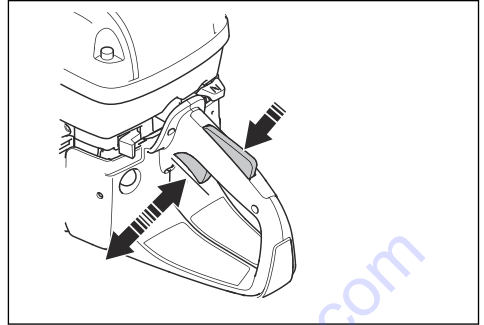


**CAUTION:** Do not pull the starter rope fully and do not let go of the starter rope handle when the starter rope is extended. This can cause damage to the product.

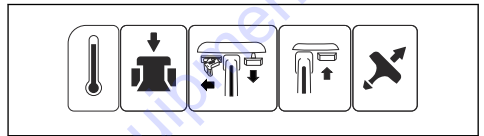
- Push the choke control when the engine starts. If the choke is pulled out, the engine will stop after some seconds. If the engine stops, pull the starter rope handle again.



- Push the throttle trigger to disengage the start throttle and set the product at idle speed.

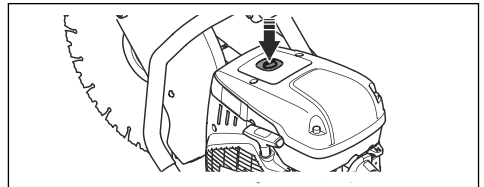


**To start the product with a warm engine**

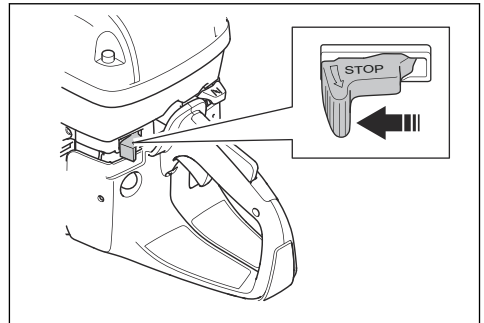


**WARNING:** Make sure that the cutting blade can rotate freely. It starts to rotate when the engine starts.

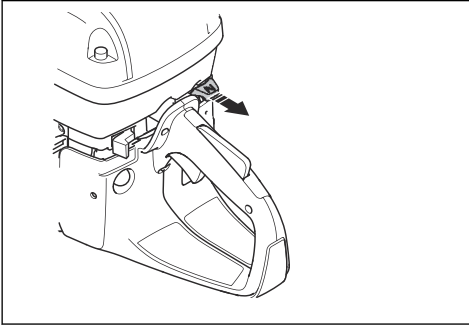
- Push the decompression valve to decrease the pressure in the cylinder. The decompression valve goes back to its initial position when the product starts.



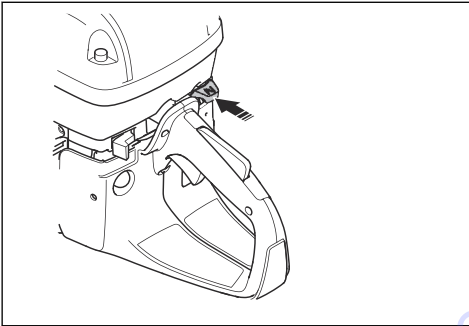
- Make sure that the STOP switch is in the left position.



3. Pull the choke control fully to get the start throttle position.



4. Push the choke control to disable the choke. The start throttle stays in position.



5. Hold the front handle with your left hand.
6. Put your right foot on the lower section of the rear handle to push the product against the ground.



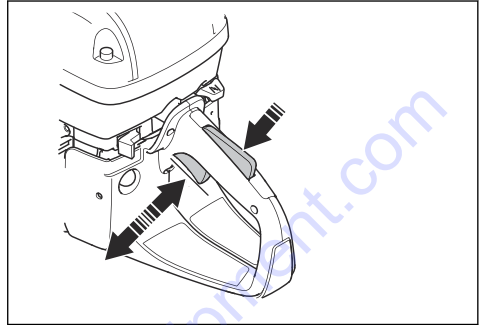
**WARNING:** Do not wind the starter rope around your hand.

7. Pull the starter rope slowly until you feel a resistance as the starter pawls engage. Then pull continuously and quickly.



**CAUTION:** Do not pull the starter rope fully and do not let go of the starter rope handle when the starter rope is extended. This can cause damage to the product.

8. Push the throttle trigger to disengage the start throttle and set the product at idle speed.

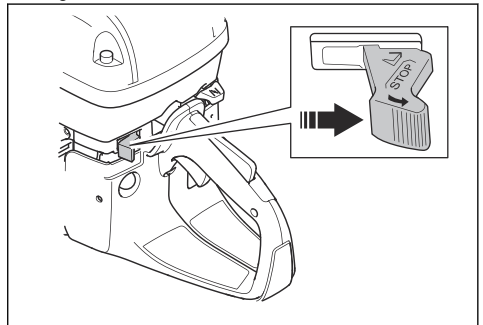


### To stop the product



**WARNING:** The cutting blade continues to rotate for a while after the engine stops. Make sure that the cutting blade can rotate freely until it fully stops. If it is necessary to stop the cutting blade quickly, let the cutting blade lightly touch a hard surface. Risk of serious injury.

- Move the STOP switch to the right to stop the engine.



# Maintenance

## Introduction



**WARNING:** Read and understand the safety chapter before you do maintenance on the product.

For all servicing and repair work on the product, special training is necessary. We guarantee that professional repairs and servicing is available. If your dealer is not a

service agent, speak to them for information about the nearest service agent.

For spare parts, speak to your HUSQVARNA dealer or service agent.

## Maintenance schedule

The maintenance schedule shows the necessary maintenance of the product. The intervals are calculated on daily use of the product.

	Daily	Weekly	Monthly	Yearly
<b>Clean</b>	External cleaning		Spark plug	
	Cold air intake		Fuel tank	
<b>Function inspection</b>	General inspection	Vibration damping system*	Fuel system	
	Fuel leaks	Muffler*	Air filter	
	Water delivery system	Drive belt	Clutch	
	Throttle lockout*	Carburetor		
	Stop switch*	Starter housing		
	Blade guard and SmartGuard*			
	Cutting blade**			
<b>Replace</b>				Fuel filter

\* Refer to *Safety devices on the product on page 10.*

\*\* Refer to *Cutting blades on page 13.*

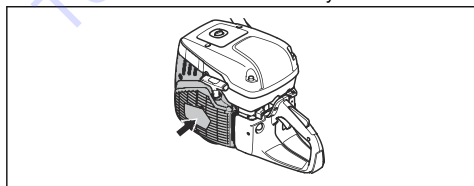
## To clean externally

- Flush the product externally with clean water after each day of operation. If it is necessary, use a brush.

## To clean the air intake

**Note:** A dirty or blocked air intake makes the product too hot. This can cause damage to the piston and cylinder.

- Clean the air intake if it is necessary.



- Remove blockage, dirt and dust with a brush.

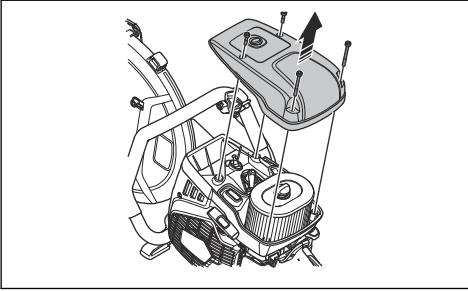
## To examine the spark plug



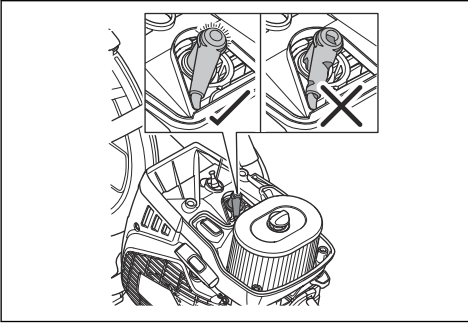
**CAUTION:** Always use the recommended spark plug type. Use of the incorrect spark plug can cause damage to the piston and cylinder. For recommended spark plug refer to *Technical data on page 35.*

Examine the spark plug if the product is low on power, does not start easily or if it operates unsatisfactorily at idle speed.

1. Loosen the 4 screws and remove the air filter cover.

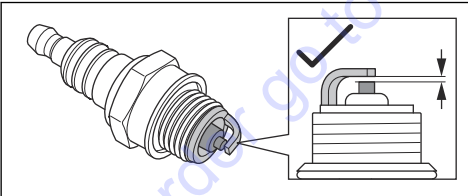


2. Make sure that the spark plug cap and ignition cable are not damaged.

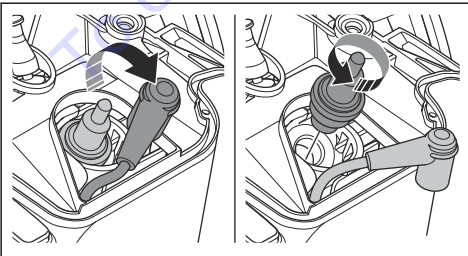


**WARNING:** A damaged spark plug cap and ignition cable can cause electrical shock.

3. Clean the spark plug if it is dirty.
4. Make sure that the electrode gap is 0.5 mm.



5. If it is necessary, replace the spark plug.



## To do a general inspection

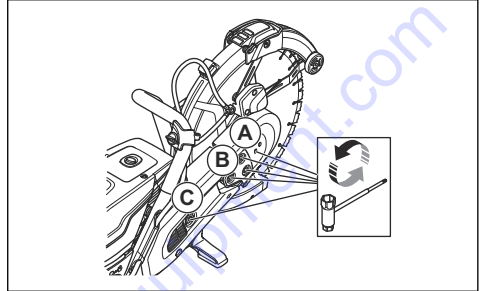
- Make sure that all nuts and screws on the product are tightened correctly.

## To replace the drive belt



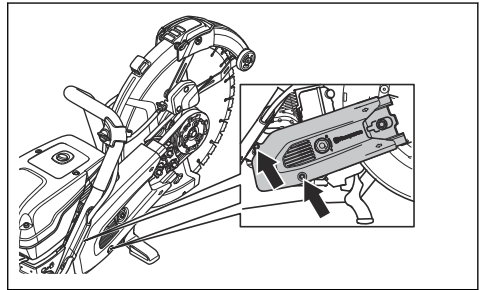
**WARNING:** Do not start the product without all guards and covers installed.

1. Loosen the screw (A).

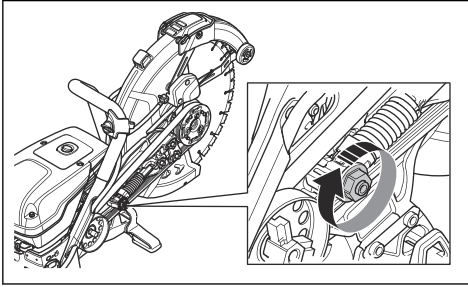


**Note:** This step only applies to K 970 III 400mm/16in...

2. Loosen the 3 nuts on the cutting head (B) and turn the belt tensioner (C) to the position "0".
3. Remove the front belt guard.
4. Remove the 2 screws on the rear belt guard. Remove the rear belt guard.



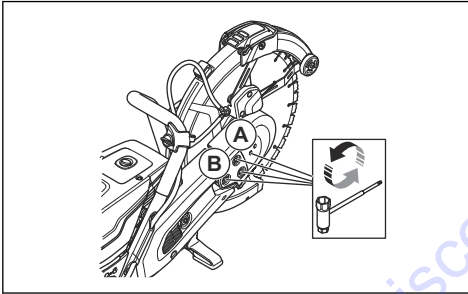
- Replace the drive belt. Turn the belt tensioner to the position "1".



- Install the 2 belt guards in opposite sequence.
- Adjust the tension on the drive belt. Refer to *To adjust the tension of the drive belt* on page 29.

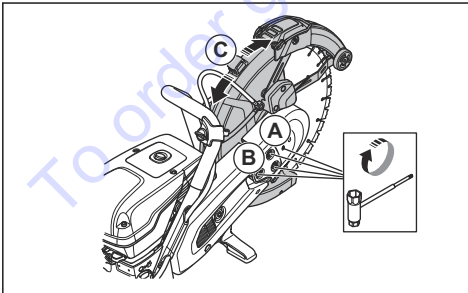
### To adjust the tension of the drive belt

- Loosen the screw (A).



**Note:** This step only applies to K 970 III 400mm/16in..

- Loosen the 3 nuts (B).
- Move the blade guard (C) up and down 3–5 times. Tighten the 3 nuts (B).



- Tighten the screw (A).

**Note:** This step only applies to K 970 III 400mm/16in..

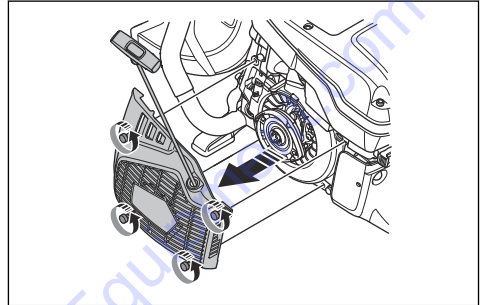
### Starter housing



**WARNING:** Always be careful and always use eye protection when you replace the recoil spring or the starter rope. There is tension in the recoil spring when it is wound in the starter housing. The recoil spring can eject and cause injury.

### To remove the starter housing

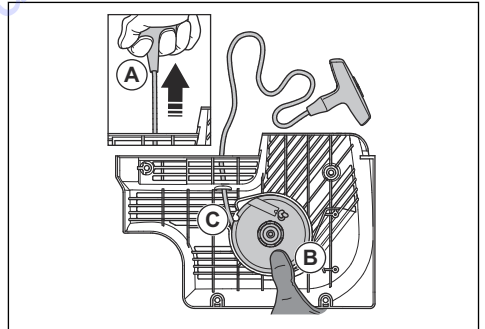
- Loosen the 4 screws on the starter housing.



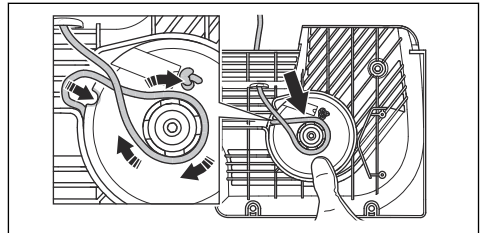
- Remove the starter housing.

### To replace a damaged starter rope

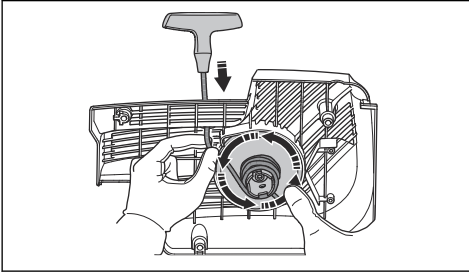
- Pull out the starter rope approximately 30 cm (A).



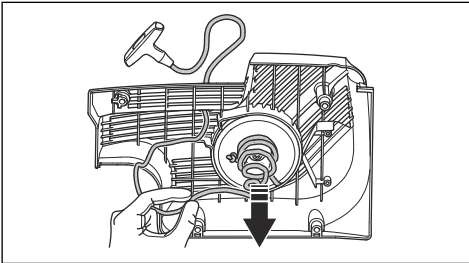
- Hold the starter rope pulley (B) with your thumb.
- Put the starter rope in the notch (C) in the starter pulley.
- Put the starter rope around the metal sleeve.



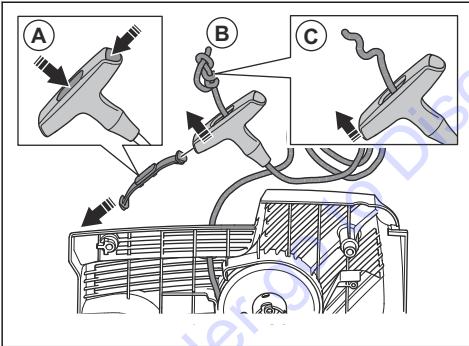
5. Let the starter pulley rotate slowly and the starter rope wind up on the metal sleeve.



6. Pull the starter rope to release it from the metal sleeve.



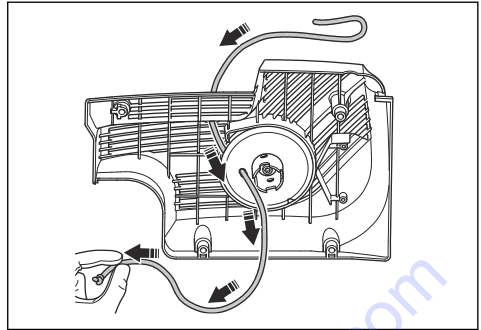
7. Remove the cover on the starter rope handle (A).



8. Pull the starter rope up through the handle (B).

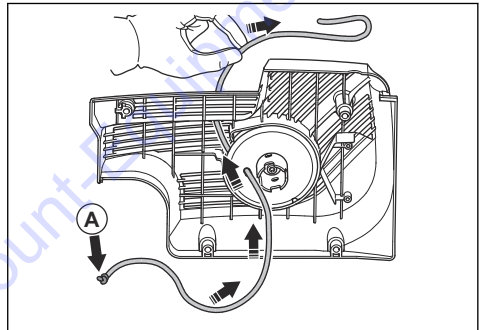
9. Release the knot (C).

10. Remove the starter rope.

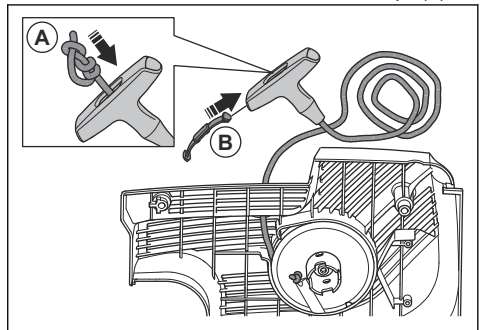


11. Make sure that the recoil spring is clean and not damaged.

12. Put a new starter rope (A) in the hole in the starter housing.



13. Pull the starter rope through the starter rope handle and make a knot at the end of the starter rope (A).

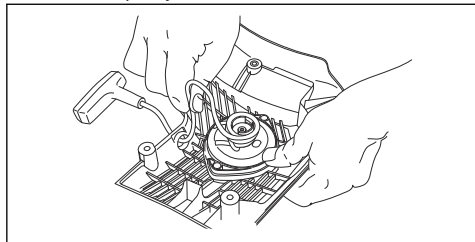


14. Attach the cover on the starter rope handle (B).

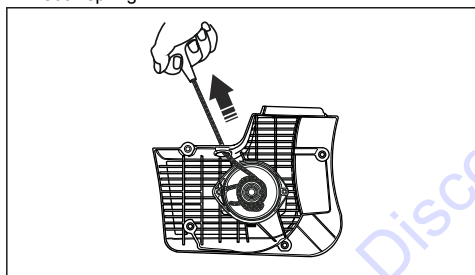
15. Adjust the tension of the recoil spring. Refer to *To adjust the tension of the recoil spring on page 31.*

## To adjust the tension of the recoil spring

1. Put the rope through the cut-out in the starter pulley. Wind the rope 3 turns clockwise around the center of the starter pulley.



2. Pull the starter knob to adjust the tension of the recoil spring.
3. Put the rope through the cut-out in the starter pulley. Wind the rope 4 turns clockwise around the center of the starter pulley.
4. Pull the starter knob to adjust the tension of the recoil spring.



**Note:** The starter knob moves into position after the tension is adjusted.

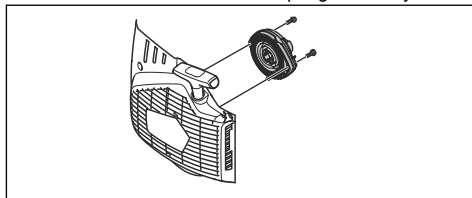
5. Pull out the starter rope fully and make sure that the recoil spring is not at its end position. Make the starter pulley turn slow with your thumb.
6. Make sure that the starter pulley can be turned half a turn or more before the recoil spring stops the movements.

## To remove the spring assembly



**WARNING:** Always use eye protection when you remove the spring assembly. There is a risk for eye injury, especially if a spring is broken.

1. Remove the 2 screws on the spring assembly.



2. Push the 2 brackets on the snap locks with a screwdriver.

## To clean the spring assembly



**CAUTION:** Do not remove the spring from the assembly.

1. Blow the spring with compressed air until it is clean.
2. Apply a light oil to the spring.

## To attach the spring assembly

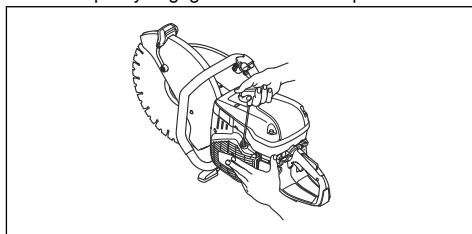
- Assemble in the opposite sequence of *To remove the spring assembly on page 31*.

## To install the starter housing



**CAUTION:** The starter pawls must come into the correct position against the starter pulley sleeve.

1. Put the starter housing against the product.
2. Pull out and release the starter rope slowly until the starter pulley engages with the starter pawls.



3. Tighten the 4 screws on the starter housing.

## To examine the carburetor

**Note:** The carburetor has rigid needles to make sure that the product always receives the correct mixture of fuel and air.

1. Examine the air filter. Refer to *To examine the air filter on page 32*
2. If it is necessary, replace the air filter.
3. If the engine continues to decrease in power or speed, speak to Discount-equipment.



## To examine the fuel system

1. Make sure that the fuel tank cap and its seal are not damaged.
2. Examine the fuel hose. Replace the fuel hose if it is damaged.

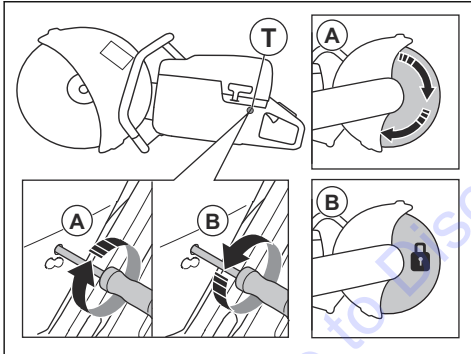
## To adjust the idle speed



**WARNING:** If the cutting blade rotates at idle speed, speak to your servicing dealer. Do not use the product until the idle speed is correctly adjusted or repaired.

**Note:** For recommended idle speed refer to *Technical data on page 35*.

1. Start the engine.
2. Examine the idle speed. When the carburetor is correctly adjusted, the cutting blade stops when the engine is at idle speed.
3. Use the T screw to adjust the idle speed.



- a) Turn the screw clockwise until the blade starts to rotate (A).
- b) Turn the screw counterclockwise until the blade stops to rotate (B).

## Fuel filter

The fuel filter is installed in the fuel tank. The fuel filter prevents contamination of the fuel tank when the fuel tank is filled. The fuel filter must be replaced yearly or more frequently if it is clogged.



**CAUTION:** Do not clean the fuel filter.

## To examine the air filter

**Note:** Examine the air filter only if the engine power decreases.

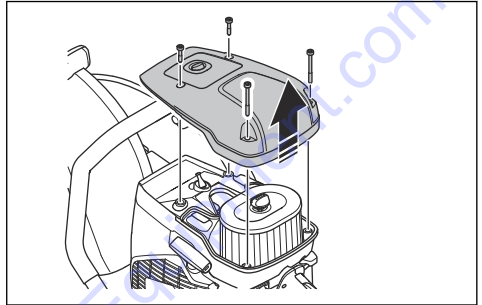


**CAUTION:** Be careful when you remove the air filter. Particles that fall into the carburetor inlet can cause damage.

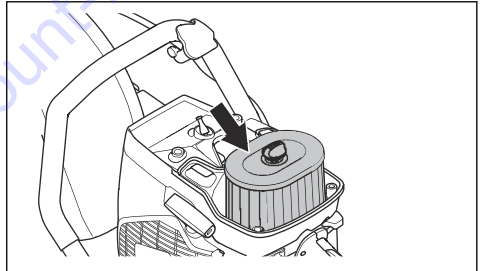


**WARNING:** Use approved respiratory protection when you replace the air filter. The dust in the air filter is dangerous to your health. Discard used air filters correctly.

1. Loosen the 4 screws on the air filter cover.
2. Remove the air filter cover.



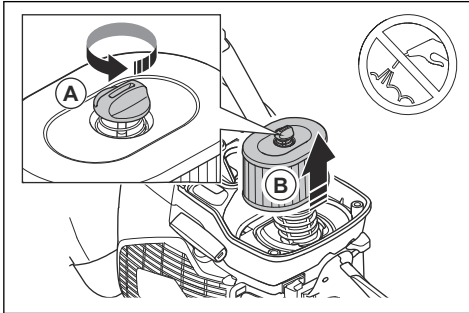
3. Examine the air filter and replace it if it is necessary.



**CAUTION:** Do not clean the air filter or blow compressed air on it. This will do damage to the air filter.

4. Replace the air filter if it is necessary.

- a) Loosen the screw (A) and remove the air filter (B).



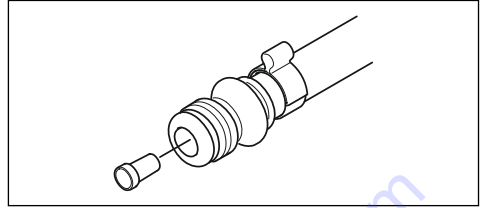
- b) Install the air filter.

5. Attach the air filter cover and tighten the 4 screws.

## To do a check of the water supply system

1. Examine the nozzles on the blade guard and make sure that they are not clogged.

2. Clean as necessary.  
3. Examine the filter on the water connector. Make sure that it is not clogged.  
4. Clean as necessary.



5. Examine the hoses and make sure that they are not damaged.

## Troubleshooting

Problem	Cause	Possible solutions
The product does not start.	The start procedure is done incorrectly.	Refer to <i>To start the product with a cold engine on page 24</i> and <i>To start the product with a warm engine on page 25</i> .
	The stop switch in the right (STOP) position.	Make sure that the stop switch (STOP) is in the left position.
	There is no fuel in the fuel tank.	Fill with fuel.
	The spark plug is defective.	Replace the spark plug.
	The clutch is defective.	Speak to your service agent.
The cutting blade rotates at idle speed.	The idle speed is too high.	Adjust the idle speed.
	The clutch is defective.	Speak to your service agent.
The cutting blade does not rotate when the operator throttles up.	The belt is too loose or defective.	Tighten the belt or replace the belt with a new one.
	The clutch is defective.	Speak to your service agent.
	The cutting blade is installed incorrectly.	Make sure that the cutting blade is correctly installed.
The product has no power when the operator tries to throttle up.	The air filter is clogged.	Examine the air filter. If it is necessary, replace it.
	The fuel filter is clogged.	Replace the fuel filter.
	The fuel tank flow is blocked.	Speak to your service agent.

Problem	Cause	Possible solutions
The vibration levels are too high.	The cutting blade is installed incorrectly.	Make sure that the cutting blade is correctly installed and that it is not damaged. Refer to <i>To install the cutting blade on page 16</i> .
	The cutting blade is defective.	Replace the cutting blade and make sure that it is not damaged.
	A vibration damping unit is defective.	Speak to your service agent.
The temperature of the product is too high.	The air intake or the cylinder flanges are blocked.	Clean the air intake and the cylinder flanges.
	The drive belt tension is not sufficient.	Examine the belt. Adjust the tension.
	The clutch is defective.	Always cut at full throttle.
Examine the clutch. Speak to your service agent.		
The engine decreases in power or in speed.	The air filter is clogged.	Examine the air filter. Refer to <i>To examine the air filter on page 32</i> .
There is much dust during operation. You can see dust in the air.	The water supply or water pressure is not sufficient.	Do a check of the water supply to the product.
		Refer to <i>To do a check of the water supply system on page 33</i> .
The SmartGuard does not move freely.	The moving parts of the SmartGuard are clogged.	Clean the moving parts.
The SmartGuard does not retract when the product is removed away from the work piece.	The springs of the SmartGuard does not operate correctly.	Do a check of the springs. Clean the springs.

## Transportation, storage and disposal

### Transportation and storage

- Safely attach the product during transportation to prevent damage and accidents.
- Remove the cutting blade before transportation or storage of the product.
- Keep the product in a locked area to prevent access for children or persons that are not approved.
- Keep the cutting blades in dry, frost free conditions.
- Examine all new and used blades for transport and storage damage before assembly.
- Clean and maintain the product before storage. Refer to *Maintenance schedule on page 27*.
- Remove the fuel from the fuel tank before long-term storage.

## Technical data

### Technical data

	K 970 III, K 970 III Res-cue	K 970 SmartGuard
Cylinder displacement, cu.in./cm <sup>3</sup>	5.7/93.6	5.7/93.6
Cylinder bore, in./mm	2.2/56	2.2/56
Travel length, in./mm	1.5/38	1.5/38
Idle speed, rpm	2700	2700
Fully opened throttle, no load, rpm	9300 (+/- 150)	9300 (+/- 150)
Power, hp/kW @rpm	6.5/4.8 @9000	6.5/4.8 @9000
Spark plug	NGK BPMR 7A	NGK BPMR 7A
Electrode gap, in./mm	0.02/0.5	0.02/0.5
Fuel tank capacity, US fl oz/liters	33.8/1	33.8/1
Recommended water pressure, PSI/bar	7-150/0.5-10	7-150/0.5-10
<b>Weight</b>		
Power cutter without fuel and cutting blade 14in. (350mm), lb/kg*	24.3/11.0	26.2/11.9
*Rescue carry strap, additional 0.9lb/0.4kg.		
Power cutter without fuel and cutting blade 16in. (400mm), lb/kg	24.6/11.6	28.0/12.7
<b>Spindle, output shaft</b>		
Max. spindle speed with cutting blade 14in. (350mm), rpm	4700	4700
Max. spindle speed with cutting blade 16in. (400mm), rpm	4300	4300
Max. peripheral speed, ft/min or m/s	18000 or 90	18000 or 90

### Recommended cutting blade dimensions

Cutting blade diameter, in./mm	Max. cutting depth, in./mm	Blade speed rating, rpm	Blade speed rating, ft/min or m/s	Blade center hole diameter, in./mm	Max. blade thickness, in./mm
14/350	5/125	5500	19600 or 100	1/25.4 or 0.79/20	0.2/5
16/400	6/155	4775	19600 or 100	1/25.4 or 0.79/20	0.2/5

---

## Contenido

---

Introducción.....	38	Solución de problemas.....	72
Seguridad.....	43	Transporte, almacenamiento y eliminación de residuos.....	73
Montaje.....	49	Datos técnicos.....	73
Funcionamiento.....	55	Garantía.....	75
Mantenimiento.....	64		

---

## Introducción

---

### Responsabilidad del propietario

---



**ADVERTENCIA:** El procesamiento de hormigón y piedra mediante métodos como corte, amolado o perforación, especialmente en operaciones en seco, genera polvo que proviene del material procesado y a menudo contiene sílice. La sílice es un componente básico de la arena, el cuarzo, la arcilla de los ladrillos, el granito y otros numerosos minerales y rocas. La exposición a una cantidad excesiva de ese polvo puede causar:

Producto de la exposición a la sílice se pueden ocasionar enfermedades respiratorias (que afectan la capacidad de respirar) como la bronquitis crónica, la silicosis y la fibrosis pulmonar. Estas enfermedades pueden ser mortales.

Irritación cutánea y sarpullido.

Cáncer, según el NTP\* y la IARC\* \*/National Toxicology Program (Programa Nacional de Toxicología) y Centro Internacional de Investigaciones sobre el Cáncer.

Tome medidas preventivas:

Evite inhalar y que su piel entre en contacto con el polvo, el vaho y los gases.


Utilice artículos apropiados para la protección respiratoria como máscaras contra polvo diseñadas para filtrar partículas microscópicas, y asegúrese de que todas las personas que se encuentren cerca también lo hagan. (Consulte la normativa OSHA 29 CFR Parte 1926.1153)

Para reducir al mínimo las emisiones de polvo, utilice agua para aglomerar el polvo cuando sea posible.

utilizar el producto de forma segura. Los supervisores y usuarios deben haber leído y comprendido el manual de usuario. Deben tener conocimiento de lo siguiente:

- Las instrucciones de seguridad del producto.
- La gama de aplicaciones y limitaciones del producto.
- Cómo el producto se va a utilizar y mantener.

### Proposición 65 de California

 **ADVERTENCIA!**

Los gases de escape del motor de este producto contienen sustancias químicas conocidas en el Estado de California como causantes de cáncer, defectos congénitos y otros daños reproductivos.

### Descripción del producto

Las cortadoras HUSQVARNA K 970 III, K 970 III Rescue y K 970 SmartGuard son máquinas portátiles de corte con motores de combustión de 2 tiempos.

### Uso previsto

El producto se utiliza para cortar materiales duros como hormigón, mampostería, piedra y acero. No utilice el producto para otras tareas. El producto debe ser utilizado únicamente por operadores profesionales con experiencia.

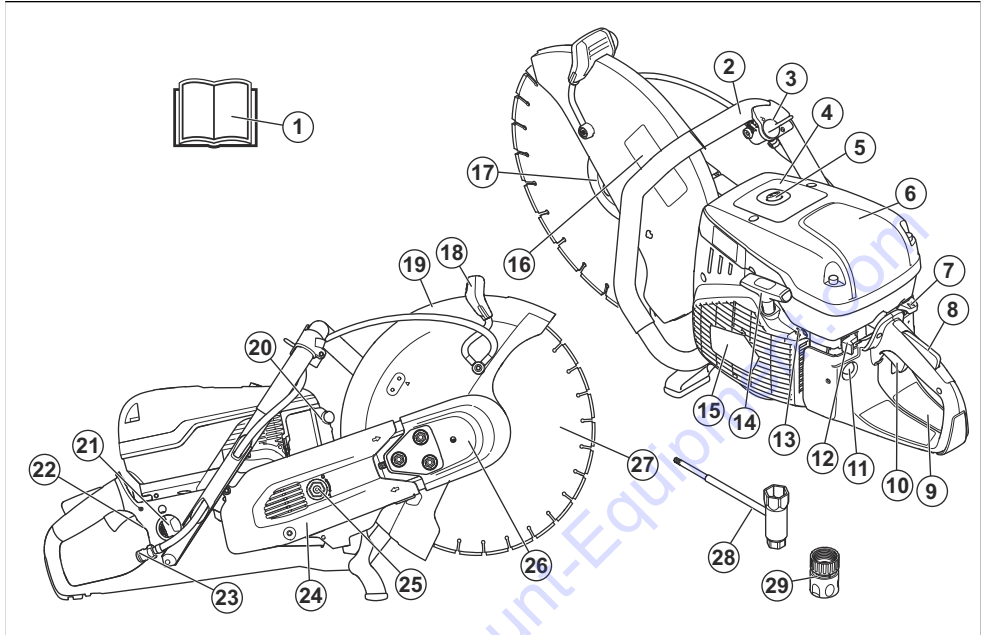
Se realiza un trabajo constante para aumentar su seguridad y la eficiencia durante la operación. Póngase en contacto con su taller de servicio para obtener más información.

**Nota:** El uso de este producto podría estar restringido por normas nacionales o locales.

---

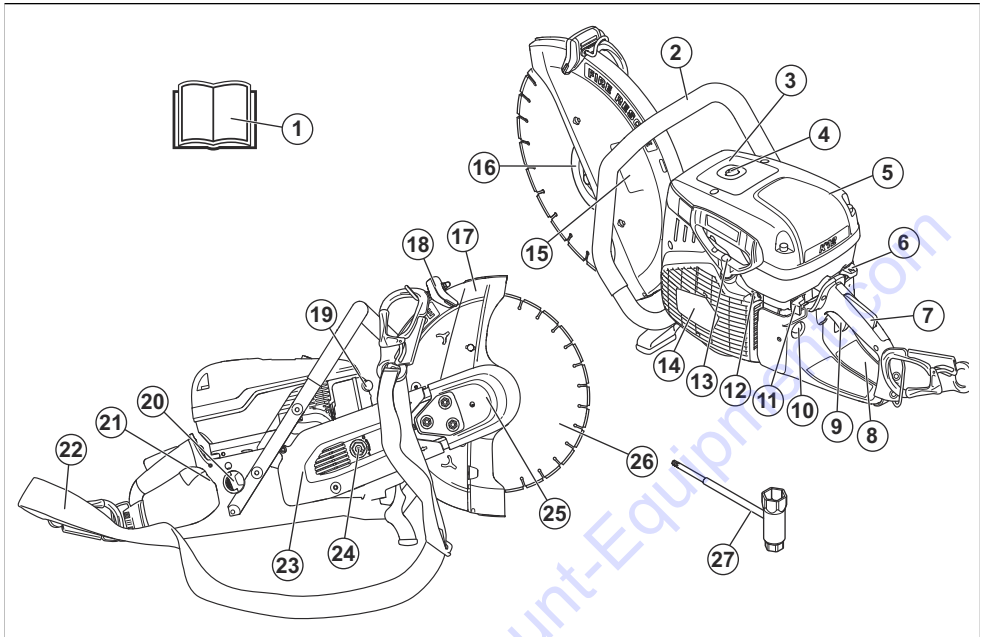
Es responsabilidad del propietario o empleador que el usuario tenga los conocimientos necesarios sobre cómo

## Descripción general del producto K 970 III



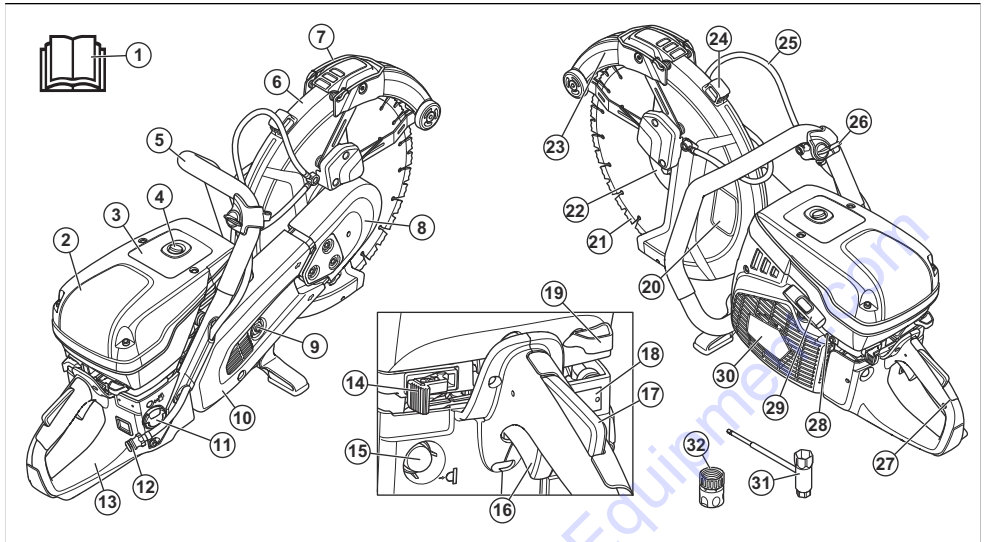
1. Manual del usuario
2. Mango delantero
3. Válvula de agua
4. Etiqueta de advertencia
5. Válvula de descompresión
6. Cubierta del filtro de aire
7. Estrangulador
8. Bloqueo del acelerador
9. Etiqueta de instrucciones de puesta en marcha
10. Acelerador
11. Bulbo de la purga de aire
12. Interruptor de detención
13. Tornillo T, ajuste del régimen de ralentí
14. Empuñadura de la cuerda de arranque
15. Cuerpo del mecanismo de arranque
16. Etiqueta del equipo de corte
17. Brida, eje, buje del eje giratorio
18. Manija de ajuste para la protección del disco
19. Protector de la cuchilla
20. Silenciador
21. Tapa del depósito de combustible
22. Placa de identificación
23. Conexión de agua con filtro
24. Protección de la correa trasera
25. Tensor de correa
26. Protección de la correa delantera
27. Disco de corte (no suministrado)
28. Llave combinada
29. Conector de agua, GARDENA®

## Descripción general del producto K 970 III Rescue



1. Manual del usuario
2. Mango delantero
3. Etiqueta de advertencia
4. Válvula de descompresión
5. Cubierta del filtro de aire
6. Estrangulador
7. Bloqueo del acelerador
8. Etiqueta de instrucciones de puesta en marcha
9. Acelerador
10. Bulbo de la purga de aire
11. Interruptor de detención
12. Tornillo T, ajuste del régimen de ralentí
13. Empuñadura de la cuerda de arranque
14. Cuerpo del mecanismo de arranque
15. Etiqueta del equipo de corte
16. Brida, eje, buje del eje giratorio
17. Protector de la cuchilla
18. Manija de ajuste para la protección del disco
19. Silenciador
20. Tapa del depósito de combustible
21. Placa de identificación
22. Correa para el hombro
23. Protección de la correa trasera
24. Tensor de correa
25. Protección de la correa delantera
26. Disco de corte (no suministrado)
27. Llave combinada

## Descripción general del producto K 970 SmartGuard



1. Manual del usuario
2. Cubierta del filtro de aire
3. Etiqueta de advertencia
4. Válvula de descompresión
5. Mango delantero
6. Protector de la cuchilla
7. Manillar de SmartGuard
8. Protección de la correa delantera
9. Tensor de correa
10. Protección de la correa trasera
11. Tapa del depósito de combustible
12. Conexión de agua con filtro
13. Etiqueta de instrucciones de puesta en marcha
14. Interruptor de detención
15. Bulbo de la purga de aire
16. Acelerador
17. Bloqueo del acelerador
18. Placa de identificación
19. Estrangulador
20. Etiqueta del equipo de corte
21. Disco de corte (no suministrado)
22. Brida, eje, buje del eje giratorio
23. SmartGuard
24. Manija de ajuste para la protección del disco
25. Manguera de agua
26. Válvula de agua
27. Mango trasero
28. Tornillo T, ajuste del régimen de ralentí
29. Empuñadura de la cuerda de arranque

30. Cuerpo del mecanismo de arranque
31. Llave combinada
32. Conector de agua GARDENA®

### Símbolos en el producto



**ADVERTENCIA:** Este producto puede ser peligroso y provocar daños graves o fatales al operador o a otras personas. Tenga cuidado y utilice el producto correctamente.



Lea atentamente el manual de instrucciones y asegúrese de que entiende las instrucciones antes de usar este producto.



Utilice casco protector, protectores auriculares, protección ocular y protección respiratoria aprobados. Consulte *Equipo de protección personal en la página 45*.



Se forma polvo durante el corte. En caso de inhalación, el polvo puede provocar lesiones. Utilice una protección respiratoria aprobada. Evite inhalar los gases de escape. Proporcione siempre una buena ventilación.



**ADVERTENCIA:** Las reculadas pueden ser repentinas, rápidas y violentas, y pueden causar lesiones mortales. Lea y entienda las instrucciones del manual de



instrucciones antes de utilizar el producto.  
Consulte *Reculada en la página 55*.

## Etiqueta de instrucciones de puesta en marcha



Las chispas del disco de corte pueden provocar incendios en el combustible, la madera, la ropa, el pasto seco u otros materiales inflamables.



Asegúrese de que el disco de corte no tenga grietas u otros daños.



No utilice discos de sierra circulares.



Estrangulador



Bulbo de la purga de aire



Válvula de descompresión



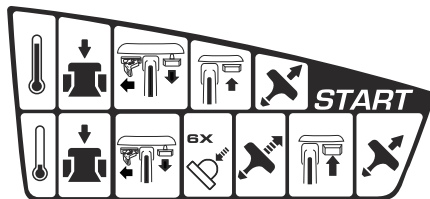
Empuñadura de la cuerda de arranque



Utilice una mezcla de combustible y aceite.

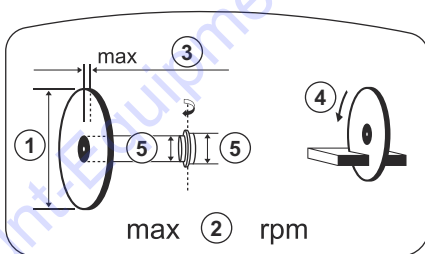


Underwriters Laboratories Inc. (UL) ha indicado que esta máquina cumple con la norma de seguridad ANSI B175.4 de EE. UU.



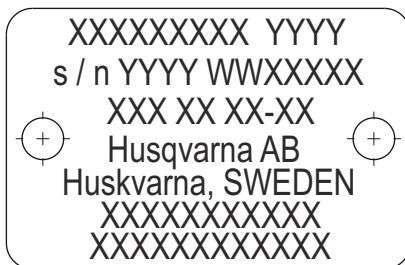
Consulte *Para arrancar el producto con el motor frío en la página 62* y *Para arrancar el producto con el motor caliente en la página 63* para obtener instrucciones.

## Etiqueta del equipo de corte



1. Diámetro del disco de corte
2. Velocidad máxima del eje de salida
3. Grosor máximo del disco
4. Sentido de rotación
5. Dimensión del buje

## Placa de identificación



Fila 1: Marca, modelo (X, Y)

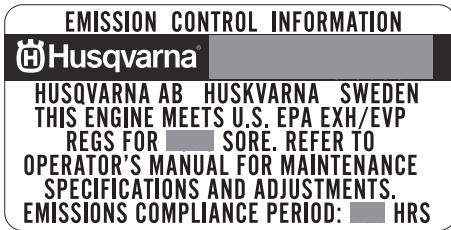
Fila 2: N.º de serie con fecha de fabricación (Y, W, X):  
Año, semana, n.º de secuencia

Fila 3: N.º de producto (X)

Fila 4: Fabricante

**Nota:** Otros símbolos o etiquetas en el producto hacen referencia a requisitos de certificación especiales para algunos mercados.

EE.UU



El período de cumplimiento de emisiones al que se hace referencia en la etiqueta de cumplimiento de emisiones indica la cantidad de horas de funcionamiento para la que se ha demostrado que el motor cumple el requisito de emisiones federales. El mantenimiento, reemplazo o reparación de los dispositivos y sistemas de control de emisiones puede realizarlo cualquier establecimiento o persona de que repare motores para uso fuera de carretera.

## CONSEJO DE RECURSOS DEL AIRE DE CALIFORNIA (CARB)

**Nota:** Esta máquina se considera un adelanto en cuanto a aplicaciones todo terreno en relación con los estándares del CARB. La EPA de EE. UU. tiene exclusiva autoridad para establecer normas de emisiones para equipos de construcción anticipados.

### Responsabilidad del fabricante

Como se menciona en las leyes de responsabilidad del fabricante, no nos hacemos responsables de los daños que cause nuestro producto si:

- el producto se repara incorrectamente
- el producto se repara con piezas que no son del fabricante o que este no autoriza
- el producto tiene un accesorio que no es del fabricante o que este no autoriza
- el producto no se repara en un centro de servicio autorizado o por una autoridad aprobada.

## Seguridad

### Definiciones de seguridad

Las advertencias, precauciones y notas se utilizan para señalar las piezas particularmente importantes del manual.



**ADVERTENCIA:** Se utilizan para señalar el riesgo de lesiones graves o mortales para el operador o para aquellos que se encuentren cerca si no se siguen las instrucciones del manual.



**PRECAUCIÓN:** Se utilizan para señalar el riesgo de dañar la máquina, otros materiales o el área adyacente si no se siguen las instrucciones del manual.

**Nota:** Se utilizan para entregar más información necesaria en situaciones particulares.

### Instrucciones generales de seguridad



**ADVERTENCIA:** Lea atentamente las instrucciones de advertencia siguientes antes de usar el producto.

- Una cortadora es una herramienta peligrosa si se utiliza de forma inapropiada o incorrecta y puede

provocar daños graves o mortales. Es muy importante que lea y comprenda el contenido de este manual de usuario. También se recomienda que quienes operan la máquina por primera vez reciban también instrucciones prácticas antes de utilizar el producto.

- No modifique este producto. Las modificaciones en el producto que no estén aprobadas por el fabricante pueden causar daños graves o la muerte.
- No utilice el producto si es posible que otras personas hayan realizado modificaciones en el mismo.
- Utilice siempre accesorios y piezas de repuesto originales. El uso de accesorios y piezas de repuesto que no estén aprobados por el fabricante puede causar daños graves o la muerte.
- Mantenga la máquina limpia. Asegúrese de que puede leer señales y etiquetas claramente.
- Nunca permita que los niños u otras personas no capacitadas en la utilización de este producto lo utilicen o le realicen mantenimiento.
- No permita que nadie que no haya leído y comprendido el contenido del manual de usuario utilice el producto.
- Restrinja el uso del producto solo a personas autorizadas.
- En este producto se genera un campo electromagnético durante su funcionamiento. Este campo puede, en determinadas circunstancias, interferir en implantes médicos activos o pasivos.

Para reducir el riesgo de daños graves o mortales, se recomienda que las personas con implantes médicos consulten a su médico y al fabricante del implante médico antes de utilizar este producto.

- La información proporcionada en este manual de usuario nunca reemplaza la experiencia y las habilidades profesionales. Si se ve en una situación en la que se sienta inseguro, deténgase y busque el asesoramiento de expertos. Consulte a su concesionario de servicio. No intente realizar ninguna tarea en la cual se sienta inseguro.

## Instrucciones de seguridad para el funcionamiento



**ADVERTENCIA:** Lea atentamente las instrucciones de advertencia siguientes antes de usar el producto.

- Antes de usar una cortadora, debe entender los efectos de la reculada y cómo evitarlos. Consulte *Reculada en la página 55*.
- Realice los controles de seguridad, y las tareas de mantenimiento y de servicio como se describe en el presente manual de usuario. Algunas tareas de mantenimiento y de servicio se deben realizar en un centro de servicio autorizado. Consulte *Introducción en la página 64*.
- No utilice el producto si se encuentra defectuoso.
- No utilice el producto si está cansado, enfermo o bajo la influencia de alcohol, drogas o medicamentos. Estas condiciones pueden tener efectos no deseados en su visión, estado de alerta, coordinación o criterio.
- No arranque el producto sin la correa y la protección de la correa instaladas. El embrague puede aflojarse y causar lesiones.
- Las chispas del disco de corte pueden provocar fuego en materiales inflamables tales como gasolina, gas, madera, ropa y hierba seca.
- No corte materiales de asbesto.

## Seguridad en el área de trabajo



**ADVERTENCIA:** Lea atentamente las instrucciones de advertencia siguientes antes de usar el producto.

- La distancia de seguridad de la cortadora es de 15 m/50'. Asegúrese de que no haya animales ni transeúntes en el área de trabajo.
- No utilice el producto hasta que el área de trabajo esté despejada y los pies y el cuerpo estén en una posición estable.
- Tenga cuidado con personas, objetos y situaciones que puedan impedir el funcionamiento seguro del producto.

- Asegúrese de que no haya personas u objetos que puedan entrar en contacto con el equipo de corte o recibir el impacto de piezas lanzadas por el disco.
- No use el producto en condiciones de niebla, lluvia, vientos fuertes, clima frío, riesgo de rayos u otras condiciones climáticas adversas. Usar el producto en mal tiempo puede tener un efecto negativo en su estado de alerta. Las condiciones climáticas adversas pueden provocar condiciones de trabajo peligrosas, como superficies resbaladizas.
- Durante el funcionamiento del producto, asegúrese de que ningún material pueda aflojarse, caerse y provocar lesiones al operador.
- Tenga cuidado cuando opere el producto en pendientes.
- Mantenga el área de trabajo limpia y despejada.
- Antes de utilizar el producto, determine si hay peligros ocultos como cables eléctricos, agua, tuberías de gas y sustancias inflamables en el área de trabajo. Si el producto se topa con un objeto oculto, detenga el motor inmediatamente y examine el producto y el objeto. No comience a utilizar el producto nuevamente hasta asegurarse de que sea seguro continuar.
- Antes de cortar un tambor, un tubo u otro recipiente, asegúrese de que no contengan material inflamable o de otro tipo que pueda provocar un incendio o una explosión.

## Seguridad de vibración



**ADVERTENCIA:** Lea atentamente las instrucciones de advertencia siguientes antes de usar el producto.

- Durante el funcionamiento del producto, se transmiten vibraciones del producto al operador. El uso frecuente y regular del producto puede provocarle lesiones al operador o aumentar el grado de estas. Se pueden producir lesiones en los dedos, las manos, las muñecas, los brazos, los hombros o los nervios, así como en el riego sanguíneo u otras partes del cuerpo. Las lesiones pueden ser debilitantes o permanentes, y pueden aumentar gradualmente durante semanas, meses o años. Entre las posibles lesiones se incluyen daños en el sistema de circulación sanguínea, el sistema nervioso, las articulaciones y otras estructuras corporales.
- Los síntomas pueden presentarse durante el funcionamiento del producto o en otro momento. Si tiene síntomas y continúa utilizando el producto, los síntomas pueden aumentar o hacerse permanentes. Si se producen estos u otros síntomas, solicite asistencia médica:
  - Entumecimiento, pérdida de sensación, hormigueo, picazón, dolor, ardor, dolor pulsante, rigidez, aturdimiento, pérdida de fuerza, cambios en el color o en el estado de la piel.

- Los síntomas pueden aumentar con el frío. Utilice ropa de abrigo y mantenga las manos calientes y secas cuando utilice el producto en entornos fríos.
- Realice el mantenimiento del producto y utilícelo según se indica en el manual de usuario, para mantener un nivel de vibración correcto.
- El producto tiene un sistema amortiguador de vibraciones que disminuye las vibraciones de las manijas al operador. Deje que el producto haga el trabajo. No ejerza fuerza para empujar el producto. Sujete ligeramente el producto en las manijas, pero asegúrese de controlarlo y operarlo de forma segura. No empuje las manijas en los topes más de lo necesario.
- Mantenga las manos solamente en las manijas. No acerque ninguna otra parte de cuerpo al producto.
- Detenga el producto de inmediato si se producen vibraciones fuertes repentinamente. No continúe la operación hasta eliminar la causa del aumento de las vibraciones.
- Cortar granito o concreto duro causa más vibración en el producto que cuando se corta hormigón blando. El equipo de corte roma, defectuoso, de tipo incorrecto o afilado incorrectamente, aumenta el nivel de vibración

### Seguridad de los gases de escape



**ADVERTENCIA:** Lea atentamente las instrucciones de advertencia siguientes antes de usar el producto.

- Los gases de escape del motor contienen monóxido de carbono, un gas inodoro, tóxico y muy peligroso. Respirar monóxido de carbono puede provocar la muerte. Dado que el monóxido de carbono es inodoro y no se puede ver, no es posible detectarlo. Un síntoma de intoxicación por monóxido de carbono es el mareo, pero también es posible que la persona pierda la conciencia sin previo aviso si la cantidad o concentración de monóxido de carbono es suficiente.
- Los gases de escape también contienen hidrocarburos sin quemar, incluido benceno. La inhalación a largo plazo puede provocar problemas de salud.
- Los gases de escape que se pueden ver u oler también contienen monóxido de carbono.
- No utilice el motor de combustión en interiores ni en zonas que no tengan suficiente flujo de aire.
- No inhale los gases de escape.
- Asegúrese de que haya suficiente ventilación en el área de trabajo. Esto es muy importante cuando se utiliza el producto en fosos u otras áreas de trabajo confinadas donde los gases de escape se pueden acumular fácilmente.

### Seguridad contra el polvo



**ADVERTENCIA:** Lea atentamente las instrucciones de advertencia siguientes antes de usar el producto.

- El funcionamiento del producto puede causar suspensión de polvo en el aire. El polvo puede causar lesiones graves y problemas de salud permanentes. Varias autoridades han establecido regulaciones con respecto a los efectos dañinos del polvo de sílice. A continuación, se presentan algunos ejemplos de tales problemas de salud:
  - Enfermedades pulmonares mortales como bronquitis crónica, silicosis y fibrosis pulmonar
  - Cáncer
  - Anomalías congénitas
  - Inflamación de la piel
- Utilice el equipo correcto para disminuir la cantidad de polvo y gases en el aire y para disminuir la cantidad de polvo en el equipo de trabajo, las superficies, la ropa y las partes del cuerpo. Algunos ejemplos de mecanismos de control son los sistemas de recolección de polvo y los aspersores de agua para adherir el polvo. Disminuya el polvo en el origen cuando sea posible. Asegúrese de que el equipo se instale y utilice correctamente, y de que se le realice mantenimiento regular.
- Utilice protección respiratoria aprobada. Asegúrese de utilizar protección respiratoria cuando se trabaje con materiales peligrosos en el área de trabajo.
- Asegúrese de que haya un flujo de aire suficiente en la zona de trabajo.
- Si es posible, dirija el escape del producto hacia un punto en que no cause suspensión de polvo en el aire.

### Equipo de protección personal

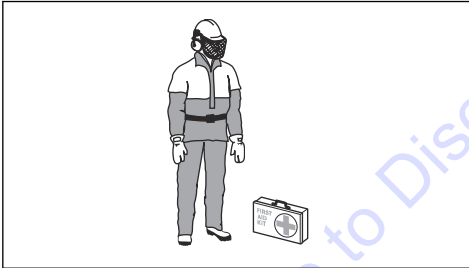


**ADVERTENCIA:** Lea atentamente las instrucciones de advertencia siguientes antes de usar el producto.

- Siempre utilice equipo de protección personal homologado durante el funcionamiento. El equipo de protección personal no puede eliminar el riesgo de lesiones, pero reducirá el grado de lesiones en caso de que se produzca un accidente. Pida ayuda a su concesionario de servicio para elegir el equipo correspondiente.
- Utilice un casco protector aprobado.
- Use protección auricular aprobada. La exposición prolongada al ruido puede causar la pérdida permanente de la audición. Esté atento a las señales de advertencia o los avisos cuando utilice protectores auriculares. Siempre retire sus protectores auriculares apenas se detenga el motor.
- Utilice protección ocular aprobada para reducir el riesgo de lesiones causadas por objetos lanzados.

Si utiliza una máscara de protección, entonces también debe utilizar gafas protectoras autorizadas. Las gafas protectoras autorizadas deben cumplir con la norma ANSI Z87.1 de EE. UU. o EN 166 para países de la UE. Los visores deben cumplir con la norma EN 1731.

- Utilice guantes resistentes.
- Utilice protección respiratoria aprobada. El uso de máquinas tales como cortadoras, amoladoras, taladros, que liján o dan forma a materiales, puede generar polvo y vapores que pueden contener productos químicos peligrosos. Compruebe el origen del material que va a procesar y utilice una máscara respiratoria adecuada.
- Use vestimenta ceñida, reforzada y cómoda que permita una total libertad de movimiento. Las acciones de corte generan chispas que pueden prender fuego a la ropa. HUSQVARNA recomienda que lleve ropa de algodón retardante de llama o mezcilla gruesa. No use ropa de materiales como nailon, poliéster o rayón. Si estos materiales se encienden, pueden derretirse y adherirse a la piel. No utilice pantalones cortos.
- Utilice botas con punta de acero y suela antideslizante.
- Siempre mantenga cerca el botiquín de primeros auxilios.



- Pueden producirse chispas en el silenciador o en el disco de corte. Tenga siempre a mano un extintor de incendios.

## Dispositivos de seguridad en el producto

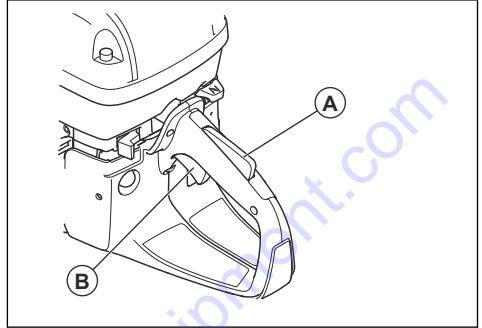


**ADVERTENCIA:** Lea atentamente las instrucciones de advertencia siguientes antes de usar el producto.

- No utilice un producto con dispositivos de seguridad defectuosos.
- Revise los dispositivos de seguridad de forma regular. Si los dispositivos de seguridad están defectuosos, comuníquese con su taller de servicio aprobado por HUSQVARNA.
- No modifique los dispositivos de seguridad.
- No utilice el producto si las placas de protección, las cubiertas de protección, los interruptores de seguridad u otros dispositivos protectores presentan defectos o no están conectados.

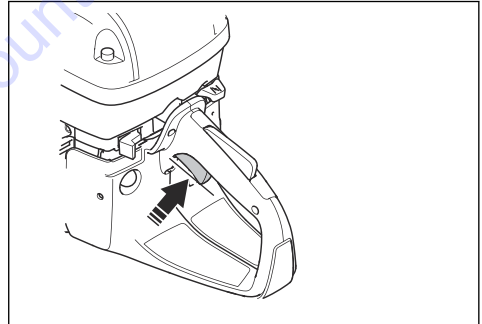
## Bloqueo del acelerador

El bloqueo del acelerador evita el funcionamiento accidental del acelerador. Si coloca la mano alrededor del mango y presiona el bloqueo del acelerador (A), se libera el acelerador (B). Si suelta el mango, el acelerador y el bloqueo del acelerador vuelven a sus posiciones iniciales. Esta función bloquea el acelerador en régimen de ralentí.

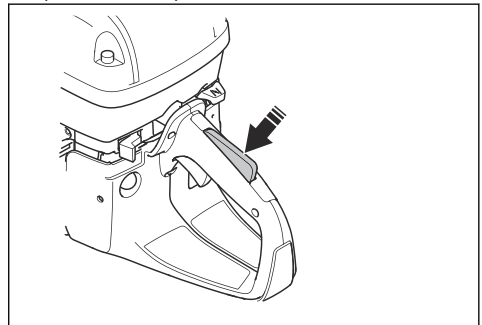


## Comprobación del funcionamiento del acelerador

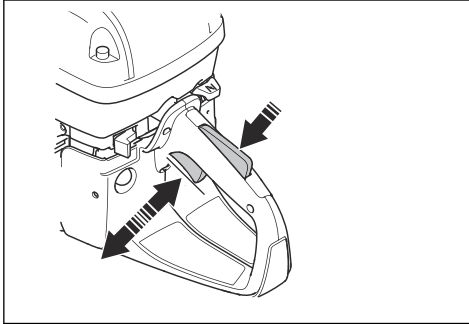
1. Asegúrese de que el acelerador esté bloqueado en la posición de ralentí cuando el bloqueo del acelerador esté liberado.



2. Presione el bloqueo del acelerador y asegúrese de que vuelva a su posición cuando lo suelte.



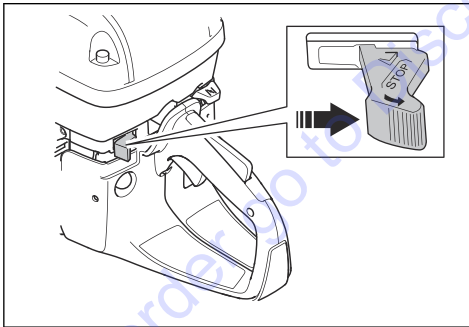
3. Asegúrese de que el acelerador y el bloqueo del acelerador se muevan libremente y que los resortes de retorno funcionen de manera correcta.



4. Encienda el producto y aplique la aceleración máxima.
5. Suelte el acelerador y asegúrese de que el disco de corte se detenga y permanezca inmóvil.
6. Si el disco de corte gira en la posición de ralentí, debe ajustar el régimen de ralentí. Consulte *Para ajustar el régimen de ralentí en la página 70*.

#### Para comprobar el interruptor de detención

1. Arranque el motor. Consulte *Para arrancar el producto con el motor frío en la página 62*.
2. Mueva el interruptor de detención a la posición STOP (Detención). El motor se debe detener.



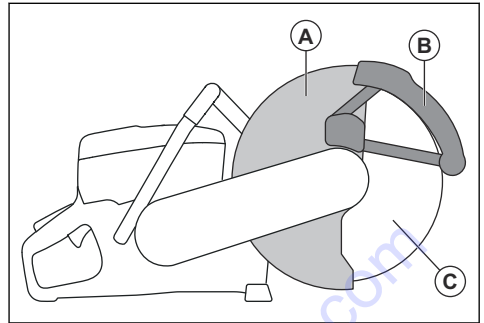
#### Protección de la hoja y SmartGuard (opcional)



**ADVERTENCIA:** Asegúrese de que la protección de la hoja y el sistema SmartGuard estén fijados correctamente antes de encender el producto. No utilice el producto si la protección de la hoja o el sistema SmartGuard no se encuentran en su lugar, o si presentan defectos o grietas.

La protección de la hoja (A) y el sistema SmartGuard (B) se instalan sobre el disco de corte (C). Esto evita que se produzcan lesiones en el que caso de que

piezas del disco o del material cortado salgan despedidas en la dirección del operador.



El sistema SmartGuard funciona por resorte y siempre debe moverse libremente y retraerse a su posición inicial por la fuerza del resorte.

#### Examinar la batería y la protección de la hoja



**ADVERTENCIA:** Un disco de corte dañado puede provocar lesiones.

1. Compruebe que el disco de corte esté correctamente fijado y que no tenga señales de daños.
2. Asegúrese de que la protección de la hoja no tenga grietas ni daños.
3. Reemplace la protección si está dañada.

#### Para comprobar el SmartGuard



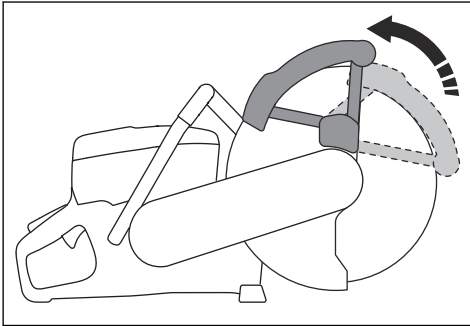
**ADVERTENCIA:** Un SmartGuard dañado puede provocar lesiones.



**PRECAUCIÓN:** El SmartGuard es un protector de plástico y se puede dañar por el calor durante el corte seco intenso de un metal con hojas abrasivas aglomeradas. No realice cortes secos intensos de metal ni deje que el producto se enfríe entre los cortes. Para un corte de metal intenso con SmartGuard, recomendamos el corte húmedo con hojas de diamante soldadas al vacío, como VARI-CUT FR3.

1. Asegúrese de que el sistema SmartGuard no presente grietas ni daños.

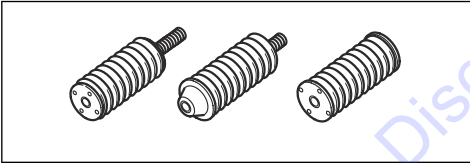
- Asegúrese de que el sistema SmartGuard se mueva con libertad, sin mucha holgura, y que se retraiga con la fuerza del resorte.



- Limpie o reemplace el sistema SmartGuard si no se retrae de inmediato cuando lo empuja o si está dañado.

### Sistema amortiguador de vibraciones

El producto está equipado con un sistema amortiguador de vibraciones que está diseñado para minimizar las vibraciones y facilitar el trabajo. El sistema amortiguador de vibraciones del producto reduce la transmisión de vibraciones entre la unidad de motor/equipo de corte y la unidad de mango del producto.



### Para comprobar el sistema amortiguador de vibraciones



**ADVERTENCIA:** Asegúrese de que el motor esté apagado y de que el interruptor de detención se encuentre en la posición STOP (Detención).

- Asegúrese de que no haya grietas o deformación en los amortiguadores de vibraciones. Sustituya los amortiguadores de vibraciones si están dañados.
- Asegúrese de que los amortiguadores de vibraciones estén firmemente acoplados a la unidad del motor y a la unidad del mango.

### Silenciador

El silenciador mantiene los niveles de ruido al mínimo y envía los gases de escape lejos del operador.

No utilice el producto si el silenciador no está instalado o está defectuoso. Un silenciador defectuoso aumenta el nivel de ruido y el riesgo de incendio.



**ADVERTENCIA:** El silenciador se calienta mucho durante y después del uso y cuando el motor funciona en régimen de ralentí. Tenga cuidado cerca de materiales o vapores inflamables para prevenir incendios.

### Para comprobar el silenciador

- Examine el silenciador con regularidad para asegurarse de que está instalado correctamente y que no esté dañado.

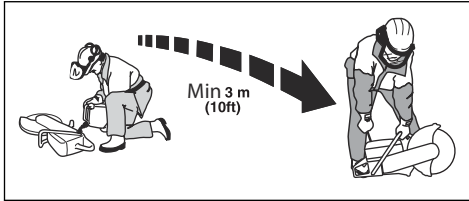
### Seguridad de combustible



**ADVERTENCIA:** Lea atentamente las instrucciones de advertencia siguientes antes de usar el producto.

- La gasolina es inflamable y sus gases son explosivos. Tenga cuidado con el combustible para evitar lesiones, incendios y explosiones.
- Solo reabastezca con combustible el producto al aire libre, donde el flujo de aire sea suficiente. No inhale los gases del combustible. Los gases del combustible son tóxicos y pueden provocar lesiones, incendios o explosiones.
- No retire la tapa del depósito de combustible ni llene el depósito con el motor encendido.
- Deje que el motor se enfríe antes de agregar combustible.
- No fume cerca del combustible o del motor.
- No coloque objetos calientes cerca del combustible o del motor.
- No llene el depósito de combustible cerca de chispas o llamas.
- Antes de llenar el depósito de combustible, abra lentamente la tapa del depósito de combustible y libere la presión con cuidado.
- Si el combustible entra en contacto con la piel, puede provocar lesiones. Si le cae combustible en la piel, quítelo con jabón y agua.
- Si derrama combustible en su ropa, cámbiese la ropa inmediatamente.
- Apriete bien la tapa del depósito de combustible. Si la tapa del depósito de combustible no está correctamente apretada, las vibraciones del producto pueden aflojarla y provocar fugas de combustible y de gases del combustible. El combustible y los gases del combustible representan un riesgo de incendio.

- Antes de poner en marcha el producto, colóquelo a una distancia mínima de 3 m/10 pies desde el lugar donde llenó el depósito de combustible.



- No arranque el producto si hay combustible o aceite derramados en el producto. Quite el combustible y el aceite no deseados y deje que el producto se seque antes de arrancar el motor.
- Examine frecuentemente el motor en busca de fugas. Si hay fugas en el sistema de combustible, no arranque el motor hasta que las repare.
- Almacene el combustible solo en recipientes aprobados.
- Cuando el producto y el combustible estén almacenados, asegúrese de que el combustible y los gases del combustible no puedan causar daños, incendios ni explosiones.
- Vacíe el combustible en un recipiente aprobado en exteriores y lejos de chispas y llamas.

## Instrucciones de seguridad para el mantenimiento



**ADVERTENCIA:** Lea atentamente las instrucciones de advertencia siguientes antes de usar el producto.

- Asegúrese de que el motor esté apagado y de que el interruptor de parada se encuentre en la posición STOP (Detención).
- Utilice equipo de protección personal. Consulte *Equipo de protección personal en la página 45*.
- Si el mantenimiento no se realiza de manera correcta y regular, aumenta el riesgo de sufrir lesiones y causar daños en el producto.
- Solo realice tareas de mantenimiento como se indica en el presente manual del usuario. Solicite a un taller de servicio aprobado que realice cualquier otro mantenimiento.
- Permita que un taller de servicio HUSQVARNA aprobado realice trabajos de mantenimiento en el producto con regularidad.
- Cambie las piezas dañadas, desgastadas o rotas.
- Siempre utilice accesorios originales.

## Montaje

### Discos de corte



**ADVERTENCIA:** Siempre utilice guantes protectores cuando monte el producto.



**ADVERTENCIA:** Un disco de corte puede romperse y causar lesiones al operador.



**ADVERTENCIA:** Examine el disco de corte en busca de grietas, deformación por segmentos faltantes o desequilibrio antes de su uso e inmediatamente después de golpear un objeto no deseado. No utilice un disco de corte dañado. Después de inspeccionar e instalar el disco de corte, coloque el plano del disco de corte giratorio alejado de usted y de los transeúntes, y encienda la herramienta eléctrica a velocidad máxima sin carga durante un minuto.



**ADVERTENCIA:** El fabricante del disco de corte realiza advertencias y recomendaciones para la operación y el

mantenimiento correctos del disco de corte. Estas advertencias vienen con el disco de corte. Lea y obedezca las instrucciones que se suministran con el disco de corte.

### Discos de corte aplicables



**ADVERTENCIA:** Utilice solo discos de diamante y discos abrasivos para hormigón y metales. No utilice hojas con bordes dentados, tales como discos de corte de madera circulares u hojas con puntas de carburo. Aumenta el riesgo de reculada y las puntas de carburo se pueden desprender y salir eyectadas a gran velocidad. Esto puede provocar lesiones o la muerte.



**ADVERTENCIA:** Nunca utilice un disco de corte para cualquier otro material al que estaba destinado a cortar.

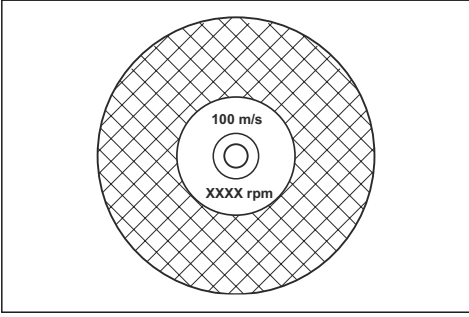


**ADVERTENCIA:** Utilice solo discos de corte que cumplan con las normas nacionales o regionales aplicables, como EN12413, EN13236 o ANSI B7.1.





**ADVERTENCIA:** Nunca utilice un disco de corte con un valor de velocidad nominal inferior al indicado para el producto. El valor de velocidad nominal del disco de corte está marcado en el disco y el del producto está marcado en la protección del disco.

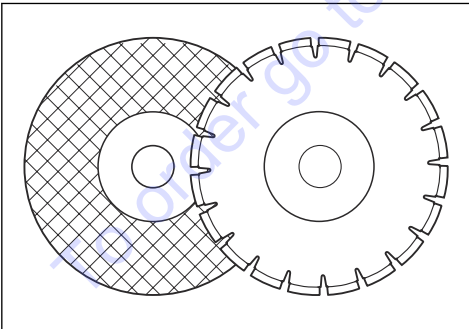


**Nota:** Muchos discos de corte que se pueden unir a este producto están fabricados para sierras estáticas. El valor de velocidad nominal de esos discos de corte es demasiado bajo para este producto.



**PRECAUCIÓN:** No utilice discos de corte con un espesor superior al máximo recomendado. Consulte *Datos técnicos en la página 73*.

- Los discos de corte indicados para este producto están disponibles en dos modelos básicos: discos abrasivos aglomerados y discos de diamante.



- Asegúrese de que el disco de corte tenga la dimensión correcta del orificio central para el buje del eje giratorio instalado.

## Vibración del disco de corte



**PRECAUCIÓN:** Si utiliza el producto con demasiada fuerza, el disco de corte se puede calentar demasiado, doblar y provocar vibraciones. Utilice el producto con menos fuerza. Si las vibraciones continúan, reemplace el disco de corte.

## Discos de corte abrasivos aglomerados



**ADVERTENCIA:** No utilice discos de corte abrasivos aglomerados con agua. La humedad disminuye la resistencia del disco de corte abrasivo aglomerado, lo que podría hacer que el disco se rompa y cause lesiones.

Un disco de corte abrasivo aglomerado se compone de granos abrasivos pequeños unidos con una unión orgánica o vitrificada, moldeada con refuerzos de tela, que impide que el disco de corte se rompa durante la operación a alta velocidad.

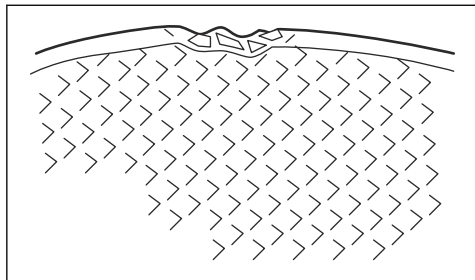
## Discos de corte abrasivos aglomerados para diferentes materiales

**Nota:** Asegúrese de utilizar los discos de corte correctos para cortar rieles.

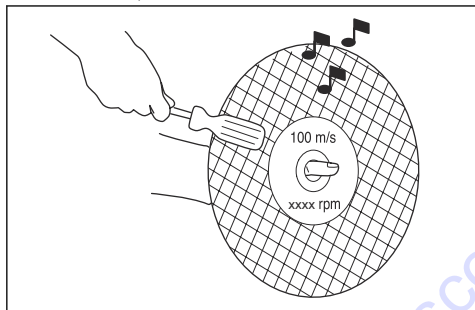
Tipo de cuchilla	Material
Disco para hormigón	Hormigón, asfalto, albañilería de piedra, hierro fundido, aluminio, cobre, latón, cables, goma y plástico.
Disco para metal	Acero, aleaciones de acero y otros metales duros.
Disco de corte para cortar rieles	Carril

## Para examinar un disco de corte abrasivo aglomerado

- Asegúrese de que no haya grietas o daños en el disco de corte.



- Sostenga el disco de corte con un dedo y golpéelo suavemente con un destornillador. Si no oye un sonido claro, el disco de corte está dañado.



## Cuchillas de diamante



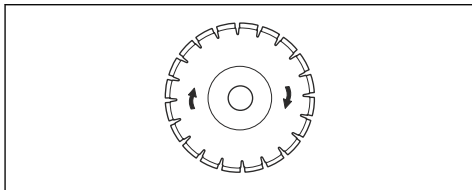
**ADVERTENCIA:** Las cuchillas de diamante pueden calentarse bastante cuando se utilizan. Un disco de diamante demasiado caliente ofrece un mal rendimiento, puede dañarse y presentar riesgos de seguridad.



**ADVERTENCIA:** No utilice discos de diamante para cortar material plástico. Un disco de diamante caliente puede derretir el plástico, lo que puede causar una reculada.

- Los discos de diamante tienen un núcleo de acero con segmentos hechos de diamantes industriales.
- Los discos de diamante se usan en mampostería, concreto reforzado y piedra.

- Asegúrese de que la hoja de diamante gire en la dirección que indican las flechas de la hoja de diamante.



- Utilice siempre una cuchilla de diamante afilada.
- Las hojas de diamante pueden desafilarse cuando se utiliza la presión de alimentación equivocada o cuando se cortan ciertos materiales, como hormigón armado duro. Si se utiliza una hoja de diamante desafilada, esta se calienta demasiado al cortar, lo que puede provocar que se aflojen los segmentos de diamante.

## Para afilar el disco de corte

**Nota:** Para obtener los mejores resultados de corte, utilice un disco de corte afilado.

- Para afilar el disco de corte, corte un material blando como arenisca o ladrillo.

## Hojas de diamante para corte húmedo

- Los discos de diamante para corte húmedo se deben utilizar con agua.
- El agua disminuye la temperatura del disco de corte, aumenta su vida útil y disminuye el polvo durante la operación.
- Durante el corte húmedo, recolecte el agua residual de forma segura.

## Hojas de diamante para corte seco

- En el caso de discos de diamante para corte seco, es necesario tener suficiente flujo de aire alrededor del disco de corte a fin de disminuir la temperatura. Debido a esto, se recomiendan discos de diamante para corte seco únicamente si el funcionamiento se realiza de manera intermitente. Después de algunos segundos de funcionamiento, es necesario dejar que el disco de diamante gire libremente, lejos de la superficie de corte. Esto permite que el flujo de aire alrededor del disco disminuya la temperatura del disco de diamante.

## Hoja de diamante: espacio lateral



**ADVERTENCIA:** Algunas situaciones de corte u hojas de mala calidad pueden sufrir un desgaste excesivo del lado de los segmentos. Asegúrese de que el segmento de diamante (A) sea más ancho que la hoja (B). Esto tiene la finalidad de evitar la obstrucción en la ranura de corte y

**TO PURCHASE THIS PRODUCT PLEASE CONTACT US**



**Equipment Financing and  
Extended Warranties Available**



**Discount-Equipment.com is your online resource for  
commercial and industrial quality parts and equipment sales.**

**561-964-4949**

**visit us on line @ [www.discount-equipment.com](http://www.discount-equipment.com)**

Select an option below to find your Equipment

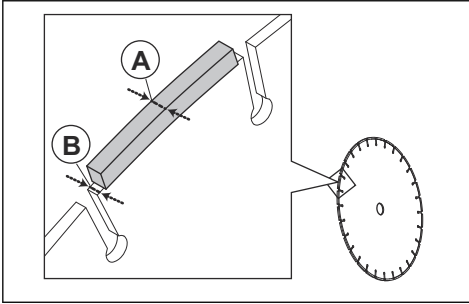
**Search by Manufacturer**

**Search by Product Type**

**Request a Quote**

We sell worldwide for the brands: Genie, Terex, JLG, MultiQuip, Mikasa, Essick, Whiteman, Mayco, Toro Stone, Diamond Products, Generac Magnum, Airman, Haulotte, Barreto, Power Blanket, Nifty Lift, Atlas Copco, Chicago Pneumatic, Allmand, Miller Curber, Skyjack, Lull, Skytrak, Tsurumi, Husquvarna Target, Stow, Wacker, Sakai, Mi-T-M, Sullair, Basic, Dynapac, MBW, Weber, Bartell, Bennar Newman, Haulotte, Ditch Runner, Menegotti, Morrison, Contec, Buddy, Crown, Edco, Wyco, Bomag, Laymor, EZ Trench, Bil-Jax, F.S. Curtis, Gehl Pavers, Heli, Honda, ICS/PowerGrit, IHI, Partner, Imer, Clipper, MMD, Koshin, Rice, CH&E, General Equipment, Amida, Coleman, NAC, Gradall, Square Shooter, Kent, Stanley, Tamco, Toku, Hatz, Kohler, Robin, Wisconsin, Northrock, Oztec, Toker TK, Rol-Air, APT, Wylie, Ingersoll Rand / Doosan, Innovatech, Con X, Ammann, Mecalac, Makinex, Smith Surface Prep, Small Line, Wanco, Yanmar

una reculada. Consulte *Reculada en la página 55*.



**PRECAUCIÓN:** Algunas situaciones de corte y hojas gastadas pueden aumentar el desgaste del lado de los segmentos. Cambie la hoja antes de que se desgaste por completo.

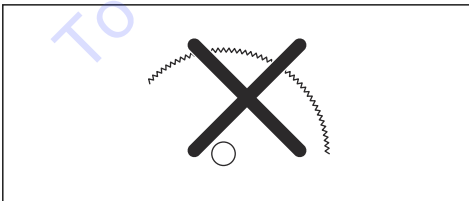
## Cuchillas dentadas



**ADVERTENCIA:** Nunca utilice cuchillas dentadas, como discos de corte de madera, cuchillas dentadas circulares, discos con punta de carburo, etc. El riesgo de reculada aumenta considerablemente y las puntas se pueden romper y salir despedidas a gran velocidad. El descuido puede provocar lesiones personales graves o incluso la muerte.



**ADVERTENCIA:** Las regulaciones del gobierno requieren un tipo de protección diferente para las cuchillas con punta de carburo no disponibles en las cortadoras: una protección de 360 grados. Las cortadoras (como esta sierra) utilizan hojas de diamante y cuentan con un sistema de protección diferente que no proporciona protección contra los peligros que presentan los discos de corte de madera.



El uso de esta cortadora con una hoja de punta de carburo es una infracción de las reglas de seguridad en el trabajo.

Debido a la naturaleza peligrosa y a las exigentes circunstancias relacionadas con la extinción de incendios y con las operaciones de rescate realizadas por las diversas fuerzas de seguridad pública altamente entrenadas y por los profesionales de seguridad (bomberos), Husqvarna es consciente de que pueden utilizar esta cortadora con cuchillas de punta de carburo en ciertas situaciones de emergencia debido a la capacidad de las cuchillas con punta de carburo para cortar diferentes tipos de obstáculos y materiales en combinación sin tener que tomarse el tiempo de cambiar las cuchillas o las máquinas. Al utilizar esta cortadora, tenga en cuenta en todo momento que, si no se utilizan correctamente, las hojas con punta de carburo presentan un mayor riesgo de reculadas que las hojas de diamante. Las cuchillas con punta de carburo también pueden arrojar piezas de material lejos de la cuchilla.

Por estas razones, nunca se debe usar una cortadora equipada con cuchilla de punta de carburo, excepto por los profesionales de seguridad pública altamente entrenados que estén al tanto de los riesgos asociados a su uso, y solo en esas circunstancias exigentes cuando otras herramientas se consideran ineficientes e inefectivas para las operaciones de extinción de incendios o rescate. Nunca se debe utilizar una cortadora equipada con una cuchilla de punta de carburo para cortar madera en situaciones que no sean de rescate.

## Para examinar el eje del husillo y las arandelas de brida



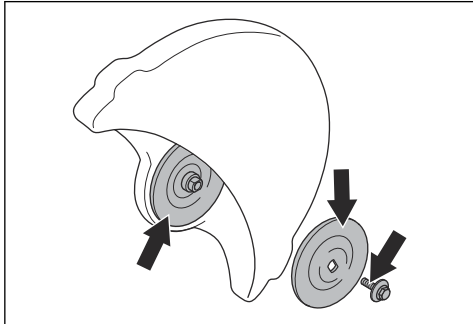
**PRECAUCIÓN:** Utilice solamente arandelas de brida HUSQVARNA con un diámetro mínimo de 105 mm/4,1 pulg.



**ADVERTENCIA:** No utilice arandelas de brida defectuosas, desgastadas o sucias. Utilice solamente arandelas de brida de la misma dimensión. Las arandelas de brida incorrectas pueden causar daños al disco de corte o aflojarlo.

Examine el eje del husillo y las arandelas de brida cuando reemplace el disco de corte.

1. Asegúrese de que las roscas del eje del husillo no estén dañadas. Cambie las piezas dañadas.

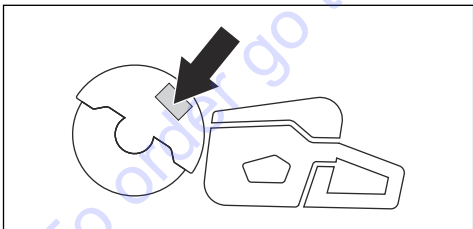


2. Asegúrese de que las zonas de contacto en el disco de corte y las arandelas de brida no estén dañadas. Cambie las piezas dañadas.
3. Asegúrese de que las arandelas de brida estén limpias y sean de las dimensiones correctas.
4. Asegúrese de que las arandelas de brida se muevan libremente en el eje del husillo.

## Para comprobar el buje del eje giratorio

Los bujes del eje giratorio se utilizan para conectar el producto al orificio central del disco de corte. El producto se suministra con uno de estos dos tipos de bujes del eje giratorio:

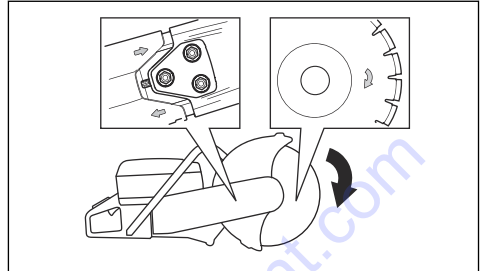
- Un buje del eje giratorio que se puede girar al otro lado y se puede aplicar a orificios centrales de 20 mm/0,79 pulg. o 25,4 mm/1 pulg.
- Un buje del eje giratorio de 25,4 mm/1 pulg.
- En una etiqueta en la protección del disco se indican el buje del eje giratorio instalado y la especificación de los discos de corte correspondientes.



- Asegúrese de que la dimensión del orificio central del disco de corte coincida con el buje del eje giratorio instalado. El diámetro del orificio central está impreso en el disco de corte.
- Utilice solo bujes del eje giratorio de HUSQVARNA.

## Para examinar el sentido de rotación del disco de corte

1. Busque las flechas en la protección de la correa trasera que indican el sentido de rotación del eje del husillo.



2. Encuentre la flecha que aparece en el disco de corte para conocer el sentido de rotación del disco.
3. Asegúrese de que las flechas de dirección del disco de corte y el eje del husillo tengan la misma dirección.

## Para instalar el disco de corte

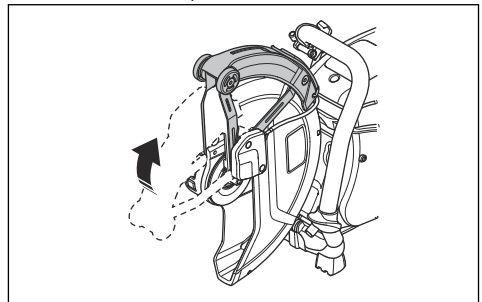


**ADVERTENCIA:** Asegúrese de que el motor esté apagado y de que el interruptor de parada se encuentre en la posición STOP (Detención).



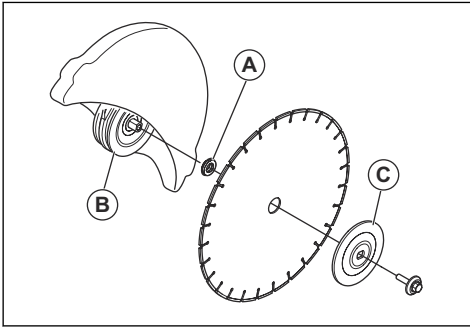
**ADVERTENCIA:** Siempre utilice guantes protectores cuando monte el producto.

1. Examine las arandelas de brida y el eje del husillo. Consulte *Para examinar el eje del husillo y las arandelas de brida en la página 52.*
2. Empuje hacia atrás y mantenga el sistema SmartGuard en la posición retraída.

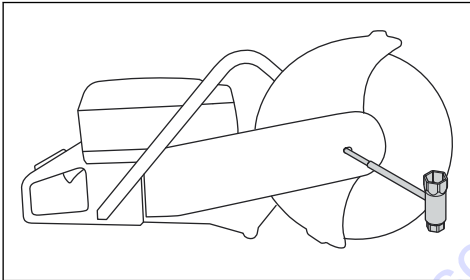


**Nota:** Este paso solo se aplica al modelo K 970 SmartGuard.

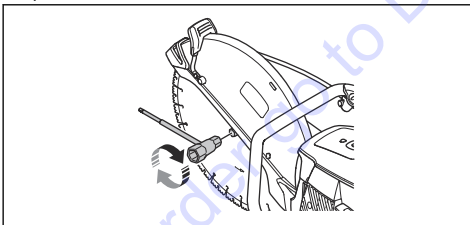
- Coloque el disco de corte en el buje del eje giratorio (A) entre la arandela de brida interna (B) y la arandela de brida (C). Gire la arandela de brida hasta que se sujete en el eje.



- Coloque una herramienta en el orificio de la protección de la correa delantera y gire el disco de corte hasta que el eje esté bloqueado.



- Apriete el perno del disco de corte a 25 Nm/18,5 lb-pie.



### Para invertir el cabezal de corte (K 970 III, K 970 III Rescue)



**ADVERTENCIA:** Solo corte con el cabezal de corte invertido si no es posible realizar un procedimiento estándar.

El producto tiene un cabezal de corte reversible que le permite cortar cerca de una pared o a nivel del suelo. Solo corte con el cabezal de corte invertido si no es posible realizar un procedimiento estándar. Si se produce una reculada, cuando se tiene el cabezal de corte invertido, el producto se torna más difícil de

controlar. La distancia entre el disco de corte y el centro del producto es mayor, lo que significa que la manija y el disco de corte no se alinean. Esto tiene un efecto negativo en el equilibrio del producto, lo que hace que sea más difícil sostenerlo si el disco de corte se obstruye o engancha en el sector de riesgo de reculada. Consulte *Reculada en la página 55*.



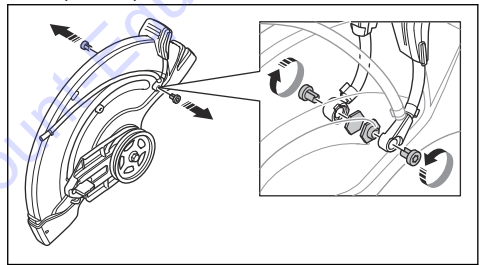
**ADVERTENCIA:** Asegúrese de que el motor esté apagado y de que el interruptor de parada se encuentre en la posición STOP (Detención).



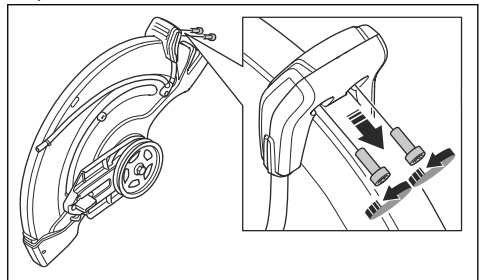
**ADVERTENCIA:** Siempre utilice guantes protectores cuando monte el producto.

- Quite el disco de corte, la cubierta de la correa delantera y el cabezal de corte. Consulte los pasos 1 a 5 en *Para reemplazar la correa de transmisión en la página 66*.

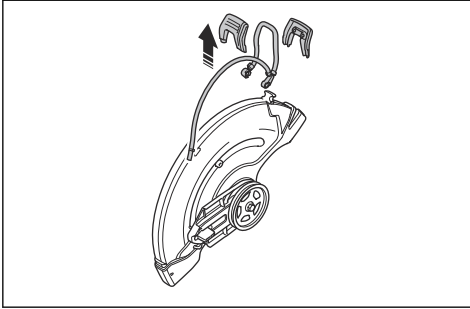
- Quite los 2 tornillos y las tuercas que sujetan la boquilla de pulverización.



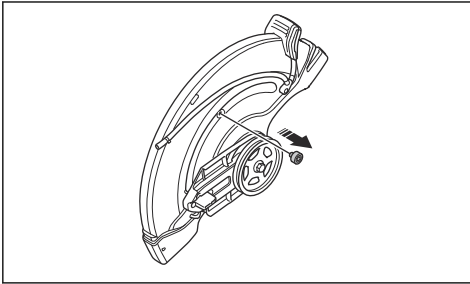
- Quite los 2 tornillos de la manija de ajuste de la protección del disco.



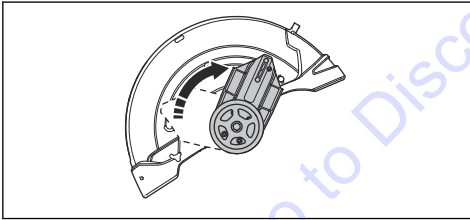
4. Quite la manija de ajuste de la protección del disco



5. Quite el manguito de detención.

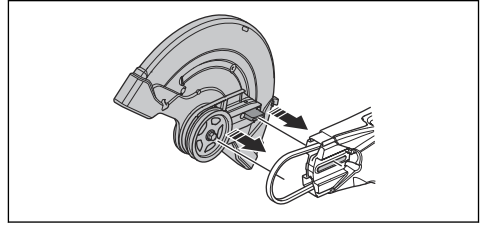


6. Mueva el alojamiento de cojinete e instale el manguito de detención.



7. Instale el manguito de detención.

8. Instale la correa de transmisión en el lado opuesto.



9. Instale el cabezal de corte y la cubierta de la correa de transmisión; consulte *Para reemplazar la correa de transmisión en la página 66*.

10. Instale la boquilla de pulverización y el disco de corte en la secuencia opuesta a la forma en que se quitaron.

## Funcionamiento

### Introducción



**ADVERTENCIA:** Asegúrese de leer y comprender el capítulo de seguridad antes de utilizar el producto.

### Reculada



**ADVERTENCIA:** Las reculadas son repentinas y pueden ser muy violentas. La cortadora puede salir despedida hacia arriba y hacia atrás en dirección al usuario en un movimiento giratorio, provocando lesiones graves o mortales. Es vital comprender las

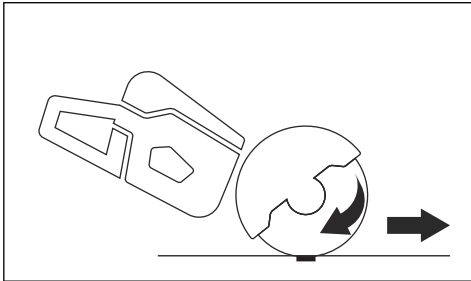
causas de las reculadas y cómo evitarlas antes de utilizar el producto.

Una reculada es el movimiento repentino hacia arriba que puede ocurrir si la cuchilla se atasca o se engancha en el sector de riesgo de reculada. La mayoría de las reculadas son pequeñas y poco peligrosas. No obstante, una reculada también puede ser muy violenta y lanzar la cortadora hacia arriba y hacia atrás en dirección al usuario con un movimiento giratorio, lo que podría provocar lesiones graves o incluso mortales.

### Fuerza reactiva

Una fuerza reactiva está siempre presente durante el corte. La fuerza tira del producto en dirección contraria al sentido de rotación de la cuchilla. La mayoría de las veces, esta fuerza es insignificante. Si el disco se

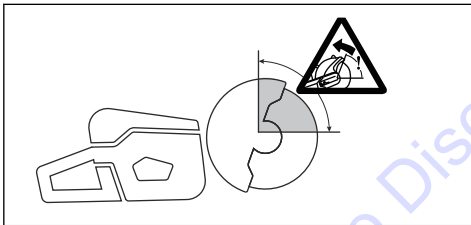
atasca o se engancha, la fuerza reactiva será considerable y podría no ser capaz de controlar la cortadora.



Nunca mueva el producto cuando el equipo de corte se encuentre girando. Las fuerzas giroscópicas pueden obstaculizar el movimiento específico

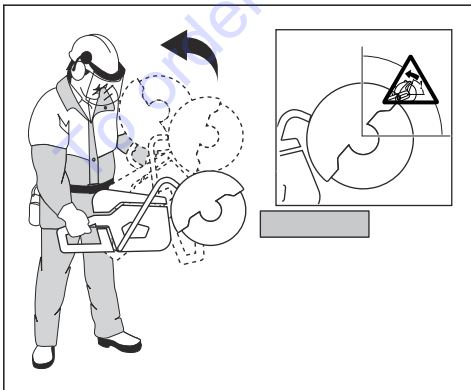
### Sector de riesgo de reculada

Nunca utilice el sector de riesgo de reculada de la cuchilla para el corte. Si la cuchilla se atasca o se engancha en el sector de riesgo de reculada, la fuerza reactiva empujará la cortadora hacia arriba y hacia atrás en dirección al usuario en un movimiento giratorio, provocando lesiones graves o mortales.



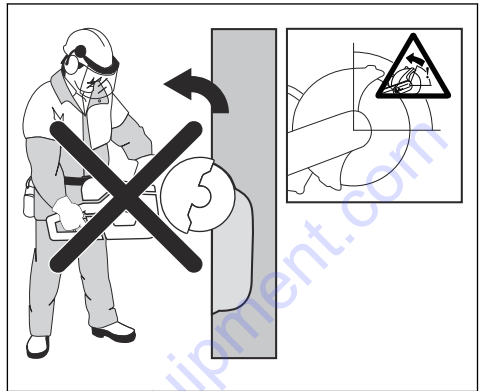
### Reculada giratoria

Una reculada giratoria se produce cuando el disco de corte no se mueve libremente en el sector de riesgo de reculada.



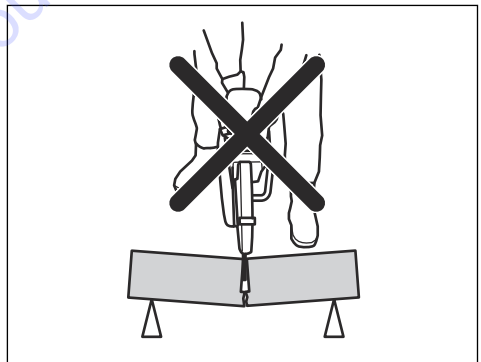
### Reculada ascendente

Si se utiliza el sector de riesgo de reculada para cortar, la fuerza reactiva causa que la cuchilla suba durante el corte. No utilice el sector de riesgo de reculada. Use el cuadrante inferior de la cuchilla para evitar la reculada ascendente.



### Reculada de compresión

Una compresión ocurre cuando el corte se cierra y comprime la cuchilla. Si la cuchilla se atasca o se engancha, la fuerza reactiva será considerable y podría no ser capaz de controlar la cortadora.



Si la cuchilla se atasca o se engancha en el sector de riesgo de reculada, la fuerza reactiva empujará la cortadora hacia arriba y hacia atrás en dirección al usuario en un movimiento giratorio, provocando lesiones graves o mortales. Preste atención al posible movimiento de la pieza de trabajo. Si la pieza de trabajo no está correctamente sujeta y se mueve durante el corte, podría apretar el disco y provocar una reculada.

### Corte de tuberías

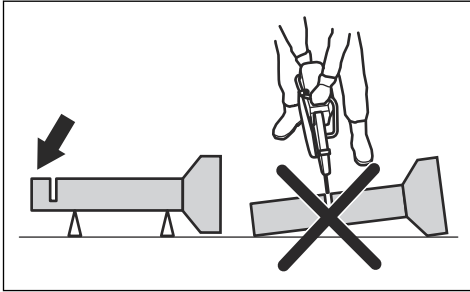
Se debe tener especial cuidado al cortar las tuberías. Si la tubería no está sujeta correctamente y el corte se mantiene abierto durante toda la operación de corte, la cuchilla se puede atascar. Tenga especial cuidado



cuando corte una tubería con un extremo acampanado o una tubería dentro de una zanja, ya que si no está sujeta correctamente, podría hundirse y comprimir la cuchilla.

Si se permite que la tubería se caiga y cierre el corte, el disco se apretará en el área de reculada y podría producirse una reculada grave. Si la tubería está sujeta correctamente, el extremo de la tubería se moverá hacia abajo, se abrirá el corte y no se producirá ningún atascamiento.

Asegure la tubería para que no se mueva ni gire durante el corte. Asegúrese de que el corte se abra para evitar el atascamiento de la cuchilla.



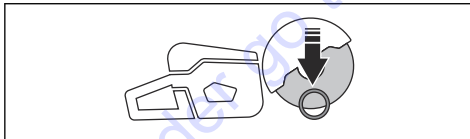
#### Para el corte de tuberías más pequeñas



**ADVERTENCIA:** Si la cuchilla se atasca en el sector de riesgo de reculada, puede provocar una reculada grave.

Si la tubería es más pequeña que la profundidad de corte máxima del producto, la operación de corte se puede realizar en 1 paso de arriba abajo.

- Corte la tubería de arriba abajo.



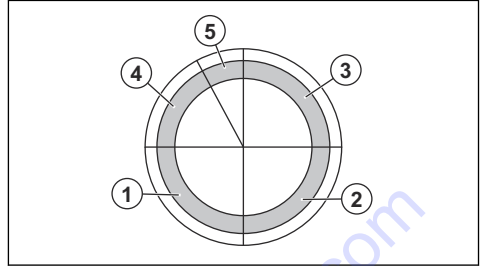
#### Para el corte de tuberías más grandes



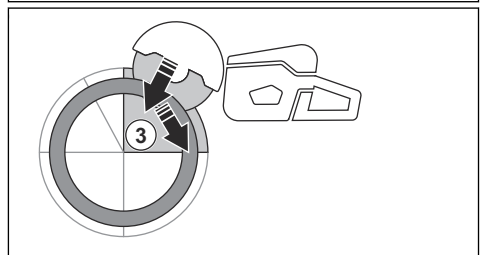
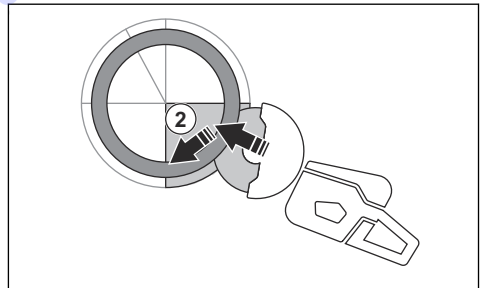
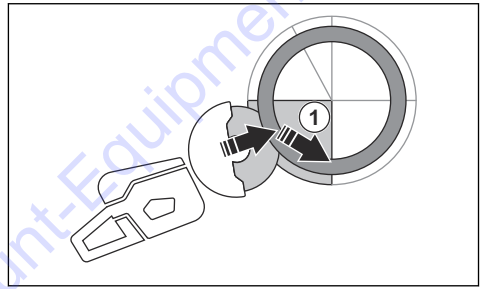
**ADVERTENCIA:** Si la cuchilla se comprime en el sector de riesgo de reculada, puede provocar una reculada grave.

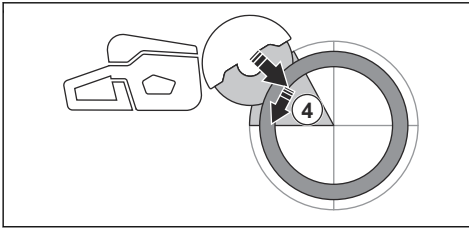
Si la tubería es más grande que la profundidad de corte máxima del producto y no se puede rodar, se debe dividir la operación de corte en 5 pasos.

- Divida la tubería en 5 secciones. Haga una marca en esas secciones y en una línea de corte. Corte una muesca de guía superficial alrededor de la tubería.

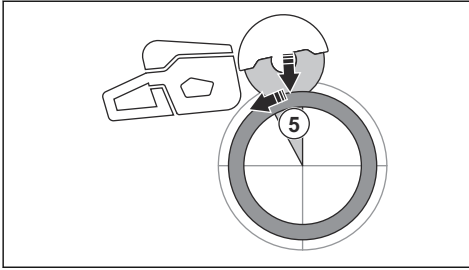


- Corte esas secciones en 5 pasos con las direcciones de corte que muestran las flechas en cada paso.



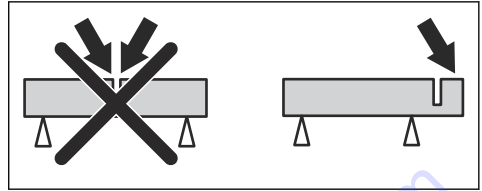


- Realice el último corte de separación desde la parte superior de la tubería tirando hacia atrás, sin incluir al cuadrante superior de la hoja. Ajuste la protección de la hoja a la posición completamente hacia delante para obtener la máxima protección.



**ADVERTENCIA:** Si la tubería está sostenida correctamente, no debe atascar la hoja cuando se separe en la sección 5. Sin embargo, tenga cuidado si la hoja se atasca durante la separación final. Si la hoja está atascada en la sección inferior, el producto puede salir hacia delante y alejarlo del operador, o más bien, dar como resultado una reculada giratoria.

- Apoye siempre la pieza de trabajo para que el corte se pueda mantener abierto durante el corte. Cuando el corte está abierto, no hay reculada. Si el corte se cierra y comprime la cuchilla, existe un riesgo de reculada.



## Técnicas básicas de trabajo



**ADVERTENCIA:** No tire el producto hacia un lado. Esto puede impedir el movimiento libre del disco de corte. El disco de corte puede romperse y causar lesiones graves al operador o a las personas que se encuentren cerca.



**ADVERTENCIA:** No afile con el costado del disco de corte. El disco de corte puede romperse y causar lesiones graves al operador o a las personas que se encuentren cerca. Utilice solo el borde cortante.



**ADVERTENCIA:** Compruebe que el disco de corte esté correctamente instalado y que no muestre señales de daños.



**ADVERTENCIA:** Antes de cortar en un corte existente realizado con un disco diferente, compruebe que la ranura no sea más delgada que el disco que se utilizará, ya que podría provocar que se atasque en la ranura de corte y cause una reculada.



**ADVERTENCIA:** Cortar metales genera chispas que podrían provocar un incendio. No utilice el producto cerca de sustancias o gases inflamables.

- El producto está fabricado para cortar con discos de corte abrasivos aglomerados o con discos de diamante hechos para productos portátiles de alta velocidad. No se debe utilizar el producto con otros tipos de disco, ni para otros tipos de corte.
- Compruebe que se esté utilizando el disco de corte adecuado para el material que se va a cortar. Consulte *Discos de corte aplicables en la página 49* para obtener instrucciones.
- No corte materiales de asbesto.

## Para evitar una reculada



**ADVERTENCIA:** Evite situaciones en las que existe riesgo de reculada. Tenga cuidado cuando utilice la cortadora y asegúrese de que el disco nunca se apriete en el sector de riesgo de reculada.



**ADVERTENCIA:** Tenga cuidado cuando ponga la cuchilla en un corte existente.

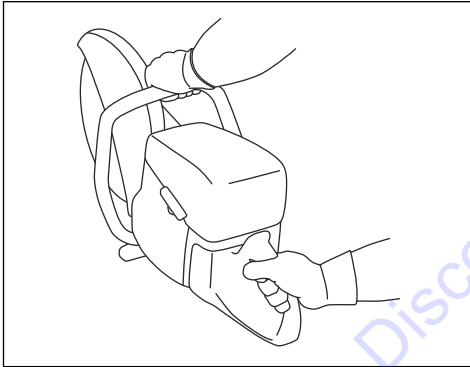


**ADVERTENCIA:** Asegúrese de que la pieza de trabajo no se pueda mover durante una operación de corte.

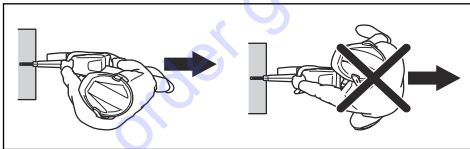


**ADVERTENCIA:** Solo usted y una técnica de trabajo adecuada pueden eliminar la reculada y sus peligros.

- Mantenga una distancia de seguridad con respecto al disco de corte cuando el motor esté en marcha. No intente detener un disco giratorio con alguna parte de su cuerpo. Tocar un disco giratorio, aunque el motor esté apagado, puede ocasionar lesiones graves o la muerte.
- El disco de corte sigue girando durante un tiempo después de que se suelta el acelerador. Asegúrese de que el disco de corte se haya detenido antes de mover o colocar en el piso el producto. Si es necesario detener rápidamente el disco de corte, deje que este toque ligeramente una superficie dura.
- No mueva el producto con el motor encendido.
- Sostenga el producto con ambas manos. Sostenga el producto firmemente con los pulgares y los dedos alrededor de las manijas de plástico con aislamiento. La mano derecha debe estar en el mango trasero y la mano izquierda en el mango delantero. Todos los operadores deben sostener el producto de este modo. No utilice la cortadora con una sola mano.

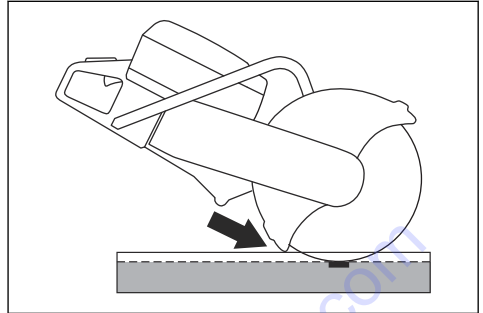


- Colóquese en paralelo al disco de corte. Evite permanecer de pie justo detrás. En el caso de una reculada, la sierra se moverá en el plano del disco de corte.

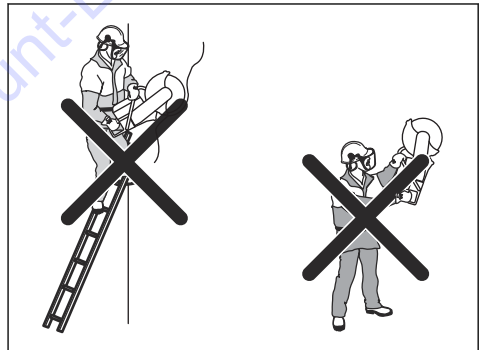


- No se aleje del producto cuando el motor esté en marcha. Antes de alejarse del producto, detenga el motor y asegúrese de que no exista riesgo de que se ponga en marcha de forma accidental.
- Utilice la manija de ajuste de la protección del disco para ajustar la sección trasera de la protección al ras con la pieza de trabajo. Las salpicaduras y chispas del material de corte son recolectadas por la protección y alejadas del usuario. Las protecciones

del equipo de corte deben estar siempre instaladas mientras el producto esté en marcha.

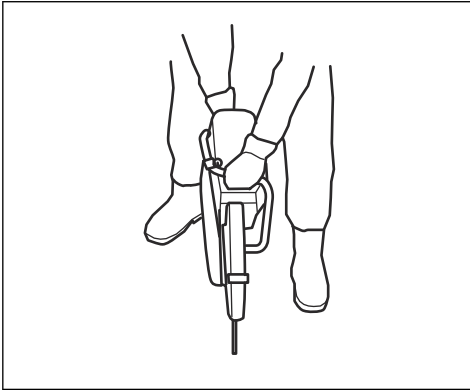


- Nunca utilice el sector de riesgo de reculada del disco para el corte. Consulte *Sector de riesgo de reculada* en la página 56 para obtener instrucciones.
- No utilice el producto antes de que el área de trabajo esté despejada y los pies y el cuerpo estén en una posición estable.
- No corte por encima de la altura de los hombros.
- No opere el equipo desde una escalera. Utilice una plataforma o un andamio si debe realizar un corte por encima de los hombros. No se estire demasiado.

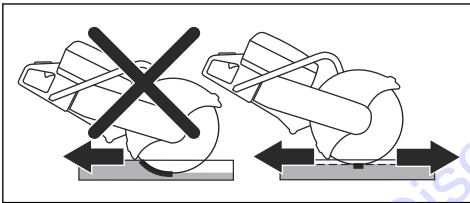


- Permanezca a una distancia cómoda de la pieza de trabajo.
- Asegúrese de que el disco de corte pueda moverse libremente cuando arranque el motor.
- Utilice el disco de corte con cuidado cuando funcione a velocidad de rotación alta (aceleración máxima). Mantenga el producto a máxima velocidad hasta finalizar el corte.
- Deje que el producto haga el trabajo. No empuje el disco de corte.

- Posicione el producto en forma descendente alineado con el disco. Si se ejerce presión desde un lado, se puede dañar el disco y es muy peligroso.



- Mueva el disco lentamente hacia delante y hacia atrás para obtener un área de contacto pequeña entre el disco y el material que se va a cortar. Esto disminuye la temperatura del disco y es una forma eficaz de cortar.



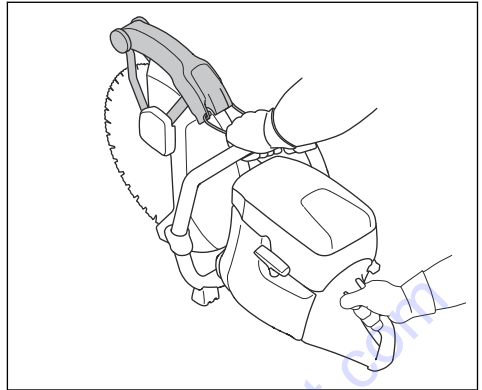
## Técnicas básicas de trabajo con el modelo K 970 SmartGuard



**ADVERTENCIA:** La función SmartGuard se desactiva si el sistema SmartGuard se retrae de manera manual. Retraiga el sistema SmartGuard de manera manual solo si es necesario y no existe un riesgo de reculada.

El sistema SmartGuard proporciona una mayor cobertura de la hoja. Esto reduce el riesgo de que toque la hoja en el caso de que se produzca una reculada.

- Puede retraer el sistema SmartGuard de manera manual con el manillar del sistema SmartGuard.
- Sujete el manillar del sistema SmartGuard con un dedo de la mano izquierda mientras el resto de los dedos sostienen el mango delantero al mismo tiempo.



## Para reducir el polvo durante el funcionamiento

El producto cuenta con un kit de corte húmedo para disminuir la presencia de polvo nocivo en el aire durante el funcionamiento. El kit de corte húmedo tiene un bajo consumo de agua.

- Cuando sea posible, utilice discos de corte húmedo con enfriamiento por agua. Consulte *Discos de corte en la página 49*.
- Ajuste el flujo de agua con la válvula. El flujo correcto es diferente para los distintos tipos de tareas.
- Asegúrese de que la presión del agua sea la correcta. Consulte *Datos técnicos en la página 73*. Si la manguera de agua se desprende de la fuente de suministro, la presión del agua suministrada puede ser demasiado alta.

## Combustible

Este producto tiene un motor de dos tiempos.



**PRECAUCIÓN:** Usar el tipo incorrecto de combustible puede causar daños en el motor. Utilice una mezcla de gasolina y de aceite para motores de dos tiempos.

## Aceite para motores de dos tiempos

- Para obtener los mejores resultados y el mejor rendimiento, utilice aceite para motores de dos tiempos HUSQVARNA.
- Si el aceite para motores de dos tiempos HUSQVARNA no está disponible, utilice un aceite para motores de dos tiempos de buena calidad para motores enfriados por aire. Contáctese con su concesionario de servicio para seleccionar el aceite correcto.



**PRECAUCIÓN:** No utilice aceite para motores de dos tiempos para motores fueraborda refrigerados por agua, también conocido como aceite para fueraborda. No utilice aceite para motores de cuatro tiempos.

### Combustible premezclado

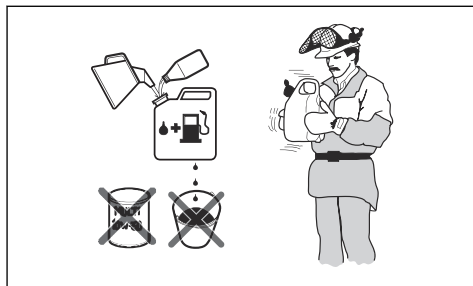
- Utilice combustible de alquilato premezclado HUSQVARNA para obtener el mejor rendimiento y prolongar la vida útil del motor. Este combustible contiene menos químicos dañinos en comparación con el combustible normal, lo cual disminuye los gases de escape dañinos. La cantidad de restos después de la combustión es menor con este combustible, que mantiene más limpios los componentes del motor.

### Para mezclar gasolina y aceite para motores de dos tiempos

Gasolina, litros	Aceite para motores de dos tiempos, litro
	<b>2 % (50:1)</b>
5	0,10
10	0,20
15	0,30
20	0,40
Galón estadounidense	Onza líquida EE. UU.
1	2 ½
2 1/2	6 ½
5	12 ¾



**PRECAUCIÓN:** Los errores pequeños pueden influir drásticamente en la proporción de la mezcla cuando se mezclan cantidades pequeñas de combustible. Mida cuidadosamente la cantidad de aceite y asegúrese de obtener la mezcla correcta.



- Llene la mitad de la cantidad de gasolina en un recipiente limpio para combustible.
- Agregue la cantidad total de aceite.
- Agite la mezcla de combustible.
- Agregue la cantidad restante de gasolina al recipiente.
- Agite cuidadosamente la mezcla de combustible.



**PRECAUCIÓN:** No mezcle el combustible durante más de 1 mes cada vez.

### Para agregar combustible



**PRECAUCIÓN:** No utilice gasolina con un octanaje inferior a 90 RON (87 AKI). Esto daña el producto.

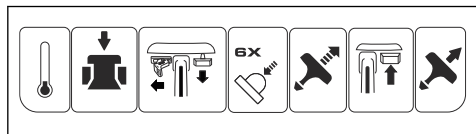


**PRECAUCIÓN:** No utilice gasolina con más de un 10 % de etanol concentrado (E10). Esto daña el producto.

**Nota:** En algunas condiciones, es necesario realizar el ajuste del carburador cuando se cambia el tipo de combustible.

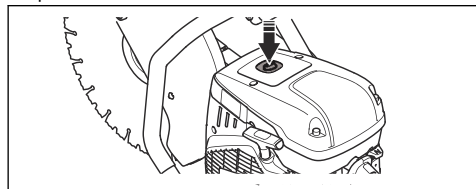
- Use gasolina con un octanaje superior si con frecuencia utiliza el producto a velocidades de motor continuamente altas.
- Abra lentamente la tapa del depósito de combustible para liberar la presión.
  - Llene lentamente con un bidón de combustible. Si derrama combustible, límpielo con un paño y deje que se sequen los restos.
  - Limpie el área alrededor del tapón del depósito de combustible.
  - Apriete bien la tapa del depósito de combustible. Si no aprieta la tapa del depósito de combustible, se genera un riesgo de incendio.
  - Mueva el producto a un mínimo de 3 m (10 pies) de la posición en la que se llenó el depósito antes de empezar a usarlo.

## Para arrancar el producto con el motor frío

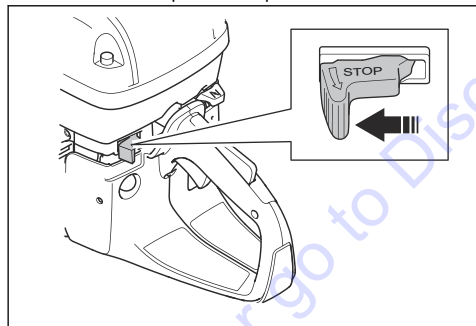


**ADVERTENCIA:** Asegúrese de que el disco de corte pueda girar libremente. Comienza a girar cuando el motor arranca.

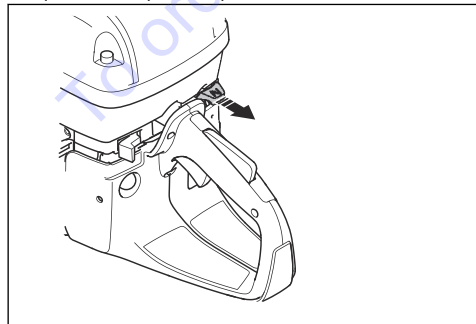
1. Presione la válvula de descompresión para reducir la presión en el cilindro. La válvula de descompresión vuelve a su posición inicial cuando el producto arranca.



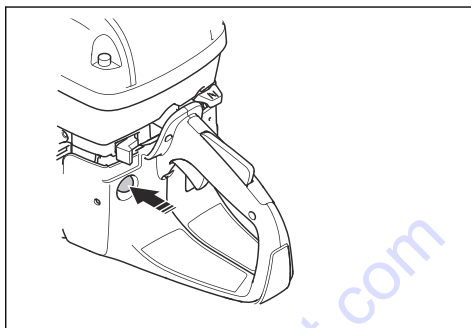
2. Asegúrese de que el interruptor de parada se encuentre en la posición izquierda.



3. Tire completamente del estrangulador a fin de quedar en la posición para iniciar el acelerador.



4. Empuje el bulbo de la bomba de combustible 6 veces hasta que se llene completamente con combustible.

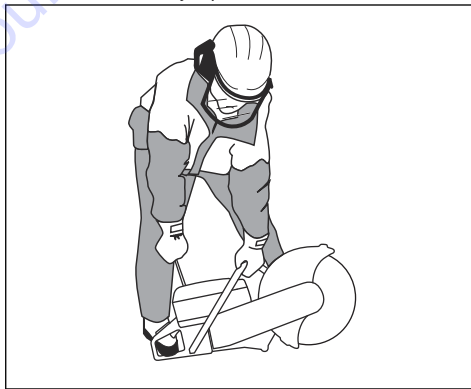


5. Sujete el mango delantero con la mano izquierda.
6. Coloque el pie derecho en la sección inferior del mango trasero para empujar el producto contra el suelo.



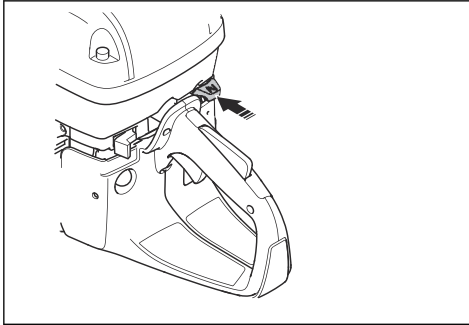
**ADVERTENCIA:** No se enrolle la cuerda de arranque en la mano.

7. Tire de la cuerda de arranque lentamente con la mano derecha hasta sentir una resistencia cuando los ganchos de arranque se activan. Luego, tire de manera continua y rápidamente.

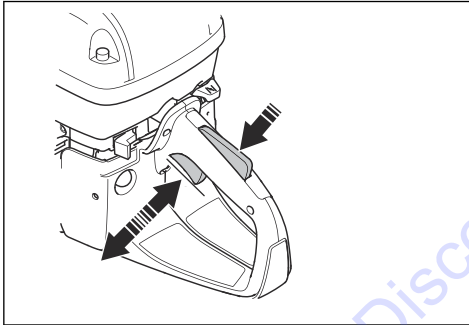


**PRECAUCIÓN:** No tire de la cuerda de arranque completamente y no suelte la empuñadura de la cuerda cuando esta esté totalmente extendida. Esto puede provocar daños al producto.

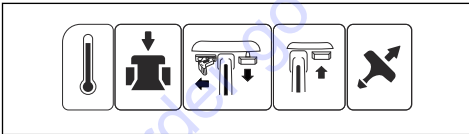
8. Presione el estrangulador cuando arranque el motor. Si el estrangulador se tira hacia fuera, el motor se detendrá al cabo de unos segundos. Si el motor se detiene, vuelva a tirar de la empuñadura de la cuerda de arranque.



9. Presione el acelerador para desacoplar el arranque y coloque el producto en régimen de ralentí.

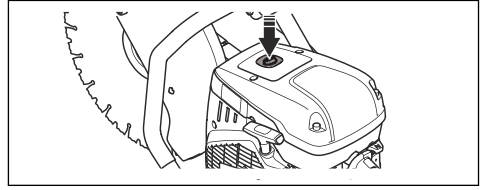


### Para arrancar el producto con el motor caliente

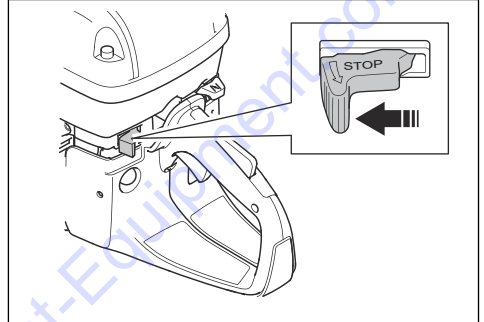


**ADVERTENCIA:** Asegúrese de que el disco de corte pueda girar libremente. Comienza a girar cuando el motor arranca.

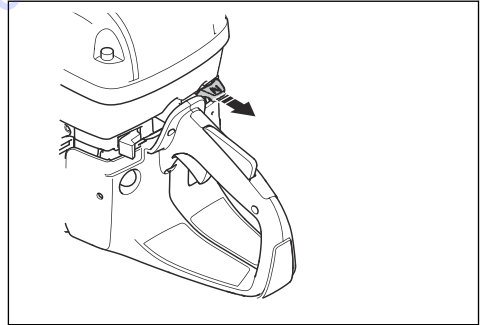
1. Presione la válvula de descompresión para reducir la presión en el cilindro. La válvula de descompresión vuelve a su posición inicial cuando el producto arranca.



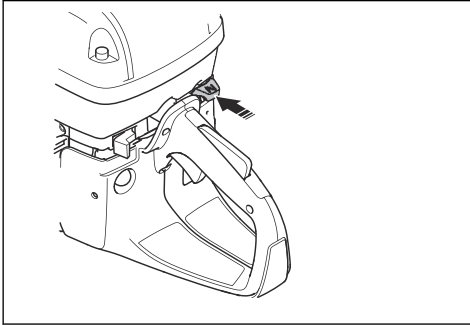
2. Asegúrese de que el interruptor de parada se encuentre en la posición izquierda.



3. Tire completamente del estrangulador a fin de quedar en la posición para iniciar el acelerador.



4. Presione el estrangulador para desactivarlo. El acelerador de arranque permanece en su posición.

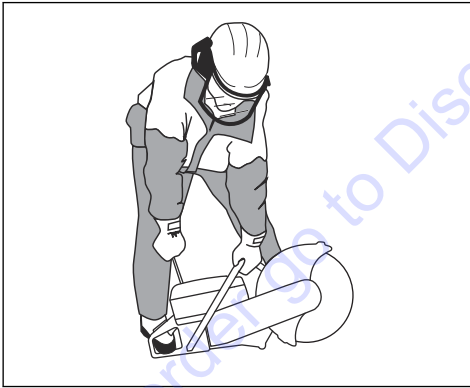


5. Sujete el mango delantero con la mano izquierda.  
6. Coloque el pie derecho en la sección inferior del mango trasero para empujar el producto contra el suelo.



**ADVERTENCIA:** No se enrolle la cuerda de arranque en la mano.

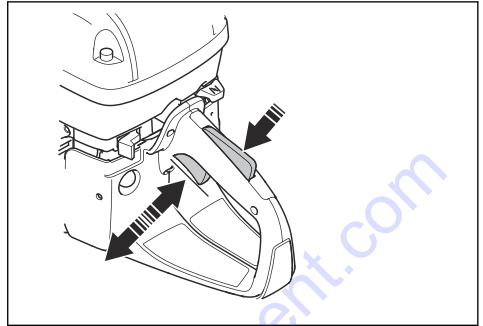
7. Tire de la cuerda de arranque lentamente hasta sentir una resistencia cuando los ganchos de arranque se activan. Luego, tire de manera continua y rápidamente.



**PRECAUCIÓN:** No tire de la cuerda de arranque completamente y no

suelte la empuñadura de la cuerda cuando esta esté totalmente extendida. Esto puede provocar daños al producto.

8. Presione el acelerador para desacoplar el arranque y coloque el producto en régimen de ralentí.

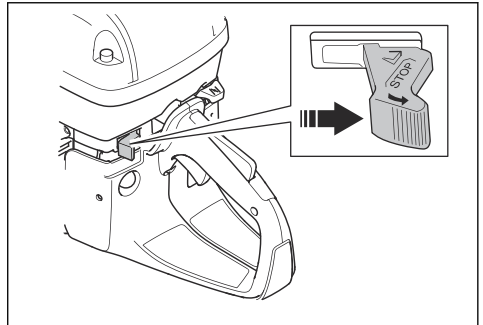


## Para detener la máquina



**ADVERTENCIA:** El disco de corte sigue girando durante un tiempo después de que el motor se detiene. Asegúrese de que el disco de corte pueda girar con libertad hasta que se haya detenido por completo. Si es necesario detener rápidamente el disco de corte, deje que este toque ligeramente una superficie dura. Riesgo de daños graves.

- Mueva el interruptor de detención a la derecha para detener el motor.



## Mantenimiento

### Introducción



**ADVERTENCIA:** Lea detenidamente el capítulo de seguridad antes de realizar mantenimiento en el producto.

Para todos los trabajos de mantenimiento y reparación del producto, se requiere capacitación especial. Garantizamos la disponibilidad de reparaciones y servicios profesionales. Si el concesionario no cuenta con un taller de servicio, pídale información acerca del taller de servicio más cercano.



Para obtener piezas de repuesto, consulte a su distribuidor o taller de servicio HUSQVARNA.

intervalos se calculan en función del uso diario del producto.

## Programa de mantenimiento

El programa de mantenimiento muestra el mantenimiento necesario para el producto. Los

	Diario	Una vez por semana	Una vez al mes	Anual-mente
<b>Limpiar</b>	Limpieza externa		Bujía	
	Toma de aire frío		Depósito de combustible	
<b>Inspección de función</b>	Inspección general	Sistema amortiguador de vibraciones*	Sistema de combustible	
	Fugas de combustible	Silenciador*	Filtro de aire	
	Sistema de suministro de agua	Correa de transmisión	Embrague	
	Fiador del acelerador*	Carburador		
	Interruptor de detención*	Cuerpo del mecanismo de arranque		
	Protección de la hoja y Smart-Guard*			
	Disco de corte**			
<b>Reemplácelo</b>				Filtro de combustible

\* Consulte *Dispositivos de seguridad en el producto en la página 46.*

\*\* Consulte *Discos de corte en la página 49.*

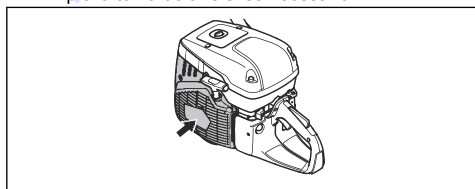
### Para limpiar por fuera

- Enjuague el producto por fuera con agua limpia después de cada día de funcionamiento. Si es necesario, utilice un cepillo.

### Para limpiar la toma de aire

**Nota:** Una toma de aire sucia o bloqueada hace que el producto se caliente demasiado. Esto puede producir daños en el pistón y el cilindro.

- Limpie la toma de aire si es necesario.



- Quite las obstrucciones, la suciedad y el polvo con un cepillo.

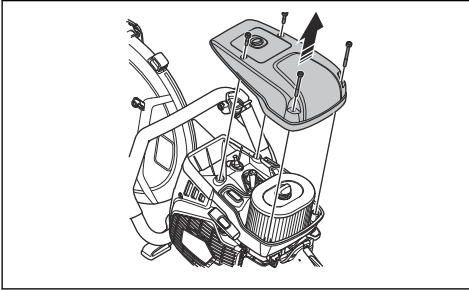
### Para examinar la bujía



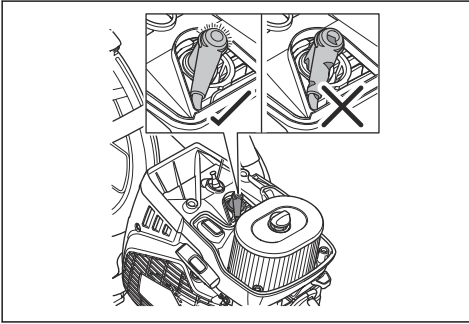
**PRECAUCIÓN:** Utilice siempre el tipo de bujía recomendada. Usar una bujía incorrecta puede causar daños en el pistón y en el cilindro. Para saber cuál es la bujía recomendada, consulte *Datos técnicos en la página 73.*

Examine la bujía si el producto tiene poca potencia, si no se enciende fácilmente o si funciona insatisfactoriamente en régimen de ralentí.

1. Afloje los 4 tornillos y retire la cubierta del filtro de aire.

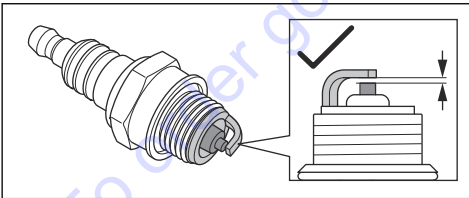


2. Asegúrese de que el sombrero de bujía y el cable de encendido no estén dañados.

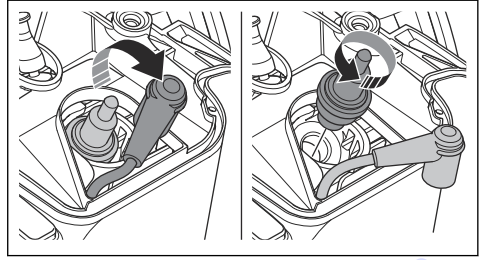


**ADVERTENCIA:** Un sombrero de bujía y un cable de encendido dañados pueden provocar sacudidas eléctricas.

3. Limpie la bujía si está sucia.
4. Asegúrese de que la distancia entre los electrodos sea de 0,5 mm.



5. Si es necesario, reemplace la bujía.



## Para hacer una inspección general

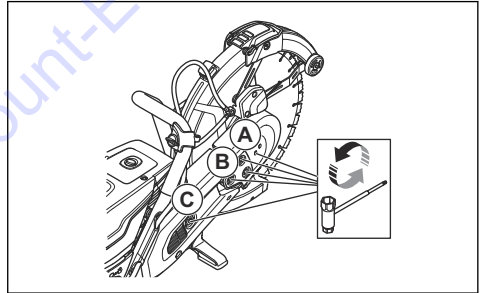
- Asegúrese de que todas las tuercas y los tornillos del producto estén apretados de forma adecuada.

## Para reemplazar la correa de transmisión



**ADVERTENCIA:** No arranque el producto sin todas las protecciones y cubiertas instaladas.

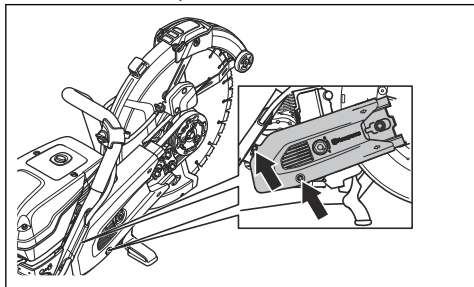
1. Afloje el tornillo (A).



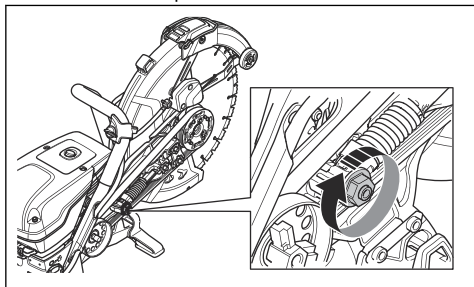
**Nota:** Este paso solo se aplica al modelo K 970 III 400mm/16in..

2. Afloje las 3 tuercas del cabezal de corte (B) y gire el tensor de la correa (C) a la posición "0".
3. Retire la protección de la correa delantera.

4. Retire los 2 tornillos en la protección de la correa trasera. Retire la protección de la correa trasera.



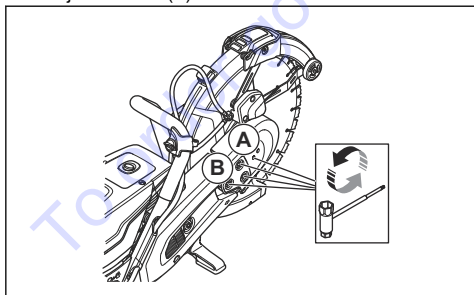
5. Reemplace la correa de transmisión. Gire el tensor de la correa a la posición "1".



6. Instale las 2 protecciones de la correa en orden inverso.
7. Ajuste la tensión en la correa de transmisión. Consulte *Para ajustar la tensión de la correa de transmisión en la página 67.*

### Para ajustar la tensión de la correa de transmisión

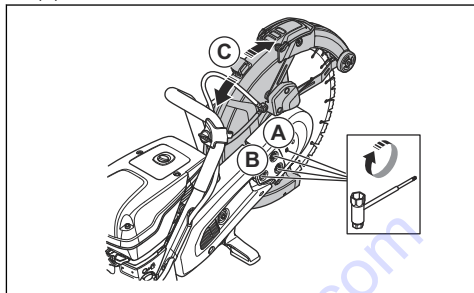
1. Afloje el tornillo (A).



**Nota:** Este paso solo se aplica al modelo K 970 III 400mm/16in..

2. Afloje las 3 tuercas (B).

3. Sacuda la protección de la hoja (C) hacia arriba y hacia abajo entre 3 y 5 veces. Apriete las 3 tuercas (B).



4. Apriete el tornillo (A).

**Nota:** Este paso solo se aplica al modelo K 970 III 400mm/16in..

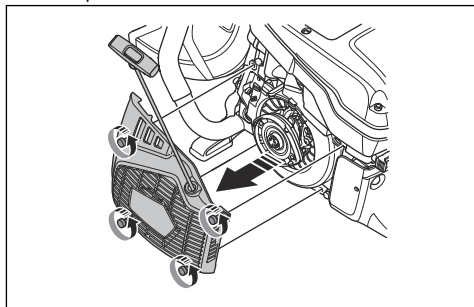
### Cuerpo del mecanismo de arranque



**ADVERTENCIA:** Siempre tenga cuidado y use protección ocular cuando sustituya el muelle de retorno o la cuerda de arranque. Hay tensión en el muelle de retorno cuando este se presenta enrollado en el cuerpo del mecanismo de arranque. El muelle de retorno puede salir expulsado y causar lesiones.

### Para retirar el cuerpo del mecanismo de arranque

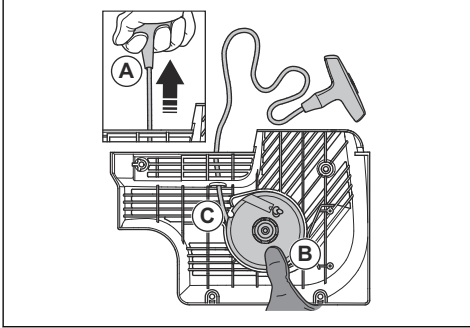
1. Afloje los 4 tornillos en el cuerpo del mecanismo de arranque.



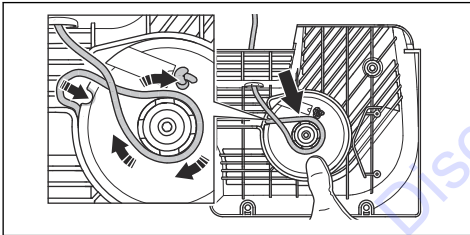
2. Retire el cuerpo del mecanismo de arranque.

## Para cambiar una cuerda de arranque dañada

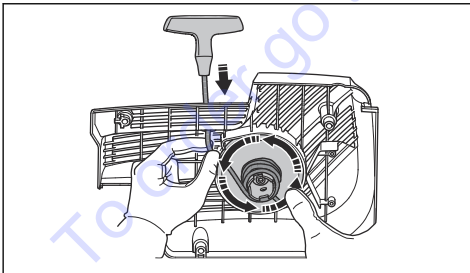
1. Tire de la cuerda de arranque aproximadamente unos 30 cm (A).



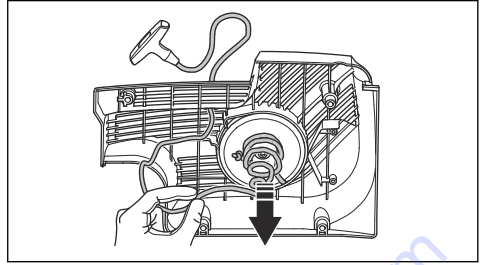
2. Sujete la polea de la cuerda de arranque (B) con el pulgar.
3. Coloque la cuerda de arranque en la ranura (C) de la polea.
4. Coloque la cuerda de arranque alrededor del manguito metálico.



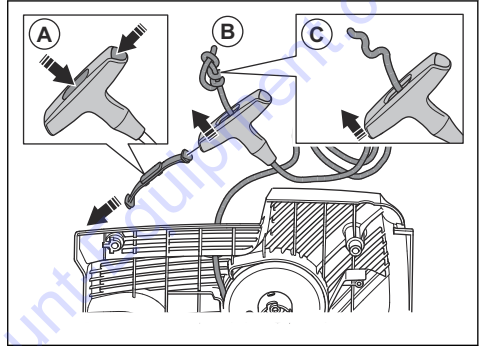
5. Deje que la polea gire lentamente y que la cuerda de arranque se enrolle en el manguito metálico.



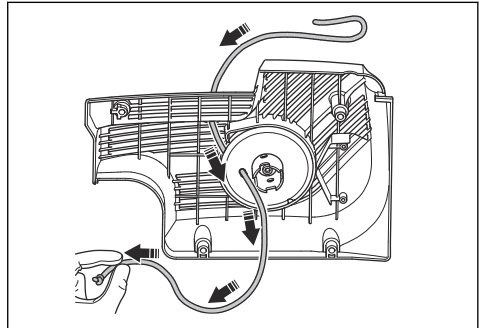
6. Tire de la cuerda de arranque para liberarla del manguito metálico.



7. Quite la cubierta de la manija de la cuerda de arranque (A).

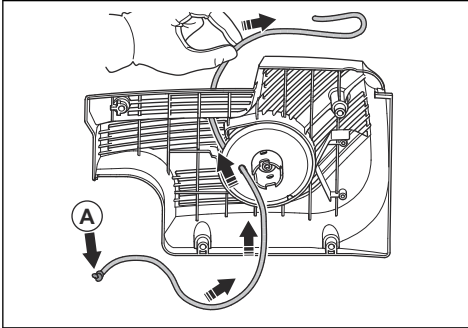


8. Tire de la cuerda de arranque hacia arriba a través de la manija (B).
9. Suelte el nudo (C).
10. Quite la cuerda de arranque.

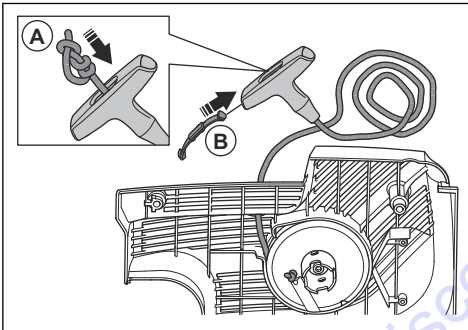


11. Asegúrese de que el muelle de retorno se encuentre limpio y que no esté dañado.

12. Coloque una nueva cuerda de arranque (A) en el orificio del cuerpo del mecanismo de arranque.



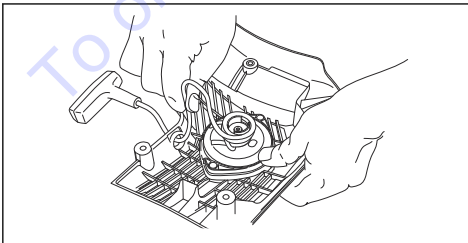
13. Tire de la cuerda de arranque a través de su manija y haga un nudo en el extremo de la cuerda de arranque (A).



14. Conecte la cubierta a la manija de la cuerda de arranque (B).
15. Ajuste la tensión del muelle de retorno. Consulte *Para ajustar la tensión del muelle de retorno en la página 69.*

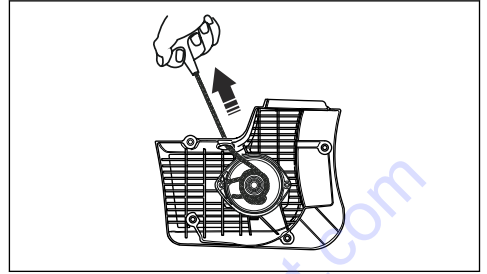
## Para ajustar la tensión del muelle de retorno

1. Pase la cuerda por la abertura de la polea. Enrolle la cuerda dando 3 vueltas hacia la derecha alrededor del centro de la polea.



2. Tire la manija de arranque para ajustar la tensión del muelle de retorno.

3. Pase la cuerda por la abertura de la polea. Enrolle la cuerda dando 4 vueltas hacia la derecha alrededor del centro de la polea.
4. Tire la manija de arranque para ajustar la tensión del muelle de retorno.



**Nota:** La manija de arranque se mueve a su posición después de ajustar la tensión.

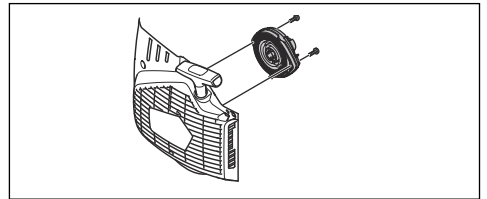
5. Saque la cuerda de arranque en su totalidad y asegúrese de que el muelle de retorno no se encuentre en su posición final. Gire la polea lentamente con el pulgar.
6. Asegúrese de que la polea se pueda girar a una media vuelta o más antes de que el muelle de retorno detenga los movimientos.

## Para retirar el montaje del muelle



**ADVERTENCIA:** Utilice siempre protección ocular cuando retire el montaje del resorte. Existe un riesgo de lesión ocular, especialmente si hay un resorte roto.

1. Retire los dos tornillos en el montaje del muelle.



2. Empuje los 2 soportes en los bloqueos rápidos con un destornillador.

## Para limpiar el montaje del muelle



**PRECAUCIÓN:** No retire el montaje del muelle.

1. Sople el resorte con aire comprimido hasta que esté limpio.
2. Aplique una pequeña cantidad de aceite en el resorte.

## Para fijar el montaje del muelle

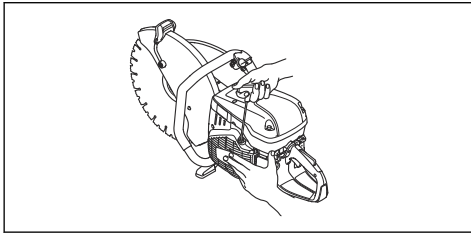
- Monte en la secuencia opuesta de *Para retirar el montaje del muelle en la página 69*.

## Para instalar el cuerpo del mecanismo de arranque



**PRECAUCIÓN:** Los ganchos de arranque deben entrar en la posición correcta contra el manguito de la polea.

1. Coloque el cuerpo del mecanismo de arranque contra el producto.
2. Tire la cuerda de arranque y suéltela de manera gradual hasta que la polea se acople con los ganchos de arranque.



3. Apriete los 4 tornillos en el cuerpo del mecanismo de arranque.

## Para examinar el carburador

**Nota:** El carburador tiene agujas rígidas para asegurarse de que el producto reciba siempre la mezcla adecuada de combustible y aire.

1. Examine el filtro de aire. Consulte *Para examinar el filtro de aire en la página 70*.
2. Si es necesario, reemplace el filtro de aire.
3. Si el motor sigue disminuyendo la potencia o la velocidad, comuníquese con su taller de servicio de HUSQVARNA.

## Para examinar el sistema de combustible

1. Asegúrese de que la tapa del depósito de combustible y su sello no estén dañados.
2. Examine la manguera de combustible. Reemplace la manguera de combustible si se encuentra dañada.

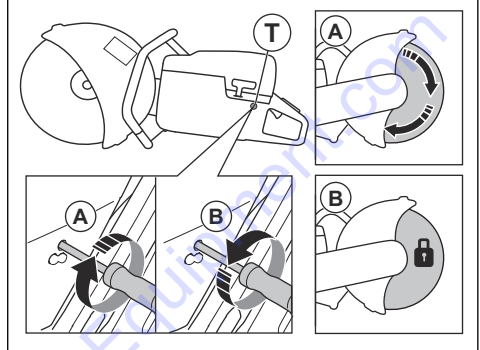
## Para ajustar el régimen de ralentí



**ADVERTENCIA:** Si el disco de corte gira en régimen de ralentí, comuníquese con su taller de servicio. No utilice el producto hasta que el régimen de ralentí esté correctamente ajustado o reparado.

**Nota:** Para obtener información sobre el régimen de ralentí recomendado, consulte *Datos técnicos en la página 73*.

1. Arranque el motor.
2. Examine el régimen de ralentí. Cuando el carburador esté correctamente ajustado, el disco de corte se detiene cuando el motor se encuentra en régimen de ralentí.
3. Utilice el tornillo T para ajustar el régimen de ralentí.



- a) Gire el tornillo hacia la derecha hasta que el disco comience a girar (A).
- b) Gire el tornillo hacia la izquierda hasta que el disco deje de girar (B).

## Filtro de combustible

El filtro de combustible se encuentra instalado en el depósito de combustible. El filtro de combustible evita la contaminación del depósito de combustible cuando este se encuentra lleno. El filtro de combustible debe cambiarse cada año o más a menudo si se encuentra obstruido.



**PRECAUCIÓN:** No limpie el filtro de combustible.

## Para examinar el filtro de aire

**Nota:** Examine el filtro de aire solo si la potencia del motor disminuye.



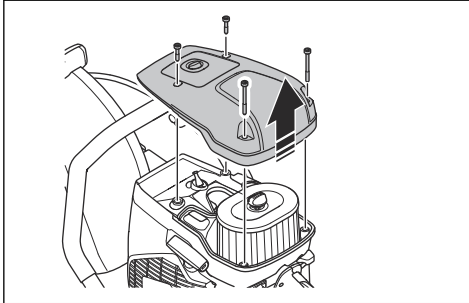
**PRECAUCIÓN:** Tenga cuidado cuando quite el filtro de aire. Las partículas que caen en la entrada del carburador pueden causar daños.



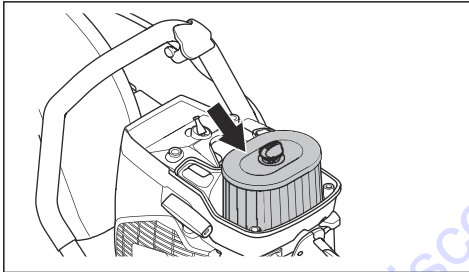
**ADVERTENCIA:** Utilice una protección respiratoria aprobada cuando reemplace el filtro de aire. El polvo del filtro

de aire es peligroso para la salud. Deseche correctamente los filtros de aire usados.

1. Afloje los 4 tornillos que se encuentran en la cubierta del filtro de aire.
2. Quite la cubierta del filtro de aire.



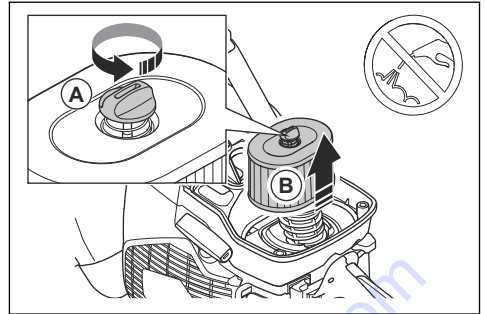
3. Examine el filtro de aire y cámbielo si fuese necesario.



**PRECAUCIÓN:** No limpie el filtro de aire ni utilice aire comprimido en él. Esto dañará el filtro de aire.

4. Reemplace el filtro de aire si es necesario.

- a) Afloje el tornillo (A) y retire el filtro de aire (B).

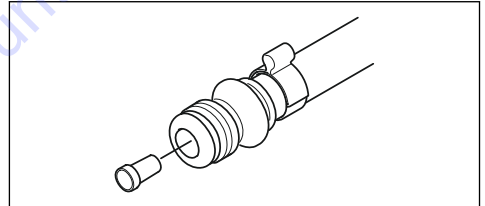


- b) Instale el filtro de aire.

5. Instale la cubierta del filtro de aire y apriete los 4 tornillos.

## Para comprobar el sistema de suministro de agua

1. Examine las boquillas de la protección del disco y asegúrese de que no estén obstruidas.
2. Límpielo según sea necesario.
3. Examine el filtro del conector de agua. Asegúrese de que no esté obstruido.
4. Límpielo según sea necesario.



5. Inspeccione las mangueras y asegúrese de que no estén dañadas.

## Solución de problemas

Problema	Causa	Posibles soluciones
El producto no arranca.	El procedimiento de arranque se realiza de forma incorrecta.	Consulte <i>Para arrancar el producto con el motor frío en la página 62 y Para arrancar el producto con el motor caliente en la página 63.</i>
	El interruptor de detención en la posición correcta STOP (DETENER).	Asegúrese de que el interruptor de detención, STOP (DETENER), esté en la posición izquierda.
	No hay combustible en el depósito de combustible.	Llénelo con combustible.
	La bujía está defectuosa.	Reemplace la bujía.
	El embrague está defectuoso.	Comuníquese con su agente de servicio.
El disco de corte gira en régimen de ralentí.	El régimen de ralentí es demasiado alto.	Ajuste el régimen de ralentí.
	El embrague está defectuoso.	Comuníquese con su agente de servicio.
El disco de corte no gira cuando el operador acelera.	La correa está demasiado suelta o se encuentra defectuosa.	Apriete la correa o cámbiela por una nueva.
	El embrague está defectuoso.	Comuníquese con su agente de servicio.
	El disco de corte se encuentra instalado de forma incorrecta.	Asegúrese de que el disco de corte se encuentre correctamente instalado.
El producto no se enciende cuando el operador intenta realizar la aceleración.	El filtro de aire está obstruido.	Examine el filtro de aire. Si es necesario, cámbielo.
	El filtro de combustible está obstruido.	Reemplace el filtro de combustible.
	El flujo del depósito de combustible está obstruido.	Comuníquese con su agente de servicio.
Los niveles de vibración son demasiado altos.	El disco de corte se encuentra instalado de forma incorrecta.	Asegúrese de que el disco de corte se encuentre correctamente instalado y que no esté dañado. Consulte <i>Para instalar el disco de corte en la página 53.</i>
	El disco de corte se encuentra defectuoso.	Reemplace el disco de corte y asegúrese de que no esté dañado.
	Un amortiguador de vibraciones se encuentra defectuoso.	Comuníquese con su agente de servicio.
La temperatura del producto es demasiado alta.	La toma de aire o las aletas del cilindro están obstruidas.	Limpie la toma de aire y las aletas del cilindro.
	La tensión de la correa de transmisión es insuficiente.	Examine la correa. Ajuste la tensión.
	El embrague está defectuoso.	Corte siempre en aceleración máxima.
Examine el embrague. Comuníquese con su agente de servicio.		



Problema	Causa	Posibles soluciones
El motor disminuye su potencia o velocidad.	El filtro de aire está obstruido.	Examine el filtro de aire. Consulte <i>Para examinar el filtro de aire en la página 70.</i>
Se produce demasiado polvo durante el funcionamiento. Puede ver polvo en el aire.	El suministro o la presión del agua no son suficientes.	Compruebe el suministro de agua que va hacia el producto.
		Consulte <i>Para comprobar el sistema de suministro de agua en la página 71.</i>
El sistema SmartGuard no se mueve libremente.	Las piezas móviles del sistema SmartGuard están obstruidas.	Limpie las piezas móviles.
El sistema SmartGuard no se retrae cuando se retira el producto de la pieza de trabajo.	Los resortes del sistema SmartGuard no funcionan de manera correcta.	Verifique los resortes. Limpie los resortes.

## Transporte, almacenamiento y eliminación de residuos

### Transporte y almacenamiento

- Asegure bien el producto durante el transporte para evitar daños y accidentes.
- Quite el disco de corte antes de almacenar o transportar el producto.
- Mantenga el producto en un área cerrada para evitar que los niños u otras personas sin autorización puedan acceder a él.
- Mantenga los discos de corte en un lugar seco y no expuesto al frío.
- Examine los discos nuevos y usados para comprobar que no se hayan dañado durante el transporte y el almacenamiento antes del montaje.
- Limpie y realice el mantenimiento del producto antes de guardarlo. Consulte *Programa de mantenimiento en la página 65.*

- Vacíe el combustible del depósito de combustible antes de realizar un almacenaje a largo plazo.

### Eliminación

- Obedezca las regulaciones vigentes y requisitos de reciclaje locales.
- Deseche todos los productos químicos, como combustible o aceite, en un centro de servicio o en un sitio adecuado para tal propósito.
- Cuando el producto se deja de utilizar, envíelo a un distribuidor de HUSQVARNA o deséchelo en un sitio de reciclaje.

## Datos técnicos

### Datos técnicos

	K 970 III, K 970 III Rescue	K 970 SmartGuard
Cilindrada, cm <sup>3</sup> /pulg. cúb.	93,6/5,7	93,6/5,7
Diámetro de cilindro, mm/pulg.	56/2,2	56/2,2
Longitud de recorrido, mm/pulg.	38/1,5	38/1,5
Régimen de ralentí, rpm	2700	2700
Acelerador completamente abierto, sin carga, rpm	9300 (+/- 150)	9300 (+/- 150)
Potencia, hp/kW a rpm	6,5/4,8 a 9000	6,5/4,8 a 9000
Bujía	NGK BPMR 7A	NGK BPMR 7A

	<b>K 970 III, K 970 III Rescuc</b>	<b>K 970 SmartGuard</b>
Distancia entre los electrodos, mm/pulg.	0,5/0,02	0,5/0,02
Capacidad del depósito de combustible, l/onza líquida de EE. UU.	1/33,8	1/33,8
Presión recomendada del agua, bares/PSI	0,5-10/7-150	0,5-10/7-150
<b>Peso</b>		
Cortadora sin combustible ni disco de corte de 350 mm/ 14 pulg., kg/lb*	11,0/24,3	11,9/26,2
* Correa de transporte de rescate, 0,9lb/0,4kg adicionales.		
Cortadora sin combustible ni disco de corte de 400 mm/16 pulg., kg/lb	11,6/24,6	12,7/28,0
<b>Eje, eje de salida</b>		
Velocidad máxima del eje con disco de corte de 350 mm/14 pulg., rpm	4700	4700
Velocidad máxima del eje con disco de corte de 400 mm/16 pulg., rpm	4300	4300
Velocidad periférica máxima, m/s o pies/min	90 o 18000	90 o 18000

### Dimensiones recomendadas del disco de corte

Díámetro del disco de corte, mm/pulg.	Profundidad de corte máx., mm/pulg	Clasificación de velocidad del disco, rpm	Clasificación de velocidad de la hoja, m/s o pies/min	Díámetro del orificio central de la hoja, mm/pulg	Grosor máx. de la hoja, mm/pulg
350/14	125/5	5500	100 o 19600	0,79/20 o 1/25,4	5/0,2
400/16	155/6	4775	100 o 19600	0,79/20 o 1/25,4	5/0,2

---

# Table des matières

---

Introduction.....	77	Dépannage.....	111
Sécurité.....	82	Transport, entreposage et mise au rebut.....	112
Montage.....	89	Caractéristiques techniques.....	112
Fonctionnement.....	95	Garantie.....	114
Entretien.....	104		

---

## Introduction

---

### Responsabilité du propriétaire

---



**AVERTISSEMENT :** Des opérations de coupe, de surfacage ou de perçage du béton ou de la pierre, particulièrement lorsque les conditions sont sèches, génèrent de la poussière qui contient souvent de la silice. La silice est un composant de base du sable, du quartz, de la brique d'argile, du granit et de nombreux autres pierres et minéraux. L'exposition à une quantité excessive de ces poussières peut entraîner :

une maladie respiratoire (réduisant la capacité à respirer), notamment la bronchite chronique, la silicose et la fibrose pulmonaire causée par l'exposition à la silice. Ces maladies peuvent être fatales;

Des irritations et éruptions cutanées.

Le cancer, selon le NTP (National Toxicology Program) et le CIRC (Centre international de Recherche sur le Cancer).

Prendre les précautions suivantes :

Éviter l'inhalation et le contact cutané avec les poussières, brouillards et fumées.

Porter et veiller à ce que les personnes à proximité portent un dispositif de protection respiratoire approprié, tel un masque antipoussière filtrant les particules microscopiques. (Voir OSHA 29 CFR Part 1926.1153)

Pour réduire les émissions de poussières, utilisez de l'eau pour agglomérer, lorsque cela est possible.

---

Il est de la responsabilité du propriétaire ou de l'employeur de s'assurer que l'utilisateur possède les connaissances nécessaires pour manipuler le produit en toute sécurité. Les superviseurs et les utilisateurs doivent avoir lu et compris le manuel d'utilisation. Ils doivent être conscients des éléments suivants :

- Les consignes de sécurité relatives au produit.
- L'éventail d'applications du produit et ses limites.
- La manière dont le produit doit être utilisé et entretenu.

### Proposition 65 de la Californie



## ATTENTION!

Les émissions du moteur de cet outil contiennent des produits chimiques qui, d'après l'État de Californie, peuvent causer le cancer, des malformations congénitales ou autre danger pour la reproduction

### Description du produit

Ces découpeuses HUSQVARNA K 970 III, K 970 III Rescueet K 970 SmartGuard sont des machines à découper manuelles portables alimentées par des moteurs à combustion 2 temps.

### Utilisation prévue

Le produit est utilisé pour couper des matériaux durs comme le béton, la maçonnerie, la pierre et l'acier. Ne pas utiliser l'outil pour d'autres tâches. Le produit doit être utilisé uniquement par des opérateurs professionnels expérimentés.

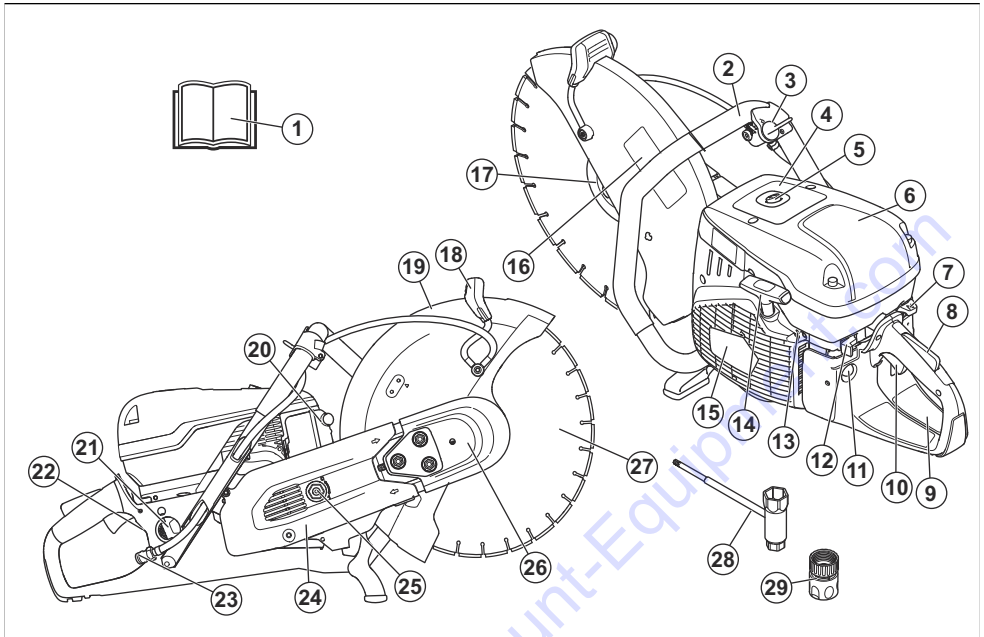
Le travail est constamment en cours pour augmenter votre sécurité et l'efficacité pendant l'utilisation. Pour obtenir de plus amples renseignements, communiquer avec votre centre de services.

---

**Remarque :** Les règlements locaux ou nationaux peuvent limiter l'utilisation de ce produit.

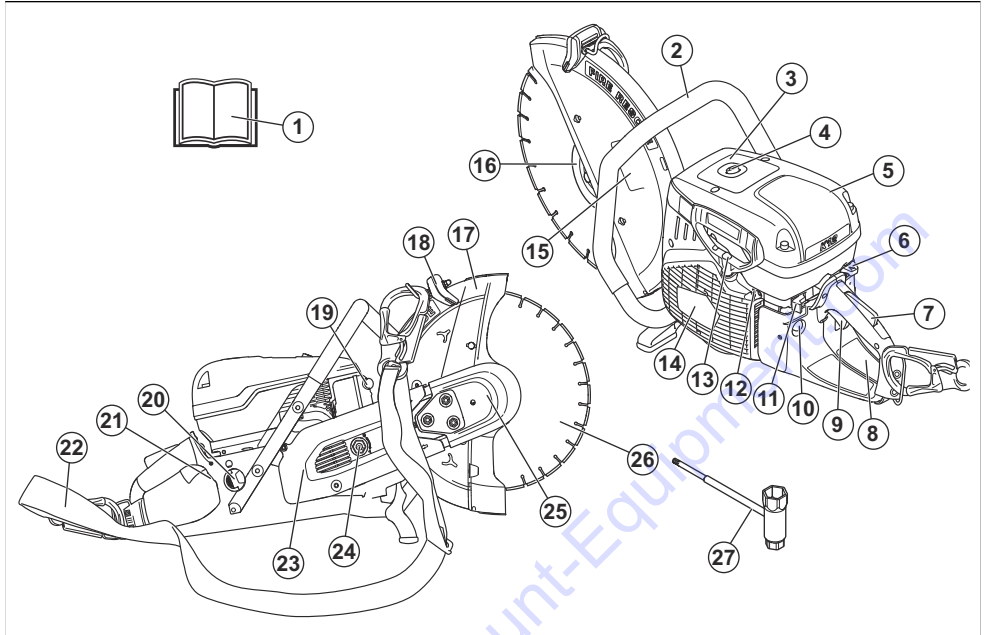
---

## Présentation du produit K 970 III



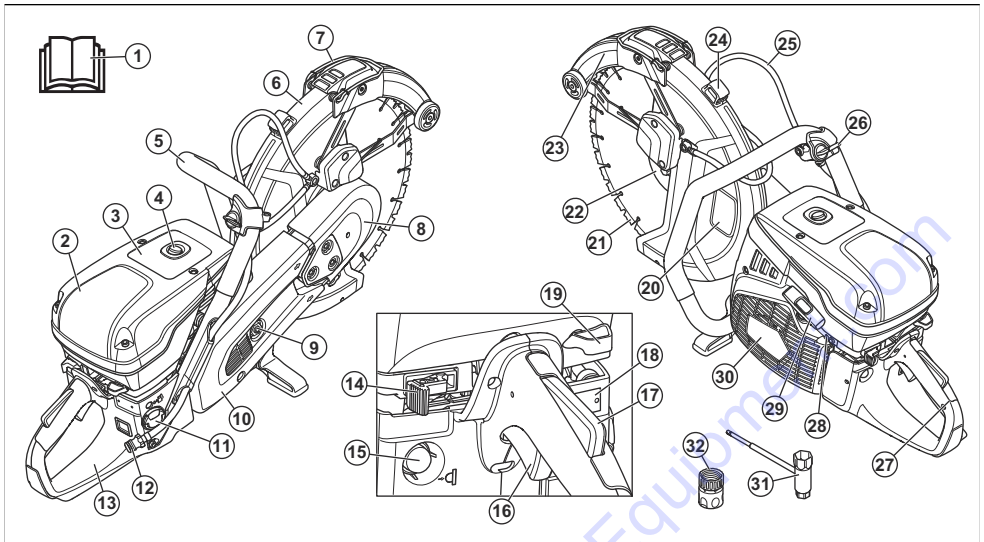
- |   |  |
|---|--|
| 1. Manuel d'utilisation                                     | 15. Corps du lanceur                     |
| 2. Poignée avant  | 16. Autocollant de l'équipement de coupe |
| 3. Valve d'eau  | 17. Bride, broche et bague de l'arbre    |
| 4. Autocollant d'avertissement                              | 18. Poignée de réglage du protège-lame   |
| 5. Décompresseur  | 19. Protège-lame                         |
| 6. Couvercle du filtre à air                                | 20. Silencieux                           |
| 7. Commande de l'étrangleur                                 | 21. Bouchon du réservoir de carburant    |
| 8. Dispositif de verrouillage de la gâchette d'accélération | 22. Plaque signalétique                  |
| 9. Autocollant d'instructions de démarrage                  | 23. Raccord d'eau avec filtre            |
| 10. Gâchette d'accélération                                 | 24. Protège-courroie arrière             |
| 11. Pompe de purge d'air                                    | 25. Tendeur de courroie                  |
| 12. Interrupteur d'arrêt                                    | 26. Protège-courroie avant               |
| 13. Vis en T, réglage du régime de ralenti                  | 27. Lame de coupe (non fournie)          |
| 14. Corde du lanceur  | 28. Clé à usages multiples               |
|   | 29. Raccord d'eau, GARDENA®              |

## Présentation du produit K 970 III Rescue



- |   |  |
|---|--|
| 1. Manuel d'utilisation                                     | 14. Corps du lanceur                     |
| 2. Poignée avant  | 15. Autocollant de l'équipement de coupe |
| 3. Autocollant d'avertissement                              | 16. Bride, broche et bague de l'arbre    |
| 4. Décompresseur  | 17. Protège-lame                         |
| 5. Couvercle du filtre à air                                | 18. Poignée de réglage du protège-lame   |
| 6. Commande de l'étrangleur                                 | 19. Silencieux                           |
| 7. Dispositif de verrouillage de la gâchette d'accélération | 20. Bouchon du réservoir de carburant    |
| 8. Autocollant d'instructions de démarrage                  | 21. Plaque signalétique                  |
| 9. Gâchette d'accélération                                  | 22. Courroie d'épaule                    |
| 10. Pompe de purge d'air                                    | 23. Protège-courroie arrière             |
| 11. Interrupteur d'arrêt                                    | 24. Tendeur de courroie                  |
| 12. Vis en T, réglage du régime de ralenti                  | 25. Protège-courroie avant               |
| 13. Corde du lanceur  | 26. Lame de coupe (non fournie)          |
|   | 27. Clé à usages multiples               |

## Présentation du produit K 970 SmartGuard



1. Manuel d'utilisation
2. Couverture du filtre à air
3. Autocollant d'avertissement
4. Décompresseur
5. Poignée avant
6. Protège-lame
7. Poignée SmartGuard
8. Protège-courroie avant
9. Tendeur de courroie
10. Protège-courroie arrière
11. Bouchon du réservoir de carburant
12. Raccord d'eau avec filtre
13. Autocollant d'instructions de démarrage
14. Interrupteur d'arrêt
15. Pompe de purge d'air
16. Gâchette d'accélération
17. Dispositif de verrouillage de la gâchette d'accélération
18. Plaque signalétique
19. Commande de l'étrangleur
20. Autocollant de l'équipement de coupe
21. Lame de coupe (non fournie)
22. Bride, broche et bague de l'arbre
23. SmartGuard
24. Poignée de réglage du protège-lame
25. Tuyau d'eau
26. Valve d'eau
27. Poignée arrière
28. Vis en T, réglage du régime de ralenti

29. Corde du lanceur
30. Corps du lanceur
31. Clé à usages multiples
32. Raccord d'eau GARDENA®

### Symboles figurant sur le produit



**AVERTISSEMENT!** Ce produit peut être dangereux et causer des blessures très graves, ou même mortelles, à l'utilisateur et à d'autres personnes. Faire attention et utiliser le produit correctement.



Lire soigneusement le manuel d'instructions et veiller à bien comprendre les directives avant d'utiliser cette machine.



Porter un casque de protection et des protecteurs d'oreille, des protections pour les yeux et une protection respiratoire homologués. Se reporter à *Équipement de protection personnelle* à la page 85.



De la poussière se forme lors de la découpe. La poussière peut occasionner des blessures si elle est inhalée. Utiliser une protection respiratoire adéquate. Éviter d'inhaler les gaz d'échappement. Toujours assurer une bonne ventilation.



**AVERTISSEMENT!** Les rebonds peuvent être soudains, rapides et violents et causer des blessures pouvant être mortelles. Lire et comprendre les instructions du manuel avant d'utiliser le produit. Se reporter à *Rebond à la page 95*.



Les étincelles provenant du disque découpeur peuvent provoquer un incendie dans le carburant, le bois, les vêtements, l'herbe sèche ou d'autres matériaux inflammables.



Assurez-vous que le disque découpeur ne présente pas de fissures ou d'autres dommages.



Ne pas utiliser des lames de scie circulaire



Volet de départ



Pompe de purge d'air



Décompresseur



Corde du lanceur



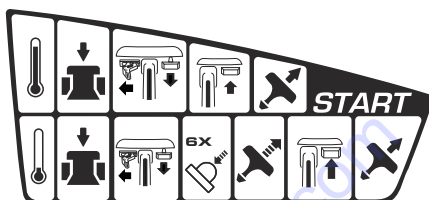
Utiliser un mélange d'essence e et d'huile.



Underwriters Laboratories Inc. (UL) a répertorié cette machine sous la mention UL conformément à la norme de sécurité ANSI B175.4 US.

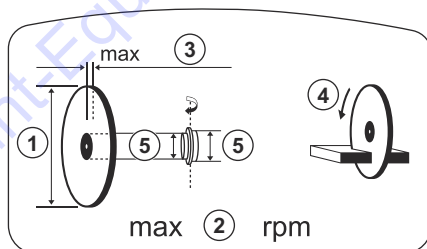
**Remarque :** Les autres symboles et autocollants apposés sur le produit se rapportent aux exigences en matière de certification pour certains marchés.

### Autocollant d'instructions de démarrage



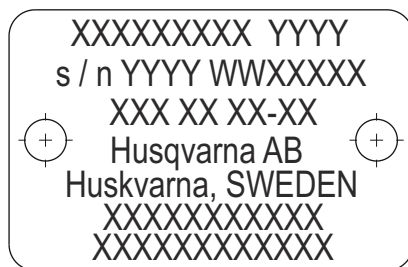
Se reporter à la section *Démarrage du produit quand le moteur est froid* à la page 101 et *Démarrage du produit quand le moteur est chaud* à la page 102 pour obtenir les instructions.

### Autocollant de l'équipement de coupe



1. Diamètre du disque découpeur
2. Régime max. de l'arbre sortant
3. Épaisseur max. du disque
4. Sens de rotation
5. Dimensions de la bague

### Plaque signalétique



Rangée 1 : Marque, modèle (X, Y)

Rangée 2 : N° de série avec date de fabrication (Y, W, Z) : Année, semaine, n° de séquence

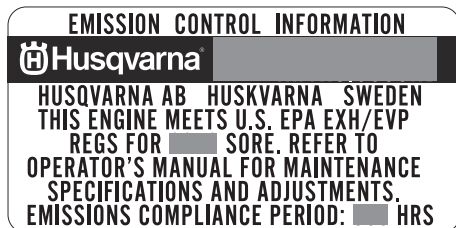
Rangée 3 : Numéro du produit (X)

Rangée 4 : Fabricant

Rangée 5 : Adresse du fabricant,

Rangées 6 à 7 : Homologation UE ou numéro MEIN chinois

## EPA



La période de conformité aux normes d'émissions indiquée sur les étiquettes de conformité aux normes d'émissions se rapporte au nombre d'heures de fonctionnement du moteur qui répond aux exigences fédérales en matière d'émissions. N'importe quel établissement ou agent de réparation de moteur non

roulier peut effectuer l'entretien, le remplacement et la réparation des dispositifs et du système de contrôle des émissions.

## CALIFORNIA AIR RESOURCES BOARD (CARB)

**Remarque :** Cette machine est considérée comme une application hors route exemptée des normes CARB. L'EPA des États-Unis est la seule habilitée à instaurer des normes antipollution visant l'équipement de construction exempté.

## Responsabilité concernant le produit

Comme indiqué dans les lois en vigueur sur la responsabilité concernant les produits, nous ne serons pas tenus responsables des dommages que notre produit causerait dans les situations suivantes :

- Le produit n'est pas réparé de façon adéquate.
- Le produit est réparé avec des pièces qui ne sont pas fournies ou homologuées par le fabricant.
- Le produit comprend un accessoire qui n'est pas fourni ou homologué par le fabricant.
- Le produit n'est pas réparé par un centre de service après-vente agréé ou par une autorité homologuée.

## Sécurité

### Définitions relatives à la sécurité

Les avertissements, recommandations et remarques soulignent des points du manuel qui revêtent une importance particulière.



**AVERTISSEMENT :** Indique la présence d'un risque de blessure ou de décès de l'utilisateur ou de personnes à proximité si les instructions du manuel ne sont pas suivies.



**MISE EN GARDE :** Indique la présence d'un risque de dommages au produit, à d'autres appareils ou à la zone adjacente si les instructions du manuel ne sont pas suivies.

**Remarque :** Utilisé pour donner des renseignements plus détaillés qui sont nécessaires dans une situation donnée.

### Consignes générales de sécurité



**AVERTISSEMENT :** Lire les messages d'avertissement qui suivent avant d'utiliser l'outil.

- Une découpeuse est un outil dangereux s'il est utilisé de manière incorrecte ou avec négligence, ce qui peut provoquer des blessures graves, voire mortelles. Il est très important de lire et de comprendre le contenu de ce manuel de l'opérateur. Il est recommandé que les utilisateurs qui se servent du produit pour la première fois obtiennent également des consignes pratiques avant de l'utiliser.
- Ne pas modifier ce produit. Toute modification non approuvée par le fabricant peut entraîner des blessures graves, voire mortelles.
- Ne pas utiliser le produit s'il est possible que d'autres personnes aient apporté des modifications à celui-ci.
- Toujours utiliser des accessoires et des pièces de rechange d'origine. Les accessoires et les pièces de rechange qui ne sont pas approuvés par le fabricant peuvent causer des blessures graves, voire mortelles.



- Toujours garder le produit propre. S'assurer de pouvoir lire clairement les signes et les autocollants.
- Ne jamais laisser des enfants ni des personnes n'ayant pas été formées à l'utilisation du produit l'utiliser ou l'entretenir.
- Ne pas laisser une personne utiliser le produit à moins qu'elle a lu et compris le contenu de ce manuel d'utilisation.
- Seules les personnes autorisées peuvent utiliser le produit.
- Ce produit génère un champ électromagnétique pendant le fonctionnement. Ce champ magnétique peut, dans certains cas, nuire aux implants médicaux actifs ou passifs. Pour réduire le risque de blessures graves ou mortelles, il est recommandé aux personnes ayant des implants médicaux de consulter leur médecin et le fabricant de l'implant médical avant d'utiliser le produit.
- Les renseignements contenus dans ce manuel de l'opérateur ne sont jamais destinés à remplacer les connaissances et expériences professionnelles. En cas d'appréhension, arrêter la machine et obtenir l'avis d'un expert. Communiquer avec votre centre de services. Ne pas tenter d'effectuer des tâches en cas de doute.

## Consignes de sécurité pour l'utilisation



**AVERTISSEMENT** : Lire les messages d'avertissement qui suivent avant d'utiliser l'appareil.

- Avant d'utiliser une découpeuse, il est essentiel de comprendre le phénomène de rebond et de savoir comment l'éviter. Se reporter à la section *Rebond à la page 95*.
- Effectuer les vérifications de sécurité, l'entretien et les réparations conformément aux instructions présentées dans le manuel de l'opérateur. Certains travaux d'entretien et de réparation doivent être effectués par un centre de service autorisé. Se reporter à la section *Introduction à la page 104*.
- Ne pas utiliser le produit s'il est défectueux.
- Ne pas utiliser le produit en cas de fatigue ou sous l'emprise de l'alcool, de drogues ou de médicaments. Ces conditions peuvent avoir des effets indésirables sur votre vision, votre attention, votre coordination des gestes ou votre jugement.
- Ne pas démarrer le produit sans la courroie et le protège-courroie installés. L'embrayage peut se défaire et causer des blessures.
- Les étincelles produites par le disque découpeur peuvent engendrer un incendie en cas de contact avec des matériaux combustibles tels que l'essence, le carburant, le bois, les vêtements et l'herbe sèche.
- Ne pas couper de matériau comportant de l'amiante.

## Sécurité de l'aire de travail



**AVERTISSEMENT** : Lire les messages d'avertissement qui suivent avant d'utiliser l'appareil.

- La distance de sécurité de la découpeuse est de 15 m/50 pi. S'assurer que les animaux et les personnes à proximité ne se trouvent pas dans la zone de travail.
- Ne pas utiliser le produit tant que la zone de travail n'est pas dégagée et que les pieds et le corps ne sont pas en position stable.
- Rester à l'affût des personnes, des objets et des situations susceptibles d'entraver l'utilisation sécuritaire du produit.
- S'assurer qu'aucune personne ni aucun objet ne peut entrer en contact avec l'équipement de coupe ou être heurté par des pièces projetées par la lame.
- Ne pas utiliser le produit dans le brouillard, la pluie, le vent violent, par temps froid, en cas de risque d'orage ou dans d'autres mauvaises conditions météorologiques. L'utilisation du produit par mauvais temps peut avoir un effet négatif sur votre vigilance. Le mauvais temps peut entraîner des conditions de travail dangereuses, comme des surfaces glissantes.
- Pendant l'utilisation du produit, s'assurer qu'aucun matériau ne risque de se détacher et de tomber et blesser l'opérateur.
- Faire très attention lors de l'utilisation du produit en pente.
- Maintenir la zone de travail propre et bien éclairée.
- Avant d'utiliser le produit, vérifier si la zone de travail contient des dangers cachés comme des câbles électriques, des conduites d'eau et de gaz et des substances inflammables. Si le produit heurte un objet caché, arrêter immédiatement le moteur et examiner le produit et l'objet. Ne pas redémarrer le produit avant de s'assurer de pouvoir continuer en toute sécurité.
- Avant de couper un tambour, un tuyau ou un autre contenant, s'assurer qu'il ne contient pas de matériaux inflammables ou d'autres matériaux susceptibles de provoquer un incendie ou une explosion.

## Sécurité en matière de vibrations



**AVERTISSEMENT** : Lire les messages d'avertissement qui suivent avant d'utiliser l'outil.

- Pendant le fonctionnement du produit, des vibrations sont transmises du produit à l'utilisateur. L'utilisation régulière et fréquente du produit peut provoquer ou augmenter les risques de blessures pour l'utilisateur. Des blessures peuvent se produire au niveau des doigts, des mains, des poignets, des bras, des

épaules et/ou des nerfs, ou d'autres parties du corps ou affecter l'apport sanguin. Les blessures peuvent être invalidantes et/ou permanentes et peuvent augmenter progressivement au fil des semaines, des mois ou des années. Les blessures possibles incluent des dommages au système de circulation sanguine, au système nerveux, aux articulations et à d'autres structures corporelles.

- Des symptômes peuvent apparaître pendant l'utilisation du produit ou à d'autres moments. Si l'utilisateur présente des symptômes et continue à utiliser le produit, les symptômes peuvent augmenter ou devenir permanents. Si ces symptômes ou d'autres symptômes apparaissent, consulter un médecin :
  - Engourdissement, perte de sensation, fourmillement, picotement, douleur, brûlure, boursofflure, raideur, sensation de lourdeur, perte de force, changements de couleur ou d'état de la peau.
- Les symptômes peuvent augmenter par temps froid. Porter des vêtements chauds et garder les mains au chaud et au sec lors de l'utilisation de l'outil dans des environnements froids.
- Procéder à l'entretien et à l'utilisation du produit comme indiqué dans le manuel d'utilisation pour maintenir les vibrations à un niveau acceptable.
- Le produit est doté d'un système d'amortissement des vibrations qui réduit les vibrations transmises à l'opérateur par les poignées. Laisser le produit faire le travail. Ne pas pousser le produit avec force. Tenir légèrement le produit par les poignées, mais s'assurer de le contrôler et de l'utiliser en toute sécurité. Ne pas pousser les poignées dans les butées plus que nécessaire.
- Garder les mains sur la ou les poignées uniquement. Garder toutes les autres parties du corps à l'écart du produit.
- Arrêter immédiatement le produit en cas de fortes vibrations soudaines. Ne pas poursuivre le sciage avant d'avoir éliminé la cause des vibrations accrues.
- La découpe du granit ou du béton dur provoque plus de vibrations dans le produit que la découpe du béton tendre. Un équipement de coupe émoussé, défectueux, de type incorrect ou mal affûté augmente le niveau de vibrations

## Sécurité relative aux gaz d'échappement



**AVERTISSEMENT** : Lire les messages d'avertissement qui suivent avant d'utiliser l'outil.

- Les gaz d'échappement du moteur contiennent du monoxyde de carbone, un gaz inodore, toxique et très dangereux. Respirer du monoxyde de carbone peut entraîner la mort. Le monoxyde de carbone étant inodore et invisible, il n'est pas possible de le détecter. Un symptôme d'intoxication au monoxyde

de carbone est l'étourdissement, mais il est possible qu'une personne perde connaissance sans avertissement si la quantité ou la concentration de monoxyde de carbone est suffisante.

- Les gaz d'échappement contiennent également des hydrocarbures non brûlés, y compris du benzène. Leur inhalation à long terme peut provoquer des problèmes de santé.
- Les gaz d'échappement visibles ou odorants contiennent également du monoxyde de carbone.
- Ne pas utiliser un produit à moteur à combustion à l'intérieur ou dans des endroits mal aérés.
- Ne pas respirer les gaz d'échappement.
- S'assurer que la circulation d'air dans la zone de travail est suffisante. Ceci est très important lorsque le produit est utilisé dans des tranchées ou autres petites zones de travail où les gaz d'échappement peuvent facilement s'accumuler.

## Protection contre la poussière



**AVERTISSEMENT** : Lire les messages d'avertissement qui suivent avant d'utiliser l'outil.

- L'utilisation du produit peut provoquer de la poussière dans l'air. La poussière peut provoquer des blessures graves et des problèmes de santé permanents. La poussière de silice est considérée comme une matière nocive par plusieurs autorités. Voici quelques exemples de problèmes de santé :
  - Maladies pulmonaires mortelles bronchite chronique, silicose et fibrose pulmonaire
  - Cancer
  - Malformations congénitales
  - Inflammation de la peau
- Utiliser un équipement adapté pour réduire la quantité de poussière et de fumées dans l'air et pour réduire la poussière sur les équipements de travail, les surfaces, les vêtements et les parties du corps. Exemples de contrôles : systèmes de collecte de poussière et jets d'eau pour lier la poussière. Dans la mesure du possible, réduire la quantité de poussière à la source. S'assurer que l'équipement est correctement installé et utilisé et que l'entretien régulier est effectué.
- Utiliser un dispositif de protection respiratoire homologué. S'assurer que la protection respiratoire convient aux matériaux dangereux dans la zone de travail.
- S'assurer que la circulation d'air est suffisante dans la zone de travail.
- Si possible, orienter l'échappement du produit vers un endroit où il ne risque pas de souffler de la poussière dans l'air.

## Équipement de protection personnelle



**AVERTISSEMENT** : Lire les messages d'avertissement qui suivent avant d'utiliser l'appareil.

- Toujours utiliser un équipement de protection personnelle homologué lors de l'utilisation. Cet équipement n'élimine pas les risques de blessures, mais il peut en réduire la gravité en cas d'accident. Demander conseil à votre centre de services pour le choix de l'équipement qui convient.
- Porter un casque de protection approuvé.
- Porter un dispositif de protection homologué pour les oreilles. L'exposition prolongée au bruit peut causer des lésions auditives permanentes. Être attentif aux appels ou cris d'avertissement lors de l'utilisation des protecteurs d'oreilles. Toujours enlever les protecteurs d'oreilles dès que le moteur s'arrête.
- Utiliser un dispositif de protection homologué pour les yeux afin de réduire le risque de blessure due à une projection d'objets. En cas d'utilisation de visière, porter également des lunettes de protection approuvées. Les lunettes de protection homologuées doivent être conformes à la norme ANSI Z87.1 aux États-Unis ou à la norme EN 166 dans les pays de l'Union européenne. Les visières doivent être conformes à la norme EN 1731.
- Porter des gants robustes.
- Utiliser un dispositif de protection respiratoire homologué. Les outils servant à poncer ou former des matériaux (couteaux, meules, perceuses, etc.) peuvent produire de la poussière et des vapeurs contenant des produits chimiques dangereux. Vérifier le type de matériau avec lequel vous devez travailler et utiliser un masque filtrant approprié.
- Porter des vêtements ajustés, résistants et confortables permettant une liberté de mouvement totale. La découpe crée des étincelles qui peuvent enflammer les vêtements. HUSQVARNA recommande de porter du coton ignifugé ou du denim épais. Ne pas porter des vêtements composés de matières comme le nylon, le polyester ou la rayonne. Si elles s'enflamment, de telles matières peuvent fondre et adhérer à la peau. Ne pas porter une culotte courte.
- Utiliser des bottes à embout en acier et semelles antidérapantes.

- Toujours garder une trousse de premiers soins à proximité.



- Le silencieux ou le disque découpeur peuvent produire des étincelles. Toujours avoir un extincteur disponible.

## Dispositifs de sécurité sur l'outil



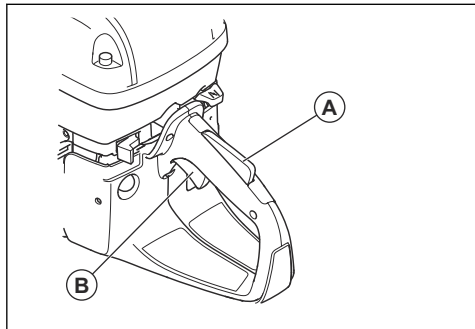
**AVERTISSEMENT** : Lire les messages d'avertissement qui suivent avant d'utiliser l'outil.

- Ne pas utiliser un outil dont les dispositifs de protection sont défectueux.
- Vérifier régulièrement les dispositifs de sécurité. Si les dispositifs de sécurité sont défectueux, communiquer avec un agent d'entretien HUSQVARNA approuvé.
- Ne pas altérer les dispositifs de sécurité.
- Ne pas utiliser le produit si les plaques et les couvercles de protection, les interrupteurs de sécurité ou d'autres dispositifs de protection sont défectueux ou ne sont pas fixés.

## Dispositif de verrouillage de la gâchette de l'accélérateur

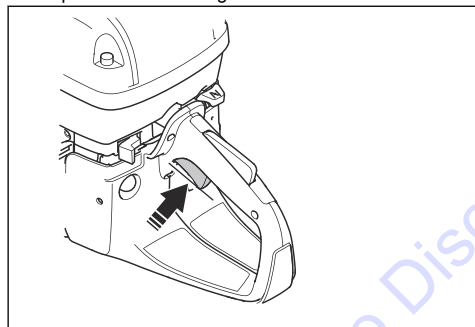
Le dispositif de verrouillage de la gâchette de l'accélérateur empêche tout fonctionnement accidentel de la gâchette de l'accélérateur. Lorsque la main est placée autour de la poignée et le dispositif de verrouillage de la gâchette de l'accélérateur (A) est enfoncé, la gâchette de l'accélérateur (B) se déverrouille. Quand la poignée est relâchée, la gâchette de l'accélérateur et son dispositif de verrouillage retournent à leur position initiale. Cette fonction

verrouille la gâchette de l'accélérateur au régime de ralenti.

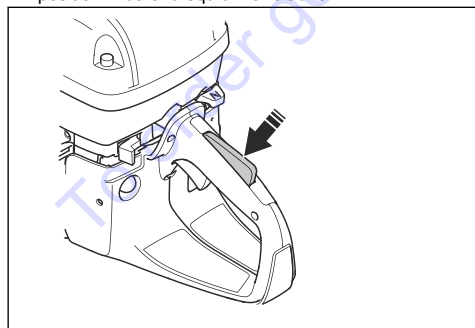


#### Pour vérifier le verrouillage de la gâchette de l'accélérateur

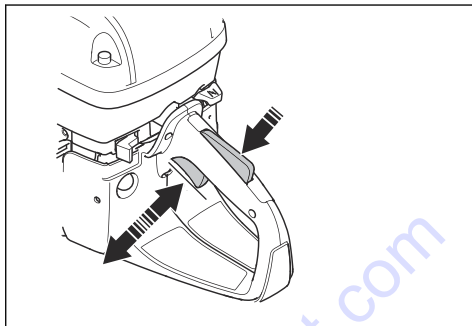
1. S'assurer que la gâchette d'accélération est verrouillée en position de ralenti lorsque son dispositif de verrouillage est relâché.



2. Pousser le dispositif de verrouillage de la gâchette d'accélération et s'assurer qu'il retourne à sa position initiale lorsqu'on le relâche.



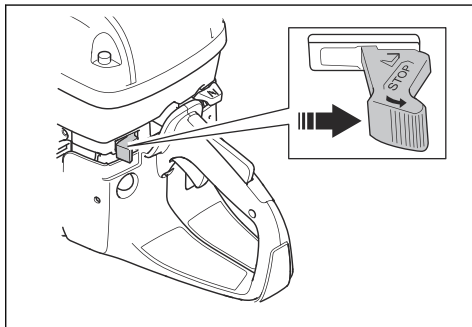
3. Vérifier que la gâchette d'accélération et son dispositif de verrouillage bougent librement et que les ressorts de retour fonctionnent correctement.



4. Démarrer le produit et le lancer à plein régime.
5. Relâcher la commande d'accélération et s'assurer que le disque découpeur s'arrête et s'immobilise.
6. Si le disque découpeur tourne quand le moteur tourne au ralenti, régler le régime de ralenti. Se reporter à la section *Réglage du régime de ralenti à la page 109*.

#### Vérification de l'interrupteur d'arrêt

1. Démarrer le moteur. Se reporter à la section *Démarrage du produit quand le moteur est froid à la page 101*.
2. Pousser l'interrupteur d'arrêt à la position d'arrêt. Le moteur doit s'arrêter.



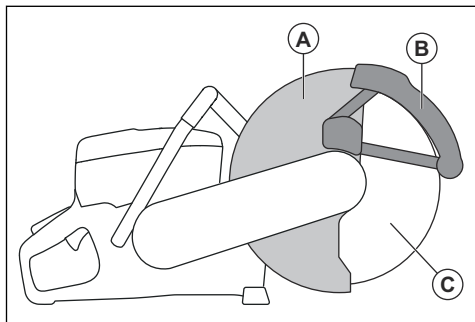
#### Protège-lame et SmartGuard (en option)



**AVERTISSEMENT :** S'assurer que le protège-lame et le SmartGuard sont bien fixés et serrés avant de démarrer le produit. Ne pas utiliser le produit si le protège-lame ou le SmartGuard est manquant, défectueux ou fissuré.

Le protège-lame (A) et le SmartGuard (B) sont installés au-dessus de la lame de coupe (C). Ils empêchent les

blessures si des parties de la lame ou des pièces du matériau découpé sont projetées vers l'opérateur.



Le SmartGuard est pourvu d'un ressort et doit toujours bouger librement et retourner à sa position initiale au moyen de la tension du ressort.

#### Pour examiner la lame et le protège-lame



**AVERTISSEMENT** : Un disque découpeur endommagé peut causer des blessures.

1. Vérifier que le disque découpeur est correctement montée et ne présente aucun signe de dommage.
2. S'assurer que le protège-lame ne présente aucune fissure et aucun dommage.
3. Remplacer le protège-lame s'il est endommagé.

#### Vérification du clavier SmartGuard



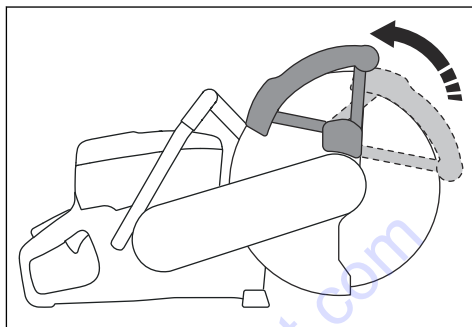
**AVERTISSEMENT** : Un SmartGuard endommagé peut causer des blessures.



**MISE EN GARDE** : Le SmartGuard est un dispositif de protection en plastique qui peut être endommagé par la chaleur lors d'une découpe à sec intensive du métal avec des disques abrasifs collés. Ne pas effectuer de découpe à sec intensive du métal laisser le produit refroidir entre les découpes. Pour effectuer une découpe intensive du métal avec le produit SmartGuard, nous recommandons d'effectuer une découpe à l'eau avec des lames diamant brasées sous vide, telles que les lames VARI-CUT FR3.

1. S'assurer que le produit SmartGuard ne présente aucune fissure et aucun dommage.

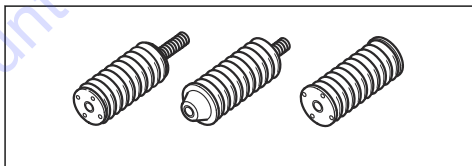
2. S'assurer que le produit SmartGuard bouge librement sans trop de jeu et se rétracte au moyen de la tension du ressort.



3. Nettoyer ou remplacer le SmartGuard s'il ne se rétracte pas immédiatement lorsqu'il est enfoncé ou s'il est endommagé.

#### Système antivibrations

Votre produit est équipé d'un système antivibrations, conçu pour minimiser les vibrations et faciliter l'utilisation. Le système antivibrations du produit réduit le transfert des vibrations entre l'unité à moteur, l'équipement de coupe et l'ensemble poignée du produit.



#### Pour vérifier le système antivibrations



**AVERTISSEMENT** : Vérifier que le moteur est à l'arrêt et que l'interrupteur d'arrêt est à la position STOP (ARRÊT).

1. S'assurer que les unités antivibrations ne présentent aucune fissure ou déformation. Remplacer les éléments antivibrations s'ils sont endommagés.
2. S'assurer que les unités antivibrations sont correctement fixées à l'unité à moteur et à l'ensemble poignée.

#### Silencieux

Le silencieux maintient le niveau de bruit au minimum et dirige les gaz d'échappement loin de l'utilisateur.

Ne pas utiliser l'outil si le silencieux est manquant ou défectueux. Un silencieux défectueux augmente le niveau sonore et le risque d'incendie.



**AVERTISSEMENT :** Le silencieux devient très chaud pendant et après utilisation et lorsque le moteur tourne au ralenti. Faire attention à proximité des matériaux inflammables ou des fumées afin d'éviter tout risque d'incendie.

#### Pour vérifier le silencieux

- Examiner régulièrement le silencieux pour s'assurer qu'il est correctement raccordé et en bon état.

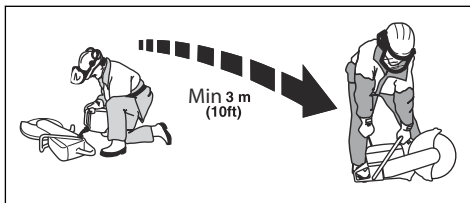
#### Sécurité – carburant



**AVERTISSEMENT :** Lire les messages d'avertissement qui suivent avant d'utiliser l'outil.

- L'essence est inflammable et les vapeurs sont explosives. Faire attention avec le carburant afin d'éviter toute blessure, tout incendie et toute explosion.
- Faire le plein de carburant uniquement à l'extérieur, là où la circulation d'air est suffisante. Ne pas respirer les vapeurs de carburant. Elles sont toxiques et peuvent provoquer des blessures, un incendie ou une explosion.
- Ne pas enlever le bouchon du réservoir de carburant ou remplir le réservoir de carburant lorsque le moteur est en marche.
- Laisser le moteur refroidir avant de faire l'appoint.
- Ne pas fumer à proximité du carburant ou du moteur.
- Ne pas placer des objets chauds à proximité du carburant ou du moteur.
- Ne pas faire l'appoint de carburant à proximité d'étincelles ou de flammes.
- Avant de faire le plein, ouvrir lentement le couvercle du réservoir de carburant et relâcher la pression avec précaution.
- Le carburant peut provoquer des lésions cutanées. Si du carburant se déverse sur la peau, se nettoyer au savon doux et à l'eau.
- Si du carburant se déverse sur les vêtements, changer immédiatement de vêtement.
- Serrer fermement le couvercle du réservoir de carburant. Si le bouchon du réservoir de carburant n'est pas correctement serré, les vibrations dans le produit peuvent le desserrer et provoquer des fuites de carburant et de vapeurs de carburant. Le carburant et les vapeurs de carburant présentent un risque d'incendie.

- Avant de démarrer l'outil, le déplacer à au moins 3 m (10 pi) de l'endroit où le plein de carburant a eu lieu.



- Ne pas démarrer le produit s'il y a du carburant ou de l'huile dessus. Éponger le carburant et l'huile indésirables et laisser le produit sécher avant de démarrer le moteur.
- Vérifier régulièrement le moteur à la recherche de fuites. S'il y a des fuites dans le système de carburant, ne pas démarrer le moteur jusqu'à ce que les fuites soient réparées.
- N'entreposer le carburant que dans des contenants homologués.
- Lorsque le produit et le carburant sont entreposés, s'assurer que le carburant et les vapeurs de carburant ne peuvent pas provoquer de dommages, d'incendie ou d'explosion.
- Vider le carburant dans un contenant homologué à l'extérieur et loin d'étincelles ou de flammes.

#### Consignes de sécurité pour la maintenance



**AVERTISSEMENT :** Lire les messages d'avertissement qui suivent avant d'utiliser l'outil.

- Vérifier que le moteur est à l'arrêt et que l'interrupteur d'arrêt est à la position STOP (ARRÊT).
- Utiliser de l'équipement de protection individuelle. Se reporter à la section *Équipement de protection personnelle à la page 85*.
- Si la maintenance n'est pas effectuée correctement et régulièrement, le risque de blessures et de dommages sur l'outil augmente.
- N'effectuer que les travaux d'entretien indiqués dans ce manuel d'utilisation. Confier toutes les autres opérations d'entretien à un centre de service agréé.
- Demander régulièrement à un agent d'entretien HUSQVARNA agréé d'effectuer l'entretien de l'outil.
- Remplacer les pièces endommagées, usées ou brisées.
- Toujours utiliser des accessoires d'origine.

# Montage

## Lames de coupe



**AVERTISSEMENT** : Toujours utiliser des gants de protection lors de l'assemblage du produit.



**AVERTISSEMENT** : Un disque découpeur peut se briser et blesser gravement l'opérateur.



**AVERTISSEMENT** : Avant toute utilisation, vérifier que le disque découpeur n'est pas fissuré, déformé ou déséquilibré et qu'il n'y manque aucun segment, et ce, immédiatement après avoir heurté un objet. Ne pas utiliser un disque de coupe endommagé. Après inspection et installation du disque découpeur, se tenir, ainsi que les personnes présentes, à l'écart du plan de rotation du disque et faire fonctionner l'outil électrique au régime maximal sans charge pendant une minute.



**AVERTISSEMENT** : Le fabricant des disques de coupe publie des avertissements et des recommandations pour l'utilisation et l'entretien adéquat de ceux-ci. Ces avertissements sont fournis avec le disque de coupe. Lire et respecter les instructions fournies avec le disque découpeur.

## Disques découpeurs adéquats



**AVERTISSEMENT** : Pour le béton, utiliser seulement des lames diamant et des lames abrasives. Ne pas utiliser des lames avec ébréchures, telles les lames circulaires de découpe de bois avec embout en carbure. Le risque de rebond est accru et les embouts en carbure peuvent se détacher et être projetés à grande vitesse. Cela peut engendrer des blessures graves, voire la mort.



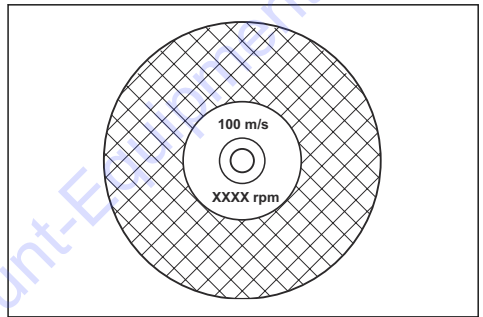
**AVERTISSEMENT** : Ne jamais utiliser un disque découpeur avec un matériau autre que celui auquel il est destiné.



**AVERTISSEMENT** : Utiliser uniquement des disques découpeurs conformes aux normes nationales ou régionales, par exemple, EN12413, EN13236 ou ANSI B7.1.



**AVERTISSEMENT** : Ne pas utiliser de disque découpeur dont la vitesse nominale est inférieure à celle du produit. La vitesse nominale du disque découpeur est indiquée sur ce dernier, et celle du produit est indiquée sur le protège-lame.

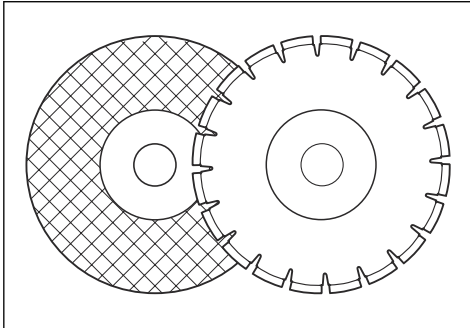


**Remarque** : De nombreux disques découpeurs pouvant être fixés à ce produit sont conçus pour des scies fixes. La vitesse nominale de ces disques découpeurs est trop faible pour ce produit.



**MISE EN GARDE** : Ne pas utiliser de disques abrasifs qui sont plus épais que la limite maximale recommandée. Se reporter à la section *Caractéristiques techniques* à la page 112.

- Les disques découpeurs qui conviennent au produit sont offerts en deux modèles de base, soit les disques abrasifs et les lames diamant.



- S'assurer que le trou central du disque découpeur a la dimension correcte pour la bague d'arbre installée.

### Diamètre du disque découpeur.



**MISE EN GARDE :** Si on utilise le produit avec trop de force, le disque peut devenir trop chaud, se tordre et engendrer des vibrations. Utiliser le produit avec moins de force. Si les vibrations persistent, remplacer le disque découpeur.

### Disques découpeurs abrasifs collés



**AVERTISSEMENT :** Ne pas utiliser de disques abrasifs collés avec de l'eau. L'humidité diminue la résistance du disque découpeur abrasif collé et celui-ci peut se briser et provoquer des blessures.

Un disque découpeur abrasif collé se compose de petits grains abrasifs collés par une liaison organique ou vitrifiée, moulée avec des renforts en tissu qui empêchent le disque découpeur de se casser lors d'un fonctionnement à grande vitesse.

### Disques découpeurs abrasifs collés pour différents matériaux

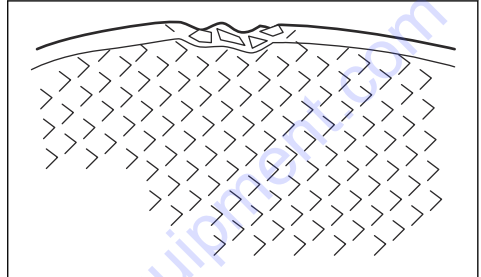
**Remarque :** S'assurer d'utiliser le disque découpeur adapté à la découpe de rails.

Type de lame	Matériau
Disque pour béton	Béton, asphalte, pierre de maçonnerie, fonte, aluminium, cuivre, laiton, câbles, caoutchouc, plastique.
Disque pour métal	Acier, alliages d'acier et autres métaux durs.

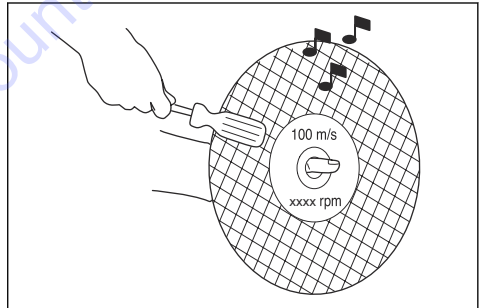
Type de lame	Matériau
Disque découpeur pour la découpe de rails	Rail

### Pour examiner un disque découpeur abrasif collé

- S'assurer que le disque découpeur ne présente aucune fissure ou dommage.



- Suspendre le disque découpeur sur le doigt et taper légèrement sur le disque à l'aide d'un tournevis. Si aucun son clair n'est produit, le disque découpeur est endommagée.



### Lames diamant



**AVERTISSEMENT :** Les lames diamant deviennent très chaudes lorsqu'elles sont utilisées. Une lame diamant trop chaude entraîne de mauvaises performances, des dommages à la lame et un risque pour la sécurité.

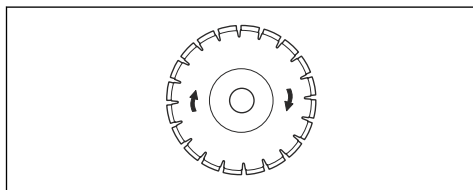


**AVERTISSEMENT :** Ne pas utiliser une lame diamant pour couper du plastique. La lame diamant chaude peut faire fondre le plastique, ce qui peut provoquer un rebond.

- Les lames diamant présentent un noyau en acier avec des segments faits de diamants industriels.



- Les lames diamant sont recommandées pour la maçonnerie, le béton armé et la pierre.
- S'assurer que le disque diamanté tourne dans le sens des flèches indiquées sur le disque.



- Toujours utiliser un disque diamanté affûté.
- Les disques diamantés peuvent s'émousser à la longue en cas d'utilisation d'une pression d'alimentation incorrecte ou lors de la coupe de matériaux tels que le béton armé dur. Un disque diamanté émoussé deviendra trop chaud et les segments diamantés pourraient se détacher.

### Affûtage de la lame de coupe

**Remarque :** Pour obtenir les meilleurs résultats de coupe, utiliser une lame de coupe affûtée.

- Pour affûter la lame de coupe, couper un matériau tendre tel que du grès ou de la brique.

### Lames diamant pour la découpe à l'eau

- Les lames diamant pour la découpe à l'eau doivent être utilisées avec de l'eau.
- L'eau diminue la température du disque découpeur, augmente sa durée de vie et réduit la poussière pendant le fonctionnement.
- Lors d'une découpe à l'eau, prendre soin de recueillir les eaux usées en toute sécurité.

### Lames diamant pour découpe à sec

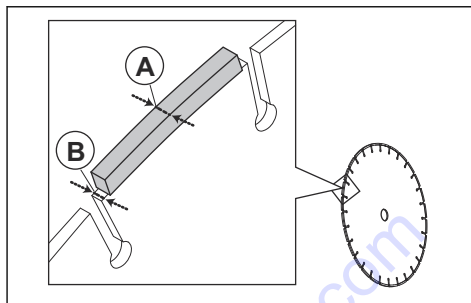
- Pour les lames diamant pour la découpe à sec, il est nécessaire de disposer d'un débit d'air suffisant autour du disque découpeur pour diminuer la température. C'est pourquoi les lames diamant pour découpe à sec sont recommandées uniquement pour un fonctionnement intermittent. Après quelques secondes de fonctionnement, il est nécessaire de laisser la lame diamant tourner librement, à l'écart de la coupe. Cela permet au débit d'air autour de la lame de réduire la température de la lame diamant.

### Lame de diamant – jeu latéral



**AVERTISSEMENT :** De l'usure excessive sur le côté des segments peut être causée par certaines situations de coupe ou par l'utilisation de lames de mauvaise qualité. S'assurer que le segment en diamant (A) est plus large que la lame (B). Cela permet d'éviter les pincements dans la fente de coupe, ainsi que les

rebonds. Se reporter à la section *Rebond à la page 95.*



**MISE EN GARDE :** Dans certaines situations de coupe ou si l'on utilise des lames usées, une usure excessive peut se produire sur le côté des segments. Remplacer la lame avant qu'elle soit usée.

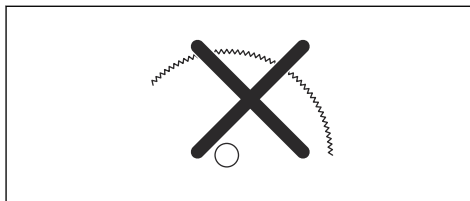
### Lames dentées



**AVERTISSEMENT :** Ne jamais utiliser de lames dentées, comme des lames de coupe de bois, des lames à dents circulaires, des lames à pointe au carbure, etc. Le risque de rebond augmente considérablement et les extrémités de lame peuvent se déchirer et être éjectées à haute vitesse. Toute négligence peut entraîner de graves blessures, ou même la mort.



**AVERTISSEMENT :** La réglementation gouvernementale exige un type différent de protection pour les lames à pointe au carbure, soit un protecteur sur 360 degrés qui n'est pas ouvert sur les découpeuses. Les découpeuses (cette scie) s'utilisent avec des lames diamant et sont équipées d'un système de protection différent, qui ne protège pas contre les dangers présentés par les lames de coupe de bois.



L'utilisation de cette découpeuse avec une lame à pointe au carbure constitue une violation des règles de sécurité du travail.

Compte tenu de la nature dangereuse et du caractère urgent des opérations de lutte contre l'incendie et de secours menées par les professionnels de la sécurité (pompiers) hautement qualifiés de divers organismes de sécurité publique, Husqvarna reconnaît que ces personnes peuvent utiliser cette découpeuse avec des lames à pointe au carbure dans certaines situations d'urgence parce que ces lames permettent de couper dans beaucoup de différentes combinaisons d'obstacles et de matériaux sans avoir à prendre le temps de changer de lame ou de machine. Lorsqu'on utilise cette découpeuse, on ne doit jamais oublier que les lames à pointe au carbure sont plus sujettes aux rebonds que les lames diamant si elles ne sont pas utilisées correctement. Les lames à pointe au carbure peuvent également projeter des morceaux de matériau.

Pour ces raisons, une découpeuse équipée d'une lame à pointe au carbure ne doit jamais être utilisée, sauf par des professionnels de la sécurité publique hautement qualifiés et conscients des risques liés à cette utilisation, et ce uniquement dans des situations d'urgence lorsque les autres outils sont jugés inefficaces pour les opérations de secours ou de lutte contre l'incendie. Une découpeuse équipée d'une lame à pointe au carbure ne doit jamais être utilisée pour couper du bois autrement que lors d'opérations de secours.

## Examen de l'arbre à broches et des rondelles d'accouplement



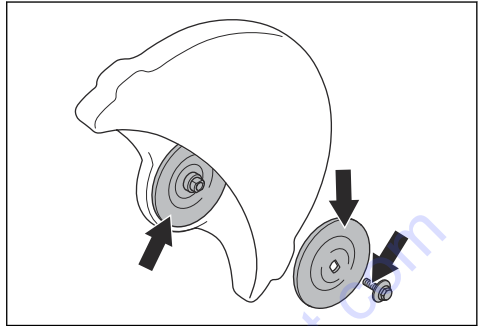
**MISE EN GARDE :** N'utiliser que les rondelles d'accouplement HUSQVARNA avec un diamètre minimal de 105 mm/ 4,1 po.



**AVERTISSEMENT :** Ne pas utiliser des rondelles d'accouplement endommagées, usées ou sales. N'utiliser que les rondelles d'accouplement de même dimension. Des rondelles d'accouplement inappropriées peuvent provoquer l'endommagement ou le desserrage du disque découpeur.

Examiner l'arbre à broches et les rondelles d'accouplement lors du remplacement du disque découpeur.

1. Vérifier que les filets de l'arbre à broches ne sont pas endommagés. Remplacer les pièces endommagées.

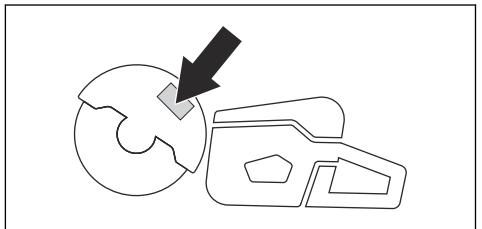


2. S'assurer que les zones de contact sur le disque découpeur et les rondelles d'accouplement ne sont pas endommagées. Remplacer les pièces endommagées.
3. S'assurer que les rondelles d'accouplement sont propres et de bonne dimension.
4. S'assurer que les rondelles d'accouplement se déplacent librement sur l'arbre à broches.

## Vérification de la bague d'arbre

Les bagues d'arbre servent à fixer le produit au trou central du disque découpeur. Le produit est fourni avec l'un de ces deux types de bagues d'arbre :

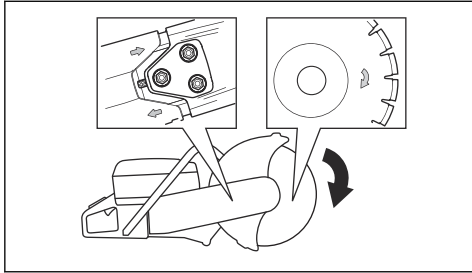
- Une bague d'arbre réversible qui convient aux trous centraux de 20 mm/0,79 po ou 25,4 mm/1 po.
- Une bague d'arbre de 25,4 mm/1 po.
- Un autocollant apposé sur le protège-lame indique la bague d'arbre installée et les spécifications des disques découpeurs convenables.



- S'assurer que la dimension du trou central du disque découpeur correspond à la bague d'arbre installée. Le diamètre du trou central est imprimé sur le disque découpeur.
- N'utiliser que des bagues d'arbre HUSQVARNA.

## Pour examiner le sens de rotation du disque découpeur

1. Trouver les flèches sur le carter de la courroie arrière qui indiquent le sens de rotation de l'arbre à broches.



2. La flèche sur le protège-lame indique le sens de rotation du disque découpeur.
3. S'assurer que les flèches de direction du disque découpeur et de l'arbre à broches ont la même direction.

## Installation du disque découpeur

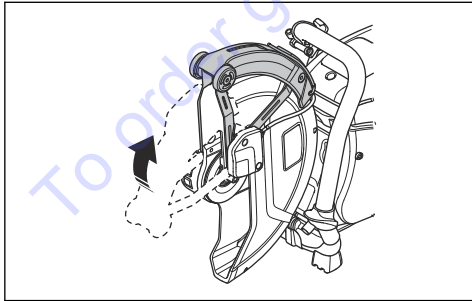


**AVERTISSEMENT** : Vérifier que le moteur s'arrête lorsque l'interrupteur d'arrêt est réglé à la position STOP (ARRÊT).



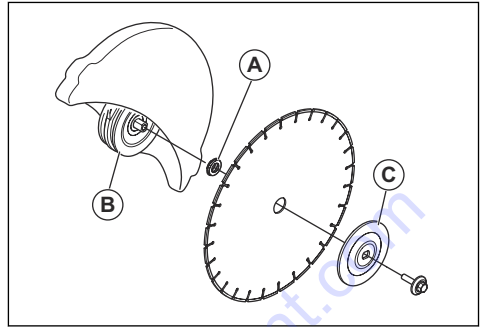
**AVERTISSEMENT** : Toujours utiliser des gants de protection lors de l'assemblage du produit.

1. Examiner les rondelles d'accouplement et l'arbre à broches. Se reporter à *Examen de l'arbre à broches et des rondelles d'accouplement à la page 92*.
2. Repousser et maintenir le SmartGuard en position rétractée.

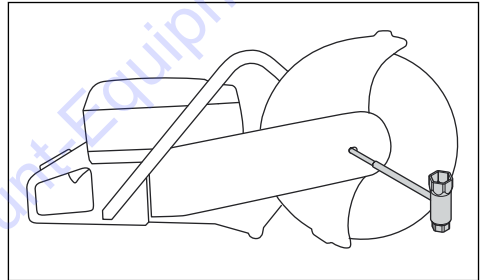


**Remarque** : Cette étape s'applique uniquement au K 970 SmartGuard.

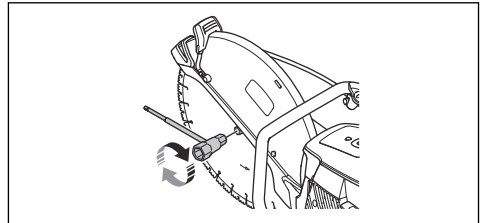
3. Placer le disque découpeur sur la bague d'arbre (A) entre la rondelle d'accouplement intérieure (B) et la rondelle d'accouplement (C). Tourner la rondelle d'accouplement jusqu'à ce qu'elle tienne sur l'arbre.



4. Placer un outil dans le trou du carter de la courroie avant et tourner le disque découpeur jusqu'à ce que l'arbre soit verrouillé.



5. Serrer le boulon du disque découpeur à 25 Nm / 18,5 lb-pi.



## Inversion de la tête de coupe (K 970 III, K 970 III Rescue)



**AVERTISSEMENT** : Couper uniquement avec la tête de coupe inversée si une procédure standard n'est pas possible.

Le produit est doté d'une tête de coupe réversible qui vous permet de découper près d'un mur ou au niveau du sol. Couper uniquement avec la tête de coupe inversée si une procédure standard n'est pas possible. En cas de rebond, il est plus difficile de contrôler le

produit si la tête de coupe est inversée. La distance entre le disque découpeur et le centre du produit est plus longue, ce qui signifie que la poignée et le disque découpeur ne s'alignent pas. Cela a un effet négatif sur l'équilibre du produit et il est plus difficile de retenir le produit si le disque découpeur est pincé ou coincé dans la zone de rebond. Se reporter à la section *Rebond à la page 95*.

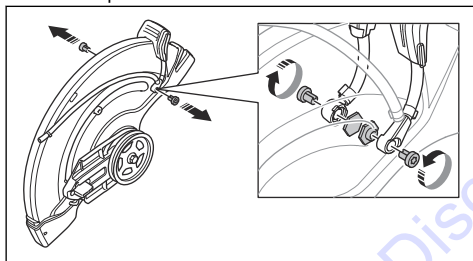


**AVERTISSEMENT :** Vérifier que le moteur s'arrête lorsque l'interrupteur d'arrêt est réglé à la position STOP (ARRÊT).

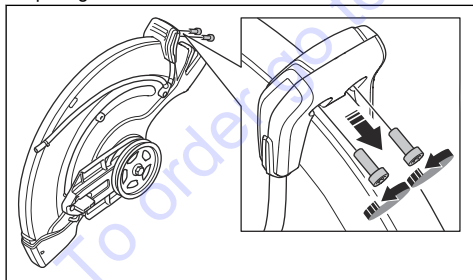


**AVERTISSEMENT :** Toujours utiliser des gants de protection lors de l'assemblage du produit.

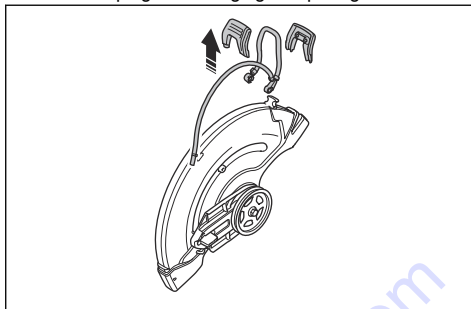
1. Retirer le disque découpeur, le couvercle de courroie avant et la tête de coupe. Se reporter aux étapes 1 à 5 de la section *Pour remplacer la courroie d'entraînement à la page 106*.
2. Retirer les deux vis et écrous qui maintiennent la buse de pulvérisation.



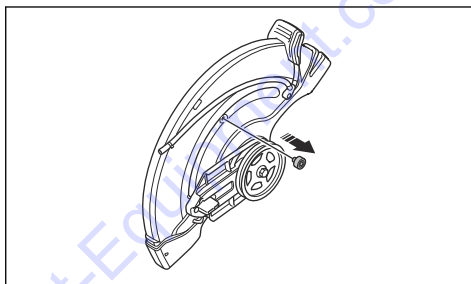
3. Retirer les deux vis de la poignée de réglage du protège-lame.



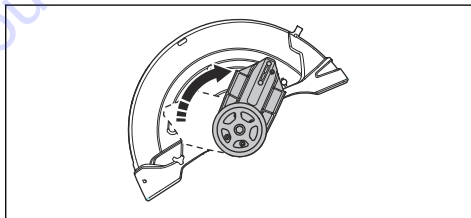
4. Retirer la poignée de réglage du protège-lame



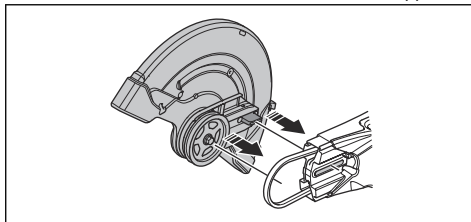
5. Retirer le manchon d'arrêt.



6. Déplacer le logement de palier et installer le manchon d'arrêt.



7. Installer le manchon d'arrêt.
8. Installer la courroie d'entraînement du côté opposé.



9. Installer la tête de coupe et le couvercle de la courroie d'entraînement, se reporter à la section *Pour remplacer la courroie d'entraînement à la page 106*.
10. Installer la buse de pulvérisation et le disque découpeur dans l'ordre inverse de leur retrait.

# Fonctionnement

## Introduction



**AVERTISSEMENT** : Lire et comprendre le chapitre sur la sécurité avant d'utiliser le produit.

## Rebond

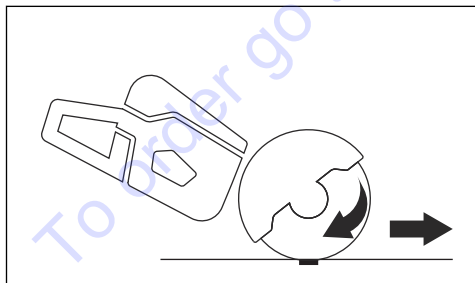


**AVERTISSEMENT** : Les rebonds sont soudains et peuvent être très violents. La découpeuse peut être éjectée vers le haut et retomber en direction de l'utilisateur dans un mouvement de rotation qui peut causer de graves blessures, ou même la mort. Il est indispensable de comprendre ce qui cause le rebond et de savoir comment l'éviter avant d'utiliser le produit.

Le rebond est un mouvement soudain vers le haut qui peut survenir si la lame se pince ou se coince dans la zone de rebond. La plupart des rebonds sont légers et présentent peu de danger. Toutefois un rebond peut également être très violent et éjecter la découpeuse vers le haut, puis la faire retomber en direction de l'utilisateur dans un mouvement de rotation qui peut causer de graves blessures, ou même la mort.

### Force de réaction

Une force de réaction s'exerce toujours lors de la coupe. Cette force tire le produit dans le sens opposé à la rotation de la lame. La plupart du temps, cette force est négligeable. Si la lame se pince ou se coince, la force de réaction sera grande et l'opérateur pourrait perdre la maîtrise de la découpeuse.

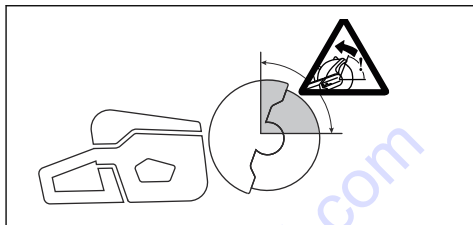


Ne jamais déplacer le produit pendant que l'équipement de coupe tourne. Les forces gyroscopiques peuvent entraver le mouvement prévu.

### Zone de rebond

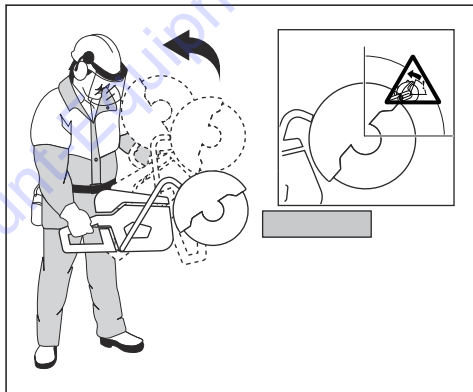
Ne jamais utiliser la zone de rebond de la lame pour couper. Si la lame se pince ou se coince dans la zone de rebond, la force de réaction poussera la découpeuse

vers le haut, puis la fera retomber en direction de l'utilisateur dans un mouvement de rotation qui peut causer de graves blessures, ou même la mort.



### Effet de rebond rotatif

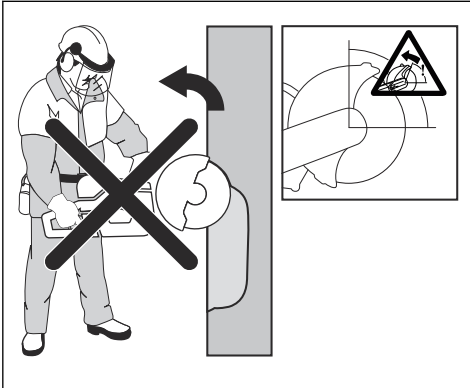
Un rebond rotatif se produit lorsque le disque découpeur ne se déplace pas librement dans la zone de rebond.



### Rebond de grimpée

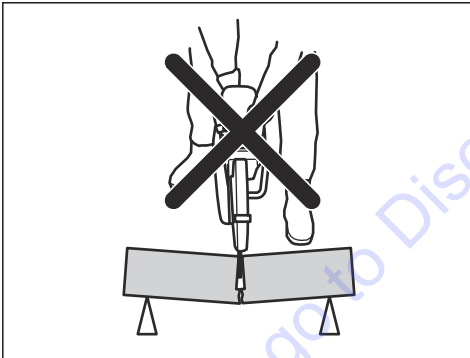
Si l'on utilise la zone de rebond pour couper, la force de réaction fait grimper la lame dans le sillon de coupe. Ne

pas utiliser la zone de rebond. Utiliser le quart inférieur de la lame pour éviter le rebond de grimpée.



### Rebond de pincement

Un pincement se produit quand le sillon de coupe se referme et pince la lame. Si la lame se pince ou se coince, la force de réaction sera grande et l'opérateur pourrait perdre la maîtrise de la découpeuse.



Si la lame se pince ou se coince dans la zone de rebond, la force de réaction poussera la découpeuse vers le haut, puis la fera retomber en direction de l'utilisateur dans un mouvement de rotation qui peut causer de graves blessures, ou même la mort. Faites attention aux éventuels mouvements de la pièce à travailler. Si la pièce à travailler n'est pas correctement soutenue et bouge lors de la coupe, elle risque de pincer la lame et d'entraîner un rebond.

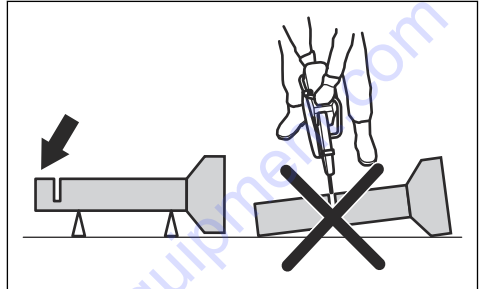
### Coupe de tuyaux

Faire particulièrement attention lorsqu'on coupe des tuyaux. Si le tuyau n'est pas correctement soutenu et si le sillon de coupe n'est pas gardé ouvert pendant toute la durée de la coupe, la lame peut se pincer. Faire particulièrement attention lorsqu'on coupe un tuyau en tulipe ou un tuyau dans une tranchée qui, s'il n'est pas

correctement soutenu, risque de pendre et de provoquer le pincement de la lame.

Si le tuyau pend et ferme le sillon de coupe, la lame peut être pincée dans la zone de rebond, ce qui peut provoquer un rebond important. Si le tuyau est correctement soutenu, son extrémité se déplace vers le bas, le sillon de coupe s'ouvre et permet d'éviter le pincement de la lame.

Immobiliser le tuyau pour qu'il ne puisse pas bouger ou rouler pendant la coupe. S'assurer que le sillon de coupe s'ouvre afin d'éviter le pincement de la lame.



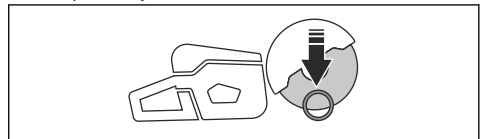
### Coupe de tuyaux plus étroits



**AVERTISSEMENT :** Le pincement de la lame dans la zone de rebond cause un rebond important.

Si le tuyau est plus étroit que la profondeur de coupe maximale du produit, la coupe peut être effectuée en une étape de haut en bas.

- Couper le tuyau de haut en bas.



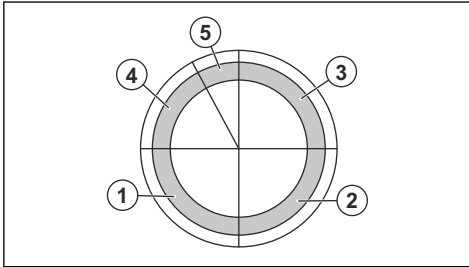
### Coupe de tuyaux plus larges



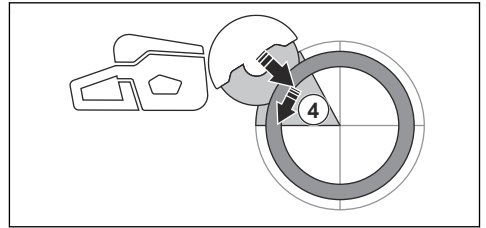
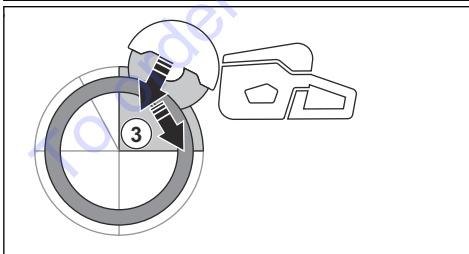
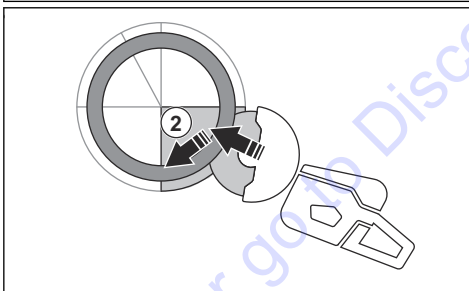
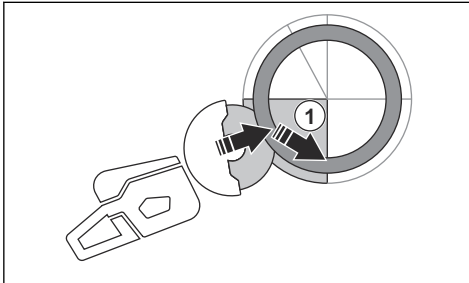
**AVERTISSEMENT :** Le pincement de la lame dans la zone de rebond cause un rebond important.

Si le tuyau est plus large que la profondeur de coupe maximale du produit et ne peut pas être tourné, la coupe doit être effectuée en 5 étapes.

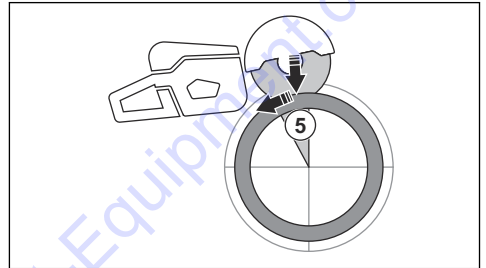
- Diviser le tuyau en 5 sections. Marquer ces sections et tracer une ligne de coupe. Creuser une rainure de guidage peu profonde autour du tuyau.



- Couper ces sections en 5 étapes en suivant les directives de coupe indiquées par les flèches à chaque étape.



- Effectuer la dernière coupe de séparation à partir du haut du tuyau en déplaçant l'outil vers l'arrière et sans que le quadrant supérieur de la lame soit en contact avec le tuyau. Réglez le protège-lame en position complètement vers l'avant pour une protection maximale.



**AVERTISSEMENT :** Si le tuyau est bien soutenu, la lame ne devrait pas être pincée lorsque la section 5 sera séparée. Toutefois, faites attention à ce que la lame ne soit pas pincée lors de la séparation finale. Si la lame est pincée dans la section inférieure, le produit peut être propulsé vers l'avant, au lieu de subir un simple rebond rotatif.

#### Afin d'éviter un rebond



**AVERTISSEMENT :** Éviter des situations où il y a un risque de rebond. Faire attention lors de l'utilisation de la découpeuse et s'assurer que la lame ne soit jamais pincée dans la zone de rebond.



**AVERTISSEMENT :** Faire attention lorsqu'on place la lame dans un sillon existant.



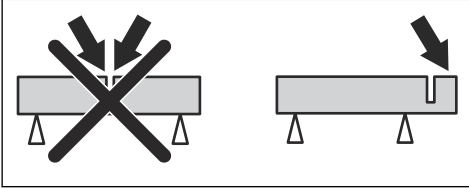
**AVERTISSEMENT :** S'assurer que la pièce de travail ne peut pas se déplacer pendant l'opération de coupe.



**AVERTISSEMENT :** Seuls l'utilisateur et une bonne technique de travail

peuvent éliminer les rebonds et ses dangers.

- Toujours soutenir la pièce à travailler de manière à ce que le sillon de coupe demeure ouvert pendant la coupe. Lorsque le sillon de coupe est ouvert, il n'y a aucun rebond. Si le sillon de coupe se ferme et pince la lame, il y a un risque de rebond.



## Techniques de travail de base



**AVERTISSEMENT :** Ne pas tirer le produit vers un côté. Cela peut empêcher le libre mouvement du disque découpeur. Le disque découpeur peut se casser et provoquer des blessures à l'utilisateur ou aux personnes à proximité.



**AVERTISSEMENT :** Ne pas meuler avec le côté du disque découpeur. Le disque de coupe peut se briser et provoquer des blessures à l'utilisateur ou aux personnes à proximité. Utiliser seulement le bord de coupe.



**AVERTISSEMENT :** Vérifier que le disque découpeur est correctement monté et ne présente aucun signe de dommage.



**AVERTISSEMENT :** Avant d'insérer le disque dans une coupe effectuée par un autre disque, vérifier que la fente n'est pas plus mince que le disque puisque cela peut entraîner des torsions dans la fente de coupe et un rebond.

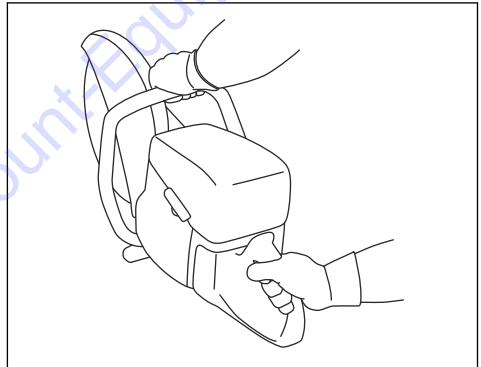


**AVERTISSEMENT :** La découpe de métal génère des étincelles qui peuvent causer un incendie. Ne pas utiliser le produit près de substances inflammables ou de gaz.

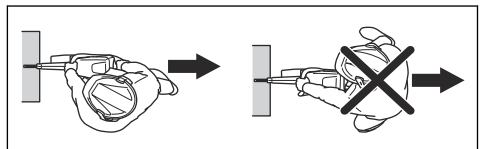
- Le produit est conçu pour découper avec des disques abrasifs collés ou des lames diamant conçus pour les produits portables à grande vitesse. Le produit ne doit pas être utilisé avec tout autre type de disque, ni pour tout autre type d'utilisation.
- S'assurer qu'on utilise le disque découpeur convenable pour l'utilisation visée. Se reporter à la

section *Disques découpeurs adéquats à la page 89* pour obtenir des instructions.

- Ne pas couper de matériau comportant de l'amiante.
- Demeurer à une distance sécuritaire du disque découpeur pendant que le moteur tourne. Ne pas essayer d'arrêter un disque en rotation avec une quelconque partie du corps. Le contact avec un disque en rotation, même si le moteur est coupé, peut entraîner des blessures graves, voire mortelles.
- Le disque découpeur continue de tourner pendant un moment après l'arrêt du moteur. S'assurer que le disque découpeur est arrêté avant de déplacer ou d'abaisser le produit. S'il est nécessaire d'arrêter rapidement le disque découpeur, le laisser légèrement toucher une surface dure.
- Ne pas déplacer le produit quand le moteur tourne.
- Tenir l'outil avec les deux mains. Maintenir fermement le produit avec les pouces et les doigts autour des poignées en plastique avec isolation. La main droite doit être sur la poignée arrière et la main gauche sur la poignée avant. Tous les opérateurs doivent utiliser cette poigne. Ne pas utiliser une découpeuse d'une seule main.



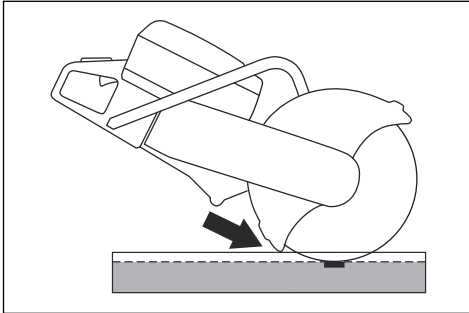
- Se tenir dans un plan parallèle à celui du disque découpeur. Éviter de se tenir juste derrière celui-ci. En cas de rebond, la scie bougera dans le plan du disque découpeur.



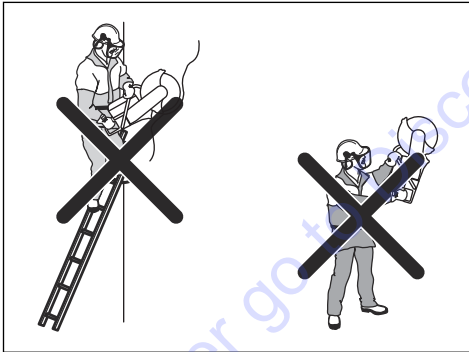
- Ne pas s'éloigner de l'outil lorsque le moteur tourne. Avant de s'éloigner du produit, arrêter le moteur et s'assurer qu'il n'y a aucun risque de démarrage accidentel.
- Utiliser la poignée de réglage du protège-lame pour régler la section arrière du protège-lame au ras de la pièce à usiner. Les étincelles et les projections de matériau coupé sont alors recueillies par le protecteur et éloignées de l'opérateur. Les protecteurs de l'équipement de coupe doivent



toujours être installés lorsque le produit est en marche.

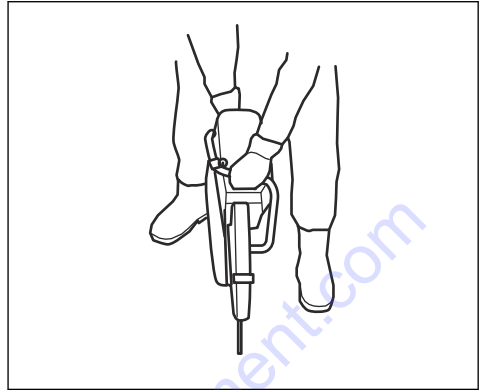


- Ne jamais utiliser la zone de rebond du disque pour couper. Se reporter à la section *Zone de rebond à la page 95* pour obtenir des instructions.
- Ne pas utiliser le produit tant que la zone de travail n'est pas dégagée et que les pieds et le corps ne sont pas en position stable.
- Ne pas couper au-dessus de la hauteur des épaules.
- Ne pas travailler sur une échelle. Si l'endroit où il faut couper se situe au-dessus de la hauteur des épaules, utiliser une plateforme ou un échafaudage. Ne pas trop se pencher vers l'avant.

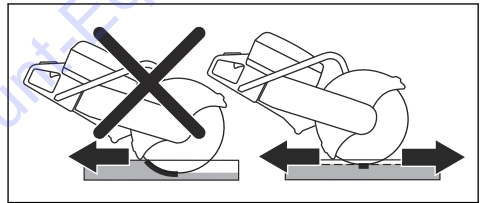


- Se tenir à une distance confortable de la pièce à usiner.
- S'assurer que le disque découpeur est libre lorsque le moteur est mis en marche.
- Appliquer le disque découpeur délicatement à haute vitesse de rotation (plein régime). Maintenir le plein régime jusqu'à la fin de la découpe.
- Laisser le produit faire le travail. Ne pas appuyer sur le disque découpeur.

- Faire avancer le produit dans l'axe du disque. Toute pression latérale peut endommager le disque et est très dangereuse.



- Déplacer le disque lentement vers l'avant et l'arrière pour obtenir une petite surface de contact entre le disque et le matériau à couper. Cela diminue la température du disque et constitue un moyen efficace de couper.



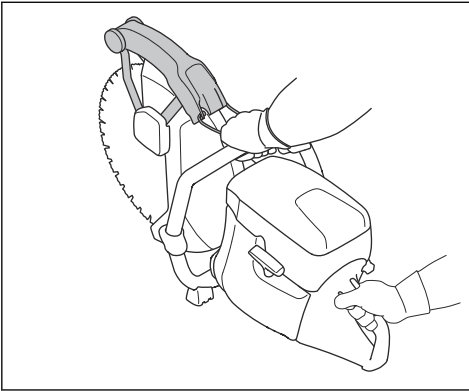
### Techniques de travail de base avec le K 970 SmartGuard



**AVERTISSEMENT :** La fonction SmartGuard est désengagée si le SmartGuard est rétracté manuellement. Ne rétracter le SmartGuard manuellement qu'en cas de nécessité et s'il n'y a aucun risque de rebond.

SmartGuard offre une plus grande couverture de la lame. Cela réduit le risque de toucher la lame en cas de rebond.

- Il est possible de rétracter le SmartGuard manuellement à l'aide de la poignée SmartGuard.
- Maintenir la poignée SmartGuard avec un doigt de la main gauche tout en maintenant la poignée avant avec les autres doigts.



## Pour réduire la poussière pendant le fonctionnement

Le produit est doté d'une trousse de découpe à l'eau pour réduire la poussière nocive dans l'air pendant le fonctionnement. La trousse de découpe à l'eau consomme peu d'eau.

- Si possible, utiliser des disques découpeurs pour découpe à l'eau avec refroidissement à l'eau. Se reporter à la section *Lames de coupe à la page 89*.
- Régler le débit d'eau au moyen du robinet. Le débit adéquat est différent pour différents types de tâches.
- S'assurer que la pression d'eau est correcte. Se reporter à la section *Caractéristiques techniques à la page 112*. Si le tuyau d'eau est placé au niveau de la source d'alimentation, la pression de l'eau fournie peut être trop élevée.

## Carburant

Cet outil est équipé d'un moteur à deux-temps.



**MISE EN GARDE :** Un type de carburant inapproprié peut endommager le moteur. Utiliser un mélange d'essence et d'huile pour moteur à deux-temps.

## Huile à moteur deux temps

- Pour obtenir un meilleur résultat et un fonctionnement optimal, utiliser l'huile pour moteur à deux-temps HUSQVARNA.
- Si l'huile pour moteur à deux temps HUSQVARNA n'est pas disponible, utiliser une huile pour moteur à deux temps de bonne qualité destinée aux moteurs refroidis à l'air. Communiquer avec votre centre de services pour sélectionner l'huile appropriée.



**MISE EN GARDE :** Ne pas utiliser l'huile pour moteur à deux temps dans des moteurs hors-bord refroidis à l'eau, également appelée huile pour

moteur hors-bord. Ne pas utiliser l'huile pour des moteurs à quatre temps.

## Carburant prémélangé

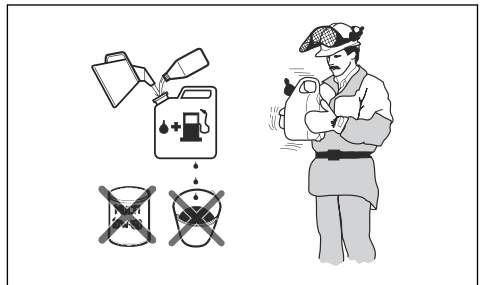
- Utiliser du carburant alkylat prémélangé HUSQVARNA, pour atteindre une performance optimale et prolonger la durée de vie du moteur. Ce carburant contient moins de substances chimiques nocives par rapport à un carburant régulier, ce qui réduit les gaz d'échappement nocifs. La quantité de dépôts après combustion est inférieure avec ce carburant, ce qui maintient les composants du moteur plus propres.

## Pour mélanger l'essence et l'huile pour moteur à deux temps

Essence, litre	Huile pour moteur à deux temps, litre
	<b>2 % (50:1)</b>
5	0,10
10	0,20
15	0,30
20	0,40
gallon US	once liquide US
1	2 ½
2 1/2	6 ½
5	12 ¾



**MISE EN GARDE :** De petites erreurs peuvent influencer considérablement le ratio de mélange lors du mélange de petites quantités de carburant. Mesurer soigneusement la quantité d'huile et s'assurer d'obtenir le mélange approprié.



1. Remplir la moitié de la quantité d'essence dans un récipient propre destiné à contenir du carburant.

2. Ajouter la quantité totale d'huile.
3. Agiter le mélange de carburant.
4. Ajouter la quantité restante d'essence dans un récipient.
5. Agiter avec précaution le mélange de carburant.



**MISE EN GARDE :** Ne pas mélanger le carburant pendant plus de 1 mois à la fois.

### Faire le plein



**MISE EN GARDE :** Ne pas utiliser d'essence à indice d'octane inférieur à 90 RON (87 AKI). Il provoque des dommages au produit.

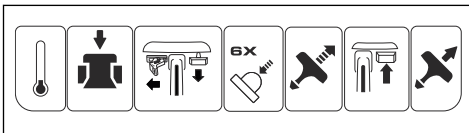


**MISE EN GARDE :** Ne pas utiliser de l'essence ayant une concentration d'éthanol supérieure à 10 % (E10). Il provoque des dommages au produit.

**Remarque :** Le réglage du carburateur est nécessaire dans certaines conditions lors du changement du type de carburant.

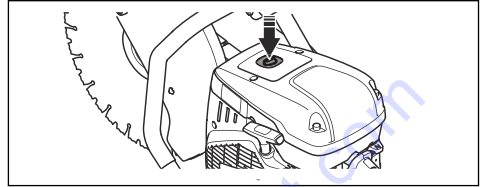
- Utiliser de l'essence à taux d'octane supérieur si vous utilisez fréquemment l'outil à régime moteur élevé en permanence.
1. Ouvrir le bouchon du réservoir de carburant lentement pour libérer la pression.
  2. Remplir le réservoir lentement avec un bidon de carburant. En cas de déversement de carburant, le nettoyer avec un chiffon et laisser le reste du carburant sécher.
  3. Nettoyer la zone autour du bouchon du réservoir de carburant.
  4. Serrer fermement le couvercle du réservoir de carburant. Si le couvercle du réservoir de carburant n'est pas bien serré, il y a un risque d'incendie.
  5. Avant de démarrer l'outil, le déplacer à au moins 3 m (10 pi) de la position où le plein de carburant a été fait.

### Démarrage du produit quand le moteur est froid

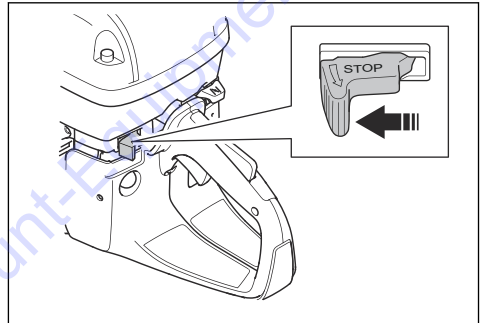


**AVERTISSEMENT :** S'assurer que le disque découpeur tourne librement. Il commence à tourner lorsque le moteur démarre.

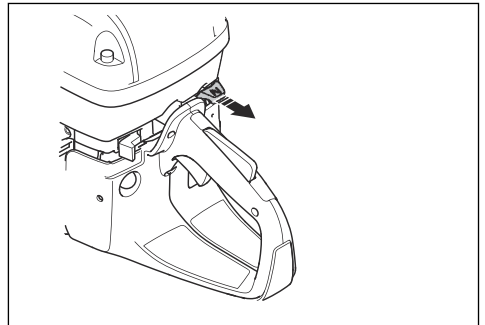
1. Appuyer sur le décompresseur pour réduire la pression dans le cylindre. Le décompresseur revient à sa position initiale lorsque le produit démarre.



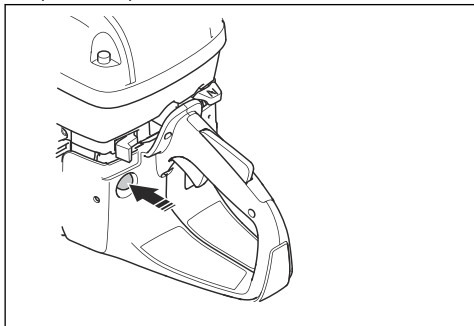
2. S'assurer que l'interrupteur STOP (ARRÊT) se trouve à la position gauche.



3. Tirer complètement le starter jusqu'à la position de démarrage.



4. Appuyer 6 fois sur la poire de purge d'air jusqu'à ce qu'elle soit pleine de carburant.

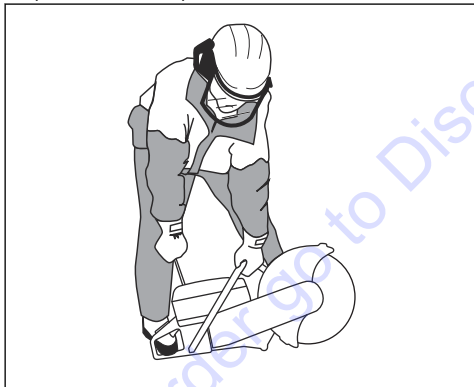


5. Saisir la poignée avant avec la main gauche.  
6. Placer le pied droit sur la partie inférieure de la poignée arrière pour pousser le produit sur le sol.



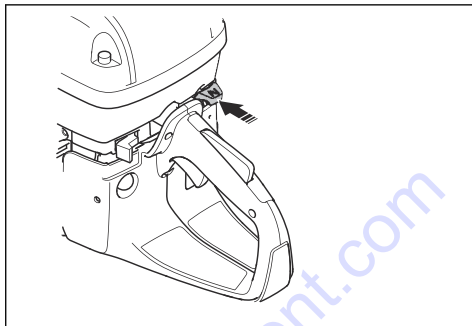
**AVERTISSEMENT :** Ne pas enrouler la corde du lanceur autour de la main.

7. Tirer lentement le câble du lanceur de la main droite jusqu'à ressentir une résistance (les cliquets de lanceur à rappel grippent). Tirer ensuite en permanence et rapidement.

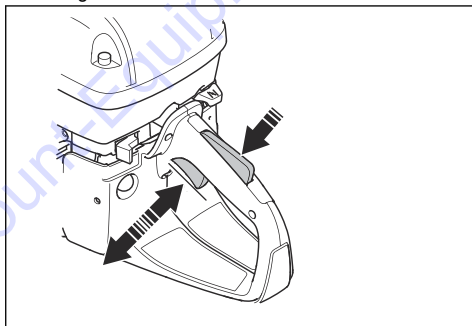


**MISE EN GARDE :** Ne pas tirer complètement la corde du lanceur et ne pas lâcher la poignée de la corde du lanceur lorsque la corde du lanceur est déployée. Cela pourrait endommager le produit.

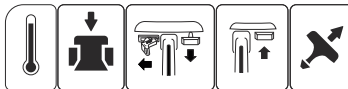
8. Pousser la commande d'étrangleur lorsque le moteur démarre. Si l'étrangleur est tiré, le moteur s'arrête après quelques secondes. Si le moteur s'arrête, tirer la poignée de la corde du lanceur à nouveau.



9. Appuyer sur la gâchette de l'accélérateur pour désengager la manette des gaz et régler le produit au régime de ralenti.



**Démarrage du produit quand le moteur est chaud**



**AVERTISSEMENT :** S'assurer que le disque découpeur tourne librement. Il commence à tourner lorsque le moteur démarre.

**TO PURCHASE THIS PRODUCT PLEASE CONTACT US**



**Equipment Financing and  
Extended Warranties Available**



**Discount-Equipment.com is your online resource for  
commercial and industrial quality parts and equipment sales.**

**561-964-4949**

**visit us on line @ [www.discount-equipment.com](http://www.discount-equipment.com)**

Select an option below to find your Equipment

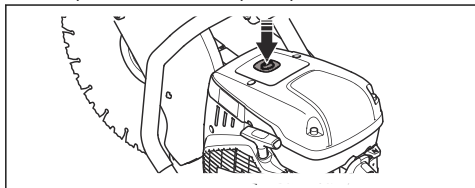
**Search by Manufacturer**

**Search by Product Type**

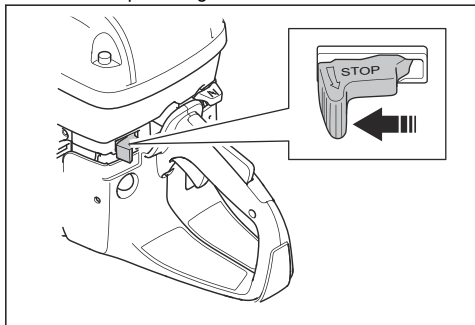
**Request a Quote**

We sell worldwide for the brands: Genie, Terex, JLG, MultiQuip, Mikasa, Essick, Whiteman, Mayco, Toro Stone, Diamond Products, Generac Magnum, Airman, Haulotte, Barreto, Power Blanket, Nifty Lift, Atlas Copco, Chicago Pneumatic, Allmand, Miller Curber, Skyjack, Lull, Skytrak, Tsurumi, Husquvarna Target, Stow, Wacker, Sakai, Mi-T-M, Sullair, Basic, Dynapac, MBW, Weber, Bartell, Bennar Newman, Haulotte, Ditch Runner, Menegotti, Morrison, Contec, Buddy, Crown, Edco, Wyco, Bomag, Laymor, EZ Trench, Bil-Jax, F.S. Curtis, Gehl Pavers, Heli, Honda, ICS/PowerGrit, IHI, Partner, Imer, Clipper, MMD, Koshin, Rice, CH&E, General Equipment, Amida, Coleman, NAC, Gradall, Square Shooter, Kent, Stanley, Tamco, Toku, Hatz, Kohler, Robin, Wisconsin, Northrock, Oztec, Toker TK, Rol-Air, APT, Wylie, Ingersoll Rand / Doosan, Innovatech, Con X, Ammann, Mecalac, Makinex, Smith Surface Prep, Small Line, Wanco, Yanmar

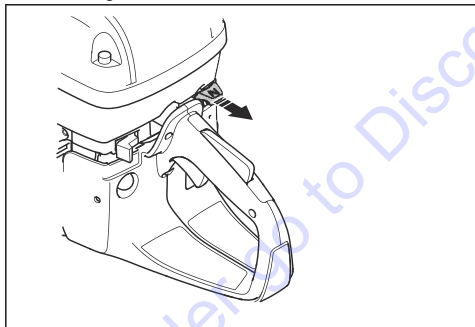
1. Appuyer sur le décompresseur pour réduire la pression dans le cylindre. Le décompresseur revient à sa position initiale lorsque le produit démarre.



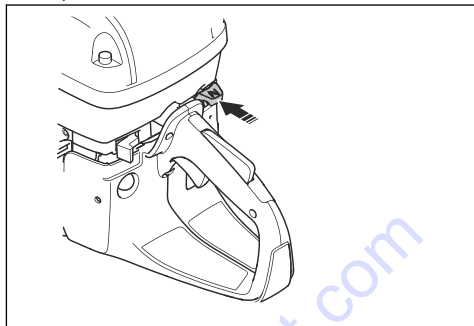
2. S'assurer que l'interrupteur STOP (ARRÊT) se trouve à la position gauche.



3. Tirer complètement le starter jusqu'à la position de démarrage.



4. Appuyer sur la commande de l'étrangleur pour désactiver l'étrangleur. La commande des gaz reste en position.



5. Saisir la poignée avant avec la main gauche.
6. Placer le pied droit sur la partie inférieure de la poignée arrière pour pousser le produit sur le sol.



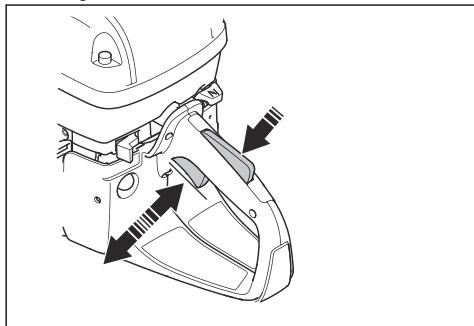
**AVERTISSEMENT :** Ne pas enrouler la corde du lanceur autour de la main.

7. Tirer lentement le câble du lanceur jusqu'à ressentir une résistance (les cliquets de lanceur à rappel grippent). Tirer ensuite en permanence et rapidement.



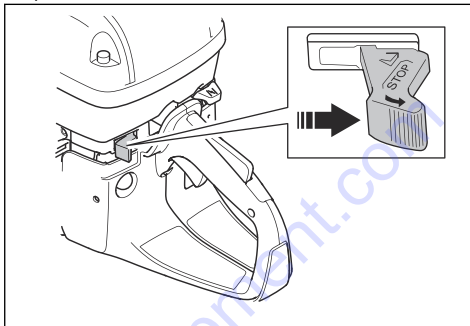
**MISE EN GARDE :** Ne pas tirer complètement la corde du lanceur et ne pas lâcher la poignée de la corde du lanceur lorsque la corde du lanceur est déployée. Cela pourrait endommager le produit.

8. Appuyer sur la gâchette de l'accélérateur pour désengager la manette des gaz et régler le produit au régime de ralenti.



que le disque découpeur tourne librement jusqu'à son arrêt complet. S'il est nécessaire d'arrêter rapidement le disque découpeur, le laisser légèrement toucher une surface dure. Risque de blessures graves.

- Déplacer l'interrupteur STOP (ARRÊT) vers la droite pour arrêter le moteur.



## Arrêt de la machine



**AVERTISSEMENT** : Le disque de coupe continue de tourner pendant un moment après l'arrêt du moteur. S'assurer

## Entretien

### Introduction



**AVERTISSEMENT** : Lire et comprendre le chapitre sur la sécurité avant de faire l'entretien du produit.

agent d'entretien, communiquer avec lui pour connaître l'agent d'entretien le plus proche.

Pour les pièces de rechange, contacter un agent d'entretien ou un revendeur HUSQVARNA.

### Calendrier d'entretien

Le calendrier d'entretien affiche l'entretien nécessaire du produit. La fréquence est calculée sur la base d'une utilisation quotidienne du produit.

Pour tous les travaux d'entretien et de réparation sur le produit, une formation spécifique est nécessaire. Nous garantissons que des réparations et des entretiens professionnels sont offerts. Si un revendeur n'est pas un

	Quotidien	Hebdomadaire	Mensuel	Annuel
<b>Nettoyer</b>	Nettoyage extérieur		Bougie d'allumage	
	Prise d'air froid		Réservoir de carburant	
<b>Inspection du fonctionnement</b>	Inspection générale	Système antivibrations*	Circuit d'alimentation	
	Fuites de carburant	Silencieux*	Filtre à air	
	Système de distribution d'eau	Courroie d'entraînement	Embrayage	
	Verrouillage de l'accélérateur*	Carburateur		
	Interrupteur d'arrêt*	Corps du lanceur		
	Protège-lame et SmartGuard*			
Lame de coupe*				
<b>Le remplacer</b>				Filtre à carburant

	Quotidien	Hebdomadaire	Mensuel	Annuel
* Se reporter à la section <i>Dispositifs de sécurité sur l'outil</i> à la page 85.				
** Se reporter à la section <i>Lames de coupe</i> à la page 89.				

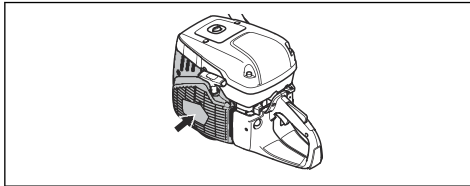
## Pour nettoyer de l'extérieur

- Rincer le produit de l'extérieur avec de l'eau propre après chaque journée d'utilisation. Au besoin, utiliser une brosse.

## Nettoyage de la prise d'air

**Remarque :** Une prise d'air sale ou obstruée entraîne une surchauffe du produit. Cela pourrait endommager le piston et le cylindre.

- Nettoyer la prise d'air au besoin.



- Éliminer toute obstruction, saleté et poussière à l'aide d'une brosse.

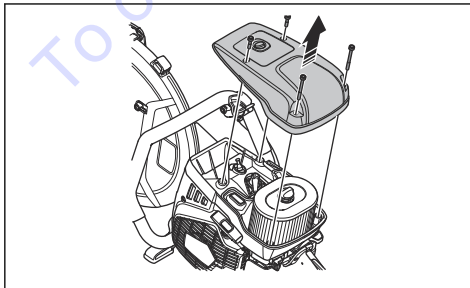
## Vérification de la bougie d'allumage



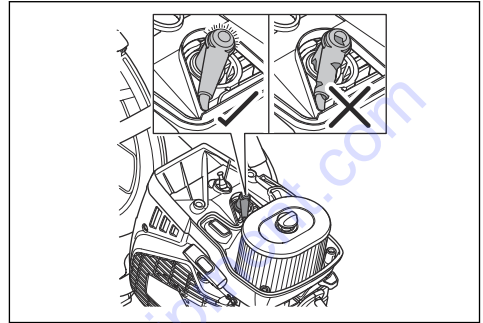
**MISE EN GARDE :** Toujours utiliser une bougie d'allumage du type recommandé. L'utilisation d'une bougie non adéquate peut endommager le piston et le cylindre. Pour obtenir la bougie d'allumage recommandée, se reporter à *Caractéristiques techniques* à la page 112.

Examiner la bougie d'allumage si la puissance du produit est faible, s'il ne démarre pas facilement ou s'il tourne mal au régime de ralenti.

- Desserrer les 4 vis et retirer le couvercle du filtre à air.

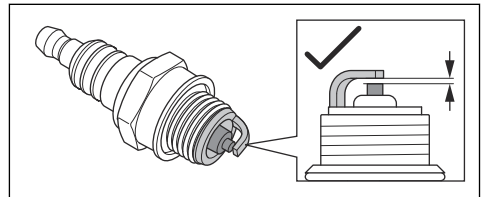


- S'assurer que le chapeau de bougie et le câble d'allumage ne sont pas endommagés.

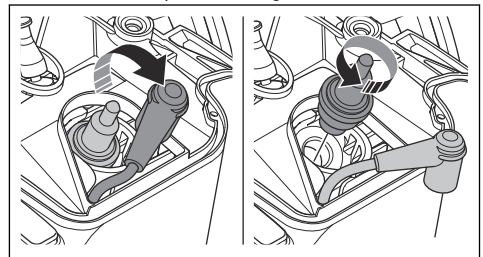


**AVERTISSEMENT :** Un chapeau de bougie et un câble d'allumage endommagés peuvent provoquer un risque d'électrocution.

- Nettoyer la bougie si elle est sale.
- Vérifier que l'écartement des électrodes est de 0,5 mm.



- Au besoin, remplacer la bougie.



## Pour effectuer une inspection générale

- S'assurer que tous les écrous et toutes les vis sur le produit sont serrés correctement.

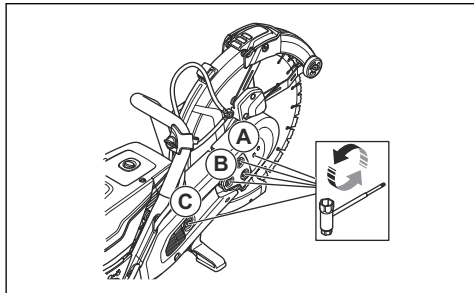


## Pour remplacer la courroie d'entraînement



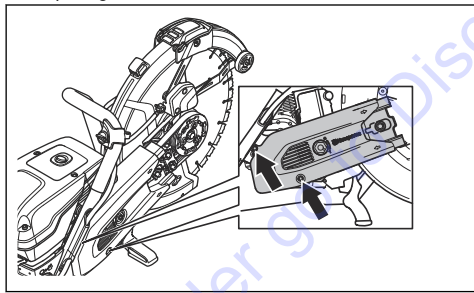
**AVERTISSEMENT :** Ne pas démarrer le produit sans tous les dispositifs de protection et couvercles installés.

1. Desserrer la vis (A).

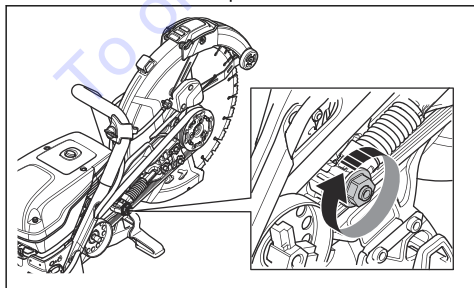


**Remarque :** Cette étape s'applique uniquement au K 970 III 400mm/16in..

2. Desserrer les 3 écrous de la tête de coupe (B) et tourner le tendeur de courroie (C) en position « 0 ».
3. Retirer le protège-courroie avant.
4. Retirer les 2 vis du protège-courroie arrière. Retirer le protège-courroie arrière.



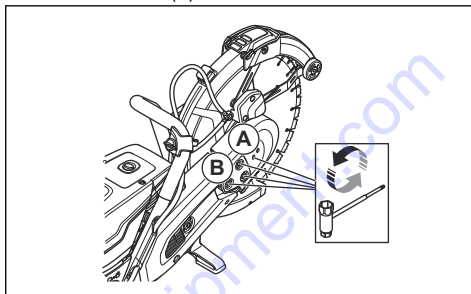
5. Remplacer la courroie d'entraînement. Tourner le tendeur de courroie en position « 1 ».



6. Installer les 2 protections de la courroie dans l'ordre inverse.
7. Régler la tension de la courroie d'entraînement. Se reporter à la section *Pour régler la tension de la courroie d'entraînement à la page 106.*

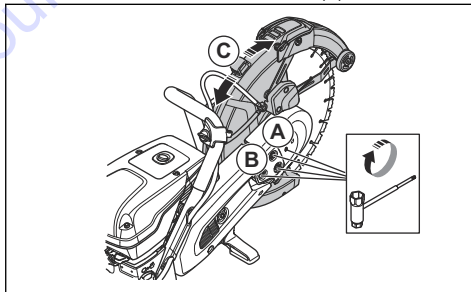
## Pour régler la tension de la courroie d'entraînement

1. Desserrer la vis (A).



**Remarque :** Cette étape s'applique uniquement au K 970 III 400mm/16in..

2. Desserrer les 3 écrous (B).
3. Déplacer le protège-lame (C) vers le haut et vers le bas 3 à 5 fois. Serrer les 3 écrous (B).



4. Serrer la vis (A).

**Remarque :** Cette étape s'applique uniquement au K 970 III 400mm/16in..

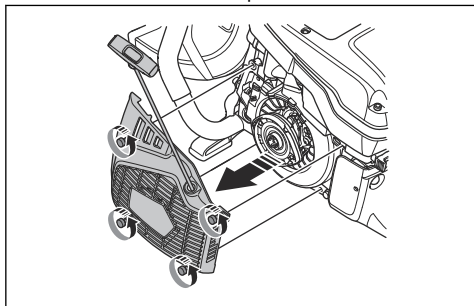
## Corps du lanceur



**AVERTISSEMENT :** Toujours être prudent et toujours utiliser des lunettes de protection lors du remplacement du ressort de rappel ou de la corde du lanceur. Il y a une tension dans le ressort amortisseur lorsqu'il est enroulé dans le corps du lanceur. Le ressort de rappel peut s'éjecter et causer des blessures.

## Pour déposer le corps du lanceur.

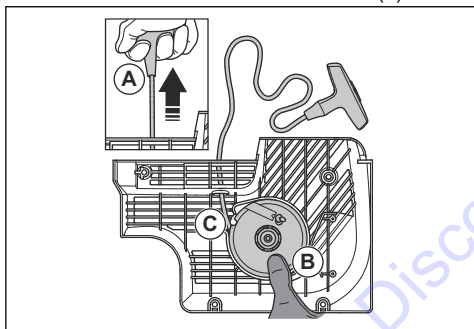
1. Desserrer les 4 vis du corps du lanceur.



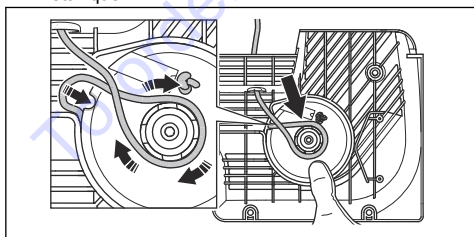
2. Déposer le corps du lanceur.

## Pour remplacer un câble du lanceur endommagé

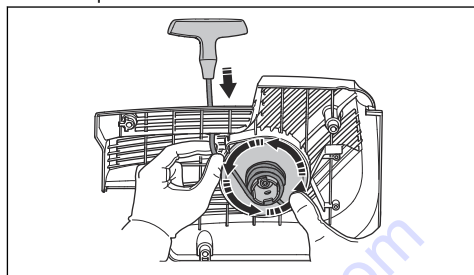
1. Tirer le câble du lanceur d'environ 30 cm (A).



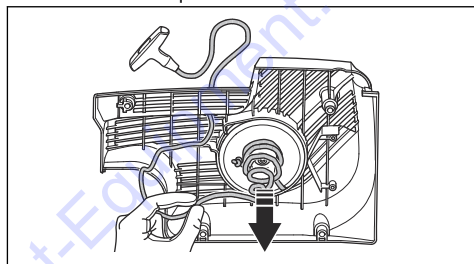
2. Saisir la poulie (B) du câble du lanceur avec le pouce.
3. Placer le câble du lanceur dans l'encoche (C) de la poulie du lanceur.
4. Placer le câble du lanceur autour du manchon métallique.



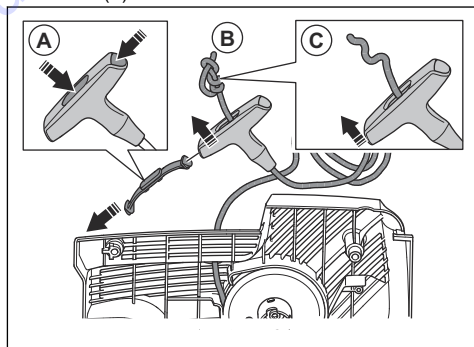
5. Laisser tourner lentement la poulie du lanceur pour enrouler le câble du lanceur autour du manchon métallique.



6. Tirer sur le câble du lanceur pour le dégager du manchon métallique.

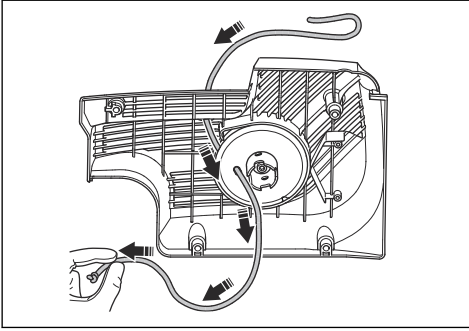


7. Retirer le couvercle de la poignée de câble du lanceur (A).



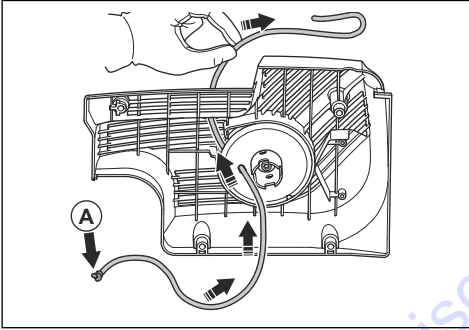
8. Tirer le câble du lanceur vers le haut à travers la poignée (B).
9. Relâcher le nœud (C).

10. Retirer le câble du lanceur.

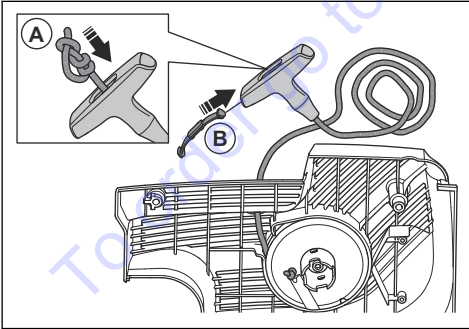


11. S'assurer que le ressort de rappel est propre et qu'il n'est pas endommagé.

12. Placer un câble de lanceur neuf (A) dans le trou du corps de lanceur.



13. Tirer le câble du lanceur à travers la poignée du câble du lanceur et faire un nœud à l'extrémité du câble du lanceur (A).

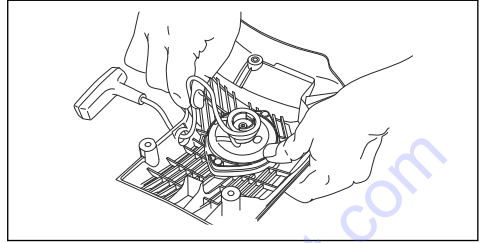


14. Fixer le couvercle sur la poignée du câble du lanceur (B).

15. Régler la tension du ressort de rappel. Se reporter à la section *Pour régler la tension du ressort de rappel* à la page 108.

## Pour régler la tension du ressort de rappel

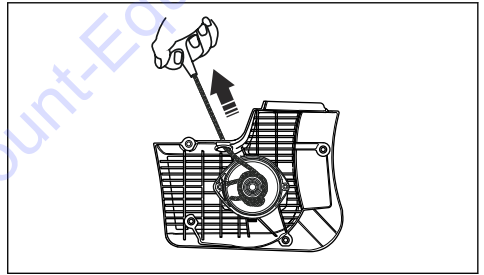
1. Placer le câble à travers l'encoche de la poulie du lanceur. Enrouler le câble sur 3 tours dans le sens horaire autour du centre de la poulie du lanceur.



2. Tirer le bouton du lanceur pour régler la tension du ressort de rappel.

3. Placer le câble à travers l'encoche de la poulie du lanceur. Enrouler le câble sur 4 tours dans le sens horaire autour du centre de la poulie du lanceur.

4. Tirer le bouton du lanceur pour régler la tension du ressort de rappel.



**Remarque :** La poignée du démarreur se met en position après le réglage de la tension.

5. Tirer complètement le câble du lanceur et vérifier que le ressort de rappel n'est pas en butée. Faire tourner la poulie du lanceur lentement avec le pouce.

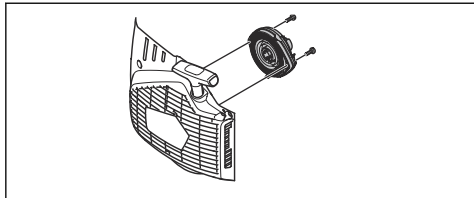
6. S'assurer que la poulie du lanceur peut être tournée d'au moins un demi-tour avant l'arrêt des mouvements du ressort de rappel.

## Pour déposer le ressort



**AVERTISSEMENT :** Toujours porter des lunettes de protection lors du retrait du ressort. Il y a un risque de blessure aux yeux, surtout si un ressort se casse.

1. Retirer les 2 vis du ressort.



2. Pousser les 2 supports de fixation des verrous d'accrochage à l'aide d'un tournevis.

## Pour nettoyer le ressort



**MISE EN GARDE :** Ne pas retirer le ressort de l'ensemble.

1. Souffler le ressort à l'aide d'air comprimé jusqu'à ce qu'il soit propre.
2. Appliquer une huile légère sur le ressort.

## Pour fixer le ressort

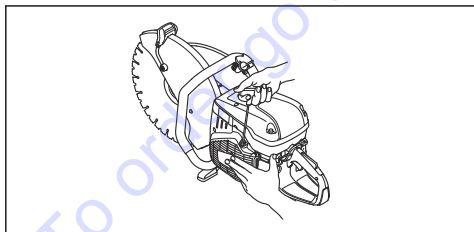
- Monter dans la séquence opposée de *Pour déposer le ressort à la page 108*.

## Pour installer le corps du lanceur



**MISE EN GARDE :** Les cliquets de lanceur à rappel doivent se trouver dans la position appropriée contre le manchon de la poulie du lanceur.

1. Placer le corps du lanceur contre le produit.
2. Tirer et relâcher lentement le câble du lanceur jusqu'à ce que la poulie s'engage dans les cliquets du lanceur.



3. Serrer les 4 vis du corps du lanceur.

## Pour examiner le carburateur

**Remarque :** Le carburateur dispose d'aiguilles rigides pour s'assurer que le produit reçoive toujours le mélange approprié d'air et de carburant.

1. Vérifier le filtre à air. Se reporter à la section *Pour examiner le filtre à air à la page 110*

2. Au besoin, remplacer le filtre à air.
3. Si la puissance et le régime du moteur continuent de baisser, communiquer avec le fournisseur de services d'entretien HUSQVARNA.

## Pour examiner le circuit d'alimentation en carburant

1. S'assurer que le couvercle du réservoir de carburant et son joint ne sont pas endommagés.
2. Vérifier la conduite de carburant. Remplacer la conduite de carburant s'il est endommagé.

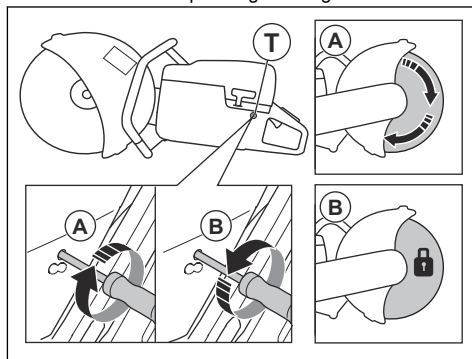
## Réglage du régime de ralenti



**AVERTISSEMENT :** Si le disque découpeur tourne au régime de ralenti, communiquer avec son fournisseur de services d'entretien. Ne pas utiliser le produit jusqu'à ce que le régime de ralenti soit correctement réglé ou réparé.

**Remarque :** Pour connaître le régime de ralenti recommandé, se reporter à la section *Caractéristiques techniques à la page 112*.

1. Démarrer le moteur.
2. Vérifier le régime de ralenti. Lorsque le carburateur est correctement réglé, le disque découpeur s'arrête lorsque le moteur est au ralenti.
3. Utiliser la vis en T pour régler le régime de ralenti.



- a) Tourner la vis dans le sens horaire jusqu'à ce que le disque découpeur commence à tourner.
- b) Tourner la vis dans le sens antihoraire jusqu'à ce que le disque découpeur s'arrête de tourner.

## Filtre à carburant

Le filtre à carburant se trouve dans le réservoir de carburant. Le filtre à carburant empêche toute contamination du réservoir de carburant lorsque le réservoir de carburant est rempli. Le filtre à carburant

doit être remplacé tous les ans ou plus fréquemment s'il est encrassé.



**MISE EN GARDE :** Ne pas nettoyer le filtre à carburant.

## Pour examiner le filtre à air

**Remarque :** Examiner le filtre à air uniquement si la puissance du moteur diminue.

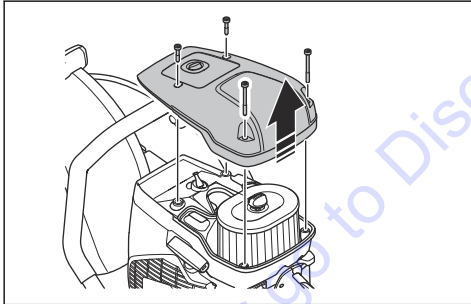


**MISE EN GARDE :** Rester prudent lors du retrait du filtre à air. Les particules qui tombent dans l'admission du carburateur peuvent causer des dommages.

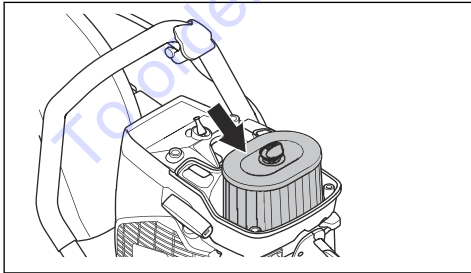


**AVERTISSEMENT :** Porter un dispositif de protection respiratoire homologué lors du remplacement du filtre à air. La poussière présente dans le filtre à air est dangereuse pour la santé. Mettre au rebut les filtres à air usés correctement.

1. Desserrer les 4 vis du couvercle du filtre à air.
2. Retirer le couvercle du filtre à air.

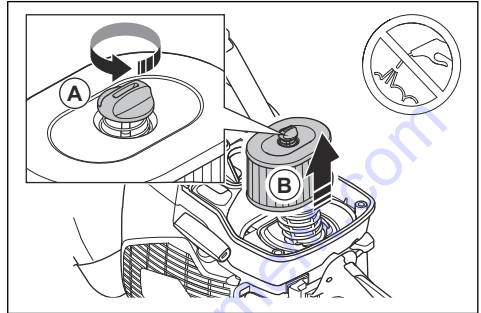


3. Examiner le filtre à air et le remplacer au besoin



**MISE EN GARDE :** Ne pas nettoyer le filtre à air ou y envoyer de l'air comprimé. Cela endommagera le filtre à air.

4. Remplacer le filtre à air au besoin.
  - a) Desserrer la vis (A) et retirer le filtre à air (B).

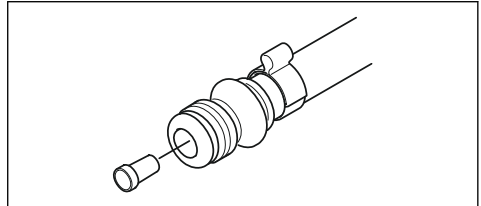


- b) Installer le filtre à air.

5. Fixer le couvercle du filtre à air et serrer les 4 vis.

## Vérification du système d'alimentation en eau

1. Examiner les buses sur le protège-lame et s'assurer qu'elles ne sont pas obstruées.
2. Nettoyer si nécessaire.
3. Examiner le filtre sur le raccord d'eau. S'assurer qu'il n'est pas obstrué.
4. Nettoyer si nécessaire.



5. Examiner les conduites et vérifier qu'elles ne sont pas endommagées.

## Dépannage

Problème	Causes	Solutions possibles
Le produit ne démarre pas	La procédure de démarrage est exécutée correctement.	Voir <i>Démarrage du produit quand le moteur est froid à la page 101</i> et <i>Démarrage du produit quand le moteur est chaud à la page 102</i> .
	L'interrupteur d'arrêt est en position droite (ARRÊT).	S'assurer que l'interrupteur d'arrêt est en position gauche (ARRÊT).
	Le réservoir ne contient pas de carburant.	Remplir avec du carburant.
	La bougie d'allumage est défectueuse.	Remplacer la bougie d'allumage.
	L'embrayage est défectueux.	Communiquer avec un atelier spécialisé.
La disque découpeur tourne au ralenti.	Le régime de ralenti est trop élevé.	Régler le régime de ralenti.
	L'embrayage est défectueux.	Communiquer avec un atelier spécialisé.
La disque découpeur ne tourne pas lorsque l'opérateur actionne l'accélération.	La courroie est trop lâche ou défectueuse.	Serrer la courroie ou la remplacer par une courroie neuve.
	L'embrayage est défectueux.	Communiquer avec un atelier spécialisé.
	La disque découpeur est mal installé.	S'assurer que le disque découpeur est bien installé.
Le produit reste hors tension lorsque l'opérateur essaie de pousser la manette de gaz en position de pleine puissance.	Le filtre à air est bouché.	Vérifier le filtre à air. Le remplacer au besoin.
	Le filtre à carburant est bouché.	Remplacer le filtre à carburant.
	Le régulateur de débit du réservoir de carburant est obstrué.	Communiquer avec un atelier spécialisé.
Les niveaux de vibration sont trop élevés.	La disque découpeur est mal installé.	S'assurer que le disque découpeur est correctement installé et qu'il n'est pas endommagé. Se reporter à la section <i>Installation du disque découpeur à la page 93</i> .
	La disque découpeur est défectueux.	Retirer le disque découpeur et s'assurer qu'il n'est pas défectueux.
	Une unité antivibrations est défectueuse.	Communiquer avec un atelier spécialisé.
La température du produit est trop élevée.	La prise d'air ou les brides de cylindre sont bloquées.	Nettoyer la prise d'air et les brides de cylindre.
	La tension de la courroie d'entraînement n'est pas suffisante.	Examiner la courroie Régler la tension.
	L'embrayage est défectueux.	Toujours couper à plein régime. Examiner l'embrayage. Communiquer avec un atelier spécialisé.
La puissance ou le régime du moteur baisse.	Le filtre à air est bouché.	Vérifier le filtre à air. Se reporter à la section <i>Pour examiner le filtre à air à la page 110</i> .

Problème	Causes	Solutions possibles
Beaucoup de poussière est générée pendant le fonctionnement. La poussière est visible dans l'air.	L'alimentation en eau ou la pression de l'eau n'est pas suffisante.	Vérifier l'alimentation en eau du produit. Se reporter à la section <i>Vérification du système d'alimentation en eau</i> à la page 110.
La SmartGuard ne tourne pas librement.	Les pièces mobiles du SmartGuard sont obstruées.	Nettoyer les pièces mobiles.
La SmartGuard ne se rétracte pas lorsque le produit est retiré de la pièce à travailler.	Les ressorts du SmartGuard ne fonctionnent pas correctement.	Vérifier les ressorts. Nettoyer les ressorts.

## Transport, entreposage et mise au rebut

### Transport et entreposage

- Immobiliser le produit en sécurité pendant le transport pour éviter tout dommage ou accident.
- Retirer le disque découpeur avant de transporter ou d'entreposer le produit.
- Garder le produit dans un endroit verrouillé hors de portée des enfants et des personnes non autorisées.
- Maintenir les disques découpeurs au sec et à l'abri du gel.
- Avant l'assemblage, vérifier que tous les disques neufs et usagés n'ont pas été endommagés lors du transport et du stockage.
- Effectuer le nettoyage et l'entretien du produit avant de le ranger. Se reporter à la section *Calendrier d'entretien* à la page 104.

- Retirer le carburant du réservoir de carburant avant le remisage pendant une période prolongée.

### Mise au rebut

- Respecter les exigences locales en matière de recyclage et la réglementation en vigueur.
- Mettre au rebut tous les produits chimiques, comme l'huile ou le carburant, dans un centre de service ou à un emplacement de mise au rebut adéquat.
- Lorsqu'on n'utilise plus le produit, l'envoyer à un détaillant HUSQVARNA ou le mettre au rebut à un emplacement de recyclage.

## Caractéristiques techniques

### Caractéristiques techniques

	K 970 III, K 970 III Rescue	K 970 SmartGuard
Cylindrée, po <sup>3</sup> /cm <sup>3</sup>	5,7/93,6	5,7/93,6
Alésage, po/mm	2,2/56	2,2/56
Longueur de déplacement, po/mm	1,5/38	1,5/38
Régime de ralenti, tr/min	2700	2700
Papillon entièrement ouvert, aucune charge, tr/min	9 300 (+/- 150)	9 300 (+/- 150)
Puissance, hp/kW @ tr/min.	6,5/4,8 à 9 000	6,5/4,8 à 9 000
Bougie d'allumage	NGK BPMR 7A	NGK BPMR 7A
Écartement des électrodes, po/mm	0,02/0,5	0,02/0,5
Capacité du réservoir de carburant, once liquide US/litres	33,8/1	33,8/1
Pression d'eau recommandée, lb/po <sup>2</sup> /bar	7-150/0,5-10	7-150/0,5-10

	K 970 III, K 970 III Rescue	K 970 SmartGuard
<b>Poids</b>		
Découpeuse sans carburant et disque découpeur de 14 pouces (350 mm), lb/kg*  *Courroie de transport, poids additionnel de 0,4kg ou 0,9lb.	24,3/11,0	26,2/11,9
Découpeuse sans carburant et disque découpeur de 16 pouces (400 mm), lb/kg	24,6/11,6	28,0/12,7
<b>Broche, arbre de sortie</b>		
Vitesse de broche max. avec disque découpeur de 14 pouces (350 mm), tr/min.	4 700	4 700
Vitesse de broche max. avec disque découpeur de 16 pouces (400mm), tr/min.	4300	4300
Vitesse périphérique max., pi/min ou m/s	18 000 ou 90	18 000 ou 90

### Dimensions du disque découpeur recommandé

Diamètre du disque découpeur, po/mm	Profondeur maximale de coupe, po/mm	Vitesse de rotation nominale du disque, tr/min	Régime nominal de la lame, pi/min ou m/s	Diamètre du trou central de la lame, po/mm	Épaisseur max. de la lame, po/mm
14/350	5/125	5500	19600 ou 100	1 /25,4 ou 0,79 /20	0,2/5
16/400	6/155	4775	19600 ou 100	1 /25,4 ou 0,79 /20	0,2/5



**TO PURCHASE THIS PRODUCT PLEASE CONTACT US**



**Equipment Financing and  
Extended Warranties Available**



**Discount-Equipment.com is your online resource for  
commercial and industrial quality parts and equipment sales.**

**561-964-4949**

**visit us on line @ [www.discount-equipment.com](http://www.discount-equipment.com)**

Select an option below to find your Equipment

**Search by Manufacturer**

**Search by Product Type**

**Request a Quote**

We sell worldwide for the brands: Genie, Terex, JLG, MultiQuip, Mikasa, Essick, Whiteman, Mayco, Toro Stone, Diamond Products, Generac Magnum, Airman, Haulotte, Barreto, Power Blanket, Nifty Lift, Atlas Copco, Chicago Pneumatic, Allmand, Miller Curber, Skyjack, Lull, Skytrak, Tsurumi, Husquvarna Target, Stow, Wacker, Sakai, Mi-T-M, Sullair, Basic, Dynapac, MBW, Weber, Bartell, Bennar Newman, Haulotte, Ditch Runner, Menegotti, Morrison, Contec, Buddy, Crown, Edco, Wyco, Bomag, Laymor, EZ Trench, Bil-Jax, F.S. Curtis, Gehl Pavers, Heli, Honda, ICS/PowerGrit, IHI, Partner, Imer, Clipper, MMD, Koshin, Rice, CH&E, General Equipment, Amida, Coleman, NAC, Gradall, Square Shooter, Kent, Stanley, Tamco, Toku, Hatz, Kohler, Robin, Wisconsin, Northrock, Oztec, Toker TK, Rol-Air, APT, Wylie, Ingersoll Rand / Doosan, Innovatech, Con X, Ammann, Mecalac, Makinex, Smith Surface Prep, Small Line, Wanco, Yanmar



To order go to [Discount-Equipment.com](http://Discount-Equipment.com)

Original instructions  
Instrucciones originales  
Instructions d'origine

1142213-49



2021-05-19 Rev 2