

To order go to [Discount-Equipment.com](http://Discount-Equipment.com)

**Operator's manual Manuel d'utilisation  
Manual de instrucciones**

**DM340**



Please read the operator's manual carefully and make sure you understand the instructions before using the machine.  
Lire attentivement et bien assimiler le manuel d'utilisation avant d'utiliser la machine.  
ea detenidamente el manual de instrucciones y asegúrese de entender su contenido antes de utilizar la máquina

**US CA ES**

**TO PURCHASE THIS PRODUCT PLEASE CONTACT US**



**Equipment Financing and  
Extended Warranties Available**



**Discount-Equipment.com is your online resource for  
commercial and industrial quality parts and equipment sales.**

**561-964-4949**

**visit us on line @ [www.discount-equipment.com](http://www.discount-equipment.com)**

Select an option below to find your Equipment

**Search by Manufacturer**

**Search by Product Type**

**Request a Quote**

We sell worldwide for the brands: Genie, Terex, JLG, MultiQuip, Mikasa, Essick, Whiteman, Mayco, Toro Stone, Diamond Products, Generac Magnum, Airman, Haulotte, Barreto, Power Blanket, Nifty Lift, Atlas Copco, Chicago Pneumatic, Allmand, Miller Curber, Skyjack, Lull, Skytrak, Tsurumi, Husquvarna Target, Stow, Wacker, Sakai, Mi-T-M, Sullair, Basic, Dynapac, MBW, Weber, Bartell, Bennar Newman, Haulotte, Ditch Runner, Menegotti, Morrison, Contec, Buddy, Crown, Edco, Wyco, Bomag, Laymor, EZ Trench, Bil-Jax, F.S. Curtis, Gehl Pavers, Heli, Honda, ICS/PowerGrit, IHI, Partner, Imer, Clipper, MMD, Koshin, Rice, CH&E, General Equipment, Amida, Coleman, NAC, Gradall, Square Shooter, Kent, Stanley, Tamco, Toku, Hatz, Kohler, Robin, Wisconsin, Northrock, Oztec, Toker TK, Rol-Air, APT, Wylie, Ingersoll Rand / Doosan, Innovatech, Con X, Ammann, Mecalac, Makinex, Smith Surface Prep, Small Line, Wanco, Yanmar

# KEY TO SYMBOLS

## Symbols on the machine

**WARNING!** The machine can be a dangerous tool if used incorrectly or carelessly, which can cause serious or fatal injury to the operator or others.



Please read the operator's manual carefully and make sure you understand the instructions before using the machine.



Wear personal protective equipment. See instructions under the heading "Personal protective equipment".



**Environmental marking.** Symbols on the product or its packaging indicate that this product cannot be handled as domestic waste. It must instead be submitted to an appropriate recycling station for the recovery of electrical and electronic equipment.



By ensuring that this product is taken care of correctly, you can help to counteract the potential negative impact on the environment and people that can otherwise result through the incorrect waste management of this product.



For more detailed information about recycling this product, contact your municipality, your domestic waste service or the shop from where you purchased the product.

Ensure that water cannot leak into the machine when drilling in the ceiling. Use an appropriate water collector.



**Other symbols/decals on the machine refer to special certification requirements for certain markets.**

## Explanation of warning levels

The warnings are graded in three levels.

### WARNING!



**WARNING!** Used if there is a risk of serious injury or death for the operator or damage to the surroundings if the instructions in the manual are not followed.

### CAUTION!



**CAUTION!** Used if there is a risk of injury to the operator or damage to the surroundings if the instructions in the manual are not followed.

### NOTICE!

**NOTICE!** Used if there is a risk of damage to materials or the machine if the instructions in the manual are not followed.

# CONTENTS

## Contents

### KEY TO SYMBOLS

Symbols on the machine .....	2
Explanation of warning levels .....	2

### CONTENTS

Contents .....	3
----------------	---

### PRESENTATION

DM 340 .....	4
--------------	---

### WHAT IS WHAT?

What is what on the drilling machine? .....	5
---	---

### SAFETY INSTRUCTIONS

Steps before using a new drilling machine .....	6
Personal protective equipment .....	6
General safety precautions .....	7
General working instructions .....	8
Machine's safety equipment .....	9

### STARTING AND STOPPING

Before starting .....	10
Starting .....	10
Stopping .....	10

### MAINTENANCE

General .....	11
Changing the drill bit .....	11
Cleaning .....	11
Electrical Feed .....	11
Changing the gearbox oil .....	11
Replacing the carbon brushes .....	12
Replacing the seal retainer .....	12
Daily maintenance .....	12
Repairs .....	12

### TECHNICAL DATA

Technical data .....	13
----------------------	----

### US WARRANTY STATEMENT

WARRANTY POLICY .....	14
EQUIPMENT .....	14

### WIRING DIAGRAM

Wiring diagram .....	15
----------------------	----

## Note the following before starting:



**WARNING!** Cutting, especially when DRY cutting, generates dust that comes from the material being cut, which frequently contains silica. Silica is a basic component of sand, quartz, brick clay, granite and numerous other minerals and rocks. Exposure to excessive amount of such dust can cause:

Respiratory disease (affecting your ability to breath), including chronic bronchitis, silicosis and pulmonary fibrosis from exposure to silica. These diseases may be fatal;

Skin irritation and rash.

Cancer according to NTP\* and IARC\* \*/ National Toxicology Program, International Agency for Research on Cancer

Take precautionary steps:

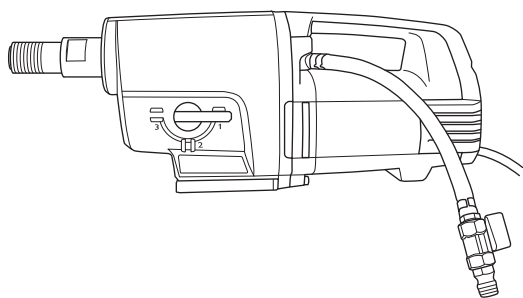
Avoid inhalation of and skin contact with dust, mist and fumes.

Wear and ensure that all bystanders wear appropriate respiratory protection such as dust masks designed to filter out microscopic particles. (See OSHA 29 CFR Part 1910.1200)

Wet cut when feasible, to minimize dust.

# PRESENTATION

## DM 340



It is our wish that you will be satisfied with your product and that it will be your companion for a long time. Think of this operator's manual as a valuable document. By following its' content (using, service, maintenance etc) the life span and the second-hand value of the machine can be extended. If you ever lend or sell this machine, make sure that the borrower or buyer gets the operator's manual, so they will also know how to properly maintain and use it.

A purchase of one of our products gives you access to professional help with repairs and services. If the retailer who sells your machine is not one of our authorised dealers, ask him for the address of your nearest service workshop.

Husqvarna Construction Products has a policy of continuous product development. Husqvarna reserves the right to modify the design and appearance of products without prior notice and without further obligation introduce design modifications.

- DM 340 is an electric stand drill, intended for drilling holes in concrete, bricks and various stone materials.
- The drilling machine has a modular design and is easy to assemble.
- The machine is equipped with a water connection which can be rotated 180 degrees to facilitate work.
- DM 340 has three speed ranges for drill bit sizes up to 400 mm.
- The machine has a water cooled gearbox with a pipe that runs through the spindle.
- The machine is equipped with LEDs which indicate the power output. This way you can always get maximum power output without damaging the machine.

The drilling machine is equipped with Softstart™, Smartstart™, Elgard™ and speed control.

### Softstart™

Softstart™ is an electronic current limiter which provides a softer start. Maximum speed is reached about three seconds after the machine is turned on.

### Smartstart™

If the Smartstart™ button is pressed the speed is reduced. In Smartstart™ mode the machine has less power until the button is pressed in again. These functions are of great use for creating a pilot hole for drilling.

### Elgard™

Elgard™ is an electronic overload protection. It considers factors such as rated input voltage and ambient temperature. This way you can always get maximum power output without damaging the machine.

If the motor is overloaded, the overload protection pulses the motor. Reduce the load and the motor returns to its normal speed. The overload protection disconnects the power, if the machine is subjected to heavy loads or if the drill bit jams. Reset the machine by switching it off and then on again. If the drill bit jams, the mechanical slip clutch protects the gearbox before the overload protection disconnects the power.

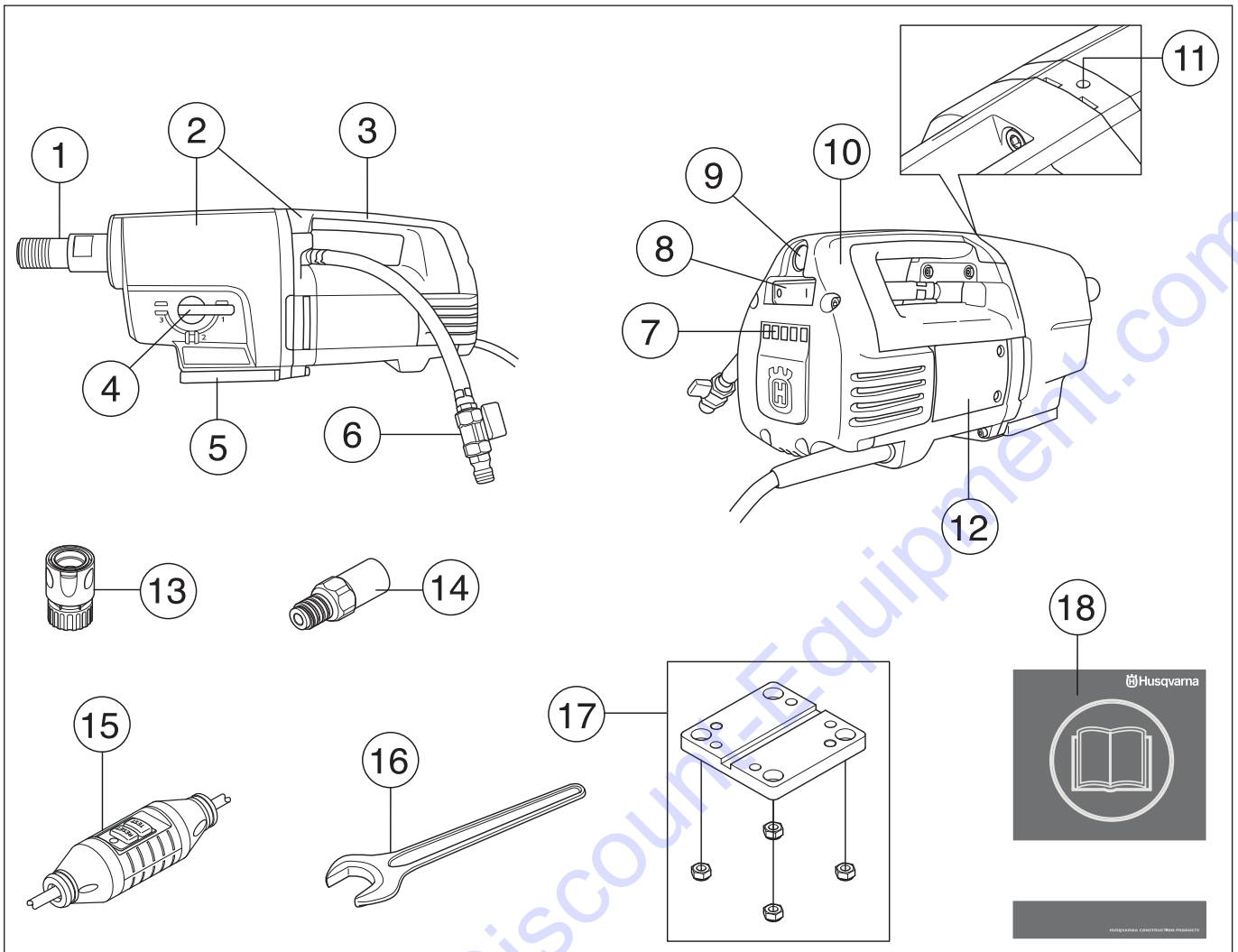
### Speed control

The speed control function provides the machine with a limited idling speed. This provides a more effective cooling of the machine at idle speed.

### Ergonomics

The carrying handle makes it easy to carry/transport the machine and facilitates mounting it on the stand.

# WHAT IS WHAT?



## What is what on the drilling machine?

- |                                    |                                     |
|------------------------------------|-------------------------------------|
| 1 Drill spindle                    | 10 Inspection cover                 |
| 2 Gearbox and motor module         | 11 Leakage hole                     |
| 3 Carrying handle                  | 12 Inspection hatch                 |
| 4 Gear knob                        | 13 Junction coupling (accessory)    |
| 5 Quick mount, for Husqvarna stand | 14 Adapter (accessory)              |
| 6 Wash-out port                    | 15 Ground fault circuit interrupter |
| 7 LEDs for indicating power output | 16 Open-ended spanner, 32 mm        |
| 8 Power switch                     | 17 Engine mount, stand              |
| 9 Smart Start®                     | 18 Operator's manual                |

# SAFETY INSTRUCTIONS

## Steps before using a new drilling machine

- Do not use the drilling machine without first reading and understanding the contents of this Operator's Manual.
- DM 340 is an electric stand drill, intended for drilling holes in concrete, bricks and various stone materials.
- The machine is intended for use in industrial applications by experienced operators. Use in any other way is considered as contrary to the intended use.

## Always use common sense

It is not possible to cover every conceivable situation you can face when using a drilling machine. Always exercise care and use your common sense. Avoid all situations which you consider to be beyond your capability. If you still feel uncertain about operating procedures after reading these instructions, you should consult an expert before continuing. Do not hesitate to contact Discount-equipment if you have any more questions about the use of the drilling machine. We will willingly be of service and provide you with advice as well as help you to use your drilling machine both efficiently and safely.

Let Discount-equipment check the drilling machine regularly and make essential adjustments and repairs.

Husqvarna Construction Products has a policy of continuous product development. Husqvarna reserves the right to modify the design and appearance of products without prior notice and without further obligation introduce design modifications.

All information and all data in the Operator's Manual were applicable at the time the Operator's Manual was sent to



**WARNING! Under no circumstances should you modify the original design of the machine without approval from the manufacturer. Always use original spare parts. Unauthorized modifications and/or accessories may lead to serious injury or death to the user or others.**



**WARNING! Some dust created by power sanding, sawing, grinding, drilling, and other construction activities contains chemicals known (to the State of California) to cause cancer, birth defects or other reproductive harm. Some examples of these chemicals are:**

**Lead from lead-based paints.**

**Crystalline silica from bricks, cement and other masonry products.**

**Arsenic and chromium from chemically treated lumber.**

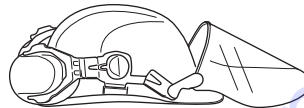
**Your risk from these exposures varies, depending on how often you do this type of work. To reduce your exposure to these chemicals: work in a well ventilated area, and work with approved safety equipment, such as those dust masks that are specially designed to filter out microscopic material.**

## Personal protective equipment

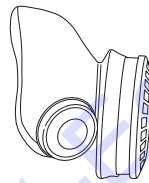


**WARNING! You must use approved personal protective equipment whenever you use the machine. Personal protective equipment cannot eliminate the risk of injury but it will reduce the degree of injury if an accident does happen. Ask your dealer for help in choosing the right equipment.**

- Protective helmet
- Hearing protection
- Protective goggles or a visor



- Breathing mask



- Heavy-duty, firm grip gloves.



- Tight-fitting, heavy-duty and comfortable clothing that permits full freedom of movement.



- Boots with steel toe-caps and non-slip sole



- Always have a first aid kit nearby.





# SAFETY INSTRUCTIONS

## General safety precautions



**WARNING! Read all safety warnings and all instructions. Failure to follow the warnings and instructions may result in electric shock, fire and/or serious injury.**

### Work area safety

- **Keep work area clean and well lit.** Cluttered or dark areas invite accidents.
- **Do not operate power tools in explosive atmospheres, such as in the presence of flammable liquids, gases or dust.** Power tools create sparks which may ignite the dust or fumes.
- People and animals can distract you causing you to lose control of the machine. For this reason, always remain concentrated and focused on the task.
- Do not use the machine in bad weather, such as dense fog, heavy rain, strong wind, intense cold, etc. Working in bad weather is tiring and can lead to dangerous conditions, e.g. slippery surfaces.
- Never start to work with the machine before the working area is clear and you have a firm foothold. Look out for any obstacles with unexpected movement. Ensure that no material can become loose and fall, causing injury when operating the machine.
- Always check the rear side of the surface where the drill bit will emerge when drilling right through. Secure and cordon off the area and make sure that no one can be injured or material damaged.

### Electrical safety



**WARNING! There is always a risk of shocks from electrically powered machines. Avoid unfavourable weather conditions and body contact with lightning conductors and metal objects. Always follow the instructions in the Operator's manual to avoid damage.**



**WARNING! Do not wash the machine with water, as water can enter the electrical system or the engine and cause damage to the machine or short circuit.**

- Never use the tool without the ground fault circuit interrupter delivered with the tool.
- The machine should be connected to an earthed outlet socket.
- Check that the mains voltage corresponds with that stated on the rating plate on the machine.
- Check that the cord and extension cord are intact and in good condition. Use an extension cord intended for outdoor use.
- Never use the machine if any cable or plug is damaged, but hand it in to an authorized service workshop for repair.

- To avoid overheating do not use the extension cord while it is rolled up.
- Never carry the machine by means of the cord and never pull out the plug by pulling the cord.
- Keep all cords and extension cords away from water, oil and sharp edges. Make sure the cord is not pinched in doors, fences or the like. Otherwise it can cause the object to become live.
- The water system cools the drill bit with clean water. The power tool should not be exposed to more moisture than what is provided by the water system. Make sure that no drill slurry enters the machine.
- Do not expose the power tool to rain. Water entering a power tool will increase the risk of electric shock.
- Ensure the cord is behind you when you start to use the machine so that the cord will not be damaged.

### Personal safety

- Wear personal protective equipment. See instructions under the heading "Personal protective equipment".
- Never use the machine if you are tired, if you have drunk alcohol, or if you are taking medication that could affect your vision, your judgement or your co-ordination.
- Prevent unintentional starting. Ensure the switch is in the OFF-position before connecting to power source. Carrying power tools with your finger on the switch or energising power tools that have the switch on invites accidents.
- **Remove any adjusting key or wrench before turning the power tool on.** A wrench or a key left attached to a rotating part of the power tool may result in personal injury.
- Never allow anyone else to use the machine without first ensuring that they have read and understood the contents of the operator's manual.
- Be careful as clothing, long hair, and jewellery can get caught in moving parts.
- Remain at a distance from the drill bit when the motor is running.
- Make sure that no pipes or electrical cables are routed in the area to be drilled.
- Never leave the machine unsupervised with the motor running.
- Always unplug the machine during longer work breaks.
- Never work alone, always ensure there is another person close at hand. Apart from being able to receive help to assemble the machine, you can also get help if an accident should occur.



# SAFETY INSTRUCTIONS

## Use and care

- Never use a machine that is faulty. Carry out the safety checks, maintenance and service instructions described in this manual. Some maintenance and service measures must be carried out by trained and qualified specialists. See instructions under the heading Maintenance.
- Inspection and/or maintenance should be carried out with the motor switched off and the plug disconnected.
- **Do not use the power tool if the switch does not turn it on and off.** Any power tool that cannot be controlled with the switch is dangerous and must be repaired.
- Never use a machine that has been modified in any way from its original specification.
- Do not overload the machine. Overloading can damage the machine.
- Keep tools sharp and clean in order to enable safer work.
- Keep all parts in good working order and ensure that all fixtures are properly tightened.

## Transport and storage

- Do not store or transport the drilling machine with the drill bit fitted in order to protect your drilling machine and drill bits from damage.
- Store the drilling machine in a lockable area so that it is out of reach of children and unauthorised persons.
- Store the drilling machine and stand in dry and frost free conditions.

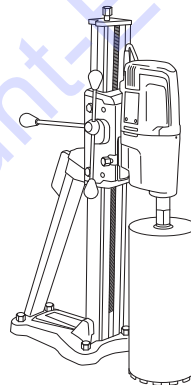
## General working instructions



**WARNING!** This section takes up the basic safety precautions for working with the drilling machine. This information is never a substitute for professional skills and experience. If you encounter a situation where you are uncertain how to proceed you should ask an expert. Contact Discount-equipment. Do not attempt any task that you feel unsure of!

- The machine has a very high torque. This demands good concentration during work, as serious personal injuries can occur if the drill bit suddenly jams.
- Keep your hands at a safe distance from the drill spindle and drill bit when the machine is running.
- Keep an eye open for oil or water leakage. If water or oil trickles out from the leakage hole on the top of the pinion neck, the seals must be replaced.

## Stand drilling



- The machine is intended for stand mounted drilling.
- The following Husqvarna drill stands are recommended for use with the drill motor:
  - DS 50 AT/ATS/Gyro/COMBO/BASIC
  - DS 70 AT/ATS
  - DS 450 ATS
- Make sure that the stand is secured correctly.
- Make sure that the drilling machine is secured correctly in the stand.

## Drilling outdoors

- Always use extension cables that are approved for outdoor use.

## Drilling in ceilings and the like

- Use a water collector to avoid water penetrating into the machine.

# SAFETY INSTRUCTIONS

## Machine's safety equipment

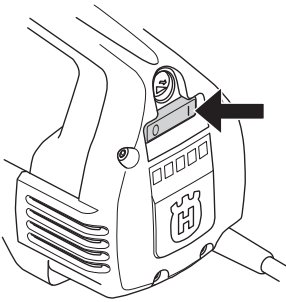
This section describes the machine's safety equipment, its purpose, and how checks and maintenance should be carried out to ensure that it operates correctly. See the "What is what?" section to locate where this equipment is positioned on your machine.



**WARNING! Never use a machine that has faulty safety equipment!**

**IMPORTANT!** All servicing and repair work on the machine requires special training. This is especially true of the machine's safety equipment. If your machine fails any of the checks described below you must contact Discount-equipment. When you buy any of our products we guarantee the availability of professional repairs and service. If the retailer who sells your machine is not a servicing dealer, ask him for the address of your nearest service agent.

## Power switch



The power switch should be used to start and stop the machine.

## Checking the power switch

- Start the machine by switching on the on-off switch.
- Switch the on-off switch off to stop the machine.
- A defective power switch should be replaced by an authorized service workshop.

## Ground fault circuit interrupter

Ground fault circuit interrupters are for protection in case an electrical fault should occur.

The LED indicates that the ground fault circuit interrupter is on and that the machine can be switched on. If the LED is not on, push the RESET button (green).



## Check the ground fault circuit interrupter

- Connect the machine to the socket. Push the RESET button (green) and the red LED lights up.



- Start the machine by pressing the power switch.
- Push the TEST button (blue).



- The ground fault circuit interrupter should trip and the machine switch off instantly. If not, contact Discount-equipment.
- Reset with the RESET button (green).

# STARTING AND STOPPING

## Before starting



**WARNING!** Note the following before starting:

The machine should be connected to an earthed outlet socket.

Never use the tool without the ground fault circuit interrupter delivered with the tool. Check the ground fault circuit interrupter. See instructions under the heading Checking, maintaining and servicing the machine's safety equipment.

Check that the mains voltage corresponds with that stated on the rating plate on the machine.

Ensure you stand firmly. Keep people and animals well away from the working area.

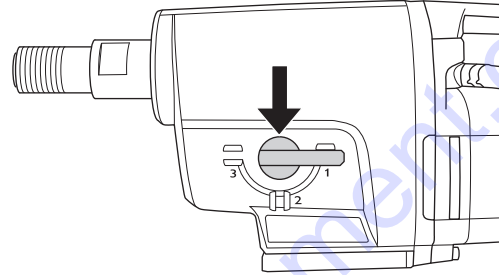
Make sure that:

- Power switch, cord and electrical outlet are intact. If not, they must be replaced by an authorised repairman.
- Cooling air vents are not blocked.
- The machine and its equipment are correctly installed.
- The stand is properly fixed and that the drill is properly mounted on the stand.
- The drill is secured properly.
- Water cooling is undamaged and connected to the machine.
- Use suitable drill bits depending on whether water or dry drilling is being performed. In the event of uncertainty contact Discount-equipment.
- Prevent unintentional starting. Ensure the switch is in the OFF-position before connecting to power source.

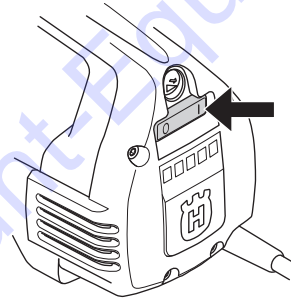
## Starting

**IMPORTANT!** Changing gear may only be done when the machine is switched off. Otherwise there is a risk of damaging the gearbox.

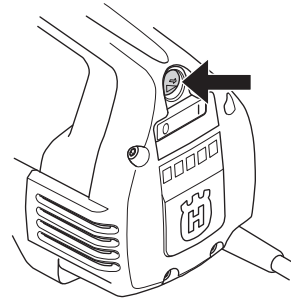
- 1 Set the working speed by turning the drill spindle and at the same time move the gear knob to the required position.



- 2 Turn on the water cooling.
- 3 Start the machine by switching on the on-off switch.



Also press, if desired, the Smartstart™ button.



## Stopping



**WARNING!** The drill bit continues to rotate for a while after the motor has been switched off.

Do not stop the drill bit with your hands. Personal injuries can occur.

Switch the on-off switch off to stop the machine.

## Cooling

Run the machine unloaded for a minute or two to cool the motor.

# MAINTENANCE

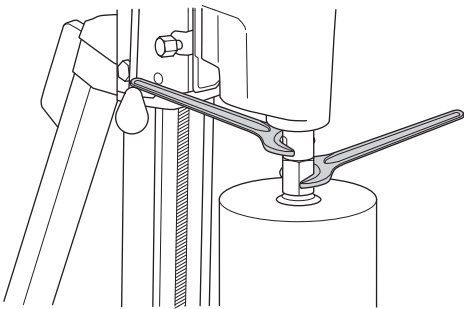
## General

**IMPORTANT!** Inspection and/or maintenance should be carried out with the motor switched off and the plug disconnected.

The lifetime of your machine can be extended considerably if it is used, cared for and maintained in the proper manner.

## Changing the drill bit

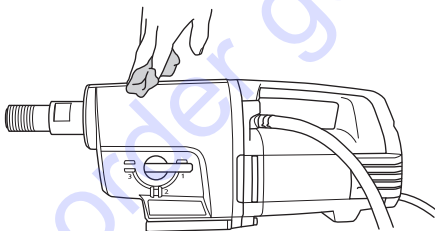
- 1 Pull out the plug.
- 2 Get:
  - The new drill bit.
  - Open-ended spanners, size 24 mm and 32 mm.
  - Water-resistant grease.
- 3 Remove the old drill bit using the open-ended spanners.
- 4 Apply water-resistant grease to the thread of the new drill bit.
- 5 Attach the drill bit using the open-ended spanners.



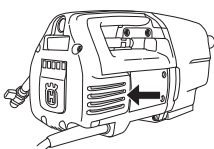
Before the machine is started, carefully check that the new bit is firmly attached.

## Cleaning

- Keep the machine and drill bit clean in order for drilling to be carried out safely.



- Keep the handle dry and free of grease and oil.
- In order for the machine to always be cooled sufficiently the cooling air openings must be kept clear and clean.



- Use compressed air to periodically clean the motor. Remove the inspection cover and clean the cover.

## Electrical Feed



**WARNING!** Never use damaged cables. They can cause serious, even fatal, personal injuries.

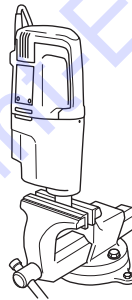
Check that the cord and extension cord are intact and in good condition. Never use the machine if the cord is damaged, hand it in to an authorized service workshop for repair.

## Changing the gearbox oil

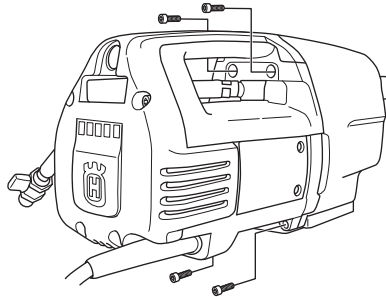
Contact Discount-equipment to get the right oil.

The oil in the gearbox must be changed after every 400 hours of operation. Do as follows:

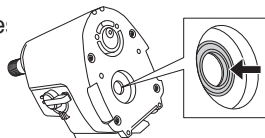
- 1 Get:
  - New oil, STATOIL SYNTOL 75W-90 or other similar transmission oil.
  - A container for the old oil.
- 2 Secure the machine with drill spindle downwards in a vice or the like.



- 3 Unscrew the four screws holding the motor - gearbox modules together.



- 4 Carefully disassemble the machine.
- 5 Empty the gearbox oil into the container.
- 6 If necessary contact Discount-equipment to clean the gearbox. 7 Pour the new oil into the gearbox, about 0.5 litre.



- 8 Check that the sealing lip on the radial seal is intact.
- 9 Reassemble the machine and screw in the four screws. Be careful when assembling so as not to damage the radial seal.

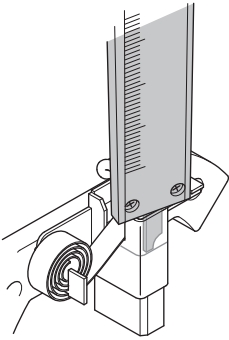
# MAINTENANCE

## Replacing the carbon brushes

The carbon brushes must be removed and checked regularly. Weekly if the machine is used daily or at longer intervals if the machine is used more seldom. The area of wear should be even and undamaged.

You should replace the carbon brushes when around half is left.

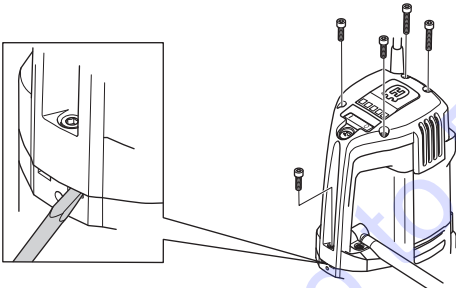
You can easily measure this using a slide gauge without removing the brushes.



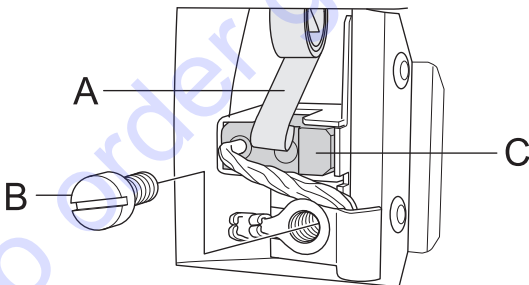
Replace the carbon brushes when the distance from the brush holder to the top level of the brush exceed 0,4 inch/10 mm.

Both carbon brushes must always be replaced as a pair, but one at a time. Do as follows:

- 1 Remove the 5 screws from the inspection cover. Use a chisel in the break tracks to easier remove the inspection cover.



- 2 Lift the brush retainer spring to one side (1).



- 3 Loosen the screw (2).
- 4 Pull out the carbon brush connector.
- 5 Pull out the coal brush from the holder (3).
- 6 Clean the brush holder with compressed air or a brush. Replace the brush if worn.
- 7 Fit the new carbon brush. Make sure that the side with the copper wire is facing the gear box and that the carbon brush slides easily in the brush retainer. If the carbon brush is fitted in the wrong direction it can get jammed.

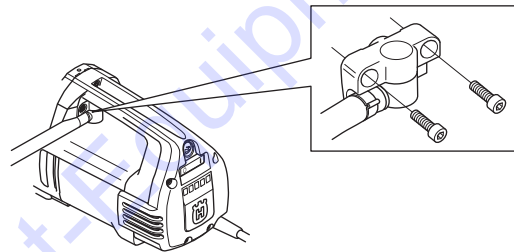
- 8 Put the brush holder spring back into place.
- 9 Insert the carbon brush connection under the screw.
- 10 Repeat the procedure with the other carbon brush.
- 11 Guide the inspection cover into the handle's tracks. Begin with the screw at the very bottom of the handle and unscrew the inspection cover's five screws.
- 12 Let the machine idle for 20 minutes to run in the new carbon brushes.

Let the machine idle for 20 minutes with the Smartstart (R) activated to run in the new carbon brushes.

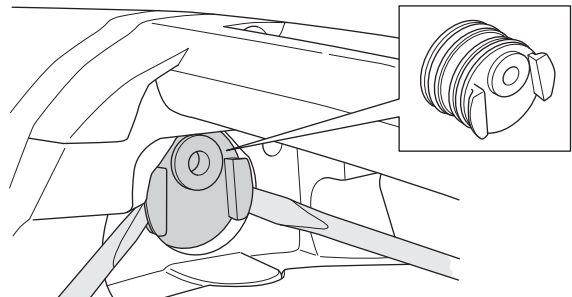
## Replacing the seal retainer

If there is oil or water coming out of the leakage hole the seal retainer must be replaced.

- 1 Loosen the two screws for the water module.



- 2 Use two flathead screwdrivers to carefully prize open the seal retainer.
- 3 Carefully push in the new seal retainer and screw the water module back on.



## Daily maintenance

- 1 Check that nuts and screws are tight.
- 2 Check that the power switch unit works smoothly.
- 3 Clean the outside of the machine.
- 4 Check and clean the cooling air openings.
- 5 Check that the cord and extension cord are intact and in good condition.

## Repairs

Important All types of repairs may only be carried out by authorised repairmen. This is so that the operators are not exposed to great risks.

---

# TECHNICAL DATA

---

## Technical data

### DM 340

Electric motor	Single-phase
Rated voltage, V	230
Rated output, W	3300 ± 100
Rated current, A	16

Weight, lb/kg 14

**Max. diameter drill bit, mm/inch** 400/16

### Water cooling

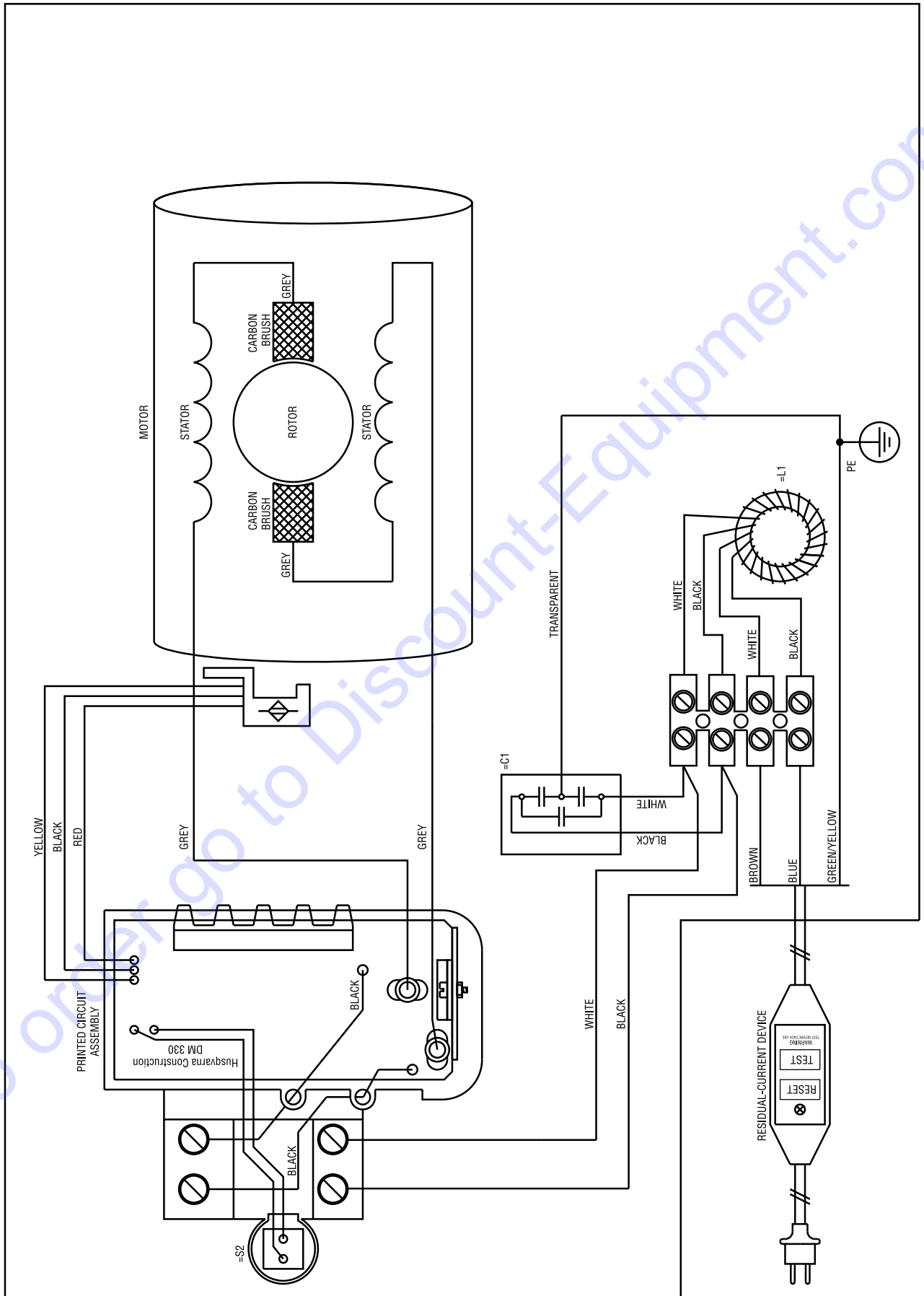
Spindle thread	G 1 1/4"
Wash-out port	G 1/4"
Water pressure - max, bar	8

Gear	Drill bit load without load, rpm	Drill bit speed with load, rpm	Recommended drill bit size, mm	Recommended drill bit size, inch
1	240	170	200-400	8-16
2	530	380	100-200	4-8
3	900	1190	50-100	2-4

To order go to [Discount-Equipment.com](http://Discount-Equipment.com)

# WIRING DIAGRAM

## Wiring diagram





# EXPLICATION DES SYMBOLES

## Symboles sur la machine

**AVERTISSEMENT!** La machine utilisée de manière imprudente ou inadéquate peut devenir un outil dangereux, pouvant causer des blessures graves voire mortelles à l'utilisateur et aux autres personnes présentes.



Lire attentivement et bien assimiler le manuel d'utilisation avant d'utiliser la machine.



Utiliser les équipements de protection personnelle. Voir au chapitre "Équipement de protection personnelle".



**Marquage environnemental.** Ce symbole figurant sur le produit ou sur son emballage indique que ce produit ne peut pas être traité comme déchet ménager. Il doit être collecté et amené à une installation de récupération appropriée de déchets d'équipements électriques et électroniques.



En veillant à ce que ce produit soit correctement éliminé, vous pouvez contribuer à prévenir les conséquences négatives potentielles sur l'environnement et les hommes, qui pourraient sinon être le résultat d'un traitement incorrect des déchets de ce produit.

Pour des informations plus détaillées sur le recyclage de ce produit, contactez votre commune ou le magasin où vous avez acheté le produit.

En cas de forage au plafond, s'assurer que l'eau ne risque pas de couler dans la machine. Utiliser un collecteur d'eau adapté.



**Les autres symboles/autocollants présents sur la machine concernent des exigences de certification spécifiques à certains marchés.**

## Explication des niveaux d'avertissement

Il existe trois niveaux d'avertissement.

### AVERTISSEMENT!



**AVERTISSEMENT!** Symbole utilisé en cas de risque de blessures très graves ou de mort pour l'utilisateur ou de dommages pour les environs si les instructions du manuel ne sont pas suivies.

### REMARQUE !



**REMARQUE !** Symbole utilisé en cas de risque de blessures pour l'utilisateur ou de dommages pour les environs si les instructions du manuel ne sont pas suivies.

### ATTENTION !

**ATTENTION !** Symbole utilisé en cas de risque de dommages pour les matériaux ou la machine si les instructions du manuel ne sont pas suivies.

# SOMMAIRE

## Sommaire

### EXPLICATION DES SYMBOLES

Symboles sur la machine .....	16
Explication des niveaux d'avertissement .....	16

### SOMMAIRE

Sommaire .....	17
----------------	----

### PRÉSENTATION

DM 340 .....	18
--------------	----

### QUELS SONT LES COMPOSANTS?

Quels sont les composants de la perceuse? .....	19
---	----

### INSTRUCTIONS DE SÉCURITÉ

Mesures à prendre avant d'utiliser une perceuse neuve	20
Équipement de protection personnelle .....	20
Instructions générales de sécurité .....	21
Méthodes de travail .....	22
Équipement de sécurité de la machine .....	23

### DÉMARRAGE ET ARRÊT

Avant de démarrer la machine .....	24
Démarrage .....	24
Arrêt .....	24

### ENTRETIEN

Généralités .....	25
Remplacement du foret .....	25
Nettoyage .....	25
Alimentation électrique .....	25
Remplacement de l'huile de la boîte de vitesses .....	25
Remplacement des balais de charbon .....	26
Remplacement du support de joint .....	26
Entretien quotidien .....	26
Réparations .....	26

### CARACTÉRISTIQUES TECHNIQUES

Caractéristiques techniques .....	27
-----------------------------------	----

### DECLARATION DE GARANTIE ETATS-UNIS

POLITIQUE DE GARANTIE .....	28
EQUIPEMENT .....	28

### SCHÉMA ÉLECTRIQUE

Schéma électrique .....	29
-------------------------	----

## Contrôler les points suivants avant la mise en marche:



**AVERTISSEMENT!** La découpe, particulièrement la découpe à SEC soulève la poussière générée par le matériau coupé qui contient souvent de la silice. La silice est composée de sable, de quarts d'argile, de granit et de nombreuses autres substances minérales et rocheuses. L'exposition à une quantité excessive d'une telle poussière peut causer:

Des maladies respiratoires (altérant les facultés respiratoires), y compris bronchites chroniques, silicose et fibrose pulmonaire dues à une exposition à la silice. Ces maladies peuvent être fatales;

Irritation cutanée et démangeaisons.

Des cancers selon NTP\* et IARC\* \*/ National Toxicology Program, International Agency for Research on Cancer

Prendre des mesures préventives:

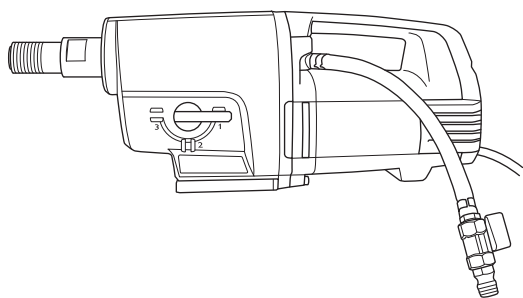
Éviter l'inhalation et le contact avec la peau de la poussière, des vapeurs et des fumées.

L'utilisateur et les personnes présentes sur le site doivent porter des protections respiratoires appropriées telles que des masques spécialement prévus pour filtrer les particules microscopiques. (Voir OSHA 29 CFR Partie 1910.1200)

Couper si possible en utilisant le jet d'eau afin de réduire la poussière dispersée.

# PRÉSENTATION

## DM 340



Nous espérons que cette machine vous donnera toute satisfaction et qu'elle vous accompagnera pendant de longues années. N'oubliez pas que ce manuel d'utilisation est important. En suivant les instructions qu'il contient (utilisation, révision, entretien, etc.), il est possible d'allonger considérablement la durée de vie de la machine et d'augmenter sa valeur sur le marché de l'occasion. En cas de vente de la machine, ne pas oublier de remettre le manuel d'utilisation au nouveau propriétaire.

L'achat de l'un des nos produits garantit une assistance professionnelle pour l'entretien et les réparations. Si la machine n'a pas été achetée chez l'un de nos revendeurs autorisés, demandez l'adresse de l'atelier d'entretien le plus proche.

Husqvarna Construction Products travaille constamment à améliorer la construction de ses produits. Husqvarna se réserve donc le droit de procéder à des modifications de construction sans avis préalable et sans autres engagements.

- DM 340 est une perceuse électrique destinée au forage dans du béton, de la brique ou divers autres matériaux à base de pierre.
- La perceuse est constituée de modules et facile à monter.
- La machine est équipée d'un raccordement d'eau, pouvant pivoter sur 180 degrés pour en faciliter l'utilisation.
- DM 340 présente trois plages de régime pour les perçages jusqu'à 400 mm.
- La machine comporte une boîte de vitesses refroidie par eau avec un conducteur qui traverse l'arbre de la broche.
- La machine est équipée de LED indiquant la puissance de sortie. Ainsi, vous pouvez toujours obtenir la puissance de sortie maximale sans endommager la machine.

La perceuse est équipée de Softstart™, Smartstart™, Elgard™ et d'une régulation du régime.

### Softstart™

Softstart™ est un limiteur de courant électronique permettant un démarrage en douceur. La vitesse maximale est atteinte environ trois secondes après le démarrage de la machine.

### Smartstart™

Quand on appuie sur le bouton Smartstart™, la vitesse est réduite. En mode Smartstart™, la machine a moins de puissance jusqu'à ce que l'on appuie de nouveau sur le bouton. Ces fonctions sont extrêmement pratiques pour percer un trou de guidage.

### Elgard™

Elgard™ est une protection électronique contre les surcharges. Il prend en considération des facteurs comme la tension nominale de l'appareil et la température ambiante. Ainsi, vous pouvez toujours obtenir la puissance de sortie maximale sans endommager la machine.

Lorsque le moteur est trop sollicité, il se met à pulser grâce à la protection contre les surcharges. En réduisant alors la charge, le moteur revient à un régime normal. En cas de forte sollicitation de la machine ou si le foret est coincé, la protection contre les surcharges coupe le courant. Réinitialiser la machine en éteignant l'appareil et en le rallumant. Si le foret est coincé, l'accouplement à glissement mécanique protège la boîte de vitesses avant que la protection contre les surcharges ne coupe le courant.

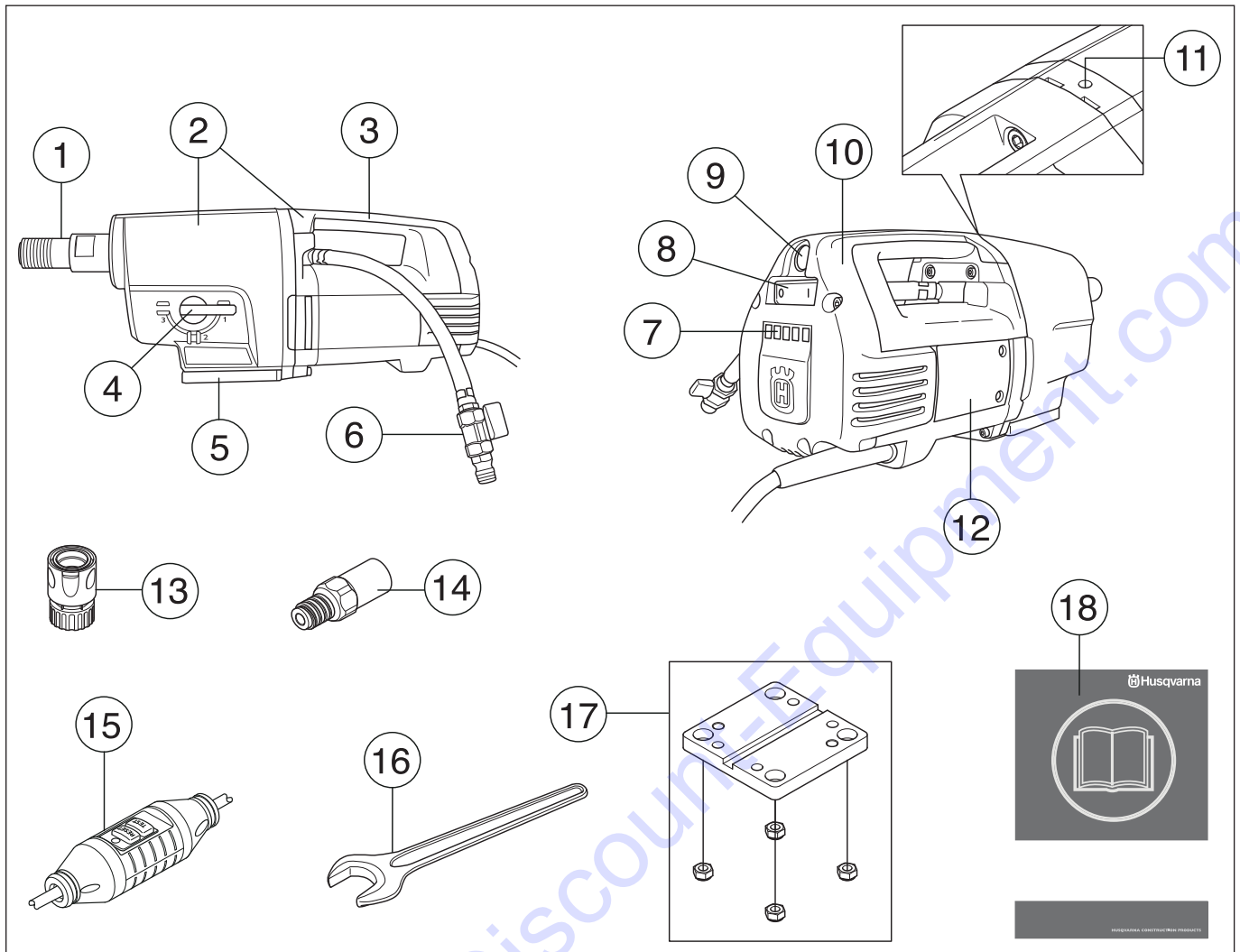
### Régulation du régime

Grâce à la fonction de régulation du régime, la machine a un régime de ralenti limité. Cela permet un refroidissement plus efficace de la machine au ralenti.

### Ergonomie

La poignée de transport facilite le transport de la machine et en facilite le montage sur le bâti.

## QUELS SONT LES COMPOSANTS?



### Quels sont les composants de la perceuse?

- |   |                                     |
|---|-------------------------------------|
| 1 Broche                                      | 10 Capot de contrôle                |
| 2 Moteur et boîte de vitesses                 | 11 Orifice d'évacuation             |
| 3 Poignée pour le transport                   | 12 Point d'inspection               |
| 4 Sélecteur de vitesse                        | 13 Raccord de jonction (accessoire) |
| 5 Montage rapide, pour bâti Husqvarna         | 14 Adaptateur (accessoire)          |
| 6 Raccord de l'eau                            | 15 Disjoncteur de fuite à la terre  |
| 7 LED pour indication de la puissance fournie | 16 Clé plate, 32 mm                 |
| 8 Interrupteur                                | 17 Montage moteur, bâti             |
| 9 Smart Start®                                | 18 Manuel d'utilisation             |

# INSTRUCTIONS DE SÉCURITÉ

## Mesures à prendre avant d'utiliser une perceuse neuve

- Ne travaillez pas avec la perceuse sans avoir lu et compris au préalable le contenu de ce manuel d'utilisation.
- DM 340 est une perceuse électrique destinée au forage dans du béton, de la brique ou divers autres matériaux à base de pierre.
- La machine est conçue pour des applications industrielles et destinée à des opérateurs expérimentés. Toute autre utilisation est considérée comme contraire à l'utilisation prévue.

## Utilisez toujours votre bon sens

Il est impossible de prévoir toutes les situations que vous pouvez rencontrer lorsque vous utilisez une perceuse. Soyez toujours prudent et utilisez votre bon sens. Évitez les situations que vous n'êtes pas sûr de maîtriser. Si, après avoir lu ces instructions, vous n'êtes toujours pas sûr de la procédure à suivre, demandez conseil à un expert avant de poursuivre. N'hésitez pas à prendre contact avec votre revendeur ou avec nous si vous avez des questions sur l'utilisation de la perceuse. Nous sommes à votre disposition et vous conseillons volontiers pour vous aider à mieux utiliser votre perceuse en toute sécurité.

Laissez au revendeur Husqvarna le soin de contrôler régulièrement la perceuse et d'effectuer les réglages et les réparations nécessaires.

Husqvarna Construction Products travaille constamment à améliorer la construction de ses produits. Husqvarna se réserve donc le droit de procéder à des modifications de construction sans avis préalable et sans autres engagements.

Toutes les informations et toutes les données indiquées dans ce manuel d'utilisation étaient valables à la date à laquelle ce manuel a été porté à l'impression.



**AVERTISSEMENT! Ne jamais modifier, sous aucun prétexte, la construction initiale de la machine sans l'autorisation du fabricant. N'utiliser que des accessoires et des pièces d'origine. Toute modification non autorisée et/ou tout emploi d'accessoires non homologués peuvent provoquer des accidents graves voire mortels pour l'utilisateur et les autres.**



**AVERTISSEMENT! La poussière provenant du ponçage, sciage, meulage, forage et autres travaux de construction contient des produits chimiques qui (selon l'État de Californie) risquent de causer le cancer, des malformations foetales et autres dangers pour la grossesse. Parmi ses produits chimiques :**

**Plomb provenant de peintures à base de plomb.**

**Silice cristallin provenant des briques, du ciment et d'autres produits de maçonnerie.**

**Arsenic et chrome provenant de bois ayant subi un traitement chimique.**

**Le risque entraîné par une exposition à ces produits varie en fonction de la fréquence à laquelle on effectue ce genre de travaux. Pour réduire l'exposition à ces produits chimiques, travailler dans un local bien aéré et utiliser un équipement de sécurité agréé, par exemple un masque anti-poussière spécialement conçu pour filtrer des particules microscopiques.**

## Équipement de protection personnelle

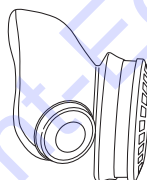


**AVERTISSEMENT! Un équipement de protection personnelle homologué doit impérativement être utilisé lors de tout travail avec la machine. L'équipement de protection personnelle n'élimine pas les risques mais réduit la gravité des blessures en cas d'accident. Demander conseil au concessionnaire afin de choisir un équipement adéquat.**

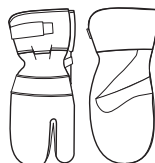
- Casque de protection
- Protecteur d'oreilles
- Lunettes protectrices ou visière



- Masque respiratoire



- Gants solides permettant une prise sûre.



- Vêtements confortables, robustes et serrés qui permettent une liberté totale de mouvement.



- Bottes avec coquille en acier et semelle antidérapante



- Une trousse de premiers secours doit toujours être disponible.



# INSTRUCTIONS DE SÉCURITÉ

## Instructions générales de sécurité



**AVERTISSEMENT!** Lire toutes les consignes et instructions de sécurité. Le non-respect des consignes et instructions peut provoquer une électrocution, un incendie et/ou des blessures graves.

## Sécurité dans l'espace de travail

- **Maintenir un espace de travail propre et bien éclairé.** Les espaces encombrés ou sombres exposent à des accidents.
- **Ne pas utiliser de machines à usiner dans des atmosphères explosives, en présence de liquides, de gaz ou de poussières inflammables par exemple.** Les machines à usiner provoquent des étincelles qui peuvent enflammer la poussière ou les vapeurs.
- Des personnes ou des animaux peuvent détourner l'attention de l'opérateur et l'amener à perdre le contrôle de la machine. C'est pourquoi l'opérateur doit toujours être attentif et concentré sur son travail.
- Ne pas travailler par mauvais temps: brouillard épais, pluie diluvienne, vent violent, grand froid, etc. Travailler par mauvais temps est fatiguant et peut créer des conditions de travail dangereuses telles que le verglas.
- Ne jamais commencer à travailler avec la machine sans avoir le champ libre et les pieds bien d'aplomb. Identifier les obstacles éventuels dans le cas de déplacement inattendu. S'assurer qu'aucun matériau ne risque de tomber et de provoquer des blessures ou des dommages lors de travail avec la machine.
- Contrôlez toujours la partie arrière de la surface traversée par le trépan. Délimitez la zone de travail et vérifiez que personne ne peut être blessé ni aucun matériau endommagé.

## Sécurité électrique



**AVERTISSEMENT!** Il existe toujours un risque de choc avec les machines électriques. Évitez de travailler par mauvais temps ainsi que tout contact du corps avec du métal/un parafoudre. Suivez toujours les instructions du manuel d'utilisation pour éviter tout dommage.



**AVERTISSEMENT!** Ne lavez pas la machine avec de l'eau. Elle peut en effet s'infiltrer dans le système électrique ou le moteur et ainsi endommager la machine ou provoquer un court-circuit.

- Ne jamais utiliser l'outil sans le disjoncteur de fuite à la terre livré avec l'outil.
- La machine doit être branchée à une prise de terre.
- Contrôler que la tension secteur est conforme aux indications sur la plaque de la machine.
- Contrôler que le câble et la rallonge sont entiers et en bon état. Utilisez une rallonge prévue pour une utilisation à l'extérieur.

- Ne jamais utiliser la machine si tout câble ou bouchon est endommagé. Il convient dès lors de la confier à un atelier d'entretien agréé.
- N'utilisez pas la rallonge lorsqu'elle est enroulée afin d'éviter toute surchauffe.
- Ne jamais porter la machine par le câble et ne jamais débrancher la prise en tirant sur le câble.
- Conserver tous les câbles et toutes les rallonges loin de l'eau, de l'huile et des bords tranchants. Veiller à ce que le câble ne soit pas coincé dans des portes, des clôtures ou d'autres équipements similaires. Des objets pourraient alors être sous tension.
- Le système d'eau refroidit le foret avec de l'eau propre. Il convient de ne pas exposer la machine à usiner à davantage d'humidité que celle déjà fournie par le système à eau. S'assurer que de la boue n'entre pas dans la machine.
- Il convient de protéger la machine à usiner de la pluie. L'infiltration d'eau dans une machine à usiner augmente le risque d'électrocution.
- Veiller à avoir le câble derrière soi lors de l'utilisation de la machine pour ne pas risquer de l'abîmer.

## Sécurité du personnel

- Utiliser les équipements de protection personnelle. Voir au chapitre "Équipement de protection personnelle".
- Éviter d'utiliser la machine en cas de fatigue, d'absorption d'alcool ou de prise de médicaments susceptibles d'affecter l'acuité visuelle, le jugement ou la maîtrise du corps.
- Évitez tout démarrage intempestif. Vérifier que l'interrupteur est en position OFF avant de brancher la machine au bloc d'alimentation. Le fait de garder le doigt sur l'interrupteur pendant le transport des outils ou le branchement des machines alors que l'interrupteur est en position ON expose à des accidents.
- **Retirez toute clé ou clavette de calage avant de mettre la machine à usiner sous tension.** Une clé ou une clavette reliée à une pièce mobile de la machine à usiner peut entraîner des blessures corporelles.
- Ne jamais laisser d'autres personnes utiliser la machine sans s'être assuré au préalable que ces personnes ont bien compris le contenu du mode d'emploi.
- Attention! Les habits, les cheveux longs et les bijoux peuvent se coincer dans les parties en mouvement.
- Tenez-vous à bonne distance du trépan quand le moteur tourne.
- Vérifiez qu'aucun tuyau ni câble électrique ne traverse la zone de travail.
- Ne laissez jamais la machine sans surveillance avec le moteur en marche.
- Débranchez toujours la machine en cas d'interruption prolongée du travail.
- Ne travaillez jamais seul, mais toujours avec une personne à proximité. Cette personne peut aider à monter la machine, mais aussi intervenir en cas d'accident.



# INSTRUCTIONS DE SÉCURITÉ

## Utilisation et entretien

- Ne jamais utiliser une machine qui n'est pas en parfait état de marche. Appliquer les instructions de maintenance et d'entretien ainsi que les contrôles de sécurité indiqués dans ce manuel d'utilisation. Certaines mesures de maintenance et d'entretien doivent être confiées à un spécialiste dûment formé et qualifié. Voir les instructions à la section Maintenance.
- Les contrôles et/ou les entretiens doivent être effectués avec le moteur à l'arrêt et la prise électrique débranchée.
- **Ne pas utiliser la machine à usiner si l'interrupteur ne permet pas la mise sous tension ou l'arrêt.** Toute machine à usiner impossible à commander avec l'interrupteur est dangereuse et doit être réparée.
- Ne jamais utiliser une machine qui a été modifiée au point de ne plus être conforme au modèle original.
- Ne sollicitez pas la machine excessivement. Une surcharge peut endommager la machine.
- Utilisez toujours des outils aiguisés et propres pour augmenter la sécurité pendant le travail.
- Assurez-vous que toutes les pièces sont en état de fonctionnement et que tous les éléments de fixation sont correctement serrés.

## Transport et rangement

- Pour éviter d'endommager la perceuse et le foret, ne stockez ni ne transportez la perceuse avec le trépan monté.
- Stockez la perceuse dans un endroit verrouillable à clé, de façon à ce qu'elle soit inaccessible aux enfants ainsi qu'aux personnes non autorisées.
- Stockez la perceuse et le support dans un endroit sec et à l'abri du gel.

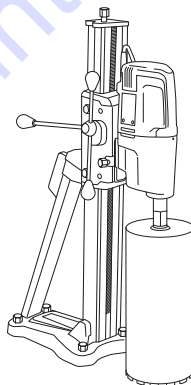
## Méthodes de travail



**AVERTISSEMENT!** Ce chapitre traite des consignes de sécurité de base lors du travail avec une perceuse. Aucune information ne peut néanmoins remplacer l'expérience et le savoir-faire d'un professionnel. Dans l'éventualité d'une situation rendant la suite du travail incertaine, consultez un expert. Adressez-vous au revendeur, à l'atelier de réparation ou à un utilisateur expérimenté de la perceuse. L'utilisateur se doit d'éviter toute utilisation qu'il ne maîtrise pas suffisamment!

- La machine présente un couple très élevé. Une concentration élevée est requise dans ce cas pendant le travail car le blocage soudain du foret peut entraîner des blessures graves.
- Gardez les mains éloignées de la broche et percez lorsque la machine tourne.
- Attention aux fuites d'huile et d'eau. En cas de fuite d'eau ou d'huile par l'orifice d'évacuation situé sur la partie supérieure du collet, les joints d'étanchéité doivent être remplacés.

## Perçage avec support



- Cette machine est conçue pour être montée sur un support.
- Les forets Husqvarna suivants sont recommandés pour l'utilisation avec le moteur de forage :
  - DS 50 AT/ATS/Gyro/COMBO/BASIC
  - DS 70 AT/ATS
  - DS 450 ATS
- Assurez-vous que le support est bien ancré.
- Assurez-vous que la perceuse est correctement fixée sur le support.

## Perçage à l'extérieur

- Utilisez toujours des câbles de raccordement agréés pour une utilisation à l'extérieur.

## En cas de perçage dans un toit ou élément similaire

- Utilisez un collecteur d'eau pour éviter l'infiltration de l'eau dans la machine.



# INSTRUCTIONS DE SÉCURITÉ

## Équipement de sécurité de la machine

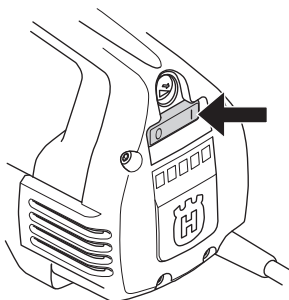
Ce chapitre présente les équipements de sécurité de la machine, leur fonction, comment les utiliser et les maintenir en bon état. Voir au chapitre Quels sont les composants? pour trouver leur emplacement sur la machine.



**AVERTISSEMENT! Ne jamais utiliser une machine dont les équipements de sécurité sont défectueux.**

**IMPORTANT!** L'entretien et la réparation de la machine exigent une formation spéciale. Ceci concerne particulièrement l'équipement de sécurité de la machine. Si les contrôles suivants ne donnent pas un résultat positif, s'adresser à un atelier spécialisé. L'achat de l'un de nos produits offre à l'acheteur la garantie d'un service et de réparations qualifiés. Si le point de vente n'assure pas ce service, s'adresser à l'atelier spécialisé le plus proche.

## Interrupteur



L'interrupteur est utilisé pour démarrer et arrêter la machine.

### Contrôle de l'interrupteur

- Démarrer la machine à l'aide de l'interrupteur ON/OFF.
- Arrêter la machine à l'aide de ce même interrupteur.
- Un interrupteur défectueux doit être remplacé par un atelier d'entretien agréé.

## Disjoncteur de fuite à la terre

Les disjoncteurs de fuite à la terre constituent une protection si un défaut d'origine électrique survient.

Le voyant lumineux indique que le disjoncteur de fuite à la terre est activé et que la machine peut être allumée. Si le voyant lumineux est éteint, appuyez sur le bouton RESET (vert).



## Vérifiez le disjoncteur de fuite à la terre

- Branchez la machine à la prise électrique. Appuyez sur le bouton RESET (vert) et le voyant lumineux rouge s'allume.



- Démarrez la machine en appuyant sur l'interrupteur.
- Appuyez sur le bouton TEST (bleu).



- Le disjoncteur de fuite à la terre devrait s'enclencher et la machine s'éteint instantanément. Dans le cas contraire, veuillez contacter votre revendeur.
- Initialisez l'appareil à l'aide du bouton RESET (vert).

# DÉMARRAGE ET ARRÊT

## Avant de démarrer la machine



**AVERTISSEMENT!** Contrôler les points suivants avant la mise en marche:

La machine doit être branchée à une prise de terre.

Ne jamais utiliser l'outil sans le disjoncteur de fuite à la terre livré avec l'outil. Vérifiez le disjoncteur de fuite à la terre. Voir les instructions au chapitre Contrôle, maintenance et entretien des équipements de sécurité de la machine.

Contrôler que la tension secteur est conforme aux indications sur la plaque de la machine.

Tenez-vous debout fermement. Veiller à ce qu'aucune personne non autorisée ne se trouve dans la zone la travail.

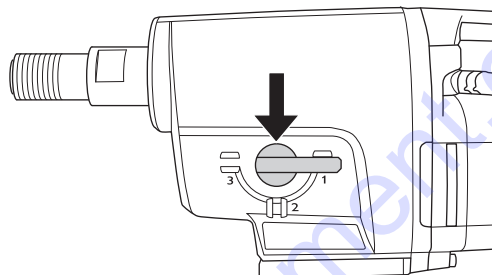
Effectuez les contrôles suivants:

- L'interrupteur, le fil et la prise de courant sont intacts. Dans le cas contraire, ils doivent être remplacés par un réparateur agréé.
- Les fentes d'air de refroidissement ne soient pas obstruées.
- La machine et son équipement sont montés correctement.
- Le bâti soit fixé de façon adéquate et à ce que la perceuse soit montée correctement sur le bâti.
- Le trépan est fixé correctement.
- Le refroidissement à l'eau n'est pas endommagé et est connecté à la machine.
- Utilisez un trépan adapté au perçage à l'eau ou à sec. En cas de doute, adressez-vous au revendeur, à l'atelier de réparation ou à un utilisateur expérimenté.
- Évitez tout démarrage intempestif. Vérifier que l'interrupteur est en position OFF avant de brancher la machine au bloc d'alimentation.

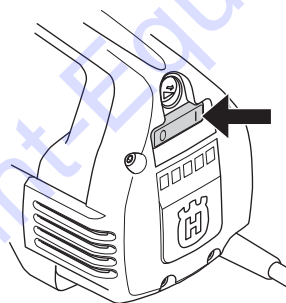
## Démarrage

**IMPORTANT!** Le changement de vitesse doit se faire uniquement lorsque la machine est éteinte. La boîte de vitesses risque d'être endommagée si ce n'est pas le cas.

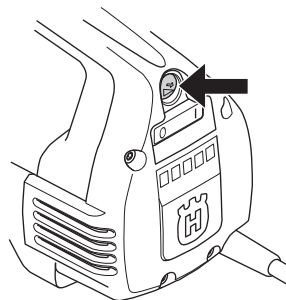
- 1 Réglez la vitesse de travail en tournant la broche et en réglant simultanément le sélecteur de vitesse sur la position souhaitée.



- 2 Activez le refroidissement par eau.
- 3 Démarrer la machine à l'aide de l'interrupteur ON/OFF.



Appuyez le cas échéant sur le bouton Smartstart™.



## Arrêt



**AVERTISSEMENT!** Le trépan continue à tourner un moment après l'arrêt du moteur.

N'arrêtez pas le trépan avec les mains. Il peut en résulter des blessures.

Arrêter la machine à l'aide de ce même interrupteur.

## Refroidissement

Laissez la machine tourner à vide une minute environ pour refroidir le moteur.

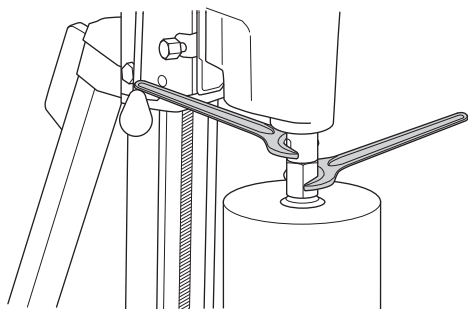
## Généralités

**IMPORTANT!** Les contrôles et/ou les entretiens doivent être effectués avec le moteur à l'arrêt et la prise électrique débranchée.

Une utilisation, un entretien et une maintenance corrects de la machine permettent de prolonger considérablement sa durée de vie.

## Remplacement du foret

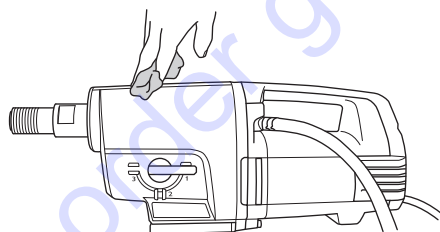
- 1 Débranchez la machine.
- 2 Préparez:
  - Le nouveau foret.
  - Clés plates de 24 mm et de 32 mm
  - De la graisse résistant à l'eau.
- 3 Retirez le foret à l'aide des clés à ouverture fixe.
- 4 Étalez de la graisse résistant à l'eau sur le filetage du nouveau foret.
- 5 Montez le foret à l'aide des clés à ouverture fixe.



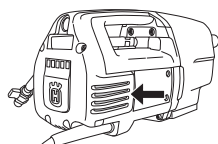
Avant de démarrer la machine, vérifiez que le nouveau foret est solidement fixé.

## Nettoyage

- Nettoyez la machine et les forets afin de garantir la sécurité pendant le perçage.



- La poignée doit être sèche et ne présenter aucune trace de graisse ni d'huile.
- Pour que le refroidissement de la machine fonctionne correctement, les ouvertures de l'air de refroidissement doivent être propres et ne pas être bouchées.



- Utilisez de l'air comprimé pour nettoyer le moteur à intervalles réguliers. Retirez le capot de contrôle et nettoyez le capot.

## Alimentation électrique



**AVERTISSEMENT!** N'utilisez jamais de câbles endommagés car ils peuvent entraîner des blessures graves, voire mortelles.

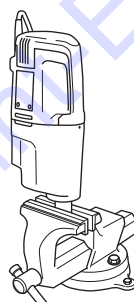
Contrôler que le câble et la rallonge sont entiers et en bon état. Ne pas utiliser la machine si le câble est endommagé, la confier à un atelier d'entretien agréé pour réparation.

## Remplacement de l'huile de la boîte de vitesses

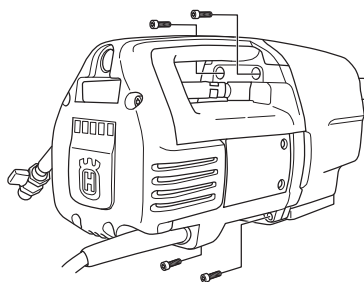
Contactez le revendeur pour obtenir la bonne huile.

L'huile de la boîte de vitesses doit être remplacée par intervalle de 400 heures de fonctionnement. Procédez comme suit:

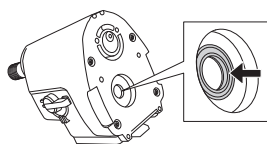
- 1 Préparez:
  - L'huile neuve, STATOIL SYNTOL 75W-90 ou une autre huile similaire de transmission.
  - Un récipient pour recueillir l'huile usée.
- 2 Installez la machine avec la broche tournée vers le bas dans un étau ou outil similaire.



- 3 Dévissez les quatre vis qui maintiennent le moteur et la boîte de vitesses.



- 4 Démontez doucement la machine.
- 5 Videz l'huile de la boîte de vitesse dans le récipient.
- 6 Si nécessaire, contactez le revendeur pour le nettoyage de la boîte de vitesses.
- 7 Versez l'huile neuve dans la boîte de vitesses, environ 0,5 l.



- 8 Veiller à ce que la lèvres d'étanchéité du joint radial soit intacte.
- 9 Remonter la machine et visser les quatre vis. Lors du montage, veiller à ne pas endommager le joint radial.

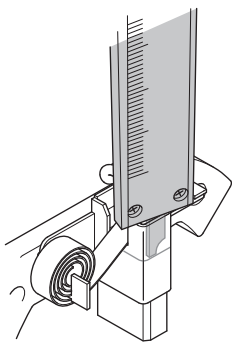
# ENTRETIEN

## Remplacement des balais de charbon

Les balais de charbon doivent être démontés et contrôlés régulièrement. Chaque semaine en cas d'utilisation quotidienne de la machine ou à intervalle plus long si la machine est utilisée moins souvent. La surface d'usure doit être lisse et intacte.

Vous devez remplacer les balais de carbone lorsqu'il n'en reste environ que la moitié.

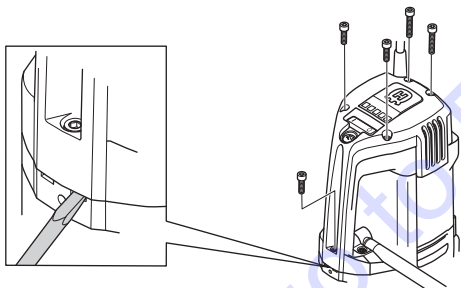
Cela se mesure facilement à l'aide d'un pied à coulisse, sans retirer les balais.



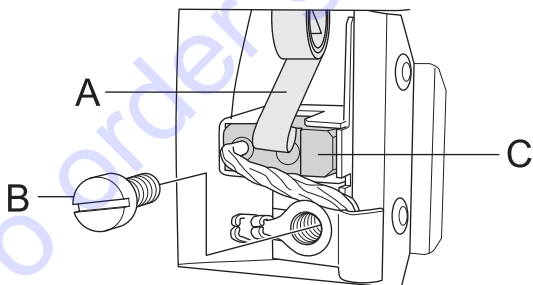
Remplacez les balais de carbone lorsque la distance entre le support de balai et le niveau supérieur du balai dépasse 10 mm.

Les deux balais de charbon doivent toujours être remplacés au même moment, mais un à la fois. Procédez comme suit:

- 1 Retirez les 5 vis du capot d'inspection. Utiliser un burin à métaux dans les encoches pour retirer facilement le couvercle d'inspection.



- 2 Soulevez le ressort de retenue du balai d'un côté (1).



- 3 Desserrez la vis (2).
- 4 Retirez le raccord du charbon.
- 5 Sortez le balai de charbon du support (3).
- 6 Nettoyer le porte-balai avec de l'air comprimé ou une brosse. En cas d'usure, remplacer le balai.
- 7 Placer le nouveau balai de carbone. Veiller à ce que le côté avec le fil en cuivre soit placé face à la boîte d'engrenages et à ce que le balai de carbone glisse facilement dans le support. Si le balai de carbone est placé dans le mauvais sens, il peut se coincer.

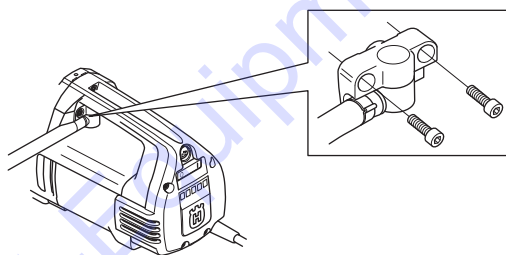
- 8 Installez le ressort de maintien du charbon.
- 9 Glissez le raccord du charbon sous la vis.
- 10 Répétez cette procédure pour l'autre charbon.
- 11 Guider le couvercle d'inspection dans les sillons de la poignée. Commencer avec la vis au sommet de la poignée et dévisser les cinq vis du couvercle d'inspection.
- 12 Laissez tourner la machine à vide pendant 20 minutes pour roder les nouveaux charbons.

Laissez la machine tourner au ralenti pendant 20 minutes avec la fonction Smartstart (R) activée pour le rodage des nouveaux balais de carbone.

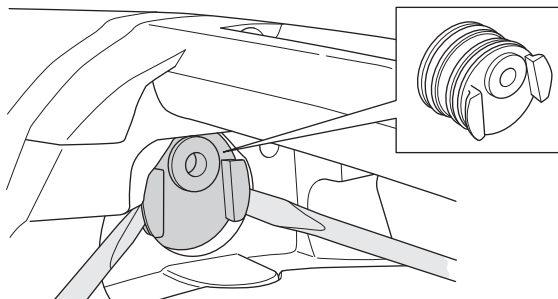
## Remplacement du support de joint

Si de l'huile ou de l'eau s'écoule du trou de fuite, il convient de remplacer le support de joint.

- 1 Desserrez les deux vis du module d'eau.



- 2 Utiliser deux tournevis à tête plate pour faire levier et ouvrir délicatement le support de joint.
- 3 Introduire délicatement le nouveau support de joint et revisser le module d'eau.



## Entretien quotidien

- 1 S'assurer que toutes les vis et tous les écrous sont bien serrés.
- 2 Contrôler que l'unité de l'interrupteur fonctionne en toute sécurité.
- 3 Nettoyer l'extérieur de la machine.
- 4 Contrôler et nettoyer les ouvertures de l'air de refroidissement.
- 5 Contrôler que le câble et la rallonge sont entiers et en bon état.

## Réparations

**Important!** Toutes les réparations doivent être effectuées par des réparateurs agréés. Ceci permet d'éviter que les opérateurs ne soient exposés à des risques importants.

# CARACTÉRISTIQUES TECHNIQUES

## Caractéristiques techniques

### DM 340

Moteur électrique	Monophasé
Tension nominale, V	230
Puissance nominale, W	3300 ± 100
Courant nominal, A	16

Poids, lb/kg 14

**Diamètre maximal du trépan, mm/pouces** 400/16

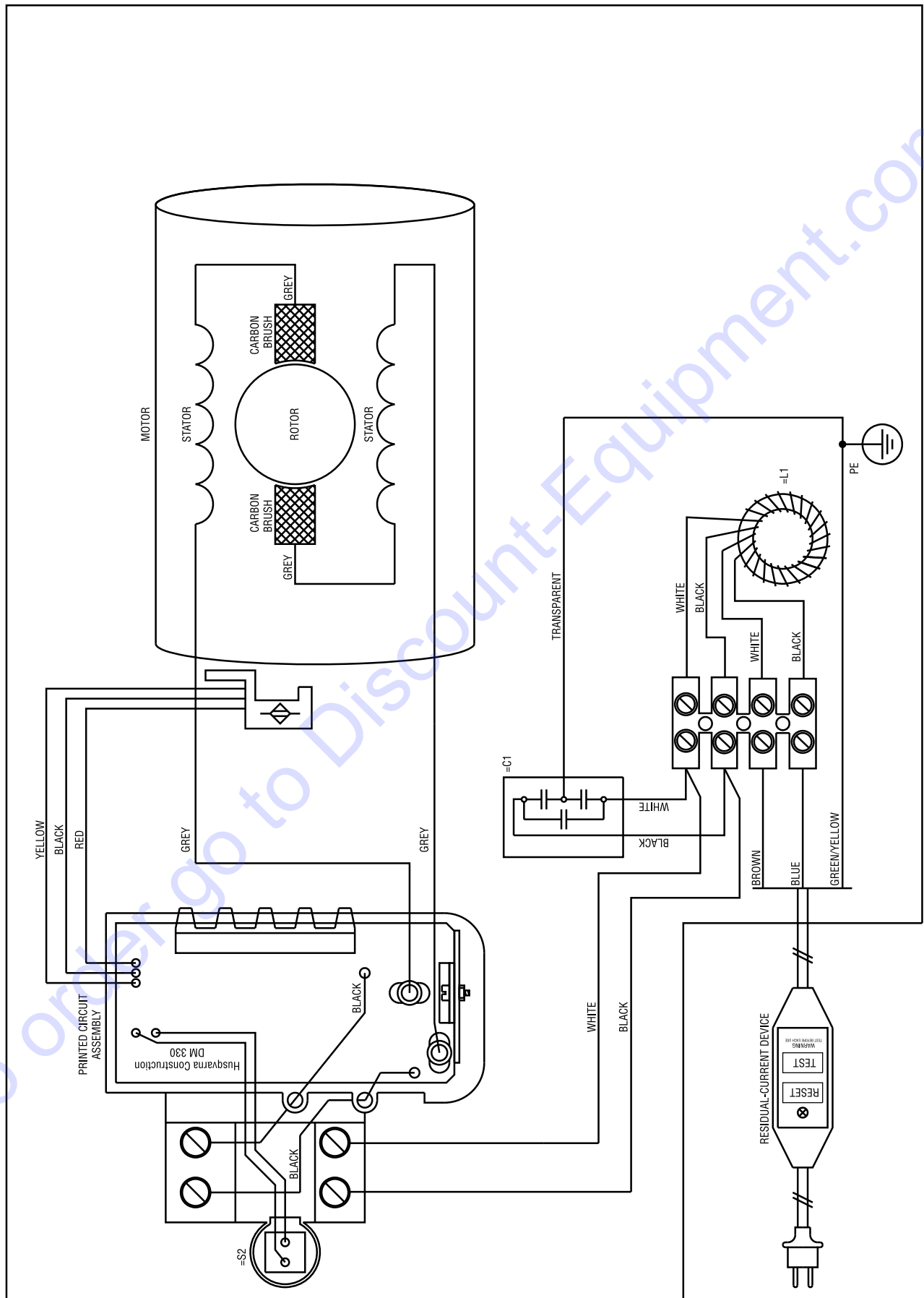
### Refroidissement par eau

Filetage de la broche	G 1 1/4"
Raccord de l'eau	G 1/4"
Pression max. de l'eau, bar	8

Engrenage	Vitesse de perçage sans charge, tr/min	Vitesse de perçage avec charge, tr/min	Taille de foret recommandée, mm	Taille de foret recommandée, pouces
1	240	170	200-400	8-16
2	530	380	100-200	4-8
3	900	1190	50-100	2-4

# SCHÉMA ÉLECTRIQUE

## Schéma électrique



# ACLARACIÓN DE LOS SÍMBOLOS

## Símbolos en la máquina

¡ATENCIÓN! La máquina, si se utiliza de forma errónea o descuidada, puede ser una herramienta peligrosa que puede causar daños graves e incluso la muerte al usuario y a otras personas.



Lea detenidamente el manual de instrucciones y asegúrese de entender su contenido antes de utilizar la máquina.



Utilice el equipo de protección personal. Vea las instrucciones bajo el título "Equipo de protección personal".



Este producto cumple con la directiva CE vigente.



**Etiquetado ecológico.** El símbolo en el producto o en su envase indica que no se puede tratar este producto como desperdicio doméstico. Deberá por lo tanto depositarse en un centro de recogida adecuado para el reciclado de equipos eléctricos y electrónicos.



Haciendo que este producto sea manipulado adecuadamente, se ayuda a evitar consecuencias negativas potenciales para el medio ambiente y las personas, lo que puede ocurrir con la manipulación inadecuada como residuos del producto.

Para obtener información más detallada sobre el reciclado de este producto, contacte con la oficina municipal local, con el servicio de eliminación de desperdicios domésticos o con la tienda donde compró el producto.

Al perforar en techo, comprobar que no puede entrar agua en la máquina. Utilice un colector de agua adecuado.



**Los demás símbolos/etiquetas que aparecen en la máquina corresponden a requisitos de homologación específicos en determinados mercados.**

## Explicación de los niveles de advertencia

Las advertencias se clasifican en tres niveles.

### ¡ATENCIÓN!



**¡ATENCIÓN!** Indica un riesgo de daños graves para el usuario o incluso muerte, o bien daños al entorno, si no se siguen las instrucciones del manual.

### ¡NOTA!



**¡NOTA!** Indica un riesgo de lesiones para el usuario o daños al entorno si no se siguen las instrucciones del manual.

### AVISO

**AVISO** Indica un riesgo de daños en los materiales o en la máquina si no se siguen las instrucciones del manual.



# ÍNDICE

## Índice

### ACLARACIÓN DE LOS SÍMBOLOS

Símbolos en la máquina .....	30
Explicación de los niveles de advertencia .....	30

### ÍNDICE

Índice .....	31
--------------	----

### PRESENTACIÓN

DM 340 .....	32
--------------	----

### ¿QUÉ ES QUÉ?

Componentes de la taladradora .....	33
-------------------------------------	----

### INSTRUCCIONES DE SEGURIDAD

Medidas a tomar antes de utilizar una taladradora nueva .....	34
Equipo de protección personal .....	34
Instrucciones generales de seguridad .....	35
Instrucciones generales de trabajo .....	36
Equipo de seguridad de la máquina .....	37

### ARRANQUE Y PARADA

Antes de arrancar .....	38
Arranque .....	38
Parada .....	38

### MANTENIMIENTO

Generalidades .....	39
Cambio de broca .....	39
Limpieza .....	39
Suministro eléctrico .....	39
Cambio del aceite de la caja de cambios .....	39
Cambio de escobillas de carbón .....	40
Cambio del anillo de retención de la junta .....	40
Mantenimiento diario .....	40
Reparaciones .....	40

### DATOS TÉCNICOS

Datos técnicos .....	41
Declaración CE de conformidad .....	42

### ESQUEMA DE CONEXIONES ELÉCTRICAS

Esquema de conexiones eléctricas .....	43
--	----

## Antes de arrancar, observe lo siguiente:



**¡ATENCIÓN!** El material que se corta a menudo contiene sílice y, al cortarlo en SECO particularmente, desprende polvo. La sílice es un componente básico de la arena, la arcilla para ladrillos, del cuarzo, del granito, y de varios otros minerales y rocas. La exposición a una cantidad excesiva de polvo de sílice puede causar:

Enfermedades respiratorias (que afectan su habilidad para respirar) como bronquitis crónicas, silicosis y fibrosis pulmonares por exposición a la sílice. Estas enfermedades pueden ser mortales.

Irritación y erupción de la piel.

Cáncer, según el Programa Nacional de Toxicología (NTP) y el Centro Internacional de Investigaciones sobre el Cáncer (IARC).

Tome medidas de precaución:

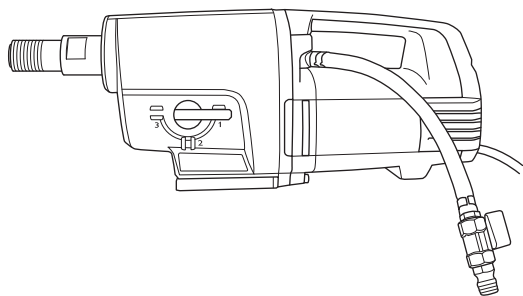
Evite el contacto de la piel con el polvo, vapor y humo, y su inhalación.

Use, y asegúrese de que quienes lo rodean usen, indumentaria de protección del aparato respiratorio como las mascarillas antipolvo diseñadas para filtrar partículas microscópicas. (Consulte las normas de la OSHA: 29 CFR Parte 1910.1200.)

Corte en húmedo, en la medida de lo posible, para minimizar la cantidad de polvo.

# PRESENTACIÓN

## DM 340



Esperamos que su máquina le proporcione plena satisfacción y le sirva de ayuda por mucho tiempo en adelante. Tenga en cuenta que este manual de instrucciones es un documento de valor. Siguiendo sus instrucciones (de uso, servicio, mantenimiento, etcétera) puede alargar considerablemente la vida útil de la máquina e incrementar su valor de reventa. Si vende su máquina, entregue el manual de instrucciones al nuevo propietario.

La adquisición de alguno de nuestros productos da acceso a asistencia profesional con reparaciones y servicio. Si la máquina no fue adquirida en un distribuidor oficial, preguntar en la tienda de compra la dirección del taller de servicio más cercano.

Husqvarna Construction Products se esfuerza constantemente por mejorar la construcción de sus productos. Por consiguiente, Husqvarna se reserva el derecho a introducir modificaciones de diseño sin previo aviso y sin compromisos ulteriores.

- DM 340 es un taladro eléctrico con base diseñado para perforar hormigón, ladrillo y varios tipos de piedra.
- La taladradora es de diseño modular y fácil de montar.
- La máquina está equipada con una conexión hidráulica que se puede girar 180° para facilitar su manejo.
- La DM 340 tiene tres gamas de velocidades para tamaños de broca de hasta 400 mm.
- La máquina tiene caja de cambios refrigerada por agua con un tubo que atraviesa el eje del husillo.
- La máquina tiene LED indicadores que señalan la potencia de salida. De esta manera, podrá conseguir la máxima potencia de salida sin causar daños a la máquina.

La taladradora está equipada con Softstart™, Smartstart™, Elgard™ y regulación de velocidad.

### Softstart™

Softstart™ es un limitador de sobreintensidad electrónico que permite un arranque más suave. La velocidad máxima se alcanza aproximadamente tres segundos después de haber encendido la máquina.

### Smartstart™

Si se pulsa el botón Smartstart™, la velocidad se reduce. En el modo Smartstart™, la máquina tiene menos potencia mientras no se vuelva a pulsar el botón. Estas funciones son muy útiles para realizar un orificio guía para la perforación.

### Elgard™

Elgard™ es una protección electrónica contra sobrecarga. Tiene en cuenta factores como la tensión de entrada nominal y la temperatura ambiente. De esta manera, podrá conseguir la máxima potencia de salida sin causar daños a la máquina.

Si el motor se sobrecarga, la protección hace que el motor pulse. Cuando la carga se reduce, el motor recupera la velocidad normal. Si la máquina es sometida a una carga grande o si la broca se atasca, la protección contra sobrecarga corta la corriente. Reinicie la máquina apagándola y encendiéndola de nuevo. Si se atasca la broca, el acoplamiento deslizante mecánico protege la caja de cambios antes de que la protección contra sobrecarga corte la corriente.

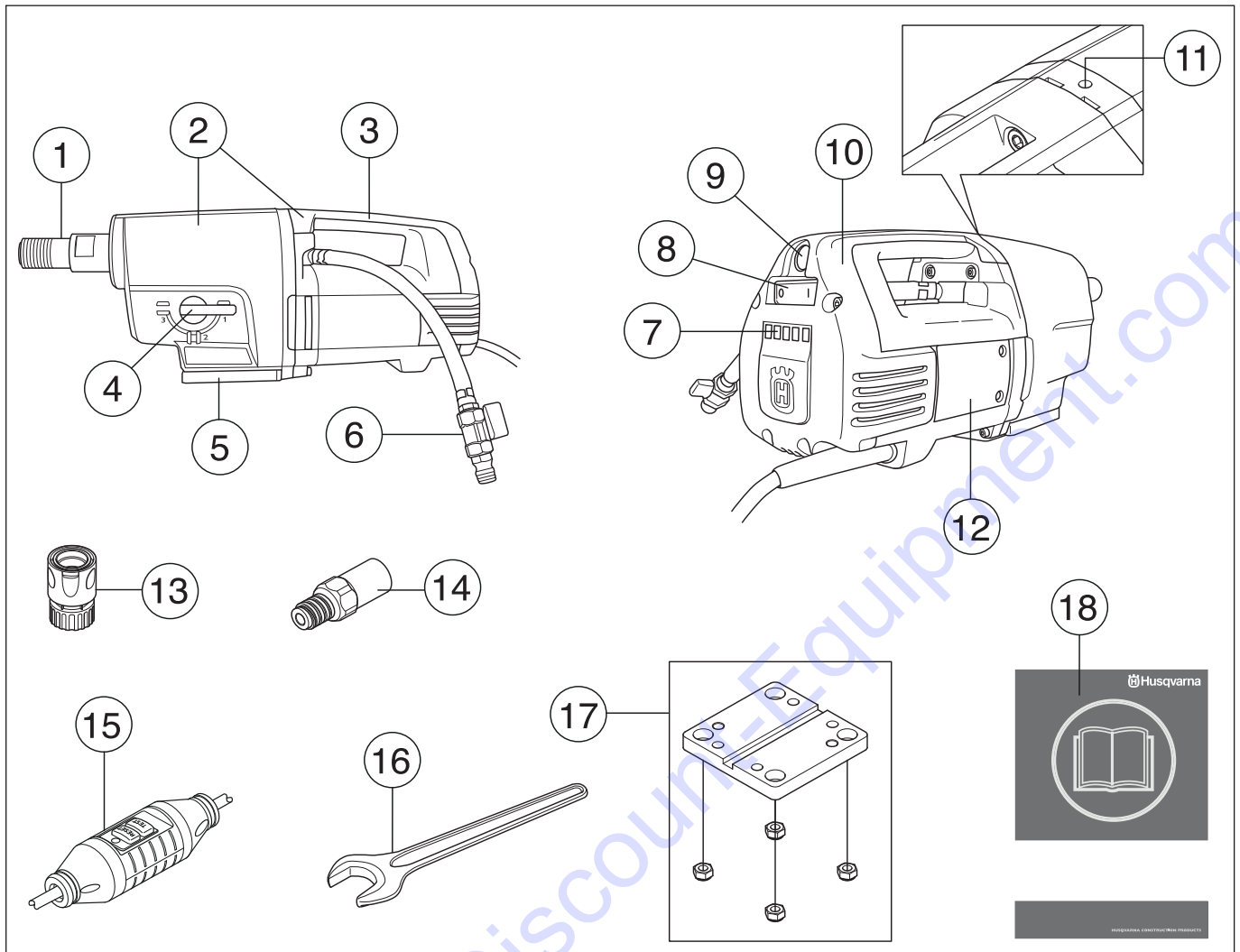
### Regulación de velocidad

El régimen de ralentí de la máquina es limitado por la función de regulación de velocidad. De esta manera, la refrigeración de la máquina al ralentí será más eficaz.

### Ergonomía

El mango de transporte facilita el transporte de la máquina y permite montarla sobre la base.

# ¿QUÉ ES QUÉ?



## Componentes de la taladradora

- |  |  |
|--|--|
| 1 Husillo de taladradora                   | 10 Tapa de inspección                          |
| 2 Módulo de caja de cambios y motor        | 11 Orificio de fugas                           |
| 3 Mango de transporte                      | 12 Mirilla                                     |
| 4 Manija de cambio                         | 13 Manguito directo (accesorio)                |
| 5 Soporte rápido para base de Husqvarna    | 14 Adaptador (accesorio)                       |
| 6 Conexión de agua                         | 15 Interruptor de circuito de pérdida a tierra |
| 7 LED indicadores de la potencia de salida | 16 Llave de tuercas, 32 mm                     |
| 8 Interruptor                              | 17 Soporte del motor, base                     |
| 9 Smart Start®                             | 18 Manual de instrucciones                     |

# INSTRUCCIONES DE SEGURIDAD

## Medidas a tomar antes de utilizar una taladradora nueva

- No utilizar la taladradora sin antes haber leído y comprendido el contenido de este manual de instrucciones.
- DM 340 es un taladro eléctrico con base diseñado para perforar hormigón, ladrillo y varios tipos de piedra.
- La máquina está destinada al uso por operadores experimentados, en aplicaciones industriales. Cualquier otro uso será considerado como no específico de la máquina.

## Emplee siempre el sentido común

Es imposible abarcar todas las situaciones imaginables que se pueden producir al utilizar una taladradora. Proceder siempre con cuidado y emplear el sentido común. El usuario debe evitar usar la máquina en aplicaciones para las que no se considere suficientemente calificado. Si después de leer estas instrucciones todavía hay inseguridad en cuanto al procedimiento de uso, consultar con un experto antes de proseguir. No dudar en ponerse en contacto con el distribuidor o con el fabricante si hay alguna duda en cuanto al empleo de la taladradora. Estamos a su disposición para dar consejos que ayuden a emplear la taladradora de forma mejor y más segura.

Encargar al distribuidor de Husqvarna la revisión regular de la taladradora y la realización de los ajustes y reparaciones necesarios.

Husqvarna Construction Products se esfuerza constantemente por mejorar la construcción de sus productos. Por consiguiente, Husqvarna se reserva el derecho a introducir modificaciones de diseño sin previo aviso y sin compromisos ulteriores.

Toda la información y todos los datos contenidos en este manual de instrucciones son vigentes en la fecha de impresión del manual.



**¡ATENCIÓN! No está permitido modificar el diseño original de la máquina, por ningún motivo, sin la autorización del fabricante. Utilice siempre accesorios originales. Las modificaciones y/o el uso de accesorios no autorizados comportan riesgo de daños personales graves y peligro de muerte para el usuario y otras personas.**



**¡ATENCIÓN! El uso de productos que cortan, pulen, taladran, alisan o forman materiales puede generar polvo y vapores que pueden contener sustancias químicas dañinas. Averiguar la composición del material con que se trabaja y usar una máscara respiratoria adecuada.**

## Equipo de protección personal

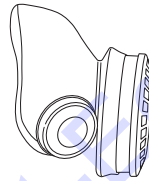


**¡ATENCIÓN! Para trabajar con la máquina debe utilizarse un equipo de protección personal homologado. El equipo de protección personal no elimina el riesgo de lesiones, pero reduce su efecto en caso de accidente. Pida a su distribuidor que le asesore en la elección del equipo.**

- Casco protector
- Protectores auriculares
- Gafas protectoras o visor



- Máscara respiratoria



- Guantes resistentes de agarre seguro.



- Prendas de vestir ceñidas, resistentes y cómodas que permitan una libertad de movimientos total.



- Botas con puntera de acero y suela antideslizante.



- Tenga siempre a mano el equipo de primeros auxilios.



# INSTRUCCIONES DE SEGURIDAD

## Instrucciones generales de seguridad



**¡ATENCIÓN!** Lea todas las advertencias e instrucciones de seguridad. No atender a estas advertencias e instrucciones puede provocar descargas eléctricas, incendios y lesiones graves.

### Seguridad en el área de trabajo

- **Mantenga el área de trabajo limpia y bien iluminada.** Las zonas abarrotadas de cosas u oscuras favorecen los accidentes.
- **No maneje herramientas eléctricas en ambientes explosivos como aquellos en los que hay líquidos, gases o polvo inflamables.** Las herramientas eléctricas producen chispas que pueden inflamar el polvo o los vapores.
- Las personas y los animales pueden distraer y hacer perder el control de la máquina. Por consiguiente, el operador debe estar siempre concentrado en su trabajo.
- No trabaje en condiciones atmosféricas desfavorables como niebla, lluvia intensa, tempestad, frío intenso, etc. Trabajar con mal tiempo es cansador y puede crear condiciones peligrosas, por ejemplo suelo resbaladizo.
- Antes de comenzar a trabajar con la máquina, controle siempre que el lugar esté libre y que los pies estén bien afirmados al terreno. Controle posibles obstáculos en caso de movimientos repentinos. Asegúrese de que no haya elementos que puedan caer y provocar daños al trabajar con la máquina.
- Controlar siempre la parte posterior de la superficie en la que sale la broca al penetrar. Impedir el acceso cercando la zona de trabajo y procurar que no haya riesgo de daños personales o materiales.

### Seguridad eléctrica



**¡ATENCIÓN!** Existe siempre riesgo de sacudidas eléctricas al usar máquinas eléctricas. No usar la máquina en condiciones climáticas desfavorables y evitar el contacto del cuerpo con pararrayos y objetos metálicos. Seguir siempre las instrucciones del manual para evitar daños.



**¡ATENCIÓN!** No lave la máquina con agua, ya que puede penetrar en el sistema eléctrico o en el motor y causar daños en la máquina o un cortocircuito.

- No utilice nunca la herramienta sin el diferencial que se entrega con ella.
- La máquina se debe enchufar a un enchufe con masa.
- Compruebe que la tensión de red concuerda con la que se indica en la placa de características de la máquina.
- Compruebe que el cable y el cable de empalme está intacto. Utilizar un cable de alargue para uso a la intemperie.
- Si se daña un cable, no utilice la máquina. Llévela a reparar a un taller de servicio oficial.

- Un cable de alargue no debe usarse enrollado porque hay riesgo de sobrecalentamiento.
- No lleve nunca la máquina agarrando el cable y no tire del cable para desenchufarla.
- Mantenga todos los cables y cables de empalme apartados de agua, aceite y cantos agudos. Proceda con cuidado para evitar que el cable se apriete en puertas, vallas o similares. Hay riesgo de cargar objetos con electricidad.
- El sistema de agua refrigera la broca del taladro con agua limpia. No esponga la herramienta eléctrica a una humedad mayor que la del sistema hidráulico. Debe asegurarse de que no entra lechada en la máquina.
- No esponga la herramienta eléctrica a la lluvia. El riesgo de recibir descargas eléctricas aumentará si penetra agua en la herramienta eléctrica.
- Al emplear la máquina, hágalo con el cable detrás suyo para evitar dañarlo.

### Seguridad personal

- Utilice el equipo de protección personal. Vea las instrucciones bajo el título "Equipo de protección personal".
- Nunca utilice la máquina si está cansado, si ha ingerido alcohol o si toma medicamentos que puedan afectar la vista, su capacidad de discernimiento o el control del cuerpo.
- Evite el encendido accidental de la herramienta. Asegúrese de que el interruptor está en la posición de apagado antes de conectar la máquina a la fuente de alimentación. Transportar herramientas eléctricas con el dedo puesto sobre el interruptor o encenderlas con el interruptor en la posición de encendido puede provocar accidentes.
- **Quite todas las clavijas de ajuste o llaves de tuercas antes de encender la herramienta eléctrica.** Una llave de tuercas o clavija de ajuste que se ha dejado colocada en una pieza giratoria de la herramienta eléctrica puede causar lesiones.
- Nunca deje que terceros utilicen la máquina sin asegurarse primero de que hayan entendido el contenido de este manual de instrucciones.
- Tener en cuenta que las ropas, el pelo largo y las joyas pueden atascarse en piezas móviles.
- Mantenerse apartado de la broca cuando el motor está en marcha.
- Comprobar que en la zona que se va a perforar no haya tuberías ni cables eléctricos instalados.
- No abandonar nunca la máquina sin vigilar, con el motor en marcha.
- Desenchufar siempre el contacto para paradas prolongadas del trabajo.
- Un operador nunca debe trabajar solo; siempre debe haber otra(s) persona(s) cerca. Así, además de tener ayuda para montar la máquina, también puede recibirse asistencia en caso de accidente.

# INSTRUCCIONES DE SEGURIDAD

## Uso y cuidado

- No utilice nunca una máquina defectuosa. Lleve a cabo las comprobaciones de seguridad y siga las instrucciones de mantenimiento y servicio de este manual. Algunas medidas de mantenimiento y servicio deben ser efectuadas por especialistas formados y cualificados. Consulte las instrucciones del apartado Mantenimiento.
- El control y/o mantenimiento de la máquina debe hacerse con el motor parado y el enchufe desenchufado.
- **No utilice la herramienta eléctrica si el interruptor no funciona.** Las herramientas que no se puedan controlar con el interruptor son peligrosas y deben repararse.
- No utilice nunca una máquina que haya sido modificada de modo que ya no coincida con la configuración original.
- No sobrecargar la máquina. La sobrecarga puede dañar la máquina.
- Mantener las herramientas afiladas y limpias para que el trabajo sea más seguro.
- Mantener todas las piezas en perfecto estado y comprobar que todos los elementos de fijación estén bien apretados.

## Transporte y almacenamiento

- Para proteger la taladradora y las brocas contra daños, no almacenar ni transportar la taladradora con la broca montada.
- Guardar la taladradora en un espacio cerrado con llave para que sea inaccesible a niños y personas no autorizadas.
- Guardar la taladradora y el soporte en un lugar seco y con temperatura sobre cero.

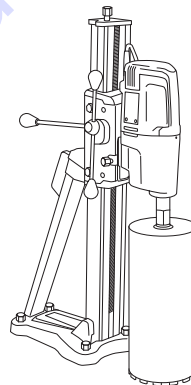
## Instrucciones generales de trabajo



**¡ATENCIÓN!** Este capítulo trata las reglas de seguridad básicas para trabajar con la taladradora. La información no puede sustituir nunca a los conocimientos, formación y experiencia práctica de un profesional. Si en alguna situación hay inseguridad en cuanto a seguir empleando la máquina, consultar con un experto. Consultar al distribuidor, al taller de servicio o a un usuario de taladradoras experimentado. No se debe emplear la máquina en aplicaciones para las que el usuario no se considera plenamente cualificado.

- La máquina tiene un par torsor muy alto. Esto requiere una gran concentración durante el trabajo debido al riesgo de daños personales graves si la broca se bloquea súbitamente.
- Mantener las manos apartadas del husillo de taladro y la broca cuando funciona la máquina.
- Prestar atención a las fugas de aceite o de agua. Si sale agua o aceite por el agujero de fuga de la parte superior del collar de accionamiento, hay que cambiar las juntas.

## Perforación con soporte



- La máquina está diseñada para perforación con soporte.
- Se recomiendan los siguientes soportes de taladro para el motor de la perforadora:
  - DS 50 AT/ATS/Gyro/COMBO/BASIC
  - DS 70 AT/ATS
  - DS 450 ATS
- Comprobar que el soporte está bien anclado.
- Comprobar que la taladradora está bien fijada en el soporte.

## Perforación a la intemperie

- Usar siempre cables de empalme homologados para uso en intemperie.

## Para taladrar en techos y similares:

- Utilizar un colector de agua para impedir que entre agua en la máquina.



# INSTRUCCIONES DE SEGURIDAD

## Equipo de seguridad de la máquina

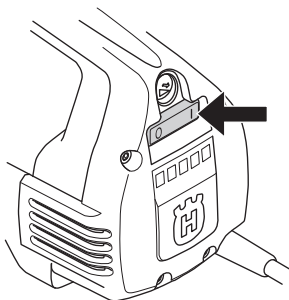
En este capítulo se describen los componentes de seguridad de la máquina, su función y el modo de efectuar el control y el mantenimiento para garantizar un funcionamiento óptimo. En cuanto a la ubicación de estos componentes en su máquina, vea el capítulo Qué es qué.



**¡ATENCIÓN! Nunca utilice una máquina con componentes de seguridad defectuosos.**

**¡IMPORTANTE!** Todos los trabajos de servicio y reparación de la máquina requieren una formación especial. Esto es especialmente importante para el equipo de seguridad de la máquina. Si la máquina no pasa alguno de los controles indicados a continuación, acuda a su taller de servicio local. La compra de alguno de nuestros productos le garantiza que puede recibir un mantenimiento y servicio profesional. Si no ha adquirido la máquina en una de nuestras tiendas especializadas con servicio, solicite información sobre el taller de servicio más cercano.

## Interruptor



El interruptor se usa para arrancar y parar la máquina.

### Control del interruptor

- Encienda la máquina con el interruptor de encendido / apagado.
- Accione el interruptor de encendido / apagado para apagar la máquina.
- Un interruptor defectuoso debe ser cambiado por un taller de servicio oficial.

## Interruptor de circuito de pérdida a tierra

Los interruptores de circuito de pérdida a tierra aportan protección en caso de que se produzca un fallo eléctrico.

El LED indica que el interruptor de circuito de pérdida a tierra está encendido y que la máquina puede encenderse. Si el LED no está encendido, pulse el botón RESET (Reinicio) (verde).



## Compruebe el interruptor de circuito de pérdida a tierra

- Conecte la máquina a la toma. Pulse el botón RESET (verde) y el LED rojo se encenderá.



- Arrancar la máquina pulsando el interruptor.
- Pulse el botón TEST (Prueba) (azul).



- El interruptor de circuito de pérdida a tierra se activará y la máquina se apagará inmediatamente. En caso contrario, póngase en contacto con su distribuidor.
- Reinicielo pulsando el botón RESET (verde).



# ARRANQUE Y PARADA

## Antes de arrancar



**¡ATENCIÓN!** Antes de arrancar, observe lo siguiente:

La máquina se debe enchufar a un enchufe con masa.

No utilice nunca la herramienta sin el diferencial que se entrega con ella. Compruebe el interruptor del circuito de avería por puesta a tierra. Vea las instrucciones bajo el título Control, mantenimiento y servicio del equipo de seguridad de la máquina.

Compruebe que la tensión de red concuerda con la que se indica en la placa de características de la máquina.

El usuario debe mantener una postura firme. Asegúrese de que no haya terceros desautorizados en la zona de trabajo.

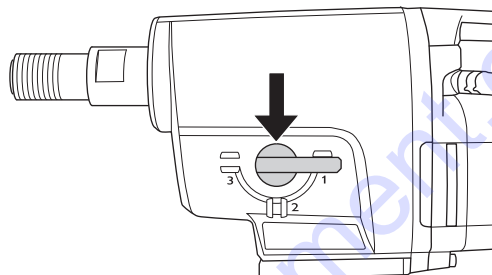
Comprobar que:

- El bloqueador de interruptor, el cable y la salida eléctrica están intactos. De no ser así, deben ser reemplazados por un operario autorizado.
- Los conductos del aire de refrigeración no están bloqueados.
- La máquina y sus equipos están correctamente montados.
- La base está fijada correctamente y el taladro se encuentra sobre la base.
- La broca está bien fijada.
- La refrigeración por agua se encuentra conectada a la máquina y no está dañada.
- Utilizar una broca adecuada para perforación húmeda o en seco. En caso de inseguridad, consultar con el distribuidor, el taller de servicio o un usuario de taladradoras experimentado.
- Evite el encendido accidental de la herramienta. Asegúrese de que el interruptor está en la posición de apagado antes de conectar la máquina a la fuente de alimentación.

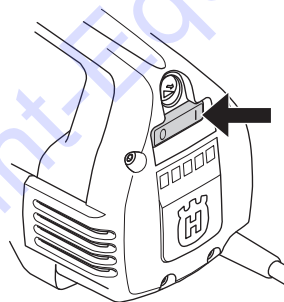
## Arranque

**¡IMPORTANTE!** El cambio de marchas sólo debe hacerse con la máquina parada. De lo contrario hay riesgo de averiar la caja de cambios.

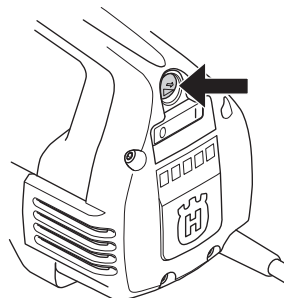
- 1 Ajustar la velocidad de trabajo, girando el husillo de taladradora y, al mismo tiempo, poniendo la manija de cambio en la posición deseada.



- 2 Activar la refrigeración por agua.
- 3 Encienda la máquina con el interruptor de encendido / apagado.



Si se desea, presionar el botón Smartstart™.



## Parada



**¡ATENCIÓN!** La broca continúa girando unos instantes después de parar el motor.

No detener la broca con las manos. De hacerlo, hay riesgo de daños personales.

Accione el interruptor de encendido / apagado para apagar la máquina.

## Refrigeración

Hacer funcionar la máquina sin carga durante unos minutos para enfriar el motor.

# MANTENIMIENTO

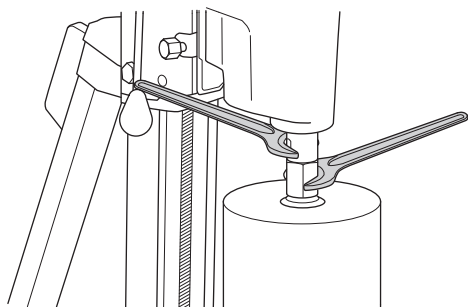
## Generalidades

**¡IMPORTANTE!** El control y/o mantenimiento de la máquina debe hacerse con el motor parado y el enchufe desenchufado.

La vida útil de la máquina se alarga considerablemente si se utiliza, cuida y mantiene correctamente.

## Cambio de broca

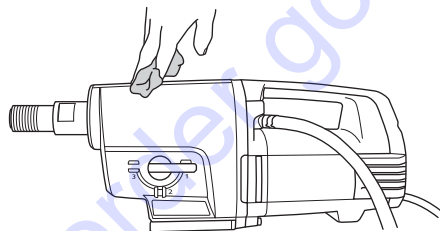
- 1 Desenchufar la máquina.
- 2 Preparar:
  - La broca nueva.
  - Llaves de tuercas (tamaño: 24 mm y 32 mm).
  - Grasa hidrófuga.
- 3 Desmontar la broca vieja con las llaves fijas.
- 4 Aplicar grasa hidrófuga en la rosca de la broca nueva.
- 5 Montar la broca con las llaves fijas.



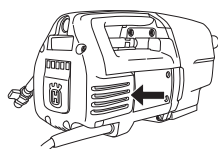
Antes de arrancar la máquina, comprobar que la broca nueva esté bien fijada.

## Limpieza

- Mantener limpia la máquina y la broca para que la perforación se pueda hacer de forma segura.



- Mantener la empuñadura seca y limpia de grasa y aceite.
- Para que la máquina tenga siempre una buena refrigeración, las aberturas de paso del aire refrigerante deben mantenerse libres y limpias.



- Limpiar el motor con aire comprimido a intervalos regulares. Quitar la tapa de inspección y limpiarla.

## Suministro eléctrico



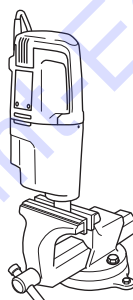
**¡ATENCIÓN!** No usar nunca cables dañados, puesto que pueden causar daños personales graves e incluso mortales.

Compruebe que el cable y el cable de empalme está intacto. Si se daña el cable, no utilice la máquina. Llévela a un taller de servicio oficial para reparar.

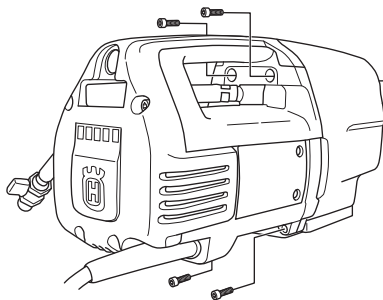
## Cambio del aceite de la caja de cambios

Consultar con el distribuidor en cuanto al aceite adecuado. El aceite de la caja de cambios debe cambiarse cada 400 horas de trabajo. Procedimiento de cambio:

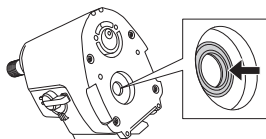
- 1 Preparar:
  - Aceite nuevo: STATOIL SYNTOL 75W-90 u otro aceite para engranajes similar.
  - Recipiente para recoger el aceite viejo.
- 2 Fijar la máquina en un tornillo de banco o similar, con el husillo de taladro hacia abajo.



- 3 Quitar los cuatro tornillos que fijan el motor en el módulo de caja de cambios.



- 4 Desmontar la máquina con cuidado.
- 5 Vaciar el aceite de la caja de cambios en el recipiente.
- 6 En caso necesario, contactar con el distribuidor para la limpieza de la caja de cambios.
- 7 Poner aceite nuevo en la caja de cambios; aproximadamente 0,5 litros.



- 8 Compruebe que el saliente obturador de la junta radial está intacto.
- 9 Armar la máquina y poner los cuatro tornillos. Tenga cuidado al montarla para no dañar la junta radial.

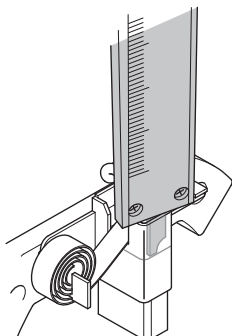
# MANTENIMIENTO

## Cambio de escobillas de carbón

Las escobillas deben desmontarse y revisarse regularmente. Cada semana si la máquina se utiliza a diario, o a intervalos más largos si se utiliza con menor frecuencia. La superficie de desgaste debe estar regular e intacta.

Las escobillas de carbón deben cambiarse cuando se haya desgastado la mitad.

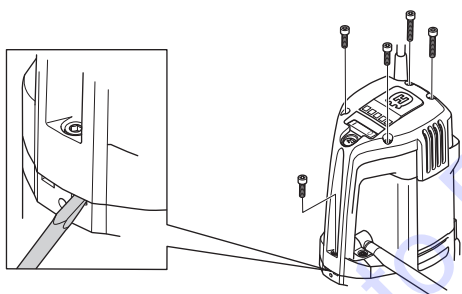
El desgaste puede medirse con una galga deslizante sin tener que desmontar las escobillas.



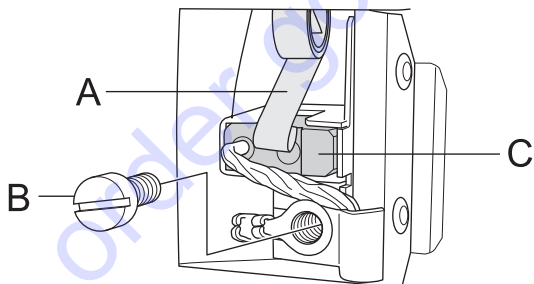
Sustituya las escobillas de carbón cuando la distancia desde el portaescobilla hasta la parte superior de la escobilla sea superior a 10 mm/0,4 pulgadas.

Ambas escobillas deben cambiarse siempre en la misma oportunidad, pero de una en una. Procedimiento de cambio:

- 1 Quitar los 5 tornillos de la tapa de inspección. Introduzca un cincel en las aberturas para retirar con más facilidad la cubierta de inspección.



- 2 Levante el muelle retenedor del cepillo hacia un lado (1).



- 3 Afloje el tornillo (2).
- 4 Sacar la conexión de escobilla.
- 5 Extraiga el cepillo de carbón del soporte (3).
- 6 Limpie el portaescobillas con aire comprimido o con un cepillo. Reemplace la escobilla si está gastada.
- 7 Coloque la escobilla de carbón nueva. Asegúrese de que el lado con el cable de cobre está dirigido hacia la caja de engranajes y que la escobilla de carbón se introduce con facilidad en el retenedor de la escobilla. Si la escobilla de carbón está colocada en la dirección errónea, puede atascarse.

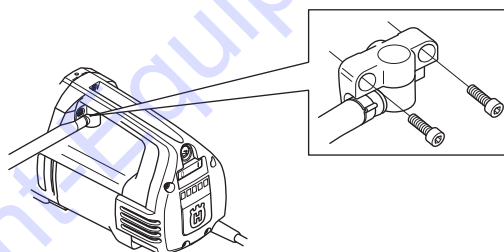
- 8 Colocar el muelle del portaescobilla.
- 9 Insertar la conexión de escobilla debajo del tornillo.
- 10 Repetir el procedimiento con la otra escobilla.
- 11 Introduzca la cubierta de inspección en las guías del mango. Comenzando por el tornillo inferior del mango, desatornille los cinco tornillos de la cubierta de inspección.
- 12 Dejar la máquina funcionando en ralentí durante 20 minutos para hacer el rodaje de las escobillas nuevas.

Deje la máquina a ralentí durante 20 minutos con el botón Smartstart (R) activo para realizar el procedimiento de rodaje de las escobillas.

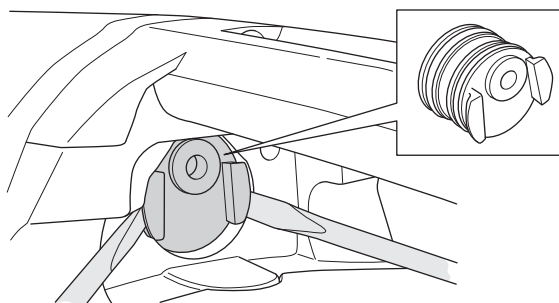
## Cambio del anillo de retención de la junta

Si se produce una fuga de aceite o agua, será necesario cambiar el anillo de retención de la junta.

- 1 Afloje los dos tornillos del módulo hidráulico.



- 2 Utilice dos destornilladores de cabeza plana para extraer el anillo de retención de la junta haciendo palanca cuidadosamente.
- 3 Introduzca con suavidad el nuevo anillo de retención de la junta y vuelva a atornillar el módulo hidráulico.



## Mantenimiento diario

- 1 Compruebe que los tornillos y las tuercas estén apretados.
- 2 Compruebe que la unidad de interruptor funciona de forma segura.
- 3 Limpie la parte exterior de la máquina.
- 4 Revise y limpie las aberturas de aire refrigerante.
- 5 Compruebe que el cable y el cable de empalme está intacto.

## Reparaciones

**Importante** Las reparaciones de todo tipo deben ser efectuadas por técnicos autorizados, únicamente. De este modo se evita someter a los operadores a grandes riesgos.

# DATOS TECNICOS

## Datos técnicos

	DM 340	DM 340
Motor eléctrico	Monofásico	Monofásico
Tensión nominal, V	220-240	100-120
Potencia nominal, W	3300	3300
Amperaje nominal, A	16	32
Peso, kg	14	14
<b>Diámetro máximo de broca, mm/pulgadas</b>	400/16	400/16
<b>Refrigeración por agua</b>		
Rosca de husillo	G 1 1/4"	G 1 1/4"
Conexión de agua	G 1/4'	G 1/4'
Presión del agua - máx, bar	8	8
<b>Emisiones de ruido (vea la nota 1)</b>		
Nivel de potencia acústica medido dB(A)	112	112
Nivel de potencia acústica garantizado dB(A)	113	113
<b>Niveles acústicos (vea la nota 2)</b>		
Nivel de presión acústica en el oído del usuario, dB(A)	98	98
<b>Niveles de vibraciones, <math>a_{hv}</math> (vea la nota 3)</b>		
Empuñadura, $m/s^2$	1,0	1,0

Nota 1: Emisiones sonoras en el entorno medidas como potencia sonora ( $L_{WA}$ ) según la norma EN 12348.

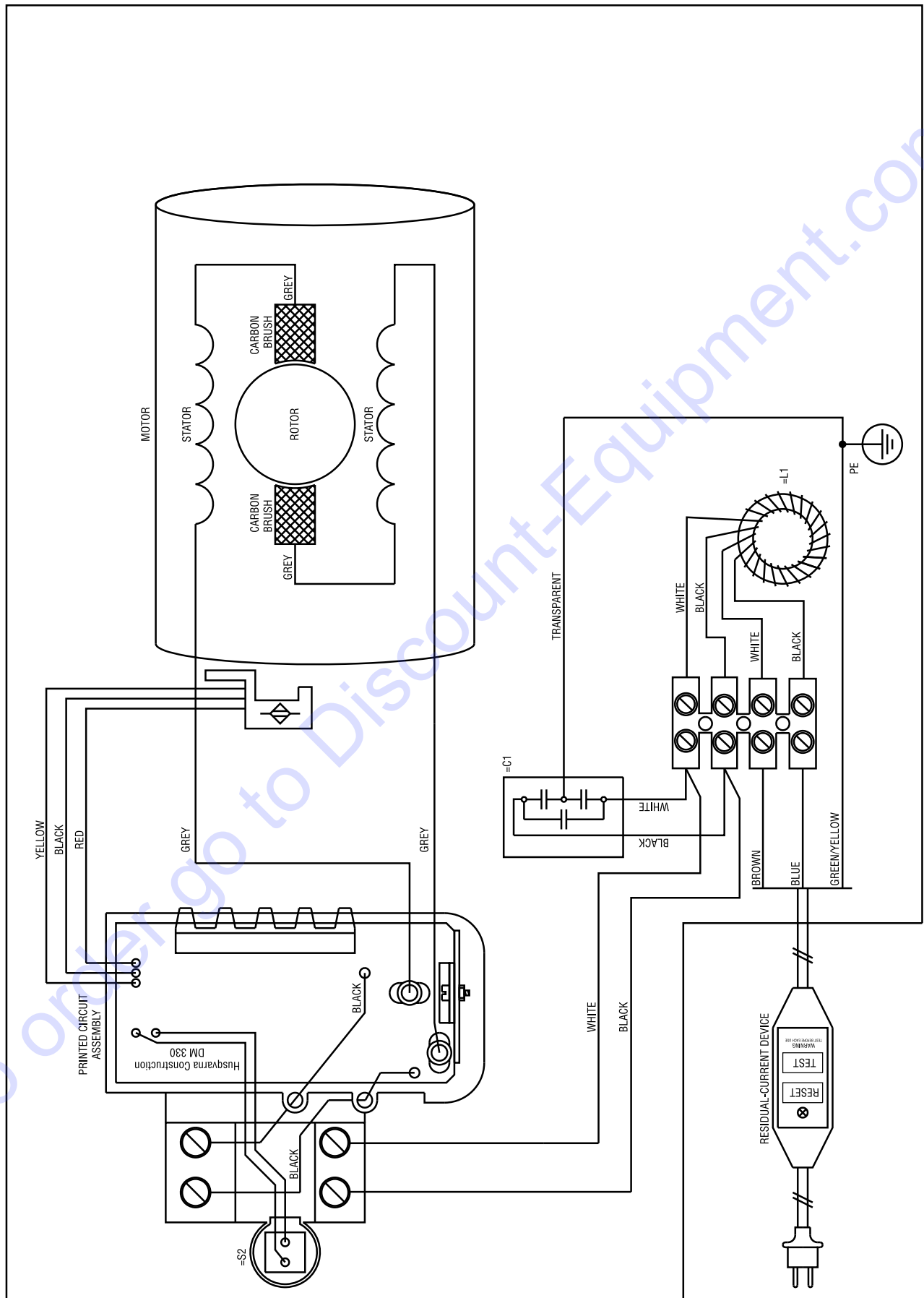
Nota 2: Nivel de presión sonora conforme a EN 12348. Los datos referidos del nivel de presión sonora tienen una dispersión estadística habitual (desviación estándar) de 1,0 dB(A).

Nota 3: Nivel de vibración conforme a EN 12348. Los datos referidos del nivel de vibración poseen una dispersión estadística habitual (desviación típica) de 1  $m/s^2$ .

Engranaje	Velocidad de la broca sin carga, r.p.m.	Velocidad de la broca con carga, r.p.m.	Tamaño de broca recomendado, mm	Tamaño de broca recomendado, pulgadas
1	240	170	200-400	8-16
2	530	380	100-200	4-8
3	900	1190	50-100	2-4

# ESQUEMA DE CONEXIONES ELÉCTRICAS

## Esquema de conexiones eléctricas



To order go to [Discount-Equipment.com](http://Discount-Equipment.com)

GB - Original instructions, CA - Instructions d'origine, ES - Instrucciones originales

1155084-95 rev3



2014-09-08

**TO PURCHASE THIS PRODUCT PLEASE CONTACT US**



**Equipment Financing and  
Extended Warranties Available**



**Discount-Equipment.com is your online resource for  
commercial and industrial quality parts and equipment sales.**

**561-964-4949**

**visit us on line @ [www.discount-equipment.com](http://www.discount-equipment.com)**

Select an option below to find your Equipment

**Search by Manufacturer**

**Search by Product Type**

**Request a Quote**

We sell worldwide for the brands: Genie, Terex, JLG, MultiQuip, Mikasa, Essick, Whiteman, Mayco, Toro Stone, Diamond Products, Generac Magnum, Airman, Haulotte, Barreto, Power Blanket, Nifty Lift, Atlas Copco, Chicago Pneumatic, Allmand, Miller Curber, Skyjack, Lull, Skytrak, Tsurumi, Husquvarna Target, Stow, Wacker, Sakai, Mi-T-M, Sullair, Basic, Dynapac, MBW, Weber, Bartell, Bennar Newman, Haulotte, Ditch Runner, Menegotti, Morrison, Contec, Buddy, Crown, Edco, Wyco, Bomag, Laymor, EZ Trench, Bil-Jax, F.S. Curtis, Gehl Pavers, Heli, Honda, ICS/PowerGrit, IHI, Partner, Imer, Clipper, MMD, Koshin, Rice, CH&E, General Equipment, Amida, Coleman, NAC, Gradall, Square Shooter, Kent, Stanley, Tamco, Toku, Hatz, Kohler, Robin, Wisconsin, Northrock, Oztec, Toker TK, Rol-Air, APT, Wylie, Ingersoll Rand / Doosan, Innovatech, Con X, Ammann, Mecalac, Makinex, Smith Surface Prep, Small Line, Wanco, Yanmar