



# SPARE PARTS LIST

DRILLING EQUIPMENT

DS150, 2008-07

Go to [Discount-Equipment.com](http://Discount-Equipment.com) to order your parts



# PARTS FINDER

**Search Website  
by Part Number**



**Search Manual  
Library For Parts  
Manual & Lookup Part  
Numbers – Purchase  
or Request Quote**

**Search Manuals**

Enter your information to help us find the right parts manual for your machine.

\* Brand:

\* Model:

\* Serial:

\* Part Number:

SEARCH

**Can't Find Part or  
Manual? Request Help  
by Manufacturer,  
Model & Description**

**Parts Order Form**

Please fill in the following information to help us find the right part for your machine.

Manufacturer:	<input type="text"/>
Model:	<input type="text"/>
Description:	<input type="text"/>
Part Number:	<input type="text"/>
Quantity:	<input type="text"/>
Notes:	<input type="text"/>

Submit

Discount-Equipment.com is your online resource for quality parts & equipment.

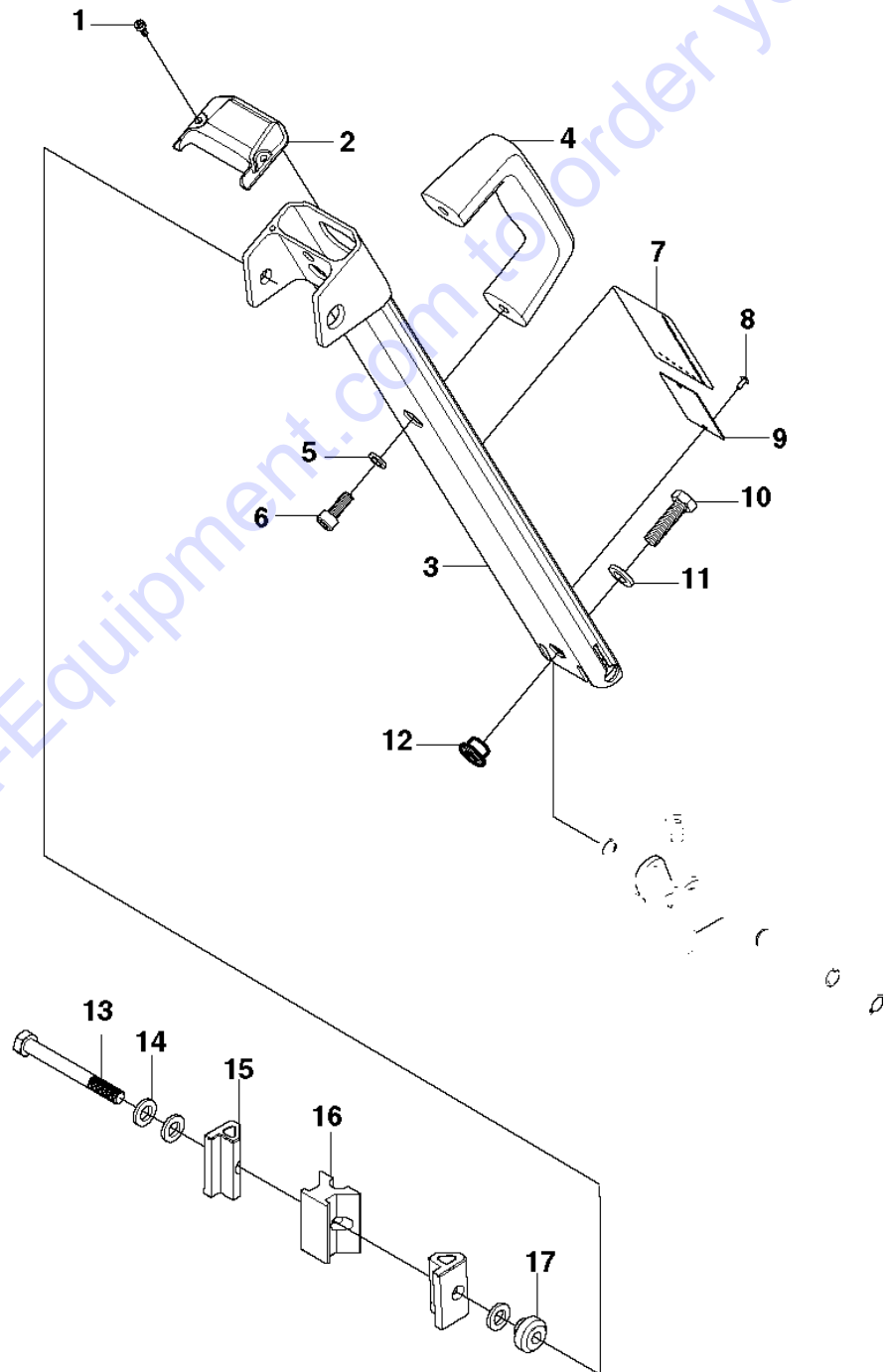
Florida: **561-964-4949** Outside Florida TOLL FREE: **877-690-3101**

**Need parts?**

Click on this link: <http://www.discount-equipment.com/category/5443-parts/> and choose one of the options to help get the right parts and equipment you are looking for. Please have the machine model and serial number available in order to help us get you the correct parts. If you don't find the part on the website or on one of the online manuals, please fill out the request form and one of our experienced staff members will get back to you with a quote for the right part that your machine needs.

We sell worldwide for the brands: Genie, Terex, JLG, MultiQuip, Mikasa, Essick, Whiteman, Mayco, Toro Stone, Diamond Products, Generac Magnum, Airman, Haulotte, Barreto, Power Blanket, Nifty Lift, Atlas Copco, Chicago Pneumatic, Allmand, Miller Curber, Skyjack, Lull, Skytrak, Tsurumi, Husquvarna Target, Stow, Wacker, Sakai, Mi-T-M, Sullair, Basic, Dynapac, MBW, Weber, Bartell, Bennar Newman, Haulotte, Ditch Runner, Menegotti, Morrison, Contec, Buddy, Crown, Edco, Wyco, Bomag, Laymor, EZ Trench, Bil-Jax, F.S. Curtis, Gehl Pavers, Heli, Honda, ICS/PowerGrit, IHI, Partner, Imer, Clipper, MMD, Koshin, Rice, CH&E, General Equipment, Amida, Coleman, NAC, Gradall, Square Shooter, Kent, Stanley, Tamco, Toku, Hatz, Kohler, Robin, Wisconsin, Northrock, Oztec, Toker TK, Rol-Air, APT, Wylie, Ingersoll Rand / Doosan, Innovatech, Con X, Ammann, Mecalac, Makinex, Smith Surface Prep, Small Line, Wanco, Yanmar

# B



Go to Discount-Equipment.com to order your parts

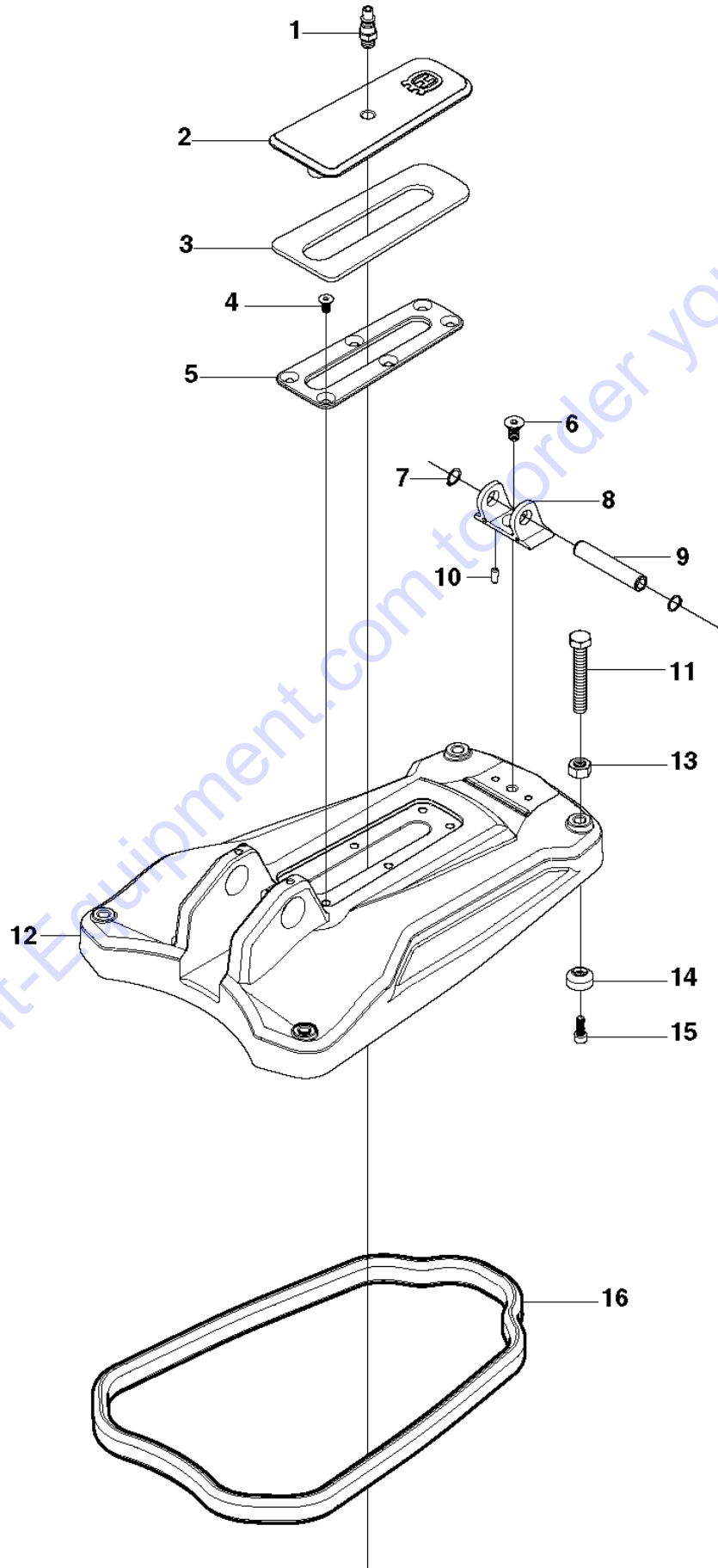
## BACK SUPPORT

DS150, 2008-07

Ref	Part No	Description	Remark	QTY KIT
1	725 52 89-01	SCREW IHSCM		2
2	541 40 48-99	BACK SUPPORT PLASTIC GUARD		1
3	541 40 48-84	DS 150 BACK SUPPORT WELDMENT		1
4	541 40 49-09	HANDLE		1
5	734 11 63-01	WASHER		2
6	725 54 51-01	SCREW IHSCM		2
7	722 78 25-03	BLIND RIVET		2
8	541 40 50-96	DS 150 CE COMPLIANCE PLATE		1
9	725 24 97-71	SCREW EHHM		1
10	734 11 72-01	WASHER		1
11	541 40 50-67	COLUMN		1
12	541 40 40-98	DRILL OPERATING/INSTRUCTION DEC		1
13	725 25 09-51	SCREW EHHM		1
14	734 11 72-01	WASHER		3
15	541 40 48-24	BACK SUPPORT SIDE CLAMP		2
16	541 40 48-22	BACK SUPPORT T - CLAMP		1
17	541 40 48-27	BACK SUPPORT BUSHING		1

Go to [Discount-Equipment.com](http://Discount-Equipment.com) to order your parts

# A



Go to Discount-Equipment.com to order your parts

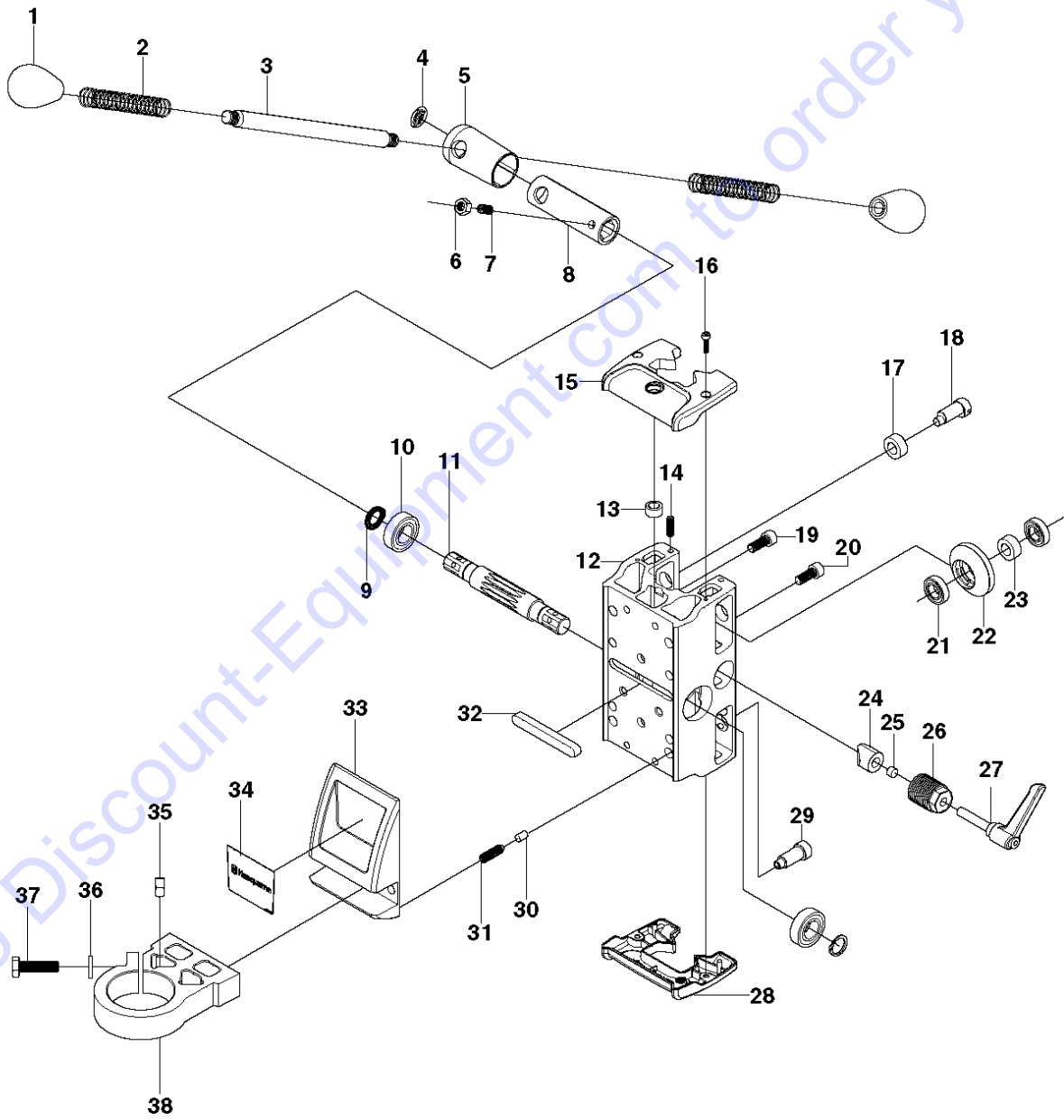
## BASE PLATE

DS150, 2008-07

Ref	Part No	Description	Remark	QTY KIT
1	541 40 40-71	NIPPLE		1
2	541 40 49-03	VACUUM GASKET / VACUUM CAP		1
3	725 63 66-01	SCREW IHCSFM		1
4	725 64 49-01	SCREW IHCSFM		1
5	541 40 48-92	SLOT GUARD		6
6	725 64 49-01	SCREW IHCSFM		1
7	735 31 15-00	CIRCLIP		2
8	541 40 48-87	BACK SUPPORT BASE MOUNT		1
9	541 40 50-88	DS 250 BACK SUPPORT PIVOT AXLE		1
10	720 13 06-50	PARALLEL PIN		2
11	541 40 40-80	SCREW		4
12	541 40 48-61	BASE		1
13	731 23 20-01	HEXAGON NUT		4
14	541 40 40-84	SCREW		4
15	725 53 68-01	SCREW IHSCM		1
16	578 93 21-01	GASKET		1

Go to [Discount-Equipment.com](http://Discount-Equipment.com) to order your parts

D



## CARRIAGE

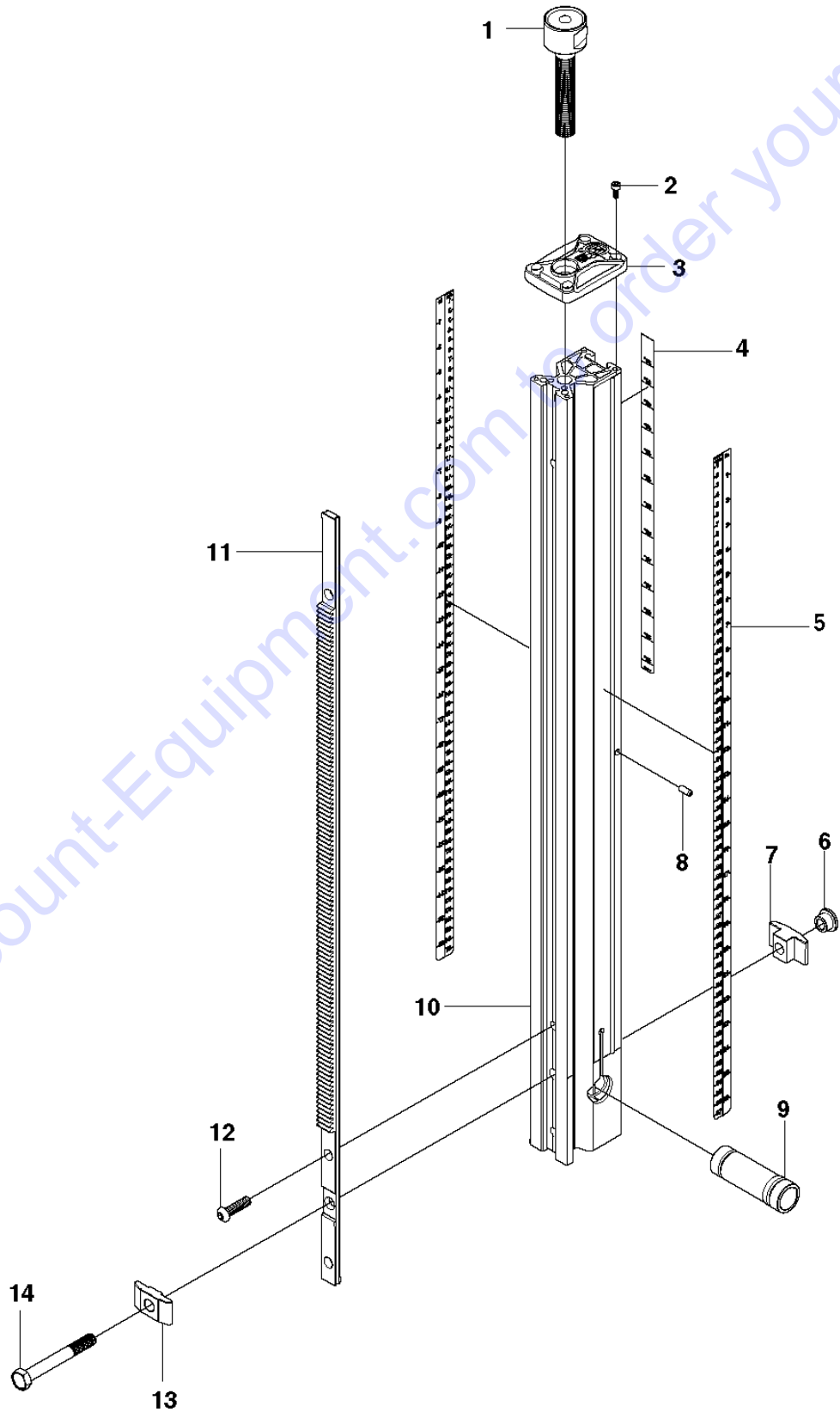
DS150, 2008-07

Ref	Part No	Description	Remark	QTY KIT
1	531 14 06-72	GRIP		2
2	541 40 51-63	FEEDING CRANC SPRING		1
3	541 40 49-05	FEEDING CRANK SHAFT		1
4	541 40 50-47	DECAL		1
5	541 40 51-37	FEEDING HANDLE PLASTIC COVER		1
6	732 21 18-01	LOCK NUT		2
7	541 40 41-33	M8X1.25 BALL PLUNGER DS160C		2
8	541 40 40-44	TRAVEL LEVER DRIVE SHAFT/		1
9	735 31 19-00	CIRCLIP		4
10	738 21 03-04	BALL BEARING		1
11	541 40 48-06	CARRIAGE		2
12	541 40 47-98	MACHINED CARRIAGE		4
13	541 40 50-36	LEVEL BUBBLE		2
14	728 73 70-01	SCREW IHSETM		4
15	541 40 48-00	CARRIAGE PLASTIC GUARD - TOP		1
16	725 52 93-01	SCREW IHSCM		1
17	541 40 48-03	ECCENTRIC BUSHING		1
18	541 40 48-05	ECCENTRIC DISC		1
19	725 54 51-01	SCREW IHSCM		1
20	725 54 53-01	SCREW IHSCM		4
21	728 73 70-01	SCREW IHSETM		4
22	541 40 48-00	CARRIAGE PLASTIC GUARD - TOP		2
23	541 40 48-65	BRAKE THRUST PLATE		4
24	541 40 48-62	CARRIAGE PLASTIC GUARD - BOTTOM		1
25	541 40 40-31	KEY		1
26	541 40 40-32	GUIDE		1
27	728 64 53-01	SCREW IHSETM		3
28	541 40 48-62	CARRIAGE PLASTIC GUARD - BOTTOM		3
29	541 40 51-36	DECAL		1
30	541 40 40-32	GUIDE		1
31	728 64 53-01	SCREW IHSETM		2
32	541 40 40-31	KEY		1
33	541 40 48-01	DS 150 ADAPTOR PLATE		1
34	541 40 48-02	DS 150 COLLAR		1
35	541 40 51-61	FEEDING CRANK SHAFT SPRING		8
36	732 21 18-01	LOCK NUT		4
37	541 40 41-33	M8X1.25 BALL PLUNGER DS160C		1
38	541 40 47-98	MACHINED CARRIAGE		1

Go to Discount-Equipment.com to order your parts



# C



COLLUMN ASSY

DS150, 2008-07

Ref	Part No	Description	Remark	QTY KIT
1	541 40 48-09	JACKING SCREW ASSEMBLY		1
2	725 52 89-01	SCREW IHSCM		4
3	541 40 48-68	COULMN PLASTIC GUARD		1
4	541 40 48-20	DECAL		1
5	541 40 40-54	DECAL		2
6	541 40 50-67	COLUMN		1
7	541 40 48-70	COLUMN		1
8	720 13 06-50	PARALLEL PIN		2
9	541 40 48-81	COLUMN		1
10	541 40 48-17	DS 150 COLUMN EXTRUSION MACHINED		1
11	541 40 48-69	COLUMN		1
12	541 40 48-15	SCREW IHANM		3
13	541 40 48-18	DS 150 RACK		1
14	725 25 07-51	SCREW EHHM		1

Go to Discount-Equipment.com to order your parts

# PARTS FINDER

**Search Website  
by Part Number**



**Search Manual  
Library For Parts  
Manual & Lookup Part  
Numbers – Purchase  
or Request Quote**

**Search Manuals**

Enter your information to help us find the right parts manual for your machine.

\* Brand:

\* Model:

\* Serial:

\* Part Number:

SEARCH

**Can't Find Part or  
Manual? Request Help  
by Manufacturer,  
Model & Description**

**Parts Order Form**

Please fill in the following information to help us find the right part for your machine.

Manufacturer:	<input type="text"/>
Model:	<input type="text"/>
Description:	<input type="text"/>
Part Number:	<input type="text"/>
Quantity:	<input type="text"/>
Notes:	<input type="text"/>

Discount-Equipment.com is your online resource for quality parts & equipment.

Florida: **561-964-4949** Outside Florida TOLL FREE: **877-690-3101**

**Need parts?**

Click on this link: <http://www.discount-equipment.com/category/5443-parts/> and choose one of the options to help get the right parts and equipment you are looking for. Please have the machine model and serial number available in order to help us get you the correct parts. If you don't find the part on the website or on one of the online manuals, please fill out the request form and one of our experienced staff members will get back to you with a quote for the right part that your machine needs.

We sell worldwide for the brands: Genie, Terex, JLG, MultiQuip, Mikasa, Essick, Whiteman, Mayco, Toro Stone, Diamond Products, Generac Magnum, Airman, Haulotte, Barreto, Power Blanket, Nifty Lift, Atlas Copco, Chicago Pneumatic, Allmand, Miller Curber, Skyjack, Lull, Skytrak, Tsurumi, Husquvarna Target, Stow, Wacker, Sakai, Mi-T-M, Sullair, Basic, Dynapac, MBW, Weber, Bartell, Bennar Newman, Haulotte, Ditch Runner, Menegotti, Morrison, Contec, Buddy, Crown, Edco, Wyco, Bomag, Laymor, EZ Trench, Bil-Jax, F.S. Curtis, Gehl Pavers, Heli, Honda, ICS/PowerGrit, IHI, Partner, Imer, Clipper, MMD, Koshin, Rice, CH&E, General Equipment, Amida, Coleman, NAC, Gradall, Square Shooter, Kent, Stanley, Tamco, Toku, Hatz, Kohler, Robin, Wisconsin, Northrock, Oztec, Toker TK, Rol-Air, APT, Wylie, Ingersoll Rand / Doosan, Innovatech, Con X, Ammann, Mecalac, Makinex, Smith Surface Prep, Small Line, Wanco, Yanmar