

**GB**

## **Operator's manual**

Please read the operator's manual carefully and make sure you understand the instructions before using the machine.

**ES**

## **Manual de instrucciones**

Lea detenidamente el manual de instrucciones y asegúrese de entender su contenido antes de utilizar la máquina.

**DE**

## **Bedienungsanweisung**

Lesen Sie die Bedienungsanweisung sorgfältig durch und machen Sie sich mit dem Inhalt vertraut, bevor Sie das Gerät benutzen.

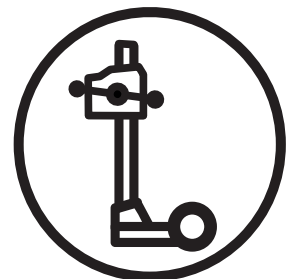
**FR**

## **Manuel d'utilisation**

Lire attentivement et bien assimiler le manuel d'utilisation avant d'utiliser la machine.

**DS 150**

**DS 250**



**GB ES DE FR**

**TO PURCHASE THIS PRODUCT PLEASE CONTACT US**



**Equipment Financing and  
Extended Warranties Available**



**Discount-Equipment.com is your online resource for  
commercial and industrial quality parts and equipment sales.**

**561-964-4949**

**visit us on line @ [www.discount-equipment.com](http://www.discount-equipment.com)**

Select an option below to find your Equipment

**Search by Manufacturer**

**Search by Product Type**

**Request a Quote**

We sell worldwide for the brands: Genie, Terex, JLG, MultiQuip, Mikasa, Essick, Whiteman, Mayco, Toro Stone, Diamond Products, Generac Magnum, Airman, Haulotte, Barreto, Power Blanket, Nifty Lift, Atlas Copco, Chicago Pneumatic, Allmand, Miller Curber, Skyjack, Lull, Skytrak, Tsurumi, Husquvarna Target, Stow, Wacker, Sakai, Mi-T-M, Sullair, Basic, Dynapac, MBW, Weber, Bartell, Bennar Newman, Haulotte, Ditch Runner, Menegotti, Morrison, Contec, Buddy, Crown, Edco, Wyco, Bomag, Laymor, EZ Trench, Bil-Jax, F.S. Curtis, Gehl Pavers, Heli, Honda, ICS/PowerGrit, IHI, Partner, Imer, Clipper, MMD, Koshin, Rice, CH&E, General Equipment, Amida, Coleman, NAC, Gradall, Square Shooter, Kent, Stanley, Tamco, Toku, Hatz, Kohler, Robin, Wisconsin, Northrock, Oztec, Toker TK, Rol-Air, APT, Wylie, Ingersoll Rand / Doosan, Innovatech, Con X, Ammann, Mecalac, Makinex, Smith Surface Prep, Small Line, Wanco, Yanmar

# KEY TO SYMBOLS

## Symbols on the machine:

WARNING! The machine can be a dangerous tool if used incorrectly or carelessly, which can cause serious or fatal injury to the operator or others.



Please read the operator's manual carefully and make sure you understand the instructions before using the machine.



Always wear:

- Approved protective helmet
- Approved hearing protection
- Protective goggles or a visor
- Breathing mask



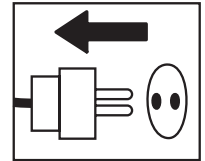
Ensure that water cannot leak into the machine when drilling in the ceiling. Use an appropriate water collector and cover the machine in plastic, but do not cover the air intakes and air outlets.



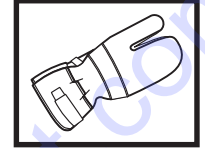
**Other symbols/decals on the machine refer to special certification requirements for certain markets.**

## Symbols in the operator's manual:

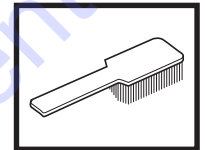
Inspection and/or maintenance should be carried out with the motor switched off and the plug disconnected.



Always wear approved protective gloves.



Regular cleaning is required.



Visual check.



Protective goggles or a visor must be worn.



---

# CONTENTS

---

## Contents

### KEY TO SYMBOLS

Symbols on the machine: .....	2
Symbols in the operator's manual: .....	2

### CONTENTS

Contents .....	3
----------------	---

### WHAT IS WHAT?

What is what on the stand? .....	4
----------------------------------	---

### SAFETY INSTRUCTIONS

Steps before using a new stand .....	5
Personal protective equipment .....	5
General safety precautions .....	6

### PRESENTATION

Stand DS 150 and DS 250 .....	7
-------------------------------	---

### ASSEMBLY

Fit the wheel kit .....	8
Secure the stand .....	8
Assembly of drill motor .....	9
Adjust the column tilt .....	9
Drilling in the ceiling .....	9

### MAINTENANCE

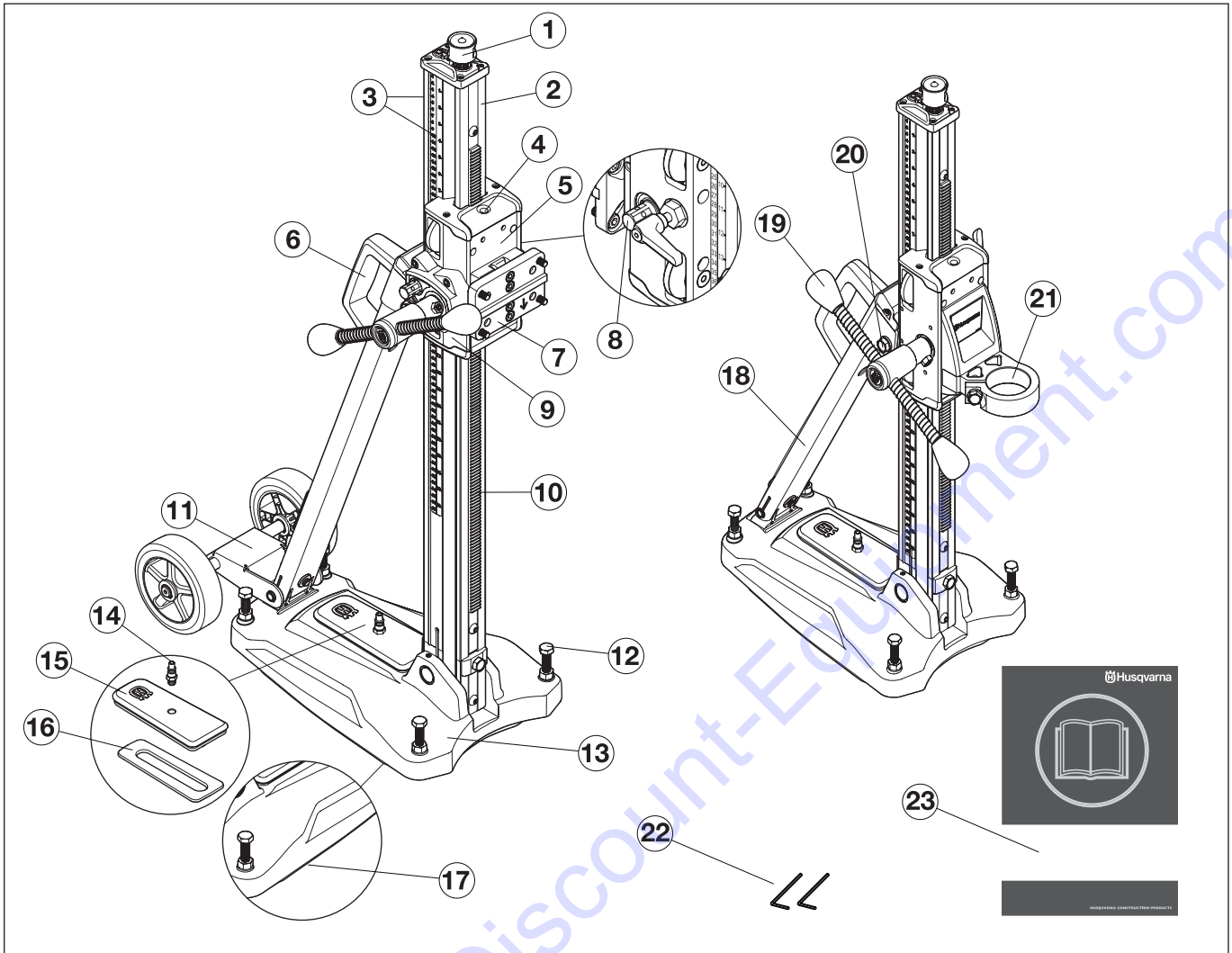
Stand maintenance .....	10
-------------------------	----

### TECHNICAL DATA

EC-declaration of conformity .....	11
------------------------------------	----

To order go to [Discount-Equipment.com](http://Discount-Equipment.com)

# WHAT IS WHAT?



## What is what on the stand?

- |   |   |
|---|---|
| 1 Jacking screw                           | 13 Base plate with integrated vacuum function |
| 2 Drill column                            | 14 Quick coupling for vacuum pressure         |
| 3 Depth and tilt scale                    | 15 Vacuum cover                               |
| 4 Vertical and horizontal level indicator | 16 Gasket, vacuum cover                       |
| 5 Feeder housing                          | 17 Gasket, base vacuum suction                |
| 6 Carrying handle                         | 18 Back support                               |
| 7 Quick mounting                          | 19 Feed lever                                 |
| 8 Feeder housing lock                     | 20 Locking screw, column tilt                 |
| 9 Gear box                                | 21 Drill motor support (with eye)             |
| 10 Rack                                   | 22 Allen key (3 mm, 4 mm)                     |
| 11 Wheel set (removable)                  | 23 Operator's manual                          |
| 12 Leveling adjustment screws             |   |

# SAFETY INSTRUCTIONS

## Steps before using a new stand

- Please read the operator's manual carefully and make sure you understand the instructions before using the machine.
- This machine is designed for and intended for drilling concrete, brick and different stone materials. All other use is improper.
- The machine is intended for use in industrial applications by experienced operators.
- Keep the workplace tidy. Disorder leads to accident risks.
- Also read the operating manual enclosed with the drill motor and check that its performance is compatible with the stand.

## Always use common sense

It is not possible to cover every conceivable situation you can face. Always exercise care and use your common sense. Avoid all situations which you consider to be beyond your capability. If you still feel uncertain about operating procedures after reading these instructions, you should consult an expert before continuing.

Do not hesitate to contact Discount-equipment if you have any more questions about the use of the machine. We will willingly be of service and provide you with advice as well as help you to use your machine both efficiently and safely .

Let Discount-equipment regularly check the machine and make essential adjustments and repairs.

All information and all data in the Operator's Manual were applicable at the time the Operator's Manual was sent to print.



**WARNING! Under no circumstances should you modify the original design of the machine without approval from the manufacturer. Always use original spare parts. Unauthorised modifications and/or accessories may lead to serious injury or death to the user or others.**

## Personal protective equipment

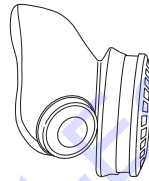


**WARNING! You must use approved personal protective equipment whenever you use the machine. Personal protective equipment cannot eliminate the risk of injury but it will reduce the degree of injury if an accident does happen. Ask your dealer for help in choosing the right equipment.**

- Protective helmet
- Hearing protection
- Protective goggles or a visor



- Breathing mask



- Heavy-duty, firm grip gloves.



- Tight-fitting, heavy-duty and comfortable clothing that permits full freedom of movement.



- Boots with steel toe-caps and non-slip sole.



- Always have a first aid kit nearby.



# SAFETY INSTRUCTIONS

## General safety precautions



**WARNING! Read all safety warnings and all instructions. Failure to follow the warnings and instructions may result in electric shock, fire and/or serious injury.**

### Work area safety

- Keep work area clean and well lit. Cluttered or dark areas invite accidents.
- People and animals can distract you causing you to lose control of the machine. For this reason, always remain concentrated and focused on the task.
- Do not use the machine in bad weather, such as dense fog, heavy rain, strong wind, intense cold, etc. Working in bad weather is tiring and can lead to dangerous conditions, e.g. slippery surfaces.
- Never start to work with the machine before the working area is clear and you have a firm foothold. Look out for any obstacles with unexpected movement. Ensure that no material can become loose and fall, causing injury when operating the machine.
- Always check the rear side of the surface where the drill bit will emerge when drilling right through. Secure and cordon off the area and make sure that no one can be injured or material damaged.

### Personal safety



**WARNING! There is always a risk of crush injuries when working with products containing moving parts. Wear protective gloves to avoid body injuries.**

- Wear personal protective equipment. See instructions under the heading Personal protective equipment.
- Never use the machine if you are tired, if you have drunk alcohol, or if you are taking medication that could affect your vision, your judgement or your co-ordination.
- Never allow anyone else to use the machine without first ensuring that they have understood the contents of the operator's manual.
- Be careful as clothing, long hair, and jewellery can get caught in moving parts.
- Never work alone, always ensure there is another person close at hand. Apart from being able to receive help to assemble the machine, you can also get help if an accident should occur.

## Use and care

- Never use a machine that is faulty. Carry out the checks, maintenance and service instructions described in this manual. Some maintenance and service measures must be carried out by trained and qualified specialists. See instructions under the heading Maintenance.
- Never use a machine that has been modified in any way from its original specification.
- Keep all parts in good working order and ensure that all fixtures are properly tightened.

## Transport and storage

- Store the equipment in a lockable area so that it is out of reach of children and unauthorised persons.
- Store the drilling machine and stand in dry and frost free conditions.

# PRESENTATION

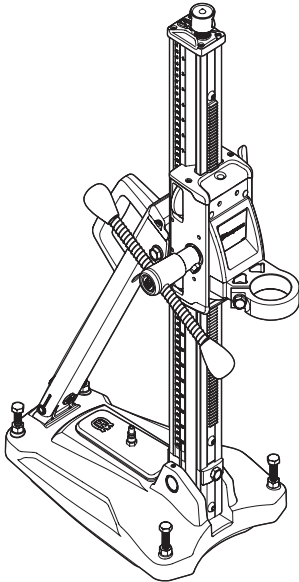
## Stand DS 150 and DS 250

It is our wish that you will be satisfied with your product and that it will be your companion for a long time. Think of this operator's manual as a valuable document. By following its' content (using, service, maintenance etc) the life span and the second-hand value of the machine can be extended. If you will sell this machine, make sure that the buyer will get the operator's manual.

A purchase of one of our products gives you access to professional help with repairs and services. If the retailer who sells your machine is not one of our authorised dealers, ask him for the address of your nearest service workshop.

Husqvarna Construction Products has a policy of continuous product development. Husqvarna reserves the right to modify the design and appearance of products without prior notice and without further obligation introduce design modifications.

### DS 150

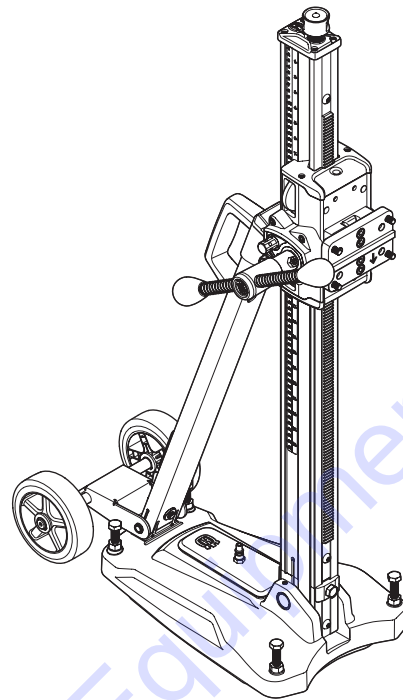


- The stand is for drilling in roofs, walls and floors.
- The base plate is made of aluminium and is therefore very light weight. It has a integrated vacuum plate.
- The column can be tilted 0-60°.
- The stand is fitted with a drill motor support.
- Feed lever can be used to loosen/tighten drill motor clamping, to adjust base plate leveling screws and set desired column tilt.

#### Accessories

- Gear box
- Wheel set (removable)
- VP 200 Vacuum pump

### DS 250



- The stand is for drilling in roofs, walls and floors.
- The base plate is made of aluminium and is therefore very light weight. It has a integrated vacuum plate.
- The column can be tilted 0-60°.
- The drill stand is equipped with a quick connection plate for the drillmotor.
- The wheel kit is dismountable.
- The feeder housing's transmission is adjustable. The higher gives 2.25:1 and the lower, 1:1.
- Feed lever can be used to adjust base plate leveling screws and set desired column tilt.

#### Accessories

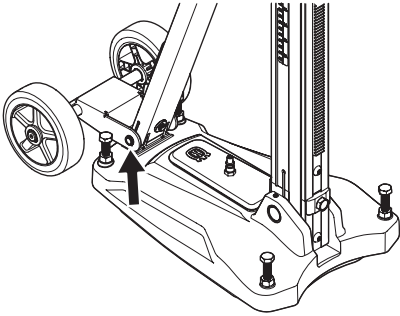
- VP 200 Vacuum pump



# ASSEMBLY

## Fit the wheel kit

- Fit the wheel set in the mount on the backside of the bottom plate and tighten the screws.



## Secure the stand

There are three methods for fixing the stand.

- Securing with vacuum plate
- Fixing with expander or anchor
- Fixing with threaded rod, washer and lock nut

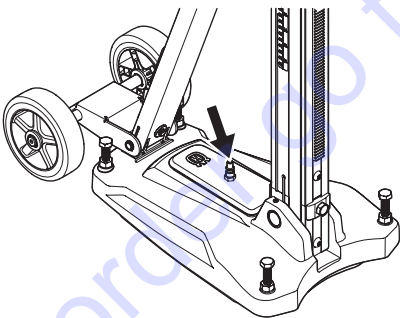
## Securing with vacuum plate



**WARNING!** The vacuum plate must never be used for ceiling or wall drilling. Careless or incorrect use can result in serious, even fatal injury.

If the vacuum plate is used, make sure the support surface is not porous and can loosen from the floor or the wall. Make sure that the vacuum pump has sufficient power to secure the vacuum plate.

- Connect the vacuum pump to the quick coupling for vacuum pressure on the base plate.



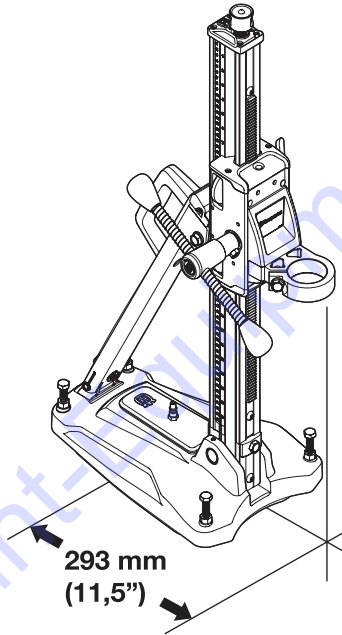
- Place the bottom plate in the desired position.
- Switch on the vacuum pump. A minimum pressure of 635 mm Hg (25 inch Hg) must be reached so that the base plate seals tightly against the surface.

## Fixing with expander or anchor

**IMPORTANT!** When drilling roofs, only expander or anchor suitable for surfaces exposed to tensile forces should be used.

Use only expander or anchor which is approved for current application.

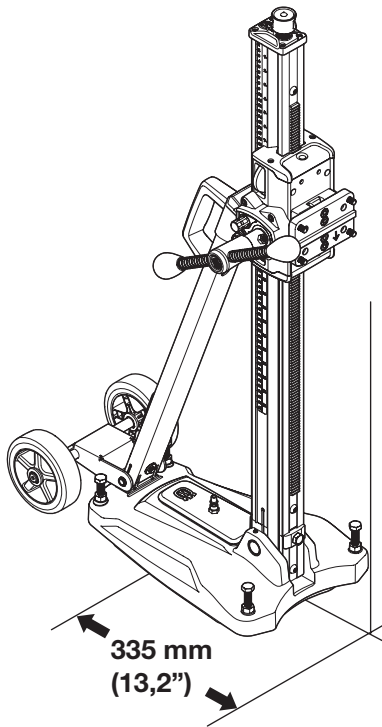
### DS 150



- Drill a hole for the expander/anchor at a distance of 293 mm (11.5") from the center of the hole.
- Bolt down the base plate. Check carefully that the expander is secured correctly.
- The bottom plate can be adjusted to the surface by using the leveling adjustment screws. Use the feed lever.

# ASSEMBLY

## DS 250



- Drill a hole for the expander/anchor at a distance of 335 mm (13.2") from the centre of the hole.
- Bolt down the base plate. Check carefully that the expander is secured correctly.
- The bottom plate can be adjusted to the surface by using the leveling adjustment screws. Use the feed lever.

### Fixing with threaded rod, washer and lock nut

If the mounting surface is inadequate for drilling in roofs or walls, the base plate can be fixed using a threaded rod, which is mounted on the backside with a washer and lock nut.

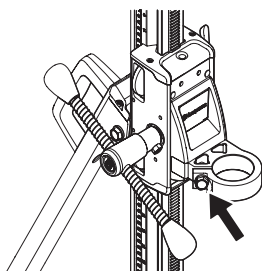
### Assembly of drill motor

**IMPORTANT!** Always pull out the plug from the outlet socket before cleaning, maintenance or assembly.

- Always remove the drill bit before the motor is mounted or dismantled.
- Lock the feed housing lock.

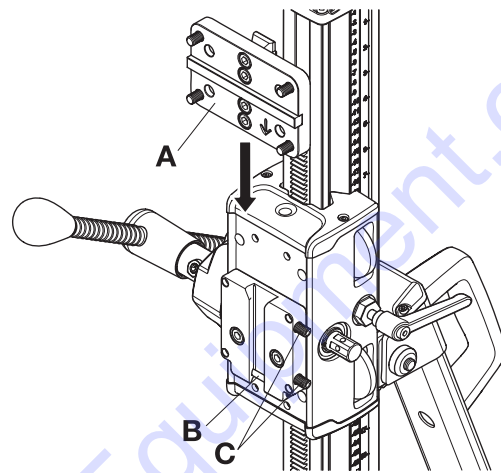
## DS 150

- Fasten the drill spindle on the drill motor support. Use the feed lever.

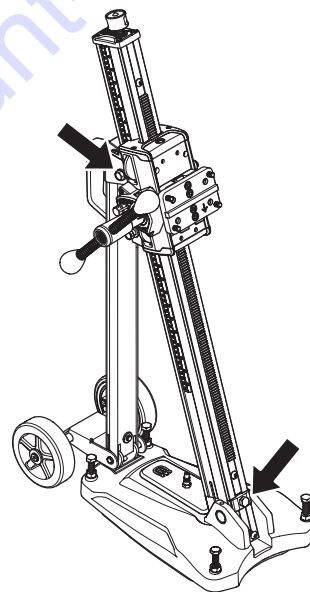


## DS 250

- Fit the drill motor on the quick mount (A).
- Mount the quick mounting and drilling machine in the track on the locking clamp. Make sure that the quick-mount is pushed all the way to the bottom (B) of the rail on the locking clip.
- Secure with the locking screws (C).



### Adjust the column tilt



Loosen the locking screws for column tilt and set the desired drill angle. Tighten the locking screws. Use the feed lever. The column can be tilted 0-60°.

The angle indicator can be used for approximate adjustment. If higher precision is required, alternative measuring methods should be used.

### Drilling in the ceiling



**WARNING!** Use a water collector to avoid water penetrating into the machine. The machine must be covered with plastic or the like in order to prevent water penetrating into the machine, but do not cover the air intakes and air outlets.

# MAINTENANCE

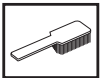
## Stand maintenance



**WARNING! Inspection and/or maintenance should be carried out with the motor switched off and the plug disconnected.**

The lifetime of your machine can be extended considerably if it is used, cared for and maintained in the proper manner.

## Cleaning and lubrication



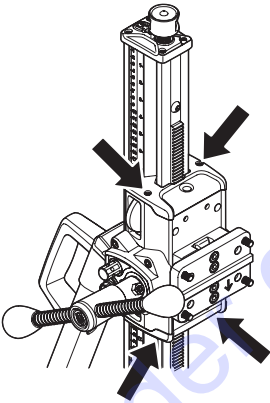
**IMPORTANT! Remove the drill motor.**

- It is important that the drill stand is kept clean for functionality to be maintained.
- Clean the stand using a high pressure washer and then wipe dry.
- Lubricate the moving parts on the stand. Apply grease to counteract corrosion on the contact surfaces.

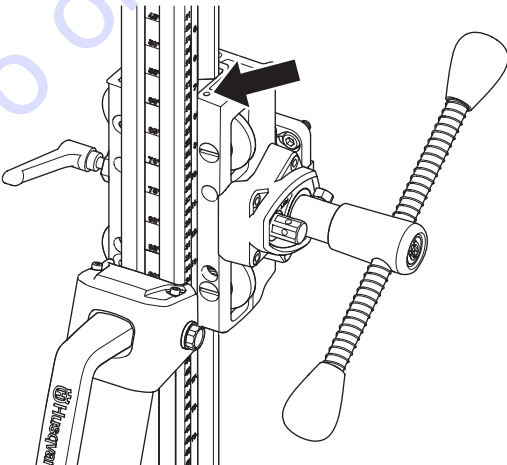
## Adjusting the feed housing

If there is play between the column and the feed housing, the play must be adjusted.

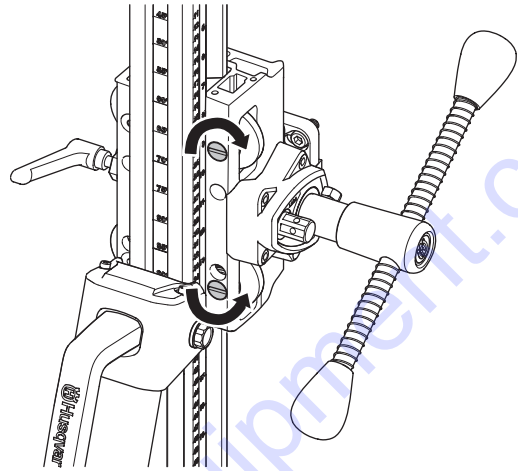
- Remove top and bottom plastic carriage covers.



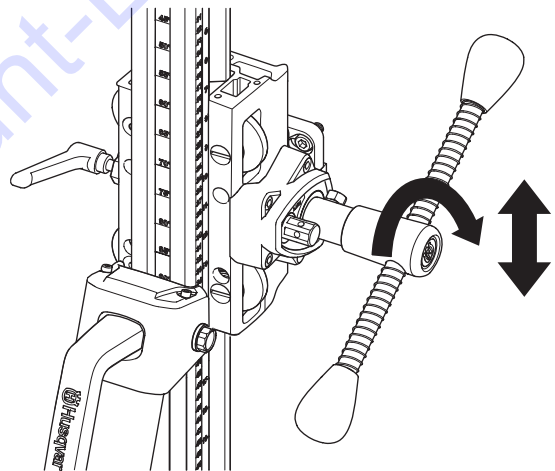
- Loosen set screws holding guide roller shafts.



- Start with the top guide roller. Use a flat screwdriver and turn clockwise to guide the roller closer to the column.
- Tighten set screw to lock the guide roller shaft.
- Adjust the lower roller by screwing anti-clockwise to guide the roller nearer to the column.



- Tighten set screw to lock the guide roller shaft.
- Use the feed lever to see if the feed housing moves smoothly on the column. If not, adjust the rollers again.



- Fit the top and bottom plastic carriage covers.

## Repairs

**IMPORTANT! All types of repairs may only be carried out by authorised repairmen. This is so that the operators are not exposed to great risks.**

## Daily maintenance

- 1 Check that nuts and screws are tight.
- 2 Clean the outside of the machine.
- 3 Check that the feed crank can be moved without resistance.
- 4 Check that the gearing moves easily and does not cause any noise.
- 5 Check for any wear or damage on the column.
- 6 Check that the feed housing can be moved easily and does not backlash against the stand column.

---

## TECHNICAL DATA

---

	DS 150	DS 250
<b>Dimensions</b>		
Height, mm/inches	862/33,9	1052/41,4
Width, mm/inches	266/10,5	266/10,5
Depth, mm/inches	522/20,6	545/21,5
Weight, kg/lbs	14/30,9	14,5/32
Travel length, mm/inch	495/19,5	686/27
Max. drill diameter, mm/inches	150/6	250/10
The column's angling	0-60°	0-60°

To order go to [Discount-Equipment.com](http://Discount-Equipment.com)

# ACLARACIÓN DE LOS SÍMBOLOS

## Símbolos en la máquina:

¡ATENCIÓN! La máquina, si se utiliza de forma errónea o descuidada, puede ser una herramienta peligrosa que puede causar daños graves e incluso la muerte al usuario y a otras personas.



Lea detenidamente el manual de instrucciones y asegúrese de entender su contenido antes de utilizar la máquina.



Utilice siempre:

- Casco protector homologado
- Protectores auriculares homologados
- Gafas protectoras o visor
- Máscara respiratoria



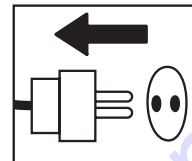
Al perforar en techo, comprobar que no puede entrar agua en la máquina. Utilizar un colector de agua adecuado y cubrir la máquina con un plástico, pero sin tapar las bocas de entrada y salida de aire.



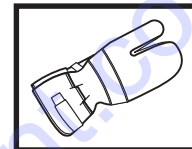
Los demás símbolos/etiquetas que aparecen en la máquina corresponden a requisitos de homologación específicos en determinados mercados.

## Símbolos en el manual de instrucciones:

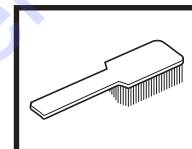
El control y/o mantenimiento de la máquina debe hacerse con el motor parado y el enchufe desenchufado.



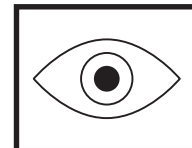
Utilice siempre guantes protectores homologados.



La máquina debe limpiarse regularmente.



Control visual.



Debe utilizarse gafas protectoras o visor.



---

# ÍNDICE

---

## Índice

### ACLARACIÓN DE LOS SÍMBOLOS

Símbolos en la máquina: ..... 12

Símbolos en el manual de instrucciones: ..... 12

### ÍNDICE

Índice ..... 13

### ¿QUÉ ES QUÉ?

Componentes del soporte ..... 14

### INSTRUCCIONES DE SEGURIDAD

Pasos previos al uso de un soporte nuevo ..... 15

Equipo de protección personal ..... 15

Instrucciones generales de seguridad ..... 16

### PRESENTACIÓN

Soportes DS 150 y DS 250 ..... 17

### MONTAJE

Instalación del conjunto del eje con ruedas ..... 18

Sujeción de la base ..... 18

Montaje del motor de la perforadora ..... 19

Ajuste de la inclinación de la columna ..... 19

Perforación en techos ..... 19

### MANTENIMIENTO

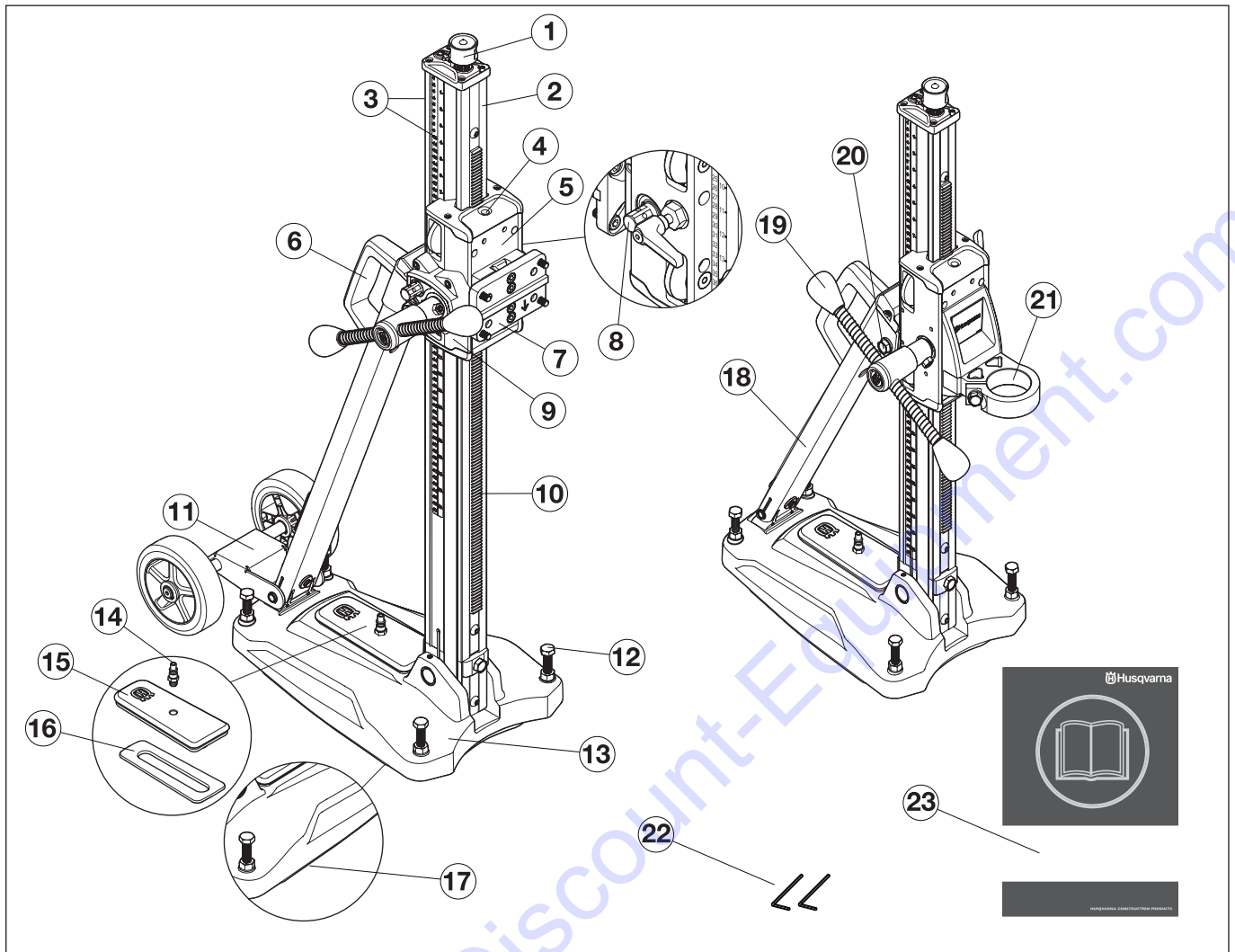
Mantenimiento del soporte ..... 20

### DATOS TÉCNICOS

Declaración CE de conformidad ..... 21

To order go to [Discount-Equipment.com](http://Discount-Equipment.com)

# ¿QUÉ ES QUÉ?



## Componentes del soporte

- 1 Tornillo de compresión
- 2 Columna de perforación
- 3 Profundidad y escala de inclinación
- 4 Indicador de nivel vertical y horizontal
- 5 Caja de alimentación
- 6 Mango de transporte
- 7 Montaje rápido
- 8 Bloqueo de la caja de alimentación
- 9 Caja de engranajes
- 10 Cremallera
- 11 Conjunto de eje con ruedas (extraíble)
- 12 Tornillos de ajuste
- 13 Placa base con función de vacío integrada
- 14 Acoplamiento rápido para presión de vacío
- 15 Cubierta de vacío
- 16 Junta, cubierta de vacío
- 17 Junta, succión de vacío
- 18 Soporte en ángulo
- 19 Palanca de alimentación
- 20 Tornillo de fijación, columna de perforación inclinada
- 21 Soporte para el motor del taladro (con orificio)
- 22 Llave Allen (3 mm, 4 mm)
- 23 Manual de instrucciones

# INSTRUCCIONES DE SEGURIDAD

## Pasos previos al uso de un soporte nuevo

- Lea detenidamente el manual de instrucciones y asegúrese de entender su contenido antes de utilizar la máquina.
- Esta máquina está diseñada para y destinada a la perforación de hormigón, ladrillo y diferentes materiales pedregosos. Cualquier otra aplicación es errónea.
- La máquina está destinada al uso por operadores experimentados, en aplicaciones industriales.
- Mantener bien ordenado el lugar de trabajo. El desorden comporta riesgo de accidentes.
- Lea también el manual de instrucciones entregado junto con el motor de la perforadora y verifique que es compatible con este soporte.

## Emplee siempre el sentido común

Es imposible abarcar todas las situaciones en las que puede encontrarse. Utilice siempre el equipo con cuidado y sentido común. Evite todas aquellas situaciones que considere que sobrepasan sus capacidades. Si, después de leer estas instrucciones, no está seguro del procedimiento que debe seguir, consulte a un experto antes de utilizar el equipo.

No dude en ponerse en contacto con su distribuidor si tiene preguntas acerca del uso de la máquina. Estaremos encantados de poder aconsejarle y ayudarle a utilizar la máquina de manera eficaz y segura.

Diríjase a su distribuidor de Husqvarna para que revise la máquina regularmente y para que realice ajustes y reparaciones básicas.

Toda la información y todos los datos contenidos en este manual de instrucciones son vigentes en la fecha de impresión del manual.



**¡ATENCIÓN! No está permitido modificar el diseño original de la máquina, por ningún motivo, sin la autorización del fabricante. Utilice siempre accesorios originales. Las modificaciones y/o el uso de accesorios no autorizados comportan riesgo de daños personales graves y peligro de muerte para el usuario y otras personas.**

## Equipo de protección personal

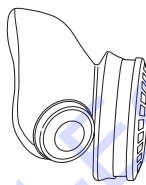


**¡ATENCIÓN! Para trabajar con la máquina debe utilizarse un equipo de protección personal homologado. El equipo de protección personal no elimina el riesgo de lesiones, pero reduce su efecto en caso de accidente. Pida a su distribuidor que le asesore en la elección del equipo.**

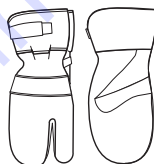
- Casco protector
- Protectores auriculares
- Gafas protectoras o visor



- Máscara respiratoria



- Guantes resistentes de agarre seguro.



- Prendas de vestir ceñidas, resistentes y cómodas que permitan una libertad de movimientos total.



- Botas con puntera de acero y suela antideslizante.



- Tenga siempre a mano el equipo de primeros auxilios.





# INSTRUCCIONES DE SEGURIDAD

## Instrucciones generales de seguridad



**¡ATENCIÓN! Lea todas las advertencias e instrucciones de seguridad. No atender a estas advertencias e instrucciones puede provocar descargas eléctricas, incendios y lesiones graves.**

### Seguridad en el área de trabajo

- Mantenga el área de trabajo limpia y bien iluminada. Las zonas abarrotadas de cosas u oscuras favorecen los accidentes.
- Las personas y los animales pueden distraer y hacer perder el control de la máquina. Por consiguiente, el operador debe estar siempre concentrado en su trabajo.
- No trabaje en condiciones atmosféricas desfavorables como niebla, lluvia intensa, tempestad, frío intenso, etc. Trabajar con mal tiempo es cansador y puede crear condiciones peligrosas, por ejemplo suelo resbaladizo.
- Antes de comenzar a trabajar con la máquina, controle siempre que el lugar esté libre y que los pies estén bien afirmados al terreno. Controle posibles obstáculos en caso de movimientos repentinos. Asegúrese de que no haya elementos que puedan caer y provocar daños al trabajar con la máquina.
- Controlar siempre la parte posterior de la superficie en la que sale la broca al penetrar. Impedir el acceso cercando la zona de trabajo y procurar que no haya riesgo de daños personales o materiales.

### Seguridad personal



**¡ATENCIÓN! Existe siempre riesgo de accidentes por apriete al trabajar con aparatos con piezas móviles. Usar guantes protectores para evitar lesiones.**

- Utilice el equipo de protección personal. Vea las instrucciones bajo el título Equipo de protección personal.
- Nunca utilice la máquina si está cansado, si ha ingerido alcohol o si toma medicamentos que puedan afectarle la vista, su capacidad de discernimiento o el control del cuerpo.
- Nunca deje que terceros utilicen la máquina sin asegurarse primero de que hayan entendido el contenido de este manual de instrucciones.
- Tener en cuenta que las ropas, el pelo largo y las joyas pueden atascarse en piezas móviles.
- Un operador nunca debe trabajar solo; siempre debe haber otra(s) persona(s) cerca. Así, además de tener ayuda para montar la máquina, también puede recibirse asistencia en caso de accidente.

### Uso y cuidado

- No utilice nunca una máquina defectuosa. Siga las instrucciones de mantenimiento, control y servicio de este manual. Algunas medidas de mantenimiento y servicio deben ser efectuadas por especialistas formados y cualificados. Vea las instrucciones bajo el título Mantenimiento.
- No utilice nunca una máquina que haya sido modificada de modo que ya no coincida con la configuración original.
- Mantener todas las piezas en perfecto estado y comprobar que todos los elementos de fijación estén bien apretados.

### Transporte y almacenamiento

- Guarde el equipo en un lugar seguro fuera del alcance de los niños y las personas no autorizadas.
- Guardar la taladradora y el soporte en un lugar seco y con temperatura sobre cero.

# PRESENTACIÓN

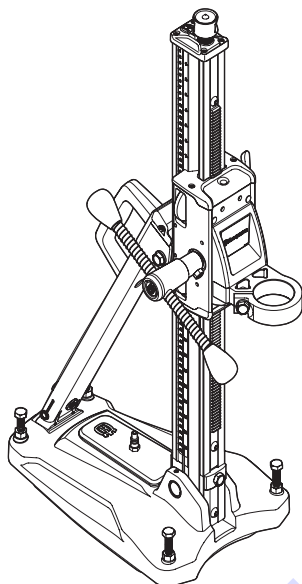
## Soportes DS 150 y DS 250

Esperamos que su máquina le proporcione plena satisfacción y le sirva de ayuda por mucho tiempo en adelante. Tenga en cuenta que este manual de instrucciones es un documento de valor. Siguiendo sus instrucciones (de uso, servicio, mantenimiento, etcétera) puede alargar considerablemente la vida útil de la máquina e incrementar su valor de reventa. Si vende su máquina, entregue el manual de instrucciones al nuevo propietario.

La adquisición de alguno de nuestros productos da acceso a asistencia profesional con reparaciones y servicio. Si la máquina no fue adquirida en un distribuidor oficial, preguntar en la tienda de compra la dirección del taller de servicio más cercano.

Husqvarna Construction Products se esfuerza constantemente por mejorar la construcción de sus productos. Por consiguiente, Husqvarna se reserva el derecho a introducir modificaciones de diseño sin previo aviso y sin compromisos ulteriores.

### DS 150

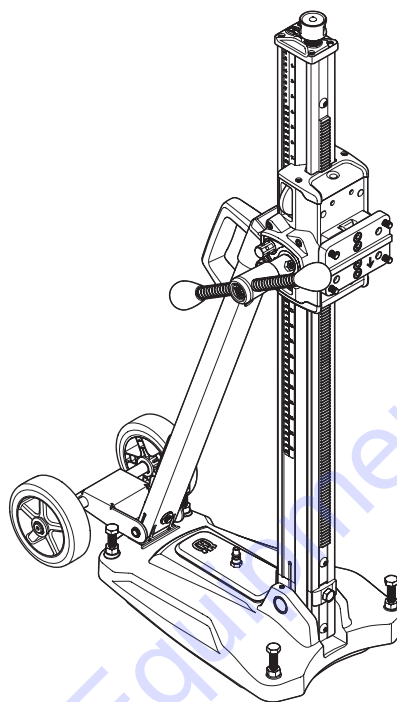


- La base sirve para utilizar el taladro en techados, paredes y suelos.
- La placa base es de aluminio y, por tanto, muy ligera. Tiene integrada una placa de vacío.
- La columna puede inclinarse 0-60°.
- La base cuenta con un soporte para el motor del taladro.
- La palanca de alimentación puede utilizarse para aflojar / apretar la sujeción del motor del taladro, ajustar los tornillos reguladores de la placa de apoyo y fijar la inclinación deseada de la columna.

#### Accesorios

- Caja de engranajes
- Conjunto de eje con ruedas (extraíble)
- Bomba de vacío VP 200

### DS 250



- La base sirve para utilizar el taladro en techados, paredes y suelos.
- La placa base es de aluminio y, por tanto, muy ligera. Tiene integrada una placa de vacío.
- La columna puede inclinarse 0-60°.
- La base del taladro está equipada con una placa de conexión rápida para el motor del taladro.
- El conjunto del eje con ruedas puede desmontarse.
- La transmisión de la caja de alimentación puede ajustarse. El valor máximo es 2,25:1 y el mínimo 1:1.
- La palanca de alimentación puede utilizarse para ajustar los tornillos reguladores de la placa de apoyo y fijar la inclinación deseada de la columna.

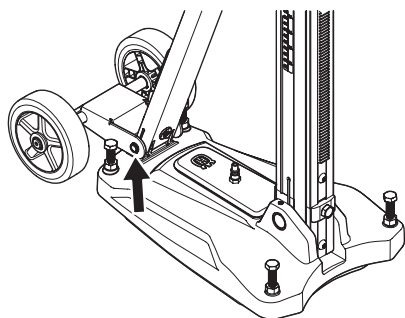
#### Accesorios

- Bomba de vacío VP 200

# MONTAJE

## Instalación del conjunto del eje con ruedas

- Instale en conjunto del eje con ruedas en la parte posterior de la placa inferior y apriete los tornillos.



## Sujeción de la base

Hay tres maneras de sujetar la base:

- Sujetarla con la placa de vacío
- Sujetarla con un extensor o un anclaje
- Sujetarla con una varilla roscada, una arandela y una tuerca de seguridad

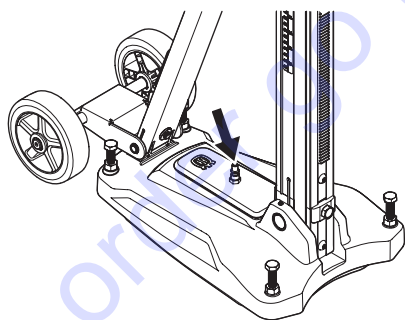
## Sujetarla con la placa de vacío



**¡ATENCIÓN!** La placa de vacío no se debe utilizar para taladrar techos o paredes. El uso incorrecto o negligente puede ocasionar daños graves, e incluso mortales.

Si se utiliza la placa de vacío, comprobar que la base no sea porosa y pueda soltarse del suelo o la pared. Comprobar que la bomba de vacío tiene capacidad para fijar por aspiración la placa de vacío.

- Conecte la bomba de vacío al acoplamiento rápido para la presión de vacío en la placa base.



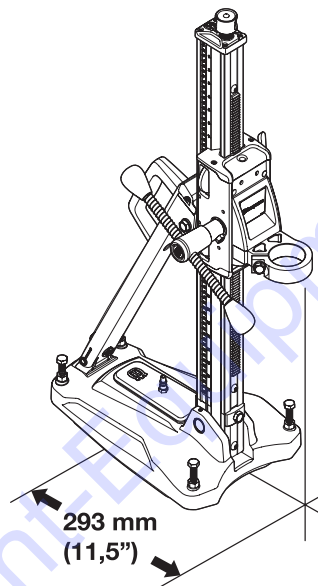
- Coloque la placa inferior en la posición deseada.
- Encienda la bomba de vacío. Deberá alcanzarse una presión mínima de 635 mm Hg (25 in Hg) para sellar adecuadamente la placa base sobre la superficie.

## Sujetarla con un extensor o un anclaje

**¡IMPORTANTE!** Cuando se trabaje con el taladro en un tejado, debe utilizarse únicamente un extensor o anclaje adecuados para superficies expuestas a la fuerza tensil.

Utilice únicamente un extensor o anclaje adecuado para la aplicación actual.

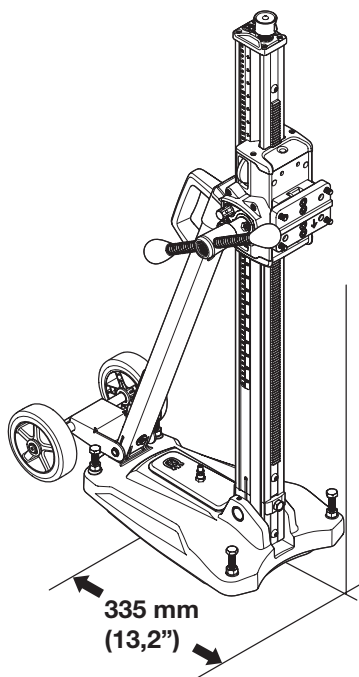
## DS 150



- Realice un orificio para el extensor / anclaje a una distancia de 293 mm (11,5 in) del centro del orificio.
- Fijar la placa base. Comprobar cuidadosamente que el expansor está bien fijado.
- La placa inferior puede ajustarse a la superficie mediante los tornillos de ajuste. Utilice la palanca de alimentación.

# MONTAJE

## DS 250



- Taladre un orificio para el extensor / anclaje a una distancia de 335 mm (13,2 in) del centro del orificio.
- Fijar la placa base. Comprobar cuidadosamente que el expansor está bien fijado.
- La placa inferior puede ajustarse a la superficie mediante los tornillos de ajuste. Utilice la palanca de alimentación.

### Sujetarla con una varilla roscada, una arandela y una tuerca de seguridad

Si la superficie de montaje no es adecuada para utilizar el taladro en tejados o paredes, la placa base puede sujetarse mediante una varilla roscada, que se montará en la parte posterior con una arandela y una tuerca de seguridad.

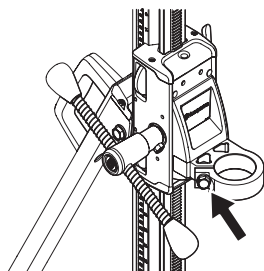
### Montaje del motor de la perforadora

**¡IMPORTANTE!** Desenchufe siempre el enchufe antes de efectuar trabajos de limpieza, mantenimiento o montaje de la máquina.

- Retire siempre la broca antes de montar o desmontar el motor.
- Cierre el bloqueo de la caja de alimentación.

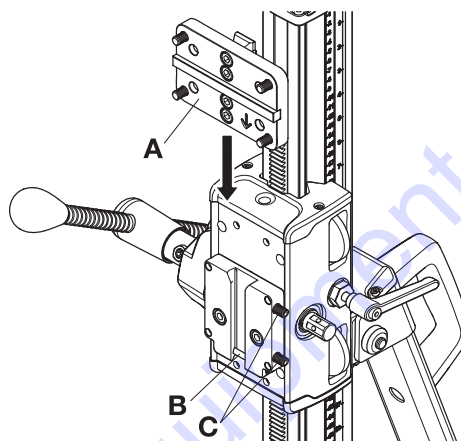
## DS 150

- Ajuste el husillo del taladro en el soporte para el motor del taladro. Utilice la palanca de alimentación.

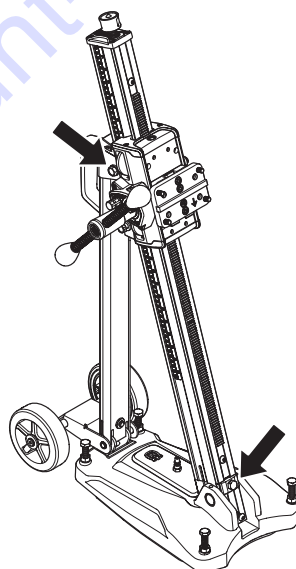


## DS 250

- Instale el motor del taladro en el soporte rápido (A).
- Monte el montaje rápido y la perforadora en el surco de la abrazadera de fijación. Asegúrese de presionar el soporte rápido hasta la parte inferior (B) del rail en el enganche de cierre.
- Sujételo con los tornillos de seguridad (C).



### Ajuste de la inclinación de la columna



Aflove los tornillos de seguridad de la inclinación de la columna y ajuste como desee el ángulo de inclinación del taladro. Apriete los tornillos de seguridad. Utilice la palanca de alimentación. La columna puede inclinarse 0-60°.

El indicador de ángulo permite un ajuste aproximado. Si necesita una mayor precisión, deberá utilizar métodos de medición alternativos.

### Perforación en techos



**¡ATENCIÓN!** Utilizar un colector de agua para impedir que entre agua en la máquina. La máquina debe cubrirse con un plástico o similar para impedir que entre agua en ella, pero no deben taparse las bocas de entrada y salida de aire.

# MANTENIMIENTO

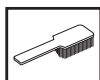
## Mantenimiento del soporte



**¡ATENCIÓN! El control y/o mantenimiento de la máquina debe hacerse con el motor parado y el enchufe desenchufado.**

La vida útil de la máquina se alarga considerablemente si se utiliza, cuida y mantiene correctamente.

## Limpieza y lubricación



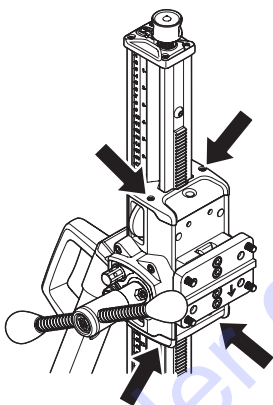
**¡IMPORTANTE! Desmontar el motor de taladradora.**

- Para obtener un funcionamiento óptimo es muy importante mantener el soporte limpio y en orden.
- Se recomienda limpiar el soporte con lavado a alta presión y secarlo.
- Aceitar todas las piezas móviles del soporte. Usar grasa para prevenir la corrosión de las superficies de contacto.

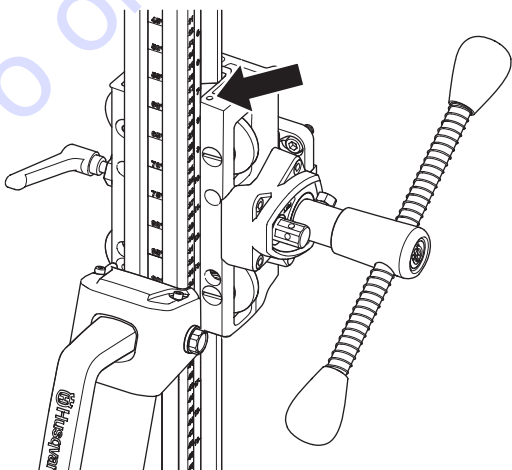
## Ajuste de la caja de alimentación

Si queda un espacio entre la columna y la caja de alimentación, deberá ajustar la caja.

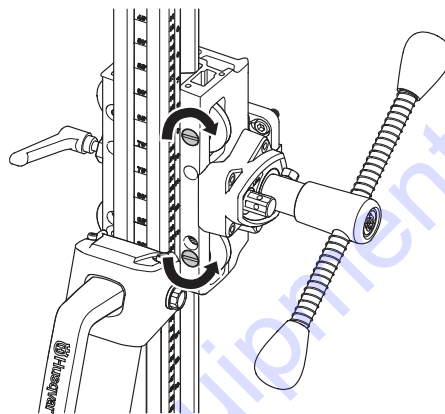
- Retire las cubiertas de transporte superior e inferior de plástico.



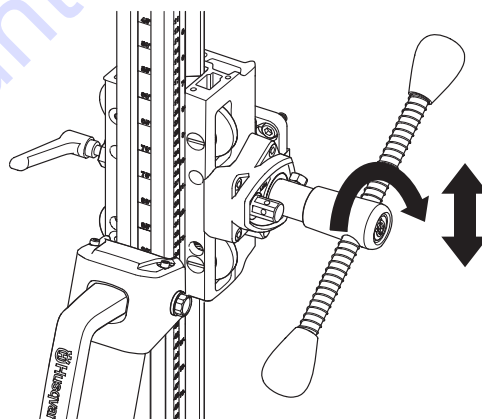
- Afloje los tornillos de ajuste que sujetan los ejes del rodillo guía.



- Comience por el rodillo guía superior. Utilice un destornillador de cabeza plana y gírelo en el sentido de las agujas del reloj para que el rodillo se aproxime a la columna.
- Apriete el tornillo de ajuste que bloquea el rodillo guía.
- Ajuste el rodillo inferior girando el destornillador en sentido contrario al de las agujas del reloj para que el rodillo se aproxime a la columna.



- Apriete el tornillo de ajuste que bloquea el rodillo guía.
- Utilice la palanca de la caja de alimentación para comprobar si esta se mueve suavemente por la columna. Si no es así, vuelva a ajustar los rodillos.



- Coloque las cubiertas de transporte superior e inferior de plástico.

## Reparaciones

**¡IMPORTANTE! Las reparaciones de todo tipo deben ser efectuadas por técnicos autorizados, únicamente. De este modo se evita someter a los operadores a grandes riesgos.**

## Mantenimiento diario

- 1 Compruebe que los tornillos y las tuercas estén apretados.
- 2 Limpie la parte exterior de la máquina.
- 3 Compruebe que el cigüeñal de la caja de alimentación se mueve sin ofrecer resistencia.
- 4 Compruebe que los engranajes se mueven fácilmente y sin hacer ruido.
- 5 Compruebe que la columna no está dañada ni gastada.
- 6 Compruebe que la caja de alimentación se mueve fácilmente y no rebota en la columna de la base.

---

## DATOS TECNICOS

---

	DS 150	DS 250
<b>Dimensiones</b>		
Altura, mm/pulgadas	862/33,9	1052/41,4
Anchura, mm/pulgadas	266/10,5	266/10,5
Profundidad, mm / in	522/20,6	545/21,5
Peso, kg/lb	14/30,9	14,5/32
Carrera, mm/pulgadas	495/19,5	686/27
Diámetro máximo de perforación, mm/pulgadas	150/6	250/10
Inclinación de la columna	0-60°	0-60°

To order go to [Discount-Equipment.com](http://Discount-Equipment.com)

# SYMBOLERKLÄRUNG

## Symbole am Gerät:

WARNUNG! Das Gerät kann falsch oder nachlässig angewendet gefährlich sein und zu schweren oder gar lebensgefährlichen Verletzungen des Benutzers oder anderer Personen führen.



Lesen Sie die Bedienungsanleitung sorgfältig durch und machen Sie sich mit dem Inhalt vertraut, bevor Sie das Gerät benutzen.



Benutzen Sie immer:

- Einen zugelassenen Schutzhelm
- Einen zugelassenen Gehörschutz
- Schutzbrille oder Visier
- Atemschutzmaske



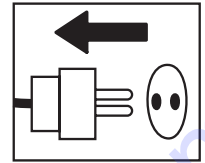
Beim Bohren in Decken sicherstellen, dass kein Wasser in die Maschine eindringen kann. Ein geeignetes Wasserauffanggefäß verwenden und die Maschine in Plastikfolie wickeln, dabei aber Luftein- und -auslass aussparen.



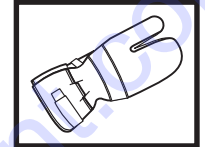
**Sonstige Symbole/Aufkleber am Gerät beziehen sich auf spezielle Zertifizierungsanforderungen, die in bestimmten Ländern gelten.**

## Symbole in der Bedienungsanleitung:

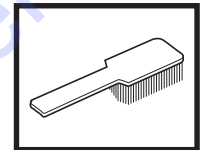
Kontrollen und/oder Wartungsarbeiten sind bei abgeschaltetem Motor und abgezogenem Stecker durchzuführen.



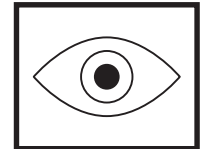
Stets zugelassene Schutzhandschuhe tragen.



Regelmäßige Reinigung ist notwendig.



Visuelle Kontrolle.



Schutzbrille oder Gesichtsschutz müssen benutzt werden.



---

# INHALT

---

## Inhalt

### SYMBOLERKLÄRUNG

Symbole am Gerät: .....	22
Symbole in der Bedienungsanweisung: .....	22

### INHALT

Inhalt .....	23
--------------	----

### WAS IST WAS?

Bestandteile des Ständers .....	24
---------------------------------	----

### SICHERHEITSVORSCHRIFTEN

Maßnahmen vor der Verwendung eines neuen Ständers .....	25
Persönliche Schutzausrüstung .....	25
Allgemeine Sicherheitsvorschriften .....	26

### VORSTELLUNG

Ständer DS 150 und DS 250 .....	27
---------------------------------	----

### MONTAGE

Einpassen des Rad-Kits .....	28
Sichern Sie den Ständer. ....	28
Montage des Bohrmotors .....	29
Passen Sie die Säulenneigung an. ....	29
Bohren in der Decke .....	29

### WARTUNG

Ständerwartung .....	30
----------------------	----

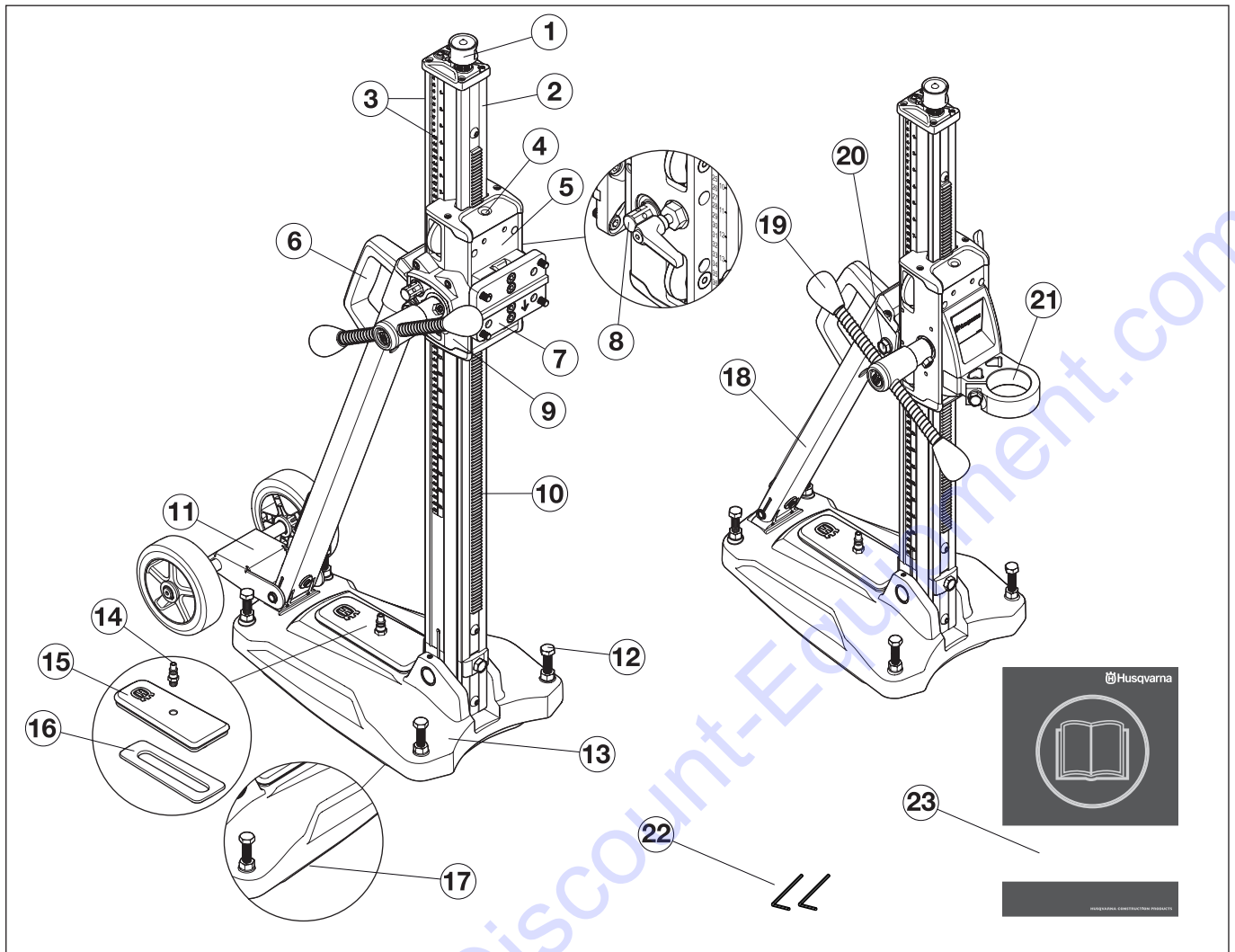
### TECHNISCHE DATEN

EG-Konformitätserklärung .....	31
--------------------------------	----

To order go to [Discount-Equipment.com](http://Discount-Equipment.com)



# WAS IST WAS?



## Bestandteile des Ständers

- |    |   |    |  |
|----|---|----|--|
| 1  | Sicherungsschraube                      | 13 | Basisplatte mit integrierter Vakuumpfunktion   |
| 2  | Bohrsäule                               | 14 | Schnellkupplung für Vakuum                     |
| 3  | Tiefen- und Neigungsskala               | 15 | Vakuumabdeckung                                |
| 4  | Vertikale und horizontale Ebenenanzeige | 16 | Dichtung, Vakuumabdeckung                      |
| 5  | Schlitten                               | 17 | Dichtung, Vakuumansaugung                      |
| 6  | Tragegriff                              | 18 | Winkelklammer                                  |
| 7  | Schnellbefestigung                      | 19 | Vorschubkurbel                                 |
| 8  | Schlittensperre                         | 20 | Befestigungsschraube, Abwinklung der Bohrsäule |
| 9  | Getriebe                                | 21 | Bohrermotorträger (mit Auge)                   |
| 10 | Rack                                    | 22 | Inbusschlüssel (3 mm, 4 mm)                    |
| 11 | Radsatz (ausbaubar)                     | 23 | Bedienungsanweisung                            |
| 12 | Stellschrauben                          |    |  |

# SICHERHEITSVORSCHRIFTEN

## Maßnahmen vor der Verwendung eines neuen Ständers

- Lesen Sie die Bedienungsanweisung sorgfältig durch und machen Sie sich mit dem Inhalt vertraut, bevor Sie das Gerät benutzen.
- Dieses Gerät ist für das Bohren in Beton, Backstein und diversen Steinmaterialien konstruiert und vorgesehen. Jegliche andere Nutzung ist unzulässig.
- Das Gerät ist für industrielle Anwendungen und die Benutzung durch erfahrene Bediener ausgelegt.
- Am Arbeitsplatz Ordnung halten. Unordnung bringt Unfallgefahren mit sich.
- Lesen Sie auch die Bedienungsanleitung des Bohrmotors und stellen Sie sicher, dass dessen technischen Daten mit dem Ständer vereinbar sind.

## Stets mit gesundem Menschenverstand arbeiten!

Es ist unmöglich, alle denkbaren Situationen abzudecken, die beim Gebrauch des Geräts auftreten könnten. Gehen Sie stets mit Vorsicht und Vernunft vor. Vermeiden Sie Situationen, für die Sie sich nicht ausreichend qualifiziert fühlen. Falls Sie sich auch nach dem Lesen dieser Anweisungen nicht über die richtige Vorgehensweise im Klaren sind, sollten Sie einen Fachmann zu Rate ziehen, bevor Sie fortfahren.

Sie können sich jederzeit an Ihren Händler wenden, wenn Sie Fragen zur Verwendung der Maschine haben. Wir beraten Sie gerne dabei, wie Sie Ihre Maschine besser und sicherer einsetzen können.

Lassen Sie die Maschine regelmäßig von Ihrem Husqvarna-Händler überprüfen und notwendige Einstellungen und Reparaturen vornehmen.

Alle Informationen und Daten dieser Bedienungsanleitung galten zum Zeitpunkt der Drucklegung.



**WARNUNG! Ohne Genehmigung des Herstellers dürfen an der Maschine unter keinen Umständen Konstruktionsänderungen vorgenommen werden. Stets Originalzubehör verwenden. Unzulässige Änderungen und/oder Zubehörteile können zu schweren Verletzungen oder tödlichen Unfällen von Anwendern oder anderen Personen führen.**

## Persönliche Schutzausrüstung

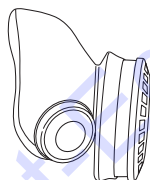


**WARNUNG! Bei der Benutzung des Gerätes muss die vorgeschriebene persönliche Schutzausrüstung angewendet werden. Die persönliche Schutzausrüstung beseitigt nicht die Unfallgefahr, begrenzt aber den Umfang der Verletzungen und Schäden. Bei der Wahl der Schutzausrüstung einen Fachhändler um Rat fragen.**

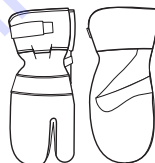
- Schutzhelm
- Gehörschutz
- Schutzbrille oder Visier



- Atemschutzmaske



- Feste, griffsichere Handschuhe.



- Eng anliegende, kräftige und bequeme Kleidung tragen, die volle Bewegungsfreiheit gewährt.



- Stiefel mit Stahlkappe und rutschfester Sohle.



- Ein Erste-Hilfe-Set soll immer griffbereit sein.



# SICHERHEITSVORSCHRIFTEN

## Allgemeine Sicherheitsvorschriften



**WARNUNG! Lesen Sie sämtliche Sicherheitshinweise und Anweisungen durch. Die Nichtbeachtung der Warnhinweise und Anweisungen kann Stromschlag, Brand und/oder schwere Verletzungen zur Folge haben.**

### Sicherheit im Arbeitsbereich

- Sorgen Sie für einen sauberen und gut ausgeleuchteten Arbeitsbereich. Durch zugestellte oder dunkle Arbeitsbereiche steigt die Unfallgefahr stark an.
- Menschen und Tiere können zu einer Ablenkung und damit zum Verlust der Kontrolle über das Gerät führen. Konzentration und Fokussierung auf die Aufgabe sind daher stets erforderlich.
- Vermeiden Sie es, das Gerät bei schlechtem Wetter zu benutzen. Z.B. bei dichtem Nebel, starkem Regen oder Wind, großer Kälte usw. Das Arbeiten bei schlechtem Wetter ist sehr ermüdend und kann gefährliche Umstände herbeiführen, z. B. Rutschgefahr.
- Beginnen Sie niemals mit der Arbeit, bevor der Arbeitsbereich frei ist und Sie einen sicheren Stand haben. Achten Sie auf eventuelle Hindernisse, die im Wege sein können, wenn Sie sich plötzlich bewegen müssen. Stellen Sie sicher, daß kein Material herunterfallen und Schäden verursachen kann.
- Stets die Rückseite der Fläche prüfen, die von der Bohrkronen durchbohrt wird. Arbeitsbereich sichern sowie absperren und sicherstellen, dass weder Menschen noch Material zu Schaden kommen.

### Persönliche Sicherheit



**WARNUNG! Bei Arbeiten an Produkten mit beweglichen Teilen herrscht stets Klemmgefahr. Schutzhandschuhe tragen, um Verletzungen zu vermeiden.**

- Tragen Sie persönliche Schutzausrüstung. Siehe die Anweisungen unter der Überschrift Persönliche Schutzausrüstung.
- Arbeiten Sie niemals mit dem Gerät, wenn Sie müde sind, Alkohol getrunken oder Medikamente eingenommen haben, da hierdurch Sehkraft, Urteilsvermögen oder Körperkontrolle beeinträchtigt werden können.
- Lassen Sie niemals jemand anderen das Gerät benutzen, ohne sich zu vergewissern, dass die Person den Inhalt der Bedienungsanleitung verstanden hat.
- Bedenken, dass Kleidung, langes Haar und Schmuck in beweglichen Teilen hängen bleiben können.
- Niemals allein arbeiten. Es muss sich stets eine weitere Person in der Nähe befinden. Diese kann Ihnen bei der Gerätemontage sowie bei etwaigen Unfällen helfen.

## Verwendung und Pflege

- Niemals mit einem defekten Gerät arbeiten. Die Wartungs-, Kontroll- und Serviceanweisungen in dieser Bedienungsanleitung sind sorgfältig zu befolgen. Gewisse Wartungs- und Servicemaßnahmen sind von geschulten, qualifizierten Fachleuten auszuführen. Siehe die Anweisungen unter der Überschrift Wartung.
- Niemals mit einem Gerät arbeiten, das ohne Zustimmung des Herstellers modifiziert wurde und nicht länger mit der Originalausführung übereinstimmt.
- Alle Teile in funktionstauglichem Zustand halten und dafür sorgen, dass alle Befestigungsteile sorgfältig festgezogen sind.

## Transport und Aufbewahrung

- Bewahren Sie das Gerät für Kinder und Unbefugte unzugänglich in einem abschließbaren Raum auf.
- Bohrmaschine und Ständer trocken und frostfrei aufbewahren.

# VORSTELLUNG

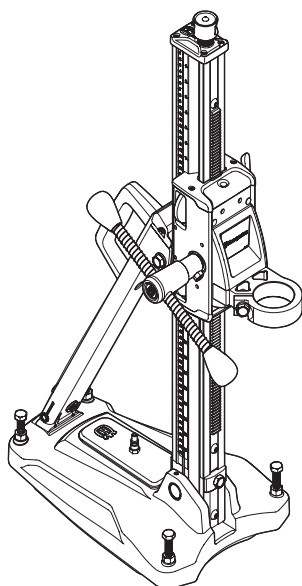
## Ständer DS 150 und DS 250

Wir hoffen, dass Sie mit Ihrer Maschine über lange Jahre zufrieden sein werden. Denken Sie daran, diese Bedienungsanleitung sicher aufzubewahren. Die genaue Befolgung ihres Inhalts (Verwendung, Service, Wartung usw.) verlängert die Lebensdauer der Maschine erheblich und erhöht zudem ihren Wiederverkaufswert. Sollten Sie Ihre Maschine verkaufen, händigen Sie dem neuen Besitzer bitte auch die Bedienungsanleitung aus.

Mit dem Erwerb unserer Produkte erhalten Sie professionelle Hilfe bei Reparaturen und Service. Haben Sie das Gerät nicht bei einem unserer Vertragshändler gekauft, fragen Sie dort nach der nächsten Servicewerkstatt.

Husqvarna Construction Products ist stets bestrebt, die Konstruktion der Produkte zu verbessern. Husqvarna behält sich daher das Recht vor, ohne vorherige Ankündigung und ohne weitere Verpflichtungen Konstruktionsänderungen einzuführen.

### DS 150

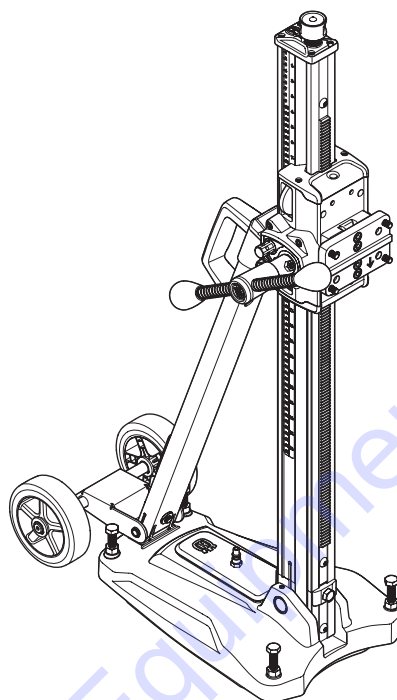


- Dieser Ständer eignet sich für das Bohren in Decken, Wänden und Böden.
- Die Basisplatte besteht aus Aluminium und ist daher sehr leicht. Sie verfügt über eine integrierte Vakuumplatte.
- Die Säule kann um 0-60 Grad geneigt werden.
- Der Ständer verfügt über einen Bohrerträger.
- Der Zuführungshebel kann zum Lösen/Anziehen der Bohrerträgerklemmschrauben, zur Justierung der Nivellierschrauben der Basisplatte und zur Anpassung der Säuleneigung verwendet werden.

#### Zusätzen

- Getriebe
- Radsatz (ausbaubar)
- Vakuumpumpe V 200

### DS 250



- Dieser Ständer eignet sich für das Bohren in Decken, Wänden und Böden.
- Die Basisplatte besteht aus Aluminium und ist daher sehr leicht. Sie verfügt über eine integrierte Vakuumplatte.
- Die Säule kann um 0-60 Grad geneigt werden.
- Der Bohrerständer verfügt über eine Schnellkupplung für den Bohrerträger.
- Das Rad-Kit ist ausbaubar.
- Das Übersetzungsverhältnis des Schlittens ist einstellbar. Die hohe Übersetzung beträgt 2,25:1, die niedrige 1:1.
- Der Zuführungshebel kann zur Justierung der Nivellierschrauben der Basisplatte und zur Anpassung der Säuleneigung verwendet werden.

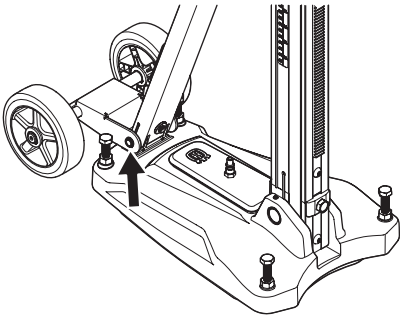
#### Zusätzen

- Vakuumpumpe V 200

# MONTAGE

## Einpassen des Rad-Kits

- Passen Sie den Radsatz in die Halterung auf der Rückseite der Grundplatte ein, und ziehen Sie die Schrauben fest.



## Sichern Sie den Ständer.

Der Ständer kann auf drei Arten befestigt werden.

- Sichern mit einer Vakuumplatte
- Befestigen mit Expander oder Anker
- Befestigen mit Gewindestange, Unterlegscheibe und Mutter

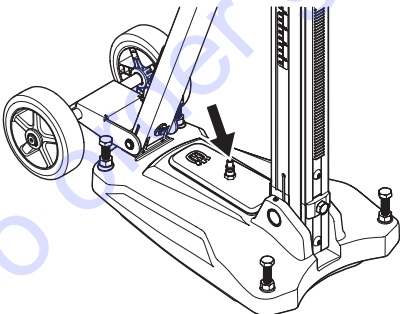
## Sichern mit einer Vakuumplatte



**WARNUNG!** Die Vakuumplatte darf nie zum Bohren von Decken oder Wänden verwendet werden. Die nachlässige oder unsachgemäße Anwendung kann zu schweren und sogar lebensgefährlichen Verletzungen führen.

Bei Verwendung einer Vakuumplatte sicherstellen, dass die Unterlage nicht porös ist, damit die Platte sich nicht von Fußboden oder Wand lösen kann. Sicherstellen, dass die Vakuumpumpe das Ansaugen der Vakuumplatte bewältigt.

- Verbinden Sie die Vakuumpumpe mit der Vakuum-Schnellkupplung an der Grundplatte.



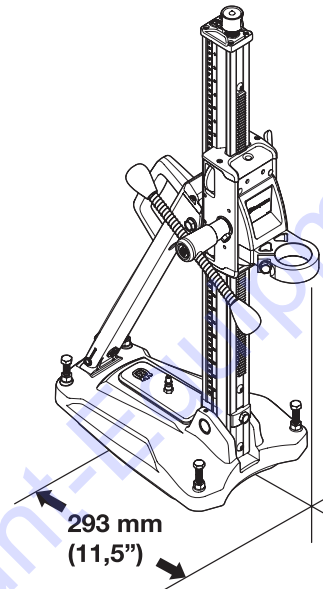
- Platzieren Sie die Grundplatte in der gewünschten Position.
- Schalten Sie die Vakuumpumpe ein. Es muss ein Mindestdruck von 635 mm Hg (25 Zoll Hg) erreicht werden, sodass die Grundplatte eng an der Oberfläche anliegt.

## Befestigen mit Expander oder Anker

**WICHTIG!** Beim Bohren in Dächer dürfen nur Expander und Anker verwendet werden, die für Oberflächen unter Zugbelastung geeignet sind.

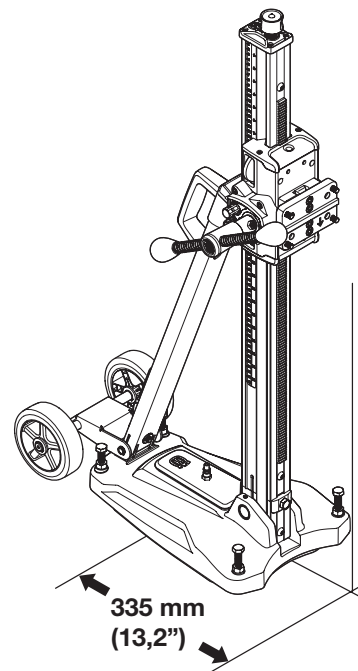
Verwenden Sie nur Expander/Anker, die für die jeweilige Anwendung freigegeben wurden.

### DS 150



- Bohren Sie für den Expander/Anker ein Loch in einem Abstand von 293 mm (11,5") vom Mittelpunkt der Öffnung.
- Die Sohlenplatte verschrauben. Genau kontrollieren, ob der Expander richtig fest sitzt.
- Die Grundplatte kann mithilfe der Einstellschrauben an die Oberfläche angepasst werden. Verwenden Sie den Zuführungshebel.

### DS 250



# MONTAGE

- Bohren Sie für den Expander/Anker im Abstand von 335 mm (13,2") vom Mittelpunkt der Öffnung ein Loch.
- Die Sohlenplatte verschrauben. Genau kontrollieren, ob der Expander richtig fest sitzt.
- Die Grundplatte kann mithilfe der Einstellschrauben an die Oberfläche angepasst werden. Verwenden Sie den Zuführungshebel.

## Befestigen mit Gewindestange, Unterlegscheibe und Mutter

Eignet sich die Montagefläche nicht für das Bohren in Decken oder Wänden, kann die Grundplatte mit einer Gewindestange befestigt werden, die auf der Rückseite mit einer Unterlegscheibe und einer Mutter montiert ist.

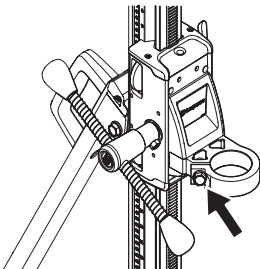
## Montage des Bohrmotors

**WICHTIG!** Vor Reinigung, Wartung oder Montage immer den Stecker aus der Steckdose ziehen.

- Beim Ein- und Ausbau des Motors stets die Bohrkronen abnehmen.
- Verriegeln Sie das Zuführungsgehäuse.

### DS 150

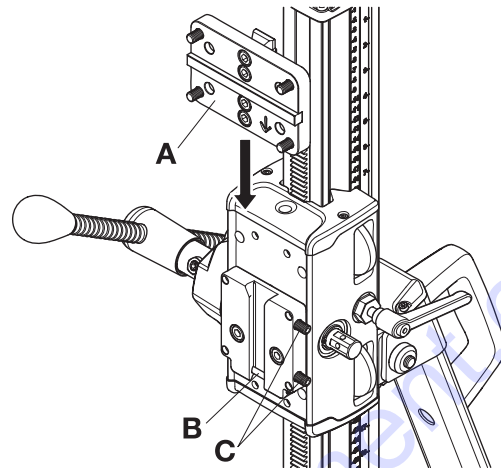
- Befestigen Sie die Bohrspindel am Bohrmotorträger. Verwenden Sie den Zuführungshebel.



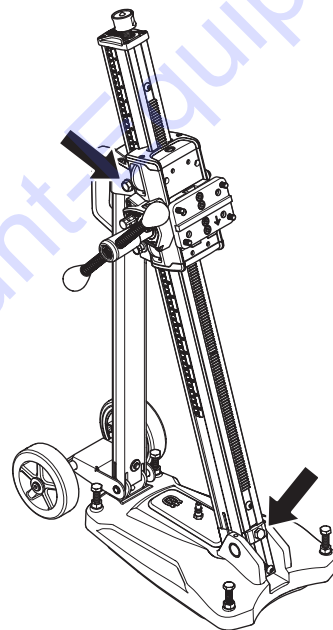
### DS 250

- Passen Sie den Bohrmotor in die Schnellkupplung (A) ein.
- Schnellbefestigung und Bohrmaschine in der Nut an der Sicherungsklammer anbringen. Stellen Sie sicher, dass die Schnellkupplung auf der Schiene der Verriegelung ganz nach unten gedrückt wird (B).

- Verwenden Sie zum Sichern die Arretierungsschrauben (C).



## Passen Sie die Säulenneigung an



Lösen Sie die Sicherungsschrauben zur Anpassung der Säulenneigung und stellen Sie den gewünschten Bohrwinkel ein. Ziehen Sie die Sicherungsschrauben an. Verwenden Sie den Zuführungshebel. Die Säule kann um 0-60 Grad geneigt werden.

Verwenden Sie den Winkelmesser für die Grobeinstellung. Ist höhere Präzision erforderlich, verwenden Sie alternative Messmethoden.

## Bohren in der Decke



**WARNUNG!** Wasser in einem Gefäß auffangen, um ein Eindringen in das Gerät zu verhindern. Das Gerät mit Folie o.s.ä. abdecken, damit kein Wasser eindringen kann. Dabei keine Lufteinlässe und Luftauslässe blockieren.

## Ständerwartung



**WARNUNG! Kontrollen und/oder Wartungsarbeiten sind bei abgeschaltetem Motor und abgezogenem Stecker durchzuführen.**

Die Lebensdauer Ihres Geräts lässt sich erheblich verlängern, wenn es korrekt benutzt, gepflegt und gewartet wird.

## Reinigung und Schmierung



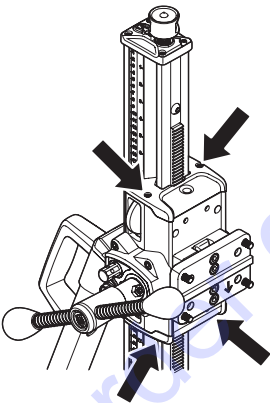
**WICHTIG! Bohrmotor ausbauen.**

- Der Bohrstander muss saubergehalten werden, damit es einwandfrei funktionieren kann.
- Der Ständer wird einer Hochdruckwäsche unterzogen und danach abgetrocknet.
- Alle beweglichen Ständerteile schmieren. Fett benutzen, um Korrosion an Anliegeflächen zu verhindern.

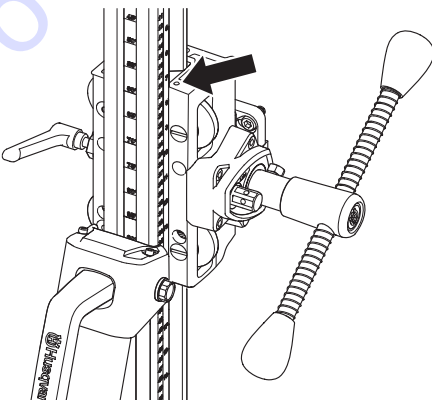
## Anpassen des Zuführungsgehäuses

Passen Sie das Spiel zwischen der Säule und dem Zuführungsgehäuse (sofern vorhanden) an.

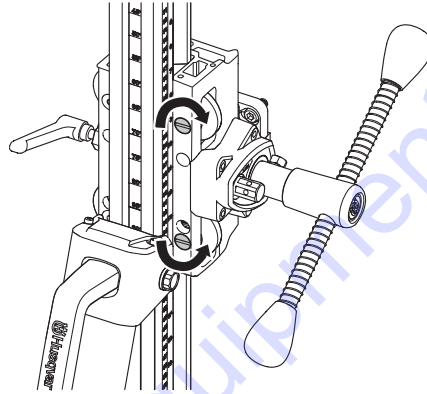
- Entfernen Sie die obere und untere Kunststoffabdeckung.



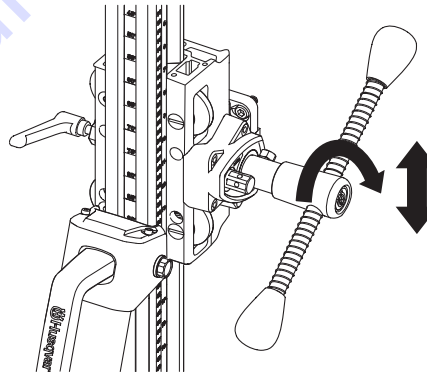
- Lösen Sie die Schrauben, die zur Befestigung der Führungsrollenwellen dienen.



- Beginnen Sie mit der oberen Führungsrolle. Verwenden Sie einen flachen Schraubendreher, und drehen Sie diesen im Uhrzeigersinn, um die Rolle näher an die Säule zu bewegen.
- Ziehen Sie die Schrauben an, um die Führungsrolle zu fixieren.
- Passen Sie die untere Rolle an, indem Sie den Schraubendreher gegen den Uhrzeigersinn drehen, um die Rolle näher an die Säule heranzubringen.



- Ziehen Sie die Schrauben an, um die Führungsrolle zu fixieren.
- Prüfen Sie mithilfe des Zuführungshebels, ob sich das Zuführungsgehäuse reibungslos auf der Säule bewegt. Ist dies nicht der Fall, passen Sie die Rollen erneut an.



- Bringen Sie die obere und untere Kunststoffabdeckung an.

## Reparaturen

**WICHTIG! Sämtliche Reparaturen dürfen nur von autorisiertem Reparaturpersonal ausgeführt werden. Diese Vorschrift soll verhindern, dass der Bediener großen Gefahren ausgesetzt wird.**

## Tägliche Wartung

- 1 Schrauben und Muttern nachziehen.
- 2 Das Gerät äußerlich reinigen.
- 3 Prüfen Sie, ob die Zuführungskurbel ohne Widerstand bewegt werden kann.
- 4 Prüfen Sie, ob das Getriebe leicht und geräuschfrei bewegt werden kann.
- 5 Prüfen Sie die Säule auf Abnutzung und Beschädigung.
- 6 Stellen Sie sicher, dass das Zuführungsgehäuse leicht bewegt werden kann und dass dieses nicht gegen die Säule schlägt.

---

## TECHNISCHE DATEN

---

	DS 150	DS 250
<b>Abmessungen</b>		
Höhe, mm/Zoll	862/33,9	1052/41,4
Breite, mm/Zoll	266/10,5	266/10,5
Tiefe mm/Zoll	522/20,6	545/21,5
Gewicht, kg/lbs	14/30,9	14,5/32
Hublänge, mm/Zoll	495/19,5	686/27
Max. Bohrdurchmesser, mm/Zoll	150/6	250/10
Abwinklung der Bohrsäule	0-60°	0-60°

To order go to [Discount-Equipment.com](http://Discount-Equipment.com)



# EXPLICATION DES SYMBOLES

## Symboles sur la machine:

AVERTISSEMENT! La machine utilisée de manière imprudente ou inadéquate peut devenir un outil dangereux, pouvant causer des blessures graves voire mortelles à l'utilisateur et aux autres personnes présentes.



Lire attentivement et bien assimiler le manuel d'utilisation avant d'utiliser la machine.



Toujours utiliser:

- Casque de protection homologué
- Protecteurs d'oreilles homologués
- Lunettes protectrices ou visière
- Masque respiratoire



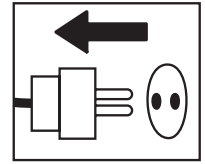
En cas de forage au plafond, s'assurer que l'eau ne risque pas de couler dans la machine. Utiliser un récipient adéquat pour recueillir l'eau et recouvrir la machine de plastique en laissant libres l'admission et l'échappement d'air.



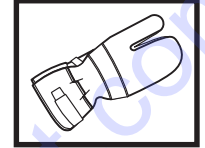
Les autres symboles/autocollants présents sur la machine concernent des exigences de certification spécifiques à certains marchés.

## Symboles dans le manuel:

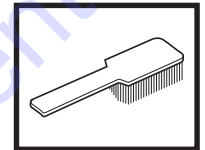
Les contrôles et/ou les entretiens doivent être effectués avec le moteur à l'arrêt et la prise électrique débranchée.



Toujours porter des gants de protection homologués.



Un nettoyage régulier est indispensable.



Examen visuel.



Porter des lunettes protectrices ou une visière.



---

# SOMMAIRE

---

## Sommaire

### EXPLICATION DES SYMBOLES

Symboles sur la machine: .....	32
Symboles dans le manuel: .....	32

### SOMMAIRE

Sommaire .....	33
----------------	----

### QUELS SONT LES COMPOSANTS?

Quels sont les composants du support? .....	34
---	----

### INSTRUCTIONS DE SÉCURITÉ

Mesures avant utilisation d'un nouveau support .....	35
Équipement de protection personnelle .....	35
Instructions générales de sécurité .....	36

### PRÉSENTATION

Supports DS 150 et DS 250 .....	37
---------------------------------	----

### MONTAGE

Réglage du train de roues .....	38
Sécuriser le bâti .....	38
Montage du moteur de forage .....	39
Régler l'inclinaison de la colonne .....	39
Forage dans le plafond .....	39

### ENTRETIEN

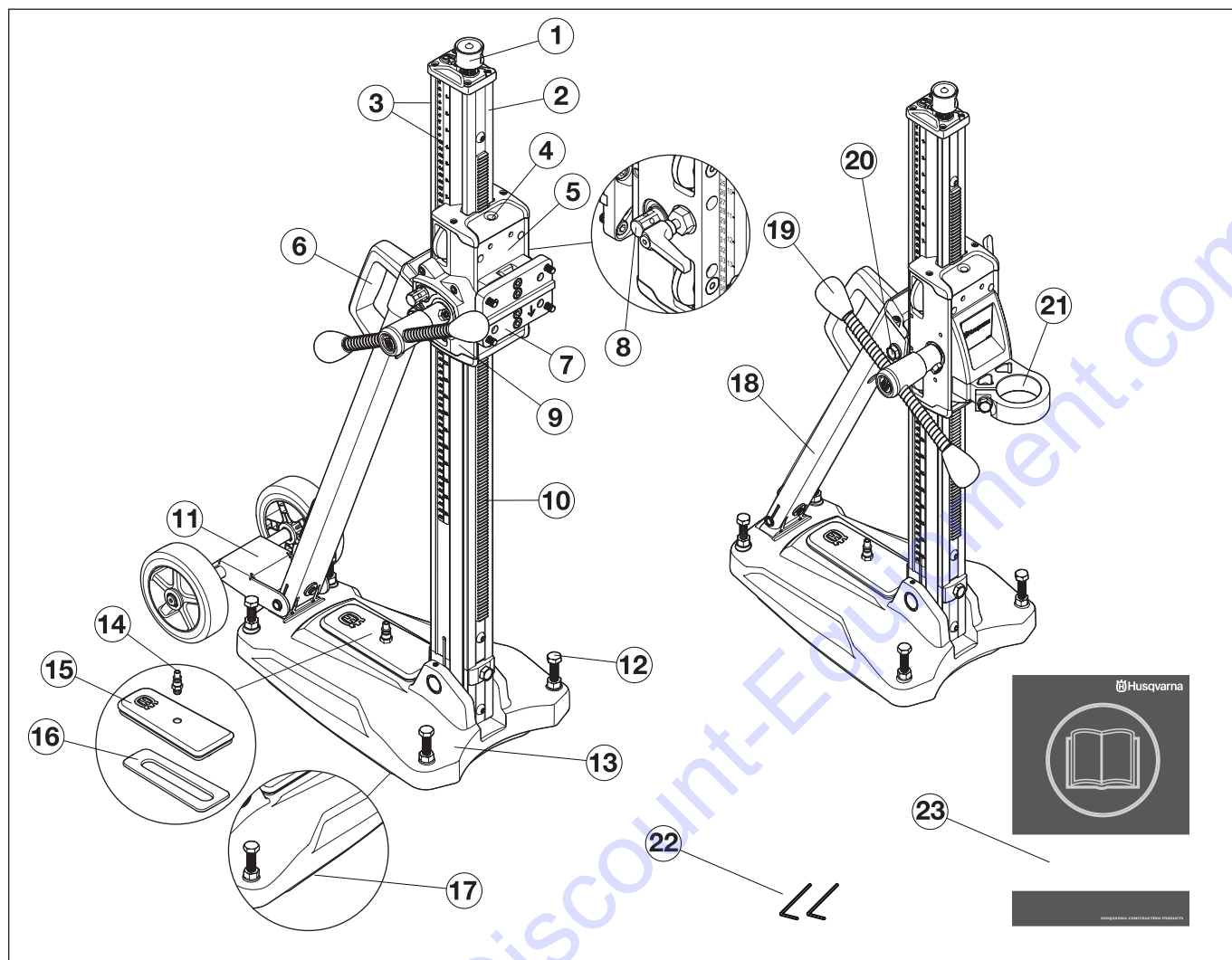
Entretien du support .....	40
----------------------------	----

### CARACTÉRISTIQUES TECHNIQUES

Assurance de conformité UE .....	41
----------------------------------	----

To order go to [Discount-Equipment.com](http://Discount-Equipment.com)

## QUELS SONT LES COMPOSANTS?



### Quels sont les composants du support?

- |    |   |    |  |
|----|---|----|--|
| 1  | Vis de calage                               | 13 | Plaque du socle avec fonction de vide intégrée   |
| 2  | Pilier de forage                            | 14 | Couplage rapide pour pression de vide            |
| 3  | Graduation de profondeur et d'inclinaison   | 15 | Capot du dispositif à vide                       |
| 4  | Indicateur de niveau vertical et horizontal | 16 | Joint, couvercle du dispositif de vide           |
| 5  | Carter d'alimentation                       | 17 | Joint, aspiration de mise sous vide              |
| 6  | Poignée pour le transport                   | 18 | Équerre d'appui                                  |
| 7  | Fixation rapide                             | 19 | Levier d'alimentation                            |
| 8  | Verrouillage carter d'alimentation          | 20 | Vis de fixation, orientation du pilier de forage |
| 9  | Boîte d'engrenages                          | 21 | Support du moteur de forage (avec œil)           |
| 10 | Crémaillère                                 | 22 | Clé à six pans (3 mm, 4 mm)                      |
| 11 | Train de roues (amovible)                   | 23 | Manuel d'utilisation                             |
| 12 | Vis de réglage                              |    |  |

# INSTRUCTIONS DE SÉCURITÉ

## Mesures avant utilisation d'un nouveau support

- Lire attentivement et bien assimiler le manuel d'utilisation avant d'utiliser la machine.
- Cette machine est conçue pour le perçage du béton, des briques et de différents types de pierres. Toute autre utilisation est incorrecte.
- La machine est conçue pour des applications industrielles et destinée à des opérateurs expérimentés.
- Assurez-vous que le poste de travail est bien rangé. Le désordre augmente les risques d'accident.
- Veuillez également parcourir le mode d'emploi fourni avec le moteur de forage et vérifier que les performances de ce dernier sont compatibles avec le support.

## Utilisez toujours votre bon sens

Il est impossible de mentionner toutes les situations auxquelles vous pouvez être confronté. Soyez toujours vigilant et utilisez l'appareil avec bon sens. Évitez toutes les situations pour lesquelles vous ne vous estimez pas suffisamment qualifié. Si, après avoir lu ces instructions, vous ne vous sentez toujours pas à l'aise quant à la manière de procéder, il convient de consulter un expert avant de poursuivre.

N'hésitez pas à prendre contact avec votre revendeur si vous avez des questions sur l'utilisation de la machine. Nous sommes à votre disposition et vous conseillerons avec plaisir pour vous aider à utiliser votre machine en toute sécurité et de façon efficace.

Faites régulièrement contrôler la machine par votre revendeur Husqvarna afin qu'il procède aux installations et réparations adéquates.

Toutes les informations et toutes les données indiquées dans ce manuel d'utilisation étaient valables à la date à laquelle ce manuel a été porté à l'impression.



**AVERTISSEMENT! Ne jamais modifier, sous aucun prétexte, la construction initiale de la machine sans l'autorisation du fabricant. N'utiliser que des accessoires et des pièces d'origine. Toute modification non autorisée et/ou tout emploi d'accessoires non homologués peuvent provoquer des accidents graves voire mortels pour l'utilisateur et les autres.**

## Équipement de protection personnelle

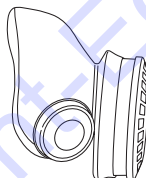


**AVERTISSEMENT! Un équipement de protection personnelle homologué doit impérativement être utilisé lors de tout travail avec la machine. L'équipement de protection personnelle n'élimine pas les risques mais réduit la gravité des blessures en cas d'accident. Demander conseil au concessionnaire afin de choisir un équipement adéquat.**

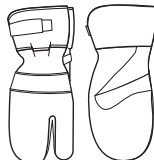
- Casque de protection
- Protecteur d'oreilles
- Lunettes protectrices ou visière



- Masque respiratoire



- Gants solides permettant une prise sûre.



- Vêtements confortables, robustes et serrés qui permettent une liberté totale de mouvement.



- Bottes avec coquille en acier et semelle antidérapante.



- Une trousse de premiers secours doit toujours être disponible.



# INSTRUCTIONS DE SÉCURITÉ

## Instructions générales de sécurité



**AVERTISSEMENT! Lire toutes les consignes et instructions de sécurité. Le non-respect des consignes et instructions peut provoquer une électrocution, un incendie et/ou des blessures graves.**

### Sécurité dans l'espace de travail

- Maintenir un espace de travail propre et bien éclairé. Les espaces encombrés ou sombres exposent à des accidents.
- Des personnes ou des animaux peuvent détourner l'attention de l'opérateur et l'amener à perdre le contrôle de la machine. C'est pourquoi l'opérateur doit toujours être attentif et concentré sur son travail.
- Ne pas travailler par mauvais temps: brouillard épais, pluie diluvienne, vent violent, grand froid, etc. Travailler par mauvais temps est fatiguant et peut créer des conditions de travail dangereuses telles que le verglas.
- Ne jamais commencer à travailler avec la machine sans avoir le champ libre et les pieds bien d'aplomb. Identifier les obstacles éventuels dans le cas de déplacement inattendu. S'assurer qu'aucun matériau ne risque de tomber et de provoquer des blessures ou des dommages lors de travail avec la machine.
- Contrôlez toujours la partie arrière de la surface traversée par le trépan. Délimitez la zone de travail et vérifiez que personne ne peut être blessé ni aucun matériau endommagé.

### Sécurité du personnel



**AVERTISSEMENT! Le risque de coincement est toujours présent lors de travail avec des produits comportant des éléments mobiles. Utiliser des gants de protection pour éviter les blessures personnelles.**

- Utiliser les équipements de protection personnelle. Voir au chapitre Équipement de protection personnelle.
- Éviter d'utiliser la machine en cas de fatigue, d'absorption d'alcool ou de prise de médicaments susceptibles d'affecter l'acuité visuelle, le jugement ou la maîtrise du corps.
- Ne jamais laisser d'autres personnes utiliser la machine sans s'être assuré au préalable que ces personnes ont bien compris le contenu du mode d'emploi.
- Attention! Les habits, les cheveux longs et les bijoux peuvent se coincer dans les parties en mouvement.
- Ne travaillez jamais seul, mais toujours avec une personne à proximité. Cette personne peut aider à monter la machine, mais aussi intervenir en cas d'accident.

## Utilisation et entretien

- Ne jamais utiliser une machine qui n'est pas en parfait état de marche. Suivre dans ce manuel d'utilisation les instructions de maintenance, de contrôle et d'entretien. Certaines mesures de maintenance et d'entretien doivent être confiées à un spécialiste dûment formé et qualifié. Voir au chapitre Entretien.
- Ne jamais utiliser une machine qui a été modifiée au point de ne plus être conforme au modèle original.
- Assurez-vous que toutes les pièces sont en état de fonctionnement et que tous les éléments de fixation sont correctement serrés.

## Transport et rangement

- Stockez l'équipement dans un endroit verrouillé afin de le maintenir hors de portée des enfants et de toute personne incompétente.
- Stockez la perceuse et le support dans un endroit sec et à l'abri du gel.

# PRÉSENTATION

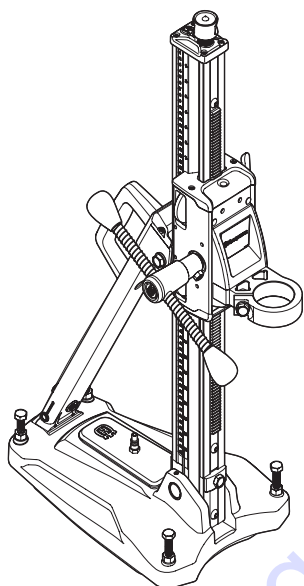
## Supports DS 150 et DS 250

Nous espérons que cette machine vous donnera toute satisfaction et qu'elle vous accompagnera pendant de longues années. N'oubliez pas que ce manuel d'utilisation est important. En suivant les instructions qu'il contient (utilisation, révision, entretien, etc.), il est possible d'allonger considérablement la durée de vie de la machine et d'augmenter sa valeur sur le marché de l'occasion. En cas de vente de la machine, ne pas oublier de remettre le manuel d'utilisation au nouveau propriétaire.

L'achat de l'un des nos produits garantit une assistance professionnelle pour l'entretien et les réparations. Si la machine n'a pas été achetée chez l'un de nos revendeurs autorisés, demandez l'adresse de l'atelier d'entretien le plus proche.

Husqvarna Construction Products travaille constamment à améliorer la construction de ses produits. Husqvarna se réserve donc le droit de procéder à des modifications de construction sans avis préalable et sans autres engagements.

### DS 150

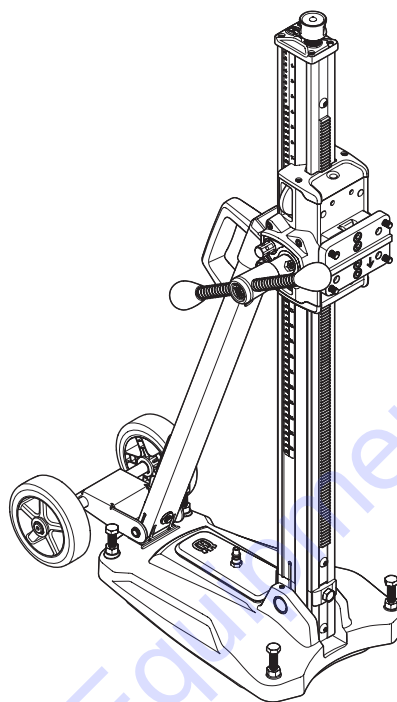


- Ce support est destiné au forage dans les plafonds, les murs et les sols.
- La plaque du socle est en aluminium et est donc extrêmement légère. Elle est équipée d'une plaque à vide intégrée.
- La colonne peut être inclinée de 0 à 60°.
- Le bâti est équipé d'un support pour le moteur de forage.
- Le levier d'alimentation peut être utilisé pour desserrer/serrer la fixation du moteur de forage, pour ajuster les vis de mise à niveau de la plaque de base et pour régler l'inclinaison souhaitée de la colonne.

#### Accessoires

- Boîte d'engrenages
- Train de roues (amovible)
- Pompe à vide VP 200

### DS 250



- Ce support est destiné au forage dans les plafonds, les murs et les sols.
- La plaque du socle est en aluminium et est donc extrêmement légère. Elle est équipée d'une plaque à vide intégrée.
- La colonne peut être inclinée de 0 à 60°.
- Le bâti de forage est équipé d'une plaque à raccordement rapide pour le moteur de forage.
- Le train de roues est amovible.
- Le rapport de fonctionnement du carter d'alimentation est ajustable. Le rapport maximum est de 2,25:1 et le rapport minimum, 1:1.
- Le levier d'alimentation peut être utilisé pour ajuster les vis de mise à niveau de la plaque de base et pour régler l'inclinaison souhaitée de la colonne.

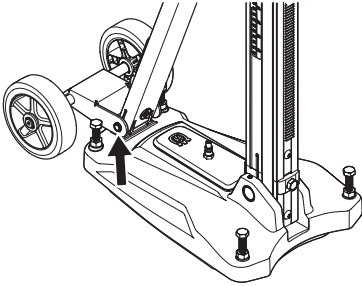
#### Accessoires

- Pompe à vide VP 200

# MONTAGE

## Réglage du train de roues

- Ajuster le train de roues dans le support à l'arrière de la plaque inférieure et serrer les vis.



## Sécuriser le bâti

Il y a trois méthodes de fixation du bâti.

- Sécurisation avec plaque à vide
- Fixation avec mandrin expansible ou ancrage
- Fixation avec tige filetée, rondelle et contre-écrou

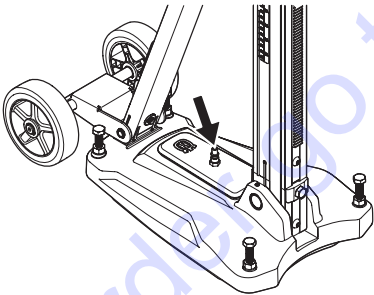
## Sécurisation avec plaque à vide



**AVERTISSEMENT! Il convient de ne jamais utiliser la plaque à vide pour le forage dans un plafond ou dans un mur. Une utilisation imprudente ou incorrecte peut résulter en des blessures graves voire mortelles.**

**Si la plaque de sous-pression est utilisée, vérifiez que la base n'est pas poreuse et ne risque pas de se détacher du sol ou du mur. Vérifiez que la pompe à vide possède la capacité nécessitée par la plaque de sous-pression.**

- Raccorder la pompe à vide au couplage rapide pour la pression de vide sur la plaque du socle.



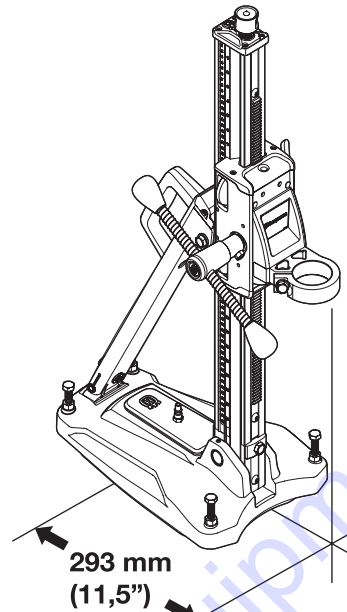
- Placer la plaque du socle dans la position souhaitée.
- Allumer la pompe à vide. Une pression minimum de 635 mm Hg (25 pouces Hg) doit être atteinte de façon à ce que la plaque du socle adhère fermement à la surface.

## Fixation avec mandrin expansible ou ancrage

**IMPORTANT! Pour le forage de plafonds, il convient de n'utiliser qu'un mandrin expansible ou un ancrage adapté aux surfaces exposées à des forces de traction.**

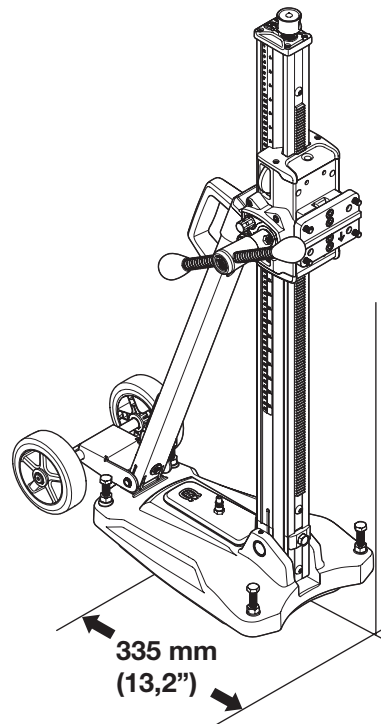
**N'utiliser qu'un mandrin expansible ou un ancrage approuvé pour la présente application.**

## DS 150



- Percer un trou pour le mandrin expansible/ancrage à une distance de 293 mm (11,5") du centre du trou.
- Vissez le piétement. Contrôlez soigneusement que la vis d'expansion est bien ancrée.
- La plaque du socle peut être ajustée à la surface à l'aide des vis de réglage. Utiliser le levier d'alimentation.

## DS 250



- Percer un trou pour le mandrin expansible/ancrage à une distance de 335 mm (13,2") du centre du trou.
- Vissez le piétement. Contrôlez soigneusement que la vis d'expansion est bien ancrée.
- La plaque du socle peut être ajustée à la surface à l'aide des vis de réglage. Utiliser le levier d'alimentation.

# MONTAGE

## Fixation avec tige filetée, rondelle et contre-écrou

Si la surface de montage n'est pas adéquate pour le forage dans des plafonds ou des murs, la plaque du socle peut être fixée à l'aide d'une tige filetée montée à l'arrière avec une rondelle et un contre-écrou.

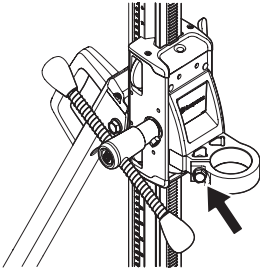
## Montage du moteur de forage

**IMPORTANT!** Toujours débrancher la prise avant le nettoyage, l'entretien et le montage.

- Retirez toujours le trépan avant de monter ou de déposer le moteur.
- Enclenchez le dispositif de blocage du boîtier de commande.

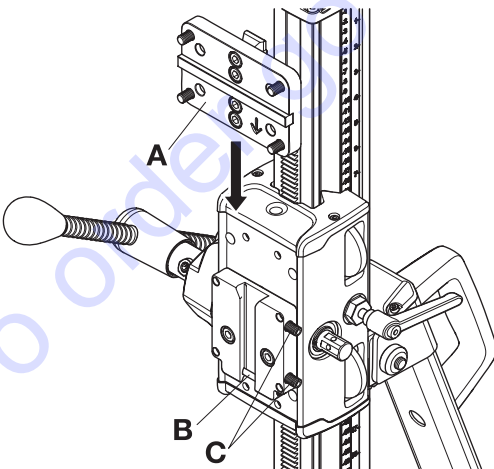
### DS 150

- Fixer la broche de forage sur le support du moteur de forage. Utiliser le levier d'alimentation.

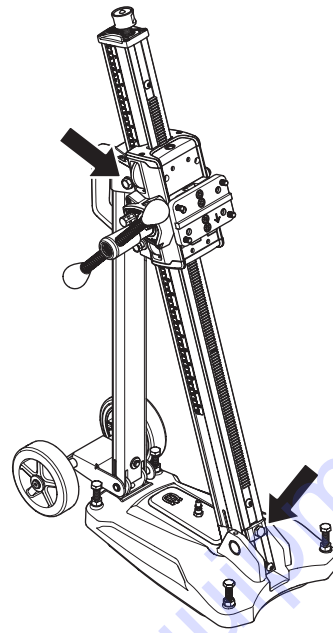


### DS 250

- Placer le moteur de forage sur le support rapide (A).
- Montez la fixation rapide et la foreuse dans le sillon de l'attache. Veiller à ce que le support rapide soit bien inséré jusqu'en bas (B) du rail sur le clip de blocage.
- Fixer à l'aide des vis de blocage (C).



## Régler l'inclinaison de la colonne



Desserrer les vis de blocage pour l'inclinaison de la colonne et régler l'angle de forage souhaité. Serrer les vis de blocage. Utiliser le levier d'alimentation. La colonne peut être inclinée de 0 à 60°.

L'indicateur d'angle peut être utilisé pour un réglage approximatif. Si une précision supérieure est nécessaire, il convient d'utiliser des méthodes de mesure alternatives.

## Forage dans le plafond



**AVERTISSEMENT!** Utilisez un collecteur d'eau pour éviter l'infiltration de l'eau dans la machine. La machine doit être recouverte avec du plastique ou matériau similaire pour empêcher l'infiltration d'eau; cependant, la prise d'air et l'orifice d'échappement ne doivent pas être recouverts.



# ENTRETIEN

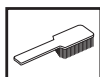
## Entretien du support



**AVERTISSEMENT!** Les contrôles et/ou les entretiens doivent être effectués avec le moteur à l'arrêt et la prise électrique débranchée.

Une utilisation, un entretien et une maintenance corrects de la machine permettent de prolonger considérablement sa durée de vie.

## Nettoyage et graissage



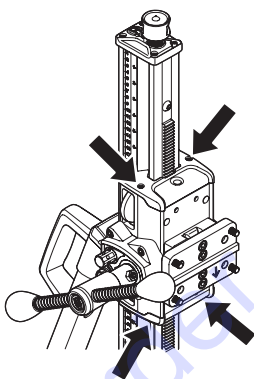
**IMPORTANT!** Retirez le moteur de forage.

- Pour qu'il continue à fonctionner correctement, il est essentiel que le support de forage soit toujours propre.
- Le support doit être nettoyé avec de l'air comprimé, puis séché.
- Graissez les éléments mobiles du support. Utilisez une graisse afin d'éliminer tout risque de corrosion sur les surfaces de contact.

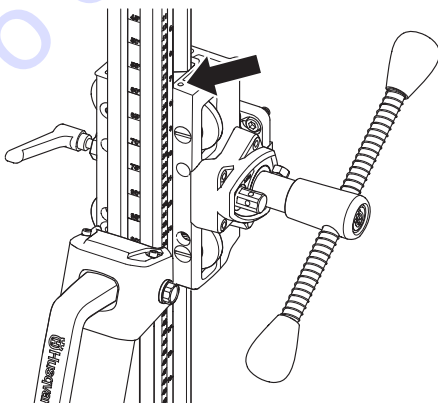
## Réglage du boîtier de commande

S'il y a du jeu entre la colonne et le boîtier de commande, il convient de l'ajuster.

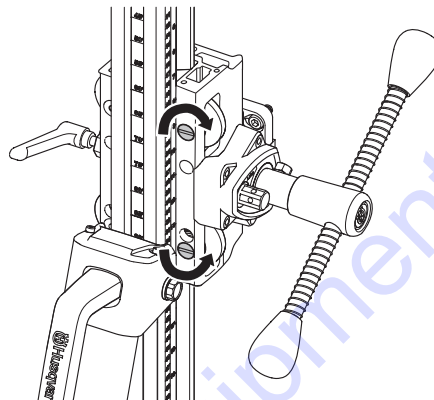
- Retirer les carters du chariot en plastique supérieur et inférieur.



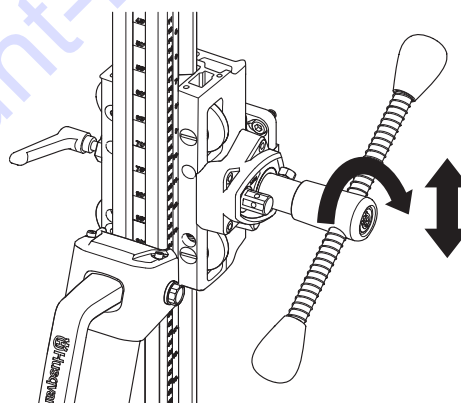
- Desserrer le jeu de vis fixant les axes du rouleau de guidage.



- Commencer avec le galet de guidage supérieur. Utiliser un tournevis plat et tourner dans le sens des aiguilles d'une montre pour le guider à proximité de la colonne.
- Serrer le jeu de vis pour fixer le rouleau de guidage.
- Ajuster le galet inférieur en vissant dans le sens inverse des aiguilles d'une montre pour le guider à proximité de la colonne.



- Serrer le jeu de vis pour fixer le rouleau de guidage.
- Utiliser le levier de commande pour voir si le boîtier bouge en douceur le long de la colonne. Dans le cas contraire, régler de nouveau les galets.



- Placer les carters du chariot en plastique inférieur et supérieur.

## Réparations

**IMPORTANT!** Toutes les réparations doivent être effectuées par des réparateurs agréés. Ceci permet d'éviter que les opérateurs ne soient exposés à des risques importants.

## Entretien quotidien

- 1 S'assurer que toutes les vis et tous les écrous sont bien serrés.
- 2 Nettoyer l'extérieur de la machine.
- 3 Vérifier que le bras de manivelle peut être déplacé sans résistance.
- 4 Vérifier que l'embrayage bouge facilement et n'émet aucun bruit.
- 5 Vérifier que la colonne ne présente aucune usure ou n'est pas endommagée.
- 6 Vérifier que le boîtier de commande peut être bougé facilement et ne saccade pas le long de la colonne de bâti.

---

## CARACTÉRISTIQUES TECHNIQUES

---

	DS 150	DS 250
<b>Dimensions</b>		
Hauteur, mm/pouces	862/33,9	1052/41,4
Largeur, mm/pouces	266/10,5	266/10,5
Profondeur, mm/pouces	522/20,6	545/21,5
Poids, kg/lbs	14/30,9	14,5/32
Course, mm/pouces	495/19,5	686/27
Diamètre max. de forage, mm/pouces	150/6	250/10
Angle du pilier de forage	0-60°	0-60°

To order go to [Discount-Equipment.com](http://Discount-Equipment.com)

To order go to [Discount-Equipment.com](http://Discount-Equipment.com)

1151162-20



2008-06-10

**TO PURCHASE THIS PRODUCT PLEASE CONTACT US**



**Equipment Financing and  
Extended Warranties Available**



**Discount-Equipment.com is your online resource for  
commercial and industrial quality parts and equipment sales.**

**561-964-4949**

**visit us on line @ [www.discount-equipment.com](http://www.discount-equipment.com)**

Select an option below to find your Equipment

**Search by Manufacturer**

**Search by Product Type**

**Request a Quote**

We sell worldwide for the brands: Genie, Terex, JLG, MultiQuip, Mikasa, Essick, Whiteman, Mayco, Toro Stone, Diamond Products, Generac Magnum, Airman, Haulotte, Barreto, Power Blanket, Nifty Lift, Atlas Copco, Chicago Pneumatic, Allmand, Miller Curber, Skyjack, Lull, Skytrak, Tsurumi, Husquvarna Target, Stow, Wacker, Sakai, Mi-T-M, Sullair, Basic, Dynapac, MBW, Weber, Bartell, Bennar Newman, Haulotte, Ditch Runner, Menegotti, Morrison, Contec, Buddy, Crown, Edco, Wyco, Bomag, Laymor, EZ Trench, Bil-Jax, F.S. Curtis, Gehl Pavers, Heli, Honda, ICS/PowerGrit, IHI, Partner, Imer, Clipper, MMD, Koshin, Rice, CH&E, General Equipment, Amida, Coleman, NAC, Gradall, Square Shooter, Kent, Stanley, Tamco, Toku, Hatz, Kohler, Robin, Wisconsin, Northrock, Oztec, Toker TK, Rol-Air, APT, Wylie, Ingersoll Rand / Doosan, Innovatech, Con X, Ammann, Mecalac, Makinex, Smith Surface Prep, Small Line, Wanco, Yanmar