



Husqvarna®



**Operator's manual**  
**Manuel d'utilisation**  
**Manual de instrucciones**  
**DMS 240**



**US CA ES**

Please read the operator's manual carefully and make sure you understand the instructions before using the machine.  
Lire attentivement et bien assimiler le manuel d'utilisation avant d'utiliser la machine.  
Lea detenidamente el manual de instrucciones y asegúrese de entender su contenido antes de utilizar la máquina.



**TO PURCHASE THIS PRODUCT PLEASE CONTACT US**



**Equipment Financing and  
Extended Warranties Available**



**Discount-Equipment.com is your online resource for  
commercial and industrial quality parts and equipment sales.**

**561-964-4949**

**visit us on line @ [www.discount-equipment.com](http://www.discount-equipment.com)**

Select an option below to find your Equipment

**Search by Manufacturer**

**Search by Product Type**

**Request a Quote**

We sell worldwide for the brands: Genie, Terex, JLG, MultiQuip, Mikasa, Essick, Whiteman, Mayco, Toro Stone, Diamond Products, Generac Magnum, Airman, Haulotte, Barreto, Power Blanket, Nifty Lift, Atlas Copco, Chicago Pneumatic, Allmand, Miller Curber, Skyjack, Lull, Skytrak, Tsurumi, Husquvarna Target, Stow, Wacker, Sakai, Mi-T-M, Sullair, Basic, Dynapac, MBW, Weber, Bartell, Bennar Newman, Haulotte, Ditch Runner, Menegotti, Morrison, Contec, Buddy, Crown, Edco, Wyco, Bomag, Laymor, EZ Trench, Bil-Jax, F.S. Curtis, Gehl Pavers, Heli, Honda, ICS/PowerGrit, IHI, Partner, Imer, Clipper, MMD, Koshin, Rice, CH&E, General Equipment, Amida, Coleman, NAC, Gradall, Square Shooter, Kent, Stanley, Tamco, Toku, Hatz, Kohler, Robin, Wisconsin, Northrock, Oztec, Toker TK, Rol-Air, APT, Wylie, Ingersoll Rand / Doosan, Innovatech, Con X, Ammann, Mecalac, Makinex, Smith Surface Prep, Small Line, Wanco, Yanmar

# KEY TO SYMBOLS

## Symbols on the machine:

**WARNING!** The machine can be a dangerous tool if used incorrectly or carelessly, which can cause serious or fatal injury to the operator or others.



Please read the operator's manual carefully and make sure you understand the instructions before using the machine.



Always wear:

- Approved protective helmet
- Approved hearing protection
- Protective goggles or a visor
- Breathing mask



**Environmental marking.** Symbols on the product or its packaging indicate that this product cannot be handled as domestic waste. It must instead be submitted to an appropriate recycling station for the recovery of electrical and electronic equipment.



By ensuring that this product is taken care of correctly, you can help to counteract the potential negative impact on the environment and people that can otherwise result through the incorrect waste management of this product.

For more detailed information about recycling this product, contact your municipality, your domestic waste service or the shop from where you purchased the product.

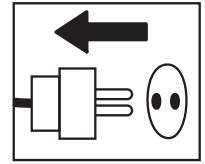
Ensure that water cannot leak into the machine when drilling in the ceiling. Use an appropriate water collector and cover the machine in plastic, but do not cover the air intakes and air outlets.



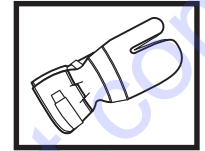
**Other symbols/decals on the machine refer to special certification requirements for certain markets.**

## Symbols in the operator's manual:

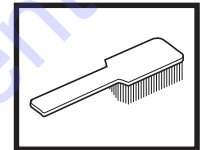
Inspection and/or maintenance should be carried out with the motor switched off and the plug disconnected.



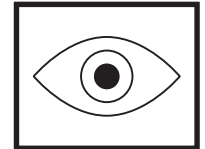
Always wear approved protective gloves.



Regular cleaning is required.



Visual check.



Protective goggles or a visor must be worn.



# CONTENTS

## Contents

### KEY TO SYMBOLS

Symbols on the machine: .....	2
Symbols in the operator's manual: .....	2

### CONTENTS

Contents .....	3
----------------	---

### WHAT IS WHAT?

What is what on the drilling machine? .....	4
---	---

### WHAT IS WHAT?

What is what on the stand? .....	5
----------------------------------	---

### SAFETY INSTRUCTIONS

Steps before using a new drilling machine .....	6
Personal protective equipment .....	6
Machine's safety equipment .....	7
General safety precautions .....	7

### PRESENTATION

Drill motor and stand .....	9
Stand .....	9
Drill motor .....	9

### ASSEMBLY

Fit the wheel kit .....	10
Secure the stand .....	10
Assembly of drill motor .....	11
Adjust the column tilt .....	11

### STARTING AND STOPPING

Before starting .....	12
Starting .....	12
Stopping .....	12

### MAINTENANCE

Changing the drill bit .....	13
Maintenance of the drill motor .....	13
Stand maintenance .....	14
Troubleshooting schedule .....	15

### TECHNICAL DATA

Drill motor .....	16
Drill stand .....	16

### US WARRANTY STATEMENT

WARRANTY POLICY .....	17
EQUIPMENT .....	17

## Note the following before starting:



**WARNING!** Cutting, especially when DRY cutting, generates dust that comes from the material being cut, which frequently contains silica. Silica is a basic component of sand, quartz, brick clay, granite and numerous other minerals and rocks. Exposure to excessive amount of such dust can cause:

Respiratory disease (affecting your ability to breath), including chronic bronchitis, silicosis and pulmonary fibrosis from exposure to silica. These diseases may be fatal;

Skin irritation and rash.

Cancer according to NTP\* and IARC\* \*/ National Toxicology Program, International Agency for Research on Cancer

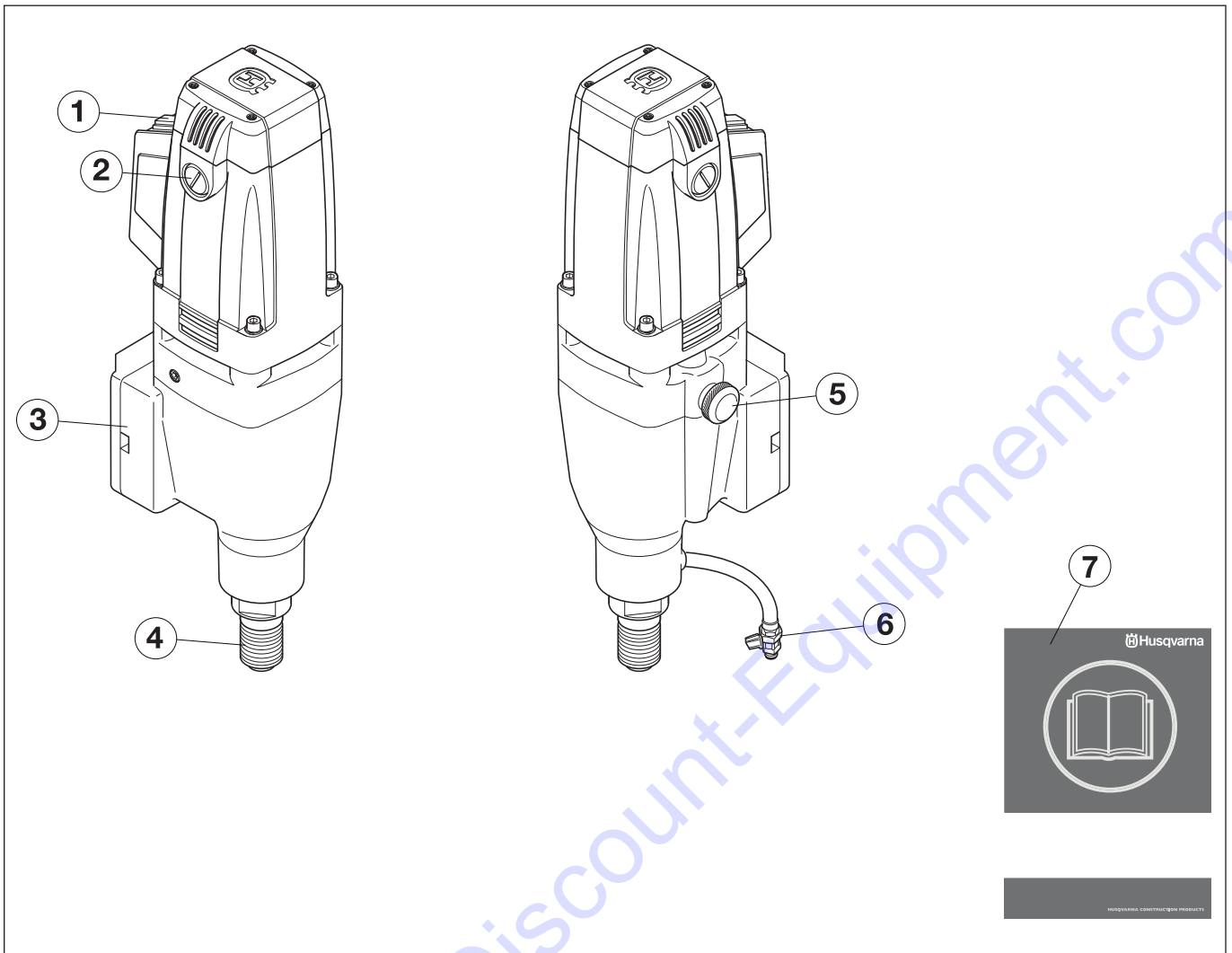
Take precautionary steps:

Avoid inhalation of and skin contact with dust, mist and fumes.

Wear and ensure that all bystanders wear appropriate respiratory protection such as dust masks designed to filter out microscopic particles. (See OSHA 29 CFR Part 1910.1200)

Wet cut when feasible, to minimize dust.

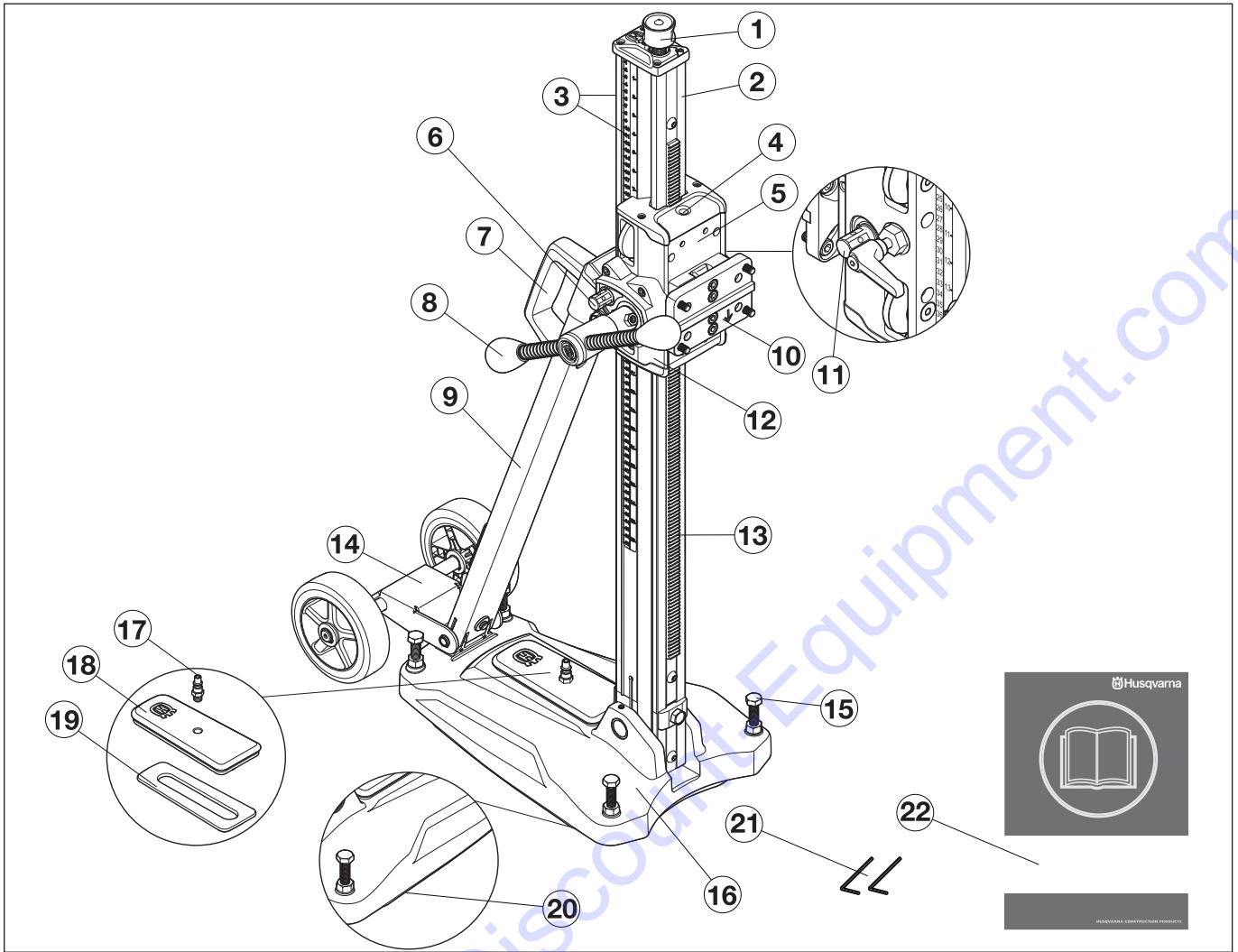
# WHAT IS WHAT?



## What is what on the drilling machine?

- |                      |                     |
|----------------------|---------------------|
| 1 Power switch       | 5 Gear selector     |
| 2 Carbon brush cover | 6 Wash-out port     |
| 3 Fixing for stand   | 7 Operator's manual |
| 4 Drill spindle      |                     |

# WHAT IS WHAT?



## What is what on the stand?

- |   |   |
|---|---|
| 1 Jacking screw                           | 12 Gear box                                   |
| 2 Drill column                            | 13 Gear rack                                  |
| 3 Depth and tilt scale                    | 14 Wheel set (removable)                      |
| 4 Vertical and horizontal level indicator | 15 Leveling adjustment screws                 |
| 5 Carriage                                | 16 Base plate with integrated vacuum function |
| 6 Locking screw, column tilt              | 17 Quick coupling for vacuum pressure         |
| 7 Carrying handle                         | 18 Vacuum cover                               |
| 8 Feed lever                              | 19 Gasket, vacuum cover                       |
| 9 Back support                            | 20 Gasket, base vacuum suction                |
| 10 Quick mounting                         | 21 Allen key (3 mm, 4 mm)                     |
| 11 Carriage lock                          | 22 Operator's manual                          |

# SAFETY INSTRUCTIONS

## Steps before using a new drilling machine

- Do not use the drilling machine without first reading and understanding the contents of this Operator's Manual.
- This machine is designed for and intended for drilling concrete, brick and different stone materials. All other use is improper.
- The machine is intended for use in industrial applications by experienced operators.

## Always use common sense

It is not possible to cover every conceivable situation you can face when using a drilling machine. Always exercise care and use your common sense. Avoid all situations which you consider to be beyond your capability. If you still feel uncertain about operating procedures after reading these instructions, you should consult an expert before continuing. Do not hesitate to contact Discount-equipment if you have any more questions about the use of the drilling machine. We will willingly be of service and provide you with advice as well as help you to use your drilling machine both efficiently and safely.

Do not hesitate to contact Discount-equipment if you have any more questions about the use of the machine. We will willingly be of service and provide you with advice as well as help you to use your machine both efficiently and safely .

Let Discount-equipment check the drilling machine regularly and make essential adjustments and repairs.

Husqvarna Construction Products has a policy of continuous product development. Husqvarna reserves the right to modify the design and appearance of products without prior notice and without further obligation introduce design modifications.

All information and all data in the Operator's Manual were applicable at the time the Operator's Manual was sent to



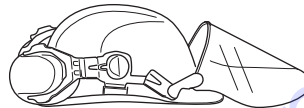
**WARNING! Under no circumstances should you modify the original design of the machine without approval from the manufacturer. Always use original spare parts. Unauthorized modifications and/or accessories may lead to serious injury or death to the user or others.**

## Personal protective equipment

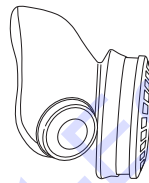


**WARNING! You must use approved personal protective equipment whenever you use the machine. Personal protective equipment cannot eliminate the risk of injury but it will reduce the degree of injury if an accident does happen. Ask your dealer for help in choosing the right equipment.**

- Protective helmet
- Hearing protection
- Protective goggles or a visor



- Breathing mask



- Heavy-duty, firm grip gloves.



- Tight-fitting, heavy-duty and comfortable clothing that permits full freedom of movement.



- Boots with steel toe-caps and non-slip sole



- Always have a first aid kit nearby.



# SAFETY INSTRUCTIONS

## Machine's safety equipment

This section describes the machine's safety equipment, its purpose, and how checks and maintenance should be carried out to ensure that it operates correctly. See the "What is what?" section to locate where this equipment is positioned on your machine.

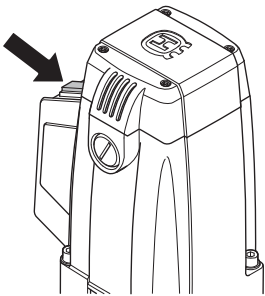


**WARNING! Never use a machine that has faulty safety equipment! Carry out the inspection, maintenance and service routines listed in this section.**

**All servicing and repair work on the machine requires special training. This is especially true of the machine's safety equipment. If your machine fails any of the checks described below you must contact Discount-equipment. When you buy any of our products we guarantee the availability of professional repairs and service. If the retailer who sells your machine is not a servicing dealer, ask him for the address of your nearest service agent.**

## Power switch

The power switch should be used to start and stop the machine.



## Checking the power switch

- Start the machine by switching on the on-off switch.
- Switch the on-off switch off to stop the machine.
- A defective power switch should be replaced by an authorized service workshop.

## General safety precautions



**WARNING! Read all safety warnings and all instructions. Failure to follow the warnings and instructions may result in electric shock, fire and/or serious injury.**

## Work area safety

- **Keep work area clean and well lit.** Cluttered or dark areas invite accidents.
- **Do not operate power tools in explosive atmospheres, such as in the presence of flammable liquids, gases or dust.** Power tools create sparks which may ignite the dust or fumes.

- People and animals can distract you causing you to lose control of the machine. For this reason, always remain concentrated and focused on the task.
- Do not use the machine in bad weather, such as dense fog, heavy rain, strong wind, intense cold, etc. Working in bad weather is tiring and can lead to dangerous conditions, e.g. slippery surfaces.
- Never start to work with the machine before the working area is clear and you have a firm foothold. Look out for any obstacles with unexpected movement. Ensure that no material can become loose and fall, causing injury when operating the machine.
- Always check the rear side of the surface where the drill bit will emerge when drilling right through. Secure and cordon off the area and make sure that no one can be injured or material damaged.

## Electrical safety



**WARNING! There is always a risk of shocks from electrically powered machines. Avoid unfavourable weather conditions and body contact with lightning conductors and metal objects. Always follow the instructions in the Operator's manual to avoid damage.**



**WARNING! Do not wash the machine with water, as water can enter the electrical system or the engine and cause damage to the machine or short circuit.**

- The machine should be connected to an earthed outlet socket.
- Check that the mains voltage corresponds with that stated on the rating plate on the machine.
- Check that the cord and extension cord are intact and in good condition. Use an extension cord intended for outdoor use.
- Never use the machine if the cord is damaged, hand it in to an authorized service workshop for repair.
- To avoid overheating do not use the extension cord while it is rolled up.
- Never carry the machine by means of the cord and never pull out the plug by pulling the cord.
- Keep all cords and extension cords away from water, oil and sharp edges. Make sure the cord is not pinched in doors, fences or the like. Otherwise it can cause the object to become live.
- The power tool should not be exposed to more moisture than what is provided by the water system. Do not expose the power tool to rain. Water entering a power tool will increase the risk of electric shock.
- Ensure the cord is behind you when you start to use the machine so that the cord will not be damaged.



# SAFETY INSTRUCTIONS

## Personal safety



**WARNING! There is always a risk of crush injuries when working with products containing moving parts. Wear protective gloves to avoid body injuries.**

- Wear personal protective equipment. See instructions under the heading "Personal protective equipment".
- Never use the machine if you are tired, if you have drunk alcohol, or if you are taking medication that could affect your vision, your judgement or your co-ordination.
- Prevent unintentional starting. Ensure the switch is in the OFF-position before connecting to power source. Carrying power tools with your finger on the switch or energising power tools that have the switch on invites accidents.
- **Remove any adjusting key or wrench before turning the power tool on.** A wrench or a key left attached to a rotating part of the power tool may result in personal injury.
- Never allow anyone else to use the machine without first ensuring that they have read and understood the contents of the operator's manual.
- Be careful as clothing, long hair, and jewellery can get caught in moving parts.
- Remain at a distance from the drill bit when the motor is running.
- Make sure that no pipes or electrical cables are routed in the area to be drilled.
- Never leave the machine unsupervised with the motor running.
- Always unplug the machine during longer work breaks.
- Never work alone, always ensure there is another person close at hand. Apart from being able to receive help to assemble the machine, you can also get help if an accident should occur.

## Use and care

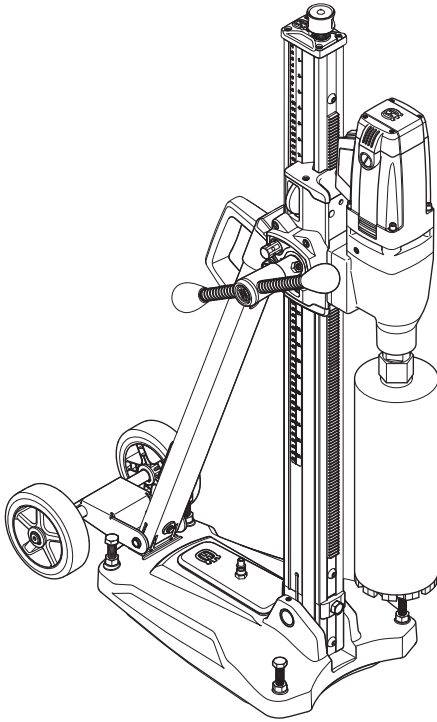
- Never use a machine that is faulty. Carry out the safety checks, maintenance and service instructions described in this manual. Some maintenance and service measures must be carried out by trained and qualified specialists. See instructions under the heading Maintenance.
- Inspection and/or maintenance should be carried out with the motor switched off and the plug disconnected.
- **Do not use the power tool if the switch does not turn it on and off.** Any power tool that cannot be controlled with the switch is dangerous and must be repaired.
- Never use a machine that has been modified in any way from its original specification.
- Do not overload the machine. Overloading can damage the machine.
- Keep tools sharp and clean in order to enable safer work.
- Keep all parts in good working order and ensure that all fixtures are properly tightened.

## Transport and storage

- Do not store or transport the drilling machine with the drill bit fitted in order to protect your drilling machine and drill bits from damage.
- Store the drilling machine in a lockable area so that it is out of reach of children and unauthorised persons.
- Store the drilling machine and stand in dry and frost free conditions.

# PRESENTATION

## Drill motor and stand

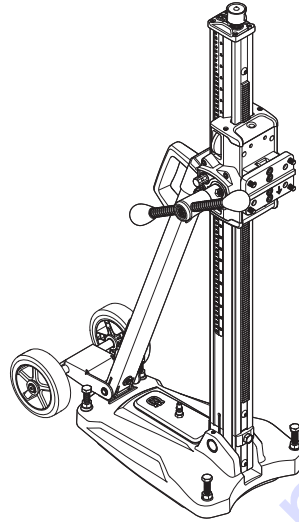


It is our wish that you will be satisfied with your product and that it will be your companion for a long time. Think of this operator's manual as a valuable document. By following its' content (using, service, maintenance etc) the life span and the second-hand value of the machine can be extended. If you ever lend or sell this machine, make sure that the borrower or buyer gets the operator's manual, so they will also know how to properly maintain and use it.

A purchase of one of our products gives you access to professional help with repairs and services. If the retailer who sells your machine is not one of our authorised dealers, ask him for the address of your nearest service workshop.

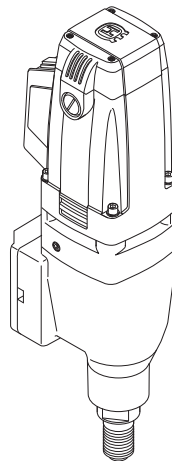
Husqvarna Construction Products has a policy of continuous product development. Husqvarna reserves the right to modify the design and appearance of products without prior notice and without further obligation introduce design modifications.

## Stand



- The stand is for drilling in ceilings, walls and floors.
- The drill stand is equipped with a quick connection plate for the drillmotor.
- The base plate is made of aluminium and is therefore very light weight. It has a integrated vacuum plate.
- The wheel kit is removable.
- The column can be tilted 0-60°.
- The feeder housing's transmission is adjustable. The higher gives 2.5:1 and the lower, 1:1.
- Feed lever can be used to adjust base plate leveling screws and set desired column tilt.

## Drill motor

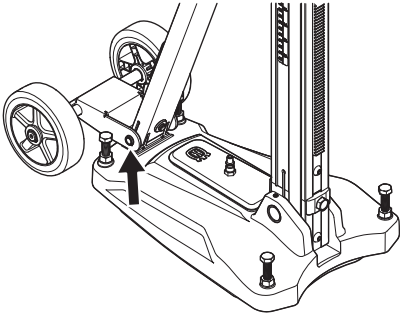


- DMS 240 is an electric drill, intended for drilling concrete, brick and various stone materials.
- The drilling machine has a modular design and is easy to assemble.
- The machine is intended for stand mounted drilling.
- The machine is equipped with two gears.
- The machine is double insulated.
- The overload protection disconnects the power, if the machine is subjected to heavy loads or if the drill bit jams.
- The machine is water cooled.

# ASSEMBLY

## Fit the wheel kit

Fit the wheel kit on the mount on the rear side of the bottom plate and tighten the screws.



## Secure the stand

There are three methods for fixing the stand.

- Securing with vacuum plate
- Fixing with expander or anchor
- Fixing with threaded rod, washer and lock nut

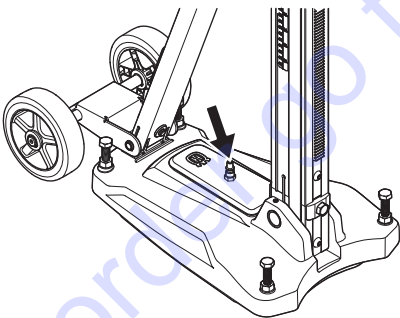
## Securing with vacuum plate



**WARNING!** The vacuum plate must never be used for ceiling or wall drilling. Careless or incorrect use can result in serious, even fatal injury.

If the vacuum plate is used, make sure the support surface is not porous and can loosen. Make sure that the vacuum pump has sufficient power to secure the vacuum plate.

- Connect the vacuum pump to the quick coupling for vacuum pressure on the base plate.

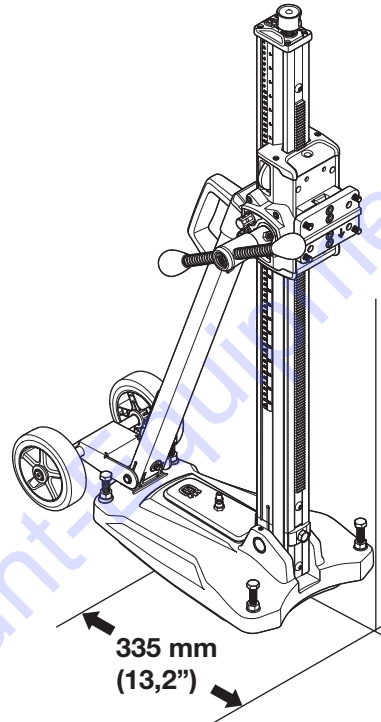


- Place the bottom plate in the desired position.
- Switch on the vacuum pump. A minimum pressure of 635 mm Hg (25 inch Hg) must be reached so that the base plate seals tightly against the surface.

## Fixing with expander or anchor

**IMPORTANT!** When drilling ceilings, only expander or anchor suitable for surfaces exposed to tensile forces should be used.

Use only expander or anchor which is approved for current application.



- Drill a hole for the expander/anchor at a distance of 335 mm (13.2") from the centre of the hole.
- Bolt down the base plate.  
Check carefully that the expander is secured correctly.
- The bottom plate can be adjusted to the surface by using the leveling adjustment screws. Use the feed handle.

## Fixing with threaded rod, washer and lock nut

If the mounting surface is inadequate for drilling in roofs or walls, the base plate can be fixed using a threaded rod, which is mounted on the backside with a washer and lock nut.

## Drilling in the ceiling



**WARNING!** Use a water collector to avoid water penetrating into the machine. The machine must be covered with plastic or the like in order to prevent water penetrating into the machine, but do not cover the air intakes and air outlets.

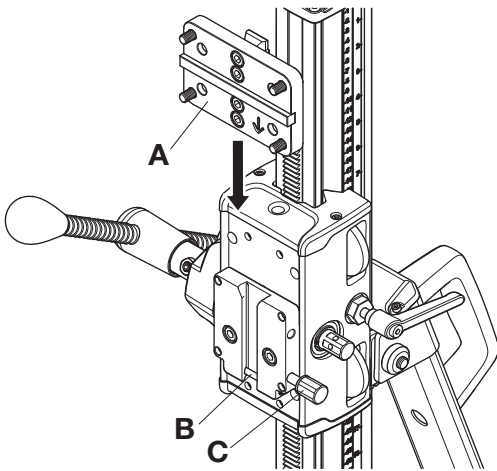
# ASSEMBLY

## Assembly of drill motor

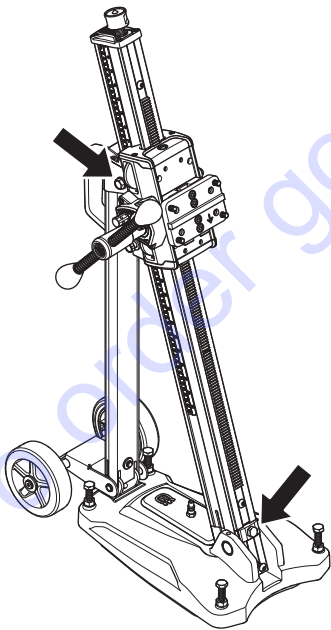


**IMPORTANT!** Always pull out the plug from the outlet socket before cleaning, maintenance or assembly.

- Always remove the drill bit before the motor is mounted or dismantled.
- Lock the feed housing lock.
- Fit the drill motor on the quick mount (A).
- Mount the quick mounting and drilling machine in the track on the locking clamp.
- Secure with the locking screws (C).



## Adjust the column tilt



Loosen the locking screws for column tilt and set the desired drill angle. Tighten the locking screws. Use the feed handle. The column can be tilted 0-60°.

The angle indicator can be used for approximate adjustment. If higher precision is required, alternative measuring methods should be used.

# STARTING AND STOPPING

## Before starting



**WARNING!** Note the following before starting:

The machine should be connected to an earthed outlet socket.

Check that the mains voltage corresponds with that stated on the rating plate on the machine. Keep people and animals well away from the working area.



**WARNING!** Before drilling, check that all locking screws are tightened well.

Serious accidents can occur if the concrete core remains in the drill when backing out the drill motor/drill from the floor, wall or ceiling.

- **Prevent unintentional starting. Ensure the switch is in the OFF-position before connecting to power source and/or battery pack, picking up or carrying the tool.** Carrying power tools with your finger on the switch or energising power tools that have the switch on invites accidents.
- **Remove any adjusting key or wrench before turning the power tool on.** A wrench or a key left attached to a rotating part of the power tool may result in personal injury.

Make sure that:

- The switch is undamaged. If not, the switch must be replaced by an authorised repairman.
- The machine and its equipment are correctly installed:
  - The drill is secured properly.
  - The stand is firmly attached.
  - Secure the machine on the stand using a suitable method.
- Wear personal protective equipment. See instructions under the heading "Personal protective equipment".
- Water cooling is undamaged and connected to the machine.

## Drilling in the ceiling



**WARNING!** The vacuum plate must never be used for ceiling drilling.

Use a water collector to avoid water penetrating into the machine. The machine must be covered with plastic or the like in order to prevent water penetrating into the machine, but do not cover the air intakes and air outlets.



**WARNING!** Check that no one on the floor below can be injured by falling concrete cores.

## Starting

- Turn on the water cooling.
- Press in the switch fully.
- Allow the machine to come up to full speed before contacting workpiece.
- Start to feed the drill bit with the help of the feed handle.

Use very light pressure for the first few millimeters to keep the bit from wandering. Then proceed normally. It's not necessary to use excessive force. This will only slow drilling and overload the motor.

Use especially light pressure when you encounter steel reinforcing rods. High pressure against reinforcing rods will trip the circuit breaker. If the circuit breaker trips, remove the bit from contact with the workpiece before resetting.

## Stopping



**WARNING!** The drill bit continues to rotate for a while after the motor has been switched off. Do not stop the drill bit with your hands. Personal injuries can occur.

Shut down the machine by pressing the power switch.

## Cooling

Run the machine unloaded for a minute or two to cool the motor.

This will also blow dust and dirt out of the motor, ensuring longer life for the machine.

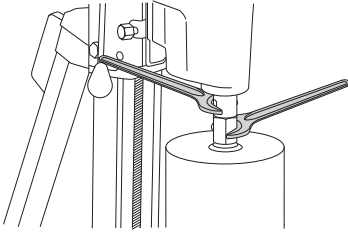
# MAINTENANCE

## Changing the drill bit



**WARNING! Always pull out the plug from the outlet socket before cleaning, maintenance or assembly.**

- 1 Pull out the plug.
- 2 Get:
  - The new drill bit.
  - Open-ended spanners.
  - Water-resistant grease.
- 3 Remove the old drill bit using the open-ended spanners.
- 4 Apply water-resistant grease to the thread of the new drill bit.
- 5 Attach the drill bit using the open-ended spanners.



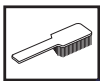
## Maintenance of the drill motor



**WARNING! Inspection and/or maintenance should be carried out with the motor switched off and the plug disconnected.**

The lifetime of your machine can be extended considerably if it is used, cared for and maintained in the proper manner.

## Cleaning



- Keep the machine and drill bit clean in order for drilling to be carried out safely.
- In order for the machine to always be cooled sufficiently the cooling air openings must be kept clear and clean. Blow down the machine regularly with compressed air.



**WARNING! Do not wash the machine with water, as water can enter the electrical system or the engine and cause damage to the machine or short circuit.**

## Electrical Feed



**WARNING! Never use damaged cables. They can cause serious, even fatal, personal injuries.**

Check that the cord and extension cord are intact and in good condition. Never use the machine if the cord is damaged, hand it in to an authorized service workshop for repair.

## Repairs

**IMPORTANT! All types of repairs may only be carried out by authorised repairmen. This is so that the operators are not exposed to great risks.**

## Clutch disc

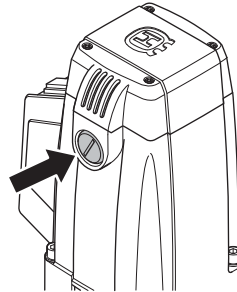
If transmitted torque is lowered, clutch disc requires adjustments. Entrust this to an authorized service center.

## Replacing the carbon brushes

The carbon brushes must be removed and checked regularly. Weekly if the machine is used daily or at longer intervals if the machine is used more seldom. The area of wear should be even and undamaged.

Both carbon brushes must always be replaced as a pair, but one at a time. Do as follows:

- 1 Remove the cover for the carbon brushes using a flat wide screwdriver.



- 2 Carefully remove the carbon brushes. The carbon brushes must be replaced if there is less than 6 mm remaining on the brushes.
- 3 Fit new carbon brushes.
- 4 Screw on the brush cover.
- 5 Let the machine idle for 10 minutes to run in the new carbon brushes.

## Daily maintenance

- 1 Check that nuts and screws are tight.
- 2 Check that the power switch unit works smoothly.
- 3 Clean the outside of the machine.
- 4 Check and clean the cooling air openings.
- 5 Check that the cord and extension cord are intact and in good condition.

# MAINTENANCE

## Stand maintenance



**WARNING!** Inspection and/or maintenance should be carried out with the motor switched off and the plug disconnected.

## Cleaning and lubrication

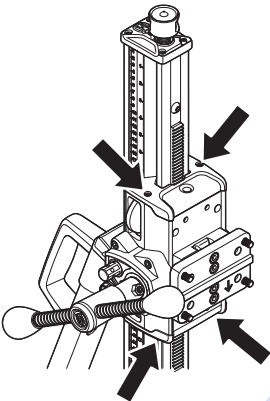
**IMPORTANT!** Remove the drill motor. For maintenance of the drill motor see maintenance of the drill motor.

- It is important that the drill stand is kept clean for functionality to be maintained.
- Clean the stand using a high pressure washer and then wipe dry.
- Lubricate the moving parts on the stand. Apply grease to counteract corrosion on the contact surfaces.

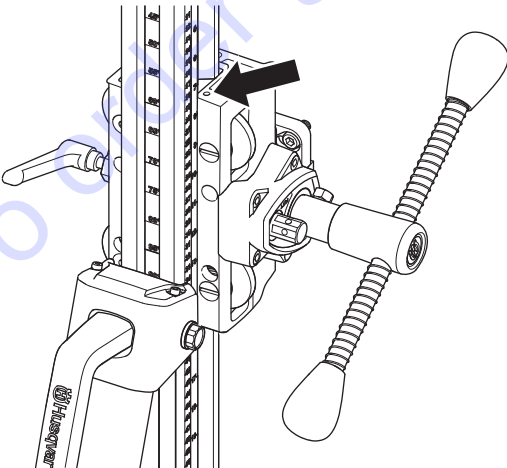
## Adjusting the feed housing

If there is play between the column and the feed housing, the play must be adjusted.

- Remove top and bottom plastic carriage covers.



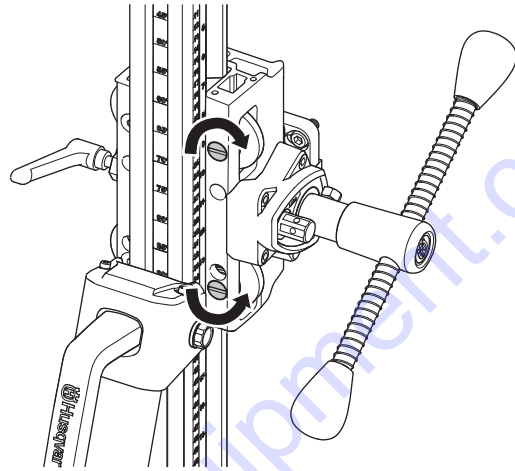
- Loosen set screws holding guide roller shafts.



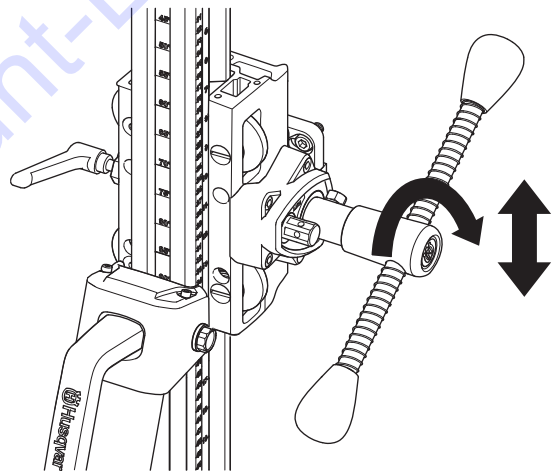
- Start with the top guide roller. Use a flat screwdriver and turn clockwise to guide the roller closer to the column.

Tighten set screw to lock the guide roller shaft.

- Adjust the lower roller by screwing anti-clockwise to guide the roller nearer to the column.



- Tighten set screw to lock the guide roller shaft.
- Use the feed handle to see if the feed housing moves smoothly on the column. If not, adjust the rollers again.



- Fit the top and bottom plastic carriage covers.

## Repairs

**IMPORTANT!** All types of repairs may only be carried out by authorised repairmen. This is so that the operators are not exposed to great risks.

## Daily maintenance

- 1 Check that nuts and screws are tight.
- 2 Clean the outside of the machine.
- 3 Check that the feed crank can be moved without resistance.
- 4 Check that the gearing moves easily and does not cause any noise.
- 5 Check for any wear or damage on the column.
- 6 Check that the feed housing can be moved easily and does not backlash against the stand column.

# MAINTENANCE

## Troubleshooting schedule

Problem	Steps on the spot	Probable cause	Solution
Drilling is unusually slow.	Check bit.	Bit is worn out.	Replace bit.
		Bit is clogged with chips.	Clean bit with a wire brush and increase water pressure.
		Diamond is rounded.	Use a softer bond bit. Increase force on handle.
	Check for metal powder in waste water.	Drill is cutting reinforcing rods.	Ease up the handle to avoid tripping the circuit breaker.
Bit is stuck.	Shut off drill.	Stone or steel bar is caught between core and bit.	Using a wrench, rotate the bit clockwise to free it while backing out the handle. (Rotating it counterclockwise may unscrew the bit from the tube.)
		Base wanders during drilling.	Reset the base and tighten securely.
		Clamp has too much free play.	Adjust clearance of clamp properly.
		The bit's outer diameter is the same as the tube's.	Replace bit.
Tube is abraded.		Clamp has too much free play.	Adjust clearance of clamp properly.
		Bit, tube, or base are loose.	Tighten securely.
		Bit is deformed.	Replace bit.
		Chips not discharging well.	Increase water pressure and volume.

To order go to Discount-Ed.com



---

# TECHNICAL DATA

---

## Drill motor

Electric motor	Single-phase
Rated voltage, V	100-120
Rated output, W	2400

### Rated current, A

100-120 V	20A
-----------	-----

Weight, kg/lbs	5,9/13
----------------	--------

### Spindle speed, idle, rpm

Position 1	390
Position 2	890

### Drill bit

Max. drill bit diameter, mm/inches	250/10
Spindle thread, outer	1 1/4" 7 UNC

Wash-out port	G 1/4"
---------------	--------

## Drill stand

Height, mm/inches	1052/41,4
Width, mm/inches	266/10,5
Depth, mm/inches	545/21,5

Weight, kg/lbs	14,5/32
----------------	---------

Travel length, mm/inch	686/27
The column's angling	0-60°

# EXPLICATION DES SYMBOLES

## Symboles sur la machine:

**AVERTISSEMENT!** La machine utilisée de manière imprudente ou inadéquate peut devenir un outil dangereux, pouvant causer des blessures graves voire mortelles à l'utilisateur et aux autres personnes présentes.



Lire attentivement et bien assimiler le manuel d'utilisation avant d'utiliser la machine.



Toujours utiliser:

- Casque de protection homologué
- Protecteurs d'oreilles homologués
- Lunettes protectrices ou visière
- Masque respiratoire



**Marquage environnemental.** Ce symbole figurant sur le produit ou sur son emballage indique que ce produit ne peut pas être traité comme déchet ménager. Il doit être collecté et amené à une installation de récupération appropriée de déchets d'équipements électriques et électroniques.



En veillant à ce que ce produit soit correctement éliminé, vous pouvez contribuer à prévenir les conséquences négatives potentielles sur l'environnement et les hommes, qui pourraient sinon être le résultat d'un traitement incorrect des déchets de ce produit.

Pour des informations plus détaillées sur le recyclage de ce produit, contactez votre commune ou le magasin où vous avez acheté le produit.

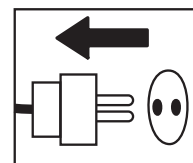
En cas de forage au plafond, s'assurer que l'eau ne risque pas de couler dans la machine. Utiliser un récipient adéquat pour recueillir l'eau et recouvrir la machine de plastique en laissant libres l'admission et l'échappement d'air.



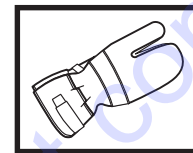
**Les autres symboles/autocollants présents sur la machine concernent des exigences de certification spécifiques à certains marchés.**

## Symboles dans le manuel:

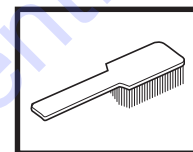
Les contrôles et/ou les entretiens doivent être effectués avec le moteur à l'arrêt et la prise électrique débranchée.



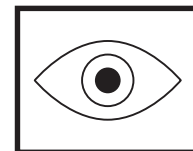
Toujours porter des gants de protection homologués.



Un nettoyage régulier est indispensable.



Examen visuel.



Porter des lunettes protectrices ou une visière.



# SOMMAIRE

## Sommaire

### EXPLICATION DES SYMBOLES

Symboles sur la machine: .....	18
Symboles dans le manuel: .....	18

### SOMMAIRE

Sommaire .....	19
----------------	----

### QUELS SONT LES COMPOSANTS?

Quels sont les composants de la perceuse? .....	20
---	----

### QUELS SONT LES COMPOSANTS?

Quels sont les composants du support? .....	21
---	----

### INSTRUCTIONS DE SÉCURITÉ

Mesures à prendre avant d'utiliser une perceuse neuve	22
---	----

Équipement de protection personnelle .....	22
--	----

Équipement de sécurité de la machine .....	23
--	----

Instructions générales de sécurité .....	23
--	----

### PRÉSENTATION

Moteur de forage et support .....	25
-----------------------------------	----

Support .....	25
---------------	----

Moteur de forage .....	25
------------------------	----

### MONTAGE

Réglage du train de roues .....	26
---------------------------------	----

Sécuriser le bâti .....	26
-------------------------	----

Montage du moteur de forage .....	27
-----------------------------------	----

Régler l'inclinaison de la colonne .....	27
--	----

### DÉMARRAGE ET ARRÊT

Avant de démarrer la machine .....	28
------------------------------------	----

Démarrage .....	28
-----------------	----

Arrêt .....	28
-------------	----

### ENTRETIEN

Remplacement du foret .....	29
-----------------------------	----

Maintenance du moteur de forage .....	29
---------------------------------------	----

Entretien du support .....	30
----------------------------	----

Plan de recherche de pannes .....	31
-----------------------------------	----

### CARACTÉRISTIQUES TECHNIQUES

Moteur de forage .....	32
------------------------	----

Bâti de forage .....	32
----------------------	----

### DECLARATION DE GARANTIE ETATS-UNIS

POLITIQUE DE GARANTIE .....	33
-----------------------------	----

EQUIPEMENT .....	33
------------------	----

## Contrôler les points suivants avant la mise en marche:



**AVERTISSEMENT!** La découpe, particulièrement la découpe à SEC soulève la poussière générée par le matériau coupé qui contient souvent de la silice. La silice est composée de sable, de quarts d'argile, de granit et de nombreuses autres substances minérales et rocheuses. L'exposition à une quantité excessive d'une telle poussière peut causer:

Des maladies respiratoires (altérant les facultés respiratoires), y compris bronchites chroniques, silicose et fibrose pulmonaire dues à une exposition à la silice. Ces maladies peuvent être fatales;

Irritation cutanée et démangeaisons.

Des cancers selon NTP\* et IARC\* \*/ National Toxicology Program, International Agency for Research on Cancer

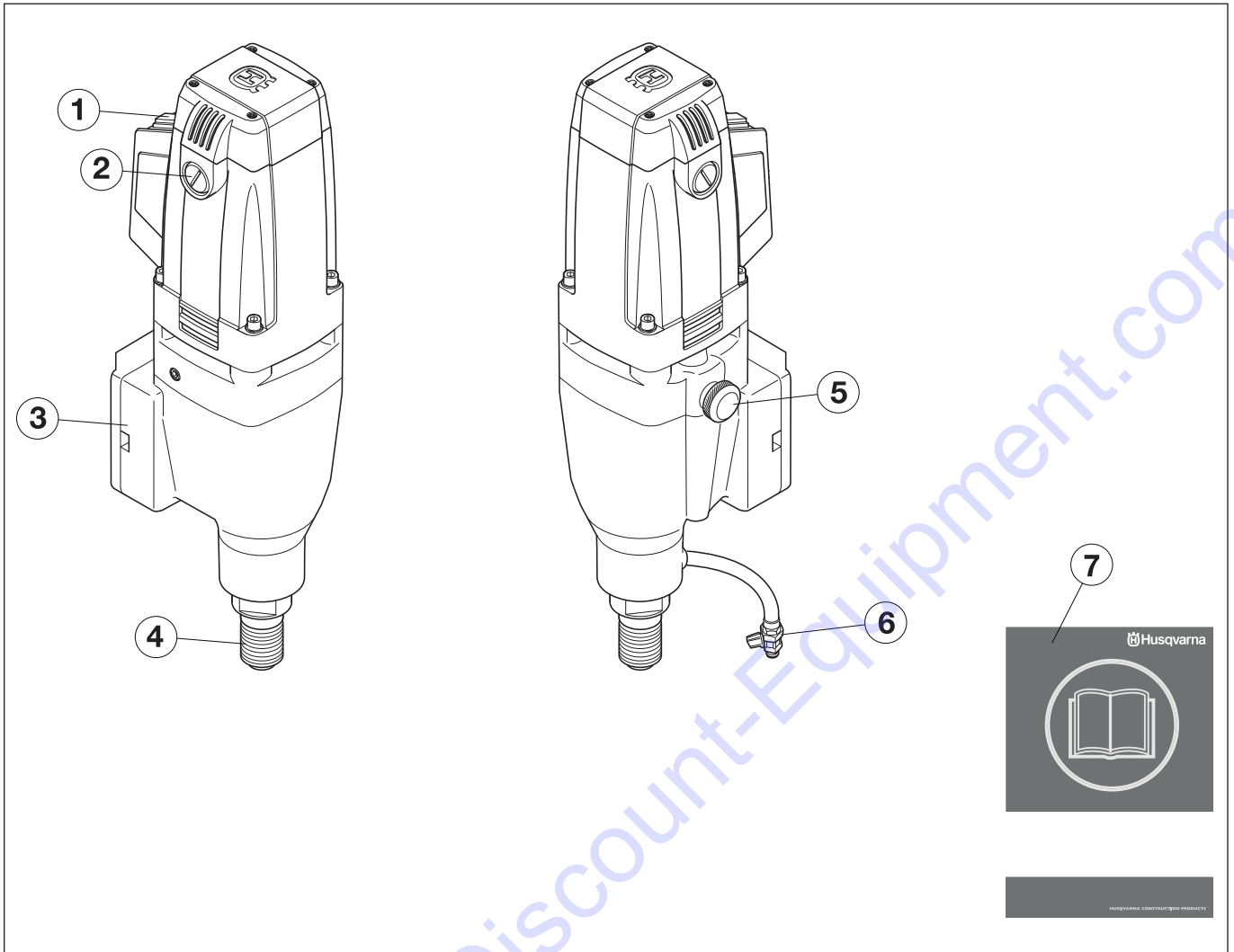
Prendre des mesures préventives:

Éviter l'inhalation et le contact avec la peau de la poussière, des vapeurs et des fumées.

L'utilisateur et les personnes présentes sur le site doivent porter des protections respiratoires appropriées telles que des masques spécialement prévus pour filtrer les particules microscopiques. (Voir OSHA 29 CFR Partie 1910.1200)

Couper si possible en utilisant le jet d'eau afin de réduire la poussière dispersée.

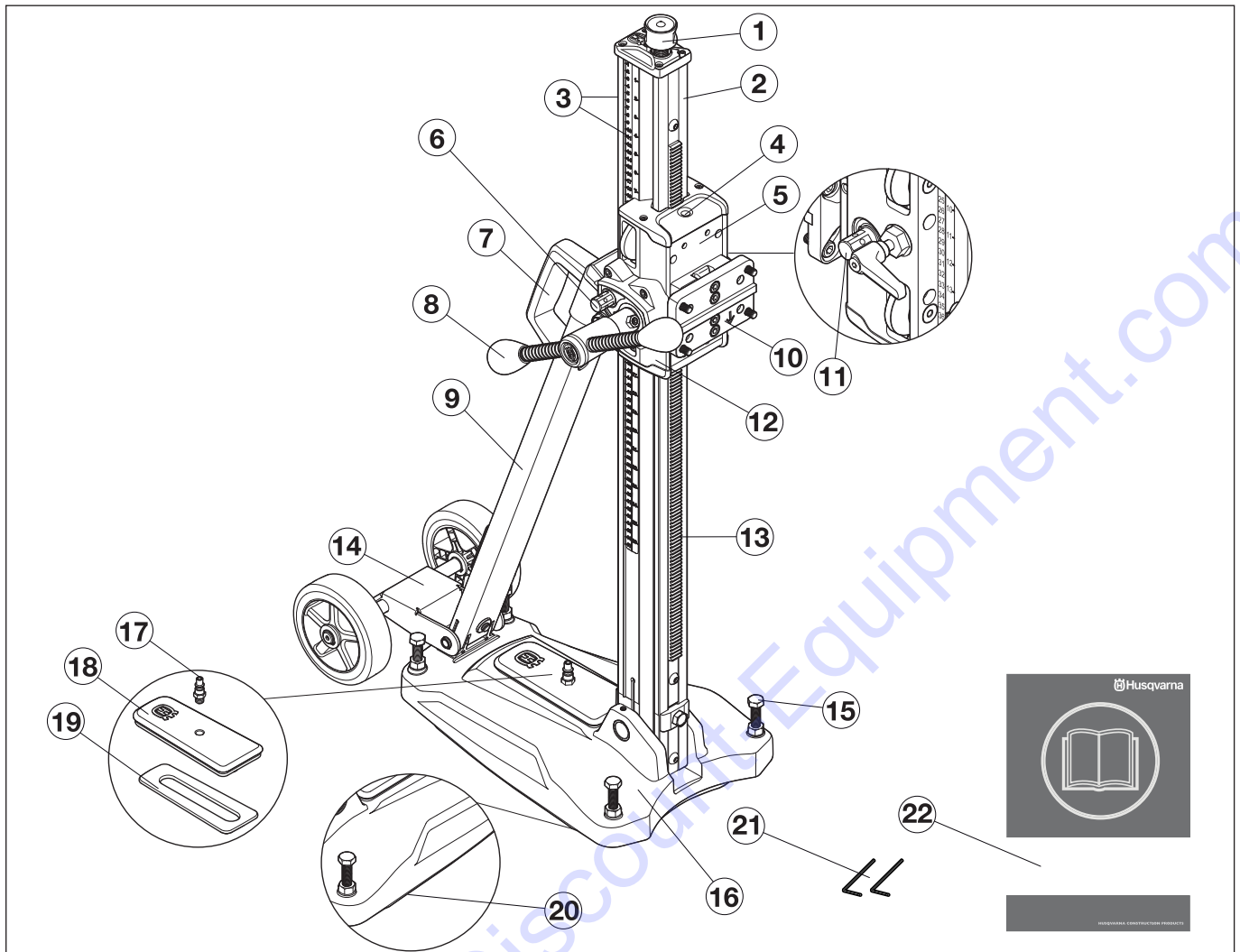
## QUELS SONT LES COMPOSANTS?



### Quels sont les composants de la perceuse?

- |                                   |                        |
|-----------------------------------|------------------------|
| 1 Interrupteur                    | 5 Sélecteur de vitesse |
| 2 Couvercle des balais de charbon | 6 Raccord de l'eau     |
| 3 Fixation pour bâti              | 7 Manuel d'utilisation |
| 4 Broche                          |                        |

# QUELS SONT LES COMPOSANTS?



## Quels sont les composants du support?

- |    |  |    |  |
|----|--|----|--|
| 1  | Vis de calage                                    | 12 | Boîte d'engrenages                             |
| 2  | Pilier de forage                                 | 13 | Crémaillère                                    |
| 3  | Graduation de profondeur et d'inclinaison        | 14 | Train de roues (amovible)                      |
| 4  | Indicateur de niveau vertical et horizontal      | 15 | Vis de réglage                                 |
| 5  | Carter d'alimentation                            | 16 | Plaque du socle avec fonction de vide intégrée |
| 6  | Vis de fixation, orientation du pilier de forage | 17 | Couplage rapide pour pression de vide          |
| 7  | Poignée pour le transport                        | 18 | Capot du dispositif à vide                     |
| 8  | Levier d'alimentation                            | 19 | Joint, couvercle du dispositif de vide         |
| 9  | Équerre d'appui                                  | 20 | Joint, aspiration de mise sous vide            |
| 10 | Fixation rapide                                  | 21 | Clé à six pans (3 mm, 4 mm)                    |
| 11 | Verrouillage carter d'alimentation               | 22 | Manuel d'utilisation                           |

# INSTRUCTIONS DE SÉCURITÉ

## Mesures à prendre avant d'utiliser une perceuse neuve

- Ne travaillez pas avec la perceuse sans avoir lu et compris au préalable le contenu de ce manuel d'utilisation.
- Cette machine est conçue pour le perçage du béton, des briques et de différents types de pierres. Toute autre utilisation est incorrecte.
- La machine est conçue pour des applications industrielles et destinée à des opérateurs expérimentés.

## Utilisez toujours votre bon sens

Il est impossible de prévoir toutes les situations que vous pouvez rencontrer lorsque vous utilisez une perceuse. Soyez toujours prudent et utilisez votre bon sens. Évitez les situations que vous n'êtes pas sûr de maîtriser. Si, après avoir lu ces instructions, vous n'êtes toujours pas sûr de la procédure à suivre, demandez conseil à un expert avant de poursuivre. N'hésitez pas à prendre contact avec votre revendeur ou avec nous si vous avez des questions sur l'utilisation de la perceuse. Nous sommes à votre disposition et vous conseillons volontiers pour vous aider à mieux utiliser votre perceuse en toute sécurité.

N'hésitez pas à prendre contact avec votre revendeur si vous avez des questions sur l'utilisation de la machine. Nous sommes à votre disposition et vous conseillerons avec plaisir pour vous aider à utiliser votre machine en toute sécurité et de façon efficace.

Laissez au revendeur Husqvarna le soin de contrôler régulièrement la perceuse et d'effectuer les réglages et les réparations nécessaires.

Husqvarna Construction Products travaille constamment à améliorer la construction de ses produits. Husqvarna se réserve donc le droit de procéder à des modifications de construction sans avis préalable et sans autres engagements.

Toutes les informations et toutes les données indiquées dans ce manuel d'utilisation étaient valables à la date à laquelle ce manuel a été porté à l'impression.



**AVERTISSEMENT! Ne jamais modifier, sous aucun prétexte, la construction initiale de la machine sans l'autorisation du fabricant. N'utiliser que des accessoires et des pièces d'origine. Toute modification non autorisée et/ou tout emploi d'accessoires non homologués peuvent provoquer des accidents graves voire mortels pour l'utilisateur et les autres.**

## Équipement de protection personnelle

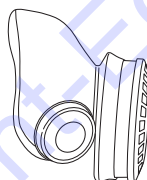


**AVERTISSEMENT! Un équipement de protection personnelle homologué doit impérativement être utilisé lors de tout travail avec la machine. L'équipement de protection personnelle n'élimine pas les risques mais réduit la gravité des blessures en cas d'accident. Demander conseil au concessionnaire afin de choisir un équipement adéquat.**

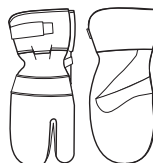
- Casque de protection
- Protecteur d'oreilles
- Lunettes protectrices ou visière



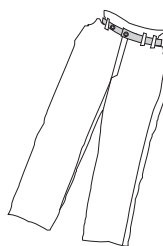
- Masque respiratoire



- Gants solides permettant une prise sûre.



- Vêtements confortables, robustes et serrés qui permettent une liberté totale de mouvement.



- Bottes avec coquille en acier et semelle antidérapante



- Une trousse de premiers secours doit toujours être disponible.



# INSTRUCTIONS DE SÉCURITÉ

## Équipement de sécurité de la machine

Ce chapitre présente les équipements de sécurité de la machine, leur fonction, comment les utiliser et les maintenir en bon état. Voir au chapitre Quels sont les composants? pour trouver leur emplacement sur la machine.

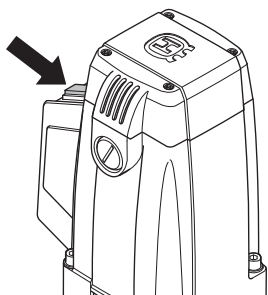


**AVERTISSEMENT!** Ne jamais utiliser une machine dont les équipements de sécurité sont défectueux. Suivre les directives de maintenance, d'entretien et les instructions de réparation indiquées dans ce chapitre.

L'entretien et la réparation de la machine exigent une formation spéciale. Ceci concerne particulièrement l'équipement de sécurité de la machine. Si les contrôles suivants ne donnent pas un résultat positif, s'adresser à un atelier spécialisé. L'achat de l'un de nos produits offre à l'acheteur la garantie d'un service et de réparations qualifiés. Si le point de vente n'assure pas ce service, s'adresser à l'atelier spécialisé le plus proche.

## Interrupteur

L'interrupteur est utilisé pour démarrer et arrêter la machine.



## Contrôle de l'interrupteur

- Démarrer la machine à l'aide de l'interrupteur ON/OFF.
- Arrêter la machine à l'aide de ce même interrupteur.
- Un interrupteur défectueux doit être remplacé par un atelier d'entretien agréé.

## Instructions générales de sécurité



**AVERTISSEMENT!** Lire toutes les consignes et instructions de sécurité. Le non-respect des consignes et instructions peut provoquer une électrocution, un incendie et/ou des blessures graves.

## Sécurité dans l'espace de travail

- **Maintenir un espace de travail propre et bien éclairé.** Les espaces encombrés ou sombres exposent à des accidents.
- **Ne pas utiliser de machines à usiner dans des atmosphères explosives, en présence de liquides, de gaz ou de poussières inflammables par exemple.** Les machines à usiner provoquent des étincelles qui peuvent enflammer la poussière ou les vapeurs.
- Des personnes ou des animaux peuvent détourner l'attention de l'opérateur et l'amener à perdre le contrôle de la machine. C'est pourquoi l'opérateur doit toujours être attentif et concentré sur son travail.
- Ne pas travailler par mauvais temps: brouillard épais, pluie diluvienne, vent violent, grand froid, etc. Travailler par mauvais temps est fatiguant et peut créer des conditions de travail dangereuses telles que le verglas.
- Ne jamais commencer à travailler avec la machine sans avoir le champ libre et les pieds bien d'aplomb. Identifier les obstacles éventuels dans le cas de déplacement inattendu. S'assurer qu'aucun matériau ne risque de tomber et de provoquer des blessures ou des dommages lors de travail avec la machine.
- Contrôlez toujours la partie arrière de la surface traversée par le trépan. Délimitez la zone de travail et vérifiez que personne ne peut être blessé ni aucun matériau endommagé.

# INSTRUCTIONS DE SÉCURITÉ

## Sécurité électrique



**AVERTISSEMENT! Il existe toujours un risque de choc avec les machines électriques. Évitez de travailler par mauvais temps ainsi que tout contact du corps avec du métal/un parafoudre. Suivez toujours les instructions du manuel d'utilisation pour éviter tout dommage.**



**AVERTISSEMENT! Ne lavez pas la machine avec de l'eau. Elle peut en effet s'infiltrer dans le système électrique ou le moteur et ainsi endommager la machine ou provoquer un court-circuit.**

- La machine doit être branchée à une prise de terre.
- Contrôler que la tension secteur est conforme aux indications sur la plaque de la machine.
- Contrôler que le câble et la rallonge sont entiers et en bon état. Utilisez une rallonge prévue pour une utilisation à l'extérieur.
- Ne pas utiliser la machine si le câble est endommagé, la confier à un atelier d'entretien agréé pour réparation.
- N'utilisez pas la rallonge lorsqu'elle est enroulée afin d'éviter toute surchauffe.
- Ne jamais porter la machine par le câble et ne jamais débrancher la prise en tirant sur le câble.
- Conserver tous les câbles et toutes les rallonges loin de l'eau, de l'huile et des bords tranchants. Veiller à ce que le câble ne soit pas coincé dans des portes, des clôtures ou d'autres équipements similaires. Des objets pourraient alors être sous tension.
- Il convient de ne pas exposer la machine à usiner à davantage d'humidité que celle déjà fournie par le système à eau. Il convient de protéger la machine à usiner de la pluie. L'infiltration d'eau dans une machine à usiner augmente le risque d'électrocution.
- Veiller à avoir le câble derrière soi lors de l'utilisation de la machine pour ne pas risquer de l'abîmer.

## Sécurité du personnel



**AVERTISSEMENT! Le risque de coincement est toujours présent lors de travail avec des produits comportant des éléments mobiles. Utiliser des gants de protection pour éviter les blessures personnelles.**

- Utiliser les équipements de protection personnelle. Voir au chapitre "Équipement de protection personnelle".
- Éviter d'utiliser la machine en cas de fatigue, d'absorption d'alcool ou de prise de médicaments susceptibles d'affecter l'acuité visuelle, le jugement ou la maîtrise du corps.
- Évitez tout démarrage intempestif. Vérifier que l'interrupteur est en position OFF avant de brancher la machine au bloc d'alimentation. Le fait de garder le doigt sur l'interrupteur pendant le transport des outils ou le branchement des machines alors que l'interrupteur est en position ON expose à des accidents.

- **Retirez toute clé ou clavette de calage avant de mettre la machine à usiner sous tension.** Une clé ou une clavette reliée à une pièce mobile de la machine à usiner peut entraîner des blessures corporelles.
- Ne jamais laisser d'autres personnes utiliser la machine sans s'être assuré au préalable que ces personnes ont bien compris le contenu du mode d'emploi.
- Attention! Les habits, les cheveux longs et les bijoux peuvent se coincer dans les parties en mouvement.
- Tenez-vous à bonne distance du trépan quand le moteur tourne.
- Vérifiez qu'aucun tuyau ni câble électrique ne traverse la zone de travail.
- Ne laissez jamais la machine sans surveillance avec le moteur en marche.
- Débranchez toujours la machine en cas d'interruption prolongée du travail.
- Ne travaillez jamais seul, mais toujours avec une personne à proximité. Cette personne peut aider à monter la machine, mais aussi intervenir en cas d'accident.

## Utilisation et entretien

- Ne jamais utiliser une machine qui n'est pas en parfait état de marche. Appliquer les instructions de maintenance et d'entretien ainsi que les contrôles de sécurité indiqués dans ce manuel d'utilisation. Certaines mesures de maintenance et d'entretien doivent être confiées à un spécialiste dûment formé et qualifié. Voir les instructions à la section Maintenance.
- Les contrôles et/ou les entretiens doivent être effectués avec le moteur à l'arrêt et la prise électrique débranchée.
- **Ne pas utiliser la machine à usiner si l'interrupteur ne permet pas la mise sous tension ou l'arrêt.** Toute machine à usiner impossible à commander avec l'interrupteur est dangereuse et doit être réparée.
- Ne jamais utiliser une machine qui a été modifiée au point de ne plus être conforme au modèle original.
- Ne sollicitez pas la machine excessivement. Une surcharge peut endommager la machine.
- Utilisez toujours des outils aiguisés et propres pour augmenter la sécurité pendant le travail.
- Assurez-vous que toutes les pièces sont en état de fonctionnement et que tous les éléments de fixation sont correctement serrés.

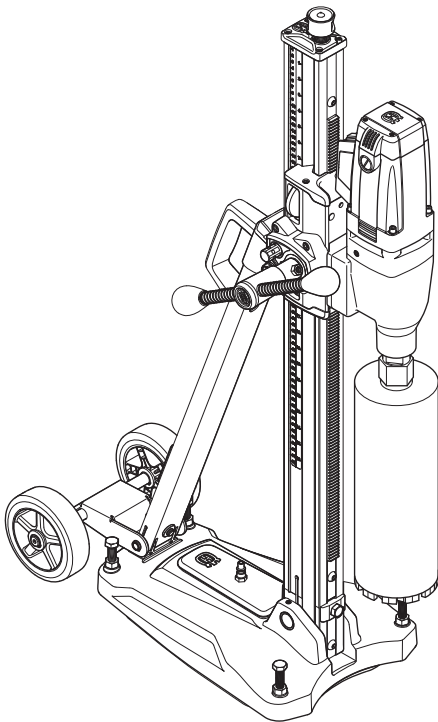
## Transport et rangement

- Pour éviter d'endommager la perceuse et le foret, ne stockez ni ne transportez la perceuse avec le trépan monté.
- Stockez la perceuse dans un endroit verrouillable à clé, de façon à ce qu'elle soit inaccessible aux enfants ainsi qu'aux personnes non autorisées.
- Stockez la perceuse et le support dans un endroit sec et à l'abri du gel.



# PRÉSENTATION

## Moteur de forage et support

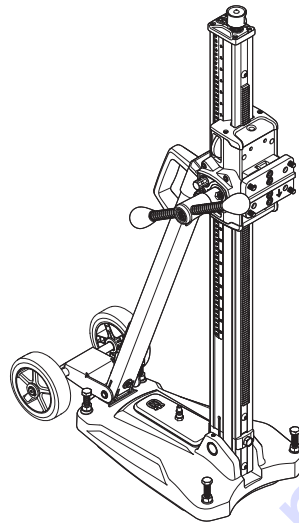


Nous espérons que cette machine vous donnera toute satisfaction et qu'elle vous accompagnera pendant de longues années. N'oubliez pas que ce manuel d'utilisation est important. En suivant les instructions qu'il contient (utilisation, révision, entretien, etc.), il est possible d'allonger considérablement la durée de vie de la machine et d'augmenter sa valeur sur le marché de l'occasion. En cas de vente de la machine, ne pas oublier de remettre le manuel d'utilisation au nouveau propriétaire.

L'achat de l'un de nos produits garantit une assistance professionnelle pour l'entretien et les réparations. Si la machine n'a pas été achetée chez l'un de nos revendeurs autorisés, demandez l'adresse de l'atelier d'entretien le plus proche.

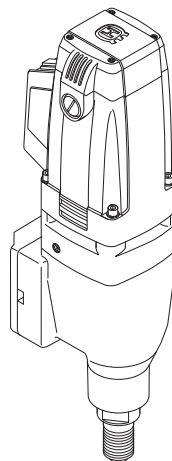
Husqvarna Construction Products travaille constamment à améliorer la construction de ses produits. Husqvarna se réserve donc le droit de procéder à des modifications de construction sans avis préalable et sans autres engagements.

## Support



- Ce support est destiné au forage dans les plafonds
- Le bâti de forage est équipé d'une plaque à raccordement rapide pour le moteur de forage.
- La plaque du socle est en aluminium et est donc extrêmement légère. Elle est équipée d'une plaque à vide intégrée.
- Le train de roues est amovible.
- La colonne peut être inclinée de 0 à 60°.
- Le rapport de fonctionnement du carter d'alimentation est ajustable. Le rapport maximum est de 2,5:1 et le rapport minimum, 1:1.
- Le levier d'alimentation peut être utilisé pour ajuster les vis de mise à niveau de la plaque de base et pour régler l'inclinaison souhaitée de la colonne.

## Moteur de forage

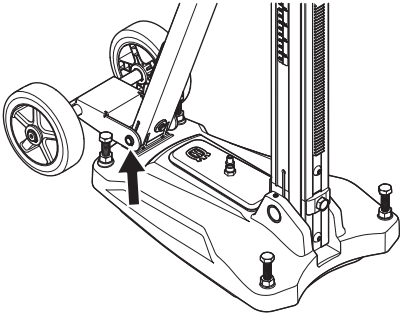


- DMS 240 est une perceuse électrique conçue pour le perçage du béton, des briques et de différents types de pierres.
- La perceuse est constituée de modules et facile à monter.
- Cette machine est conçue pour être montée sur un support.
- La machine est équipée de deux vitesses.
- La machine est dotée d'une double isolation.
- En cas de forte sollicitation de la machine ou si le foret est coincé, la protection contre les surcharges coupe le courant.
- La machine est refroidie par eau.

# MONTAGE

## Réglage du train de roues

Ajuster le train de roues dans le support à l'arrière de la plaque inférieure et serrer les vis.



## Sécuriser le bâti

Il y a trois méthodes de fixation du bâti.

- Sécurisation avec plaque à vide
- Fixation avec mandrin expansible ou ancrage
- Fixation avec tige filetée, rondelle et contre-écrou

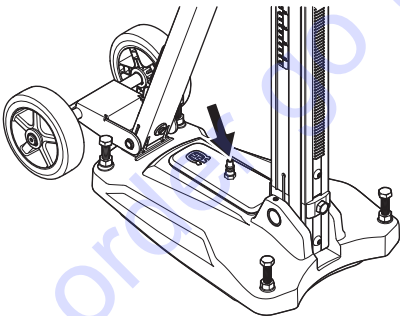
### Sécurisation avec plaque à vide



**AVERTISSEMENT!** Il convient de ne jamais utiliser la plaque à vide pour le forage dans un plafond ou dans un mur. Une utilisation imprudente ou incorrecte peut résulter en des blessures graves voire mortelles.

Si la plaque à vide est utilisée, assurez-vous que la surface du support n'est pas poreuse et qu'elle ne peut se détacher. Vérifiez que la pompe à vide possède la capacité nécessitée par la plaque de sous-pression.

- Raccorder la pompe à vide au couplage rapide pour la pression de vide sur la plaque du socle.

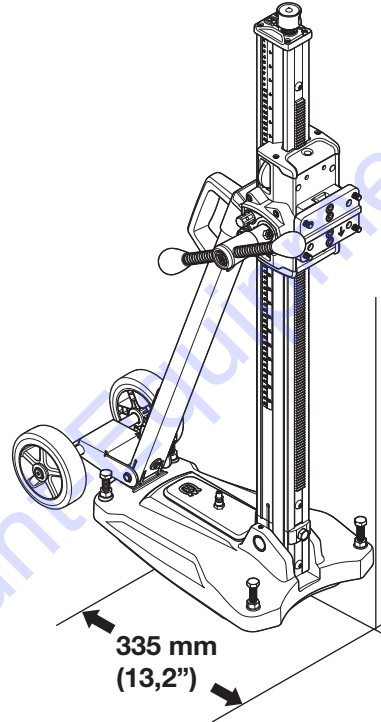


- Placer la plaque du socle dans la position souhaitée.
- Allumer la pompe à vide. Une pression minimum de 635 mm Hg (25 pouces Hg) doit être atteinte de façon à ce que la plaque du socle adhère fermement à la surface.

## Fixation avec mandrin expansible ou ancrage

**IMPORTANT!** Pour le forage de plafonds, il convient d'utiliser qu'un mandrin expansible ou un ancrage adapté aux surfaces exposées à des forces de traction.

N'utiliser qu'un mandrin expansible ou un ancrage approuvé pour la présente application.



- Percer un trou pour le mandrin expansible/ancrage à une distance de 335 mm (13,2") du centre du trou.
- Vissez le piétement.  
Contrôlez soigneusement que la vis d'expansion est bien ancrée.
- La plaque du socle peut être ajustée à la surface à l'aide des vis de réglage. Utiliser le levier d'alimentation.

## Fixation avec tige filetée, rondelle et contre-écrou

Si la surface de montage n'est pas adéquate pour le forage dans des plafonds ou des murs, la plaque du socle peut être fixée à l'aide d'une tige filetée montée à l'arrière avec une rondelle et un contre-écrou.

# MONTAGE

## Forage dans le plafond



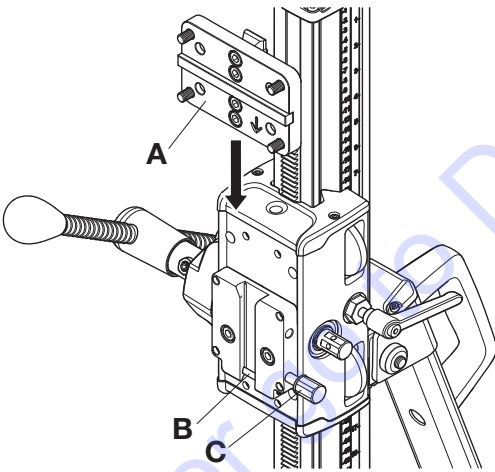
**AVERTISSEMENT!** Utilisez un collecteur d'eau pour éviter l'infiltration de l'eau dans la machine. La machine doit être recouverte avec du plastique ou matériau similaire pour empêcher l'infiltration d'eau; cependant, la prise d'air et l'orifice d'échappement ne doivent pas être recouverts.

## Montage du moteur de forage

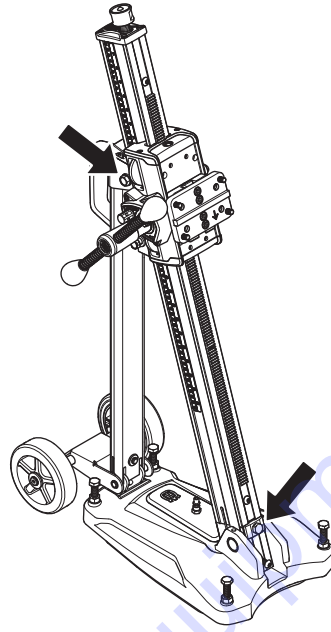


**IMPORTANT!** Toujours débrancher la prise avant le nettoyage, l'entretien et le montage.

- Retirez toujours le trépan avant de monter ou de déposer le moteur.
- Enclenchez le dispositif de blocage du boîtier de commande.
- Placer le moteur de forage sur le support rapide (A).
- Montez la fixation rapide et la foreuse dans le sillon de l'attache.
- Fixer à l'aide des vis de blocage (C).



## Régler l'inclinaison de la colonne



Desserrer les vis de blocage pour l'inclinaison de la colonne et régler l'angle de forage souhaité. Serrer les vis de blocage. Utiliser le levier d'alimentation. La colonne peut être inclinée de 0 à 60°.

L'indicateur d'angle peut être utilisé pour un réglage approximatif. Si une précision supérieure est nécessaire, il convient d'utiliser des méthodes de mesure alternatives.

# DÉMARRAGE ET ARRÊT

## Avant de démarrer la machine



**AVERTISSEMENT!** Contrôler les points suivants avant la mise en marche:

La machine doit être branchée à une prise de terre.

Contrôler que la tension secteur est conforme aux indications sur la plaque de la machine. Veiller à ce qu'aucune personne non autorisée ne se trouve dans la zone la travail.



**AVERTISSEMENT!** Contrôlez, avant de commencer à percer, que toutes les vis de fixation sont bien serrées.

Des accidents graves risquent de se produire si le bloc en béton reste sur le foret quand il est retiré du sol, du mur ou du plafond.

- **Évitez tout démarrage intempestif. Vérifiez que l'interrupteur est en position OFF avant de brancher la machine à la prise et/ou au bloc d'alimentation, de la ramasser ou de la transporter.** Le fait de garder le doigt sur l'interrupteur pendant le transport des outils ou le branchement des machines alors que l'interrupteur est en position ON expose à des accidents.
- **Retirez toute clé ou clavette de calage avant de mettre la machine à usiner sous tension.** Une clé ou une clavette reliée à une pièce mobile de la machine à usiner peut entraîner des blessures corporelles.

Effectuez les contrôles suivants:

- L'interrupteur n'est pas endommagé. Si ce n'est pas le cas, il doit être remplacé par un réparateur agréé.
- La machine et son équipement sont montés correctement:
  - Le trépan est fixé correctement.
  - Le support est monté correctement.
  - La machine est attachée correctement sur le support.
- Utiliser les équipements de protection personnelle. Voir au chapitre "Équipement de protection personnelle".
- Le refroidissement à l'eau n'est pas endommagé et est connecté à la machine.

## Forage dans le plafond



**AVERTISSEMENT!** N'utilisez jamais la plaque de sous-pression pour un perçage au plafond.

Utilisez un collecteur d'eau pour éviter l'infiltration de l'eau dans la machine. La machine doit être recouverte avec du plastique ou matériau similaire pour empêcher l'infiltration d'eau; cependant, la prise d'air et l'orifice d'échappement ne doivent pas être recouverts.



**AVERTISSEMENT!** Contrôlez que personne, à l'étage inférieur, ne risque d'être blessé par les chutes des blocs de béton.

## Démarrage

- Activez le refroidissement par eau.
- Enfoncez entièrement l'interrupteur.
- Permettre à la machine d'atteindre la vitesse maximale avant de la faire entrer en contact avec la pièce à forer.
- Abaissez d'abord le trépan à l'aide de la poignée d'alimentation.

Utiliser une pression très faible pour les quelques premiers millimètres pour empêcher le foret de dévier. Procéder ensuite normalement. Il n'est pas nécessaire d'utiliser une force excessive. Cela ne fera que ralentir le forage et surcharger le moteur.

Utiliser une pression particulièrement faible lorsque vous rencontrez des barres d'armature en acier lors du forage. Une pression élevée contre des barres d'armature enclenche le disjoncteur. Si le disjoncteur s'enclenche, retirer le foret de la pièce à forer avant de recommencer l'opération.

## Arrêt



**AVERTISSEMENT!** Le trépan continue à tourner un moment après l'arrêt du moteur. N'arrêtez pas le trépan avec les mains. Il peut en résulter des blessures.

Arrêtez la machine en appuyant sur l'interrupteur.

## Refroidissement

Laissez la machine tourner à vide une minute environ pour refroidir le moteur.

La poussière et la saleté seront également soufflées hors du moteur, ce qui garantit une durée de vie plus longue à la machine.

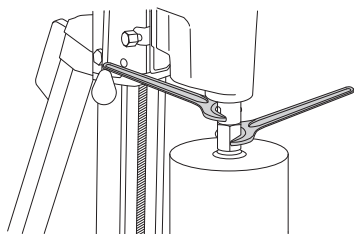
# ENTRETIEN

## Remplacement du foret



**AVERTISSEMENT! Toujours débrancher la prise avant le nettoyage, l'entretien et le montage.**

- 1 Débranchez la machine.
- 2 Préparez:
  - Le nouveau foret.
  - Clés plates.
  - De la graisse résistant à l'eau.
- 3 Retirez le foret à l'aide des clés à ouverture fixe.
- 4 Étalez de la graisse résistant à l'eau sur le filetage du nouveau foret.
- 5 Montez le foret à l'aide des clés à ouverture fixe.



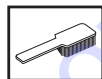
## Maintenance du moteur de forage



**AVERTISSEMENT! Les contrôles et/ou les entretiens doivent être effectués avec le moteur à l'arrêt et la prise électrique débranchée.**

Une utilisation, un entretien et une maintenance corrects de la machine permettent de prolonger considérablement sa durée de vie.

## Nettoyage



- Nettoyez la machine et les forets afin de garantir la sécurité pendant le perçage.
- Pour que le refroidissement de la machine fonctionne correctement, les ouvertures de l'air de refroidissement doivent être propres et ne pas être bouchées. Nettoyer régulièrement la machine à l'air comprimé.



**AVERTISSEMENT! Ne lavez pas la machine avec de l'eau. Elle peut en effet s'infiltrer dans le système électrique ou le moteur et ainsi endommager la machine ou provoquer un court-circuit.**

## Alimentation électrique



**AVERTISSEMENT! N'utilisez jamais de câbles endommagés car ils peuvent entraîner des blessures graves, voire mortelles.**

Contrôler que le câble et la rallonge sont entiers et en bon état. Ne pas utiliser la machine si le câble est endommagé, la confier à un atelier d'entretien agréé pour réparation.

## Réparations

**IMPORTANT! Toutes les réparations doivent être effectuées par des réparateurs agréés. Ceci permet d'éviter que les opérateurs ne soient exposés à des risques importants.**

## Disque d'embrayage

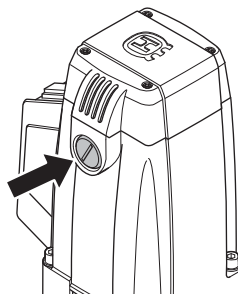
Si le couple transmis est diminué, il convient d'ajuster le disque d'embrayage. Confiez-le à un atelier de réparation agréé.

## Remplacement des balais de charbon

Les balais de charbon doivent être démontés et contrôlés régulièrement. Chaque semaine en cas d'utilisation quotidienne de la machine ou à intervalle plus long si la machine est utilisée moins souvent. La surface d'usure doit être lisse et intacte.

Les deux balais de charbon doivent toujours être remplacés au même moment, mais un à la fois. Procédez comme suit:

- 1 Retirez le couvercle des balais de charbon à l'aide d'un tournevis à lame plate et large.



- 2 Retirez prudemment les balais de charbon. S'il reste moins de 6 mm sur les balais, remplacez-les.
- 3 Insérez des charbons neufs.
- 4 Revissez les couvercles des balais de charbon.
- 5 Laissez tourner la machine à vide pendant 10 minutes pour roder les nouveaux charbons.

## Entretien quotidien

- 1 S'assurer que toutes les vis et tous les écrous sont bien serrés.
- 2 Contrôler que l'unité de l'interrupteur fonctionne en toute sécurité.
- 3 Nettoyer l'extérieur de la machine.
- 4 Contrôler et nettoyer les ouvertures de l'air de refroidissement.
- 5 Contrôler que le câble et la rallonge sont entiers et en bon état.

# ENTRETIEN

## Entretien du support



**AVERTISSEMENT!** Les contrôles et/ou les entretiens doivent être effectués avec le moteur à l'arrêt et la prise électrique débranchée.

## Nettoyage et graissage

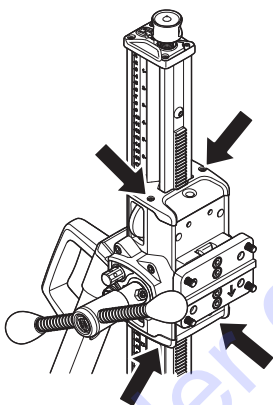
**IMPORTANT!** Retirez le moteur de forage. Pour l'entretien du moteur de forage, reportez-vous au chapitre Maintenance du moteur de forage.

- Pour qu'il continue à fonctionner correctement, il est essentiel que le support de forage soit toujours propre.
- Le support doit être nettoyé avec de l'air comprimé, puis séché.
- Graissez les éléments mobiles du support. Utilisez une graisse afin d'éliminer tout risque de corrosion sur les surfaces de contact.

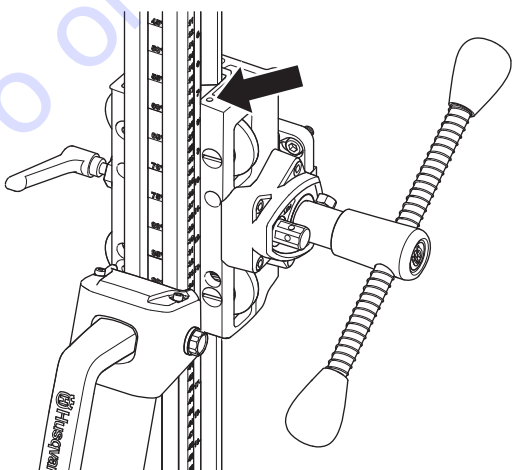
## Réglage du boîtier de commande

S'il y a du jeu entre la colonne et le boîtier de commande, il convient de l'ajuster.

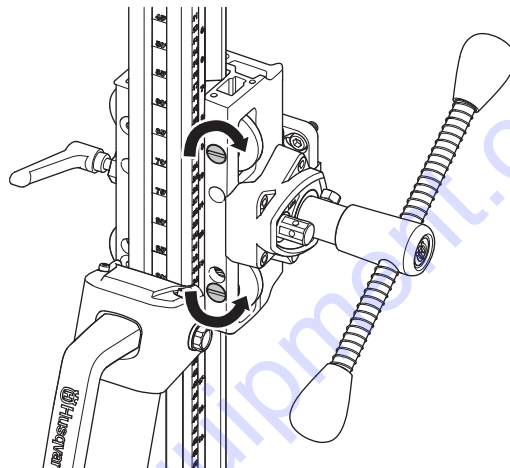
- Retirer les carters du chariot en plastique supérieur et inférieur.



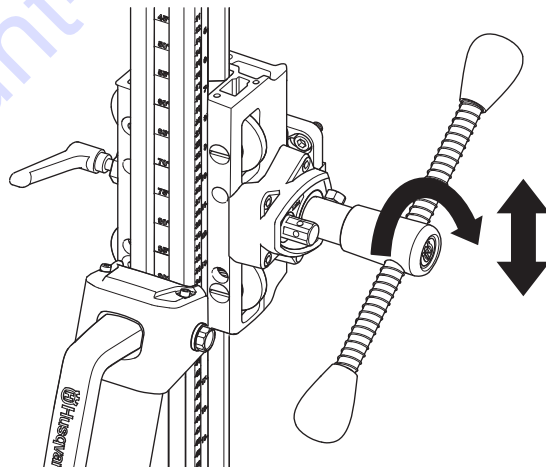
- Desserrer le jeu de vis fixant les axes du rouleau de guidage.



- Commencer avec le galet de guidage supérieur. Utiliser un tournevis plat et tourner dans le sens des aiguilles d'une montre pour le guider à proximité de la colonne.
- Serrer le jeu de vis pour fixer le rouleau de guidage.
- Ajuster le galet inférieur en vissant dans le sens inverse des aiguilles d'une montre pour le guider à proximité de la colonne.



- Serrer le jeu de vis pour fixer le rouleau de guidage.
- Utiliser le levier de commande pour voir si le boîtier bouge en douceur le long de la colonne. Dans le cas contraire, régler de nouveau les galets.



- Placer les carters du chariot en plastique inférieur et supérieur.

## Réparations

**IMPORTANT!** Toutes les réparations doivent être effectuées par des réparateurs agréés. Ceci permet d'éviter que les opérateurs ne soient exposés à des risques importants.

## Entretien quotidien

- 1 S'assurer que toutes les vis et tous les écrous sont bien serrés.
- 2 Nettoyer l'extérieur de la machine.
- 3 Vérifier que le bras de manivelle peut être déplacé sans résistance.
- 4 Vérifier que l'embrayage bouge facilement et n'émet aucun bruit.
- 5 Vérifier que la colonne ne présente aucune usure ou n'est pas endommagée.
- 6 Vérifier que le boîtier de commande peut être bougé facilement et ne saccade pas le long de la colonne de bâti.

# ENTRETIEN

## Plan de recherche de pannes

Problème	Étapes à réaliser sur place	Cause probable	Solution
Le forage est exceptionnellement lent.	Vérifier le foret.	Le foret est usé.	Remplacer le foret.
		Le foret est encrassé de copeaux.	Nettoyer le foret à l'aide d'une brosse métallique et augmenter la pression d'eau.
		Le diamant est arrondi.	Utiliser un foret plus souple. Augmenter la force sur la poignée.
	Vérifier la présence de poudre métallique dans les eaux usées.	La foreuse fore dans des barres d'armature.	Diminuer la pression sur la poignée pour éviter que le disjoncteur s'enclenche.
Le foret est coincé.	Couper la foreuse.	De la pierre ou une barre d'acier s'est coincée entre l'âme et le foret.	A l'aide d'une clé à molette, tourner le foret dans le sens des aiguilles d'une montre pour le libérer tout tirant la poignée vers l'arrière. (Le tourner dans le sens inverse des aiguilles d'une montre peut dévisser le foret du mors.)
		Le socle est instable au cours de l'opération de forage.	Ajuster le socle et le serrer de façon sûre.
		Le collier de serrage présente trop de jeu.	Régalez le jeu du collier de serrage correctement.
		Le diamètre externe du foret est égal à celui du mors.	Remplacer le foret.
Le mors est usé.	Couper la foreuse.	Le collier de serrage présente trop de jeu.	Régalez le jeu du collier de serrage correctement.
		Le foret, le mors ou le socle présentent du jeu.	Serrer fermement.
		Le foret est déformé.	Remplacer le foret.
		Mauvaise évacuation des copeaux	Augmenter la pression et le volume d'eau.

---

# CARACTÉRISTIQUES TECHNIQUES

---

## Moteur de forage

Moteur électrique	Monophasé
Tension nominale, V	100-120
Puissance nominale, W	2400

### Courant nominal, A

100-120 V	20A
-----------	-----

Poids, kg/lbs	5,9/13
---------------	--------

### Régime de broche, à vide, tr/min

Position 1	390
Position 2	890

### Foret

Diamètre max. de forage, mm/pouces	250/10
Filetage de l'arbre, extérieur	1 1/4" 7 UNC

Raccord de l'eau	G 1/4"
------------------	--------

## Bâti de forage

Hauteur, mm/pouces	1052/41,4
Largeur, mm/pouces	266/10,5
Profondeur, mm/pouces	545/21,5

Poids, kg/lbs	14,5/32
---------------	---------

Course, mm/pouces	686/27
Angle du pilier de forage	0-60°



# ACLARACION DE LOS SIMBOLOS

## Símbolos en la máquina:

¡ATENCIÓN! La máquina, si se utiliza de forma errónea o descuidada, puede ser una herramienta peligrosa que puede causar daños graves e incluso la muerte al usuario y a otras personas.



Lea detenidamente el manual de instrucciones y asegúrese de entender su contenido antes de utilizar la máquina.



Utilice siempre:

- Casco protector homologado
- Protectores auriculares homologados
- Gafas protectoras o visor
- Máscara respiratoria



Este producto cumple con la directiva CE vigente.



**Etiquetado ecológico.** El símbolo en el producto o en su envase indica que no se puede tratar este producto como desperdicio doméstico. Deberá por lo tanto depositarse en un centro de recogida adecuado para el reciclado de equipos eléctricos y electrónicos.



Haciendo que este producto sea manipulado adecuadamente, se ayuda a evitar consecuencias negativas potenciales para el medio ambiente y las personas, lo que puede ocurrir con la manipulación inadecuada como residuos del producto.

Para obtener información más detallada sobre el reciclado de este producto, contacte con la oficina municipal local, con el servicio de eliminación de desperdicios domésticos o con la tienda donde compró el producto.

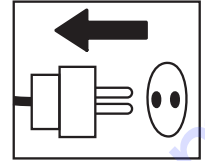
Al perforar en techo, comprobar que no puede entrar agua en la máquina. Utilizar un colector de agua adecuado y cubrir la máquina con un plástico, pero sin tapar las bocas de entrada y salida de aire.



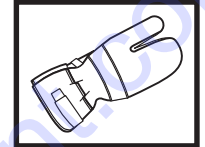
**Los demás símbolos/etiquetas que aparecen en la máquina corresponden a requisitos de homologación específicos en determinados mercados.**

## Símbolos en el manual de instrucciones:

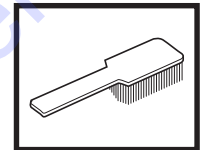
El control y/o mantenimiento de la máquina debe hacerse con el motor parado y el enchufe desenchufado.



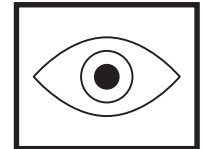
Utilice siempre guantes protectores homologados.



La máquina debe limpiarse regularmente.



Control visual.



Debe utilizarse gafas protectoras o visor.



# INDICE

## Índice

### ACLARACION DE LOS SIMBOLOS

Símbolos en la máquina: .....	34
Símbolos en el manual de instrucciones: .....	34

### INDICE

Índice .....	35
--------------	----

### ¿QUE ES QUE?

Componentes de la taladradora .....	36
-------------------------------------	----

### ¿QUE ES QUE?

Componentes del soporte .....	37
-------------------------------	----

### INSTRUCCIONES DE SEGURIDAD

Medidas a tomar antes de utilizar una taladradora nueva .....	38
Equipo de protección personal .....	38
Equipo de seguridad de la máquina .....	39
Instrucciones generales de seguridad .....	39

### PRESENTACIÓN

Motor de taladradora y soporte .....	41
Soporte .....	41
Motor de taladradora .....	41

### MONTAJE

Instalación del conjunto del eje con ruedas .....	42
Sujeción de la base .....	42
Montaje del motor de la perforadora .....	43
Ajuste de la inclinación de la columna .....	43

### ARRANQUE Y PARADA

Antes de arrancar .....	44
Arranque .....	44
Parada .....	44

### MANTENIMIENTO

Cambio de broca .....	45
Mantenimiento del motor de taladradora .....	45
Mantenimiento del soporte .....	46
Tabla de localización de fallos .....	47

### DATOS TECNICOS

Motor de taladradora .....	48
Base del taladro .....	48

### DECLARACIÓN DE GARANTÍA PARA EE. UU.

POLÍTICA DE GARANTÍA .....	49
EQUIPO .....	49

## Antes de arrancar, observe lo siguiente:



¡ATENCIÓN! El material que se corta a menudo contiene sílice y, al cortarlo en SECO particularmente, desprende polvo. La sílice es un componente básico de la arena, la arcilla para ladrillos, del cuarzo, del granito, y de varios otros minerales y rocas. La exposición a una cantidad excesiva de polvo de sílice puede causar:

Enfermedades respiratorias (que afectan su habilidad para respirar) como bronquitis crónicas, silicosis y fibrosis pulmonares por exposición a la sílice. Estas enfermedades pueden ser mortales.

Irritación y erupción de la piel.

Cáncer, según el Programa Nacional de Toxicología (NTP) y el Centro Internacional de Investigaciones sobre el Cáncer (IARC).

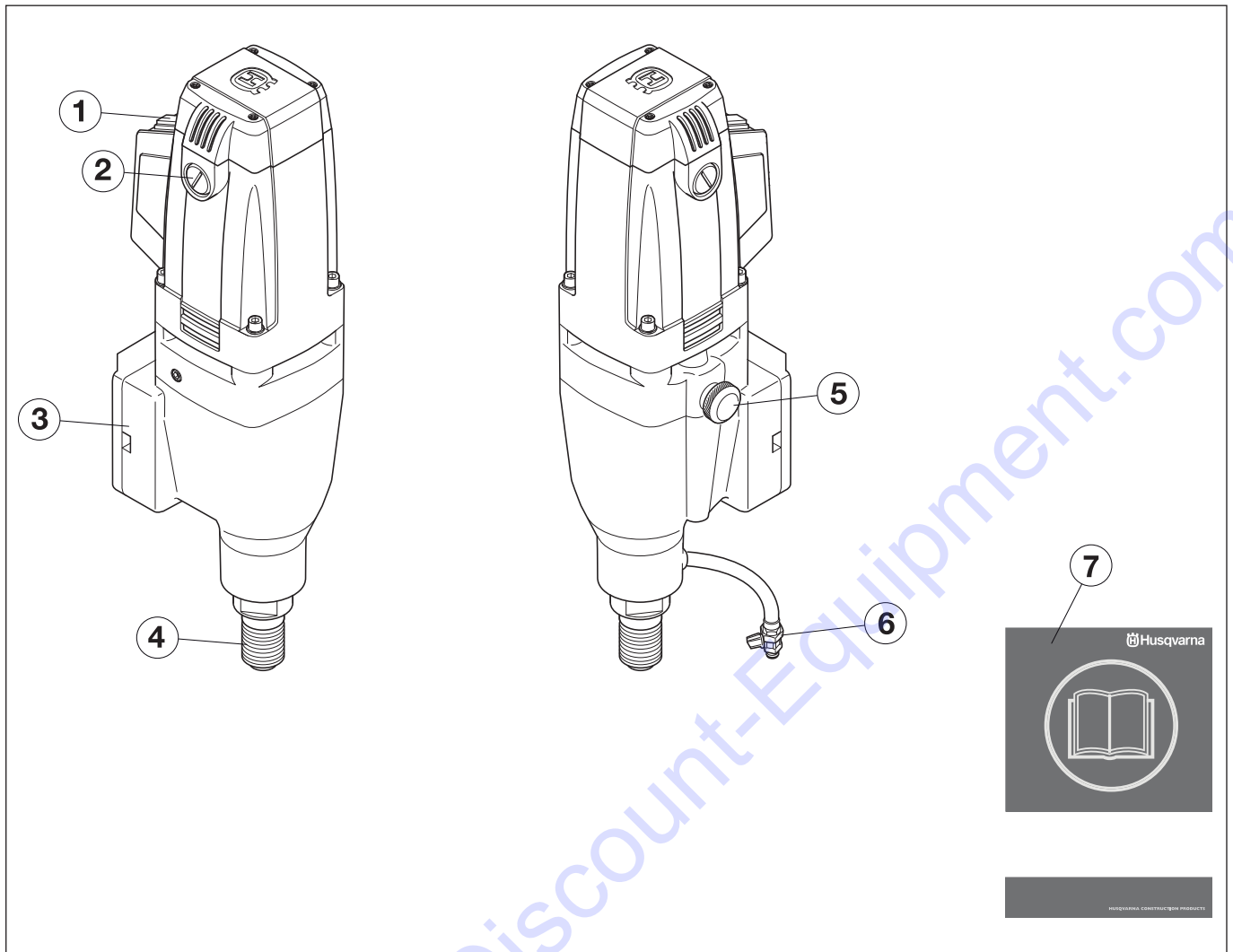
Tome medidas de precaución:

Evite el contacto de la piel con el polvo, vapor y humo, y su inhalación.

Use, y asegúrese de que quienes lo rodean usen, indumentaria de protección del aparato respiratorio como las mascarillas antipolvo diseñadas para filtrar partículas microscópicas. (Consulte las normas de la OSHA: 29 CFR Parte 1910.1200.)

Corte en húmedo, en la medida de lo posible, para minimizar la cantidad de polvo.

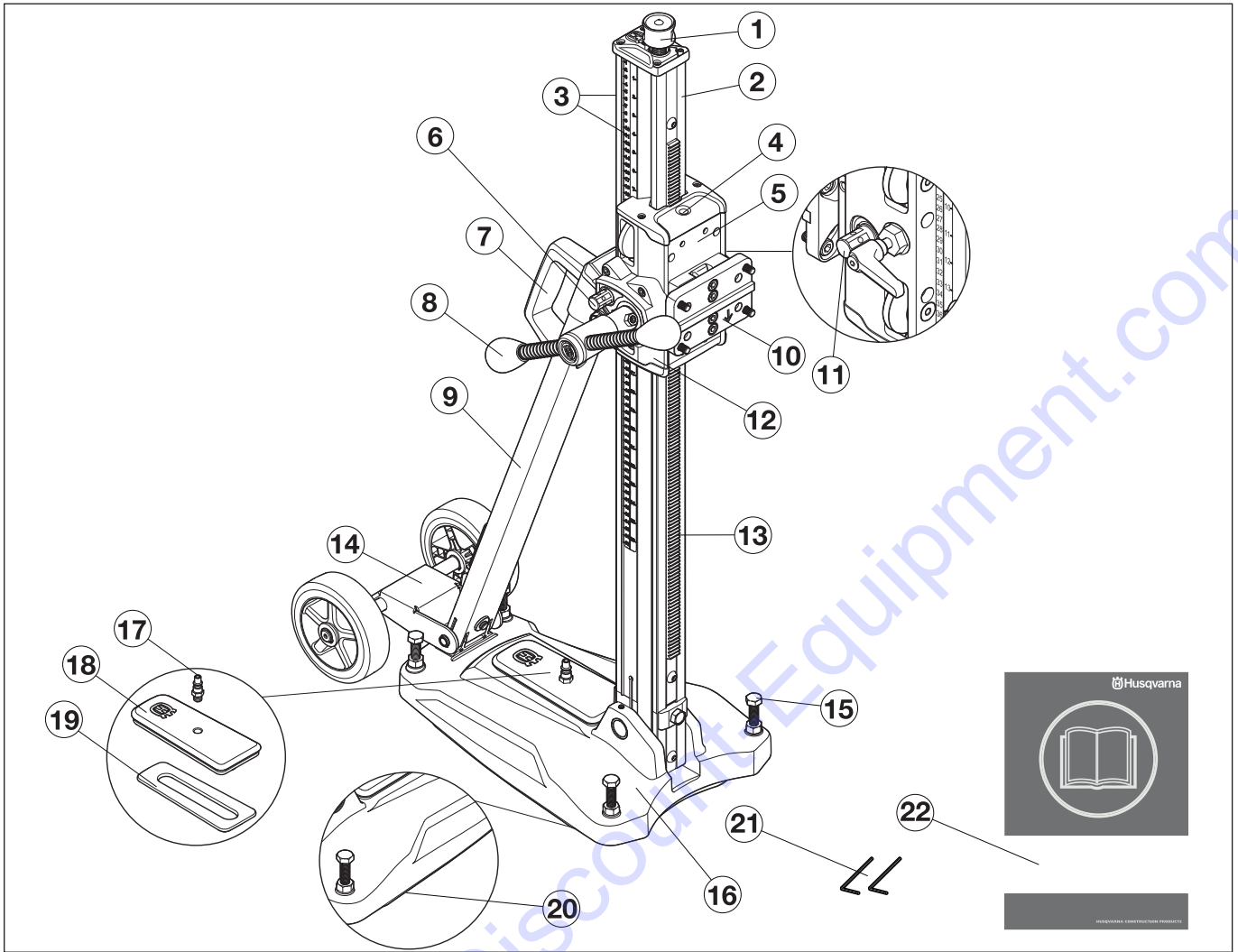
# ¿QUE ES QUE?



## Componentes de la taladradora

- |                          |                           |
|--------------------------|---------------------------|
| 1 Interruptor            | 5 Selector de velocidad   |
| 2 Tapa de escobillas     | 6 Conexión de agua        |
| 3 Sujeción para la base  | 7 Manual de instrucciones |
| 4 Husillo de taladradora |                           |

# ¿QUE ES QUE?



## Componentes del soporte

- |  |  |
|--|--|
| 1 Tornillo de compresión                                 | 12 Caja de engranajes                        |
| 2 Columna de perforación                                 | 13 Cremallera                                |
| 3 Profundidad y escala de inclinación                    | 14 Conjunto de eje con ruedas (extraíble)    |
| 4 Indicador de nivel vertical y horizontal               | 15 Tornillos de ajuste                       |
| 5 Caja de alimentación                                   | 16 Placa base con función de vacío integrada |
| 6 Tornillo de fijación, columna de perforación inclinada | 17 Acoplamiento rápido para presión de vacío |
| 7 Mango de transporte                                    | 18 Cubierta de vacío                         |
| 8 Palanca de alimentación                                | 19 Junta, cubierta de vacío                  |
| 9 Soporte en ángulo                                      | 20 Junta, succión de vacío                   |
| 10 Montaje rápido  | 21 Llave Allen (3 mm, 4 mm)                  |
| 11 Bloqueo de la caja de alimentación                    | 22 Manual de instrucciones                   |

# INSTRUCCIONES DE SEGURIDAD

## Medidas a tomar antes de utilizar una taladradora nueva

- No utilizar la taladradora sin antes haber leído y comprendido el contenido de este manual de instrucciones.
- Esta máquina está diseñada para y destinada a la perforación de hormigón, ladrillo y diferentes materiales pedregosos. Cualquier otra aplicación es errónea.
- La máquina está destinada al uso por operadores experimentados, en aplicaciones industriales.

## Emplee siempre el sentido común

Es imposible abarcar todas las situaciones imaginables que se pueden producir al utilizar una taladradora. Proceder siempre con cuidado y emplear el sentido común. El usuario debe evitar usar la máquina en aplicaciones para las que no se considere suficientemente calificado. Si después de leer estas instrucciones todavía hay inseguridad en cuanto al procedimiento de uso, consultar con un experto antes de proseguir. No dudar en ponerse en contacto con el distribuidor o con el fabricante si hay alguna duda en cuanto al empleo de la taladradora. Estamos a su disposición para dar consejos que ayuden a emplear la taladradora de forma mejor y más segura.

No dude en ponerse en contacto con su distribuidor si tiene preguntas acerca del uso de la máquina. Estaremos encantados de poder aconsejarle y ayudarle a utilizar la máquina de manera eficaz y segura.

Encargar al distribuidor de Husqvarna la revisión regular de la taladradora y la realización de los ajustes y reparaciones necesarios.

Husqvarna Construction Products se esfuerza constantemente por mejorar la construcción de sus productos. Por consiguiente, Husqvarna se reserva el derecho a introducir modificaciones de diseño sin previo aviso y sin compromisos ulteriores.

Toda la información y todos los datos contenidos en este manual de instrucciones son vigentes en la fecha de impresión del manual.



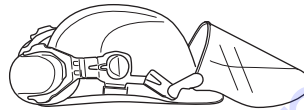
**¡ATENCIÓN! No está permitido modificar el diseño original de la máquina, por ningún motivo, sin la autorización del fabricante. Utilice siempre accesorios originales. Las modificaciones y/o el uso de accesorios no autorizados comportan riesgo de daños personales graves y peligro de muerte para el usuario y otras personas.**

## Equipo de protección personal

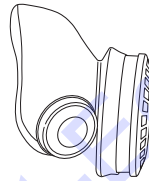


**¡ATENCIÓN! Para trabajar con la máquina debe utilizarse un equipo de protección personal homologado. El equipo de protección personal no elimina el riesgo de lesiones, pero reduce su efecto en caso de accidente. Pida a su distribuidor que le asesore en la elección del equipo.**

- Casco protector
- Protectores auriculares
- Gafas protectoras o visor



- Máscara respiratoria



- Guantes resistentes de agarre seguro.



- Prendas de vestir ceñidas, resistentes y cómodas que permitan una libertad de movimientos total.



- Botas con puntera de acero y suela antideslizante.



- Tenga siempre a mano el equipo de primeros auxilios.



# INSTRUCCIONES DE SEGURIDAD

## Equipo de seguridad de la máquina

En este capítulo se describen los componentes de seguridad de la máquina, su función y el modo de efectuar el control y el mantenimiento para garantizar un funcionamiento óptimo. En cuanto a la ubicación de estos componentes en su máquina, vea el capítulo ¡Qué es qué?.

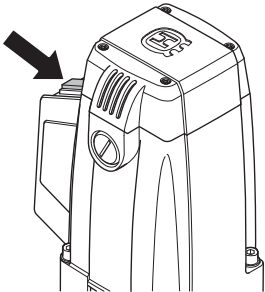


**¡ATENCIÓN! Nunca utilice una máquina con componentes de seguridad defectuosos. Siga las instrucciones de control, mantenimiento y servicio indicadas en este capítulo.**

**Todos los trabajos de servicio y reparación de la máquina requieren una formación especial. Esto es especialmente importante para el equipo de seguridad de la máquina. Si la máquina no pasa alguno de los controles indicados a continuación, acuda a su taller de servicio local. La compra de alguno de nuestros productos le garantiza que puede recibir un mantenimiento y servicio profesional. Si no ha adquirido la máquina en una de nuestras tiendas especializadas con servicio, solicite información sobre el taller de servicio más cercano.**

## Interruptor

El interruptor se usa para arrancar y parar la máquina.



### Control del interruptor

- Encienda la máquina con el interruptor de encendido / apagado.
- Accione el interruptor de encendido / apagado para apagar la máquina.
- Un interruptor defectuoso debe ser cambiado por un taller de servicio oficial.

## Instrucciones generales de seguridad



**¡ATENCIÓN! Lea todas las advertencias e instrucciones de seguridad. No atender a estas advertencias e instrucciones puede provocar descargas eléctricas, incendios y lesiones graves.**

## Seguridad en el área de trabajo

- **Mantenga el área de trabajo limpia y bien iluminada.** Las zonas abarrotadas de cosas u oscuras favorecen los accidentes.
- **No maneje herramientas eléctricas en ambientes explosivos como aquellos en los que hay líquidos, gases o polvo inflamables.** Las herramientas eléctricas producen chispas que pueden inflamar el polvo o los vapores.
- Las personas y los animales pueden distraer y hacer perder el control de la máquina. Por consiguiente, el operador debe estar siempre concentrado en su trabajo.
- No trabaje en condiciones atmosféricas desfavorables como niebla, lluvia intensa, tempestad, frío intenso, etc. Trabajar con mal tiempo es cansador y puede crear condiciones peligrosas, por ejemplo suelo resbaladizo.
- Antes de comenzar a trabajar con la máquina, controle siempre que el lugar esté libre y que los pies estén bien afirmados al terreno. Controle posibles obstáculos en caso de movimientos repentinos. Asegúrese de que no haya elementos que puedan caer y provocar daños al trabajar con la máquina.
- Controle siempre la parte posterior de la superficie en la que sale la broca al penetrar. Impedir el acceso cercando la zona de trabajo y procurar que no haya riesgo de daños personales o materiales.

# INSTRUCCIONES DE SEGURIDAD

## Seguridad eléctrica



**¡ATENCIÓN! Existe siempre riesgo de sacudidas eléctricas al usar máquinas eléctricas. No usar la máquina en condiciones climáticas desfavorables y evitar el contacto del cuerpo con pararrayos y objetos metálicos. Seguir siempre las instrucciones del manual para evitar daños.**



**¡ATENCIÓN! No lave la máquina con agua, ya que puede penetrar en el sistema eléctrico o en el motor y causar daños en la máquina o un cortocircuito.**

- La máquina se debe enchufar a un enchufe con masa.
- Compruebe que la tensión de red concuerda con la que se indica en la placa de características de la máquina.
- Compruebe que el cable y el cable de empalme está intacto. Utilizar un cable de alargue para uso a la intemperie.
- Si se daña el cable, no utilice la máquina. Llévela a un taller de servicio oficial para reparar.
- Un cable de alargue no debe usarse enrollado porque hay riesgo de sobrecalentamiento.
- No lleve nunca la máquina agarrando el cable y no tire del cable para desenchufarla.
- Mantenga todos los cables y cables de empalme apartados de agua, aceite y cantos agudos. Proceda con cuidado para evitar que el cable se apriete en puertas, vallas o similares. Hay riesgo de cargar objetos con electricidad.
- No exponga la herramienta eléctrica a una humedad mayor que la del sistema hidráulico. No exponga la herramienta eléctrica a la lluvia. El riesgo de recibir descargas eléctricas aumentará si penetra agua en la herramienta eléctrica.
- Al emplear la máquina, hágalo con el cable detrás suyo para evitar dañarlo.

## Seguridad personal



**¡ATENCIÓN! Existe siempre riesgo de accidentes por apriete al trabajar con aparatos con piezas móviles. Usar guantes protectores para evitar lesiones.**

- Utilice el equipo de protección personal. Vea las instrucciones bajo el título "Equipo de protección personal".
- Nunca utilice la máquina si está cansado, si ha ingerido alcohol o si toma medicamentos que puedan afectarle la vista, su capacidad de discernimiento o el control del cuerpo.
- Evite el encendido accidental de la herramienta. Asegúrese de que el interruptor está en la posición de apagado antes de conectar la máquina a la fuente de alimentación. Transportar herramientas eléctricas con el dedo puesto sobre el interruptor o encenderlas con el interruptor en la posición de encendido puede provocar accidentes.

- Quite todas las clavijas de ajuste o llaves de tuercas antes de encender la herramienta eléctrica. Una llave de tuercas o clavija de ajuste que se ha dejado colocada en una pieza giratoria de la herramienta eléctrica puede causar lesiones.
- Nunca deje que terceros utilicen la máquina sin asegurarse primero de que hayan entendido el contenido de este manual de instrucciones.
- Tener en cuenta que las ropas, el pelo largo y las joyas pueden atascarse en piezas móviles.
- Mantenerse apartado de la broca cuando el motor está en marcha.
- Comprobar que en la zona que se va a perforar no haya tuberías ni cables eléctricos instalados.
- No abandonar nunca la máquina sin vigilar, con el motor en marcha.
- Desenchufar siempre el contacto para paradas prolongadas del trabajo.
- Un operador nunca debe trabajar solo; siempre debe haber otra(s) persona(s) cerca. Así, además de tener ayuda para montar la máquina, también puede recibirse asistencia en caso de accidente.

## Uso y cuidado

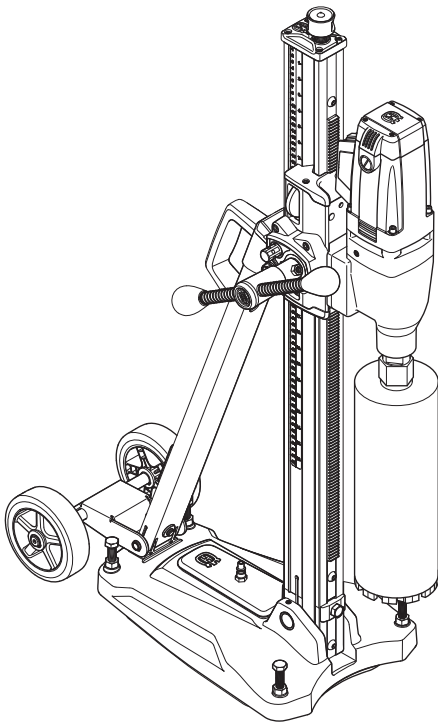
- No utilice nunca una máquina defectuosa. Lleve a cabo las comprobaciones de seguridad y siga las instrucciones de mantenimiento y servicio de este manual. Algunas medidas de mantenimiento y servicio deben ser efectuadas por especialistas formados y cualificados. Consulte las instrucciones del apartado Mantenimiento.
- El control y/o mantenimiento de la máquina debe hacerse con el motor parado y el enchufe desenchufado.
- **No utilice la herramienta eléctrica si el interruptor no funciona.** Las herramientas que no se puedan controlar con el interruptor son peligrosas y deben repararse.
- No utilice nunca una máquina que haya sido modificada de modo que ya no coincida con la configuración original.
- No sobrecargar la máquina. La sobrecarga puede dañar la máquina.
- Mantener las herramientas afiladas y limpias para que el trabajo sea más seguro.
- Mantener todas las piezas en perfecto estado y comprobar que todos los elementos de fijación estén bien apretados.

## Transporte y almacenamiento

- Para proteger la taladradora y las brocas contra daños, no almacenar ni transportar la taladradora con la broca montada.
- Guardar la taladradora en un espacio cerrado con llave para que sea inaccesible a niños y personas no autorizadas.
- Guardar la taladradora y el soporte en un lugar seco y con temperatura sobre cero.

# PRESENTACIÓN

## Motor de taladradora y soporte

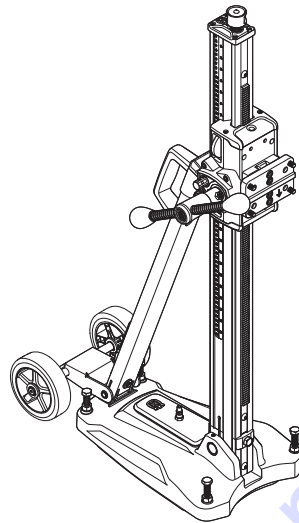


Esperamos que su máquina le proporcione plena satisfacción y le sirva de ayuda por mucho tiempo en adelante. Tenga en cuenta que este manual de instrucciones es un documento de valor. Siguiendo sus instrucciones (de uso, servicio, mantenimiento, etcétera) puede alargar considerablemente la vida útil de la máquina e incrementar su valor de reventa. Si vende su máquina, entregue el manual de instrucciones al nuevo propietario.

La adquisición de alguno de nuestros productos da acceso a asistencia profesional con reparaciones y servicio. Si la máquina no fue adquirida en un distribuidor oficial, preguntar en la tienda de compra la dirección del taller de servicio más cercano.

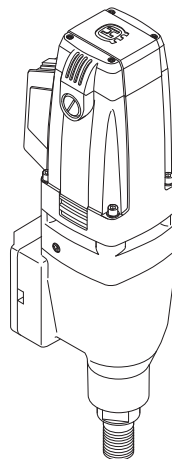
Husqvarna Construction Products se esfuerza constantemente por mejorar la construcción de sus productos. Por consiguiente, Husqvarna se reserva el derecho a introducir modificaciones de diseño sin previo aviso y sin compromisos ulteriores.

## Soporte



- El soporte es para taladrar techos, paredes y pisos.
- La base del taladro está equipada con una placa de conexión rápida para el motor del taladro.
- La placa base es de aluminio y, por tanto, muy ligera. Tiene integrada una placa de vacío.
- El conjunto del eje con ruedas puede desmontarse.
- La columna puede inclinarse 0-60°.
- La transmisión de la caja de alimentación puede ajustarse. El valor máximo es 2,5:1 y el mínimo 1:1.
- La palanca de alimentación puede utilizarse para ajustar los tornillos reguladores de la placa de apoyo y fijar la inclinación deseada de la columna.

## Motor de taladradora



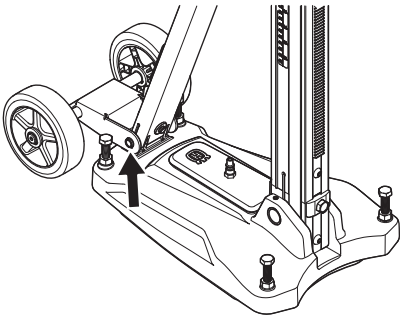
- La DMS 240 es una taladradora eléctrica destinada a perforar agujeros en hormigón, ladrillo y diferentes materiales pedregosos.
- La taladradora es de diseño modular y fácil de montar.
- La máquina está diseñada para perforación con soporte.
- La máquina tiene dos velocidades.
- La máquina tiene doble aislamiento.
- Si la máquina es sometida a una carga grande o si la broca se atasca, la protección contra sobrecarga corta la corriente.
- La máquina es refrigerada por agua.



# MONTAJE

## Instalación del conjunto del eje con ruedas

Instale en conjunto del eje con ruedas en la parte posterior de la placa inferior y apriete los tornillos.



## Sujeción de la base

Hay tres maneras de sujetar la base:

- Sujetarla con la placa de vacío
- Sujetarla con un extensor o un anclaje
- Sujetarla con una varilla roscada, una arandela y una tuerca de seguridad

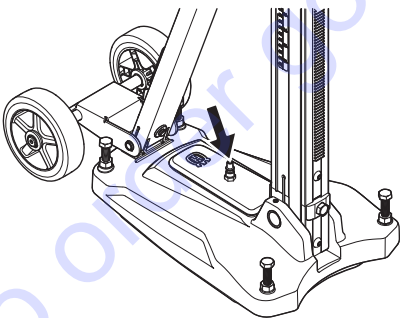
## Sujetarla con la placa de vacío



**¡ATENCIÓN!** La placa de vacío no se debe utilizar para taladrar techos o paredes. El uso incorrecto o negligente puede ocasionar daños graves, e incluso mortales.

Si usa la placa de succión, asegúrese de que la superficie de apoyo no sea porosa y que no pueda aflojarse. Comprobar que la bomba de vacío tiene capacidad para fijar por aspiración la placa de vacío.

- Conecte la bomba de vacío al acoplamiento rápido para la presión de vacío en la placa base.

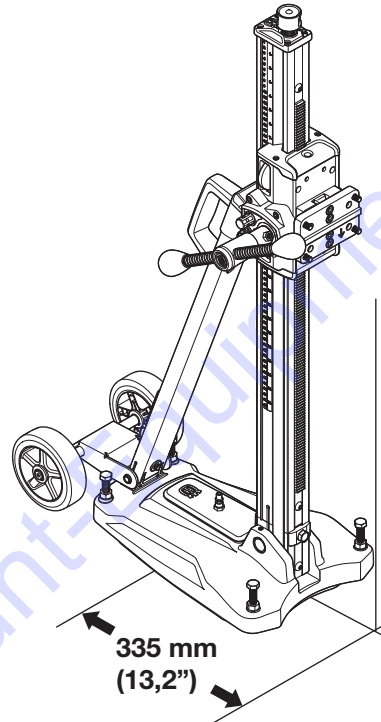


- Coloque la placa inferior en la posición deseada.
- Encienda la bomba de vacío. Deberá alcanzarse una presión mínima de 635 mm Hg (25 in Hg) para sellar adecuadamente la placa base sobre la superficie.

## Sujetarla con un extensor o un anclaje

**¡IMPORTANTE!** Cuando taladre techos, solo deben utilizarse extensores y anclas adecuados para superficies expuestas a fuerzas de tensión.

Utilice únicamente un extensor o anclaje adecuado para la aplicación actual.



- Taladre un orificio para el extensor / anclaje a una distancia de 335 mm (13,2 in) del centro del orificio.
- Fijar la placa base.  
Comprobar cuidadosamente que el expansor está bien fijado.
- La placa inferior puede ajustarse a la superficie mediante los tornillos de ajuste. Utilice la palanca de alimentación.

## Sujetarla con una varilla roscada, una arandela y una tuerca de seguridad

Si la superficie de montaje no es adecuada para utilizar el taladro en tejados o paredes, la placa base puede sujetarse mediante una varilla roscada, que se montará en la parte posterior con una arandela y una tuerca de seguridad.

## Perforación en techos



**¡ATENCIÓN!** Utilizar un colector de agua para impedir que entre agua en la máquina. La máquina debe cubrirse con un plástico o similar para impedir que entre agua en ella, pero no deben taparse las bocas de entrada y salida de aire.

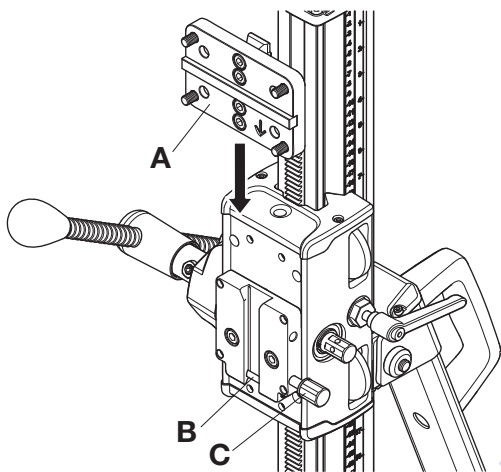
# MONTAJE

## Montaje del motor de la perforadora

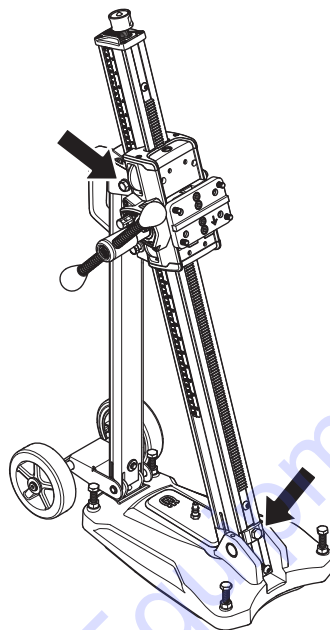


**¡IMPORTANTE!** Desenchufe siempre el enchufe antes de efectuar trabajos de limpieza, mantenimiento o montaje de la máquina.

- Retire siempre la broca antes de montar o desmontar el motor.
- Cierre el bloqueo de la caja de alimentación.
- Cierre el bloqueo de la caja de alimentación.
- Monte el montaje rápido y la perforadora en el surco de la abrazadera de fijación.
- Sujételo con los tornillos de seguridad (C).



## Ajuste de la inclinación de la columna



Afloje los tornillos de seguridad de la inclinación de la columna y ajuste como desee el ángulo de inclinación del taladro. Apriete los tornillos de seguridad. Utilice la palanca de alimentación. La columna puede inclinarse 0-60°.

El indicador de ángulo permite un ajuste aproximado. Si necesita una mayor precisión, deberá utilizar métodos de medición alternativos.

# ARRANQUE Y PARADA

## Antes de arrancar



**¡ATENCIÓN!** Antes de arrancar, observe lo siguiente:

La máquina se debe enchufar a un enchufe con masa.

Compruebe que la tensión de red concuerda con la que se indica en la placa de características de la máquina. Asegúrese de que no haya terceros desautorizados en la zona de trabajo.



**¡ATENCIÓN!** Antes de iniciar la perforación, comprobar que todos los tornillos de fijación están bien apretados.

Hay riesgo de accidentes graves si el núcleo de perforación de hormigón permanece en la broca al sacar el motor de taladradora / la broca del suelo, la pared o el techo.

- **Evite el encendido accidental de la herramienta. Asegúrese de que el interruptor está en la posición de apagado antes de conectar la máquina a la fuente de alimentación y/o la batería, cogerla o transportarla.** Transportar herramientas eléctricas con el dedo puesto sobre el interruptor o encenderlas con el interruptor en la posición de encendido puede provocar accidentes.
- **Quite todas las clavijas de ajuste o llaves de tuercas antes de encender la herramienta eléctrica.** Una llave de tuercas o clavija de ajuste que se ha dejado colocada en una pieza giratoria de la herramienta eléctrica puede causar lesiones.

Comprobar que:

- El interruptor esté intacto. Si no está intacto, debe cambiarlo un técnico autorizado.
- La máquina y sus equipos están correctamente montados:
  - La broca está bien fijada.
  - El soporte está bien montado.
  - La máquina está fijada en el soporte de forma adecuada.
- Utilice el equipo de protección personal. Vea las instrucciones bajo el título "Equipo de protección personal".
- La refrigeración por agua se encuentra conectada a la máquina y no está dañada.

## Perforación en techos



**¡ATENCIÓN!** La placa de vacío no se debe utilizar nunca para perforar techos.

Utilizar un colector de agua para impedir que entre agua en la máquina. La máquina debe cubrirse con un plástico o similar para impedir que entre agua en ella, pero no deben taparse las bocas de entrada y salida de aire.



**¡ATENCIÓN!** Comprobar que en el piso inferior no hay personas que puedan ser dañadas por la caída de núcleos de perforación de hormigón.

## Arranque

- Activar la refrigeración por agua.
- Presionar completamente el interruptor.
- Deje que la máquina alcance la velocidad máxima antes de ponerla en contacto con la pieza de trabajo.
- Empezar bajando la broca con la empuñadura de alimentador.

Presione con mucha suavidad en los primeros milímetros para evitar que la broca se desplace. A continuación, proceda con normalidad. No es necesario emplear demasiada fuerza. Esto solo conseguiría ralentizar el taladro y sobrecargar el motor.

Aplique una presión particularmente ligera cuando se encuentre con varillas de refuerzo de acero. Si aplica demasiada presión sobre las varillas de refuerzo, el cortacircuito se activará. Si el cortacircuitos se activa, aparte la broca de la pieza de trabajo antes de reiniciar la máquina.

## Parada



**¡ATENCIÓN!** La broca continúa girando unos instantes después de parar el motor. No detener la broca con las manos. De hacerlo, hay riesgo de daños personales.

Parar la máquina pulsando el interruptor.

## Refrigeración

Hacer funcionar la máquina sin carga durante unos minutos para enfriar el motor.

De esta manera, también se limpiará el polvo y la suciedad del motor, con lo que se garantiza una larga vida útil de la máquina.

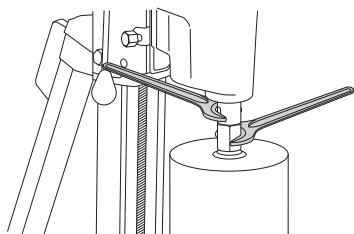
# MANTENIMIENTO

## Cambio de broca



**¡ATENCIÓN! Desenchufe siempre el enchufe antes de efectuar trabajos de limpieza, mantenimiento o montaje de la máquina.**

- 1 Desenchufar la máquina.
- 2 Preparar:
  - La broca nueva.
  - Llaves de tuercas.
  - Grasa hidrófuga.
- 3 Desmontar la broca vieja con las llaves fijas.
- 4 Aplicar grasa hidrófuga en la rosca de la broca nueva.
- 5 Montar la broca con las llaves fijas.



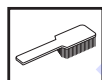
## Mantenimiento del motor de taladradora



**¡ATENCIÓN! El control y/o mantenimiento de la máquina debe hacerse con el motor parado y el enchufe desenchufado.**

La vida útil de la máquina se alarga considerablemente si se utiliza, cuida y mantiene correctamente.

## Limpieza



- Mantener limpia la máquina y la broca para que la perforación se pueda hacer de forma segura.
- Para que la máquina tenga siempre una buena refrigeración, las aberturas de paso del aire refrigerante deben mantenerse libres y limpias. Limpie regularmente la máquina con aire comprimido.



**¡ATENCIÓN! No lave la máquina con agua, ya que puede penetrar en el sistema eléctrico o en el motor y causar daños en la máquina o un cortocircuito.**

## Suministro eléctrico



**¡ATENCIÓN! No usar nunca cables dañados, puesto que pueden causar daños personales graves e incluso mortales.**

Compruebe que el cable y el cable de empalme está intacto. Si se daña el cable, no utilice la máquina. Llévela a un taller de servicio oficial para reparar.

## Reparaciones



**¡IMPORTANTE! Las reparaciones de todo tipo deben ser efectuadas por técnicos autorizados, únicamente. De este modo se evita someter a los operadores a grandes riesgos.**

## Disco del embrague

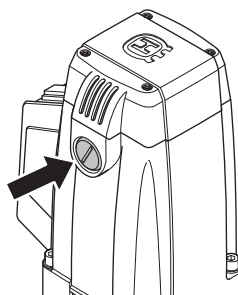
Si el par transmitido desciende, deberán realizarse ciertos ajustes en el disco del embrague. Para ello, lleve la máquina a un taller de reparación autorizado.

## Cambio de escobillas de carbón

Las escobillas deben desmontarse y revisarse regularmente. Cada semana si la máquina se utiliza a diario, o a intervalos más largos si se utiliza con menor frecuencia. La superficie de desgaste debe estar regular e intacta.

Ambas escobillas deben cambiarse siempre en la misma oportunidad, pero de una en una. Procedimiento de cambio:

- 1 Soltar las tapas de las escobillas con un destornillador plano ancho.



- 2 Sacar las escobillas con cuidado. Si quedan menos de 6 mm en las escobillas, hay que cambiarlas.
- 3 Montar las escobillas nuevas.
- 4 Poner las tapas de escobillas.
- 5 Dejar la máquina funcionando en ralentí durante 10 minutos para hacer el rodaje de las escobillas nuevas.

## Mantenimiento diario

- 1 Compruebe que los tornillos y las tuercas estén apretados.
- 2 Compruebe que la unidad de interruptor funciona de forma segura.
- 3 Limpie la parte exterior de la máquina.
- 4 Revise y limpie las aberturas de aire refrigerante.
- 5 Compruebe que el cable y el cable de empalme está intacto.

# MANTENIMIENTO

## Mantenimiento del soporte



**¡ATENCIÓN!** El control y/o mantenimiento de la máquina debe hacerse con el motor parado y el enchufe desenchufado.

## Limpieza y lubricación

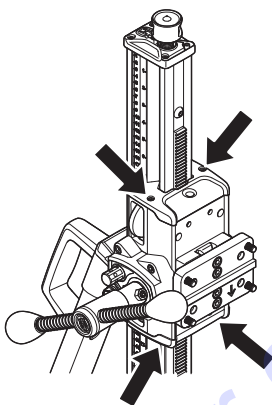
**¡IMPORTANTE!** Desmontar el motor de taladradora. En lo referente al mantenimiento del motor de taladradora, ver el capítulo pertinente.

- Para obtener un funcionamiento óptimo es muy importante mantener el soporte limpio y en orden.
- Se recomienda limpiar el soporte con lavado a alta presión y secarlo.
- Aceitar todas las piezas móviles del soporte. Usar grasa para prevenir la corrosión de las superficies de contacto.

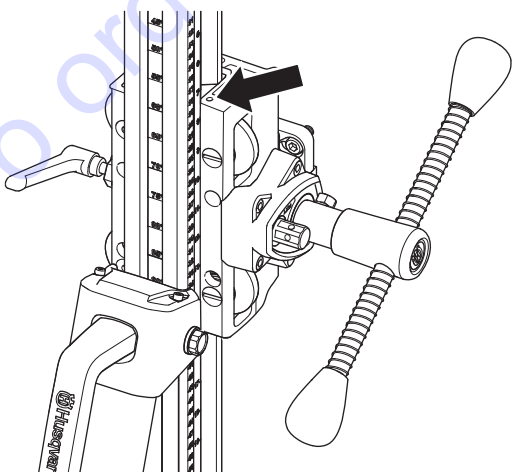
## Ajuste de la caja de alimentación

Si queda un espacio entre la columna y la caja de alimentación, deberá ajustar la caja.

- Retire las cubiertas de transporte superior e inferior de plástico.



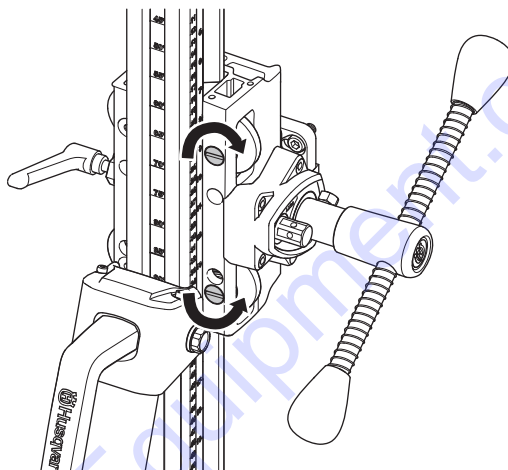
- Afloje los tornillos de ajuste que sujetan los ejes del rodillo guía.



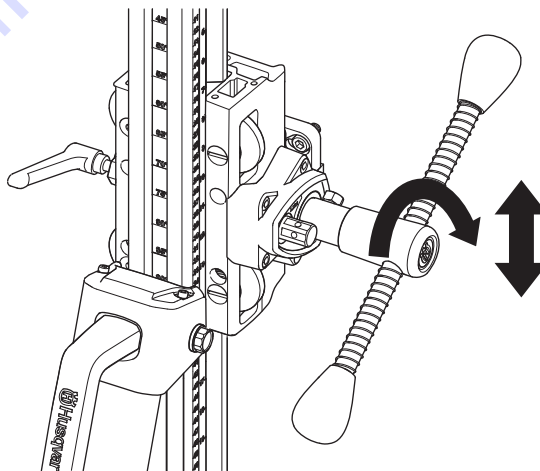
- Comience por el rodillo guía superior. Utilice un destornillador de cabeza plana y gírelo en el sentido de las agujas del reloj para que el rodillo se aproxime a la columna.

Apriete el tornillo de ajuste que bloquea el rodillo guía.

- Ajuste el rodillo inferior girando el destornillador en sentido contrario al de las agujas del reloj para que el rodillo se aproxime a la columna.



- Apriete el tornillo de ajuste que bloquea el rodillo guía.
- Utilice la palanca de la caja de alimentación para comprobar si esta se mueve suavemente por la columna. Si no es así, vuelva a ajustar los rodillos.



- Coloque las cubiertas de transporte superior e inferior de plástico.

## Reparaciones

**¡IMPORTANTE!** Las reparaciones de todo tipo deben ser efectuadas por técnicos autorizados, únicamente. De este modo se evita someter a los operadores a grandes riesgos.

## Mantenimiento diario

- 1 Compruebe que los tornillos y las tuercas estén apretados.
- 2 Limpie la parte exterior de la máquina.
- 3 Compruebe que el cigüeñal de la caja de alimentación se mueve sin ofrecer resistencia.
- 4 Compruebe que los engranajes se mueven fácilmente y sin hacer ruido.
- 5 Compruebe que la columna no está dañada ni gastada.
- 6 Compruebe que la caja de alimentación se mueve fácilmente y no rebota en la columna de la base.

# MANTENIMIENTO

## Tabla de localización de fallos

Problema	Comprobaciones		Solución
La velocidad del taladro es muy lenta.	Compruebe la broca.	La broca está gastada.	Cambie la broca.
		Hay astillas atascadas en la broca.	Limpie la broca con un cepillo de alambre y aumente la presión del agua.
		El diamante está redondeado.	Utilice una broca más blanda. Aumente la fuerza en el mango.
	Compruebe que no haya polvo metálico en el agua residual.	El taladro corta las varillas de refuerzo.	Aligere la presión en el mango para evitar que el cortacircuitos se active.
La broca se ha atascado.	Apague el taladro.	Se ha atascado un fragmento de piedra o barra de acero entre el hormigón y la broca.	Con una llave, gire la broca en el sentido de las agujas del reloj y suéltela mientras tira el mango hacia atrás. (Si la gira en sentido contrario al de las agujas del reloj, podría desatornillar la broca del portabrocas).
		La base se mueve mientras se usa el taladro.	Vuelva a colocar la base en su sitio y sujétela bien.
		La arandela tiene demasiado espacio libre.	Reduzca el espacio libre de la arandela.
		El diámetro exterior de la broca es el del portabrocas.	Cambie la broca.
El portabrocas está gastado.	Apague el taladro.	La arandela tiene demasiado espacio libre.	Reduzca el espacio libre de la arandela.
		La broca, el portabrocas o la base están flojos.	Apriételes bien.
		La broca está deformada.	Cambie la broca.
		Las astillas no se eliminan adecuadamente.	Aumente la presión y el volumen del agua.

---

# DATOS TECNICOS

---

## Motor de taladradora

Motor eléctrico	Monofásico
Tensión nominal, V	100-120
Potencia nominal, W	2400

### Amperaje nominal, A

100-120 V	20A
-----------	-----

Peso, kg/lbs	5,9/13
--------------	--------

### Velocidad del husillo, ralentí, r.p.m.

Posición 1	390
Posición 2	890

### Broca del taladro

Diámetro máximo de perforación, mm/pulgadas	250/10
Rosca del husillo, exterior	1 1/4" 7 UNC

Conexión de agua	G 1/4"
------------------	--------

## Base del taladro

Altura, mm/pulgadas	1052/41,4
Anchura, mm/pulgadas	266/10,5
Profundidad, mm / in	545/21,5

Peso, kg/lbs	14,5/32
--------------	---------

Carrera, mm/pulgadas	686/27
Inclinación de la columna	0-60°



US - Original instructions, CA - Instructions d'origine  
ES - Instrucciones originales



1157642-49

2015-06-01



**TO PURCHASE THIS PRODUCT PLEASE CONTACT US**



**Equipment Financing and  
Extended Warranties Available**



**Discount-Equipment.com is your online resource for  
commercial and industrial quality parts and equipment sales.**

**561-964-4949**

**visit us on line @ [www.discount-equipment.com](http://www.discount-equipment.com)**

Select an option below to find your Equipment

**Search by Manufacturer**

**Search by Product Type**

**Request a Quote**

We sell worldwide for the brands: Genie, Terex, JLG, MultiQuip, Mikasa, Essick, Whiteman, Mayco, Toro Stone, Diamond Products, Generac Magnum, Airman, Haulotte, Barreto, Power Blanket, Nifty Lift, Atlas Copco, Chicago Pneumatic, Allmand, Miller Curber, Skyjack, Lull, Skytrak, Tsurumi, Husquvarna Target, Stow, Wacker, Sakai, Mi-T-M, Sullair, Basic, Dynapac, MBW, Weber, Bartell, Bennar Newman, Haulotte, Ditch Runner, Menegotti, Morrison, Contec, Buddy, Crown, Edco, Wyco, Bomag, Laymor, EZ Trench, Bil-Jax, F.S. Curtis, Gehl Pavers, Heli, Honda, ICS/PowerGrit, IHI, Partner, Imer, Clipper, MMD, Koshin, Rice, CH&E, General Equipment, Amida, Coleman, NAC, Gradall, Square Shooter, Kent, Stanley, Tamco, Toku, Hatz, Kohler, Robin, Wisconsin, Northrock, Oztec, Toker TK, Rol-Air, APT, Wylie, Ingersoll Rand / Doosan, Innovatech, Con X, Ammann, Mecalac, Makinex, Smith Surface Prep, Small Line, Wanco, Yanmar