

**GB**

## **Operator's manual**

Please read the operator's manual carefully and make sure you understand the instructions before using the machine.

**ES**

## **Manual de instrucciones**

Lea detenidamente el manual de instrucciones y asegúrese de entender su contenido antes de utilizar la máquina.

**DE**

## **Bedienungsanweisung**

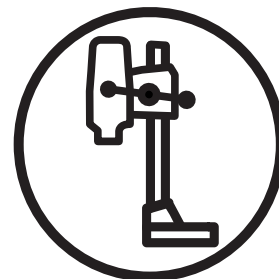
Lesen Sie die Bedienungsanweisung sorgfältig durch und machen Sie sich mit dem Inhalt vertraut, bevor Sie das Gerät benutzen.

**FR**

## **Manuel d'utilisation**

Lire attentivement et bien assimiler le manuel d'utilisation avant d'utiliser la machine.

# **DMS 240**



**GB ES DE FR**

**TO PURCHASE THIS PRODUCT PLEASE CONTACT US**



**Equipment Financing and  
Extended Warranties Available**



**Discount-Equipment.com is your online resource for  
commercial and industrial quality parts and equipment sales.**

**561-964-4949**

**visit us on line @ [www.discount-equipment.com](http://www.discount-equipment.com)**

Select an option below to find your Equipment

**Search by Manufacturer**

**Search by Product Type**

**Request a Quote**

We sell worldwide for the brands: Genie, Terex, JLG, MultiQuip, Mikasa, Essick, Whiteman, Mayco, Toro Stone, Diamond Products, Generac Magnum, Airman, Haulotte, Barreto, Power Blanket, Nifty Lift, Atlas Copco, Chicago Pneumatic, Allmand, Miller Curber, Skyjack, Lull, Skytrak, Tsurumi, Husquvarna Target, Stow, Wacker, Sakai, Mi-T-M, Sullair, Basic, Dynapac, MBW, Weber, Bartell, Bennar Newman, Haulotte, Ditch Runner, Menegotti, Morrison, Contec, Buddy, Crown, Edco, Wyco, Bomag, Laymor, EZ Trench, Bil-Jax, F.S. Curtis, Gehl Pavers, Heli, Honda, ICS/PowerGrit, IHI, Partner, Imer, Clipper, MMD, Koshin, Rice, CH&E, General Equipment, Amida, Coleman, NAC, Gradall, Square Shooter, Kent, Stanley, Tamco, Toku, Hatz, Kohler, Robin, Wisconsin, Northrock, Oztec, Toker TK, Rol-Air, APT, Wylie, Ingersoll Rand / Doosan, Innovatech, Con X, Ammann, Mecalac, Makinex, Smith Surface Prep, Small Line, Wanco, Yanmar

# KEY TO SYMBOLS

## Symbols on the machine:

**WARNING!** The machine can be a dangerous tool if used incorrectly or carelessly, which can cause serious or fatal injury to the operator or others.



Please read the operator's manual carefully and make sure you understand the instructions before using the machine.



Always wear:

- Approved protective helmet
- Approved hearing protection
- Protective goggles or a visor
- Breathing mask



This product is in accordance with applicable EC directives.



**Environmental marking.** Symbols on the product or its packaging indicate that this product cannot be handled as domestic waste. It must instead be submitted to an appropriate recycling station for the recovery of electrical and electronic equipment.



By ensuring that this product is taken care of correctly, you can help to counteract the potential negative impact on the environment and people that can otherwise result through the incorrect waste management of this product.

For more detailed information about recycling this product, contact your municipality, your domestic waste service or the shop from where you purchased the product.

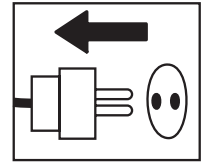
Ensure that water cannot leak into the machine when drilling in the ceiling. Use an appropriate water collector and cover the machine in plastic, but do not cover the air intakes and air outlets.



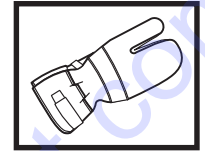
**Other symbols/decals on the machine refer to special certification requirements for certain markets.**

## Symbols in the operator's manual:

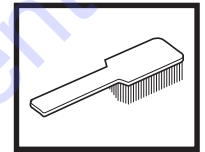
Inspection and/or maintenance should be carried out with the motor switched off and the plug disconnected.



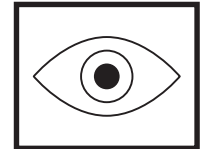
Always wear approved protective gloves.



Regular cleaning is required.



Visual check.



Protective goggles or a visor must be worn.



---

# CONTENTS

---

## Contents

### KEY TO SYMBOLS

Symbols on the machine: .....	2
Symbols in the operator's manual: .....	2

### CONTENTS

Contents .....	3
----------------	---

### WHAT IS WHAT?

What is what on the drilling machine? .....	4
---	---

### WHAT IS WHAT?

What is what on the stand? .....	5
----------------------------------	---

### SAFETY INSTRUCTIONS

Steps before using a new drilling machine .....	6
Personal protective equipment .....	6
Machine's safety equipment .....	7
General safety precautions .....	8

### PRESENTATION

Drill motor and stand .....	10
Stand .....	10
Drill motor .....	10

### ASSEMBLY

Fit the wheel kit .....	11
Secure the stand .....	11
Assembly of drill motor .....	12
Adjust the column tilt .....	12

### STARTING AND STOPPING

Before starting .....	13
Starting .....	13
Stopping .....	13

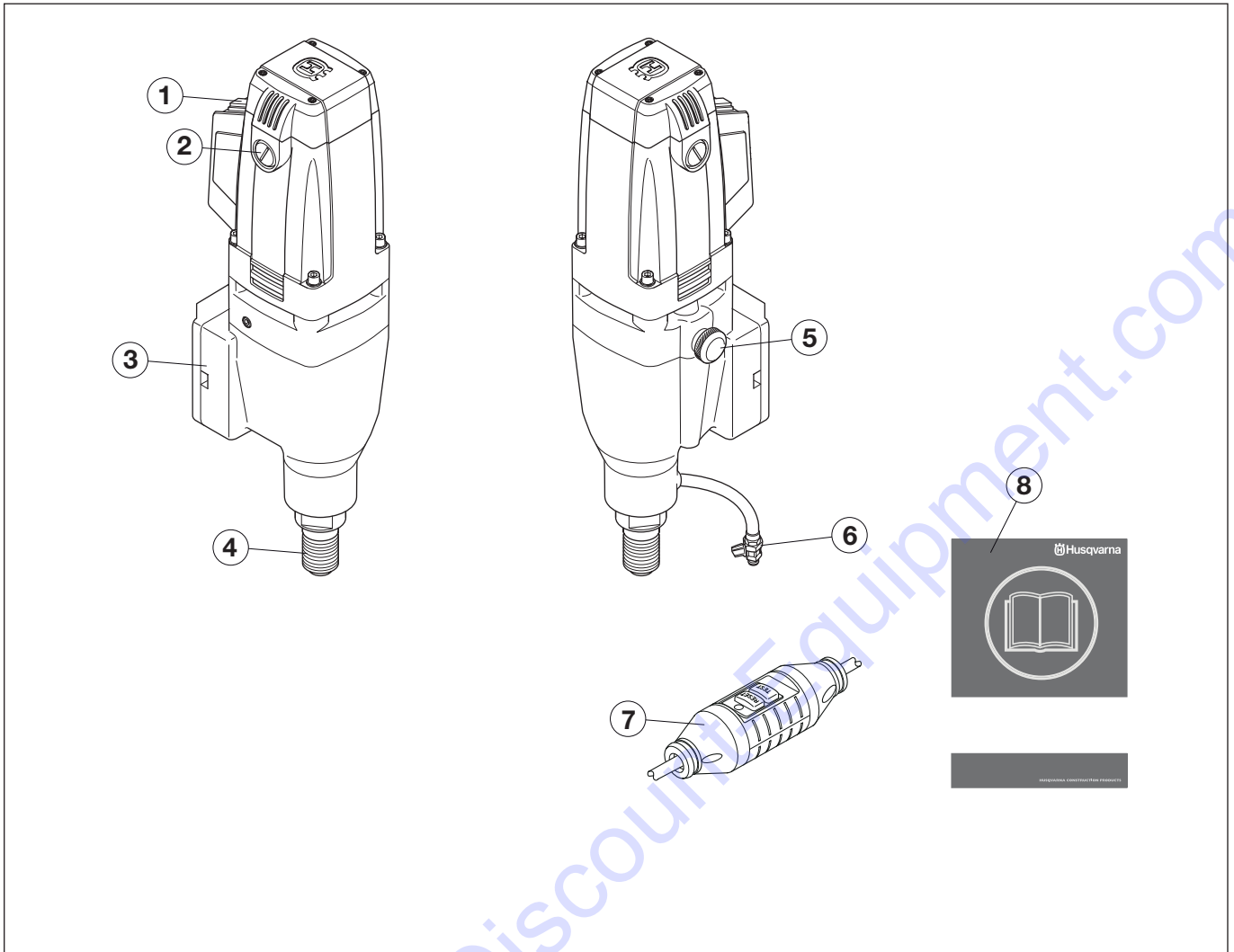
### MAINTENANCE

Changing the drill bit .....	14
Maintenance of the drill motor .....	14
Stand maintenance .....	15
Troubleshooting schedule .....	16

### TECHNICAL DATA

Drill motor .....	17
Drill stand .....	17
EC-declaration of conformity .....	18

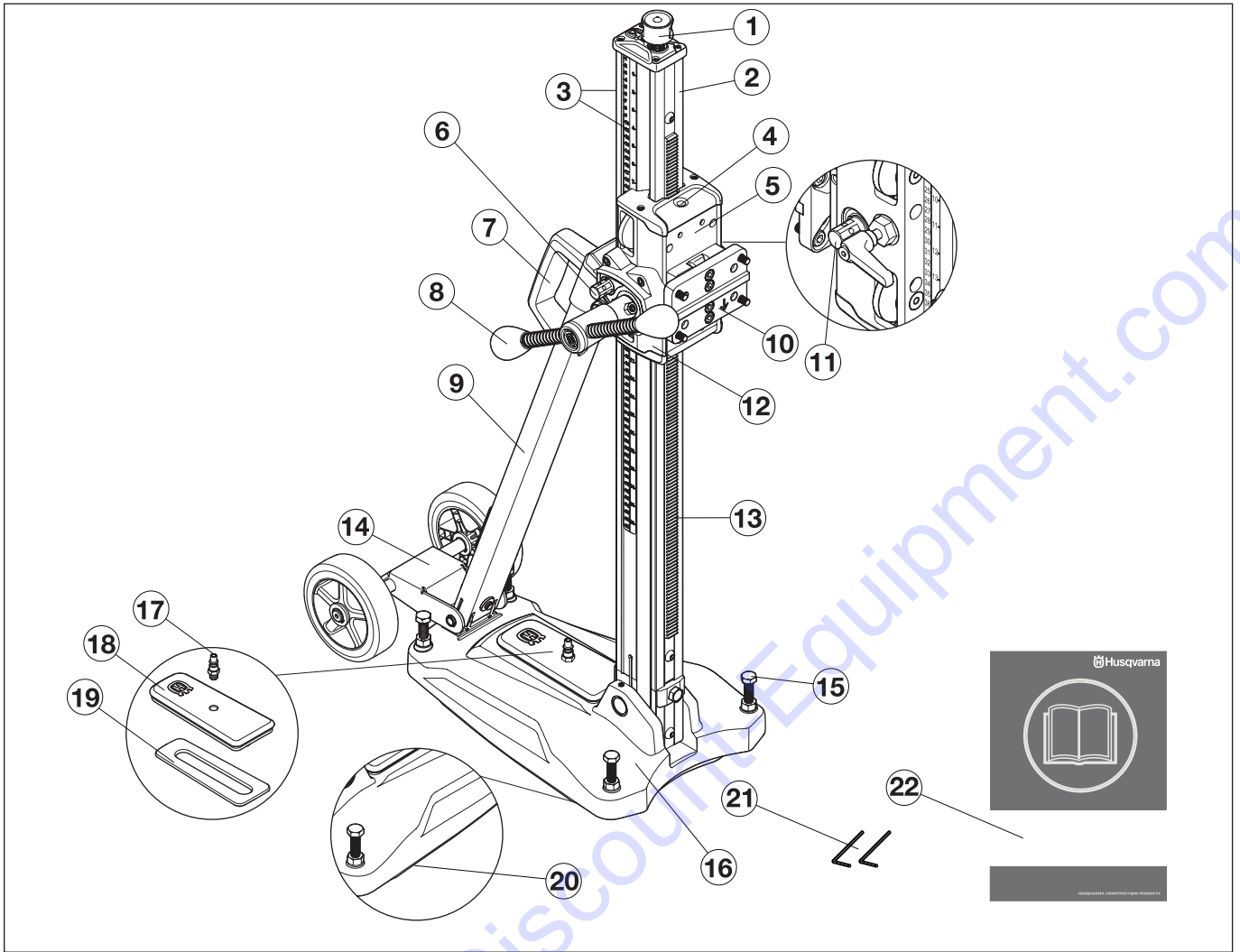
# WHAT IS WHAT?



## What is what on the drilling machine?

- |                      |   |
|----------------------|---|
| 1 Switch             | 5 Gear selector                                 |
| 2 Carbon brush cover | 6 Water connector                               |
| 3 Fixing for stand   | 7 Ground fault circuit interrupter (not for GB) |
| 4 Drill spindle      | 8 Operator's manual                             |

# WHAT IS WHAT?



## What is what on the stand?

- |   |   |
|---|---|
| 1 Jacking screw                           | 12 Gear box                                   |
| 2 Drill column                            | 13 Rack                                       |
| 3 Depth and tilt scale                    | 14 Wheel set (removable)                      |
| 4 Vertical and horizontal level indicator | 15 Leveling adjustment screws                 |
| 5 Feeder housing                          | 16 Base plate with integrated vacuum function |
| 6 Locking screw, column tilt              | 17 Quick coupling for vacuum pressure         |
| 7 Carrying handle                         | 18 Vacuum cover                               |
| 8 Feed lever                              | 19 Gasket, vacuum cover                       |
| 9 Back support                            | 20 Gasket, base vacuum suction                |
| 10 Quick mounting                         | 21 Allen key (3 mm, 4 mm)                     |
| 11 Feeder housing lock                    | 22 Operator's manual                          |

# SAFETY INSTRUCTIONS

## Steps before using a new drilling machine

- Do not use the drilling machine without first reading and understanding the contents of this Operator's Manual.
- This machine is designed for and intended for drilling concrete, brick and different stone materials. All other use is improper.
- The machine is intended for use in industrial applications by experienced operators.

## Always use common sense

It is not possible to cover every conceivable situation you can face when using a drilling machine. Always exercise care and use your common sense. Avoid all situations which you consider to be beyond your capability. If you still feel uncertain about operating procedures after reading these instructions, you should consult an expert before continuing. Do not hesitate to contact Discount-equipment if you have any more questions about the use of the drilling machine. We will willingly be of service and provide you with advice as well as help you to use your drilling machine both efficiently and safely.

Do not hesitate to contact Discount-equipment if you have any more questions about the use of the machine. We will willingly be of service and provide you with advice as well as help you to use your machine both efficiently and safely .

Let Discount-equipment check the drilling machine regularly and make essential adjustments and repairs.

Husqvarna Construction Products has a policy of continuous product development. Husqvarna reserves the right to modify the design and appearance of products without prior notice and without further obligation introduce design modifications.

All information and all data in the Operator's Manual were applicable at the time the Operator's Manual was sent to



**WARNING! Under no circumstances should you modify the original design of the machine without approval from the manufacturer. Always use original spare parts. Unauthorised modifications and/or accessories may lead to serious injury or death to the user or others.**



**WARNING! The use of products such as cutters, grinders, drills, that sand or form material can generate dust and vapours which may contain hazardous chemicals. Check the nature of the material you intend to process and use an appropriate breathing mask.**

## Personal protective equipment

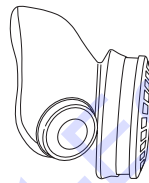


**WARNING! You must use approved personal protective equipment whenever you use the machine. Personal protective equipment cannot eliminate the risk of injury but it will reduce the degree of injury if an accident does happen. Ask your dealer for help in choosing the right equipment.**

- Protective helmet
- Hearing protection
- Protective goggles or a visor



- Breathing mask



- Heavy-duty, firm grip gloves.



- Tight-fitting, heavy-duty and comfortable clothing that permits full freedom of movement.



- Boots with steel toe-caps and non-slip sole.



- Always have a first aid kit nearby.



# SAFETY INSTRUCTIONS

## Machine's safety equipment

This section describes the machine's safety equipment, its purpose, and how checks and maintenance should be carried out to ensure that it operates correctly. See the "What is what?" section to locate where this equipment is positioned on your machine.

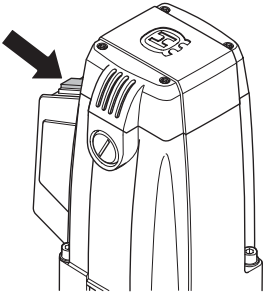


**WARNING! Never use a machine that has faulty safety equipment! Carry out the inspection, maintenance and service routines listed in this section.**

**All servicing and repair work on the machine requires special training. This is especially true of the machine's safety equipment. If your machine fails any of the checks described below you must contact Discount-equipment. When you buy any of our products we guarantee the availability of professional repairs and service. If the retailer who sells your machine is not a servicing dealer, ask him for the address of your nearest service agent.**

## Switch

The power switch should be used to start and stop the machine.



## Checking the power switch

- Start the machine by switching on the on-off switch.
- Switch the on-off switch off to stop the machine.
- A defective power switch should be replaced by an authorized service workshop.

## Ground fault circuit interrupter

Ground fault circuit interrupters are for protection in case an electrical fault should occur.

The LED indicates that the ground fault circuit interrupter is on and that the machine can be switched on. If the LED is not on, push the RESET button (green).



## Check the ground fault circuit interrupter

- Connect the machine to the socket. Push the RESET button (green) and the red LED lights up.



- Start the machine by pressing the power switch.
- Push the TEST button (blue).



- The ground fault circuit interrupter should trip and the machine switch off instantly. If not, contact Discount-equipment.
- Reset with the RESET button (green).



# SAFETY INSTRUCTIONS

## General safety precautions



**WARNING!** Read all safety warnings and all instructions. Failure to follow the warnings and instructions may result in electric shock, fire and/or serious injury.

### Work area safety

- Keep work area clean and well lit. Cluttered or dark areas invite accidents.
- Do not operate power tools in explosive atmospheres, such as in the presence of flammable liquids, gases or dust. Power tools create sparks which may ignite the dust or fumes.
- People and animals can distract you causing you to lose control of the machine. For this reason, always remain concentrated and focused on the task.
- Do not use the machine in bad weather, such as dense fog, heavy rain, strong wind, intense cold, etc. Working in bad weather is tiring and can lead to dangerous conditions, e.g. slippery surfaces.
- Never start to work with the machine before the working area is clear and you have a firm foothold. Look out for any obstacles with unexpected movement. Ensure that no material can become loose and fall, causing injury when operating the machine.
- Always check the rear side of the surface where the drill bit will emerge when drilling right through. Secure and cordon off the area and make sure that no one can be injured or material damaged.

## Electrical safety



**WARNING!** There is always a risk of shocks from electrically powered machines. Avoid unfavourable weather conditions and body contact with lightning conductors and metal objects. Always follow the instructions in the Operator's manual to avoid damage.



**WARNING!** Do not wash the machine with water, as water can enter the electrical system or the engine and cause damage to the machine or short circuit.



**WARNING!** The machine (Great Britain 110 V) is not equipped with a ground fault circuit interrupter. The machine must always be used with an isolating transformer for protection in case an electrical fault should occur.

- The machine should be connected to an earthed outlet socket.
- Check that the mains voltage corresponds with that stated on the rating plate on the machine.
- Check that the cord and extension cord are intact and in good condition. Use an extension cord intended for outdoor use.
- Never use the machine if the cord is damaged, hand it in to an authorized service workshop for repair.
- Do not use an extension cord while it is rolled up to avoid overheating.
- Never carry the machine by means of the cord and never pull out the plug by pulling the cord.
- Keep all cords and extension cords away from water, oil and sharp edges. Make sure the cord is not pinched in doors, fences or the like. Otherwise it can cause the object to become live.
- The power tool should not be exposed to more moisture than what is provided by the water system. Do not expose the power tool to rain. Water entering a power tool will increase the risk of electric shock.
- Ensure the cord is behind you when you start to use the machine so that the cord will not be damaged.

# SAFETY INSTRUCTIONS

## Personal safety



**WARNING! There is always a risk of crush injuries when working with products containing moving parts. Wear protective gloves to avoid body injuries.**

- Wear personal protective equipment. See instructions under the heading Personal protective equipment.
- Never use the machine if you are tired, if you have drunk alcohol, or if you are taking medication that could affect your vision, your judgement or your co-ordination.
- Prevent unintentional starting. Ensure the switch is in the OFF-position before connecting to power source. Carrying power tools with your finger on the switch or energising power tools that have the switch on invites accidents.
- Remove any adjusting key or wrench before turning the power tool on. A wrench or a key left attached to a rotating part of the power tool may result in personal injury.
- Never allow anyone else to use the machine without first ensuring that they have understood the contents of the operator's manual.
- Be careful as clothing, long hair, and jewellery can get caught in moving parts.
- Remain at a distance from the drill bit when the motor is running.
- Make sure that no pipes or electrical cables are routed in the area to be drilled.
- Never leave the machine unsupervised with the motor running.
- Always unplug the machine during longer work breaks.
- Never work alone, always ensure there is another person close at hand. Apart from being able to receive help to assemble the machine, you can also get help if an accident should occur.

## Use and care

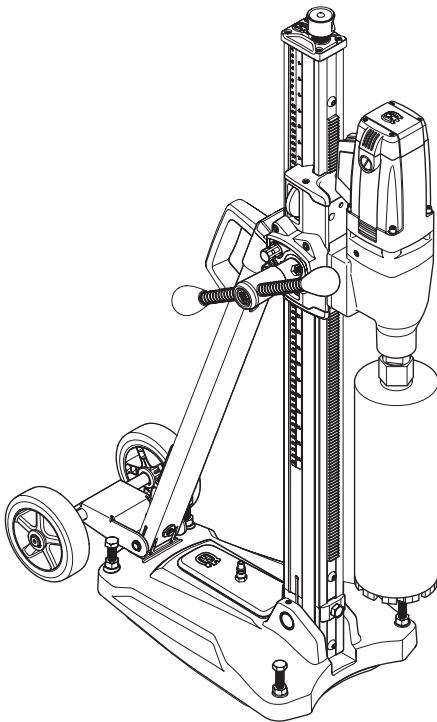
- Never use a machine that is faulty. Carry out the checks, maintenance and service instructions described in this manual. Some maintenance and service measures must be carried out by trained and qualified specialists. See instructions under the heading Maintenance.
- Inspection and/or maintenance should be carried out with the motor switched off and the plug disconnected.
- Do not use the power tool if the switch does not turn it on and off. Any power tool that cannot be controlled with the switch is dangerous and must be repaired.
- Never use a machine that has been modified in any way from its original specification.
- Do not overload the machine. Overloading can damage the machine.
- Keep tools sharp and clean in order to enable safer work.
- Keep all parts in good working order and ensure that all fixtures are properly tightened.

## Transport and storage

- Do not store or transport the drilling machine with the drill bit fitted in order to protect your drilling machine and drill bits from damage.
- Store the drilling machine in a lockable area so that it is out of reach of children and unauthorised persons.
- Store the drilling machine and stand in dry and frost free conditions.

# PRESENTATION

## Drill motor and stand

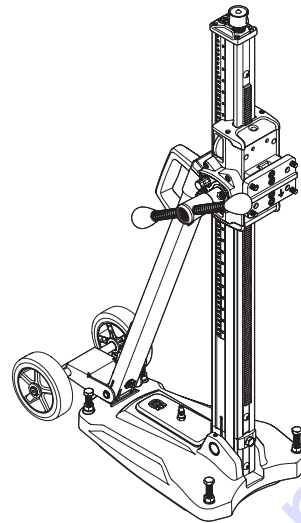


It is our wish that you will be satisfied with your product and that it will be your companion for a long time. Think of this operator's manual as a valuable document. By following its' content (using, service, maintenance etc) the life span and the second-hand value of the machine can be extended. If you will sell this machine, make sure that the buyer will get the operator's manual.

A purchase of one of our products gives you access to professional help with repairs and services. If the retailer who sells your machine is not one of our authorised dealers, ask him for the address of your nearest service workshop.

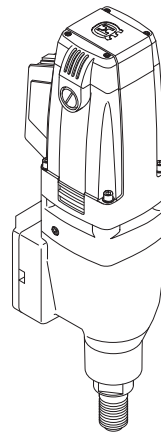
Husqvarna Construction Products has a policy of continuous product development. Husqvarna reserves the right to modify the design and appearance of products without prior notice and without further obligation introduce design modifications.

## Stand



- The stand is for drilling in roofs, walls and floors.
- The drill stand is equipped with a quick connection plate for the drillmotor.
- The base plate is made of aluminium and is therefore very light weight. It has a integrated vacuum plate.
- The wheel kit is dismountable.
- The column can be tilted 0-60°.
- The feeder housing's transmission is adjustable. The higher gives 2.5:1 and the lower, 1:1.
- Feed lever can be used to adjust base plate leveling screws and set desired column tilt.

## Drill motor

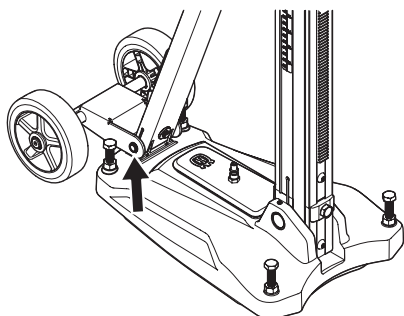


- DMS 240 is an electric drill, intended for drilling concrete, brick and various stone materials.
- The drilling machine has a modular design and is easy to assemble.
- The machine is intended for stand mounted drilling.
- The machine is equipped with two gears.
- The machine is double insulated.
- The overload protection disconnects the power, if the machine is subjected to heavy loads or if the drill bit jams.
- The machine is water cooled.

# ASSEMBLY

## Fit the wheel kit

Fit the wheel set in the mount on the backside of the bottom plate and tighten the screws.



## Secure the stand

There are three methods for fixing the stand.

- Securing with vacuum plate
- Fixing with expander or anchor
- Fixing with threaded rod, washer and lock nut

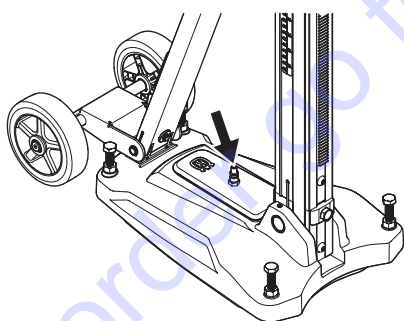
## Securing with vacuum plate



**WARNING!** The vacuum plate must never be used for ceiling or wall drilling. Careless or incorrect use can result in serious, even fatal injury.

If the vacuum plate is used, make sure the support surface is not porous and can loosen from the floor or the wall. Make sure that the vacuum pump has sufficient power to secure the vacuum plate.

- Connect the vacuum pump to the quick coupling for vacuum pressure on the base plate.

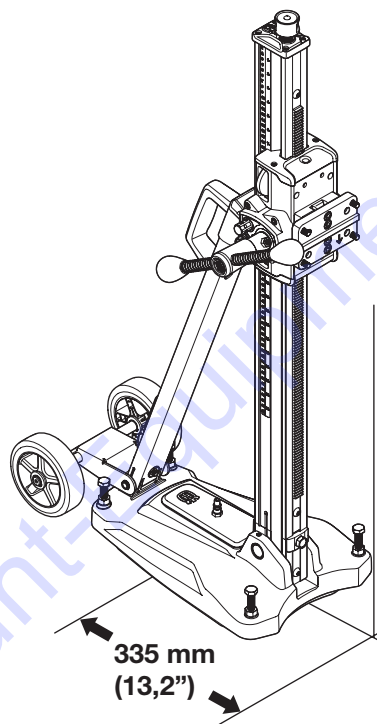


- Place the bottom plate in the desired position.
- Switch on the vacuum pump. A minimum pressure of 635 mm Hg (25 inch Hg) must be reached so that the base plate seals tightly against the surface.

## Fixing with expander or anchor

**IMPORTANT!** When drilling roofs, only expander or anchor suitable for surfaces exposed to tensile forces should be used.

Use only expander or anchor which is approved for current application.



- Drill a hole for the expander/anchor at a distance of 335 mm (13.2") from the centre of the hole.
- Bolt down the base plate.  
Check carefully that the expander is secured correctly.
- The bottom plate can be adjusted to the surface by using the leveling adjustment screws. Use the feed lever.

## Fixing with threaded rod, washer and lock nut

If the mounting surface is inadequate for drilling in roofs or walls, the base plate can be fixed using a threaded rod, which is mounted on the backside with a washer and lock nut.

## Drilling in the ceiling



**WARNING!** Use a water collector to avoid water penetrating into the machine. The machine must be covered with plastic or the like in order to prevent water penetrating into the machine, but do not cover the air intakes and air outlets.

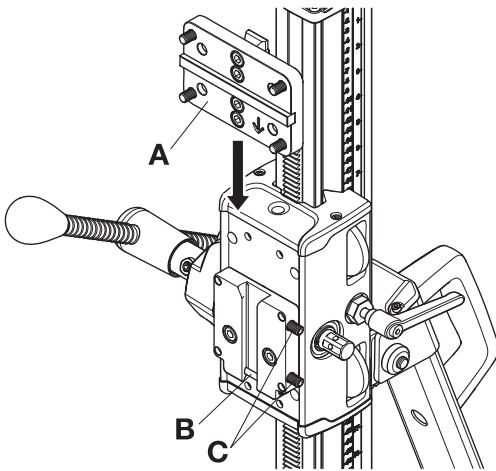
# ASSEMBLY

## Assembly of drill motor

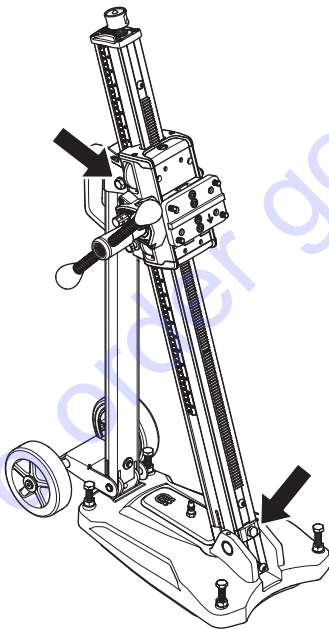


**IMPORTANT!** Always pull out the plug from the outlet socket before cleaning, maintenance or assembly.

- Always remove the drill bit before the motor is mounted or dismantled.
- Lock the feed housing lock.
- Fit the drill motor on the quick mount (A).
- Mount the quick mounting and drilling machine in the track on the locking clamp.
- Secure with the locking screws (C).



## Adjust the column tilt



Loosen the locking screws for column tilt and set the desired drill angle. Tighten the locking screws. Use the feed lever. The column can be tilted 0-60°.

The angle indicator can be used for approximate adjustment. If higher precision is required, alternative measuring methods should be used.

# STARTING AND STOPPING

## Before starting



**WARNING!** Note the following before starting:

The machine should be connected to an earthed outlet socket.

Check that the mains voltage corresponds with that stated on the rating plate on the machine. Keep people and animals well away from the working area.



**WARNING!** Before drilling, check that all locking screws are tightened well.

**Serious accidents can occur if the concrete core remains in the drill when backing out the drill motor/drill from the floor, wall or ceiling.**

- Prevent unintentional starting. Ensure the switch is in the OFF-position before connecting to power source and/or battery pack, picking up or carrying the tool. Carrying power tools with your finger on the switch or energising power tools that have the switch on invites accidents.
- Remove any adjusting key or wrench before turning the power tool on. A wrench or a key left attached to a rotating part of the power tool may result in personal injury.

Make sure that:

- The switch is undamaged. If not, the switch must be replaced by an authorised repairman.
- The machine and its equipment are correctly installed:
  - The drill is secured properly.
  - The stand is firmly attached.
  - Secure the machine on the stand using a suitable method.
- Wear personal protective equipment. See instructions under the heading Personal protective equipment.
- Water cooling is connected to the machine.

## Ground fault circuit interrupter

Make sure the ground fault circuit interrupter is switched on. The LED indicates that the ground fault circuit interrupter is on and that the machine can be switched on. If the LED is not on, push the RESET button (green).

Check the ground fault circuit interrupter. See instructions under the heading Checking, maintaining and servicing the machine's safety equipment.

## Drilling in the ceiling



**WARNING!** The vacuum plate must never be used for ceiling drilling.

Use a water collector to avoid water penetrating into the machine. The machine must be covered with plastic or the like in order to prevent water penetrating into the machine, but do not cover the air intakes and air outlets.



**WARNING!** Check that no one on the floor below can be injured by falling concrete cores.

## Starting

- Turn on the water cooling.
- Press in the switch fully.
- Allow the machine to come up to full speed before contacting workpiece.
- Start to feed the drill bit with the help of the feed handle.

Use very light pressure for the first few millimeters to keep the bit from wandering. Then proceed normally. It's not necessary to use excessive force. This will only slow drilling and overload the motor.

Use especially light pressure when you encounter steel reinforcing rods. High pressure against reinforcing rods will trip the circuit breaker. If the circuit breaker trips, remove the bit from contact with the workpiece before resetting.

## Stopping



**WARNING!** The drill bit continues to rotate for a while after the motor has been switched off. Do not stop the drill bit with your hands. Personal injuries can occur.

Shut down the machine by pressing the power switch.

## Cooling

Run the machine unloaded for a minute or two to cool the motor.

This will also blow dust and dirt out of the motor, ensuring longer life for the machine.

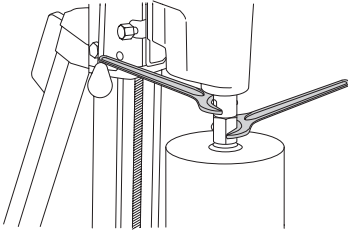
# MAINTENANCE

## Changing the drill bit



**WARNING! Always pull out the plug from the outlet socket before cleaning, maintenance or assembly.**

- 1 Pull out the plug.
- 2 Get:
  - The new drill bit.
  - Open-ended spanners.
  - Water-resistant grease.
- 3 Remove the old drill bit using the open-ended spanners.
- 4 Apply water-resistant grease to the thread of the new drill bit.
- 5 Attach the drill bit using the open-ended spanners.



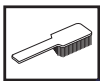
## Maintenance of the drill motor



**WARNING! Inspection and/or maintenance should be carried out with the motor switched off and the plug disconnected.**

The lifetime of your machine can be extended considerably if it is used, cared for and maintained in the proper manner.

### Cleaning



- Keep the machine and drill bit clean in order for drilling to be carried out safely.
- In order for the machine to always be cooled sufficiently the cooling air openings must be kept clear and clean. Blow down the machine regularly with compressed air.



**WARNING! Do not wash the machine with water, as water can enter the electrical system or the engine and cause damage to the machine or short circuit.**

## Electrical Feed



**WARNING! Never use damaged cables. They can cause serious, even fatal, personal injuries.**

Check that the cord and extension cord are intact and in good condition. Never use the machine if the cord is damaged, hand it in to an authorized service workshop for repair.

## Repairs

**IMPORTANT! All types of repairs may only be carried out by authorised repairmen. This is so that the operators are not exposed to great risks.**

### Clutch disc

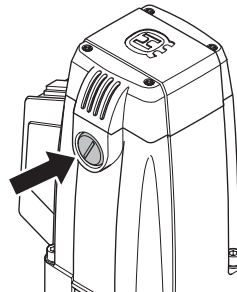
If transmitted torque is lowered, clutch disc requires adjustments. Entrust this to an authorized service center.

### Replacing the carbon brushes

The carbon brushes must be removed and checked regularly. Weekly if the machine is used daily or at longer intervals if the machine is used more seldom. The area of wear should be even and undamaged.

Both carbon brushes must always be replaced as a pair, but one at a time. Do as follows:

- 1 Remove the cover for the carbon brushes using a flat wide screwdriver.



- 2 Carefully remove the carbon brushes. The carbon brushes must be replaced if there is less than 6 mm remaining on the brushes.
- 3 Fit new carbon brushes.
- 4 Screw on the brush cover.
- 5 Let the machine idle for 10 minutes to run in the new carbon brushes.

### Daily maintenance

- 1 Check that nuts and screws are tight.
- 2 Check that the power switch unit works smoothly.
- 3 Clean the outside of the machine.
- 4 Check and clean the cooling air openings.
- 5 Check that the cord and extension cord are intact and in good condition.

# MAINTENANCE

## Stand maintenance



**WARNING!** Inspection and/or maintenance should be carried out with the motor switched off and the plug disconnected.

## Cleaning and lubrication

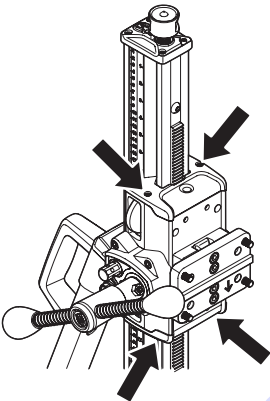
**IMPORTANT!** Remove the drill motor. For maintenance of the drill motor see maintenance of the drill motor.

- It is important that the drill stand is kept clean for functionality to be maintained.
- Clean the stand using a high pressure washer and then wipe dry.
- Lubricate the moving parts on the stand. Apply grease to counteract corrosion on the contact surfaces.

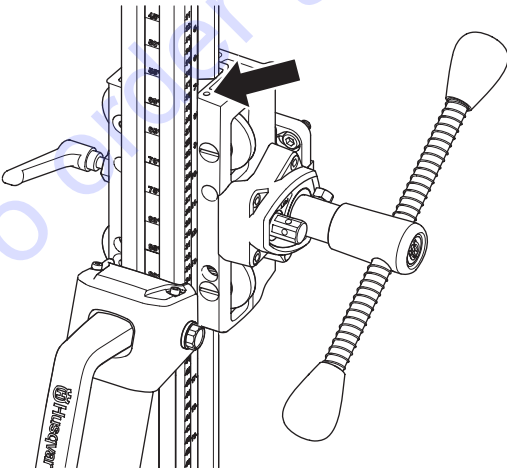
## Adjusting the feed housing

If there is play between the column and the feed housing, the play must be adjusted.

- Remove top and bottom plastic carriage covers.



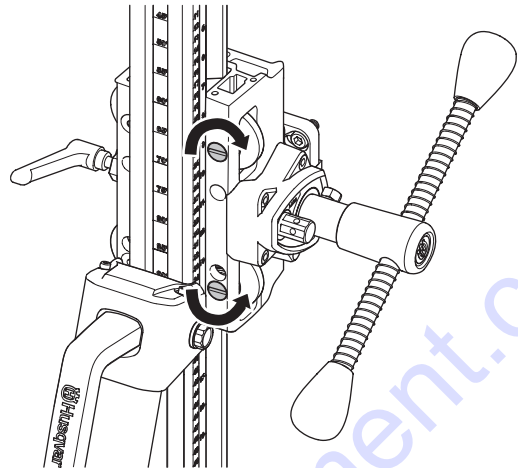
- Loosen set screws holding guide roller shafts.



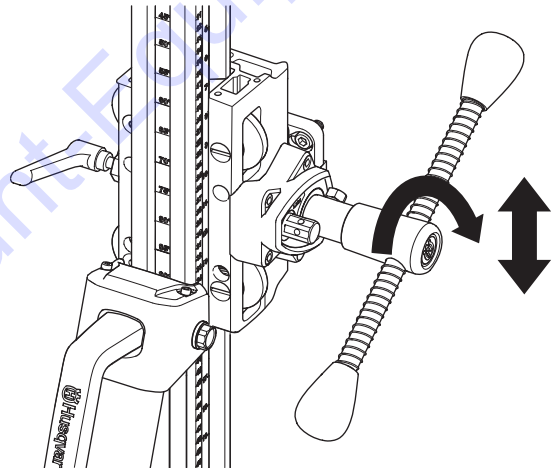
- Start with the top guide roller. Use a flat screwdriver and turn clockwise to guide the roller closer to the column.

Tighten set screw to lock the guide roller shaft.

- Adjust the lower roller by screwing anti-clockwise to guide the roller nearer to the column.



- Tighten set screw to lock the guide roller shaft.
- Use the feed lever to see if the feed housing moves smoothly on the column. If not, adjust the rollers again.



- Fit the top and bottom plastic carriage covers.

## Repairs

**IMPORTANT!** All types of repairs may only be carried out by authorised repairmen. This is so that the operators are not exposed to great risks.

## Daily maintenance

- 1 Check that nuts and screws are tight.
- 2 Clean the outside of the machine.
- 3 Check that the feed crank can be moved without resistance.
- 4 Check that the gearing moves easily and does not cause any noise.
- 5 Check for any wear or damage on the column.
- 6 Check that the feed housing can be moved easily and does not backlash against the stand column.



# MAINTENANCE

## Troubleshooting schedule

Problem	Steps on the spot	Probable cause	Solution
Drilling is unusually slow.	Check bit.	Bit is worn out.	Replace bit.
		Bit is clogged with chips.	Clean bit with a wire brush and increase water pressure.
		Diamond is rounded.	Use a softer bond bit. Increase force on handle.
	Check for metal powder in waste water.	Drill is cutting reinforcing rods.	Ease up the handle to avoid tripping the circuit breaker.
Bit is stuck.	Shut off drill.	Stone or steel bar is caught between core and bit.	Using a wrench, rotate the bit clockwise to free it while backing out the handle. (Rotating it counterclockwise may unscrew the bit from the tube.)
		Base wanders during drilling.	Reset the base and tighten securely.
		Clamp has too much free play.	Adjust clearance of clamp properly.
		The bit's outer diameter is the same as the tube's.	Replace bit.
Tube is abraded.		Clamp has too much free play.	Adjust clearance of clamp properly.
		Bit, tube, or base are loose.	Tighten securely.
		Bit is deformed.	Replace bit.
		Chips not discharging well.	Increase water pressure and volume.

---

# TECHNICAL DATA

---

## Drill motor

Electric motor	Single-phase
Rated voltage, V	230/100-120
Rated output, W	2400

### Rated current, A

230 V	10A
100-120 V	20A

Weight, kg/lbs	5,9/13
----------------	--------

Sound power level, measured, EN 12348:2000, dB(A)	90
Noise pressure level at the operators ear, measured according to EN 12348:2000, dB(A)	106

### Spindle speed, idle, rpm

Position 1	390
Position 2	890

### Drill bit

Max. drill diameter, mm/inches	250/10
Spindle thread, inner	G 1/2" outer 5/8" 11 UNC
Spindle thread, outer	1 1/4" 7 UNC

Water connector	G 1/4"
-----------------	--------

## Drill stand

Height, mm/inches	1052/41,4
Width, mm/inches	266/10,5
Depth, mm/inches	545/21,5

Weight, kg/lbs	14,5/32
----------------	---------

Travel length, mm/inch	686/27
The column's angling	0-60°

To order go to [Discount-Equipment.com](http://Discount-Equipment.com)

1151163-20



2008-06-10

**TO PURCHASE THIS PRODUCT PLEASE CONTACT US**



**Equipment Financing and  
Extended Warranties Available**



**Discount-Equipment.com is your online resource for  
commercial and industrial quality parts and equipment sales.**

**561-964-4949**

**visit us on line @ [www.discount-equipment.com](http://www.discount-equipment.com)**

Select an option below to find your Equipment

**Search by Manufacturer**

**Search by Product Type**

**Request a Quote**

We sell worldwide for the brands: Genie, Terex, JLG, MultiQuip, Mikasa, Essick, Whiteman, Mayco, Toro Stone, Diamond Products, Generac Magnum, Airman, Haulotte, Barreto, Power Blanket, Nifty Lift, Atlas Copco, Chicago Pneumatic, Allmand, Miller Curber, Skyjack, Lull, Skytrak, Tsurumi, Husquvarna Target, Stow, Wacker, Sakai, Mi-T-M, Sullair, Basic, Dynapac, MBW, Weber, Bartell, Bennar Newman, Haulotte, Ditch Runner, Menegotti, Morrison, Contec, Buddy, Crown, Edco, Wyco, Bomag, Laymor, EZ Trench, Bil-Jax, F.S. Curtis, Gehl Pavers, Heli, Honda, ICS/PowerGrit, IHI, Partner, Imer, Clipper, MMD, Koshin, Rice, CH&E, General Equipment, Amida, Coleman, NAC, Gradall, Square Shooter, Kent, Stanley, Tamco, Toku, Hatz, Kohler, Robin, Wisconsin, Northrock, Oztec, Toker TK, Rol-Air, APT, Wylie, Ingersoll Rand / Doosan, Innovatech, Con X, Ammann, Mecalac, Makinex, Smith Surface Prep, Small Line, Wanco, Yanmar