



# SPARE PARTS LIST

TILE SAWS

TS60

Go to [Discount-Equipment.com](http://Discount-Equipment.com) to order your parts



# PARTS FINDER

**Search Website  
by Part Number**



**Search Manual  
Library For Parts  
Manual & Lookup Part  
Numbers – Purchase  
or Request Quote**

**Search Manuals**

Enter your information to help us find the right parts manual for your machine.

\* Brand:

\* Model:

\* Serial:

\* Part Number:

SEARCH

**Can't Find Part or  
Manual? Request Help  
by Manufacturer,  
Model & Description**

**Parts Order Form**

Please fill in the following information to help us find the right part for your machine.

Manufacturer:	<input type="text"/>
Model:	<input type="text"/>
Description:	<input type="text"/>
Part Number:	<input type="text"/>
Quantity:	<input type="text"/>
Notes:	<input type="text"/>

Submit

Discount-Equipment.com is your online resource for quality parts & equipment.

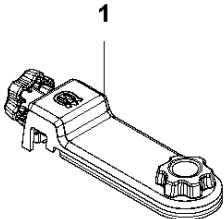
Florida: **561-964-4949** Outside Florida TOLL FREE: **877-690-3101**

**Need parts?**

Click on this link: <http://www.discount-equipment.com/category/5443-parts/> and choose one of the options to help get the right parts and equipment you are looking for. Please have the machine model and serial number available in order to help us get you the correct parts. If you don't find the part on the website or on one of the online manuals, please fill out the request form and one of our experienced staff members will get back to you with a quote for the right part that your machine needs.

We sell worldwide for the brands: Genie, Terex, JLG, MultiQuip, Mikasa, Essick, Whiteman, Mayco, Toro Stone, Diamond Products, Generac Magnum, Airman, Haulotte, Barreto, Power Blanket, Nifty Lift, Atlas Copco, Chicago Pneumatic, Allmand, Miller Curber, Skyjack, Lull, Skytrak, Tsurumi, Husquvarna Target, Stow, Wacker, Sakai, Mi-T-M, Sullair, Basic, Dynapac, MBW, Weber, Bartell, Bennar Newman, Haulotte, Ditch Runner, Menegotti, Morrison, Contec, Buddy, Crown, Edco, Wyco, Bomag, Laymor, EZ Trench, Bil-Jax, F.S. Curtis, Gehl Pavers, Heli, Honda, ICS/PowerGrit, IHI, Partner, Imer, Clipper, MMD, Koshin, Rice, CH&E, General Equipment, Amida, Coleman, NAC, Gradall, Square Shooter, Kent, Stanley, Tamco, Toku, Hatz, Kohler, Robin, Wisconsin, Northrock, Oztec, Toker TK, Rol-Air, APT, Wylie, Ingersoll Rand / Doosan, Innovatech, Con X, Ammann, Mecalac, Makinex, Smith Surface Prep, Small Line, Wanco, Yanmar

**G** TS60  
TILE SAW ACCESSORIES AND TOOLS (STANDARD)

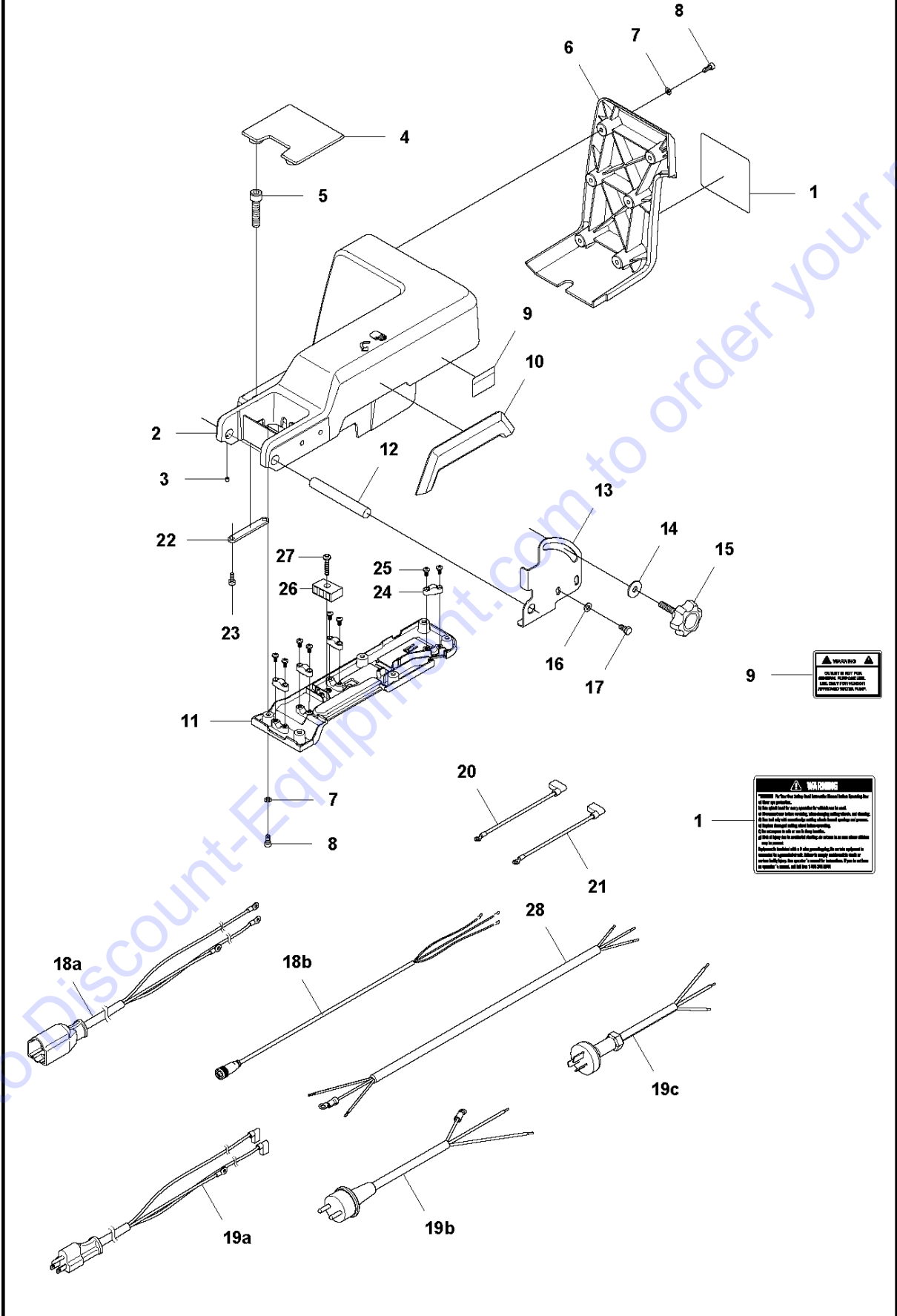


Go to Discount-Equipment.com to order your parts

Ref	Part No	Description	Remark	QTY KIT
1	522 46 95-01	GUIDE		1
2	510 22 54-37	WRENCH		1

Go to [Discount-Equipment.com](http://Discount-Equipment.com) to order your parts

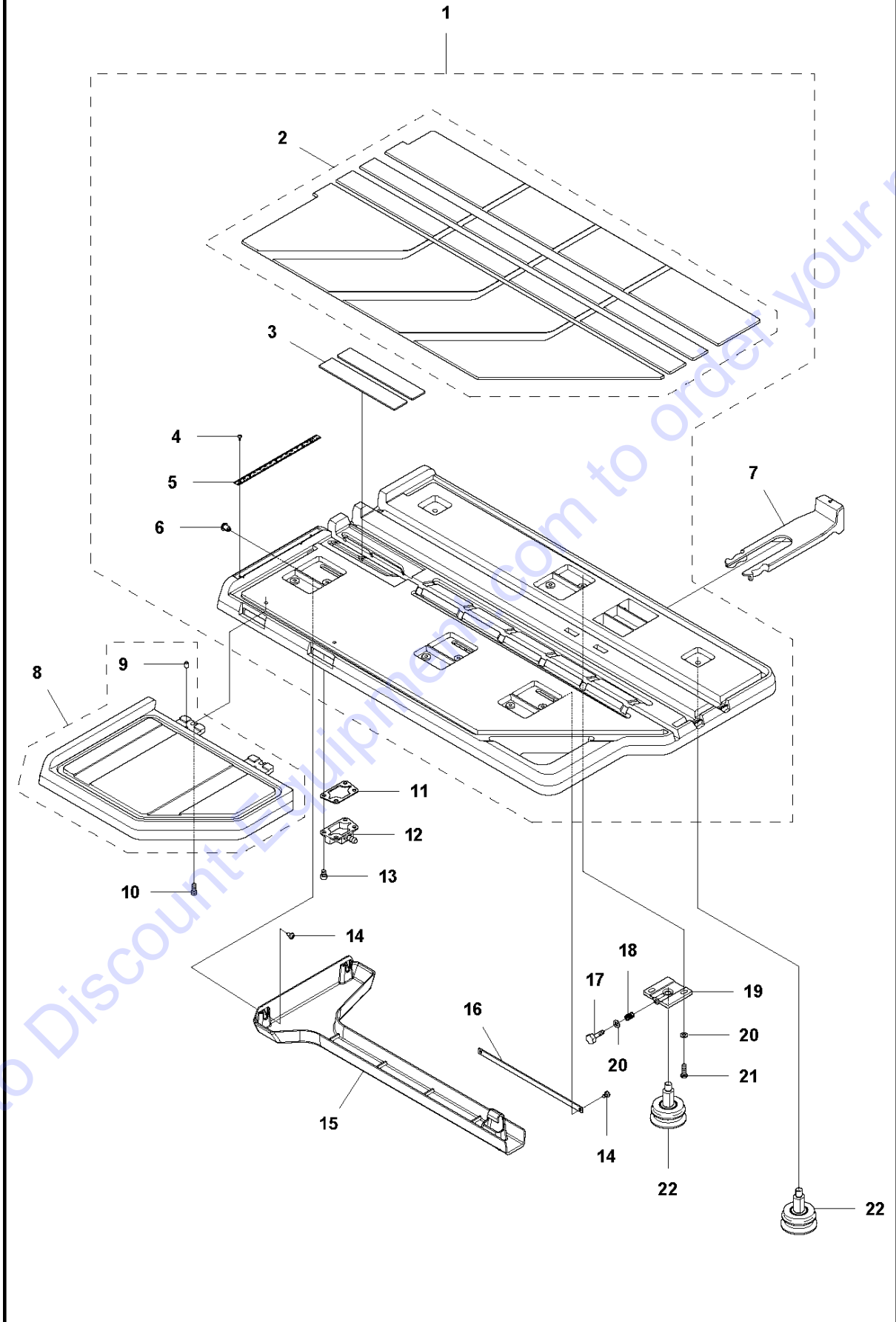
# A2 TS60 CUTTING HEAD ASSY - SUPPORT ARM ASSY



Ref	Part No	Description	Remark	QTY KIT
1	578 98 10-01	DECAL	US	1
1	581 57 76-01	DECAL		1
2	510 22 54-22	ARM		1
3	728 82 85-01	SCREW IHSETM		1
4	510 22 54-72	SAW		1
5	725 55 00-21	SCREW IHSCM		4
6	510 22 54-25	ARM		1
7	734 11 46-01	WASHER		12
8	725 53 27-01	SCREW IHSCM		12
9	579 06 61-01	DECAL		1
9	579 06 61-02	DECAL	Only for Canada	1
10	576 13 97-01	HANDLE		1
11	510 22 54-26	ARM		1
12	510 22 54-34	PEN		1
13	510 22 54-30	PLATE		1
14	734 11 65-41	WASHER		1
15	574 85 11-02	KNOB		1
16	734 11 52-01	WASHER		2
17	725 23 66-71	SCREW EHHM		2
18a	525 81 45-01	CABLE	120V	1
18b	580 91 81-01	CABLE	230V	1
19a	510 18 13-04	CABLE	US	1
19b	580 91 77-01	CABLE	EU	1
19c	580 91 77-04	CABLE	AUS	1
20	576 43 41-01	CABLE ASSY	BLUE	1
21	576 43 41-02	CABLE ASSY	BROWN	1
22	577 85 80-01	CABLE CLAMP		1
23	725 52 89-01	SCREW IHSCM		2
24	544 12 32-01	CABLE CLAMP	230V	4
25	729 57 76-01	SCREW CCRPANT	230V	8
26	510 43 34-01	TERMINAL BLOCK	230V	1
27	525 47 63-01	SCREW ITPANT	230V	1
28	584 65 89-01	CABLE	230V	1

Go to Discount-Equipment.com to order your parts

**E** TS60  
CONVEYOR CART ASSY AND EXTENSION



## CONVEYOR CART

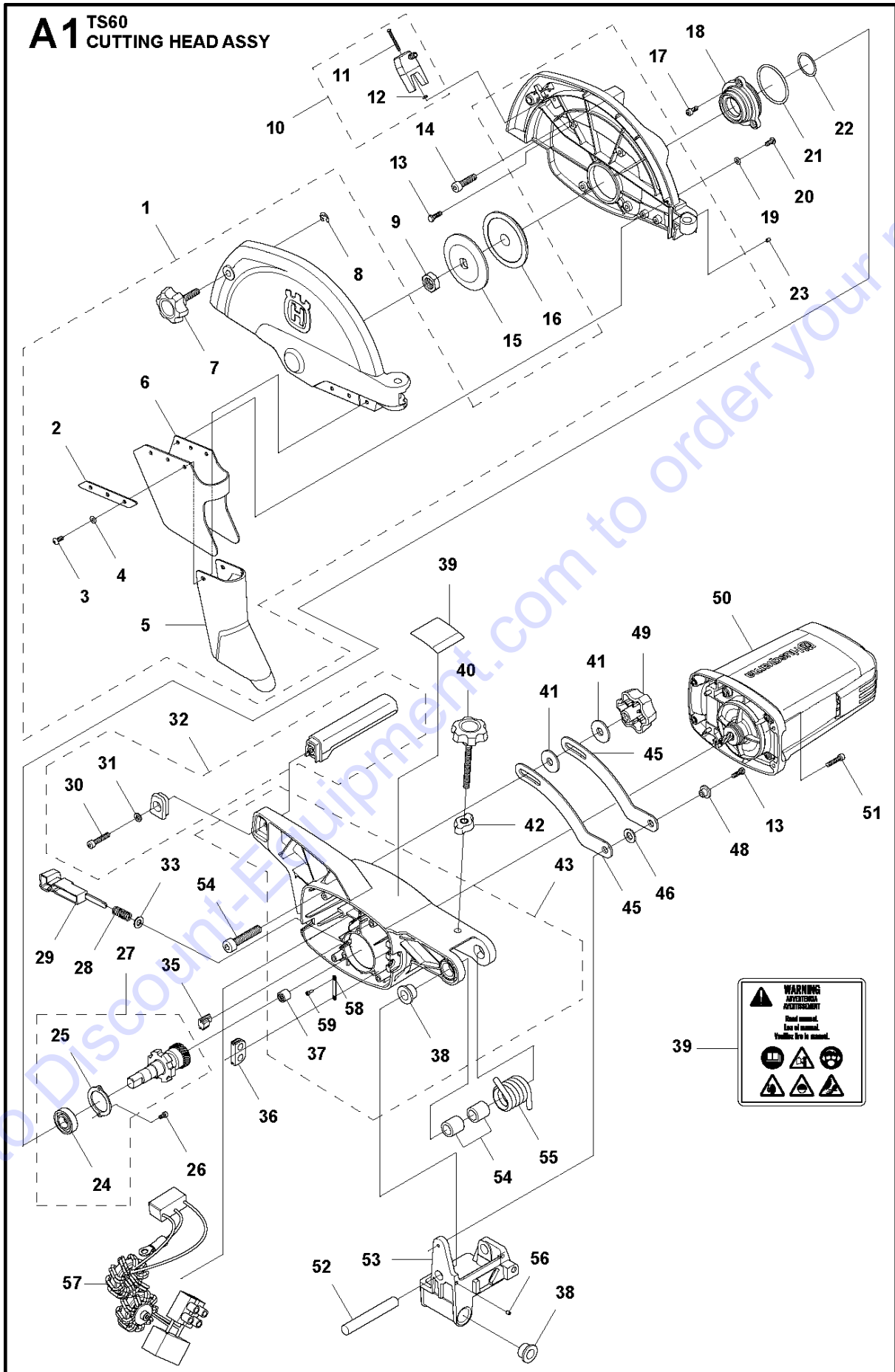
TS60

Ref	Part No	Description	Remark	QTY KIT
1	510 22 54-01	CART	KIT	1
2	578 90 60-01	PAD KIT	1	1
3	576 14 55-02	COVER	1	2
4	724 11 91-51	SCREW CRPANM	1	2
5	576 13 98-01	SCALE	1	1
6	579 07 17-01	KNOB	1	2
7	510 22 54-47	HANDLE		1
8	522 46 84-04	CART		1
9	728 53 23-01	SCREW IHSETM		2
10	725 23 27-71	SCREW EHHM		2
11	521 92 21-01	GASKET		1
12	521 91 59-01	MANIFOLD		1
13	725 53 23-01	SCREW IHSCM		4
14	729 53 40-01	SCREW CCRPANT		4
15	579 07 15-01	TRAY		1
16	579 07 16-01	BAR		1
17	725 23 31-71	SCREW EHHM		1
18	577 93 51-01	SPRING		2
19	510 22 54-67	BRACKET		2
20	734 11 46-01	WASHER		12
21	725 23 29-71	SCREW EHHM		8
22	510 22 54-12	ROLLER		6

Go to [Discount-Equipment.com](http://Discount-Equipment.com) to order your parts

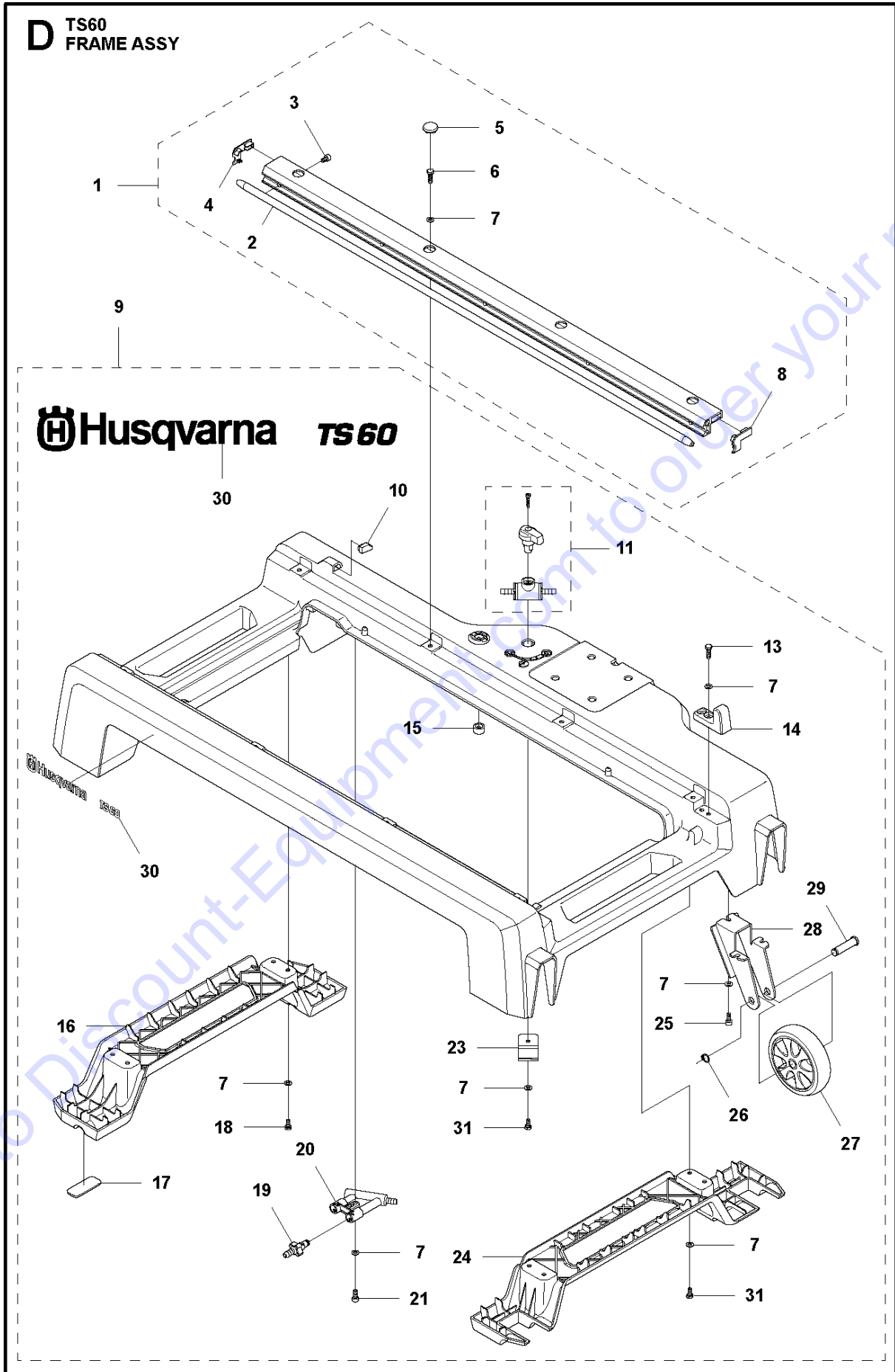


# A1 TS60 CUTTING HEAD ASSY



Ref	Part No	Description	Remark	QTY KIT	
1	522 46 84-10	BLADE GUARD	KIT	1	
2	510 22 54-51	PLATE		1	1
3	522 95 70-03	SCREW IH PANM		6	1
4	734 11 46-09	WASHER		6	1
5	510 22 54-61	SPLASH GUARD	REAR	1	1
6	510 22 54-62	SPLASH GUARD	SIDE	1	1
7	574 85 11-02	KNOB		1	1
8	735 31 12-20	E-CLIP		1	1
9	576 68 23-01	NUT		1	
10	576 19 91-03	NOZZLE	KIT	1	
11	724 12 34-01	CHAIN		1	10
12	731 23 10-01	HEXAGON NUT		1	10
13	725 23 29-71	SCREW EHHM		4	
14	725 54 55-21	SCREW IHSCM		1	
15	575 63 68-01	FLANGE		1	
16	575 63 64-01	FLANGE	US, arbor size 5/8 inch / 16 mm	1	
16	584 22 55-01	FLANGE	Non US, arbor size 25.4 mm	1	
17	725 53 27-01	SCREW IHSCM		3	
18	523 03 09-01	BEARING HOUSING		1	
19	734 11 46-09	WASHER		6	
20	522 95 70-03	SCREW IH PANM		6	
21	525 53 45-01	O-RING		1	
22	574 46 05-01	GASKET		1	
23	728 82 85-01	SCREW IHSETM		1	
24	525 60 54-01	BALL BEARING		1	26
25	523 02 29-01	LOCKING PLATE		1	26
26	725 52 87-01	SCREW IHSCM		2	
27	581 11 34-01	SHAFT	OUTPUT ASSY	1	
28	523 02 43-01	SPRING		1	
29	523 02 26-01	BUTTON		1	
30	725 53 74-01	SCREW IHSCM		1	32
31	734 11 52-01	WASHER		1	32
32	578 86 42-01	HANDLE KIT	KIT	1	
33	734 11 65-41	WASHER		1	
35	581 11 41-01	SEAL		1	
36	525 60 57-01	SEAL	120V	1	
36	585 01 87-01	SEAL	230V	1	
37	523 05 40-01	NEEDLE BEARING		1	43
38	522 94 62-01	BUSHING		2	43
39	581 01 43-01	DECAL		1	
39	581 01 43-02	DECAL	Only for Canada	1	
40	574 87 63-02	KNOB		1	
41	584 14 69-01	WASHER		2	
42	522 77 44-03	KNOB		1	
43	522 46 84-17	ARM		1	
45	510 22 54-63	BRACKET		2	
46	734 11 72-01	WASHER		1	
48	574 62 67-01	BUSHING		1	
49	574 85 09-02	KNOB		1	
50	525 80 52-02	MOTOR ASSY	230V	1	
50	525 80 52-01	MOTOR ASSY	120V	1	
51	575 33 53-02	SCREW IHSCM		1	
52	510 22 54-35	BRACKET		1	
53	510 22 54-33	BRACKET		1	
54	521 92 94-01	SPACER		2	
55	522 94 63-01	SPRING		1	
56	728 82 85-01	SCREW IHSETM		2	
57	580 90 05-01	FILTER	KIT (NOT US)	1	
58	577 85 80-01	CABLE CLAMP		1	
59	725 52 89-01	SCREW IHSCM		2	

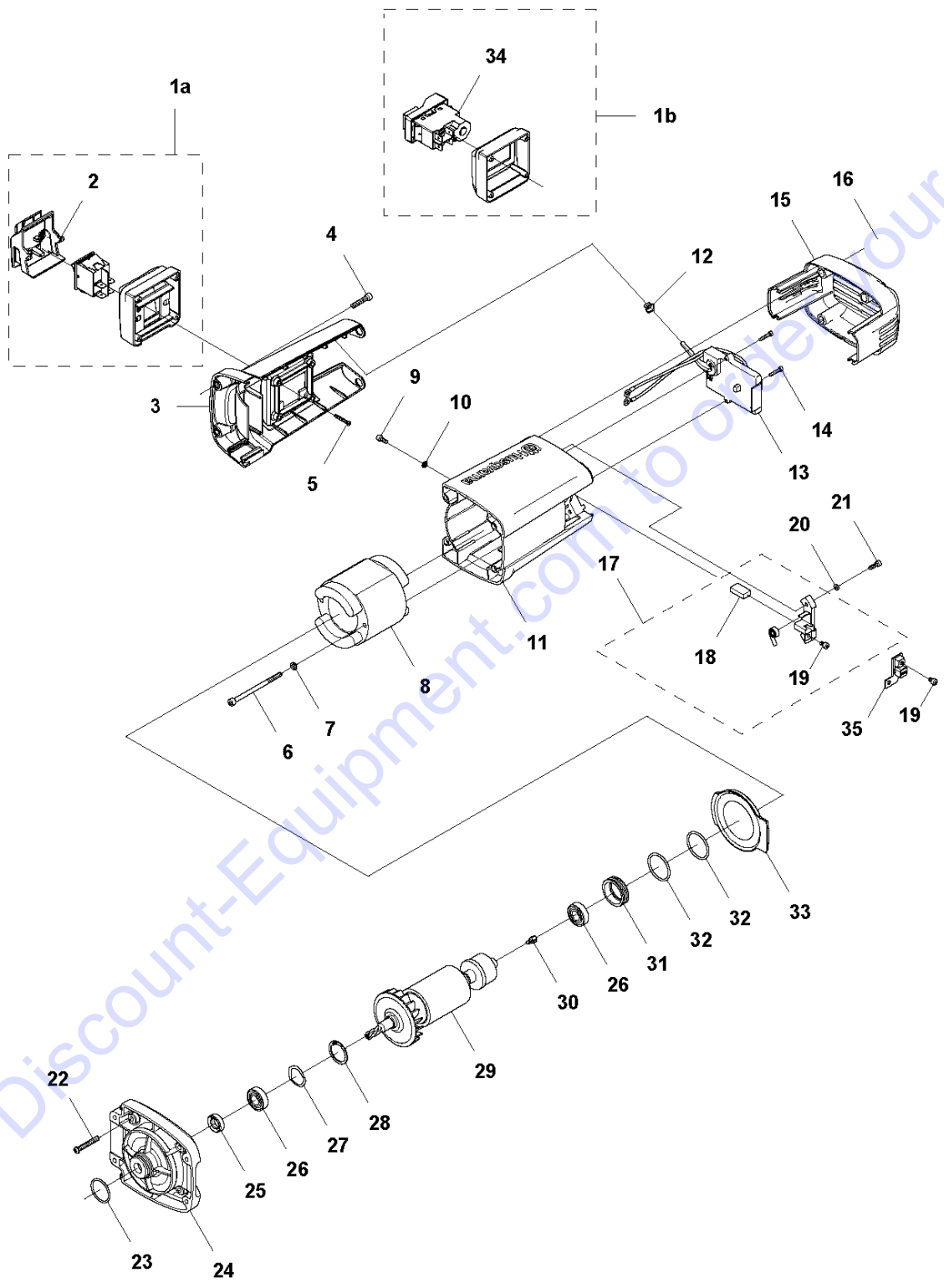
**D** TS60  
FRAME ASSY



Ref	Part No	Description	Remark	QTY KIT
1	578 90 58-01	RAIL KIT	KIT	2
2	510 22 54-38	GUIDE RAIL		2
3	725 53 23-01	SCREW IHSCM		10
4	510 22 54-42	HUB CAP		2
5	577 73 58-01	HUB CAP		8
6	725 23 29-71	SCREW EHHM		8
7	734 11 46-01	WASHER		28
8	510 22 54-43	HUB CAP		2
9	578 90 59-01	FRAME	KIT	1
10	510 22 54-50	STOP		1
11	522 46 84-11	VALVE	KIT	1
13	725 23 29-71	SCREW EHHM		2
14	510 22 54-46	STOP		2
15	541 40 50-36	LEVEL BUBBLE		1
16	510 22 54-18	FRAME		4
17	510 22 54-36	FRAME		9
18	725 23 25-71	SCREW EHHM		2
19	578 86 48-01	VALVE KIT		1
20	522 73 07-01	VALVE		9
21	725 23 27-71	SCREW EHHM		1
23	510 22 54-64	BRACKET		1
24	510 22 54-19	FRAME		6
25	725 53 27-01	SCREW IHSCM		2
26	735 31 12-01	CIRCLIP		2
27	510 22 54-27	WHEEL		2
28	510 22 54-29	BRACKET		2
29	510 22 54-28	PEN		1
30	576 87 91-01	DECAL		1
31	725 23 25-71	SCREW EHHM		2

Go to Discount-Equipment.com to order your parts

**B** TS60  
MOTOR



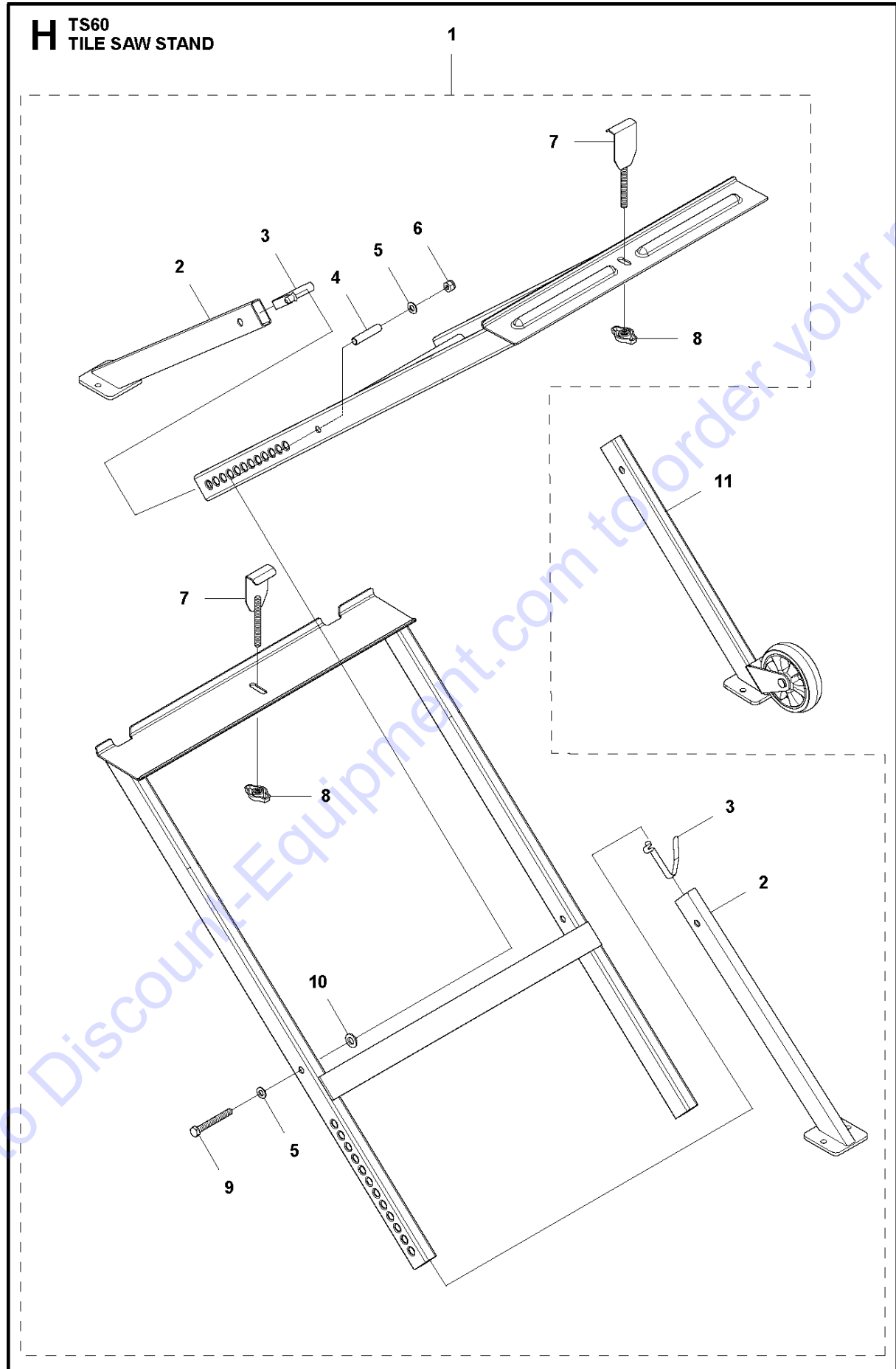
Go to Discount-Equipment.com to order your parts

## MOTOR

TS60

Ref	Part No	Description	Remark	QTY	KIT
1a	578 86 45-01	SWITCH KIT	120V	1	
1b	578 86 45-03	SWITCH KIT	230V	1	
2	523 02 42-01	LEVER		1	
3	523 05 22-01	FRONT COVER		1	
4	575 33 53-02	SCREW IHSCM		6	
5	525 47 63-03	SCREW ITXPANT		4	
6	725 53 47-55	SCREW IHSCM		2	
7	503 23 04-02	WASHER		2	
8	581 02 98-01	STATOR	120V	1	
8	523 02 37-02	STATOR	230V	1	
9	725 52 89-01	SCREW IHSCM		2	
10	735 21 36-01	LOCKWASHER		2	
11	576 42 18-01	MOTOR HOUSING		1	
11	576 42 18-02	MOTOR HOUSING	Only for Canada	1	
12	525 63 79-01	PROTECTIVE CAP		1	
13	581 14 21-01	HOLDER	120V	1	
13	525 83 53-02	HOLDER	230V	1	
14	525 47 63-04	SCREW ITXPANT		2	
15	523 05 21-01	INLET COVER		1	
16	575 33 53-01	SCREW IHSCM		4	
17	582 87 39-01	BRUSH HOLDER	Contains two brushes and two springs	1	
18	581 08 69-01	BRUSH KIT	Contains two brushes and two springs	1	17
19	725 52 85-01	SCREW IHSCM	US: 2pcs	4	
20	735 11 36-50	SPRING WASHER		4	
21	725 52 91-01	SCREW IHSCM		4	
22	525 47 63-02	SCREW ITXPANT		4	
23	523 05 42-01	O-RING		1	
24	523 03 11-01	COVER		1	
25	501 00 83-01	SEALING		1	
26	575 98 49-01	BALL BEARING		2	
27	501 00 84-01	SPRING WASHER		1	
28	735 31 28-10	CIRCLIP		1	
29	581 02 96-01	ROTOR	120V	1	
29	523 02 36-02	ROTOR	230V	1	
30	544 44 65-01	HOLDER ASSY		1	
31	544 12 30-01	BEARING SUPPORT		1	
32	503 26 30-03	O-RING		2	
33	523 02 33-01	AIR CONDUCTOR		1	
34	580 85 87-01	SWITCH	230V	1	1b
35	580 90 07-01	FILTER	NOT US	2	

Go to Discount-Equipment.com to order your parts



Go to Discount-Equipment.com to order your parts

## STANDS

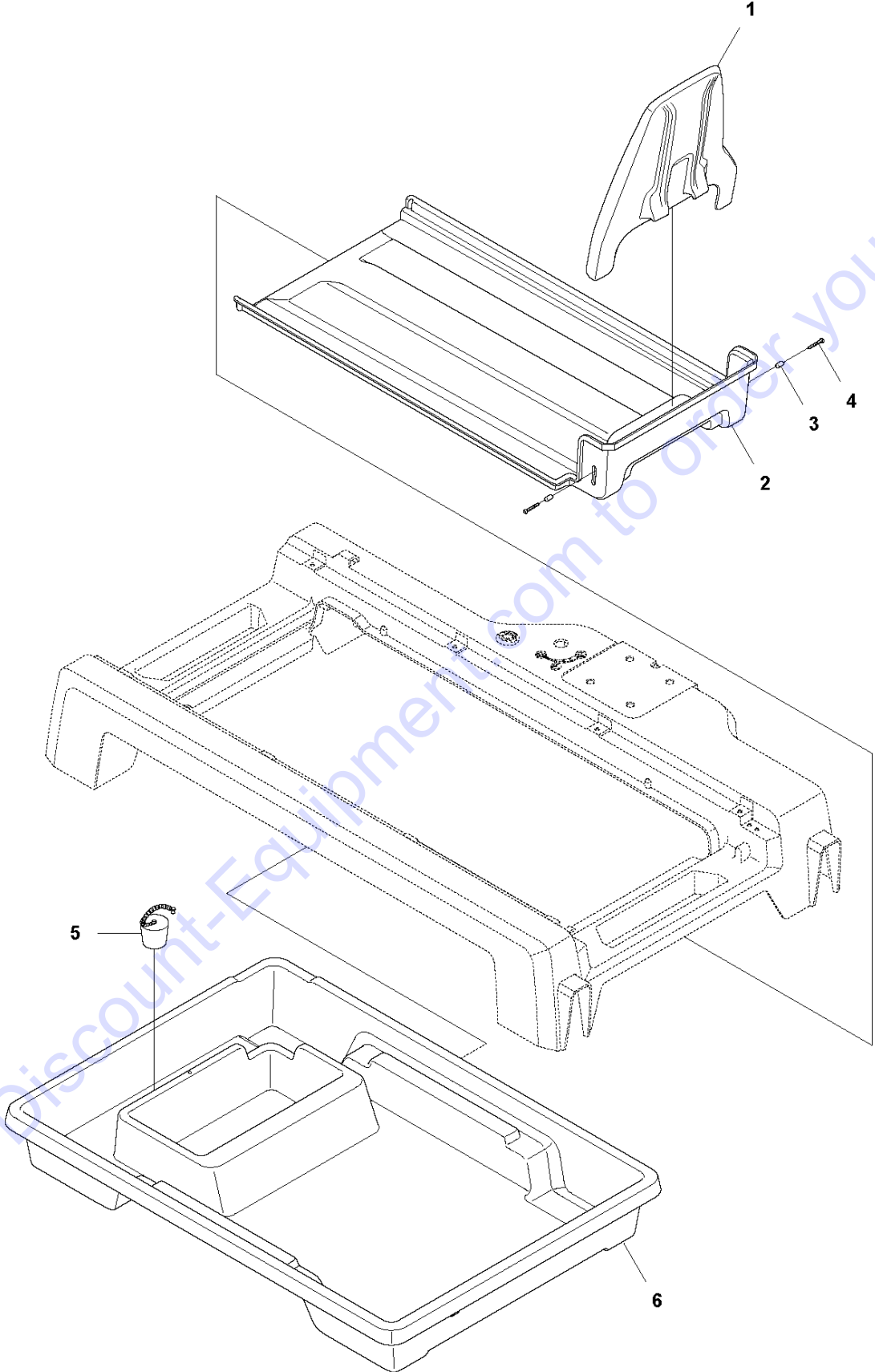
TS60

Ref	Part No	Description	Remark	QTY KIT	
1	578 90 61-01	STAND KIT	Complete	1	
2	522 45 73-19	STAND		4	1
3	577 81 83-01	BUTTON		4	1
4	522 45 73-13	STAND		2	1
5	734 11 63-01	WASHER		4	1
6	732 25 18-01	HEXAGON LOCKING NUT		2	1
7	577 81 69-01	CLAMP		2	1
8	522 77 44-03	KNOB		2	1
9	725 24 64-51	SCREW EHHM		2	1
10	734 11 72-01	WASHER		2	1
11	583 89 02-01	WHEEL KIT	NOT STANDARD	2	

Go to [Discount-Equipment.com](http://Discount-Equipment.com) to order your parts



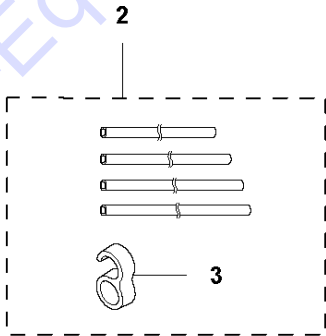
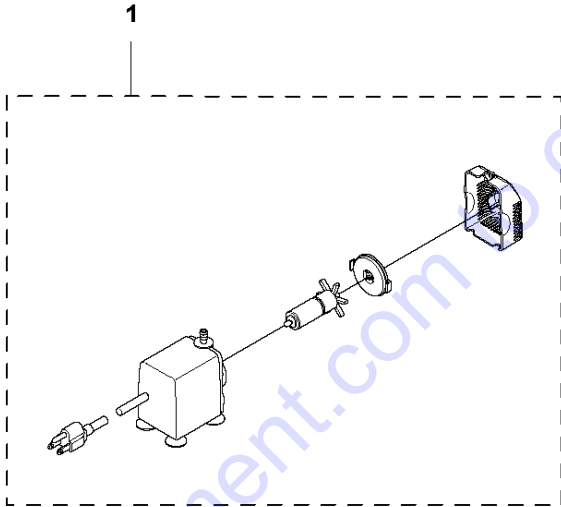
**C** TS60  
WATER PAN ASSY



Ref	Part No	Description	Remark	QTY KIT
1	577 81 68-01	SPLASH GUARD		1
2	510 22 54-15	SAW		1
3	577 84 71-01	SLEEVE		2
4	525 47 63-03	SCREW ITPANT		2
5	583 95 17-01	PLUG KIT		1
6	510 22 54-14	TRAY		1

Go to [Discount-Equipment.com](http://Discount-Equipment.com) to order your parts

**F** TS60  
WATER PUMP AND TUBE ASSY



Go to Discount-Equipment.com to order your parts

Ref	Part No	Description	Remark	QTY	KIT
1	525 82 56-03	PUMP	120V	1	
1	577 52 01-05	PUMP	230V	1	
2	585 42 78-01	TUBE		1	
3	585 16 93-01	HOSE CLIP		1	2

Go to [Discount-Equipment.com](http://Discount-Equipment.com) to order your parts

# PARTS FINDER

**Search Website  
by Part Number**



**Search Manual  
Library For Parts  
Manual & Lookup Part  
Numbers – Purchase  
or Request Quote**

**Search Manuals**

Enter your information to help us find the right parts manual for your machine.

\* Brand:

\* Model:

\* Serial:

\* Part Number:

SEARCH

**Can't Find Part or  
Manual? Request Help  
by Manufacturer,  
Model & Description**

**Parts Order Form**

Please fill in the following information to help us find the right part for your machine.

MANUFACTURER:

MODEL:

DESCRIPTION:

SEARCH

Discount-Equipment.com is your online resource for quality parts & equipment.

Florida: **561-964-4949** Outside Florida TOLL FREE: **877-690-3101**

**Need parts?**

Click on this link: <http://www.discount-equipment.com/category/5443-parts/> and choose one of the options to help get the right parts and equipment you are looking for. Please have the machine model and serial number available in order to help us get you the correct parts. If you don't find the part on the website or on one of the online manuals, please fill out the request form and one of our experienced staff members will get back to you with a quote for the right part that your machine needs.

We sell worldwide for the brands: Genie, Terex, JLG, MultiQuip, Mikasa, Essick, Whiteman, Mayco, Toro Stone, Diamond Products, Generac Magnum, Airman, Haulotte, Barreto, Power Blanket, Nifty Lift, Atlas Copco, Chicago Pneumatic, Allmand, Miller Curber, Skyjack, Lull, Skytrak, Tsurumi, Husquvarna Target, Stow, Wacker, Sakai, Mi-T-M, Sullair, Basic, Dynapac, MBW, Weber, Bartell, Bennar Newman, Haulotte, Ditch Runner, Menegotti, Morrison, Contec, Buddy, Crown, Edco, Wyco, Bomag, Laymor, EZ Trench, Bil-Jax, F.S. Curtis, Gehl Pavers, Heli, Honda, ICS/PowerGrit, IHI, Partner, Imer, Clipper, MMD, Koshin, Rice, CH&E, General Equipment, Amida, Coleman, NAC, Gradall, Square Shooter, Kent, Stanley, Tamco, Toku, Hatz, Kohler, Robin, Wisconsin, Northrock, Oztec, Toker TK, Rol-Air, APT, Wylie, Ingersoll Rand / Doosan, Innovatech, Con X, Ammann, Mecalac, Makinex, Smith Surface Prep, Small Line, Wanco, Yanmar