



Husqvarna®



Operator's manual
Manuel d'utilisation
Manual de instrucciones
TS60 US



US CA ES

Please read the operator's manual carefully and make sure you understand the instructions before using the machine.
Lire attentivement et bien assimiler le manuel d'utilisation avant d'utiliser la machine.
Lea detenidamente el manual de instrucciones y asegúrese de entender su contenido antes de utilizar la máquina.



TO PURCHASE THIS PRODUCT PLEASE CONTACT US



**Equipment Financing and
Extended Warranties Available**



**Discount-Equipment.com is your online resource for
commercial and industrial quality parts and equipment sales.**

561-964-4949

visit us on line @ www.discount-equipment.com

Select an option below to find your Equipment

Search by Manufacturer

Search by Product Type

Request a Quote

We sell worldwide for the brands: Genie, Terex, JLG, MultiQuip, Mikasa, Essick, Whiteman, Mayco, Toro Stone, Diamond Products, Generac Magnum, Airman, Haulotte, Barreto, Power Blanket, Nifty Lift, Atlas Copco, Chicago Pneumatic, Allmand, Miller Curber, Skyjack, Lull, Skytrak, Tsurumi, Husquvarna Target, Stow, Wacker, Sakai, Mi-T-M, Sullair, Basic, Dynapac, MBW, Weber, Bartell, Bennar Newman, Haulotte, Ditch Runner, Menegotti, Morrison, Contec, Buddy, Crown, Edco, Wyco, Bomag, Laymor, EZ Trench, Bil-Jax, F.S. Curtis, Gehl Pavers, Heli, Honda, ICS/PowerGrit, IHI, Partner, Imer, Clipper, MMD, Koshin, Rice, CH&E, General Equipment, Amida, Coleman, NAC, Gradall, Square Shooter, Kent, Stanley, Tamco, Toku, Hatz, Kohler, Robin, Wisconsin, Northrock, Oztec, Toker TK, Rol-Air, APT, Wylie, Ingersoll Rand / Doosan, Innovatech, Con X, Ammann, Mecalac, Makinex, Smith Surface Prep, Small Line, Wanco, Yanmar

KEY TO SYMBOLS

Symbols on the machine

WARNING! The machine can be a dangerous tool if used incorrectly or carelessly, which can cause serious or fatal injury to the operator or others.

Please read the operator's manual carefully and make sure you understand the instructions before using the machine.

Always wear:

- Hearing protection
- Protective goggles or a visor
- Breathing mask

Warning! Never cut without using the blade guard.

Warning! Keep your hands and feet away from the blade.

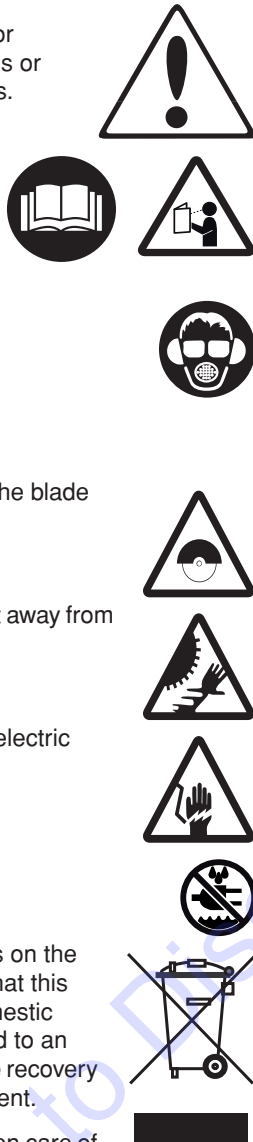
Warning! High voltage. Risk of an electric shock.

Do not expose for rain.

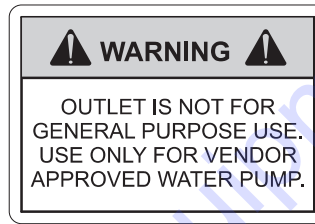
Environmental marking. Symbols on the product or its packaging indicate that this product cannot be handled as domestic waste. It must instead be submitted to an appropriate recycling station for the recovery of electrical and electronic equipment.

By ensuring that this product is taken care of correctly, you can help to counteract the potential negative impact on the environment and people that can otherwise result through the incorrect waste management of this product.

For more detailed information about recycling this product, contact your municipality, your domestic waste service or the shop from where you purchased the product.



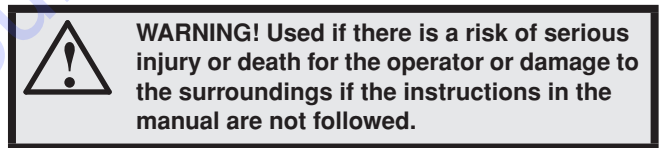
Other symbols/decals on the machine refer to special certification requirements for certain markets.



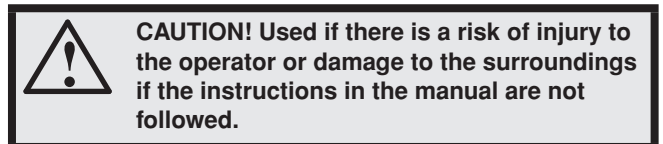
Explanation of warning levels

The warnings are graded in three levels.

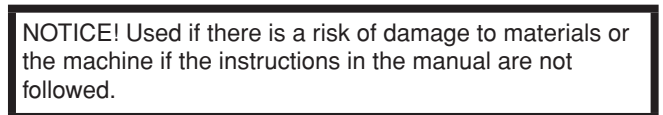
WARNING!



CAUTION!



NOTICE!



CONTENTS

Contents

KEY TO SYMBOLS

Symbols on the machine	2
Explanation of warning levels	2

CONTENTS

Contents	3
Note the following before starting:	3

PRESENTATION

Dear customer!	4
Design and features	4
TS60	4

WHAT IS WHAT?

What is what on the machine?	5
------------------------------------	---

MACHINE'S SAFETY EQUIPMENT

General	6
---------------	---

BLADES

General	7
Transport and storage	7

ASSEMBLING AND ADJUSTMENTS

General	8
Depth stop adjustment	10
Level the saw	10
Guide rollers	10
Fit the blade	11

OPERATING

Protective equipment	12
General safety precautions	12
Electrical safety	13
Work safety	13
Basic working techniques	14
Transport and storage	14

STARTING AND STOPPING

Before starting	15
Starting	15
Stopping	15

MAINTENANCE

General	16
Daily maintenance	16
Replacing the carbon brushes	16
Water pump	16
Water drain	16
Repairs	16

TECHNICAL DATA

Technical data	17
Recommended cable dimensions	17

US WARRANTY STATEMENT

WARRANTY POLICY	18
EQUIPMENT	18

WIRING DIAGRAM

Wiring diagram	19
----------------------	----

Note the following before starting:



WARNING! Cutting, especially when DRY cutting, generates dust that comes from the material being cut, which frequently contains silica. Silica is a basic component of sand, quartz, brick clay, granite and numerous other minerals and rocks. Exposure to excessive amount of such dust can cause:

Respiratory disease (affecting your ability to breath), including chronic bronchitis, silicosis and pulmonary fibrosis from exposure to silica. These diseases may be fatal;

Skin irritation and rash.

Cancer according to NTP* and IARC* */ National Toxicology Program, International Agency for Research on Cancer

Take precautionary steps:

Avoid inhalation of and skin contact with dust, mist and fumes.

Wear and ensure that all bystanders wear appropriate respiratory protection such as dust masks designed to filter out microscopic particles. (See OSHA 29 CFR Part 1910.1200)

Wet cut when feasible, to minimize dust.

PRESENTATION

Dear customer!

Thank you for choosing a Husqvarna product!

It is our wish that you will be satisfied with your product and that it will be your companion for a long time. A purchase of one of our products gives you access to professional help with repairs and services. If the retailer who sells your machine is not one of our authorised dealers, ask him for the address of your nearest service workshop.

This operator's manual is a valuable document. Make sure it is always at hand at the work place. By following its content (using, service, maintenance etc.) the life span and the second-hand value of the machine can be extended. If you ever lend or sell this machine, make sure that the borrower or buyer gets the operator's manual, so they will also know how to properly maintain and use it.

More than 300 years of innovation

Husqvarna AB is a Swedish company based on a tradition that dates back to 1689, when the Swedish King Charles XI ordered the construction of a factory for production of muskets. At that time, the foundation was already laid for the engineering skills behind the development of some of the world's leading products in areas such as hunting weapons, bicycles, motorcycles, domestic appliances, sewing machines and outdoor products.

Husqvarna is the global leader in outdoor power products for forestry, park maintenance and lawn and garden care, as well as cutting equipment and diamond tools for the construction and stone industries.

Owner responsibility

It is the owner's/employer's responsibility that the operator has sufficient knowledge about how to use the machine safely. Supervisors and operators must have read and understood the Operator's Manual. They must be aware of:

- The machine's safety instructions.
- The machine's range of applications and limitations.
- How the machine is to be used and maintained.

Local regulations could restrict the use of this machine. Find out what regulations are applicable where you work before you start using the machine.

The manufacturer's reservation

Subsequent to publishing this manual Husqvarna may issue additional information for safe operation of this product. It is the owner's obligation to keep up with the safest methods of operation.

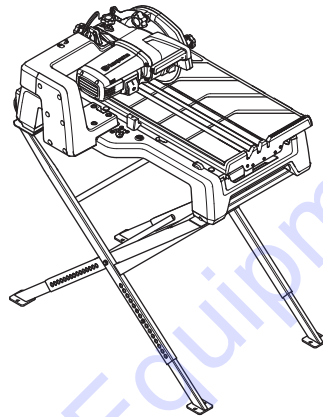
Husqvarna AB has a policy of continuous product development and therefore reserves the right to modify the design and appearance of products without prior notice.

Design and features

Values such as high performance, reliability, innovative technology, advanced technical solutions and environmental considerations distinguish Husqvarna's products. Safe operation of this product requires the operator to read this manual carefully. Ask Discount-equipment should you need more information.

Some of the unique features of your product are described below.

TS60



Softstart™

Softstart™ is an electronic current limiter which provides a softer start.

Elgard™

Elgard™ is an electronic overload protection that protects the motor. The protection spares the machine and extends its service life. With the help of Elgard™, the machine indicates when it approaches maximum load.

Lightweight and mobile design

The machine is lightweight and compact. The carry handles on the frame and transportation wheels make the machine easy to carry and move. The integrated wheels allow the saw to be pulled like a roller bag.

The stand is foldable and height adjustable.

Jet stream containment system with slurry protection

The patented Jet stream system provides the conveyor cart and the blade with water in a closed system.

The slurry sinks to the bottom and only surface water reaches the pump, which is placed in a protected compartment of the water tray.

The conveyor cart is continuously supplied with water. The water supply to the blade is adjustable.

Flexible cutting

Flexible plunge cutting and miter cutting up to 45°.

Enables cutting of 20"x20" mm (500x500) tile diagonally giving a cutting length of 28" (718 mm).

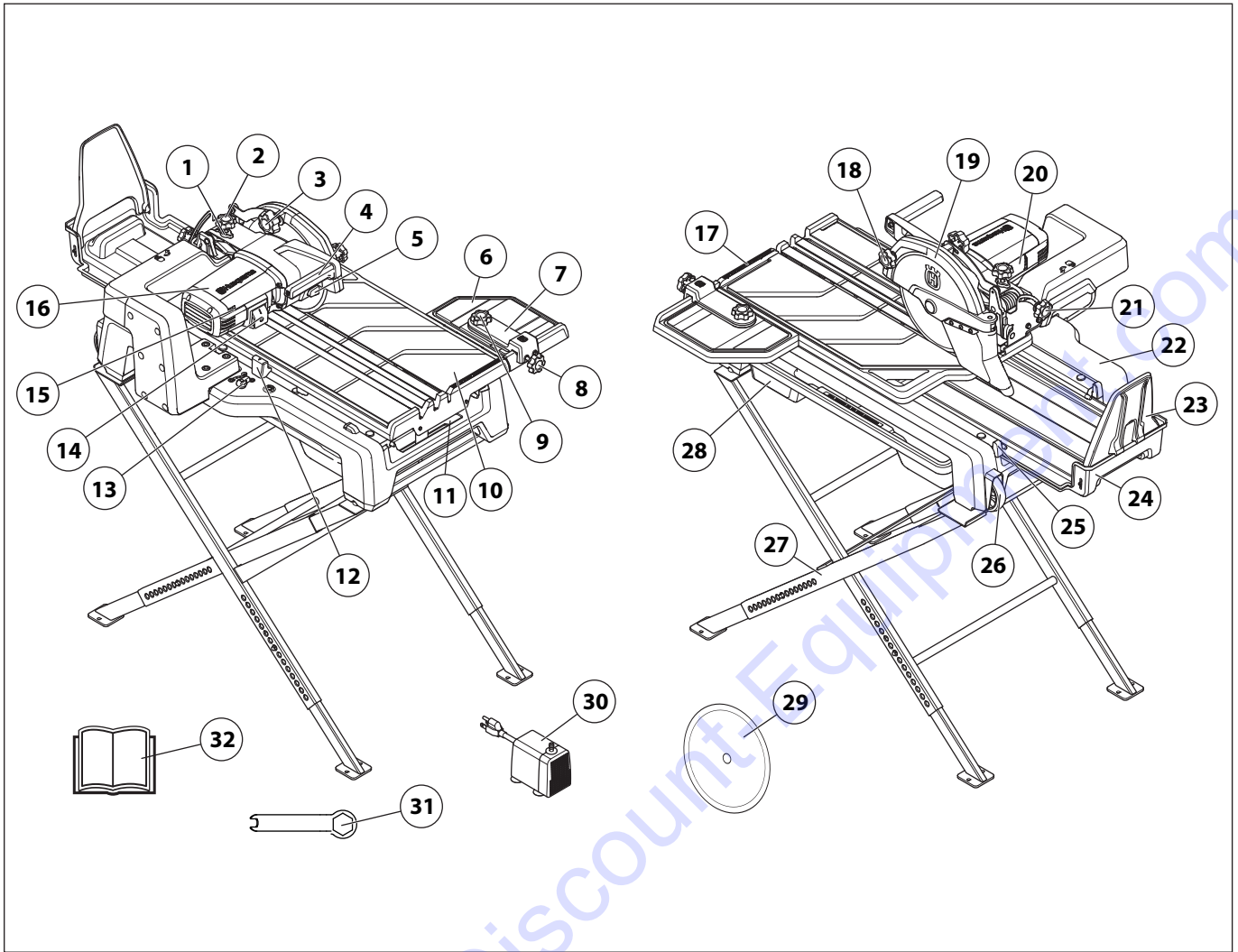
Functional conveyor cart and side table

The conveyor cart is extra long for better support when cutting. The side table is removable.

Large blade flange

The large size blade flange Ø 3" (82 mm) provides a large and good support surface for the blade.

WHAT IS WHAT?



What is what on the machine?

- | | |
|--|---|
| 1 Locking nut, depth stop adjustment | 17 Adjustable ruler |
| 2 Knob, depth stop adjustment | 18 Locking knob, blade guard |
| 3 Locking knob, depth adjustment | 19 Blade Guard |
| 4 Handle, cutting arm | 20 Product and type plate |
| 5 Button, locking blade shaft | 21 Locking knob, miter cutting |
| 6 Side table | 22 Frame |
| 7 Cutting guide | 23 Splash guard |
| 8 Locking knob, cutting guide | 24 Slurry collector tray |
| 9 Locking knob, angle adjustment cutting guide | 25 Cart stop |
| 10 Conveyor cart | 26 Transport wheels |
| 11 Water recovery tray | 27 Folding stand legs |
| 12 Locking knob, conveyor cart | 28 Water tray |
| 13 Water knob, water to blade ON/OFF | 29 Blade - Husqvarna GS2 varicut S (10", Ø250 mm) |
| 14 Power switch | 30 Water pump |
| 15 Load indicator, Elgard™ | 31 Spanner |
| 16 Electric motor | 32 Operator's manual |

MACHINE'S SAFETY EQUIPMENT

General



WARNING! Never use a machine that has faulty safety equipment!

WARNING! If your machine fails any checks contact Discount-equipment to get it repaired.

This section describes the machine's safety equipment, its purpose, and how checks and maintenance should be carried out to ensure that it operates correctly.

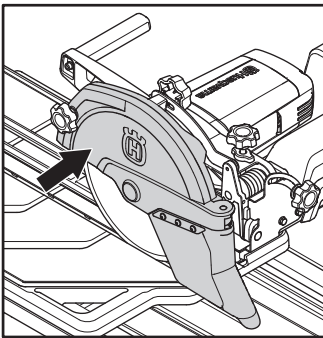
Blade guard



WARNING! Never use the machine without a guard nor with a defective guard. Always check that the guard is correctly fitted before starting the machine.

It is not permitted to expose the blade more than 180 degrees without protection.

The blade guard is designed to prevent parts of the blade or cutting fragments from being thrown towards the user.



Checking the blade guard



WARNING! Shut down the machine and disconnect the power plug.

- Check that the guard over the blade is not cracked or damaged in any other way. Replace when damaged.

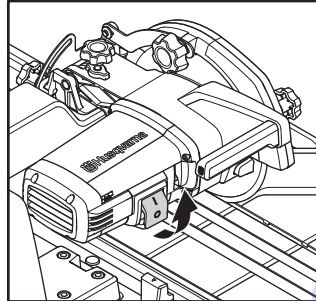
Power switch

The power switch should be used to start and stop the machine.

Checking the power switch

USA:

- Flip the power switch up to start the machine.

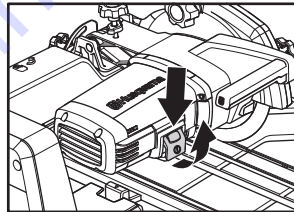


- Flip the power switch down to stop the machine.
- Check that the motor and the blade stop. Make sure that the cutting blade can rotate freely until it is completely stopped.

A defective power switch should be replaced by an authorized service workshop.

Canada:

- Push the insert down to release the lock and flip the power switch up to start the machine.

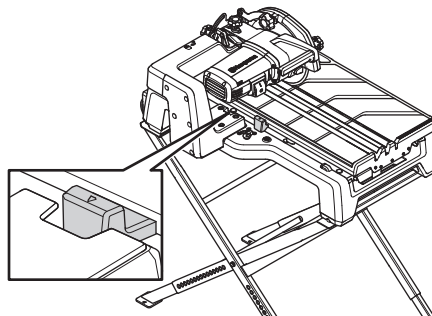


- Flip the power switch down to stop the machine. Check that the motor and the blade stop. Make sure that the cutting blade can rotate freely until it is completely stopped.

A defective power switch should be replaced by an authorized service workshop.

Locking knob, conveyor cart

The locking knob is used to lock the conveyor cart in place when in transit.



Water pump



WARNING! Submersible water pump. Do not run dry. For household use only. Must maintain grounding properly. Risk of electric shock. This pump has not been investigated for use in swimming pool areas.

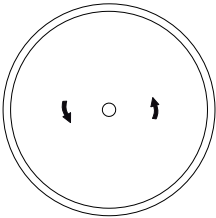
BLADES

General



WARNING! Blades can break and cause serious injuries to the user. Diamond blades become very hot when used. An overheated blade is a result of improper use, and may cause deformation of the blade, resulting in damage and injuries.

- Do not use an overheated blade.
- Make sure that the correct bushing is used for the cutting blade to be fitted on the machine. See the instructions under the heading Assembling the cutting blade.
- The blades should be marked with the same or a higher speed than that stated on the machine's rating plate. Never use a blade with a lower speed rating than that of the machine.
- When using diamond blades make sure that it rotates in the direction indicated by the arrow on the blade.



- Diamond blades consist of a steel core provided with segments or a continuous rim containing industrial diamonds.

Suitable blades

- 8" or 10" continuous rim blade. 8" profile wheel.

Blades for different materials



WARNING! Never use a blade for any other materials than that it was intended for.

Cutting plastics with a diamond blade can cause kickback when the material melts due to the heat produced when cutting and sticks to the blade. Never cut plastic materials with a diamond blade!

- Blade selection should be made according to the material being cut. Ask your dealer for help in choosing the right product.

Blade vibrations

- The blade can become out of round and vibrate if a too high feed pressure is used.
- A lower feed pressure can stop the vibration. Otherwise replace the blade.

Sharpening diamond blades

- Always use a sharp diamond blade.
- Diamond blades can become dull when the wrong feeding pressure is used or when cutting certain materials such as heavily reinforced concrete. Working with a dull diamond blade causes overheating, which can result in the diamond segments coming loose.
- Sharpen the blade by cutting in a soft material such as sandstone or brick.

Transport and storage

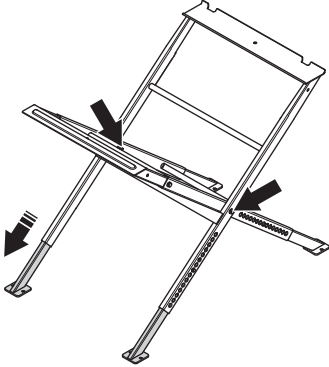
- Remove the blade before transportation or storage of the machine.
- Store the blade in a dry place.
- Inspect new blades for transport or storage damage.

ASSEMBLING AND ADJUSTMENTS

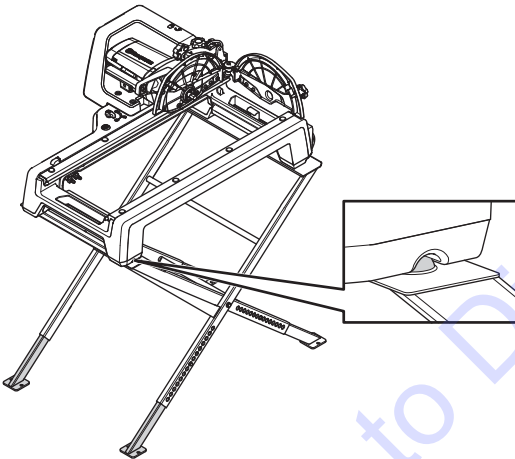
General

Place the TS60 on a flat, horizontal and stable surface to prevent the equipment from tipping over, sliding or walking on the surface.

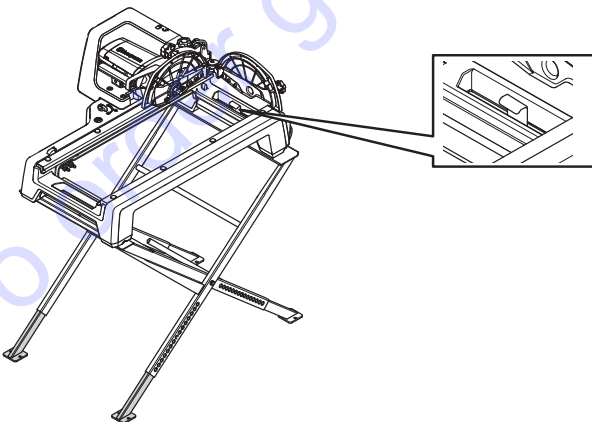
- Mount the frame legs together using the bolts. The legs can be folded together for easier transport.



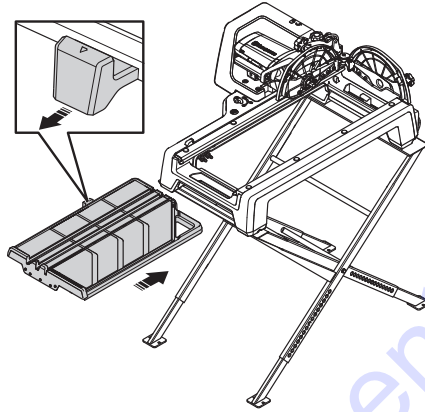
- Adjust the working height by releasing the spring loaded quick connector and slide the inner tube to wished height.
- Lift the saw on the stand. The slot on the saw must be aligned with the groove on the stand.



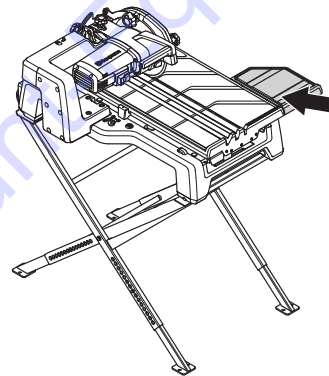
- Use the two clamps, one on each side, to fasten the frame on to the stand.



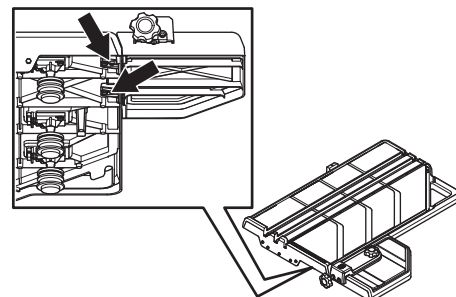
- The machine can also be used without frame legs or placed on a workbench.
- Pull out the locking knob on the conveyor cart.



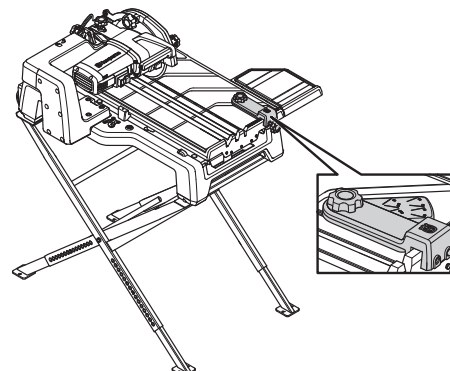
- Slide the conveyor cart onto the frame. Make sure that the support rollers sit correctly in the slot.
- When the locking knob past the lug on the frame, push the locking knob in to allow the conveyor cart to slide all the way in.
- Fit the side table using the supplied screws.



If the side table is not in level with the conveyor cart it may need adjustment. Adjust using the screws.

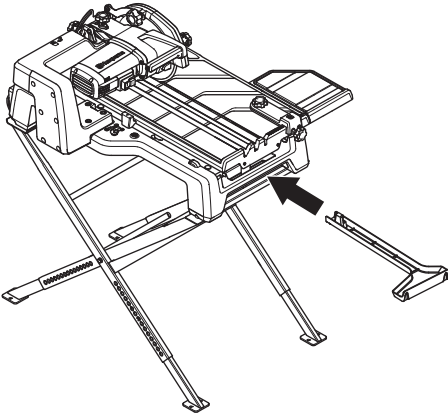


- Screw the cutting guide onto the conveyor cart. The guide can be folded outwards for angled cuts. Use the angle markings on the cutting guide to set the correct angle.

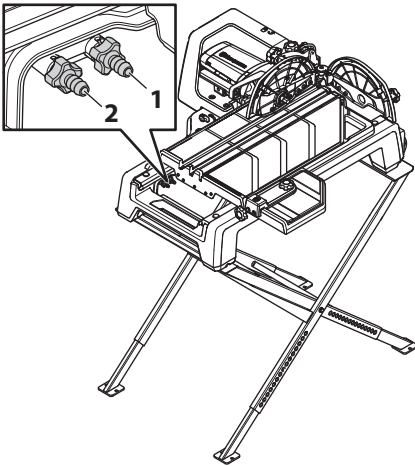


ASSEMBLING AND ADJUSTMENTS

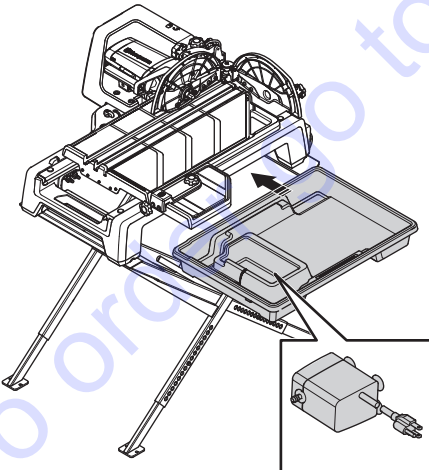
- Assemble the water recovery tray. Make sure that the plastic hook grips the metal bar under the cart.



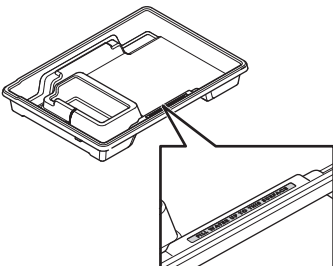
- Connect the water hose (2) and the water pump (1) to the connectors on the frame.



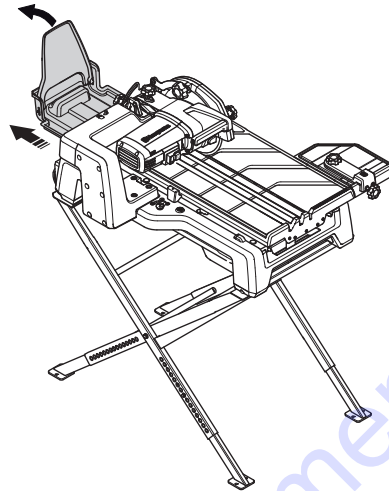
- Place the water pump in the water tray. The pump compartment should face towards the working position. Slide in the water tray.



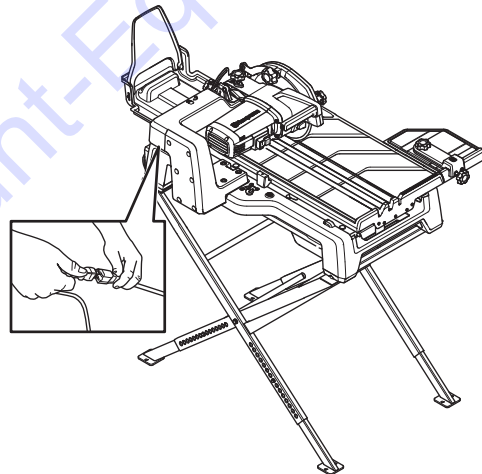
- Fill the water tray with water up to the marked level.



- Slide out the slurry collector tray and flip up the slurry collector tray extension.



- With a push, the slurry collector tray can be locked in its inner position.
- Connect the power cable for the water pump to the plug on the machine.



- Make sure the water level is maintained at this level when cutting.

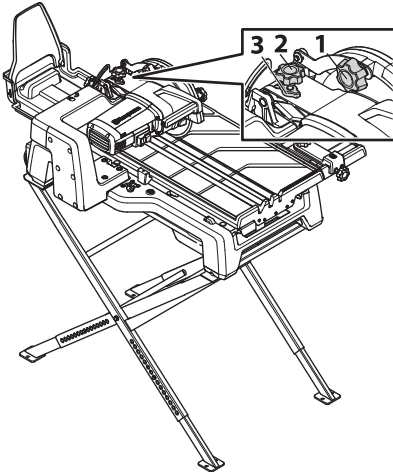
ASSEMBLING AND ADJUSTMENTS

Depth stop adjustment

Set the depth stop so that the blade gets maximum cutting depth without cutting into the cart. This allows the stream of water in the cart to be picked up by the blade and distributed as the working piece is cut.

The depth stop should be adjusted when switching to other blade sizes.

- Loosen the locking knob for depth setting (1) and lower the cutting arm.



- Loosen the lock nut (3).
- Loosen the depth stop adjustment knob (2).
- Push down the cutting arm until the blade hits the bottom of the slot in the cart.
- Hold down the cutting arm in this position.
- Screw the depth stop adjustment knob (2) down until it touches the bracket underneath to set the depth of the blade. Turn another turn to raise the head from the cart slightly.
- Tighten the locking nut (3).
- Tighten the locking knob for depth adjustment (1) with the cutting arm still pushed down to its lowest position.
- Check the position of the blade by moving the conveyor cart to its forward and rear end position. The blade should never hit the cart.

Level the saw

For the water system to perform as intended the machine is not allowed to tilt more than 1,5° length wise and 3° side to side.

- Position the machine on flat ground. Adjust the frame legs and use shimming material if needed to level the machine. Use the bubble to check the inclination.

Guide rollers

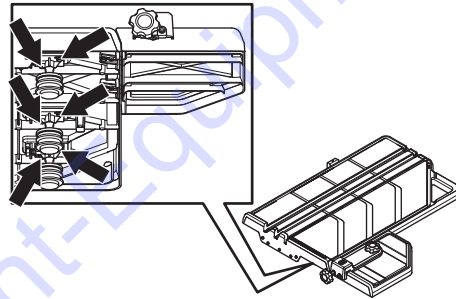
General

If the conveyor cart doesn't run smoothly or if the cart is rocking the rollers may need to be adjusted.

- Check that wheels and guides are clean.
- Check that the roller shafts are properly tightened.

Adjusting the guide rollers

- Place the cart in its middle position and lock it in place with the locking knob.
- Rotate the rollers by hand and check that all rollers can rotate freely using the same force. If not, the rollers may need to be realigned.
- Loose all adjustable brackets.

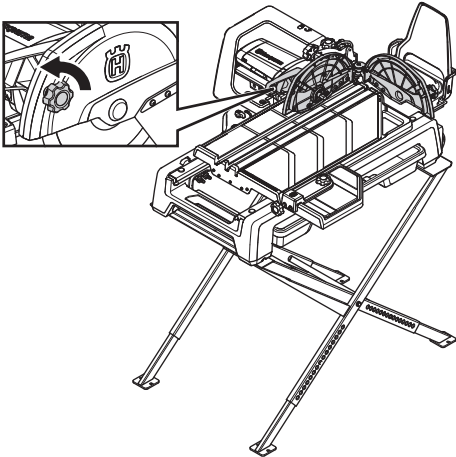


- Rock the cart back and forth to make sure that all brackets are loose. Let the force of the springs push all rollers towards the guides.
- Lock all rollers by tightening the screws on the roller brackets.

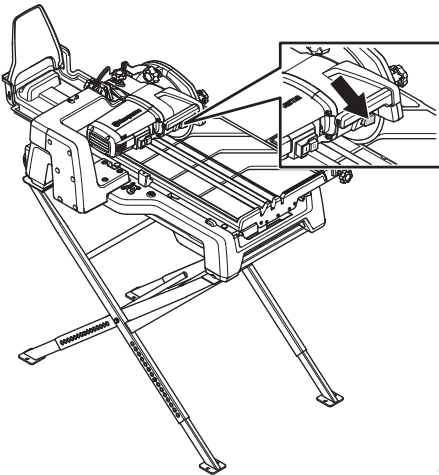
ASSEMBLING AND ADJUSTMENTS

Fit the blade

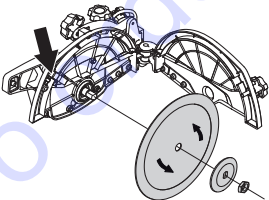
- Loosen the lock knob. Open the blade guard.



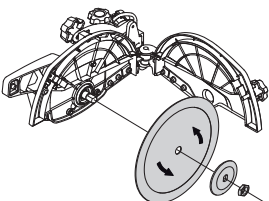
- Hold down the button for locking the blade shaft.



- Remove the nut. Remove the blade flange.
- Check that the blade, blade flange and blade shaft are undamaged. Clean the contact surfaces of the blade and the blade flange.
- Make sure that the blade will rotate in the direction indicated by the arrow on the blade.
- When mounting the blade pull out the spray nozzle and move it from or towards the centre axle depending on the size of the blade (10" or 8" blades).



- Fit the blade, blade flange and nut.



- Close the blade guard. Tighten the locking knob.

OPERATING

Protective equipment

General

Do not use the machine unless you are able to call for help in the event of an accident.

Personal protective equipment

You must use approved personal protective equipment whenever you use the machine. Personal protective equipment cannot eliminate the risk of injury but it will reduce the degree of injury if an accident does happen. Ask your dealer for help in choosing the right equipment.



WARNING! The use of products such as cutters, grinders, drills, that sand or form material can generate dust and vapors which may contain hazardous chemicals. Check the nature of the material you intend to process and use an appropriate breathing mask.



WARNING! Long-term exposure to noise can result in permanent hearing impairment. So always use approved hearing protection.

Listen out for warning signals or shouts when you are wearing hearing protection. Always remove your hearing protection as soon as the motor stops.



WARNING! There is always a risk of crush injuries when working with products containing moving parts. Wear protective gloves to avoid body injuries.

Always wear:

- Hearing protection
- Approved eye protection. If you use a face shield then you must also wear approved protective goggles. Approved protective goggles must comply with standard ANSI Z87.1 in the USA or EN 166 in EU countries. Visors must comply with standard EN 1731.
- Breathing mask
- Protective gloves.
- Hair covering to contain long hair.

Generally clothes should be close-fitting without restricting your freedom of movement. Be careful as clothing, long hair, and jewellery can get caught in moving parts.

Other protective equipment



WARNING! Sparks may appear and start a fire when you work with the machine. Always keep fire fighting equipment handy.

- Fire fighting equipment
- Always have a first aid kit nearby.

General safety precautions

This section describes basic safety directions for using the machine. This information is never a substitute for professional skills and experience.

- Please read the operator's manual carefully and make sure you understand the instructions before using the machine. Save all warnings and instructions for future reference.
- Keep in mind that the operator is responsible for accidents or hazards occurring to other people or their property.
- All operators shall be trained in the use of the machine. The owner is responsible for ensuring that the operators receive training.
- The machine must be kept clean. Signs and stickers must be fully legible.



WARNING! The machine can be a dangerous tool if used incorrectly or carelessly, which can cause serious or fatal injury to the operator or others.

Never allow children or other persons not trained in the use of the machine to use or service it. Never allow anyone else to use the machine without first ensuring that they have read and understood the contents of the operator's manual.

Never use the machine if you are fatigued, while under the influence of alcohol or drugs, medication or anything that could affect your vision, alertness, coordination or judgement.



WARNING! Unauthorized modifications and/or accessories may lead to serious injury or death to the user or others.

Do not modify this product or use it if it appears to have been modified by others.

Never use a machine that is faulty. Carry out the safety checks, maintenance and service instructions described in this manual. Some maintenance and service measures must be carried out by trained and qualified specialists. See instructions under the heading Maintenance.

Always use genuine accessories. Contact Discount-equipment for more information.

Always use common sense

It is not possible to cover every conceivable situation you can face. Always exercise care and use your common sense. If you get into a situation where you feel unsafe, stop and seek expert advice. Contact Discount-equipment. Do not attempt any task that you feel unsure of!

OPERATING

Electrical safety



WARNING! There is always a risk of shocks from electrically powered machines. Avoid unfavourable weather conditions and body contact with lightning conductors and metal objects. Always follow the instructions in the Operator's manual to avoid damage.

Never connect the machine to a outlet if plug or cord is damaged.



WARNING! When cleaning the machine make sure to avoid water entering the electrical system and the motor unit. Water can cause damage to the machine or short circuit.

- Check that the mains voltage corresponds with that stated on the rating plate on the machine.
- Inspection and/or maintenance should be carried out with the motor switched off and the plug disconnected.
- Always shut down the machine before disconnecting the power plug.
- Never drag the machine by means of the cord and never pull out the plug by pulling the cord. Hold the plug to disconnect the power cord.
- Never use the machine if any cable or plug is damaged, but hand it in to an authorized service workshop for repair.
- Always connect the machine through an ground fault circuit interrupter with personal protection, i.e. an ground fault circuit interrupter that trips at an ground fault of 30 mA.
- Prevent unintentional starting of the motor. Ensure the power switch is in the OFF-position before connecting the machine to a power source.

Grounding instructions



WARNING! Improper connection can result in the risk of electric shock. Contact a qualified electrician if in doubt as to whether the appliance is properly grounded.

Do not modify the plug. If it will not fit the outlet have a proper outlet installed by a qualified electrician. Make sure local regulations and ordinances are followed.

If the grounding instructions are not fully understood contact a qualified electrician.

- The machine is equipped with a grounded cord and plug and should always be connected to a grounded outlet. This reduces the risk of electric shock in the event of malfunction.

Extension cords and cables

- The marking on the extension cable must be the same or higher than the value stated on the machine's rating plate.
- Use grounded extension cables.
- **When operating a power tool outdoors, use an extension cord suitable for outdoor use.** Use of a cord suitable for outdoor use reduces the risk of electric shock.
- Keep the connection to the extension cord dry and off the ground.
- Keep cable away from heat, oil, sharp edges or moving parts. Damaged or entangled cable increase the risk of electric shock.
- Check that the cord and extension cord are intact and in good condition. Never use the machine if any cable or plug is damaged, but hand it in to an authorized service workshop for repair.
- To avoid overheating do not use the extension cord while it is rolled up.
- When using an extension cable, use only certified extension cables with sufficient reach. For more information, see "Recommended cable dimensions" in the "Technical data" section.

Work safety

Work area safety

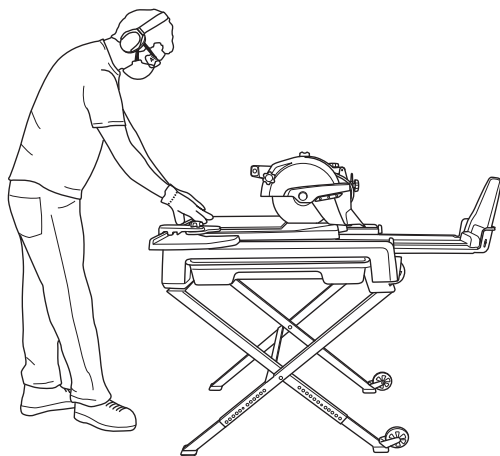
- **Keep work area clean and well lit.** Cluttered or dark areas invite accidents.
- People and animals can distract you causing you to lose control of the machine. For this reason, always remain concentrated and focused on the task.
- Do not use the machine in bad weather, such as dense fog, heavy rain, strong wind, intense cold, etc.
- Never start to work with the machine before the working area is clear and you have a firm foothold.

Personal safety

- Never use the machine if you are fatigued, while under the influence of alcohol or drugs, medication or anything that could affect your vision, alertness, coordination or judgement.
- Check that no tools or other objects have been left lying on the machine.
- Never allow anyone else to use the machine without proper training.
- Always shut off the machine during longer work breaks.
- Never work alone, always ensure there is another person close at hand.
- Learn how to use the machine and its controls safely and learn to how to stop quickly. Also learn to recognize the safety decals.
- Keep handles dry, clean and free from oil and grease.
- Do not overreach. Keep proper footing and balance at all times.
- Never stand on the machine.

OPERATING

- Stand upright. Keep distance between your face and the cutting blade. Place both hands on the work piece as far away from the cutting blade as possible. If plunge function is used is one hand placed on the cutting handle.

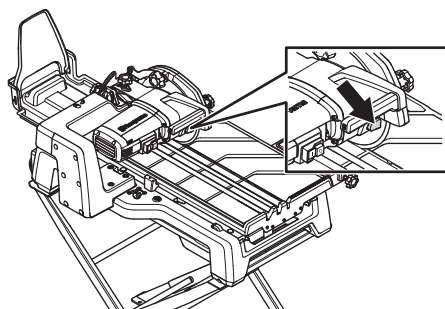


Use and care

- This machine is designed and intended for cutting tile and stone. All other use is improper.
- Experience is very important when running the machine. A skilled worker is highly recommended.
- The machine is intended for use in industrial applications by experienced operators.
- Check that the machine is assembled correctly and do not show any signs of damage.
- Always perform daily maintenance before starting the engine. See instructions in the section "Maintenance".
- Do not overload the machine. Overloading can damage the machine.
- The blade shall be intended for the material to be cut.
- If you are uncertain of what blade to use contact Discount-equipment.
- Keep tools sharp and clean in order to enable safer work.
- Keep all parts in good working order and ensure that all fixtures are properly tightened. Replace all worn or damaged decals.
- Never leave the machine unsupervised with the motor running.
- Feed the work piece against the rotation of the blade only!
- Observe care when lifting. You are handling heavy parts, which imply the risk of pinch injuries or other injuries.

Water cooling to the blade

- Water cooling through the blade guard should always be used when miter cutting and when diagonal cutting 20" (500 mm) tile. The cut is longer than the cart and at the start of the cut, the blade will not pick up any water from the slot in the cart.
- Turn the water knob slightly to redirect water to the blade.
- When reaching the slot in the cart, the water to the blade can be shut off in order to keep the area as clean as possible.



Basic working techniques

Mitre cutting

The cutting arm can pivot up to 45° degrees. There is a marking at 22.5°.

- Loosen the lock knob for miter cutting and set the required angle.
- Lock the knob.

Plunge cutting

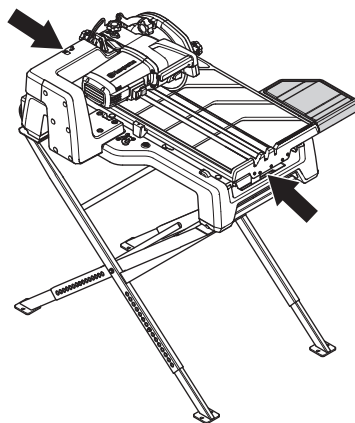
The cutting arm is spring loaded and adjustable up and down.

- Loosen the lock knob for the depth adjustment. With the handle on the cutting arm the cutting blade can adjust up and down and create a plunge cut in the work piece.

Transport and storage

Stop the motor and disconnect the power cable before lifting or moving the machine.

- Secure the equipment during transportation in order to avoid transport damage and accidents.
- Ensure that the conveyor cart is locked and that the extension slide is locked in its inner position.
- Store the equipment in a lockable area so that it is out of reach of children and unauthorized persons.
- For transport and storage of Blades, see the section "Blades".
- Lift the machine at the short ends.



STARTING AND STOPPING

Before starting



WARNING! Please read the operator's manual carefully and make sure you understand the instructions before using the machine.

Wear personal protective equipment. See instructions under the heading "Personal protective equipment".

Make sure no unauthorised persons are in the working area, otherwise there is a risk of serious personal injury.

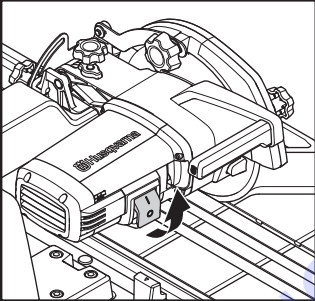
Prevent unintentional starting of the motor. Ensure the power switch is in the OFF-position before connecting the machine to a power source.

- Check that the machine is assembled correctly and do not show any signs of damage. See instructions in the section "Assembling and adjustments".
- Perform daily maintenance. See instructions in the section "Maintenance".

Starting

USA:

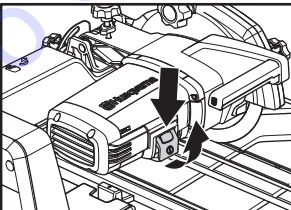
- Flip the power switch up to start the machine. The water pump starts automatically when the machine is started.



- Wait a few seconds for the water slots in the cart to be filled with water before starting to cut.

Canada:

- Push the insert down to release the lock and flip the power switch up to start the machine. The water pump starts automatically when the machine is started.



- Wait a few seconds for the water slots in the cart to be filled with water before starting to cut.

Stopping

- Flip the power switch down to stop the machine. Make sure that the cutting blade can rotate freely until it is completely stopped.

MAINTENANCE

General



WARNING! The user must only carry out the maintenance and service work described in this manual. More extensive work must be carried out by an authorized service workshop.

To prevent accidental starting, the steps described in this chapter must be performed with the motor off and the power cable removed from the socket, if not otherwise stated.

Wear personal protective equipment. See instructions under the heading "Personal protective equipment".

The life span of the machine can be reduced and the risk of accidents can increase if machine maintenance is not carried out correctly and if service and/or repairs are not carried out professionally. If you need further information please contact Discount-equipment.

Daily maintenance

- Check that the machine's safety equipment is undamaged. See instructions in the section "Machine's safety equipment".
- Clean the outside of the machine. Do not use a high pressure washer to clean the saw.
- Open the blade guard. Clean both the inside and outside, and close the blade guard.



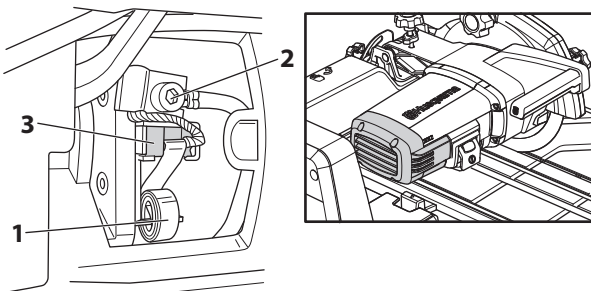
WARNING! Never clean motor and electric parts with water.

NOTICE! Clean the machine properly to prevent debris and small pieces of tile to enter and cause damage to the water system. If any back flushing water from the cart is flooding over the collector tray under the cart, remove the collector tray and clean it out. Reattach the collector tray.

Replacing the carbon brushes

The carbon brushes must be removed and checked regularly. Weekly if the machine is used daily or at longer intervals if the machine is used more seldom.

- Loosen the bolts holding the protective hood and then lift off the cover.
- Loosen the screw (2).
- Lift the brush retainer spring to one side (1).
- Pull out the coal brush from the holder (3).



- Fit the new carbon brush. Make sure to fit the carbon brush the right way and that it slides easily into the brush holder. If the carbon brush is fitted the wrong way, it can get stuck.
- Put the brush holder spring back into place.
- Insert the carbon brush connection under the screw.
- Repeat the procedure with the other carbon brush.
- Assemble the protective cover.

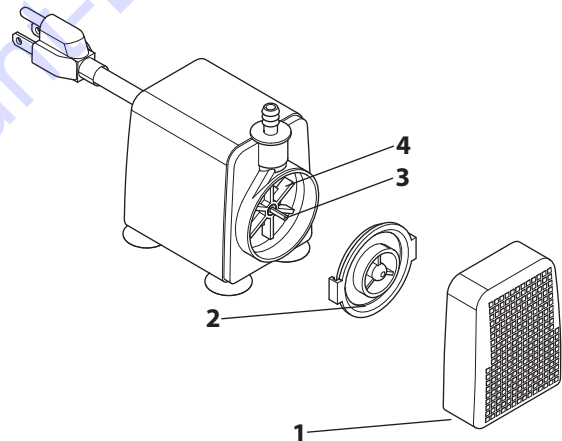
Water pump

Do the following if the water pump stops pumping water.

- Stop cutting.
- Shut down the machine and disconnect the power plug.
- Remove the water pump.

Clean the water pump

- Remove the water intake lid (1).
- Twist the impeller cover (2) and pull out.
- Pull out the impeller (4) and shaft (3) and clean the parts including the housing.



A cloth may be used to remove iron particles that might adhere to the magnetic rotor shaft.

Water drain

Clean the water recovery tray after every use.

- Stop the cutting.
- Lift the water recovery tray and pull to release the back of the water recovery tray.
- Lift up and release the plastic hook from under the cart.
- Clean the water recovery tray and put it back.

Repairs

All types of repairs may only be carried out by authorised repairmen. This is so that the operators are not exposed to great risks.

TECHNICAL DATA

Technical data

Engine	TS60, 120V
Power, hp/kW	2,3/1,7
Voltage, V	100-120
Phases	1
Frequency, Hz	50-60
Speed, rpm	3000
Water cooling	
Water pump, V	100-120
Water pump frequency, Hz	60
Water pump, A	0.48
Water pump Hmax, m	2,8
Water pump Qmax, l/h	1350
Water tank, gal/l	3.3/12,4
Cutting equipment	
Blade size - max, inch/mm	10/254
Saw depth - max, inch/mm	3/78
Cutting depth at 45° - max, inch/mm	1.8/45
Cutting length - max, inch/mm	28 5/8 / 726
Arbor size, inch/mm	5/8 / 16
Angle cutting	45° and 22,5°
Dimensions	
Weight, lb/kg	79/36
Weight - loaded, lb/kg	132.6/60
Size (LxWxH), inch/mm	37x28x18/932x700x468
Dimensions - loaded (Lx W x H), inch/mm	40x22x29/1007x565x745

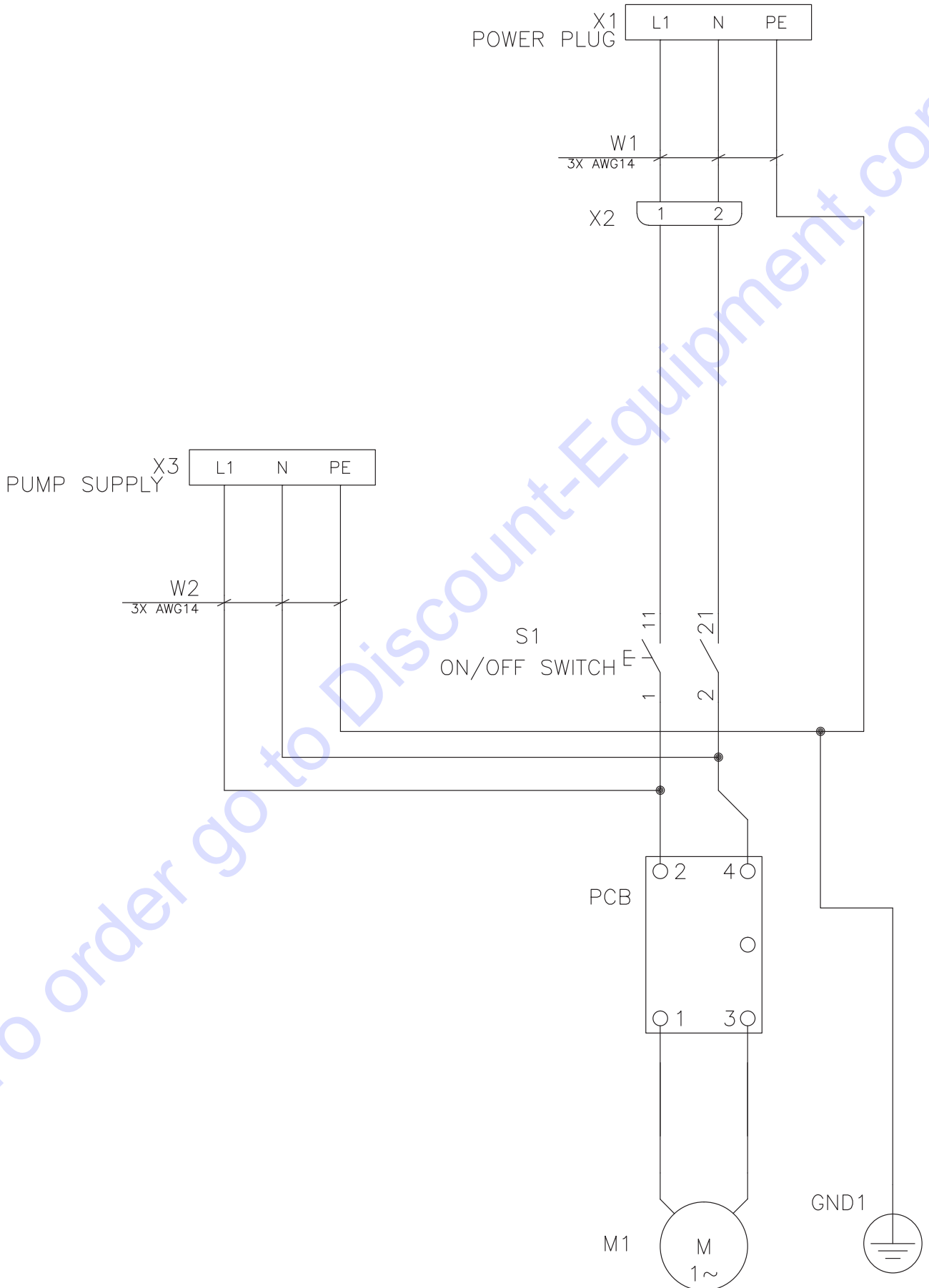
Recommended cable dimensions

NOTICE! Good motor performance depends on proper voltage. Extension cables that are too long and/or which have a gage that is too small, reduce power to the motor under load, resulting in reduced output or malfunctions.

WIRING DIAGRAM

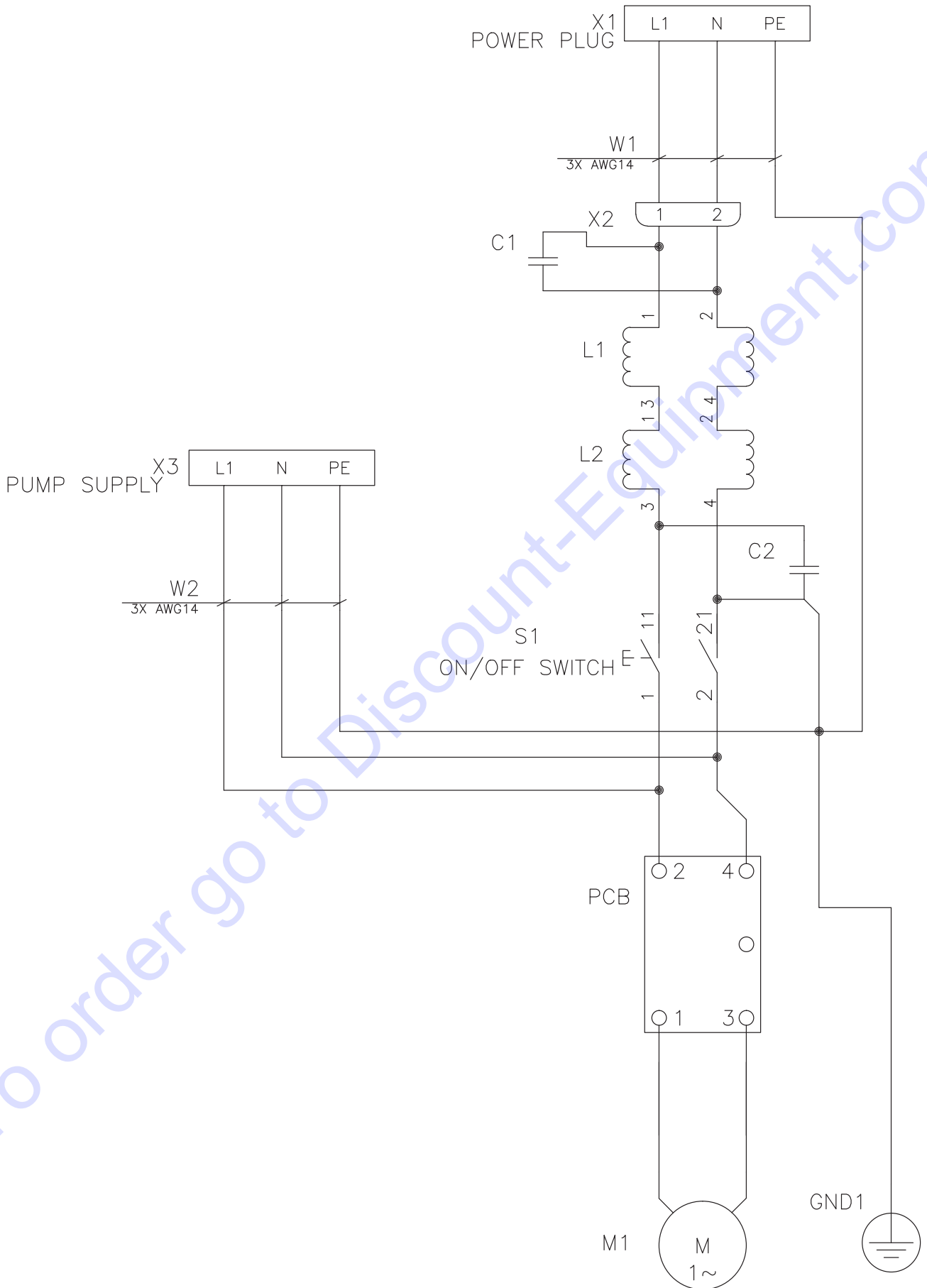
Wiring diagram

USA: 120V



WIRING DIAGRAM

Canada: 120V



EXPLICATION DES SYMBOLES

Symboles sur la machine

AVERTISSEMENT! La machine utilisée de manière imprudente ou inadéquate peut devenir un outil dangereux, pouvant causer des blessures graves voire mortelles à l'utilisateur et aux autres personnes présentes.



Lire attentivement et bien assimiler le manuel d'utilisation avant d'utiliser la machine.



Toujours utiliser:

- Protecteur d'oreilles
- Lunettes protectrices ou visière
- Masque respiratoire



Avertissement ! Ne procédez jamais à une découpe sans utiliser le protège-lame.



Avertissement ! Maintenir les mains et les pieds à distance de la lame.



Avertissement ! Haute tension. Risque de choc électrique.



Ne pas exposer à la pluie.



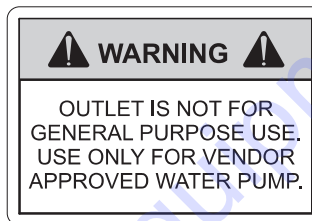
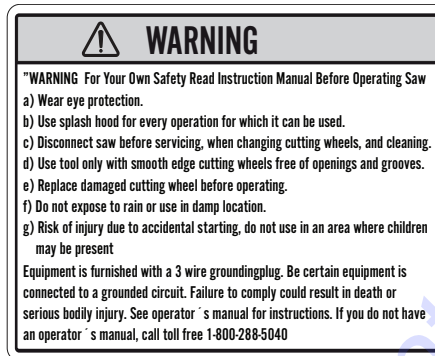
Marquage environnemental. Ce symbole figurant sur le produit ou sur son emballage indique que ce produit ne peut pas être traité comme déchet ménager. Il doit être collecté et amené à une installation de récupération appropriée de déchets d'équipements électriques et électroniques.



En veillant à ce que ce produit soit correctement éliminé, vous pouvez contribuer à prévenir les conséquences négatives potentielles sur l'environnement et les hommes, qui pourraient sinon être le résultat d'un traitement incorrect des déchets de ce produit.

Pour des informations plus détaillées sur le recyclage de ce produit, contactez votre commune ou le magasin où vous avez acheté le produit.

Les autres symboles/autocollants présents sur la machine concernent des exigences de certification spécifiques à certains marchés.



Explication des niveaux d'avertissement

Il existe trois niveaux d'avertissement.

AVERTISSEMENT!



AVERTISSEMENT! Symbole utilisé en cas de risque de blessures très graves ou de mort pour l'utilisateur ou de dommages pour les environs si les instructions du manuel ne sont pas suivies.

REMARQUE !



REMARQUE ! Symbole utilisé en cas de risque de blessures pour l'utilisateur ou de dommages pour les environs si les instructions du manuel ne sont pas suivies.

ATTENTION !

ATTENTION ! Symbole utilisé en cas de risque de dommages pour les matériaux ou la machine si les instructions du manuel ne sont pas suivies.

SOMMAIRE

Sommaire

EXPLICATION DES SYMBOLES

Symboles sur la machine	21
Explication des niveaux d'avertissement	21

SOMMAIRE

Sommaire	22
Contrôler les points suivants avant la mise en marche:	22

PRÉSENTATION

Cher client,	23
Conception et propriétés	23
TS60	23

QUELS SONT LES COMPOSANTS?

Quels sont les composants de la machine ?	24
---	----

ÉQUIPEMENT DE SÉCURITÉ DE LA MACHINE

Généralités	25
-------------------	----

LAMES

Généralités	26
Transport et rangement	26

MONTAGE ET RÉGLAGES

Généralités	27
Réglage de la butée de profondeur	29
Mise à niveau de la scie	29
Rouleaux de guidage	29
Monter la lame	30

COMMANDE

Équipement de protection	31
Instructions générales de sécurité	31
Sécurité électrique	32
Sécurité du travail	33
Techniques de travail de base	34
Transport et rangement	34

DÉMARRAGE ET ARRÊT

Avant le démarrage	35
Démarrage	35
Arrêt	35

ENTRETIEN

Généralités	36
Entretien quotidien	36
Remplacement des balais de charbon	36
Pompe à eau	37
Vidange d'eau	37
Réparations	37

CARACTÉRISTIQUES TECHNIQUES

Caractéristiques techniques	38
Dimensions recommandées des câbles	38

DECLARATION DE GARANTIE ETATS-UNIS

POLITIQUE DE GARANTIE	39
EQUIPEMENT	39

SCHÉMA ÉLECTRIQUE

Schéma électrique	40
-------------------------	----

Contrôler les points suivants avant

la mise en marche:



AVERTISSEMENT! La découpe, particulièrement la découpe à SEC soulève la poussière générée par le matériau coupé qui contient souvent de la silice. La silice est composée de sable, de quarts d'argile, de granit et de nombreuses autres substances minérales et rocheuses. L'exposition à une quantité excessive d'une telle poussière peut causer:

Des maladies respiratoires (altérant les facultés respiratoires), y compris bronchites chroniques, silicose et fibrose pulmonaire dues à une exposition à la silice. Ces maladies peuvent être fatales;

Irritation cutanée et démangeaisons.

Des cancers selon NTP* et IARC* */ National Toxicology Program, International Agency for Research on Cancer

Prendre des mesures préventives:

Éviter l'inhalation et le contact avec la peau de la poussière, des vapeurs et des fumées.

L'utilisateur et les personnes présentes sur le site doivent porter des protections respiratoires appropriées telles que des masques spécialement prévus pour filtrer les particules microscopiques. (Voir OSHA 29 CFR Partie 1910.1200)

Couper si possible en utilisant le jet d'eau afin de réduire la poussière dispersée.

PRÉSENTATION

Cher client,

Nous vous remercions d'avoir choisi un produit Husqvarna !

Nous espérons que cette machine vous donnera toute satisfaction et qu'elle vous accompagnera pendant de longues années. L'achat de l'un des nos produits garantit une assistance professionnelle pour l'entretien et les réparations. Si la machine n'a pas été achetée chez l'un de nos revendeurs autorisés, demandez l'adresse de l'atelier d'entretien le plus proche.

Ce mode d'emploi est précieux. Veillez à ce qu'il soit toujours à portée de main sur le lieu de travail. En suivant les instructions qu'il contient (utilisation, révision, entretien etc.), il est possible d'allonger considérablement la durée de vie de la machine et d'augmenter sa valeur sur le marché de l'occasion. En cas de vente de la machine, ne pas oublier de remettre le manuel d'utilisation au nouveau propriétaire.

Plus de 300 ans d'innovation

Husqvarna AB est une entreprise suédoise qui a vu le jour en 1689 lorsque le roi Karl XI décida de construire un arsenal pour la fabrication des mousquets. À l'époque, les compétences en ingénierie à la base du développement de certains des produits leaders du marché mondial dans des domaines tels que les armes de chasse, les vélos, les motos, l'électroménager, les machines à coudre et les produits d'extérieur, étaient déjà solides.

Husqvarna est le premier fournisseur mondial de produits motorisés pour utilisation en extérieur dans la foresterie, l'entretien de parcs, de pelouses et de jardins, ainsi que d'équipements de coupe et d'outils diamant destinés aux industries de la construction et de la pierre.

Responsabilité du propriétaire

Il est de la responsabilité du propriétaire/de l'employeur de s'assurer que l'utilisateur possède les connaissances nécessaires pour manipuler la machine en toute sécurité. Les responsables et les utilisateurs doivent avoir lu et compris le Manuel d'utilisation. Ils doivent avoir conscience :

- Des instructions de sécurité de la machine.
- Des diverses applications de la machine et de ses limites.
- De la façon dont la machine doit être utilisée et entretenue.

Les législations locales peuvent limiter l'utilisation de cette machine. Recherchez les législations applicables pour le lieu où vous travaillez avant d'utiliser la machine.

Droit de réserve du fabricant

Husqvarna peut éditer des informations complémentaires concernant l'utilisation de ce produit en toute sécurité après la publication du présent manuel. Il incombe au propriétaire de se tenir informé des méthodes d'utilisation les plus sûres.

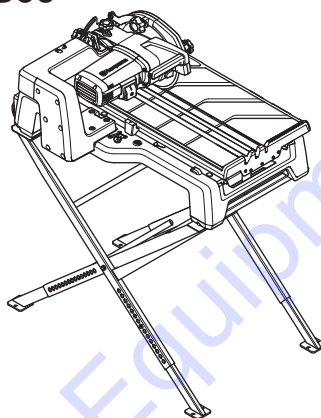
Husqvarna AB travaille continuellement au développement de ses produits et se réserve le droit d'en modifier, entre autres, la conception et l'aspect sans préavis.

Conception et propriétés

Les produits Husqvarna se distinguent par des valeurs telles que la haute performance, la fiabilité, la technologie innovante, les solutions techniques de pointe et les considérations environnementales. Pour utiliser ce produit en toute sécurité, l'utilisateur doit lire le manuel avec attention. Contactez votre revendeur Husqvarna pour obtenir de plus amples informations.

Certaines des caractéristiques uniques de votre produit sont décrites ci-dessous.

TS60



Softstart™

Softstart™ est un limiteur de courant électronique permettant un démarrage en douceur.

Elgard™

Elgard™ est un système électronique de protection du moteur contre la surcharge. Cette protection évite de trop solliciter la machine et allonge sa durée de vie. Grâce à Elgard™, la machine indique lorsque sa charge se rapproche du maximum.

Poids réduit et mobilité

La machine est légère et compacte. Les poignées du cadre et les roues facilitent le transport et le déplacement de la machine. Les roues intégrées permettent de tirer la scie comme un sac à roulettes.

Le socle peut se plier et se régler en hauteur.

Système de confinement de jet d'eau avec pare-boue

Le système de confinement de jet d'eau breveté envoie de l'eau en système fermé dans le chariot et sur la lame.

La boue se dépose dans le fond et seule l'eau superficielle atteint la pompe située dans un compartiment protégé du bac à eau.

Le chariot est constamment alimenté en eau. L'alimentation en eau de la lame est réglable.

Coupe flexible

Coupe en plongée flexible et coupe en biseau jusqu'à 45°.

Permet la coupe en diagonale de carreaux de 20" x 20" (500 x 500 mm) sur une longueur de coupe de 28" (718 mm).

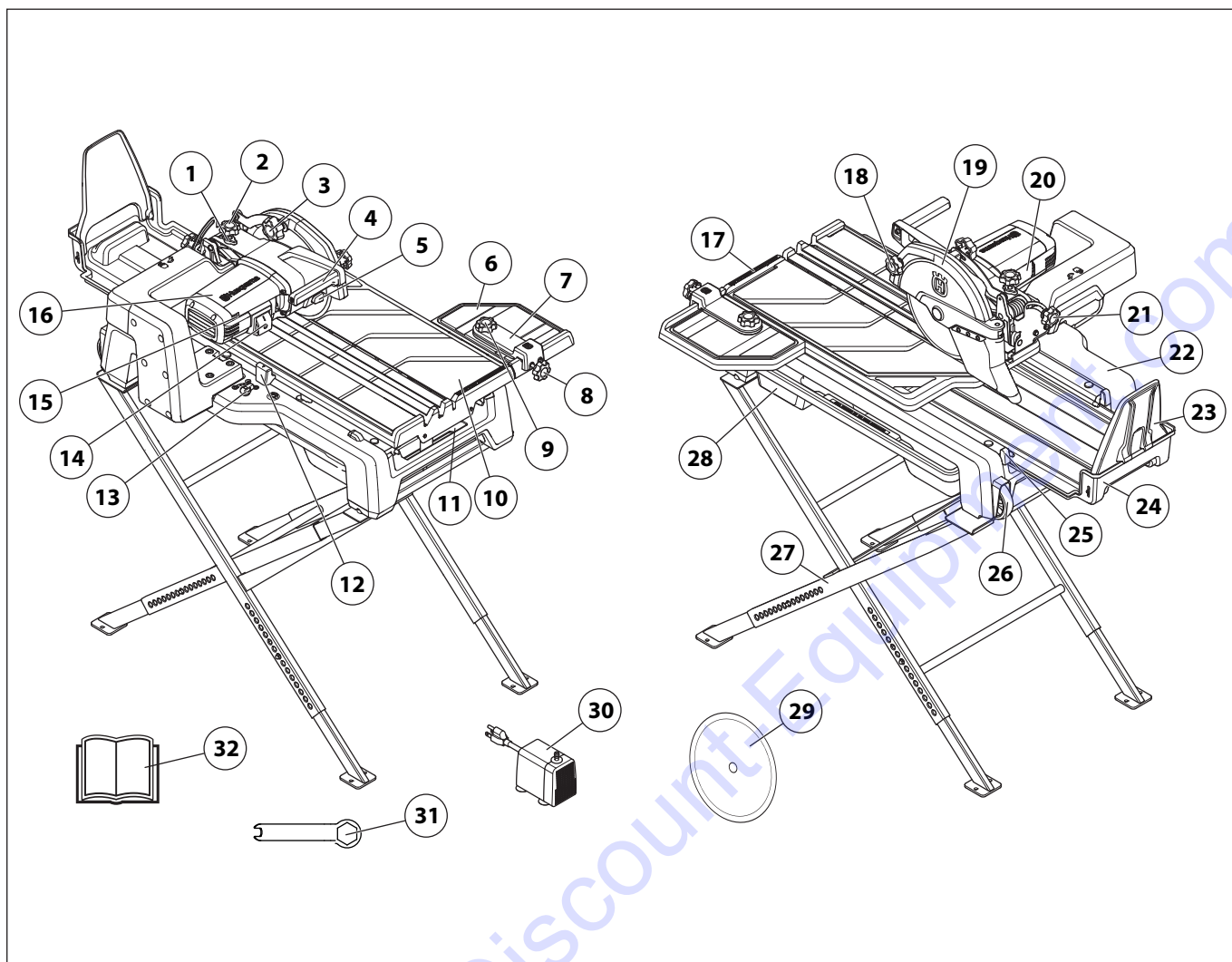
Chariot pratique et rallonge latérale

Le chariot est encore plus long pour offrir un meilleur soutien lors de la coupe. La rallonge latérale est amovible.

Large bride de lame

La large bride de lame de 3" (82 mm) de diamètre fournit à la lame une surface de support étendue et adaptée.

QUELS SONT LES COMPOSANTS?



Quels sont les composants de la machine ?

- | | |
|---|--|
| 1 Contre-écrou, réglage de la butée de profondeur | 17 Règle ajustable |
| 2 Bouton, réglage de la butée de profondeur | 18 Bouton de verrouillage, protège-lame |
| 3 Bouton de verrouillage, réglage de la profondeur | 19 Protège-lame |
| 4 Poignée, bras de coupe | 20 Plaque d'identification du produit |
| 5 Bouton de verrouillage de l'axe de lame | 21 Bouton de verrouillage, coupe en biseau |
| 6 Rallonge latérale | 22 Cadre |
| 7 Guide de coupe | 23 Protection anti-éclaboussures |
| 8 Bouton de verrouillage, guide de coupe | 24 Bac collecteur de boue |
| 9 Bouton de verrouillage, guide de coupe oblique | 25 Butée du chariot |
| 10 Chariot | 26 Roues de transport |
| 11 Bac de récupération d'eau | 27 Pieds de support repliables |
| 12 Bouton de verrouillage, chariot | 28 Bac à eau |
| 13 Bouton d'alimentation en eau, MARCHE/ARRÊT de l'alimentation en eau de la lame | 29 Lame – Husqvarna GS2 varicut S (10 po, Ø250 mm) |
| 14 Interrupteur | 30 Pompe à eau |
| 15 Indicateur de charge, Elgard™ | 31 Clé |
| 16 Moteur électrique | 32 Manuel d'utilisation |

ÉQUIPEMENT DE SÉCURITÉ DE LA MACHINE

Généralités



AVERTISSEMENT! Ne jamais utiliser une machine dont les équipements de sécurité sont défectueux.

AVERTISSEMENT! Si les contrôles ne donnent pas de résultat positif, confier la machine à un atelier spécialisé.

Ce chapitre présente les équipements de sécurité de la machine, leur fonction, comment les utiliser et les maintenir en bon état.

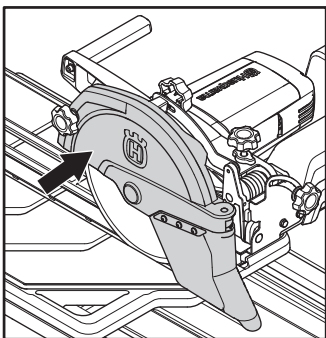
Protecteur de la lame



AVERTISSEMENT! Ne jamais utiliser la machine sans protection ou avec une protection défectueuse. Toujours contrôler que la protection est montée correctement avant de démarrer la machine.

Il est interdit d'exposer plus de 180° du disque sans protection.

Le protège-lame a pour fonction d'empêcher que des éclats du disque ou du matériau découpé ne soient projetés en direction de l'utilisateur.



Contrôle de la protection de lame



AVERTISSEMENT! Éteindre la machine et débrancher la prise d'alimentation.

- Contrôlez que le protège-lame au-dessus de la lame ne présente pas de fissures ou d'autres dommages. Remplacez-le s'il est endommagé.

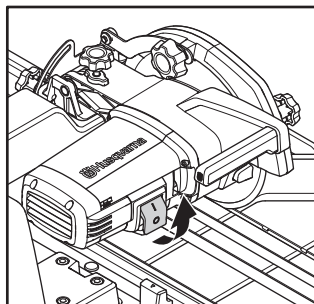
Interrupteur

L'interrupteur est utilisé pour démarrer et arrêter la machine.

Contrôle de l'interrupteur

USA:

- Basculer l'interrupteur vers le haut pour démarrer la machine.

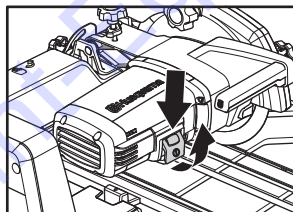


- Basculer l'interrupteur vers le bas pour arrêter la machine.
- Vérifier que le moteur et le disque s'arrêtent.

Un interrupteur défectueux doit être remplacé par un atelier d'entretien agréé.

Canada:

- Poussez l'insert vers le bas pour débloquer le verrouillage et actionnez l'interrupteur pour démarrer la machine.

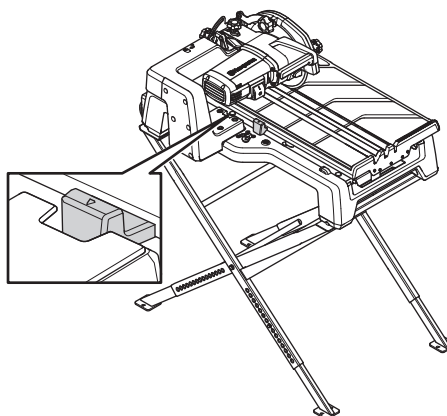


- Basculer l'interrupteur vers le bas pour arrêter la machine. Vérifier que le moteur et le disque s'arrêtent. Assurez-vous que le disque coupeur peut tourner librement jusqu'à son arrêt complet.

Un interrupteur défectueux doit être remplacé par un atelier d'entretien agréé.

Bouton de verrouillage, chariot

Le bouton de verrouillage sert à verrouiller la position du chariot lors de tout déplacement.



Pompe à eau



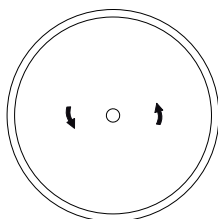
AVERTISSEMENT! Pompe à eau immergée. Ne pas faire fonctionner à sec. À usage domestique uniquement. La mise à la terre doit être correctement maintenue. Risque de choc é Cette pompe n'a pas été étudiée pour être utilisée dans des piscines.

Généralités



AVERTISSEMENT! Les lames peuvent se briser et causer des blessures graves à l'utilisateur. Lors de leur utilisation, les lames diamant deviennent très chaudes. Une lame surchauffée est le résultat d'une mauvaise utilisation et peut entraîner une déformation du disque qui causerait des dommages et des blessures.

- Ne pas utiliser une lame surchauffée.
- Veiller à utiliser le coussinet correspondant au disque découpeur monté sur la machine. Voir les instructions au chapitre Montage du disque découpeur.
- Les lames doivent être marquées d'un régime similaire ou supérieur à celui indiqué sur la plaque signalétique de la machine. Ne jamais utiliser des lames dont le régime indiqué est inférieur à celui de la découpeuse.
- En cas d'utilisation d'une lame diamant, veiller à ce qu'elle tourne dans la direction des flèches sur la lame.



- Les lames diamant se composent d'un cœur en acier et de segments ou d'un anneau continu contenant des diamants industriels.

Lames adaptées

- Jante continue de 8" ou 10". Roue profilée de 8".

Lames pour divers matériaux



AVERTISSEMENT! N'utilisez jamais une lame pour tout autre matériau que celui pour lequel elle est destinée.

La découpe de plastique avec une lame diamant peut provoquer des rebonds quand le matériau fond sous la chaleur produite lors de la coupe et colle à la lame. Ne découpez jamais de matériaux plastiques avec une lame diamant !

- Le choix de la lame doit se faire en fonction du matériau à couper. Demander conseil au concessionnaire pour choisir le bon produit.

Vibrations dans les lames

- La lame peut ne plus être ronde et vibrer si une pression d'avance trop élevée est appliquée.
- Une pression d'avance inférieure peut faire disparaître les vibrations. Dans le cas contraire, changer la lame.

Affûtage des lames diamant

- Toujours utiliser une lame diamant acérée.
- Les lames diamant peuvent siémousser en cas de pression d'avance incorrecte ou de découpe de certains matériaux comme du béton fortement armé. Le travail avec un disque diamant émoussé comporte un risque de surchauffe pouvant provoquer la chute des segments en diamant.
- Affûter le disque en coupant un matériau tendre tel que du grès ou de la brique.

Transport et rangement

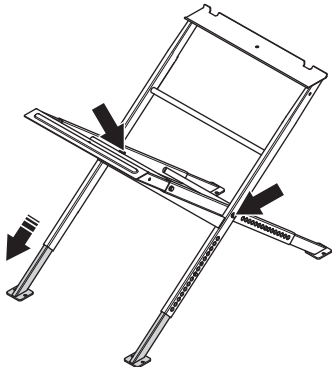
- Démontez la lame avant de transporter ou de remiser la machine.
- Conserver la lame dans un endroit sec.
- Inspecter les nouvelles lames pour détecter tout dommage dû au transport ou à l'entreposage.

MONTAGE ET RÉGLAGES

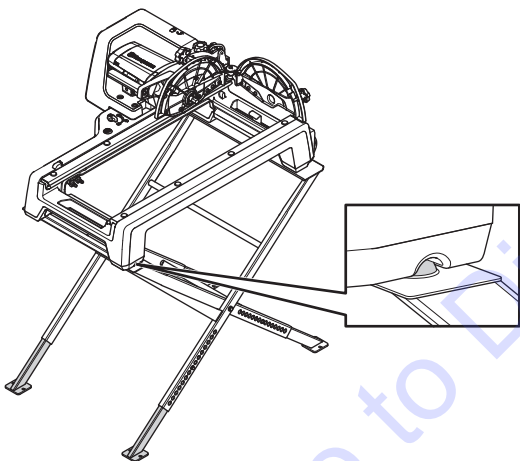
Généralités

Placez la TS60 sur une surface plane, horizontale et stable afin d'éviter le basculement, le glissement ou le déplacement de l'équipement sur le sol.

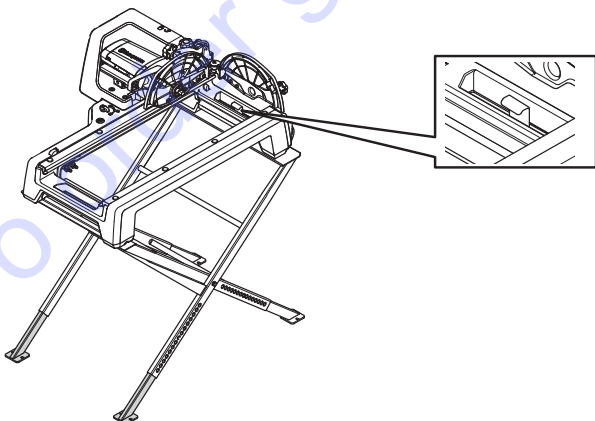
- Assembler les pieds du cadre à l'aide des boulons. Les pieds peuvent se replier pour faciliter le transport.



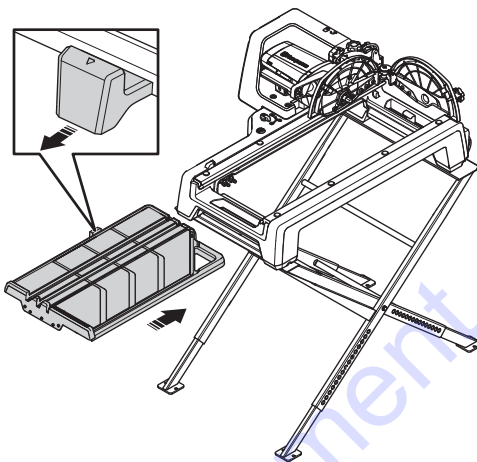
- Régler la hauteur de travail en desserrant le raccord rapide à ressort et glisser le tube intérieur jusqu'à la hauteur souhaitée.
- Placer la scie sur le socle. La fente de la scie doit être alignée sur la rainure du socle.



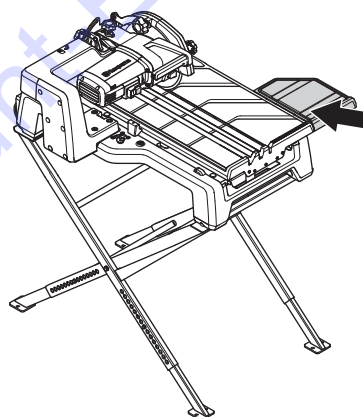
- Utiliser les deux brides placées de chaque côté pour fixer le cadre sur le socle.



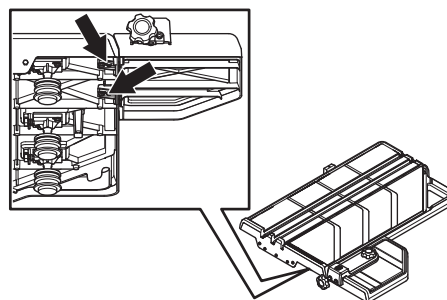
- La machine peut aussi être utilisée sans pieds de châssis ou placée sur un établi.
- Tirer le bouton de verrouillage situé sur le chariot.



- Glisser le chariot sur le cadre. S'assurer que les rouleaux d'appui s'insèrent correctement dans la fente.
- Une fois que le bouton de verrouillage atteint le cadre, l'enfoncer pour faire glisser le chariot jusqu'au bout.
- Fixer la rallonge latérale à l'aide des vis fournies.

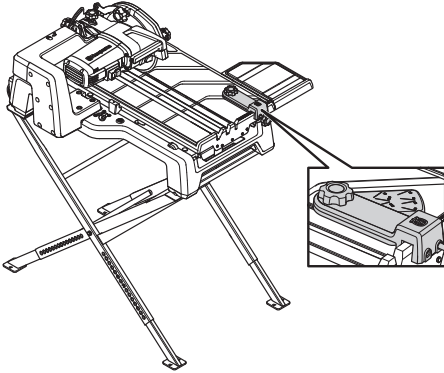


Si la rallonge latérale n'est pas au même niveau que le chariot, il faut procéder à un réglage. Pour cela, utiliser les vis.

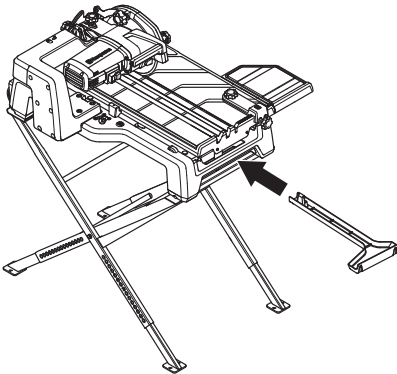


MONTAGE ET RÉGLAGES

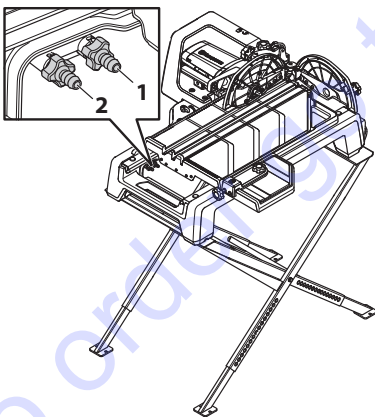
- Visser le guide de coupe sur le chariot. Le guide peut être rabattu vers l'extérieur pour les coupes en biseau. Utiliser les repères obliques sur le guide de coupe pour régler l'angle adéquat.



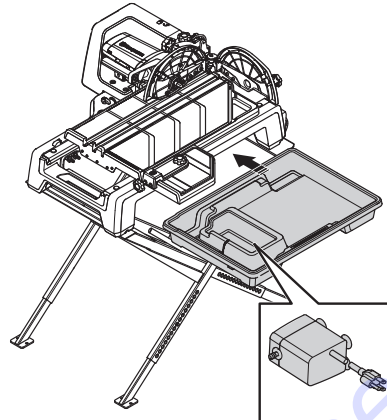
- Monter le bac de récupération d'eau. S'assurer que le crochet en plastique s'accroche sur la barre métallique située sous le chariot.



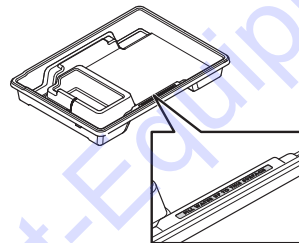
- Connecter le tuyau d'eau (2) et la pompe à eau (1) aux raccords sur le cadre.



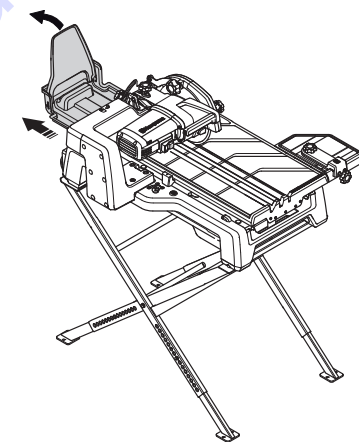
- Placer la pompe à eau dans le bac à eau. Le compartiment de la pompe doit être face à la position de travail. Insérer le bac à eau en le faisant glisser.



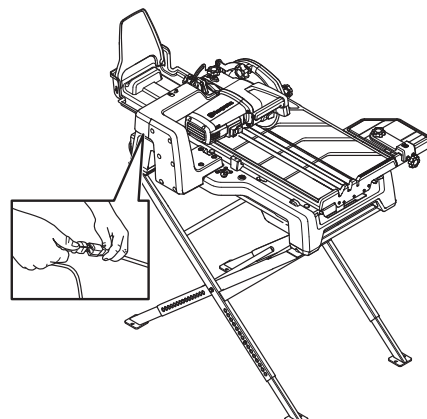
- Le remplir d'eau jusqu'au repère indiqué.



- Sortir le bac collecteur de boue en le faisant glisser et déplier vers le haut l'extension du bac collecteur de boue.



- Le bac collecteur de boue peut être verrouillé en position intérieure par une simple poussée.
- Brancher le câble d'alimentation de la pompe à eau sur la prise située sur la machine.



- S'assurer que le niveau d'eau ne bouge pas lors de la coupe.

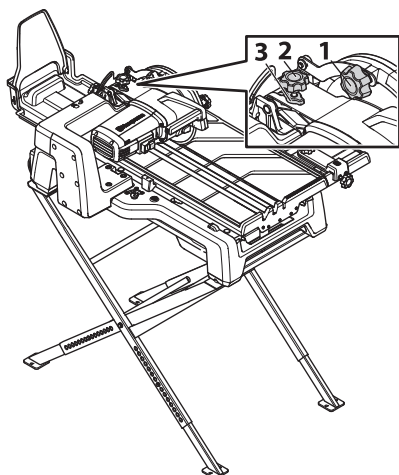
MONTAGE ET RÉGLAGES

Réglage de la butée de profondeur

Régler la butée de profondeur afin que la lame atteigne la profondeur de coupe maximale sans entamer le chariot. Ainsi le jet d'eau dans le chariot peut atteindre la lame et s'étaler lors de la coupe de la pièce travaillée.

La butée de profondeur doit être réglée dès que l'on change de taille de lame.

- Desserrer le bouton de verrouillage du réglage de la profondeur (1) et abaisser le bras de coupe.



- Desserrer le contre-écrou (3).
- Desserrer le bouton de réglage de la butée de profondeur (2).
- Abaisser le bras de coupe jusqu'à ce qu'il atteigne le fond de la fente du chariot.
- Maintenir le bras de coupe dans cette position.
- Pour régler la profondeur de la lame, visser le bouton de réglage de la butée de profondeur (2) jusqu'à ce qu'il touche le support situé en dessous. Tourner une nouvelle fois pour que la tête du bouton dépasse légèrement du chariot.
- Serrer le contre-écrou (3).
- Serrer le bouton de verrouillage du réglage de la profondeur (1), le bras de coupe restant appuyé dans sa position la plus basse.
- Vérifier la position de la lame en déplaçant le chariot jusqu'au fond. La lame ne doit jamais entamer le chariot.

Mise à niveau de la scie

Pour que le système d'eau offre les performances attendues, la machine ne doit pas être inclinée de plus de 1,5° longitudinalement et de plus de 3° latéralement.

- Placer la machine sur un sol plat. Régler les pieds du cadre et si nécessaire, utiliser une cale pour stabiliser la machine. Utiliser un niveau à bulles pour vérifier l'inclinaison.

Rouleaux de guidage

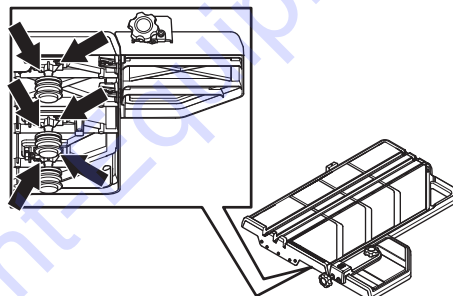
Généralités

Si le chariot fonctionne avec des à-coups ou s'il balance, il faut peut-être ajuster les rouleaux.

- Vérifier que les roues et les guides sont propres.
- Vérifier que les arbres des rouleaux sont correctement serrés.

Réglage des rouleaux de guidage

- Placer le chariot en position centrale et verrouiller cette position à l'aide du bouton de verrouillage.
- Tourner les rouleaux à la main et en utilisant la même force, vérifier que tous les rouleaux tournent librement. Dans le cas contraire, il faut peut-être les réaligner.
- Desserrer tous les supports réglables.

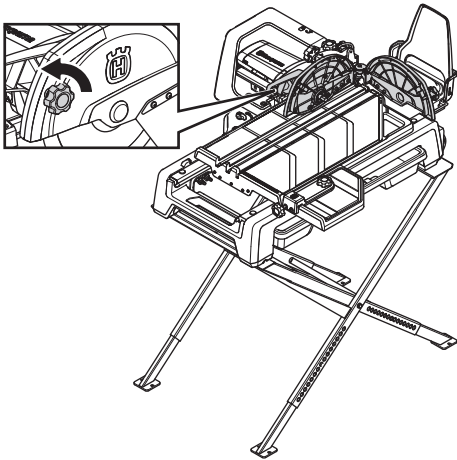


- Faire basculer le chariot d'avant en arrière pour s'assurer que tous les supports sont lâches. Laisser la force des ressorts pousser tous les rouleaux vers les guides.
- Verrouiller tous les rouleaux en serrant les vis situées sur les supports des rouleaux.

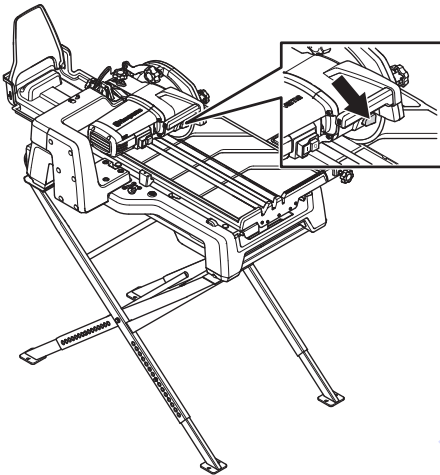
MONTAGE ET RÉGLAGES

Monter la lame

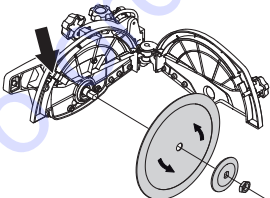
- Desserrer le bouton de verrouillage. Ouvrir le protège-lame.



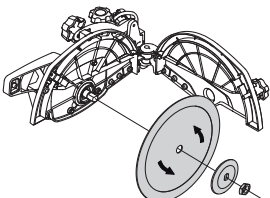
- Gardez le bouton enfoncé pour verrouiller l'axe de lame.



- Retirer l'écrou. Retirer la bride de lame.
- Vérifier que la lame, la bride de lame et l'axe de la lame ne sont pas endommagés. Nettoyer les surfaces de contact de la lame et de la bride de lame.
- S'assurer que la lame tourne dans le sens indiqué par la flèche sur la lame.
- Lors du montage de la lame, sortir la buse et l'éloigner ou la rapprocher de l'axe central en fonction de la taille de la lame (lames de 10" ou de 8").



- Fixer la lame, la bride de lame et l'écrou.



- Fermer le protège-lame. Serrez le bouton de verrouillage.

TO PURCHASE THIS PRODUCT PLEASE CONTACT US



**Equipment Financing and
Extended Warranties Available**



**Discount-Equipment.com is your online resource for
commercial and industrial quality parts and equipment sales.**

561-964-4949

visit us on line @ www.discount-equipment.com

Select an option below to find your Equipment

Search by Manufacturer

Search by Product Type

Request a Quote

We sell worldwide for the brands: Genie, Terex, JLG, MultiQuip, Mikasa, Essick, Whiteman, Mayco, Toro Stone, Diamond Products, Generac Magnum, Airman, Haulotte, Barreto, Power Blanket, Nifty Lift, Atlas Copco, Chicago Pneumatic, Allmand, Miller Curber, Skyjack, Lull, Skytrak, Tsurumi, Husquvarna Target, Stow, Wacker, Sakai, Mi-T-M, Sullair, Basic, Dynapac, MBW, Weber, Bartell, Bennar Newman, Haulotte, Ditch Runner, Menegotti, Morrison, Contec, Buddy, Crown, Edco, Wyco, Bomag, Laymor, EZ Trench, Bil-Jax, F.S. Curtis, Gehl Pavers, Heli, Honda, ICS/PowerGrit, IHI, Partner, Imer, Clipper, MMD, Koshin, Rice, CH&E, General Equipment, Amida, Coleman, NAC, Gradall, Square Shooter, Kent, Stanley, Tamco, Toku, Hatz, Kohler, Robin, Wisconsin, Northrock, Oztec, Toker TK, Rol-Air, APT, Wylie, Ingersoll Rand / Doosan, Innovatech, Con X, Ammann, Mecalac, Makinex, Smith Surface Prep, Small Line, Wanco, Yanmar

Équipement de protection

Généralités

Ne jamais utiliser une machine s'il n'est pas possible d'appeler au secours en cas d'accident.

Équipement de protection personnelle

Un équipement de protection personnelle homologué doit impérativement être utilisé lors de tout travail avec la machine. L'équipement de protection personnelle n'élimine pas les risques mais réduit la gravité des blessures en cas d'accident. Demander conseil au concessionnaire afin de choisir un équipement adéquat.



AVERTISSEMENT! L'utilisation de produits tels que des ciseaux, des disques, des forets, des disques fins ou des formes peut générer de la poussière et des vapeurs pouvant contenir des substances chimiques toxiques. Vérifiez la composition du matériel avec lequel vous travaillez et portez un masque respiratoire adapté.



AVERTISSEMENT! Une exposition prolongée au bruit risque de causer des lésions auditives permanentes. Toujours utiliser des protecteurs d'oreille agréés.

Rester attentif aux signaux d'alerte ou aux appels en cas de port de protecteurs d'oreille. Toujours les enlever dès que le moteur s'arrête.



AVERTISSEMENT! Le risque de coincement est toujours présent lors de travail avec des produits comportant des éléments mobiles. Utiliser des gants de protection pour éviter les blessures personnelles.

Toujours utiliser:

- Protecteur d'oreilles
- Des protège-yeux homologués. L'usage d'une visière doit toujours s'accompagner du port de lunettes de protection homologuées. Par lunettes de protection homologuées, on entend celles qui sont en conformité avec les normes ANSI Z87.1 (États-Unis) ou EN 166 (pays de l'UE). La visière doit être conforme à la norme EN 1731.
- Masque respiratoire
- Gants de protection.
- Portez une coiffe de protection pour retenir les cheveux longs.

Porter des vêtements près du corps et ne risquant pas de gêner les mouvements. Attention! Les habits, les cheveux longs et les bijoux peuvent se coincer dans les parties en mouvement.

Autre équipement de protection



AVERTISSEMENT! Lorsque vous travaillez avec la machine, des étincelles peuvent se former et mettre le feu. Gardez toujours à portée de main les outils nécessaires à l'extinction d'un feu.

- Matériel de protection contre le feu
- Une trousse de premiers secours doit toujours être disponible.

Instructions générales de sécurité

Le présent chapitre décrit les consignes de sécurité de base relatives à l'utilisation de la machine. Aucune de ces informations ne peut remplacer l'expérience et le savoir-faire d'un professionnel.

- Lire attentivement et bien assimiler le manuel d'utilisation avant d'utiliser la machine. Conserver toutes ces consignes et instructions pour toute consultation ultérieure.
- N'oubliez pas que l'opérateur est responsable des accidents ou dangers aux tiers et à leurs biens.
- Tous les opérateurs doivent recevoir une formation sur l'utilisation de la machine. Il incombe au propriétaire de garantir que les opérateurs reçoivent une formation.
- La machine doit rester propre. Les signes et autocollants doivent être parfaitement lisibles.



AVERTISSEMENT! La machine utilisée de manière imprudente ou inadéquate peut devenir un outil dangereux, pouvant causer des blessures graves voire mortelles à l'utilisateur et aux autres personnes présentes.

Ne jamais permettre à des enfants ou à des personnes ne possédant pas la formation nécessaire d'utiliser ou d'entretenir la machine. Ne jamais laisser d'autres personnes utiliser la machine sans s'être assuré au préalable que ces personnes ont bien compris le contenu du mode d'emploi.

N'utilisez jamais la machine si vous êtes fatigué, avez bu de l'alcool ou pris des médicaments susceptibles d'affecter votre vue, votre jugement ou la maîtrise de votre corps.



AVERTISSEMENT! Toute modification non autorisée et/ou tout emploi d'accessoires non homologués peuvent provoquer des accidents graves voire mortels pour l'utilisateur et les autres.

Ne modifiez jamais cette machine de façon à ce qu'elle ne soit plus conforme au modèle d'origine et n'utilisez jamais une machine qui semble avoir été modifiée.

Ne jamais utiliser une machine qui n'est pas en parfait état de marche. Appliquer les instructions de maintenance et d'entretien ainsi que les contrôles de sécurité indiqués dans ce manuel d'utilisation. Certaines mesures de maintenance et d'entretien doivent être confiées à un spécialiste dûment formé et qualifié. Voir les instructions à la section Maintenance.

N'utiliser que des accessoires et des pièces d'origine. Contactez votre revendeur pour de plus amples informations.

COMMANDE

Utilisez toujours votre bon sens

Il est impossible de mentionner toutes les situations auxquelles vous pouvez être confronté. Soyez toujours vigilant et utilisez l'appareil avec bon sens. Si vous êtes confronté à une situation où vous pensez ne pas être en sécurité, arrêtez immédiatement et consultez un spécialiste. Veuillez contacter votre revendeur, votre atelier de réparation ou un utilisateur expérimenté. Il convient d'éviter tous les travaux pour lesquels vous ne vous sentez pas suffisamment qualifié !

Sécurité électrique



AVERTISSEMENT! Il existe toujours un risque de choc avec les machines électriques. Évitez de travailler par mauvais temps ainsi que tout contact du corps avec du métal/un parafoudre. Suivez toujours les instructions du manuel d'utilisation pour éviter tout dommage.

Ne branchez jamais la machine à une prise si la fiche ou le câble est endommagé.



AVERTISSEMENT! Lors du nettoyage de la machine, veiller à ne pas faire entrer d'eau dans le système électrique et dans le moteur. L'eau peut endommager la machine ou entraîner un court-circuit.

- Contrôler que la tension secteur est conforme aux indications sur la plaque de la machine.
- Les contrôles et/ou les entretiens doivent être effectués avec le moteur à l'arrêt et la prise électrique débranchée.
- Éteignez toujours la machine avant de débrancher la fiche d'alimentation.
- Ne tirez jamais la machine par le câble d'alimentation et ne la débranchez jamais en tirant sur le câble. Tenez la fiche pour débrancher le câble d'alimentation.
- Ne jamais utiliser la machine si tout câble ou bouchon est endommagé. Il convient dès lors de la confier à un atelier d'entretien agréé.
- Toujours brancher la machine via un disjoncteur de fuite à la terre avec protection personnelle, par exemple un disjoncteur de fuite à la terre qui s'enclenche à un défaut à la terre de 30 mA.
- Évitez tout démarrage intempestif. Vérifier que l'interrupteur est en position OFF avant de brancher la machine au bloc d'alimentation.

Instructions de mise à la terre



AVERTISSEMENT! Un mauvais branchement risque de provoquer un choc électrique. Contactez un électricien diplômé si vous n'êtes pas sûr que l'équipement soit correctement mis à la terre.

Ne modifiez pas la fiche. Si elle n'est pas compatible avec la prise, demandez à un électricien diplômé d'installer une prise qui convienne. Assurez-vous de respecter les réglementations et ordonnances en vigueur.

Si vous ne comprenez pas parfaitement les instructions de mise à la terre, contactez un électricien diplômé.

- La machine est équipée d'un câble et d'une fiche mis à la terre et doit toujours être branchée à une prise mise à la terre. Ceci réduit le risque de choc électrique en cas de dysfonctionnement.

Câbles de rallonge

- Le marquage sur le câble de rallonge doit être identique ou supérieur à la valeur indiquée sur la plaque signalétique de la machine.
- Utilisez des câbles de rallonge mis à la terre.
- **Lorsqu'une machine à usiner est utilisée à l'extérieur, installer une rallonge adaptée à un usage extérieur.** L'utilisation d'un cordon adapté à un usage extérieur réduit le risque d'électrocution.
- Maintenez le branchement au câble de rallonge sec et au-dessus du sol.
- Tenir le cordon éloigné de toute source de chaleur, de l'huile, des bords tranchants ou des pièces mobiles. Les cordons endommagés ou emmêlés augmentent le risque d'électrocution.
- Contrôler que le câble et la rallonge sont entiers et en bon état. Ne jamais utiliser la machine si tout câble ou bouchon est endommagé. Il convient dès lors de la confier à un atelier d'entretien agréé.
- N'utilisez pas la rallonge lorsqu'elle est enroulée afin d'éviter toute surchauffe.
- Lorsque vous devez utiliser un câble de rallonge, n'utilisez que des câbles agréés d'une portée suffisante. Pour davantage d'informations, consultez la rubrique « Dimensions de câble recommandées » du chapitre « Caractéristiques techniques ».

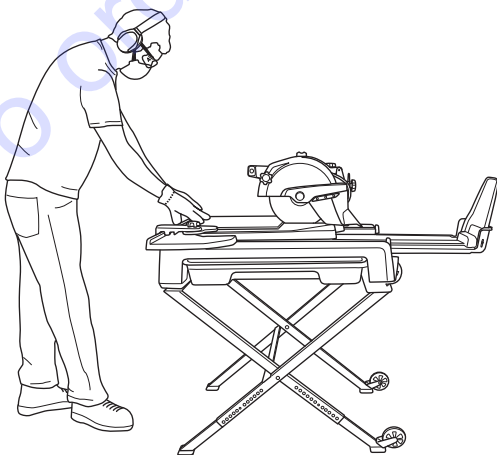
Sécurité du travail

Sécurité dans l'espace de travail

- **Maintenir un espace de travail propre et bien éclairé.**
Les espaces encombrés ou sombres exposent à des accidents.
- Des personnes ou des animaux peuvent détourner l'attention de l'opérateur et l'amener à perdre le contrôle de la machine. C'est pourquoi l'opérateur doit toujours être attentif et concentré sur son travail.
- Ne pas travailler par mauvais temps: brouillard épais, pluie diluvienne, vent violent, grand froid, etc.
- Ne jamais commencer à travailler avec la machine sans avoir le champ libre et les pieds bien d'aplomb.

Sécurité du personnel

- N'utilisez jamais la machine si vous êtes fatigué, avez bu de l'alcool ou pris des médicaments susceptibles d'affecter votre vue, votre jugement ou la maîtrise de votre corps.
- Vérifiez qu'aucun outil ou autre objet n'a été posé sur la machine.
- Ne laissez jamais quelqu'un utiliser la machine sans avoir reçu la formation adéquate.
- Éteignez toujours la machine lors de pauses prolongées.
- Ne travaillez jamais seul, mais toujours avec une personne à proximité.
- Apprendre à utiliser la machine et ses commandes de manière sûre et apprendre à arrêter rapidement la machine. Apprendre également à reconnaître les autocollants de sécurité.
- Les poignées doivent toujours être propres, sèches et sans traces d'huile ni de graisse.
- Ne vous éloignez pas trop. Restez toujours en équilibre et sur vos appuis.
- Ne vous mettez jamais debout sur la machine.
- Tenez-vous debout. Éloignez votre visage du disque découpeur. Placez les mains sur la pièce à travailler, le plus loin possible du disque découpeur. Si la fonction de plongée est utilisée, placez une main sur la poignée de coupe.

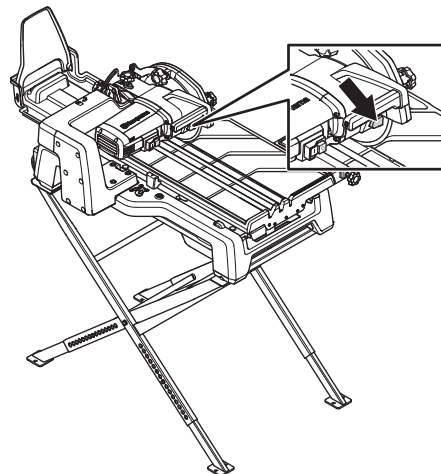


Utilisation et entretien

- Cette machine est conçue pour le sciage de béton, de brique et de divers autres matériaux à base de pierre. Elle n'est destinée à aucune autre utilisation.
- L'expérience est primordiale lors de l'utilisation de la machine. Une personne qualifiée est grandement recommandée.
- La machine est conçue pour des applications industrielles et destinée à des opérateurs expérimentés.
- Vérifiez que la machine est correctement montée et ne présente aucun dommage.
- Procédez toujours à la maintenance quotidienne avant de démarrer le moteur. Voir les instructions au chapitre « Entretien ».
- Ne sollicitez pas la machine excessivement. Une surcharge peut endommager la machine.
- La lame doit être adaptée au matériau à découper.
- En cas de doute sur la lame à utiliser, contactez votre service après-vente.
- Utilisez toujours des outils aiguisés et propres pour augmenter la sécurité pendant le travail.
- Veillez au bon fonctionnement de tous les éléments et s'assurer que toutes les fixations sont correctement serrées. Remplacer tous les autocollants usés ou abîmés.
- Ne laissez jamais la machine sans surveillance avec le moteur en marche.
- Ne faire avancer la pièce travaillée que dans le sens contraire de la rotation de la lame !
- Faites preuve de prudence en cas de levage. Le maniement de pièces lourdes implique un risque de coincage ou autre blessure.

Refroidissement par eau de la lame

- Il faut toujours utiliser le refroidissement par eau à travers le protège-lame lors de coupes en biseau et de coupes diagonales de carreaux de 20" (500 mm) de côté. La coupe est plus longue que le chariot et au début de la coupe, la lame n'entraîne pas l'eau située dans la fente du chariot.
- Tourner légèrement le bouton d'alimentation en eau pour rediriger l'eau vers la lame.
- Lorsque la lame atteint la fente du chariot, l'arrosage de la lame peut être arrêté afin de conserver la surface aussi propre que possible.



Techniques de travail de base

Coupe en biseau

Le bras de coupe peut pivoter jusqu'à 45°. Un repère indique les 22,5°.

- Desserrer le bouton de verrouillage de coupe en biseau et définir l'angle souhaité.
- Verrouiller le bouton.

Coupe en plongée

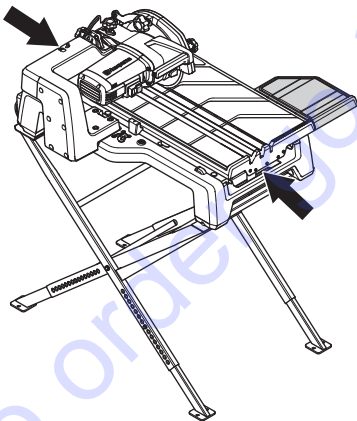
Le bras de coupe est monté sur ressort et réglable en hauteur.

- Desserrez le bouton de verrouillage de l'ajustement de la profondeur. Avec la poignée sur le bras de coupe, le disque découpeur peut se régler en hauteur et effectuer une coupe en plongée dans la pièce à travailler.

Transport et rangement

Arrêter le moteur et débrancher le câble d'alimentation avant de soulever ou de déplacer la machine.

- Sécurisez l'équipement lors du transport afin d'éviter tout dommage ou accident.
- S'assurer que le chariot est verrouillé et que l'extension du bac est verrouillée en position intérieure.
- Stockez l'équipement dans un endroit verrouillé afin de le maintenir hors de portée des enfants et de toute personne incompétente.
- Pour le transport et le rangement des lames, voir la rubrique « Lames ».
- Soulever la machine en saisissant les côtés les plus courts.



DÉMARRAGE ET ARRÊT

Avant le démarrage



AVERTISSEMENT! Lire attentivement et bien assimiler le manuel d'utilisation avant d'utiliser la machine.

Utiliser les équipements de protection personnelle. Voir au chapitre "Équipement de protection personnelle".

Veiller à ce qu'aucune personne non autorisée ne se trouve dans la zone de travail pour éviter le risque de blessures graves.

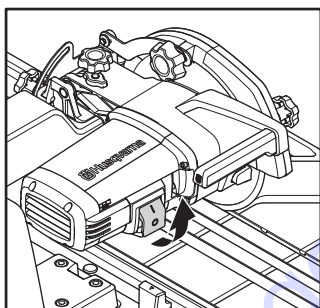
Évitez tout démarrage intempestif. Vérifier que l'interrupteur est en position OFF avant de brancher la machine au bloc d'alimentation.

- Vérifiez que la machine est correctement montée et ne présente aucun dommage. Voir les instructions à la rubrique « Assemblage et réglages ».
- Effectuez un entretien quotidien. Voir les instructions au chapitre « Entretien ».

Démarrage

USA:

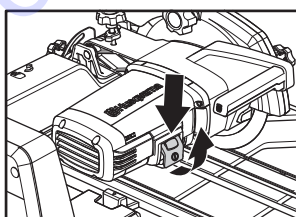
- Basculer l'interrupteur vers le haut pour démarrer la machine. La pompe à eau démarre automatiquement lors du démarrage de la machine.



- Attendre quelques secondes que l'eau remplisse les fentes du chariot avant de commencer à couper.

Canada:

- Poussez l'insert vers le bas pour débloquer le verrouillage et actionnez l'interrupteur pour démarrer la machine. La pompe à eau démarre automatiquement lors du démarrage de la machine.



- Attendre quelques secondes que l'eau remplisse les fentes du chariot avant de commencer à couper.

Arrêt

- Basculer l'interrupteur vers le bas pour arrêter la machine. Assurez-vous que le disque découpeur peut tourner librement jusqu'à son arrêt complet.

Généralités



AVERTISSEMENT! L'utilisateur ne peut effectuer que les travaux d'entretien et de révision décrits dans ce manuel d'utilisation. Les mesures plus importantes doivent être effectuées dans un atelier d'entretien agréé.

Pour éviter tout démarrage accidentel, il convient de suivre les étapes décrites dans le présent chapitre avec le moteur éteint et le câble d'alimentation débranché de la prise, sauf mention contraire.

Utiliser les équipements de protection personnelle. Voir au chapitre "Équipement de protection personnelle".

La durée de vie de la machine risque d'être écourtée et le risque d'accidents accru si la maintenance de la machine n'est pas effectuée correctement et si les mesures d'entretien et/ou de réparation ne sont pas effectuées de manière professionnelle. Pour obtenir de plus amples informations, contacter l'atelier de réparation le plus proche.

Entretien quotidien

- Vérifiez que l'équipement de sécurité de la machine est en parfait état. Voir instructions à la rubrique « Équipement de sécurité de la machine ».
- Nettoyer l'extérieur de la machine. N'utilisez pas de nettoyeur haute pression pour le nettoyage de la scie.
- Ouvrir le protège-lame. Nettoyez l'intérieur et l'extérieur et fermez le protège-lame.



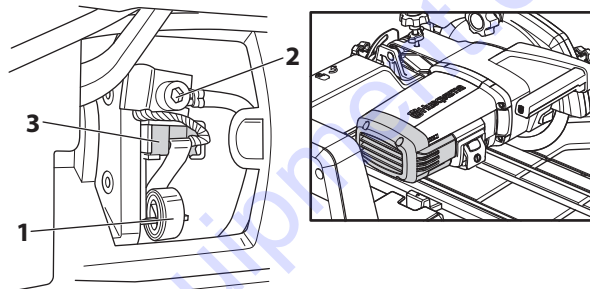
AVERTISSEMENT! Ne jamais nettoyer le moteur et les éléments électriques avec de l'eau.

ATTENTION ! Nettoyer la machine correctement pour éviter que des débris et des petits morceaux de carreau n'entrent dans le système et n'endommagent le circuit d'eau. Si le bac collecteur situé sous le chariot déborde à cause de rejet d'eau par le chariot, retirer le bac collecteur et le nettoyer. Réinstaller le bac collecteur.

Remplacement des balais de charbon

Les balais de charbon doivent être démontés et contrôlés régulièrement. Chaque semaine en cas d'utilisation quotidienne de la machine ou à intervalle plus long si la machine est utilisée moins souvent.

- Desserrer les boulons maintenant le capot de protection et soulever le capot.
- Desserrez la vis (2).
- Soulevez le ressort de retenue du balai d'un côté (1).
- Sortez le balai de charbon du support (3).



- Placer le nouveau balai de carbone. Veiller à fixer le balai de carbone dans le bon sens et à ce qu'il glisse facilement dans le support. Si le balai de carbone est placé dans le mauvais sens, il peut se coincer.
- Installez le ressort de maintien du charbon.
- Glissez le raccord du charbon sous la vis.
- Répétez cette procédure pour l'autre charbon.
- Montez le capot de protection.

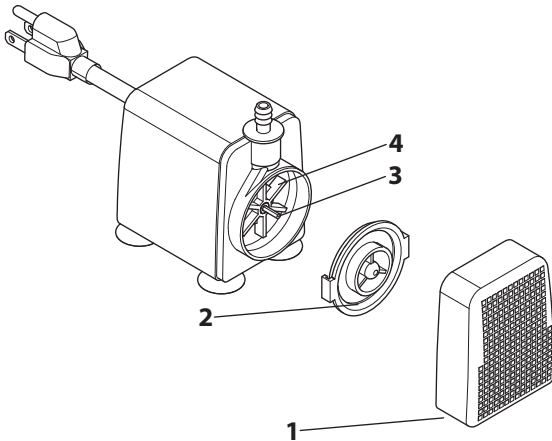
Pompe à eau

Suivre les instructions suivantes si la pompe à eau ne pompe plus l'eau.

- Arrêter de couper.
- Éteindre la machine et débrancher la prise d'alimentation.
- Retirer la pompe à eau.

Nettoyer la pompe.

- Retirer le couvercle de la prise (1).
- Tourner le cache de la roue à ailette (2) et le sortir.
- Sortir la roue à ailette (4) et l'arbre (3) et nettoyer les différents éléments, boîtier inclus.



Il est possible d'utiliser un chiffon pour retirer les particules de fer susceptibles de s'être fixées sur l'arbre du rotor magnétique.

Vidange d'eau

Nettoyer le bac de récupération d'eau après chaque utilisation.

- Arrêter la coupe.
- Soulever le bac de récupération d'eau et tirer pour libérer l'arrière du bac.
- Soulever et détacher le crochet en plastique du chariot.
- Nettoyer le bac de récupération d'eau et le remettre en place.

Réparations

Toutes les réparations doivent être effectuées par des réparateurs agréés. Ceci permet d'éviter que les opérateurs ne soient exposés à des risques importants.

CARACTÉRISTIQUES TECHNIQUES

Caractéristiques techniques

Moteur	TS60, 120V
Puissance, hp/kW	2,3/1,7
Tension, V	100-120
Phases	1
Fréquence, Hz	50-60
Régime, rpm	3000
Refroidissement par eau	
Pompe à eau, V	100-120
Pompe à eau, Fréquence Hz	60
Pompe à eau, A	0,48
Pompe à eau, Hmax, m	2,8
Pompe à eau, Qmax, l/h	1350
Reservoir d'eau, gal/l	3.3/12,4
Équipement de découpe	
Dimension max. de lame, pouces/mm	10/254
Profondeur max. de la scie, pouces/mm	3/78
Profondeur de coupe max. à 45°, pouces/mm	1.8/45
Longueur de coupe max., pouces/mm	28 5/8 / 726
Taille de l'arbre, inch/mm	5/8 / 16
Coupe oblique	45° et 22,5°
Dimensions	
Poids, lb/kg	79/36
Poids - chargé, livres/kg	132.6/60
Taille, (Lo x La x H), pouce/mm	37x28x18/932x700x468
Dimensions - chargé (l x L x H), pouces/mm	40x22x29/1007x565x745

Dimensions recommandées des câbles

ATTENTION ! Pour que le moteur offre de bonnes performances, la tension doit être appropriée. Des rallonges trop longues et/ou dotées d'un calibre trop petit réduisent la puissance du moteur en charge et limitent la capacité du système ou entraînent des dysfonctionnements.

SCHÉMA ÉLECTRIQUE

Schéma électrique

USA: 120V

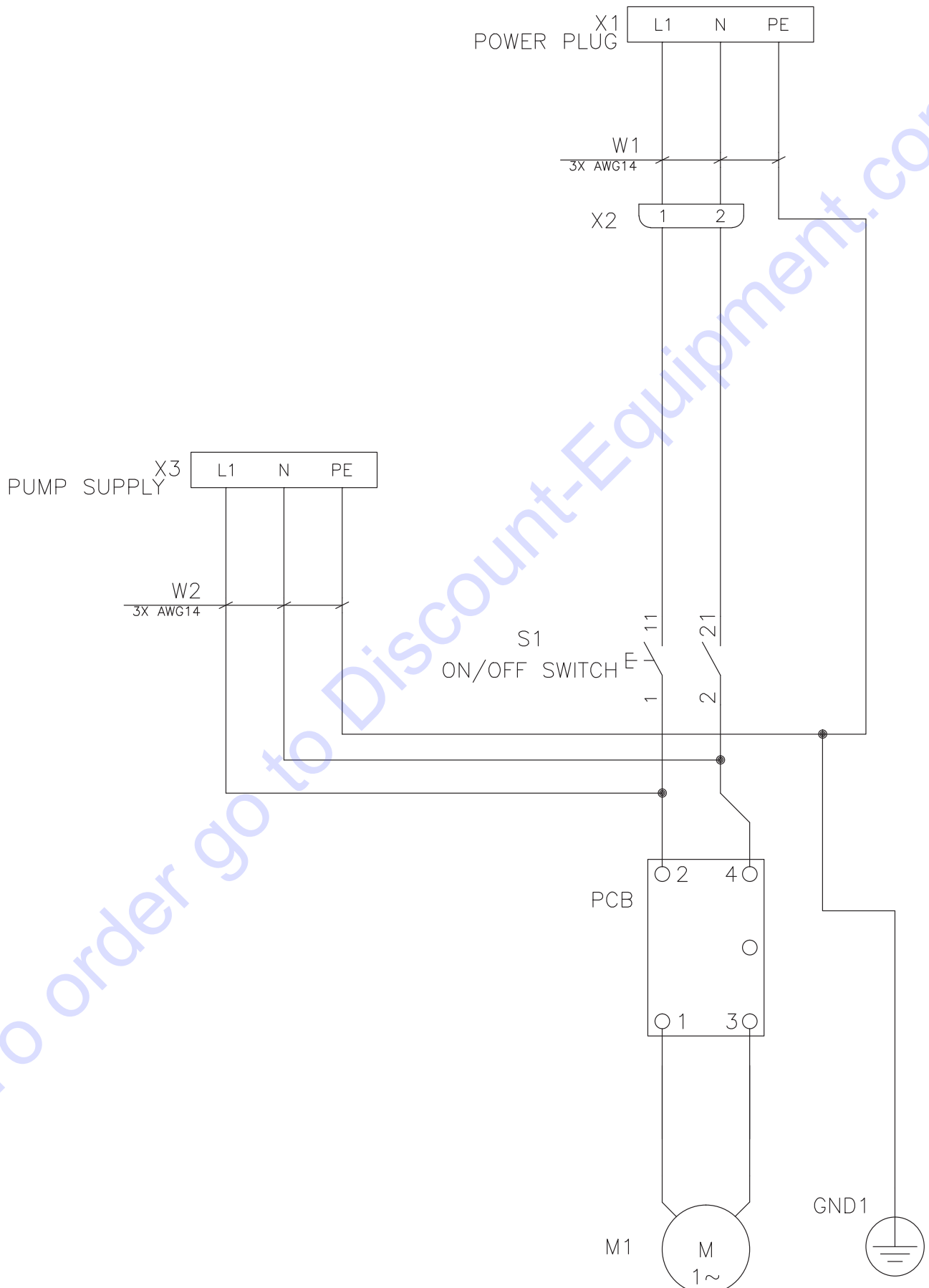
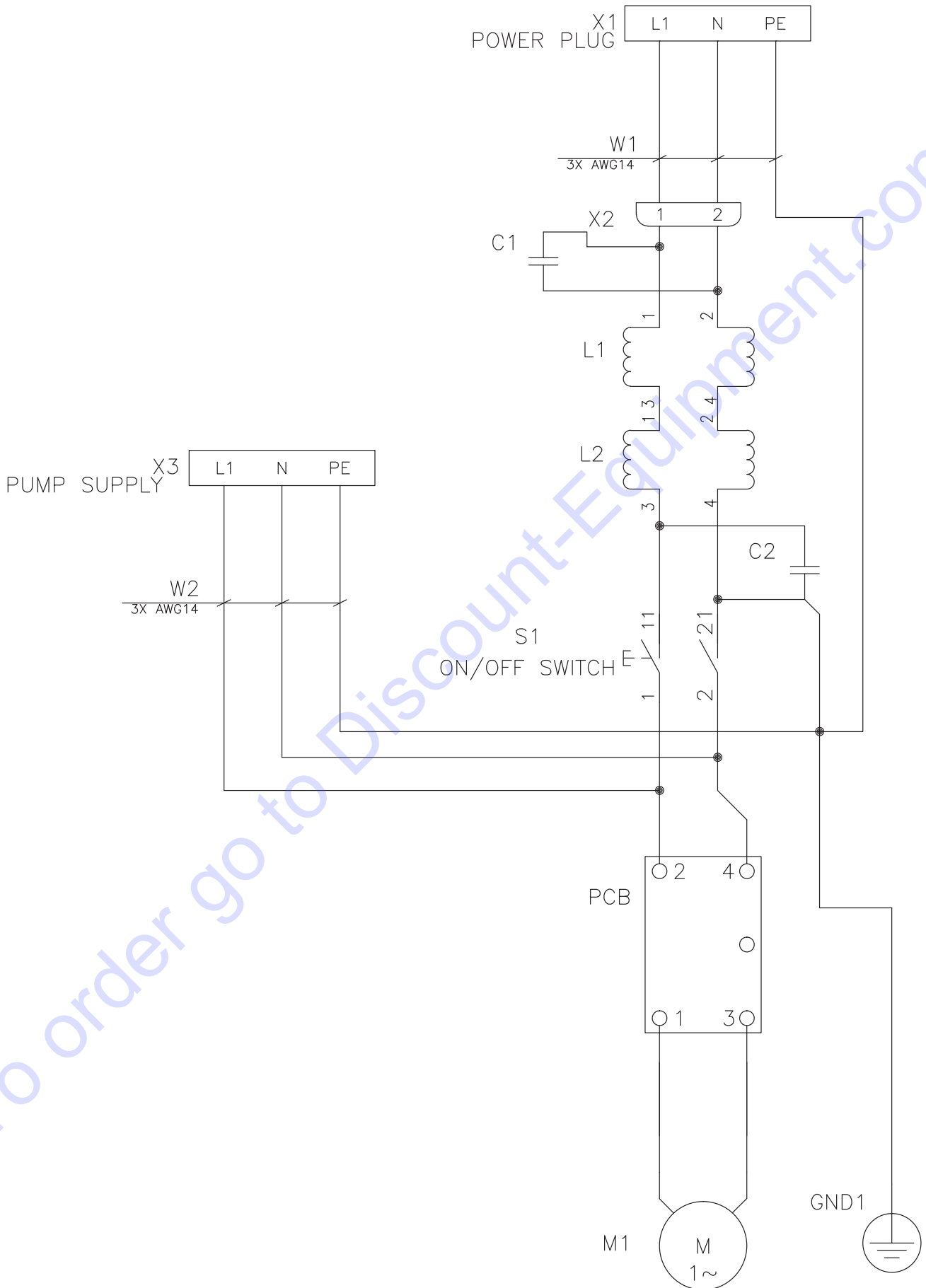


SCHÉMA ÉLECTRIQUE

Canada: 120V



ACLARACION DE LOS SIMBOLOS

Símbolos en la máquina

¡ATENCIÓN! La máquina, si se utiliza de forma errónea o descuidada, puede ser una herramienta peligrosa que puede causar daños graves e incluso la muerte al usuario y a otras personas.

Lea detenidamente el manual de instrucciones y asegúrese de entender su contenido antes de utilizar la máquina.

Utilice siempre:

- Protectores auriculares
- Gafas protectoras o visor
- Máscara respiratoria

¡Atención! No corte nunca sin utilizar el protector.

¡Atención! Mantenga alejados las manos y los pies de la hoja.

¡Atención! Alta tensión. Riesgo de sacudida eléctrica.

No exponer a la lluvia.

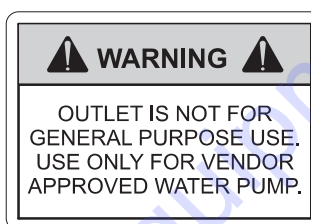
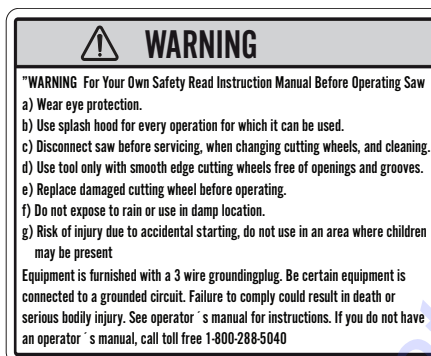
Etiquetado ecológico. El símbolo en el producto o en su envase indica que no se puede tratar este producto como desperdicio doméstico. Deberá por lo tanto depositarse en un centro de recogida adecuado para el reciclado de equipos eléctricos y electrónicos.

Haciendo que este producto sea manipulado adecuadamente, se ayuda a evitar consecuencias negativas potenciales para el medio ambiente y las personas, lo que puede ocurrir con la manipulación inadecuada como residuos del producto.

Para obtener información más detallada sobre el reciclado de este producto, contacte con la oficina municipal local, con el servicio de eliminación de desperdicios domésticos o con la tienda donde compró el producto.



Los demás símbolos/etiquetas que aparecen en la máquina corresponden a requisitos de homologación específicos en determinados mercados.



Explicación de los niveles de advertencia

Las advertencias se clasifican en tres niveles.

¡ATENCIÓN!



¡ATENCIÓN! Indica un riesgo de daños graves para el usuario o incluso muerte, o bien daños al entorno, si no se siguen las instrucciones del manual.

¡NOTA!



¡NOTA! Indica un riesgo de lesiones para el usuario o daños al entorno si no se siguen las instrucciones del manual.

AVISO

AVISO Indica un riesgo de daños en los materiales o en la máquina si no se siguen las instrucciones del manual.

Índice

ACLARACION DE LOS SIMBOLOS	
Símbolos en la máquina	42
Explicación de los niveles de advertencia	42
INDICE	
Índice	43
Antes de arrancar, observe lo siguiente:	43
PRESENTACIÓN	
Apreciado cliente:	44
Diseño y funciones	44
TS60	44
¿QUE ES QUE?	
¿Qué es qué en la máquina?	45
EQUIPO DE SEGURIDAD DE LA MÁQUINA	
Generalidades	46
DISCOS	
Generalidades	47
Transporte y almacenamiento	47
MONTAJE Y AJUSTES	
Generalidades	48
Ajuste de tope de profundidad	50
Nivele la sierra	50
Rodillos guía	50
Monte el disco	51
FUNCIONAMIENTO	
Equipo de protección	52
Instrucciones generales de seguridad	52
Seguridad eléctrica	53
Seguridad en el trabajo	53
Técnica básica de trabajo	55
Transporte y almacenamiento	55
ARRANQUE Y PARADA	
Antes del arranque	56
Arranque	56
Parada	56
MANTENIMIENTO	
Generalidades	57
Mantenimiento diario	57
Cambio de escobillas de carbón	57
Bomba de agua	57
Drenaje de agua	57
Reparaciones	57
DATOS TECNICOS	
Datos técnicos	58
Dimensiones de cable recomendadas	58
DECLARACIÓN DE GARANTÍA PARA EE. UU.	
POLÍTICA DE GARANTÍA	59
EQUIPO	59
ESQUEMA DE CONEXIONES ELÉCRICAS	
Esquema de conexiones eléctricas	60

Antes de arrancar, observe lo siguiente:



¡ATENCIÓN! El material que se corta a menudo contiene sílice y, al cortarlo en SECO particularmente, desprende polvo. La sílice es un componente básico de la arena, la arcilla para ladrillos, del cuarzo, del granito, y de varios otros minerales y rocas. La exposición a una cantidad excesiva de polvo de sílice puede causar:

Enfermedades respiratorias (que afectan su habilidad para respirar) como bronquitis crónicas, silicosis y fibrosis pulmonares por exposición a la sílice. Estas enfermedades pueden ser mortales.

Irritación y erupción de la piel.

Cáncer, según el Programa Nacional de Toxicología (NTP) y el Centro Internacional de Investigaciones sobre el Cáncer (IARC).

Tome medidas de precaución:

Evite el contacto de la piel con el polvo, vapor y humo, y su inhalación.

Use, y asegúrese de que quienes lo rodean usen, indumentaria de protección del aparato respiratorio como las mascarillas antipolvo diseñadas para filtrar partículas microscópicas. (Consulte las normas de la OSHA: 29 CFR Parte 1910.1200.)

Corte en húmedo, en la medida de lo posible, para minimizar la cantidad de polvo.

PRESENTACIÓN

Apreciado cliente:

Gracias por elegir un producto Husqvarna.

Esperamos que su máquina le proporcione plena satisfacción y le sirva de ayuda por mucho tiempo en adelante. La adquisición de alguno de nuestros productos da acceso a asistencia profesional con reparaciones y servicio. Si la máquina no fue adquirida en un distribuidor oficial, preguntar en la tienda de compra la dirección del taller de servicio más cercano.

Este manual de instrucciones es un documento importante. Procure tenerlo siempre a mano en el lugar de trabajo. Siguiendo sus instrucciones (de uso, servicio, mantenimiento etcétera) puede alargar considerablemente la vida útil de la máquina e incrementar su valor de reventa. Si vende su máquina, entregue el manual de instrucciones al nuevo propietario.

Más de 300 años de innovación

La fundación de la empresa sueca Husqvarna AB data del año 1689, cuando el Rey Karl XI encargó la construcción de una fábrica para la fabricación de mosquetes. En ese momento se establecieron los cimientos de la experiencia tecnológica en la que se basan muchos de los productos punteros en el mundo en el sector de las armas de caza, bicicletas, motocicletas, electrodomésticos, máquinas de coser y productos para exteriores.

Husqvarna es líder internacional en productos motorizados para exteriores destinados a la silvicultura, el mantenimiento de parques y el cuidado del césped y del jardín, así como equipos de corte y herramientas de diamante para el sector de la construcción y la piedra.

Responsabilidad del propietario

El propietario / empresario es el responsable de asegurarse de que el usuario tiene los conocimientos necesarios para utilizar la máquina con seguridad. Los supervisores y los usuarios deben haber leído y entendido el manual de instrucciones. Deben tener conocimiento de lo siguiente:

- Las instrucciones de seguridad de la máquina.
- Las aplicaciones y las limitaciones de la máquina.
- El modo de uso y de mantenimiento de la máquina.

La utilización de esta máquina podría estar restringida por regulaciones locales. Infórmese sobre las regulaciones vigentes en el lugar donde trabaja antes de empezar a utilizar la máquina.

Los derechos que se reserva el fabricante.

Tras la publicación de este manual, Husqvarna podría publicar información adicional para el funcionamiento seguro de este producto. Es responsabilidad del propietario mantenerse informado de los métodos de funcionamiento más seguros.

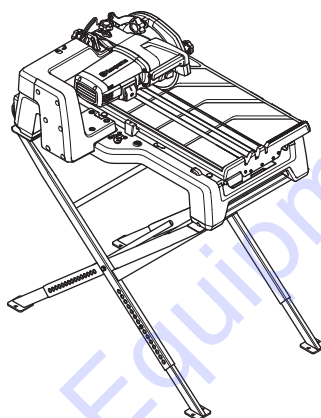
Husqvarna AB trabaja constantemente para perfeccionar sus productos y se reserva, por lo tanto, el derecho a introducir modificaciones en la construcción y el diseño sin previo aviso.

Diseño y funciones

El alto rendimiento, la fiabilidad, la tecnología innovadora, las soluciones técnicas avanzadas y el respeto medioambiental son los valores que caracterizan a los productos de Husqvarna. El usuario debe leer este manual detenidamente para garantizar un funcionamiento seguro del producto. Póngase en contacto con su concesionario o con Husqvarna si necesita más información.

A continuación se describen algunas de las características únicas de su producto.

TS60



Softstart™

Softstart™ es un limitador de sobreintensidad electrónico que permite un arranque más suave.

Elgard™

Elgard™ es una protección contra sobrecarga electrónica que protege el motor. Dicha protección protege la máquina y amplía su vida útil. Gracias a Elgard™, la máquina indica cuándo se aproxima a la carga máxima.

Peso ligero y diseño portátil

La máquina pesa poco y es compacta. Los mandos del bastidor y las ruedas permiten transportar y mover la máquina fácilmente. Las ruedas integradas permiten que la sierra se tire como una maleta con ruedas.

El soporte se puede plegar y la altura se puede ajustar.

Sistema de contención de chorro con protección contra barro.

El sistema de chorro patentado proporciona agua al carro de transporte y a la hoja en un sistema cerrado.

El barro se hunde hacia el fondo y solo el agua de la superficie llega a la bomba, que se encuentra en un compartimento protegido del carro de agua.

Se proporciona agua de manera continua al carro de transporte. Se puede ajustar el suministro de agua a la cuchilla.

Corte flexible

Corte de inserción flexible y corte angulado de hasta 45°.

Permite el corte diagonal de azulejos de 20 in x 20 in (500 x 500 mm) y proporciona una longitud de corte de 28 in (718 mm).

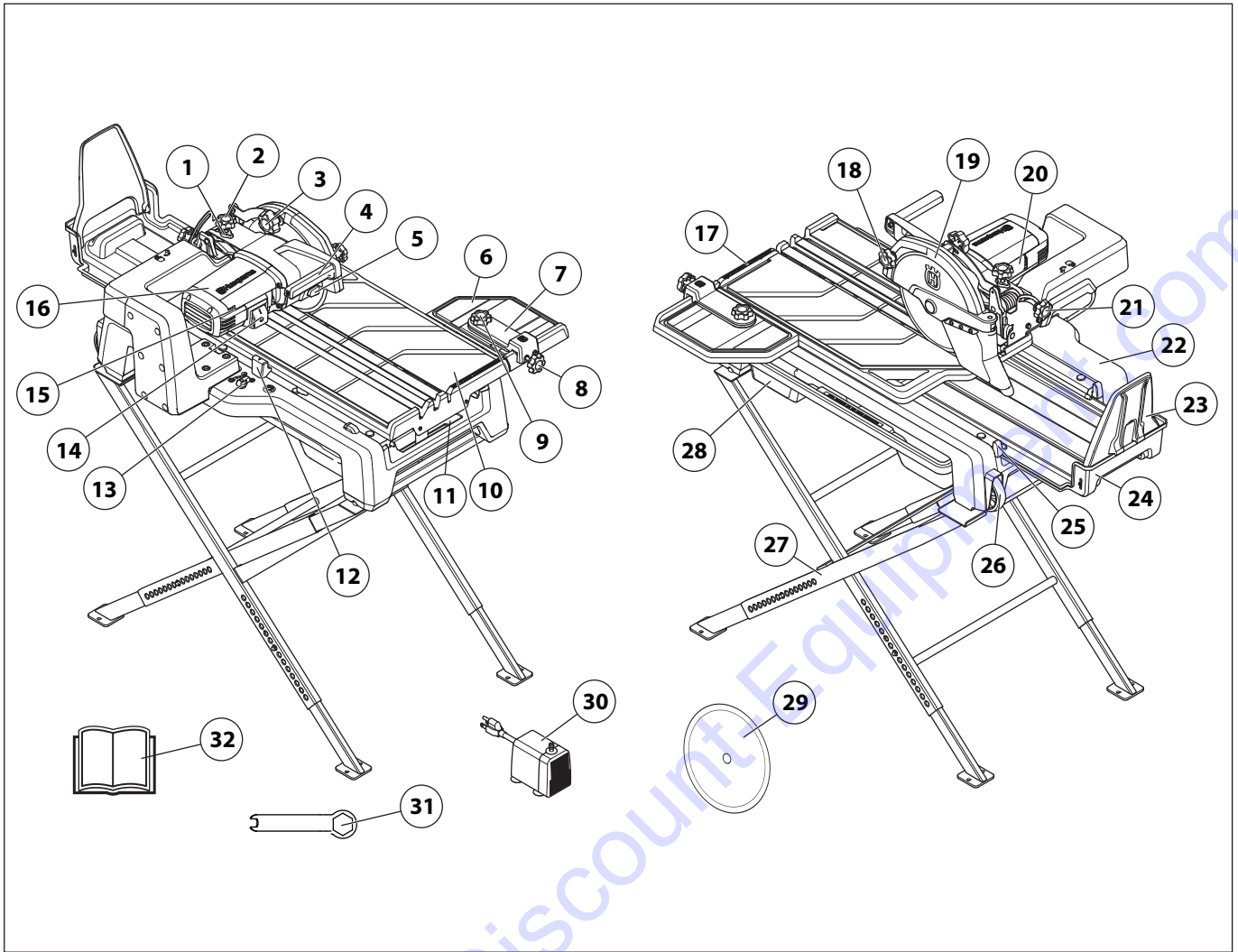
Carro de transporte funcional y mesa lateral

El carro de transporte es extra largo para proporcionar un mejor apoyo al cortar. La mesa lateral es extraíble.

Brida grande de acoplamiento de hojas

La brida grande de acoplamiento de hojas de Ø 3 in (82 mm) proporciona una buena superficie de apoyo de gran longitud para la hoja.

¿QUE ES QUE?



¿Qué es qué en la máquina?

- | | |
|--|---|
| 1 Contratuerca, ajuste de tope de profundidad | 17 Regla ajustable |
| 2 Manija, ajuste de tope de profundidad | 18 Manija de cierre, protección de la hoja |
| 3 Manija de cierre, ajuste de profundidad | 19 Protección de la hoja |
| 4 Empuñadura, brazo de corte | 20 Producto y placa de identificación |
| 5 Botón, eje del disco de bloqueo | 21 Manija de cierre, corte angulado |
| 6 Mesa lateral | 22 Bastidor |
| 7 Guía de corte | 23 Protección contra salpicaduras |
| 8 Manija de cierre, guía de corte | 24 Carro colector de barro |
| 9 Manija de cierre, guía de corte para ajuste en ángulo | 25 Parada de carro |
| 10 Carro de transporte | 26 Ruedas de transporte |
| 11 Carro de recuperación de agua | 27 Patas de soporte plegables |
| 12 Manija de cierre, carro de transporte | 28 Carro de agua |
| 13 Llave del agua, agua a la hoja (activada/desactivada) | 29 Disco - Husqvarna GS2 varicut S (10", Ø250 mm) |
| 14 Interruptor | 30 Bomba de agua |
| 15 Indicador de carga, Elgard™ | 31 Llave |
| 16 Motor eléctrico | 32 Manual de instrucciones |

EQUIPO DE SEGURIDAD DE LA MÁQUINA

Generalidades



¡ATENCIÓN! Nunca utilice una máquina con componentes de seguridad defectuosos.

¡ATENCIÓN! Si su máquina no pasa todos los controles, entréguela a un taller de servicio para su reparación.

En este capítulo se describen los componentes de seguridad de la máquina, su función y el modo de efectuar el control y el mantenimiento para garantizar un funcionamiento óptimo.

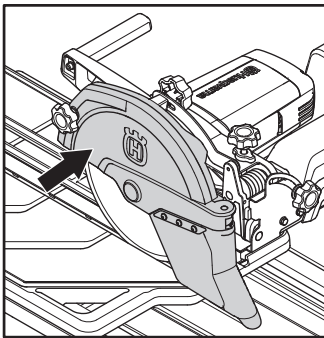
Protección de la hoja



¡ATENCIÓN! Nunca utilice la máquina sin la protección o con una protección defectuosa. Antes de arrancar la máquina, controle siempre que la protección está correctamente montada.

No está permitido exponer la hoja a más de 180 grados sin protección.

La protección del disco está diseñada para impedir que partes del disco o material cortado salgan disparadas contra el usuario.



Control de la protección del disco de corte



¡ATENCIÓN! Apague la máquina y desconecte el enchufe.

- Compruebe que la protección sobre el disco no tiene grietas ni daños de otro tipo. Cambie la protección si está dañada.

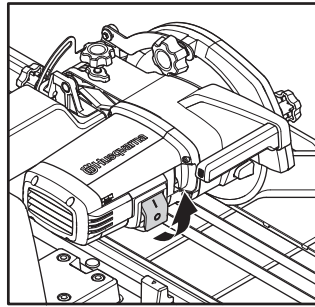
Interruptor

El interruptor se usa para arrancar y parar la máquina.

Control del interruptor

USA:

- Levante el interruptor para arrancar la máquina.

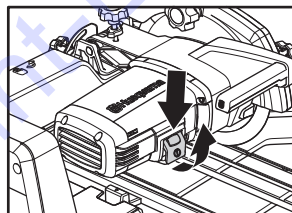


- Baje el interruptor para parar la máquina.
- Compruebe que el motor y la hoja se detienen. Asegúrese de que los discos de corte pueden girar libremente hasta que se hayan detenido por completo.

Un interruptor defectuoso debe ser cambiado por un taller de servicio oficial.

Canada:

- Empuje el inserto hacia abajo para liberar el bloqueo y levante el bloqueador del interruptor para arrancar la máquina.

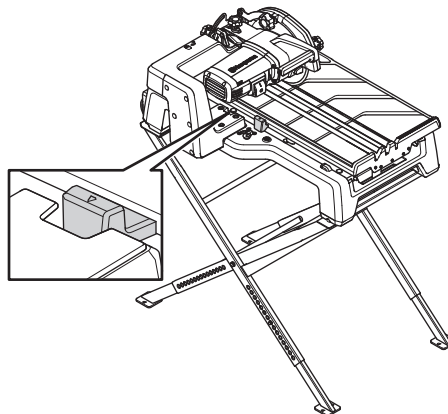


- Baje el interruptor para parar la máquina. Compruebe que el motor y la hoja se detienen. Asegúrese de que los discos de corte pueden girar libremente hasta que se hayan detenido por completo.

Un interruptor defectuoso debe ser cambiado por un taller de servicio oficial.

Manija de cierre, carro de transporte

La manija de cierre se usa para bloquear el carro de transporte cuando está en movimiento.



Bomba de agua



¡ATENCIÓN! Bomba de agua sumergible. No ejecutar en seco. Únicamente para uso doméstico. Debe mantener la toma a tierra adecuadamente. Riesgo de sacudida el No se ha investigado el uso de esta bomba en piscinas.

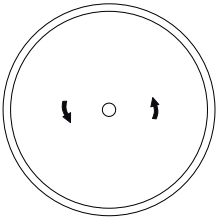
DISCOS

Generalidades



¡ATENCIÓN! Los discos pueden romperse y causar daños graves al usuario. Los discos de diamante se calientan mucho con el uso. Un disco recalentado es consecuencia de un uso inadecuado y puede deformarse, lo que podría causar daños y lesiones.

- No utilice una hoja sobrecalentada.
- Asegúrese de que se utiliza el buje adecuado para la hoja de corte que se utilizará en la máquina. Vea las instrucciones del apartado «Montaje del disco de corte».
- Los discos de corte deben estar marcados con la misma velocidad que se indica en la placa de características de la máquina, o una velocidad superior. No utilice nunca una hoja cuyo régimen nominal sea inferior al de la máquina.
- Al utilizar una hoja de diamante, procure que gire en el sentido indicado por la flecha marcada en la hoja.



- Las hojas de diamante están compuestas por un núcleo de acero provisto de segmentos o un borde continuo que contiene diamantes industriales.

Hojas adecuadas

- Hoja con borde continuo de 8 in o 10 in. Rueda con perfil de 8 in.

Hojas para diversos materiales



¡ATENCIÓN! No utilice nunca un disco de corte para ningún material para el que no esté destinado.

Al cortar materiales plásticos con un disco de diamante, hay riesgo de reculada porque el material se funde con el calor generado al cortar y se adhiere al disco. No corte nunca materiales de plástico con una hoja de diamante.

- Deberá seleccionarse la hoja en función del material que se va a cortar. Pida consejo a su distribuidor a la hora de elegir el producto adecuado.

Vibraciones en los discos de corte

- El disco puede perder su forma circular y vibrar si se usa una presión de avance demasiado alta.
- Una presión de avance más baja puede impedir la vibración. De no ser así, cambie el disco.

Afilado de hojas de diamante

- Use siempre una hoja de diamante afilada.
- Las hojas de diamante pueden volverse romas si se utiliza una presión de avance errónea o al cortar materiales como por ejemplo hormigón muy armado. El trabajo con una hoja de diamante roma comporta recalentamiento, lo que puede causar que se suelten segmentos de diamante.
- Afíle la hoja cortando en un material blando como gres o ladrillo.

Transporte y almacenamiento

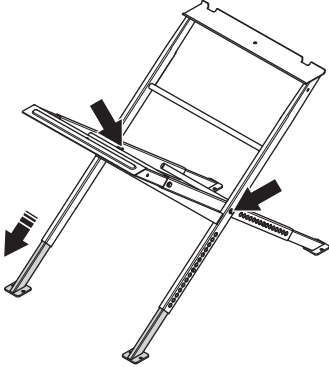
- Desmonte la cuchilla antes de transportar y almacenar la máquina.
- Guarde el disco seco.
- Revise los discos de corte nuevos para comprobar si presentan daños de transporte o almacenaje.

MONTAJE Y AJUSTES

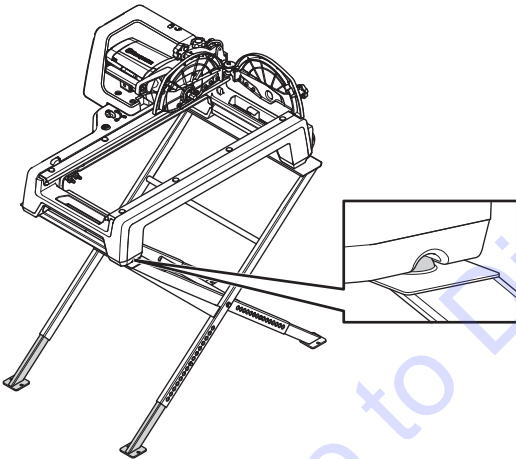
Generalidades

Coloque la TS 60 en una superficie horizontal plana y estable para evitar que vuelque, se resbale o se desplace por la superficie.

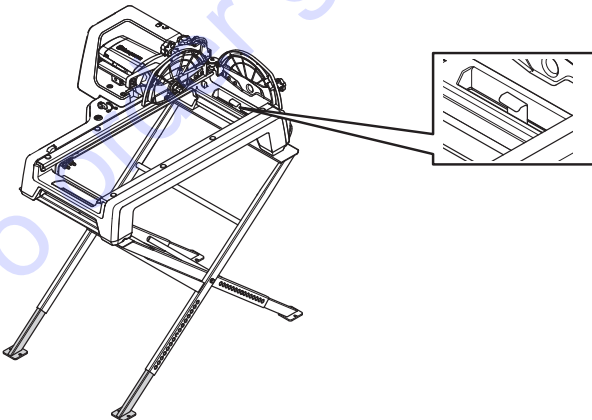
- Una las patas del bastidor usando los pernos. Las patas se pueden plegar y unir para un transporte más sencillo.



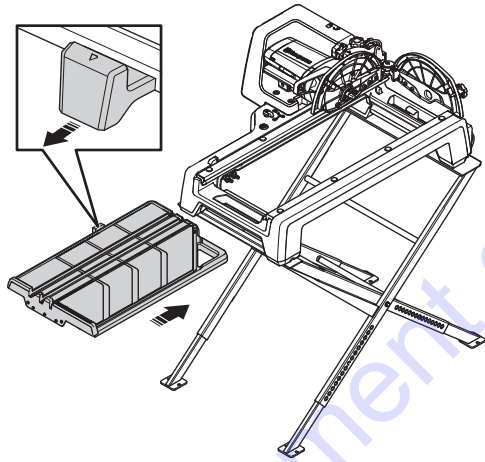
- Ajuste la altura de trabajo liberando el conector rápido accionado por muelle y deslice el tubo interno hasta la altura deseada.
- Levante la sierra en el soporte. La ranura de la sierra debe estar alineada con la del soporte.



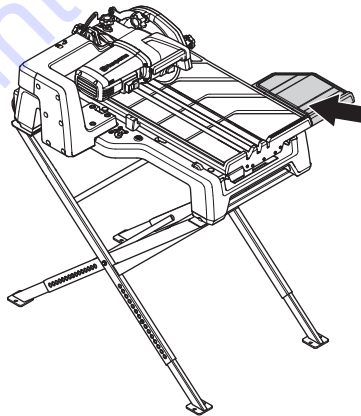
- Utilice las dos abrazaderas laterales para sujetar el bastidor en el soporte.



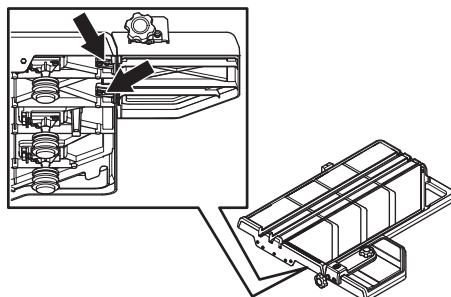
- La máquina también se puede utilizar sin las patas del bastidor o situándola en un banco de trabajo.
- Extraiga la manija de cierre del carro de transporte.



- Introduzca el carro de transporte en el bastidor. Asegúrese de que los rodillos de apoyo encajan correctamente en la ranura.
- Cuando la manija de cierre pase el asa del bastidor, empuje la manija de cierre para permitir que el carro de transporte se deslice en todos los sentidos.
- Monte la mesa lateral con los tornillos suministrados.

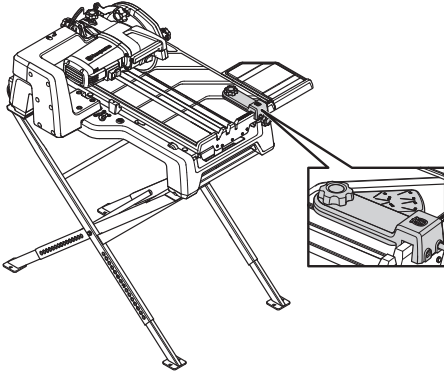


Si la mesa lateral no está al mismo nivel que el carro de transporte, necesita un ajuste. Utilice para ello los tornillos.

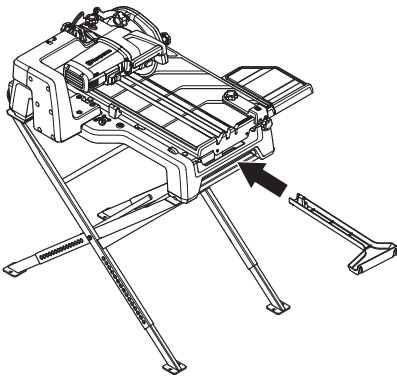


MONTAJE Y AJUSTES

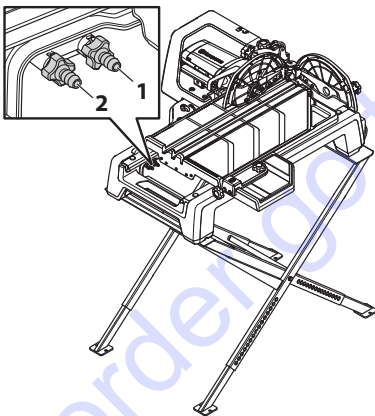
- Atornille la guía de corte en el carro de transporte. La guía puede plegarse hacia afuera para cortes angulados. Utilice las marcas de ángulo de la guía de corte para fijar el ángulo correcto.



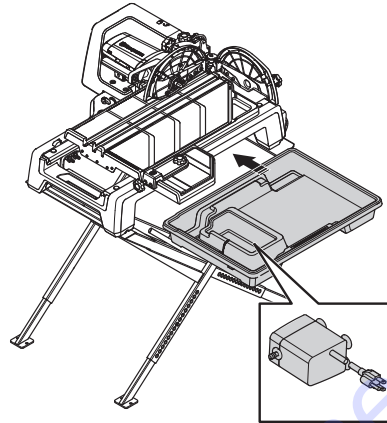
- Monte el carro de recuperación de agua. Asegúrese de que los ganchos de plástico agarren la espada, situada en la parte inferior del carro.



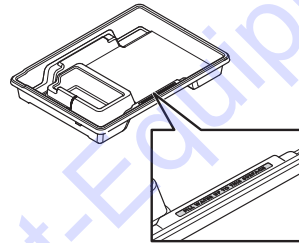
- Conecte la manguera de agua (2) y la bomba de agua (1) a los conectores del bastidor.



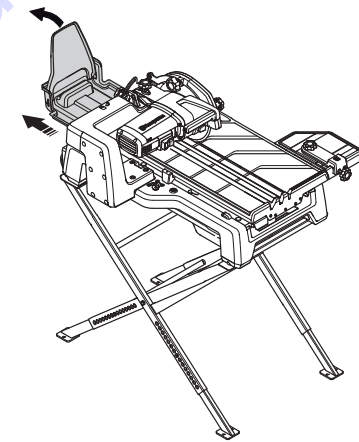
- Coloque la bomba de agua en el carro de agua. El compartimento de la bomba debe estar colocado de cara a la posición de trabajo. Introduzca el carro de agua.



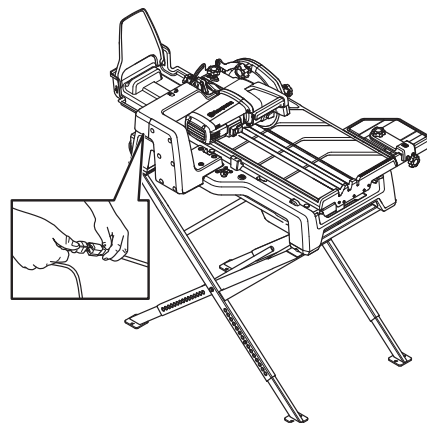
- Llénelo con agua hasta el nivel marcado.



- Saque el carro colector de barro y levante la extensión de este.



- Puede bloquear el carro colector de barro en su posición interna si lo empuja.
- Conecte el cable de alimentación de la bomba de agua al enchufe de la máquina.



- Asegúrese de que el nivel de agua se mantiene en ese nivel cuando esté cortando.

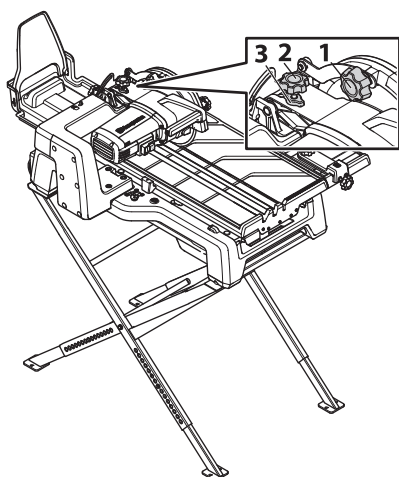
MONTAJE Y AJUSTES

Ajuste de tope de profundidad

Ajuste el tope de profundidad de modo que la hoja llegue a una profundidad de corte máxima sin cortar el carro. Esto permite que la hoja pueda recoger el caudal de agua del carro y que este se pueda distribuir cuando se corta la pieza de trabajo.

El tope de profundidad debe ajustarse cuando se cambian los tamaños de hoja.

- Afloje la manija de cierre para regular la profundidad (1) y baje el brazo de corte.



- Afloje la contratuerca (3).
- Afloje la manija de tope de profundidad (2).
- Baje el brazo de corte hasta que la hoja toque la parte inferior de la ranura del carro.
- Mantenga el brazo de corte en esta posición.
- Atornille la manija de ajuste del tope de profundidad (2) hasta que toque la parte inferior del soporte para regular la profundidad de la hoja. Gire hasta alcanzar ligeramente la parte superior del carro.
- Apriete la contratuerca (3).
- Apriete la manija de cierre para el ajuste de la profundidad (1) con el brazo de corte en su posición más baja.
- Compruebe la posición de la hoja moviendo el carro de transporte desde su posición final delantera a la trasera. La hoja no podrá tocar nunca el carro.

Nivele la sierra

Para que el sistema de agua funcione como se desea, no se permite que la máquina se incline más de 1,5° a lo largo y 3° a lo ancho.

- Coloque la máquina sobre una superficie plana. Ajuste las patas del bastidor y utilice material de relleno, si fuese necesario, para nivelar la máquina. Utilice el nivel para comprobar la inclinación.

Rodillos guía

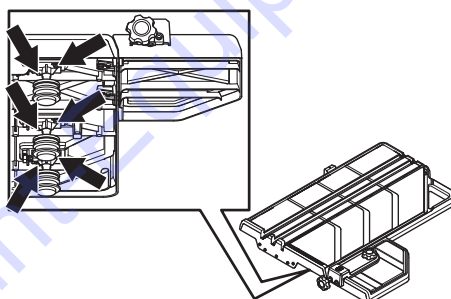
Generalidades

Si el carro de transporte no se desliza suavemente o si balancea los rodillos, necesita un ajuste.

- Compruebe que las ruedas y las guías están limpias.
- Compruebe que los ejes de los rodillos están apretados correctamente.

Ajuste los rodillos guía

- Coloque el carro en su posición media y bloquéelo con la manija de cierre.
- Gire los rodillos manualmente y compruebe que todos pueden girar sin atascarse utilizando la misma fuerza. En caso contrario, puede que sea necesario alinear de nuevo los rodillos.
- Afloje todos los soportes ajustables.

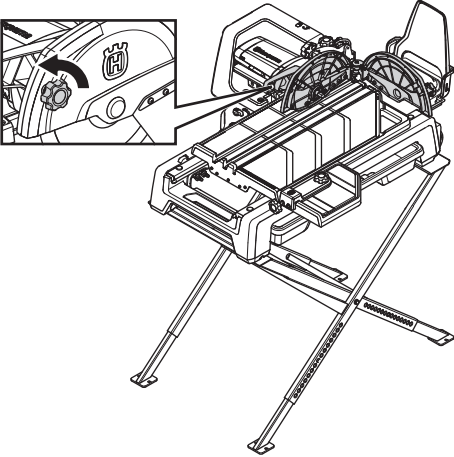


- Balancee el carro hacia atrás y hacia adelante para asegurarse de que todos los soportes están aflojados. Permita que la fuerza de los muelles empuje todos los rodillos hacia las guías.
- Bloquee todos los rodillos ajustando los tornillos de los soportes de los rodillos.

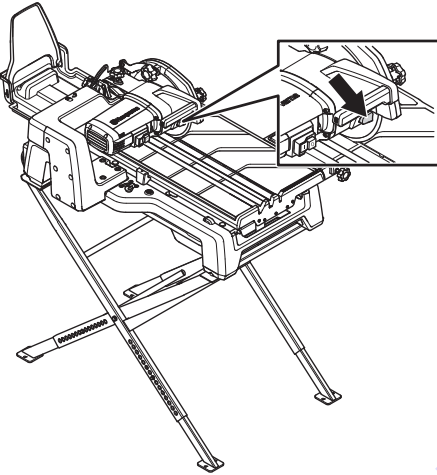
MONTAJE Y AJUSTES

Monte el disco

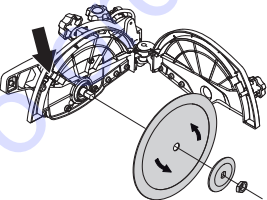
- Afloje la manilla de cierre. Abra la protección de la hoja.



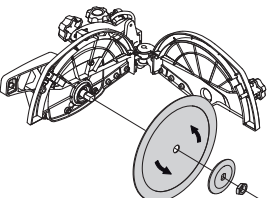
- Mantenga pulsado el botón para bloquear el eje del disco.



- Retire la tuerca. Quite la brida de acoplamiento de hojas.
- Compruebe que la hoja, la brida de acoplamiento de hojas y el eje de la hoja no están dañados. Limpie las superficies de contacto de la hoja y de la brida de acoplamiento de hojas.
- Asegúrese de que la hoja gire en la dirección indicada por la flecha de la misma.
- Cuando monte la hoja, extraiga la lanza de riego y muévela desde o hacia el eje central, en función del tamaño de la hoja (hojas de 10 in u 8 in).



- Monte la hoja, la brida de acoplamiento de hojas y la tuerca.



- Cierre la protección de la hoja. Apriete la manija de cierre.

FUNCIONAMIENTO

Equipo de protección

Generalidades

No use nunca una máquina si no tiene posibilidad de pedir auxilio si se produce un accidente.

Equipo de protección personal

Para trabajar con la máquina debe utilizarse un equipo de protección personal homologado. El equipo de protección personal no elimina el riesgo de lesiones, pero reduce su efecto en caso de accidente. Pida a su distribuidor que le asesore en la elección del equipo.



¡ATENCIÓN! El uso de productos que cortan, pulen, taladran, alisan o forman materiales puede generar polvo y vapores que pueden contener sustancias químicas dañinas. Averiguar la composición del material con que se trabaja y usar una máscara respiratoria adecuada.



¡ATENCIÓN! La exposición prolongada al ruido puede causar daños crónicos en el oído. Por consiguiente, use siempre protectores auriculares homologados.

Cuando use protección auditiva preste siempre atención a las señales o llamadas de advertencia. Sáquese siempre la protección auditiva inmediatamente después de parar el motor.



¡ATENCIÓN! Existe siempre riesgo de accidentes por apriete al trabajar con aparatos con piezas móviles. Usar guantes protectores para evitar lesiones.

Utilice siempre:

- Protectores auriculares
- Protección ocular homologada. Si se utiliza visor, deben utilizarse también gafas protectoras homologadas. Por gafas protectoras homologadas se entienden las que cumplen con la norma ANSI Z87.1 para EE.UU. o EN 166 para países de la UE. El visor debe cumplir con la norma EN 1731.
- Máscara respiratoria
- Guantes protectores.
- Gorro de protección para recoger el pelo largo.

Utilice prendas ajustadas que no limiten su movilidad. Tener en cuenta que las ropas, el pelo largo y las joyas pueden atascarse en piezas móviles.

Otros equipos de protección



¡ATENCIÓN! Mientras trabaja con la máquina, pueden producirse chispas que podrían ocasionar un incendio. Tenga siempre a mano herramientas para la extinción de incendios.

- Herramientas para la extinción de incendios
- Tenga siempre a mano el equipo de primeros auxilios.

Instrucciones generales de seguridad

Este apartado trata las normas de seguridad básicas para trabajar con el dispositivo. Esta información no sustituye en ningún caso los conocimientos y la experiencia de un profesional.

- Lea detenidamente el manual de instrucciones y asegúrese de entender su contenido antes de utilizar la máquina. Conserve todas las advertencias e instrucciones para su consulta.
- Debe tenerse en cuenta que el operador es responsable de los accidentes o riesgos que ocurran a otras personas o a su propiedad.
- Todos los operadores deben ser formados en el empleo de la máquina. El propietario es responsable de la formación de los operadores.
- La máquina debe mantenerse limpia. Los letreros y las pegatinas deben ser legibles en su totalidad.



¡ATENCIÓN! La máquina, si se utiliza de forma errónea o descuidada, puede ser una herramienta peligrosa que puede causar daños graves e incluso la muerte al usuario y a otras personas.

No permita bajo ningún concepto el empleo o mantenimiento de la máquina por los niños u otras personas no instruidas en el manejo de la misma. Nunca deje que terceros utilicen la máquina sin asegurarse primero de que hayan entendido el contenido de este manual de instrucciones.

Nunca utilice la máquina si está cansado, si ha ingerido alcohol o si toma medicamentos que puedan afectarle la vista, su capacidad de discernimiento o el control del cuerpo.



¡ATENCIÓN! Las modificaciones y/o el uso de accesorios no autorizados comportan riesgo de daños personales graves y peligro de muerte para el usuario y otras personas.

No modifique nunca esta máquina de forma que se desvíe de la versión original, y no la utilice si parece haber sido modificada por otras personas.

No utilice nunca una máquina defectuosa. Lleve a cabo las comprobaciones de seguridad y siga las instrucciones de mantenimiento y servicio de este manual. Algunas medidas de mantenimiento y servicio deben ser efectuadas por especialistas formados y cualificados. Consulte las instrucciones del apartado Mantenimiento.

Utilizar siempre recambios originales. Póngase en contacto con su distribuidor para obtener más información.

Emplee siempre el sentido común

Es imposible abarcar todas las situaciones imaginables que se pueden producir al utilizar una taladradora. Proceder siempre con cuidado y emplear el sentido común. Si se encuentra en alguna situación que le haga sentirse inseguro, deténgase y consulte con un experto. Consulte a su distribuidor, al taller de servicio técnico o a un usuario experimentado. No emplee la máquina en aplicaciones para las que no se considere plenamente cualificado.

Seguridad eléctrica



¡ATENCIÓN! Existe siempre riesgo de sacudidas eléctricas al usar máquinas eléctricas. No usar la máquina en condiciones climáticas desfavorables y evitar el contacto del cuerpo con pararrayos y objetos metálicos. Seguir siempre las instrucciones del manual para evitar daños.

Nunca conecte la máquina a una toma de corriente si el enchufe o el cable están dañados.



¡ATENCIÓN! Cuando limpie la máquina, asegúrese de que evita que el agua penetre en el sistema eléctrico y en la unidad del motor. El agua puede provocar daños en la máquina o cortocircuitos.

- Compruebe que la tensión de red concuerda con la que se indica en la placa de características de la máquina.
- El control y/o mantenimiento de la máquina debe hacerse con el motor parado y el enchufe desenchufado.
- Apague siempre la máquina antes de desenchufarla.
- No arrastre la máquina nunca por el cordón y no quite nunca el enchufe tirando del cordón. Sujete el enchufe al desconectar el cable.
- Si se daña un cable, no utilice la máquina. Llévela a reparar a un taller de servicio oficial.
- Conecte siempre la máquina mediante un interruptor de fuga a tierra con protección personal, como un disyuntor de fuga a tierra que se active a 30 mA.
- Evite el encendido accidental del motor. Asegúrese de que el interruptor está en la posición de apagado antes de conectar la máquina a una fuente de alimentación.

Instrucciones de conexión a tierra



¡ATENCIÓN! Si la conexión no es correcta, existe el riesgo de sacudida eléctrica. Póngase en contacto con un electricista cualificado para comprobar que la conexión a tierra es correcta.

No modifique el enchufe. Si no se ajusta a la toma de corriente, solicite a un electricista cualificado que instale una toma adecuada. Compruebe que cumple la normativa local.

Si tiene dudas sobre las instrucciones de conexión a tierra, póngase en contacto con un electricista.

- El aparato viene de serie con un cable y un enchufe de conexión a tierra y siempre debe conectarse a tierra. De este modo, en caso de anomalías de funcionamiento, se reduce el riesgo de sacudida eléctrica.

Cables alargadores y empalmes

- La marca del cable alargador debe ser igual o superior al valor que se indica en la placa de características de la máquina.
- Utilice cables alargadores de conexión a tierra.
- **Cuando trabaje con una herramienta eléctrica en exteriores, utilice un alargador indicado para este uso.** Utilizar un cable adecuado para su uso en exteriores reduce el riesgo de descarga eléctrica.
- La conexión con el cable alargador debe estar seca y separada del suelo.
- Manténgalo alejado de fuentes de calor, aceite, aristas vivas o piezas móviles. Los cables dañados o enredados incrementan el riesgo de descarga eléctrica.
- Compruebe que el cable y el cable de empalme está intacto. Si se daña un cable, no utilice la máquina. Llévela a reparar a un taller de servicio oficial.
- Un cable de alargue no debe usarse enrollado porque hay riesgo de sobrecalentamiento.
- Cuando utilice un cable alargador, que sea un cable alargador homologado con alcance suficiente. Si desea obtener más información, consulte las «Dimensiones de cable recomendadas» en el apartado «Datos técnicos».

Seguridad en el trabajo

Seguridad en el área de trabajo

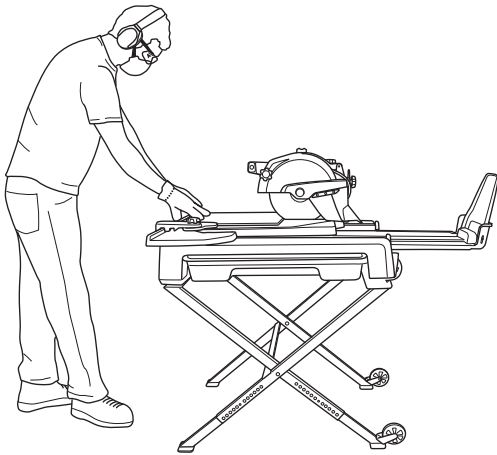
- **Mantenga el área de trabajo limpia y bien iluminada.** Las zonas abarrotadas de cosas u oscuras favorecen los accidentes.
- Las personas y los animales pueden distraer y hacer perder el control de la máquina. Por consiguiente, el operador debe estar siempre concentrado en su trabajo.
- No trabaje en condiciones atmosféricas desfavorables como niebla, lluvia intensa, tempestad, frío intenso, etc.
- Antes de comenzar a trabajar con la máquina, controle siempre que el lugar esté libre y que los pies estén bien afirmados al terreno.

Seguridad personal

- Nunca utilice la máquina si está cansado, si ha ingerido alcohol o si toma medicamentos que puedan afectar la vista, su capacidad de discernimiento o el control del cuerpo.
- Compruebe que no ha dejado ninguna herramienta u otro objeto sobre la máquina.
- No permita nunca que personas sin formación utilicen la máquina.
- Apague siempre la máquina cuando haga pausas largas.
- Un operador nunca debe trabajar solo; siempre debe haber otra(s) persona(s) cerca.
- Aprenda a utilizar la máquina y sus mandos de manera segura, así como a pararla rápidamente. Familiarícese también con las pegatinas de seguridad.
- Mantenga los mangos secos, limpios y sin aceite ni grasa.

FUNCIONAMIENTO

- No se estire demasiado. Mantenga una posición correcta y el equilibrio en todo momento.
- Nunca se suba encima de la máquina.
- Permanezca en posición vertical. Mantenga la distancia entre su cara y el disco de corte. Coloque ambas manos en la pieza de trabajo tan lejos del disco de corte como sea posible. Si se utiliza la función de inmersión, se debe colocar una mano en el mango de corte.

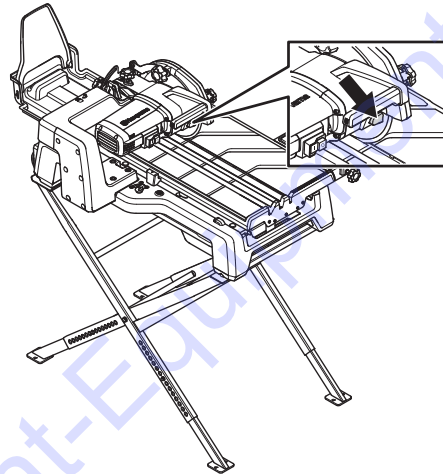


Uso y cuidado

- Esta máquina está diseñada y prevista para cortar azulejos y piedra. Cualquier otro uso es inapropiado.
- La experiencia es muy importante a la hora de utilizar la máquina. Se recomienda que el trabajo sea realizado por un trabajador cualificado.
- La máquina está destinada al uso por operadores experimentados, en aplicaciones industriales.
- Controle que la máquina esté correctamente montada y que no esté dañada.
- Antes de poner en marcha el motor, realice siempre el mantenimiento diario. Consulte las instrucciones bajo el título «Mantenimiento».
- No sobrecargar la máquina. La sobrecarga puede dañar la máquina.
- El disco debe ser adecuado para el material que se va a cortar.
- Si no está seguro de qué cuchilla utilizar, póngase en contacto con el taller local de servicio autorizado.
- Mantener las herramientas afiladas y limpias para que el trabajo sea más seguro.
- Mantenga todas las piezas en buen estado y asegúrese de que todos los componentes fijos están ajustados adecuadamente. Sustituya las etiquetas desgastadas o deterioradas.
- Mantenga bajo vigilancia la máquina siempre que el motor esté en marcha.
- Acerque la pieza de trabajo únicamente en dirección contraria a la del giro de la hoja.
- Proceda con cuidado en las elevaciones. Las piezas son pesadas, por lo que hay riesgo de daños por apriete y daños personales de otro tipo.

Refrigeración de la hoja con agua

- Siempre se debe utilizar la refrigeración con agua en la protección de la hoja para el corte angulado y diagonal de azulejos de 20 in (500 mm). El corte es mayor que el carro y, al comienzo del corte, la hoja no recogerá agua de la ranura del carro.
- Gire la llave del agua ligeramente para redirigir el agua a la hoja.
- Cuando se alcance la ranura del carro, se puede detener el caudal de agua a la hoja para mantener la zona lo más limpia posible.



Técnica básica de trabajo

Corte angulado

El brazo de corte puede pivotar hasta 45°. Hay una marca en 22,5°.

- Afloje la manija de cierre para el corte angulado y ajuste el ángulo deseado.
- Bloquee la manija.

Corte de inmersión

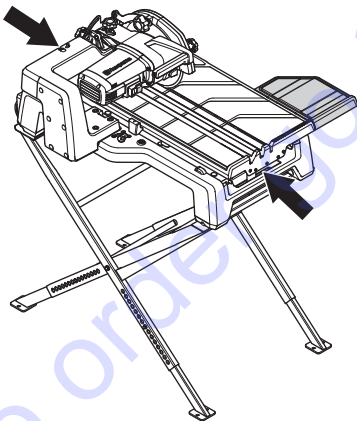
El brazo de corte tiene un resorte y es ajustable hacia arriba y hacia abajo.

- Afloje el botón de bloqueo para ajustar la profundidad. Con el mango en el brazo de corte, la cuchilla de corte se puede ajustar hacia arriba y hacia abajo y crear un corte de inmersión la pieza de trabajo.

Transporte y almacenamiento

Detenga el motor y desconecte el cable de alimentación antes de elevar o mover la máquina.

- Sujete bien el equipo durante el transporte para evitar daños y accidentes.
- Asegúrese de que el carro de transporte está bloqueado y que el soporte de extensión está bloqueado en su posición interna.
- Almacene la cortadora en lugar seguro fuera del alcance de los niños y personas no calificadas para su uso.
- Para obtener más detalles sobre el transporte y el almacenamiento de los discos, consulte el apartado «Discos».
- Levante la máquina hasta los extremos cortos.



ARRANQUE Y PARADA

Antes del arranque



¡ATENCIÓN! Lea detenidamente el manual de instrucciones y asegúrese de entender su contenido antes de utilizar la máquina.

Utilice el equipo de protección personal. Vea las instrucciones bajo el título "Equipo de protección personal".

Asegúrese de que no haya personas desautorizadas en la zona de trabajo, de lo contrario, se corre el riesgo de ocasionar graves daños personales.

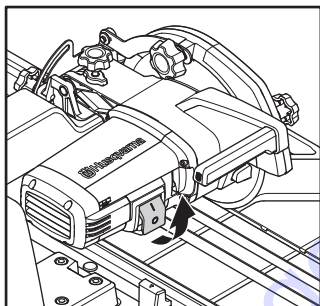
Evite el encendido accidental del motor. Asegúrese de que el interruptor está en la posición de apagado antes de conectar la máquina a una fuente de alimentación.

- Controle que la máquina esté correctamente montada y que no esté dañada. Consulte las instrucciones bajo el título «Montaje y ajustes».
- Realice el mantenimiento diario. Consulte las instrucciones bajo el título «Mantenimiento».

Arranque

USA:

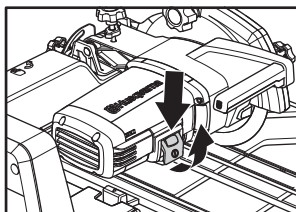
- Levante el interruptor para arrancar la máquina. La bomba de agua se acciona automáticamente cuando la máquina se pone en funcionamiento.



- Espere unos segundos para que las ranuras de agua del carro se llenen de agua antes de empezar a cortar.

Canada:

- Empuje el inserto hacia abajo para liberar el bloqueo y levante el bloqueador del interruptor para arrancar la máquina. La bomba de agua se acciona automáticamente cuando la máquina se pone en funcionamiento.



- Espere unos segundos para que las ranuras de agua del carro se llenen de agua antes de empezar a cortar.

Parada

- Baje el interruptor para parar la máquina. Asegúrese de que los discos de corte pueden girar libremente hasta que se hayan detenido por completo.

MANTENIMIENTO

Generalidades



¡ATENCIÓN! El usuario sólo puede efectuar los trabajos de mantenimiento y servicio descritos en este manual. Los trabajos de mayor envergadura debe efectuarlos un taller de servicio oficial.

Para evitar que se ponga en marcha accidentalmente, realice los pasos descritos en este capítulo con el motor apagado y el cable de alimentación desconectado, si no se indica lo contrario.

Utilice el equipo de protección personal. Vea las instrucciones bajo el título "Equipo de protección personal".

La vida útil de la máquina puede acortarse y el riesgo de accidentes puede aumentar si el mantenimiento de la máquina no se hace de forma adecuada y si los trabajos de servicio y/o reparación no se efectúan de forma profesional. Para más información, consulte con el taller de servicio oficial más cercano.

Mantenimiento diario

- Compruebe que el equipo de seguridad de la máquina está intacto. Consulte las instrucciones del apartado «Equipo de seguridad de la máquina».
- Limpie la parte exterior de la máquina. No utilice un equipo de limpieza a alta presión para limpiar la sierra.
- Abra la protección de la hoja. Limpie el interior y el exterior y cierre la protección de la hoja.



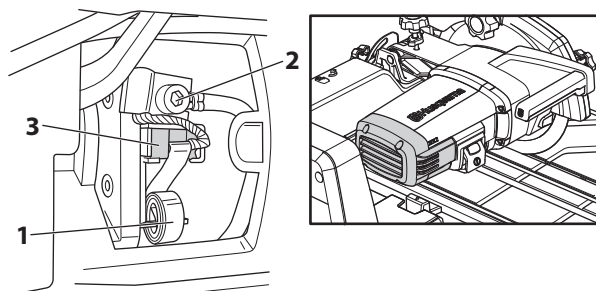
¡ATENCIÓN! No limpie nunca el motor y las piezas eléctricas con agua.

AVISO Limpie la máquina adecuadamente para evitar que restos o pequeñas piezas de azulejo penetren y provoquen daños en el sistema de agua. Si el agua de los canales de descarga del carro rebasa el carro colector de la parte inferior del carro, extráigalo y límpielo. Vuelva a colocar el carro colector.

Cambio de escobillas de carbón

Las escobillas deben desmontarse y revisarse regularmente. Cada semana si la máquina se utiliza a diario, o a intervalos más largos si se utiliza con menor frecuencia.

- Afloje los pernos que fijan la cubierta protectora y extráigala.
- Afloje el tornillo (2).
- Levante el muelle retenedor del cepillo hacia un lado (1).
- Extraiga el cepillo de carbón del soporte (3).



- Coloque la escobilla de carbón nueva. Asegúrese de colocar la escobilla de carbón correctamente y de que se introduce con facilidad en el soporte para la escobilla. Si la escobilla de carbón está colocada en la dirección errónea, puede atascarse.
- Colocar el muelle del portaescobilla.
- Insertar la conexión de escobilla debajo del tornillo.
- Repetir el procedimiento con la otra escobilla.
- Monte la tapa protectora.

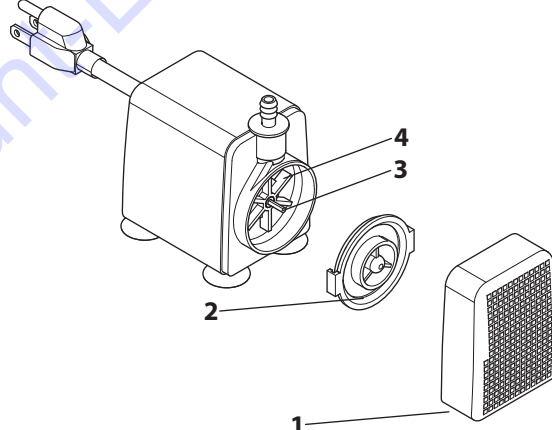
Bomba de agua

Proceda del siguiente modo si la bomba de agua deja de bombear.

- Deje de cortar.
- Apague la máquina y desconecte el enchufe.
- Extraiga la bomba de agua.

Limpie la bomba de agua

- Extraiga la tapa de la toma de agua (1).
- Gire la cubierta del propulsor(2) y extráigala.
- Extraiga la turbina (4) y el eje (3) y limpie las piezas, incluido el alojamiento.



Puede utilizarse un trapo para eliminar las partículas de hierro que pueden haberse adherido al eje del rotor magnético.

Drenaje de agua

Limpie el carro de recuperación de agua tras cada uso.

- Detenga el corte.
- Levante el carro de recuperación de agua y empújelo para liberar su parte trasera.
- Levante y suelte el gancho de plástico de la parte inferior del carro.
- Limpie el carro de recuperación de agua y vuelva a colocarlo en su lugar.

Reparaciones

Las reparaciones de todo tipo deben ser efectuadas por técnicos autorizados, únicamente. De este modo se evita someter a los operadores a grandes riesgos.

DATOS TECNICOS

Datos técnicos

Motor	TS60, 120V
Potencia, cv/kW	2,3/1,7
Tensión, V	100-120
Fases	1
Frecuencia, Hz	50-60
Velocidad, r/min	3000
Refrigeración por agua	
Bomba de agua, V	100-120
Bomba de agua, Hz	60
Bomba de agua, A	0,48
Bomba de agua Hmax, m	2,8
Bomba de agua Qmax, l/h	1350
Depósito de agua, gal/l	3.3/12,4
Equipo de corte	
Tamaño máx. del disco, pulgadas/mm	10/254
Profundidad máxima de la sierra, pulgadas/mm	3/78
Profundidad de corte a 45° máx., pulgadas/mm	1.8/45
Profundidad de corte, máx., pulgadas/mm	28 5/8 / 726
Tamaño del árbol, inch/mm	5/8 / 16
Corte en ángulo	45° y 22,5°
Dimensiones	
Peso, lb/kg	79/36
Peso, cargado, lb/kg	132.6/60
Tamaño (A x L x C), inch/mm	37x28x18/932x700x468
Dimensiones, cargado (la. x an. x al.), pulgadas/mm	40x22x29/1007x565x745

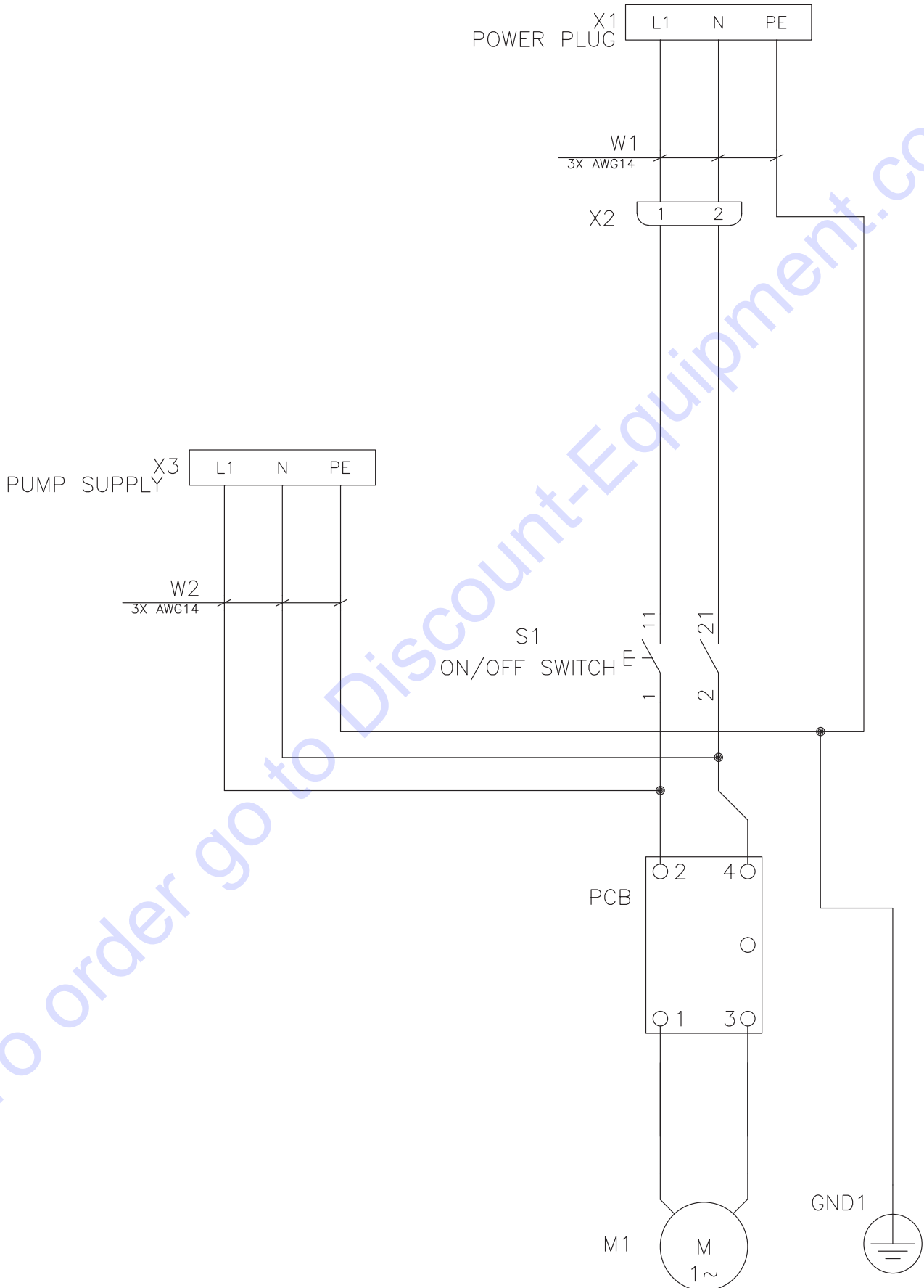
Dimensiones de cable recomendadas

AVISO Un buen funcionamiento del motor depende de la tensión adecuada. Si la alargadera es demasiado larga o poco gruesa, se reducirá la potencia cuando el motor esté cargado, lo que derivará en problemas de rendimiento o funcionamiento.

ESQUEMA DE CONEXIONES ELÉCTRICAS

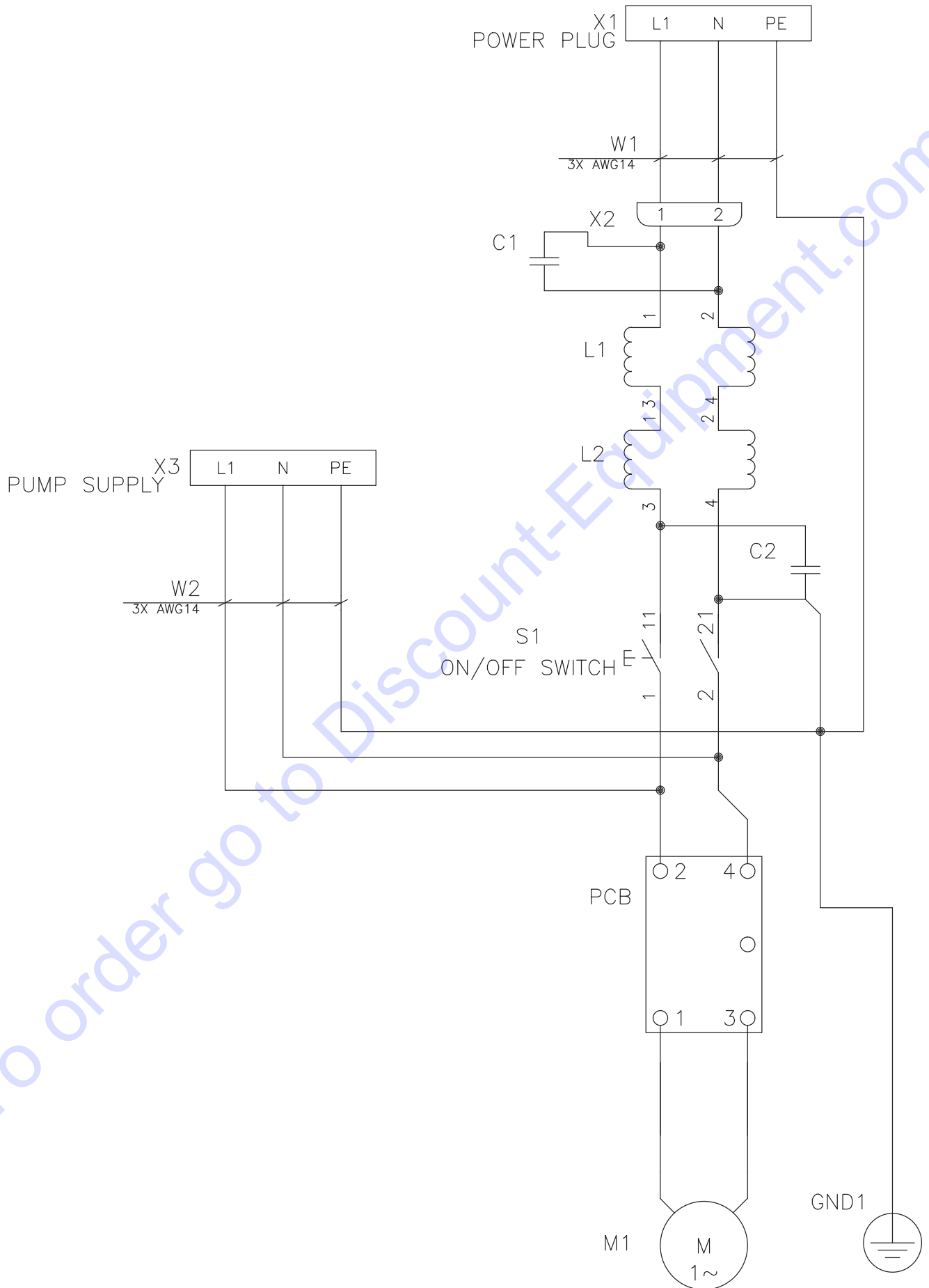
Esquema de conexiones eléctricas

USA: 120V



ESQUEMA DE CONEXIONES ELÉCTRICAS

Canada: 120V





US - Original instructions, CA - Instructions d'origine, ES - Instrucciones originales



1154467-49

2015-03-06

TO PURCHASE THIS PRODUCT PLEASE CONTACT US



**Equipment Financing and
Extended Warranties Available**



**Discount-Equipment.com is your online resource for
commercial and industrial quality parts and equipment sales.**

561-964-4949

visit us on line @ www.discount-equipment.com

Select an option below to find your Equipment

Search by Manufacturer

Search by Product Type

Request a Quote

We sell worldwide for the brands: Genie, Terex, JLG, MultiQuip, Mikasa, Essick, Whiteman, Mayco, Toro Stone, Diamond Products, Generac Magnum, Airman, Haulotte, Barreto, Power Blanket, Nifty Lift, Atlas Copco, Chicago Pneumatic, Allmand, Miller Curber, Skyjack, Lull, Skytrak, Tsurumi, Husquvarna Target, Stow, Wacker, Sakai, Mi-T-M, Sullair, Basic, Dynapac, MBW, Weber, Bartell, Bennar Newman, Haulotte, Ditch Runner, Menegotti, Morrison, Contec, Buddy, Crown, Edco, Wyco, Bomag, Laymor, EZ Trench, Bil-Jax, F.S. Curtis, Gehl Pavers, Heli, Honda, ICS/PowerGrit, IHI, Partner, Imer, Clipper, MMD, Koshin, Rice, CH&E, General Equipment, Amida, Coleman, NAC, Gradall, Square Shooter, Kent, Stanley, Tamco, Toku, Hatz, Kohler, Robin, Wisconsin, Northrock, Oztec, Toker TK, Rol-Air, APT, Wylie, Ingersoll Rand / Doosan, Innovatech, Con X, Ammann, Mecalac, Makinex, Smith Surface Prep, Small Line, Wanco, Yanmar