



SPARE PARTS LIST

TILE SAWS

TS70, 2015-07

Go to Discount-Equipment.com to order your parts



PARTS FINDER

**Search Website
by Part Number**



**Search Manual
Library For Parts
Manual & Lookup Part
Numbers – Purchase
or Request Quote**

Search Manuals

Enter your information to help us find the right parts manual for your machine.

* Brand:

* Model:

* Serial:

* Part Number:

SEARCH

**Can't Find Part or
Manual? Request Help
by Manufacturer,
Model & Description**

Parts Order Form

Please fill in the following information to help us find the right part for your machine.

Manufacturer:	<input type="text"/>
Model:	<input type="text"/>
Description:	<input type="text"/>
Part Number:	<input type="text"/>
Quantity:	<input type="text"/>
Notes:	<input type="text"/>

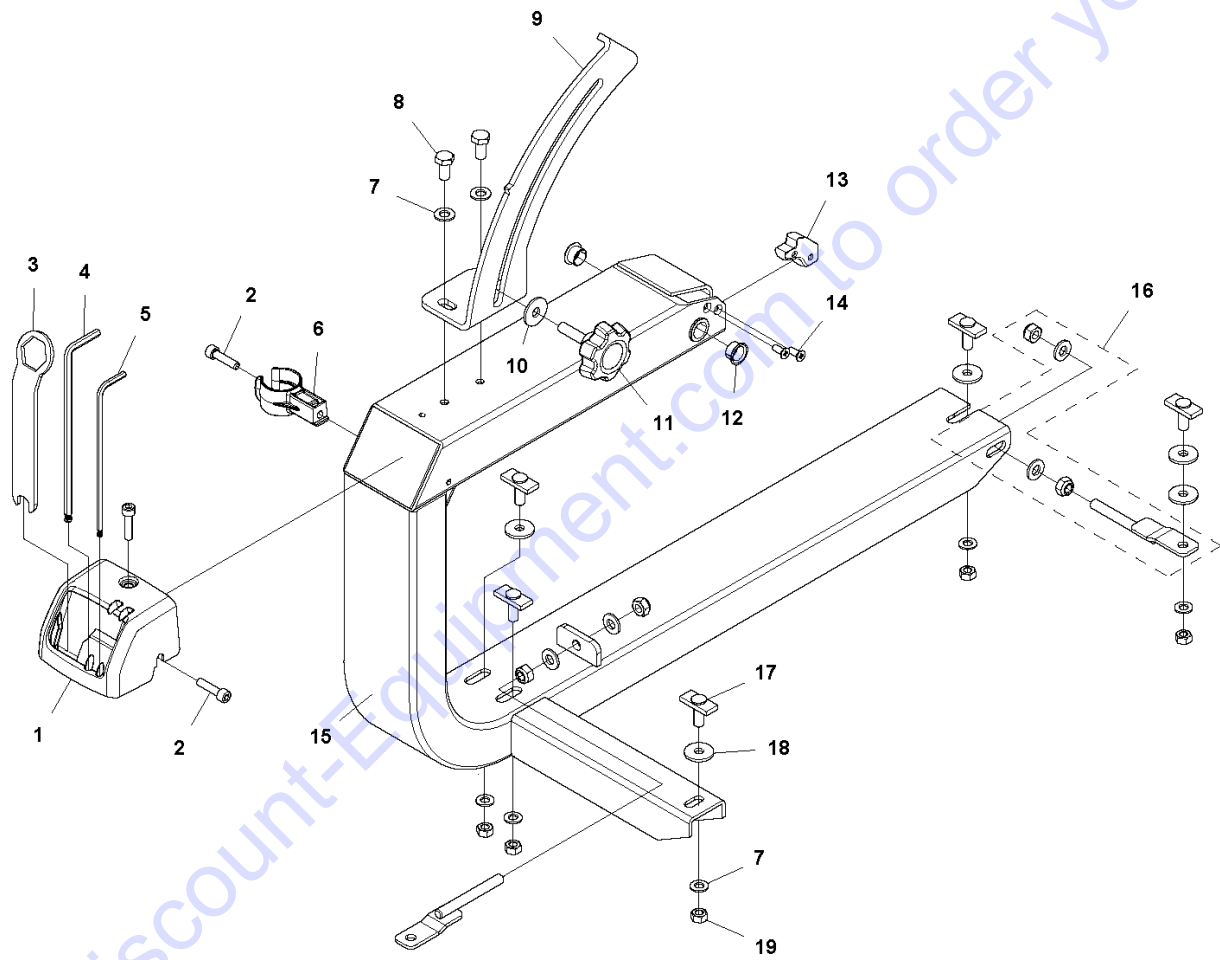
Discount-Equipment.com is your online resource for quality parts & equipment.

Florida: **561-964-4949** Outside Florida TOLL FREE: **877-690-3101**

Need parts?

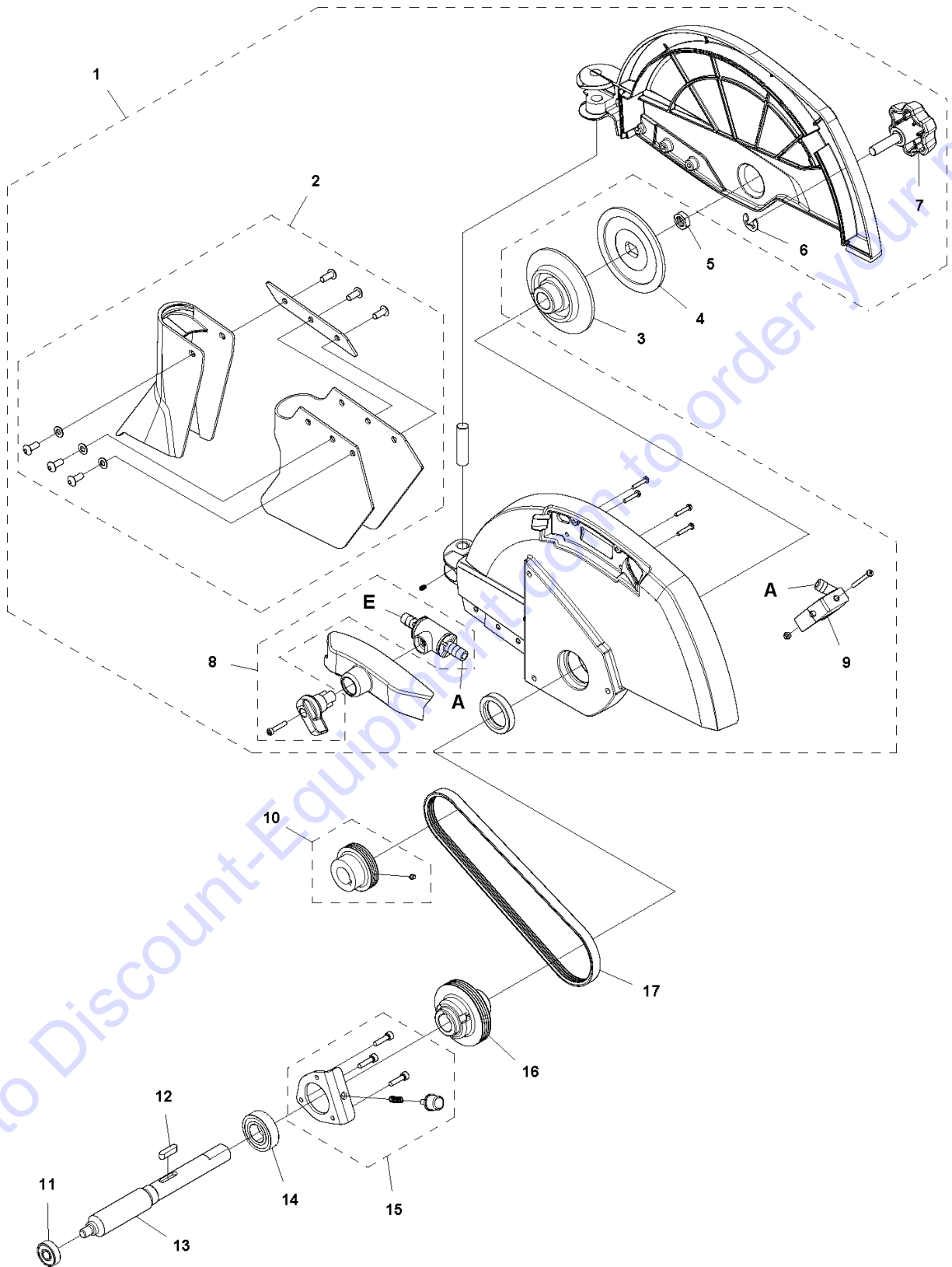
Click on this link: <http://www.discount-equipment.com/category/5443-parts/> and choose one of the options to help get the right parts and equipment you are looking for. Please have the machine model and serial number available in order to help us get you the correct parts. If you don't find the part on the website or on one of the online manuals, please fill out the request form and one of our experienced staff members will get back to you with a quote for the right part that your machine needs.

We sell worldwide for the brands: Genie, Terex, JLG, MultiQuip, Mikasa, Essick, Whiteman, Mayco, Toro Stone, Diamond Products, Generac Magnum, Airman, Haulotte, Barreto, Power Blanket, Nifty Lift, Atlas Copco, Chicago Pneumatic, Allmand, Miller Curber, Skyjack, Lull, Skytrak, Tsurumi, Husquvarna Target, Stow, Wacker, Sakai, Mi-T-M, Sullair, Basic, Dynapac, MBW, Weber, Bartell, Bennar Newman, Haulotte, Ditch Runner, Menegotti, Morrison, Contec, Buddy, Crown, Edco, Wyco, Bomag, Laymor, EZ Trench, Bil-Jax, F.S. Curtis, Gehl Pavers, Heli, Honda, ICS/PowerGrit, IHI, Partner, Imer, Clipper, MMD, Koshin, Rice, CH&E, General Equipment, Amida, Coleman, NAC, Gradall, Square Shooter, Kent, Stanley, Tamco, Toku, Hatz, Kohler, Robin, Wisconsin, Northrock, Oztec, Toker TK, Rol-Air, APT, Wylie, Ingersoll Rand / Doosan, Innovatech, Con X, Ammann, Mecalac, Makinex, Smith Surface Prep, Small Line, Wanco, Yanmar



Ref	Part No	Description	Remark	QTY KIT
1	585 56 39-01	COVER		1
2	725 53 72-01	SCREW IHSCM		3
3	510 22 54-37	WRENCH		1
4	588 10 99-02	WRENCH		1
5	588 10 99-01	WRENCH		1
6	585 54 53-01	CLIP		1
7	734 11 63-01	WASHER		7
8	725 24 49-71	SCREW EHHM		2
9	585 23 64-01	BRACKET		1
10	584 14 69-01	WASHER		1
11	585 59 50-01	KNOB		1
12	585 62 09-02	BUSH		2
13	585 54 93-01	BRACKET		1
14	725 62 95-01	SCREW IHCSFM		2
15	585 23 45-01	ARM		1
16	588 95 77-01	ADJUSTER		2
17	588 11 63-01	BRACKET		5
18	504 58 11-01	WASHER		5
19	732 25 18-01	HEXAGON LOCKING NUT		5

Go to Discount-Equipment.com to order your parts



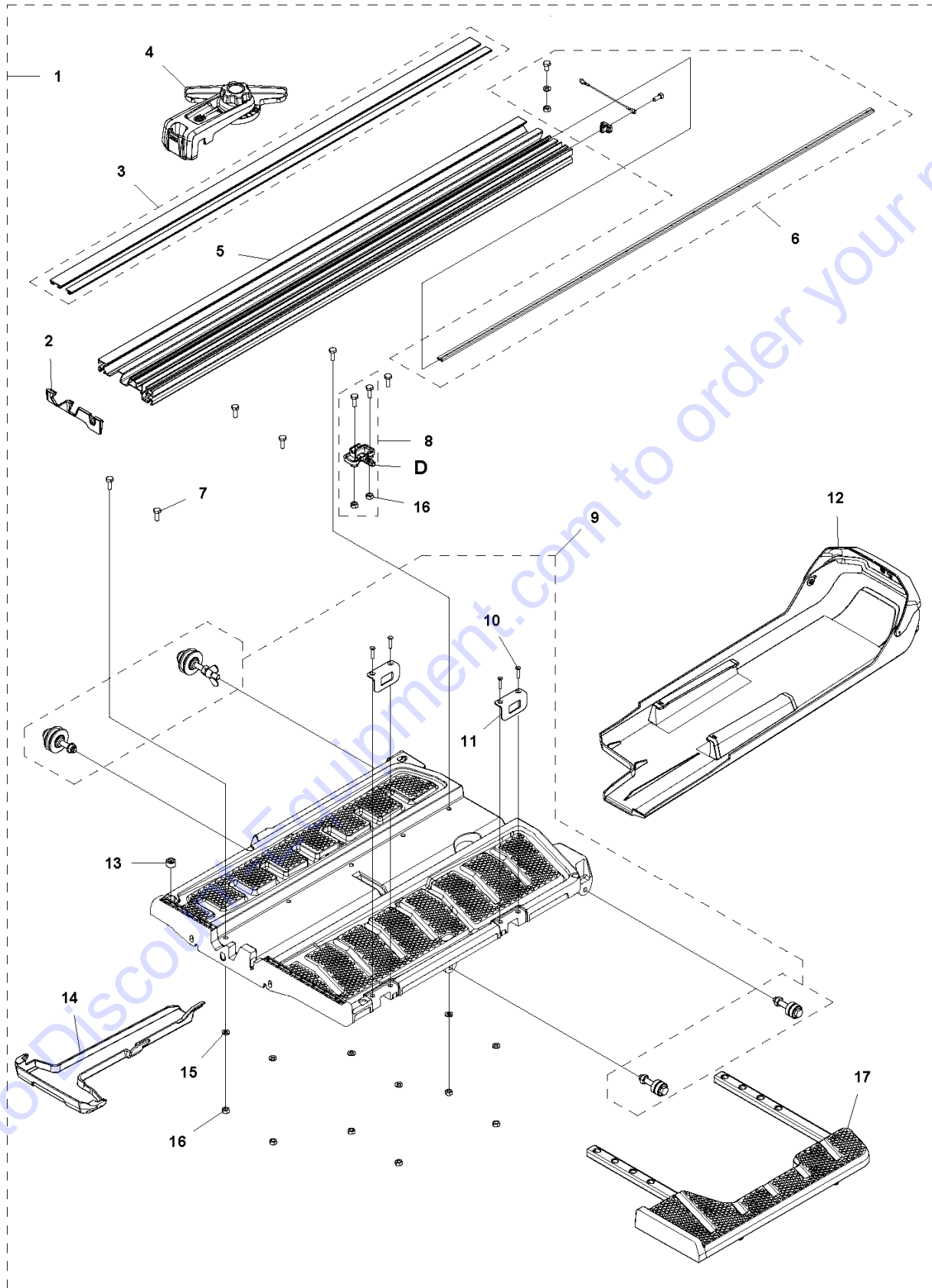
Go to Discount-Equipment.com to order your parts

BLADE GUARD

TS70, 2015-07

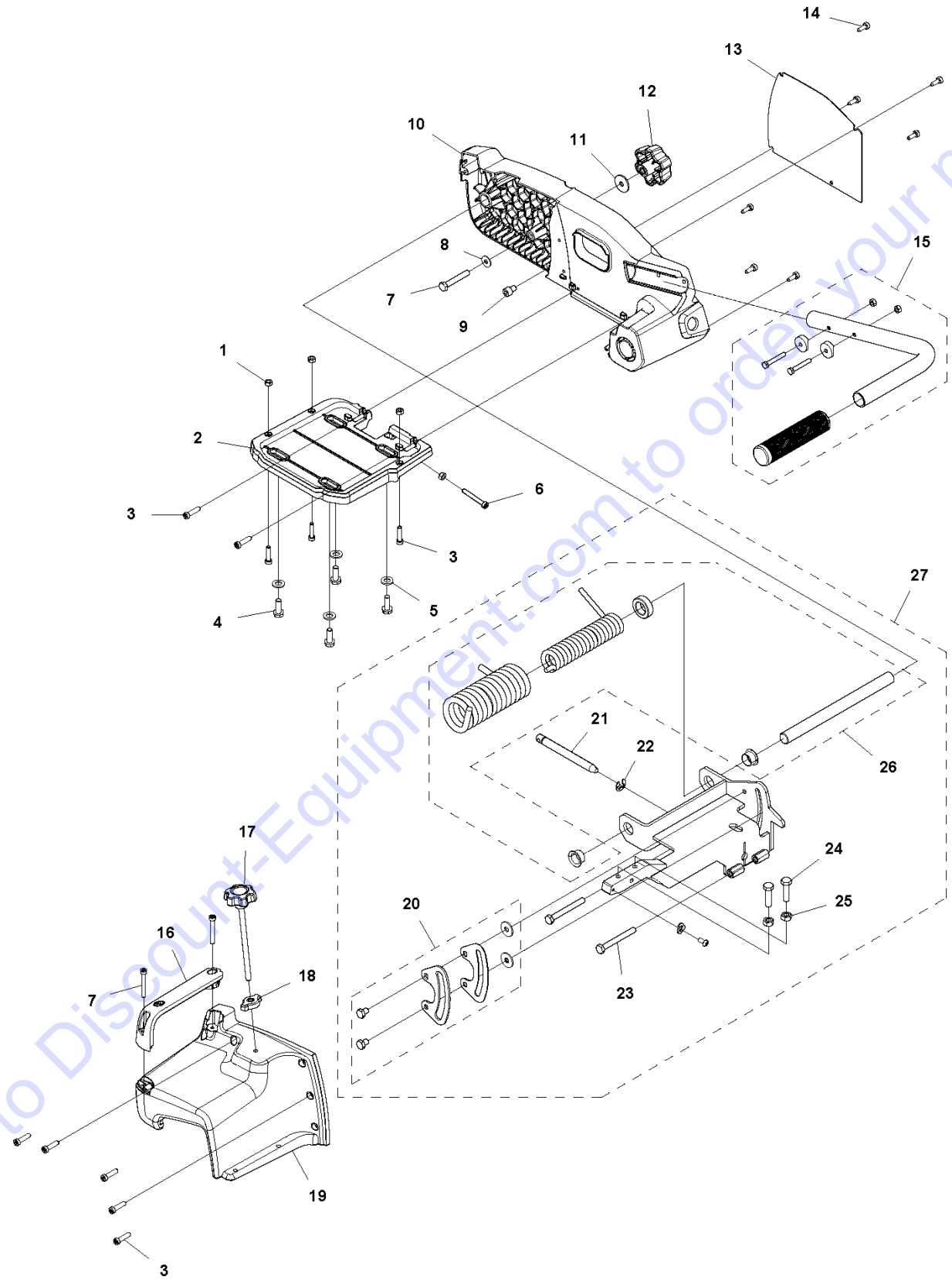
Ref	Part No	Description	Remark	QTY	KIT
1	585 59 63-01	BLADE GUARD		1	
2	588 91 86-01	SPLASH GUARD		1	1
3	581 55 72-01	FLANGE WASHER		1	
4	575 63 68-01	FLANGE		1	
5	581 55 91-01	BELT		1	
6	576 68 23-01	NUT		1	
7	735 31 12-21	E-CLIP		1	1
8	585 59 50-01	KNOB		1	1
9	585 59 77-01	NOZZLE		1	1
10	589 00 42-01	PULLEY KIT	Ø24 Motor Shaft	1	
10	589 00 42-02	PULLEY KIT	Ø19 Motor Shaft	1	
11	525 81 67-01	BEARING		1	
12	581 55 95-01	PARALLEL KEY		1	
13	581 55 93-01	BLADE SHAFT		1	
14	738 21 03-04	BALL BEARING		1	
15	588 95 82-01	LOCKING BUTTON		1	
16	580 81 50-01	PULLEY		1	
17	581 55 87-01	BELT		1	

Go to Discount-Equipment.com to order your parts



Ref	Part No	Description	Remark	QTY KIT
1	581 36 96-01	CART		1
2	581 34 32-01	GASKET		1
3	588 91 87-01	PROFILE		1
4	584 25 40-01	GUIDE		1
5	580 27 42-02	PROFILE		1
6	588 91 88-01	PROFILE		1
7	725 23 68-71	SCREW EHHM		6
8	588 95 83-01	NOZZLE		1
9	588 91 58-01	WHEEL KIT		1
10	725 62 95-01	SCREW IHCSFM		4
11	580 27 46-01	BRACKET		2
12	581 37 35-01	COLLECTOR		1
13	541 40 50-36	LEVEL BUBBLE		1
14	580 27 60-01	COLLECTOR		1
15	734 11 52-01	WASHER		10
16	732 25 16-01	HEXAGON LOCKING NUT		9
17	581 37 42-01	TABLE		1

Go to Discount-Equipment.com to order your parts



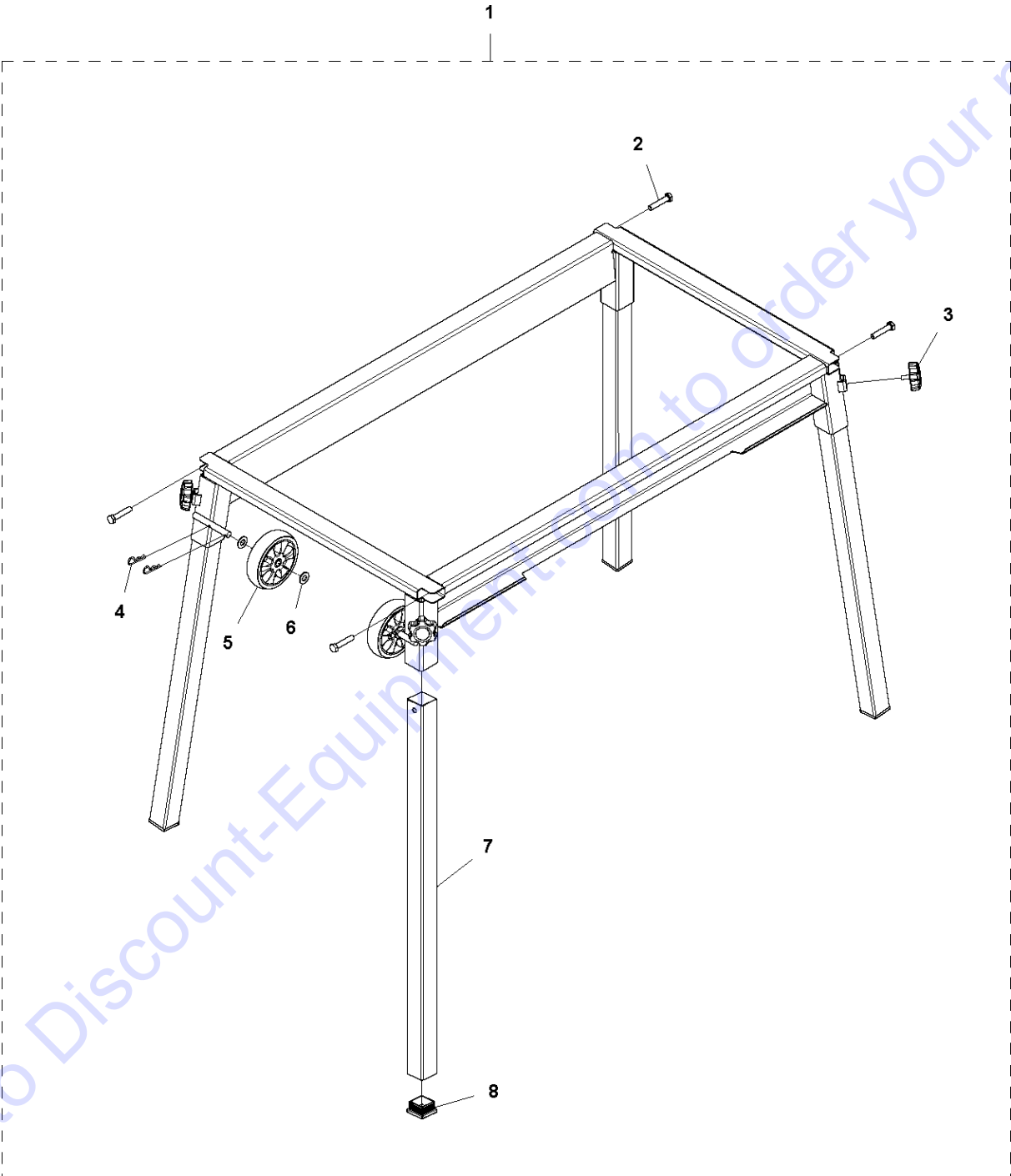
Go to Discount-Equipment.com to order your parts

CUTTING HEAD

TS70, 2015-07

Ref	Part No	Description	Remark	QTY	KIT
1	732 25 16-01	HEXAGON LOCKING NUT		6	
2	586 33 26-01	MOTOR SUPPORT		1	
3	725 53 72-01	SCREW IHSCM		10	
4	725 24 51-71	SCREW EHHM		4	
5	734 11 63-01	WASHER		4	
6	588 80 40-01	SCREW IHSCM		3	
7	725 24 63-51	SCREW EHHM		1	
8	584 14 69-01	WASHER		1	
9	725 54 47-01	SCREW IHSCM		1	
10	581 09 90-01	CUTTER ARM		1	
11	588 85 07-01	WASHER		1	
12	585 59 50-05	KNOB		1	
13	581868801	TBD		1	
14	725 53 27-01	SCREW IHSCM		7	
15	588 91 57-01	HANDLE KIT		1	
16	586 38 00-01	HANDLE		1	
17	585 59 50-02	KNOB		1	
18	522 77 44-03	KNOB		1	
19	581 27 99-01	CUTTER ARM		1	
20	588 91 85-01	PLATE KIT		1	27
21	587 40 94-01	AXLE		1	27
22	579 48 28-01	E-CLIP		1	27
23	725 24 65-51	SCREW EHHM		2	27
24	725 24 59-71	SCREW		2	27
25	731 23 18-01	HEXAGON NUT		2	27
26	588 91 84-01	SPRING		1	27
27	586 83 02-02	JOINT		1	

Go to Discount-Equipment.com to order your parts

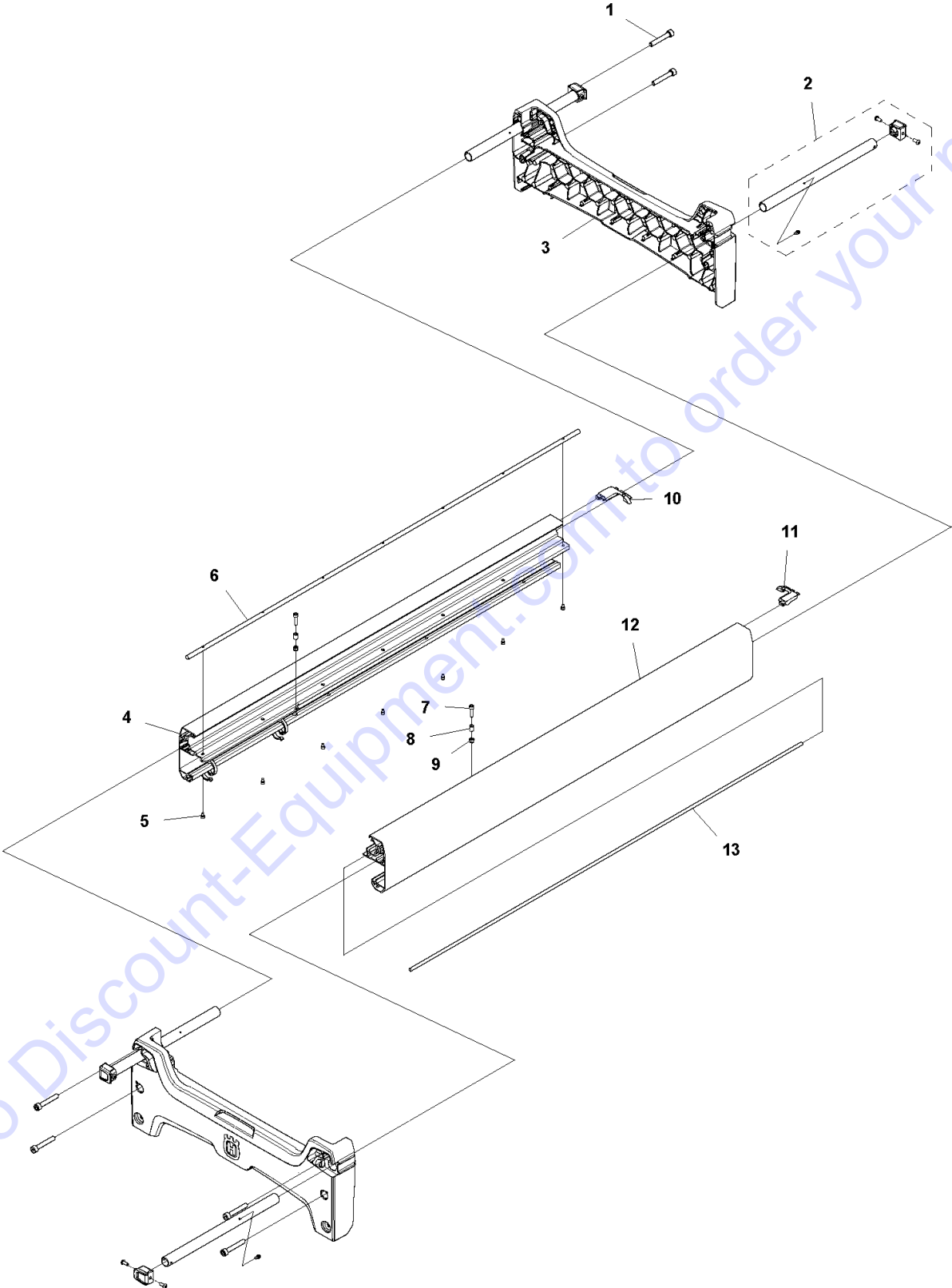


FIXED STANDS

TS70, 2015-07

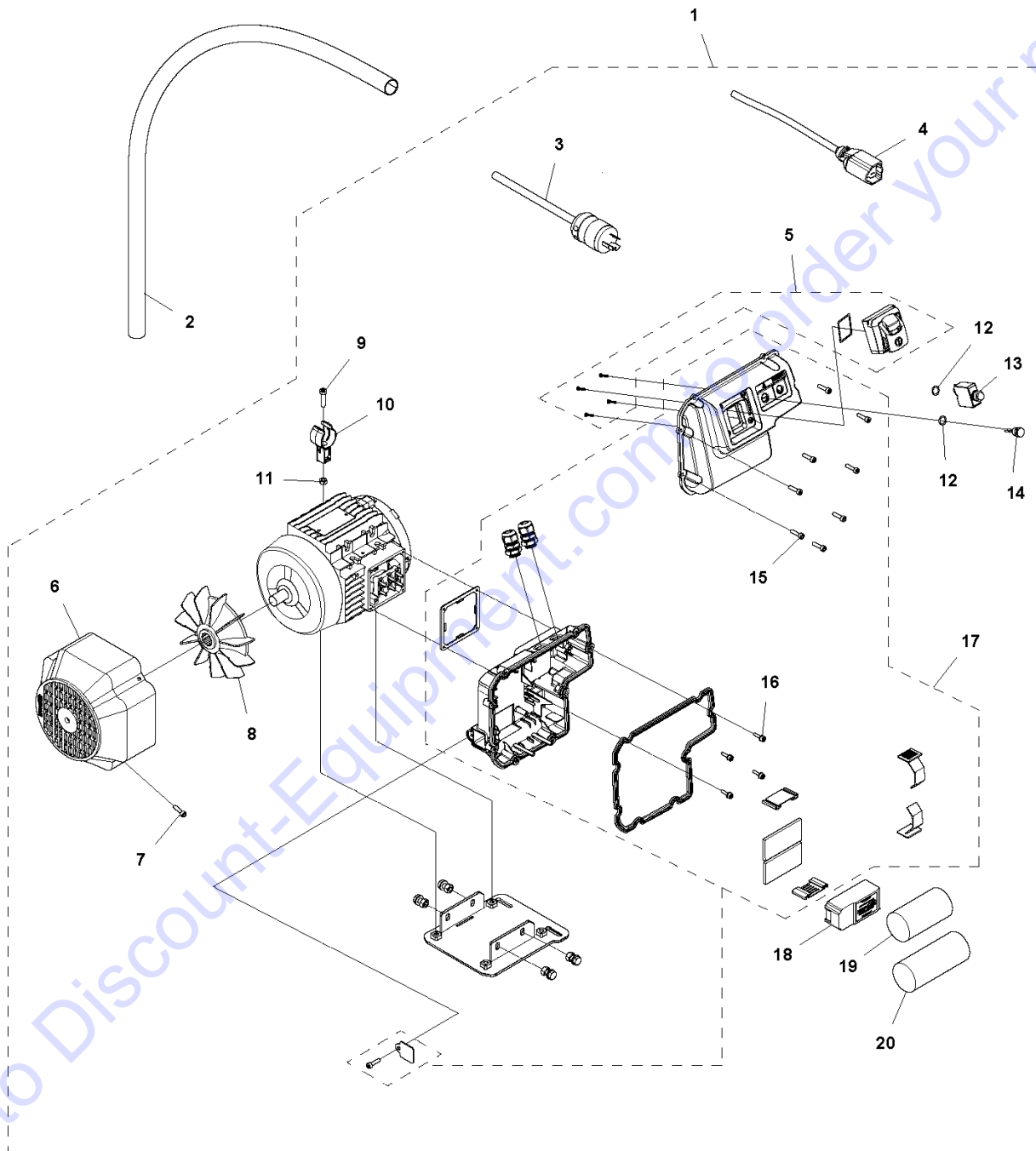
Ref	Part No	Description	Remark	QTY KIT
1	579 59 64-02	STAND		1
2	725 24 59-71	SCREW		4
3	585 59 50-03	KNOB		4
4	721 68 01-51	SPRING COTTER		2
5	510 22 54-27	WHEEL		2
6	734 11 72-01	WASHER		4
7	579 59 63-01	PROFILE		4
8	585 52 97-01	CAP		4

Go to Discount-Equipment.com to order your parts



Ref	Part No	Description	Remark	QTY KIT
1	725 54 61-01	SCREW IHSCM		8
2	585 60 56-01	HANDLE		1
3	585 23 61-01	GABLE		2
4	584 92 99-02	PROFILE		1
5	588 71 93-01	SCREW IHSCM		7
6	585 54 38-01	ROD		1
7	725 53 31-01	SCREW IHSCM		2
8	574 61 06-03	SLEEVE		2
9	732 25 14-01	HEXAGON LOCKING NUT		2
10	585 51 92-01	PLUG		1
11	585 51 93-01	PLUG		1
12	584 93 00-02	PROFILE		1
13	585 54 40-01	ROD		1

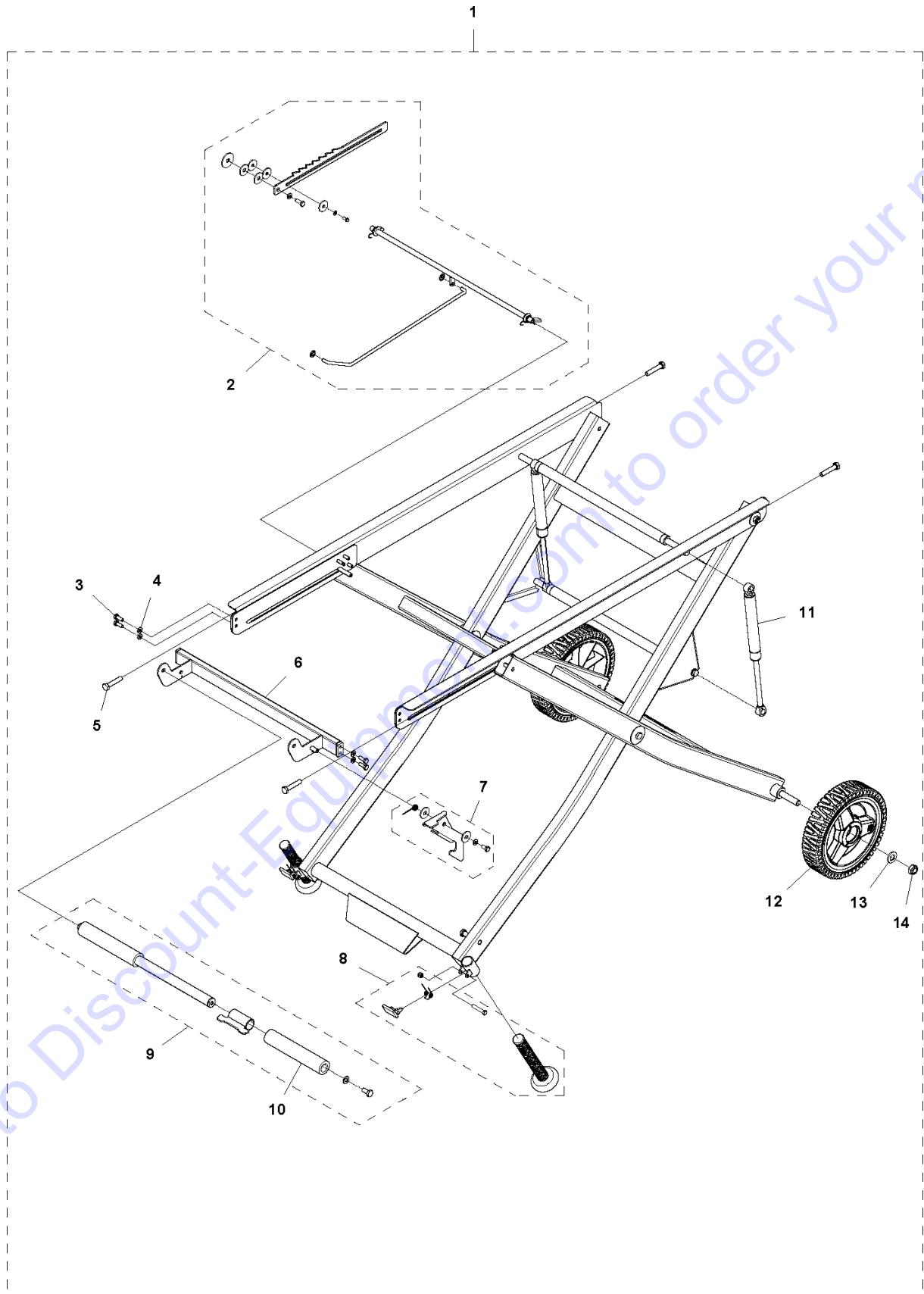
Go to Discount-Equipment.com to order your parts



Go to Discount-Equipment.com to order your parts

Ref	Part No	Description	Remark	QTY KIT
1	585 22 54-04	MOTOR		1
2	585 54 54-02	HOSE		1
3	586 36 93-02	CABLE		1
4	525 81 45-02	CABLE		1
5	588 92 96-01	SWITCH KIT		1
6	589 23 41-01	FAN COVER		1
7	724 13 23-01	SCREW CRPANM		4
8	589 23 45-01	FAN		1
9	725 53 70-01	SCREW IHSCM		1
10	585 54 53-01	CLIP		1
11	732 25 16-01	HEXAGON LOCKING NUT		1
12	587 92 36-01	O-RING		2
13	585 54 41-02	CIRCUIT BREAKER		1
14	580 88 16-03	LAMP		1
15	725 53 31-05	SCREW IHSCM		9
16	725 52 93-01	SCREW IHSCM		4
17	588 91 91-01	ELECTRONIC BOX		1
18	586 29 40-02	ELECTRONIC BOX		1
19	585 54 44-01	CAPACITOR		1
20	585 54 45-01	CAPACITOR		1

Go to Discount-Equipment.com to order your parts



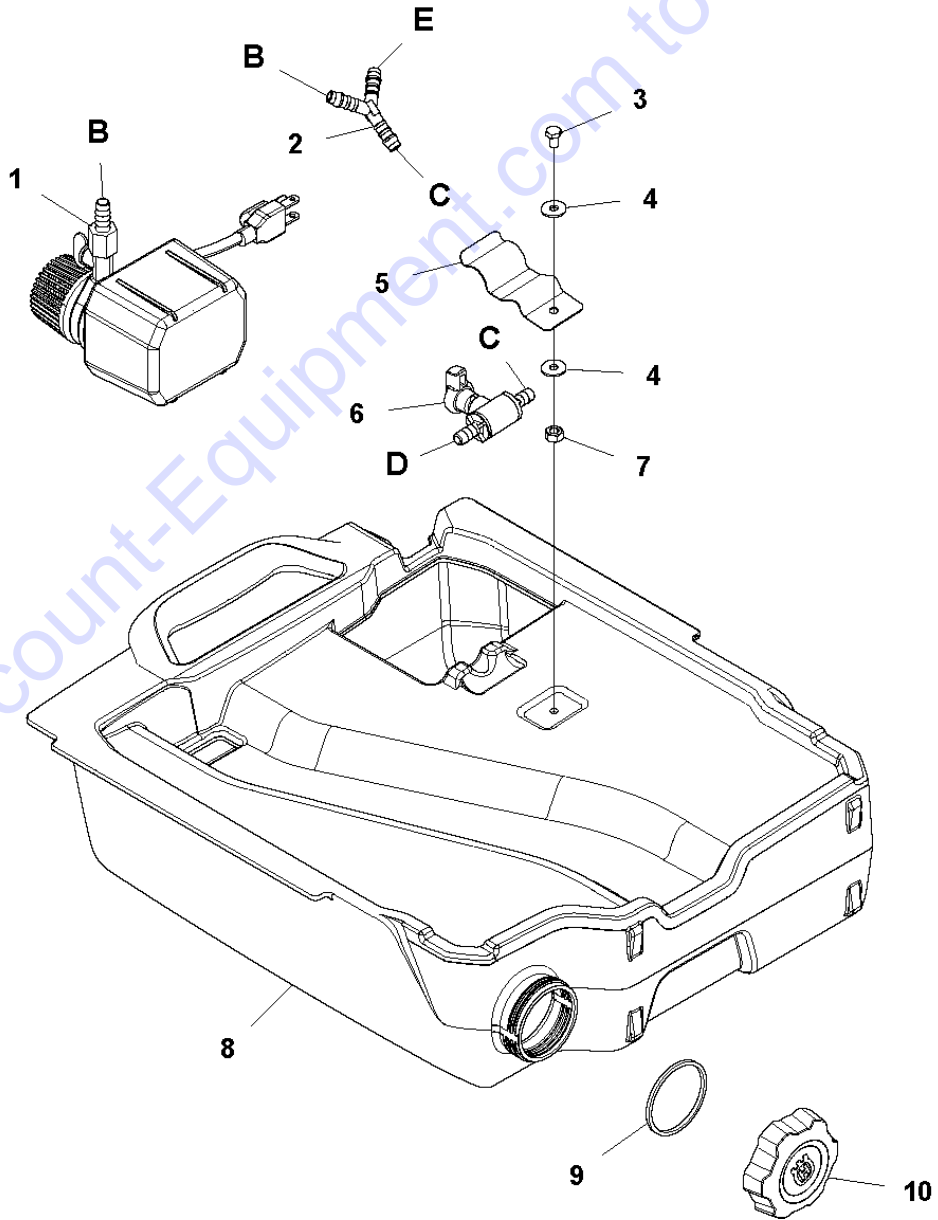
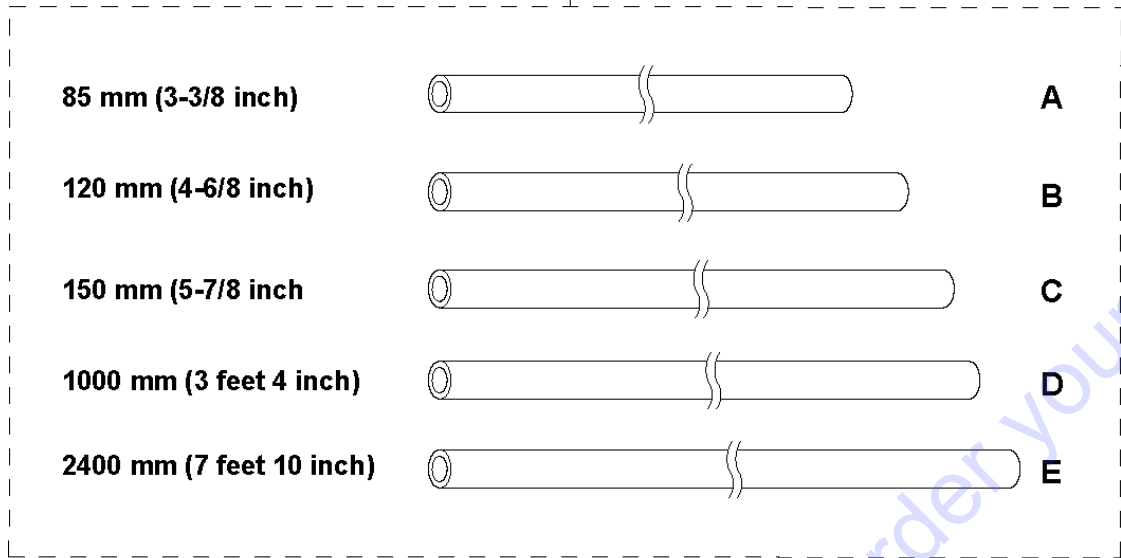
STANDS

TS70, 2015-07

Ref	Part No	Description	Remark	QTY	KIT
1	585 58 16-02	STAND		1	1
2	589 02 20-01	LOCK		1	1
3	725 23 66-71	SCREW EHHM		6	1
4	734 11 52-01	WASHER		6	1
5	725 24 59-71	SCREW		4	
6	581 22 12-01	HANDLE BAR		1	1
7	589 02 21-01	LOCKING LEVER		1	1
8	589 02 27-01	SUPPORT LEG		4	1
9	589 02 22-01	HANDLE KIT		1	1
10	581 22 64-01	HANDLE		2	1,8
11	579 53 20-01	GAS SPRING		2	1
12	532 40 12-73	WHEEL & TIRE ASSY, FRONT		2	1
13	734 11 78-01	WASHER		2	1
14	732 25 22-01	HEXAGON LOCKING NUT		2	1

Go to Discount-Equipment.com to order your parts

11



WATER TANK

TS70, 2015-07

Ref	Part No	Description	Remark	QTY KIT
1	586 66 83-01	PUMP		1
2	585 24 55-01	HOSE CONNECTOR		1
3	725 23 68-71	SCREW EHHM		1
4	734 11 54-41	WASHER		2
5	587 51 17-01	CLIP		1
6	586 69 51-01	VALVE ASSY		1
7	731 23 16-01	HEXAGON NUT		1
8	579 25 40-01	TANK		1
9	581 55 97-01	SEALING		1
10	579 25 61-01	CAP		1
11	585 56 62-02	TUBE		1

Go to Discount-Equipment.com to order your parts

PARTS FINDER

**Search Website
by Part Number**



**Search Manual
Library For Parts
Manual & Lookup Part
Numbers – Purchase
or Request Quote**

Search Manuals

Enter your information to help us find the right parts manual for your machine.

* Brand:

* Model:

* Serial:

* Part Number:

SEARCH

**Can't Find Part or
Manual? Request Help
by Manufacturer,
Model & Description**

Parts Order Form

Please fill in the following information to help us find the right part for your machine.

Manufacturer:	<input type="text"/>
Model:	<input type="text"/>
Description:	<input type="text"/>
Part Number:	<input type="text"/>
Quantity:	<input type="text"/>
Notes:	<input type="text"/>

Discount-Equipment.com is your online resource for quality parts & equipment.

Florida: **561-964-4949** Outside Florida TOLL FREE: **877-690-3101**

Need parts?

Click on this link: <http://www.discount-equipment.com/category/5443-parts/> and choose one of the options to help get the right parts and equipment you are looking for. Please have the machine model and serial number available in order to help us get you the correct parts. If you don't find the part on the website or on one of the online manuals, please fill out the request form and one of our experienced staff members will get back to you with a quote for the right part that your machine needs.

We sell worldwide for the brands: Genie, Terex, JLG, MultiQuip, Mikasa, Essick, Whiteman, Mayco, Toro Stone, Diamond Products, Generac Magnum, Airman, Haulotte, Barreto, Power Blanket, Nifty Lift, Atlas Copco, Chicago Pneumatic, Allmand, Miller Curber, Skyjack, Lull, Skytrak, Tsurumi, Husquvarna Target, Stow, Wacker, Sakai, Mi-T-M, Sullair, Basic, Dynapac, MBW, Weber, Bartell, Bennar Newman, Haulotte, Ditch Runner, Menegotti, Morrison, Contec, Buddy, Crown, Edco, Wyco, Bomag, Laymor, EZ Trench, Bil-Jax, F.S. Curtis, Gehl Pavers, Heli, Honda, ICS/PowerGrit, IHI, Partner, Imer, Clipper, MMD, Koshin, Rice, CH&E, General Equipment, Amida, Coleman, NAC, Gradall, Square Shooter, Kent, Stanley, Tamco, Toku, Hatz, Kohler, Robin, Wisconsin, Northrock, Oztec, Toker TK, Rol-Air, APT, Wylie, Ingersoll Rand / Doosan, Innovatech, Con X, Ammann, Mecalac, Makinex, Smith Surface Prep, Small Line, Wanco, Yanmar