

K970

K970 Rescue

Reservdelar

Spare parts

Ersatzteile

Pieces de rechange

Piezas de repuesto

Ricambi

Peças sobresselente



# PARTS FINDER

**Search Website  
by Part Number**



**Search Manual  
Library For Parts  
Manual & Lookup Part  
Numbers – Purchase  
or Request Quote**

**Search Manuals**

Enter your information to search for a manual or to purchase a manual or parts.

\* Brand:

\* Model:

\* Serial:

\* Part Number:

SEARCH

**Can't Find Part or  
Manual? Request Help  
by Manufacturer,  
Model & Description**

**Parts Order Form**

Please fill in the following information to request help finding a part or manual.

Manufacturer:

Model:

Description:

Quantity:

Part Number:

Part Name:

Part Description:

Part Category:

Part Location:

Part Status:

Part Condition:

Part Material:

Part Color:

Part Weight:

Part Dimensions:

Part Price:

Part Notes:

Submit

Discount-Equipment.com is your online resource for quality parts & equipment.

Florida: **561-964-4949** Outside Florida TOLL FREE: **877-690-3101**

**Need parts?**

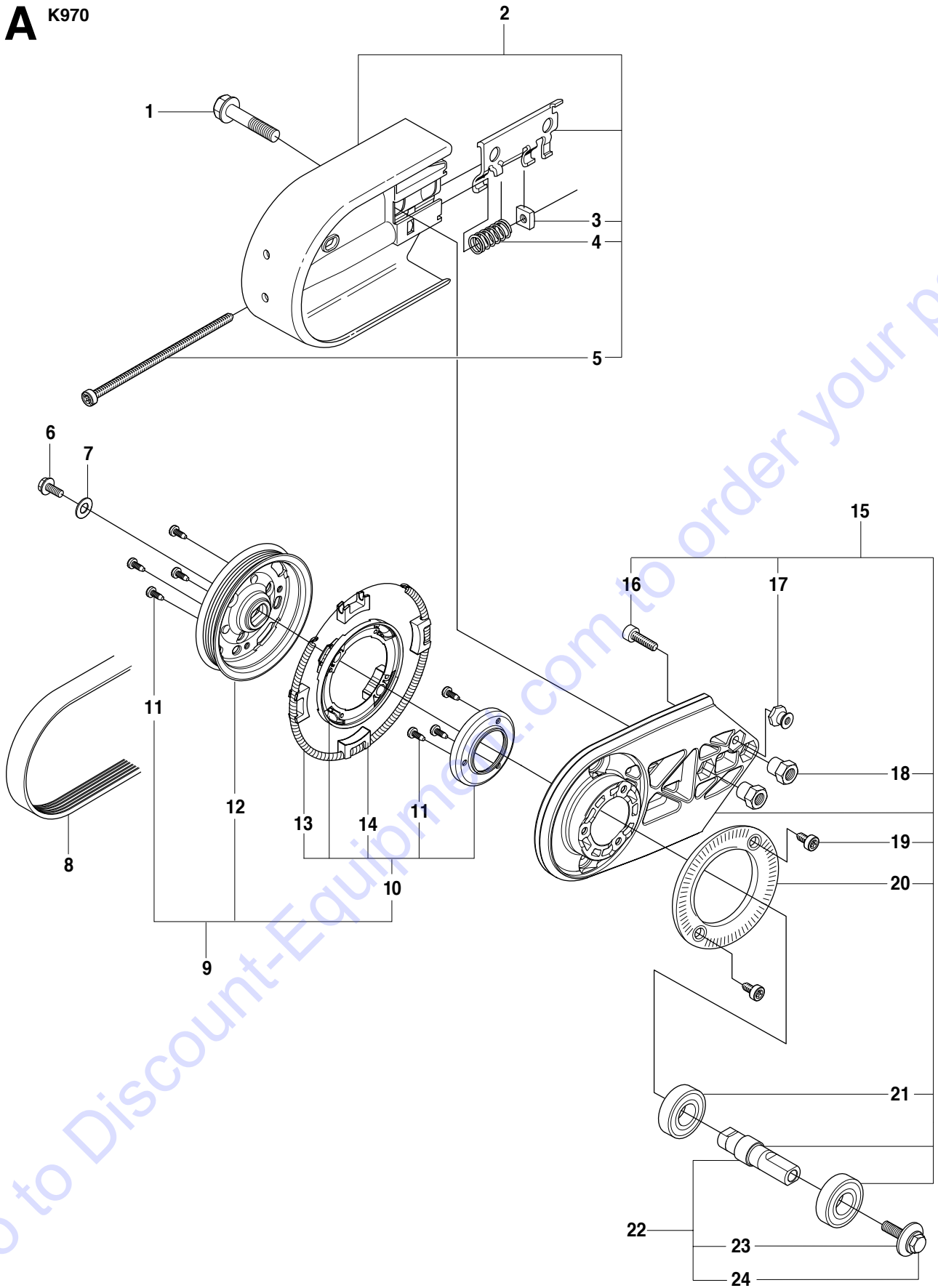
Click on this link: <http://www.discount-equipment.com/category/5443-parts/> and choose one of the options to help get the right parts and equipment you are looking for. Please have the machine model and serial number available in order to help us get you the correct parts. If you don't find the part on the website or on one of the online manuals, please fill out the request form and one of our experienced staff members will get back to you with a quote for the right part that your machine needs.

We sell worldwide for the brands: Genie, Terex, JLG, MultiQuip, Mikasa, Essick, Whiteman, Mayco, Toro Stone, Diamond Products, Generac Magnum, Airman, Haulotte, Barreto, Power Blanket, Nifty Lift, Atlas Copco, Chicago Pneumatic, Allmand, Miller Curber, Skyjack, Lull, Skytrak, Tsurumi, Husquvarna Target, Stow, Wacker, Sakai, Mi-T-M, Sullair, Basic, Dynapac, MBW, Weber, Bartell, Bennar Newman, Haulotte, Ditch Runner, Menegotti, Morrison, Contec, Buddy, Crown, Edco, Wyco, Bomag, Laymor, EZ Trench, Bil-Jax, F.S. Curtis, Gehl Pavers, Heli, Honda, ICS/PowerGrit, IHI, Partner, Imer, Clipper, MMD, Koshin, Rice, CH&E, General Equipment, Amida, Coleman, NAC, Gradall, Square Shooter, Kent, Stanley, Tamco, Toku, Hatz, Kohler, Robin, Wisconsin, Northrock, Oztec, Toker TK, Rol-Air, APT, Wylie, Ingersoll Rand / Doosan, Innovatech, Con X, Ammann, Mecalac, Makinex, Smith Surface Prep, Small Line, Wanco, Yanmar

No.	Pos.	Description	No.	Pos.	Description
501 27 08-01	D	GUIDE BUSHING	505 42 45-02	G	SPRING HOLDER
501 37 56-02	K	FLYWHEEL	505 44 54-03	A	PULLEY
501 48 54-02	K	SPARK PLUG CAP	505 57 41-16	AB	SCREW
501 63 48-01	K	SPRING	506 00 69-01	K	SCREW
501 67 32-03	K	PAWL	506 02 87-01	B	FLANGE WASHER
501 83 98-01	K	CABLE	506 02 88-30	B	BUSHING
501 97 18-01	M	SCREW	506 07 09-01	B	FLANGE WASHER
501 98 10-01	L	SCREW	506 13 95-11	AB	WASHER
501 98 10-20	J	SCREW	506 13 96-01	AB	COLLAR SCREW
502 21 58-01	N	L-SPANNER	506 14 32-01	A	TORSION STOP
502 28 92-02	C	DRIVING PULLEY ASSY	506 23 20-11	M	CHOKE
502 44 58-01	M	GASKET KIT	506 25 14-01	J	GROMMET
502 44 59-01	M	REPAIR KIT	506 25 30-01	J	COMPRESSION SPRING
502 47 16-01	H	GROUND SUPPORT	506 25 59-03	H	TANK CAP ASSY
502 47 18-01	H	THROTTLE CONTROL	506 25 81-02	J	STARTER PULLEY
503 12 79-01	J	STARTER HANDLE	506 25 89-01	J	RECOIL SPRING
503 14 29-02	Q	WASHER	506 26 31-01	J	SPACING SLEEVE
503 14 51-01	C	CLUTCH SPRING	506 26 41-01	H	FUEL FILTER
503 20 00-45	A	SCREW	506 26 41-11	H	FUEL FILTER ASSY
503 20 72-05	A	SCREW	506 26 63-02	BQ	LINING
503 21 07-22	J	SCREW	506 26 64-01	B	RATCHET FLANGE
503 21 28-06	K	SCREW	506 26 65-01	B	FLANGE
503 21 28-10	AHJ	SCREW	506 26 68-01	A	COMPRESSION SPRING
503 21 53-10	A	SCREW	506 27 11-01	H	HOSE CLAMP
503 21 53-12	GQ	SCREW	506 27 25-01	M	WEAR PROTECTION
503 21 53-16	M	SCREW	506 28 41 22	B	LABEL
503 21 53-20	BKQ	SCREW	506 28 41-02	B	LABEL
503 21 53-21	C	SCREW	506 28 41-04	B	LABEL
503 21 53-25	E	SCREW	506 28 41-12	B	LABEL
503 21 53-26	L	SCREW	506 28 41-14	B	LABEL
503 21 53-30	LM	SCREW	506 28 41-24	B	LABEL
503 21 53-49	D	SCREW	506 28 44-01	A	COLLAR SCREW
503 21 53-56	L	SCREW	506 28 73-01	A	NUT
503 21 54-20	GP	SCREW	506 28 84-01	A	SCREEN PATTERN FLANG
503 21 54-45	G	SCREW	506 29 21-01	H	GASKET
503 22 10-11	K	NUT	506 29 57-02	P	NIPPLE
503 22 65-04	Q	NUT	506 29 75-02	Q	STARTER HANDLE
503 23 00-42	K	WASHER STEEL	506 29 76-01	Q	SHOULDER STRAP
503 23 01-01	K	WASHER STEEL	506 29 83-65	A	SHAFT ASSY
503 23 01-16	A	WASHER STEEL	506 29 88-01	P	FILTER
503 23 04-02	E	WASHER	506 30 23-02	Q	LABEL
503 23 51-09	K	SPARK PLUG	506 30 25-06	Q	BRACKET
503 25 00-02	DF	BALL BEARING	506 30 97-05	A	LABEL
503 25 21-01	AEF	BALL BEARING	506 31 24-01	P	VALVE SPINDLE
503 26 02-04	DN	SEALING RING	506 31 30-01	H	LABLE
503 26 02-05	E	SEALING RING	506 31 69-01	C	DUST COVER
503 26 60-03	GP	COUPLER	506 31 86-02	K	STOP SWITCH
503 26 60-04	GP	COUPLER	506 32 20-02	Q	LABEL
503 28 90-35	E	PISTON RING	506 32 22-02	Q	LABEL
503 57 89-01	H	HOLDER ASSY	506 32 48-01	B	SUPPORT FLANGE
503 66 56-01	E	DECOMPRESSION VALVE	506 33 56-15	J	STARTER CORD
503 70 15-01	C	CLUTCH ASSY	506 33 56-50	J	STARTER CORD
503 73 58-01	H	BUSHING	506 34 05-42	B	WHEEL GUARD ASSY
504 03 70-07	A	PULLEY	506 34 05-44	B	WHEEL GUARD ASSY
504 06 22-01	A	PULLEY	506 34 05-46	B	WHEEL GUARD ASSY
504 63 42-01	P	NIPPLE	506 34 05-52	Q	WHEEL GUARD ASSY
504 63 44-01	P	HOUSING	506 34 05-54	Q	WHEEL GUARD ASSY
504 63 45-01	P	HOUSING	506 34 46-02	BQ	HANDLE
504 63 46-01	P	SCREW	506 35 27-01	P	PROTECTIVE SPRING
505 09 54-01	P	HOSE KIT	506 37 28-01	E	MUFFLER
505 09 55-01	P	HOSE KIT	506 37 81-01	DEN	GASKET MUFFLER
505 09 55-01	G	HOSE KIT	506 37 96-20	B	BUSHING
505 10 35-01	P	O-RING	506 37 96-22	B	BUSHING
505 14 84-01	M	LEVER	506 37 96-25	B	BUSHING
505 25 96-03	E	MUFFLER MOUNT KIT	506 38 26-01	N	COMBINATION TOOL
505 26 89-01	G	HANDLE	506 38 60-12	P	VALVE ASSY
505 27 75-16	K	INSULATING CAP	506 38 78-34	K	IGNITION CABLE
505 28 33-06	M	HOSE CLAMP	506 39 36-02	A	BELT GUARD
505 34 94-01	J	STARTER COVER	506 39 42-08	A	BEARING HOUSING
505 34 95-01	L	FILTER COVER	506 40 93-01	A	NUT

No.	Pos.	Description	No.	Pos.	Description
506 41 32-02	E	PISTON	576 42 69-01	L	CYLINDER COVER ASSY
506 41 39-04	DEN	GASKET	576 49 04-01	HM	THROTTLE CABLE ASSY
506 41 41-01	M	INLET PIPE	576 49 94-01	DEN	GASKET
506 41 42-01	M	PLATE	720 12 40-20	H	PARALLEL PIN
506 41 44-01	F	CUP	734 11 47-41	G	WASHER
506 49 87-01	P	HOSE CLAMP	737 44 13-00	E	CIRCLIP
506 49 87-02	P	HOSE CLAMP	740 43 13-00	J	O-RING
506 60 68-06	P	HOSE	740 48 20-03	L	O-RING
506 60 75-01	P	HOSE			
510 11 56-01	K	IGNITION MODULE			
510 21 34-01	C	BELT GUARD			
510 24 39-01	M	FILTER CONNECTION			
510 24 41-01	L	AIR FILTER			
510 25 52-01	H	THROTTLE LOCKNUT			
521 92 67-01	M	INLET PIPE			
522 79 96-01	H	HOLDER ASSY			
522 85 61-01	D	RUBBER BUSHING			
522 85 62-01	M	FLANGE INLET PIPE			
522 94 20-01	M	CARBURETTOR			
525 57 11-01	J	DECAL			
525 57 16-01	L	LABEL			
525 57 16-02	L	LABEL			
525 57 17-01	L	AIR NOZZLE			
525 57 20-01	H	DECAL START INSTRUCTION			
525 61 70-04	L	SEALING			
525 76 35-01	L	LABEL			
525 81 81-03	L	LABEL			
525 81 81-04	L	LABEL			
525 83 18-01	C	BALL BEARING			
537 04 24-04	H	FUEL HOSE			
537 20 56-01	H	COVER			
537 20 85-01	H	CABLE LEVER			
537 20 98-01	H	SPRING			
537 21 03-05	H	ANTIVIBRATION ELEMENT			
537 21 03-09	H	ANTIVIBRATION ELEMENT			
537 21 03-10	H	ANTIVIBRATION ELEMENT			
537 35 95-01	H	TANK VENT ASSY			
540 05 49-02	H	AIR PURGE			
544 06 12-01	GH	SCREW			
544 11 39-01	M	CONSOLE			
544 15 01-01	M	FLANGE			
544 21 52-01	E	HEAT DEFLECTOR			
544 21 84-01	E	SCREW			
544 22 98-03	DEN	GASKET KIT			
544 23 26-01	M	CHISEL GUIDE			
544 28 75-02	J	COOLING AIR CONDUCTOR			
544 32 49-30	H	FUEL HOSE			
544 32 50-02	H	FUEL HOSE			
544 36 64-01	C	LINING			
544 44 04-02	A	BRAKE SHOE			
544 44 10-01	A	DRAW SPRING			
544 81 16-01	G	BASE GROUND SUPPORT			
544 89 06-01	Q	LABEL			
544 89 06-03	Q	LABEL			
544 89 15-01	G	GROUND SUPPORT ASSY			
544 90 84-03	A	BELT			
544 90 84-04	A	BELT			
544 93 31-01	C	LABEL			
544 93 56-03	E	CYLINDER ASSY			
574 26 73-01	C	DRIVING PULLEY ASSY			
574 26 76-01	F	CRANKSHAFT ASSY			
574 44 42-01	H	CLIPS			
574 50 58-04	H	FUEL TANK ASSY			
574 50 73-03	J	STARTER ASSY			
575 52 65-01	H	CHECK VALVE			
576 12 09-01	L	LABEL			
576 12 10-02	B	LABEL			
576 12 10-03	B	LABEL			
576 41 28-01	D	CRANKCASE ASSY			
576 41 28-02	R	LONG BLOCK			

**A** K970



★Vベルトの張り直し  
Vベルトカバー上の2個のナットを締め、V  
ベルトカバー上の「矢印」位置に四角ナットを  
セットします。再び2個のナットを締め付けます。

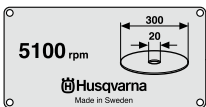
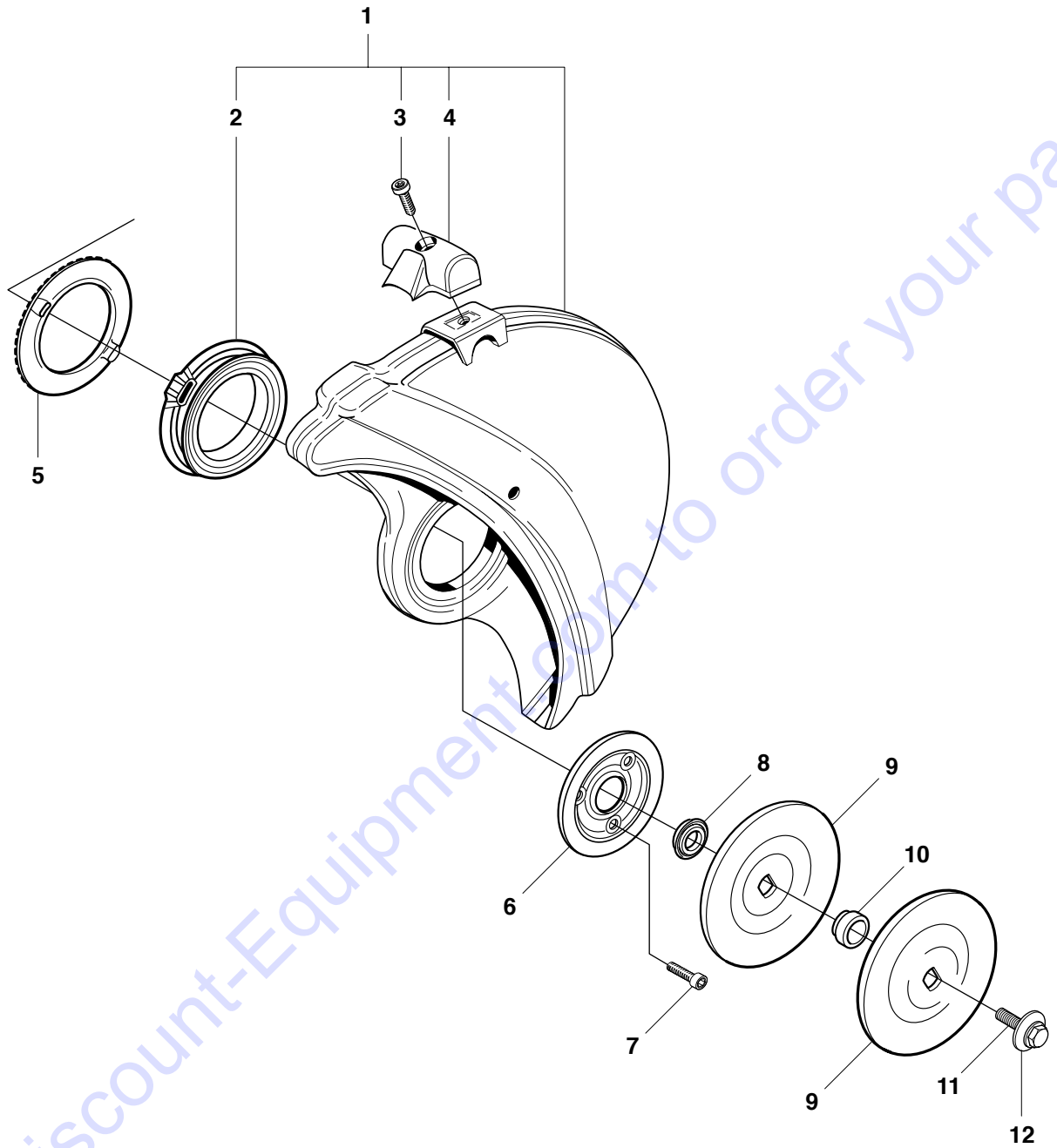


25

**Page A**  
**K970**

Pos.	Part No.	Description	Quantity	Notes	New Part
1	506 28 44-01	COLLAR SCREW	2		
2	506 39 36-02	BELT GUARD	1	Incl. 3 - 5	
3	506 40 93-01	NUT	1		
4	506 26 68-01	COMPRESSION SPRING	1		
5	503 20 72-05	SCREW	1		
6	503 20 00-45	SCREW	1		
7	503 23 01-16	WASHER STEEL	1		
8	544 90 84-03	BELT	1	12", 14"	
8	544 90 84-04	BELT	1	16"	
9	504 03 70-07	PULLEY	1	Incl. 10 - 12	
10	505 44 54-03	PULLEY	1	Incl. 11, 13 - 14	
11	503 21 28-10	SCREW	7		
12	504 06 22-01	PULLEY	1		
13	544 44 10-01	DRAW SPRING	1		
14	544 44 04-02	BRAKE SHOE	4		
15	506 39 42-08	BEARING HOUSING	1	Incl. 16 - 21	
16	505 57 41-16	SCREW	1		
17	506 14 32-01	TORSION STOP	1		
18	506 28 73-01	NUT	2		
19	503 21 53-10	SCREW	2		
20	506 28 84-01	SCREEN PATTERN FLANG	1		
21	503 25 21-01	BALL BEARING	2		
22	506 29 83-65	SHAFT ASSY	1	Incl. 23 - 24	
23	506 13 95-11	WASHER	1		
24	506 13 96-01	COLLAR SCREW	1		
25	506 30 97-05	LABEL	1	Japan	

Go to Discount-Equipment.com to order your parts



13

**△ 取扱上のご注意 △**

パートナーカッターは、取扱いを誤ると危険を及ぼすことがあります。安全作業のために取扱説明書に従って下さい。

- このパートナーカッターは、全ての使用に際し、メンテナンスが、安全装置の作動、長寿命、確実な作業に繋がります。
- 使用前に必ず、取扱説明書に記載されている取扱方法を必ず読んで下さい。
- 取扱説明書、取扱要領を必ず読んで下さい。
- パートナーカッターの各部を必ず正確に調整を必ず行って下さい。
- 取扱説明書、取扱要領に記載されている事項を必ず読んで下さい。
- 取扱説明書の注意事項に従って必ず読んで下さい。

14

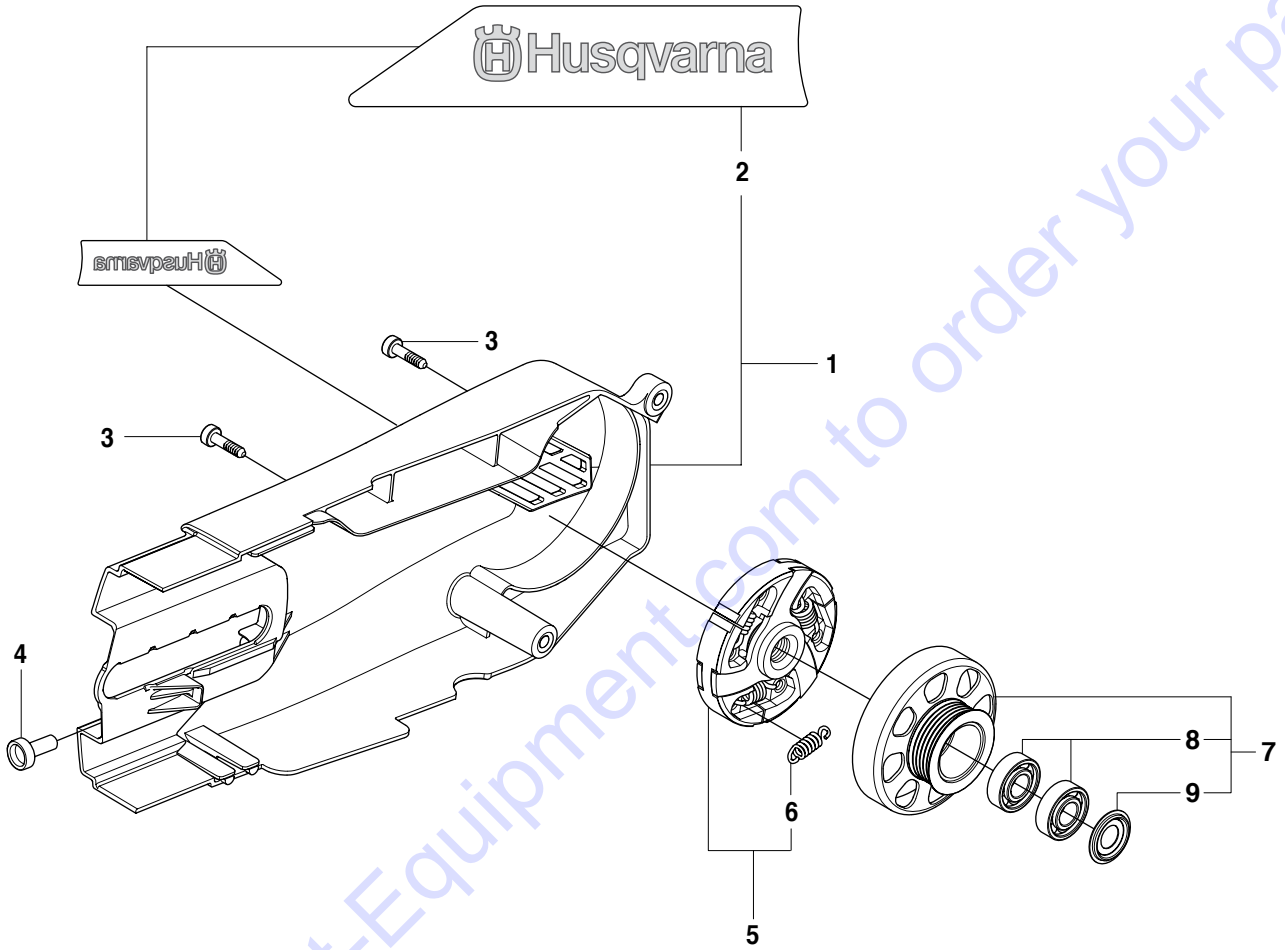
Go to Discount-Equipment.com to order your parts

**Page B**  
**K970**

Pos.	Part No.	Description	Quantity	Notes	New Part
1	506 34 05-42	WHEEL GUARD ASSY	1	12". Incl. 2 - 4	
1	506 34 05-44	WHEEL GUARD ASSY	1	14". Incl. 2 - 4	
1	506 34 05-46	WHEEL GUARD ASSY	1	16". Incl. 2 - 4	
2	506 26 63-02	LINING	1		
3	503 21 53-20	SCREW	1		
4	506 34 46-02	HANDLE	1		
5	506 26 64-01	RATCHET FLANGE	1		
6	506 26 65-01	FLANGE	1		
7	505 57 41-16	SCREW	3		
8	506 32 48-01	SUPPORT FLANGE	1		
9	506 02 87-01	FLANGE WASHER	1	Diam 105	
9	506 07 09-01	FLANGE WASHER	1	Diam 119	
10	506 37 96-20	BUSHING	1	Diam 20	
10	506 37 96-22	BUSHING	1	Diam 22,2	
10	506 37 96-25	BUSHING	1	Diam 25	
10	506 02 88-30	BUSHING	1	Diam 30,5	
11	506 13 96-01	COLLAR SCREW	1		
12	506 13 95-11	WASHER	1		
13	506 28 41-02	LABEL	1	12". Diam 20 mm	
13	506 28 41-04	LABEL	1	12". Diam 1"	
13	506 28 41-12	LABEL	1	14". Diam 20 mm	
13	506 28 41-14	LABEL	1	14". Diam 1"	
13	506 28 41 22	LABEL	1	16". Diam 20 mm	
13	506 28 41-24	LABEL	1	16". Diam 1"	
14	576 12 10-02	LABEL	1	Japan 14"	
14	576 12 10-03	LABEL	1	Japan 16"	

Go to Discount-Equipment.com to order your parts



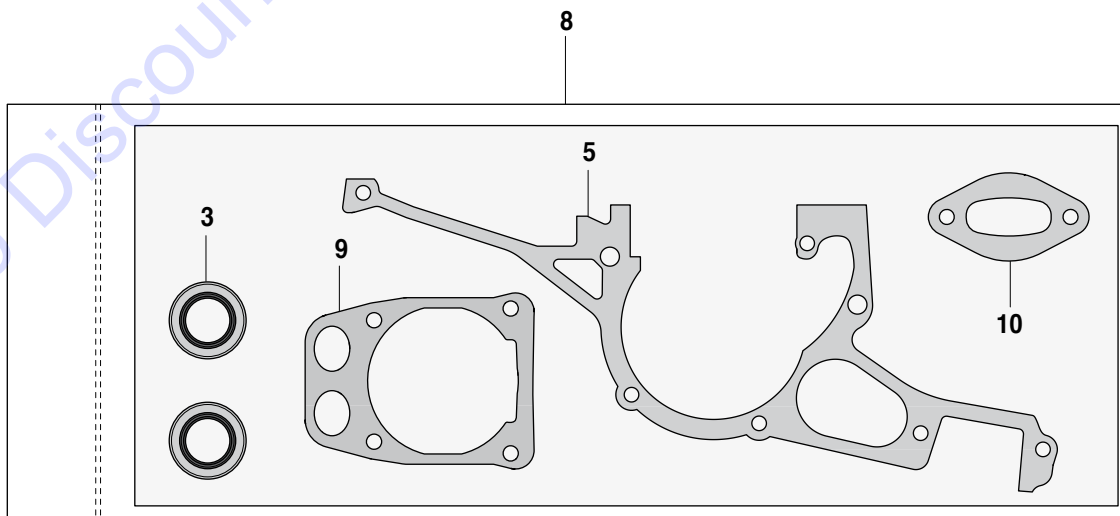
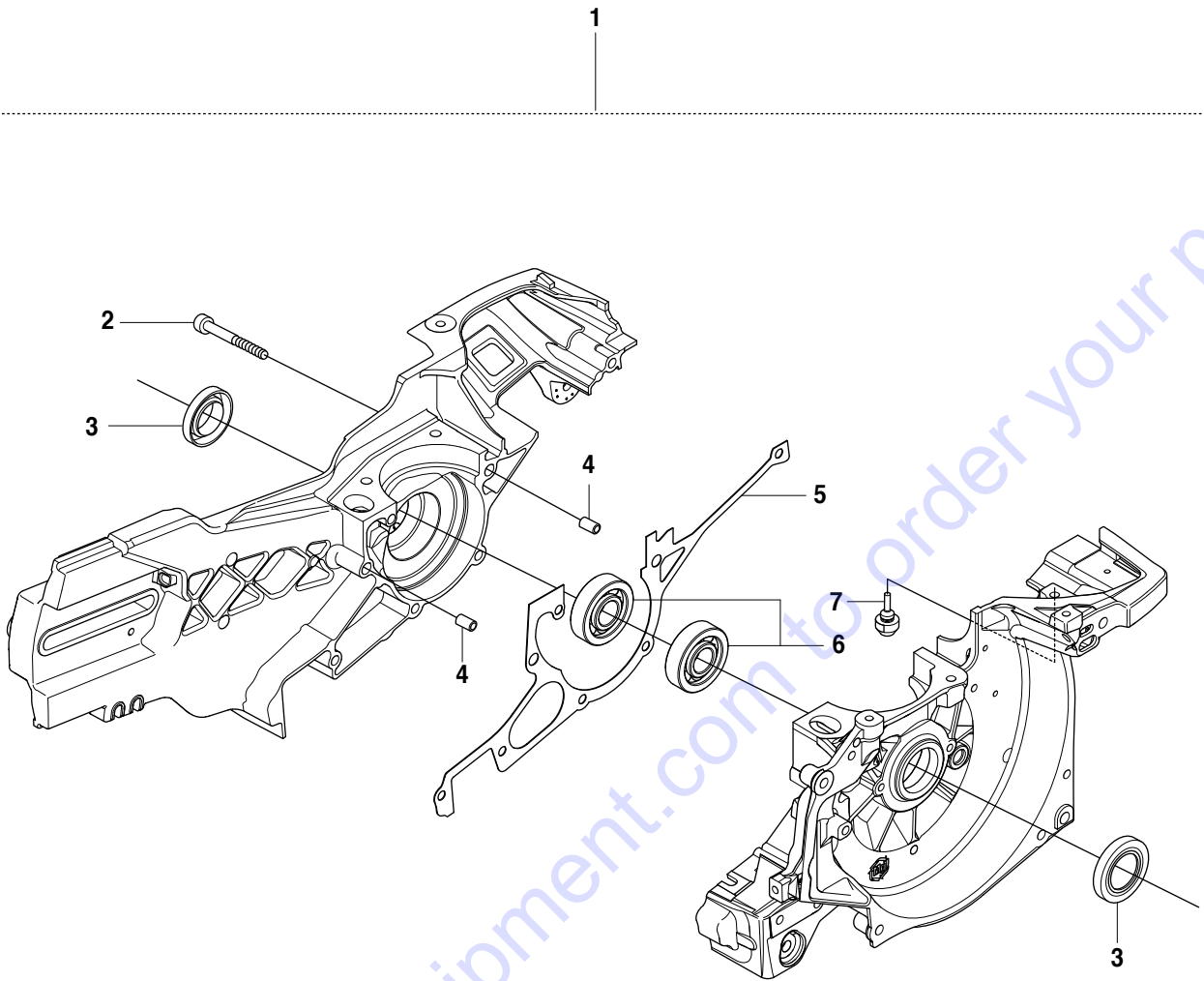


Go to Discount-Equipment.com to order your parts

**Page C**  
**K970**

Pos.	Part No.	Description	Quantity	Notes	New Part
1	510 21 34-01	BELT GUARD	1	Incl. 2	
2	544 93 31-01	LABEL	1		
3	503 21 53-21	SCREW	2		
4	544 36 64-01	LINING	1		
5	503 70 15-01	CLUTCH ASSY	1	Incl. 6	
6	503 14 51-01	CLUTCH SPRING	3		
7	502 28 92-02	DRIVING PULLEY ASSY	1	12", 14". Incl. 8 - 9	
7	574 26 73-01	DRIVING PULLEY ASSY	1	16". Incl. 8 - 9	
8	525 83 18-01	BALL BEARING	2		
9	506 31 69-01	DUST COVER	1		

Go to [Discount-Equipment.com](http://Discount-Equipment.com) to order your parts

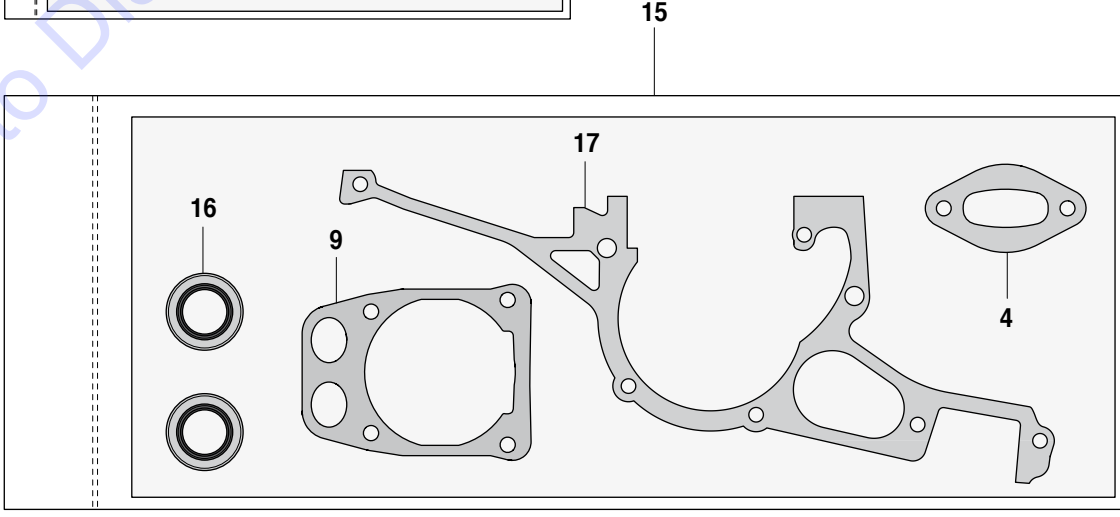
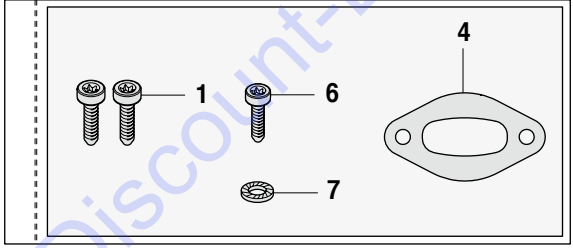
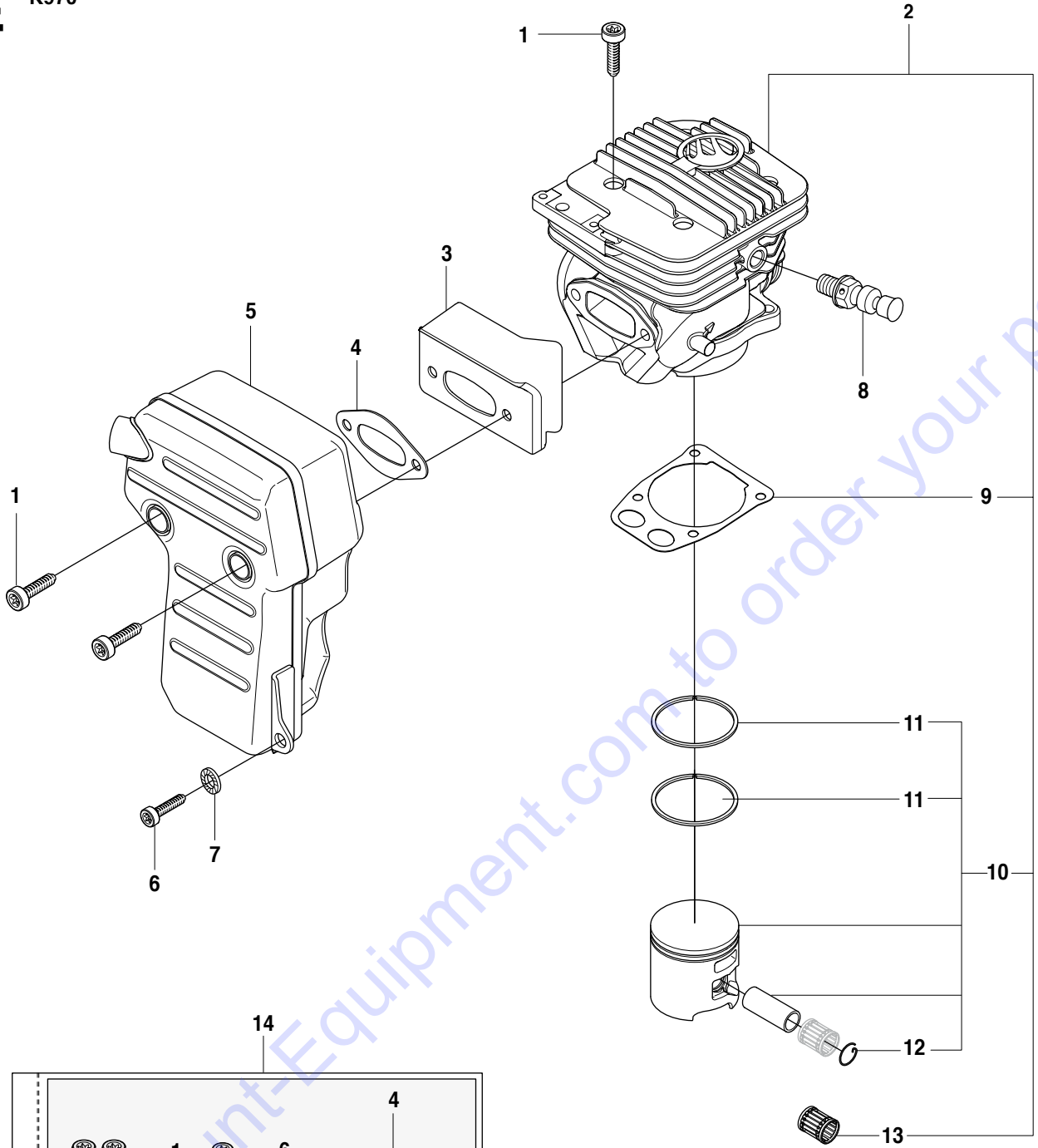


**Page D**  
**K970**

<b>Pos.</b>	<b>Part No.</b>	<b>Description</b>	<b>Quantity</b>	<b>Notes</b>	<b>New Part</b>
1	576 41 28-01	CRANKCASE ASSY	1	Incl. 2 - 8	
2	503 21 53-49	SCREW	7		
3	503 26 02-04	SEALING RING	2		
4	501 27 08-01	GUIDE BUSHING	2		
5	506 41 39-04	GASKET	1		
6	503 25 00-02	BALL BEARING	2		
7	522 85 61-01	RUBBER BUSHING	1		
8	544 22 98-03	GASKET KIT	1	Incl. 3, 5, 9, 10	
9	576 49 94-01	GASKET	1		
10	506 37 81-01	GASKET MUFFLER	1		

Go to [Discount-Equipment.com](http://Discount-Equipment.com) to order your parts

**E** K970

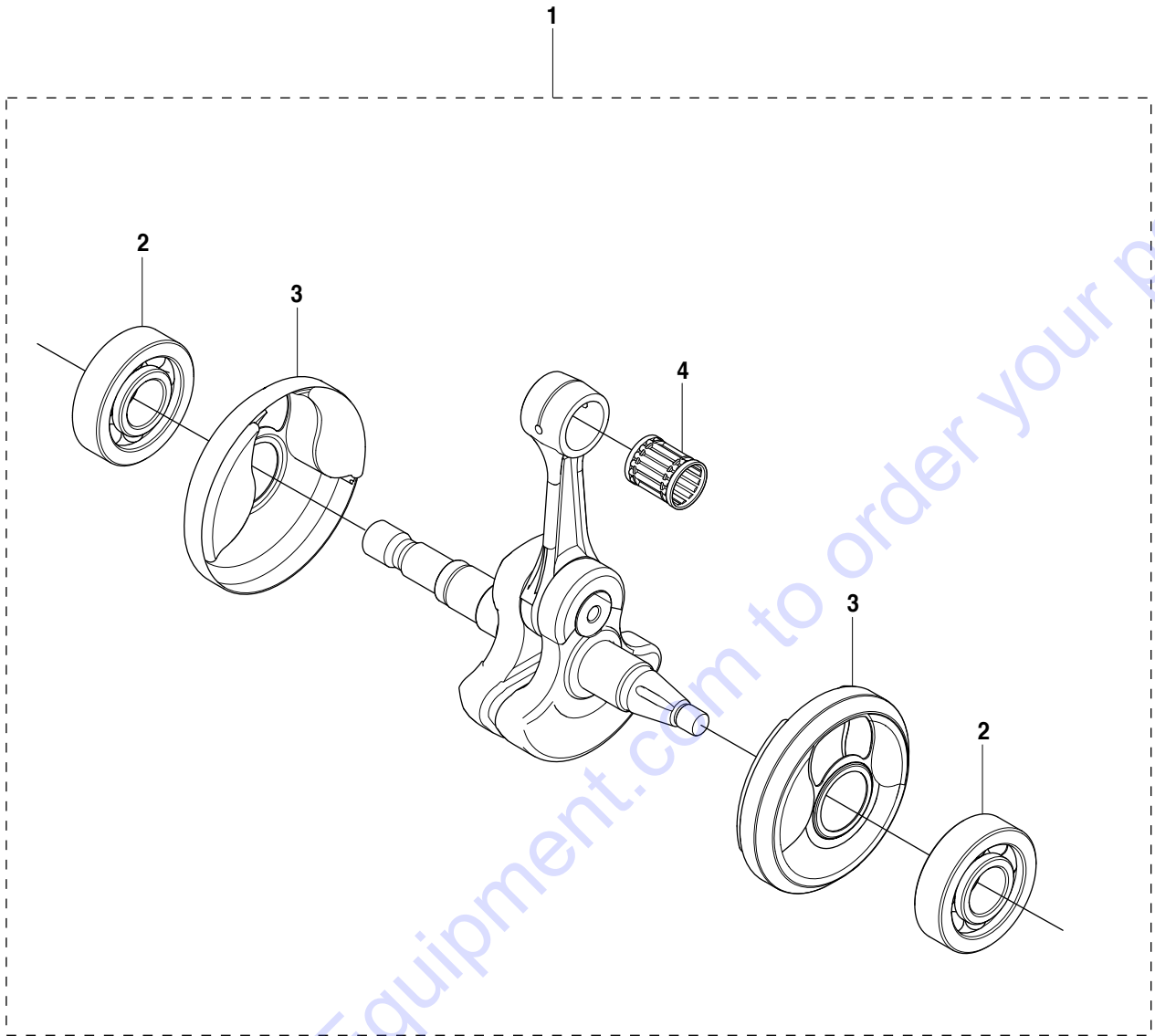


Go to [Discount-Equipment.com](http://Discount-Equipment.com) to order your parts

**Page E**  
**K970**

Pos.	Part No.	Description	Quantity	Notes	New Part
1	544 21 84-01	SCREW	6		
2	544 93 56-03	CYLINDER ASSY	1	Incl. 9 - 10, 13	
3	544 21 52-01	HEAT DEFLECTOR	1		
4	506 37 81-01	GASKET MUFFLER	1		
5	506 37 28-01	MUFFLER	1		
6	503 21 53-25	SCREW	1		
7	503 23 04-02	WASHER	1		
8	503 66 56-01	DECOMPRESSION VALVE	1		
9	576 49 94-01	GASKET	1		
10	506 41 32-02	PISTON	1	Incl. 11 - 12	
11	503 28 90-35	PISTON RING	2		
12	737 44 13-00	CIRCLIP	2		
13	503 25 61-01	NEEDLE BEARING	1		
14	505 25 96-03	MUFFLER MOUNT KIT	1	Incl. 1, 4, 6 - 7	
15	544 22 98-03	GASKET KIT	1	Incl. 4, 9, 16 - 17	
16	503 26 02-05	SEALING RING	2		
17	506 41 39-04	GASKET	1		

Go to Discount-Equipment.com to order your parts



Go to [Discount-Equipment.com](http://Discount-Equipment.com) to order your parts

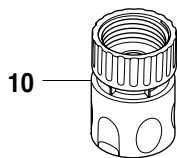
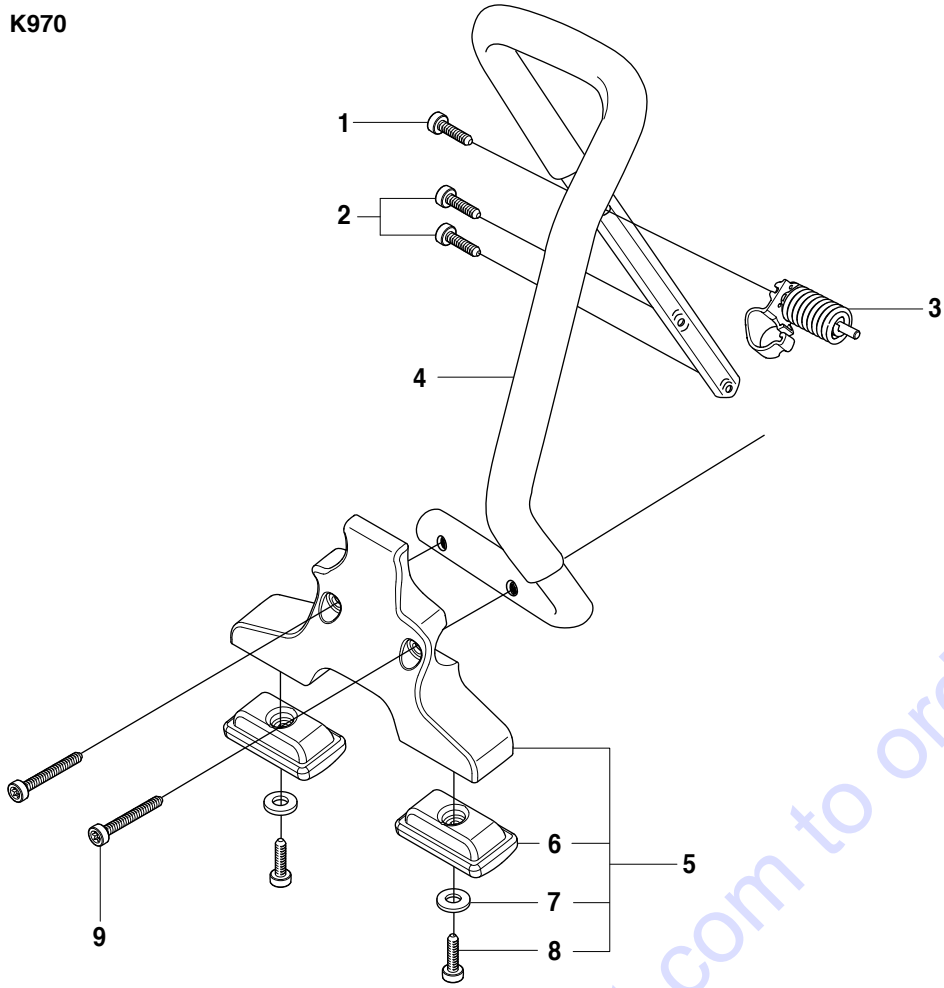
Page F  
K970

Pos.	Part No.	Description	Quantity	Notes	New Part
1	574 26 76-01	CRANKSHAFT ASSY	1	Incl. 2 - 4	
2	503 25 00-02	BALL BEARING	2		
3	506 41 44-01	CUP	2		
4	503 25 61-01	NEEDLE BEARING	1		

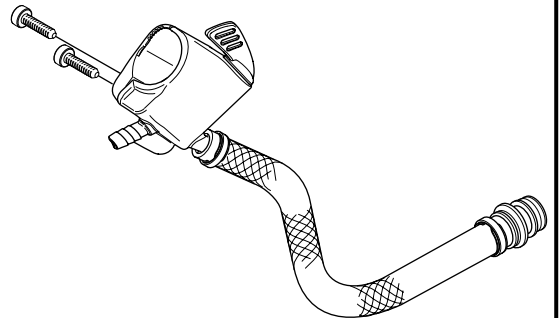
Go to [Discount-Equipment.com](http://Discount-Equipment.com) to order your parts



**G** K970



11



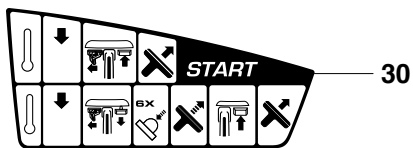
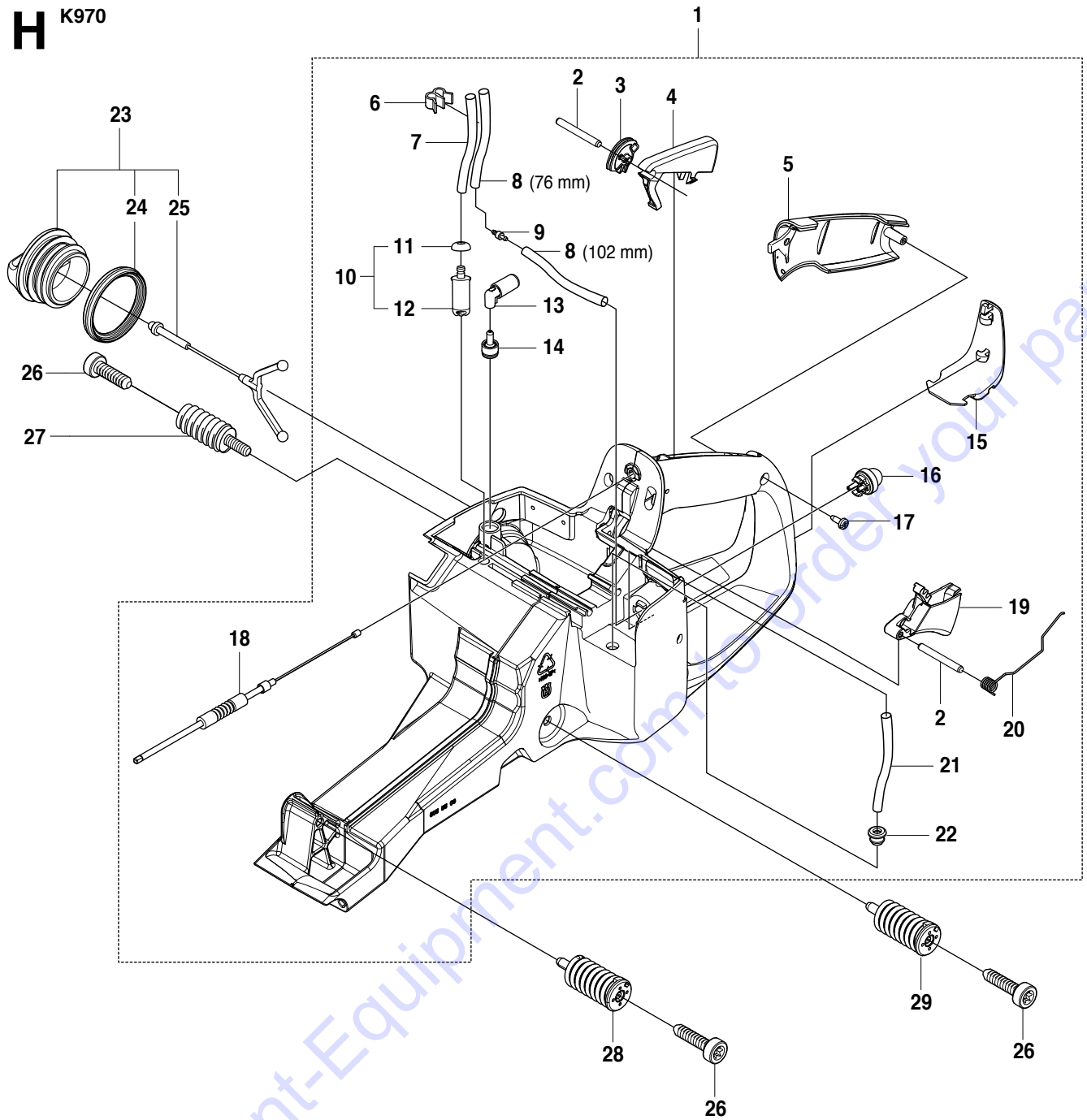
Go to Discount-Equipment.com to order your parts

**Page G**  
**K970**

Pos.	Part No.	Description	Quantity	Notes	New Part
1	544 06 12-01	SCREW	1		
2	503 21 54-20	SCREW	2		
3	505 42 45-02	SPRING HOLDER	1		
4	505 26 89-01	HANDLE	1		
5	544 89 15-01	GROUND SUPPORT ASSY	1	Incl. 6 - 8	
6	544 81 16-01	BASE GROUND SUPPORT	2		
7	734 11 47-41	WASHER	2		
8	503 21 53-12	SCREW	2		
9	503 21 54-45	SCREW	2		
10	503 26 60-03	COUPLER	1	USA, Canada	
10	503 26 60-04	COUPLER	1		
11	505 09 55-01	HOSE KIT	1		

Go to Discount-Equipment.com to order your parts

H K970



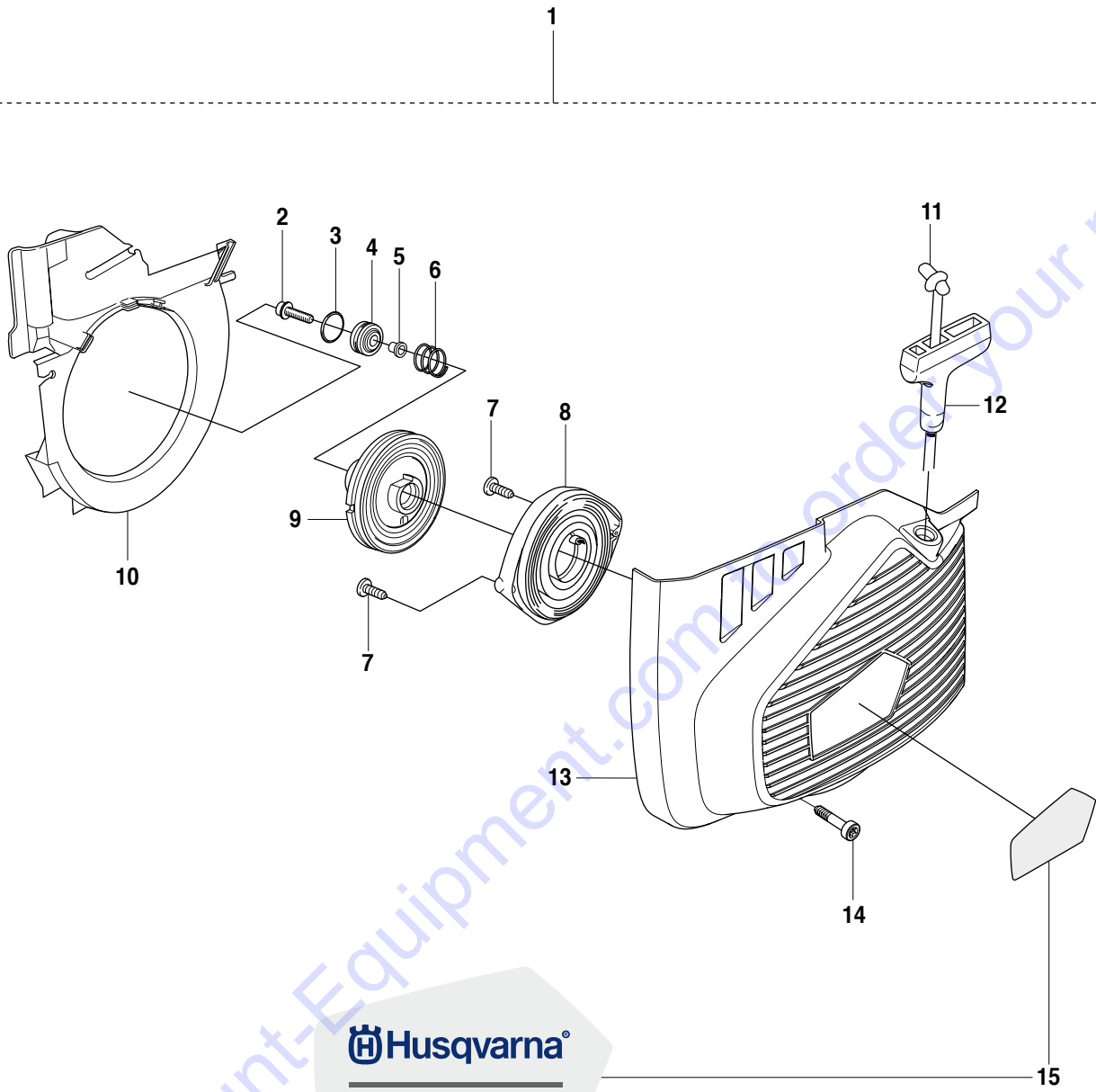
燃料は

ガソリン 25 : 1 2サイクル専用オイル

31

**Page H**  
**K970**

Pos.	Part No.	Description	Quantity	Notes	New Part
1	574 50 58-04	FUEL TANK ASSY	1	Incl. 2 - 21	
2	720 12 40-20	PARALLEL PIN	2		
3	537 20 85-01	CABLE LEVER	1		
4	510 25 52-01	THROTTLE LOCKNUT	1		
5	537 20 56-01	COVER	1		
6	574 44 42-01	CLIPS	1		
7	544 32 50-02	FUEL HOSE	1	300 mm	
8	537 04 24-04	FUEL HOSE	1	190 mm	
9	575 52 65-01	CHECK VALVE	1		
10	506 26 41-11	FUEL FILTER ASSY	1	Incl. 11 - 12	
11	506 27 11-01	HOSE CLAMP	1		
12	506 26 41-01	FUEL FILTER	1		
13	522 79 96-01	HOLDER ASSY	1		
14	537 35 95-01	TANK VENT ASSY	1		
15	502 47 16-01	GROUND SUPPORT	1		
16	540 05 49-02	AIR PURGE	1		
17	503 21 28-10	SCREW	1		
18	576 49 04-01	THROTTLE CABLE ASSY	1		
19	502 47 18-01	THROTTLE CONTROL	1		
20	537 20 98-01	SPRING	1		
21	544 32 49-30	FUEL HOSE	1	70 mm	
22	503 73 58-01	BUSHING	1		
23	506 25 59-03	TANK CAP ASSY	1	Incl. 24 - 25	
24	506 29 21-01	GASKET	1		
25	503 57 89-01	HOLDER ASSY	1		
26	544 06 12-01	SCREW	3		
27	537 21 03-09	ANTIVIBRATION ELEMENT	1		
28	537 21 03-10	ANTIVIBRATION ELEMENT	1		
29	537 21 03-05	ANTIVIBRATION ELEMENT	1		
30	525 57 20-01	DECAL START INSTRUCTION	1		
31	506 31 30-01	LABLE	1		



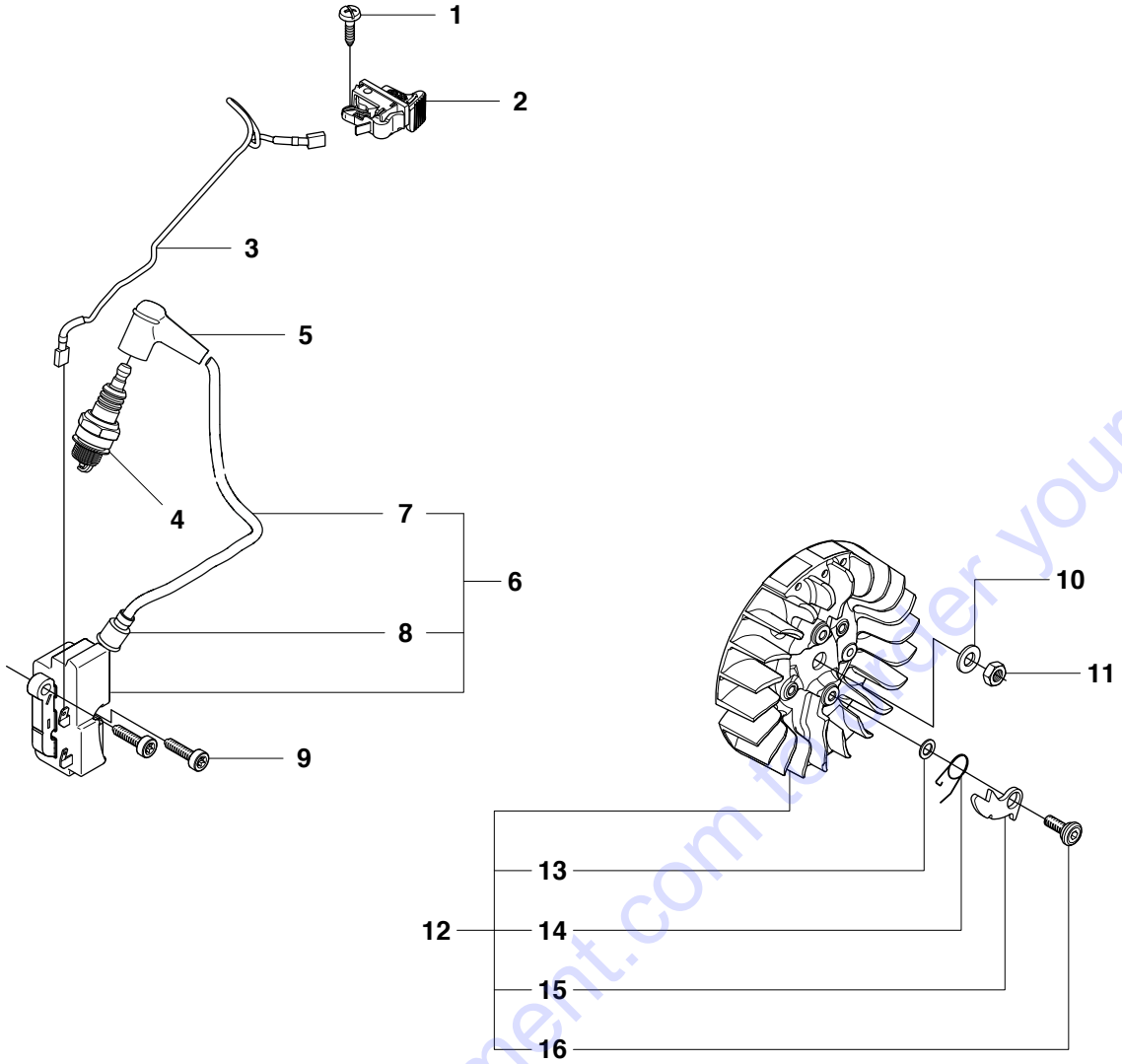
Go to Discount-Equipment.com to order your parts

**Page J**  
**K970**

Pos.	Part No.	Description	Quantity	Notes	New Part
1	574 50 73-03	STARTER ASSY	1	Incl. 2 - 15	
2	503 21 07-22	SCREW	1		
3	740 43 13-00	O-RING	1		
4	506 25 14-01	GROMMET	1		
5	506 26 31-01	SPACING SLEEVE	1		
6	506 25 30-01	COMPRESSION SPRING	1		
7	503 21 28-10	SCREW	2		
8	506 25 89-01	RECOIL SPRING	1		
9	506 25 81-02	STARTER PULLEY	1		
10	544 28 75-02	COOLING AIR CONDUCTOR	1		
11	506 33 56-15	STARTER CORD	1		
11	506 33 56-50	STARTER CORD	1	50 m Coil	
12	503 12 79-01	STARTER HANDLE	1		
13	505 34 94-01	STARTER COVER	1		
14	501 98 10-20	SCREW	4		
15	525 57 11-01	DECAL	1		

Go to Discount-Equipment.com to order your parts

**K** K970



Go to Discount-Equipment.com to order your parts

**Page K**  
**K970**

Pos.	Part No.	Description	Quantity	Notes	New Part
1	503 21 28-06	SCREW	1		
2	506 31 86-02	STOP SWITCH	1		
3	501 83 98-01	CABLE	1		
4	503 23 51-09	SPARK PLUG	1	RCJ 6Y	
5	501 48 54-02	SPARK PLUG CAP	1		
6	510 11 56-01	IGNITION MODULE	1	Incl. 7 - 8	
7	506 38 78-34	IGNITION CABLE	1		
8	505 27 75-16	INSULATING CAP	1		
9	503 21 53-20	SCREW	2		
10	503 23 01-01	WASHER STEEL	1		
11	503 22 10-11	NUT	1		
12	501 37 56-02	FLYWHEEL	1	Incl. 13 - 16	
13	503 23 00-42	WASHER STEEL	2		
14	501 63 48-01	SPRING	2		
15	501 67 32-03	PAWL	2		
16	506 00 69-01	SCREW	2		

Go to Discount-Equipment.com to order your parts

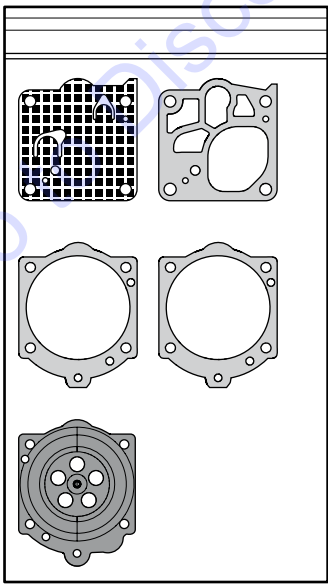
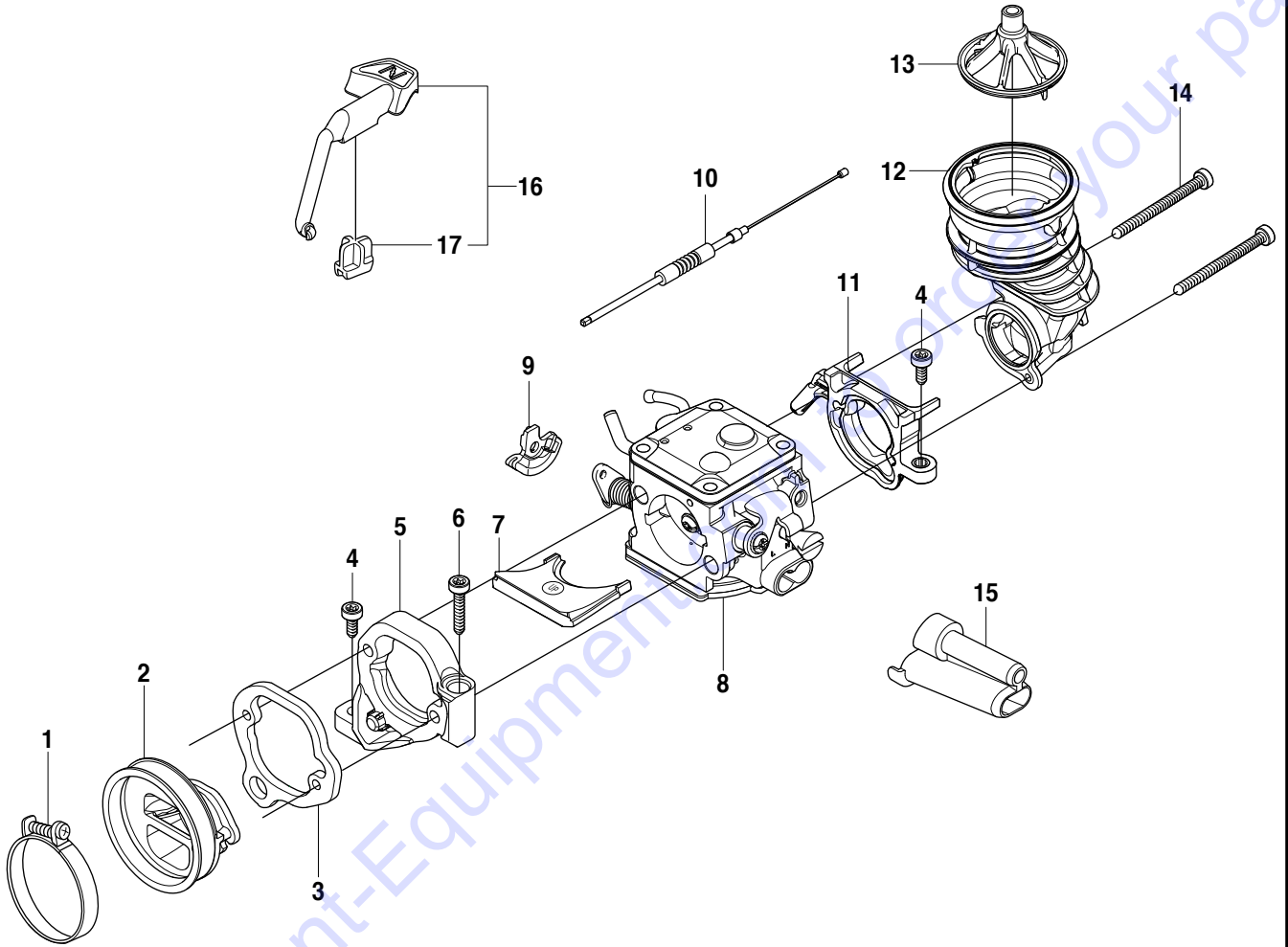




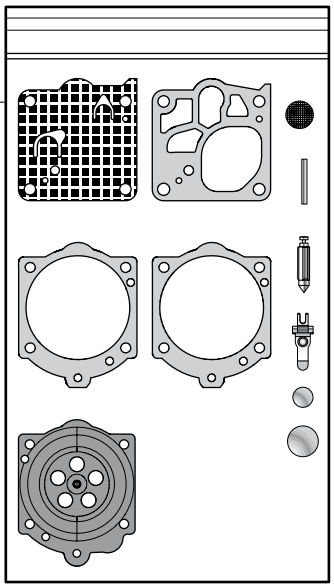
**Page L**  
**K970**

Pos.	Part No.	Description	Quantity	Notes	New Part
1	503 21 53-56	SCREW	2		
2	503 21 53-26	SCREW	2		
3	525 81 81-03	LABEL	1	USA	
3	525 81 81-04	LABEL	1	Canada, CE	
3	576 12 09-01	LABEL	1	Japan	
4	505 34 95-01	FILTER COVER	1		
5	510 24 41-01	AIR FILTER	1		
6	576 42 69-01	CYLINDER COVER ASSY	1	Incl. 7 - 8	
7	525 61 70-04	SEALING	3	700 mm	
8	525 76 35-01	LABEL	1		
9	503 21 53-30	SCREW	2		
10	525 57 16-01	LABEL	1		
10	525 57 16-02	LABEL	1	Rescue	
11	740 48 20-03	O-RING	1		
12	525 57 17-01	AIR NOZZLE	1		
13	501 98 10-01	SCREW	1		

Go to Discount-Equipment.com to order your parts



18

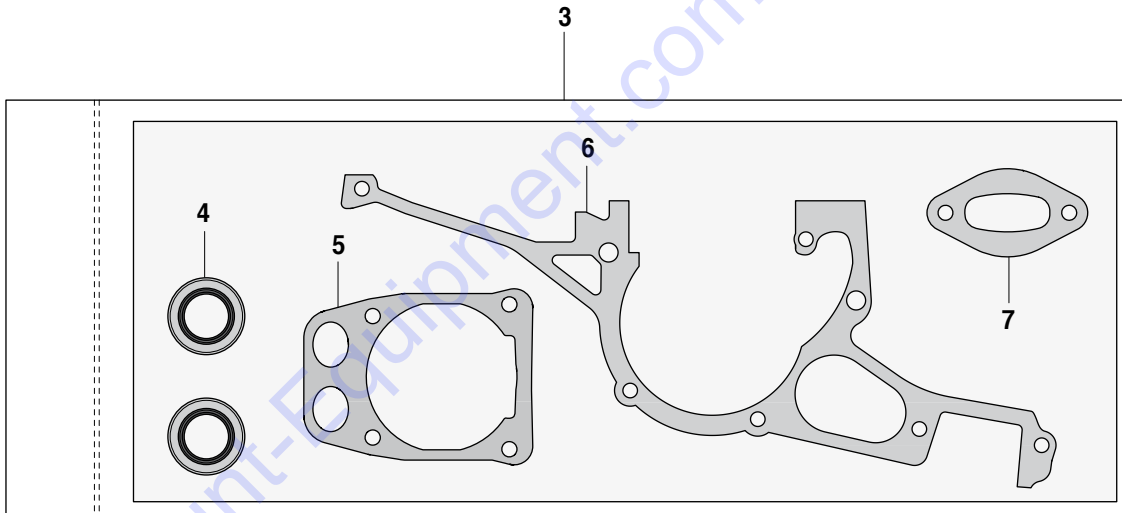
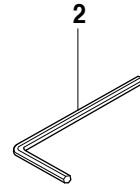
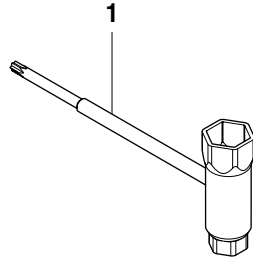


19

**Page M**  
**K970**

Pos.	Part No.	Description	Quantity	Notes	New Part
1	505 28 33-06	HOSE CLAMP	1		
2	506 41 41-01	INLET PIPE	1		
3	544 15 01-01	FLANGE	1		
4	503 21 53-16	SCREW	2		
5	544 11 39-01	CONSOLE	1		
6	503 21 53-30	SCREW	1		
7	506 41 42-01	PLATE	1		
8	522 94 20-01	CARBURETTOR	1	Walbro RWJ-5	
9	505 14 84-01	LEVER	1		
10	576 49 04-01	THROTTLE CABLE ASSY	1		
11	522 85 62-01	FLANGE INLET PIPE	1		
12	521 92 67-01	INLET PIPE	1		
13	510 24 39-01	FILTER CONNECTION	1		
14	501 97 18-01	SCREW	2		
15	544 23 26-01	CHISEL GUIDE	1		
16	506 23 20-11	CHOKE	1	Incl. 17	
17	506 27 25-01	WEAR PROTECTION	1		
18	502 44 58-01	GASKET KIT	1	Walbro RWJ-5	
19	502 44 59-01	REPAIR KIT	1	Walbro RWJ-5	

Go to Discount-Equipment.com to order your parts



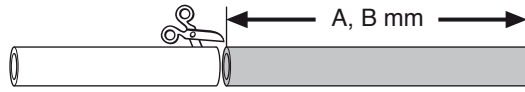
Go to Discount-Equipment.com to order your parts

Page N  
K970

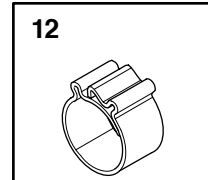
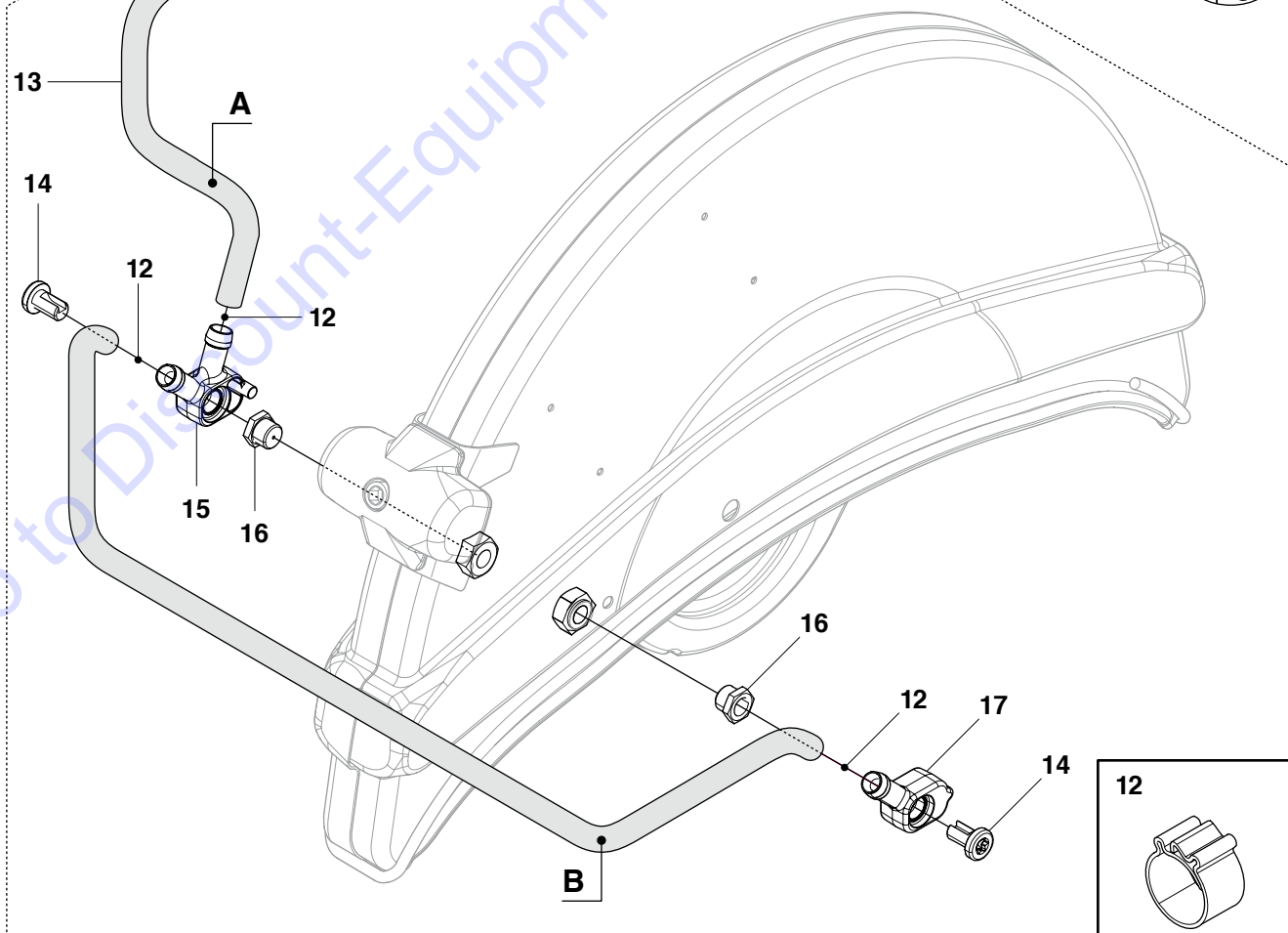
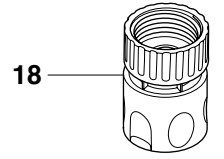
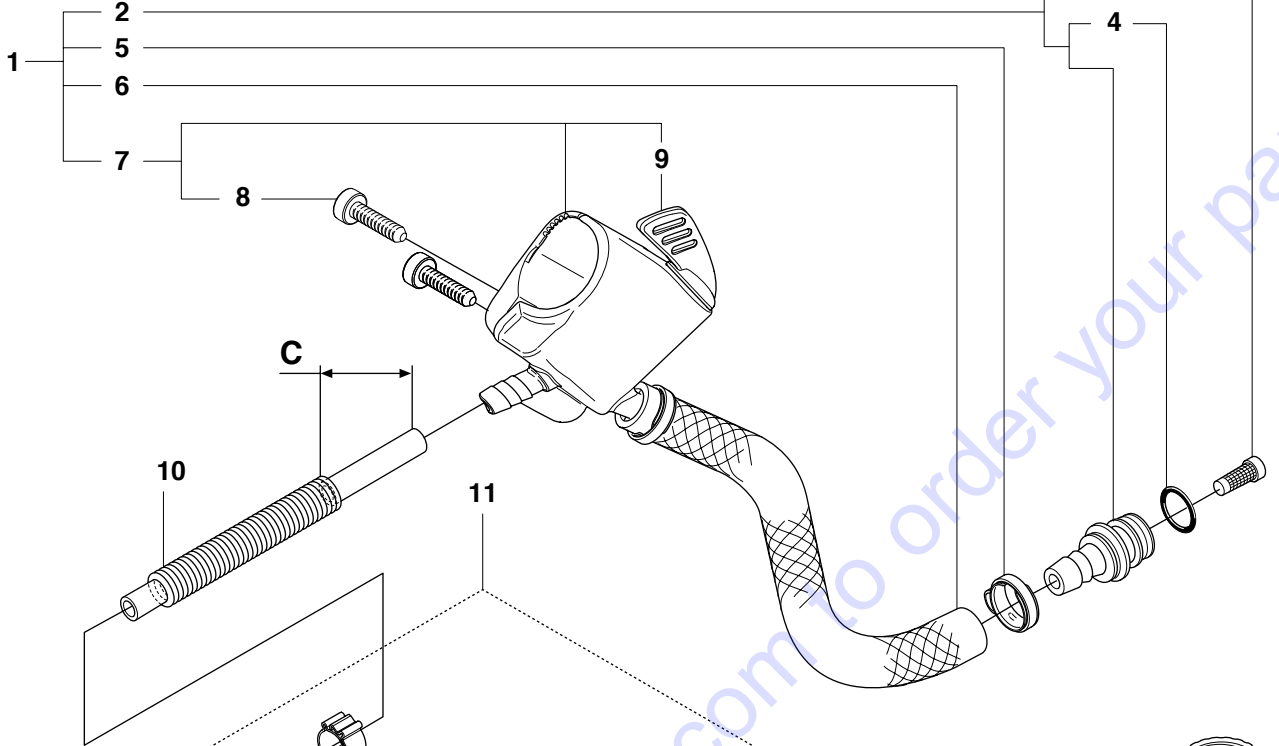
Pos.	Part No.	Description	Quantity	Notes	New Part
1	506 38 26-01	COMBINATION TOOL	1	Torx 27	
2	502 21 58-01	L-SPANNER	1	4 mm	
3	544 22 98-03	GASKET KIT	1	Incl. 9 - 12	
4	503 26 02-04	SEALING RING	2		
5	576 49 94-01	GASKET	1		
6	506 41 39-04	GASKET	1		
7	506 37 81-01	GASKET MUFFLER	1		

Go to Discount-Equipment.com to order your parts

**P** K970



	A (mm)	B (mm)	C (mm)
K970A 12"	165	320	----
K970A 14"	205	320	105
K970A 16"	230	320	105



Go to Discount-Equipment.com to order your parts

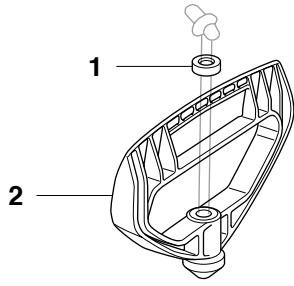
Pos.	Part No.	Description	Quantity	Notes	New Part
1	505 09 55-01	HOSE KIT	1	Incl. 2, 5 - 7	
2	506 29 57-02	NIPPLE	1	Incl. 3, 4	
3	506 29 88-01	FILTER	1		
4	505 10 35-01	O-RING	1		
5	506 49 87-02	HOSE CLAMP	1		
6	506 60 75-01	HOSE	1		
7	506 38 60-12	VALVE ASSY	1	Incl. 8	
8	503 21 54-20	SCREW	2		
9	506 31 24-01	VALVE SPINDLE	1		
10	506 35 27-01	PROTECTIVE SPRING	1		
11	505 09 54-01	HOSE KIT	1		
12	506 49 87-01	HOSE CLAMP	4		
13	506 60 68-06	HOSE	1	620 mm	
14	504 63 46-01	SCREW	2		
15	504 63 44-01	HOUSING	1		
16	504 63 42-01	NIPPLE	2		
17	504 63 45-01	HOUSING	1		
18	503 26 60-03	COUPLER	1	USA, Canada	
18	503 26 60-04	COUPLER	1		

Go to Discount-Equipment.com to order your parts

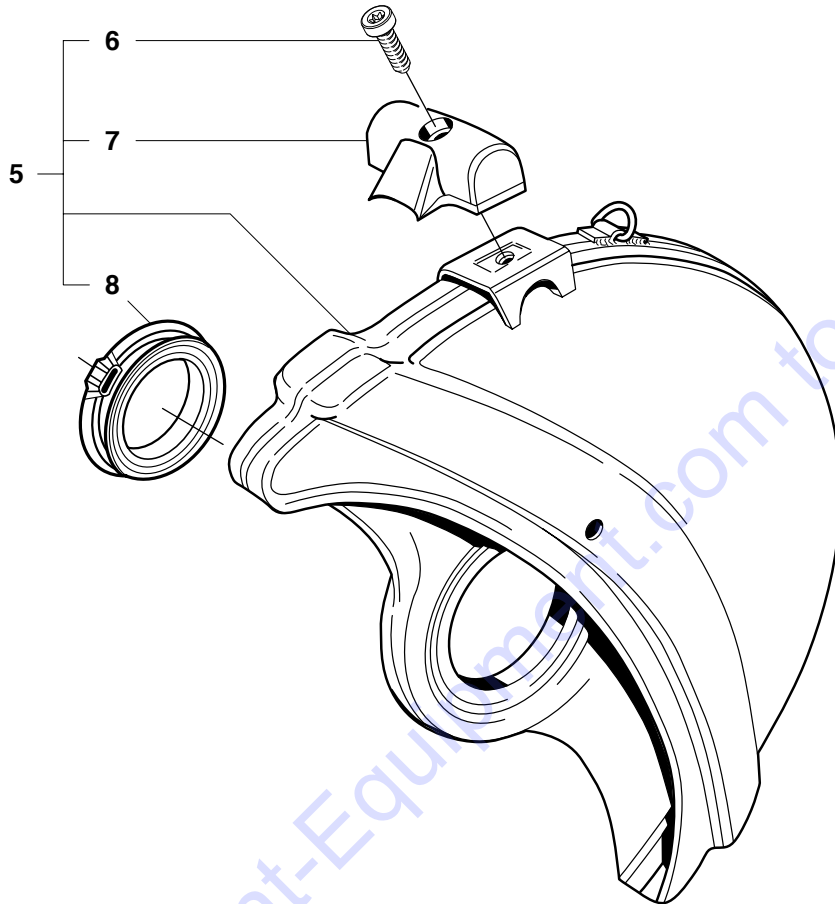


**Q** K970

**K12 FD  
FIRE-RESCUE**

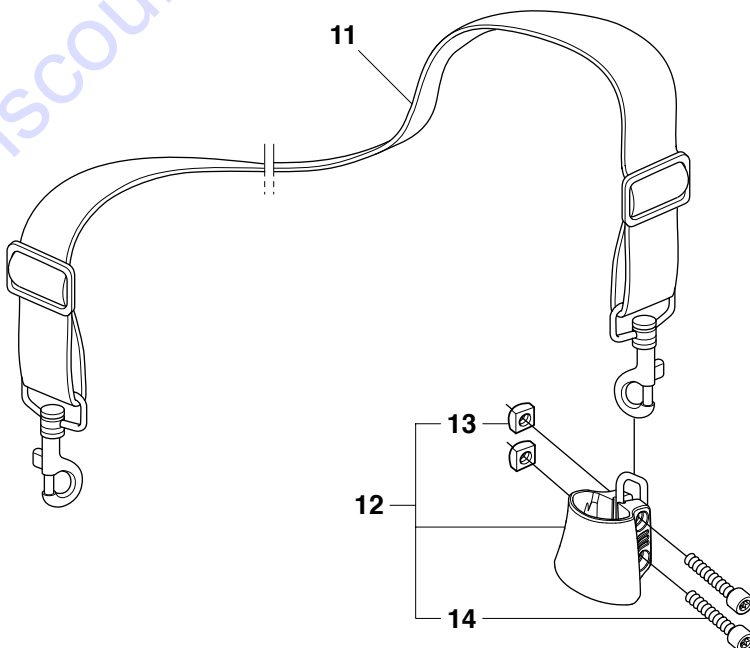


**Rescue**



**Husqvarna Rescue**  
max 5100 rpm  
Ø25.4 (Ø1"), Ø300 (Ø12")

**ATTENTION**  
This product has been modified for use by  
trained fire rescue personnel only.

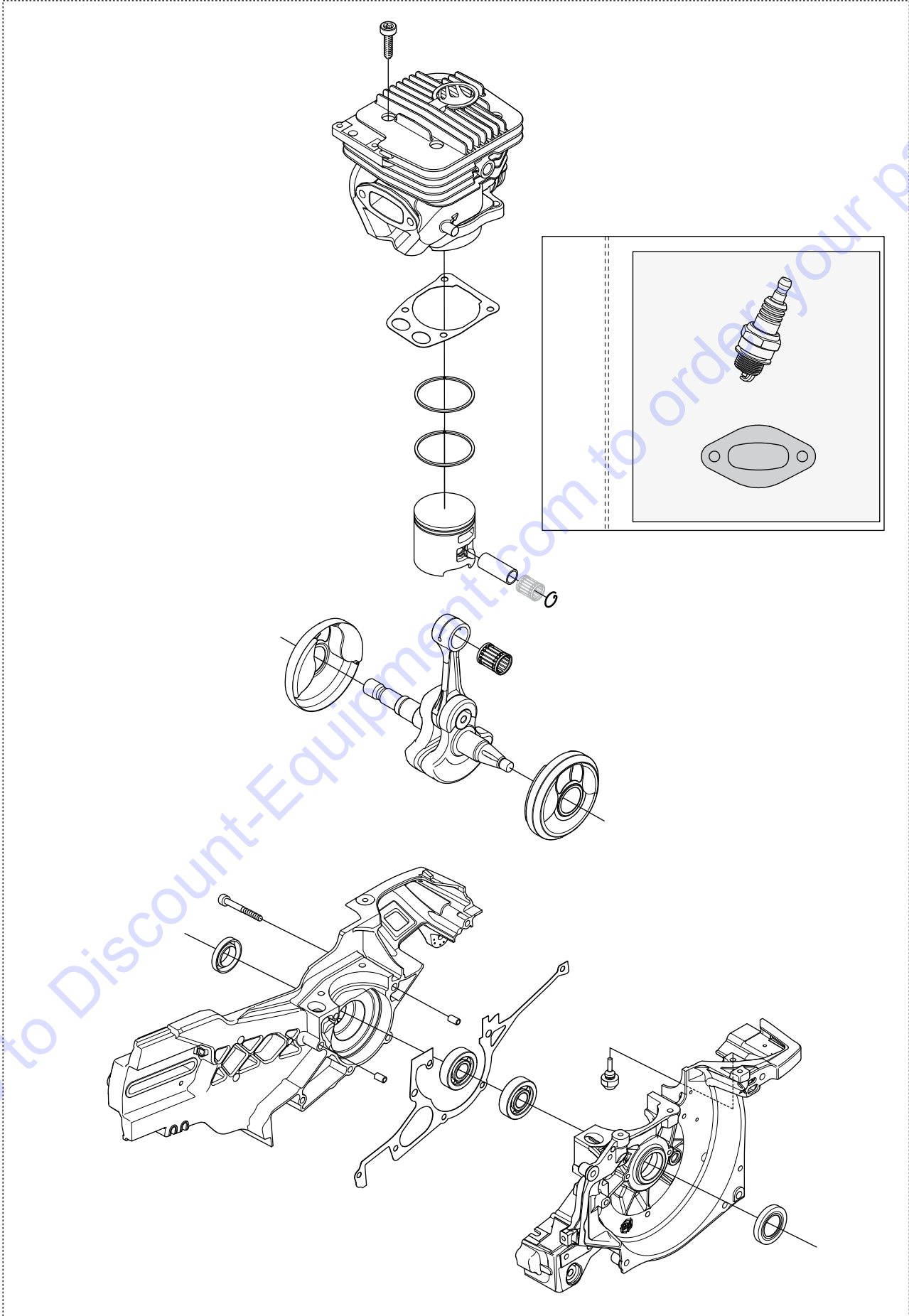


**Page Q**  
**K970**

Pos.	Part No.	Description	Quantity	Notes	New Part
1	503 14 29-02	WASHER	1		
2	506 29 75-02	STARTER HANDLE	1		
3	506 32 20-02	LABEL	1		
4	506 30 23-02	LABEL	2		
5	506 34 05-54	WHEEL GUARD ASSY	1	Rescue 14". Incl. 6 - 8	
5	506 34 05-52	WHEEL GUARD ASSY	1	Rescue 12". Incl. 6 - 8	
6	503 21 53-20	SCREW	1		
7	506 34 46-02	HANDLE	1		
8	506 26 63-02	LINING	2		
9	544 89 06-01	LABEL	1	14"	
9	544 89 06-03	LABEL	1	12"	
10	506 32 22-02	LABEL	1		
11	506 29 76-01	SHOULDER STRAP	1		
12	506 30 25-06	BRACKET	1	Incl. 13, 14	
13	503 22 65-04	NUT	2		
14	503 21 53-12	SCREW	2		

Go to Discount-Equipment.com to order your parts

1



Go to Discount-Equipment.com to order your parts

Page R  
K970

Pos.	Part No.	Description	Quantity	Notes	New Part
1	576 41 28-02	LONG BLOCK	1		

Go to [Discount-Equipment.com](http://Discount-Equipment.com) to order your parts

# PARTS FINDER

**Search Website  
by Part Number**



**Search Manual  
Library For Parts  
Manual & Lookup Part  
Numbers – Purchase  
or Request Quote**

**Search Manuals**

Enter your information to help us find the right parts manual for your machine.

\* Brand:

\* Model:

\* Serial:

\* Part Number:

SEARCH

**Can't Find Part or  
Manual? Request Help  
by Manufacturer,  
Model & Description**

**Parts Order Form**

Please fill in the following information to help us find the right part for your machine.

Manufacturer:	<input type="text"/>
Model:	<input type="text"/>
Description:	<input type="text"/>
Part Number:	<input type="text"/>
Quantity:	<input type="text"/>
Notes:	<input type="text"/>

Submit

Discount-Equipment.com is your online resource for quality parts & equipment.

Florida: **561-964-4949** Outside Florida TOLL FREE: **877-690-3101**

**Need parts?**

Click on this link: <http://www.discount-equipment.com/category/5443-parts/> and choose one of the options to help get the right parts and equipment you are looking for. Please have the machine model and serial number available in order to help us get you the correct parts. If you don't find the part on the website or on one of the online manuals, please fill out the request form and one of our experienced staff members will get back to you with a quote for the right part that your machine needs.

We sell worldwide for the brands: Genie, Terex, JLG, MultiQuip, Mikasa, Essick, Whiteman, Mayco, Toro Stone, Diamond Products, Generac Magnum, Airman, Haulotte, Barreto, Power Blanket, Nifty Lift, Atlas Copco, Chicago Pneumatic, Allmand, Miller Curber, Skyjack, Lull, Skytrak, Tsurumi, Husquvarna Target, Stow, Wacker, Sakai, Mi-T-M, Sullair, Basic, Dynapac, MBW, Weber, Bartell, Bennar Newman, Haulotte, Ditch Runner, Menegotti, Morrison, Contec, Buddy, Crown, Edco, Wyco, Bomag, Laymor, EZ Trench, Bil-Jax, F.S. Curtis, Gehl Pavers, Heli, Honda, ICS/PowerGrit, IHI, Partner, Imer, Clipper, MMD, Koshin, Rice, CH&E, General Equipment, Amida, Coleman, NAC, Gradall, Square Shooter, Kent, Stanley, Tamco, Toku, Hatz, Kohler, Robin, Wisconsin, Northrock, Oztec, Toker TK, Rol-Air, APT, Wylie, Ingersoll Rand / Doosan, Innovatech, Con X, Ammann, Mecalac, Makinex, Smith Surface Prep, Small Line, Wanco, Yanmar