

# J E T<sup>®</sup>

WMH | TOOL GROUP

## Operating Instructions and Parts Manual 1/2-Ton through 10-Ton Chain Hoists Model L-90



### WMH TOOL GROUP

2420 Vantage Drive  
Elgin, Illinois 60123  
Ph.: 800-274-6848  
[www.wmhtoolgroup.com](http://www.wmhtoolgroup.com)

**Part No. M-101505**  
Revision G 1/06  
Copyright © WMH Tool Group

This manual has been prepared for the owner and operators of a JET Model L-90 Chain Hoist. Its purpose, aside from machine operation, is to promote safety using accepted operating and maintenance procedures. To obtain maximum life and efficiency from your chain hoist and to aid in using it safely, please read this manual thoroughly and follow the instructions carefully.

## **Warranty and Service**

WMH Tool Group warrants every product it sells. If one of our tools needs service or repair, one of our Authorized Service Centers located throughout the United States can provide quick service or information.

In most cases, a WMH Tool Group Service Center can assist in authorizing repair work, obtaining parts, or perform routine or major maintenance repair on your JET product.

For the name of an Authorized Service Center in your area, please call 1-800-274-6848, or visit our web site at [www.wmhtoolgroup.com](http://www.wmhtoolgroup.com)

### **More Information**

Remember, WMH Tool Group is consistently adding new products to the line. For complete, up-to-date product information, check with your local WMH Tool Group distributor, or visit our web site at [www.wmhtoolgroup.com](http://www.wmhtoolgroup.com)

### **WMH Tool Group Warranty**

WMH Tool Group makes every effort to assure that its products meet high quality and durability standards and warrants to the original retail consumer/purchaser of our products that each product be free from defects in materials and workmanship as follows: 1 YEAR LIMITED WARRANTY ON ALL PRODUCTS UNLESS SPECIFIED OTHERWISE. This Warranty does not apply to defects due directly or indirectly to misuse, abuse, negligence or accidents, normal wear-and-tear, repair or alterations outside our facilities, or to a lack of maintenance.

WMH TOOL GROUP LIMITS ALL IMPLIED WARRANTIES TO THE PERIOD SPECIFIED ABOVE, BEGINNING FROM THE DATE THE PRODUCT WAS PURCHASED AT RETAIL. EXCEPT AS STATED HEREIN, ANY IMPLIED WARRANTIES OR MERCHANTABILITY AND FITNESS ARE EXCLUDED. SOME STATES DO NOT ALLOW LIMITATIONS ON HOW LONG THE IMPLIED WARRANTY LASTS, SO THE ABOVE LIMITATION MAY NOT APPLY TO YOU. IN NO EVENT SHALL WMH TOOL GROUP BE LIABLE FOR DEATH, INJURIES TO PERSONS OR PROPERTY, OR FOR INCIDENTAL, CONTINGENT, SPECIAL, OR CONSEQUENTIAL DAMAGES ARISING FROM THE USE OF OUR PRODUCTS. SOME STATES DO NOT ALLOW THE EXCLUSION OR LIMITATION OF INCIDENTAL OR CONSEQUENTIAL DAMAGES, SO THE ABOVE LIMITATION OR EXCLUSION MAY NOT APPLY TO YOU.

To take advantage of this warranty, the product or part must be returned for examination, postage prepaid, to an Authorized Service Center designated by our office. Proof of purchase date and an explanation of the complaint must accompany the merchandise. If our inspection discloses a defect, we will either repair or replace the product at our discretion, or refund the purchase price if we cannot readily and quickly provide a repair or replacement. We will return the repaired product or replacement at WMH Tool Group's expense, but if it is determined there is no defect, or that the defect resulted from causes not within the scope of WMH Tool Group's warranty, then the user must bear the cost of storing and returning the product. This warranty gives you specific legal rights; you may also have other rights, which vary from state to state.

WMH Tool Group sells through distributors only. Members of the WMH Tool Group reserve the right to effect at any time, without prior notice, alterations to parts, fittings and accessory equipment, which they may deem necessary for any reason whatsoever.

# Table of Contents

Warranty and Service .....	2
Table of Contents .....	3
Warning.....	4
Introduction.....	5
Specifications .....	5
Prior to Operation .....	6
Hooking the Load.....	6
Raising the Load.....	7
Cutting and Installing Hand Chain .....	7
Replacing Load Chain.....	8
Installing Load Chain.....	9
Allowable Limits for Load Chain and Hooks.....	11
Replacement Parts .....	11
Parts Breakdown for L-90.....	12
1/2 Ton L-90 Chain Hoist.....	13
1 Ton L-90 Chain Hoist.....	14
1-1/2 Ton L-90 Chain Hoist.....	15
2 Ton L-90 Chain Hoist.....	16
3 Ton L-90 Chain Hoist.....	17
5 Ton L-90 Chain Hoist.....	18
10 Ton L-90 Chain Hoist.....	19



# Warnings

1. Read and understand the entire contents of this manual before attempting to use the chain hoist.
2. Read and understand the warnings posted on the tool and in this manual. Failure to comply with all of these warnings may cause serious injury and/or damage to property.
3. Replace the warning labels if they become obscured or removed.
4. Keep visitors a safe distance from the work area. **Keep children away.**
5. Give your work undivided attention. Looking around, carrying on a conversation and “horse-play” are careless acts that can result in serious injury.
6. This chain hoist is designed and intended for use by properly trained and experienced personnel only. If you are not familiar with the proper and safe operation of a chain hoist, do not use until proper training and knowledge have been obtained.
7. Do not use this chain hoist for other than its intended use. If used for other purposes, WMH Tool Group disclaims any real or implied warranty and holds itself harmless from any injury that may result from that use.
8. Do not use to lift people or loads over people.
9. Do not exceed the rated capacity of the chain hoist.
10. Do not use more than hand power to pull the hand chain.
11. Do not use the load chain as a sling; this may cause damage to the chain.
12. Always inspect the chain hoist for damage prior to use. If the chain hoist is damaged, do not use until it has been repaired or replaced.
13. Do not use more than one chain hoist to lift or move a load. If this is unavoidable, each chain hoist must have the same capacity as the load to be moved.
14. Never allow the load chain to “set” over sharp edges. All lifts must be made with straight chain that is free of obstacles.
15. If the hand chain is difficult to operate, then the load exceeds the capacity of the chain hoist. Select a chain hoist of larger capacity.
16. Do not use a chain hoist unless load is centered between top and bottom hooks.
17. Always take time to study the job to be performed and choose the safest method. Do not place yourself or other people in an unsafe position.
18. Leave all internal maintenance to a qualified WMH Tool Group service center.
19. Replace the chain with factory replacement chain only. Do not use any other type of chain.
20. Never use the chain hoist if either hook is stretched, deformed, or has a broken or missing safety latch. Always replace the safety latch and/or the hook before placing the chain hoist back into service.
21. Understand and follow all procedures as set forth in American National Standards titled “Performance Standard for Hand Chain Manually Operated Chain Hoists.” ANSI/ASME HST-29M. This standard is available through the American Society of Mechanical Engineers, 345 East 47<sup>th</sup> St., NY, NY 10017.

## Familiarize yourself with the following safety notices used in this manual:



This means that if precautions are not heeded, it may result in minor injury and/or possible tool damage.

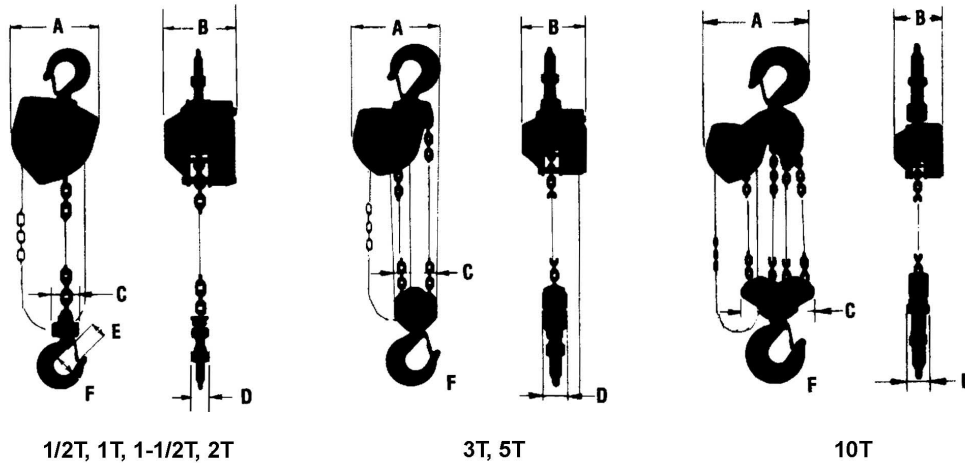


This means that if precautions are not heeded, it may result in serious injury or possibly even death.

# Introduction

This manual is provided by WMH Tool Group covering the safe operation and maintenance procedures for a JET L-90 Series Chain Hoist. This manual contains instructions on installation, safety precautions, general operating procedures, maintenance instructions and parts breakdown. This tool has been designed and constructed to provide years of trouble free operation if used in accordance with instructions set forth in this manual. If there are any questions or comments, please contact either your local supplier or WMH Tool Group. WMH Tool Group can also be reached at our web site: [www.wmhtoolgroup.com](http://www.wmhtoolgroup.com).

# Specifications



Stock Number*	Description	Rated Capacity (lbs.)	Std. Lift (ft.)	No. of Falls	Load Chain Dia. (mm)	Pull to Lift Capacity (lbs)	Req'd Hand Chain (ft.) to lift load 1'	Shipping Weight (lbs)	A (in.)	B (in.)	C (in.)	D (in.)	E (in.)	F (in.)
101505	L-90-1/2T-10	1,100	10	1	5	59	29	23	5-1/2	6-1/8	2-9/32	1-1/4	1	1-7/16
101510	L-90-1T-10	2,200	10	1	6.3	69	50	29	6-1/4	6-1/4	2-7/16	1-3/8	1-13/16	1-11/16
101515	L-90-1.5T-10	3,520	10	1	7.1	91	60	37	7-1/4	6-5/8	2-9/16	1-7/16	1-3/8	1-7/8
101520	L-90-2T-10	4,400	10	1	8	88	77	48	8-1/2	7-3/16	2-5/8	1-5/8	1-1/2	2-3/32
101530	L-90-3T-10	6,820	10	2	7.1	88	120	56	9	6-5/8	4-3/8	2-1/2	1-3/4	2-3/8
101550	L-90-5T-10	11,000	10	2	9	106	190	97	11-1/8	7-1/2	6-1/2	3-3/32	2-3/32	2-3/4
101560	L-90-10T-11.5	22,000	11.5	4	9	116	385	209	15-1/8	7-1/2	11-13/16	3-7/8	2-3/4	3-3/8

\* The above stock numbers are representative; chain is available in other lengths. Specify required chain length when ordering.

The above specifications were current at the time this manual was published, but because of our policy of continuous improvement, WMH Tool Group reserves the right to change specifications at any time and without prior notice, without incurring obligations.

## Prior to Operation

1. Support for the hoist may be hook, clevis pin, trolley, or beam clamp. Whatever method of suspension is chosen, the support components **must** be rated equal to, or greater than the capacity of the chain hoist.
2. If the chain hoist has not been used for an extended period of time, check for proper operation before putting into service.
3. The brake mechanism must be kept clean and free from dirt, water, and oil. Never allow oil to penetrate the brake mechanism. Always keep your chain hoist clean and store in a clean, dry location.
4. Although oiling the chain is not mandatory, a light coat of 30-weight oil applied periodically to the chain will create easier operation and prolong the life of the chain.
5. Check the chain for damage and elongation. Replace damaged chain before using the chain hoist.

**⚠WARNING** The load chain supplied with your JET chain hoist is designed, manufactured, and tested for proper fit and durability. Over a period of time, the chain may need to be replaced. For your own safety, use factory replacement chain only. Use of other than factory replacement chain may cause serious injury and/or damage to the hoist.

6. It is important to check top and bottom hooks for proper opening. If the safety latch no longer contacts the hook opening, replace the hook. **Never side load the top or bottom hook; this practice is dangerous and could lead to serious injury.**
7. If the vertical angle at the neck of the bottom or top hook reaches  $10^\circ$ , replace the hook (see Figure 1).

## Hooking the Load

1. Secure the upper hook.
2. Place the bottom hook securely into the object to be lifted.
3. Place ropes or chain in the center of the bottom hook, making sure the safety latch is secure. Never load the hook in front of the safety latch. See Figure 2.

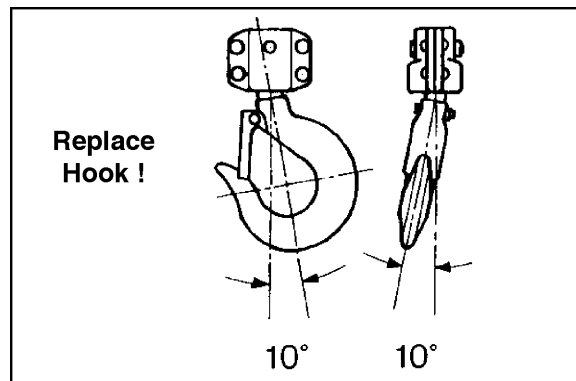


Figure 1

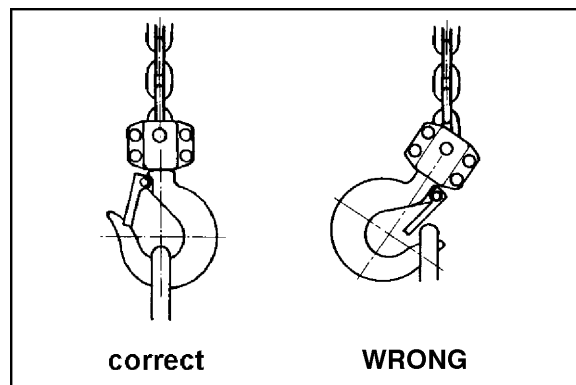


Figure 2

**⚠WARNING** Do not overload. Do not wrap chain around load. Never use two persons at once to operate hand chain.

4. Avoid lifting one load with two hoists. If this is unavoidable, apply equal weight to both hoists and use hoists with the proper lift capacity. **Capacity of each hoist must be equal to the total load to be lifted.**
5. Check that the chain is not twisted at the bottom hook. All welds should face the same direction (Figure 3).
6. For hoists with two or more falls of chain, make sure the bottom hook is not turned over. This may cause the chain to twist.

## Raising the Load

To raise the load, pull the right side of the hand chain (A, Figure 4) clockwise.

To lower the load, pull the left side of the hand chain (B, Figure 4) counterclockwise.

**Important:** Make sure the hoist has an adequate length of load chain to raise or lower the load in a safe manner. Do not attempt to lower the hoist beyond its limit.

## Cutting and Installing Hand Chain

To cut the hand chain in order to increase or shorten:

1. Insert one link lengthwise into a vise (Figure 5). Be sure that the side opposite the weld lies completely below the surface of the vise jaw (about 1/3 of a link). This prevents nicking or cutting the lower part of the link.
2. Using a hack saw, cut through the upper part of the link at the weld.
3. Loosen the link, reposition the link vertically at the edge of the vise with the level of the cut above the vise jaw (Figure 6).
4. Tighten the vise jaw.

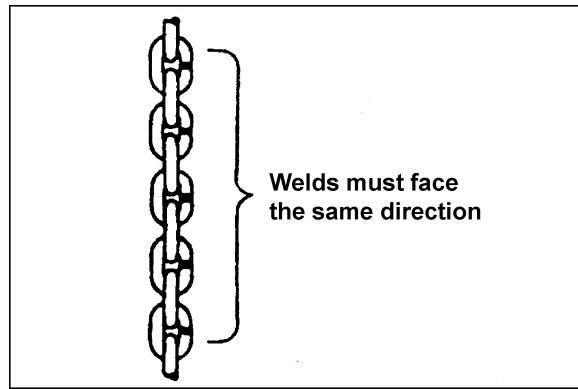


Figure 3

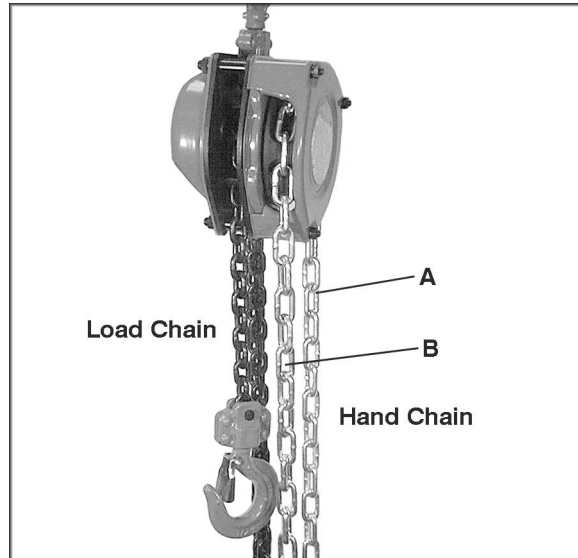


Figure 4

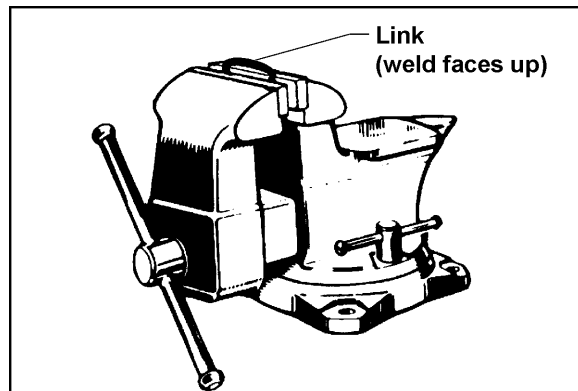


Figure 5

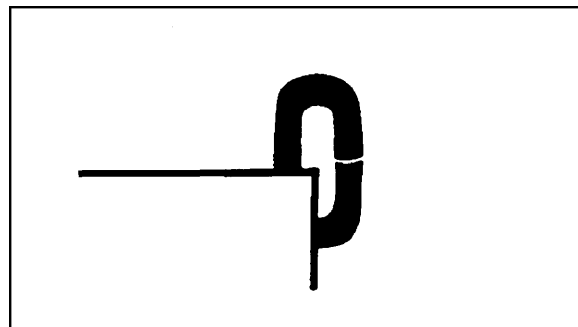


Figure 6

- Using an adjustable wrench, twist the link horizontally from front to back (Figure 7) Open just far enough to insert (or remove) a second chain link.

**Note:** Chain length is now ready to lengthen or shorten.

- Insert or remove the second end link at the opening in the first end link.
- Using an adjustable wrench, twist the link horizontally until the link is in the original closed position. See Figure 8.

**CAUTION** Do not push the link inward from the curved ends. This will distort the link. Check that the link is closed and free of twist.

- If installing entire new chain, insert the end of the hand chain into the groove at the top of the hand chain wheel (see Figure 9). Rotate the handwheel and pull the chain through. Re-weld the link at the cut.
- Grind off excess on the weld so that it is smooth.

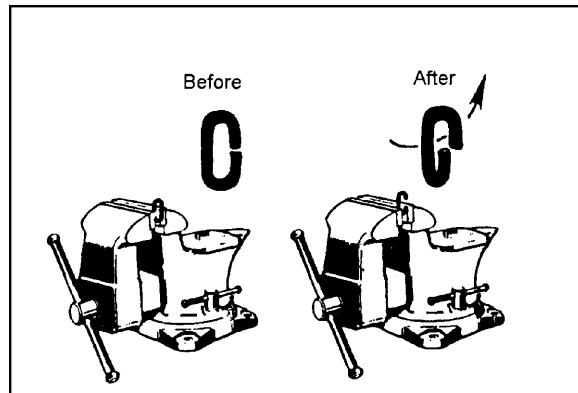


Figure 7

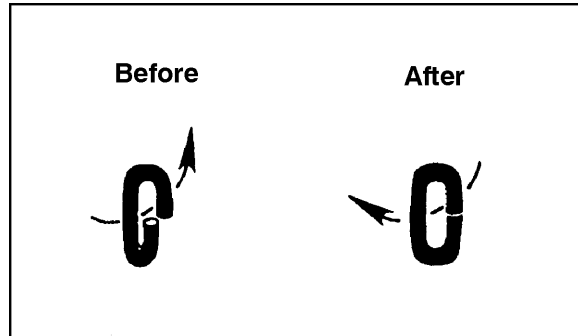


Figure 8

## Replacing Load Chain

**WARNING** Do not operate the hoist with a twisted, kinked or damaged load chain. Do not splice the load chain. Check the chain for excessive wear or stretch. Failure to comply may cause serious injury.

Over time, the load chain will wear or elongate. This can cause damage to the hoist, breakage, or non-engagement of the load sheave.

To inspect the load chain for wear:

- Test the hoist under load in both the lifting and lowering directions, observing the operation of chain and sprockets. Chain should feed smoothly into and away from the sprockets.
- If the chain binds, jumps, or is noisy, make sure it is clean and properly lubricated. If the trouble persists, inspect the chain and mating parts for wear, distortion, or other damage.
- Clean the chain before inspection. Examine for gouges, nicks, weld splatter, corrosion, and distorted links. Slacken the chain and move adjacent links to one side, looking for wear at the contact points. If you see wear or suspect stretching, measure the chain as follows:

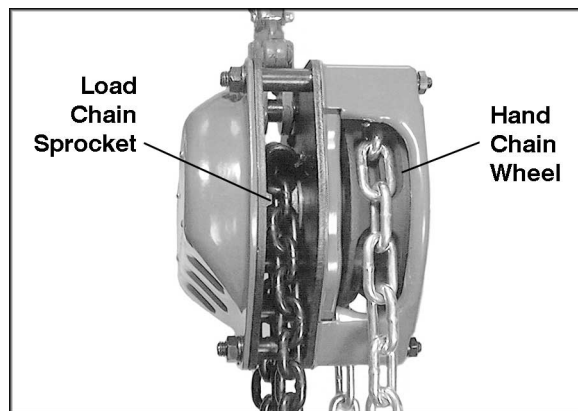


Figure 9



- Select an unworn, unstretched length of chain (i.e. at the slack end).
  - Suspend the chain vertically under tension and, using a caliper type gauge, measure the outside length of several links about 12 to 24 inches.
  - Measure the same number of links in used sections and calculate the percentage of the increase in length.
4. If the length of used chain exceeds 2-1/2 percent of the unused chain, replace the chain.

NOTE: Also refer to “Allowable Limits for Load Chain and Hooks” on page 11.

**⚠WARNING** Do not add to the load chain. Replace the entire chain. Failure to comply may cause serious injury.

### Installing Load Chain

To install load chain onto the load chain sprocket:

1. Position the load chain sprocket by rotating the hand chain wheel (see Figure 9) so that the wide and narrow grooves show in the sprocket.
2. Using a forked poker, insert the load chain into the sprocket grooves so that the chain will wind up and back over the sprocket. Welds must face away from the sprocket.
3. Rotate the hand chain wheel so that the load chain winds around the sprocket. Stop when the load chain falls six to eight inches at the back of the sprocket.
4. Remove the split pin and the anchor pin on the anchor plate (Figure 10).
5. Insert the bottom chain link into the anchor plate.
6. Insert the anchor pin through the anchor plate and chain link.
7. Insert the split pin through the tapered hole in the anchor pin and secure the split pin.

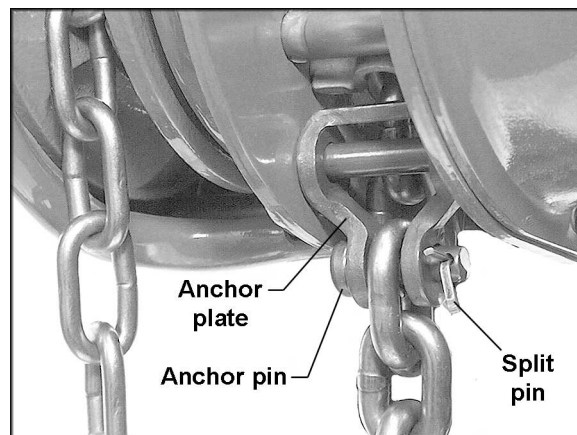


Figure 10

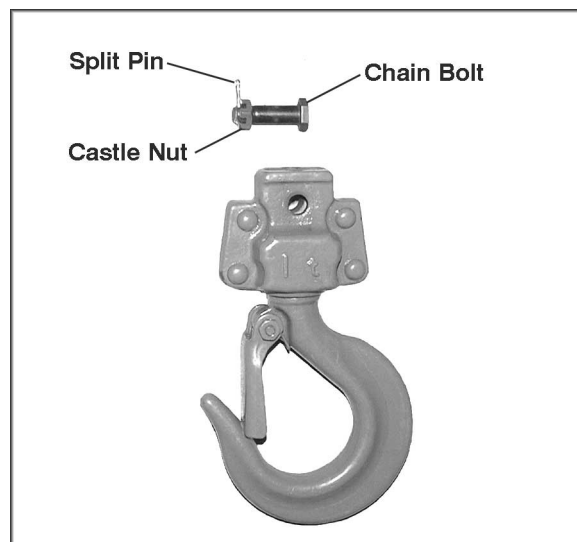


Figure 11

To install load chain into the **lower hook** on the **1/2 Ton, 1-Ton, 1-1/2 Ton** and **2-Ton** hoists:

1. Remove the split pin from the lower hook. See Figure 11.
2. Remove the castle nut from the chain bolt, and slide out the chain bolt.
3. Insert the last chain link into the lower hook slot. Check that the chain is not twisted.

4. Insert the chain bolt through the lower hook slot and chain link.
5. Secure the castle nut to the end of the bolt.
6. Insert the split pin through the tapered hole of the bolt. Secure the split pin.

To install load chain into the **lower hook** on the **10-Ton** hoists:

1. After installing the load chain into the load chain sprocket, run the remaining chain through your hand to remove any twist. The last link of the chain must be in the same direction as the first. If not, cut off the last link.
2. Insert the last link into the left side pulley of the lower hook.
3. Pull the load chain through and up from the underside of the pulley.
4. Check to see that the anchor plate is on the right side.
5. Insert the last link into the right hand pulley of the upper hook, moving the chain up, back, and then down. Check that the load chain is not twisted and welds face away from the pulley.
6. Insert the last link into the right side pulley of the lower hook, pulling up from the underside of the pulley.
7. Check that the load chain is not twisted.
8. Insert the last link over the left side pulley of the upper hook, moving the chain up, back, and then down.
9. To prevent the chain from free-wheeling, insert a screwdriver securely into a link at the base of the upper pulley.
10. Remove the split pin, castle nut, and the chain bolt in the lower hook slot.
11. Insert the last link into the lower hook slot.
12. Check that the load chain is not twisted.
13. Position the chain bolt back through the lower hook slot and the last chain link.
14. Place the castle nut onto the end of the bolt.
15. Secure the split pin in the tapered hole of the chain bolt.
16. Remove the screwdriver from the link at the base of the upper pulley.

To install load chain into the **lower hook** on the **3-Ton** and **5-Ton** hoists, follow the instructions above but allow for fewer falls of chain.

## Inspection and Maintenance

Read and follow ANSI Inspection and Maintenance Instructions. Know the meaning of Frequent Inspection, Periodic Inspection, Normal Service, Heavy Service, and Severe Service. It is the customer's responsibility to understand and follow all ANSI and JET inspection and maintenance instructions.

**⚠WARNING** All repairs and adjustments are to be performed by trained and experienced personnel using procedures that are approved for the hoist system being serviced. All safety related deficiencies discovered in the inspection are to be corrected before the hoist is to be placed back into service. Check for internal damage whenever external damage has occurred. Failure to comply may cause serious injury.

1. Clean hoist after each use and lightly oil.
2. Do not drop or drag the hoist.
3. Store the hoist in a clean and dry environment.
4. Chain oiling is not mandatory but will increase the life of the chain.
5. Leave all repairs and adjustments of internal parts to qualified repair personnel.
6. Inspect the load chain and the lower hook after lifting a maximum weight load.
7. This hoist uses special alloy hoisting chain and does not interchange with any other manufacturer. All replacement chain must be purchased from your JET distributor.
8. Check and inspect the brake system frequently.
9. Annually, the hoist should be disassembled, inspected, and cleaned by trained and experienced personnel only. Contact a WMH Tool Group authorized service center by calling your dealer or visiting our web site at [wmhtoolgroup.com](http://wmhtoolgroup.com).
10. After servicing, test the hoist with no load, then test the hoist with a load.

# Allowable Limits for Load Chain and Hooks

## Load Chain

Capacity	5 Links Normal	5 Links Limit
1/2 ton	2.95"	3.06"
1 ton	3.74"	3.87"
1-1/2 ton	4.13"	4.28"
2 ton	4.72"	4.89"
3 ton	4.13"	4.28"
5 ton	5.31"	5.50"
10 ton	5.31"	5.50"

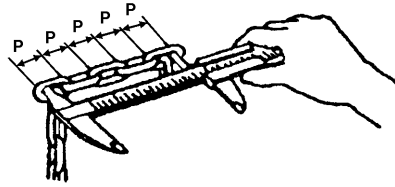


Figure 12

Carefully inspect the entire load chain. As illustrated in Figure 12, measure five consecutive links with calipers to measure the length. Check every three feet and especially where excessive wear is indicated. Any load chain that shows noticeable deformation or heat influence must be replaced with a new one. Never extend load chain by welding a second piece to the original.

## Hooks (Top & Bottom)

Capacity	"A" Normal	"A" Limit
1/2 ton	1.18"	1.30"
1 ton	1.34"	1.47"
1-1/2 ton	1.54"	1.69"
2 ton	1.69"	1.86"
3 ton	1.97"	2.17"
5 ton	2.28"	2.51"
10 ton	2.95"	3.25"

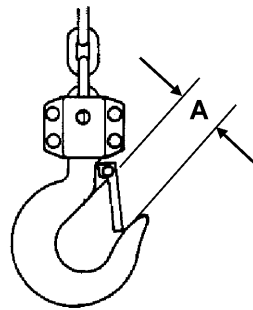


Figure 13

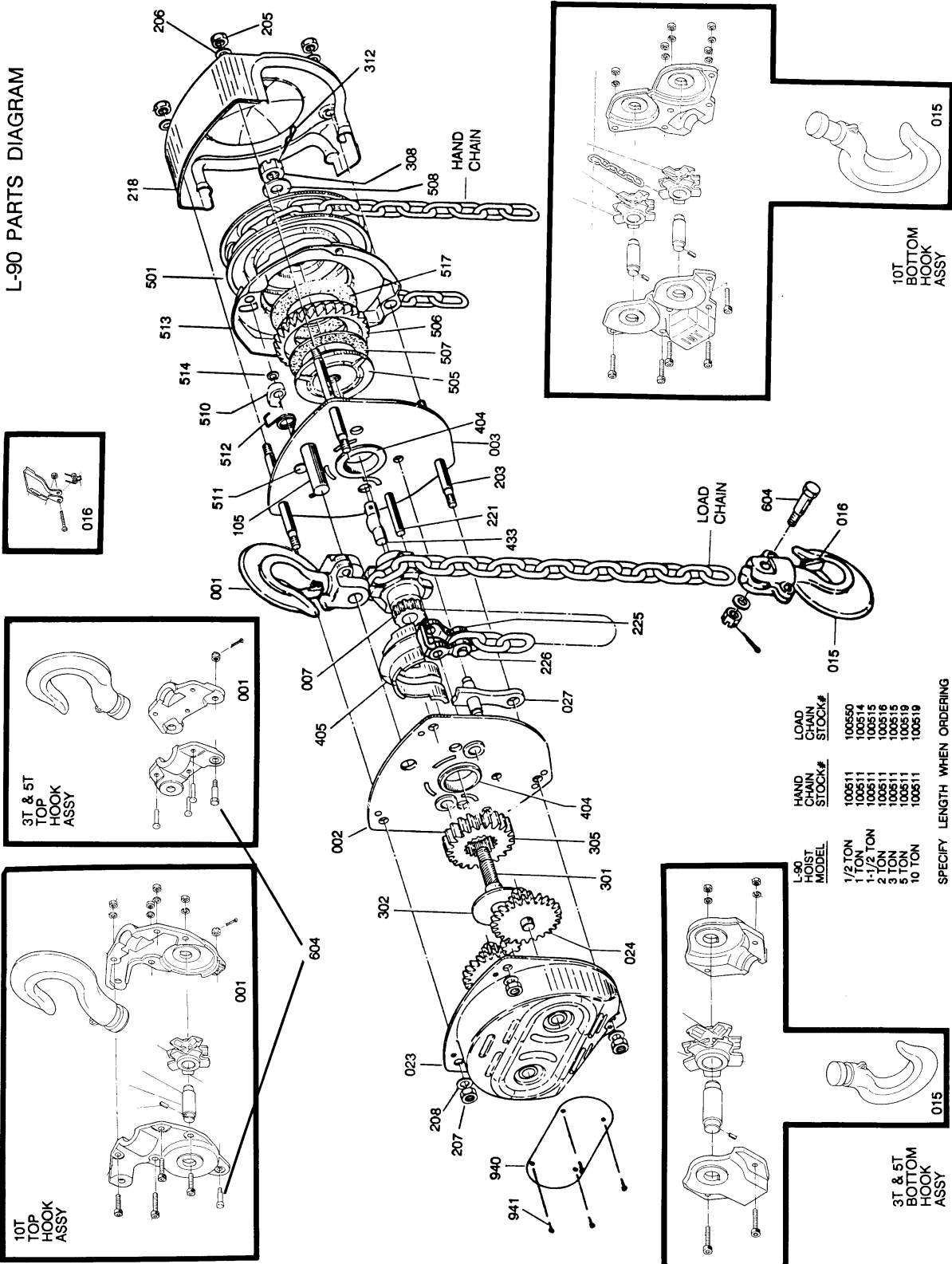
See Figure 13. Replace the hook when the "A" measurement is wider than "A" Limit in the table above. Never heat-treat the hook or attach anything to the hook by welding.

## Replacement Parts

Replacement parts are listed on the following pages. To order parts or reach our service department, call 1-800-274-6848 between 7:30 a.m. and 6:00 p.m. (CST), Monday through Friday. Having the Model Number and Serial Number of your machine available when you call will allow us to serve you quickly and accurately.

# Parts Breakdown for L-90

## L-90 PARTS DIAGRAM



## 1/2 Ton L-90 Chain Hoist

Index No.	Part No.	Description	Size
001	L90-001A	Top Hook Assembly	
002	L90-002A	Gear Side Plate Assembly	
003	L90-003A	Wheel Side Plate Assembly	
007	L90-007A	Load Sheave Assembly	
015	L90-015A	Bottom Hook Assembly	
016	L90-016A	Safety Latch Assembly (Old Style)	
	L90-016A-A	Safety Latch Assembly (New Style)	
023	L90-023A	Gear Case Assembly	
024	L90-024A	2 <sup>nd</sup> and 3 <sup>rd</sup> Gear Assembly	
027	L90-027A	Stripper Assembly	
105	L90-105AB	Top Hook Pin	
203	L90-203A	Stay Bolt	
205	L90-205ABCE	Cover Nut	
206	L90-206ABCE	Lock Washer	
207	L90-205ABCE	Cover Nut	
208	L90-206ABCE	Lock Washer	
218	L90-218A	Hand Wheel Cover	
221	L90-221A	Chain Stop Pin	
225	L90-225A	Anchor Plate	
226	L90-226A	Anchor Plate Pin	
301	L90-301A	Driving Shaft	
302	L90-302A	Driving Shaft Washer	
305	L90-305A	Load Gear	
308	L90-308	Castle Nut	
312	L90-312A	Castle Nut Pin	
404	L90-404A	Load Metal	
405	L90-405A	Load Sheave Cover	
433	L90-433A	Load Sheave Cover Pin	
501	L90-501A	Hand Chain Wheel	
505	L90-505A	Disc Hub	
506	L90-506A	Ratchet Gear	
507	L90-507A	Friction Disc	
508	L90-508	Check Washer	
510	L90-510ABCE	Pawl	
511	L90-511AB	Pawl Pin	
512	L90-512ABCE	Pawl Spring	
513	L90-513A	Brake Cover	
517	L90-517A	Friction Disc	
604	L90-604A	Chain Stop Bolt Assembly	
940	L90-940A	Name Plate	
941	L90-941	Rivet	
	100511	Hand Chain*	5mm
	100550	Load Chain*	5mm

\* Specify required length when ordering.

# 1 Ton L-90 Chain Hoist

Index No.	Part No.	Description	Size
001	L90-001B	Top Hook Assembly	
002	L90-002B	Gear Side Plate Assembly	
003	L90-003B	Wheel Side Plate Assembly	
007	L90-007B	Load Sheave Assembly	
015	L90-015B	Bottom Hook Assembly	
016	L90-016B	Safety Latch Assembly (Old Style)	
	L90-016B-A	Safety Latch Assembly (New Style)	
023	L90-023B	Gear Case Assembly	
024	L90-024B	2 <sup>nd</sup> and 3 <sup>rd</sup> Gear Assembly	
027	L90-027B	Stripper Assembly	
105	L90-105AB	Top Hook Pin	
203	L90-203B	Stay Bolt	
205	L90-205ABCE	Cover Nut	
206	L90-206ABCE	Lock Washer	
207	L90-205ABCE	Cover Nut	
208	L90-206ABCE	Lock Washer	
218	L90-218B	Hand Wheel Cover	
221	L90-221B	Chain Stop Pin	
225	L90-225B	Anchor Plate	
226	L90-226B	Anchor Plate Pin	
301	L90-301B	Driving Shaft	
302	L90-302B	Driving Shaft Washer	
305	L90-305B	Load Gear	
308	L90-308	Castle Nut	
312	L90-312BCDEFG	Castle Nut Pin	
404	L90-404B	Load Metal	
405	L90-405B	Load Sheave Cover	
433	L90-433B	Load Sheave Cover Pin	
501	L90-501B	Hand Chain Wheel	
505	L90-505B	Disc Hub	
506	L90-506B	Ratchet Gear	
507	L90-507B	Friction Disc	
508	L90-508	Check Washer	
510	L90-510ABCE	Pawl	
511	L90-511AB	Pawl Pin	
512	L90-512ABCE	Pawl Spring	
513	L90-513B	Brake Cover	
517	L90-517B	Friction Disc	
604	L90-604B	Chain Stop Bolt Assembly	
940	L90-940B	Name Plate	
941	L90-941	Rivet	
	100511	Hand Chain*	5mm
	100514	Load Chain*	6.3mm

\* Specify required length when ordering.

## 1-1/2 Ton L-90 Chain Hoist

Index No.	Part No.	Description	Size
001	L90-001C	Top Hook Assembly	
002	L90-002CE	Gear Side Plate Assembly	
003	L90-003CE	Wheel Side Plate Assembly	
007	L90-007C	Load Sheave Assembly	
015	L90-015C	Bottom Hook Assembly	
016	L90-016C	Safety Latch Assembly (Old Style)	
	L90-016C-A	Safety Latch Assembly (New Style)	
023	L90-023CE	Gear Case Assembly	
024	L90-024CE	2 <sup>nd</sup> and 3 <sup>rd</sup> Gear Assembly	
027	L90-027CE	Stripper Assembly	
105	L90-105CE	Top Hook Pin	
203	L90-203CE	Stay Bolt	
205	L90-205ABCE	Cover Nut	
206	L90-206ABCE	Lock Washer	
207	L90-205ABCE	Cover Nut	
208	L90-206ABCE	Lock Washer	
218	L90-218CE	Hand Wheel Cover	
221	L90-221CE	Chain Stop Pin	
225	L90-225CE	Anchor Plate	
226	L90-226CE	Anchor Plate Pin	
301	L90-301CE	Driving Shaft	
302	L90-302CE	Driving Shaft Washer	
305	L90-305CE	Load Gear	
308	L90-308	Castle Nut	
312	L90-312BCDEFG	Castle Nut Pin	
404	L90-404CE	Load Metal	
405	L90-405CE	Load Sheave Cover	
433	L90-433CE	Load Sheave Cover Pin	
501	L90-501CE	Hand Chain Wheel	
505	L90-505CE	Disc Hub	
506	L90-506CE	Ratchet Gear	
507	L90-507CE	Friction Disc	
508	L90-508	Check Washer	
510	L90-510ABCE	Pawl	
511	L90-511CE	Pawl Pin	
512	L90-512ABCE	Pawl Spring	
513	L90-513CE	Brake Cover	
517	L90-517CE	Friction Disc	
604	L90-604CE	Chain Stop Bolt Assembly	
940	L90-940C	Name Plate	
941	L90-941	Rivet	
	100511	Hand Chain*	5mm
	100515	Load Chain*	7.1mm

\* Specify required length when ordering.

## 2 Ton L-90 Chain Hoist

Index No.	Part No.	Description	Size
001	L90-001D	Top Hook Assembly	
002	L90-002D	Gear Side Plate Assembly	
003	L90-003D	Wheel Side Plate Assembly	
007	L90-007D	Load Sheave Assembly	
015	L90-015D	Bottom Hook Assembly	
016	L90-016D	Safety Latch Assembly (Old Style)	
	L90-016D-A	Safety Latch Assembly (New Style)	
023	L90-023D	Gear Case Assembly	
024	L90-024D	2 <sup>nd</sup> and 3 <sup>rd</sup> Gear Assembly	
027	L90-027D	Stripper Assembly	
105	L90-105DFG	Top Hook Pin	
203	L90-203D	Stay Bolt	
205	L90-205D	Cover Nut	
206	L90-206D	Lock Washer	
207	L90-205D	Cover Nut	
208	L90-206D	Lock Washer	
218	L90-218D	Hand Wheel Cover	
221	L90-221D	Chain Stop Pin	
225	L90-225D	Anchor Plate	
226	L90-226D	Anchor Plate Pin	
301	L90-301D	Driving Shaft	
302	L90-302D	Driving Shaft Washer	
305	L90-305D	Load Gear	
308	L90-308	Castle Nut	
312	L90-312BCDEFG	Castle Nut Pin	
404	L90-404D	Load Metal	
405	L90-405D	Load Sheave Cover	
433	L90-433D	Load Sheave Cover Pin	
501	L90-501D	Hand Chain Wheel	
505	L90-505DFG	Disc Hub	
506	L90-506DFG	Ratchet Gear	
507	L90-507DFG	Friction Disc	
508	L90-508	Check Washer	
510	L90-510DFG	Pawl	
511	L90-511DFG	Pawl Pin	
512	L90-512DFG	Pawl Spring	
513	L90-513D	Brake Cover	
517	L90-517DFG	Friction Disc	
604	L90-604D	Chain Stop Bolt Assembly	
940	L90-940D	Name Plate	
941	L90-941	Rivet	
	100511	Hand Chain*	5mm
	100516	Load Chain*	8mm

\* Specify required length when ordering.



### 3 Ton L-90 Chain Hoist

Index No.	Part No.	Description	Size
001	L90-001E	Top Hook Assembly	
002	L90-002CE	Gear Side Plate Assembly	
003	L90-003CE	Wheel Side Plate Assembly	
007	L90-007E	Load Sheave Assembly	
015	L90-015E	Bottom Hook Assembly	
016	L90-016E	Safety Latch Assembly (Old Style)	
	L90-016E-A	Safety Latch Assembly (New Style)	
023	L90-023CE	Gear Case Assembly	
024	L90-024CE	2 <sup>nd</sup> and 3 <sup>rd</sup> Gear Assembly	
027	L90-027CE	Stripper Assembly	
105	L90-105CE	Top Hook Pin	
203	L90-203CE	Stay Bolt	
205	L90-205ABCE	Cover Nut	
206	L90-206ABCE	Lock Washer	
207	L90-205ABCE	Cover Nut	
208	L90-206ABCE	Lock Washer	
218	L90-218CE	Hand Wheel Cover	
221	L90-221CE	Chain Stop Pin	
225	L90-225CE	Anchor Plate	
226	L90-226CE	Anchor Plate Pin	
301	L90-301CE	Driving Shaft	
302	L90-302CE	Driving Shaft Washer	
305	L90-305CE	Load Gear	
308	L90-308	Castle Nut	
312	L90-312BCDEFG	Castle Nut Pin	
404	L90-404CE	Load Metal	
405	L90-405CE	Load Sheave Cover	
433	L90-433CE	Load Sheave Cover Pin	
501	L90-501CE	Hand Chain Wheel	
505	L90-505CE	Disc Hub	
506	L90-506CE	Ratchet Gear	
507	L90-507CE	Friction Disc	
508	L90-508	Check Washer	
510	L90-510ABCE	Pawl	
511	L90-511CE	Pawl Pin	
512	L90-512ABCE	Pawl Spring	
513	L90-513CE	Brake Cover	
517	L90-517CE	Friction Disc	
604	L90-604CE	Chain Stop Bolt Assembly	
940	L90-940E	Name Plate	
941	L90-941	Rivet	
	100511	Hand Chain*	5mm
	100515	Load Chain*	7.1mm

\* Specify required length when ordering.

## 5 Ton L-90 Chain Hoist

Index No.	Part No.	Description	Size
001	L90-001F	Top Hook Assembly	
002	L90-002FG	Gear Side Plate Assembly	
003	L90-003FG	Wheel Side Plate Assembly	
007	L90-007FG	Load Sheave Assembly	
015	L90-015F	Bottom Hook Assembly	
016	L90-016F	Safety Latch Assembly (Old Style)	
	L90-016F-A	Safety Latch Assembly (New Style)	
023	L90-023FG	Gear Case Assembly	
024	L90-024FG	2 <sup>nd</sup> and 3 <sup>rd</sup> Gear Assembly	
027	L90-027FG	Stripper Assembly	
105	L90-105DFG	Top Hook Pin	
203	L90-203F	Stay Bolt	
205	L90-205FG	Cover Nut, M10	
206	L90-206FG	Lock Washer, M10	
207	L90-205FG-1	Cover Nut, M12	
208	L90-206FG-1	Lock Washer, M12	
218	L90-218FG	Hand Wheel Cover	
221	L90-221FG	Chain Stop Pin	
225	L90-225FG	Anchor Plate	
226	L90-226FG	Anchor Plate Pin	
301	L90-301FG	Driving Shaft	
302	L90-302FG	Driving Shaft Washer	
305	L90-305FG	Load Gear	
308	L90-308	Castle Nut	
312	L90-312BCDEFG	Castle Nut Pin	
404	L90-404FG	Load Metal	
405	L90-405FG	Load Sheave Cover	
433	L90-433FG	Load Sheave Cover Pin	
501	L90-501FG	Hand Chain Wheel	
505	L90-505DFG	Disc Hub	
506	L90-506DFG	Ratchet Gear	
507	L90-507DFG	Friction Disc	
508	L90-508	Check Washer	
510	L90-510DFG	Pawl	
511	L90-511DFG	Pawl Pin	
512	L90-512DFG	Pawl Spring	
513	L90-513FG	Brake Cover	
517	L90-517DFG	Friction Disc	
604	L90-604F	Chain Stop Bolt Assembly	
940	L90-940F	Name Plate	
941	L90-941	Rivet	
	100511	Hand Chain*	5mm
	100519	Load Chain*	9mm

\* Specify required length when ordering.

## 10 Ton L-90 Chain Hoist

Index No.	Part No.	Description	Size
001	L90-001G	Top Hook Assembly	
002	L90-002FG	Gear Side Plate Assembly	
003	L90-003FG	Wheel Side Plate Assembly	
007	L90-007FG	Load Sheave Assembly	
015	L90-015G	Bottom Hook Assembly	
016	L90-016G	Safety Latch Assembly (Old Style)	
023	L90-023FG	Gear Case Assembly	
024	L90-024FG	2 <sup>nd</sup> and 3 <sup>rd</sup> Gear Assembly	
027	L90-027FG	Stripper Assembly	
105	L90-105DFG	Top Hook Pin	
203	L90-203G	Stay Bolt	
205	L90-205FG	Cover Nut, M10	
206	L90-206FG	Lock Washer, M10	
207	L90-205FG-1	Cover Nut, M12	
208	L90-206FG-1	Lock Washer, M12	
218	L90-218FG	Hand Wheel Cover	
221	L90-221FG	Chain Stop Pin	
225	L90-225FG	Anchor Plate	
226	L90-226FG	Anchor Plate Pin	
301	L90-301FG	Driving Shaft	
302	L90-302FG	Driving Shaft Washer	
305	L90-305FG	Load Gear	
308	L90-308	Castle Nut	
312	L90-312BCDEFG	Castle Nut Pin	
404	L90-404FG	Load Metal	
405	L90-405FG	Load Sheave Cover	
433	L90-433FG	Load Sheave Cover Pin	
501	L90-501FG	Hand Chain Wheel	
505	L90-505DFG	Disc Hub	
506	L90-506DFG	Ratchet Gear	
507	L90-507DFG	Friction Disc	
508	L90-508	Check Washer	
510	L90-510DFG	Pawl	
511	L90-511DFG	Pawl Pin	
512	L90-512DFG	Pawl Spring	
513	L90-513FG	Brake Cover	
517	L90-517DFG	Friction Disc	
604	L90-604G	Chain Stop Bolt Assembly	
940	L90-940G	Name Plate	
941	L90-941	Rivet	
	100511	Hand Chain*	5mm
	100519	Load Chain*	9mm

\* Specify required length when ordering.

# TEST CERTIFICATE

COMMODITY	Chain Hoist
MODEL	L-90-
SERIAL NO.	
CAPACITY	ton
TEST LOAD	ton
LIFT	ft.
DATE OF INSPECTION	
JUDGEMENT	<b>PASSED</b>
INSPECTOR	

Record your purchase and installation information here

Purchased from: \_\_\_\_\_ Date: \_\_\_\_\_  
Serial Number: \_\_\_\_\_ Model Number: \_\_\_\_\_  
Stock Number: \_\_\_\_\_  
Location Installed: \_\_\_\_\_  
Date Installed: \_\_\_\_\_ Date in Service: \_\_\_\_\_



**WMH Tool Group**  
2420 Vantage Drive  
Elgin, Illinois 60123  
Phone: 800-274-6848  
[www.wmhtoolgroup.com](http://www.wmhtoolgroup.com)