

GB

Operator's manual

Please read the operator's manual carefully and make sure you understand the instructions before using the machine.

ES

Manual de instrucciones

Lea detenidamente el manual de instrucciones y asegúrese de entender su contenido antes de utilizar la máquina.

DE

Bedienungsanweisung

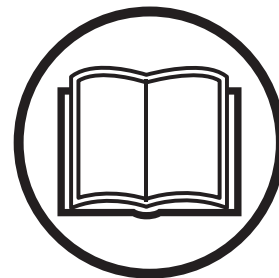
Lesen Sie die Bedienungsanweisung sorgfältig durch und machen Sie sich mit dem Inhalt vertraut, bevor Sie das Gerät benutzen.

FR

Manuel d'utilisation

Lire attentivement et bien assimiler le manuel d'utilisation avant d'utiliser la machine.

DM 406 H



GB ES DE FR

TO PURCHASE THIS PRODUCT PLEASE CONTACT US



**Equipment Financing and
Extended Warranties Available**



**Discount-Equipment.com is your online resource for
commercial and industrial quality parts and equipment sales.**

561-964-4949

visit us on line @ www.discount-equipment.com

Select an option below to find your Equipment

Search by Manufacturer

Search by Product Type

Request a Quote

We sell worldwide for the brands: Genie, Terex, JLG, MultiQuip, Mikasa, Essick, Whiteman, Mayco, Toro Stone, Diamond Products, Generac Magnum, Airman, Haulotte, Barreto, Power Blanket, Nifty Lift, Atlas Copco, Chicago Pneumatic, Allmand, Miller Curber, Skyjack, Lull, Skytrak, Tsurumi, Husquvarna Target, Stow, Wacker, Sakai, Mi-T-M, Sullair, Basic, Dynapac, MBW, Weber, Bartell, Bennar Newman, Haulotte, Ditch Runner, Menegotti, Morrison, Contec, Buddy, Crown, Edco, Wyco, Bomag, Laymor, EZ Trench, Bil-Jax, F.S. Curtis, Gehl Pavers, Heli, Honda, ICS/PowerGrit, IHI, Partner, Imer, Clipper, MMD, Koshin, Rice, CH&E, General Equipment, Amida, Coleman, NAC, Gradall, Square Shooter, Kent, Stanley, Tamco, Toku, Hatz, Kohler, Robin, Wisconsin, Northrock, Oztec, Toker TK, Rol-Air, APT, Wylie, Ingersoll Rand / Doosan, Innovatech, Con X, Ammann, Mecalac, Makinex, Smith Surface Prep, Small Line, Wanco, Yanmar

KEY TO SYMBOLS

Symbols on the machine:

WARNING! The machine can be a dangerous tool if used incorrectly or carelessly, which can cause serious or fatal injury to the operator or others.



Please read the operator's manual carefully and make sure you understand the instructions before using the machine.



Always wear:

- Approved protective helmet
- Approved hearing protection
- Protective goggles or a visor
- Breathing mask



This product is in accordance with applicable EC directives.



Environmental marking. Symbols on the product or its packaging indicate that this product cannot be handled as domestic waste.



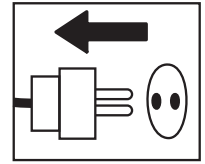
By ensuring that this product is taken care of correctly, you can help to counteract the potential negative impact on the environment and people that can otherwise result through the incorrect waste management of this product.

For more detailed information about recycling this product, contact your municipality, your domestic waste service or the shop from where you purchased the product.

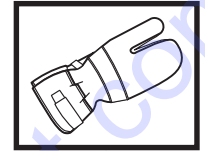
Other symbols/decals on the machine refer to special certification requirements for certain markets.

Symbols in the operator's manual:

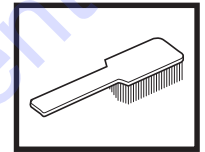
Inspection and/or maintenance should be carried out with the motor switched off and the plug disconnected.



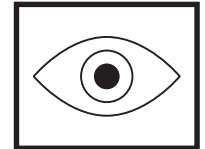
Always wear approved protective gloves.



Regular cleaning is required.



Visual check.



Protective goggles or a visor must be worn.



CONTENTS

Contents

KEY TO SYMBOLS

Symbols on the machine: 2

Symbols in the operator's manual: 2

CONTENTS

Contents 3

PRESENTATION

DM 406 H 4

WHAT IS WHAT?

What is what on the drilling machine? 5

SAFETY INSTRUCTIONS

Steps before using a new drilling machine 6

Personal protective equipment 6

General safety precautions 7

ASSEMBLING AND ADJUSTMENTS

Connect the power unit 9

Connect the water cooling 9

Fitting the drill bit 9

Speed 9

STARTING AND STOPPING

Before starting 10

Starting 10

Stopping 10

MAINTENANCE

General 11

Cleaning 11

Changing the gearbox oil 11

Daily maintenance 11

Repairs 11

TECHNICAL DATA

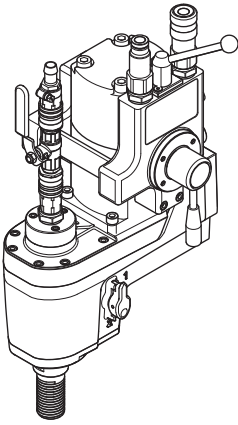
Speed 12

EC-declaration of conformity 13

To order go to Discount-Equipment.com

PRESENTATION

DM 406 H

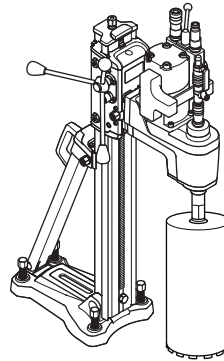


It is our wish that you will be satisfied with your product and that it will be your companion for a long time. Think of this operator's manual as a valuable document. By following its' content (using, service, maintenance etc) the life span and the second-hand value of the machine can be extended. If you will sell this machine, make sure that the buyer will get the operator's manual.

A purchase of one of our products gives you access to professional help with repairs and services. If the retailer who sells your machine is not one of our authorised dealers, ask him for the address of your nearest service workshop.

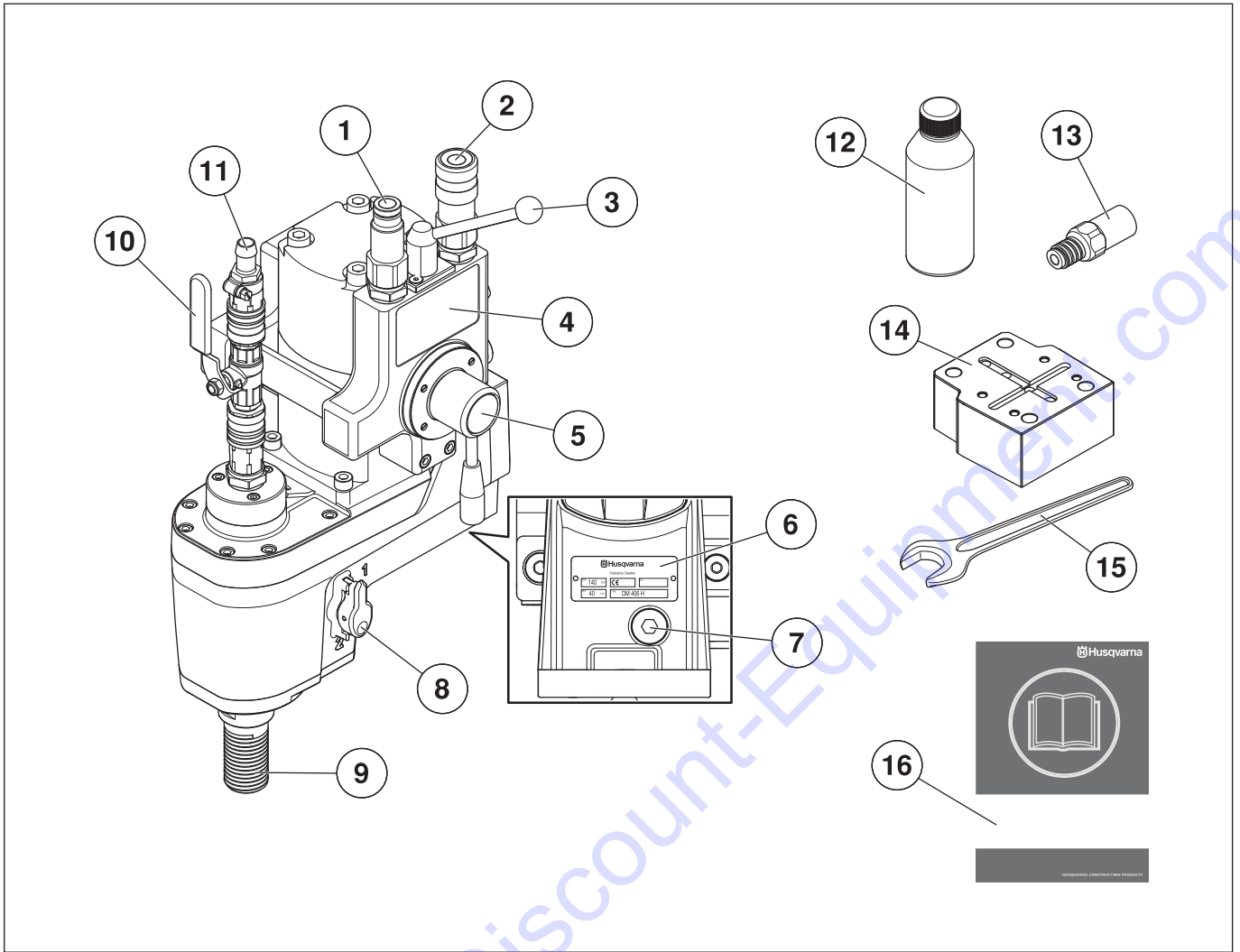
Husqvarna Construction Products has a policy of continuous product development. Husqvarna reserves the right to modify the design and appearance of products without prior notice and without further obligation introduce design modifications.

- DM 406 is an hydraulic drill motor, intended for drilling concrete, brick and various stone materials.
- The machine is intended for stand mounted drilling.



- The following Husqvarna drill stands are recommended for use with the drill motor:
 - DS 50 AT/ATS/Gyro/COMBO/BASIC
 - DS 70 AT/ATS
 - DS 450
- The machine is intended for use together with the PP 325 power unit. When used together with another power unit, the specified max. flow and max. pressure must not be exceeded. See instructions in the section "Technical data".
- The drilling machine has a modular design and is easy to assemble.
- The hydraulic motor speed can be set in three positions. The mechanical gearbox has two gears. This makes it possible to set 6 different spindle speeds.
- The machine has a water cooled gearbox with a pipe that runs through the spindle.

WHAT IS WHAT?



What is what on the drilling machine?

- | | |
|----------------------------------|---|
| 1 Connection return hose | 9 Drill spindle |
| 2 Pressure connection | 10 Water tap |
| 3 Control rotation, on/off | 11 Water connector |
| 4 Speed chart | 12 Oil bottle (3 dl) |
| 5 Speed control, hydraulic motor | 13 Junction coupling (1/4" UNC - CR 128 M), accessory |
| 6 Rating plate | 14 Adapter, accessory |
| 7 Oil plug | 15 Open-ended spanner, 36 mm |
| 8 Gear knob | 16 Operator's manual |

SAFETY INSTRUCTIONS

Steps before using a new drilling machine

- Do not use the drilling machine without first reading and understanding the contents of this Operator's Manual.
- DM 406 is an hydraulic drill motor, intended for drilling concrete, brick and various stone materials.
- The machine is intended for use in industrial applications by experienced operators. Use in any other way is considered as contrary to the intended use.

Always use common sense

It is not possible to cover every conceivable situation you can face when using a drilling machine. Always exercise care and use your common sense. Avoid all situations which you consider to be beyond your capability. If you still feel uncertain about operating procedures after reading these instructions, you should consult an expert before continuing. Do not hesitate to contact Discount-equipment or us if you have any more questions about the use of the drilling machine. We will willingly be of service and provide you with advice as well as help you to use your drilling machine both efficiently and safely.

Let Discount-equipment check the drilling machine regularly and make essential adjustments and repairs.

Husqvarna Construction Products has a policy of continuous product development. Husqvarna reserves the right to modify the design and appearance of products without prior notice and without further obligation introduce design modifications.

All information and all data in the Operator's Manual were applicable at the time the Operator's Manual was sent to



WARNING! Under no circumstances should you modify the original design of the machine without approval from the manufacturer. Always use original spare parts. Unauthorized modifications and/or accessories may lead to serious injury or death to the user or others.



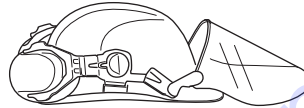
WARNING! The use of products such as cutters, grinders, drills, that sand or form material can generate dust and vapours which may contain hazardous chemicals. Check the nature of the material you intend to process and use an appropriate breathing mask.

Personal protective equipment

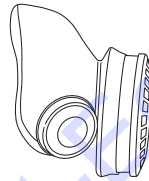


WARNING! You must use approved personal protective equipment whenever you use the machine. Personal protective equipment cannot eliminate the risk of injury but it will reduce the degree of injury if an accident does happen. Ask your dealer for help in choosing the right equipment.

- Protective helmet
- Hearing protection
- Protective goggles or a visor



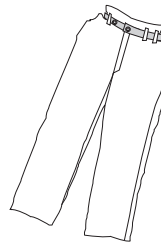
- Breathing mask



- Heavy-duty, firm grip gloves.



- Tight-fitting, heavy-duty and comfortable clothing that permits full freedom of movement.



- Boots with steel toe-caps and non-slip sole.



- Always have a first aid kit nearby.



SAFETY INSTRUCTIONS

General safety precautions

This section describes basic safety directions for using the machine. This information is never a substitute for professional skills and experience.

- Please read the operator's manual carefully and make sure you understand the instructions before using the machine.
- Keep in mind that it is you, the operator that is responsible for not exposing people or their property to accidents or hazards.
- The machine must be kept clean. Signs and stickers must be fully legible.

Work area safety

- Keep work area clean and well lit. Cluttered or dark areas invite accidents.
- People and animals can distract you causing you to lose control of the machine. For this reason, always remain concentrated and focused on the task.
- Do not use the machine in bad weather, such as dense fog, heavy rain, strong wind, intense cold, etc. Working in bad weather is tiring and can lead to dangerous conditions, e.g. slippery surfaces.
- Never start to work with the machine before the working area is clear and you have a firm foothold. Look out for any obstacles with unexpected movement. Ensure that no material can become loose and fall, causing injury when operating the machine.
- Always check the rear side of the surface where the drill bit will emerge when drilling right through. Secure and cordon off the area and make sure that no one can be injured or material damaged.

Use and care

- Wear personal protective equipment. See instructions under the heading "Personal protective equipment".
- Never use the machine if you are tired, if you have drunk alcohol, or if you are taking medication that could affect your vision, your judgement or your co-ordination.
- Check that no tools or other objects have been left lying on the machine.
- Never allow anyone else to use the machine without first ensuring that they have understood the contents of the operator's manual.
- Be careful as clothing, long hair, and jewellery can get caught in moving parts.
- Remain at a distance from the drill bit when the motor is running.
- Make sure that no pipes or electrical cables are routed in the area to be drilled.
- Never leave the machine unsupervised with the motor running.
- Never work alone, always ensure there is another person close at hand. Apart from being able to receive help to assemble the machine, you can also get help if an accident should occur.

- Never use a machine that is faulty. Carry out the checks, maintenance and service instructions described in this manual. Some maintenance and service measures must be carried out by trained and qualified specialists. See instructions under the heading Maintenance.
- Never use a machine that has been modified in any way from its original specification.
- Do not overload the machine. Overloading can damage the machine.
- Keep tools sharp and clean in order to enable safer work.
- Keep all parts in good working order and ensure that all fixtures are properly tightened.
- Keep the hydraulic hoses and couplings free from dirt. Do not use hoses that are distorted, worn or damaged.
- Check that all couplings, connections and hydraulic hoses are in full working order. Check that the hoses are connected correctly to the machine and that the hydraulic couplings lock as intended before pressurising the hydraulic system. The couplings are locked by turning the outer sleeve on the female coupling so that the slot moves away from the ball.
- Check the machine, couplings and hydraulic hoses daily for leakage. A rupture or leak can cause a "hydraulic fluid injection" in the body or result in other serious physical injury. Do not check for leakage with your hands. Contact with the leak can result in serious personal injury caused by the high pressure in the hydraulic system.
- Make sure the rotation control is set to OFF (0) before connecting the hydraulic hoses.
- Never disconnect the hydraulic hoses without first shutting off and disconnecting the hydraulic unit and ensuring the motors have stopped completely.
- Inspection and/or maintenance should be carried out with the hydraulic hoses disconnected.
- Do not exceed the specified hydraulic fluid flow or pressure for the tool being used. Excessive pressure or flow can result in rupturing.
- Observe care when lifting. You are handling heavy parts, which implies the risk of pinch injuries or other injuries.

Transport and storage

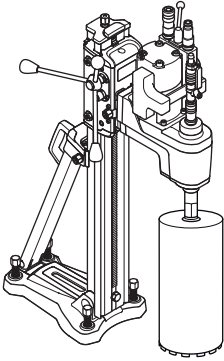
- Secure the equipment during transportation in order to avoid transport damage and accidents.
- Do not store or transport the drilling machine with the drill bit fitted in order to protect your drilling machine and drill bits from damage.
- Store the drilling machine in a lockable area so that it is out of reach of children and unauthorised persons.
- Store the drilling machine and stand in dry and frost free conditions.

SAFETY INSTRUCTIONS

Work safety

- The machine has a very high torque. This demands good concentration during work, as serious personal injuries can occur if the drill bit suddenly jams.
- Keep your hands at a safe distance from the drill spindle and drill bit when the machine is running.
- Keep an eye open for oil or water leakage. If water or oil trickles out from the leakage hole on the top of the pinion neck, the seals must be replaced.

Stand drilling

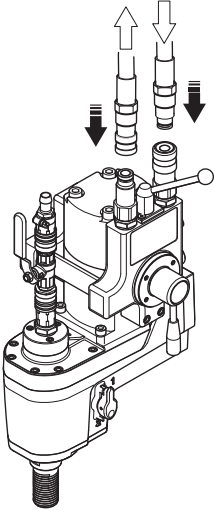


- The machine is intended for stand mounted drilling.
- Make sure that the stand is secured correctly.
- Make sure that the drilling machine is secured correctly in the stand.
- Take extra care during the start of the drilling when the drill bit is placed against the work piece. The drill bit does not have any guidance. This increases the risk for it starting to drift. This puts load onto the stand, with the risk of its fixing breaking loose.
- Be careful if the drill bit gets caught in the work piece. This puts load onto the stand, with the risk of its fixing breaking loose. This will cause the stand to start rotating around the drill bit.
- Make sure that the cooling water does not come into contact with an electrical cabinet or similar.

ASSEMBLING AND ADJUSTMENTS

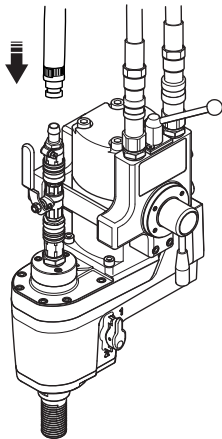
Connect the power unit

- The couplings should be wiped clean to reduce the risk of leakage before the hoses are fitted.
- The couplings are locked by turning the outer sleeve on the female coupling so that the slot moves away from the ball.



Connect the water cooling

- Connect the water hose to the incoming water connector.

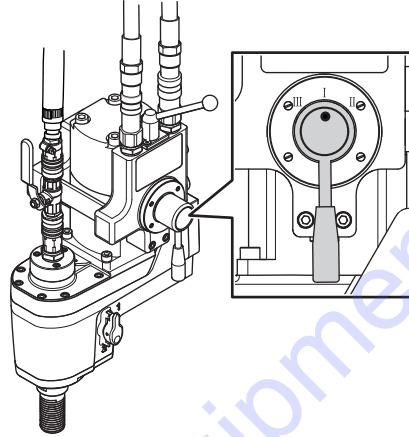


Fitting the drill bit

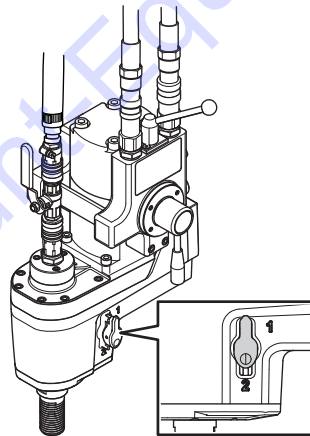
- Apply water-resistant grease to the thread of the drill bit.
- Attach the drill bit using the open-ended spanners.
- Before the machine is started, carefully check that the new bit is firmly attached.

Speed

- Set the right speed for the present diameter of the drill bit. See instructions in the section "Technical data".
- The hydraulic motor speed can be set in three positions. The motor speed can be changed during operation.



- The mechanical gearbox has two gears.



NOTICE! Changing mechanical gear may only be done when the machine is switched off. Otherwise there is a risk of damaging the gearbox.

STARTING AND STOPPING

Before starting



- Ensure you stand firmly. Keep people and animals well away from the working area.
- Check that all couplings, connections and hydraulic hoses are in full working order.

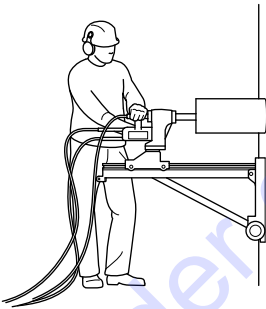
Make sure that:

- The machine and its equipment are correctly installed.
- The stand is properly fixed and that the drill is properly mounted on the stand.
- The drill is secured properly.
- Water cooling is undamaged and connected to the machine.
- Use suitable drill bits depending on whether water or dry drilling is being performed. In the event of uncertainty contact Discount-equipment.

Starting

NOTICE! Changing mechanical gear may only be done when the machine is switched off. Otherwise there is a risk of damaging the gearbox.

- Set the control for the hydraulic motor speed to position I.
- Turn on the water cooling.
- Start the rotation by turning the rotation control to ON (I).
- Carefully feed the drill bit in to obtain a good guidance.



Stopping



WARNING! The drill bit continues to rotate for a while after the motor has been switched off.

Do not stop the drill bit with your hands. Personal injuries can occur.

- Stop the rotation by setting the rotation control to OFF (0).
- Allow the motor to stop completely.
- Shut down the hydraulic unit.

MAINTENANCE

General



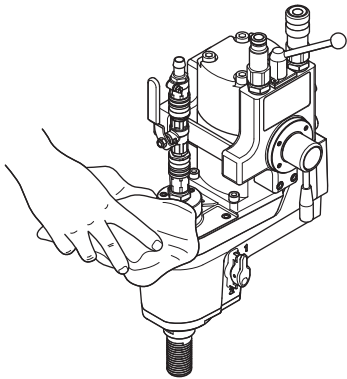
CAUTION! Inspection and/or maintenance should be carried out with the hydraulic hoses disconnected.

The lifetime of your machine can be extended considerably if it is used, cared for and maintained in the proper manner.

Cleaning



- Keep the machine and drill bit clean in order for drilling to be carried out safely.



- Keep the handle dry and free of grease and oil.
- Make sure to keep the connectors and pins clean. Clean with a rag or brush.

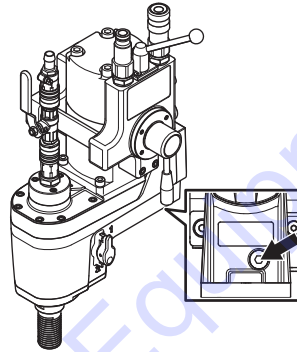
NOTICE! Do not use a high pressure washer to clean the machine.

Changing the gearbox oil



The oil should be replaced once a year or every 100 hours of operation. A container with sufficient oil quantity is supplied with the machine. Husqvarna Oil 220 is an environmentally adapted gear box oil for industrial use.

- Change the engine oil while the engine is hot.
- Place a suitable vessel to collect the oil in.
- Unscrew the oil plug and let the oil run out.



- Turn the machine with the oil hole facing upwards. Pour in a new bottle Husqvarna Oil 220.
- Wipe the threads and the oil plug clean and screw the plug back.

Daily maintenance



- Check that nuts and screws are tight.
- Clean the outside of the machine.
- Check that all couplings, connections and hydraulic hoses are in full working order.

Repairs



CAUTION! All types of repairs may only be carried out by authorised repairmen. This is so that the operators are not exposed to great risks.

TECHNICAL DATA

DM 406 H

Engine	Hydraulic motor
Weight, kg	17
Gear box oil, type	STATOIL LoadWay Bio SE 220
Volume gear box oil, dl	3
Pressure max, bar	140
Flow, l/min	40
Max. diameter drill bit, mm/inch	650/25

Water cooling

Spindle thread	G 1 1/4"
Water connector	G 1/4"
Water pressure - max, bar	8

Noise emissions (see note 1)

Sound power level, measured dB(A)	112
Sound power level, guaranteed dB(A)	113

Sound levels (see note 2)

Equivalent sound pressure level at the operator's ear, dB(A)	98
--	----

Vibration levels, a_{hV} (see note 3)

Handle, m/s^2	1,0
-----------------	-----

Note 1: Noise emissions in the environment measured as sound power (L_{WA}) in conformity with EN 12348.

Note 2: Noise pressure level according to EN 12348. Reported data for noise pressure level has a typical statistical dispersion (standard deviation) of 1.0 dB(A).

Note 3: Vibration level according to EN 12348. Reported data for vibration level has a typical statistical dispersion (standard deviation) of 1 m/s^2 .

Speed

Recommended drill bit size, mm	400-600	250-400	150-250	90-150	50-90	0-50
Recommended drill bit size, inch	16-24	10-16	6-10	4-6	2-4	0-2
Speed, rpm	120	230	340	580	980	1400
Mechanical gear	1	1	1	2	2	2
Speed, hydraulic motor	I	II	III	I	II	III

ACLARACIÓN DE LOS SÍMBOLOS

Símbolos en la máquina:

¡ATENCIÓN! La máquina, si se utiliza de forma errónea o descuidada, puede ser una herramienta peligrosa que puede causar daños graves e incluso la muerte al usuario y a otras personas.



Lea detenidamente el manual de instrucciones y asegúrese de entender su contenido antes de utilizar la máquina.



Utilice siempre:

- Casco protector homologado
- Protectores auriculares homologados
- Gafas protectoras o visor
- Máscara respiratoria



Este producto cumple con la directiva CE vigente.



Etiquetado ecológico. El símbolo en el producto o en su envase indica que no se puede tratar este producto como desperdicio doméstico.



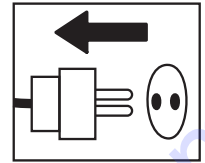
Haciendo que este producto sea manipulado adecuadamente, se ayuda a evitar consecuencias negativas potenciales para el medio ambiente y las personas, lo que puede ocurrir con la manipulación inadecuada como residuos del producto.

Para obtener información más detallada sobre el reciclado de este producto, contacte con la oficina municipal local, con el servicio de eliminación de desperdicios domésticos o con la tienda donde compró el producto.

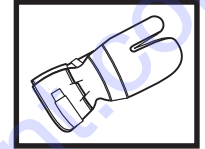
Los demás símbolos/etiquetas que aparecen en la máquina corresponden a requisitos de homologación específicos en determinados mercados.

Símbolos en el manual de instrucciones:

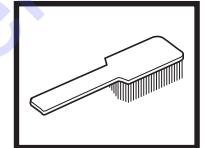
El control y/o mantenimiento de la máquina debe hacerse con el motor parado y el enchufe desenchufado.



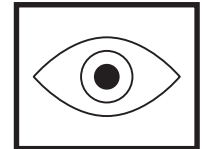
Utilice siempre guantes protectores homologados.



La máquina debe limpiarse regularmente.



Control visual.



Debe utilizarse gafas protectoras o visor.



ÍNDICE

Índice

ACLARACIÓN DE LOS SÍMBOLOS

Símbolos en la máquina: 14

Símbolos en el manual de instrucciones: 14

ÍNDICE

Índice 15

PRESENTACIÓN

DM 406 H 16

¿QUÉ ES QUÉ?

Componentes de la taladradora 17

INSTRUCCIONES DE SEGURIDAD

Medidas a tomar antes de utilizar una taladradora
nueva 18

Equipo de protección personal 18

Instrucciones generales de seguridad 19

MONTAJE Y AJUSTES

Conecte la unidad eléctrica 21

Conexión de la refrigeración por agua 21

Ajuste de la broca del taladro 21

Velocidad 21

ARRANQUE Y PARADA

Antes de arrancar 22

Arranque 22

Parada 22

MANTENIMIENTO

Generalidades 23

Limpieza 23

Cambio del aceite de la caja de cambios 23

Mantenimiento diario 23

Reparaciones 23

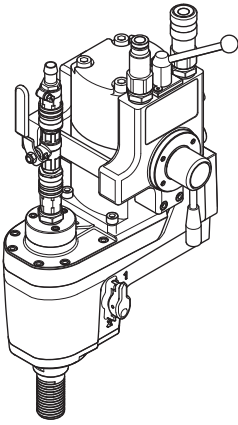
DATOS TÉCNICOS

Velocidad 24

Declaración CE de conformidad 25

PRESENTACIÓN

DM 406 H

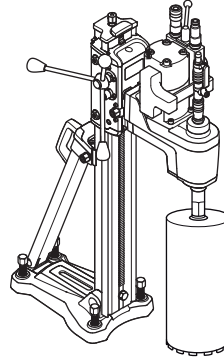


Esperamos que su máquina le proporcione plena satisfacción y le sirva de ayuda por mucho tiempo en adelante. Tenga en cuenta que este manual de instrucciones es un documento de valor. Siguiendo sus instrucciones (de uso, servicio, mantenimiento, etcétera) puede alargar considerablemente la vida útil de la máquina e incrementar su valor de reventa. Si vende su máquina, entregue el manual de instrucciones al nuevo propietario.

La adquisición de alguno de nuestros productos da acceso a asistencia profesional con reparaciones y servicio. Si la máquina no fue adquirida en un distribuidor oficial, preguntar en la tienda de compra la dirección del taller de servicio más cercano.

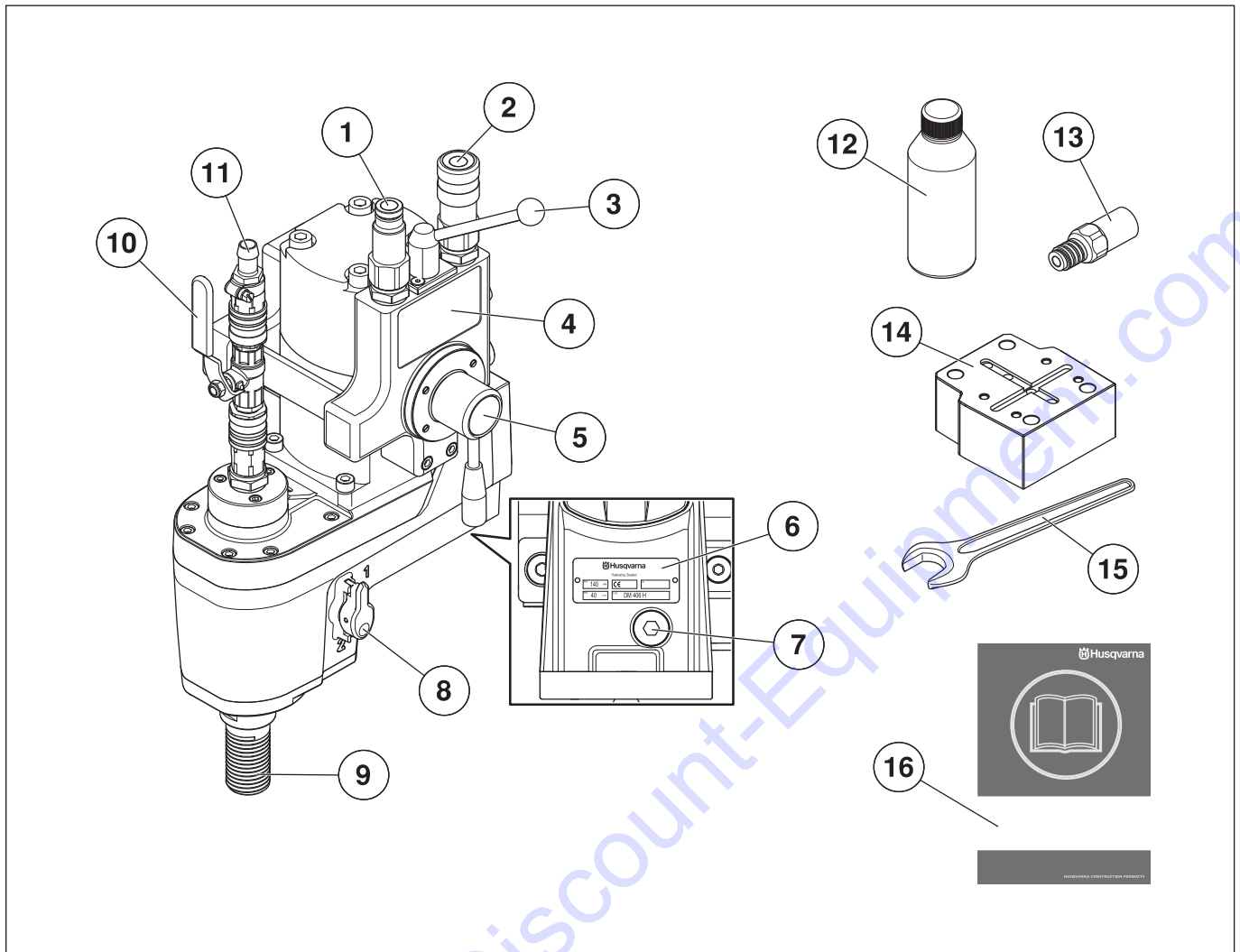
Husqvarna Construction Products se esfuerza constantemente por mejorar la construcción de sus productos. Por consiguiente, Husqvarna se reserva el derecho a introducir modificaciones de diseño sin previo aviso y sin compromisos ulteriores.

- La DM 406 H es una taladradora hidráulica destinada a perforar agujeros en hormigón, ladrillo y diferentes materiales pedregosos.
- La máquina está diseñada para perforación con soporte.



- Se recomiendan los siguientes soportes de taladro para el motor de la perforadora:
 - DS 50 AT/ATS/Gyro/COMBO/BASIC
 - DS 70 AT/ATS
 - DS 450
- Esta máquina está pensada para ser utilizada con la unidad de alimentación PP 325. Si se usa con otra unidad de alimentación, no debe superarse la presión y el flujo máximos especificados. Vea las instrucciones del apartado «Datos técnicos».
- La taladradora es de diseño modular y fácil de montar.
- La velocidad del motor hidráulico puede regularse en tres posiciones. La caja de cambios mecánica tiene dos velocidades. De este modo, se pueden configurar 6 velocidades de eje diferentes.
- La máquina tiene caja de cambios refrigerada por agua con un tubo que atraviesa el eje del husillo.

¿QUÉ ES QUÉ?



Componentes de la taladradora

- | | | | |
|---|---|----|---|
| 1 | Conexión de la manguera de retorno | 9 | Husillo de taladradora |
| 2 | Conexión de presión | 10 | Grifo de agua |
| 3 | Control de rotación («ON» / «OFF») | 11 | Conexión de agua |
| 4 | Tabla de velocidades | 12 | Botella de aceite (3 dl) |
| 5 | Ajuste del régimen del motor hidráulico | 13 | Manguito directo (1/4" UNC - CR 128 M), accesorio |
| 6 | Placa de características | 14 | Adaptador, accesorio |
| 7 | Tapón del aceite | 15 | Llave de tuercas, 36 mm |
| 8 | Manija de cambio | 16 | Manual de instrucciones |

INSTRUCCIONES DE SEGURIDAD

Medidas a tomar antes de utilizar una taladradora nueva

- No utilizar la taladradora sin antes haber leído y comprendido el contenido de este manual de instrucciones.
- La DM 406 H es una taladradora hidráulica destinada a perforar agujeros en hormigón, ladrillo y diferentes materiales pedregosos.
- La máquina está destinada al uso por operadores experimentados, en aplicaciones industriales. Cualquier otro uso será considerado como no específico de la máquina.

Emplee siempre el sentido común

Es imposible abarcar todas las situaciones imaginables que se pueden producir al utilizar una taladradora. Proceder siempre con cuidado y emplear el sentido común. El usuario debe evitar usar la máquina en aplicaciones para las que no se considere suficientemente calificado. Si después de leer estas instrucciones todavía hay inseguridad en cuanto al procedimiento de uso, consultar con un experto antes de proseguir. No dudar en ponerse en contacto con el distribuidor o con el fabricante si hay alguna duda en cuanto al empleo de la taladradora. Estamos a su disposición para dar consejos que ayuden a emplear la taladradora de forma mejor y más segura.

Encargar al distribuidor de Husqvarna la revisión regular de la taladradora y la realización de los ajustes y reparaciones necesarios.

Husqvarna Construction Products se esfuerza constantemente por mejorar la construcción de sus productos. Por consiguiente, Husqvarna se reserva el derecho a introducir modificaciones de diseño sin previo aviso y sin compromisos ulteriores.

Toda la información y todos los datos contenidos en este manual de instrucciones son vigentes en la fecha de impresión del manual.



¡ATENCIÓN! No está permitido modificar el diseño original de la máquina, por ningún motivo, sin la autorización del fabricante. Utilice siempre accesorios originales. Las modificaciones y/o el uso de accesorios no autorizados comportan riesgo de daños personales graves y peligro de muerte para el usuario y otras personas.



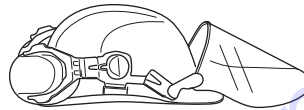
¡ATENCIÓN! El uso de productos que cortan, pulen, taladran, alisan o forman materiales puede generar polvo y vapores que pueden contener sustancias químicas dañinas. Averiguar la composición del material con que se trabaja y usar una máscara respiratoria adecuada.

Equipo de protección personal

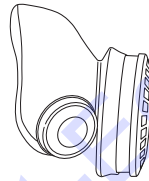


¡ATENCIÓN! Para trabajar con la máquina debe utilizarse un equipo de protección personal homologado. El equipo de protección personal no elimina el riesgo de lesiones, pero reduce su efecto en caso de accidente. Pida a su distribuidor que le asesore en la elección del equipo.

- Casco protector
- Protectores auriculares
- Gafas protectoras o visor



- Máscara respiratoria



- Guantes resistentes de agarre seguro.



- Prendas de vestir ceñidas, resistentes y cómodas que permitan una libertad de movimientos total.



- Botas con puntera de acero y suela antideslizante.



- Tenga siempre a mano el equipo de primeros auxilios.



INSTRUCCIONES DE SEGURIDAD

Instrucciones generales de seguridad

Este apartado trata las normas de seguridad básicas para trabajar con el dispositivo. Esta información no sustituye en ningún caso los conocimientos y la experiencia de un profesional.

- Lea detenidamente el manual de instrucciones y asegúrese de entender su contenido antes de utilizar la máquina.
- Tenga en cuenta que es usted, como usuario, el responsable de no exponer a riesgos o accidentes a las personas y a su propiedad.
- La máquina debe mantenerse limpia. Los letreros y las pegatinas deben ser legibles en su totalidad.

Seguridad en el área de trabajo

- Mantenga el área de trabajo limpia y bien iluminada. Las zonas abarrotadas de cosas u oscuras favorecen los accidentes.
- Las personas y los animales pueden distraer y hacer perder el control de la máquina. Por consiguiente, el operador debe estar siempre concentrado en su trabajo.
- No trabaje en condiciones atmosféricas desfavorables como niebla, lluvia intensa, tempestad, frío intenso, etc. Trabajar con mal tiempo es cansador y puede crear condiciones peligrosas, por ejemplo suelo resbaladizo.
- Antes de comenzar a trabajar con la máquina, controle siempre que el lugar esté libre y que los pies estén bien afirmados al terreno. Controle posibles obstáculos en caso de movimientos repentinos. Asegúrese de que no haya elementos que puedan caer y provocar daños al trabajar con la máquina.
- Controlar siempre la parte posterior de la superficie en la que sale la broca al penetrar. Impedir el acceso cercando la zona de trabajo y procurar que no haya riesgo de daños personales o materiales.

Uso y cuidado

- Utilice el equipo de protección personal. Vea las instrucciones bajo el título "Equipo de protección personal".
- Nunca utilice la máquina si está cansado, si ha ingerido alcohol o si toma medicamentos que puedan afectarle la vista, su capacidad de discernimiento o el control del cuerpo.
- Compruebe que no ha dejado ninguna herramienta u otro objeto sobre la máquina.
- Nunca deje que terceros utilicen la máquina sin asegurarse primero de que hayan entendido el contenido de este manual de instrucciones.
- Tener en cuenta que las ropas, el pelo largo y las joyas pueden atascarse en piezas móviles.
- Mantenerse apartado de la broca cuando el motor está en marcha.
- Comprobar que en la zona que se va a perforar no haya tuberías ni cables eléctricos instalados.

- No abandonar nunca la máquina sin vigilar, con el motor en marcha.
- Un operador nunca debe trabajar solo; siempre debe haber otra(s) persona(s) cerca. Así, además de tener ayuda para montar la máquina, también puede recibirse asistencia en caso de accidente.
- No utilice nunca una máquina defectuosa. Siga las instrucciones de mantenimiento, control y servicio de este manual. Algunas medidas de mantenimiento y servicio deben ser efectuadas por especialistas formados y cualificados. Vea las instrucciones bajo el título Mantenimiento.
- No utilice nunca una máquina que haya sido modificada de modo que ya no coincida con la configuración original.
- No sobrecargar la máquina. La sobrecarga puede dañar la máquina.
- Mantener las herramientas afiladas y limpias para que el trabajo sea más seguro.
- Mantener todas las piezas en perfecto estado y comprobar que todos los elementos de fijación estén bien apretados.
- Mantenga limpias de suciedad las mangueras y conexiones hidráulicas. No utilice mangueras torcidas, gastadas o defectuosas.
- Compruebe que todos los acoplamientos y conexiones, y las mangueras hidráulicas están intactos. Compruebe que las mangueras estén conectadas adecuadamente en la herramienta y que las conexiones hidráulicas cierren como es debido antes de presurizar el sistema hidráulico. Las conexiones se fijan girando el manguito exterior del acoplamiento hembra para apartar la ranura de la bola.
- Revise a diario la máquina, los acoplamientos y las mangueras hidráulicas para ver si hay fugas. Una grieta o rotura puede producir una 'inyección de aceite' en el cuerpo o daños personales graves de otro tipo. No hacer la búsqueda de fugas con la mano. El contacto con una fuga puede comportar daños personales graves causados por la presión alta del sistema hidráulico.
- Asegúrese de que el control de rotación está ajustado en «OFF» (0) antes de conectar las mangueras hidráulicas.
- No desacople nunca mangueras hidráulicas sin antes haber desactivado el equipo hidráulico y parado totalmente el motor.
- Los trabajos de control y/o mantenimiento deben efectuarse con las mangueras hidráulicas desacopladas.
- No se debe sobrepasar el caudal ni la presión de aceite especificados para las herramientas que se utilizan. Un caudal o presión demasiado altos pueden causar fugas o explosión.
- Proceda con cuidado en las elevaciones. Las piezas son pesadas, por lo que hay riesgo de daños por apriete y daños personales de otro tipo.

INSTRUCCIONES DE SEGURIDAD

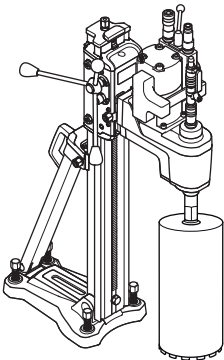
Transporte y almacenamiento

- Sujete bien el equipo durante el transporte para evitar daños y accidentes.
- Para proteger la taladradora y las brocas contra daños, no almacenar ni transportar la taladradora con la broca montada.
- Guardar la taladradora en un espacio cerrado con llave para que sea inaccesible a niños y personas no autorizadas.
- Guardar la taladradora y el soporte en un lugar seco y con temperatura sobre cero.

Seguridad en el trabajo

- La máquina tiene un par torsor muy alto. Esto requiere una gran concentración durante el trabajo debido al riesgo de daños personales graves si la broca se bloquea súbitamente.
- Mantener las manos apartadas del husillo de taladro y la broca cuando funciona la máquina.
- Prestar atención a las fugas de aceite o de agua. Si sale agua o aceite por el agujero de fuga de la parte superior del collar de accionamiento, hay que cambiar las juntas.

Perforación con soporte

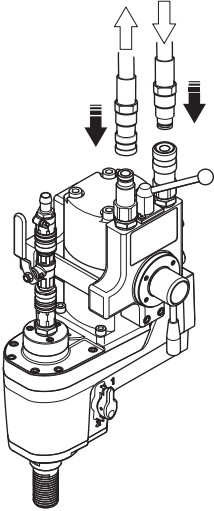


- La máquina está diseñada para perforación con soporte.
- Comprobar que el soporte está bien anclado.
- Comprobar que la taladradora está bien fijada en el soporte.
- Preste especial atención cuando comience a perforar al colocar la broca sobre la pieza que está trabajando. La broca no tiene ninguna guía, lo que aumenta el riesgo de desviación. Esto supone una carga para la base, lo que aumenta el riesgo de que se rompa la fijación.
- Tenga mucho cuidado si la broca se engancha en la pieza que está trabajando. Esto supone una carga para la base, lo que aumenta el riesgo de que se rompa la fijación. Esto hará que la base empiece a rotar alrededor de la broca.
- Asegúrese de que el agua de refrigeración no entre en contacto con un armario eléctrico o similar.

MONTAJE Y AJUSTES

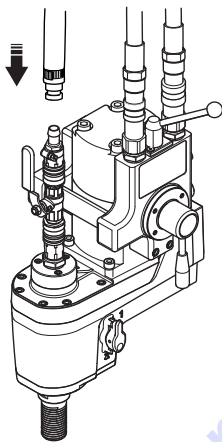
Conecte la unidad eléctrica

- Antes de montar las mangueras hay que limpiar los acoplamientos para reducir el riesgo de fugas.
- Las conexiones se fijan girando el manguito exterior del acoplamiento hembra para apartar la ranura de la bola.



Conexión de la refrigeración por agua

- Conecte la manguera de agua a la conexión de entrada de agua.

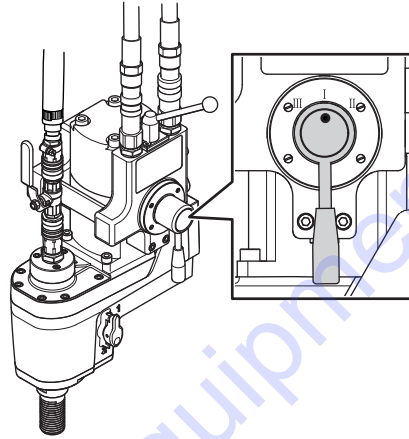


Ajuste de la broca del taladro

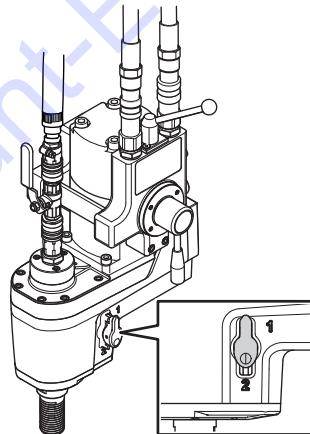
- Aplicar grasa hidrófuga en la rosca de la broca.
- Montar la broca con las llaves fijas.
- Antes de arrancar la máquina, comprobar que la broca nueva esté bien fijada.

Velocidad

- Configure la velocidad adecuada para el diámetro de la broca en cuestión. Vea las instrucciones del apartado «Datos técnicos».
- La velocidad del motor hidráulico puede regularse en tres posiciones. La velocidad del motor puede cambiarse en funcionamiento.



- La caja de cambios mecánica tiene dos velocidades.



AVISO El engranaje mecánico solo se debe cambiar con la máquina apagada. De lo contrario, existe el riesgo de dañar la caja de cambios.

ARRANQUE Y PARADA

Antes de arrancar



- El usuario debe mantener una postura firme. Asegúrese de que no haya terceros desautorizados en la zona de trabajo.
- Compruebe que todos los acoplamientos y conexiones, y las mangueras hidráulicas están intactos.

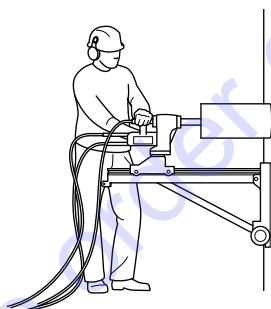
Comprobar que:

- La máquina y sus equipos están correctamente montados.
- La base está fijada correctamente y el taladro se encuentra sobre la base.
- La broca está bien fijada.
- La refrigeración por agua se encuentra conectada a la máquina y no está dañada.
- Utilizar una broca adecuada para perforación húmeda o en seco. En caso de inseguridad, consultar con el distribuidor, el taller de servicio o un usuario de taladradoras experimentado.

Arranque

AVISO El engranaje mecánico solo se debe cambiar con la máquina apagada. De lo contrario, existe el riesgo de dañar la caja de cambios.

- Coloque el control de la velocidad del motor hidráulico en la posición I.
- Activar la refrigeración por agua.
- Comience la rotación girando el control de rotación hasta «ON» (I).
- Introduzca cuidadosamente la broca para obtener una buena guía.



Parada



¡ATENCIÓN! La broca continúa girando unos instantes después de parar el motor.

No detener la broca con las manos. De hacerlo, hay riesgo de daños personales.

- Detenga la rotación girando el control de rotación hasta «OFF» (0).
- Espere a que el motor se pare totalmente.
- Desactive el equipo hidráulico.

MANTENIMIENTO

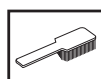
Generalidades



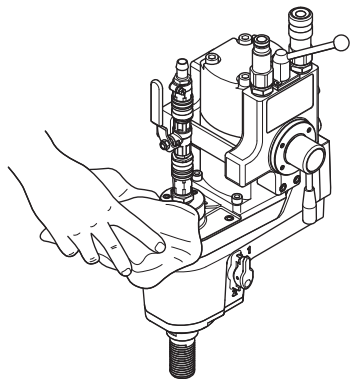
¡NOTA! Los trabajos de control y/o mantenimiento deben efectuarse con las mangueras hidráulicas desacopladas.

La vida útil de la máquina se alarga considerablemente si se utiliza, cuida y mantiene correctamente.

Limpieza



- Mantener limpia la máquina y la broca para que la perforación se pueda hacer de forma segura.



- Mantener la empuñadura seca y limpia de grasa y aceite.
- Asegúrese de que los conectores y los pines están limpios. Límpielos con un trapo o un cepillo.

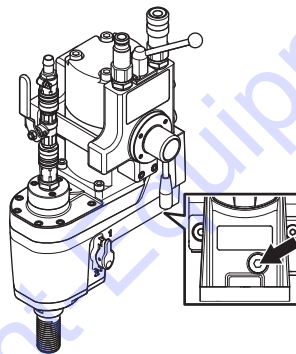
AVISO No utilice un equipo de limpieza a alta presión para limpiar la máquina.

Cambio del aceite de la caja de cambios



El aceite debe cambiarse una vez al año o cada 100 horas de funcionamiento. La entrega de la máquina incluye un recipiente con cantidad de aceite suficiente. El aceite 220 de Husqvarna es un aceite para cajas de cambios de uso industrial respetuoso con el medio ambiente.

- Cambie el aceite del motor mientras el motor esté caliente.
- Coloque un recipiente adecuado para recoger el aceite.
- Desenrosque el tapón del aceite y vacíe el aceite.



- Gire la máquina con el orificio del aceite hacia arriba. Vierta una botella nueva de aceite 220 de Husqvarna.
- Limpie la rosca y el tapón del aceite y vuelva a colocar el tapón.

Mantenimiento diario



- Compruebe que los tornillos y las tuercas estén apretados.
- Limpie la parte exterior de la máquina.
- Compruebe que todos los acoplamientos y conexiones, y las mangueras hidráulicas están intactos.

Reparaciones



¡NOTA! Las reparaciones de todo tipo deben ser efectuadas por técnicos autorizados, únicamente. De este modo se evita someter a los operadores a grandes riesgos.

DATOS TECNICOS

DM 406 H

Motor	Motor hidráulico
Peso, kg	17
Tipo de aceite de la caja de engranajes	STATOIL LoadWay Bio SE 220
Volumen de aceite de la caja de engranajes en dl	3
Presión máxima, bar	140
Flujo en l/min	40
Diámetro máximo de broca, mm/pulgadas	650/25

Refrigeración por agua

Rosca de husillo	G 1 1/4"
Conexión de agua	G 1/4'
Presión del agua - máx, bar	8

Emisiones de ruido (vea la nota 1)

Nivel de potencia acústica medido dB(A)	112
Nivel de potencia acústica garantizado dB(A)	113

Niveles acústicos (vea la nota 2)

Nivel de presión acústica equivalente en el oído del usuario, dB(A).	98
--	----

Niveles de vibraciones, a_{hv} (vea la nota 3)

Empuñadura, m/s^2	1,0
---------------------	-----

Nota 1: Emisiones sonoras en el entorno medidas como potencia sonora (L_{WA}) según la norma EN 12348.

Nota 2: Nivel de presión sonora conforme a EN 12348. Los datos referidos del nivel de presión sonora tienen una dispersión estadística habitual (desviación típica) de 1,0 dB (A).

Nota 3: Nivel de vibración conforme a EN 12348. Los datos referidos del nivel de vibración poseen una dispersión estadística habitual (desviación típica) de 1 m/s^2 .

Velocidad

Tamaño de broca recomendado, mm	400-600	250-400	150-250	90-150	50-90	0-50
Tamaño de broca recomendado, pulgadas	16-24	10-16	6-10	4-6	2-4	0-2
Velocidad, r/min	120	230	340	580	980	1400
Engranaje mecánico	1	1	1	2	2	2
Velocidad del motor hidráulico	I	II	III	I	II	III

TO PURCHASE THIS PRODUCT PLEASE CONTACT US



**Equipment Financing and
Extended Warranties Available**



**Discount-Equipment.com is your online resource for
commercial and industrial quality parts and equipment sales.**

561-964-4949

visit us on line @ www.discount-equipment.com

Select an option below to find your Equipment

Search by Manufacturer

Search by Product Type

Request a Quote

We sell worldwide for the brands: Genie, Terex, JLG, MultiQuip, Mikasa, Essick, Whiteman, Mayco, Toro Stone, Diamond Products, Generac Magnum, Airman, Haulotte, Barreto, Power Blanket, Nifty Lift, Atlas Copco, Chicago Pneumatic, Allmand, Miller Curber, Skyjack, Lull, Skytrak, Tsurumi, Husquvarna Target, Stow, Wacker, Sakai, Mi-T-M, Sullair, Basic, Dynapac, MBW, Weber, Bartell, Bennar Newman, Haulotte, Ditch Runner, Menegotti, Morrison, Contec, Buddy, Crown, Edco, Wyco, Bomag, Laymor, EZ Trench, Bil-Jax, F.S. Curtis, Gehl Pavers, Heli, Honda, ICS/PowerGrit, IHI, Partner, Imer, Clipper, MMD, Koshin, Rice, CH&E, General Equipment, Amida, Coleman, NAC, Gradall, Square Shooter, Kent, Stanley, Tamco, Toku, Hatz, Kohler, Robin, Wisconsin, Northrock, Oztec, Toker TK, Rol-Air, APT, Wylie, Ingersoll Rand / Doosan, Innovatech, Con X, Ammann, Mecalac, Makinex, Smith Surface Prep, Small Line, Wanco, Yanmar

SYMBOLERKLÄRUNG

Symbole am Gerät:

WARNUNG! Das Gerät kann falsch oder nachlässig angewendet gefährlich sein und zu schweren oder gar lebensgefährlichen Verletzungen des Benutzers oder anderer Personen führen.



Lesen Sie die Bedienungsanleitung sorgfältig durch und machen Sie sich mit dem Inhalt vertraut, bevor Sie das Gerät benutzen.



Benutzen Sie immer:

- Einen zugelassenen Schutzhelm
- Einen zugelassenen Gehörschutz
- Schutzbrille oder Visier
- Atemschutzmaske



Dieses Produkt stimmt mit den geltenden CE-Richtlinien überein.



Umweltkennzeichnung. Das Symbol auf dem Produkt oder der Verpackung gibt an, dass dieses Produkt nicht im Hausmüll entsorgt werden darf.



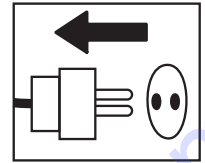
Durch eine korrekte Entsorgung dieses Produkts tragen Sie dazu bei, mögliche negative Auswirkungen auf Ihre Umwelt und Mitmenschen zu verhindern. Durch eine unsachgemäße Entsorgung dieses Produkts können Schäden entstehen.

Ausführliche Recyclinginformationen zu diesem Produkt erhalten Sie von Ihrer Kommune, Entsorgungsunternehmen für Hausmüll oder dem Geschäft, in dem Sie das Produkt erworben haben.

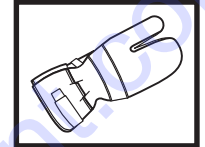
Sonstige Symbole/Aufkleber am Gerät beziehen sich auf spezielle Zertifizierungsanforderungen, die in bestimmten Ländern gelten.

Symbole in der Bedienungsanleitung:

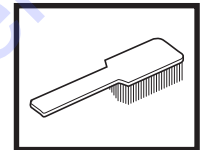
Kontrollen und/oder Wartungsarbeiten sind bei abgeschaltetem Motor und abgezogenem Stecker durchzuführen.



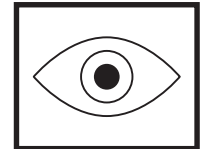
Stets zugelassene Schutzhandschuhe tragen.



Regelmäßige Reinigung ist notwendig.



Visuelle Kontrolle.



Schutzbrille oder Gesichtsschutz müssen benutzt werden.



INHALT

Inhalt

SYMBOLERKLÄRUNG

Symbole am Gerät: 26

Symbole in der Bedienungsanweisung: 26

INHALT

Inhalt 27

VORSTELLUNG

DM 406 H 28

WAS IST WAS?

Bestandteile der Bohrmaschine 29

SICHERHEITSVORSCHRIFTEN

Maßnahmen vor der Verwendung einer neuen Bohrmaschine 30

Persönliche Schutzausrüstung 30

Allgemeine Sicherheitsvorschriften 31

MONTAGE UND EINSTELLUNGEN

Aggregat anschließen 33

Wasserkühlung anschließen 33

Anbringen des Bohrbits 33

Drehzahl 33

STARTEN UND STOPPEN

Vor dem Start 34

Starten 34

Stoppen 34

WARTUNG

Allgemeines 35

Reinigung 35

Getriebeölwechsel 35

Tägliche Wartung 35

Reparaturen 35

TECHNISCHE DATEN

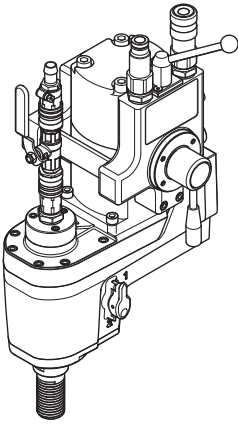
Drehzahl 36

EG-Konformitätserklärung 37

To order go to Discount-Equipment.com

VORSTELLUNG

DM 406 H

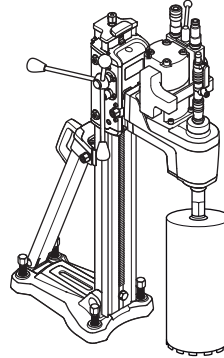


Wir hoffen, dass Sie mit Ihrer Maschine über lange Jahre zufrieden sein werden. Denken Sie daran, diese Bedienungsanleitung sicher aufzubewahren. Die genaue Befolgung ihres Inhalts (Verwendung, Service, Wartung usw.) verlängert die Lebensdauer der Maschine erheblich und erhöht zudem ihren Wiederverkaufswert. Sollten Sie Ihre Maschine verkaufen, händigen Sie dem neuen Besitzer bitte auch die Bedienungsanleitung aus.

Mit dem Erwerb unserer Produkte erhalten Sie professionelle Hilfe bei Reparaturen und Service. Haben Sie das Gerät nicht bei einem unserer Vertragshändler gekauft, fragen Sie dort nach der nächsten Servicewerkstatt.

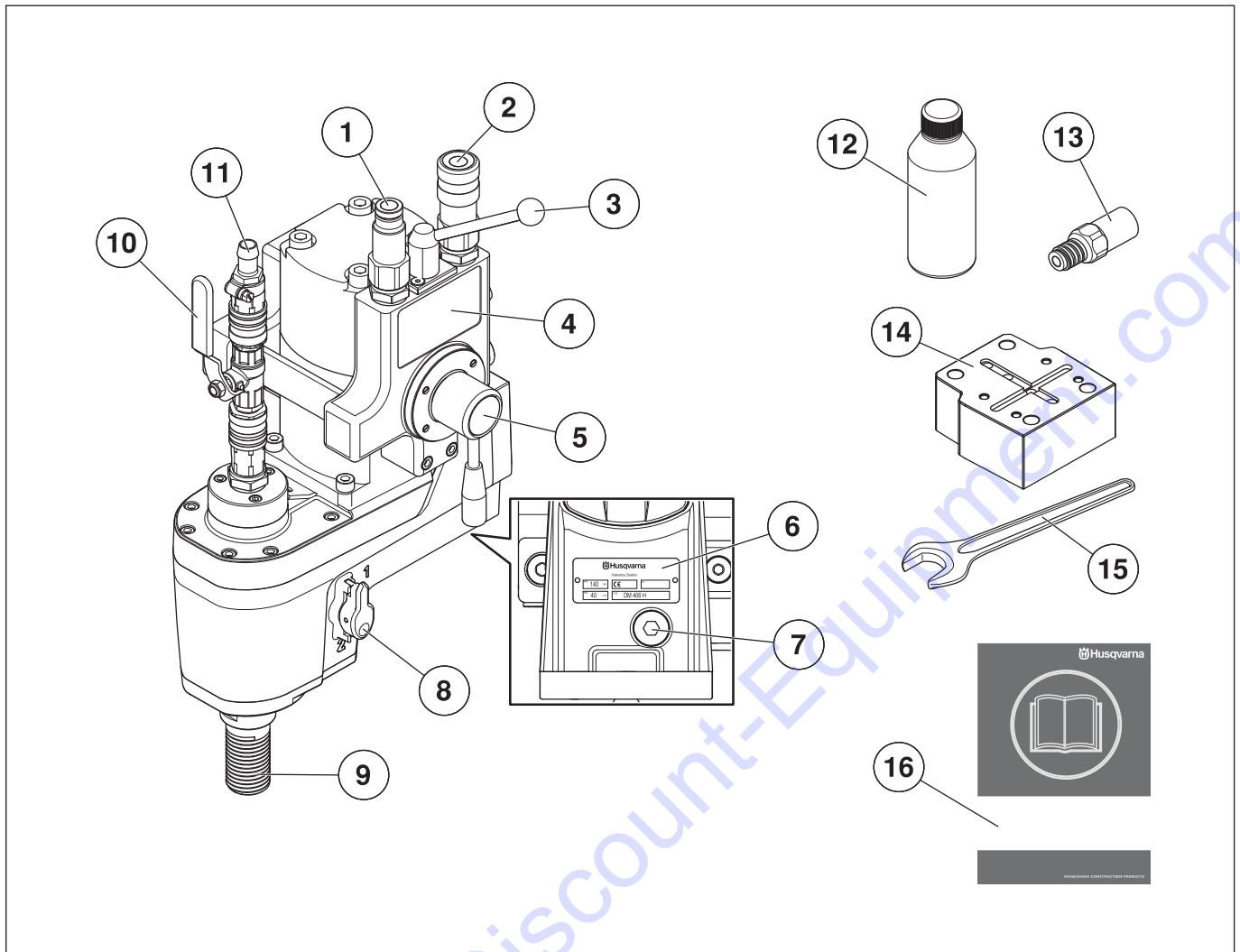
Husqvarna Construction Products ist stets bestrebt, die Konstruktion der Produkte zu verbessern. Husqvarna behält sich daher das Recht vor, ohne vorherige Ankündigung und ohne weitere Verpflichtungen Konstruktionsänderungen einzuführen.

- Bei dem DM 406 handelt es sich um einen hydraulischen Bohrmotor zum Bohren in Beton, Ziegelstein und verschiedenen anderen Gesteinen.
- Das Gerät ist für Bohrarbeiten mit Ständer vorgesehen.



- Die folgenden Bohrstände werden zur Verwendung mit dem Bohrmotor empfohlen:
 - DS 50 AT/ATS/Gyro/COMBO/BASIC
 - DS 70 AT/ATS
 - DS 450
- Das Gerät ist zum Einsatz mit dem Aggregat PP 325 vorgesehen. Beim Einsatz mit einem anderen Aggregat dürfen die Werte „Max. Durchfluss“ und „Max. Druck“ nicht überschritten werden. Siehe die Anweisungen unter der Überschrift "Technische Daten".
- Die Bohrmaschine ist modular aufgebaut und einfach zu montieren.
- Für den Hydraulikmotor sind drei Stellungen möglich. Das mechanische Getriebe verfügt über zwei Gänge. So können 6 unterschiedliche Spindeldrehzahlen eingestellt werden.
- Das Gerät arbeitet mit einem wassergekühlten Getriebe, dessen Leitung durch die Spindelachse führt.

WAS IST WAS?



Bestandteile der Bohrmaschine

- | | |
|------------------------------------|---|
| 1 Verbindung zum Rücklaufschlauch | 9 Bohrspindel |
| 2 Verbindung zum Druckschlauch | 10 Wasserhahn |
| 3 Drehbewegungsschalter, An/Aus | 11 Wasseranschluss |
| 4 Drehzahldiagramm | 12 Ölbehälter (3 dl) |
| 5 Drehzahlregelung, Hydraulikmotor | 13 Anschlusskupplung (1/4" UNC - CR 128 M), Zubehör |
| 6 Typenschild | 14 Adapter, Zubehör |
| 7 Ölschraube | 15 Gabelschlüssel, 36 mm |
| 8 Gangwählschalter | 16 Bedienungsanweisung |

SICHERHEITSVORSCHRIFTEN

Maßnahmen vor der Verwendung einer neuen Bohrmaschine

- Arbeiten mit der Bohrmaschine dürfen erst ausgeführt werden, wenn Sie zuvor den Inhalt dieser Bedienungsanleitung gelesen und verstanden haben.
- Bei dem DM 406 handelt es sich um einen hydraulischen Bohrmotor zum Bohren in Beton, Ziegelstein und verschiedenen anderen Gesteinen.
- Das Gerät ist für industrielle Anwendungen und die Benutzung durch erfahrene Bediener ausgelegt. Jeder sonstige Gebrauch der Maschine wird als Nutzung betrachtet, die dem bestimmungsgemäßen Gebrauch widerspricht.

Stets mit gesundem Menschenverstand arbeiten!

Es ist unmöglich, alle denkbaren Situationen zu beschreiben, die beim Gebrauch der Bohrmaschine auftreten könnten. Stets vorsichtig vorgehen und mit gesundem Menschenverstand arbeiten. Situationen vermeiden, denen Sie sich nicht gewachsen fühlen. Wenn Sie sich nach dem Lesen dieser Anweisungen immer noch unsicher fühlen, wie Sie vorgehen sollen, bitten Sie einen Fachmann um Rat, bevor Sie fortfahren. Zögern Sie nicht, Ihren Händler oder uns anzusprechen, wenn Sie Fragen zum Gebrauch der Bohrmaschine haben. Wir sind gerne für Sie da und helfen Ihnen beim optimalen und sicheren Einsatz Ihrer Bohrmaschine.

Ihr Husqvarna-Händler sollte die Bohrmaschine regelmäßig überprüfen und notwendige Einstellungen und Reparaturen vornehmen.

Husqvarna Construction Products ist stets bestrebt, die Konstruktion der Produkte zu verbessern. Husqvarna behält sich daher das Recht vor, ohne vorherige Ankündigung und ohne weitere Verpflichtungen Konstruktionsänderungen einzuführen.

Alle Informationen und Daten dieser Bedienungsanleitung galten zum Zeitpunkt der Drucklegung.



WARNUNG! Ohne Genehmigung des Herstellers dürfen an der Maschine unter keinen Umständen Konstruktionsänderungen vorgenommen werden. Stets Originalzubehör verwenden. Unzulässige Änderungen und/oder Zubehörteile können zu schweren Verletzungen oder tödlichen Unfällen von Anwendern oder anderen Personen führen.



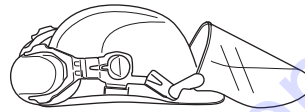
WARNUNG! Bei der Nutzung von Produkten, die schneiden, schleifen, bohren, feine Schleifvorgänge ausführen oder Material formen kann es zu einer Bildung von Staub und Dämpfen kommen, die schädliche chemische Substanzen enthalten. Informieren Sie sich über die Beschaffenheit des Materials, mit dem Sie arbeiten und tragen Sie einen geeigneten Atemschutz.

Persönliche Schutzausrüstung

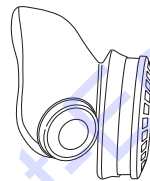


WARNUNG! Bei der Benutzung des Gerätes muss die vorgeschriebene persönliche Schutzausrüstung angewendet werden. Die persönliche Schutzausrüstung beseitigt nicht die Unfallgefahr, begrenzt aber den Umfang der Verletzungen und Schäden. Bei der Wahl der Schutzausrüstung einen Fachhändler um Rat fragen.

- Schutzhelm
- Gehörschutz
- Schutzbrille oder Visier



- Atemschutzmaske



- Feste, griffsichere Handschuhe.



- Eng anliegende, kräftige und bequeme Kleidung tragen, die volle Bewegungsfreiheit gewährt.



- Stiefel mit Stahlkappe und rutschfester Sohle.



- Ein Erste-Hilfe-Set soll immer griffbereit sein.



SICHERHEITSVORSCHRIFTEN

Allgemeine Sicherheitsvorschriften

In diesem Abschnitt werden grundlegende Sicherheitsregeln vorgestellt. Die folgenden Informationen sind kein Ersatz für das Wissen, das ein professioneller Anwender durch seine Ausbildung und praktische Erfahrung erworben hat.

- Lesen Sie die Bedienungsanweisung sorgfältig durch und machen Sie sich mit dem Inhalt vertraut, bevor Sie das Gerät benutzen.
- Denken Sie stets daran, dass Sie als Bediener für eventuell dadurch entstehende Sach- und Personenschäden verantwortlich sind.
- Die Maschine ist sauber zu halten. Die Lesbarkeit aller Schilder und Aufkleber muss gewährleistet werden.

Sicherheit im Arbeitsbereich

- Sorgen Sie für einen sauberen und gut ausgeleuchteten Arbeitsbereich. Durch zugestellte oder dunkle Arbeitsbereiche steigt die Unfallgefahr stark an.
- Menschen und Tiere können zu einer Ablenkung und damit zum Verlust der Kontrolle über das Gerät führen. Konzentration und Fokussierung auf die Aufgabe sind daher stets erforderlich.
- Vermeiden Sie es, das Gerät bei schlechtem Wetter zu benutzen. Z.B. bei dichtem Nebel, starkem Regen oder Wind, großer Kälte usw. Das Arbeiten bei schlechtem Wetter ist sehr ermüdend und kann gefährliche Umstände herbeiführen, z. B. Rutschgefahr.
- Beginnen Sie niemals mit der Arbeit, bevor der Arbeitsbereich frei ist und Sie einen sicheren Stand haben. Achten Sie auf eventuelle Hindernisse, die im Wege sein können, wenn Sie sich plötzlich bewegen müssen. Stellen Sie sicher, daß kein Material herunterfallen und Schäden verursachen kann.
- Stets die Rückseite der Fläche prüfen, die von der Bohrkronen durchbohrt wird. Arbeitsbereich sichern sowie absperren und sicherstellen, dass weder Menschen noch Material zu Schaden kommen.

Verwendung und Pflege

- Tragen Sie persönliche Schutzausrüstung. Siehe die Anweisungen unter der Überschrift "Persönliche Schutzausrüstung".
- Arbeiten Sie niemals mit dem Gerät, wenn Sie müde sind, Alkohol getrunken oder Medikamente eingenommen haben, da hierdurch Sehkraft, Urteilsvermögen oder Körperkontrolle beeinträchtigt werden können.
- Überprüfen Sie, ob keine Werkzeuge oder andere Objekte auf der Maschine liegengelassen wurden.
- Lassen Sie niemals jemand anderen das Gerät benutzen, ohne sich zu vergewissern, dass die Person den Inhalt der Bedienungsanweisung verstanden hat.
- Bedenken, dass Kleidung, langes Haar und Schmuck in beweglichen Teilen hängen bleiben können.
- Stets Abstand zur Bohrkronen halten, wenn der Motor läuft.
- Sicherstellen, dass keine Rohrleitungen oder Stromkabel im Bohrbereich verlaufen.

- Niemals das Gerät unbeaufsichtigt mit laufendem Motor stehen lassen.
- Niemals allein arbeiten. Es muss sich stets eine weitere Person in der Nähe befinden. Diese kann Ihnen bei der Gerätemontage sowie bei etwaigen Unfällen helfen.
- Niemals mit einem defekten Gerät arbeiten. Die Wartungs-, Kontroll- und Serviceanweisungen in dieser Bedienungsanweisung sind sorgfältig zu befolgen. Gewisse Wartungs- und Servicemaßnahmen sind von geschulten, qualifizierten Fachleuten auszuführen. Siehe die Anweisungen unter der Überschrift **Wartung**.
- Niemals mit einem Gerät arbeiten, das ohne Zustimmung des Herstellers modifiziert wurde und nicht länger mit der Originalausführung übereinstimmt.
- Das Gerät darf nicht überlastet werden. Eine Überlastung kann Schäden am Gerät verursachen.
- Scharfes und sauberes Werkzeug ist die Voraussetzung für sicheres Arbeiten.
- Alle Teile in funktionstauglichem Zustand halten und dafür sorgen, dass alle Befestigungsteile sorgfältig festgezogen sind.
- Hydraulikschläuche und Verbindungen sauberhalten. Verwenden Sie keine deformierten, verschlissenen oder beschädigten Schläuche.
- Sicherstellen, dass alle Verbindungen, Anschlüsse und Hydraulikschläuche unbeschädigt sind. Sicherstellen, dass die Schläuche korrekt an die Maschine angeschlossen sind und die Hydraulikkupplungen ordnungsgemäß verriegelt wurden, bevor das Hydrauliksystem unter Druck gesetzt wird. Um die Kupplungen zu verriegeln, die Außenhülse der Buchsenkupplung drehen, wodurch sich die Nut von der Kugel entfernt.
- Täglich die Maschine, alle Verbindungen und Hydraulikschläuche auf Undichtigkeiten überprüfen. Lecks oder Explosionen können zu einem Eindringen von Öl in den Körper oder anderen schweren Verletzungen führen. Suchen Sie nicht mit der Hand nach Undichtigkeiten. Bei Kontakt mit einem Leck können durch den hohen Druck im Hydrauliksystem schwere Personenschäden entstehen.
- Stellen Sie den Drehbewegungsschalter auf „Aus“ (0), bevor Sie die Hydraulikschläuche anschließen.
- Hydraulikschläuche dürfen erst abgenommen werden, nachdem das Hydraulikaggregat abgeschaltet wurde und der Motor zum Stillstand gekommen ist.
- Kontrollen und/oder Wartungsmaßnahmen sind mit getrennten Hydraulikschläuchen durchzuführen.
- Die für das jeweilige Werkzeug angegebenen Werte für den Öldurchfluss oder Öldruck nicht überschreiten. Ein zu hoher Durchfluss oder Druck kann zu Explosionen führen.
- Vorsicht beim Heben. Schweres Gerät bedeutet Klemmgefahr und Gefahr für andere Verletzungen.

SICHERHEITSVORSCHRIFTEN

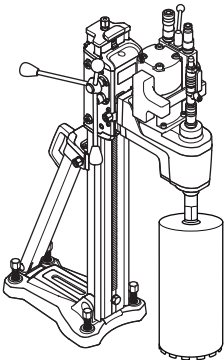
Transport und Aufbewahrung

- Achten Sie beim Transport der Schneidausrüstung darauf, dass diese nicht beschädigt wird.
- Um Bohrmaschine und Bohrer vor Beschädigungen zu schützen, das Gerät nicht mit angebrachter Bohrkronen verahren oder transportieren.
- Das Gerät in einem abschließbaren Bereich aufbewahren, wo es weder für Kinder noch für Unbefugte erreichbar ist.
- Bohrmaschine und Ständer trocken und frostfrei aufbewahren.

Arbeitssicherheit

- Das Gerät arbeitet mit einem sehr hohen Drehmoment. Daher ist höchste Konzentration beim Arbeiten erforderlich, denn ein plötzliches Blockieren des Bohrers kann zu schweren Verletzungen führen.
- Mit den Händen nicht zu nahe an die Bohrspindel kommen, wenn das Gerät läuft.
- Auf Öl- oder Wasserleckage achten. Wenn Öl oder Wasser aus der Leckageöffnung an der Oberseite des Spannhalses austritt, müssen die Dichtungen ausgewechselt werden.

Bohren mit Ständer

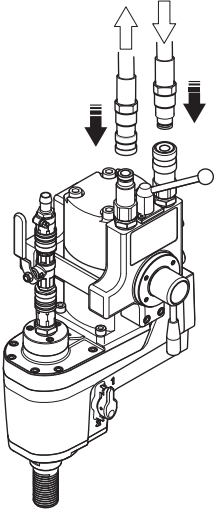


- Das Gerät ist für Bohrarbeiten mit Ständer vorgesehen.
- Sicherstellen, dass der Ständer korrekt verankert ist.
- Sicherstellen, dass die Bohrmaschine fest mit dem Ständer verbunden ist.
- Gehen Sie zu Beginn der Bohrarbeiten besonders vorsichtig vor, wenn das Bohrbit an dem zu bohrenden Gegenstand positioniert wird. Das Bohrbit verfügt über keine Lenkungsrichtung. Dadurch wird die Rutschgefahr erhöht. Da der Bohrerständer eine große Last schultern muss, besteht die Gefahr, dass sich dieser löst und außer Kontrolle gerät.
- Gehen Sie vorsichtig vor, wenn das Bohrbit im Gegenstand klemmt. Da der Bohrerständer eine große Last schultern muss, besteht die Gefahr, dass sich dieser löst und außer Kontrolle gerät. Der Bohrerständer könnte sich lösen und um das Bohrbit zu drehen beginnen.
- Das Kühlwasser darf nicht mit dem Schaltschrank oder anderen elektrischen Komponenten in Berührung kommen.

MONTAGE UND EINSTELLUNGEN

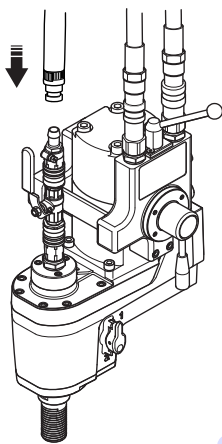
Aggregat anschließen

- Vor dem Anbringen der Schläuche sind die Kupplungen abzuwischen, um die Gefahr der Leckage zu reduzieren.
- Um die Kupplungen zu verriegeln, die Außenhülse der Buchsenkupplung drehen, wodurch sich die Nut von der Kugel entfernt.



Wasserkühlung anschließen

- Wasserschlauch an den Wassereinlassanschluss anschließen.

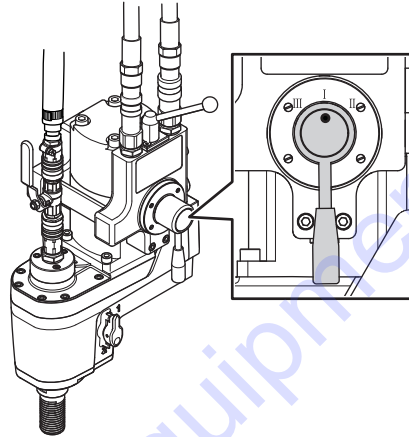


Anbringen des Bohrbits

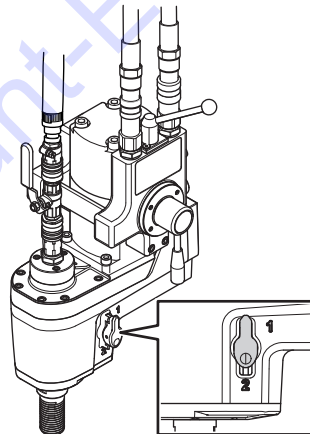
- Das Gewinde des Bohrers mit wasserfestem Fett bestreichen.
- Den Bohrer mithilfe der Schraubenschlüssel anbringen.
- Vor dem Start des Geräts sorgfältig prüfen, ob der neue Bohrer ganz fest sitzt.

Drehzahl

- Stellen Sie die Drehzahl ein, die dem Durchmesser des Bohrers entspricht. Siehe die Anweisungen unter der Überschrift "Technische Daten".
- Für den Hydraulikmotor sind drei Stellungen möglich. Die Motordrehzahl kann während des Betriebs umgestellt werden.



- Das mechanische Getriebe verfügt über zwei Gänge.



HINWEIS! Die mechanische Schaltung kann nur bei ausgeschaltetem Gerät betätigt werden. Andernfalls besteht die Gefahr, dass das Getriebe beschädigt wird.

STARTEN UND STOPPEN

Vor dem Start



- Auf eine stabile Körperhaltung achten. Sorgen Sie dafür, dass sich im Arbeitsbereich keine Unbefugten aufhalten.
- Sicherstellen, dass alle Verbindungen, Anschlüsse und Hydraulikschläuche unbeschädigt sind.

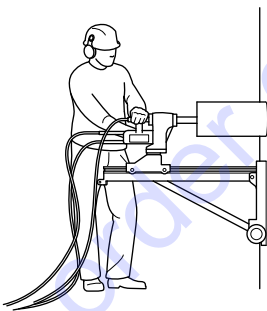
Folgendes sicherstellen:

- Das Gerät und die dazu gehörenden Ausrüstungsteile müssen korrekt montiert sein.
- Das Gestell ist ordnungsgemäß fixiert, und der Bohrer ordnungsgemäß auf dem Gestell montiert.
- Der Bohrer muss fest angezogen sein.
- Die Wasserkühlung weist keine Schäden auf und ist mit der Maschine verbunden.
- Je nach Nass- oder Trockenbohren eine geeignete Bohrkronen verwenden. Fragen Sie im Zweifelsfall Ihren Händler, Ihre Servicewerkstatt oder einen erfahrenen Benutzer.

Starten

HINWEIS! Die mechanische Schaltung kann nur bei ausgeschaltetem Gerät betätigt werden. Andernfalls besteht die Gefahr, dass das Getriebe beschädigt wird.

- Stellen Sie die Drehzahl des Hydraulikmotors auf Position I.
- Die Wasserkühlung drehen.
- Setzen Sie die Drehbewegung in Gang, indem Sie den Drehbewegungsschalter auf „An“ (I) stellen.
- Führen Sie das Bohrbit so hinein, dass es nicht herausrutschen kann.



Stoppen



WARNUNG! Die Bohrkronen drehen sich nach dem Abschalten des Motors noch eine Weile weiter.

Die Bohrkronen keinesfalls mit den Händen stoppen. Dadurch können Verletzungen auftreten.

- Stellen Sie die Drehbewegung ein, indem Sie den Drehbewegungsschalter auf „Aus“ (0) stellen.
- Den Motor ganz zum Stillstand kommen lassen.
- Hydraulikaggregat ausschalten.

Allgemeines



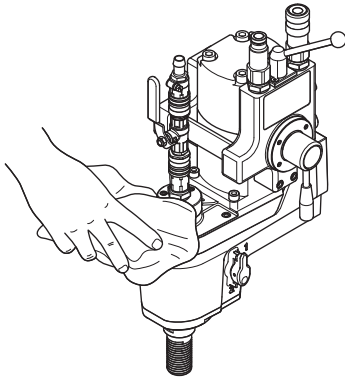
ACHTUNG! Kontrollen und/oder Wartungsmaßnahmen sind mit getrennten Hydraulikschläuchen durchzuführen.

Die Lebensdauer Ihres Geräts lässt sich erheblich verlängern, wenn es korrekt benutzt, gepflegt und gewartet wird.

Reinigung



- Gerät und den Bohrer sauber halten, um ein sicheres Bohren zu gewährleisten.



- Den Handgriff trocken, sauber und frei von Fett und Öl halten.
- Darauf achten, die Anschlüsse und Kontakte sauber zu halten. Mit einem Lappen oder Pinsel reinigen.

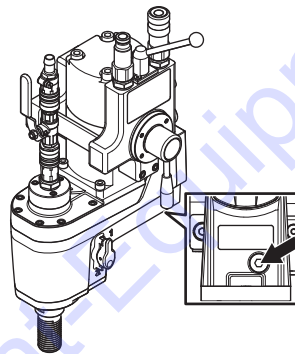
HINWEIS! Reinigen Sie das Gerät nicht mit einem Hochdruckreiniger.

Getriebeölwechsel



Das Öl muss einmal jährlich oder alle 100 Betriebsstunden ausgewechselt werden. Ein Behälter mit ausreichender Ölmenge ist im Lieferumfang der Maschine enthalten. Husqvarna Oil 220 ist ein umweltgerechtes Getriebeöl für den Industriegebrauch.

- Motoröl bei warmem Motor wechseln.
- Einen geeigneten Behälter aufstellen, um das Öl aufzufangen.
- Schrauben Sie die Ölschraube ab und lassen Sie das Öl austreten.



- Drehen Sie das Gerät so, dass die Öffnung nach oben zeigt. Füllen Sie den Behälter mit Husqvarna Oil 220.
- Wischen Sie Ölreste von Gewinde und Schraube weg und schrauben Sie die Öffnung wieder zu.

Tägliche Wartung



- Schrauben und Muttern nachziehen.
- Das Gerät äußerlich reinigen.
- Sicherstellen, dass alle Verbindungen, Anschlüsse und Hydraulikschläuche unbeschädigt sind.

Reparaturen



ACHTUNG! Sämtliche Reparaturen dürfen nur von autorisiertem Reparaturpersonal ausgeführt werden. Diese Vorschrift soll verhindern, dass der Bediener großen Gefahren ausgesetzt wird.

TECHNISCHE DATEN

DM 406 H

Motor	Hydraulikmotor
Gewicht, kg	17
Getriebeöl, Typ	STATOIL LoadWay Bio SE 220
Getriebeöl, Volumen (dl)	3
Druck, max, bar	140
Durchfluss, l/min	40
Max. Bohrkronendurchmesser, mm/Zoll	650/25

Wasserkühlung

Spindelgewinde	G 1 1/4"
Wasseranschluss	G 1/4 Zoll
Max. Wasserdruck, bar	8

Geräuschemissionen (siehe Anmerkung 1)

Gemessene Schalleistung dB(A)	112
Garantierte Schalleistung dB(A)	113

Lautstärke (siehe Anmerkung 2)

Äquivalenter Schalldruckwert am Ohr des Bedieners, dB (A) 98

Vibrationspegel, a_{hv} (siehe Anmerkung 3)

Handgriff, m/s^2 1,0

Anmerkung 1: Umweltbelastende Geräuschemission gemessen als Schalleistung (L_{WA}) gemäß EN 12348.

Anmerkung 2: Schalldruckpegel gemäß EN 12348. Berichten zufolge liegt der Schalldruckpegel normalerweise bei einer Ausbreitungsklasse (standardmäßige Ausbreitung) von 1,0 dB (A).

Anmerkung 3: Vibrationspegel gemäß EN 12348. Berichten zufolge liegt der Vibrationspegel normalerweise bei einer Ausbreitungsklasse (Standardabweichung) von 1 m/s^2 .

Drehzahl

Empfohlene Bohrergröße, mm	400-600	250-400	150-250	90-150	50-90	0-50
Empfohlene Bohrergröße, Zoll	16-24	10-16	6-10	4-6	2-4	0-2
Drehzahl, U/min	120	230	340	580	980	1400
Mechanisches Getriebe	1	1	1	2	2	2
Drehzahl, Hydraulikmotor	I	II	III	I	II	III

EXPLICATION DES SYMBOLES

Symboles sur la machine:

AVERTISSEMENT! La machine utilisée de manière imprudente ou inadéquate peut devenir un outil dangereux, pouvant causer des blessures graves voire mortelles à l'utilisateur et aux autres personnes présentes.



Lire attentivement et bien assimiler le manuel d'utilisation avant d'utiliser la machine.



Toujours utiliser:

- Casque de protection homologué
- Protecteurs d'oreilles homologués
- Lunettes protectrices ou visière
- Masque respiratoire



Ce produit est conforme aux directives CE en vigueur.



Marquage environnemental. Ce symbole figurant sur le produit ou sur son emballage indique que ce produit ne peut pas être traité comme déchet ménager.



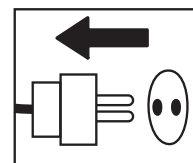
En veillant à ce que ce produit soit correctement éliminé, vous pouvez contribuer à prévenir les conséquences négatives potentielles sur l'environnement et les hommes, qui pourraient sinon être le résultat d'un traitement incorrect des déchets de ce produit.

Pour des informations plus détaillées sur le recyclage de ce produit, contactez votre commune ou le magasin où vous avez acheté le produit.

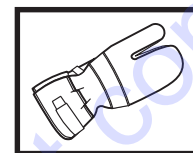
Les autres symboles/autocollants présents sur la machine concernent des exigences de certification spécifiques à certains marchés.

Symboles dans le manuel:

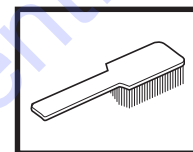
Les contrôles et/ou les entretiens doivent être effectués avec le moteur à l'arrêt et la prise électrique débranchée.



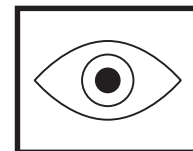
Toujours porter des gants de protection homologués.



Un nettoyage régulier est indispensable.



Examen visuel.



Porter des lunettes protectrices ou une visière.



SOMMAIRE

Sommaire

EXPLICATION DES SYMBOLES

Symboles sur la machine:	38
Symboles dans le manuel:	38

SOMMAIRE

Sommaire	39
----------------	----

PRÉSENTATION

DM 406 H	40
----------------	----

QUELS SONT LES COMPOSANTS?

Quels sont les composants de la perceuse?	41
---	----

INSTRUCTIONS DE SÉCURITÉ

Mesures à prendre avant d'utiliser une perceuse neuve	42
Équipement de protection personnelle	42
Instructions générales de sécurité	43

MONTAGE ET RÉGLAGES

Branchez le groupe moteur	45
Raccordez l'eau de refroidissement	45
Positionnement du foret	45
Régime	45

DÉMARRAGE ET ARRÊT

Avant de démarrer la machine	46
Démarrage	46
Arrêt	46

ENTRETIEN

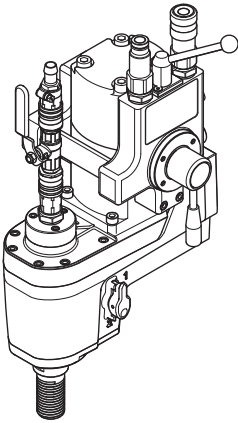
Généralités	47
Nettoyage	47
Remplacement de l'huile de la boîte de vitesses	47
Entretien quotidien	47
Réparations	47

CARACTÉRISTIQUES TECHNIQUES

Régime	48
Assurance de conformité UE	49

PRÉSENTATION

DM 406 H

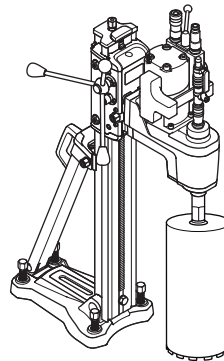


Nous espérons que cette machine vous donnera toute satisfaction et qu'elle vous accompagnera pendant de longues années. N'oubliez pas que ce manuel d'utilisation est important. En suivant les instructions qu'il contient (utilisation, révision, entretien, etc.), il est possible d'allonger considérablement la durée de vie de la machine et d'augmenter sa valeur sur le marché de l'occasion. En cas de vente de la machine, ne pas oublier de remettre le manuel d'utilisation au nouveau propriétaire.

L'achat de l'un des nos produits garantit une assistance professionnelle pour l'entretien et les réparations. Si la machine n'a pas été achetée chez l'un de nos revendeurs autorisés, demandez l'adresse de l'atelier d'entretien le plus proche.

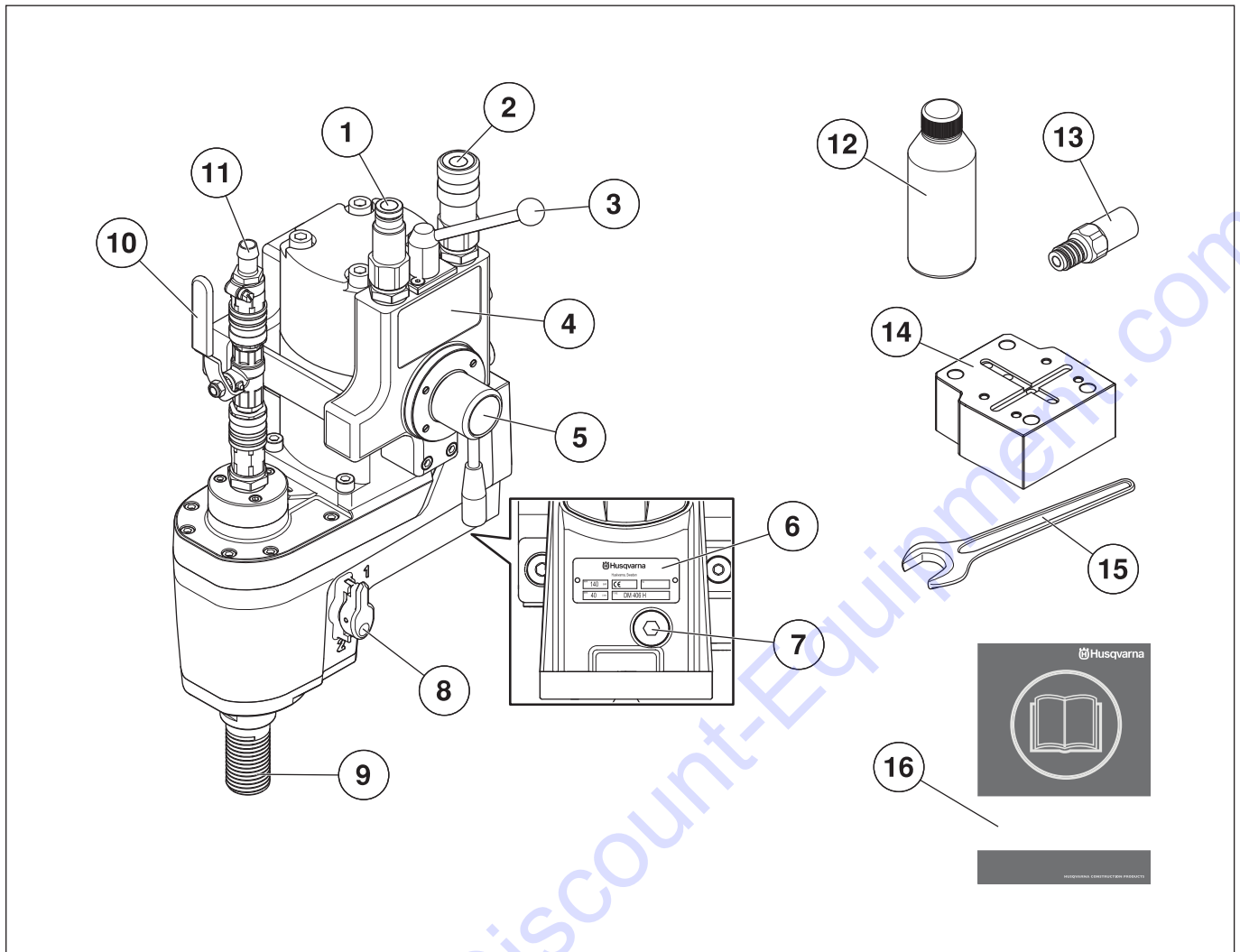
Husqvarna Construction Products travaille constamment à améliorer la construction de ses produits. Husqvarna se réserve donc le droit de procéder à des modifications de construction sans avis préalable et sans autres engagements.

- La DM 406 est un moteur de foret hydraulique destiné au forage de béton, de brique ou de divers matériaux à base de pierre.
- Cette machine est conçue pour être montée sur un support.



- Les forets Husqvarna suivants sont recommandés pour l'utilisation avec le moteur de forage :
 - DS 50 AT/ATS/Gyro/COMBO/BASIC
 - DS 70 AT/ATS
 - DS 450
- Cette machine est conçue pour être utilisée avec l'unité électrique PP 325. Si elle est utilisée avec une autre unité électrique, il convient de ne pas dépasser le débit et la pression maximum indiqués. Voir les instructions au chapitre « Caractéristiques techniques ».
- La perceuse est constituée de modules et facile à monter.
- La vitesse du moteur hydraulique peut être réglée dans trois positions. La boîte de vitesses mécanique est équipée de deux vitesses. Il est ainsi possible de régler 6 vitesses de tige différentes.
- La machine comporte une boîte de vitesses refroidie par eau avec un conducteur qui traverse l'arbre de la broche.

QUELS SONT LES COMPOSANTS?



Quels sont les composants de la perceuse?

- | | |
|--|--|
| 1 Raccord de tuyau de retour | 9 Broche |
| 2 Raccord de pression | 10 Robinet d'eau |
| 3 Commande de rotation, on/off | 11 Raccord de l'eau |
| 4 Tableau de vitesse | 12 Bouteille d'huile (3 dl) |
| 5 Régulation du régime (vitesse), moteur hydraulique | 13 Raccord de jonction (1/4" UNC - CR 128 M), accessoire |
| 6 Plaque signalétique | 14 Adaptateur, accessoire |
| 7 Bouchon de remplissage d'huile | 15 Clé plate, 36 mm |
| 8 Sélecteur de vitesse | 16 Manuel d'utilisation |

INSTRUCTIONS DE SÉCURITÉ

Mesures à prendre avant d'utiliser une perceuse neuve

- Ne travaillez pas avec la perceuse sans avoir lu et compris au préalable le contenu de ce manuel d'utilisation.
- La DM 406 est un moteur de foret hydraulique destiné au forage de béton, de brique ou de divers matériaux à base de pierre.
- La machine est conçue pour des applications industrielles et destinée à des opérateurs expérimentés. Toute autre utilisation est considérée comme contraire à l'utilisation prévue.

Utilisez toujours votre bon sens

Il est impossible de prévoir toutes les situations que vous pouvez rencontrer lorsque vous utilisez une perceuse. Soyez toujours prudent et utilisez votre bon sens. Évitez les situations que vous n'êtes pas sûr de maîtriser. Si, après avoir lu ces instructions, vous n'êtes toujours pas sûr de la procédure à suivre, demandez conseil à un expert avant de poursuivre. N'hésitez pas à prendre contact avec votre revendeur ou avec nous si vous avez des questions sur l'utilisation de la perceuse. Nous sommes à votre disposition et vous conseillons volontiers pour vous aider à mieux utiliser votre perceuse en toute sécurité.

Laissez au revendeur Husqvarna le soin de contrôler régulièrement la perceuse et d'effectuer les réglages et les réparations nécessaires.

Husqvarna Construction Products travaille constamment à améliorer la construction de ses produits. Husqvarna se réserve donc le droit de procéder à des modifications de construction sans avis préalable et sans autres engagements.

Toutes les informations et toutes les données indiquées dans ce manuel d'utilisation étaient valables à la date à laquelle ce manuel a été porté à l'impression.



AVERTISSEMENT! Ne jamais modifier, sous aucun prétexte, la construction initiale de la machine sans l'autorisation du fabricant. N'utiliser que des accessoires et des pièces d'origine. Toute modification non autorisée et/ou tout emploi d'accessoires non homologués peuvent provoquer des accidents graves voire mortels pour l'utilisateur et les autres.



AVERTISSEMENT! L'utilisation de produits tels que des ciseaux, des disques, des forets, des disques fins ou des formes peut générer de la poussière et des vapeurs pouvant contenir des substances chimiques toxiques. Vérifiez la composition du matériel avec lequel vous travaillez et portez un masque respiratoire adapté.

Équipement de protection personnelle

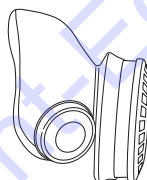


AVERTISSEMENT! Un équipement de protection personnelle homologué doit impérativement être utilisé lors de tout travail avec la machine. L'équipement de protection personnelle n'élimine pas les risques mais réduit la gravité des blessures en cas d'accident. Demander conseil au concessionnaire afin de choisir un équipement adéquat.

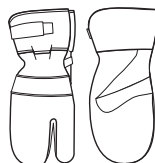
- Casque de protection
- Protecteur d'oreilles
- Lunettes protectrices ou visière



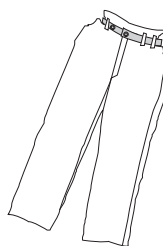
- Masque respiratoire



- Gants solides permettant une prise sûre.



- Vêtements confortables, robustes et serrés qui permettent une liberté totale de mouvement.



- Bottes avec coquille en acier et semelle antidérapante.



- Une trousse de premiers secours doit toujours être disponible.



INSTRUCTIONS DE SÉCURITÉ

Instructions générales de sécurité

Le présent chapitre décrit les consignes de sécurité de base relatives à l'utilisation de la machine. Aucune de ces informations ne peut remplacer l'expérience et le savoir-faire d'un professionnel.

- Lire attentivement et bien assimiler le manuel d'utilisation avant d'utiliser la machine.
- N'oubliez pas que c'est vous, l'opérateur, qui êtes responsable de protéger les tiers et leurs biens de tout accident ou danger.
- La machine doit rester propre. Les signes et autocollants doivent être parfaitement lisibles.

Sécurité dans l'espace de travail

- Maintenir un espace de travail propre et bien éclairé. Les espaces encombrés ou sombres exposent à des accidents.
- Des personnes ou des animaux peuvent détourner l'attention de l'opérateur et l'amener à perdre le contrôle de la machine. C'est pourquoi l'opérateur doit toujours être attentif et concentré sur son travail.
- Ne pas travailler par mauvais temps: brouillard épais, pluie diluvienne, vent violent, grand froid, etc. Travailler par mauvais temps est fatiguant et peut créer des conditions de travail dangereuses telles que le verglas.
- Ne jamais commencer à travailler avec la machine sans avoir le champ libre et les pieds bien d'aplomb. Identifier les obstacles éventuels dans le cas de déplacement inattendu. S'assurer qu'aucun matériau ne risque de tomber et de provoquer des blessures ou des dommages lors de travail avec la machine.
- Contrôlez toujours la partie arrière de la surface traversée par le trépan. Délimitez la zone de travail et vérifiez que personne ne peut être blessé ni aucun matériau endommagé.

Utilisation et entretien

- Utiliser les équipements de protection personnelle. Voir au chapitre "Équipement de protection personnelle".
- Éviter d'utiliser la machine en cas de fatigue, d'absorption d'alcool ou de prise de médicaments susceptibles d'affecter l'acuité visuelle, le jugement ou la maîtrise du corps.
- Vérifiez qu'aucun outil ou autre objet n'a été posé sur la machine.
- Ne jamais laisser d'autres personnes utiliser la machine sans s'être assuré au préalable que ces personnes ont bien compris le contenu du mode d'emploi.
- Attention! Les habits, les cheveux longs et les bijoux peuvent se coincer dans les parties en mouvement.
- Tenez-vous à bonne distance du trépan quand le moteur tourne.
- Vérifiez qu'aucun tuyau ni câble électrique ne traverse la zone de travail.
- Ne laissez jamais la machine sans surveillance avec le moteur en marche.

- Ne travaillez jamais seul, mais toujours avec une personne à proximité. Cette personne peut aider à monter la machine, mais aussi intervenir en cas d'accident.
- Ne jamais utiliser une machine qui n'est pas en parfait état de marche. Suivre dans ce manuel d'utilisation les instructions de maintenance, de contrôle et d'entretien. Certaines mesures de maintenance et d'entretien doivent être confiées à un spécialiste dûment formé et qualifié. Voir au chapitre Entretien.
- Ne jamais utiliser une machine qui a été modifiée au point de ne plus être conforme au modèle original.
- Ne sollicitez pas la machine excessivement. Une surcharge peut endommager la machine.
- Utilisez toujours des outils aiguisés et propres pour augmenter la sécurité pendant le travail.
- Assurez-vous que toutes les pièces sont en état de fonctionnement et que tous les éléments de fixation sont correctement serrés.
- Maintenez les flexibles hydrauliques et les raccords propres. Ne pas utiliser de tuyaux tordus, usés ou endommagés.
- Contrôlez que tous les raccords, connexions et flexibles hydrauliques sont intacts. Contrôlez que les flexibles sont raccordés correctement à la machine et que les raccords hydrauliques se verrouillent comme prévu avant de mettre le système hydraulique sous pression. Pour verrouiller les raccords, tournez la douille extérieure du raccord femelle afin que la rainure s'éloigne de la boule.
- Contrôlez tous les jours que la machine, les raccords et les flexibles hydrauliques ne présentent pas de fuites. Toute fissure ou fuite risque d'entraîner une « injection d'huile » dans le corps ou de causer une blessure corporelle grave. Ne jamais essayer de localiser une fuite avec la main. Le contact avec une fuite peut causer des blessures personnelles graves en raison de la pression élevée du système hydraulique.
- Assurez-vous que la commande de rotation est réglée en position OFF (0) avant de raccorder les tuyaux hydrauliques.
- Ne débranchez jamais les flexibles hydrauliques avant d'avoir arrêté l'unité hydraulique et avant que le moteur ne se soit complètement arrêté.
- Tout contrôle et/ou entretien doit être effectué avec les tuyaux hydrauliques débranchés.
- Ne dépassez pas le débit et la pression d'huile recommandés pour l'outil utilisé. Un débit ou une pression trop élevés peut causer des fissures.
- Faites preuve de prudence en cas de levage. Le maniement de pièces lourdes implique un risque de coincage ou autre blessure.

INSTRUCTIONS DE SÉCURITÉ

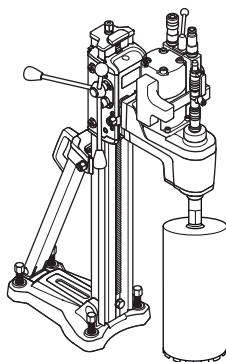
Transport et rangement

- Sécurisez l'équipement lors du transport afin d'éviter tout dommage ou accident.
- Pour éviter d'endommager la perceuse et le foret, ne stockez ni ne transportez la perceuse avec le trépan monté.
- Stockez la perceuse dans un endroit verrouillable à clé, de façon à ce qu'elle soit inaccessible aux enfants ainsi qu'aux personnes non autorisées.
- Stockez la perceuse et le support dans un endroit sec et à l'abri du gel.

Sécurité du travail

- La machine présente un couple très élevé. Une concentration élevée est requise dans ce cas pendant le travail car le blocage soudain du foret peut entraîner des blessures graves.
- Gardez les mains éloignées de la broche et percez lorsque la machine tourne.
- Attention aux fuites d'huile et d'eau. En cas de fuite d'eau ou d'huile par l'orifice d'évacuation situé sur la partie supérieure du collet, les joints d'étanchéité doivent être remplacés.

Perçage avec support

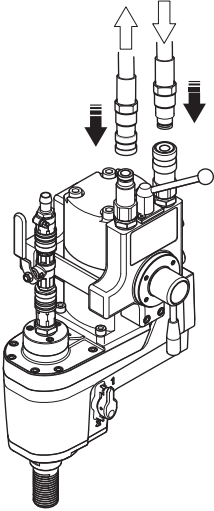


- Cette machine est conçue pour être montée sur un support.
- Assurez-vous que le support est bien ancré.
- Assurez-vous que la perceuse est correctement fixée sur le support.
- Soyez particulièrement prudent lors du démarrage du forage lorsque le foret est placé contre la pièce. Le foret n'est pas guidé. Cela augmente donc le risque qu'il commence à dévier. Cela met une pression sur le bâti et risque donc de briser ses fixations.
- Soyez prudent si le foret se coince dans la pièce. Cela met une pression sur le bâti et risque donc de briser ses fixations. Cela va faire tourner le bâti autour du foret.
- Assurez-vous que l'eau de refroidissement n'entre pas en contact avec une armoire électrique ou un élément similaire.

MONTAGE ET RÉGLAGES

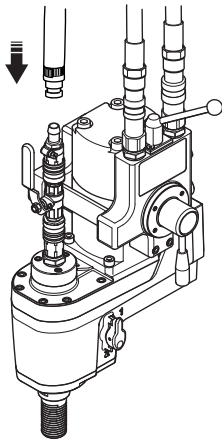
Branchez le groupe moteur

- Avant de monter les flexibles, essayez les raccordements pour réduire le risque de fuite.
- Pour verrouiller les raccords, tournez la douille extérieure du raccord femelle afin que la rainure s'éloigne de la boule.



Raccordez l'eau de refroidissement

- Raccorder le flexible à eau au connecteur d'arrivée d'eau.

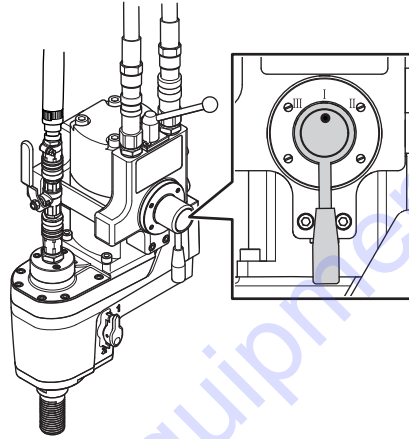


Positionnement du foret

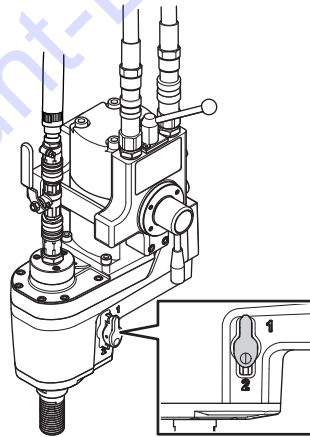
- Étalez de la graisse résistant à l'eau sur le filetage du foret.
- Montez le foret à l'aide des clés à ouverture fixe.
- Avant de démarrer la machine, vérifiez que le nouveau foret est solidement fixé.

Régime

- Réglez la vitesse adaptée au diamètre du foret présent. Voir les instructions au chapitre « Caractéristiques techniques ».
- La vitesse du moteur hydraulique peut être réglée dans trois positions. La vitesse du moteur peut être modifiée en fonctionnement.



- La boîte de vitesses mécanique est équipée de deux vitesses.



ATTENTION ! La boîte de vitesses mécanique ne peut être remplacée que si la machine est éteinte. Dans le cas contraire, elle risque d'être endommagée.

DÉMARRAGE ET ARRÊT

Avant de démarrer la machine



- Tenez-vous debout fermement. Veiller à ce qu'aucune personne non autorisée ne se trouve dans la zone la travail.
- Contrôlez que tous les raccords, connexions et flexibles hydrauliques sont intacts.

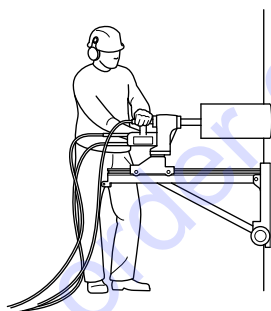
Effectuez les contrôles suivants:

- La machine et son équipement sont montés correctement.
- Le bâti soit fixé de façon adéquate et à ce que la perceuse soit montée correctement sur le bâti.
- Le trépan est fixé correctement.
- Le refroidissement à l'eau n'est pas endommagé et est connecté à la machine.
- Utilisez un trépan adapté au perçage à l'eau ou à sec. En cas de doute, adressez-vous au revendeur, à l'atelier de réparation ou à un utilisateur expérimenté.

Démarrage

ATTENTION ! La boîte de vitesses mécanique ne peut être remplacée que si la machine est éteinte. Dans le cas contraire, elle risque d'être endommagée.

- Réglez la commande de vitesse du moteur hydraulique en position I.
- Activez le refroidissement par eau.
- Démarrez la rotation en réglant la commande de rotation en position ON (I).
- Insérez le foret avec précaution afin d'obtenir un bon guidage.



Arrêt



AVERTISSEMENT! Le trépan continue à tourner un moment après l'arrêt du moteur.

N'arrêtez pas le trépan avec les mains. Il peut en résulter des blessures.

- Arrêtez la rotation en réglant la commande de rotation en position OFF (0).
- Laissez le moteur s'arrêter complètement.
- Arrêtez l'unité hydraulique.

ENTRETIEN

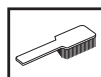
Généralités



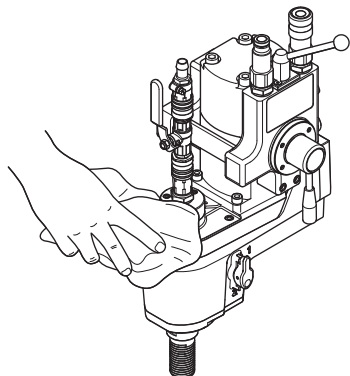
REMARQUE ! Tout contrôle et/ou entretien doit être effectué avec les tuyaux hydrauliques débranchés.

Une utilisation, un entretien et une maintenance corrects de la machine permettent de prolonger considérablement sa durée de vie.

Nettoyage



- Nettoyez la machine et les forets afin de garantir la sécurité pendant le perçage.



- La poignée doit être sèche et ne présenter aucune trace de graisse ni d'huile.
- Veiller à garder les connecteurs et les broches propres. Nettoyer à l'aide d'un chiffon ou d'une brosse.

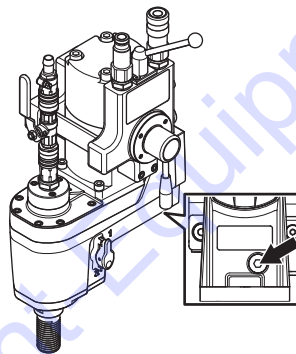
ATTENTION ! Ne pas utiliser de nettoyeur haute pression pour le nettoyage de la machine.

Remplacement de l'huile de la boîte de vitesses



L'huile doit être changée une fois par an ou toutes les 100 heures de fonctionnement. La machine est livrée avec un réservoir contenant une quantité suffisante d'huile. L'huile Husqvarna Oil 220 est une huile pour boîte de vitesses écologique pour utilisation dans l'industrie.

- Vidanger l'huile moteur lorsque le moteur est chaud.
- Placer un réservoir approprié pour récolter l'huile.
- Dévissez le bouchon de remplissage d'huile et laissez l'huile s'évacuer.



- Tournez la machine de façon à ce que le trou d'huile soit orienté vers le haut. Remplissez une nouvelle bouteille d'huile Husqvarna Oil 220.
- Nettoyez les filetages et le bouchon de remplissage d'huile et revissez le bouchon.

Entretien quotidien



- S'assurer que toutes les vis et tous les écrous sont bien serrés.
- Nettoyer l'extérieur de la machine.
- Contrôlez que tous les raccords, connexions et flexibles hydrauliques sont intacts.

Réparations



REMARQUE ! Toutes les réparations doivent être effectuées par des réparateurs agréés. Ceci permet d'éviter que les opérateurs ne soient exposés à des risques importants.

CARACTÉRISTIQUES TECHNIQUES

DM 406 H

Moteur Moteur hydraulique
Poids, kg 17

Type d'huile pour boîte de vitesses STATOIL LoadWay
Bio SE 220
Volume d'huile pour boîte de vitesses, en dl 3

Pression, max, bar 140
Débit, en l/min 40

Diamètre maximal du trépan, mm/pouches 650/25

Refroidissement par eau

Filetage de la broche G 1 1/4"
Raccord de l'eau G 1/4"
Pression max. de l'eau, bar 8

Émissions sonores (voir remarque 1)

Niveau de puissance sonore mesuré dB(A) 112
Niveau de puissance sonore garanti dB(A) 113

Niveaux sonores (voir remarque 2)

Niveau de pression sonore équivalent au niveau de l'oreille de l'utilisateur, dB(A) 98

Niveaux de vibrations, a_{hv} (voir remarque 3)

Poignée, m/s^2 1,0

Remarque 1: Émission sonore dans l'environnement mesurée comme puissance acoustique (L_{WA}) selon EN 12348.

Remarque 2: Niveau de pression sonore conformément à EN 12348. Les données reportées pour le niveau de pression sonore montrent une dispersion statistique typique (déviat ion standard) de 1,0 dB (A).

Remarque 3: Niveau de vibrations conformément à EN 12348. Les données reportées pour le niveau de vibrations montrent une dispersion statistique typique (déviat ion standard) de 1 m/s^2 .

Régime

Taille de foret recommandée, mm	400-600	250-400	150-250	90-150	50-90	0-50
Taille de foret recommandée, pouces	16-24	10-16	6-10	4-6	2-4	0-2
Vitesse, tr/min.	120	230	340	580	980	1400
Boîte de vitesses mécanique	1	1	1	2	2	2
Vitesse, moteur hydraulique	I	II	III	I	II	III

To order go to Discount-Equipment.com

**GB - Original instructions, ES - Instrucciones originales
DE - Originalanweisungen, FR - Instructions d'origine**



1153386-20

2009-12-29

TO PURCHASE THIS PRODUCT PLEASE CONTACT US



**Equipment Financing and
Extended Warranties Available**



**Discount-Equipment.com is your online resource for
commercial and industrial quality parts and equipment sales.**

561-964-4949

visit us on line @ www.discount-equipment.com

Select an option below to find your Equipment

Search by Manufacturer

Search by Product Type

Request a Quote

We sell worldwide for the brands: Genie, Terex, JLG, MultiQuip, Mikasa, Essick, Whiteman, Mayco, Toro Stone, Diamond Products, Generac Magnum, Airman, Haulotte, Barreto, Power Blanket, Nifty Lift, Atlas Copco, Chicago Pneumatic, Allmand, Miller Curber, Skyjack, Lull, Skytrak, Tsurumi, Husquvarna Target, Stow, Wacker, Sakai, Mi-T-M, Sullair, Basic, Dynapac, MBW, Weber, Bartell, Bennar Newman, Haulotte, Ditch Runner, Menegotti, Morrison, Contec, Buddy, Crown, Edco, Wyco, Bomag, Laymor, EZ Trench, Bil-Jax, F.S. Curtis, Gehl Pavers, Heli, Honda, ICS/PowerGrit, IHI, Partner, Imer, Clipper, MMD, Koshin, Rice, CH&E, General Equipment, Amida, Coleman, NAC, Gradall, Square Shooter, Kent, Stanley, Tamco, Toku, Hatz, Kohler, Robin, Wisconsin, Northrock, Oztec, Toker TK, Rol-Air, APT, Wylie, Ingersoll Rand / Doosan, Innovatech, Con X, Ammann, Mecalac, Makinex, Smith Surface Prep, Small Line, Wanco, Yanmar