



# SPARE PARTS LIST

## POWER CUTTERS

K 4000 Cut-n-Break, 2018-02

Go to [Discount-Equipment.com](http://Discount-Equipment.com) to order your parts



# PARTS FINDER

**Search Website  
by Part Number**



**Search Manual  
Library For Parts  
Manual & Lookup Part  
Numbers – Purchase  
or Request Quote**

**Search Manuals**

Enter your information to help us find the right parts manual for your machine.

\* Brand:

\* Model:

\* Serial:

\* Part Number:

SEARCH

**Can't Find Part or  
Manual? Request Help  
by Manufacturer,  
Model & Description**

**Parts Order Form**

Please fill in the following information to help us find the right part for your machine.

Manufacturer:	<input type="text"/>
Model:	<input type="text"/>
Description:	<input type="text"/>
Part Number:	<input type="text"/>
Quantity:	<input type="text"/>
Notes:	<input type="text"/>

Discount-Equipment.com is your online resource for quality parts & equipment.

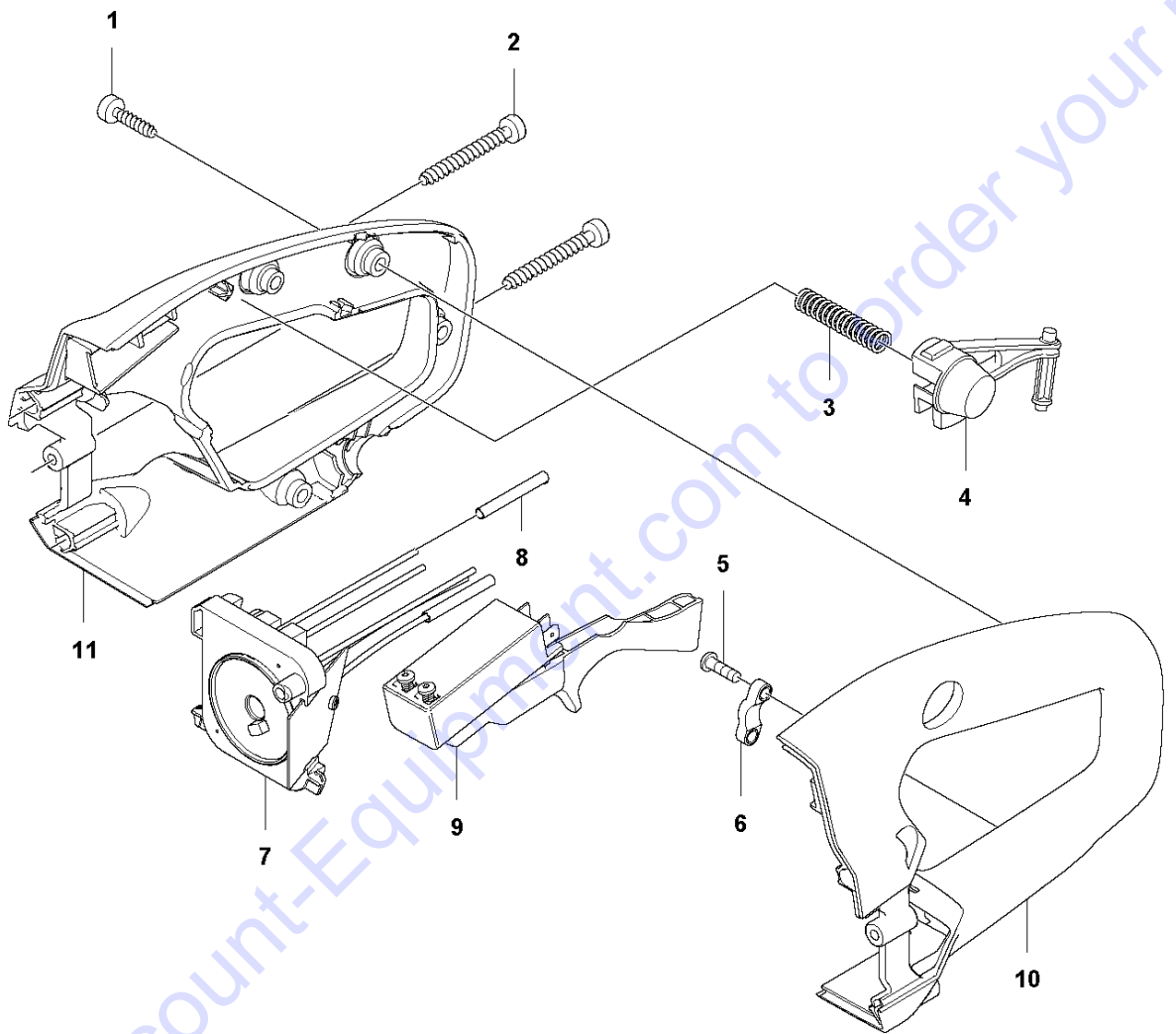
Florida: **561-964-4949** Outside Florida TOLL FREE: **877-690-3101**

**Need parts?**

Click on this link: <http://www.discount-equipment.com/category/5443-parts/> and choose one of the options to help get the right parts and equipment you are looking for. Please have the machine model and serial number available in order to help us get you the correct parts. If you don't find the part on the website or on one of the online manuals, please fill out the request form and one of our experienced staff members will get back to you with a quote for the right part that your machine needs.

We sell worldwide for the brands: Genie, Terex, JLG, MultiQuip, Mikasa, Essick, Whiteman, Mayco, Toro Stone, Diamond Products, Generac Magnum, Airman, Haulotte, Barreto, Power Blanket, Nifty Lift, Atlas Copco, Chicago Pneumatic, Allmand, Miller Curber, Skyjack, Lull, Skytrak, Tsurumi, Husquvarna Target, Stow, Wacker, Sakai, Mi-T-M, Sullair, Basic, Dynapac, MBW, Weber, Bartell, Bennar Newman, Haulotte, Ditch Runner, Menegotti, Morrison, Contec, Buddy, Crown, Edco, Wyco, Bomag, Laymor, EZ Trench, Bil-Jax, F.S. Curtis, Gehl Pavers, Heli, Honda, ICS/PowerGrit, IHI, Partner, Imer, Clipper, MMD, Koshin, Rice, CH&E, General Equipment, Amida, Coleman, NAC, Gradall, Square Shooter, Kent, Stanley, Tamco, Toku, Hatz, Kohler, Robin, Wisconsin, Northrock, Oztec, Toker TK, Rol-Air, APT, Wylie, Ingersoll Rand / Doosan, Innovatech, Con X, Ammann, Mecalac, Makinex, Smith Surface Prep, Small Line, Wanco, Yanmar

**A** K4000 Cut-n-Break  
Handle



Go to Discount-Equipment.com to order your parts

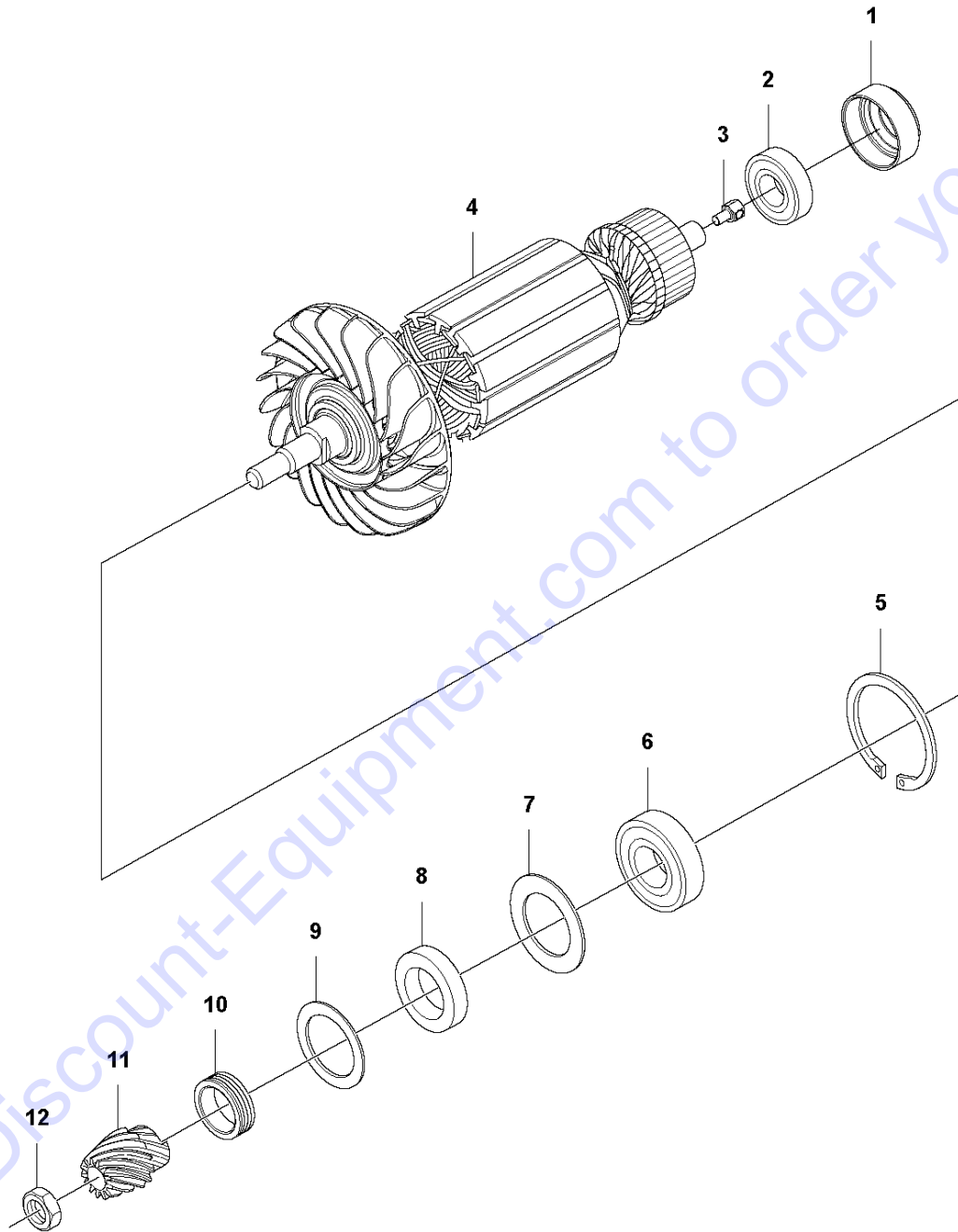
## HANDLE

K 4000 Cut-n-Break, 2018-02

Ref	Part No	Description	Remark	QTY KIT
1	589 53 01-01	SCREW ITXSCT		4
2	589 58 33-01	SCREW		4
3	577 48 19-01	SPRING		1
4	589 65 73-02	LOCKING BUTTON		1
5	590 93 57-01	SCREW		2
6	531 03 18-87	CLIP		1
7	577 01 01-05	HOLDER ASSY	100-120V, incl 8	1
7	577 01 01-06	HOLDER ASSY	230V, incl 8	1
8	578 03 26-01	SLEEVE	100-120V	1
8	578 03 24-01	SLEEVE	230V	2
9	531 03 18-83	SWITCH		1
10	582 33 02-01	HANDLE HALF		1
11	582 33 03-01	HANDLE HALF		1

Go to [Discount-Equipment.com](http://Discount-Equipment.com) to order your parts

**B** K4000 Cut-n-Break  
MOTOR

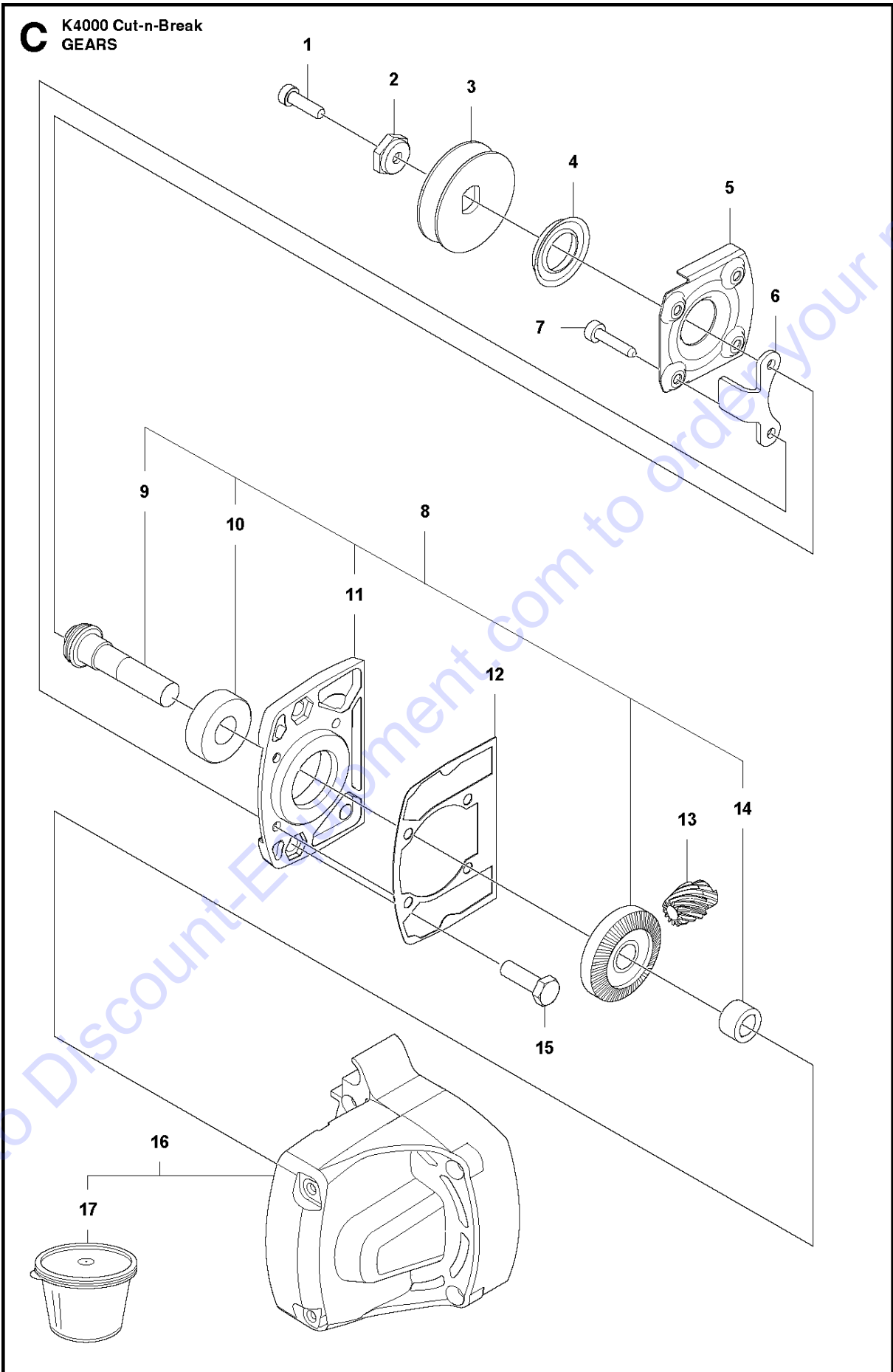


## MOTOR

K 4000 Cut-n-Break, 2018-02

Ref	Part No	Description	Remark	QTY KIT
1	577 06 66-01	RUBBER BUSHING		1
2	503 25 09-01	BEARING		1
3	579 25 62-01	SCREW		1
4	582 58 66-02	ROTOR	100-120V	1
4	582 58 66-01	ROTOR	230V	1
5	735 31 33-10	CIRCLIP		1
6	531 07 39-44	BALL BEARING		1
7	505 53 03-16	SPACER		1
8	505 53 03-41	FELT		1
9	505 53 03-52	SPACER		1
10	505 53 03-19	SPACER		1
11	505 45 41-01	PINION		1
12	523 12 24-02	NUT		1

Go to [Discount-Equipment.com](http://Discount-Equipment.com) to order your parts



## GEARS

K 4000 Cut-n-Break, 2018-02

Ref	Part No	Description	Remark	QTY KIT
1	544 21 84-20	SCREW ITXSCM		1
2	504 03 83-01	SPACING SLEEVE		1
3	544 43 39-01	DRIVING PULLEY		1
4	506 32 06-01	SEALING		1
5	544 43 41-01	FLANGE		1
6	544 43 37-01	BRACKET		1
7	503 21 53-25	SCREW ITXSCM		4
8	544 42 66-01	GEAR SET	Incl. 9 - 11	1
9	544 42 64-01	GEAR WHEEL SHAFT		1
10	583 95 33-01	BALL BEARING		1
11	588 07 35-01	GEAR HOUSING		1
12	504 11 03-03	GASKET		1
13	505 45 41-01	PINION		1
14	503 25 53-01	NEEDLE BEARING		1
15	725 24 53-71	SCREW EHHM		2
16	574 21 43-03	GEAR HOUSING	Incl. 17	1
17	574 20 30-01	GREASE		1

Go to [Discount-Equipment.com](http://Discount-Equipment.com) to order your parts



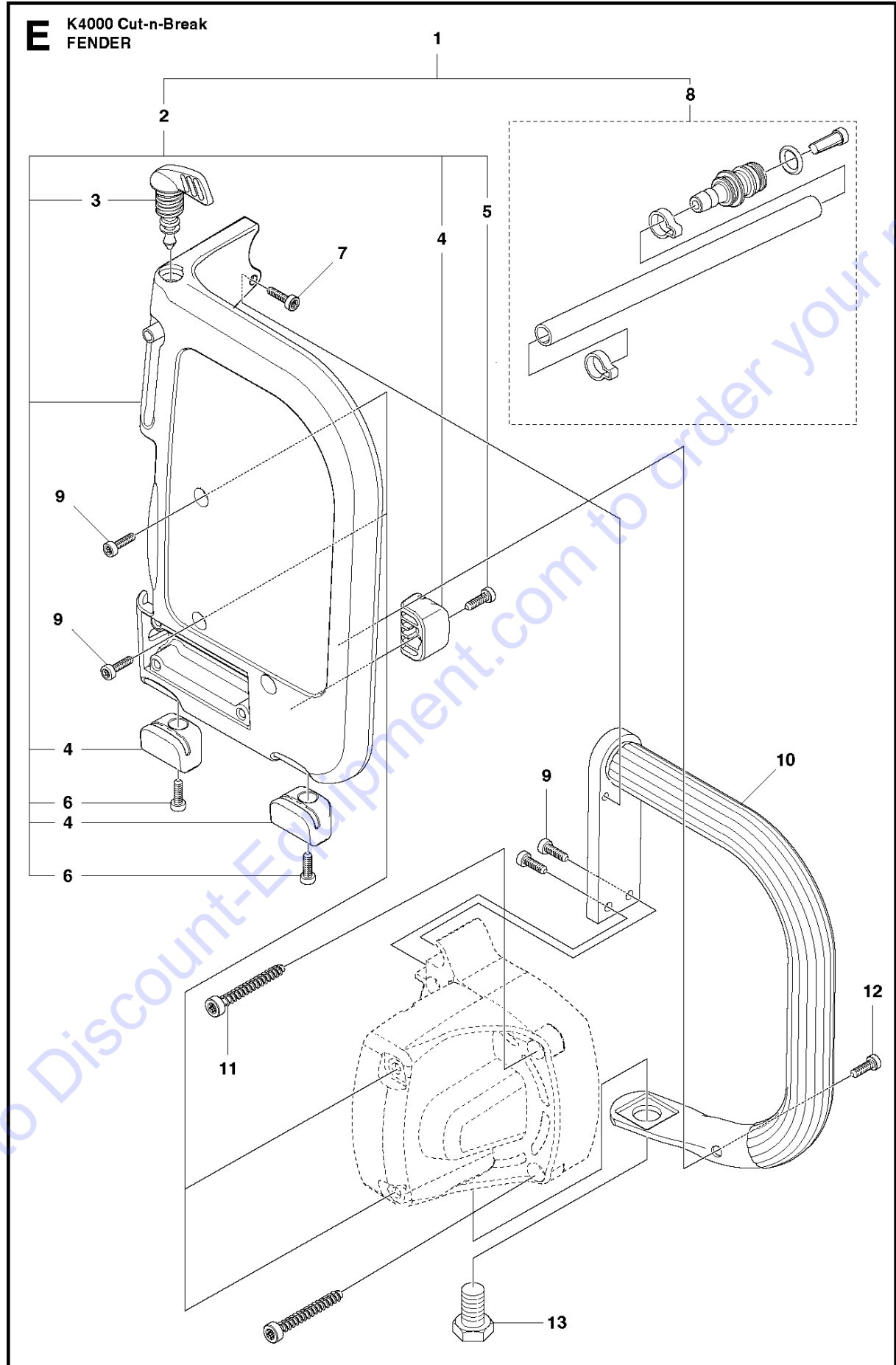


## MOTOR HOUSING

K 4000 Cut-n-Break, 2018-02

Ref	Part No	Description	Remark	QTY	KIT
1	582 33 94-02	COVER		1	
2	589 53 01-01	SCREW ITXSCT		2	
3	574 35 35-05	SCREW ITXSCM		3	
4	735 11 36-50	SPRING WASHER		4	
5	574 35 35-07	SCREW ITXSCM		1	
6	732 25 14-01	HEXAGON LOCKING NUT		2	
7	501 98 02-01	COUPLER		1	
8	577 38 40-01	CABLE ASSY		1	
9	589 78 68-01	SCREW		1	
10	735 21 24-01	LOCKWASHER		1	
11	582 33 50-01	MOTOR HOUSING		1	
13	589 91 12-02	CARBON BRUSH	120V	1	15
13	589 91 12-01	CARBON BRUSH	230V	1	15
15	581 05 85-05	BRUSH HOLDER	230V	1	
15	581 05 85-06	BRUSH HOLDER	120V	1	
16	505 53 03-07	AIR STREAM DIRECTOR		1	
17	503 21 53-96	SCREW ITXSCM		2	
18	582 58 41-02	STATOR ASSY	100-120V	1	
18	582 58 41-01	STATOR ASSY	230V	1	
19	589 60 93-02	DECAL		1	
20	589 60 95-01	DECAL	US	1	
21	589 60 95-02	DECAL	RoW	1	

Go to Discount-Equipment.com to order your parts

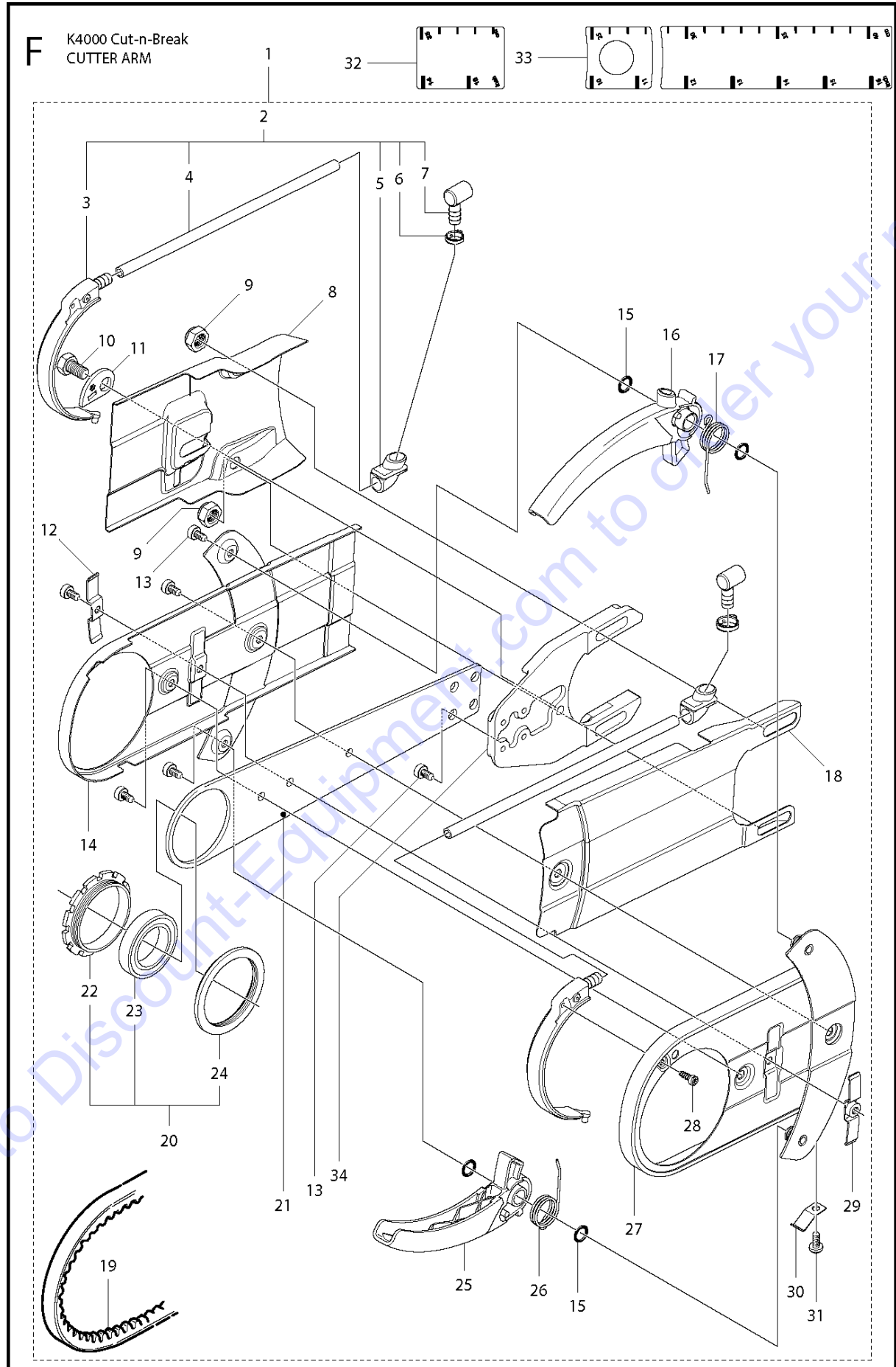


## HANDLE

K 4000 Cut-n-Break, 2018-02

Ref	Part No	Description	Remark	QTY KIT
1	504 61 28-02	FENDER	Incl. 2, 8	1
2	504 61 28-03	FENDER	Incl. 3-6	1
3	505 52 42-01	VALVE SPINDLE		1
4	544 98 32-01	GROUND SUPPORT		3
5	504 90 94-10	SCREW ITXSCT		1
6	504 90 94-14	SCREW ITXSCT		2
7	503 21 53-10	SCREW ITXSCM		1
8	575 51 62-02	HOSE ASSY		1
9	503 21 53-16	SCREW ITXSCM		4
10	540 01 83-01	FRONT HANDLE ASSY		1
11	589 58 33-01	SCREW		4
12	504 90 94-25	SCREW ITXSCT		1
13	531 03 12-76	SCREW		1

Go to [Discount-Equipment.com](http://Discount-Equipment.com) to order your parts



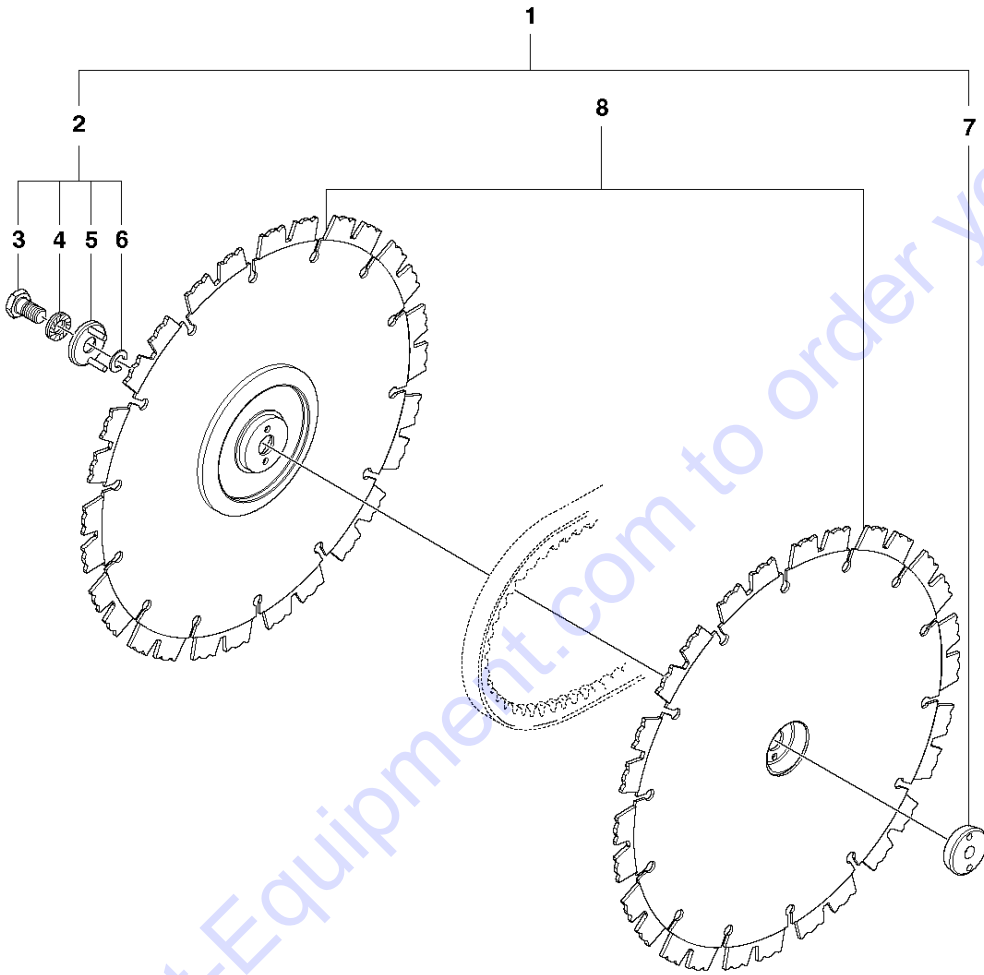
## CUTTER ARM

K 4000 Cut-n-Break, 2018-02

Ref	Part No	Description	Remark	QTY KIT
1	504 61 31-02	CUTTER ARM	Incl. 2 - 34	1
2	544 10 50-05	HOSE	Incl. 3 - 7	1
3	504 87 52-01	SEALING		1
4	581 89 38-02	HOSE		1
5	506 40 57-02	GROMMET		1
6	506 09 56-05	HOSE CLAMP		1
7	506 40 98-02	NIPPLE		1
8	544 95 24-01	BELT GUARD		1
9	731 23 18-01	HEXAGON NUT		2
10	725 24 45-71	SCREW EHHM		1
11	544 42 98-01	ECCENTRIC		1
12	506 40 56-01	DEFLECTION LIMITER		1
13	503 21 53-10	SCREW ITXSCM		9
14	544 42 15-01	BELT GUARD ASSY		1
15	503 26 30-08	O-RING		4
16	506 40 64-03	BLADE GUARD		1
17	506 40 61-01	SPRING		1
18	544 42 14-01	BELT GUARD ASSY		1
19	506 37 27-20	BELT		1
20	593 99 27-01	SERVICE KIT	Incl. 22 - 24	1
21	574 44 75-01	BAR PLATE		1
22	506 40 28-02	BEARING CAGE		1
23	544 10 59-01	BEARING		1
24	506 40 29-02	BUSHING		1
25	506 40 65-02	BLADE GUARD		1
26	506 40 61-02	SPRING		1
27	506 40 46-03	WEAR PROTECTION		1
28	503 21 28-10	SCREW CCRPANT		1
29	506 40 56-02	DEFLECTION LIMITER		1
30	506 40 51-01	STOP		1
31	724 12 84-01	SCREW CRPANM		1
32	505 47 37-01	LABEL		1
33	544 37 44-02	LABEL		1
34	522 47 27-01	BAR BRACKET		1

Go to Discount-Equipment.com to order your parts

**G** K4000 Cut-n-Break  
CUTTING BLADE



Go to Discount-Equipment.com to order your parts

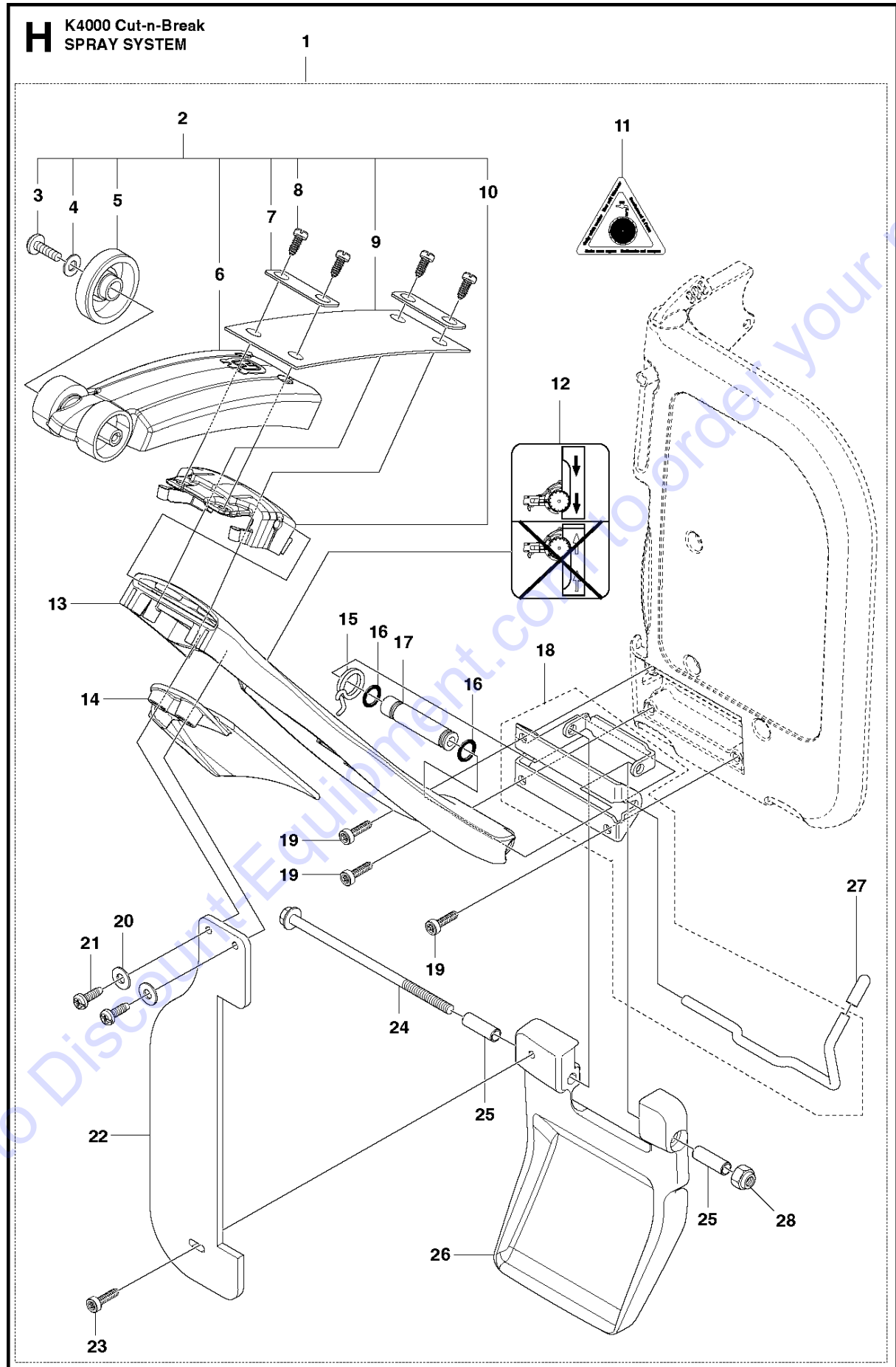
## CUTTING BLADE

K 4000 Cut-n-Break, 2018-02

Ref	Part No	Description	Remark	QTY KIT
1	501 00 88-06	SCREW KIT	Incl. 2, 7	1
2	501 00 88-01	SCREW KIT	Incl. 3-6	1
3	506 40 25-02	SCREW		1
4	503 23 04-03	WASHER		1
5	544 26 53-01	WASHER		1
6	735 31 10-41	RETAINER RING		1
7	506 40 24-01	NUT		1
8	574 83 62-01	DIAMOND BLADE	EL10CnB	1
8	574 83 62-02	DIAMOND BLADE	EL35CNB	1
8	574 83 62-03	DIAMOND BLADE	EL70CnB	1

Go to [Discount-Equipment.com](http://Discount-Equipment.com) to order your parts



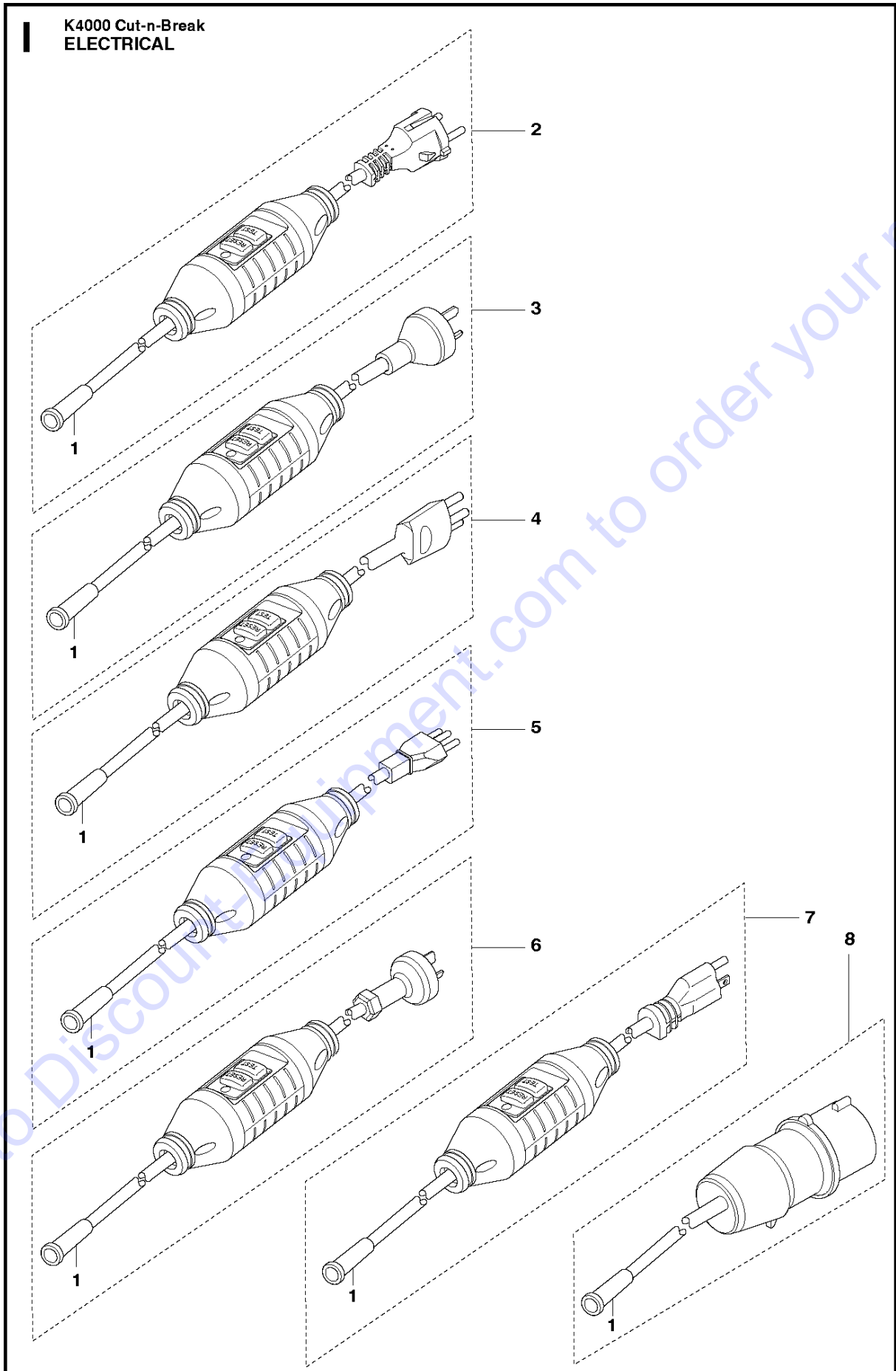


## SPRAY SYSTEM

K 4000 Cut-n-Break, 2018-02

Ref	Part No	Description	Remark	QTY KIT
1	504 61 29-02	SPRAY GUARD	Incl. 2, 11 - 28	1
2	510 05 66-01	SPRAY GUARD	Incl. 3 - 10	1
3	503 21 46-01	SCREW		2
4	734 48 80-01	WASHER		2
5	506 26 22-02	WHEEL		2
6	510 00 72-01	SPRAY GUARD		1
7	510 20 20-01	WASHER		2
8	503 21 27-16	SCREW CRPANT		4
9	510 20 24-01	BAND		1
10	510 00 73-01	GUIDE		1
11	504 79 36-01	LABEL		1
12	522 03 81-01	DECAL		1
13	544 97 60-02	SPRAY GUARD		1
14	504 04 94-01	SPRAY GUARD		1
15	506 40 60-01	SPRING		1
16	740 42 05-00	O-RING		2
17	506 40 37-01	BUSHING		1
18	587 29 30-01	RETAINER		1
19	504 90 94-14	SCREW ITXSCT		3
20	503 23 00-11	WASHER		2
21	503 21 27-13	SCREW CCRPANT		2
22	525 83 37-01	SPRAY GUARD		1
23	510 26 92-16	SCREW ITXSCT		1
24	503 21 53-96	SCREW ITXSCT		1
25	522 55 85-01	GUIDE BUSHING		2
26	505 14 86-01	FENDER		1
27	505 38 88-01	COVER LID		1
28	503 22 24-01	LOCK NUT		1

Go to [Discount-Equipment.com](http://Discount-Equipment.com) to order your parts



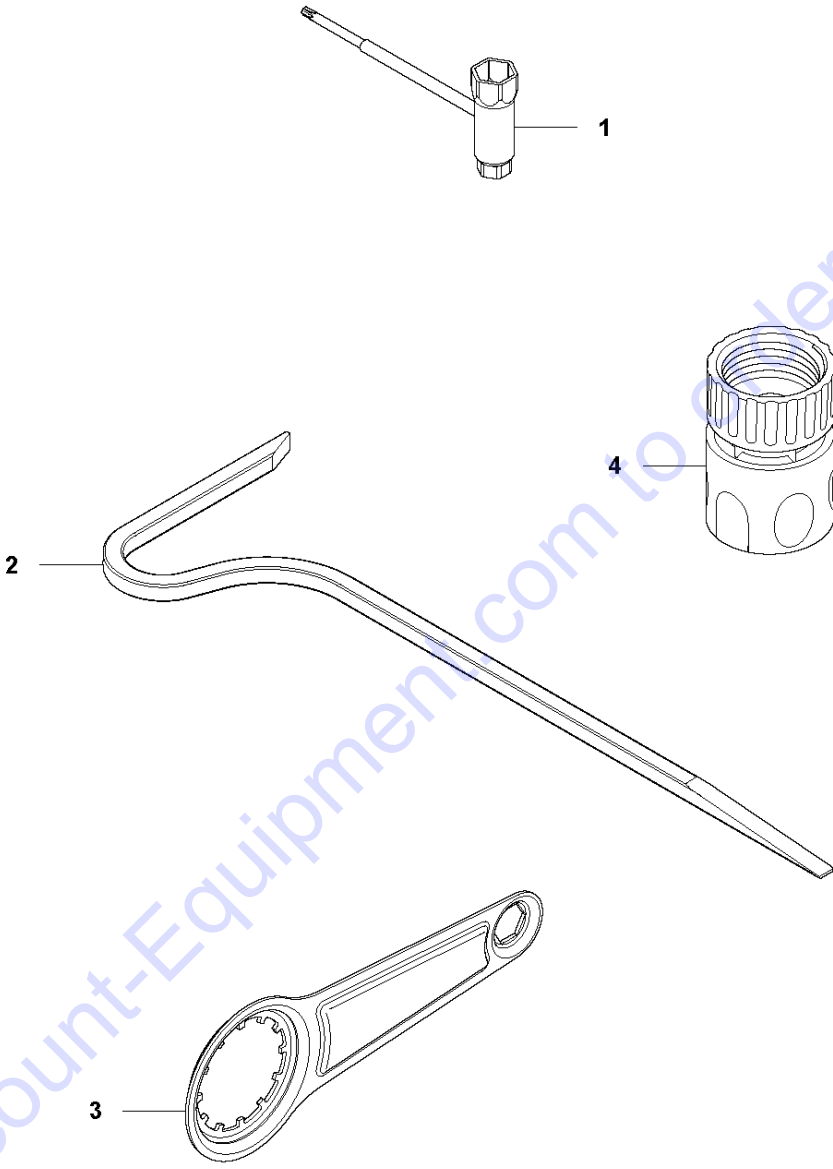
## ELECTRICAL

K 4000 Cut-n-Break, 2018-02

Ref	Part No	Description	Remark	QTY KIT
1	575 81 10-01	CABLE SLEEVE		1
2	594 00 56-01	CABLE ASSY	230V PRCD, incl 1	1
3	594 00 56-06	CABLE ASSY	110V PRCD, AU, incl 1	1
4	594 00 56-05	CABLE ASSY	230V PRCD, CH, incl 1	1
5	594 00 56-07	CABLE ASSY	230V PRCD, BR, incl 1	1
6	594 00 56-02	CABLE ASSY	230V PRCD, CN, incl 1	1
7	594 00 56-03	CABLE ASSY	100-120V PRCD, JP, US, incl 1	1
8	591 06 10-04	CABLE ASSY	UK	1

Go to [Discount-Equipment.com](http://Discount-Equipment.com) to order your parts

**J** K4000 Cut-n-Break  
TOOLS



Go to Discount-Equipment.com to order your parts

## TOOLS

K 4000 Cut-n-Break, 2018-02

Ref	Part No	Description	Remark	QTY KIT
1	506 38 26-01	TOOL		2
2	544 17 80-03	TOOL		1
3	544 17 81-01	PULLER		1
4	503 26 60-03	COUPLER	USA	1
4	503 26 60-04	COUPLER	RoW	1

Go to [Discount-Equipment.com](http://Discount-Equipment.com) to order your parts

# PARTS FINDER

**Search Website  
by Part Number**



**Search Manual  
Library For Parts  
Manual & Lookup Part  
Numbers – Purchase  
or Request Quote**

**Search Manuals**

Enter your information to help us find the right parts manual for your machine.

\* Brand:

\* Model:

\* Serial:

\* Part Number:

SEARCH

**Can't Find Part or  
Manual? Request Help  
by Manufacturer,  
Model & Description**

**Parts Order Form**

Please fill in the following information to help us find the right part for your machine.

Manufacturer:	<input type="text"/>
Model:	<input type="text"/>
Description:	<input type="text"/>
Part Number:	<input type="text"/>
Quantity:	<input type="text"/>
Notes:	<input type="text"/>

Discount-Equipment.com is your online resource for quality parts & equipment.

Florida: **561-964-4949** Outside Florida TOLL FREE: **877-690-3101**

**Need parts?**

Click on this link: <http://www.discount-equipment.com/category/5443-parts/> and choose one of the options to help get the right parts and equipment you are looking for. Please have the machine model and serial number available in order to help us get you the correct parts. If you don't find the part on the website or on one of the online manuals, please fill out the request form and one of our experienced staff members will get back to you with a quote for the right part that your machine needs.

We sell worldwide for the brands: Genie, Terex, JLG, MultiQuip, Mikasa, Essick, Whiteman, Mayco, Toro Stone, Diamond Products, Generac Magnum, Airman, Haulotte, Barreto, Power Blanket, Nifty Lift, Atlas Copco, Chicago Pneumatic, Allmand, Miller Curber, Skyjack, Lull, Skytrak, Tsurumi, Husquvarna Target, Stow, Wacker, Sakai, Mi-T-M, Sullair, Basic, Dynapac, MBW, Weber, Bartell, Bennar Newman, Haulotte, Ditch Runner, Menegotti, Morrison, Contec, Buddy, Crown, Edco, Wyco, Bomag, Laymor, EZ Trench, Bil-Jax, F.S. Curtis, Gehl Pavers, Heli, Honda, ICS/PowerGrit, IHI, Partner, Imer, Clipper, MMD, Koshin, Rice, CH&E, General Equipment, Amida, Coleman, NAC, Gradall, Square Shooter, Kent, Stanley, Tamco, Toku, Hatz, Kohler, Robin, Wisconsin, Northrock, Oztec, Toker TK, Rol-Air, APT, Wylie, Ingersoll Rand / Doosan, Innovatech, Con X, Ammann, Mecalac, Makinex, Smith Surface Prep, Small Line, Wanco, Yanmar