



SPARE PARTS LIST

DRILLING EQUIPMENT

DM650, 2013-07

Go to Discount-Equipment.com to order your parts



PARTS FINDER

**Search Website
by Part Number**



**Search Manual
Library For Parts
Manual & Lookup Part
Numbers – Purchase
or Request Quote**

Search Manuals

Enter your information to help us find the right parts manual for your machine.

* Brand:

* Model:

* Serial:

* Part Number:

SEARCH

**Can't Find Part or
Manual? Request Help
by Manufacturer,
Model & Description**

Parts Order Form

Please fill in the following information to help us find the right part for your machine.

MANUFACTURER:

MODEL:

DESCRIPTION:

DATE:

TIME:

PHONE:

EMAIL:

ADDRESS:

CITY:

STATE:

ZIP:

COUNTRY:

SEARCH

Discount-Equipment.com is your online resource for quality parts & equipment.

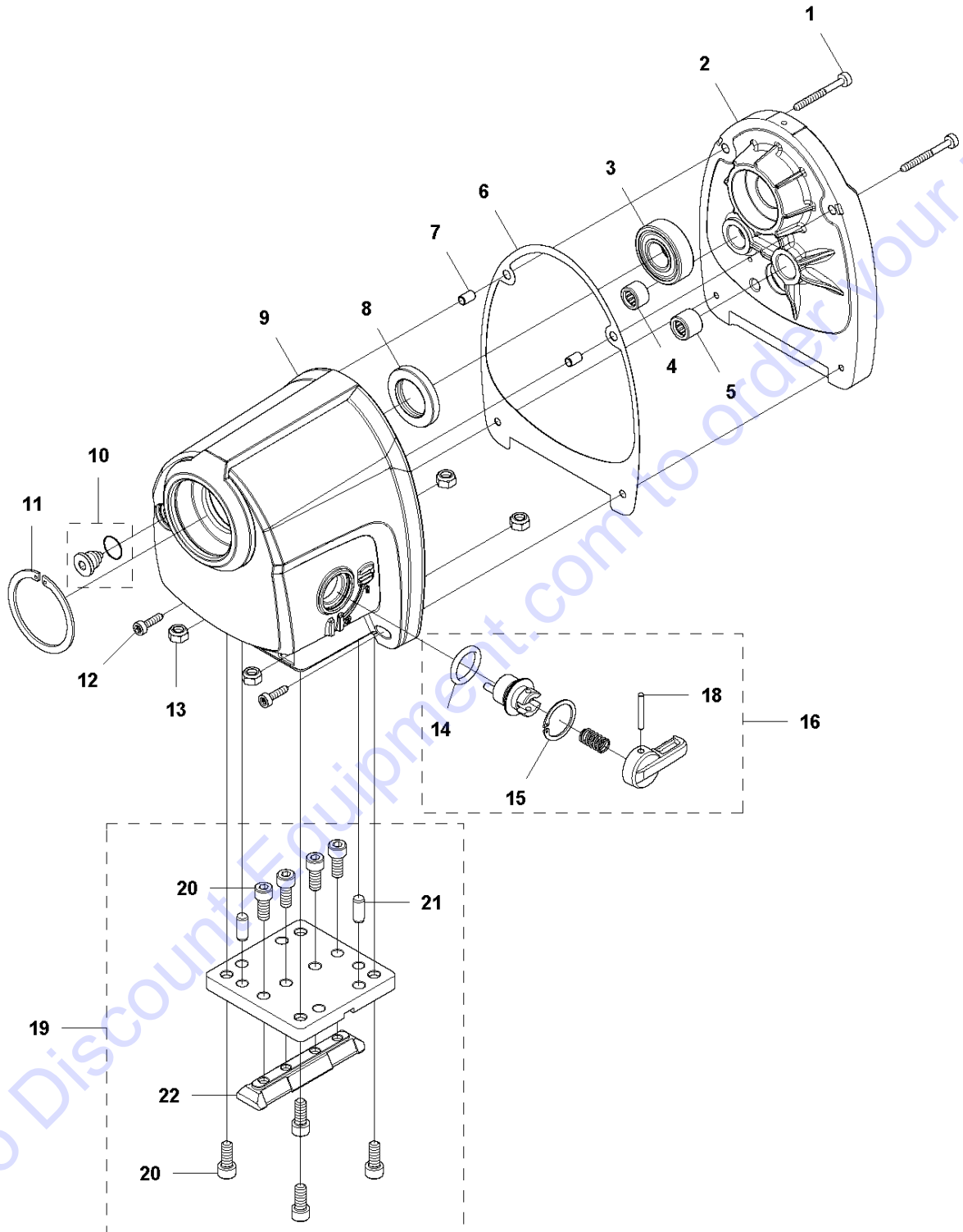
Florida: **561-964-4949** Outside Florida TOLL FREE: **877-690-3101**

Need parts?


Click on this link: <http://www.discount-equipment.com/category/5443-parts/> and choose one of the options to help get the right parts and equipment you are looking for. Please have the machine model and serial number available in order to help us get you the correct parts. If you don't find the part on the website or on one of the online manuals, please fill out the request form and one of our experienced staff members will get back to you with a quote for the right part that your machine needs.

We sell worldwide for the brands: Genie, Terex, JLG, MultiQuip, Mikasa, Essick, Whiteman, Mayco, Toro Stone, Diamond Products, Generac Magnum, Airman, Haulotte, Barreto, Power Blanket, Nifty Lift, Atlas Copco, Chicago Pneumatic, Allmand, Miller Curber, Skyjack, Lull, Skytrak, Tsurumi, Husquvarna Target, Stow, Wacker, Sakai, Mi-T-M, Sullair, Basic, Dynapac, MBW, Weber, Bartell, Bennar Newman, Haulotte, Ditch Runner, Menegotti, Morrison, Contec, Buddy, Crown, Edco, Wyco, Bomag, Laymor, EZ Trench, Bil-Jax, F.S. Curtis, Gehl Pavers, Heli, Honda, ICS/PowerGrit, IHI, Partner, Imer, Clipper, MMD, Koshin, Rice, CH&E, General Equipment, Amida, Coleman, NAC, Gradall, Square Shooter, Kent, Stanley, Tamco, Toku, Hatz, Kohler, Robin, Wisconsin, Northrock, Oztec, Toker TK, Rol-Air, APT, Wylie, Ingersoll Rand / Doosan, Innovatech, Con X, Ammann, Mecalac, Makinex, Smith Surface Prep, Small Line, Wanco, Yanmar

A DM 650
GEAR BOX



23

		Ømm	ØInch
	1	300-600	12-24
	2	100-300	4-12

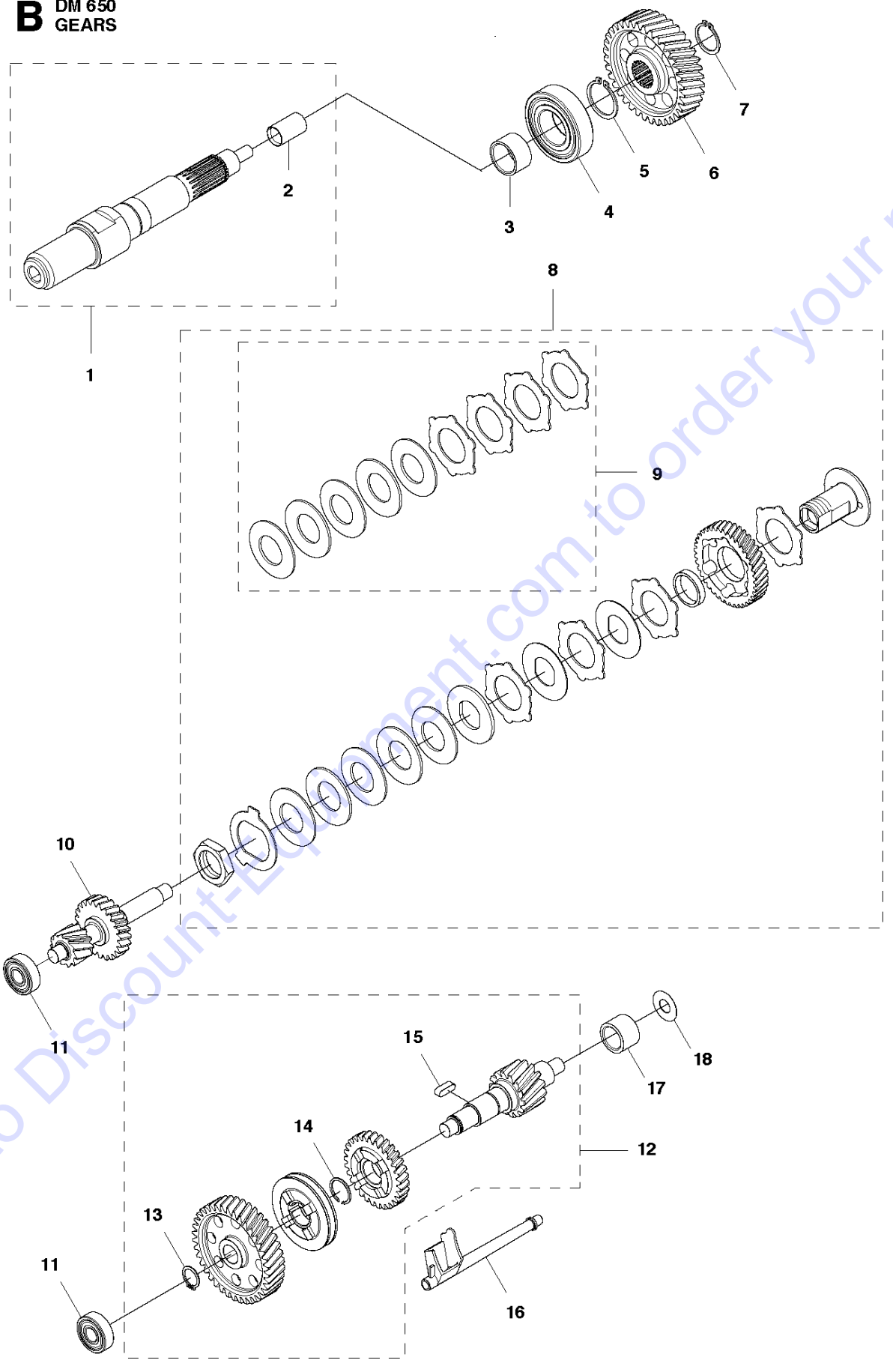
GEAR BOX

DM650, 2013-07

Ref	Part No	Description	Remark	QTY	KIT
1	501 98 10-02	SCREW ITXSCM		2	
2	586 50 14-01	COVER		1	
3	738 22 04-19	BALL BEARING		1	
4	503 25 53-01	NEEDLE BEARING		1	
5	575 36 21-01	NEEDLE BEARING		1	
6	525 39 50-01	GASKET		1	
7	575 45 24-01	GUIDE		2	
8	502 49 63-02	SEALING RING		1	
9	525 39 34-01	GEAR HOUSING		1	
10	525 48 10-01	OIL PLUG		1	
11	502 49 70-01	CIRCLIP		1	
12	501 98 10-04	SCREW ITXSCM		2	
13	732 25 18-01	HEXAGON LOCKING NUT		4	
14	740 43 15-00	O-RING		1	16
15	735 31 30-11	CIRCLIP		1	
16	588 59 57-01	GEARSHIFT LEVER		1	
18	720 12 76-06	PARALLEL PIN		1	
19	577 54 91-01	KIT		1	
20	725 54 51-01	SCREW IHSCM		8	
21	720 14 01-06	PARALLEL PIN		2	
22	575 80 81-01	WEDGE		1	
23	575 00 95-01	LABEL		1	

Go to Discount-Equipment.com to order your parts

B DM 650
GEARS



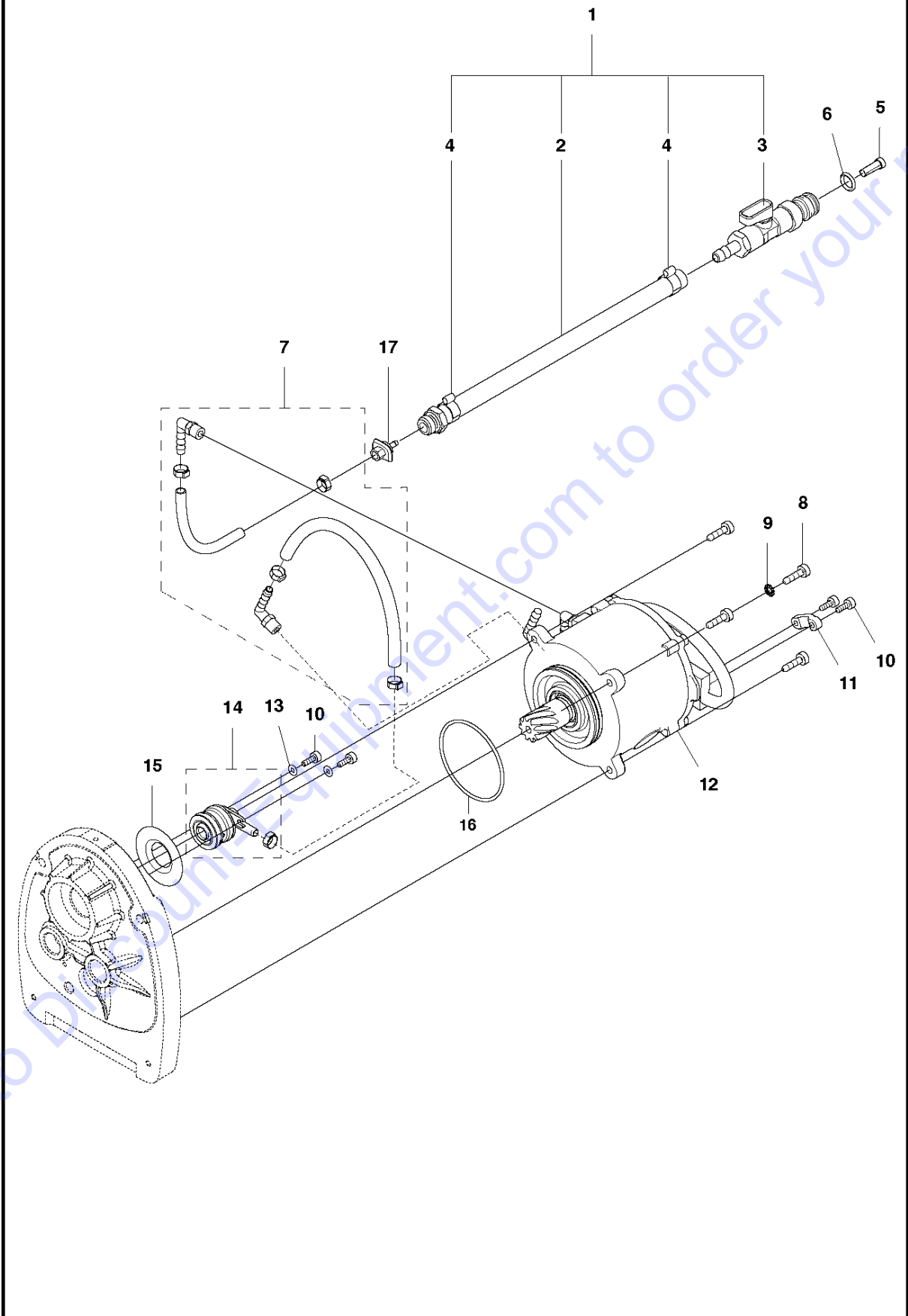
GEARS

DM650, 2013-07

Ref	Part No	Description	Remark	QTY KIT
1	585 24 16-01	SPINDLE SHAFT		1
2	504 73 59-01	SLEEVE		1
1	585 24 16-02	SPINDLE SHAFT	Japan Only	1
3	585 07 19-01	SPACER		1
4	738 22 06-29	BALL BEARING		1
5	735 31 30-00	CIRCLIP		1
6	584 98 53-02	GEAR WHEEL		1
7	585 47 49-01	RETAINER RING		2
8	580 63 71-01	CLUTCH ASSY		1
9	577 55 83-01	KIT		1
10	580 63 50-01	GEAR WHEEL SHAFT		1
11	738 22 01-19	BALL BEARING		2
12	580 63 51-01	GEAR WHEEL ASSY		1
13	735 31 18-00	CIRCLIP		1
14	735 31 22-40	CIRCLIP		1
15	576 85 56-02	PARALLEL KEY		1
16	575 25 83-01	OIL PIPE		1
17	586 09 19-01	SPACER		1
18	586 03 98-01	WASHER		1

Go to Discount-Equipment.com to order your parts

C DM 650
MOTOR



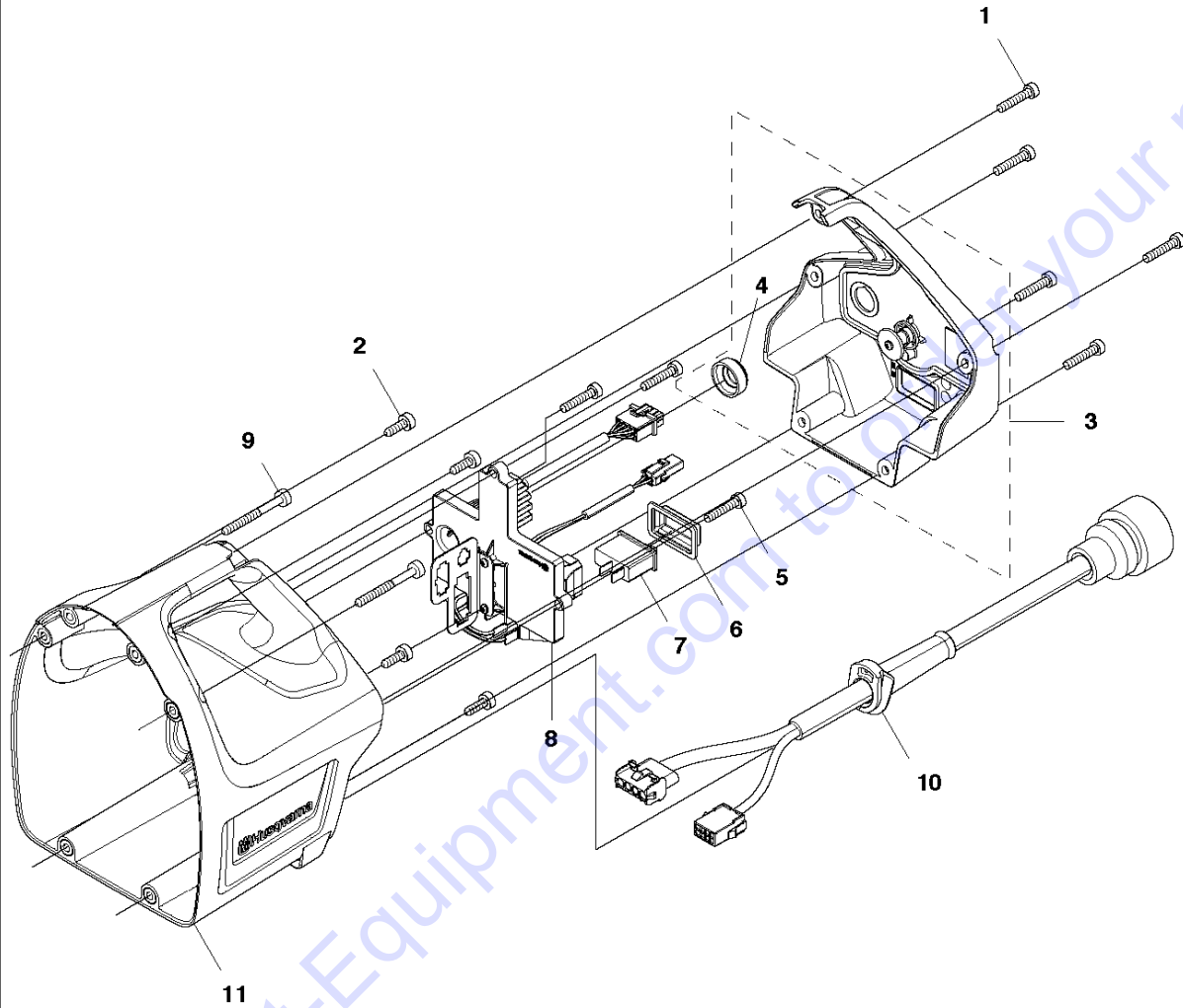
MOTOR

DM650, 2013-07

Ref	Part No	Description	Remark	QTY	KIT
1	501 07 22-01	HOSE ASSY		1	
2	581 89 36-07	HOSE		1	1
3	587 43 78-02	VALVE ASSY		1	1
4	576 12 97-01	HOSE CLAMP		1	1
5	506 29 88-01	FILTER		4	1
6	505 10 35-01	O-RING		1	
7	577 55 87-02	HOSE KIT		1	
8	503 21 53-20	SCREW ITXSCM		4	
9	735 21 46-01	LOCKWASHER		1	
10	725 52 91-56	SCREW IHSCM		2	
11	575 73 40-01	CABLE CLAMP		1	
12	576 21 45-02	MOTOR ASSY		1	
13	734 11 36-01	WASHER		2	
14	577 75 82-01	HOSE CLAMP		1	
15	584 39 02-01	GUIDE WASHER		1	
16	575 49 30-01	O-RING		1	
17	586 20 19-01	NIPPLE		1	

Go to Discount-Equipment.com to order your parts

D DM 650
REAR HANDLE



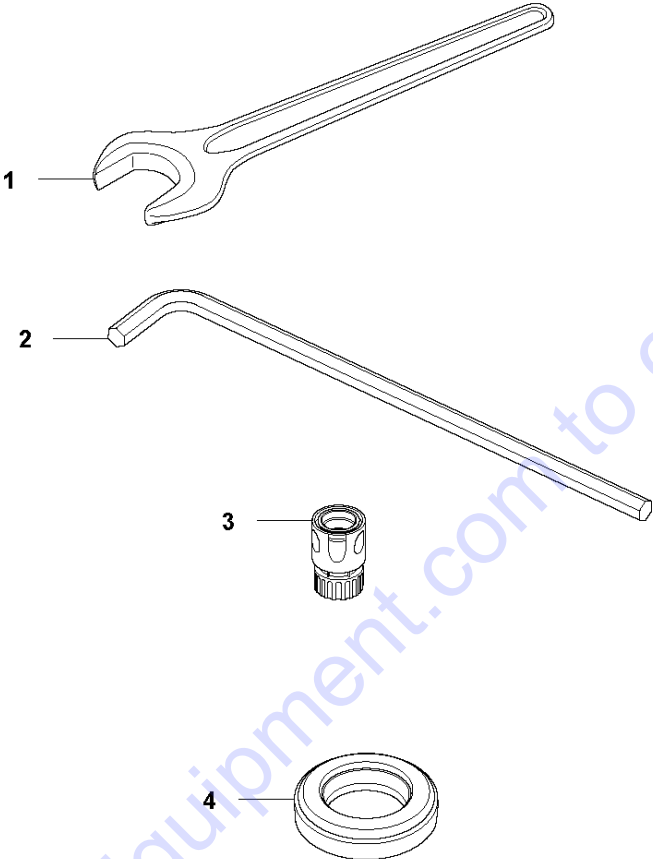
REAR HANDLE

DM650, 2013-07

Ref	Part No	Description	Remark	QTY KIT
1	504 90 94-14	SCREW ITXSCT		
2	503 21 53-16	SCREW ITXSCM		
3	575 47 00-03	COVER		
4	574 27 27-01	PROTECTIVE CAP		
5	573 92 58-04	SCREW ITXSCT		
6	574 27 28-01	PROTECTIVE CAP		
7	574 26 61-01	SWITCH		
8	586 06 26-01	HOLDER		
9	501 98 10-02	SCREW ITXSCM		
10	522 93 61-02	CABLE ASSY		
11	575 21 93-01	MOTOR HOUSING		

Go to Discount-Equipment.com to order your parts

E DM 650
ACCESSORIES



Go to Discount-Equipment.com to order your parts

ACCESSORIES

DM650, 2013-07

Ref	Part No	Description	Remark	QTY KIT
1	531 14 09-52	KEY		1
2	525 43 76-01	HEX KEY		1
3	503 26 60-03	COUPLER		1
3	503 26 60-04	COUPLER		1
4	543 05 28-78	WATER COLLECTOR		1

Go to Discount-Equipment.com to order your parts

PARTS FINDER

**Search Website
by Part Number**



**Search Manual
Library For Parts
Manual & Lookup Part
Numbers – Purchase
or Request Quote**

Search Manuals

Enter your information to help us find the right parts manual for your machine.

* Brand:

* Model:

* Serial:

* Part Number:

SEARCH

**Can't Find Part or
Manual? Request Help
by Manufacturer,
Model & Description**

Parts Order Form

Please fill in the following information to help us find the right part for your machine.

Manufacturer:	<input type="text"/>
Model:	<input type="text"/>
Description:	<input type="text"/>
Part Number:	<input type="text"/>
Quantity:	<input type="text"/>
Notes:	<input type="text"/>

Submit

Discount-Equipment.com is your online resource for quality parts & equipment.

Florida: **561-964-4949** Outside Florida TOLL FREE: **877-690-3101**

Need parts?

Click on this link: <http://www.discount-equipment.com/category/5443-parts/> and choose one of the options to help get the right parts and equipment you are looking for. Please have the machine model and serial number available in order to help us get you the correct parts. If you don't find the part on the website or on one of the online manuals, please fill out the request form and one of our experienced staff members will get back to you with a quote for the right part that your machine needs.

We sell worldwide for the brands: Genie, Terex, JLG, MultiQuip, Mikasa, Essick, Whiteman, Mayco, Toro Stone, Diamond Products, Generac Magnum, Airman, Haulotte, Barreto, Power Blanket, Nifty Lift, Atlas Copco, Chicago Pneumatic, Allmand, Miller Curber, Skyjack, Lull, Skytrak, Tsurumi, Husquvarna Target, Stow, Wacker, Sakai, Mi-T-M, Sullair, Basic, Dynapac, MBW, Weber, Bartell, Bennar Newman, Haulotte, Ditch Runner, Menegotti, Morrison, Contec, Buddy, Crown, Edco, Wyco, Bomag, Laymor, EZ Trench, Bil-Jax, F.S. Curtis, Gehl Pavers, Heli, Honda, ICS/PowerGrit, IHI, Partner, Imer, Clipper, MMD, Koshin, Rice, CH&E, General Equipment, Amida, Coleman, NAC, Gradall, Square Shooter, Kent, Stanley, Tamco, Toku, Hatz, Kohler, Robin, Wisconsin, Northrock, Oztec, Toker TK, Rol-Air, APT, Wylie, Ingersoll Rand / Doosan, Innovatech, Con X, Ammann, Mecalac, Makinex, Smith Surface Prep, Small Line, Wanco, Yanmar