



# SPARE PARTS LIST

SURFACE PREPARATION EQUIPMENT

DC 6000, 2014-03

Go to [Discount-Equipment.com](http://Discount-Equipment.com) to order your parts



# PARTS FINDER

**Search Website  
by Part Number**



**Search Manual  
Library For Parts  
Manual & Lookup Part  
Numbers – Purchase  
or Request Quote**

**Search Manuals**

Enter your information to help us find the right parts manual for your machine.

\* Brand:

\* Model:

\* Serial:

\* Part Number:

SEARCH

**Can't Find Part or  
Manual? Request Help  
by Manufacturer,  
Model & Description**

**Parts Order Form**

Please fill in the following information to help us find the right part for your machine.

|               |                      |
|---------------|----------------------|
| Manufacturer: | <input type="text"/> |
| Model:        | <input type="text"/> |
| Description:  | <input type="text"/> |
| Part Number:  | <input type="text"/> |
| Quantity:     | <input type="text"/> |
| Notes:        | <input type="text"/> |

Submit

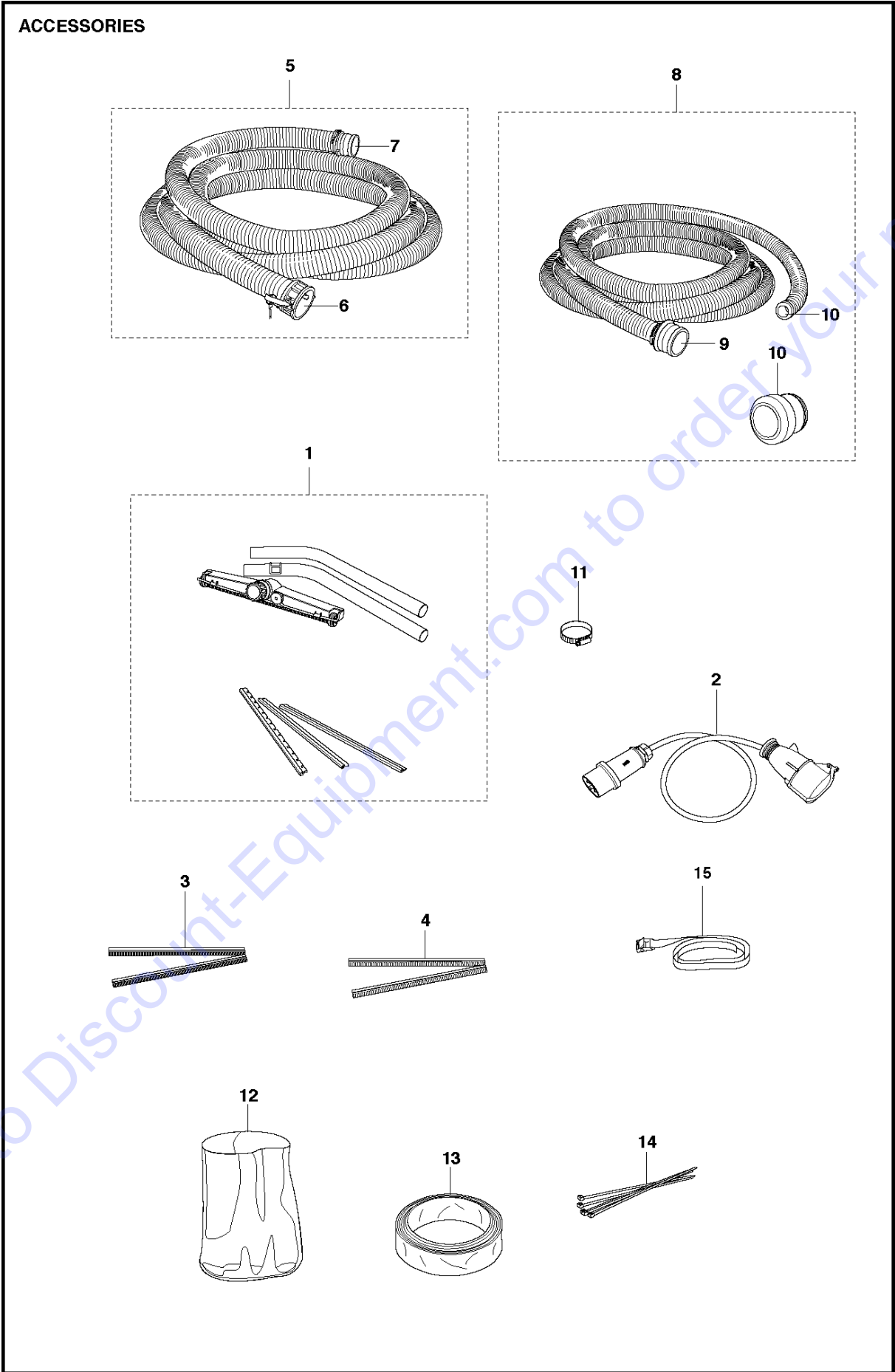
Discount-Equipment.com is your online resource for quality parts & equipment.

Florida: **561-964-4949** Outside Florida TOLL FREE: **877-690-3101**

**Need parts?**

Click on this link: <http://www.discount-equipment.com/category/5443-parts/> and choose one of the options to help get the right parts and equipment you are looking for. Please have the machine model and serial number available in order to help us get you the correct parts. If you don't find the part on the website or on one of the online manuals, please fill out the request form and one of our experienced staff members will get back to you with a quote for the right part that your machine needs.

We sell worldwide for the brands: Genie, Terex, JLG, MultiQuip, Mikasa, Essick, Whiteman, Mayco, Toro Stone, Diamond Products, Generac Magnum, Airman, Haulotte, Barreto, Power Blanket, Nifty Lift, Atlas Copco, Chicago Pneumatic, Allmand, Miller Curber, Skyjack, Lull, Skytrak, Tsurumi, Husquvarna Target, Stow, Wacker, Sakai, Mi-T-M, Sullair, Basic, Dynapac, MBW, Weber, Bartell, Bennar Newman, Haulotte, Ditch Runner, Menegotti, Morrison, Contec, Buddy, Crown, Edco, Wyco, Bomag, Laymor, EZ Trench, Bil-Jax, F.S. Curtis, Gehl Pavers, Heli, Honda, ICS/PowerGrit, IHI, Partner, Imer, Clipper, MMD, Koshin, Rice, CH&E, General Equipment, Amida, Coleman, NAC, Gradall, Square Shooter, Kent, Stanley, Tamco, Toku, Hatz, Kohler, Robin, Wisconsin, Northrock, Oztec, Toker TK, Rol-Air, APT, Wylie, Ingersoll Rand / Doosan, Innovatech, Con X, Ammann, Mecalac, Makinex, Smith Surface Prep, Small Line, Wanco, Yanmar



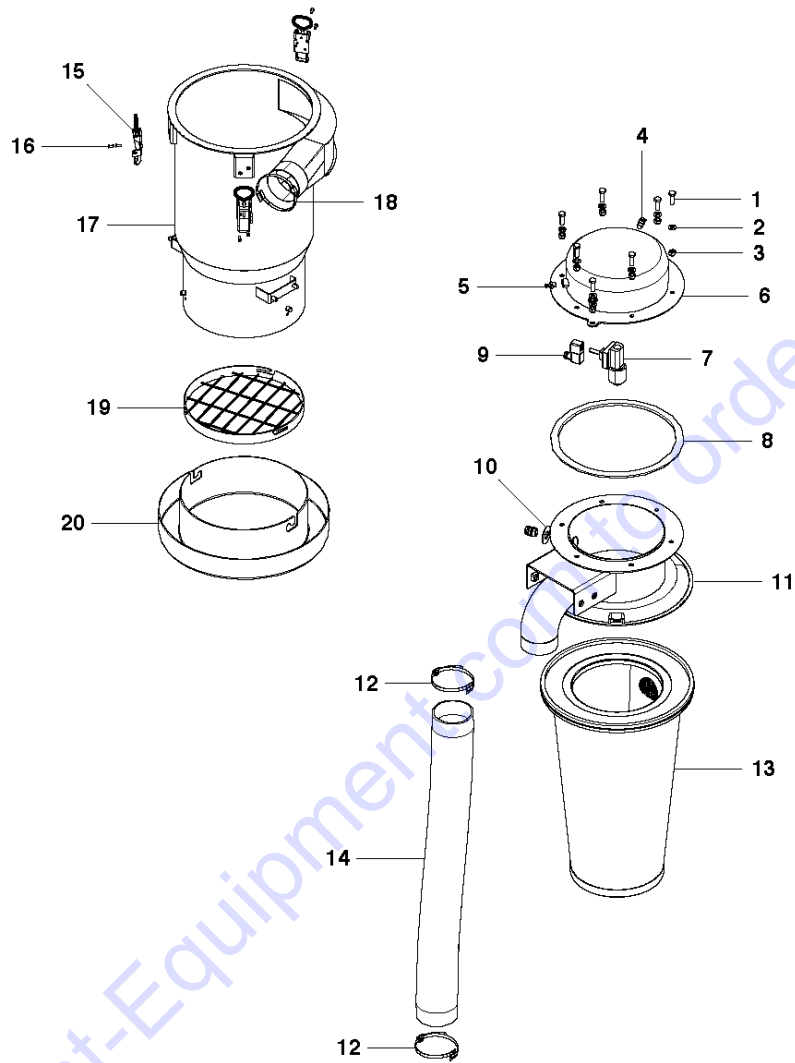
## ACCESSORIES

DC 6000, 2014-03

| Ref | Part No      | Description | Remark              | QTY | KIT |
|-----|--------------|-------------|---------------------|-----|-----|
| 1   | 585 87 09-01 | TOOL        |                     | 1   |     |
| 2   | 586 73 16-01 | CABLE ASSY  | Adapter 32A --> 16A | 1   |     |
| 3   | 510 27 85-01 | TOOL        |                     | 1   |     |
| 4   | 521 91 21-01 | STRIP       |                     | 1   |     |
| 5   | 525 58 46-01 | HOSE KIT    | "3"-hose"           | 1   |     |
| 6   | 502 56 96-04 | COUPLING    |                     | 1   | 5   |
| 7   | 502 56 96-03 | COUPLING    |                     | 1   | 5   |
| 8   | 585 87 10-01 | HOSE KIT    | "2"-hose"           | 1   |     |
| 9   | 502 56 98-03 | HOSING      |                     | 1   | 8   |
| 10  | 585 64 76-01 | ADAPTER     |                     | 1   | 8   |
| 11  | 502 56 96-05 | HOSE CLAMP  |                     | 1   |     |
| 12  | 502 57 01-01 | BAGS        |                     | 1   |     |
| 13  | 584 65 02-01 | BAG         |                     | 1   |     |
| 14  | 586 67 16-01 | TIE STRAP   |                     | 1   |     |
| 15  | 584 61 87-01 | STRAP       |                     | 1   |     |

Go to Discount-Equipment.com to order your parts

FILTER



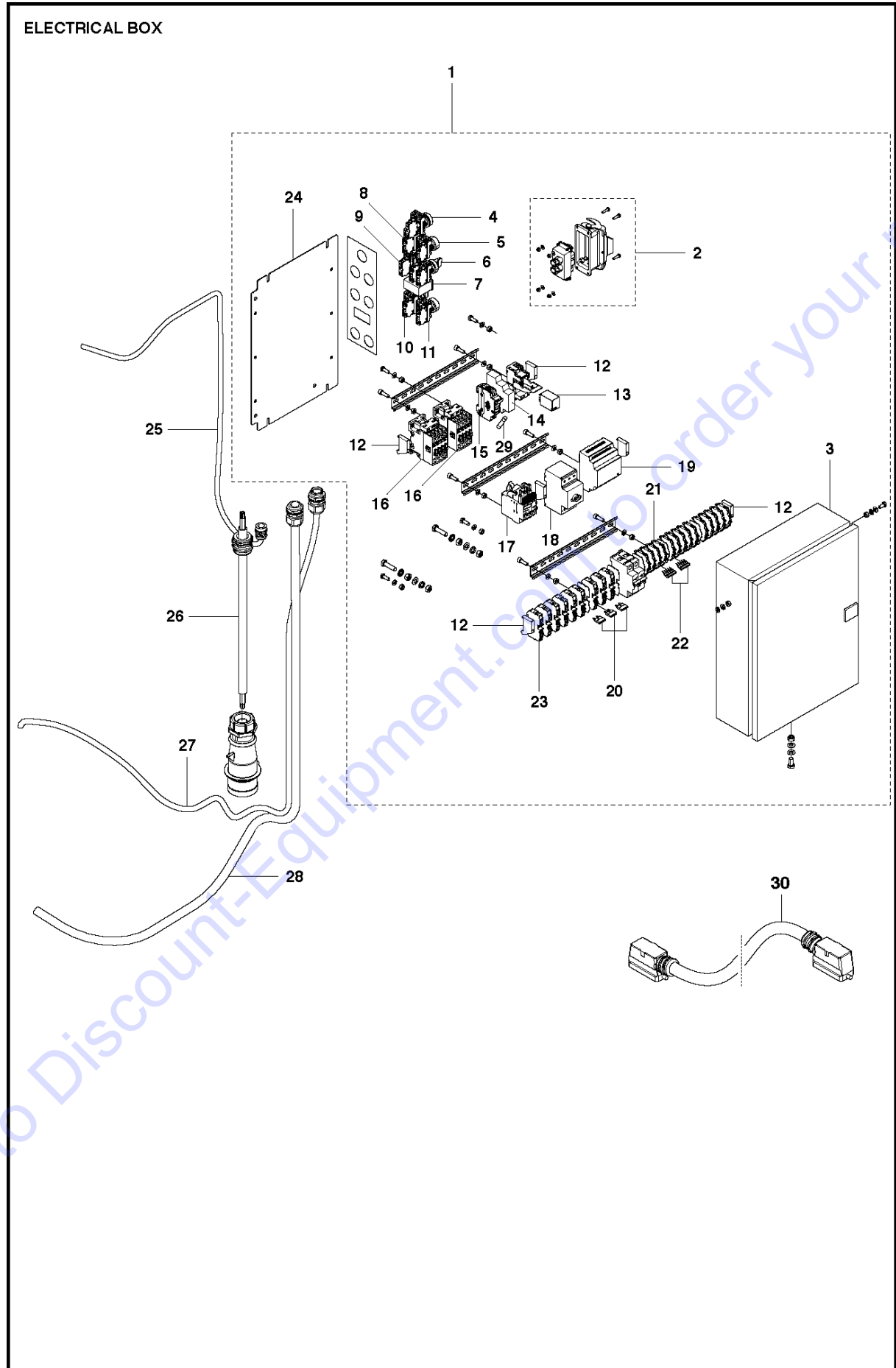
Go to Discount-Equipment.com to order your parts

## AIR FILTER

DC 6000, 2014-03

| Ref | Part No      | Description         | Remark | QTY KIT |
|-----|--------------|---------------------|--------|---------|
| 1   | 725 24 95-71 | SCREW EHHM          |        | 7       |
| 2   | 734 11 72-01 | WASHER              |        | 7       |
| 3   | 732 25 20-01 | HEXAGON LOCKING NUT |        | 7       |
| 4   | 583 95 81-01 | VALVE               |        | 1       |
| 5   | 584 14 73-01 | CONNECTION          |        | 1       |
| 6   | 583 92 10-01 | PRESSURE CHAMBER    |        | 1       |
| 7   | 583 95 80-01 | VALVE               |        | 1       |
| 8   | 504 76 22-01 | SEAL                |        | 1       |
| 9   | 585 66 04-01 | CONNECTOR           |        | 1       |
| 10  | 525 57 03-01 | GROMMET             |        | 1       |
| 11  | 583 94 48-01 | FILTER              |        | 1       |
| 12  | 584 46 94-01 | HOSE CLAMP          |        | 2       |
| 13  | 583 95 78-01 | FILTER              |        | 1       |
| 14  | 584 46 95-02 | HOSE                |        | 1       |
| 15  | 502 57 00-02 | LATCH               |        | 1       |
| 16  | 724 33 29-51 | SCREW CRCSFM        |        | 1       |
| 17  | 583 92 12-01 | TUBE                |        | 1       |
| 18  | 584 46 94-01 | HOSE CLAMP          |        | 1       |
| 19  | 583 88 67-01 | NET                 |        | 1       |
| 20  | 583 87 62-01 | HOLDER              |        | 1       |

Go to Discount-Equipment.com to order your parts



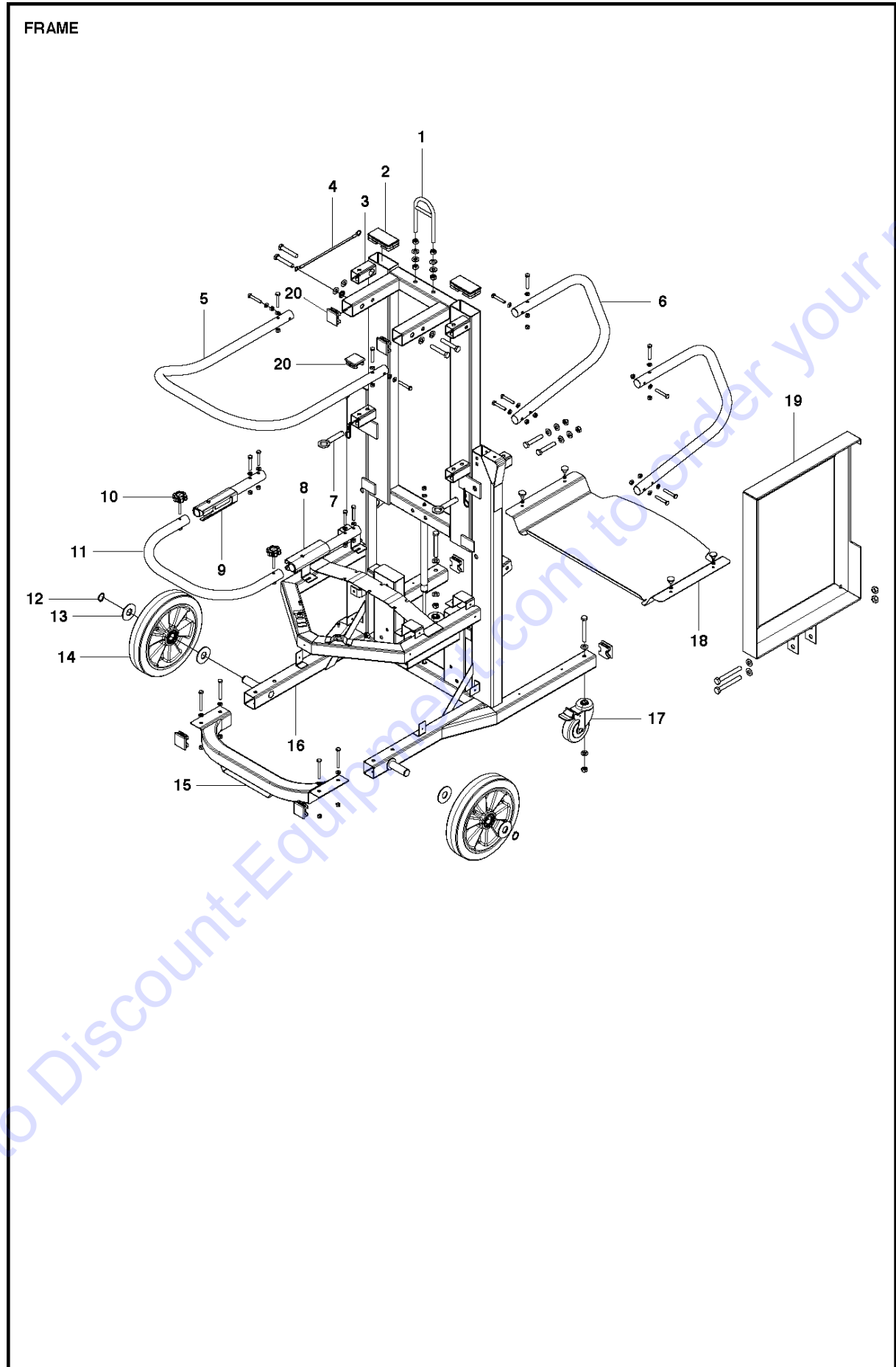
## ELECTRIC BOX

DC 6000, 2014-03

| Ref | Part No      | Description    | Remark                           | QTY KIT |
|-----|--------------|----------------|----------------------------------|---------|
| 1   | 585 15 18-01 | ELECTRONIC BOX |                                  | 1       |
| 2   | 586 74 02-01 | CONNECTOR      |                                  | 1       |
| 3   | 586 46 66-01 | ELECTRONIC BOX |                                  | 1       |
| 4   | 586 74 13-01 | LAMP           |                                  | 1       |
| 5   | 586 87 70-01 | PUSH BUTTON    |                                  | 1       |
| 6   | 586 87 71-01 | SWITCH         |                                  | 1       |
| 7   | 584 29 63-01 | HOUR METER     |                                  | 1       |
| 8   | 586 87 72-01 | PUSH BUTTON    |                                  | 1       |
| 9   | 586 74 20-01 | LAMP           |                                  | 1       |
| 10  | 586 87 80-01 | SWITCH         |                                  | 1       |
| 11  | 586 87 82-01 | PUSH BUTTON    |                                  | 1       |
| 12  | 504 73 99-01 | CLAMP          |                                  | 1       |
| 13  | 584 29 73-01 | RELAY          |                                  | 1       |
| 14  | 585 62 28-01 | RELAY          |                                  | 1       |
| 15  | 585 62 29-01 | FUSE HOLDER    |                                  | 1       |
| 16  | 585 65 36-01 | CONTACTOR      |                                  | 2       |
| 17  | 584 29 78-01 | RELAY          |                                  | 1       |
| 18  | 586 07 97-01 | PROTECTION     |                                  | 1       |
| 19  | 581 92 23-01 | CONTROL UNIT   |                                  | 1       |
| 20  | 585 61 33-01 | TERMINAL BLOCK |                                  | 1       |
| 21  | 585 61 35-01 | TERMINAL BLOCK |                                  | 14      |
| 22  | 585 61 37-01 | TERMINAL BLOCK |                                  | 1       |
| 23  | 585 61 31-01 | TERMINAL BLOCK |                                  | 9       |
| 24  | 585 87 54-01 | PLATE          | -01 EU/AUS / -02 UL/CSA          | 1       |
| 25  | 586 22 48-01 | CABLE ASSY     | -01 EU / -02 AUS / -03<br>UL/CSA | 1       |
| 26  | 586 22 31-01 | CABLE ASSY     | -01 EU/AUS / -02 UL/CSA          | 1       |
| 27  | 586 22 35-01 | CABLE ASSY     | -01 EU/AUS / -02 UL/CSA          | 1       |
| 28  | 586 22 32-01 | CABLE ASSY     |                                  | 1       |
| 29  | 585 66 03-01 | FUSE           |                                  | 1       |
| 30  | 575 31 55-01 | EXTENSION LEAD | CE                               | 1       |
| 30  | 575 31 55-02 | EXTENSION LEAD | UL                               | 1       |
| 30  | 577 20 58-01 | EXTENSION LEAD | JP                               | 1       |

Go to Discount-Equipment.com to order your parts





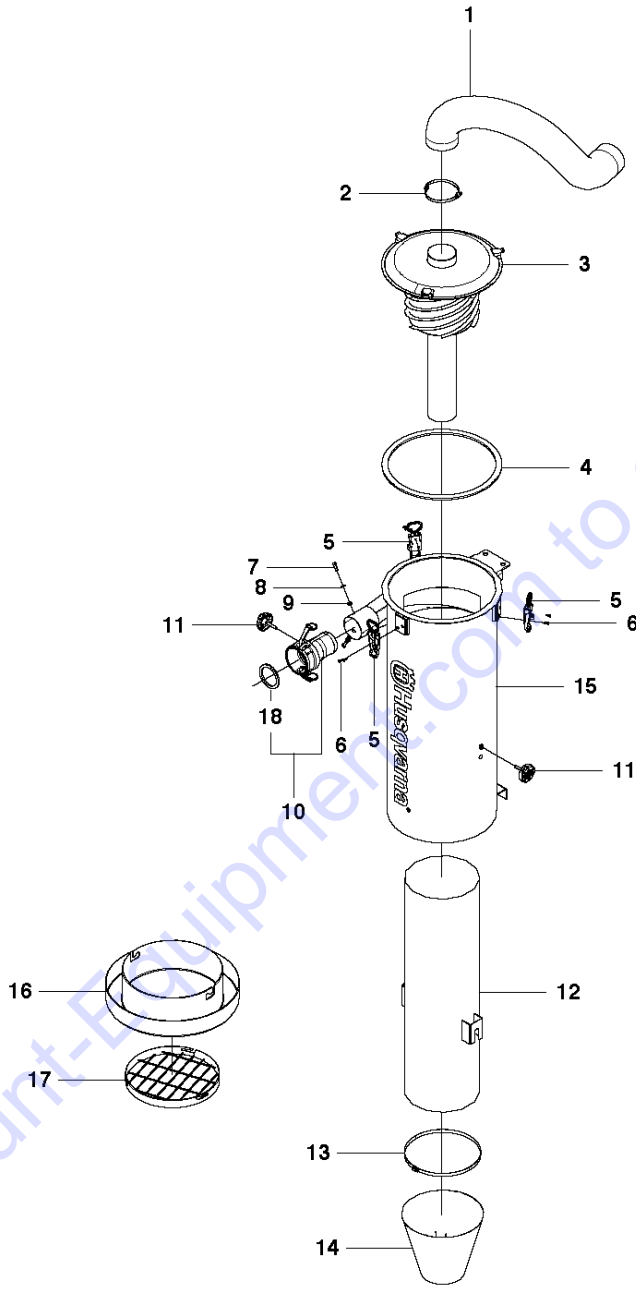
## FRAME

DC 6000, 2014-03

| Ref | Part No      | Description | Remark | QTY KIT |
|-----|--------------|-------------|--------|---------|
| 1   | 585 99 23-01 | LOOP        |        | 1       |
| 2   | 504 75 31-01 | HUB CAP     |        | 1       |
| 3   | 583 86 62-01 | FRAME       |        | 1       |
| 4   | 586 73 14-01 | CABLE ASSY  |        | 1       |
| 5   | 583 86 70-01 | PIPE        |        | 1       |
| 6   | 583 86 79-01 | PIPE        |        | 1       |
| 7   | 583 96 78-01 | PEN         |        | 1       |
| 8   | 584 15 72-02 | BRACKET     |        | 1       |
| 9   | 584 15 72-01 | BRACKET     |        | 1       |
| 10  | 585 22 81-01 | KNOB        |        | 1       |
| 11  | 583 86 72-01 | PIPE        |        | 1       |
| 12  | 735 31 26-00 | CIRCLIP     |        | 1       |
| 13  | 504 75 14-01 | WASHER      |        | 1       |
| 14  | 502 54 50-01 | WHEEL       |        | 1       |
| 15  | 586 04 30-01 | TUBE        |        | 1       |
| 16  | 583 86 63-01 | FRAME       |        | 1       |
| 17  | 502 56 91-01 | WHEEL       |        | 1       |
| 18  | 583 90 79-01 | SHEET       |        | 1       |
| 19  | 585 20 16-01 | FRAME       |        | 1       |
| 20  | 504 75 97-01 | HUB CAP     |        | 2       |

Go to [Discount-Equipment.com](http://Discount-Equipment.com) to order your parts

CYKLON



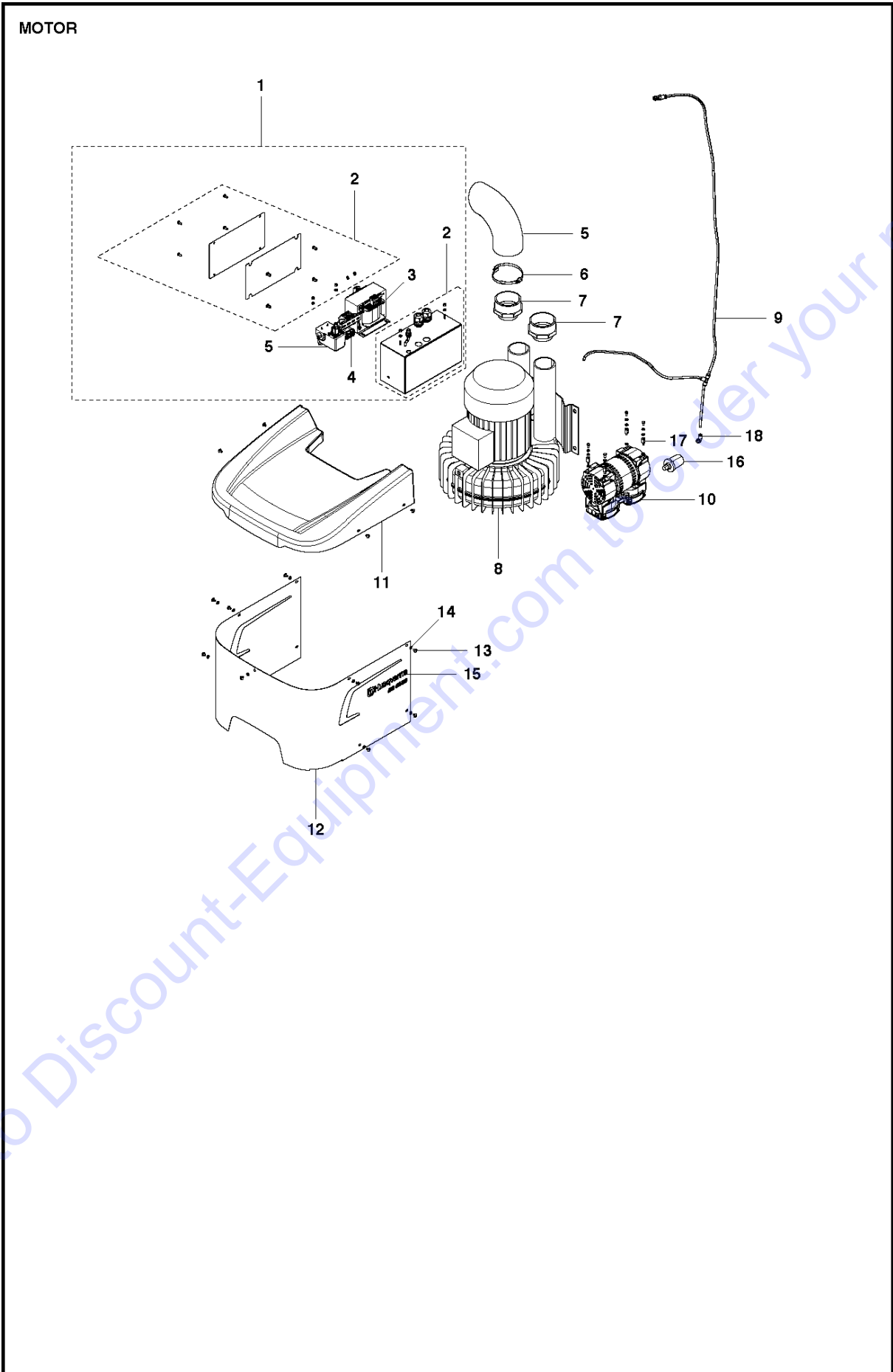
Go to Discount-Equipment.com to order your parts

## HOUSING

DC 6000, 2014-03

| Ref | Part No      | Description  | Remark | QTY | KIT |
|-----|--------------|--------------|--------|-----|-----|
| 1   | 584 46 95-03 | HOSE         |        | 1   |     |
| 2   | 584 46 94-01 | HOSE CLAMP   |        | 1   |     |
| 3   | 581 56 64-01 | FILTER       |        | 1   |     |
| 4   | 504 76 22-01 | SEAL         |        | 1   |     |
| 5   | 502 57 00-02 | LATCH        |        | 3   |     |
| 6   | 724 33 29-51 | SCREW CRCSFM |        | 6   |     |
| 7   | 504 75 02-02 | SCREW IHPANM |        | 2   |     |
| 8   | 734 11 63-60 | WASHER       |        | 2   |     |
| 9   | 586 58 83-01 | CAP NUT      |        | 2   |     |
| 10  | 502 56 96-04 | COUPLING     |        | 1   |     |
| 11  | 504 56 93-01 | TURNING KNOB |        | 2   |     |
| 12  | 583 92 61-01 | TUBE         |        | 1   |     |
| 13  | 583 88 65-01 | HOSE CLAMP   |        | 1   |     |
| 14  | 583 88 63-01 | TUBE         |        | 1   |     |
| 15  | 583 88 75-01 | FILTER       |        | 1   |     |
| 16  | 583 87 62-01 | HOLDER       |        | 1   |     |
| 17  | 583 88 67-01 | NET          |        | 1   |     |
| 18  | 502 53 40-05 | RUBBER RING  |        | 1   | 10  |

Go to [Discount-Equipment.com](http://Discount-Equipment.com) to order your parts



## MOTOR

DC 6000, 2014-03

| Ref | Part No      | Description    | Remark | QTY | KIT |
|-----|--------------|----------------|--------|-----|-----|
| 1   | 586 06 91-01 | ELECTRONIC BOX |        | 1   |     |
| 1   | 586 06 91-02 | ELECTRONIC BOX |        | 1   |     |
| 2   | 586 72 87-01 | ELECTRONIC BOX |        | 1   |     |
| 3   | 584 29 76-01 | TRANSFORMER    | CE/AUS | 1   |     |
| 3   | 584 29 76-02 | TRANSFORMER    | UL/CSA | 1   |     |
| 4   | 586 12 81-01 | CAPACITOR      |        | 1   | 1   |
| 5   | 584 29 86-01 | SWITCH         |        | 1   | 1   |
| 6   | 584 46 94-01 | HOSE CLAMP     |        | 1   |     |
| 7   | 584 41 07-01 | ADAPTER        |        | 2   |     |
| 8   | 583 84 36-01 | MOTOR          | CE/AUS | 1   |     |
| 8   | 583 84 37-02 | MOTOR          | UL/CSA | 1   |     |
| 9   | 586 73 22-01 | HOSE KIT       |        | 1   |     |
| 10  | 584 29 85-01 | MOTOR          |        | 1   |     |
| 11  | 583 89 08-01 | COVER          |        | 1   |     |
| 12  | 583 90 01-01 | SHEET          |        | 1   |     |
| 13  | 535 42 58-01 | SCREW IHPANM   |        | 1   |     |
| 14  | 734 11 52-60 | WASHER         |        | 1   |     |
| 15  | 577 46 90-01 | DECAL          |        | 1   |     |
| 16  | 584 44 33-01 | FILTER         |        | 1   |     |
| 17  | 584 43 89-01 | DISTANCE       |        | 1   |     |
| 18  | 586 06 85-01 | CONNECTION     |        | 1   |     |

Go to Discount-Equipment.com to order your parts

# PARTS FINDER

**Search Website  
by Part Number**



**Search Manual  
Library For Parts  
Manual & Lookup Part  
Numbers – Purchase  
or Request Quote**

**Search Manuals**

Enter your information to help us find the right parts manual for your machine.

\* Brand:

\* Model:

\* Serial:

\* Part Number:

SEARCH

**Can't Find Part or  
Manual? Request Help  
by Manufacturer,  
Model & Description**

**Parts Order Form**

Please fill in the following information to help us find the right part for your machine.

|               |                      |
|---------------|----------------------|
| Manufacturer: | <input type="text"/> |
| Model:        | <input type="text"/> |
| Description:  | <input type="text"/> |
| Part Number:  | <input type="text"/> |
| Quantity:     | <input type="text"/> |
| Notes:        | <input type="text"/> |

Submit

Discount-Equipment.com is your online resource for quality parts & equipment.

Florida: **561-964-4949** Outside Florida TOLL FREE: **877-690-3101**

**Need parts?**

Click on this link: <http://www.discount-equipment.com/category/5443-parts/> and choose one of the options to help get the right parts and equipment you are looking for. Please have the machine model and serial number available in order to help us get you the correct parts. If you don't find the part on the website or on one of the online manuals, please fill out the request form and one of our experienced staff members will get back to you with a quote for the right part that your machine needs.

We sell worldwide for the brands: Genie, Terex, JLG, MultiQuip, Mikasa, Essick, Whiteman, Mayco, Toro Stone, Diamond Products, Generac Magnum, Airman, Haulotte, Barreto, Power Blanket, Nifty Lift, Atlas Copco, Chicago Pneumatic, Allmand, Miller Curber, Skyjack, Lull, Skytrak, Tsurumi, Husquvarna Target, Stow, Wacker, Sakai, Mi-T-M, Sullair, Basic, Dynapac, MBW, Weber, Bartell, Bennar Newman, Haulotte, Ditch Runner, Menegotti, Morrison, Contec, Buddy, Crown, Edco, Wyco, Bomag, Laymor, EZ Trench, Bil-Jax, F.S. Curtis, Gehl Pavers, Heli, Honda, ICS/PowerGrit, IHI, Partner, Imer, Clipper, MMD, Koshin, Rice, CH&E, General Equipment, Amida, Coleman, NAC, Gradall, Square Shooter, Kent, Stanley, Tamco, Toku, Hatz, Kohler, Robin, Wisconsin, Northrock, Oztec, Toker TK, Rol-Air, APT, Wylie, Ingersoll Rand / Doosan, Innovatech, Con X, Ammann, Mecalac, Makinex, Smith Surface Prep, Small Line, Wanco, Yanmar