



SPARE PARTS LIST

DUST AND SLURRY MANAGEMENT

DC 6000, 2016-06

Go to Discount-Equipment.com to order your parts



PARTS FINDER

**Search Website
by Part Number**



**Search Manual
Library For Parts
Manual & Lookup Part
Numbers – Purchase
or Request Quote**

Search Manuals

Enter your information to help us find the right parts manual for your machine.

* Brand:

* Model:

* Serial:

* Part Number:

SEARCH

**Can't Find Part or
Manual? Request Help
by Manufacturer,
Model & Description**

Parts Order Form

Please fill in the following information to help us find the right part for your machine.

Manufacturer:	<input type="text"/>
Model:	<input type="text"/>
Description:	<input type="text"/>
Part Number:	<input type="text"/>
Quantity:	<input type="text"/>
Notes:	<input type="text"/>

Discount-Equipment.com is your online resource for quality parts & equipment.

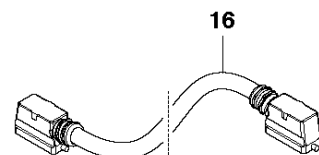
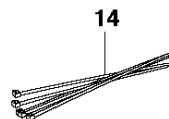
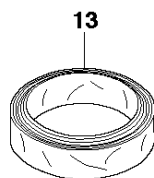
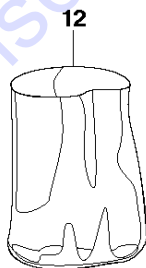
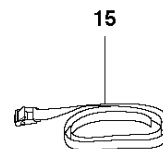
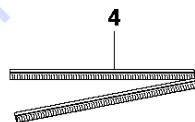
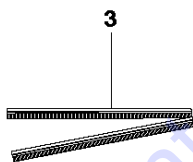
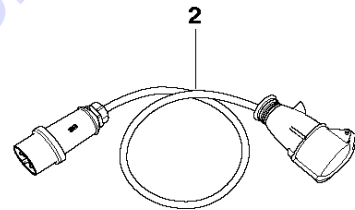
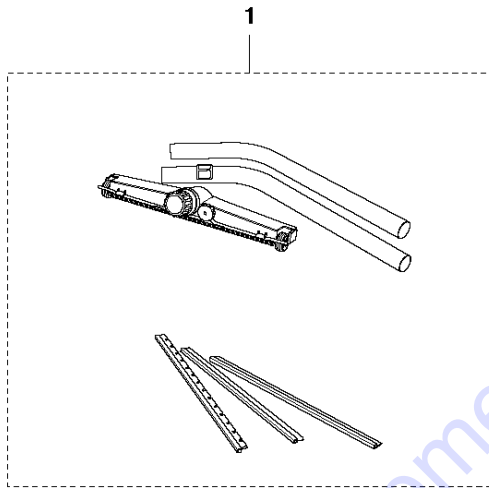
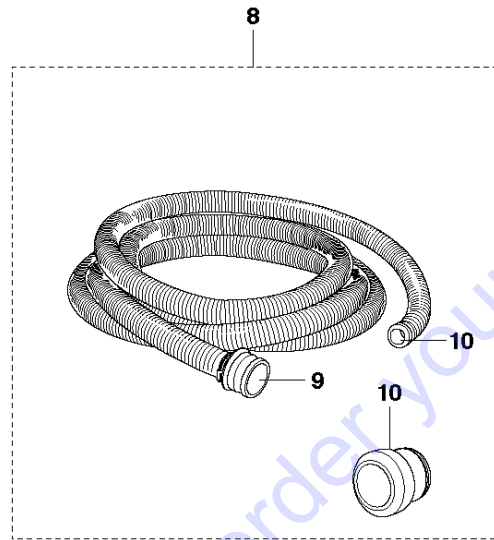
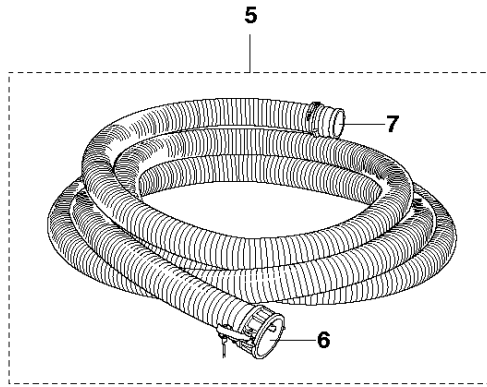
Florida: **561-964-4949** Outside Florida TOLL FREE: **877-690-3101**

Need parts?

Click on this link: <http://www.discount-equipment.com/category/5443-parts/> and choose one of the options to help get the right parts and equipment you are looking for. Please have the machine model and serial number available in order to help us get you the correct parts. If you don't find the part on the website or on one of the online manuals, please fill out the request form and one of our experienced staff members will get back to you with a quote for the right part that your machine needs.

We sell worldwide for the brands: Genie, Terex, JLG, MultiQuip, Mikasa, Essick, Whiteman, Mayco, Toro Stone, Diamond Products, Generac Magnum, Airman, Haulotte, Barreto, Power Blanket, Nifty Lift, Atlas Copco, Chicago Pneumatic, Allmand, Miller Curber, Skyjack, Lull, Skytrak, Tsurumi, Husquvarna Target, Stow, Wacker, Sakai, Mi-T-M, Sullair, Basic, Dynapac, MBW, Weber, Bartell, Bennar Newman, Haulotte, Ditch Runner, Menegotti, Morrison, Contec, Buddy, Crown, Edco, Wyco, Bomag, Laymor, EZ Trench, Bil-Jax, F.S. Curtis, Gehl Pavers, Heli, Honda, ICS/PowerGrit, IHI, Partner, Imer, Clipper, MMD, Koshin, Rice, CH&E, General Equipment, Amida, Coleman, NAC, Gradall, Square Shooter, Kent, Stanley, Tamco, Toku, Hatz, Kohler, Robin, Wisconsin, Northrock, Oztec, Toker TK, Rol-Air, APT, Wylie, Ingersoll Rand / Doosan, Innovatech, Con X, Ammann, Mecalac, Makinex, Smith Surface Prep, Small Line, Wanco, Yanmar

A DC6000
ACCESSORIES



Go to Discount-Equipment.com to order your parts

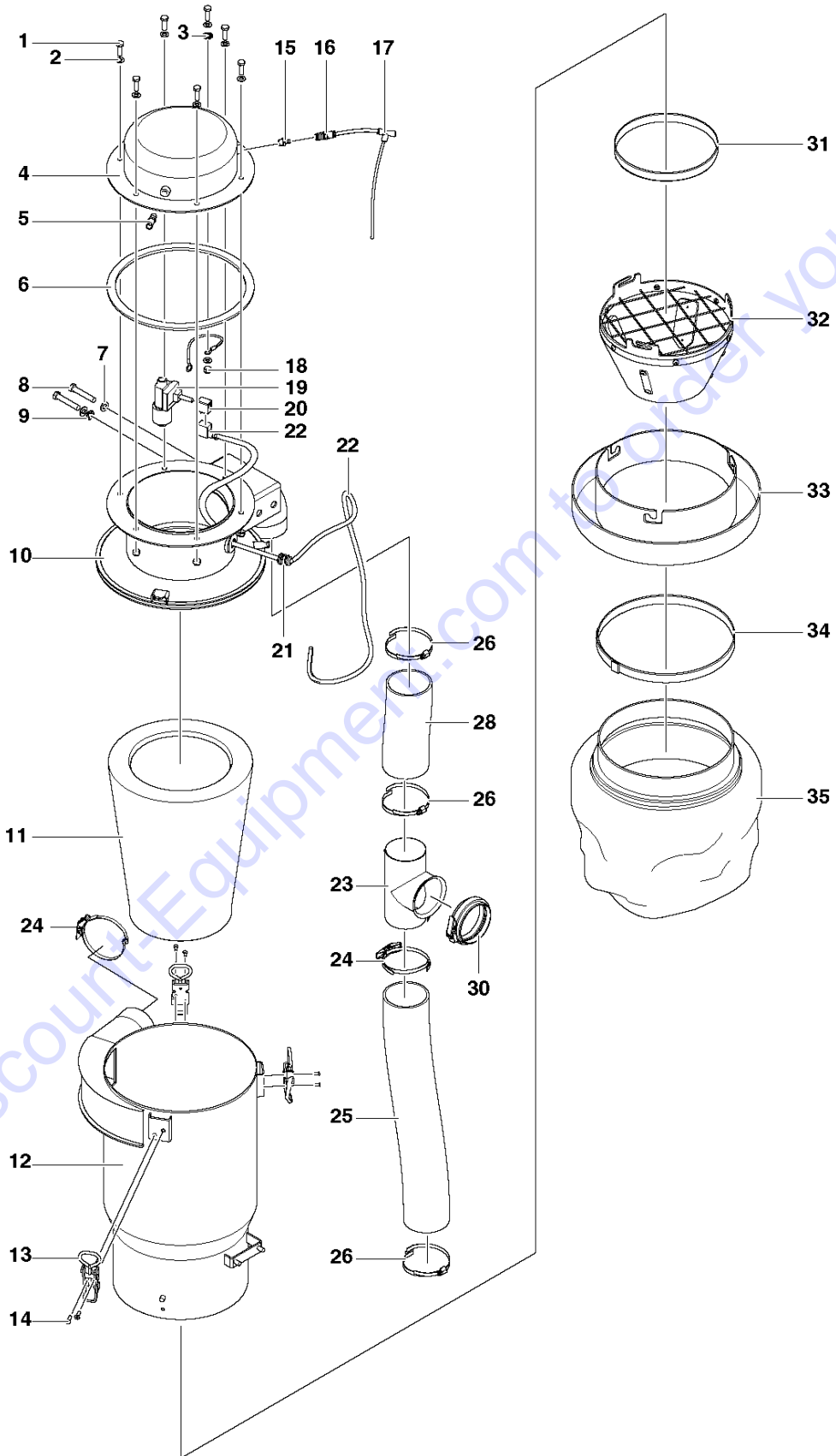
ACCESSORIES

DC 6000, 2016-06

Ref	Part No	Description	Remark	QTY	KIT
1	585 87 09-01	TOOL		1	
2	586 73 16-01	CABLE ASSY	Adapter 32A --> 16A	1	
3	510 27 85-01	TOOL		1	
4	521 91 21-01	STRIP		1	
5	525 58 46-01	HOSE KIT	"3"-hose"	1	
6	502 56 96-04	COUPLING		1	5
7	502 56 96-03	COUPLING		1	5
8	585 87 10-01	HOSE KIT	"2"-hose"	1	
9	502 56 98-03	HOSING		1	8
10	585 64 76-01	ADAPTER		1	8
11	502 56 96-05	HOSE CLAMP		1	
12	502 57 01-01	BAGS		1	
13	584 65 02-01	BAG		1	
14	586 67 16-01	TIE STRAP		1	
15	584 61 87-01	STRAP		1	
16	575 31 55-01	EXTENSION LEAD	CE	1	
16	575 31 55-02	EXTENSION JOINT	UL	1	
16	577 20 58-01	EXTENSION JOINT	JP	1	

Go to Discount-Equipment.com to order your parts

D DC6000
FILTER

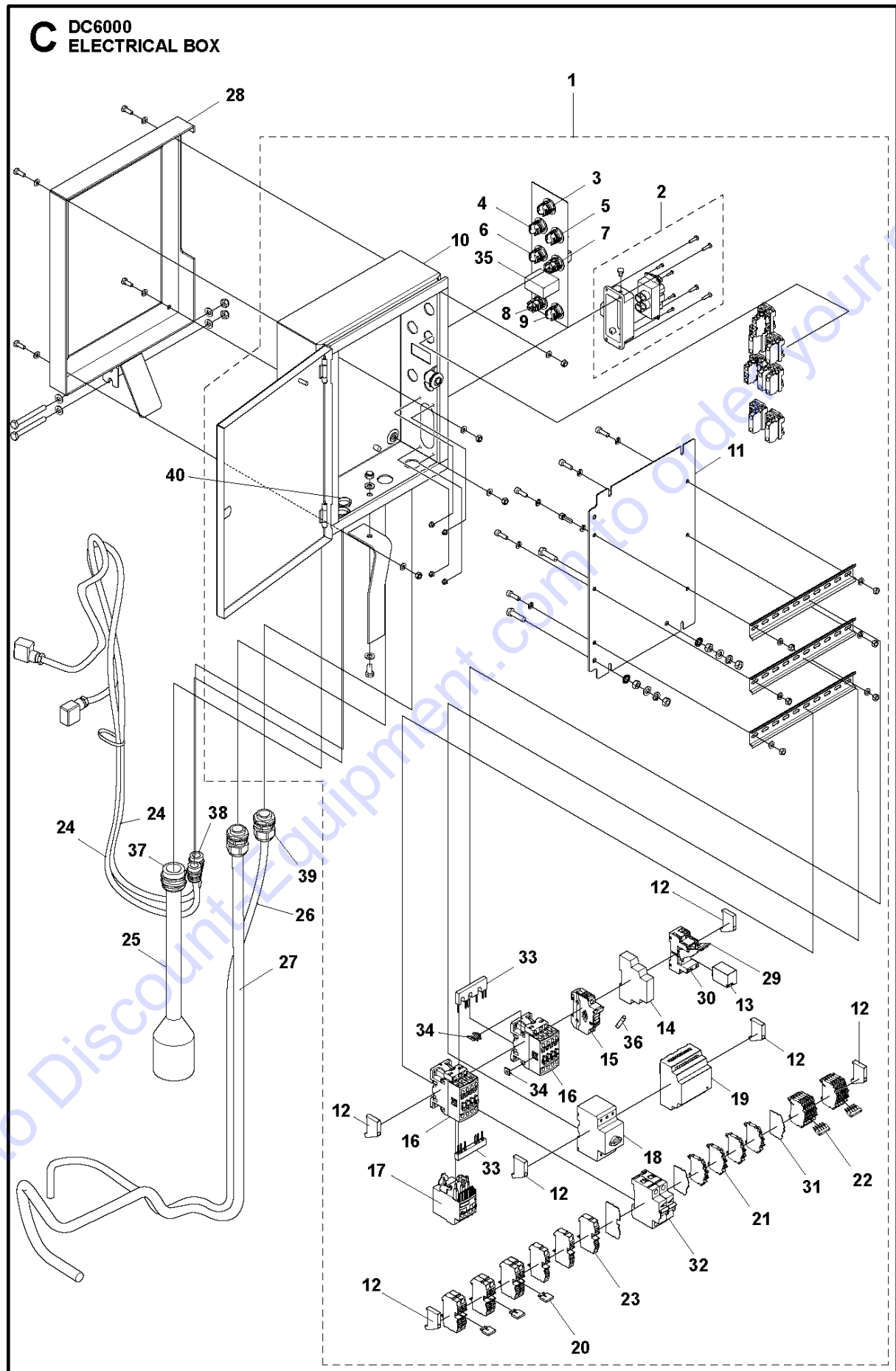


AIR FILTER

DC 6000, 2016-06

Ref	Part No	Description	Remark	QTY KIT
1	725 24 95-71	SCREW EHHM		7
2	734 11 72-01	WASHER		7
3	732 25 20-01	HEXAGON LOCKING NUT		7
4	583 92 10-01	PRESSURE CHAMBER		1
5	583 95 81-01	VALVE		1
6	504 76 22-01	SEAL		1
7	734 11 78-01	WASHER		4
8	725 25 46-71	SCREW EHHM		4
9	586 06 14-02	WASHER		2
10	583 94 48-01	FILTER		1
11	579 75 88-01	FILTER		1
12	583 92 12-01	TUBE		1
13	582 59 70-01	LATCH		3
14	724 33 29-51	SCREW CRCSFM		6
15	584 14 73-01	CONNECTION		1
16	584 14 72-01	CONNECTION		1
17	579 81 00-01	CONNECTION		1
18	732 25 20-01	HEXAGON LOCKING NUT		7
19	583 95 80-01	VALVE		1
20	584 29 87-01	COIL		1
21	525 57 03-01	GROMMET		1
22	586 22 48-01	CABLE ASSY	EU/AUS	1
22	586 22 48-02	CABLE ASSY	US	1
23	501 85 69-01	PIPE		1
24	579 77 68-01	HOSE CLAMP		2
25	584 46 95-05	HOSE		1
26	584 46 94-01	HOSE CLAMP		5
28	584 46 95-04	HOSE		1
30	579 77 66-01	CLAMP		1
31	583 88 65-01	HOSE CLAMP		1
32	582 00 13-01	NET		1
33	583 87 62-01	HOLDER		1
34	584 61 87-01	STRAP		1
35	584 65 02-01	BAG		1

Go to Discount-Equipment.com to order your parts



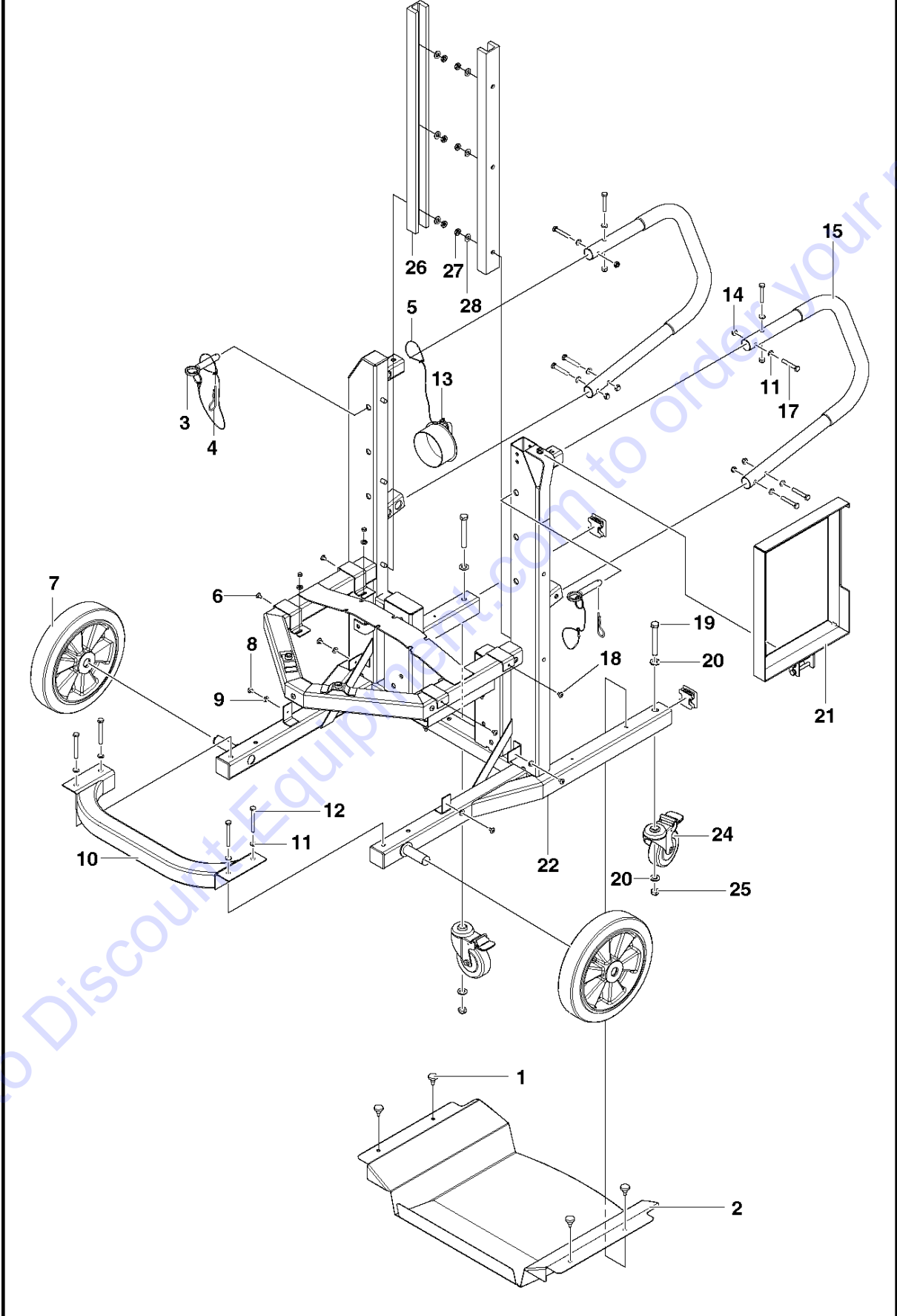
ELECTRIC BOX

DC 6000, 2016-06

Ref	Part No	Description	Remark	QTY KIT
1	585 15 18-01	ELECTRONIC BOX		1
2	586 74 02-01	CONNECTOR		1
3	586 74 13-01	LAMP		1
4	586 87 70-01	PUSH BUTTON		1
5	586 87 72-01	PUSH BUTTON		1
6	586 87 71-01	SWITCH		1
7	586 74 20-01	LAMP		1
8	586 87 82-01	PUSH BUTTON		1
9	586 87 80-01	SWITCH		1
10	586 46 66-01	ELECTRONIC BOX		1
11	585 87 54-01	PLATE	-01 EU/AUS / -02 UL/CSA	1
12	504 73 99-01	CLAMP		4
13	584 29 73-01	RELAY		1
14	585 62 28-01	RELAY		1
15	585 62 29-01	FUSE HOLDER		1
16	585 65 36-01	CONTACTOR		2
17	584 29 78-01	RELAY		1
18	586 07 97-01	PROTECTION		1
19	581 92 23-02	CONTROL UNIT		1
20	585 61 33-01	TERMINAL BLOCK		1
21	585 61 35-01	TERMINAL BLOCK		14
22	585 61 37-01	TERMINAL BLOCK		1
23	585 61 31-01	TERMINAL BLOCK		9
24	586 22 48-01	CABLE ASSY	-01 EU / -02 AUS / -03 UL/CSA	1
25	586 22 31-01	CABLE ASSY	-01 EU/AUS / -02 UL/CSA	1
26	586 22 35-01	CABLE ASSY	-01 EU/AUS / -02 UL/CSA	1
27	586 22 32-01	CABLE ASSY		1
28	585 20 16-01	FRAME		1
29	584 29 75-01	HOLDER		1
30	584 29 74-01	SOCKET		1
31	585 61 39-01	TERMINAL BLOCK		1
32	584 29 84-01	CIRCUIT BREAKER		1
33	585 65 04-01	CONNECTION		2
34	585 64 92-01	INTERLOCK		2
35	584 29 63-01	HOUR METER		1
36	585 66 03-01	FUSE		1
37	525 57 03-02	GROMMET		1
38	525 57 03-01	GROMMET		2
39	516 06 18-01	GROMMET		2
40	510 43 18-01	NUT		2

Go to Discount-Equipment.com to order your parts

F DC6000
LOWER FRAME



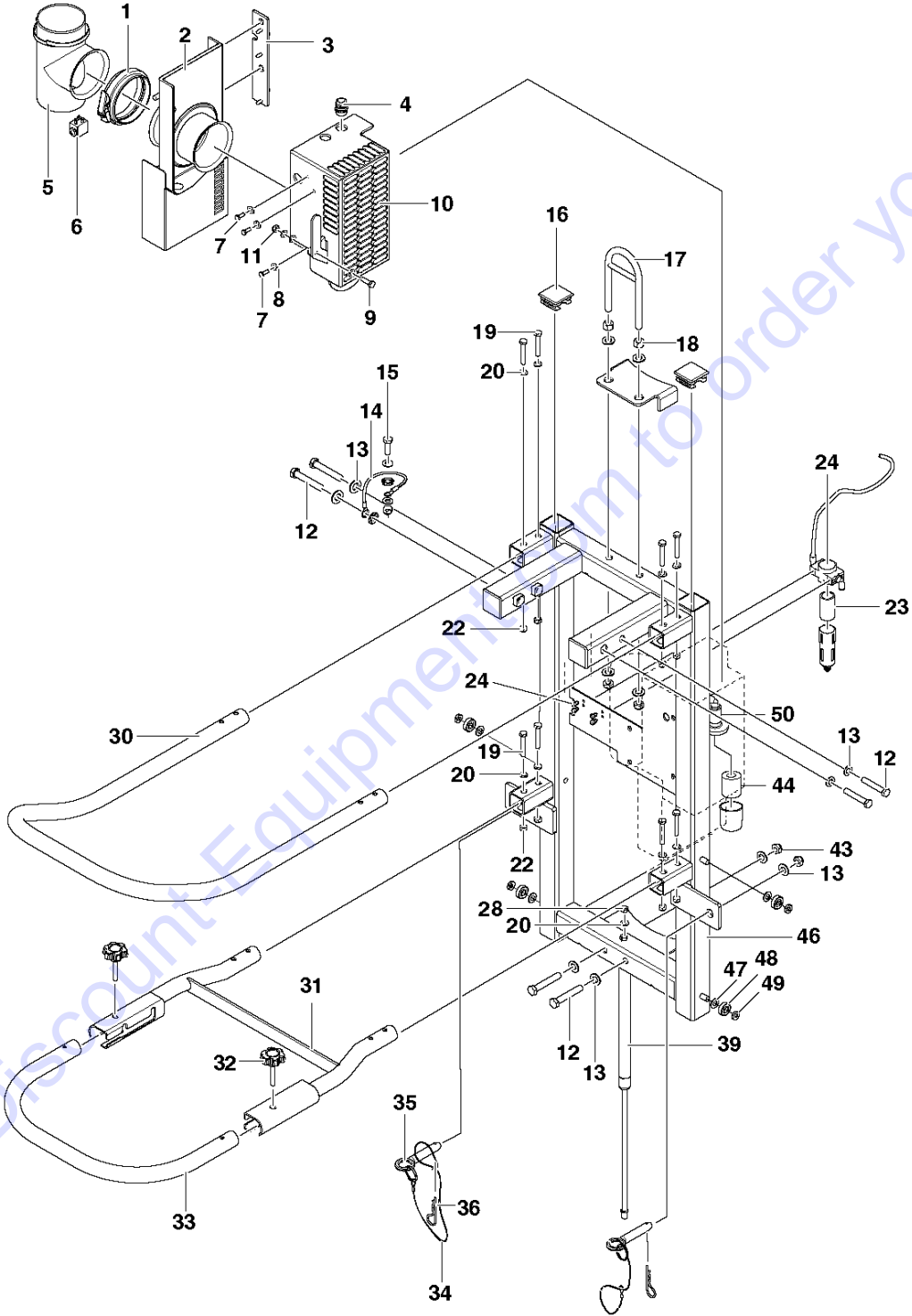
FRAME

DC 6000, 2016-06

Ref	Part No	Description	Remark	QTY KIT
1	510 36 16-01	SCREW		4
2	579 80 99-01	SHEET		1
3	582 13 78-01	PIN		2
4	582 13 54-01	GAS SPRING		2
5	582 18 38-01	WIRE		1
6	535 42 58-01	SCREW IHPANM		1
7	502 54 50-01	WHEEL		2
8	535 42 58-01	SCREW IHPANM		8
9	734 11 52-60	WASHER		8
10	586 04 30-01	TUBE		1
11	734 11 63-01	WASHER		13
12	725 24 65-71	SCREW EHHM		4
13	582 18 12-01	LID		1
14	732 25 18-01	HEXAGON LOCKING NUT		12
15	583 86 79-01	PIPE		2
17	725 24 61-71	SCREW EHHM		8
18	583 90 79-01	SHEET		1
19	725 25 50-71	SCREW EHHM		2
20	734 11 78-01	WASHER		4
21	585 20 16-01	FRAME		1
22	582 41 96-01	FRAME	Complete frame	1
24	502 56 91-01	WHEEL		2
25	732 25 22-01	HEXAGON LOCKING NUT		2
26	579 81 29-01	RAIL		2
27	731 43 20-01	HEXAGON THIN NUT		6
28	734 11 72-01	WASHER		6

Go to Discount-Equipment.com to order your parts

E DC6000
UPPER FRAME



Go to Discount Equipment from to order your parts

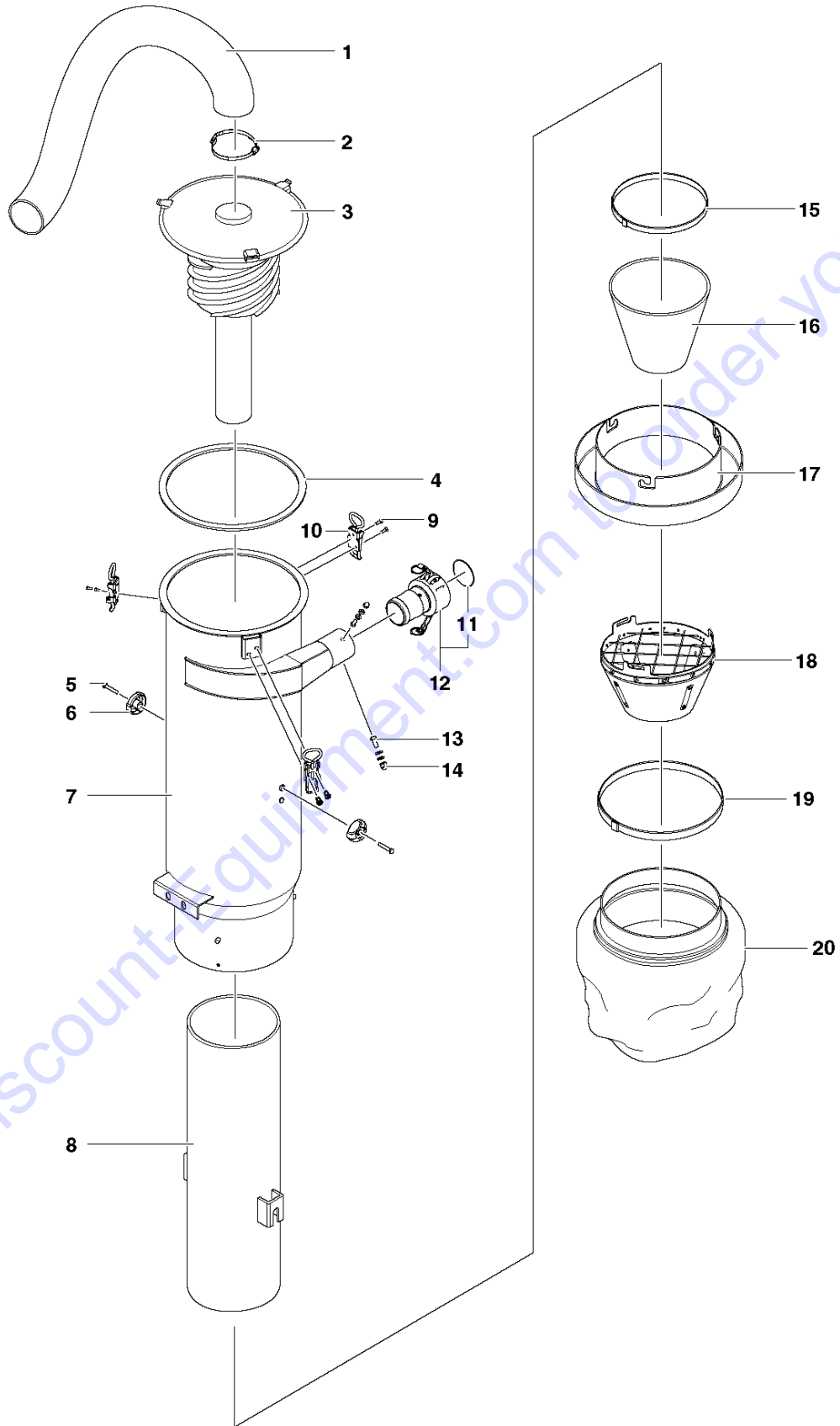
FRAME

DC 6000, 2016-06

Ref	Part No	Description	Remark	QTY KIT
1	579 77 66-01	CLAMP		1
2	589 00 38-01	VALVE		1
3	579 79 51-01	PLATE		1
4	525 57 03-01	GROMMET		1
5	501 85 69-01	PIPE		1
6	584 29 87-01	COIL		1
7	725 23 68-71	SCREW EHHM		3
8	734 11 52-01	WASHER		9
9	725 24 53-71	SCREW EHHM		1
10	579 80 52-01	PLATE		1
11	732 25 18-01	HEXAGON LOCKING NUT		1
12	725 25 46-71	SCREW EHHM		6
13	734 11 78-01	WASHER		6
14	586 73 14-01	CABLE ASSY		1
15	725 24 95-71	SCREW EHHM		2
16	504 75 97-01	HUB CAP		4
17	585 99 23-01	LOOP		1
18	731 23 22-01	HEXAGON NUT		2
19	725 24 61-71	SCREW EHHM		8
20	734 11 63-01	WASHER		9
22	732 25 18-01	HEXAGON LOCKING NUT		8
23	582 20 02-01	FILTER		1
24	582 82 30-01	AIR FILTER	Incl. 23	1
28	731 23 18-01	HEXAGON NUT		1
30	579 81 30-01	TUBE		1
31	579 81 31-01	HOLDER		1
32	585 22 81-01	KNOB		2
33	583 86 72-01	PIPE		1
34	582 18 38-01	WIRE		1
35	582 13 78-01	PIN		2
36	721 68 02-51	SPRING COTTER		2
39	582 13 54-01	GAS SPRING		1
43	732 25 22-01	HEXAGON LOCKING NUT		2
44	582 31 99-01	FILTER		1
46	588 91 43-01	FRAME		1
47	734 11 72-01	WASHER		4
48	588 91 47-01	BEARING		4
49	731 43 20-01	HEXAGON THIN NUT		4
50	584 44 33-01	FILTER	Incl. 44	1

Go to Discount-Equipment.com to order your parts

B DC6000
CYKLON



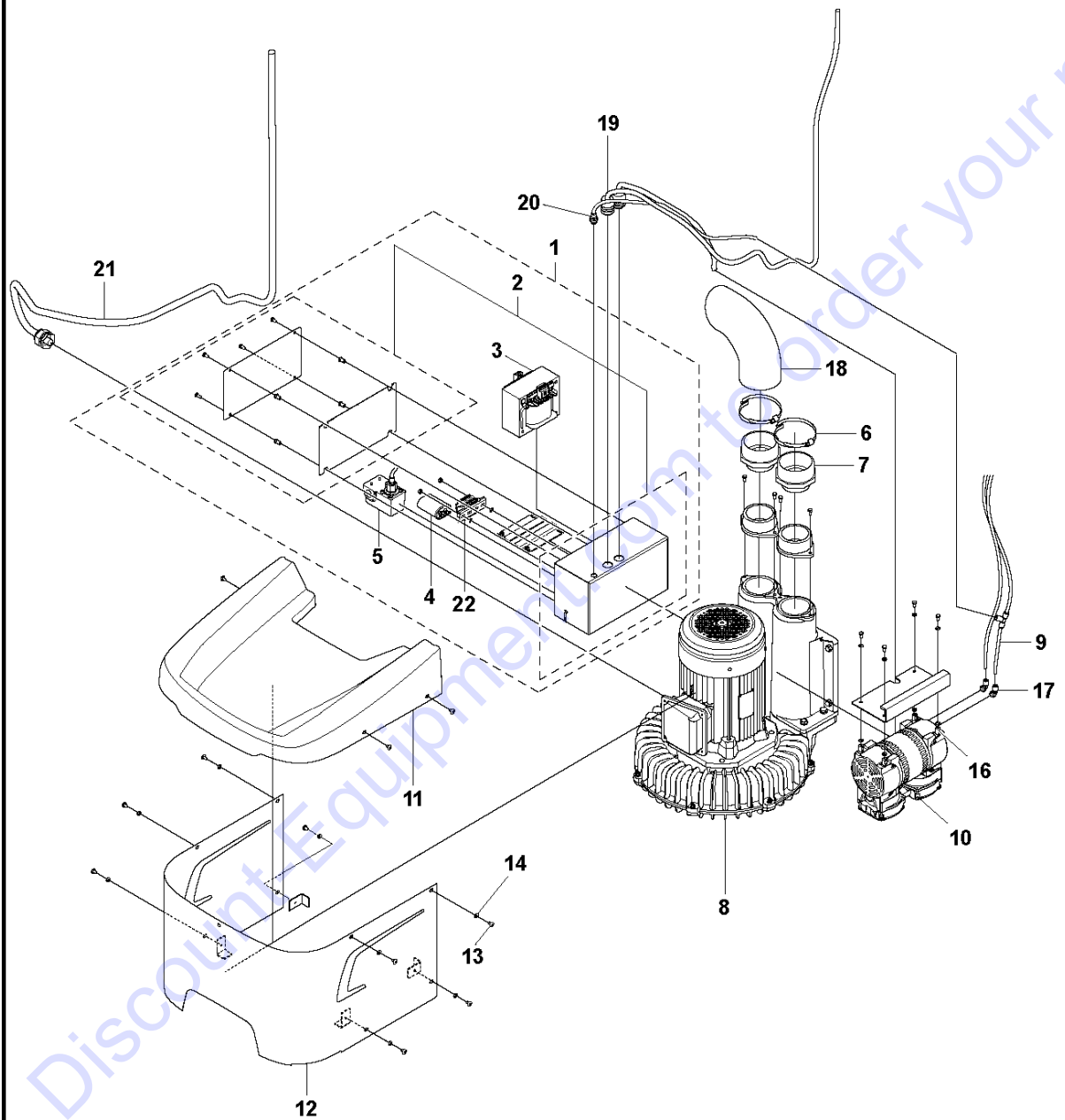
HOUSING

DC 6000, 2016-06

Ref	Part No	Description	Remark	QTY	KIT
1	584 46 95-03	HOSE		1	
2	584 46 94-01	HOSE CLAMP		1	
3	581 56 64-01	FILTER		1	
4	504 76 22-01	SEAL		1	
5	725 24 60-71	SCREW EHHM		2	
6	504 56 93-01	TURNING KNOB		2	
7	583 88 75-01	FILTER		1	
8	734 11 63-60	WASHER		2	
9	724 33 29-51	SCREW CRCSFM		6	
10	582 59 70-01	LATCH		3	
11	502 53 40-05	RUBBER RING		1	12
12	502 56 96-04	COUPLING		1	
13	504 75 02-02	SCREW IHPANM		2	
14	586 58 83-01	CAP NUT		2	
15	583 88 65-01	HOSE CLAMP		1	
16	583 88 63-01	TUBE		1	
17	583 87 62-01	HOLDER		1	
18	582 00 13-01	NET		1	
19	584 61 87-01	STRAP		1	
20	584 65 02-01	BAG		1	

Go to Discount-Equipment.com to order your parts

G DC 6000
MOTOR



 **Husqvarna**
DC-6000

MOTOR

DC 6000, 2016-06

Ref	Part No	Description	Remark	QTY	KIT
1	586 06 91-01	ELECTRONIC BOX		1	
1	586 06 91-02	ELECTRONIC BOX		1	
2	586 72 87-01	ELECTRONIC BOX		1	
3	584 29 76-01	TRANSFORMER	CE/AUS	1	
3	584 29 76-02	TRANSFORMER	UL/CSA	1	
4	586 12 81-01	CAPACITOR		1	1
5	584 29 86-01	SWITCH		1	1
6	584 46 94-01	HOSE CLAMP		2	
7	584 41 07-01	ADAPTER		2	
8	583 84 36-01	MOTOR	CE/AUS	1	
8	583 84 37-02	MOTOR	UL/CSA	1	
9	584 39 53-06	HOSE		1	
10	584 29 85-01	MOTOR		1	
11	583 89 08-01	COVER		1	
12	583 90 01-01	SHEET		1	
13	535 42 58-01	SCREW IH PANM		1	
14	734 11 52-60	WASHER		1	
15	577 46 90-01	DECAL		1	
16	584 43 89-01	DISTANCE		4	
17	586 06 85-01	CONNECTION		2	
18	585 21 48-01	TUBE		1	
19	586 22 35-01	CABLE ASSY	EU/AUS	1	
19	586 22 35-02	CABLE ASSY	US	1	
20	584 39 53-01	HOSE		1	
21	586 22 32-01	CABLE ASSY	EU/AUS, incl. Grommet	1	
21	586 22 32-02	CABLE ASSY	US, incl. Grommet	1	
22	586 06 98-02	RAIL		1	

Go to Discount-Equipment.com to order your parts

PARTS FINDER

**Search Website
by Part Number**



**Search Manual
Library For Parts
Manual & Lookup Part
Numbers – Purchase
or Request Quote**

Search Manuals

Enter your information to help us find the right parts manual for your machine.

* Brand:

* Model:

* Serial:

* Part Number:

SEARCH

**Can't Find Part or
Manual? Request Help
by Manufacturer,
Model & Description**

Parts Order Form

Please fill in the following information to help us find the right part for your machine.

Manufacturer:	<input type="text"/>
Model:	<input type="text"/>
Description:	<input type="text"/>
Part Number:	<input type="text"/>
Quantity:	<input type="text"/>
Notes:	<input type="text"/>

Discount-Equipment.com is your online resource for quality parts & equipment.

Florida: **561-964-4949** Outside Florida TOLL FREE: **877-690-3101**

Need parts?

Click on this link: <http://www.discount-equipment.com/category/5443-parts/> and choose one of the options to help get the right parts and equipment you are looking for. Please have the machine model and serial number available in order to help us get you the correct parts. If you don't find the part on the website or on one of the online manuals, please fill out the request form and one of our experienced staff members will get back to you with a quote for the right part that your machine needs.

We sell worldwide for the brands: Genie, Terex, JLG, MultiQuip, Mikasa, Essick, Whiteman, Mayco, Toro Stone, Diamond Products, Generac Magnum, Airman, Haulotte, Barreto, Power Blanket, Nifty Lift, Atlas Copco, Chicago Pneumatic, Allmand, Miller Curber, Skyjack, Lull, Skytrak, Tsurumi, Husquvarna Target, Stow, Wacker, Sakai, Mi-T-M, Sullair, Basic, Dynapac, MBW, Weber, Bartell, Bennar Newman, Haulotte, Ditch Runner, Menegotti, Morrison, Contec, Buddy, Crown, Edco, Wyco, Bomag, Laymor, EZ Trench, Bil-Jax, F.S. Curtis, Gehl Pavers, Heli, Honda, ICS/PowerGrit, IHI, Partner, Imer, Clipper, MMD, Koshin, Rice, CH&E, General Equipment, Amida, Coleman, NAC, Gradall, Square Shooter, Kent, Stanley, Tamco, Toku, Hatz, Kohler, Robin, Wisconsin, Northrock, Oztec, Toker TK, Rol-Air, APT, Wylie, Ingersoll Rand / Doosan, Innovatech, Con X, Ammann, Mecalac, Makinex, Smith Surface Prep, Small Line, Wanco, Yanmar