

SPARE PARTS CATALOG

OFFICE PRO 12



MOVINCOOL®
THE #1 SPOT COOLING SOLUTION

Table of Contents

No.	UNIT PART NUMBER	PRODUCTION PERIOD	REFRIGERANT	SECTION	ISSUE DATE (mm/yy)
1	GX484000-3780	FROM January 2008 (0108) TO Present	R410A	Page 1 ~ 13 SP0017-00	06/08
2	GX484000-3740	FROM April 2007 (0407) TO December 2007 (1207)	R22	Page 15 ~ 25 SP0016-00	06/08
3	LA484000-3390	FROM February 1998 (0298) TO March 2007 (0307)	R22	Page 27 ~ 37 SP0015-00	06/08
	LA484000-2181				

© 2008 DENSO SALES CALIFORNIA, INC.

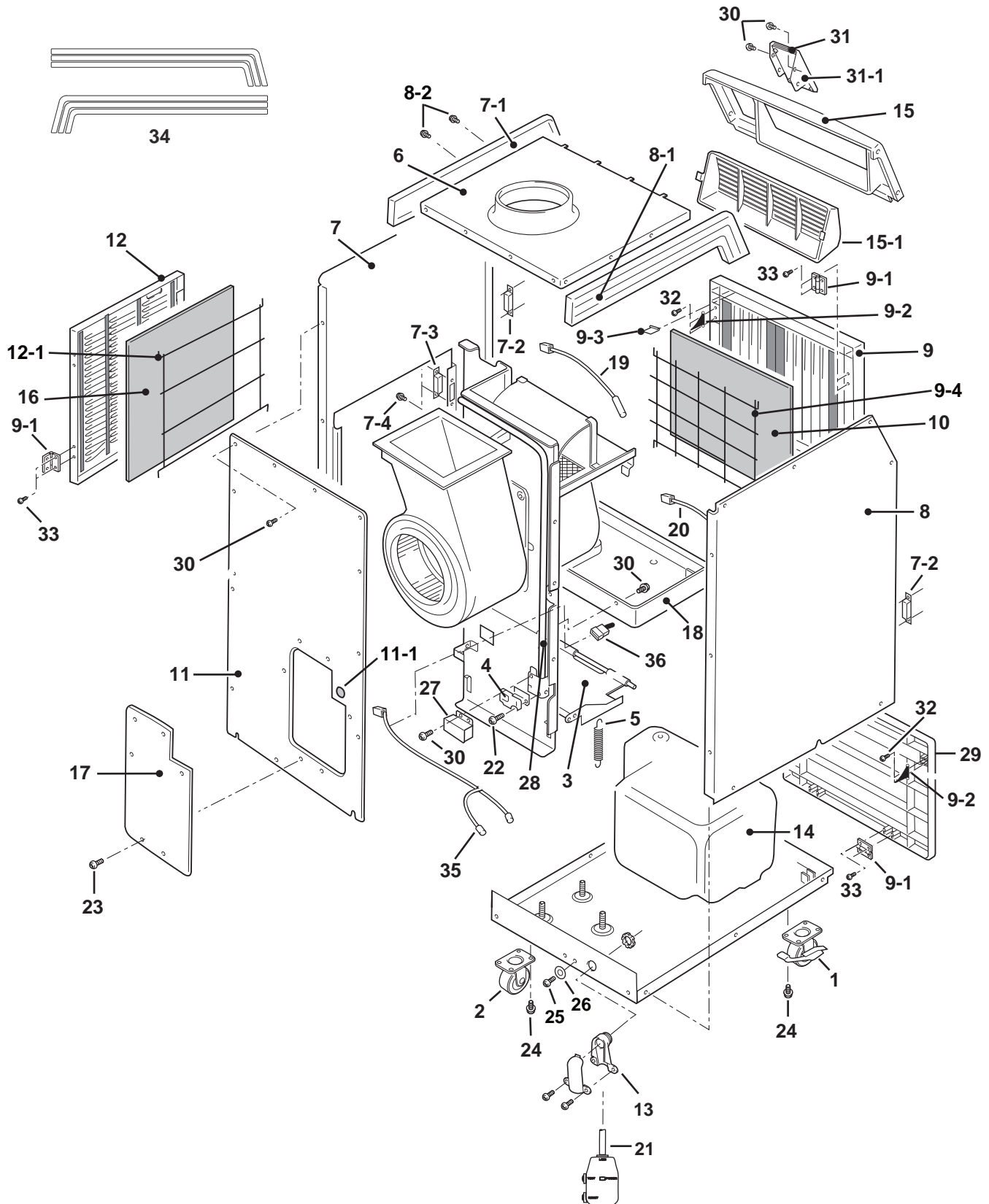
All rights reserved. This book may not be reproduced or copied, in whole or in part, without the written permission of the publisher. DENSO SALES CALIFORNIA, INC. reserves the right to make changes without prior notice. MovinCool is a registered trademark of DENSO Corporation.

OFFICE PRO 12

Unit Part No: GX484000-3780

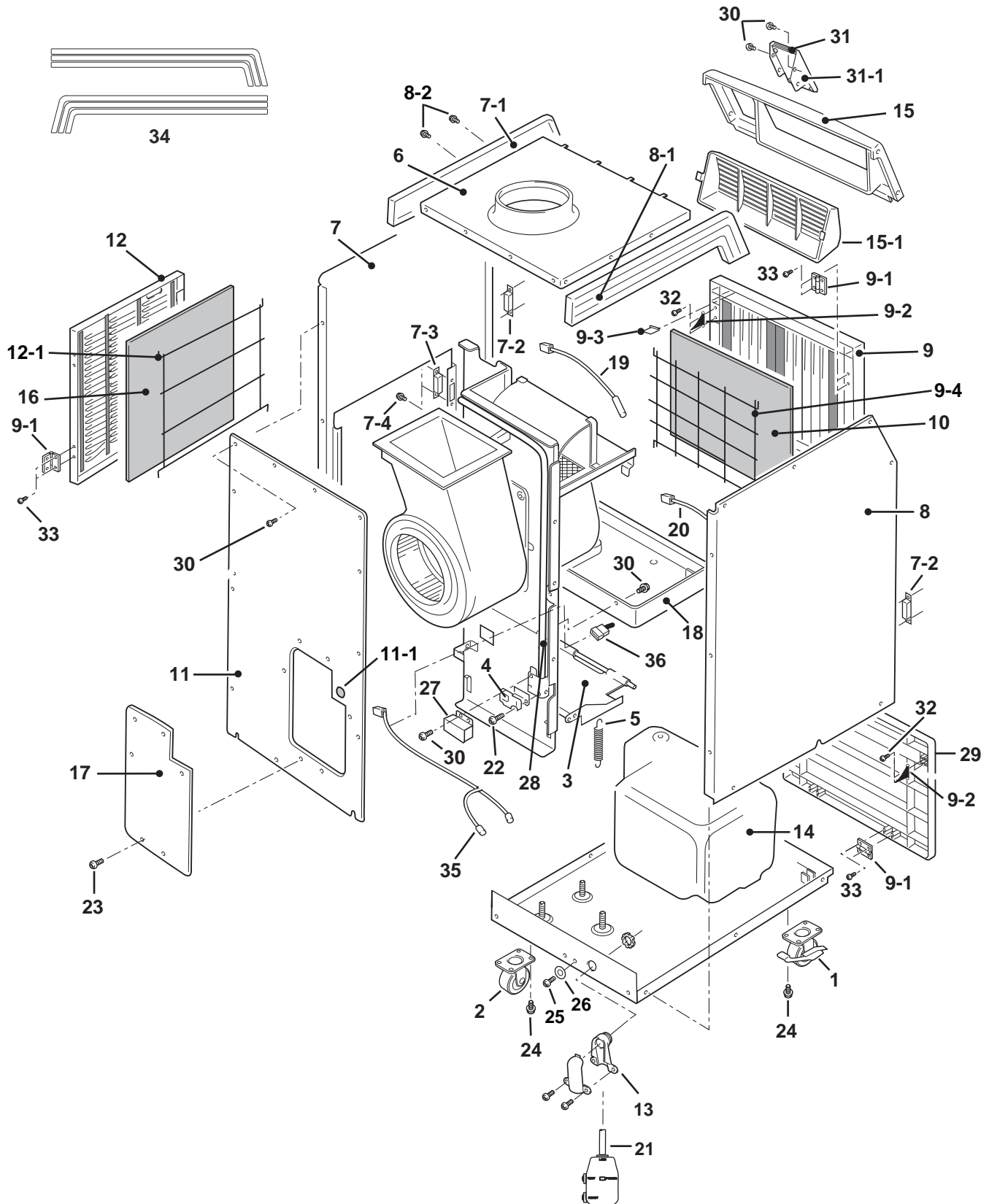
Production Period: From January 2008 (0108)
To Present

OFFICE PRO 12



ILL. NO.	DESCRIPTION	PART NO.	QTY.	MODIFICATION DATE (mm/yy)	REMARKS
1	Caster w/Brake	LA484702-0330	2		
2	Caster	LA484702-0340	2		
3	Frame Sub-Assy	LA484310-3600	1		
4	Switch, Drain Tank	LA484502-0380	1		For Drain Tank
5	Spring, Tension Coil	949171-2090	2		For Drain Tank
6	Panel Assy, Top Rear	LA484410-5021	1		
7	Panel Assy, Right	GX484410-8370	1		w/ILL.NO.7-1~7-4
7-1	Right Handle	LA484450-0051	1		
7-2	Catch	LA481922-0030	3		Door Hook
7-3	Holder (Magnet Type)	484927-0990	2		
7-4	Screw	949006-4440	4		M3x0.5, L=8
8	Panel Assy, Left	GX484410-8430	1		w/ILL.NO.8-1
8-1	Left Handle	LA484450-0061	1		
8-2	Screw, Tapping	949001-3530	23		M4, L=10
9	Panel Assy, Front Filter	LAY84410-0021	1		w/ILL.NO.9-1~9-3, 10, 32~33
9-1	Hinge	LA484912-0040	6		
9-2	Holder	LA484927-1010	3		
9-3	Clip	LAY84917-0050	2		
9-4	Wire Frame (Evaporator)	LAY84310-0020	1		
10	Filter (Evaporator)	LA484401-1160	1		
11	Panel Assy, Rear	GX484410-8400	1		
11-1	Cap Cover	GX484926-0700	1		
12	Panel Assy, Side Filter	GX484410-8130	1		
12-1	Wire Frame (Condenser)	GX484310-5040	1		
13	Connector (Retainer, Power Cord)	LA484506-0090	1		
14	Tank, Drain	484731-0021	1		
15	Panel Assy, Top Front	LA484410-5231	1		w/Packing and Pins w/ILL.NO.15-1
15-1	Air Louver, Outlet	LA480431-0091	1		
16	Filter (Condenser)	484401-1660	1		
17	Panel Assy, Service	GX484410-8770	1		
18	Pan Assy, Drain	LA484430-0120	1		
19	Thermistor, Room Temperature	LAY84532-0021	1		
20	Thermistor, Anti-Freeze Up	LAY84532-0011	1		
21	Wire Assy, Power Cord	LA484930-8650	1		LCDI
22	Screw w/Washer	91310-03161	2		M3x1, L=16
23	Screw w/Washer	480919-0370	27		M4x0.7, L=10
24	Bolt w/Washer	91510-08141	8		M8x1.25, L=14
25	Washer, Plate	90201-06400	1		Ground
26	Screw	90051-06120	1		Ground (M6x1, L=12)
27	Cover	LA484391-1870	1		
28	Wire Assy	GX484930-9121	1		Main Harness (RB)↔(CB)
29	Panel Assy, Drain Tank	LA484410-5031	1		w/ILL.NO.9-1~9-2, 32~33

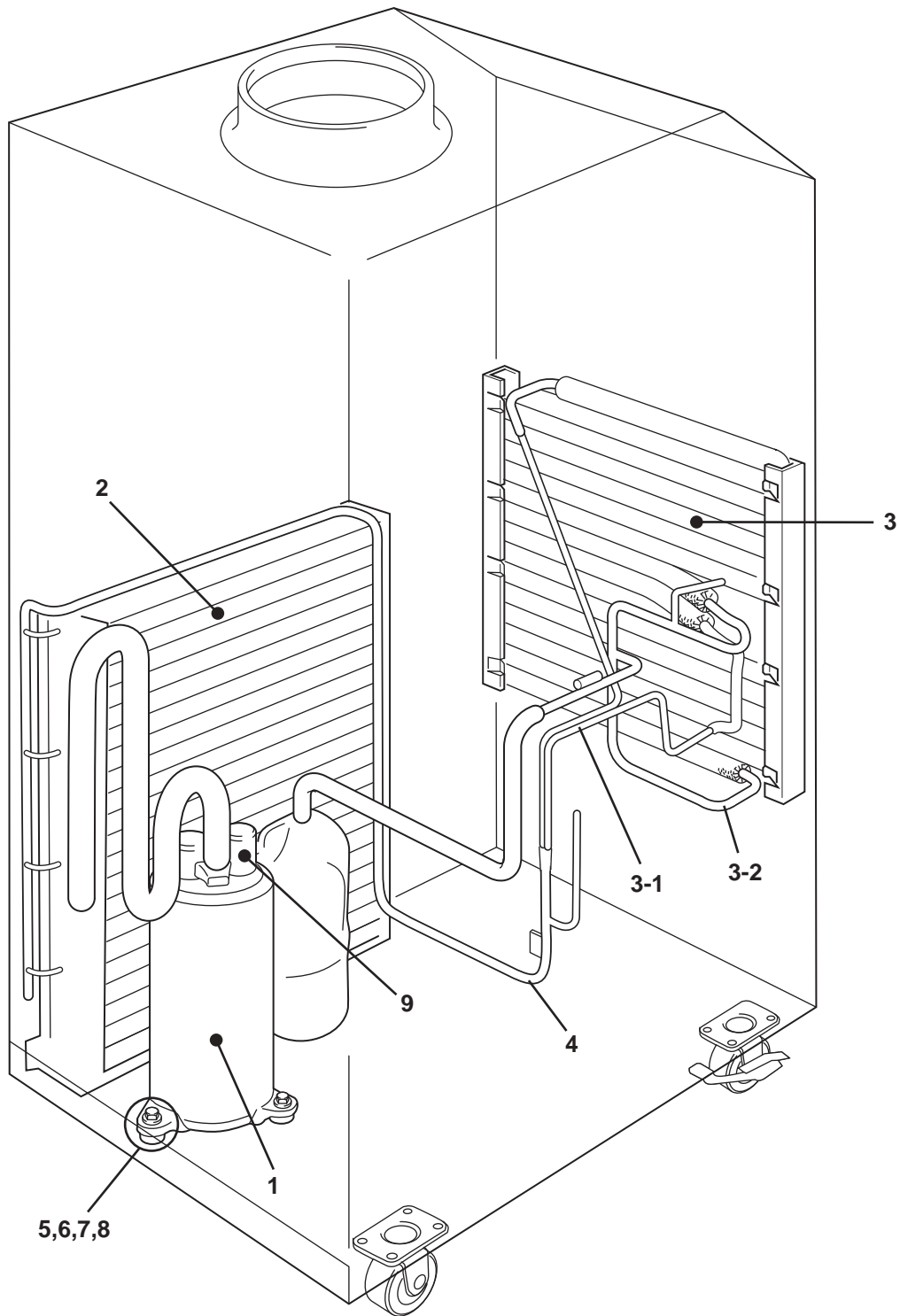
OFFICE PRO 12



OFFICE PRO 12

ILL. NO.	DESCRIPTION	PART NO.	QTY.	MODIFICATION DATE (mm/yy)	REMARKS
30	Screw	949006-5850	42		M4x0.7, L=10
31	Switch Assy	GX484560-1862	1		Operation Panel & PCB w/ILL.NO.31-1
31-1	Cover Assy	GX484420-0490	1		Operation Panel
32	Screw, Tapping	LA949001-1730	8		M4, L=16
33	Screw	949006-3300	12		M3x0.5, L=6
34	Stripe Kit Assy	LA484003-1110	1		6 each (Both Sides)
35	Wire Assy	LA484930-8330	1		Pump
36	Connector, Jumper	LA484930-8160	1		Drain Pump

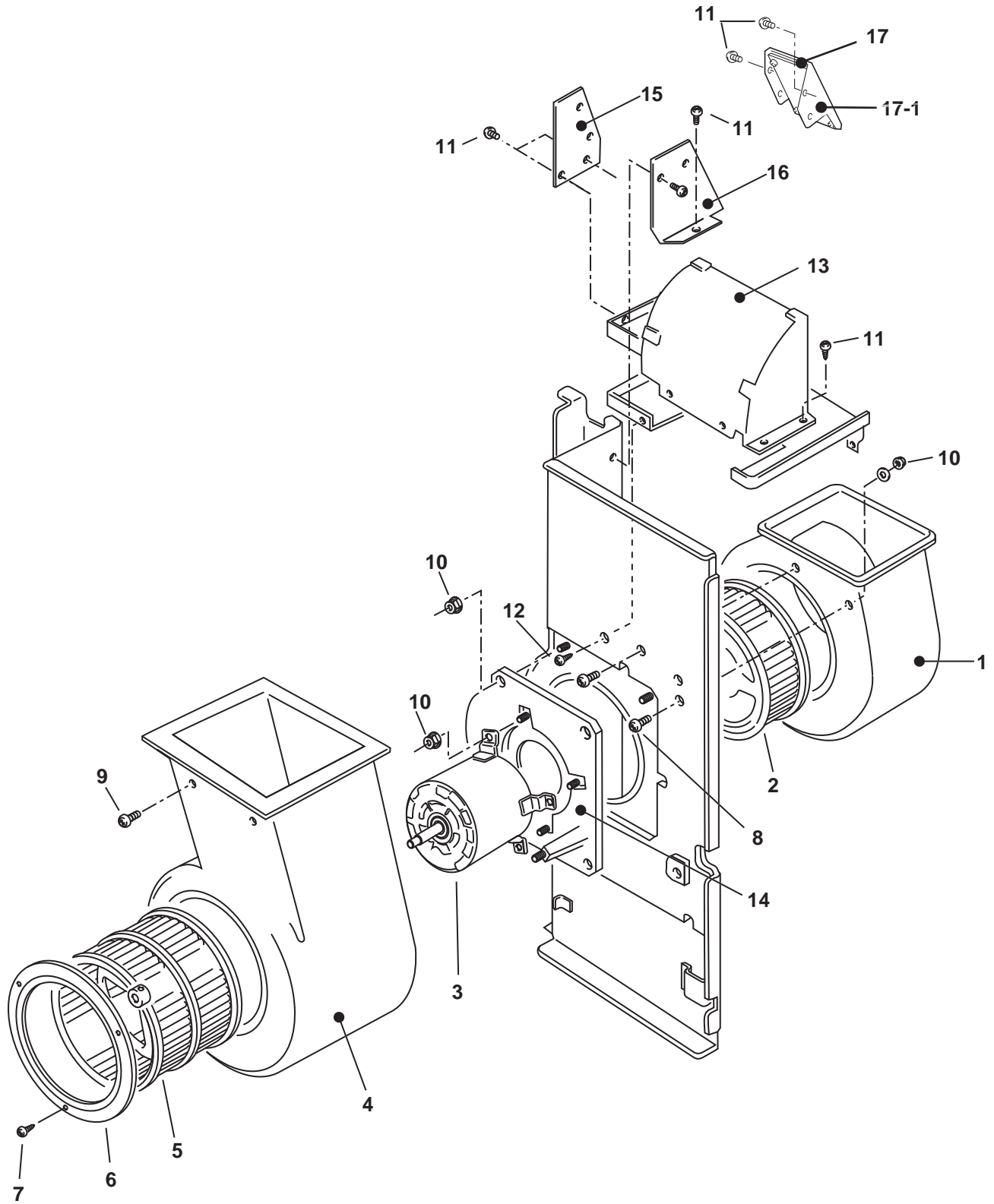
OFFICE PRO 12



OFFICE PRO 12

ILL. NO.	DESCRIPTION	PART NO.	QTY.	MODIFICATION DATE (mm/yy)	REMARKS
1	Compressor Assy	GX484650-2740	1		w/ILL.NO.5, 6, 9
2	Core Assy, Condenser	GX484600-2250	1		
3	Core Assy, Evaporator	GX484600-2260	1		w/ILL.NO.3-1~3-2
3-1	Pipe Assy, Capillary	GX484800-4290	1		
3-2	Pipe Assy, Evaporator Outlet	GX484800-4280	1		
4	Pipe Assy, Connecting	GX484800-4300	1		
5	Cushion	GX484904-0380	3		
6	Collar, Steel	GX484915-0410	3		
7	Washer, Steel Plate	949011-5330	3		
8	Nut	90190-08651	3		M8x1.25
9	Overload Relay	GX484501-0420	1		Inside Compressor Cover

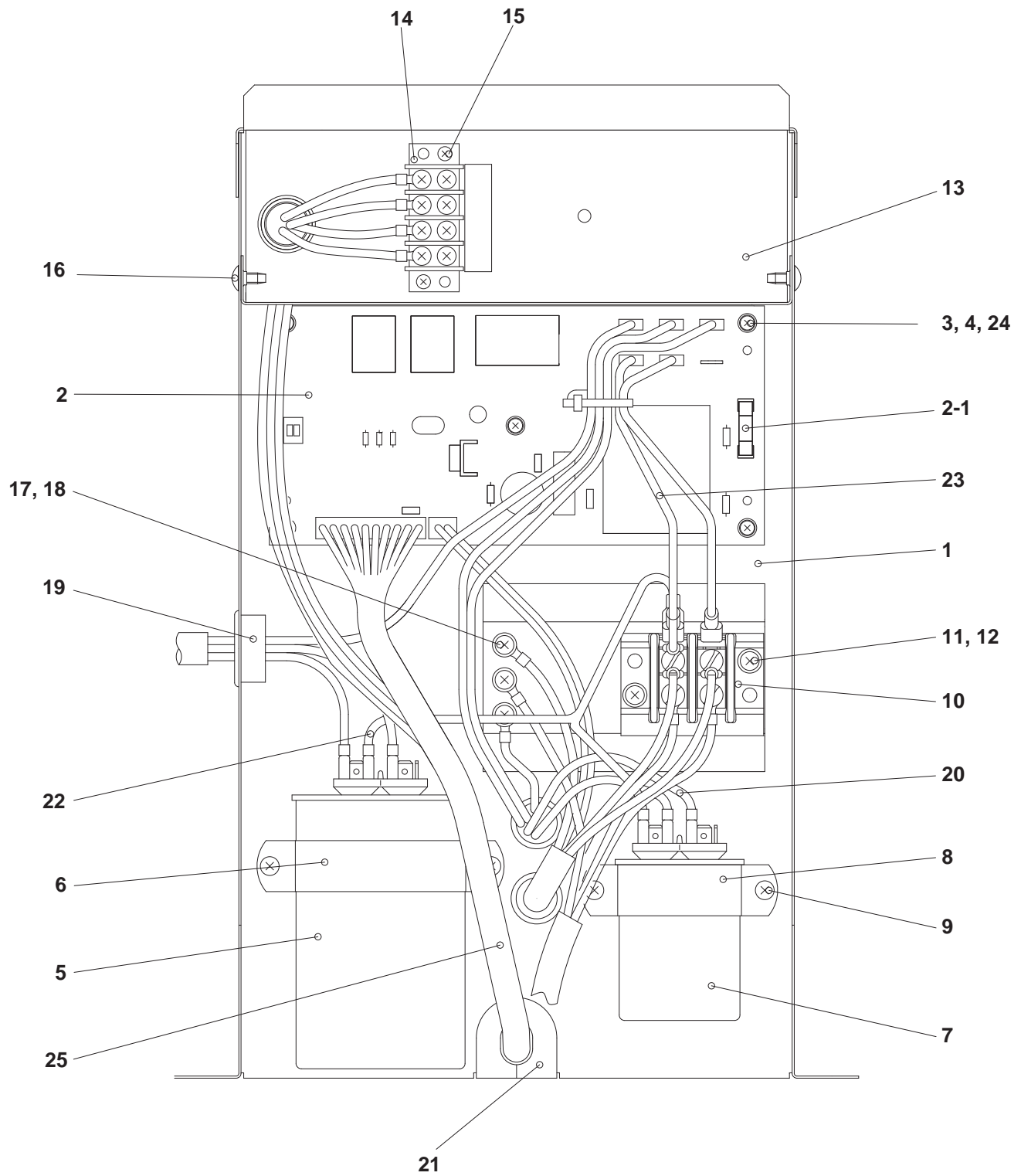
OFFICE PRO 12



OFFICE PRO 12

ILL. NO.	DESCRIPTION	PART NO.	QTY.	MODIFICATION DATE (mm/yy)	REMARKS
1	Casing, Evaporator Fan	LA484261-0260	1		
2	Fan, Evaporator	LA484221-0360	1		w/Set Screw
3	Fan Motor	LA484211-1333	1		
4	Casing Assy, Condenser Fan	LA484260-0310	1		
5	Fan, Condenser	LA484221-0370	1		w/Set Screw
6	Ring Sub-Assy	LA484280-0090	1		
7	Screw w/Washer	91370-04101	3		M4x0.7, L=10
8	Screw w/Washer	91370-06161	4		M6x1, L=16
9	Screw w/Washer	949007-3600	2		M4x0.7, L=10
10	Nut	949056-1430	10		M6x1
11	Screw	949006-5850	10		M4x0.7, L=10
12	Screw, Tapping	949001-1570	8		D4, L=10
13	Deflector, Air	LA484340-0920	1		
14	Motor Stay	LA484330-0500	1		
15	Stay, Control Panel Right	LA484331-6670	1		
16	Stay, Control Panel Left	GX484340-3040	1		
17	Switch Assy	GX484560-1862	1		Operation Panel & PCB w/ILL.NO.17-1
17-1	Cover Assy	GX484420-0490	1		Operation Panel

OFFICE PRO 12



OFFICE PRO 12

ILL. NO.	DESCRIPTION	PART NO.	QTY.	MODIFICATION DATE (mm/yy)	REMARKS
1	Box Sub-Assy	GX484520-1071	1		
2	Relay Board	GX484500-3580	1		w/ILL.NO.2-1
2-1	Fuse, Relay Board	LAY65765-0030	1	From 03/08	250mA, 250V
		LA481936-0080	1	To 02/08	160mA, 250V
3	Spacer	LA484921-0150	5		
4	Screw w/Washer	91370-03081	5		M3x0.5, L=8
5	Capacitor, Compressor	GX484507-1650	1		370VAC, 60μF
6	Holder	LA484927-1020	1		
7	Capacitor, Fan	LA484507-0890	1		370VAC, 7.5μF
8	Holder	LA484927-0880	1		
9	Screw	949006-3250	4		M4x0.7, L=10
10	Terminal Block	LA484503-040A	1		For Power
11	Screw	949006-3280	2		M4x0.7, L=18
12	Washer, Plate	90200-04331	2		
13	Cover Sub-Assy	GX484390-1090	1		
14	Terminal Block	GX484503-0840	1		For Input/Output Signal
15	Screw w/Washer	91310-03161	2		M3x0.5, L=16
16	Screw	949006-5850	4		M4x0.7, L=10
17	Screw	91051-04100	3		Ground (M4x0.7, L=10)
18	Washer, Plate	90201-04300	3		Ground
19	Grommet	LA484926-0490	1		
20	Grommet	LA484926-0500	3		
21	Grommet	484926-0290	1		
22	Wire Assy	LA484930-5222	1		Capacitor
23	Wire Assy	LA484930-523A	1		(TB)↔(RB)
24	Washer, Plate	90200-03211	5		
25	Wire Assy	GX484930-9122	1		Main Harness (RB)↔(CB)

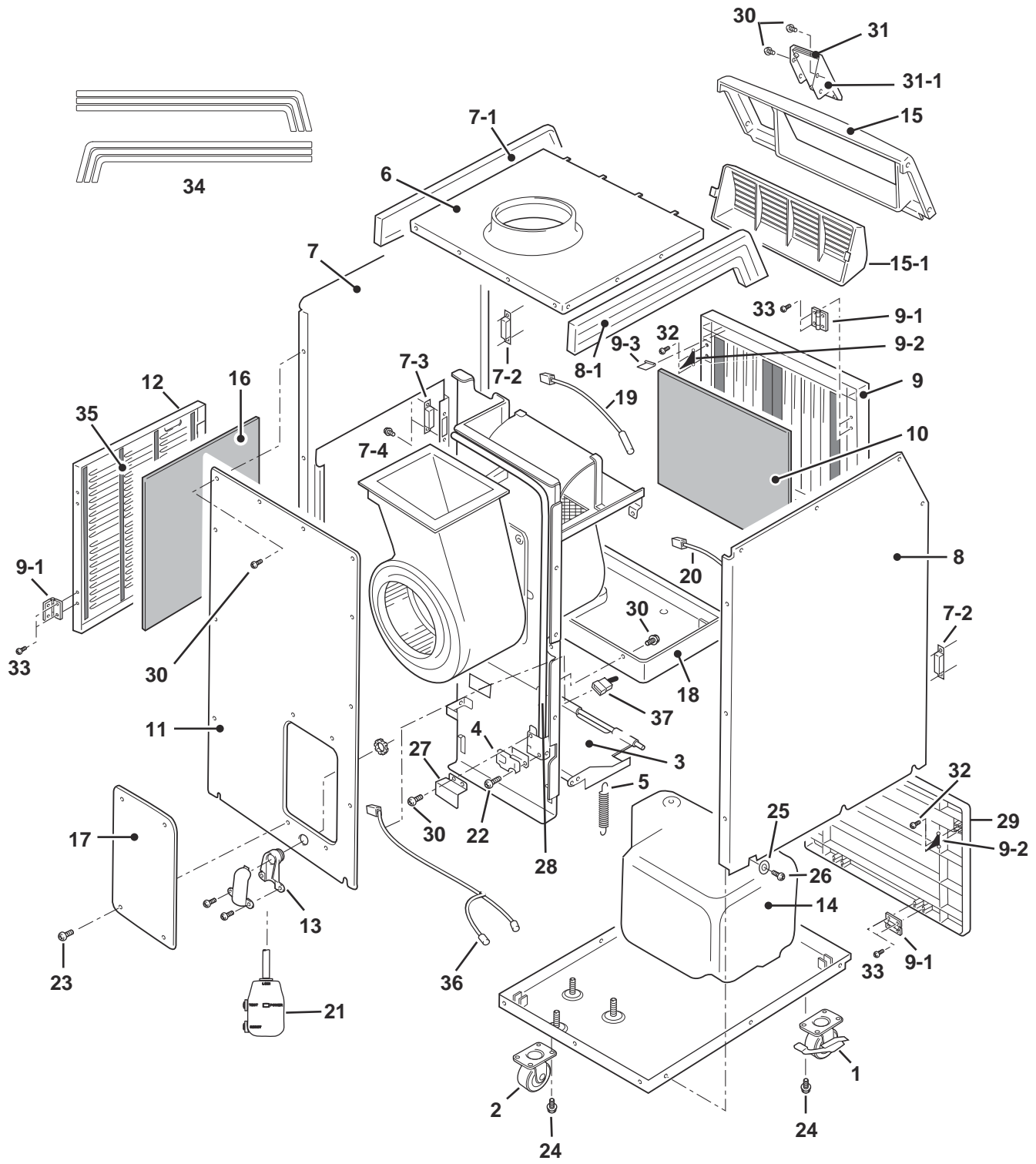
[Memo]

OFFICE PRO 12

Unit Part No: GX484000-3740

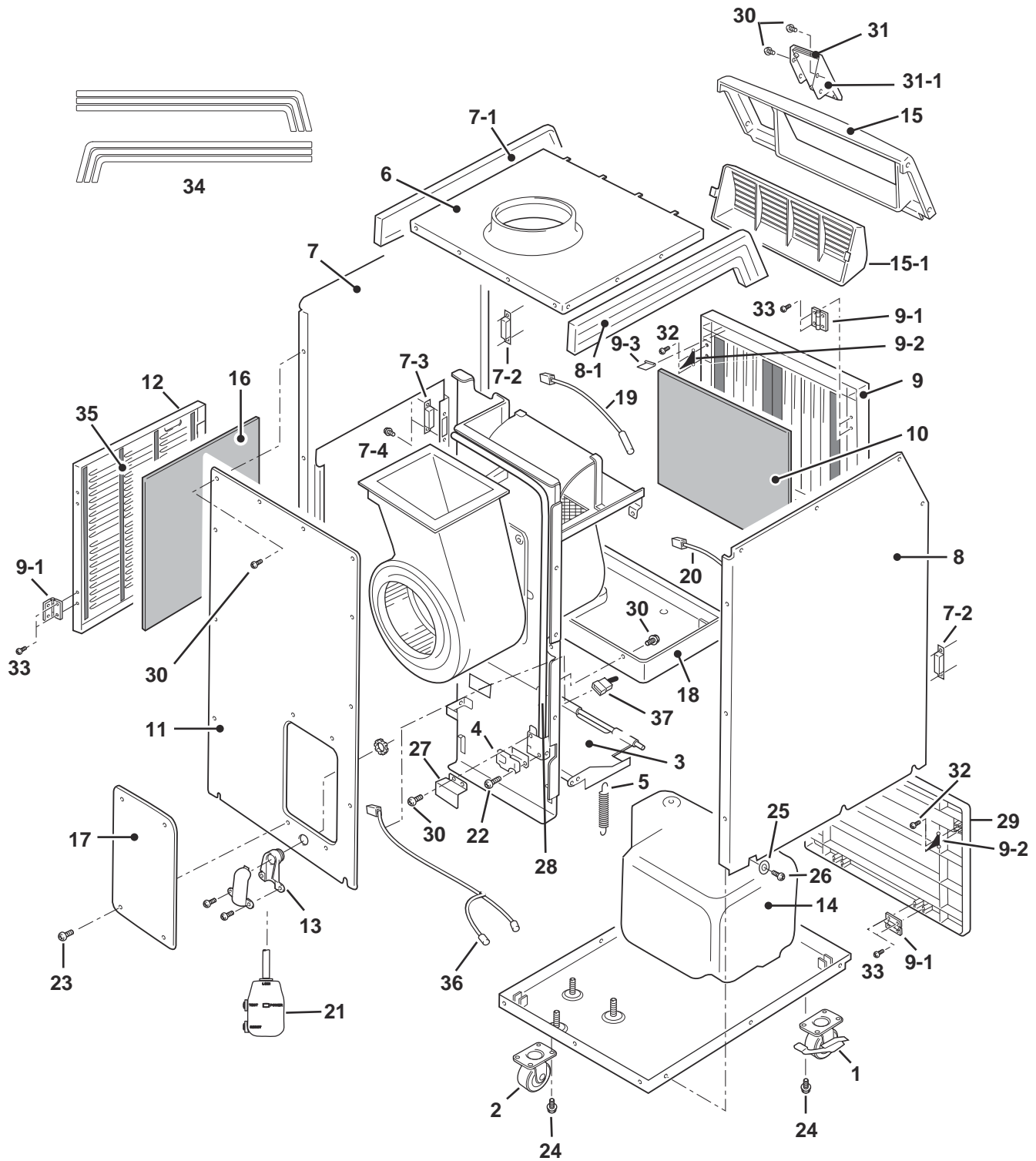
Production Period: From April 2007 (0407)
To December 2007 (1207)

OFFICE PRO 12



ILL. NO.	DESCRIPTION	PART NO.	QTY.	MODIFICATION DATE (mm/yy)	REMARKS
1	Caster w/Brake	LA484702-0330	2		
2	Caster	LA484702-0340	2		
3	Frame Sub-Assy	LA484310-3600	1		
4	Switch, Drain Tank	LA484502-0380	1		For Drain Tank
5	Spring, Tension Coil	949171-2090	2		For Drain Tank
6	Panel Assy, Top Rear	LA484410-5021	1		
7	Panel Assy, Right	GX484410-8060	1		w/ILL.NO.7-1~7-4
7-1	Right Handle	LA484450-0051	1		
7-2	Catch	LA481922-0030	3		Door Hook
7-3	Holder (Magnet Type)	484927-0990	2		
7-4	Screw	949006-4440	4		M3x0.5, L=8
8	Panel Assy, Left	GX484410-8080	1		w/ILL.NO.8-1
8-1	Left Handle	LA484450-0061	1		
9	Panel Assy, Front Filter	LAY84410-0021	1		w/ILL.NO.9-1~9-3, 10, 32~33
9-1	Hinge	LA484912-0040	6		
9-2	Holder	LA484927-1010	3		
9-3	Clip	LAY84917-0050	2		
10	Filter (Evaporator)	LA484401-1160	1		
11	Panel Assy, Rear	GX484410-8090	1		
12	Panel Assy, Side Filter	GX484410-8070	1		
13	Connector (Retainer, Power Cord)	LA484506-0090	1		
14	Tank, Drain	484731-0021	1		
15	Panel Assy, Top Front	LA484410-5231	1		w/Packing and Pins w/ILL.NO.15-1
15-1	Air Louver, Outlet	LA480431-0091	1		
16	Filter (Condenser)	LA484401-1220	1		
17	Panel Assy, Service	GX484410-8100	1		
18	Pan Assy, Drain	LA484430-0120	1		
19	Thermistor, Room Temperature	LAY84532-0021	1		
20	Thermistor, Anti-Freeze Up	LAY84532-0011	1		
21	Wire Assy, Power Cord	LA484930-8650	1		LCDI
22	Screw w/Washer	91310-03161	2		M3x1, L=16
23	Screw w/Washer	480919-0370	27		M4x0.7, L=10
24	Bolt w/Washer	91510-08141	8		M8x1.25, L=14
25	Washer, Plate	90201-06400	1		Ground
26	Screw	90051-06120	1		Ground (M6x1, L=12)
27	Cover	LA484391-1870	1		
28	Wire Assy	LA484930-6850	1		Main Harness (RB)↔(CB)
29	Panel Assy, Drain Tank	LA484410-5031	1		w/ILL.NO.9-1~9-2, 32~33
30	Screw	949006-5850	42		M4x0.7, L=10
31	Switch Assy	GX484560-1862	1		Operation Panel & PCB w/ILL.NO.31-1
31-1	Cover Assy	GX484420-0490	1		Operation Panel

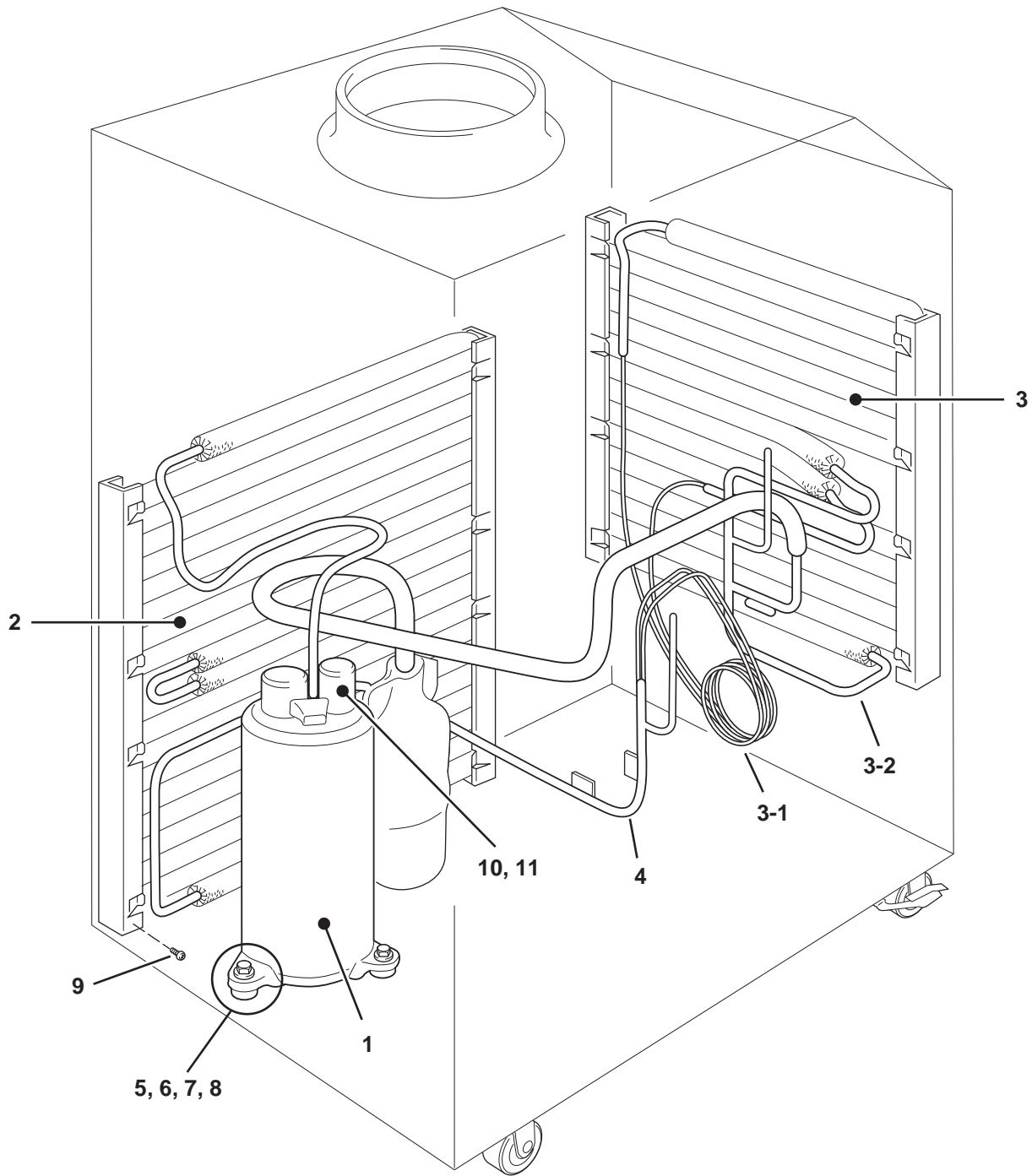
OFFICE PRO 12



OFFICE PRO 12

ILL. NO.	DESCRIPTION	PART NO.	QTY.	MODIFICATION DATE (mm/yy)	REMARKS
32	Screw, Tapping	LA949001-1730	8		M4, L=16
33	Screw	949006-3300	12		M3x0.5, L=6
34	Stripe Kit Assy	LA484003-1110	1		6 each (Both Sides)
35	Velcro	LA484311-2071	4		Condenser
36	Wire Assy	LA484930-8330	1		Pump
37	Connector, Jumper	LA484930-8160	1		Drain Pump

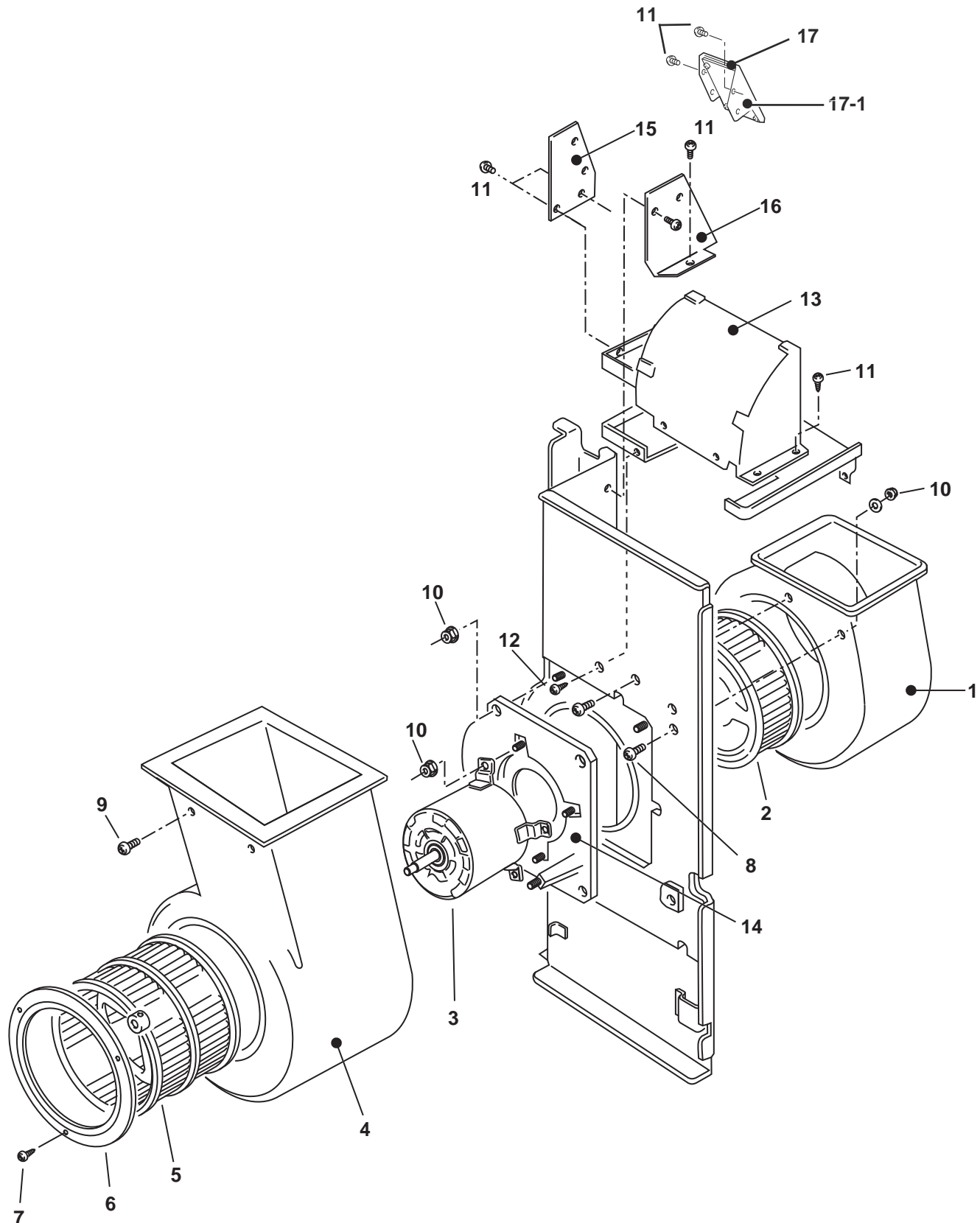
OFFICE PRO 12



OFFICE PRO 12

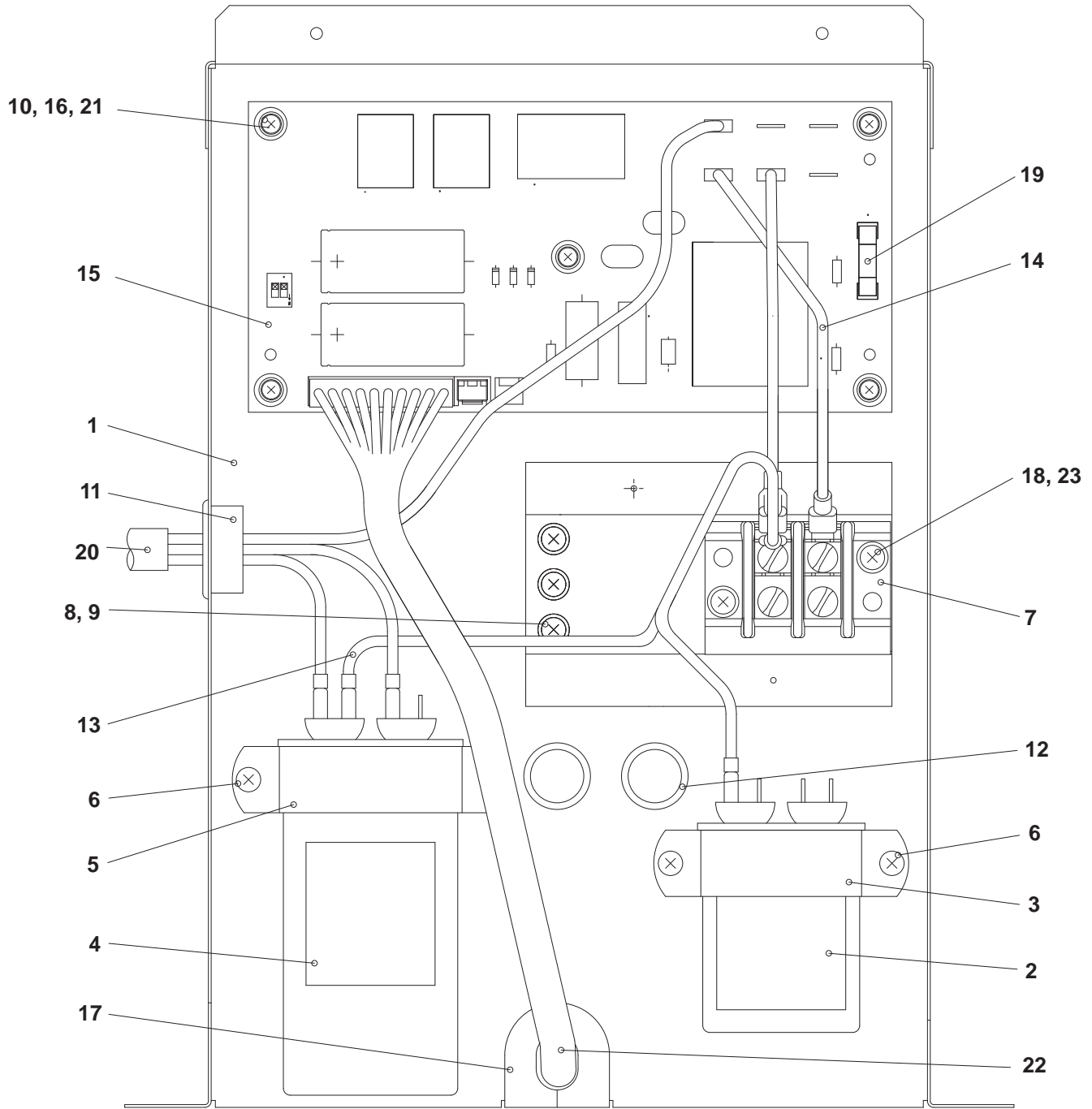
ILL. NO.	DESCRIPTION	PART NO.	QTY.	MODIFICATION DATE (mm/yy)	REMARKS
1	Compressor Assy	LA484650-1430	1		
2	Core Assy, Condenser	LA484600-1330	1		
3	Core Assy, Evaporator	LA484600-1340	1		w/ILL.NO.3-1~3-2
3-1	Pipe Assy, Capillary	LA484800-2900	1		
3-2	Pipe Assy, Evaporator Outlet	LA484800-2890	1		
4	Pipe Assy, Connecting	LA484800-2910	1		
5	Cushion	LA484904-0240	3		
6	Collar, Steel	LA484915-0320	3		
7	Washer, Steel Plate	949011-5330	3		
8	Nut	90190-08651	3		M8x1.25
9	Screw, Tapping	949001-1570	6		D4, L=10
10	Overload Relay	LA484501-0290	1		Inside Compressor Cover
11	Clip	LA484917-0360	1		Spring Inside Compressor Cover

OFFICE PRO 12



ILL. NO.	DESCRIPTION	PART NO.	QTY.	MODIFICATION DATE (mm/yy)	REMARKS
1	Casing, Evaporator Fan	LA484261-0260	1		
2	Fan, Evaporator	LA484221-0360	1		w/Set Screw
3	Fan Motor	LA484211-1333	1		
4	Casing Assy, Condenser Fan	LA484260-0310	1		
5	Fan, Condenser	LA484221-0370	1		w/Set Screw
6	Ring Sub-Assy	LA484280-0090	1		
7	Screw w/Washer	91370-04101	3		M4x0.7, L=10
8	Screw w/Washer	91370-06161	4		M6x1, L=16
9	Screw w/Washer	949007-3600	2		M4x0.7, L=10
10	Nut	949056-1430	10		M6x1
11	Screw	949006-5850	10		M4x0.7, L=10
12	Screw, Tapping	949001-1570	8		D4, L=10
13	Deflector, Air	LA484340-0920	1		
14	Motor Stay	LA484330-0500	1		
15	Stay, Control Panel Right	LA484331-6670	1		
16	Stay, Control Panel Left	GX484340-3040	1		
17	Switch Assy	GX484560-1862	1		Operation Panel & PCB w/ILL.NO.17-1
17-1	Cover Assy	GX484420-0490	1		Operation Panel

OFFICE PRO 12



OFFICE PRO 12

ILL. NO.	DESCRIPTION	PART NO.	QTY.	MODIFICATION DATE (mm/yy)	REMARKS
1	Box Sub-Assy	LA484520-0740	1		
2	Capacitor, Fan	LA484507-0890	1		370VAC, 7.5μF
3	Holder	LA484927-0880	1		
4	Capacitor, Compressor	LA484507-0880	1		370VAC, 45μF
5	Holder	LA484927-0890	1		
6	Screw	949006-3250	4		M4x0.7, L=10
7	Terminal Block	LA484503-040A	1		For Power
8	Screw	91051-04100	3		Ground (M4x0.7, L=10)
9	Washer, Plate	90201-04300	3		Ground
10	Screw w/Washer	91370-03081	5		M3x0.5, L=8
11	Grommet	LA484926-0490	1		
12	Grommet	LA484926-0500	2		
13	Wire Assy	LA484930-5222	1		Capacitor
14	Wire Assy	LA484930-523A	1		(TB)↔(RB)
15	Relay Board	GX484500-3580	1		
16	Spacer	LA484921-0150	5		
17	Grommet	484926-0290	1		
18	Washer, Plate	90200-04331	2		
19	Fuse, Relay Board	LA481936-0080	1	From 08/07	160mA, 250V
		LAY65765-0030	1	To 07/07	250mA, 250V
20	Wire Assy	LA484930-5210	1		Compressor
21	Washer, Plate	90200-03211	5		
22	Wire Assy	LA484930-6850	1		Main Harness (RB)↔(CB)
23	Screw	949006-3280	2		M4x0.7, L=18

[Memo]

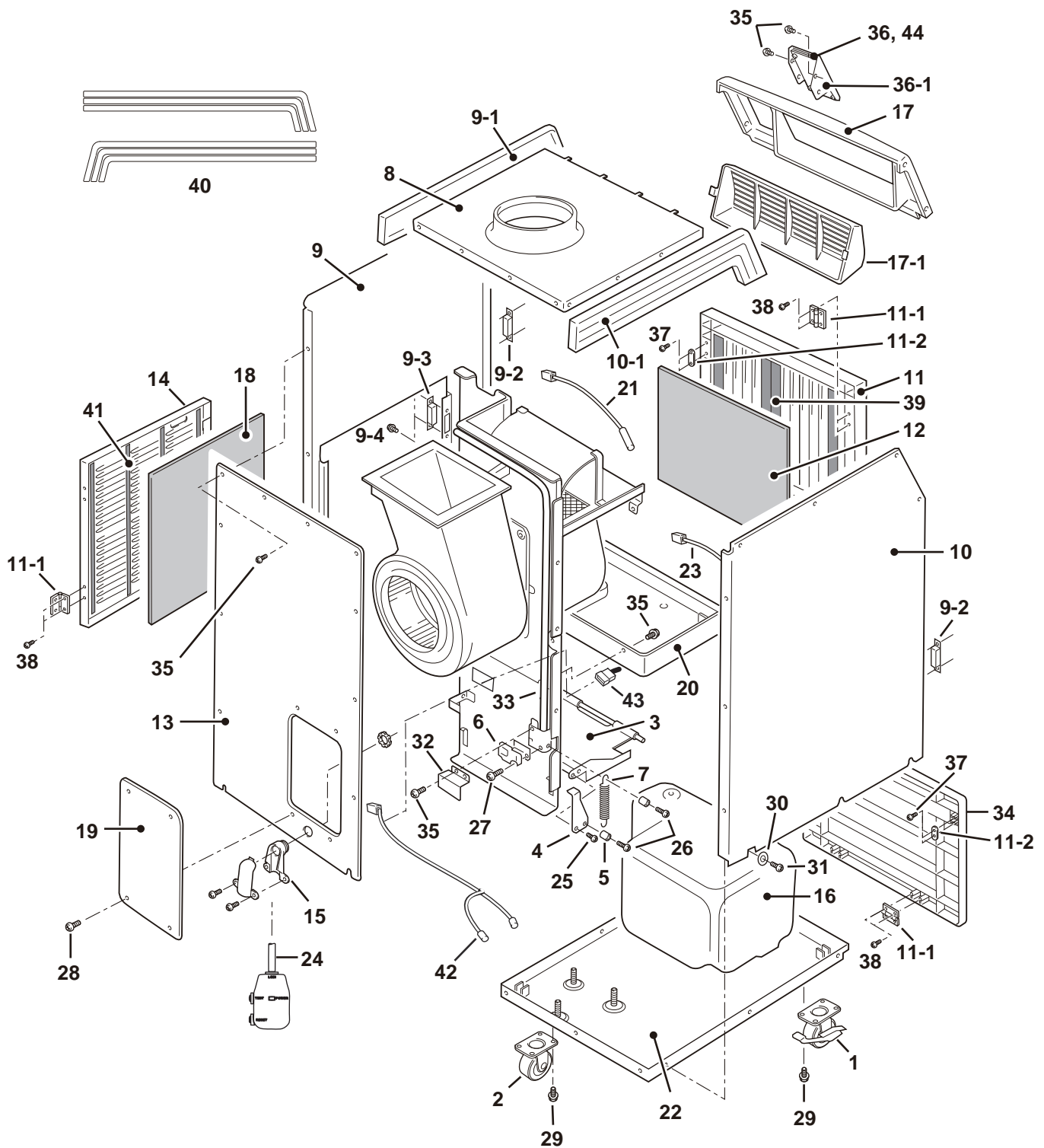
OFFICE PRO 12

Unit Part No: LA484000-3390

LA484000-2181

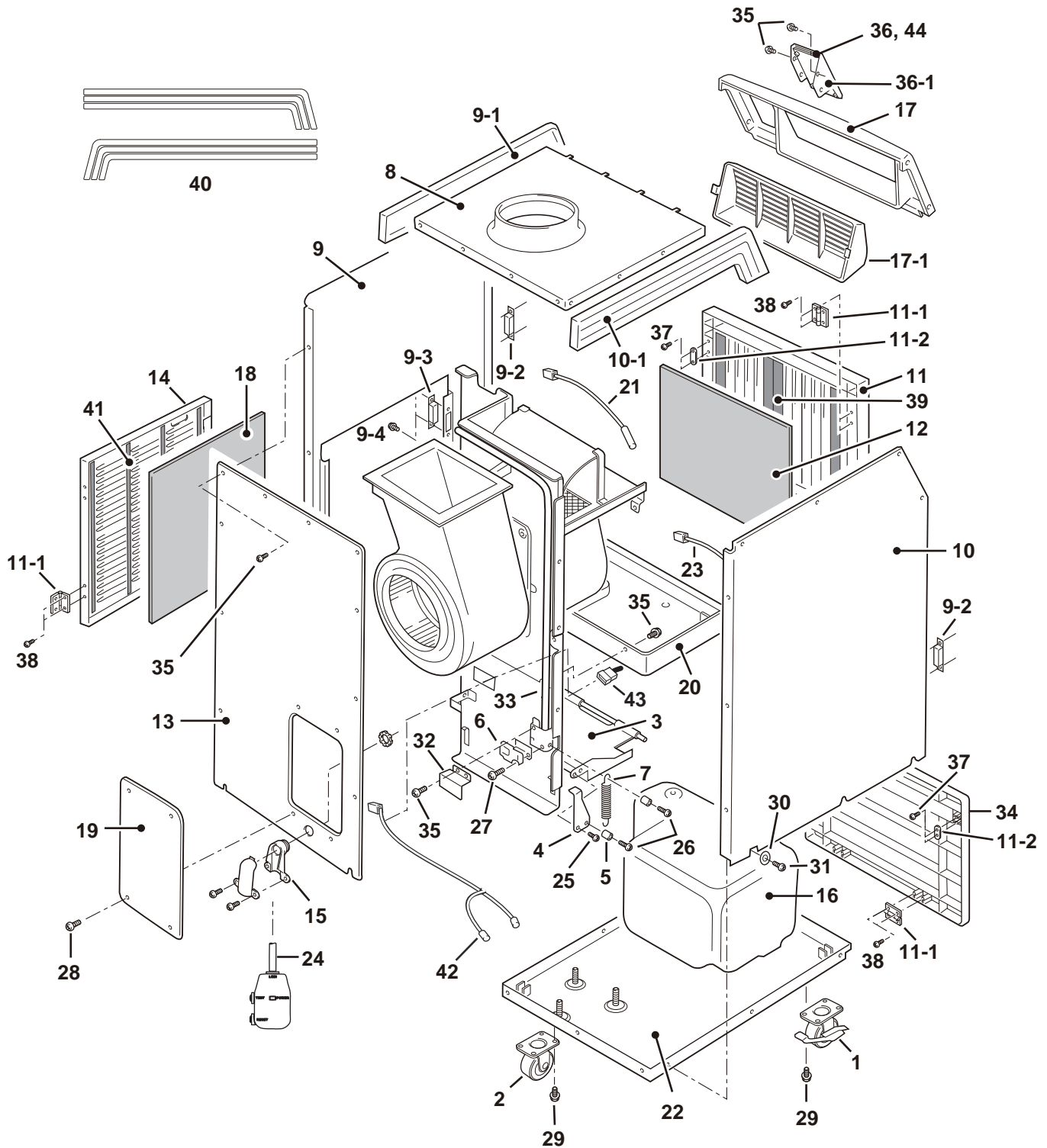
Production Period: From February 1998 (0298)
To March 2007 (0307)

OFFICE PRO 12



ILL. NO.	DESCRIPTION	PART NO.	QTY.	MODIFICATION DATE (mm/yy)	REMARKS
1	Caster w/Brake	LA484702-0330	2		
2	Caster	LA484702-0340	2		
3	Frame Sub-Assy (Drain Tank)	LA484310-3600	1	From 01/03	
		LAY84310-0010	1	To 12/02	
4	Bracket	LA484321-0510	1	To 12/02	
5	Socket	480837-0030	4	To 12/02	
6	Switch Assy, Drain Tank	LA484502-0380	1		
7	Spring, Tension Coil	949171-2090	2		
8	Panel, Top Rear	LA484410-5021	1		
9	Panel, Right	LAY84410-0041	1	From 01/01	
		LA484410-5000	1	To 12/00	
9-1	Right Handle	LA484450-0051	1		
9-2	Door Catch	LA481922-0030	1	From 01/01	
	Holder (Magnet Type)	LA484927-0980	4	To 12/00	w/Screws
9-3	Magnet	484927-0990	2		
9-4	Screws	949006-4440	4		M3x0.5, L=8
10	Panel, Left	LAY84410-0030	1	From 01/01	
		LA484410-5010	1	To 12/00	
10-1	Left Handle	LA484450-0061	1		
11	Panel Assy, Front Filter (Evap.)	LAY84410-0021	1	From 01/01	
		LA484410-5050	1	To 12/00	
11-1	Hinge	LA484912-0040	6		
11-2	Plate, Magnet Contact Holder (Hook Type)	LA484927-1010	4	From 01/01	
		LA484311-2060	4	To 12/00	
12	Filter (Evap.)	LA484401-1160	1		
13	Panel, Rear	LA484410-5072	1		
14	Panel Assy, Side Filter (Cond.)	LA484410-5060	1		
15	Retainer, Power Cord	LA484506-0090	1		
16	Tank, Drain	484731-0021	1		
17	Panel Assy, Top Front	LA484410-5231	1		w/Packing and Pins
17-1	Air Louver, Outlet	LA480431-0091	1		
18	Filter (Condenser)	LA484401-1171	1		
19	Panel, Service	LA484410-7630	1	From 07/05	
		LA484410-5080	1	To 06/05	
20	Drain Pan Assy	LA484430-0120	1		
21	Thermistor, Room Temp.	LAY84532-0021	1	From 03/01	
		LA484532-002B	1	To 02/01	
22	Frame Sub-Assy (Base)	LA484310-4880	1	From 07/05	
		LA484310-297A	1	To 06/05	
23	Thermistor, Anti-Freeze Up	LAY84532-0011	1	From 03/01	
		LA484532-0030	1	To 02/01	
24	Power Cord Assy	LA484930-3650	1		

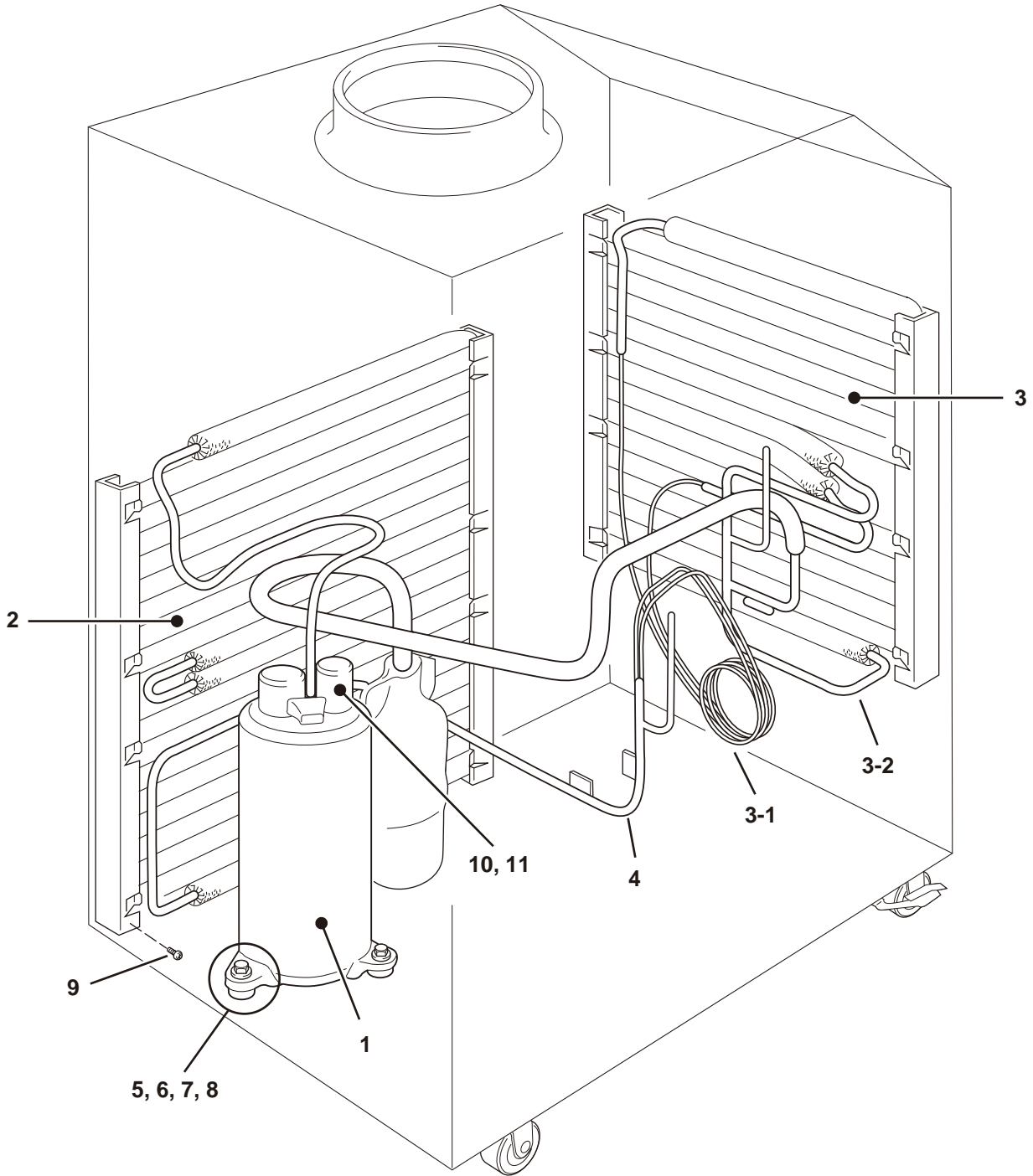
OFFICE PRO 12



OFFICE PRO 12

ILL. NO.	DESCRIPTION	PART NO.	QTY.	MODIFICATION DATE (mm/'yy)	REMARKS
25	Screw w/Washer	91370-04101	1		M4x0.7, L=10
26	Screw	91060-04161	4		M4x0.7, L=16
27	Screw w/Washer	91310-03161	2		M3x0.5, L=16
28	Screw, Tapping	480919-0370	27		D4, L=10
29	Bolt w/Washer	91510-08141	8		M8x1.25, L=10
30	Washer, Plate	90201-06400	1		Ground
31	Screw	90051-06120	1		Ground (M6x1, L=12)
32	Cover, Drain Switch	LA484391-1870	1	From 01/'03	
		LA484391-056A	1	To 12/'02	
33	Wire Harness	LA484930-6850	1	From 03/'01	(RB)↔(CB)
		LA484930-5241	1	To 02/'01	
34	Drain Tank, Panel Assy	LA484410-5031	1		
35	Screw	949006-5850	42		M4x0.7, L=10
36	Switch Assy	LA484560-1511	1	From 03/'01	Operation Panel & PCB w/ILL.NO.36-1
36-1	Cover Assy	LA484420-0270	1		Operation Panel
37	Screw	LA949001-1730	8		M4x0.7, L=10
38	Screw	949006-3300	12		M3x0.5, L=6
39	Velcro	LA484311-2110	4		Evaporator
40	Stripe Kit Assy	LA484003-1110	1		6 each (Both Sides)
41	Velcro	LA484311-2071	4		Condenser
42	Wire Assy	LA484930-8330	1	From 07/'05	For LA484000-3390 Unit
43	Connector, Jumper	LA484000-3390	1	From 07/'05	For LA484000-3390 Unit
44	Controller Assy	LA484500-2710	1	To 02/'01	PCB Only

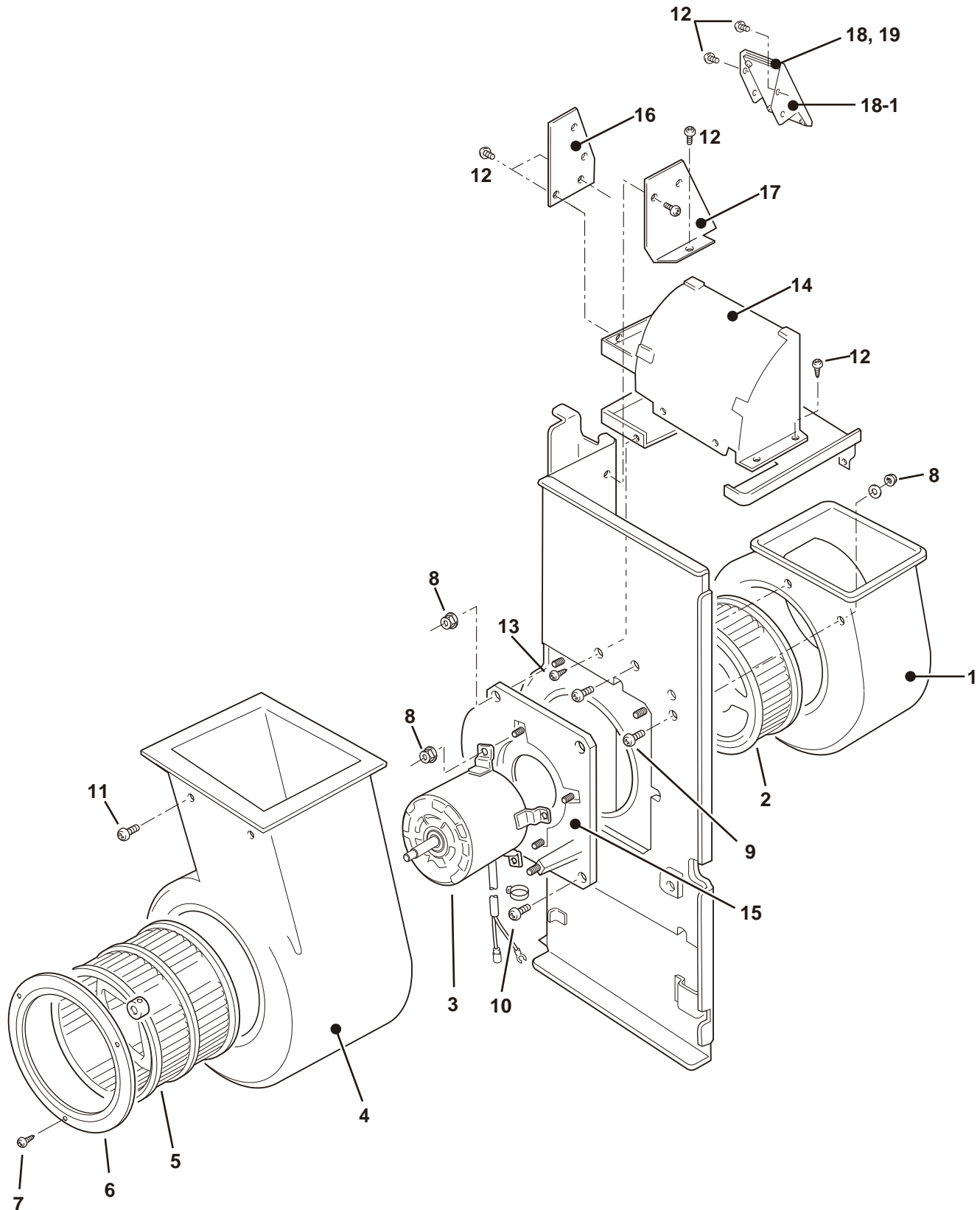
OFFICE PRO 12



OFFICE PRO 12

ILL. NO.	DESCRIPTION	PART NO.	QTY.	MODIFICATION DATE (mm/yy)	REMARKS
1	Compressor Assy	LA484650-1430	1		
2	Core Assy, Condenser	LA484600-1330	1		
3	Core Assy, Evaporator	LA484600-1340	1		w/ILL.NO.3-1~3-2
3-1	Pipe Assy, Capillary	LA484800-2900	1		
3-2	Pipe Assy, Evap. Outlet	LA484800-2890	1		
4	Pipe Assy, Connecting	LA484800-2910	1		
5	Cushion	LA484904-0240	3		
6	Collar, Steel	LA484915-0320	3		
7	Washer, Steel Plate	949011-5330	3		
8	Nut	90190-08651	3		M8x1.25
9	Screw, Tapping	949001-1570	6		D4, L=10
10	Overload Relay	LA484501-0290	1		
11	Clip	LA484917-0360	1		

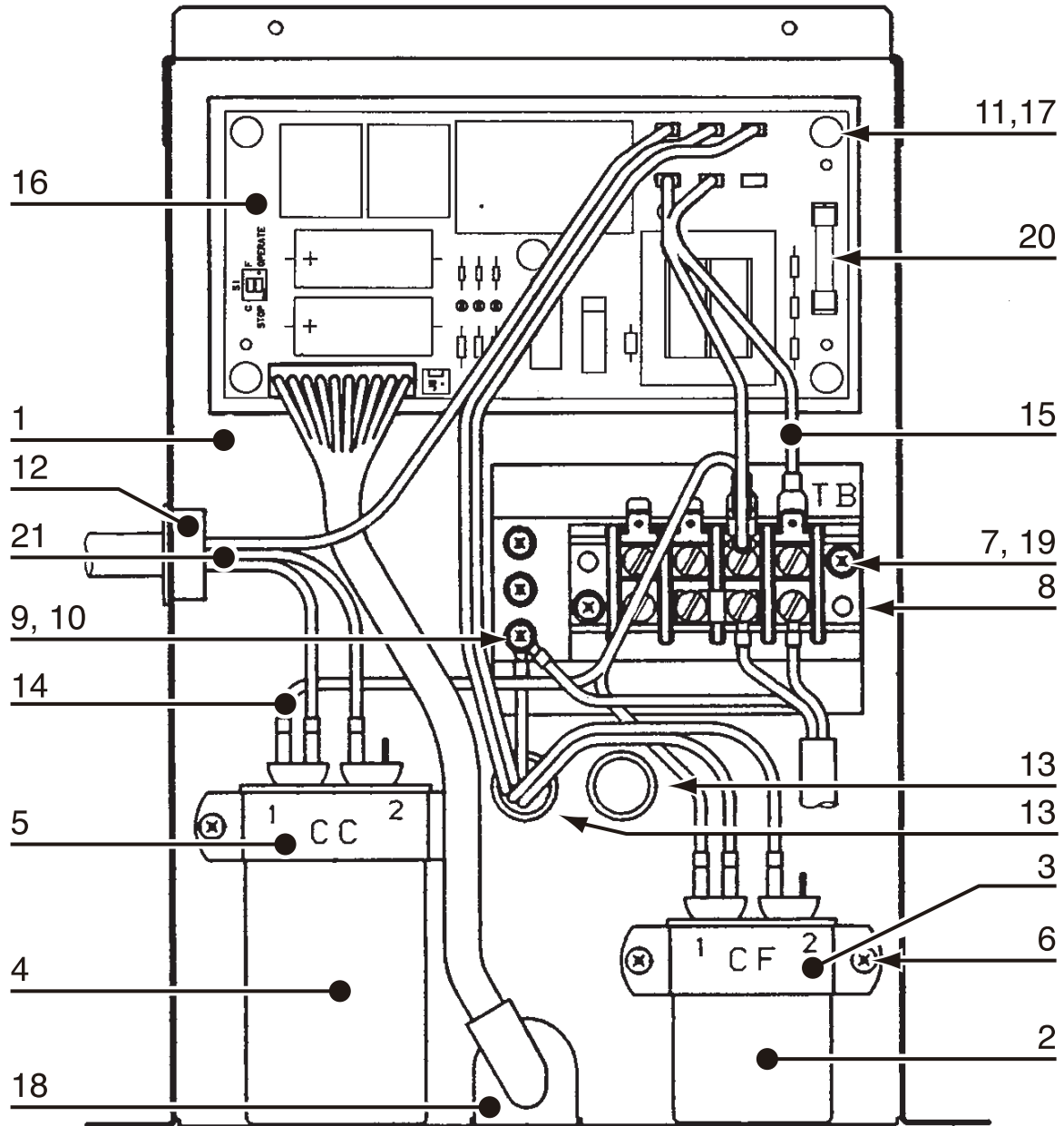
OFFICE PRO 12



OFFICE PRO 12

ILL. NO.	DESCRIPTION	PART NO.	QTY.	MODIFICATION DATE (mm/'yy)	REMARKS
1	Casing, Evaporator Fan	LA484261-0260	1		
2	Fan, Evaporator	LA484221-0360	1		w/Set Screw
3	Fan Motor	LA484211-1333	1		
4	Casing Assy, Condenser Fan	LA484261-027A	1		
5	Fan, Condenser	LA484221-0370	1		w/Set Screw
6	Ring Sub-Assy	LA484280-0090	1		
7	Screw w/Washer	91370-04101	3		M4x0.7, L=10
8	Nut	949056-1430	8		M6x1
9	Screw w/Washer	91370-06161	4		M6x1, L=16
10	Screw w/Washer	91370-06121	5		M6x1, L=12
11	Screw w/Washer	949007-3600	2		M4x0.7, L=14
12	Screw	949006-5850	10		M4x0.7, L=10
13	Screw, Tapping	949001-1570	8		D4, L=10
14	Air Deflector	LA484340-0920	1		
15	Motor Stay	LA484330-0500	1		
16	Stay, Control Panel Right	LA484331-6670	1		
17	Stay, Control Panel Left	GX484340-3040	1		
18	Switch Assy	LA484560-1511	1	From 03/'01	Operation Panel & PCB w/ILL.NO.20-1
18-1	Cover Assy	LA484420-0270	1		Operation Panel
19	Controller Assy	LA484500-2710	1	To 02/'01	PCB Only

OFFICE PRO 12



OFFICE PRO 12

ILL. NO.	DESCRIPTION	PART NO.	QTY.	MODIFICATION DATE (mm/yy)	REMARKS
1	Box Sub-Assy, Control	LA484520-0740	1	From 04/99	
		LA484520-0720	1	To 03/99	
2	Capacitor, Fan	LA484507-0890	1		370VAC, 7.5μF
3	Holder	LA484927-0880	1		
4	Capacitor, Compressor	LA484507-0880	1		370VAC, 45μF
5	Holder	LA484927-0890	1		
6	Screw	949006-3250	4		M4x0.7, L=10
7	Screw	949006-3280	2		M4x0.7, L=18
8	Terminal Block	LA484503-040A	1		(TB)
9	Screw	91051-04100	3		M4x0.7, L=10
10	Washer, Plate	90201-04300	3		
11	Screw w/Washer	91370-03081	5		M3x0.5, L=8
12	Grommet	LA484926-0490	1		
13	Grommet	LA484926-0500	2		
14	Wire Assy	LA484930-5222	1		Capacitor
15	Wire Assy	LA484930-523A	1		(TB)↔(RB)
16	Relay Board Assy	GX484500-3580	1	From 03/01	115V
		LA484500-2690	1	To 02/01	115V
17	Spacer	LA484921-0150	5		
18	Grommet	484926-0290	1		
19	Washer, Plate	90200-04331	2		
20	Fuse, Relay Board	LA481936-0080	1	From 01/03	160mA, 250V
		LAY65765-0010	1	To 12/02	2/10A, 250V
21	Wire Harness Assy	LA484930-5210	1		

DENSO

DENSO SALES CALIFORNIA, INC.

Long Beach, CA 90810

www.movincool.com

First Issue: June 2008