



# SPARE PARTS LIST

## FLOOR SAWS

FS513/FS520/FS524, Valid to machines  
FS520-2149 and FS 524-1629, 2007-08 to  
2011-02

Go to [Discount-Equipment.com](http://Discount-Equipment.com) to order your parts



# PARTS FINDER

**Search Website  
by Part Number**



**Search Manual  
Library For Parts  
Manual & Lookup Part  
Numbers – Purchase  
or Request Quote**

**Search Manuals**

Enter your information to help us find the right parts manual for your machine.

\* Brand:

\* Model:

\* Serial:

\* Part Number:

SEARCH

**Can't Find Part or  
Manual? Request Help  
by Manufacturer,  
Model & Description**

**Parts Order Form**

Please fill in the following information to help us find the right part for your machine.

Manufacturer:	<input type="text"/>
Model:	<input type="text"/>
Description:	<input type="text"/>
Part Number:	<input type="text"/>
Quantity:	<input type="text"/>
Notes:	<input type="text"/>

Discount-Equipment.com is your online resource for quality parts & equipment.

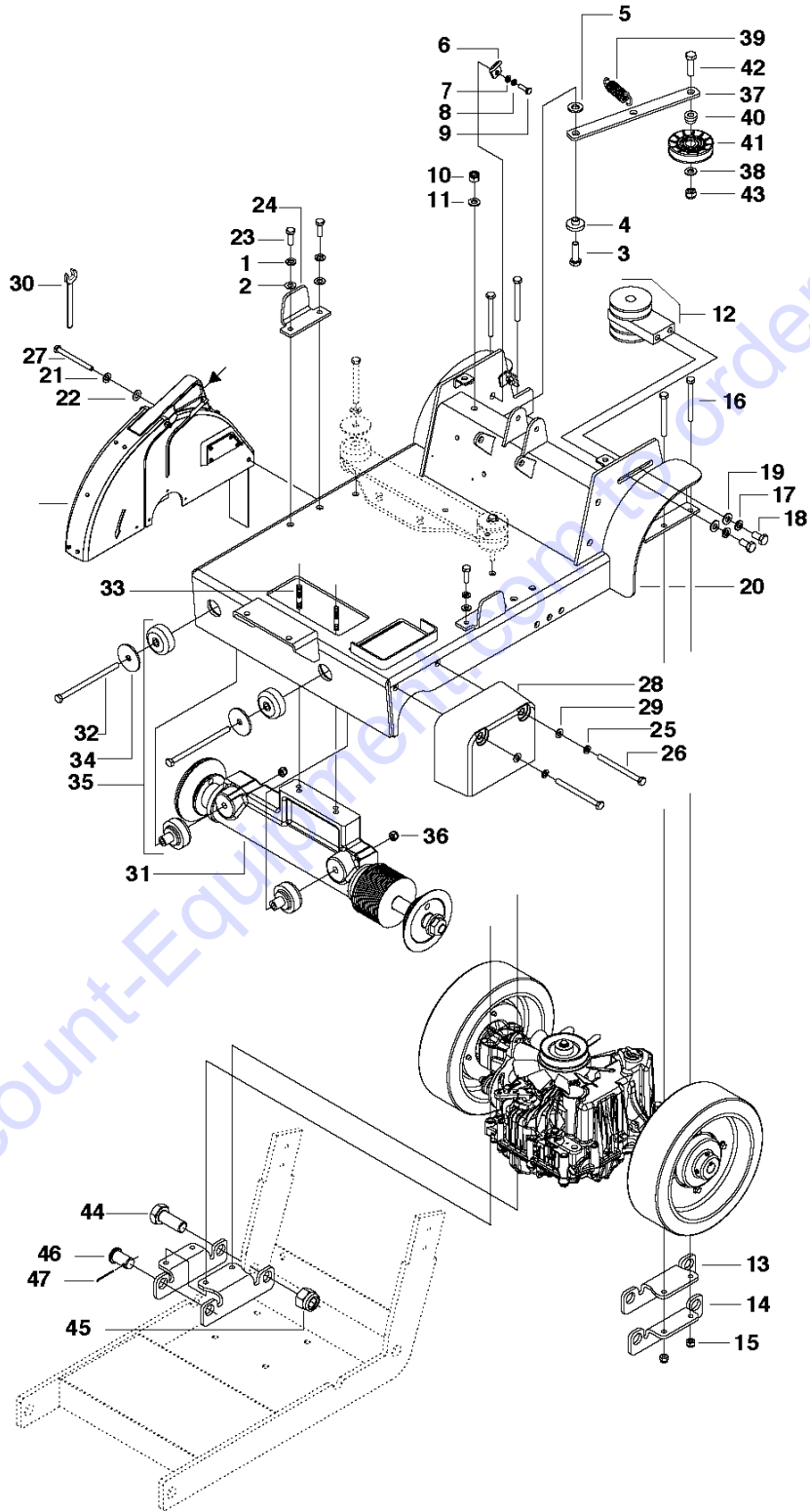
Florida: **561-964-4949** Outside Florida TOLL FREE: **877-690-3101**

**Need parts?**

Click on this link: <http://www.discount-equipment.com/category/5443-parts/> and choose one of the options to help get the right parts and equipment you are looking for. Please have the machine model and serial number available in order to help us get you the correct parts. If you don't find the part on the website or on one of the online manuals, please fill out the request form and one of our experienced staff members will get back to you with a quote for the right part that your machine needs.

We sell worldwide for the brands: Genie, Terex, JLG, MultiQuip, Mikasa, Essick, Whiteman, Mayco, Toro Stone, Diamond Products, Generac Magnum, Airman, Haulotte, Barreto, Power Blanket, Nifty Lift, Atlas Copco, Chicago Pneumatic, Allmand, Miller Curber, Skyjack, Lull, Skytrak, Tsurumi, Husquvarna Target, Stow, Wacker, Sakai, Mi-T-M, Sullair, Basic, Dynapac, MBW, Weber, Bartell, Bennar Newman, Haulotte, Ditch Runner, Menegotti, Morrison, Contec, Buddy, Crown, Edco, Wyco, Bomag, Laymor, EZ Trench, Bil-Jax, F.S. Curtis, Gehl Pavers, Heli, Honda, ICS/PowerGrit, IHI, Partner, Imer, Clipper, MMD, Koshin, Rice, CH&E, General Equipment, Amida, Coleman, NAC, Gradall, Square Shooter, Kent, Stanley, Tamco, Toku, Hatz, Kohler, Robin, Wisconsin, Northrock, Oztec, Toker TK, Rol-Air, APT, Wylie, Ingersoll Rand / Doosan, Innovatech, Con X, Ammann, Mecalac, Makinex, Smith Surface Prep, Small Line, Wanco, Yanmar

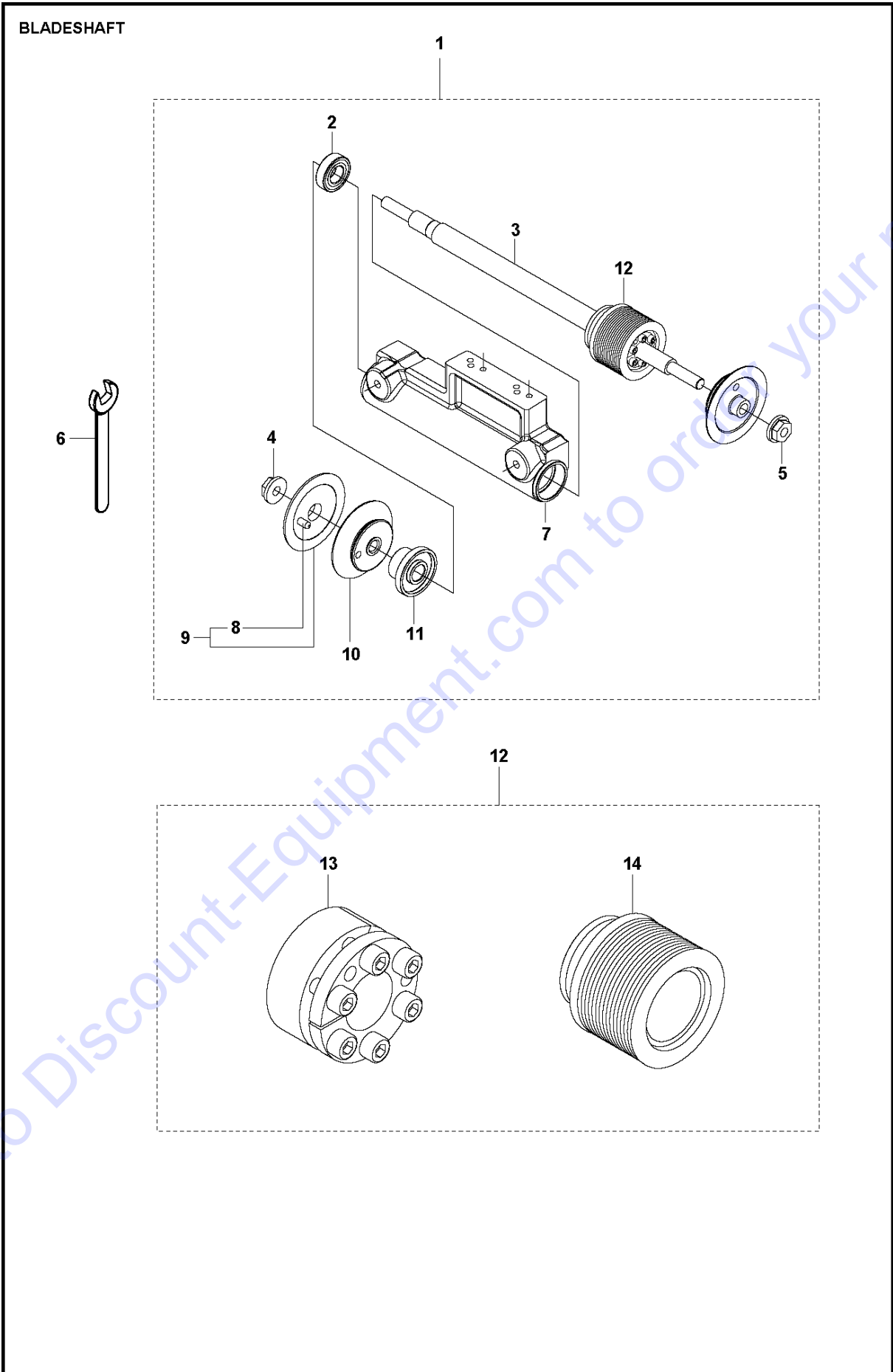
UPPER FRAME



UPPER FRAME FS513/FS520/FS524, Valid to machines FS520-2149 and FS 524-1629, 2007-08 to 2011-02

Ref	Part No	Description	Remark	QTY KIT
1	735 11 64-01	SPRING WASHER		4
2	734 11 63-01	WASHER		4
3	725 24 95-71	SCREW EHHM		1
4	504 11 10-02	BUSHING		1
5	504 11 13-02	SPACER		1
6	542 20 31-17	PLATE		1
7	734 11 52-01	WASHER		1
8	735 11 53-01	WASHER		1
9	725 23 70-71	SCREW EHHM		1
10	732 25 20-01	HEXAGON LOCKING NUT		1
11	734 11 72-01	WASHER		1
12	504 73 66-03	PULLEY		1
13	541 20 72-12	BRACKET		2
14	541 20 72-14	BRACKET		2
15	732 25 18-01	HEXAGON LOCKING NUT		4
16	725 24 67-51	SCREW EHHM		4
17	735 11 73-01	SPRING WASHER		2
18	725 24 91-71	SCREW EHHM		2
19	734 11 72-01	WASHER		2
20	542 20 41-40	BASE		1
21	735 11 64-01	SPRING WASHER		1
22	734 11 63-01	WASHER		1
23	725 24 53-71	SCREW EHHM		4
24	542 20 41-85	BRACKET		2
25	735 11 64-01	SPRING WASHER		2
26	725 24 71-51	SCREW EHHM		2
27	725 24 71-71	BOLT		1
28	542 20 23-74	GUARD		1
29	734 11 63-01	WASHER		2
30	543 04 58-91	WRENCH		1
31	541 20 72-41	BLADE SHAFT		1
32	542 18 44-55	HHCS. M10X1.5X130MM Z/P		2
33	597 52 99-01	STUD		2
34	542 20 21-06	WASHER		2
35	542 16 11-96	ISOLATOR		2
36	732 25 20-01	HEXAGON LOCKING NUT		2
37	541 20 72-29	ARM		1
38	734 11 72-01	WASHER		1
39	542 20 23-33	SPRING. TENSIONING		1
40	542 20 41-37	BUSHING		1
41	542 16 77-63	PULLEY		1
42	725 24 99-71	SCREW EHHM		1
43	732 25 20-01	HEXAGON LOCKING NUT		1
44	542 20 41-35	BOLT		2
45	543 07 40-65	NUT		2
46	542 20 41-21	PIN		2
47	721 62 14-01	SPLIT PIN		2

Go to [DiscountEquipment.com](http://DiscountEquipment.com) to order your parts

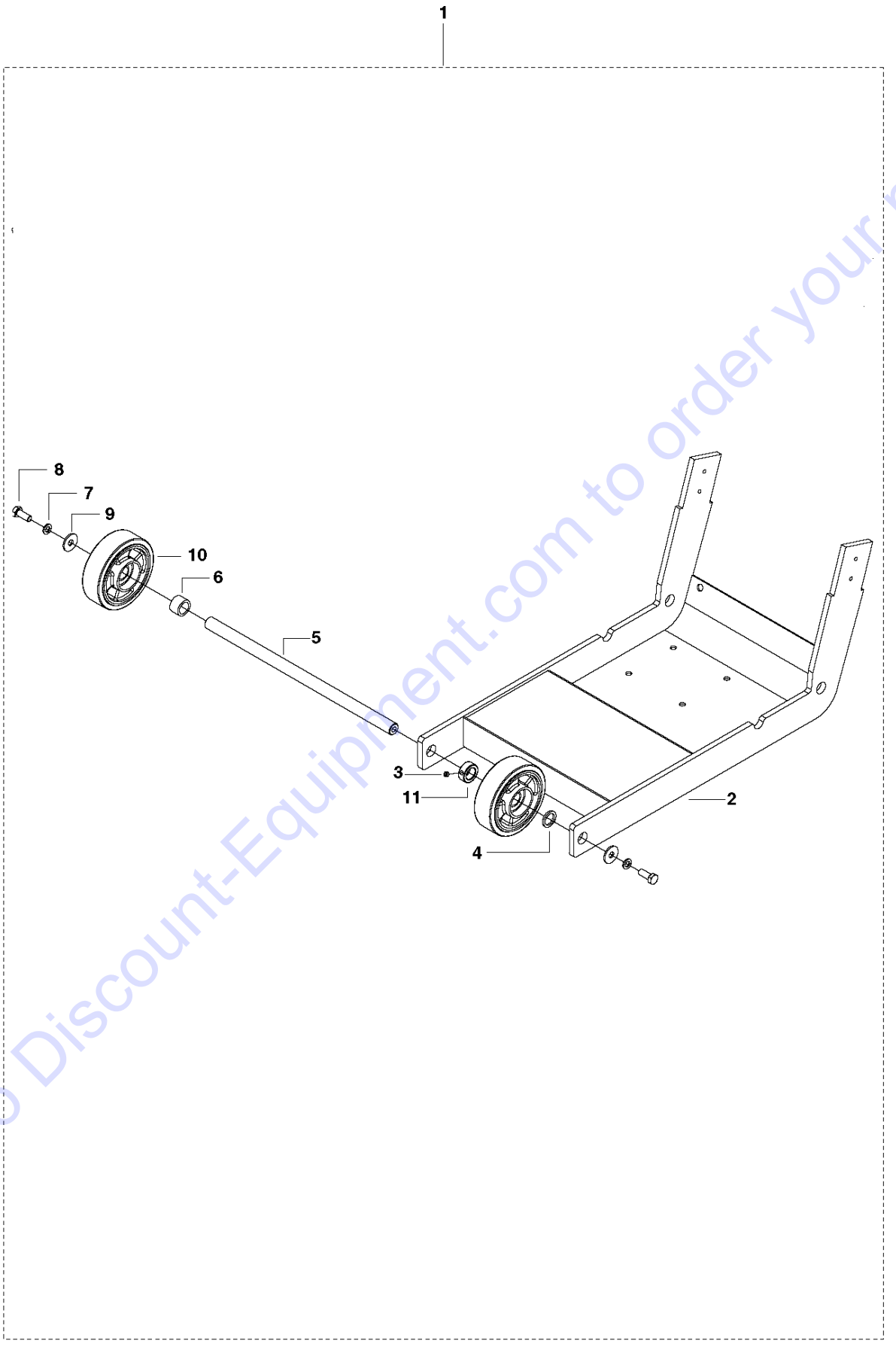


BLADESHAFT FS513/FS520/FS524, Valid to machines FS520-2149 and FS 524-1629, 2007-08 to 2011-02

Ref	Part No	Description	Remark	QTY	KIT
1	541 20 72-41	BLADE SHAFT		1	
2	541 20 81-60	BEARING		2	1
3	541 20 72-40	HOUSING		1	1
4	542 16 79-62	COLLAR		1	1
5	542 20 22-92	WRENCH		1	1
6	542 16 79-64	PIN		1	
7	542 16 71-85	COLLAR		2	1
8	541 20 71-88	HUB		1	1
9	541 20 81-60	BEARING		1	1
10	541 20 72-40	HOUSING		1	1
11	504 00 79-01	BLADE SHAFT		1	1
12	534 99 89-01	SERVICE KIT		1	1
13	534 13 90-01	CLAMPING SLEEVE		1	1, 12
14	529 83 75-01	PULLEY		1	1, 12

Go to Discount-Equipment.com to order your parts

LOWER FRAMING



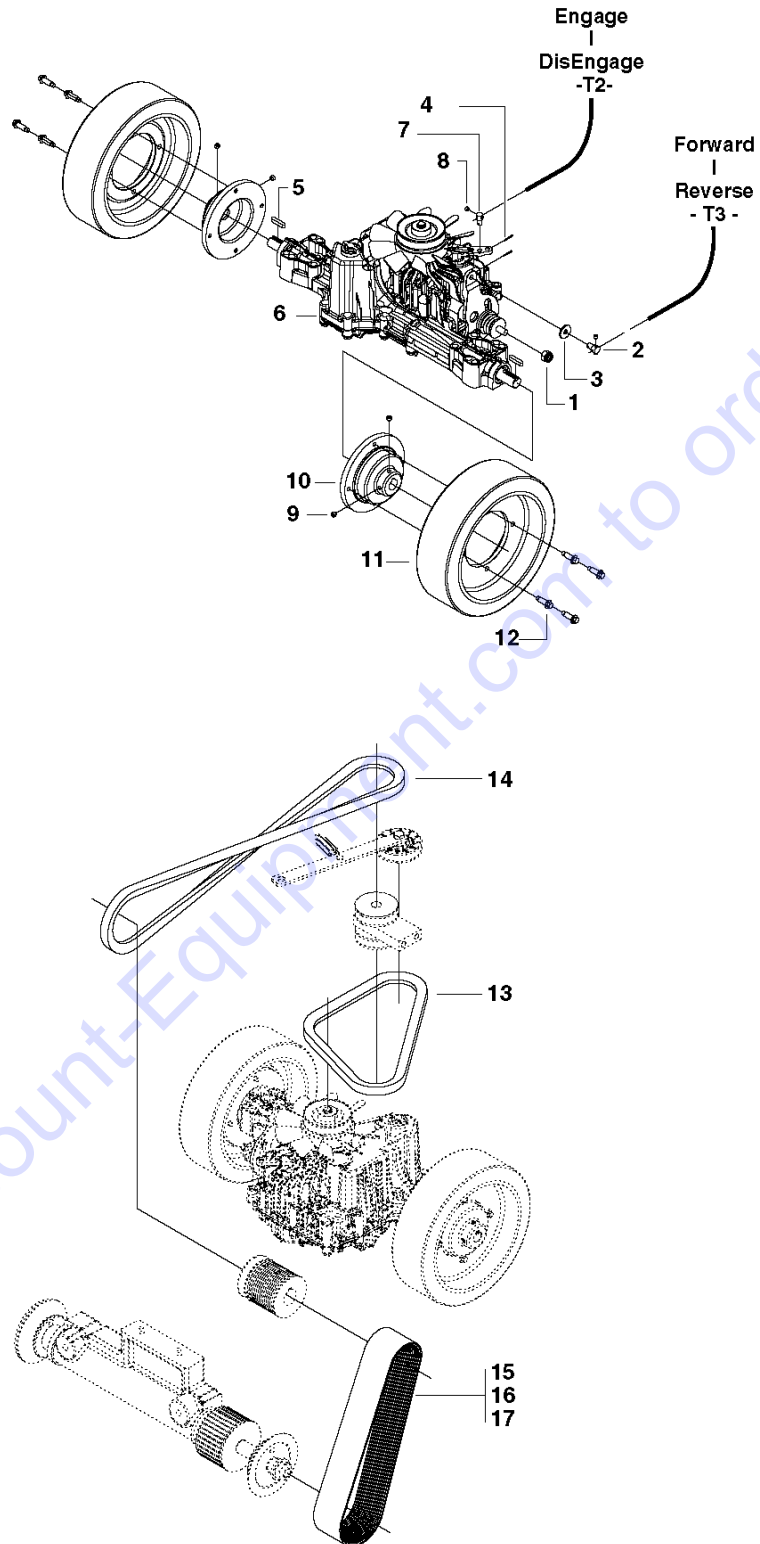
LOWER FRAME FS513/FS520/FS524, Valid to machines FS520-2149 and FS 524-1629, 2007-08 to 2011-02

Ref	Part No	Description	Remark	QTY KIT
1	501 04 87-01	FRAME		1
2	501 04 76-02	FRAME		1
3	542 13 97-68	SCREW		1
4	542 20 20-62	WASHER		1
5	501 04 83-01	AXLE		1
6	501 04 85-02	SPACER		1
7	735 11 73-01	SPRING WASHER		2
8	725 24 93-71	SCREW EHHM		2
9	734 11 74-41	WASHER		2
10	543 04 59-49	WHEEL		2
11	542 20 24-23	COLLAR		1

Go to [Discount-Equipment.com](http://Discount-Equipment.com) to order your parts



TRANSAXLE - WHEELS

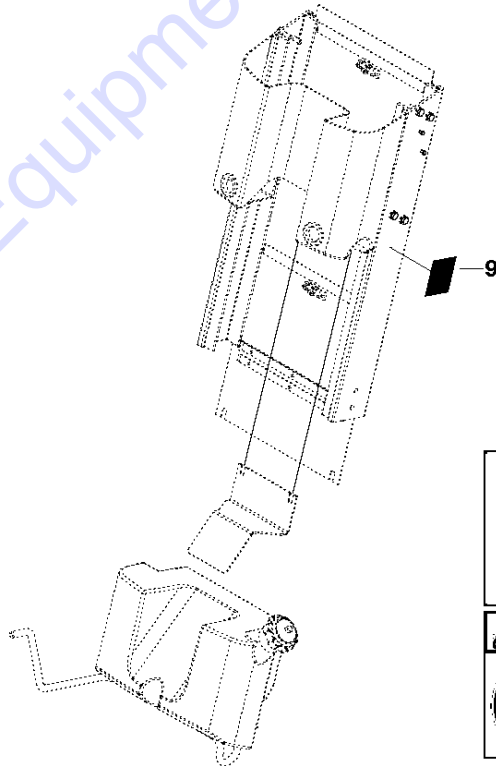
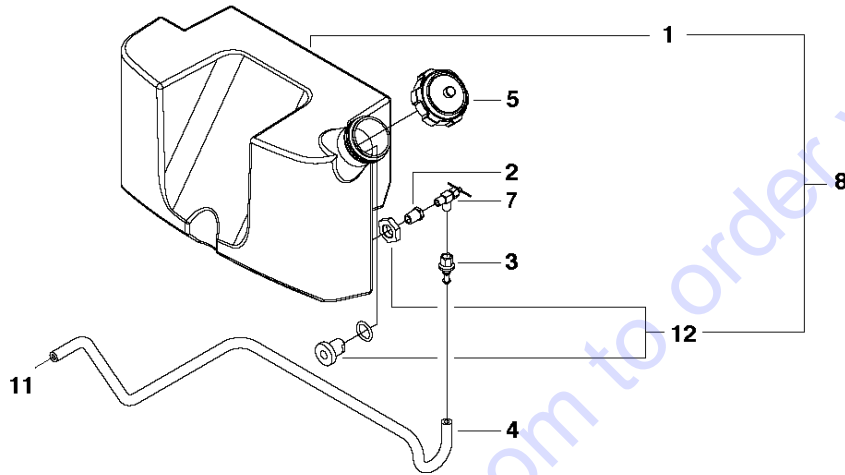


TRANSAXLE - WHEELS FS513/FS520/FS524, Valid to machines FS520-2149 and FS 524-1629, 2007-08 to 2011-02

Ref	Part No	Description	Remark	QTY KIT
1	732 25 20-01	HEXAGON LOCKING NUT		1
2	542 20 23-32	PIN		1
3	734 11 63-01	WASHER		1
4	721 61 51-01	PIN		2
5	542 20 41-43	KEY		2
6	541 20 83-38	TRANSAXLE		1
7	542 20 23-31	PIN		1
8	542 13 97-69	SCREW		2
9	542 13 97-68	SCREW		4
10	541 20 72-34	HUB		2
11	586 44 28-01	WHEEL		2
12	542 19 90-53	SCREW		8
13	542 20 41-17	BELT		1
14	541 20 10-11	BELT		1
15	542 20 21-50	BELT	FS 513	1
16	542 20 21-49	BELT	FS 520	1
17	504 06 83-01	BELT	FS 524	1

Go to Discount-Equipment.com to order your parts

FUEL TANK 20, 24 HP ONLY

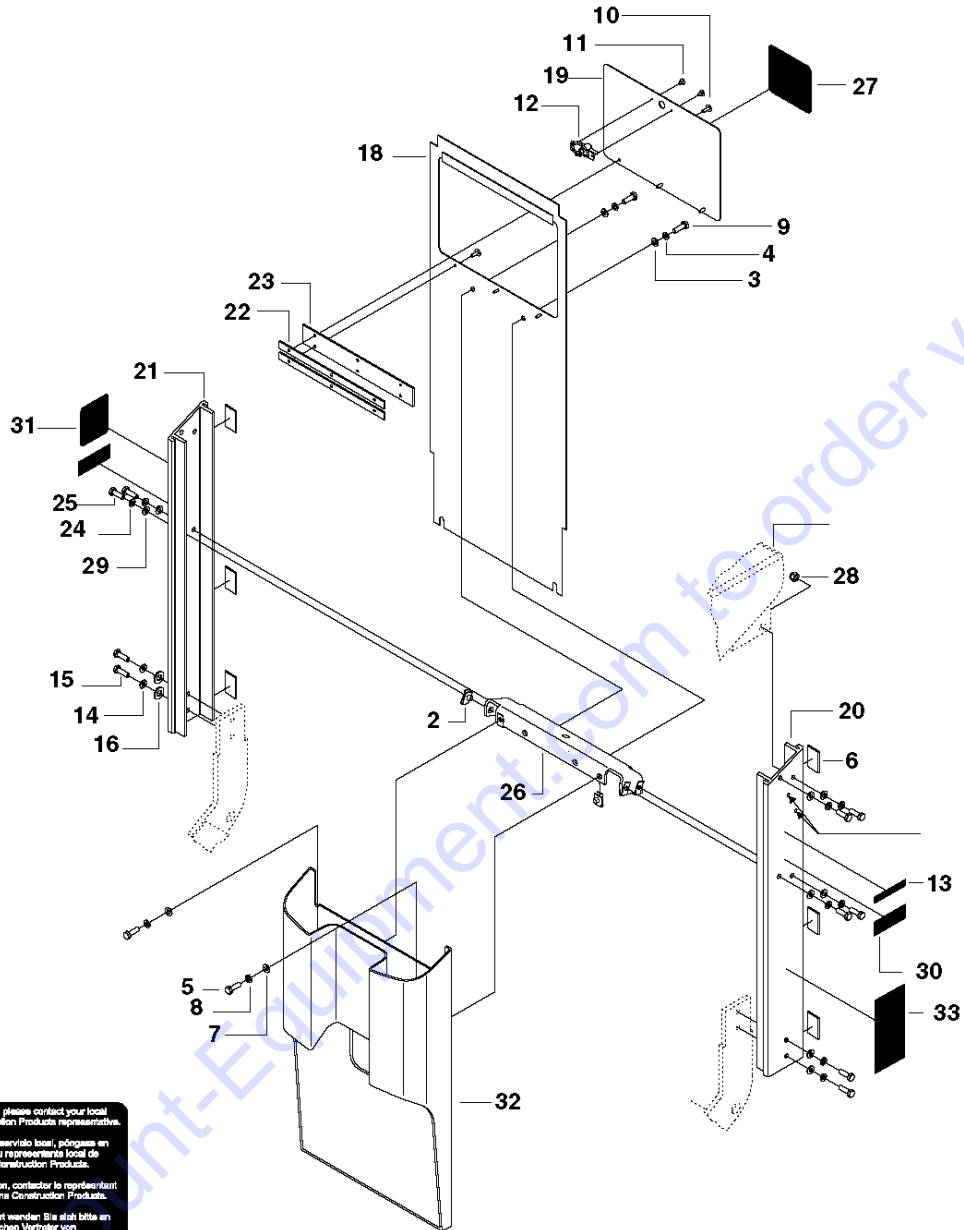


FUEL TANKFS513/FS520/FS524, Valid to machines FS520-2149 and FS 524-1629, 2007-08 to 2011-02

Ref	Part No	Description	Remark	QTY KIT
1	541 20 82-12	FUEL TANK		1
2	542 19 03-93	BUSHING		1
3	542 20 41-18	FITTING		1
4	539 97 04-98	HOSE. FUEL 1/4"		1
5	542 18 31-06	CAP		1
7	542 19 03-92	VALVE		1
8	542 20 41-42	FUEL TANK		1
9	542 19 06-39	DECAL		1
10	542 19 06-39	DECAL		1
11	542 20 41-41	FUEL TANK ASSY		1
12	585 18 78-01	FITTING		1

Go to [Discount-Equipment.com](http://Discount-Equipment.com) to order your parts

TOOLBOX 13 HP



For local service, please contact your local Husqvarna Construction Products representative.

Para efectuar un servicio local, póngase en contacto con su representante local de Husqvarna Construction Products.

Pour toute réparation, contactez le représentant local de Husqvarna Construction Products.

Für Service vor Ort wenden Sie sich bitte an Ihren örtlichen Vertreter von Husqvarna Construction Products.

Neem voor plaatselijke service contact op met uw plaatselijke vertegenwoordiger van de constructieproducten van Husqvarna.

Per assistenza, rivolgersi al rappresentante di zona della Husqvarna Construction Products.

För service på platsen, kontakta din lokala representant för Husqvarna Construction Products.

Para obter serviço técnico local, contactar o representante de Husqvarna Construction Products local.

Europe / Europe:

Husqvarna  
Construction Products  
SE-433 91 Partille, Sweden

Tel: +46 31 94 90 00

Fax: +46 31 94 00 00

Asia Pacific:

Husqvarna  
Construction Products,  
Australia Pty Ltd  
25-31 Kinross Avenue,  
North Plympton, Adelaide,  
South Australia 5037

Tel: +61 (0)8 8376 1000

Fax: +61 (0)8 8371 0990

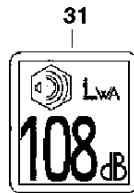
The Americas:

Husqvarna Construction Products,  
North America  
17400 Wood 119th Street,  
Clatha, Kansas 66081 USA

Toll-Free Telephone: 800-526-2040

Telephone: 913-628-1390

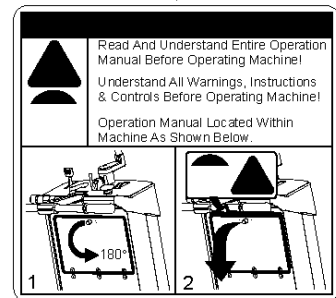
Fax: 913-628-7998



1

PATENT PENDING

**FS 513**

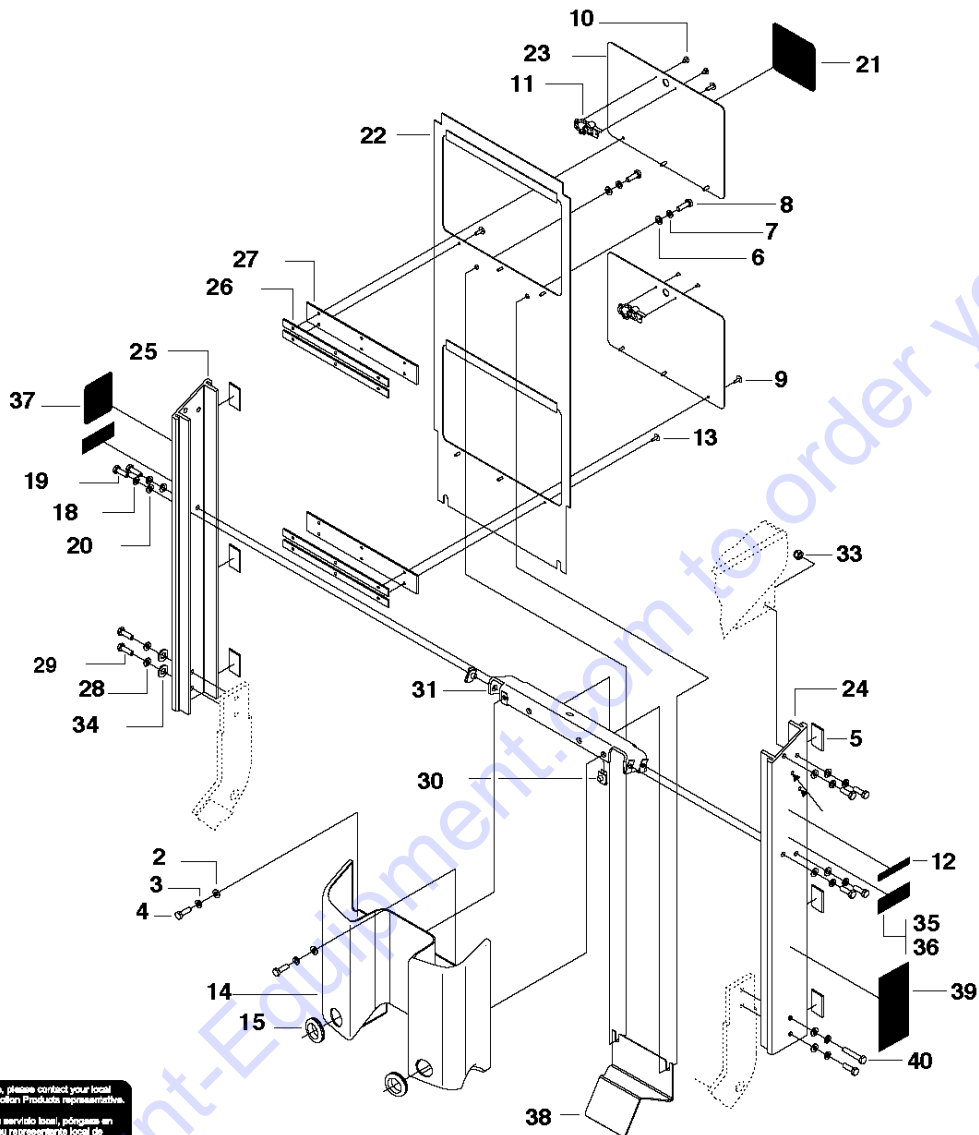


TOOLBOX FS513/FS520/FS524, Valid to machines FS520-2149 and FS 524-1629, 2007-08 to 2011-02

Ref	Part No	Description	Remark	QTY KIT
1	542 16 12-35	DECAL		1
2	542 20 20-99	NUT		8
3	734 11 63-01	WASHER		2
4	735 11 64-01	SPRING WASHER		2
5	725 24 53-71	SCREW EHHM		2
6	542 20 23-07	PAD. RESILIENT		6
7	734 11 63-01	WASHER		2
8	735 11 64-01	SPRING WASHER		2
9	725 24 53-71	SCREW EHHM		4
10	722 79 44-02	RIVET		3
11	722 78 18-03	RIVET		4
12	541 20 82-81	LATCH		2
13	542 16 12-35	DECAL		1
14	735 11 64-01	SPRING WASHER		4
15	725 24 53-71	SCREW EHHM		4
16	734 11 63-01	WASHER		4
17	542 19 05-93	DECAL		1
18	504 20 21-03	COVER		1
19	542 20 23-50	BOX		2
20	542 20 23-49	COVER		1
21	542 20 23-48	COVER		1
22	542 20 21-71	PLATE		4
23	541 20 82-78	HINGE		2
24	735 11 64-01	SPRING WASHER		4
25	725 24 53-71	SCREW EHHM		4
26	542 20 23-52	BRACKET		1
27	542 19 05-93	DECAL		1
28	732 25 18-01	HEXAGON LOCKING NUT		4
29	734 11 63-01	WASHER		4
30	542 19 07-08	DECAL		2
31	543 04 57-88	DECAL		1
32	502 28 91-01	COVER		1
33	542 19 06-46	DECAL		1

Go to Discount-Equipment.com to order your parts

TOOLBOX 20, 24 HP



For local service, please contact your local Husqvarna Construction Products representative.

Para efectuar un servicio local, póngase en contacto con el representante local de Husqvarna Construction Products.

Pour toute réparation, contactez le représentant local de Husqvarna Construction Products.

Für Service vor Ort wenden Sie sich bitte an Ihren örtlichen Vertreter von Husqvarna Construction Products.

Neem voor plaatselijke service contact op met uw plaatselijke vertegenwoordiger van de constructieproducten van Husqvarna.

Per assistenza, rivolgersi al rappresentante di zona della Husqvarna Construction Products.

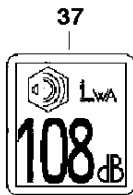
För service på platsen, kontakta din lokala representant för Husqvarna Construction Products.

Para obter serviço técnico local, contactar o representante de Husqvarna Construction Products local.

Europe / Europe:  
Husqvarna  
Construction Products  
SE-433 91 Partille, Sweden  
Tel: +46 31 94 90 00  
Fax: +46 31 94 00 00

Asia Pacific:  
Husqvarna  
Construction Products,  
Australia Pty Ltd  
25-31 Kinross Avenue,  
North Plympton, Adelaide,  
South Australia 5037  
Tel: +61 (0)8 8376 1000  
Fax: +61 (0)8 8371 0990

The Americas:  
Husqvarna Construction Products,  
North America  
17400 Wood 119th Street,  
Clatha, Kansas 66081 USA  
Tel-Free Tollfree: 800-526-2040,  
Telephone: 913-828-1390  
Fax: 913-435-7938



1  
PATENT PENDING

16  
**FS 520**  
17  
**FS 524**

32

Read And Understand Entire Operation Manual Before Operating Machine!  
Understand All Warnings, Instructions & Controls Before Operating Machine!  
Operation Manual Located Within Machine As Shown Below.

1 180° 2

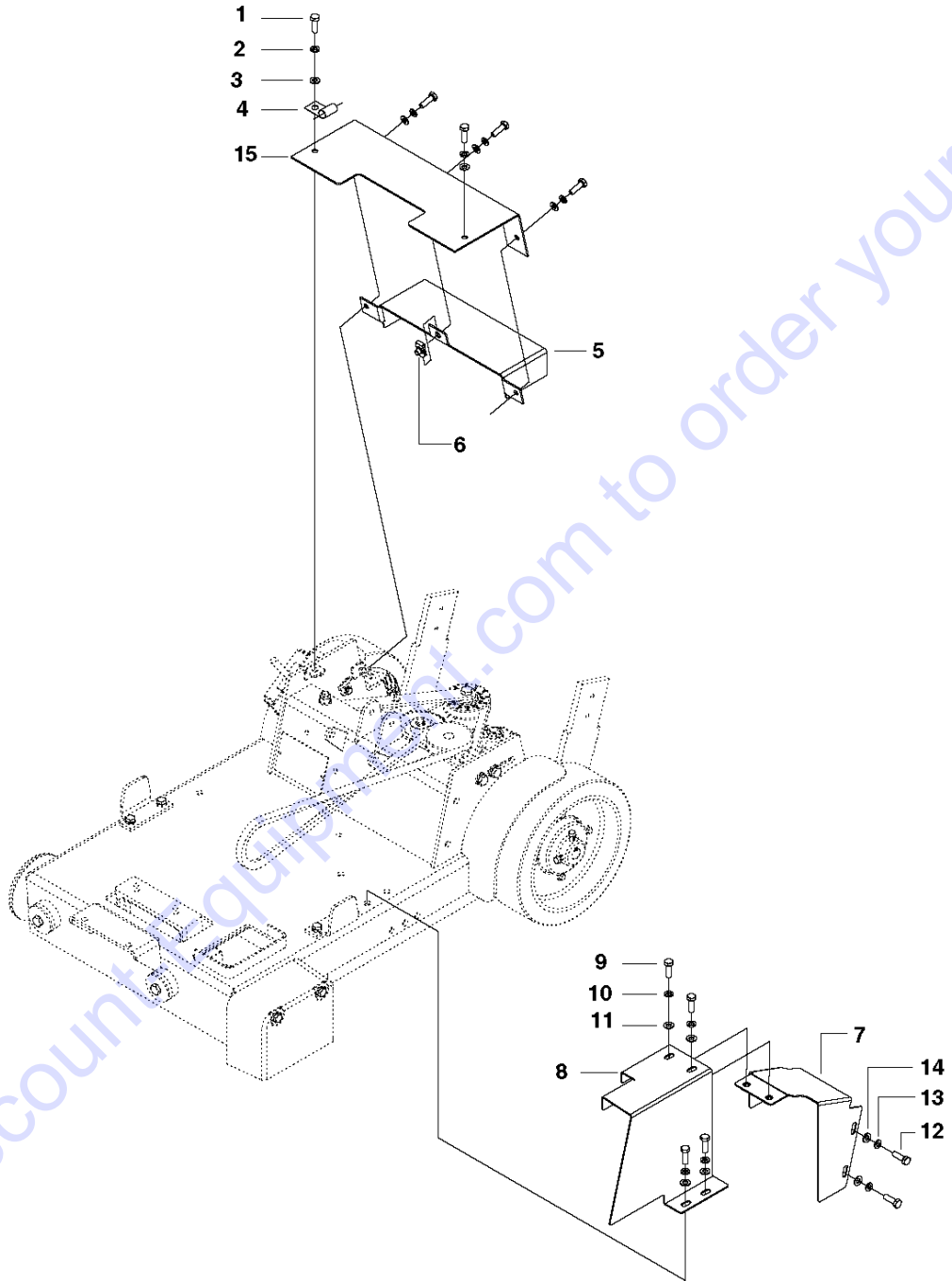
TOOLBOX FS513/FS520/FS524, Valid to machines FS520-2149 and FS 524-1629, 2007-08 to 2011-02

Ref	Part No	Description	Remark	QTY KIT
40	725 24 60-71	SCREW EHHM		1
1	542 16 12-35	DECAL		1
2	734 11 63-01	WASHER		2
3	735 11 64-01	SPRING WASHER		2
4	725 24 53-71	SCREW EHHM		2
5	542 20 23-07	PAD. RESILIENT		6
6	734 11 63-01	WASHER		2
7	735 11 64-01	SPRING WASHER		2
8	725 24 53-71	SCREW EHHM		4
9	722 79 44-02	RIVET		6
10	722 78 18-03	RIVET		4
11	541 20 82-81	LATCH		2
12	542 16 12-35	DECAL		1
13	722 79 44-02	RIVET		6
14	501 13 93-01	CYLINDER COVER		1
15	586 58 07-01	GROMMET		2
16	542 19 07-09	DECAL		1
17	542 19 07-10	DECAL		1
18	735 11 64-01	SPRING WASHER		4
19	725 24 53-71	SCREW EHHM		4
20	734 11 63-01	WASHER		4
21	542 19 05-93	DECAL		1
22	542 20 41-67	COVER		1
23	542 20 23-50	BOX		2
24	542 20 23-49	COVER		1
25	542 20 23-48	COVER		1
26	542 20 21-71	PLATE		4
27	541 20 82-78	HINGE		2
28	735 11 64-01	SPRING WASHER		4
29	725 24 53-71	SCREW EHHM		3
30	542 20 20-99	NUT		8
31	542 20 23-52	BRACKET		1
32	542 19 05-93	DECAL		1
33	732 25 18-01	HEXAGON LOCKING NUT		4
34	734 11 63-01	WASHER		4
35	542 19 07-09	DECAL		2
36	542 19 07-01	DECAL		2
37	543 04 57-88	DECAL		1
38	542 20 41-74	BRACKET		1
39	542 19 06-46	DECAL		1

Go to Discount-Equipment.com to order your parts



COVERS



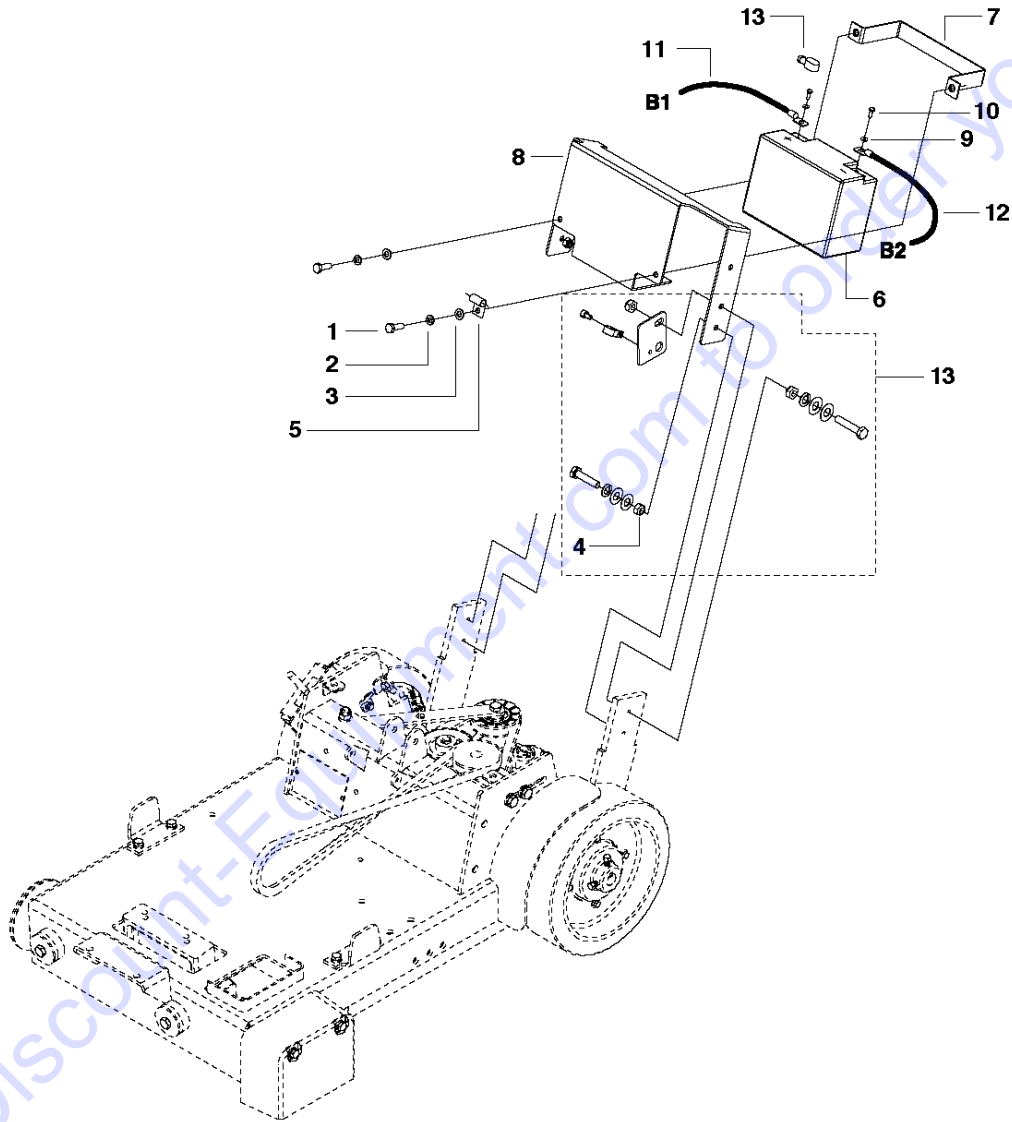
## COVER FS513/FS520/FS524, Valid to machines FS520-2149 and FS 524-1629, 2007-08 to 2011-02

Ref	Part No	Description	Remark	QTY KIT
1	725 24 53-71	SCREW EHHM		5
2	735 11 64-01	SPRING WASHER		5
3	734 11 63-01	WASHER		5
4	542 16 69-55	CLAMP		1
5	542 20 41-72	COVER		1
6	542 20 20-99	NUT		1
7	542 20 41-71	COVER		1
8	542 20 41-70	BELT COVER		1
9	725 24 53-71	SCREW EHHM		4
10	735 11 64-01	SPRING WASHER		4
11	734 11 63-01	WASHER		4
12	725 24 53-71	SCREW EHHM		4
13	735 11 64-01	SPRING WASHER		2
14	734 11 63-01	WASHER		2
15	542 20 41-73	COVER		1

Go to [Discount-Equipment.com](http://Discount-Equipment.com) to order your parts

BATTERY & COVERS- 20 & 24 HP ONLY

**B1 - To Starter Solenoid**  
**B2 - Ground to Engine Block**

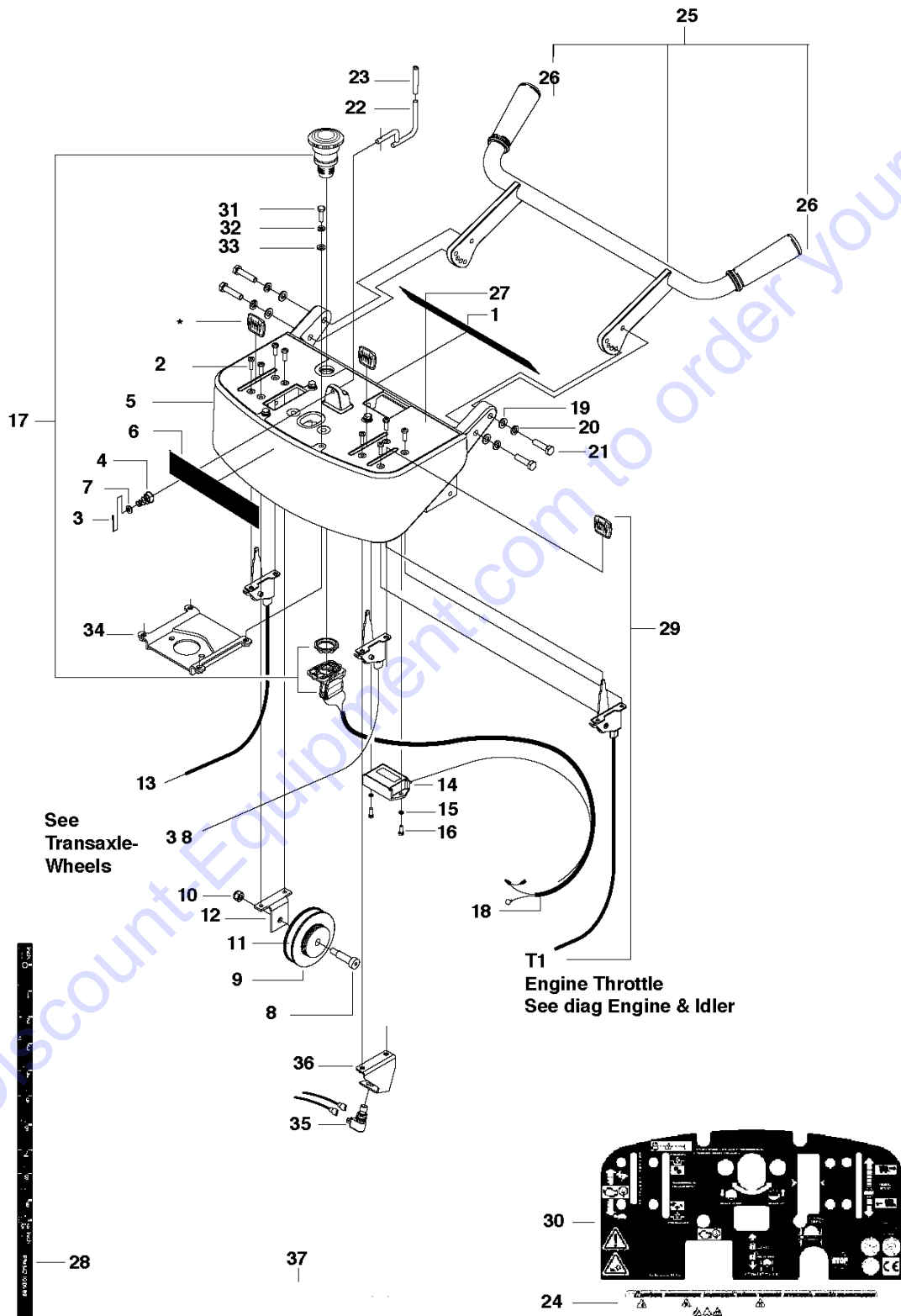


BATTERY & COVERS FS513/FS520/FS524, Valid to machines FS520-2149 and FS 524-1629, 2007-08 to 2011-02

Ref	Part No	Description	Remark	QTY KIT
1	725 24 53-71	SCREW EHHM		2
2	735 11 64-01	SPRING WASHER		2
3	734 11 63-01	WASHER		2
4	732 25 18-01	HEXAGON LOCKING NUT		4
5	542 19 05-60	CLAMP		1
6	541 20 83-18	BATTERY. GEL CELL		1
7	542 20 41-75	BATTERY		1
8	542 20 41-76	BRACE		1
9	734 11 52-01	WASHER		2
10	725 23 66-71	SCREW EHHM		2
11	542 18 22-54	CABLE		1
12	542 18 22-53	CABLE		1
13	585 69 43-01	FIXING PLATE		2

Go to [Discount-Equipment.com](http://Discount-Equipment.com) to order your parts

CONTROL CONSOLE 13 HP



CONTROL CONSOLE FS513/FS520/FS524, Valid to machines FS520-2149 and FS 524-1629, 2007-08 to 2011-02

Ref	Part No	Description	Remark	QTY KIT
38	542 20 23-30	CABLE ASSY		
1	542 19 06-38	DECAL		1
2	724 13 29-51	SCREW CRPANM		8
3	721 61 43-01	PIN		1
4	542 20 41-13	SPRING		1
5	586 46 90-01	CONSOLE		1
6	542 19 07-33	DECAL		1
7	734 11 52-01	WASHER		1
8	541 20 82-79	BOLT		1
9	542 20 21-63	WHEEL		1
10	732 25 18-71	HEXAGON LOCKING NUT		1
11	542 19 05-89	DECAL		1
12	542 20 21-64	BRACKET		1
13	581 49 13-01	CABLE KIT		2
14	539 30 05-56	HOUR METER		1
15	735 11 36-01	SPRING WASHER 4.1X7.1		2
16	725 22 91-71	SCREW EHHM		2
17	582 10 15-01	STOP SWITCH		1
18	542 18 22-52	CORD		1
19	734 11 63-01	WASHER		4
20	735 11 64-01	SPRING WASHER		4
21	725 24 57-71	SCREW EHHM		4
22	542 20 41-09	LOCKING PIN		1
23	542 20 21-69	CAP		1
24	542 19 06-38	DECAL		1
25	542 20 41-86	HANDLEBAR		1
26	542 13 95-68	GRIP		2
27	502 24 01-01	DECAL		1
28	542 19 05-89	DECAL		1
29	542 20 41-51	THROTTLE		1
30	502 24 01-01	DECAL		1
31	725 23 70-71	SCREW EHHM		4
32	735 11 53-01	WASHER		4
33	734 11 52-01	WASHER		4
34	502 85 62-05	BRACKET		1
35	542 20 40-52	SWITCH		1
36	504 06 80-04	BRACKET		1
37	542 19 07-33	DECAL		1

Go to Discount-Equipment.com to order your parts



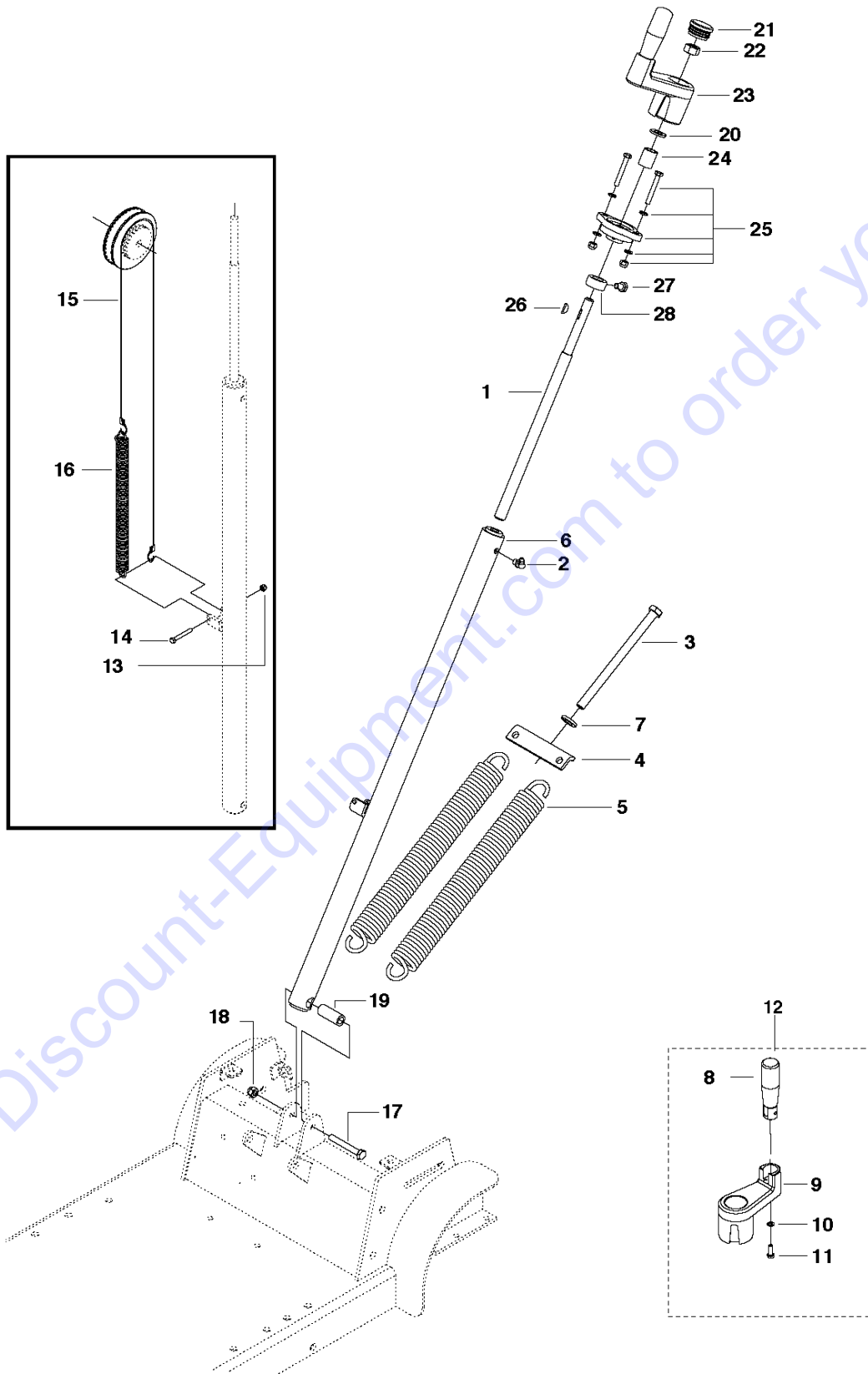
Blade guard - 18"/20" FS513/FS520/FS524, Valid to machines FS520-2149 and FS 524-1629, 2007-08 to 2011-02

Ref	Part No	Description	Remark	QTY	KIT
1	542 20 23-60	BLADE GUARD	18"	1	
1	542 20 40-89	BLADE GUARD	20"	1	
2	542 20 23-62	BLADE GUARD	18"	1	1
2	542 20 41-44	BLADE GUARD	20"	1	1
3	724 13 29-51	SCREW CRPANM		8	1, 2
4	541 20 82-45	PLATE		2	1, 2
5	541 20 82-63	ELBOW		2	1, 2
6	541 20 82-49	TUBE		1	1, 2
7	725 23 31-71	SCREW EHHM		4	1, 2
8	725 24 47-71	SCREW EHHM		4	1, 2
9	541 20 82-46	COVER		1	1, 2
10	542 16 72-98	DECAL		2	
11	542 20 40-64	FLAP		1	1, 16
12	734 11 52-01	WASHER		2	1, 16
13	732 25 16-01	HEXAGON LOCKING NUT		2	1, 16
14	541 20 82-37	GUARD	18"	1	1, 16
14	542 20 40-96	GUIDE BAR	20"	1	1, 16
15	725 24 71-51	SCREW EHHM		1	1, 16
16	542 20 23-63	BLADE GUARD	18"	1	1, 16
16	542 20 41-45	BLADE GUARD	20"	1	1, 16
17	542 16 72-98	DECAL		1	
18	541 20 82-40	GUARD	18"	1	1, 16
18	542 20 40-97	GUIDE BAR	20"	1	1, 16
19	732 25 14-01	HEXAGON LOCKING NUT		5	1, 16
20	541 20 82-30	BEARING		2	1, 2
21	541 20 82-65	TUBE	18"	2	1, 2
21	542 20 41-01	TUBE	20"	1	1, 2
22	725 23 76-71	SCREW EHHM		2	1, 2
23	542 20 40-63	NOZZLE		2	1, 2
24	732 25 18-01	HEXAGON LOCKING NUT		1	1, 16
25	732 25 14-01	HEXAGON LOCKING NUT		4	1, 2
26	725 23 31-71	SCREW EHHM		5	1, 16

Go to Discount-Equipment.com to order your parts



SCREW FEED



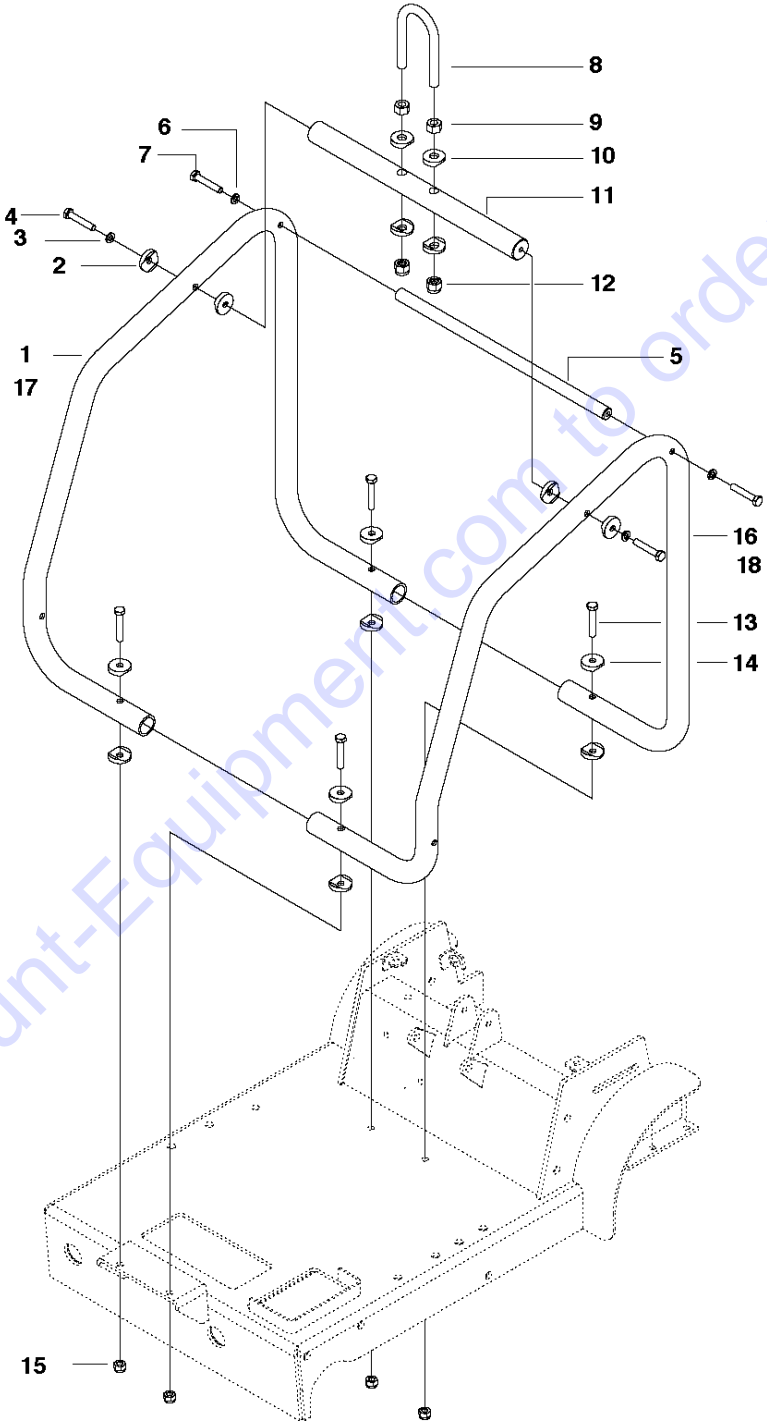
HEIGHT ADJUSTMENT  
2007-08 to 2011-02

FS513/FS520/FS524, Valid to machines FS520-2149 and FS 524-1629,

Ref	Part No	Description	Remark	QTY KIT
1	542 20 41-14	SCREW		1
2	542 20 22-16	GREASE		1
3	542 20 23-00	BOLT		1
4	542 20 21-66	BRACKET		1
5	542 20 21-65	SPRING		2
6	541 20 72-09	SCREW		1
7	734 11 78-01	WASHER		1
8	541 20 71-76	CRANK		1
9	504 20 75-01	HANDLE		1
10	734 11 46-01	WASHER		1
11	725 23 29-71	SCREW EHHM		1
12	541 20 71-61	HANDLE		1
13	732 25 16-01	HEXAGON LOCKING NUT		1
14	725 23 79-51	SCREW EHHM		1
15	542 20 41-16	CABLE ASSY		1
16	542 20 22-83	SPRING		1
17	725 25 03-51	SCREW EHHM		1
18	732 25 20-01	HEXAGON LOCKING NUT		1
19	542 20 23-79	BUSHING		1
20	734 11 78-01	WASHER		1
21	543 04 60-31	PLUG		1
22	539 99 02-58	NUT		1
23	541 20 71-61	HANDLE		1
24	542 20 21-16	SPACER		1
25	585 57 50-01	BEARING KIT		1
26	539 30 00-92	WOODRUFF KEY		4
27	725 24 47-71	SCREW EHHM		2
28	542 20 23-38	COLLAR		1

Go to Discount-Equipment.com to order your parts

ENGINE CAGE

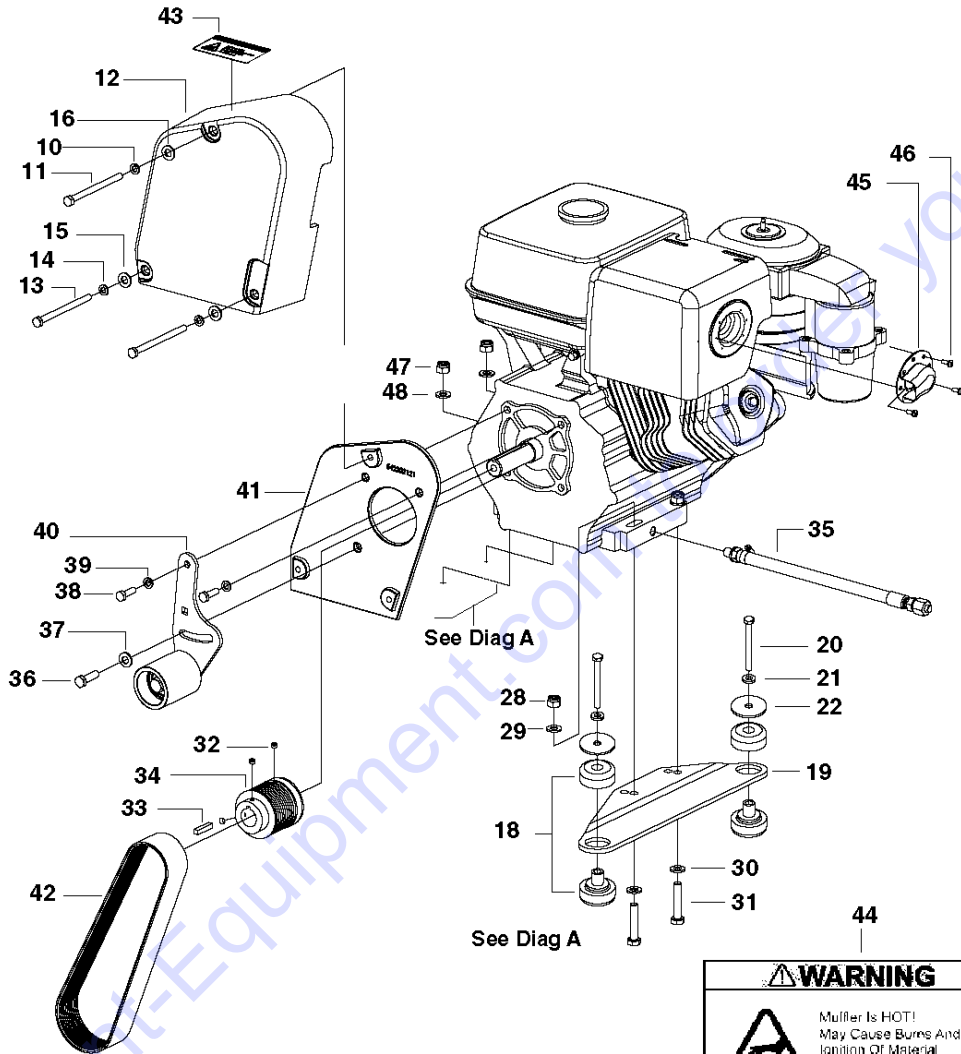


ENGINE CAGE FS513/FS520/FS524, Valid to machines FS520-2149 and FS 524-1629, 2007-08 to 2011-02

Ref	Part No	Description	Remark	QTY KIT
1	542 20 21-81	ENGINE COVER		1
2	542 20 21-84	WASHER		4
3	735 11 64-01	SPRING WASHER		2
4	725 24 61-71	SCREW EHHM		2
5	542 20 21-85	BAR		1
6	735 11 64-01	SPRING WASHER		2
7	725 24 61-71	SCREW EHHM		2
8	542 20 21-87	BOLT		1
9	731 23 22-01	HEXAGON NUT		2
10	542 20 21-88	WASHER		4
11	542 20 21-86	BAR		1
12	732 25 22-01	HEXAGON LOCKING NUT		2
13	725 24 63-51	SCREW EHHM		4
14	542 20 21-84	WASHER		8
15	732 25 18-01	HEXAGON LOCKING NUT		4
16	542 20 21-82	ENGINE COVER		1
17	542 20 22-52	ENGINE COVER		1
18	542 20 22-55	ENGINE COVER		1

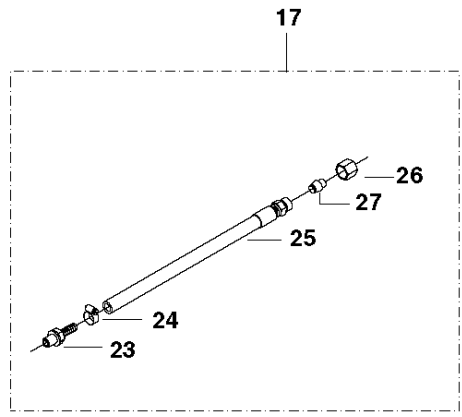
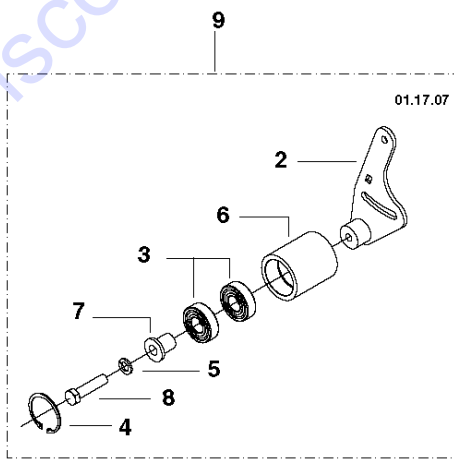
Go to Discount-Equipment.com to order your parts

ENGINE & IDLER 13 HP



**WARNING**  
Muffler Is HOT!  
May Cause Burns And / Or  
Ignition Of Material  
Avoid Contact!

49- Kit, Deep Groove Pulley FS513

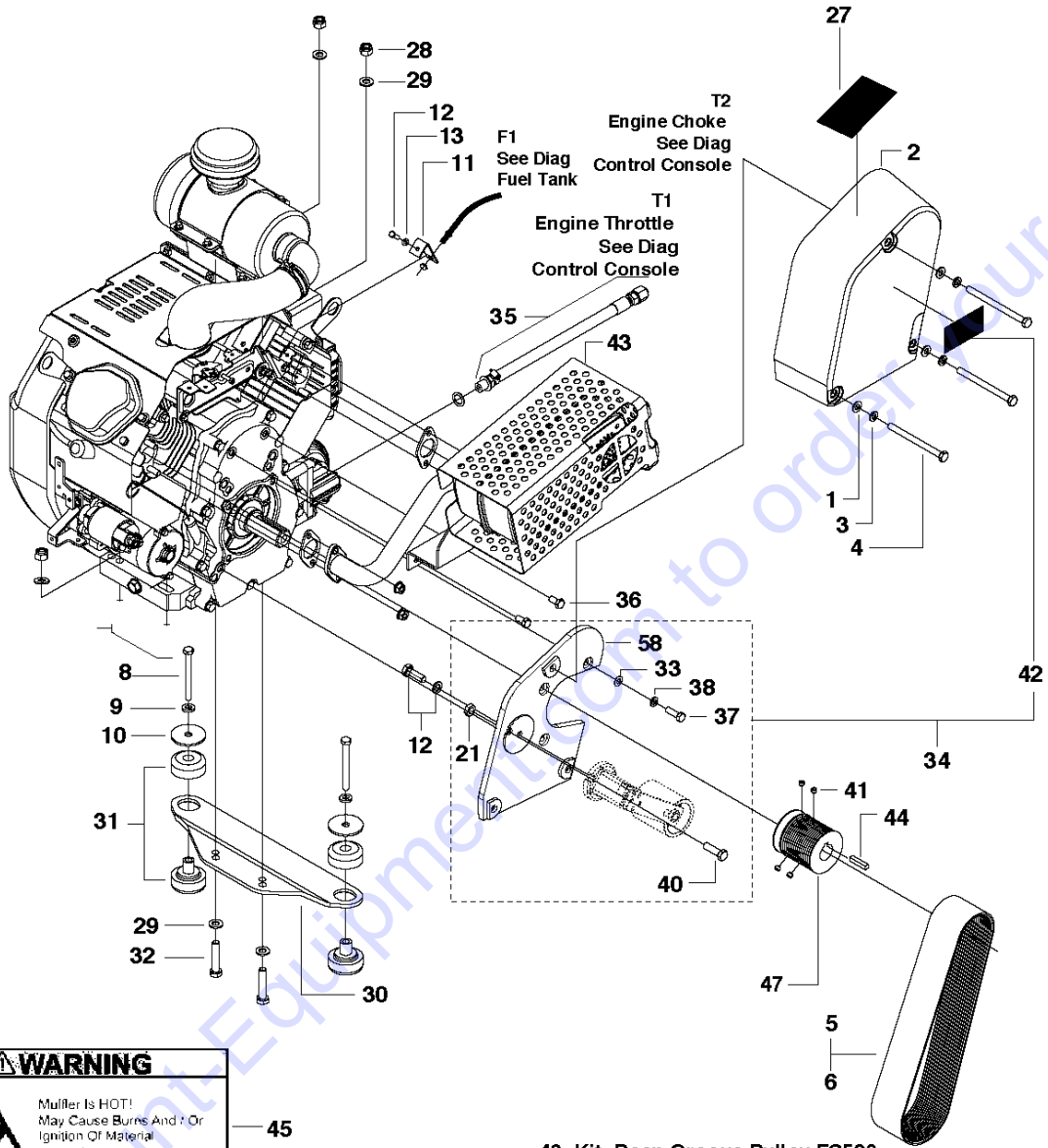


ENGINE & IDLER FS513/FS520/FS524, Valid to machines FS520-2149 and FS 524-1629, 2007-08 to 2011-02

Ref	Part No	Description	Remark	QTY KIT
2	541 20 81-90	BRACKET		1
3	542 13 92-73	BALL BEARING		2
4	735 31 40-10	CIRCLIP		1
5	735 11 78-01	WASHER		1
6	541 20 81-95	SHEAVE		1
7	541 20 81-94	SPACER		1
8	725 25 42-51	SCREW EHHM		1
9	541 20 81-96	IDLER SHEAVE ASSEMBLY		1
10	735 11 64-01	SPRING WASHER		1
11	725 24 71-71	BOLT		1
12	542 20 21-22	BELT GUARD		1
13	725 24 73-51	SCREW EHHM		2
14	735 11 64-01	SPRING WASHER		2
15	734 11 63-01	WASHER		2
16	734 11 63-01	WASHER		1
17	542 20 21-51	OIL		1
18	542 16 11-96	ISOLATOR		2
19	542 20 41-79	PLATE		1
20	725 25 05-51	SCREW EHHM		2
21	735 11 73-01	SPRING WASHER		2
22	542 20 21-06	WASHER		2
23	542 16 71-33	ADAPTER		1
24	539 30 00-72	CLAMP, HOSE, MAH-4 FUEL LINE		1
25	542 20 21-52	HOSE ASSY		1
26	542 16 76-22	NUT		1
27	542 16 73-06	CAP		1
28	732 25 20-01	HEXAGON LOCKING NUT		2
29	734 11 72-01	WASHER		2
30	734 11 72-01	WASHER		2
31	725 25 01-51	SCREW EHHM		2
32	542 13 97-68	SCREW		4
33	539 91 27-57	KEY		1
34	504 73 65-06	PULLEY		1
35	542 20 21-51	OIL		1
36	539 97 69-41	SCREW		1
37	543 04 47-32	WASHER		1
38	541 20 51-97	BOLT		2
39	735 11 64-01	SPRING WASHER		2
40	541 20 81-96	IDLER SHEAVE ASSEMBLY		1
41	504 90 10-02	BELT GUARD		1
42	542 20 21-50	BELT		1
43	542 16 90-65	DECAL		1
44	542 16 90-65	DECAL		1
45	541 20 09-86	DEFLECTOR		1
46	729 53 40-01	SCREW CCRPANT		3
47	732 25 20-01	HEXAGON LOCKING NUT		2
48	734 11 72-01	WASHER		2
49	504 80 55-03	REPAIR KIT		1

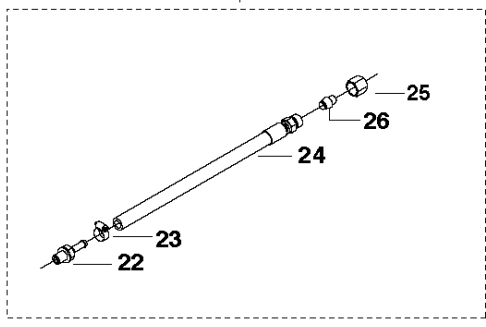
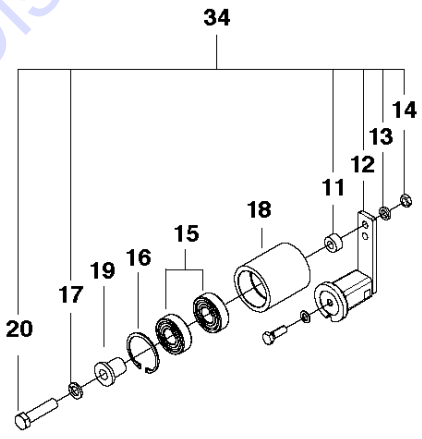
Go to [Dispart.com](http://www.Dispart.com) to order your parts

ENGINE & IDLER 20, 24 HP



**WARNING**  
 Muller Is HOT!  
 May Cause Burns And / Or  
 Ignition Of Material  
 Avoid Contact!

46- Kit, Deep Groove Pulley FS520  
 48- Kit, Deep Groove Pulley FS524



ENGINE & IDLER FS513/FS520/FS524, Valid to machines FS520-2149 and FS 524-1629, 2007-08 to 2011-02

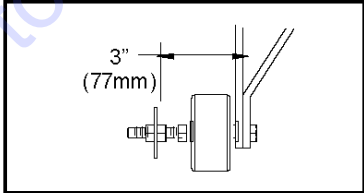
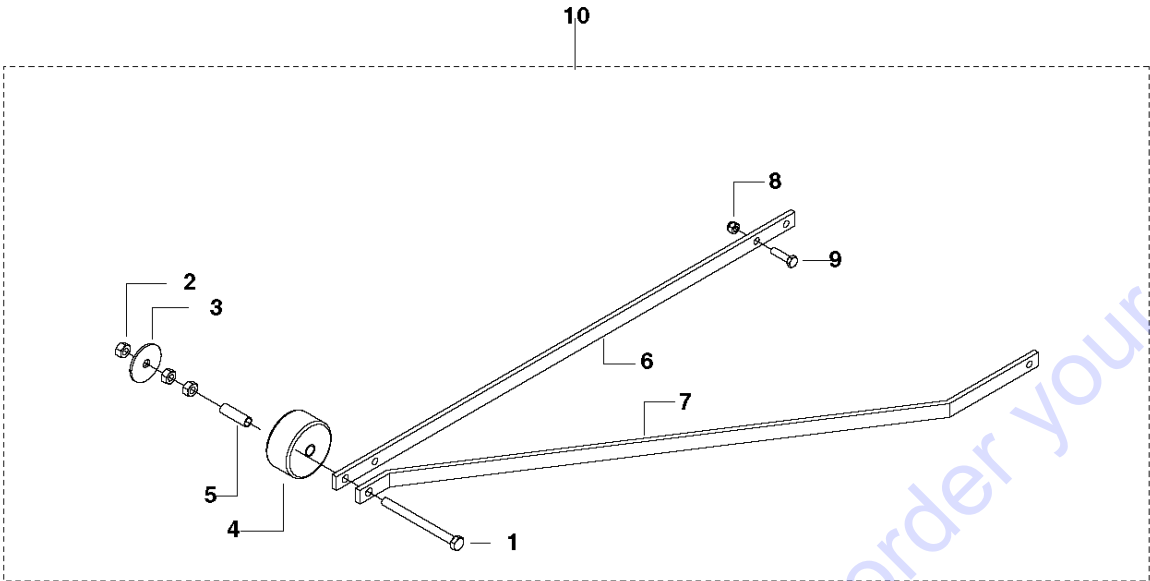
Ref	Part No	Description	Remark	QTY KIT
1	734 11 63-01	WASHER		3
2	542 20 21-22	BELT GUARD		1
3	735 11 64-01	SPRING WASHER		3
4	725 24 73-51	SCREW EHHM		3
5	542 20 21-49	BELT		1
6	504 06 83-01	BELT		1
7	542 20 41-81	OIL DRAIN ASSY		1
8	725 25 05-51	SCREW EHHM		2
9	735 11 73-01	SPRING WASHER		2
10	542 20 21-06	WASHER		2
11	586 09 11-01	SPACER		1
12	586 19 59-01	BELT TENSIONER		1
13	735 11 78-01	WASHER		1
14	731 43 22-01	HEXAGON THIN NUT		1
15	542 13 92-73	BALL BEARING		2
16	735 31 40-10	CIRCLIP		1
17	734 11 78-01	WASHER		1
18	541 20 81-95	SHEAVE		1
19	541 20 81-94	SPACER		1
20	725 25 46-51	SCREW EHHM		1
21	732 21 18-01	LOCK NUT		1
22	501 97 13-01	ADAPTER		1
23	539 30 00-72	CLAMP, HOSE, MAH-4 FUEL LINE		1
24	542 20 21-52	HOSE ASSY		1
25	542 16 76-22	NUT		1
26	542 16 73-06	CAP		1
27	542 16 90-65	DECAL		1
28	732 25 20-01	HEXAGON LOCKING NUT		4
29	734 11 72-01	WASHER		4
30	542 20 41-79	PLATE		1
31	542 16 11-96	ISOLATOR		2
32	725 25 01-51	SCREW EHHM		2
33	734 11 63-01	WASHER		1
34	586 30 82-01	BELT		1
35	542 20 41-81	OIL DRAIN ASSY		1
36	725 24 49-71	SCREW EHHM		2
37	541 20 51-97	BOLT		2
38	735 11 64-01	SPRING WASHER		2
40	725 54 57-01	SCREW IHSCM		1
41	542 13 97-68	SCREW		4
42	586 23 93-01	DECAL		1
43	521 93 52-01	MUFFLER		1
44	539 91 27-57	KEY		1
45	542 16 90-65	DECAL		1
46	504 80 55-02	REPAIR KIT		1
47	504 73 65-04	PULLEY		1
47	504 73 65-02	PULLEY		1
48	504 80 55-01	REPAIR KIT		1
58	599 32 36-01	PLATE		1

Go to [DiscountEquipment.com](http://DiscountEquipment.com) to order your parts



POINTER - SINGLE FS513/FS520/FS524, Valid to machines FS520-2149 and FS 524-1629, 2007-08 to 2011-02

POINTER - SINGLE



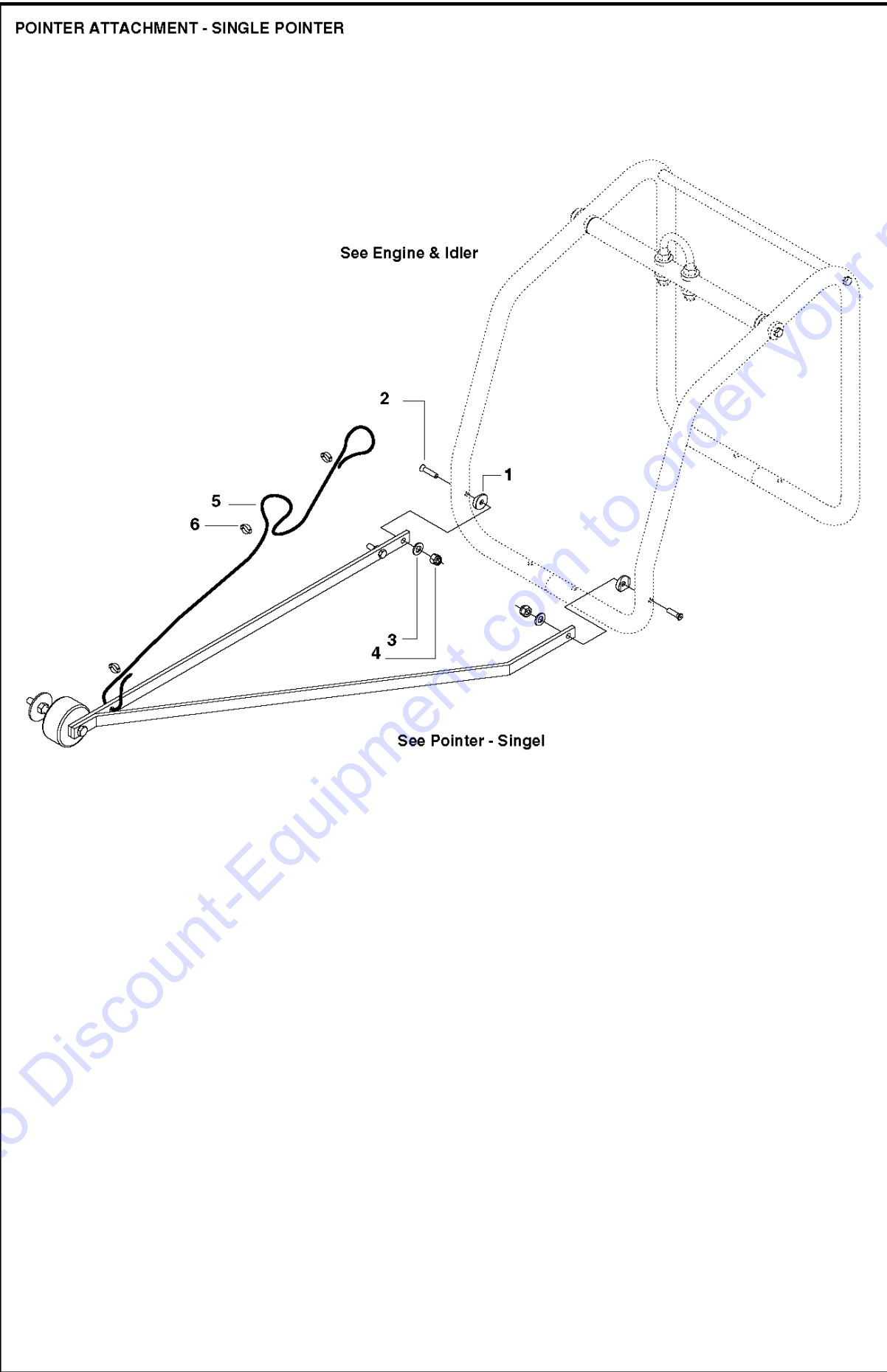
Go to Discount-Equipment.com to order your parts

POINTER - SINGLE FS513/FS520/FS524, Valid to machines FS520-2149 and FS 524-1629, 2007-08 to 2011-02

Ref	Part No	Description	Remark	QTY KIT
1	725 25 15-71	SCREW EHHM		1
2	731 23 20-01	HEXAGON NUT		3
3	542 20 21-06	WASHER		1
4	543 04 59-32	WHEEL		1
5	542 20 20-75	BUSHING		1
6	542 20 21-31	BAR		1
7	542 20 21-30	BAR		1
8	732 25 18-01	HEXAGON LOCKING NUT		1
9	725 24 55-71	SCREW EHHM		1
10	542 20 20-78	POINTER		1

Go to [Discount-Equipment.com](http://Discount-Equipment.com) to order your parts

POINTER ATTACHMENT - SINGLE POINTER FS513/FS520/FS524, Valid to machines FS520-2149 and FS 524-1629, 2007-08 to 2011-02



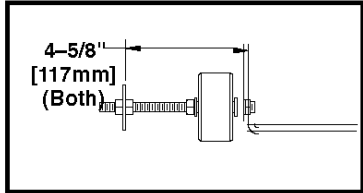
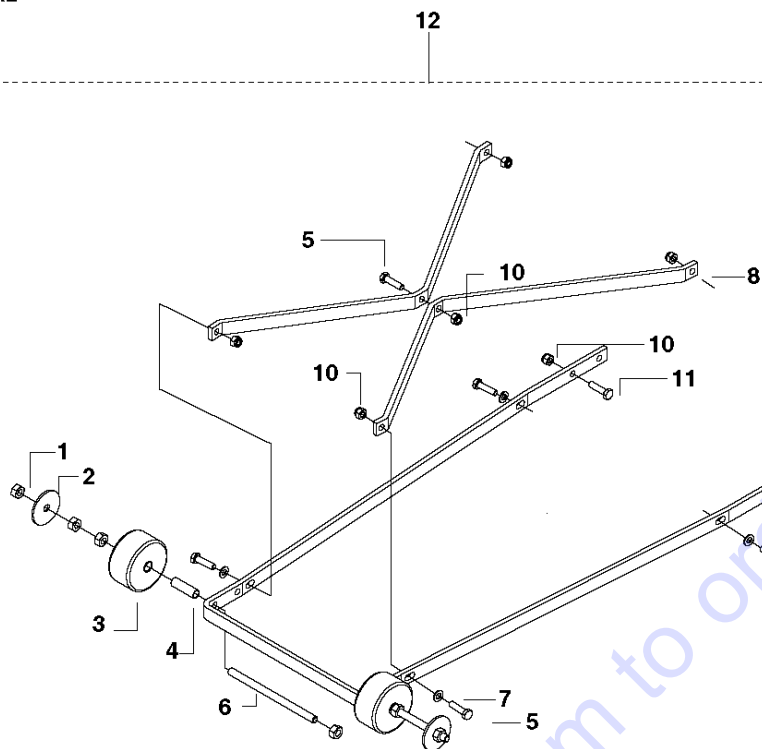
POINTER ATTACHMENT - SINGLE POINTER FS513/FS520/FS524, Valid to machines FS520-2149 and FS 524-1629, 2007-08 to 2011-02

Ref	Part No	Description	Remark	QTY KIT
1	542 20 21-84	WASHER		2
2	725 64 63-01	SCREW IHCSFM		2
3	734 11 63-01	WASHER		2
4	732 25 18-01	HEXAGON LOCKING NUT		2
5	542 17 21-37	ROPE. POINTER		1
6	542 16 27-61	CLAMP		3

Go to [Discount-Equipment.com](http://Discount-Equipment.com) to order your parts

POINTER - DUAL FS513/FS520/FS524, Valid to machines FS520-2149 and FS 524-1629, 2007-08 to 2011-02

POINTER - DUAL



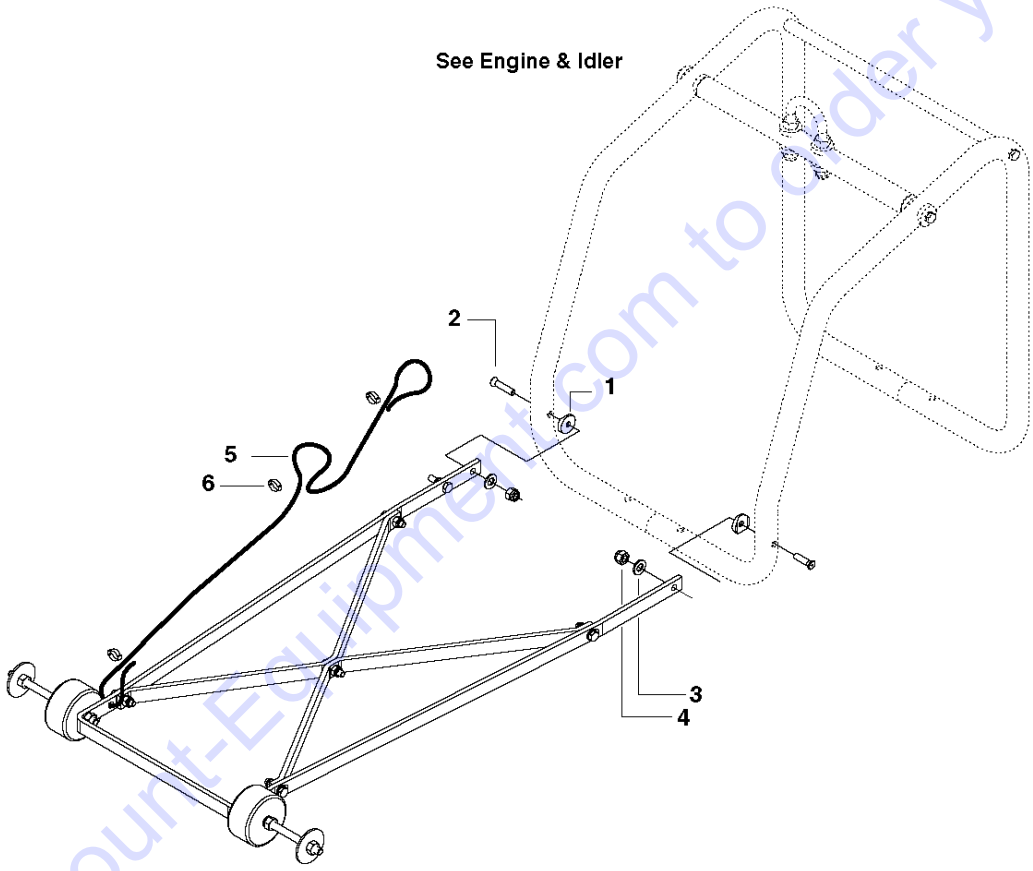
Go to Discount-Equipment.com to order your parts

POINTER - DUAL FS513/FS520/FS524, Valid to machines FS520-2149 and FS 524-1629, 2007-08 to 2011-02

Ref	Part No	Description	Remark	QTY KIT
1	731 23 20-01	HEXAGON NUT		8
2	542 20 21-06	WASHER		2
3	543 04 59-32	WHEEL		2
4	542 20 20-75	BUSHING		2
5	725 24 55-71	SCREW EHHM		6
6	542 20 20-77	ROD		2
7	734 11 63-01	WASHER		4
8	542 20 22-74	BAR PLATE		2
9	542 20 22-71	BAR. OUTSIDE. FINISHED		1
10	732 25 18-01	HEXAGON LOCKING NUT		4
11	732 25 18-71	HEXAGON LOCKING NUT		1
12	542 20 22-70	POINTER		1

Go to [Discount-Equipment.com](http://Discount-Equipment.com) to order your parts

POINTER ATTACHMENT - DUAL POINTER



Go to Discount-Equipment.com to order your parts

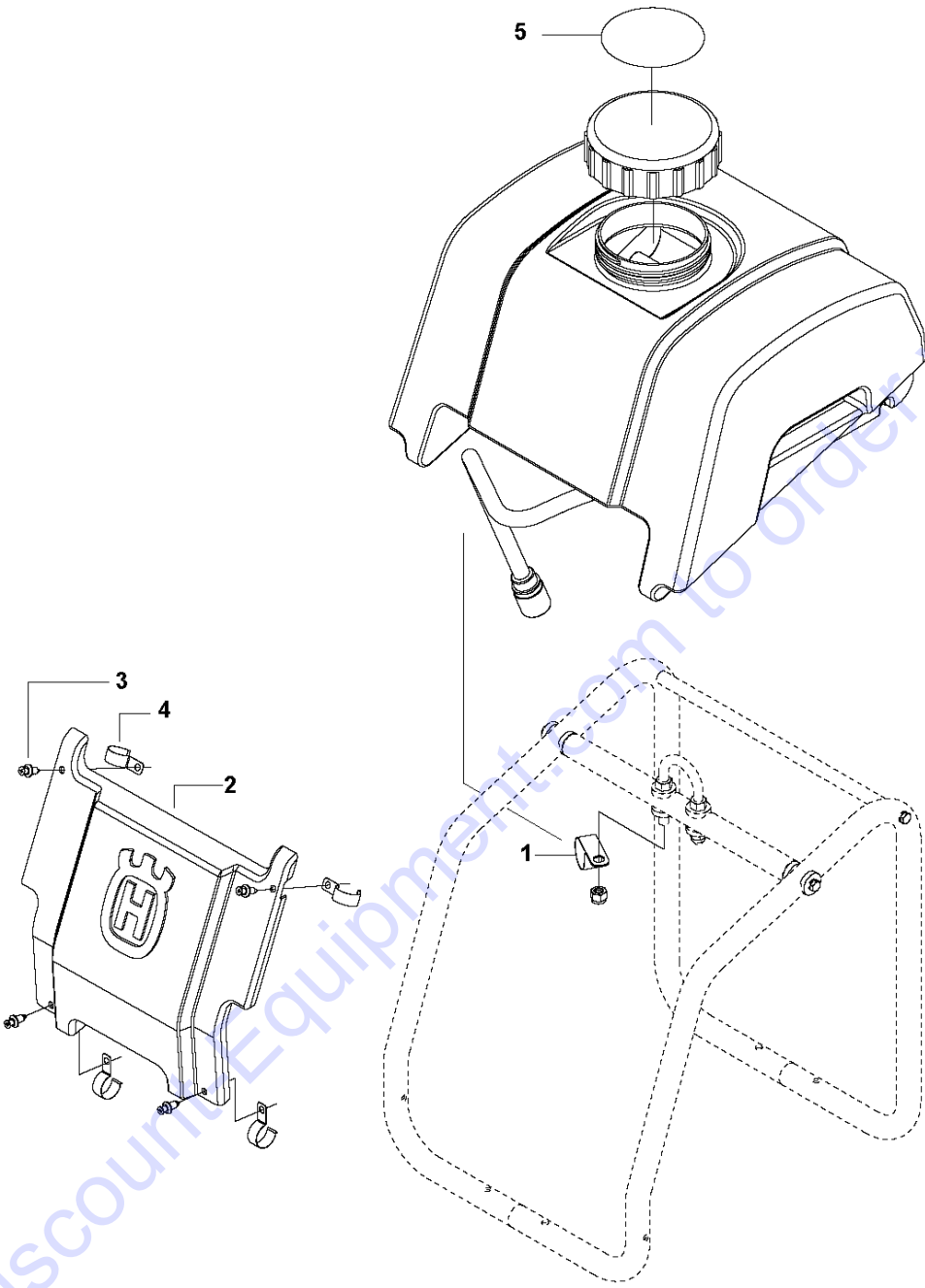
POINTER ATTACHMENT - DUAL POINTER FS513/FS520/FS524, Valid to machines FS520-2149 and FS 524-1629, 2007-08 to 2011-02

Ref	Part No	Description	Remark	QTY KIT
1	542 20 21-84	WASHER		2
2	725 64 63-01	SCREW IHCSFM		2
3	734 11 63-01	WASHER		2
4	732 25 18-01	HEXAGON LOCKING NUT		2
5	542 17 21-37	ROPE. POINTER		1
6	542 16 27-61	CLAMP		3

Go to [Discount-Equipment.com](http://Discount-Equipment.com) to order your parts



**WATER TANK & NOSE PIECE 13 HP**

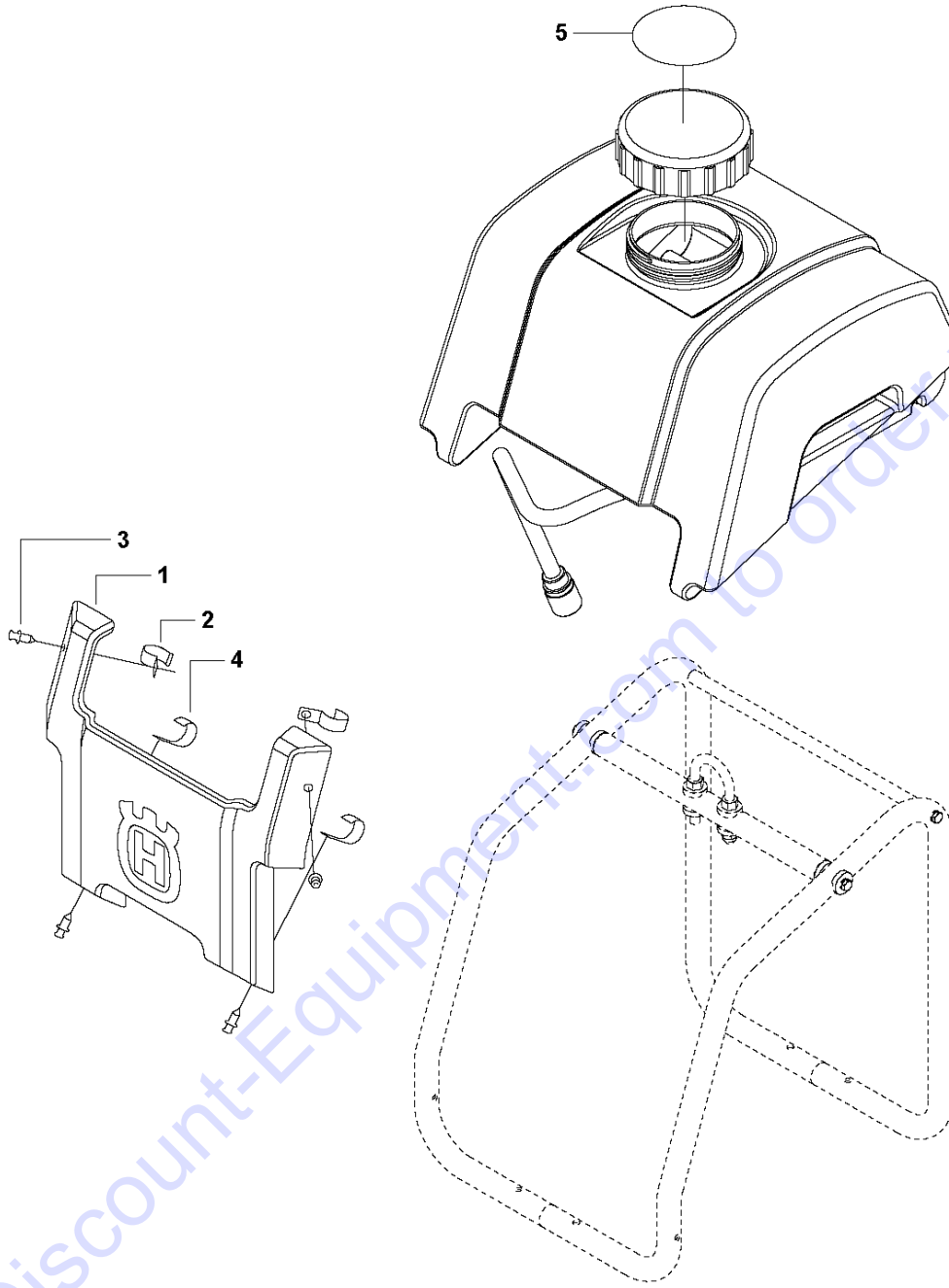


WATER TANK & NOSE PIECE FS513/FS520/FS524, Valid to machines FS520-2149 and FS 524-1629, 2007-08 to 2011-02

Ref	Part No	Description	Remark	QTY KIT
1	542 20 23-11	BRACKET		1
2	542 20 41-49	COVER		1
3	542 20 21-28	CLIP		4
4	542 16 66-24	BOLT		4
5	599 71 52-01	DECAL		1

Go to [Discount-Equipment.com](http://Discount-Equipment.com) to order your parts

**WATER TANK & NOSE PIECE 20, 24 HP**

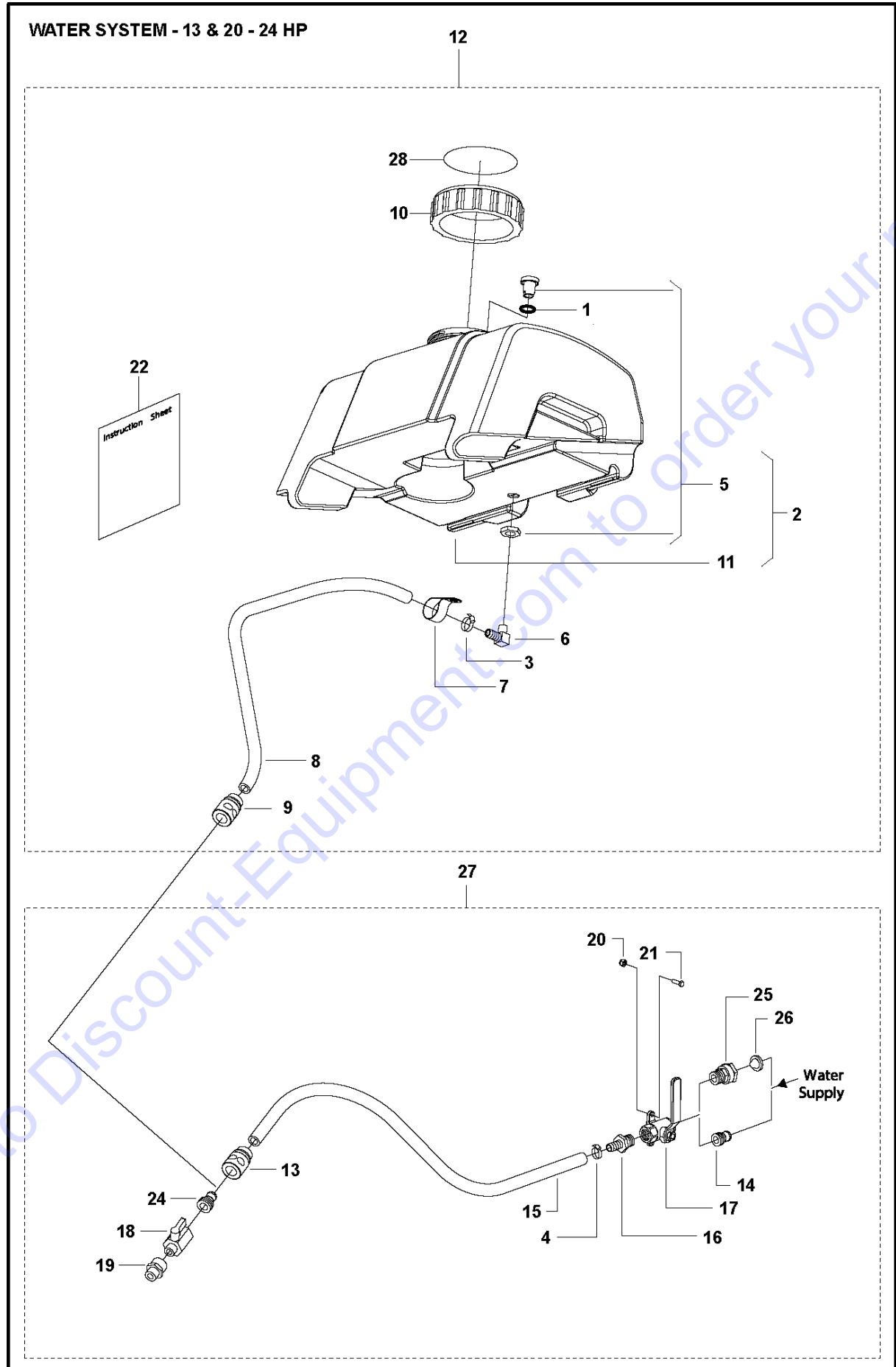


Go to Discount-Equipment.com to order your parts

WATER TANK & NOSE PIECE FS513/FS520/FS524, Valid to machines FS520-2149 and FS 524-1629, 2007-08 to 2011-02

Ref	Part No	Description	Remark	QTY KIT
1	542 20 41-50	COVER		1
2	542 20 21-28	CLIP		2
3	542 16 66-24	BOLT		4
4	504 10 11-02	CLIP		2
5	599 71 52-01	DECAL		1

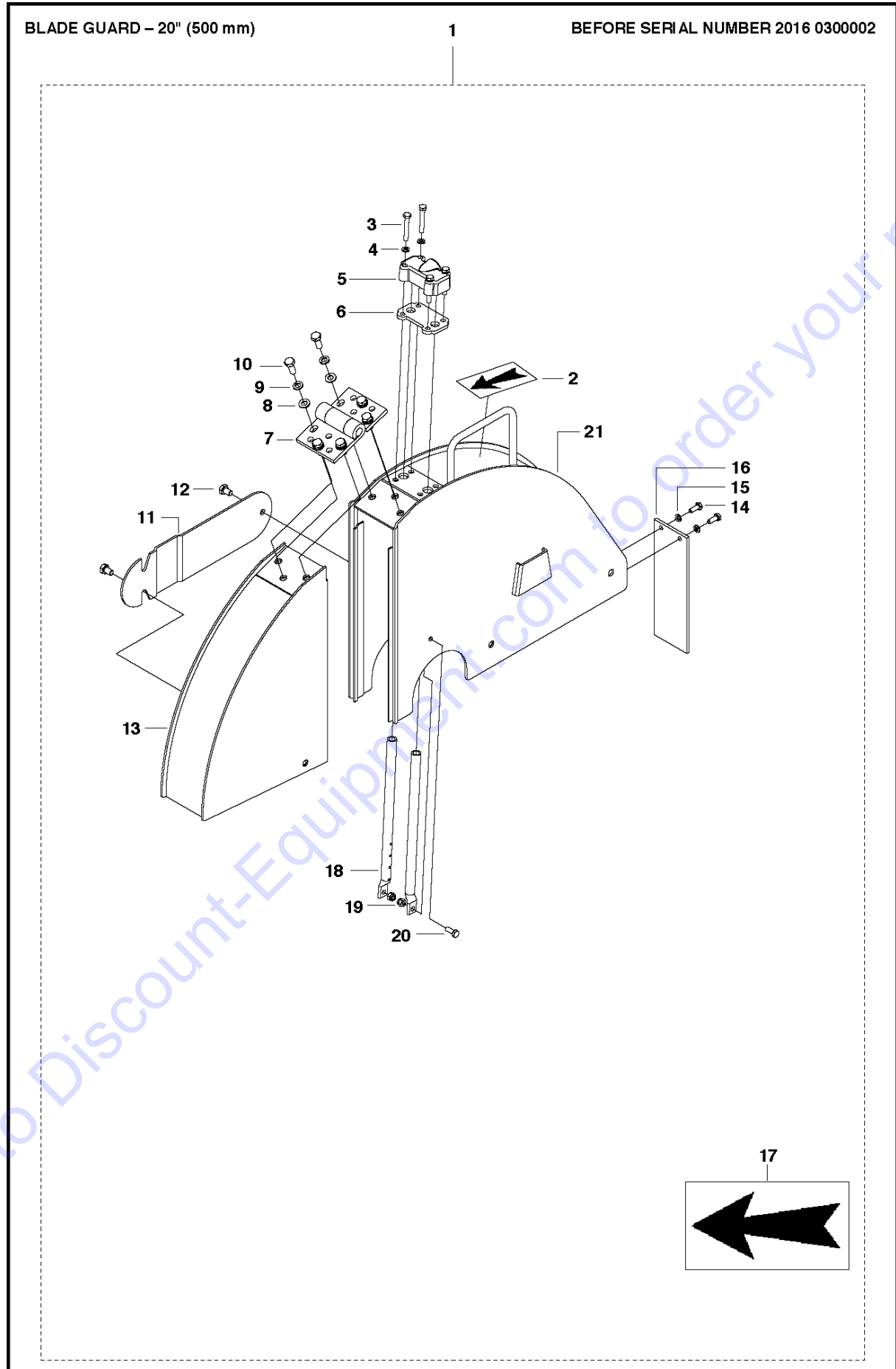
Go to [Discount-Equipment.com](http://Discount-Equipment.com) to order your parts



WATER SYSTEM FS513/FS520/FS524, Valid to machines FS520-2149 and FS 524-1629, 2007-08 to 2011-02

Ref	Part No	Description	Remark	QTY KIT
1	588 45 10-01	O-RING		1
2	542 20 23-20	TANK		1
3	543 85 03-44	CLIP		1
4	543 85 03-44	CLIP		1
5	542 19 61-84	FITTING		1
6	543 85 01-31	FITTING		1
7	542 20 23-11	BRACKET		1
8	543 04 55-80	HOSE		1
9	543 04 56-12	QUICK COUPLING		1
10	541 20 82-84	HUB CAP		1
11	542 20 20-93	TANK		1
12	541 20 82-86	WATER TANK		1
13	543 04 56-12	QUICK COUPLING		1
14	543 85 03-59	ADAPTER		1
15	543 04 55-80	HOSE		1
16	542 20 23-21	FITTING		1
17	542 13 95-37	VALVE. WATER. 1/2"		1
18	543 04 55-39	TAP		1
19	542 20 23-40	FITTING		1
20	732 25 12-01	HEXAGON LOCKING NUT		2
21	725 22 95-71	SCREW EHHM		2
22	542 20 11-23	TANK		1
24	543 04 56-10	ADAPTER		1
25	542 20 23-08	FITTING		1
26	542 04 56-40	WASHER		1
27	542 20 23-15	SIDE LAMINATE		1
28	599 71 52-01	DECAL		1

Go to Discount-Equipment.com to order your parts



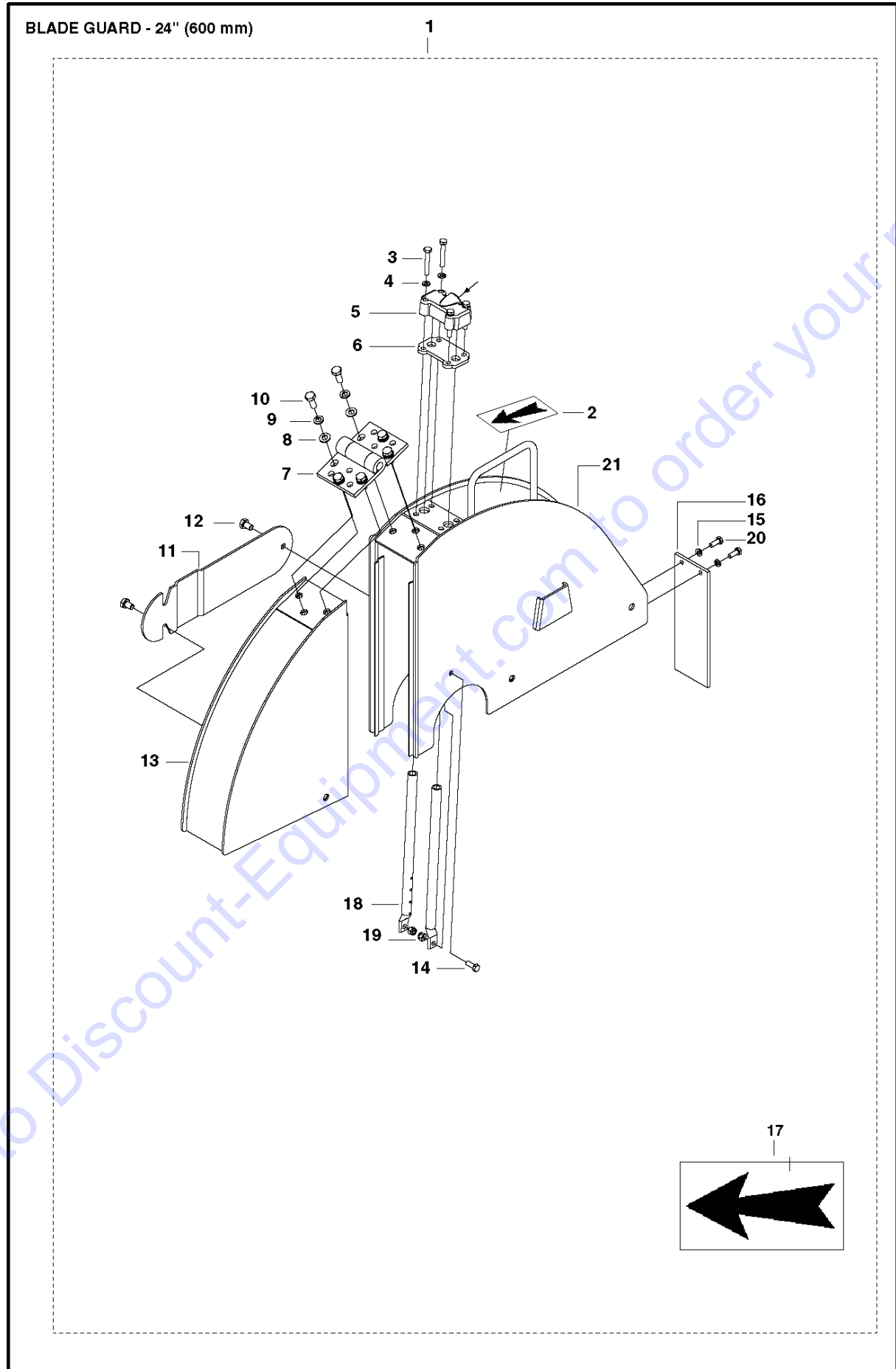
Blade Guard - 20" FS513/FS520/FS524, Valid to machines FS520-2149 and FS 524-1629, 2007-08 to 2011-02

Ref	Part No	Description	Remark	QTY KIT
1	501 12 59-01	BLADE GUARD		2
2	542 20 40-63	NOZZLE		2
3	541 20 82-63	ELBOW		2
4	725 23 31-71	SCREW EHHM		4
5	725 23 76-71	SCREW EHHM		2
6	725 23 31-71	SCREW EHHM		5
7	541 20 82-49	TUBE		1
8	541 20 82-30	BEARING		2
9	541 20 82-45	PLATE		2
10	724 13 29-51	SCREW CRPANM		8
11	542 20 40-64	FLAP		1
12	732 25 16-01	HEXAGON LOCKING NUT		2
13	734 11 52-01	WASHER		2
14	732 25 14-01	HEXAGON LOCKING NUT		4
15	725 24 71-51	SCREW EHHM		1
16	732 25 14-01	HEXAGON LOCKING NUT		5
17	725 24 47-71	SCREW EHHM		4
18	541 20 82-46	COVER		1
19	542 20 40-89	BLADE GUARD		1
20	542 20 41-45	BLADE GUARD		1
21	542 20 40-97	GUIDE BAR		1
22	542 20 41-44	BLADE GUARD		1
23	542 20 40-96	GUIDE BAR		1
24	732 25 18-01	HEXAGON LOCKING NUT		1
25	542 16 72-98	DECAL		1
26	542 16 72-98	DECAL		2

Go to Discount-Equipment.com to order your parts



Blade Guard - 24" FS513/FS520/FS524, Valid to machines FS520-2149 and FS 524-1629, 2007-08 to 2011-02

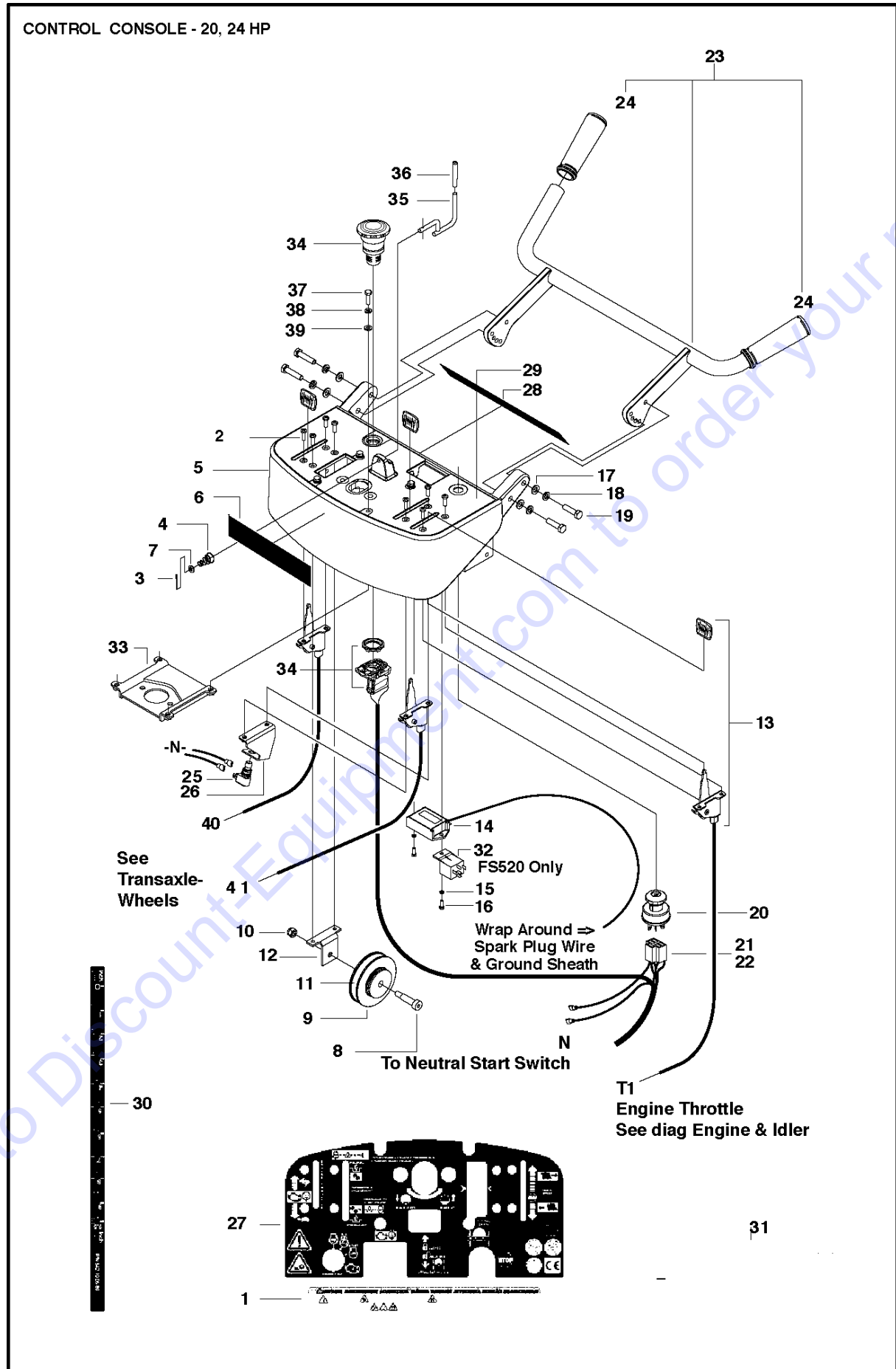


Blade Guard - 24" FS513/FS520/FS524, Valid to machines FS520-2149 and FS 524-1629, 2007-08 to 2011-02

Ref	Part No	Description	Remark	QTY KIT
1	542 20 41-87	BLADE GUARD		1
2	543 85 00-37	STICKER		1
3	725 23 78-71	SCREW EHHM		4
4	735 11 53-01	WASHER		4
5	542 13 90-45	AXE		1
6	542 13 90-51	JOINT		1
7	542 19 05-19	HINGE		1
8	734 11 63-01	WASHER		6
9	735 11 64-01	SPRING WASHER		6
10	725 24 51-71	SCREW EHHM		6
11	542 20 42-04	COVER		1
12	725 24 47-71	SCREW EHHM		2
13	542 20 41-88	BLADE		1
14	725 23 68-71	SCREW EHHM		2
15	734 11 64-01	WASHER		2
16	542 20 40-64	FLAP		1
17	543 85 00-37	STICKER		1
18	542 20 41-98	TUBE		2
19	732 25 16-01	HEXAGON LOCKING NUT		2
20	725 23 68-71	SCREW EHHM		2
21	542 20 41-92	BLADE GUARD		1

Go to Discount-Equipment.com to order your parts

CONTROL CONSOLE - 20, 24 HP



CONTROL CONSOLE FS513/FS520/FS524, Valid to machines FS520-2149 and FS 524-1629, 2007-08 to 2011-02

Ref	Part No	Description	Remark	QTY KIT
40	581 49 13-01	CABLE KIT		1
1	542 19 06-38	DECAL		1
2	724 13 29-51	SCREW CRPANM		8
3	721 61 43-01	PIN		1
4	542 20 41-13	SPRING		1
5	586 46 90-01	CONSOLE		1
6	542 19 07-33	DECAL		1
7	734 11 52-01	WASHER		1
8	541 20 82-79	BOLT		1
9	542 20 21-63	WHEEL		1
10	732 25 18-71	HEXAGON LOCKING NUT		1
11	542 19 05-89	DECAL		1
12	542 20 21-64	BRACKET		1
13	504 20 56-01	THROTTLE CABLE		1
14	539 30 05-56	HOUR METER		1
15	735 11 36-01	SPRING WASHER 4.1X7.1		2
16	725 22 91-71	SCREW EHHM		2
17	734 11 63-01	WASHER		4
18	735 11 64-01	SPRING WASHER		4
19	725 24 57-71	SCREW EHHM		4
20	542 17 79-20	KEY SWITCH		1
21	542 18 22-50	WIRE		1
22	542 18 22-74	WIRING HARNESS		1
23	542 20 41-86	HANDLEBAR		1
24	542 13 95-68	GRIP		2
25	542 20 40-52	SWITCH		1
26	504 06 80-04	BRACKET		1
27	502 24 01-03	DECAL		1
28	542 19 06-38	DECAL		1
29	502 24 01-03	DECAL		1
30	542 19 05-89	DECAL		1
31	542 19 07-33	DECAL		1
32	542 16 67-08	RELAY		1
33	502 85 62-05	BRACKET		1
34	582 10 15-01	STOP SWITCH		1
35	542 20 41-09	LOCKING PIN		1
36	542 20 21-69	CAP		1
37	725 23 70-71	SCREW EHHM		4
38	735 11 53-01	WASHER		4
39	734 11 52-01	WASHER		4
41	542 20 23-30	CABLE ASSY		2

Go to Discount-Equipment.com to order your parts

# PARTS FINDER

**Search Website  
by Part Number**



**Search Manual  
Library For Parts  
Manual & Lookup Part  
Numbers – Purchase  
or Request Quote**

**Search Manuals**

Enter your information to help us find the right parts manual for your machine.

\* Brand:

\* Model:

\* Serial:

\* Part Number:

SEARCH

**Can't Find Part or  
Manual? Request Help  
by Manufacturer,  
Model & Description**

**Parts Order Form**

Please fill in the following information to help us find the right part for your machine.

Manufacturer:	<input type="text"/>
Model:	<input type="text"/>
Description:	<input type="text"/>
Part Number:	<input type="text"/>
Quantity:	<input type="text"/>
Notes:	<input type="text"/>
Submit:	<input type="button" value="Submit"/>

Discount-Equipment.com is your online resource for quality parts & equipment.

Florida: **561-964-4949** Outside Florida TOLL FREE: **877-690-3101**

**Need parts?**

Click on this link: <http://www.discount-equipment.com/category/5443-parts/> and choose one of the options to help get the right parts and equipment you are looking for. Please have the machine model and serial number available in order to help us get you the correct parts. If you don't find the part on the website or on one of the online manuals, please fill out the request form and one of our experienced staff members will get back to you with a quote for the right part that your machine needs.

We sell worldwide for the brands: Genie, Terex, JLG, MultiQuip, Mikasa, Essick, Whiteman, Mayco, Toro Stone, Diamond Products, Generac Magnum, Airman, Haulotte, Barreto, Power Blanket, Nifty Lift, Atlas Copco, Chicago Pneumatic, Allmand, Miller Curber, Skyjack, Lull, Skytrak, Tsurumi, Husquvarna Target, Stow, Wacker, Sakai, Mi-T-M, Sullair, Basic, Dynapac, MBW, Weber, Bartell, Bennar Newman, Haulotte, Ditch Runner, Menegotti, Morrison, Contec, Buddy, Crown, Edco, Wyco, Bomag, Laymor, EZ Trench, Bil-Jax, F.S. Curtis, Gehl Pavers, Heli, Honda, ICS/PowerGrit, IHI, Partner, Imer, Clipper, MMD, Koshin, Rice, CH&E, General Equipment, Amida, Coleman, NAC, Gradall, Square Shooter, Kent, Stanley, Tamco, Toku, Hatz, Kohler, Robin, Wisconsin, Northrock, Oztec, Toker TK, Rol-Air, APT, Wylie, Ingersoll Rand / Doosan, Innovatech, Con X, Ammann, Mecalac, Makinex, Smith Surface Prep, Small Line, Wanco, Yanmar