



SPARE PARTS LIST

SURFACE PREPARATION EQUIPMENT

PG 540, 2020-06



Go to Discount-Equipment.com to order your parts

PARTS FINDER

**Search Website
by Part Number**



**Search Manual
Library For Parts
Manual & Lookup Part
Numbers – Purchase
or Request Quote**

Search Manuals

Enter your information to help us find the right parts manual for your machine.

* Brand:

* Model:

* Serial:

* Part Number:

SEARCH

**Can't Find Part or
Manual? Request Help
by Manufacturer,
Model & Description**

Parts Order Form

Please fill in the following information to help us find the right part for your machine.

Manufacturer:	<input type="text"/>
Model:	<input type="text"/>
Description:	<input type="text"/>
Part Number:	<input type="text"/>
Quantity:	<input type="text"/>
Notes:	<input type="text"/>

Submit

Discount-Equipment.com is your online resource for quality parts & equipment.

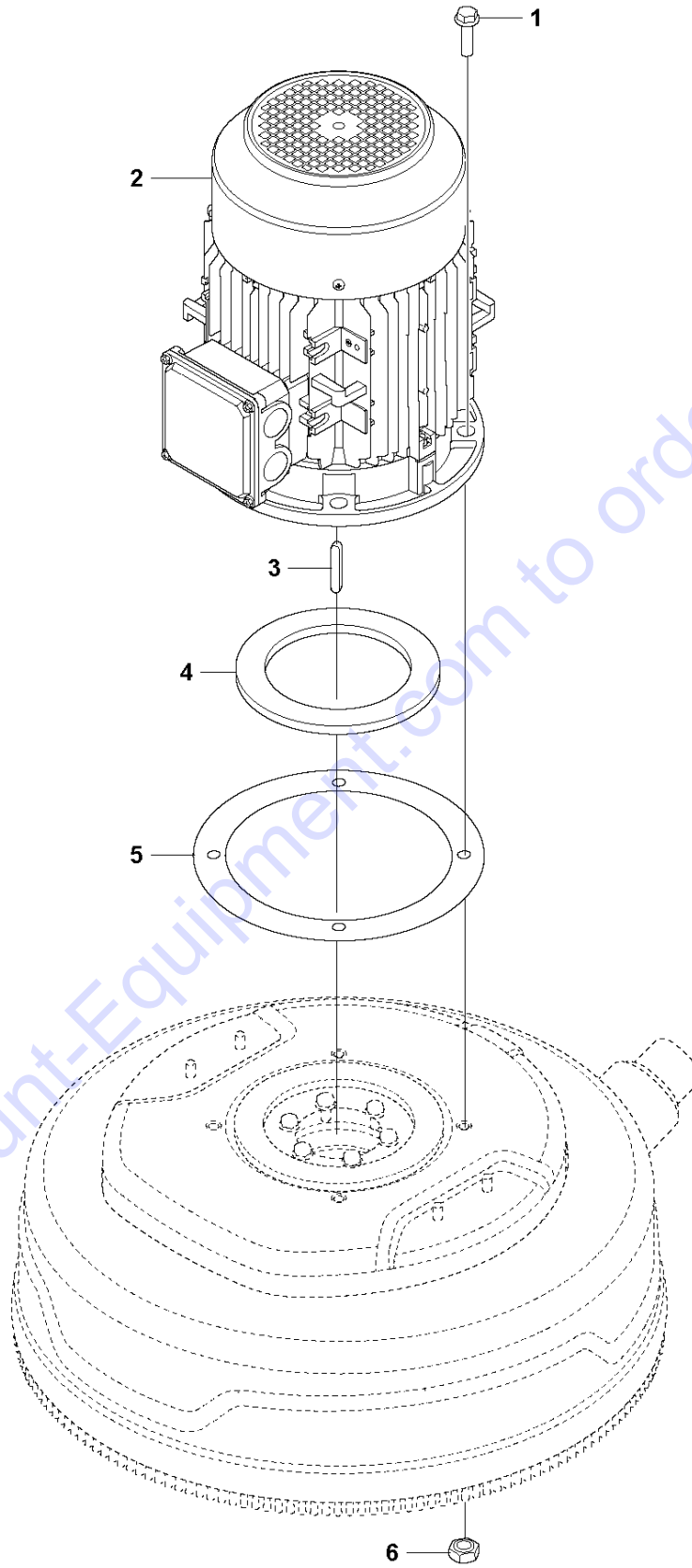
Florida: **561-964-4949** Outside Florida TOLL FREE: **877-690-3101**

Need parts?

Click on this link: <http://www.discount-equipment.com/category/5443-parts/> and choose one of the options to help get the right parts and equipment you are looking for. Please have the machine model and serial number available in order to help us get you the correct parts. If you don't find the part on the website or on one of the online manuals, please fill out the request form and one of our experienced staff members will get back to you with a quote for the right part that your machine needs.

We sell worldwide for the brands: Genie, Terex, JLG, MultiQuip, Mikasa, Essick, Whiteman, Mayco, Toro Stone, Diamond Products, Generac Magnum, Airman, Haulotte, Barreto, Power Blanket, Nifty Lift, Atlas Copco, Chicago Pneumatic, Allmand, Miller Curber, Skyjack, Lull, Skytrak, Tsurumi, Husquvarna Target, Stow, Wacker, Sakai, Mi-T-M, Sullair, Basic, Dynapac, MBW, Weber, Bartell, Bennar Newman, Haulotte, Ditch Runner, Menegotti, Morrison, Contec, Buddy, Crown, Edco, Wyco, Bomag, Laymor, EZ Trench, Bil-Jax, F.S. Curtis, Gehl Pavers, Heli, Honda, ICS/PowerGrit, IHI, Partner, Imer, Clipper, MMD, Koshin, Rice, CH&E, General Equipment, Amida, Coleman, NAC, Gradall, Square Shooter, Kent, Stanley, Tamco, Toku, Hatz, Kohler, Robin, Wisconsin, Northrock, Oztec, Toker TK, Rol-Air, APT, Wylie, Ingersoll Rand / Doosan, Innovatech, Con X, Ammann, Mecalac, Makinex, Smith Surface Prep, Small Line, Wanco, Yanmar

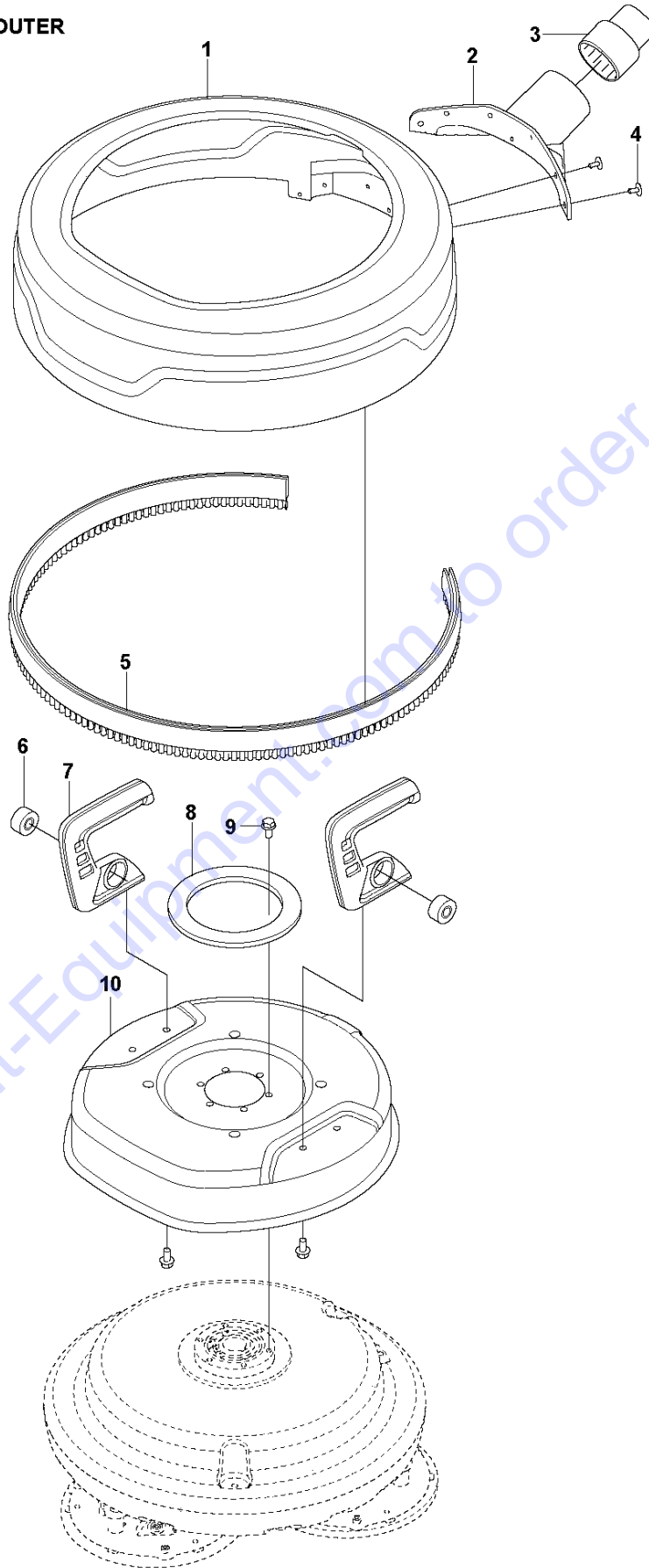
A PG 540
MOTOR



Ref	Part No	Description	Remark	QTY KIT
1	585 98 04-01	SCREW EHHFM	M10x30	4
2	595 74 79-01	MOTOR	1ph 2.2kW 50/60Hz	1
2	595 74 80-01	MOTOR	3ph 4kW 50/60Hz	1
3	593 45 37-01	WEDGE	8x7x50	1
4	595 72 34-01	MOTOR		1
5	595 76 54-03	SEAL		1
6	733 21 20-00	HEXAGON WELD NUT		4

Go to Discount-Equipment.com to order your parts

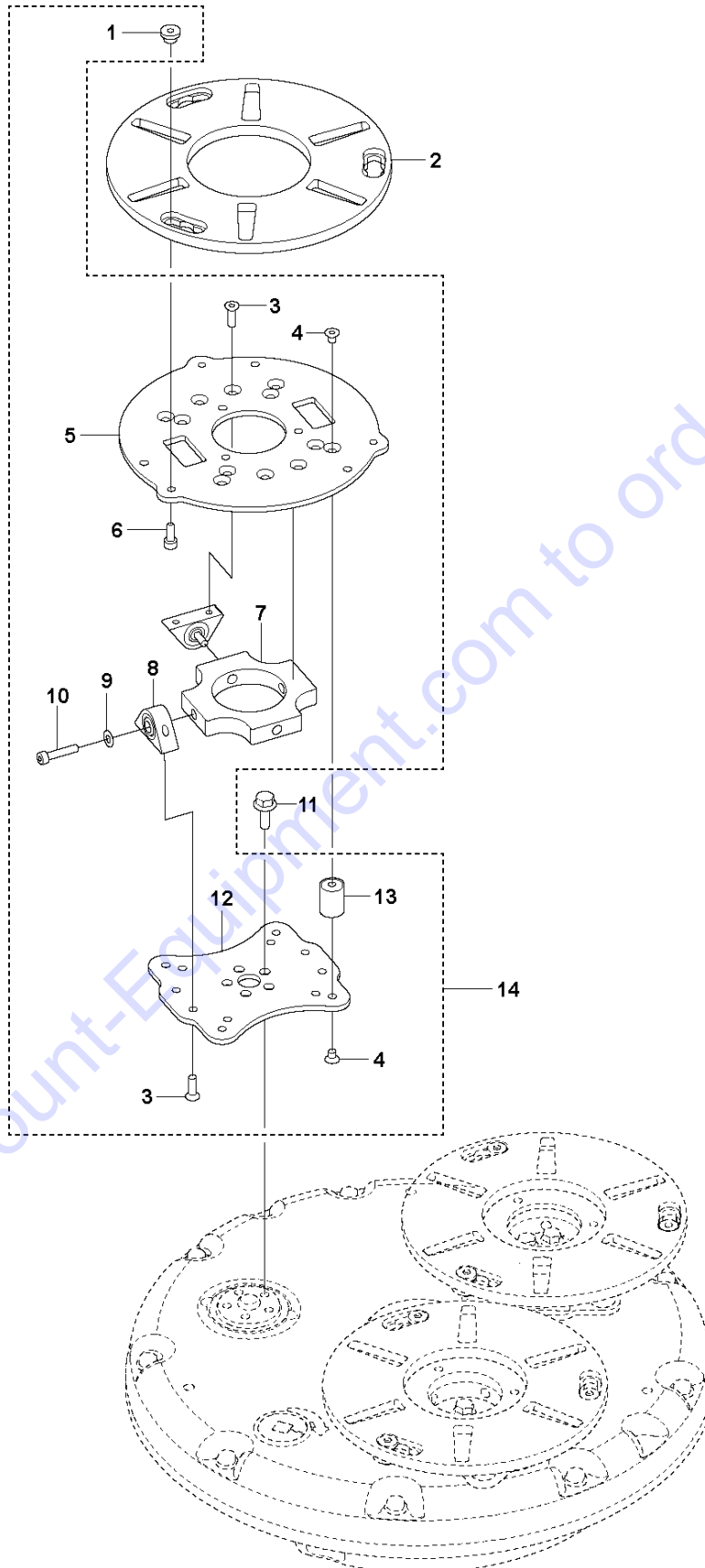
B PG 540
GRINDING HEAD, OUTER



Ref	Part No	Description	Remark	QTY KIT
1	597 66 25-01	DUST COVER		1
2	593 63 19-01	NOZZLE		1
3	593 63 19-01	NOZZLE		1
4	593 51 47-01	RIVET		7
5	595 65 86-01	BRUSH		1
6	596 64 55-01	BUSHING		2
7	597 74 41-01	HANDLE		2
8	595 72 34-01	MOTOR		1
9	593 96 40-01	SCREW		10
10	597 66 24-01	DUST COVER		1

Go to Discount-Equipment.com to order your parts

C PG 540
GRINDING HEAD, LOWER

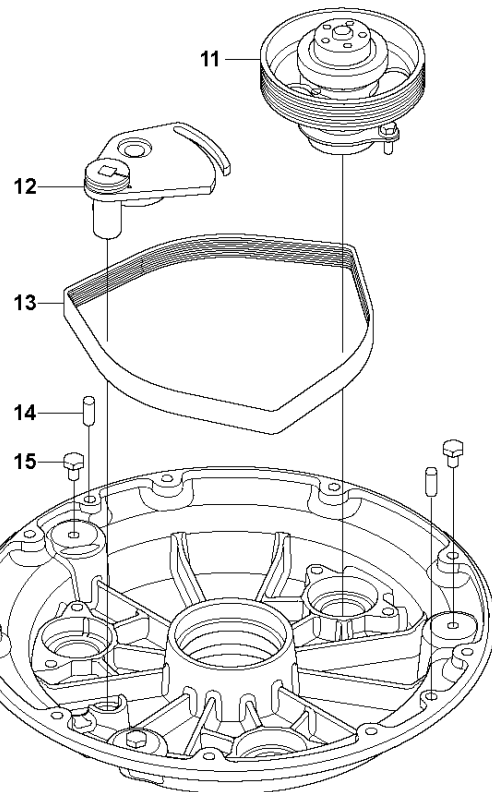
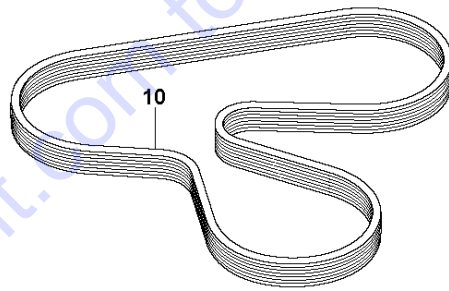
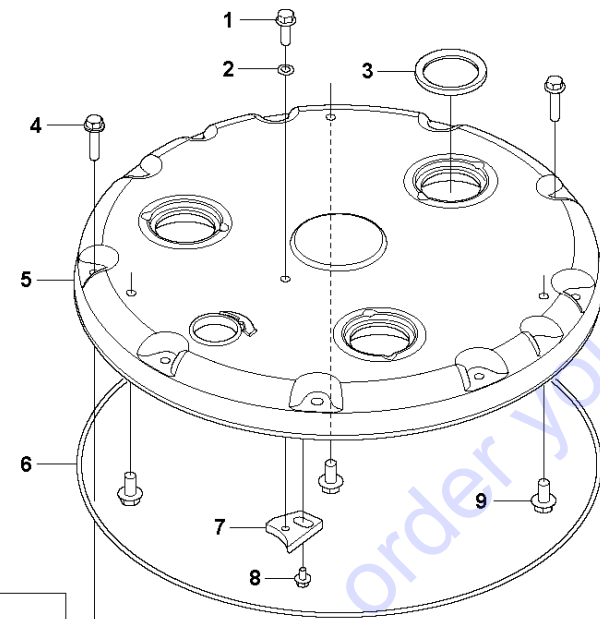
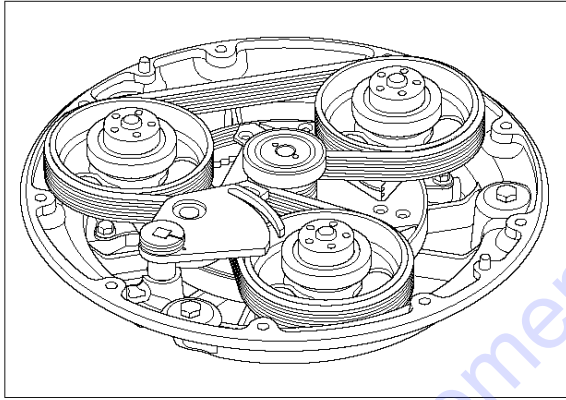


Go to Discount-Equipment.com to order your parts

Ref	Part No	Description	Remark	QTY	KIT
1	587 45 14-01	LOCK	Head lock	3	14
2	502 54 58-01	HOLDER	Tool Holder Disc Redi Lock 3		
3	593 50 51-01	SCREW	M6x20 10.9	8	14
4	593 50 12-01	SCREW	M6x9	4	14
5	597 55 07-01	HOLDER	Grinder holder plate	1	14
6	725 53 68-56	SCREW IHSCM	M6x16 12.9 Pre-Lock	3	14
7	593 53 62-01	COUPLING	Cardan Connection	1	14
8	593 61 65-01	BUSHING	Ear cardan	4	14
9	593 49 91-01	WASHER	Washer M10	4	14
10	593 68 11-01	BOLT	M10X35	4	14
11	506 57 01-04	SCREW EHHFM	M8x20	5	
12	597 55 06-01	HOLDER	Upper Holder Plate	1	14
13	593 43 88-01	ABSORBER	20x25 M6	4	14
14	597 81 97-01	HOLDER ASSY	PG540 with head locks	3	

Go to Discount-Equipment.com to order your parts

D PG 540
GRINDING HEAD INTERNAL

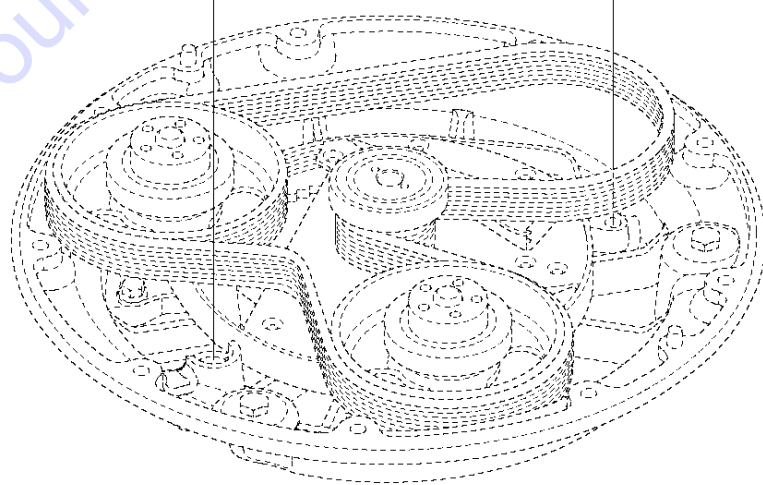
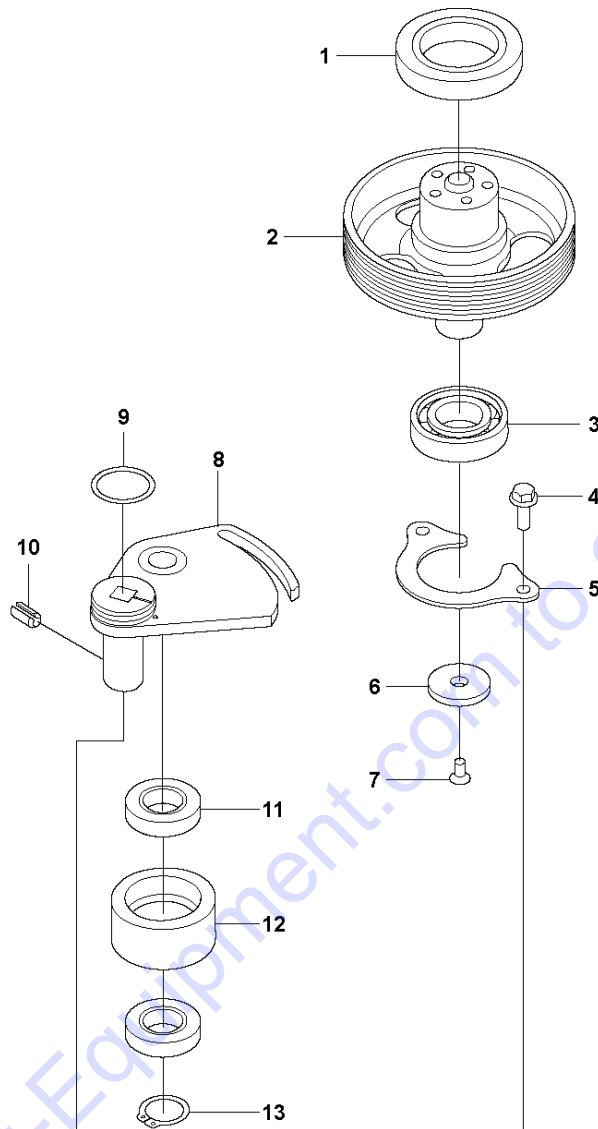


Go to Discount-Equipment.com to order your parts

Ref	Part No	Description	Remark	QTY KIT
1	506 57 01-05	SCREW EHHFM	M8X25	1
2	595 68 33-01	WASHER	8,4x16x1,6 - Copper	1
3	595 66 67-01	SHAFT	50x64x6	3
4	595 68 10-01	SCREW	M8x35	9
5	595 76 22-02	HOUSING	Bottom 540/T5/510	1
6	595 66 70-01	O-RING	O-Ring 540/T5/510	1
7	595 76 33-01	TENSIONER	Locking plate	1
8	595 68 34-01	SCREW	M6SF M6X10 8.8 DIN 6921	1
9	593 51 48-01	SCREW	M6SF M10x20 DRI SEAL	3
10	595 66 55-01	BELT	Primary Belt 540/T5/510	1
11	595 71 60-01	SHAFT	Complete Pulley 540/T5/510	3
12	595 71 58-01	TENSIONER	Belt Tensioner 540/T5/510	1
13	595 66 56-01	BELT	Secondary Belt 540/T5/510	1
14	595 68 32-01	PIN	10x26	2
15	595 68 09-01	SCREW	M10X12	3
16	595 76 23-02	HOUSING	Upper 540/T5/510	1

Go to Discount-Equipment.com to order your parts

E PG 540
IDLER PULLEY ASSY



Go to Discount-Equipment.com to order your parts

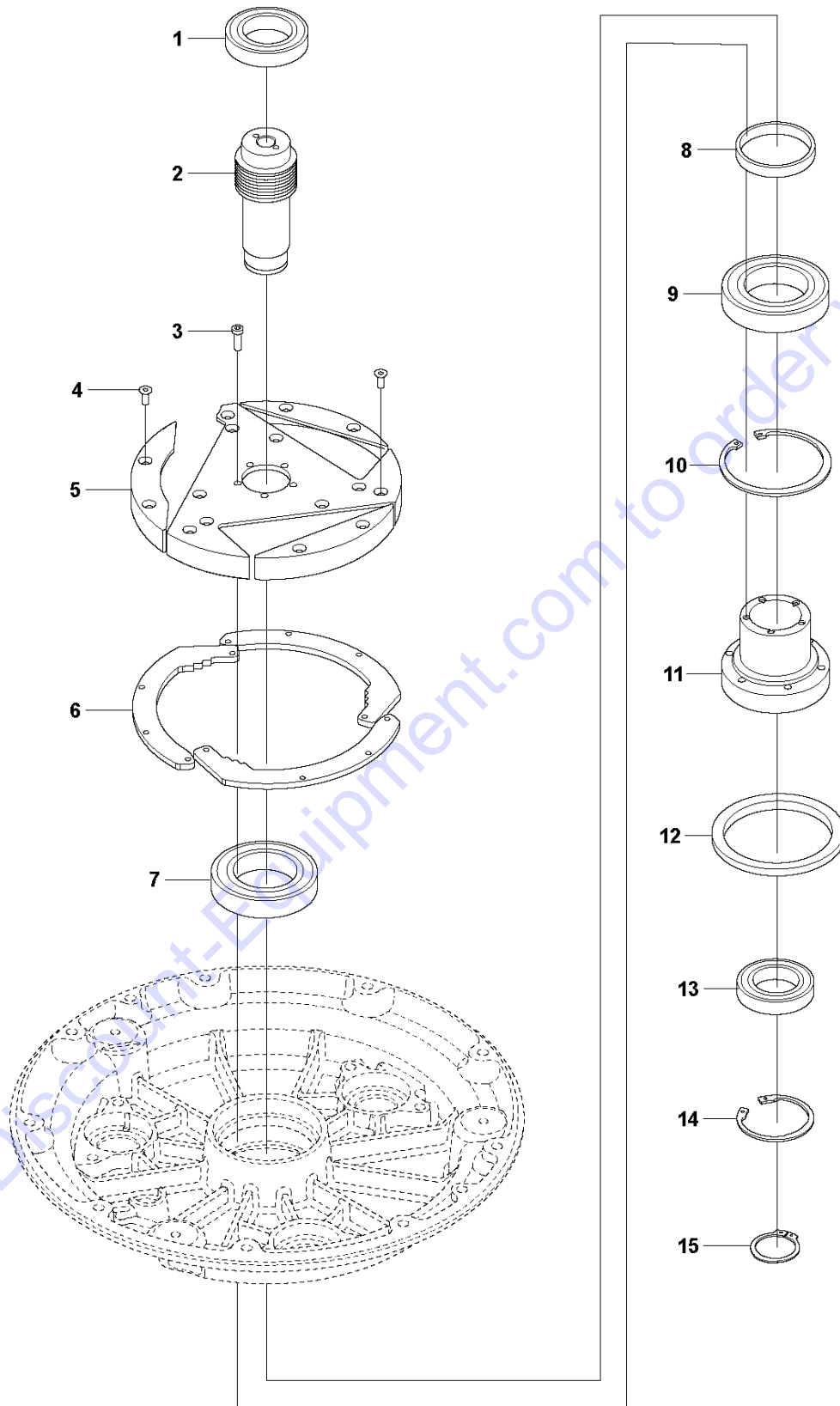
IDLER PULLEY ASSY

PG 540, 2020-06

Ref	Part No	Description	Remark	QTY KIT
1	595 66 64-01	BALL	6010	3
2	595 76 24-02	SHAFT	540/T5/510	3
3	595 66 65-01	BALL	6206	3
4	506 57 01-04	SCREW EHHFM	M8x20	6
5	595 76 32-01	WASHER	540/T5/510	3
6	595 71 59-01	WASHER	Washer T5	3
7	598 92 13-01	SCREW	M8x16	3
9	593 48 78-01	O-RING	34.2x3	1
8	595 71 58-01	TENSIONER	540/T5/510	1
10	595 68 11-01	SPRING	10x20	1
11	595 66 66-01	BALL	6005-2Z C3	1
12	595 76 26-01	PULLEY	540/T5/510	1
13	593 49 68-01	CIRCLIP	25X1.2, External	1

Go to Discount-Equipment.com to order your parts

F PG 540
CENTER HUB ASSY



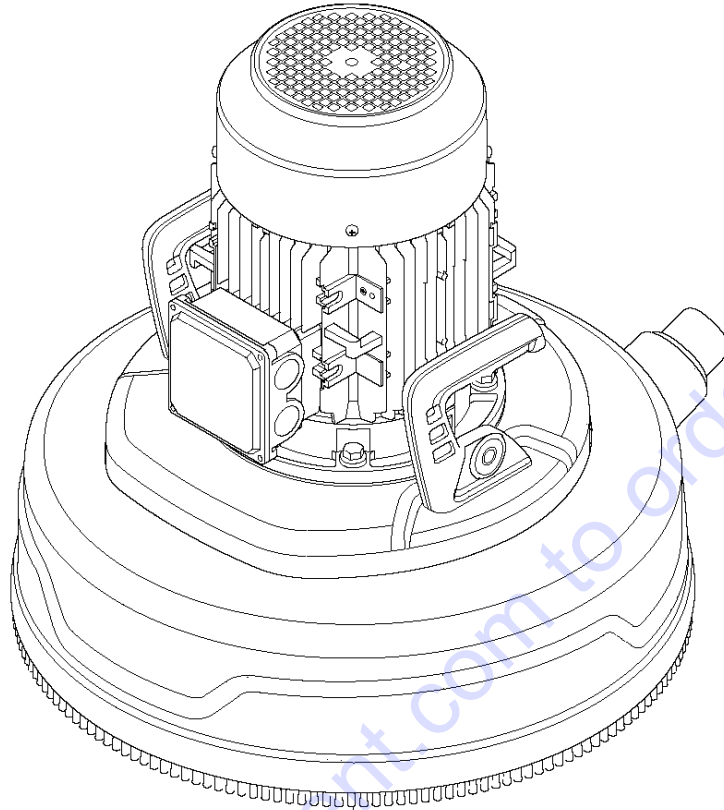
Go to Discount-Equipment.com to order your parts

Ref	Part No	Description	Remark	QTY KIT
1	595 66 62-01	BALL	6009-2Z C3	1
2	595 76 31-02	PULLEY	T5/510	1
3	593 51 42-01	SCREW	M6x20	5
4	593 50 96-01	SCREW	M6x12	12
5	595 76 27-01	PULLEY	T5/510	1
6	596 64 57-01	PLATE	T5/510	3
7	595 66 61-01	BALL	6013-2RS	2
8	595 71 31-01	SPACER	T5/510	1
9	595 66 61-01	BALL	6013-2RS	2
10	593 50 30-01	CIRCLIP	100x3, internal	1
11	595762801	TBD	T5/510	1
12	595 66 68-01	SHAFT	T5/510	1
13	595 66 63-01	BALL	6008-2Z C3	1
14	593 49 86-01	CIRCLIP	40x1.75, external	1
15	593 51 32-01	CIRCLIP	68x2.5, internal	1

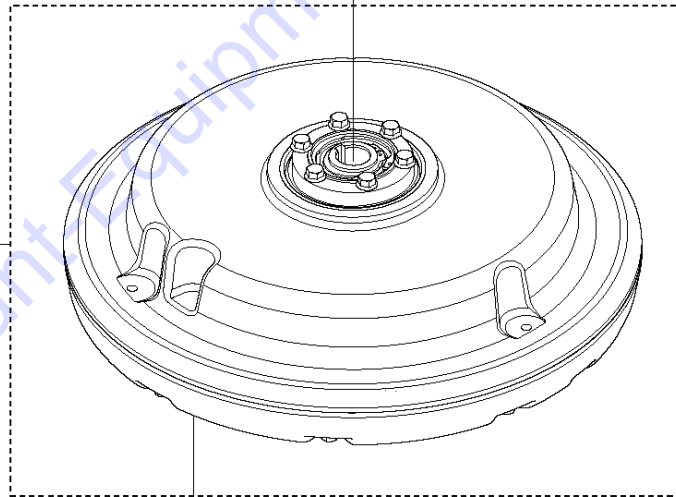
Go to Discount-Equipment.com to order your parts

G PG 540
GRINDING HEAD

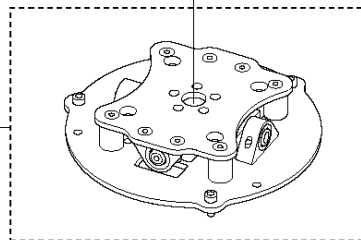
1



2



3

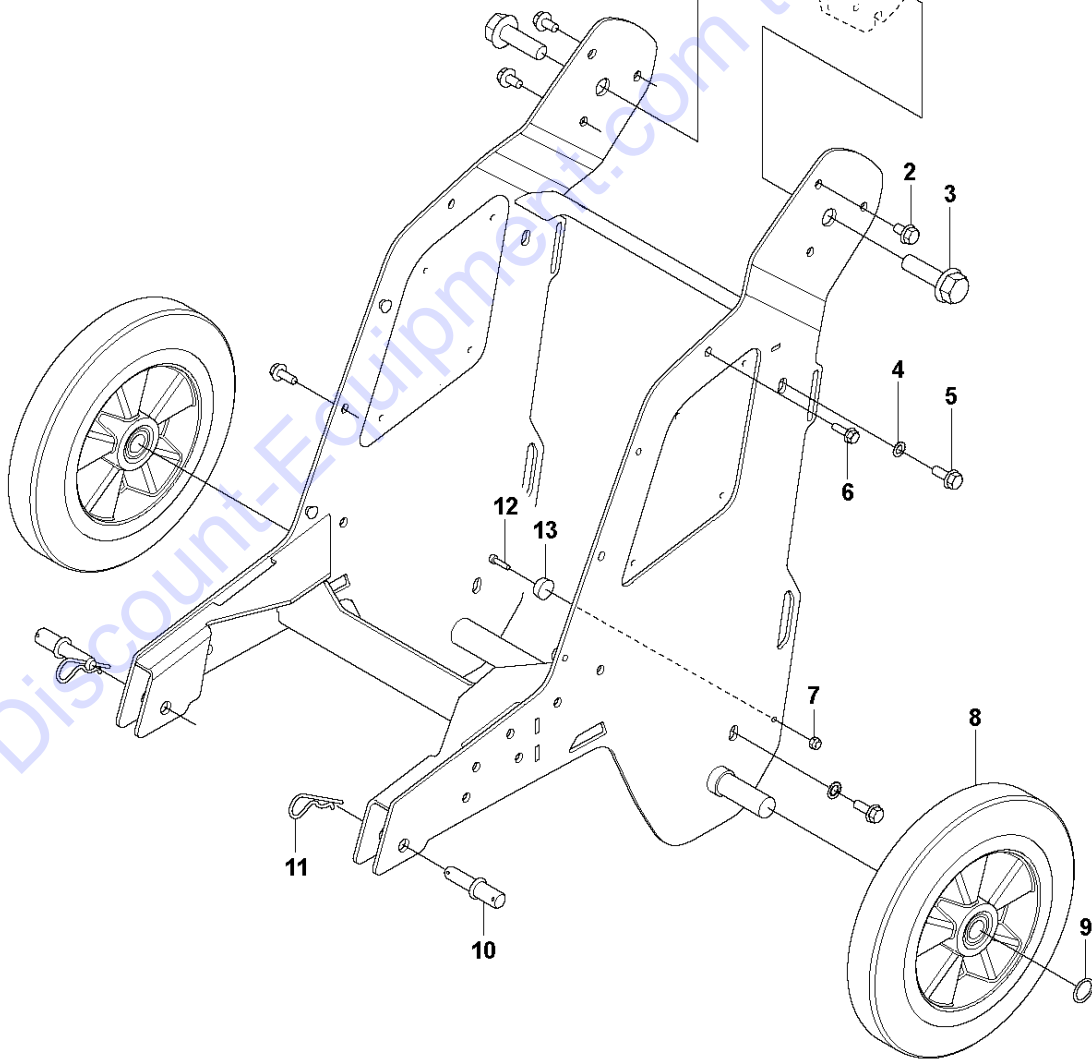
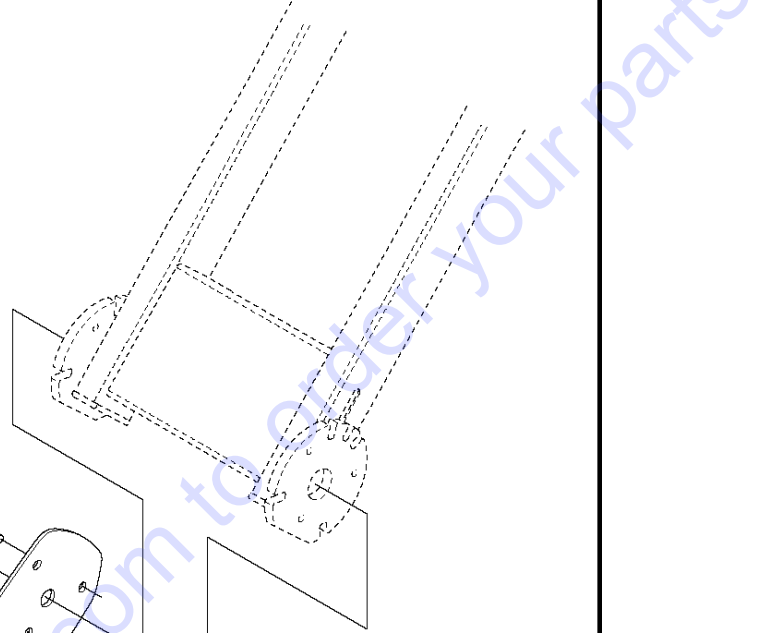
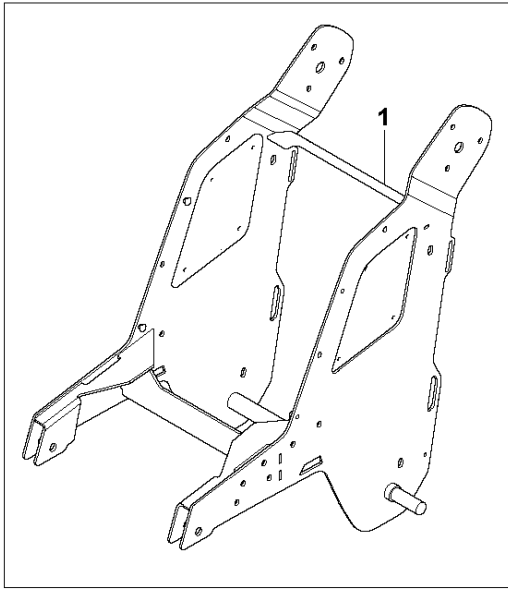


Go to Discount Equipment.com to order your parts

Ref	Part No	Description	Remark	QTY KIT	
1	597 74 23-01	GRINDING HEAD	incl Motor, Shroud & Tool Holders	1	
2	595 72 28-01	GRINDING HEAD	excl Motor, Shroud & Tool Holders	1	1
3	597 81 97-01	HOLDER ASSY	CPL Tool Holder, Head Locks	3	1

Go to Discount-Equipment.com to order your parts

H PG 540
CHASSIS



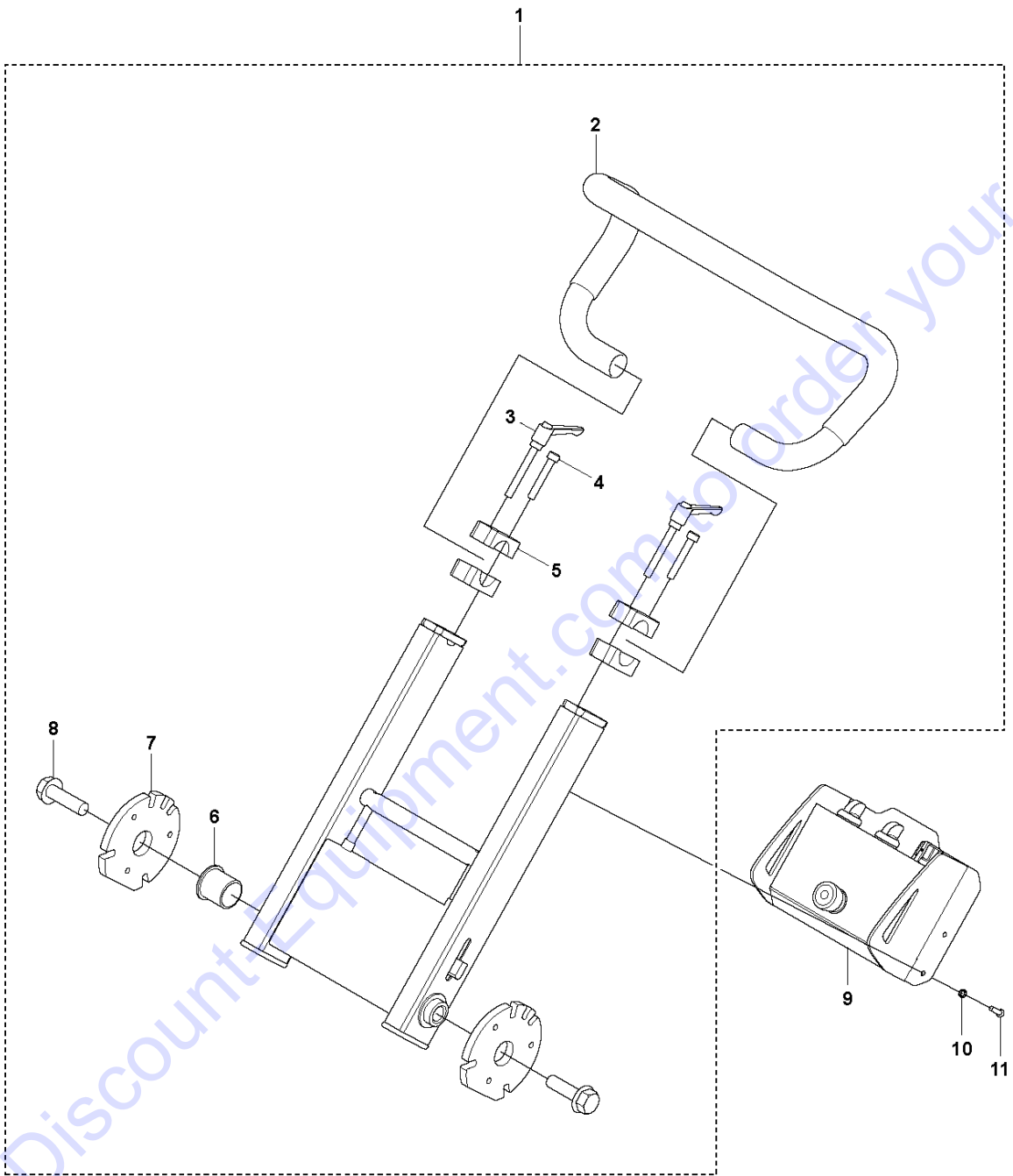
CHASSIS

PG 540, 2020-06

Ref	Part No	Description	Remark	QTY KIT
1	597 14 41-01	CHASSIS	Chassi weld assy	1
2	598 01 57-01	SCREW	M8x14 Pre-Lock	6
3	582 64 48-01	BOLT	M16x50	2
4	593 51 11-01	LOCKWASHER	Serrated	2
5	506 57 01-04	SCREW EHHFM	DIN 6921	2
6	586 12 02-01	SCREW EHHFM	M 6 X 20 8.8 ZPB	4
7	732 21 12-01	LOCK NUT	M4 Lock Nut	1
8	590 72 67-01	WHEEL	250mm	2
9	735 31 22-01	CIRCLIP	20x1.2, external	2
10	595 76 34-01	AXLE		2
11	721 68 02-51	SPRING COTTER		2
12	725 52 91-01	SCREW IHSCM	M4x12	1
13	516 05 96-01	BUMPER	Rubber Stop	1

Go to Discount-Equipment.com to order your parts

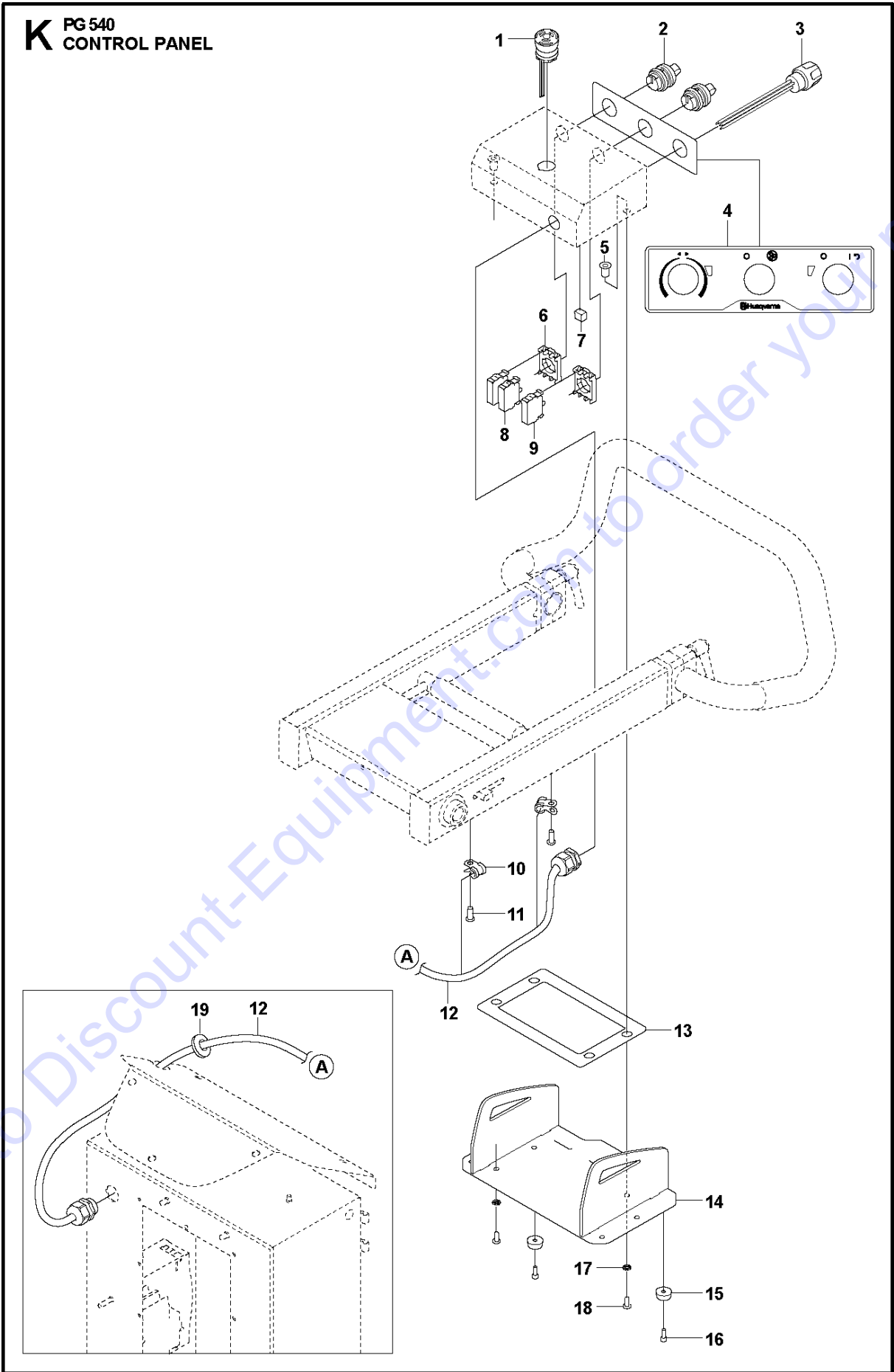
J PG 540
FRAME, UPPER



Ref	Part No	Description	Remark	QTY	KIT
1	597 91 98-01	HANDLEBAR ASSY	CPL	1	
2	597 13 44-01	HANDLEBAR	Grip	1	
3	597 68 54-01	ADJUSTMENT LEVER		2	2
4	725 54 61-01	SCREW IHSCM	M8x50	2	2
5	597 54 38-01	CLAMP		4	
6	593 48 62-01	BEARING	30x42x35, flanged	2	
7	597 92 03-01	ADJUSTMENT DISC		2	
8	582 64 48-01	BOLT	M16x50	2	
9	599 77 19-01	CONTROL PANEL	HMI Assy	1	
10	735 21 53-01	LOCKWASHER	6.4x11x0.7	4	
11	531 11 94-26	SCREW	M6x16x10.9	4	

Go to Discount-Equipment.com to order your parts

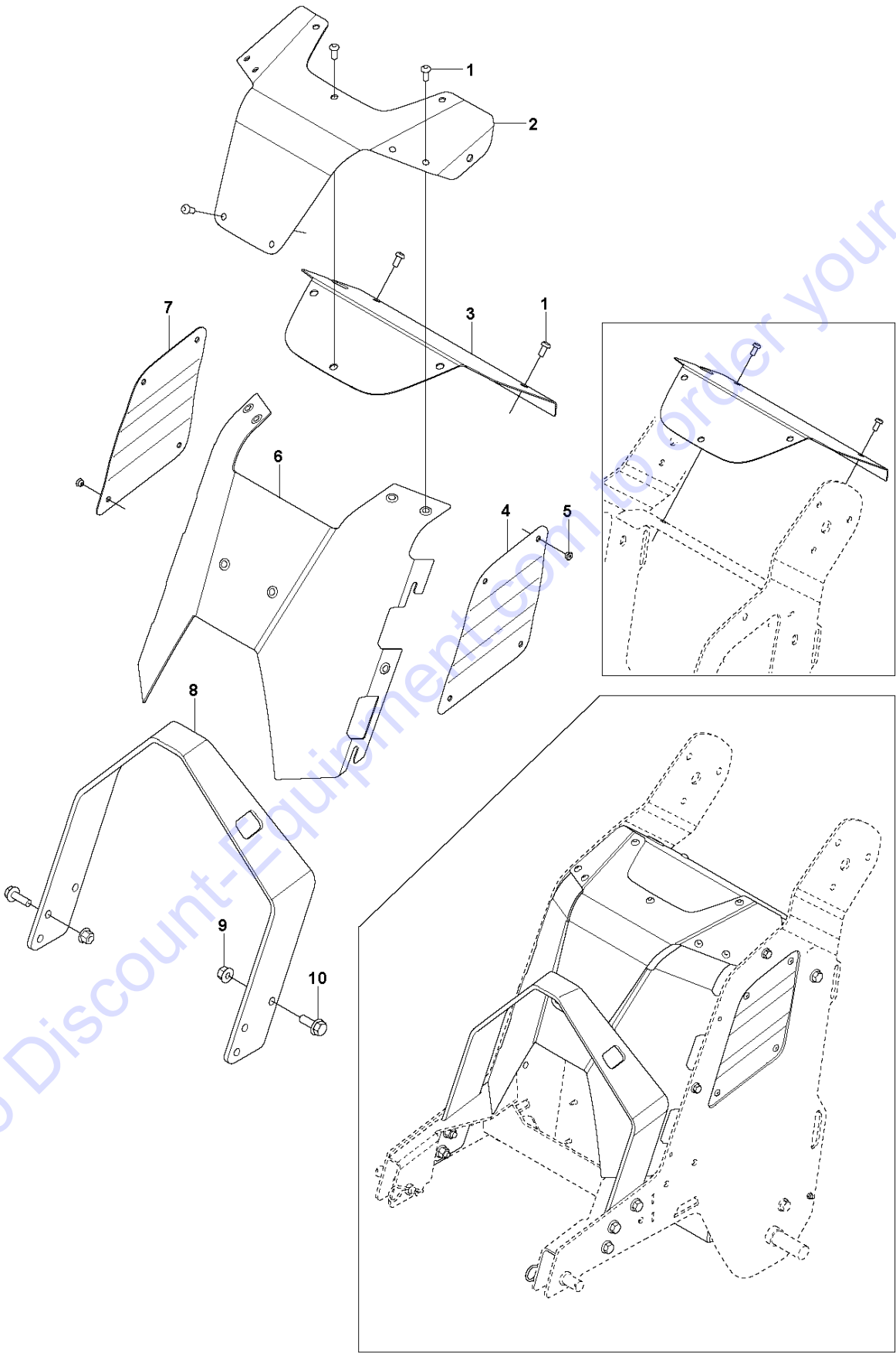
K PG 540
CONTROL PANEL



Ref	Part No	Description	Remark	QTY KIT
1	598 55 74-01	SWITCH		1
2	598 53 98-01	SWITCH		1
3	587 28 36-01	SWITCH		1
4	598 55 80-01	STICKER	HMI Decal	1
5	597 97 82-01	RIVET	M5 Rivet Nut	4
6	598 53 95-01	SWITCH	Switch Holder	2
7	598 74 58-01	REGULATOR	DC/DC converter	1
8	598 54 00-01	SWITCH		2
9	598 55 70-01	SWITCH		1
10	589 66 91-02	CLIP	P-clip	2
11	531 11 94-26	SCREW	M6x16 10.9	2
12	598 68 64-01	CABLE		1
13	598 42 95-01	GASKET	Gasket, HMI	1
14	597 66 23-01	BRACKET	Holder, HMI	1
15	516 05 96-01	BUMPER	Rubber Stop	1
16	725 52 91-56	SCREW IHSCM	M4x12	1
17	735 21 46-01	LOCKWASHER	5.3x10	4
18	593 50 91-01	SCREW	M5x12	4
19	598 55 79-01	FITTING	Rubber Seal	1

Go to Discount-Equipment.com to order your parts

L PG 540
FRAME, LOWER

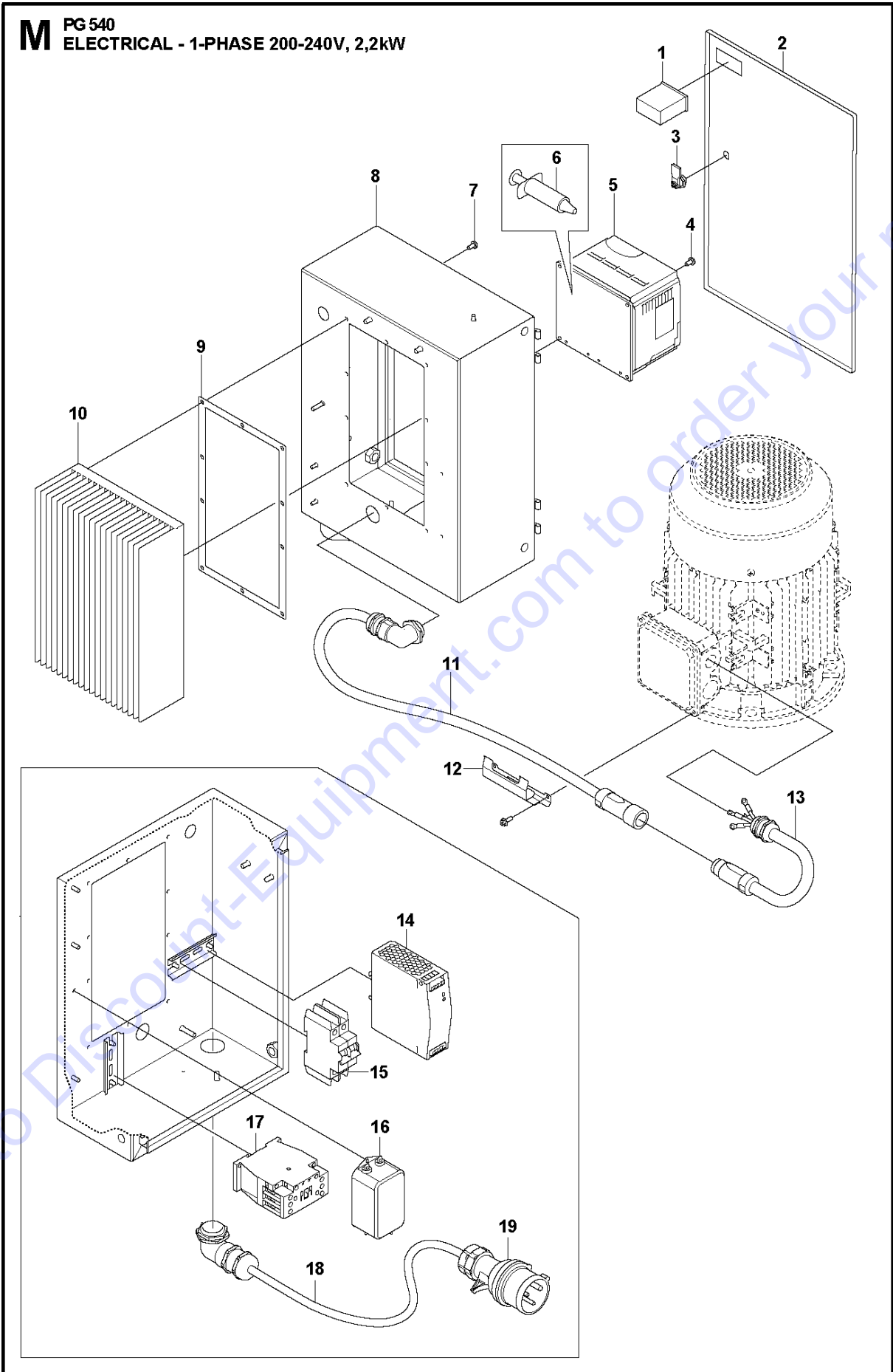


Go to Discount-Equipment.com to order your parts

Ref	Part No	Description	Remark	QTY KIT
1	531 11 94-26	SCREW	M6x16 10.9	9
2	597 14 43-01	COVER		1
3	597 14 44-01	COVER		1
4	597 20 96-02	COVER	Left	1
5	722 78 70-03	BLIND RIVET	4.8x11.2	8
6	597 14 42-01	FRONT COVER		1
7	597 20 96-01	COVER	Right	1
8	597 47 00-01	LIFTING ARM		1
9	576 64 57-04	NUT FLANGE	M8 Nylon Lock Nut	12
10	506 57 01-05	SCREW EHHFM	M8x25	7

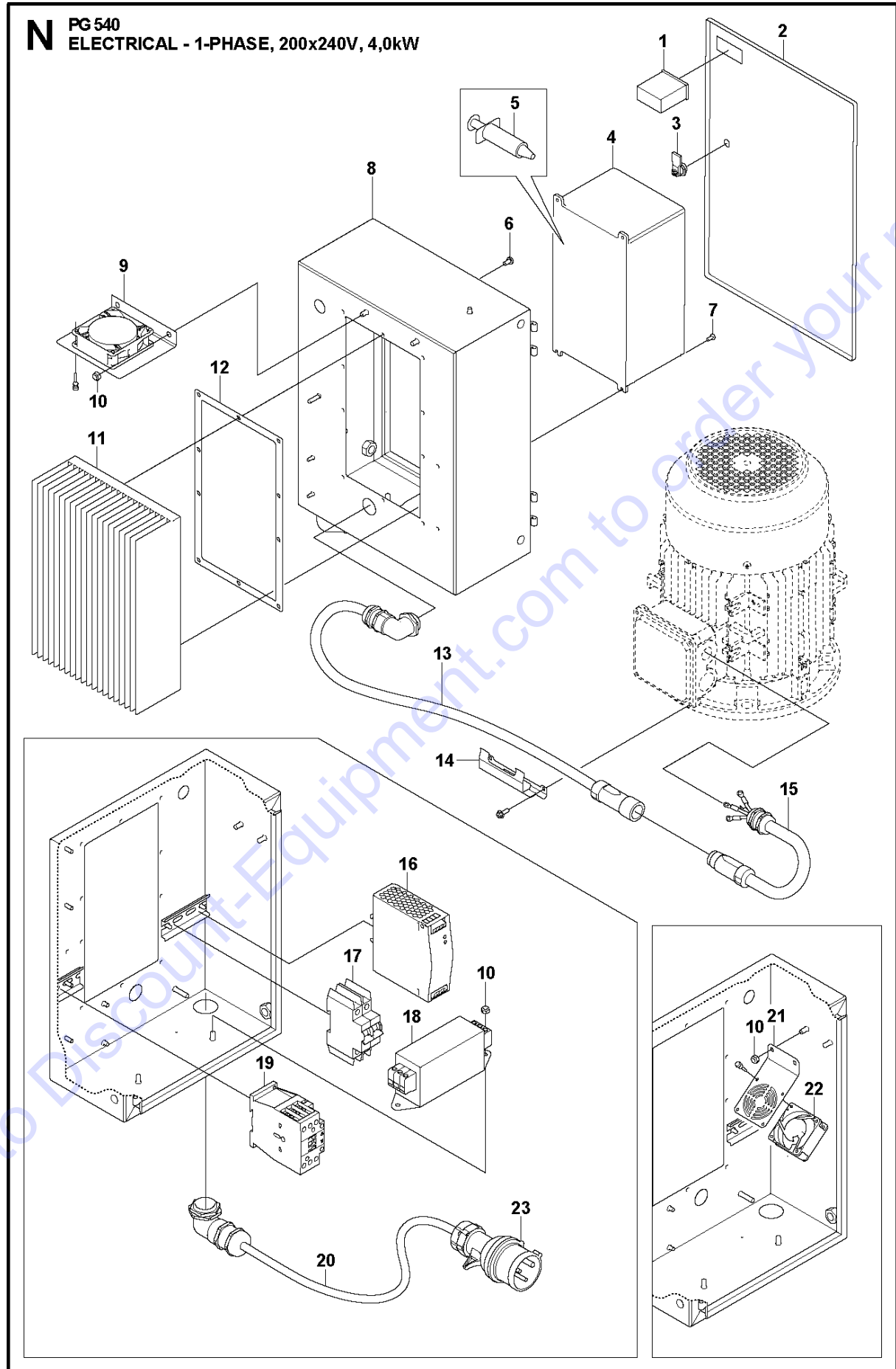
Go to Discount-Equipment.com to order your parts

M PG 540
ELECTRICAL - 1-PHASE 200-240V, 2,2kW



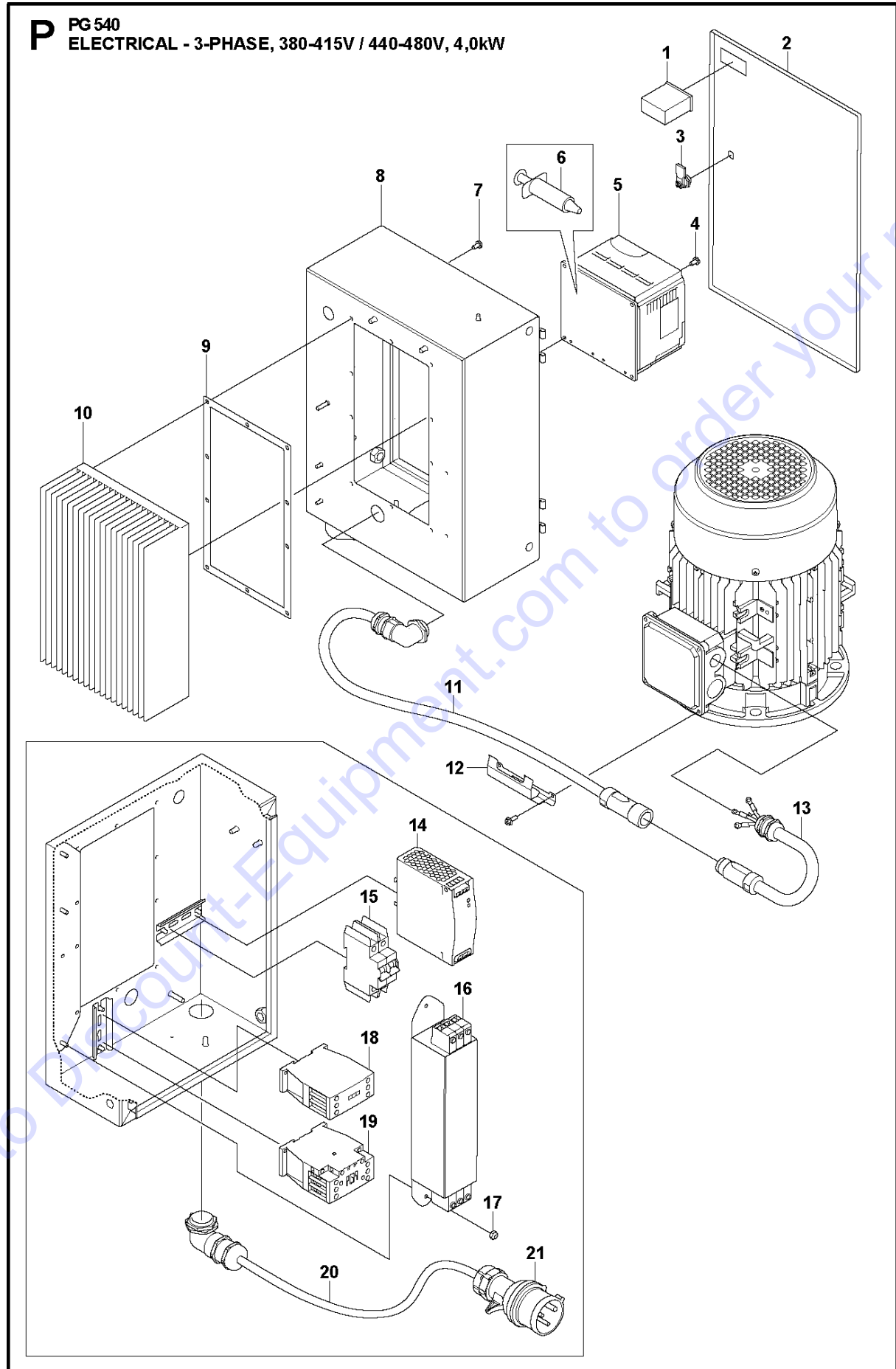
Ref	Part No	Description	Remark	QTY KIT
1	598 53 81-01	HOUR METER		1
2	599 66 93-01	DOOR	Door incl. Locks and hinges	1
3	599 66 96-01	LOCK ASSY		1
4	595 68 21-01	SCREW	M5x12	4
5	595 74 71-01	FREQUENCY INVERTER	1x200V 2,2kW	1
6	597 25 59-01	HEAT SINK		1
7	595 68 22-01	SCREW	M5x10	8
8	598 02 52-01	ELECTRONIC BOX	Cabinet Structure	1
9	597 63 53-01	HOUSING	Gasket Heatsink PG 540	1
10	595 76 50-01	HEAT SINK	2,2kW-4kW	1
11	595 73 10-01	CABLE	Motor Cable 16A Female	1
12	597 62 01-01	CLIP	Cable Clip	1
13	597 60 72-01	CABLE ASSY	Motor Cable 16A Male	1
14	595 74 74-01	POWER SUPPLY	24VDC 120W	1
15	593 56 01-01	CIRCUIT BREAKER	2-P 5A	1
16	595 74 76-01	FILTER	1x200V 16A	1
17	593 55 93-01	CONTACTOR	18A 24VDC	1
18	597 63 28-01	CABLE	Power cable 2,5mm ²	1
19	595 74 78-01	PLUG	1x200V 16A 3 PIN CEE	1
19	504 75 38-01	PLUG	1x200V 15A AUS Clipsal	1

Go to Discount-Equipment.com to order your parts



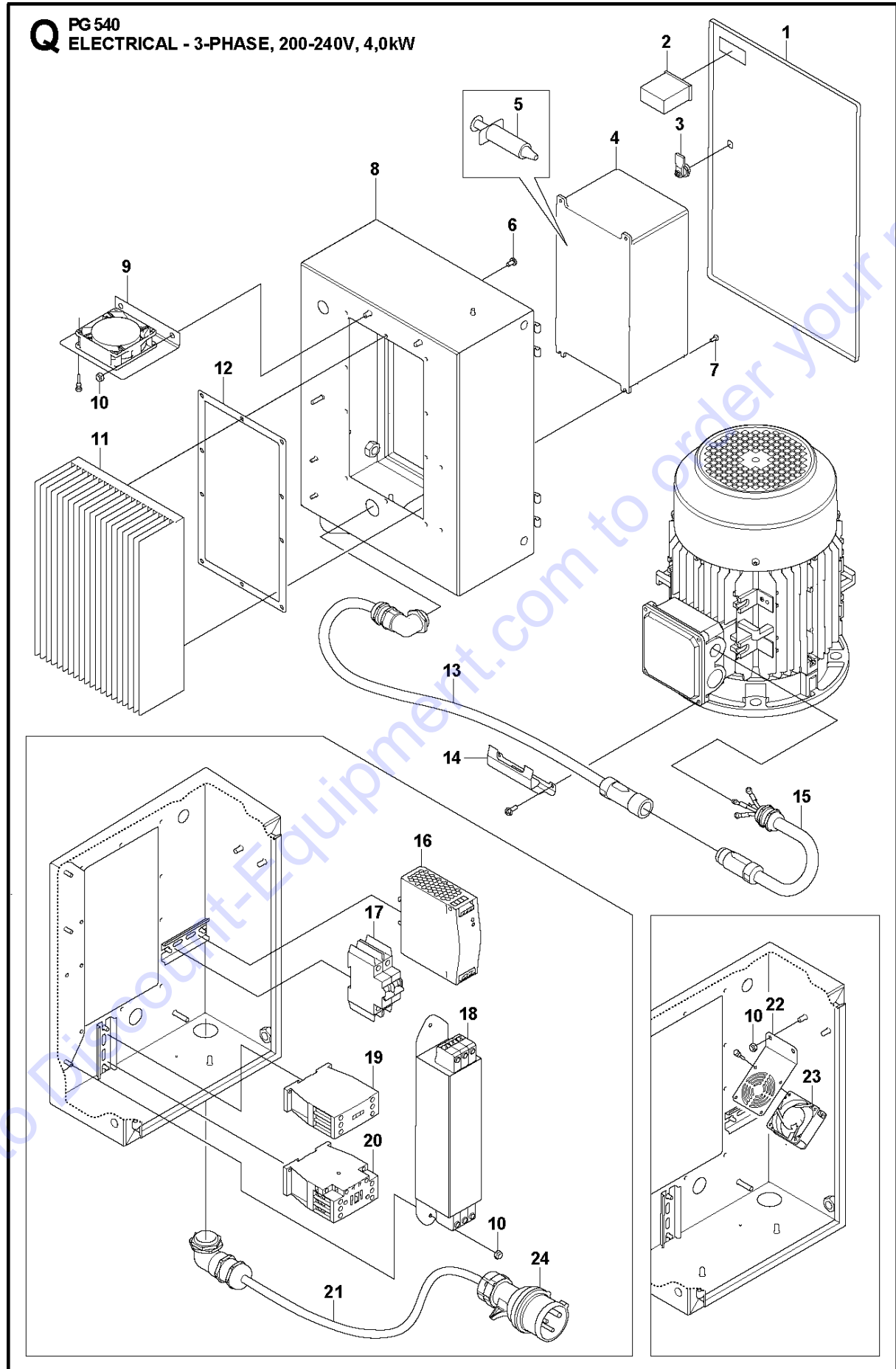
Ref	Part No	Description	Remark	QTY KIT
1	598 53 81-01	HOUR METER		1
2	599 66 93-01	DOOR	Door incl. Locks and hinges	1
3	599 66 96-01	LOCK ASSY		1
4	595 74 72-01	FREQUENCY INVERTER	1x200V 4kW	1
5	597 25 59-01	HEAT SINK		1
6	595 68 22-01	SCREW	M5x10	8
7	595 68 21-01	SCREW	M5x12	4
8	598 02 52-01	ELECTRONIC BOX	Cabinet Structure	1
9	595 73 07-01	FAN	24VDC, incl mount rubber. Heatsink	1
10	59350001	TBD	M6	6
11	595 76 50-01	HEAT SINK	2,2kW-4kW	1
12	597 63 53-01	HOUSING	Gasket Heatsink PG 540	1
13	595 73 10-01	CABLE	Motor Cable 16A Female	1
14	597 62 01-01	CLIP	Cable Clip	1
15	597 60 72-01	CABLE ASSY	Motor Cable 16A Male	1
16	595 74 74-01	POWER SUPPLY	24VDC 120W	1
17	593 56 01-01	CIRCUIT BREAKER	2-P 5A	1
18	593 55 99-01	FILTER	3x200-520V - 30A	1
19	593 55 93-01	CONTACTOR	18A 24VDC	1
20	597 63 28-01	CABLE	Power cable 2,5mm ²	1
21	595 71 08-01	MOUNT	Fan internal Cabinet	1
22	595 74 44-01	FAN	24VDC Internal Cabinet	1
23	598 44 84-01	PLUG	3x200-240V 20A Hubbel	1

Go to Discount-Equipment.com to order your parts



Ref	Part No	Description	Remark	QTY KIT
1	598 53 81-01	HOUR METER		1
2	599 66 93-01	DOOR	Door incl. Locks and hinges	1
3	599 66 96-01	LOCK ASSY		1
4	595 74 73-01	FREQUENCY INVERTER	3x400V 4kW	1
5	597 25 59-01	HEAT SINK		1
6	595 68 22-01	SCREW	M5x10	8
7	595 68 21-01	SCREW	M12x12	4
8	598 02 52-01	ELECTRONIC BOX	Cabinet Structure	1
9	597 63 53-01	HOUSING	Gasket heatsink PG 540	1
10	595 76 50-01	HEAT SINK	2,2kW-4kW	1
11	595 73 10-01	CABLE	Motor Cable 16A Female	1
12	597 62 01-01	CLIP	Cable Clip	1
13	597 60 72-01	CABLE ASSY	Motor Cable 16A Male	1
14	595 74 74-01	POWER SUPPLY	24VDC 120W	1
15	593 56 01-01	CIRCUIT BREAKER	2-P 5A	1
16	595 74 75-01	FILTER	EMC-filter 3x200-480V 16A	1
17	59350001	TBD	LOCK NUT M6	6
18	598 52 63-01	SENSOR	Phase/Voltage monitor	1
19	593 55 93-01	CONTACTOR	18A 24VDC	1
20	597 63 28-01	CABLE	Power cable 2,5mm ²	1
21	593 58 47-01	PLUG	3x380-415V 16A EU	1
21	502 54 40-01	PLUG	3x380-415V 32A AUS	1

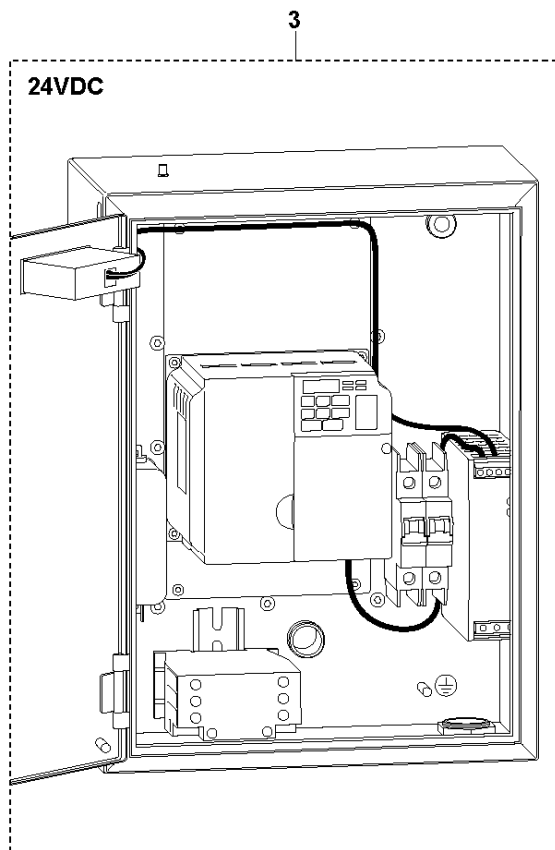
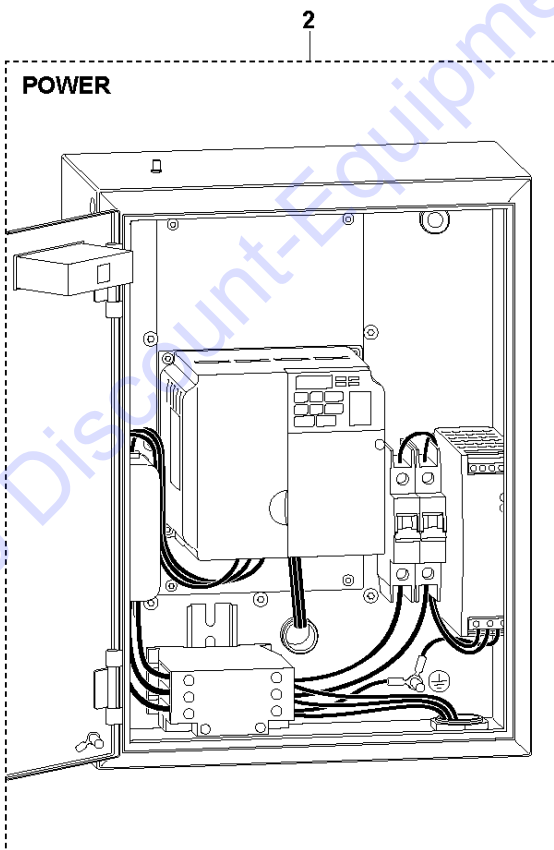
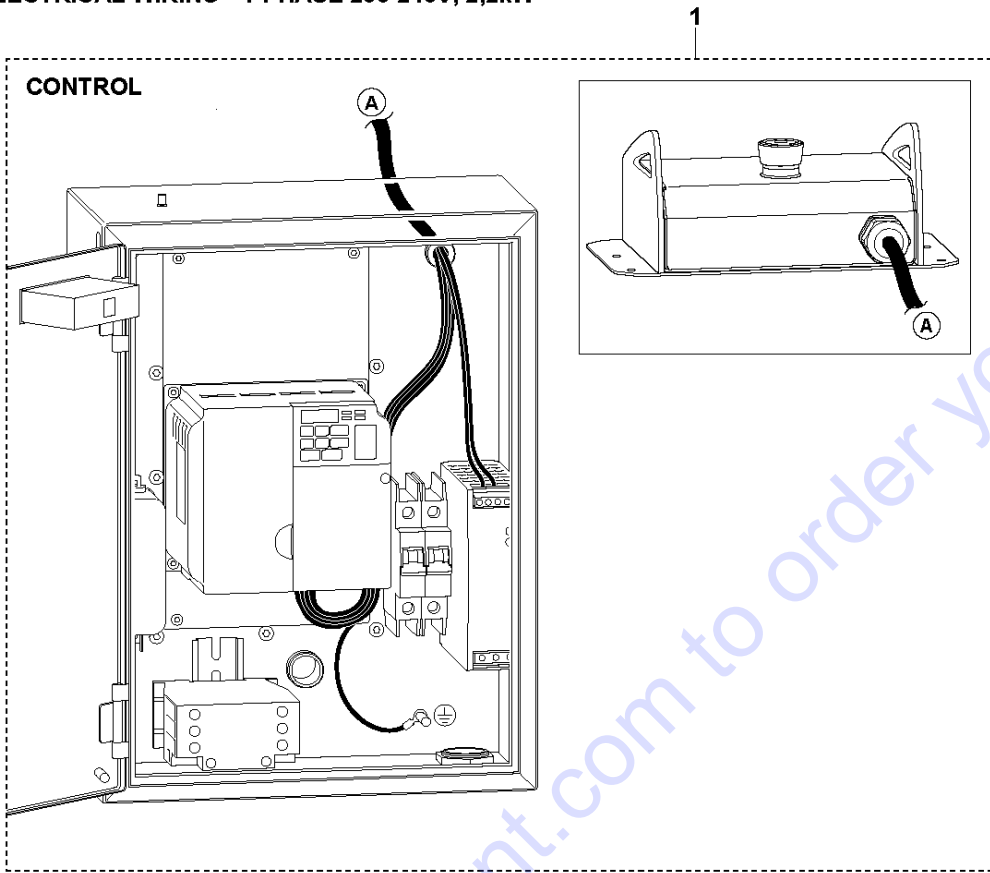
Go to Discount-Equipment.com to order your parts



Ref	Part No	Description	Remark	QTY KIT
2	598 53 81-01	HOUR METER		1
1	599 66 93-01	DOOR	Door incl. Locks and hinges	1
3	599 66 96-01	LOCK ASSY		1
4	598 43 56-01	ROTOR	3x200V 4kW	1
5	597 25 59-01	HEAT SINK		1
6	595 68 22-01	SCREW	M5x10	8
7	595 68 21-01	SCREW	M5x12	4
8	598 02 52-01	ELECTRONIC BOX	Cabinet Structure	1
9	595 73 07-01	FAN	24VDC, incl mount rubber. Heatsink	1
10	59350001	TBD	LOCK NUT M6	6
11	595 76 50-01	HEAT SINK	2,2kW-4kW	1
12	597 63 53-01	HOUSING	Gasket heatsink PG520	1
13	595 73 10-01	CABLE	Motor Cable 16A Female	1
14	597 62 01-01	CLIP	Cable Clip	1
15	597 60 72-01	CABLE ASSY	Motor Cable 16A Male	1
16	595 74 74-01	POWER SUPPLY	24VDC 120W	1
17	593 56 01-01	CIRCUIT BREAKER	2-P 5A	1
18	593 55 99-01	FILTER	3x200-520V - 30A	1
19	598 53 88-01	SENSOR	Phase/Voltage monitor 200-240V	1
20	593 55 93-01	CONTACTOR	18A 24VDC	1
21	597 63 28-01	CABLE	Power cable 2,5mm ²	1
22	595 71 08-01	MOUNT	Plate for 60mm fan	1
23	595 74 44-01	FAN	24VDC Internal Cabinet	1
24	598 44 84-01	PLUG	3x200-240V 20A Hubbel	1

Go to Discount-Equipment.com to order your parts

R PG 540
ELECTRICAL WIRING - 1-PHASE 200-240V, 2,2kW



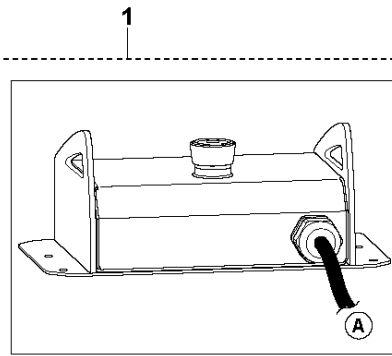
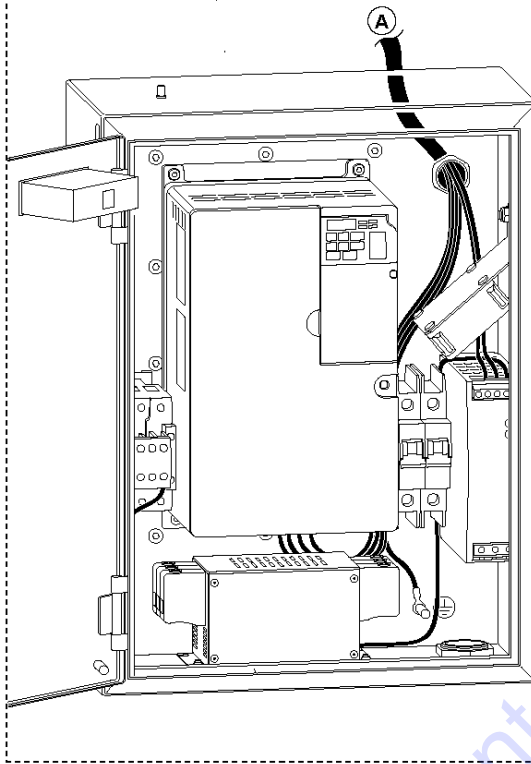
Go to Discount-Equipment.com to order your parts

Ref	Part No	Description	Remark	QTY KIT
1	599 77 16-01	CABLE KIT	Control - PG 540	1
2	599 77 07-01	CABLE KIT	Power - PG 540 - 1PH - 2,2KW	1
3	599 77 02-01	CABLE KIT	24VDC - PG 540 - 1PH - 2,2KW	1

Go to Discount-Equipment.com to order your parts

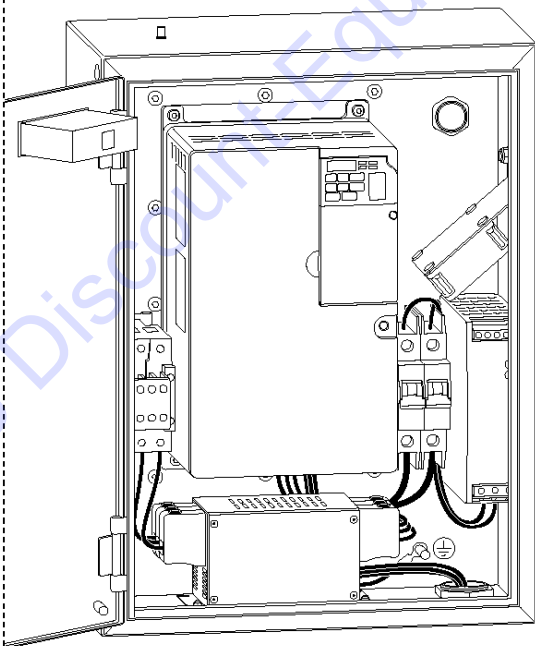
S PG 540
ELECTRICAL WIRING - 1-PHASE, 200-240V, 4,0kW

CONTROL



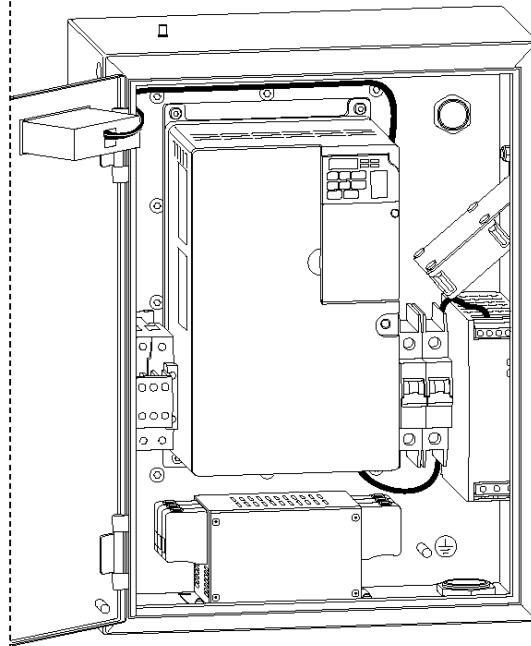
2

POWER



3

24VDC

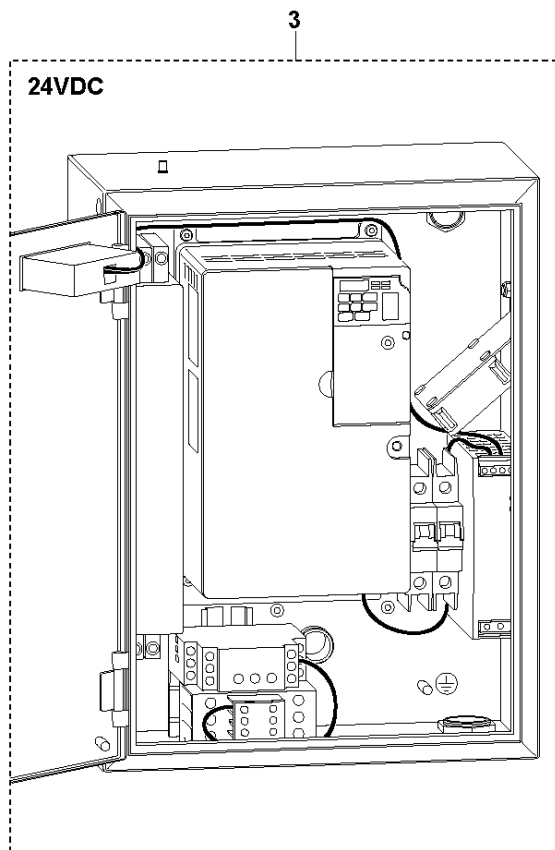
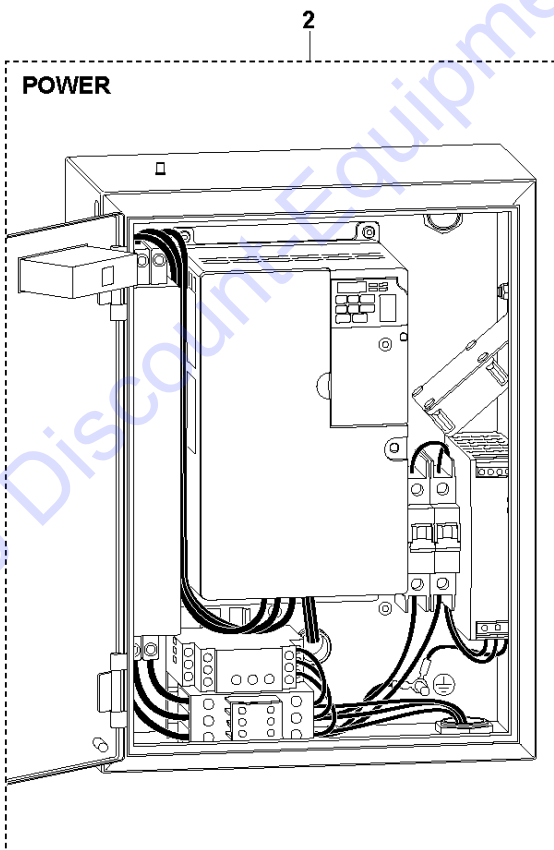
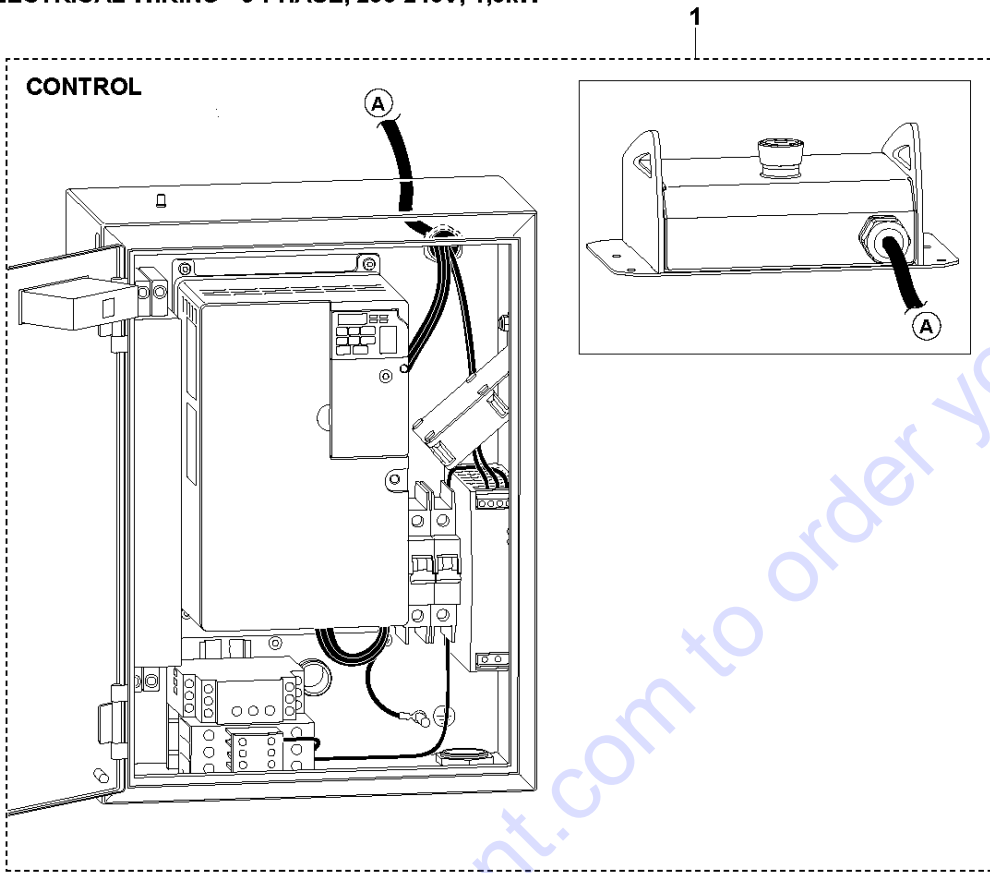


Go to DiscountEquipment.com to order your parts

Ref	Part No	Description	Remark	QTY KIT
1	599 77 16-01	CABLE KIT	Control - PG 540	1
2	599 77 08-01	CABLE KIT	Power - PG 540 - 1PH - 4,0KW	1
3	599 77 03-01	CABLE KIT	24VDC - PG 540 - 1PH - 4,0KW	1

Go to Discount-Equipment.com to order your parts

T PG 540
ELECTRICAL WIRING - 3-PHASE, 200-240V, 4,0kW

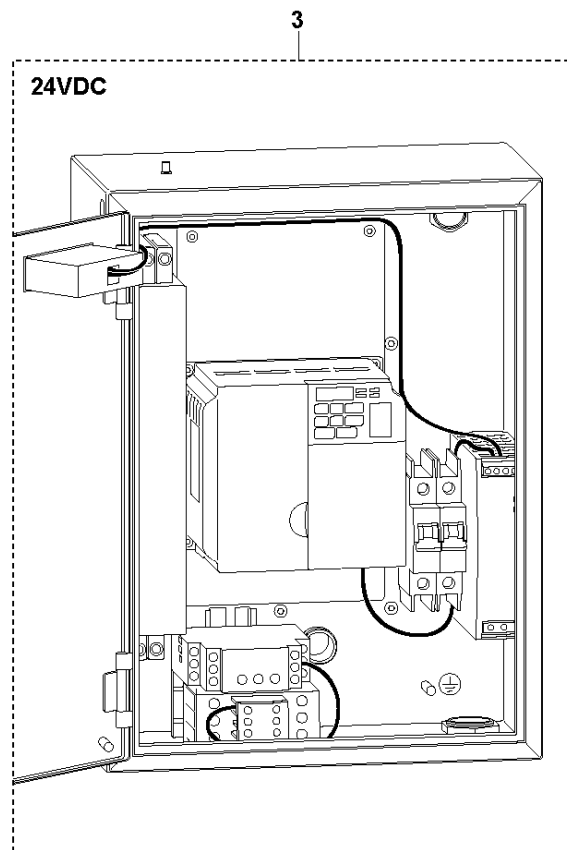
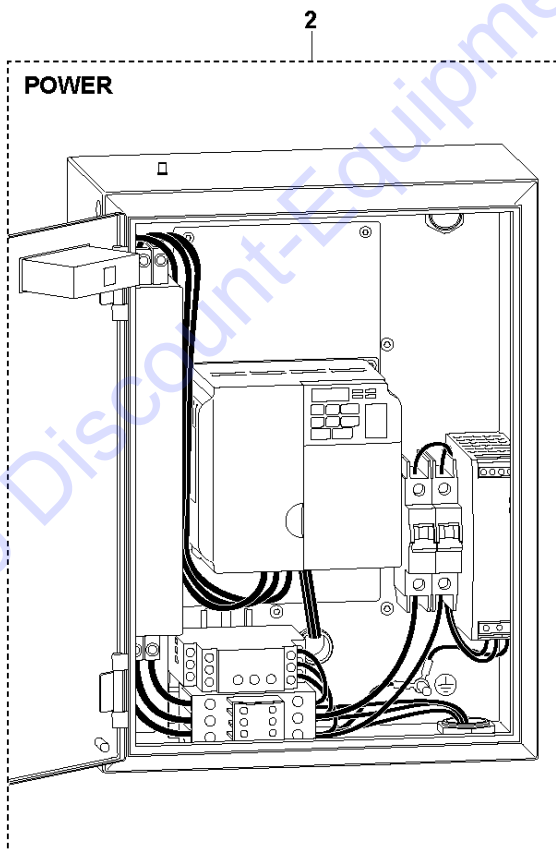
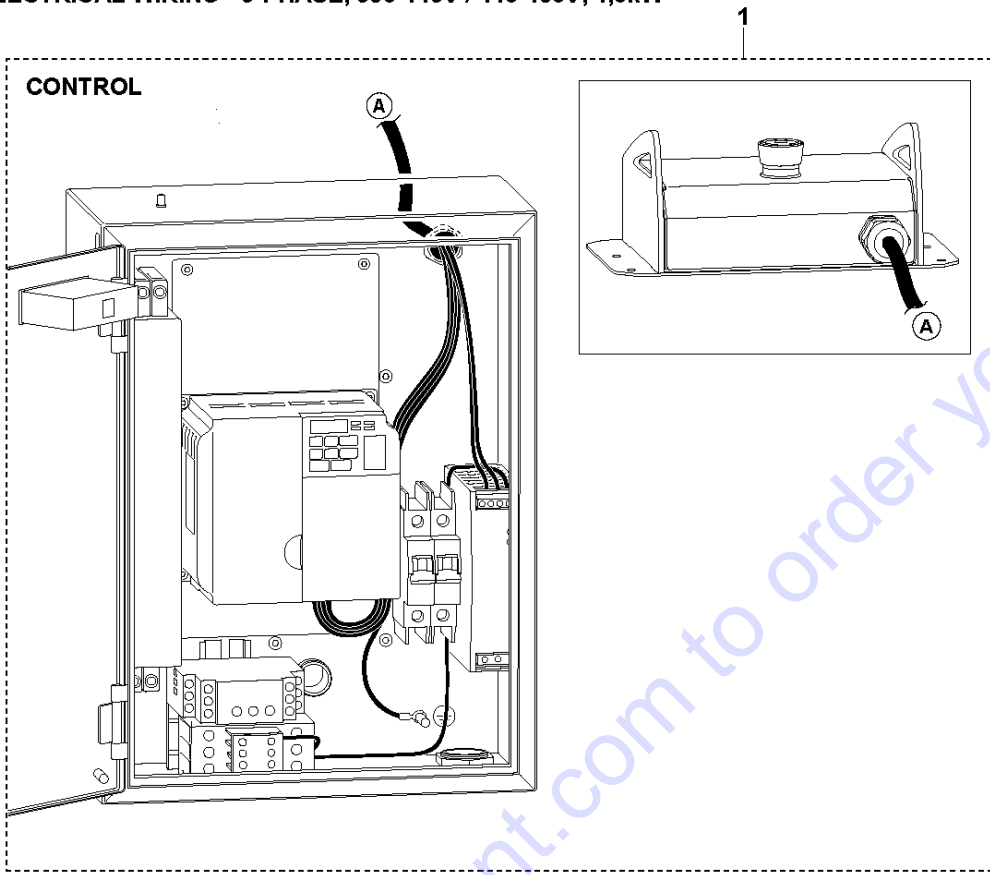


Go to DiscountEquipment.com to order your parts

Ref	Part No	Description	Remark	QTY KIT
1	599 77 16-01	CABLE KIT	Control - PG 540	1
2	599 77 09-01	CABLE KIT	Power - PG 540 - 3PH	1
3	599 77 05-01	CABLE KIT	24VDC - PG 540 - 3PH - 16A	1

Go to Discount-Equipment.com to order your parts

U PG 540
ELECTRICAL WIRING - 3-PHASE, 380-415V / 440-480V, 4,0kW

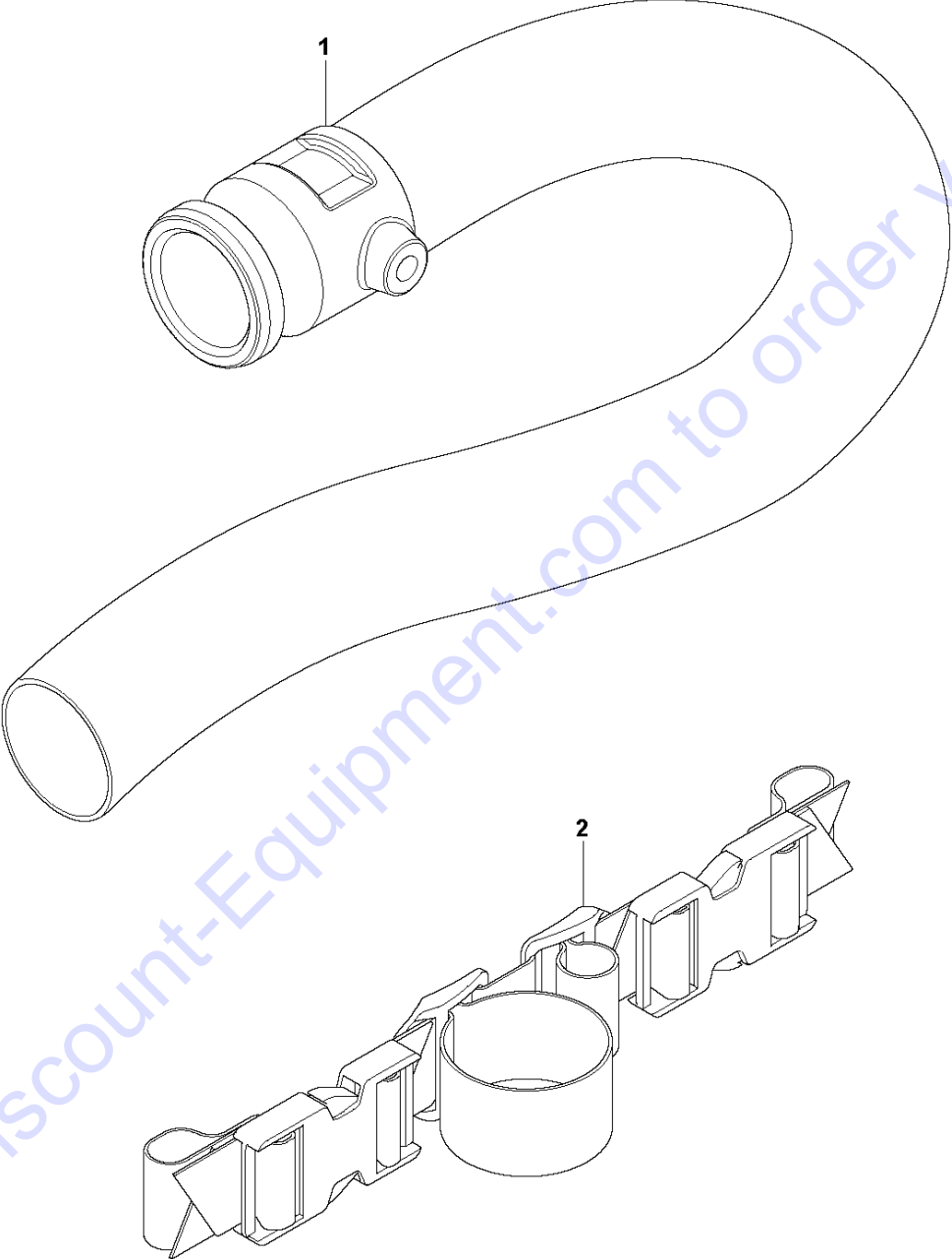


Go to Discount-Equipment.com to order your parts

Ref	Part No	Description	Remark	QTY KIT
1	599 77 16-01	CABLE KIT	Control - PG 540	1
2	599 77 09-01	CABLE KIT	Power - PG 540 - 3PH	1
3	599 77 04-01	CABLE KIT	24VDC - PG 540 - 3PH - 20A	1

Go to Discount-Equipment.com to order your parts

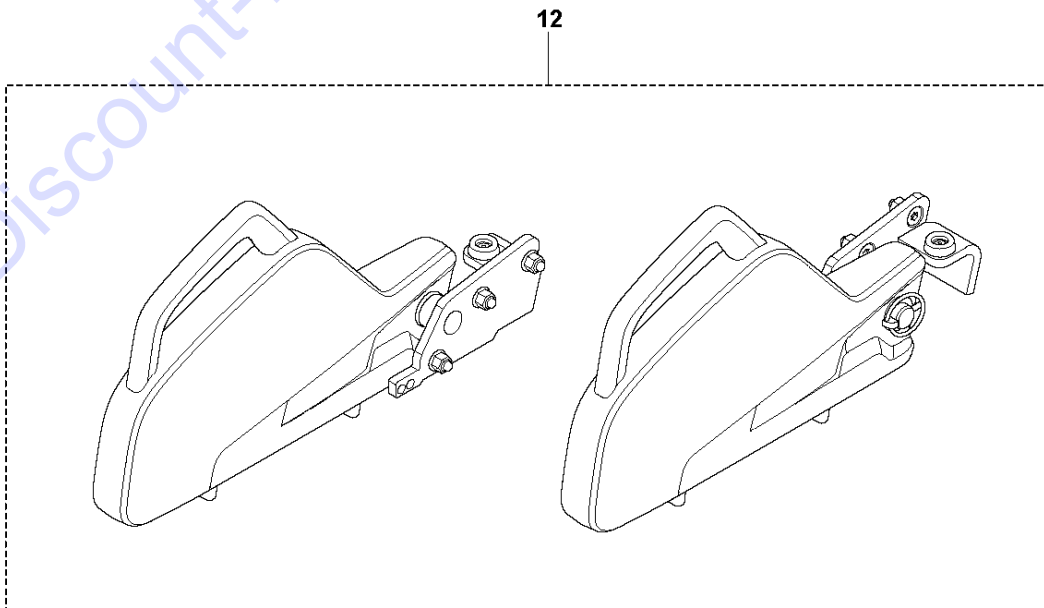
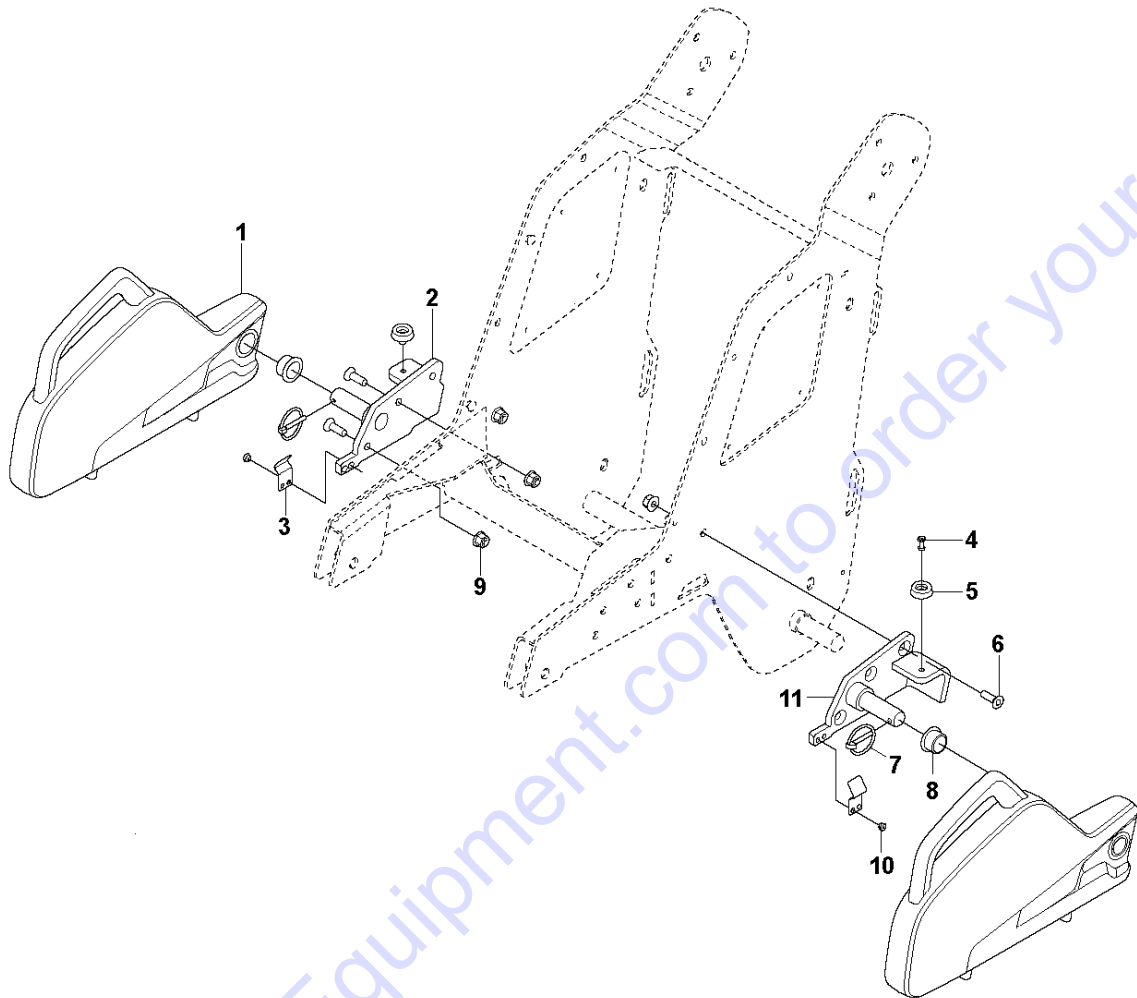
V PG 540
MISC SPARE PARTS



Ref	Part No	Description	Remark	QTY KIT
1	599 69 00-01	HOSE KIT		1
2	593 53 67-01	STRAP	hose guide assy	1

Go to Discount-Equipment.com to order your parts

W PG 540
WEIGHT ASSY

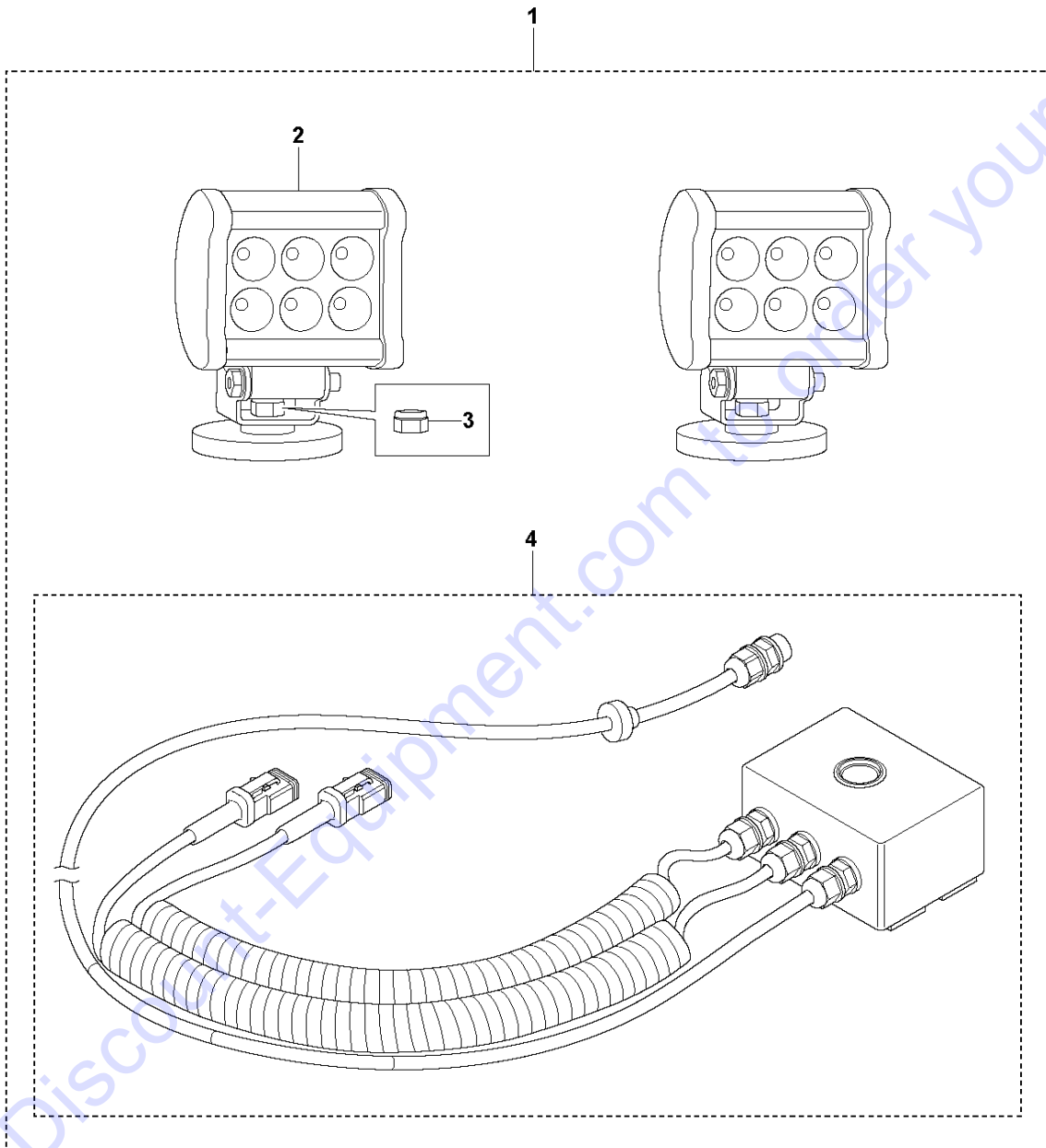


Go to Discount-Equipment.com to order your parts

Ref	Part No	Description	Remark	QTY KIT
1	597 22 23-01	WEIGHT	Side	2
2	597 20 97-01	BRACKET	Right	1
3	597 23 77-01	SPRING	Weight holder PG540	1
4	598 01 55-01	RIVET		2
5	595 66 69-01	DAMPER		2
6	587 96 20-03	SCREW ITXCFSM	M8x25 Torx	6
7	597 89 31-01	PIN		2
8	595 66 32-01	BEARING		4
9	576 64 57-04	NUT FLANGE		6
10	722 78 70-03	BLIND RIVET		4
11	597 20 97-02	BRACKET	Left	1
12	598 02 82-01	WEIGHT	Incl. Bearings PG540	1

Go to Discount-Equipment.com to order your parts

X PG 540 RC
LIGHT KIT



Go to Discount-Equipment.com to order your parts

Ref	Part No	Description	Remark	QTY KIT	
1	597 92 52-01	LIGHT		1	
2	593 54 06-01	LIGHT		2	1
3	593 49 98-01	LOCK NUT		2	1
4	598 69 22-01	CABLE		1	1

Go to Discount-Equipment.com to order your parts

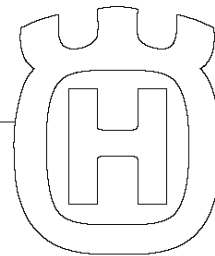
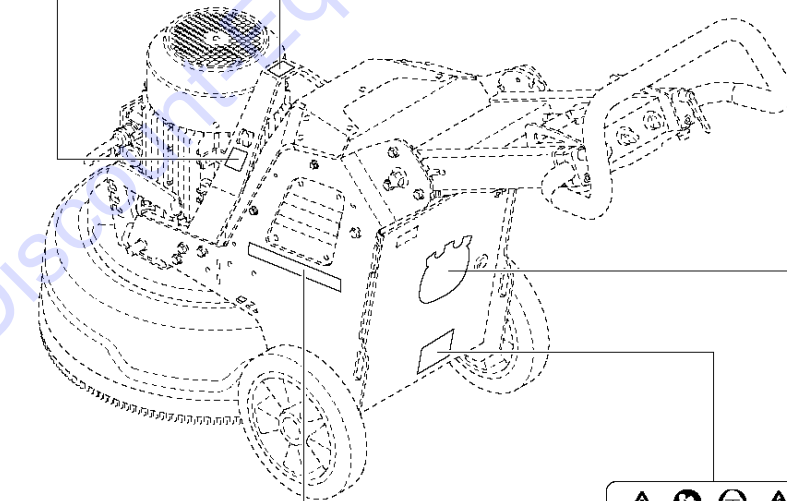
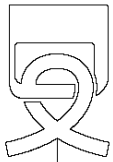
Y PG 540
DECALS

1

Husqvarna

Husqvarna

PG 540



Husqvarna

WARNING			
CAUTION			
ATTENTION			
AVVERTIMENTO			

Ref	Part No	Description	Remark	QTY KIT
1	599 65 59-01	DECAL KIT	Decal kit PG 540	1

Go to Discount-Equipment.com to order your parts

PARTS FINDER

**Search Website
by Part Number**



**Search Manual
Library For Parts
Manual & Lookup Part
Numbers – Purchase
or Request Quote**

Search Manuals

Enter your information to help us find the right part for your machine.

* Brand:

* Model:

* Serial:

* Part Number:

SEARCH

**Can't Find Part or
Manual? Request Help
by Manufacturer,
Model & Description**

Parts Order Form

Please fill in the following information to help us find the right part for your machine.

Manufacturer:	<input type="text"/>
Model:	<input type="text"/>
Description:	<input type="text"/>
Part Number:	<input type="text"/>
Quantity:	<input type="text"/>
Notes:	<input type="text"/>

Submit

Discount-Equipment.com is your online resource for quality parts & equipment.

Florida: **561-964-4949** Outside Florida TOLL FREE: **877-690-3101**

Need parts?

Click on this link: <http://www.discount-equipment.com/category/5443-parts/> and choose one of the options to help get the right parts and equipment you are looking for. Please have the machine model and serial number available in order to help us get you the correct parts. If you don't find the part on the website or on one of the online manuals, please fill out the request form and one of our experienced staff members will get back to you with a quote for the right part that your machine needs.

We sell worldwide for the brands: Genie, Terex, JLG, MultiQuip, Mikasa, Essick, Whiteman, Mayco, Toro Stone, Diamond Products, Generac Magnum, Airman, Haulotte, Barreto, Power Blanket, Nifty Lift, Atlas Copco, Chicago Pneumatic, Allmand, Miller Curber, Skyjack, Lull, Skytrak, Tsurumi, Husquvarna Target, Stow, Wacker, Sakai, Mi-T-M, Sullair, Basic, Dynapac, MBW, Weber, Bartell, Bennar Newman, Haulotte, Ditch Runner, Menegotti, Morrison, Contec, Buddy, Crown, Edco, Wyco, Bomag, Laymor, EZ Trench, Bil-Jax, F.S. Curtis, Gehl Pavers, Heli, Honda, ICS/PowerGrit, IHI, Partner, Imer, Clipper, MMD, Koshin, Rice, CH&E, General Equipment, Amida, Coleman, NAC, Gradall, Square Shooter, Kent, Stanley, Tamco, Toku, Hatz, Kohler, Robin, Wisconsin, Northrock, Oztec, Toker TK, Rol-Air, APT, Wylie, Ingersoll Rand / Doosan, Innovatech, Con X, Ammann, Mecalac, Makinex, Smith Surface Prep, Small Line, Wanco, Yanmar