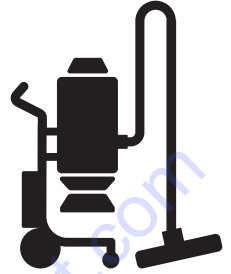




Husqvarna®



W 70, W 70 P, W 250 P

EN	Operator's manual	2-13
DE	Bedienungsanweisung	14-26
FR	Manuel d'utilisation	27-40
NL	Gebbruksaanwijzing	41-54

TO PURCHASE THIS PRODUCT PLEASE CONTACT US



**Equipment Financing and
Extended Warranties Available**



**Discount-Equipment.com is your online resource for
commercial and industrial quality parts and equipment sales.**

561-964-4949

visit us on line @ www.discount-equipment.com

Select an option below to find your Equipment

Search by Manufacturer

Search by Product Type

Request a Quote

We sell worldwide for the brands: Genie, Terex, JLG, MultiQuip, Mikasa, Essick, Whiteman, Mayco, Toro Stone, Diamond Products, Generac Magnum, Airman, Haulotte, Barreto, Power Blanket, Nifty Lift, Atlas Copco, Chicago Pneumatic, Allmand, Miller Curber, Skyjack, Lull, Skytrak, Tsurumi, Husquvarna Target, Stow, Wacker, Sakai, Mi-T-M, Sullair, Basic, Dynapac, MBW, Weber, Bartell, Bennar Newman, Haulotte, Ditch Runner, Menegotti, Morrison, Contec, Buddy, Crown, Edco, Wyco, Bomag, Laymor, EZ Trench, Bil-Jax, F.S. Curtis, Gehl Pavers, Heli, Honda, ICS/PowerGrit, IHI, Partner, Imer, Clipper, MMD, Koshin, Rice, CH&E, General Equipment, Amida, Coleman, NAC, Gradall, Square Shooter, Kent, Stanley, Tamco, Toku, Hatz, Kohler, Robin, Wisconsin, Northrock, Oztec, Toker TK, Rol-Air, APT, Wylie, Ingersoll Rand / Doosan, Innovatech, Con X, Ammann, Mecalac, Makinex, Smith Surface Prep, Small Line, Wanco, Yanmar

Contents

Introduction.....	2	Troubleshooting.....	9
Safety.....	5	Transportation, storage and disposal.....	10
Assembly.....	6	Technical data.....	11
Operation.....	7	EC Declaration of Conformity.....	13
Maintenance.....	8		

Introduction

Product description

The Husqvarna Wet industrial vacuum cleaner is a slurry collector. The liquids are sucked through the inlet valve at high speed via the suction hose. The liquid is collected in a container. The pump variants offer the possibility to evacuate the liquid via the evacuation pump.

On variants without the evacuation pump the liquid can be drained by the evacuation valve.

A floating device protect the motor from liquid.

The W 70 and W 70 P have an extra filter to filter the slurry foam from particles.

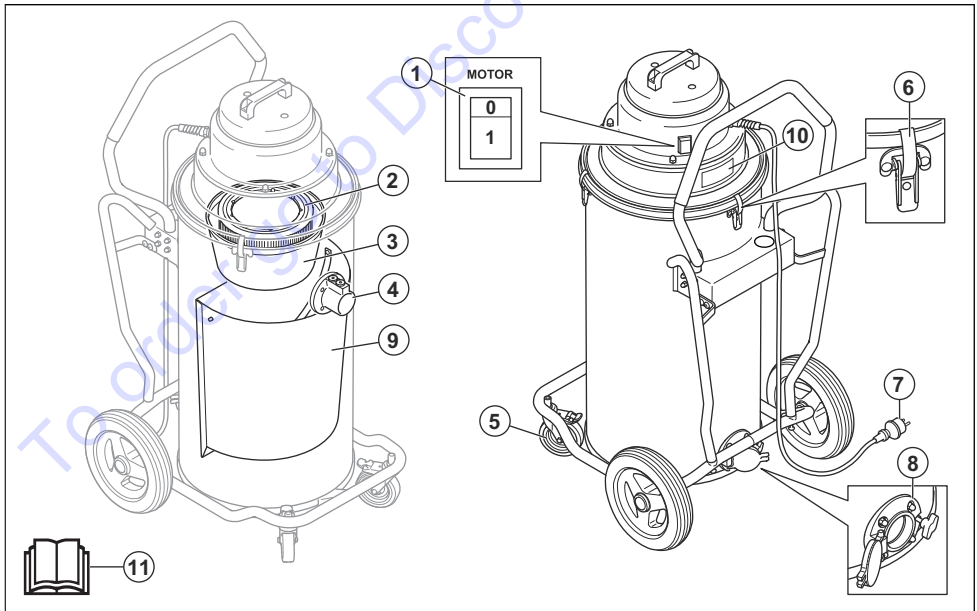
To protect the product and prolong the lifetime it is always recommended to use bags to collect and filter the largest particles.

Intended use

The product is intended for domestic and commercial use, for example in hotels, schools, hospitals, factories, shops, offices and rental businesses to vacuum and collect liquid none explosive, flammable or combustible.

The W 70 and W 70 P can be used for dry applications temporarily. Dry bags should then always be used and the filter should be changed to a Hepa filter, sold as an accessory.

Product overview W 70



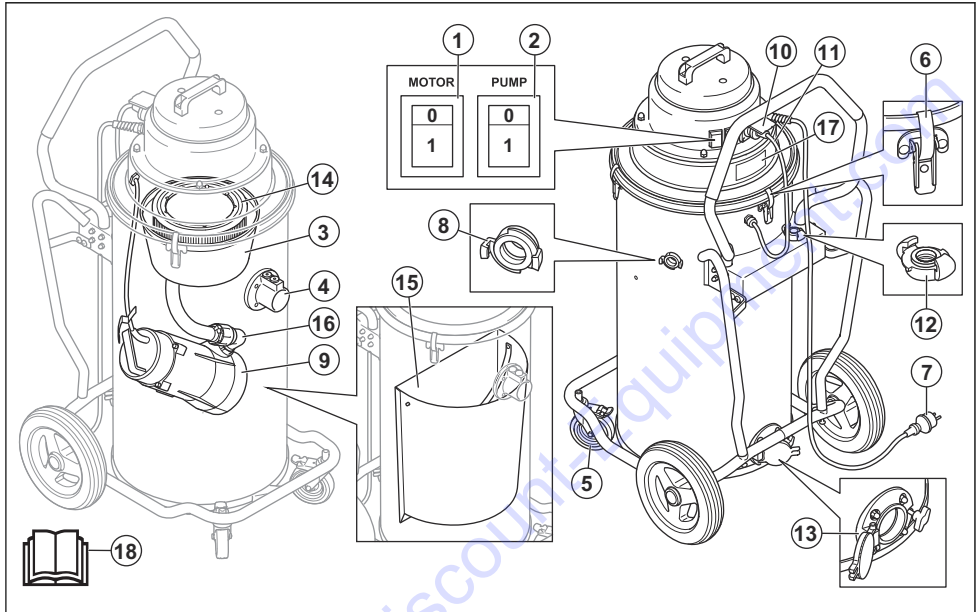
1. On/off switch for the motor
2. Filter

3. Float
4. Inlet valve

- 5. Lockable caster wheels
- 6. Toggle fastener
- 7. Power cable
- 8. Evacuation valve

- 9. Stainless steel strainer
- 10. Type plate
- 11. Operator's manual

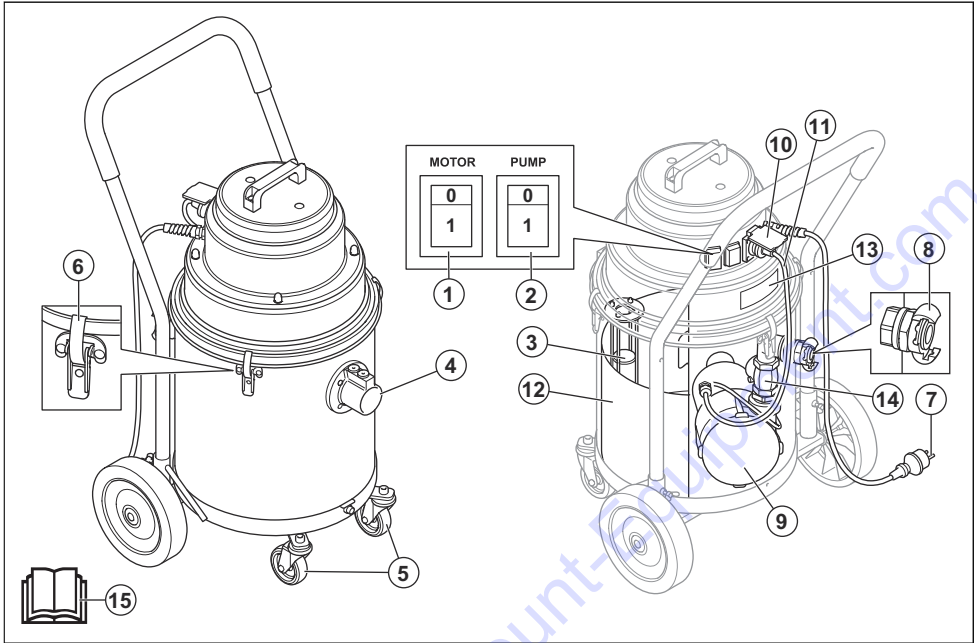
Product overview W 70 P



- 1. On/off switch for the motor
- 2. On/off switch for the pump
- 3. Float
- 4. Inlet valve
- 5. Lockable caster wheels
- 6. Toggle fastener
- 7. Power cable
- 8. Outlet
- 9. Pump

- 10. Socket outlet for the pump cable
- 11. Pump cable
- 12. Adapter for evacuation hose
- 13. Evacuation valve
- 14. Filter
- 15. Stainless steel strainer
- 16. Check valve
- 17. Type plate
- 18. Operator's manual

Product overview W 250 P



1. On/off switch for the motor
2. On/off switch for the pump
3. Float
4. Inlet valve
5. Caster wheels
6. Toggle fastener
7. Power cable
8. Outlet
9. Pump
10. Socket outlet for the pump cable
11. Pump cable
12. Stainless steel strainer
13. Type plate
14. Check valve
15. Operator's manual

Symbols on the product



Please read the operator's manual carefully and make sure you understand the instructions before using the product.



Always use an approved breathing mask.



Always use approved ear protection.



Always use approved eye protection.

Product liability

As referred to in the product liability laws, we are not liable for damages that our product causes if:

- the product is incorrectly repaired.
- the product is repaired with parts that are not from the manufacturer or not approved by the manufacturer.
- the product has an accessory that is not from the manufacturer or not approved by the manufacturer.
- the product is not repaired at an approved service center or by an approved authority.

Safety

Safety definitions

Warnings, cautions and notes are used to point out specially important parts of the manual.



WARNING: Used if there is a risk of injury or death for the operator or bystanders if the instructions in the manual are not obeyed.





CAUTION: Used if there is a risk of damage to the product, other materials or the adjacent area if the instructions in the manual are not obeyed.

Note: Used to give more information that is necessary in a given situation.

General safety instructions



WARNING: Read the warning instructions before you use the product.

- Read the operator's manual carefully and understand the instructions before using the product. Save all warnings and instructions for future reference.
 - Make sure that you read and understand the instructions for the main product manual to ensure that you know what personal equipment to wear, what safety equipment to use and how to work in a safe mode.
 - Always exercise care and use your common sense. If you get into a situation where you feel unsafe, stop and seek expert advice. Contact Discount-equipment or an experienced user. Do not attempt any task that you feel unsure of!
 - Keep in mind that it is you, the operator that is responsible for not exposing people or their property to accidents or hazards.
 - The product must be kept clean. Signs and stickers must be fully legible.
 - Do not handle plug or machine with wet hands.
 - This product is not intended for use by persons (including children) with reduced physical, sensory or mental capabilities, or lack of experience and knowledge.
 - Never use a product that is faulty. Carry out the safety checks, maintenance and service instructions described in this manual. Some maintenance and service measures must be carried out by trained and qualified specialists. Refer to *Maintenance on page 8*.
-
- ## Electrical Safety instructions
-
- 
- WARNING:** Read the warning instructions that follow before you use the product.
- The product is equipped with a safety thermal protector to prevent motor from overheating. Should thermal protector activate, turn off machine, unplug power cord and check for full dust bag, vacuum hose clog or filter blockage. It may take up to 45 minutes for the thermal protector to reset.
 - Before using the product make sure that the power & voltage corresponds with the voltage shown on the machines rating plate, including extension cords.
 - Connect to a properly grounded outlet only. Refer to *Grounding instructions on page 7*.
 - Improper connection of the equipment-grounding conductor can result in a risk of electrical shock. Check with a qualified electrician or service person if you are in doubt as to whether the outlet is properly grounded. Do not modify the plug provided, if it will not fit the outlet have a proper outlet installed by a qualified electrician.
 - If using an extension cord make sure the cord rating is suitable for this machine.
 - Cables damaged through crushing or splitting can be dangerous if used and should be replaced immediately.
 - Do not use with damaged cord or plug. If the machine is not working as it should, has been dropped, damaged, left outdoors or dropped in water. Make sure it is repaired by a qualified person to avoid hazard.
 - Regularly inspect cord and plug for damage. Do not use with a damaged cord or plug.
 - Do not pull or carry by cord, use cord as handle, close a door on cord, or pull cord around sharp edges or corners. Do not allow equipment to run over cord. Keep cord away from heated surfaces.
 - Do not unplug by pulling on cord. To unplug, grasp the plug.
 - Do not leave machine when plugged in. Unplug cord from outlet when not in use and before cleaning or servicing machine.
-
- ## Safety instructions for assembly
-
- 
- WARNING:** Read the warning instructions that follow before you assemble the product.
- Do not change a part of the product without approval from the manufacturer.

- Unauthorized modifications and/or accessories may lead to serious injury or death to the user or others.
- Use only as described in this manual. Use only manufacturers recommended attachments.
- Always use genuine accessories.
- Make sure the assembly area is firm, so the dust extractor does not tip over. Risk of personal and material injury.
- Be careful, the toggle fasteners can cause damage to the operator when assemble the product.

- Do not allow to use as a toy. Close attention is necessary when used by or near children.
- Operators shall be adequately instructed on the use of the product.
- Turn off all controls before unplugging.
- To reduce the risk of electric shock, always install the floating device before any wet pick-up operation.
- Use extra care when cleaning on stairs.
- Keep children and unauthorized persons away from the product when in use.
- To reduce the risk of electric shock – Do not expose to rain. Store indoors.
- Replace collection system and/ or filters as described in this manual. Refer to *To replace filters on page 9.*

Safety instructions for operation



WARNING: Read the warning instructions that follow before you use the product.



WARNING: If foam or liquid escapes from the machine, switch off immediately.



WARNING: The product is not suitable for picking up hazardous dust.

- The product must not be used in environments near explosive gases.
- Do not pick up anything that is burning or smoking, such as cigarettes, matches or hot ashes.
- Do not use to pick up flammable or combustible liquids, such as gasoline, or use in areas where they may be present.
- Do not put any object into openings. Do not use with any openings blocked. Keep free of dust, hair and anything that may reduce airflow.
- Do not point the suction hose in the direction of body parts when the machine is running. Do not put parts of the body against the suction inlet if the suction hose is not installed.
- Keep hair, loose clothing, fingers and all parts of body away from openings and moving parts.
- Do not use for dry application without dust bag and/or filters in place.
- Children should be supervised to ensure that they do not play with the appliance.

Personal protective equipment



WARNING: Read the warning instructions that follow before you use the product.

- Health impairing dust can be spread during filter and bags replacement. Accordingly, the user should wear protective glasses, protective gloves, and a breathing mask conforming to protection class FFP3.

Safety instructions for maintenance



WARNING: Read the warning instructions that follow before you use the product.



CAUTION: Clean the water level limiting device regularly and examine it for signs of damage.

- All repairs must be performed by a qualified service person. Use only manufacturer-supplied or equivalent replacement parts.
- Make sure, when the product is lifted, that the waste container is empty and that no body stay below the product.

Assembly

Introduction



CAUTION: Only use extension cable with correct rated value for this product.



CAUTION: Do not keep water or wet dirt in the suction device. That can cause bad smells and defective hygiene.

General

Do a check that the following accessories are included:

- The hose with end fittings

- Steel tube
- Floor Nozzle
- Crevice tool
- 1 bag for slurry collection

If 1 of the parts is missing, speak to your local service agent .

Make sure to dispose the package and the used product components in correct procedure. Refer to local disposal regulations. Make sure to recycle.

Operation

Introduction



WARNING: Before you operate the product, carefully read and understand the safety chapter and the operation instructions.

Before use



WARNING: Connect the power plug to a power outlet with the correct voltage, see the type plate.

Grounding instructions



WARNING: The product must be grounded. If it should malfunction or breakdown, grounding provides a path of least resistance for electric current to reduce the risk of electric shock. The product is equipped with a cord having an equipment-grounding conductor and grounding plug. The plug must be inserted into an appropriate outlet that is properly installed and grounded in accordance with all local codes and ordinances.

To connect the correct evacuation hose

The adapter fit most 25 mm/ 1 inch hoses.

- Use the attached adapter.
- Fit the adapter on the hose end.
- Attach the adapter to the outlet.

To attach the suction hose

There is a hose intake with a hose lock on the product. The hose lock makes sure that the suction hose adapter do not fall off.

1. Lift the hose lock and attach the suction hose adapter.
2. Lower the hose lock into the recess of the adapter.

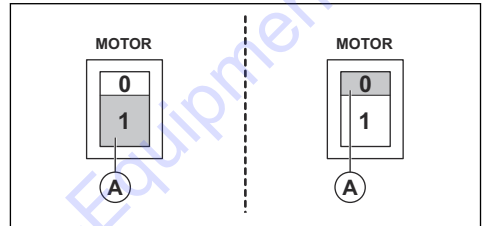
To attach the nozzle on the hand pipe

The floor nozzle has adjustable wheels. Adjust the wheels to get the best suction effect. Adjust the wheels with the knob, which is on the rear side of the nozzle.

The wheels and rubber strips of the nozzle can be replaced. Keep the nozzle in good condition.

To start and stop the W 70

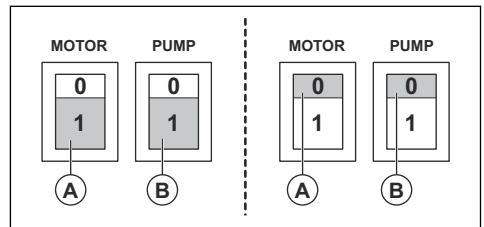
- Push the button (1) to start the product.
- Push the button (0) to stop the product.



To start and stop the W 70 P and the W 250 P

The motor switch is the button A and the pump switch is the button B referring to the figure.

- Push the button (1) to start the product.
- Push the button (0) to stop the product.



After use

1. Switch off the suction apparatus with the switch.
2. Disconnect the power cord. Do not remove the pump cable.
3. Empty and clean the suction apparatus and the accessories used. Refer to *To attach the suction hose on page 7* and *To clean the product on page 9*.

To change the bag

1. Disconnect the power cord and remove the pump cable.

2. Loosen the 3 toggle fasteners and remove the top.
3. Lift out the float.
4. Remove and dispose the old bag. Refer to local regulations.

5. Insert the new bag into the stainless steel strainer.
6. Thread the small opening over the internal inlet pipe. Let the tab rest over the container rim.
7. Do step 1-3 in reversed order.

Maintenance

Introduction



WARNING: Most accidents involving machines occur during trouble shooting, service and maintenance as staff have to locate themselves within the risk area of the machine. Prevent accidents by being alert and by planning and preparing the work.



WARNING: Before you do maintenance of the product, make sure that the motor switch and the pump switch are in the Off positions.

Disconnect the power cord and remove the pump cable.



WARNING: All checks that involve electric components should only be performed by a licensed electrician.



WARNING: Do not puncture the filter. Risk of dust dispersion.

Maintenance schedule

The maintenance intervals are calculated from daily use of the product. The intervals change if the product is not used daily.

Maintenance	Before each use	After every use	Daily	Weekly	6 months or 1000h	12 months or 2000h
Look for signs of wear, damage or loose connections of the controls before the unit is connected.	X					
Empty and clean the tank and the accessories.		X				
Do a check of the filters. ¹			X			
Do a check of the wheels. Look for damage and bad connections. Castor wheel locks should be working in order.				X		
Do a check of the function of the one-way valve on P-variants.				X		
Do a check of the hose attachments for mechanical wear. Make sure that the sealing has full function.				X		
Change of filter ²						X

¹ Only applicable on W 70 and W 70 P.

² Only applicable on W 70 and W 70 P.

Maintenance	Before each use	After every use	Daily	Weekly	6 months or 1000h	12 months or 2000h
Do a check of the hose gasket and the sealing.			X			

To clean the product



WARNING: Make sure that the motor switch and the pump switch are in the Off positions, before cleaning the product. Disconnect the power cord. Do not remove the pump cable

It is important to clean the product to prevent damage and circulation of dangerous waste. Always clean the product before it is moved from the work area. If the product has to be used for other purposes, it is extremely important that the product will be cleaned, to avoid spreading of hazardous material.

After running slurry through the pump, flush the system with significant amount of fresh water. Do not leave slurry in the pump or bottom of the tank. This will cause damage to the pump and the slurry will harden and clog the system. When using the unit dry and then switching to wet, or vice a versa, make sure the filters are cleaned properly and throughly to not have build up or clogging in the system.

All parts that are contaminated after service work must be disposed in a correct procedure in plastic bags. Refer to local regulations.

- Use correct personal equipment when you clean the product. Refer to *Personal protective equipment on page 6*
- Clean the external surface with a moist cloth.
- Clean the filters and the slurry collector in applicable area.
- Flush the system with fresh water to throughly clean the pump.

Filter change



WARNING: Use personal safety equipment, refer to *Personal protective equipment on*

page 6, during filter change. Dust can come out during filter change.



WARNING: Always turn the motor switch in the Off position and disconnect the cord from the wall outlet during filter change.

To replace filters

Only W 70 and W 70 P have an extra filter to slurry foam from particles.

1. Disconnect the power cord. Remove the pump cable.
2. Loosen the 3 toggle fasteners to remove the top.
3. Lift off the filter holder with the filter.
4. Loosen the nut on the filter holder and remove the filter cap and the filter.
5. Do a check of the gasket on the filter holder. Replace the gasket if it is damaged.
6. Assemble the new filter.
7. Clean all other parts.

Floating device

A floating device protect the motor from liquid.

- Visually inspect the floating device regularly to ensure that it is not damaged and free of obstructions.

When the floating device is being activated, the motor needs to be switch off and water has to be evacuated before the motor is turned on.

Troubleshooting

Troubleshooting schedule

Issue	Cause	Solution
Motor does not start	No power	Connect the product
	Cable defective	Replace the cable
	Switch defective	Replace the switch

Issue	Cause	Solution
Motor stops immediately after starting	Wrong fuse	Connect to correct fuse
	Shortcut in cable/machine	Order service
Motor runs but there is not suction	Hose not connected	Connect the hose
	Hose blocked	Clean hose
	Floating device activated.	Inspect water level and damages on the float.
Motor runs but there is poor suction	Hole on the hose	Replace hose
	Filter clogged	Clean filter/ Replace filter
	Loose suction unit	Adjust
	Dirt in the hose or intake	Clean the hose and intake
	Defective gaskets	Replace affected gaskets
	Blocked or defective check valve.	Clean or replace the check valve.
Dust blown from motor	Wrongly assembled or damaged filter system ³	Adjust/ Replace filters
Poor pumping	The pump or tubes are blocked ⁴	Clean the pump, check valve and hose
Abnormal noise		Order service

Transportation, storage and disposal

Transportation of the product

- The unit must be securely fasten during transportation.
- Where possible, always transport in closed vehicle.
- Avoid transporting in adverse weather condition.
- Use ramps or winches to lift the dust extractor to make sure that movements are safe. Get aid if you are not sure about how to lift heavy equipment.
- Engage the locking caster safely on the wheels.
- Secure the equipment during transportation in order to avoid transport damage and accidents.
- It is recommended to transport the product upright where possible.
- It is recommended to empty the product before transportation.

Storage of the product

- The product must be stored inside away from outdoor elements.
- Wet filters and the interior part of the liquid container shall be dried before storage.

- Do not expose the product to rain or moisture.
- Attach the locking casters safely. Only applicable on W 70 and W 70 P.
- Disconnect the product from the power source.
- Store the product and the equipment in a dry area with no frost or excessive heat.
- Store all equipment in an locked area, so that it is out of reach of children and unauthorized persons.

Disposal of the product

- Obey the local recycling requirements and applicable regulations.
- When the product no longer is used, send it to a dealer or discard it at a recycling location.

³ Only applicable on W 70 and W 70 P.

⁴ Only applicable on W 70 P and W 250 P.

Technical data

Technical data

Data	W 70 110V	W 70 230V	W 70 P 110V	W 70 P 230V	W 250 P 230V
Voltage (1 phase), V	110-120	220-230	110-120	220-230	220-230
Frequency, Hz	50-60	50-60	50	50-60	50
Motor Power, kW (HP)	1.2 (1.6)	1.2 (1.6)	1.8 (2.4)	1.85 (2.5)	1.55 (2.1)
Current (max), A	8	5	15	8	5
Airflow, m ³ /h (CFM)	200 (118)	200 (118)	200 (118)	200 (118)	160 (95)
Vacuum, kPa (psi)	24 (94)	22 (88)	24 (94)	22 (88)	22 (88)
Water lift, m (in.)	2.5 (100)	2.3 (90)	2.5 (100)	2.3 (90)	2.3 (90)
Main Hose diameter, mm (in.)	38 (1.5)	38 (1.5)	38 (1.5)	38 (1.5)	38 (1.5)
Main Hose length, m (ft)	3 (10)	3 (10)	3 (10)	3 (10)	3 (10)
Inlet diameter, mm (in.)	38 (1.5)	38 (1.5)	38 (1.5)	38 (1.5)	38 (1.5)
Filter (Yes/ No)	Yes	Yes	Yes	Yes	No
Filter area m ² (ft ²)	0.6 (6.5)	0.6 (6.5)	0.6 (6.5)	0.6 (6.5)	N/A
Dust collection system (Type), l (gal)	Disposable bag or Stainless steel container, 70 (18.5)	Disposable bag or Stainless steel container, 70 (18.5)	Disposable bag or Stainless steel container, 70 (18.5)	Disposable bag or Stainless steel container, 70 (18.5)	Disposable bag or Stainless steel container, 29 (7.66)
Evacuation pump (Yes/ No)	No	No	Yes	Yes	Yes
Pump Power (max), kW (HP)	N/A	N/A	0.6 (0.8)	0.65 (0.87)	0.35 (0.47)
Pump Current (max) A	N/A	N/A	5	3	1.6
Pump Waterlift, m (ft)	N/A	N/A	9 (30)	9 (30)	6 (20)
Pump discharge, l/min (gal/min)	N/A	N/A	204 (54)	260 (69)	150 (39)
Dimension (LxWxH), mm (in.)	600x570x1250 (23.6x22.4x49.2)	600x570x1250 (23.6x22.4x49.2)	600x570x1250 (23.6x22.4x49.2)	600x570x1250 (23.6x22.4x49.2)	530x520x910 (20.9x20.5x35.8)
Weight, kg (lbs)	34 (75)	34 (75)	44 (97)	44 (97)	27 (59)
Sound power level L _{WA} measured, dB(A) ⁵	86	86	86	86	85
Sound pressure level L _{PA} at the operators ear, dB(A) ⁶	76	76	76	76	74

⁵ Noise emissions in the environment measured as sound power (LWA) in conformity with EN 60335-2-69. Uncertainty Kwa 2dB.

⁶ Noise pressure level according to EN 60335-2-69. Uncertainty KPA 2dB.

Inhalt

Einleitung.....	14	Fehlerbehebung.....	22
Sicherheit.....	17	Transport, Lagerung und Entsorgung.....	23
Montage.....	19	Technische Daten.....	24
Betrieb.....	19	EU-Konformitätserklärung.....	26
Wartung.....	20		

Einleitung

Beschreibung des Geräts

Der Husqvarna Wet industrial vacuum cleaner ist ein slurry collector. Die Flüssigkeit wird mit hoher Geschwindigkeit über den Saugschlauch durch das Einlassventil gesaugt. Die Flüssigkeit wird in einem Behälter gesammelt. Die Pumpvarianten bieten die Möglichkeit, die Flüssigkeit über die Saugpumpe zu entleeren.

Bei Varianten ohne Saugpumpe kann die Flüssigkeit durch das Entleerungsventil abgelassen werden.

Ein Schwimmer schützt den Motor vor Flüssigkeit.

Der W 70 und W 70 P verfügen über einen extra Filter, um Partikel aus dem schlammigen Schaum herauszufiltern.

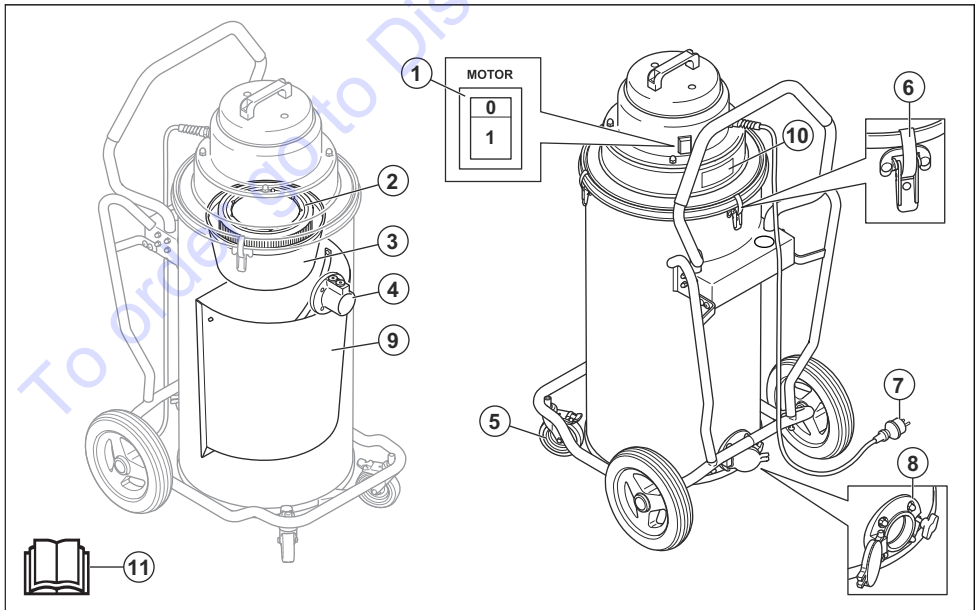
Um das Gerät zu schützen und seine Betriebszeit zu verlängern, wird stets empfohlen, zum Sammeln und Filtern der größten Partikelbeutel zu verwenden.

Verwendungszweck

Das Gerät ist für die private und gewerbliche Nutzung vorgesehen, um z. B. in Hotels, Schulen, Krankenhäusern, Fabriken, Geschäften, Büros und Mietunternehmen nicht explosive, nicht entflammare oder brennbare Flüssigkeiten aufzusaugen und zu sammeln.

Der W 70 und W 70 P können kurzzeitig für Trockenarbeiten verwendet werden. Dann sollten stets Trockenbeutel verwendet werden und der Filter sollte gegen einen Hepa filter ausgetauscht werden, der als Zubehör erhältlich ist.

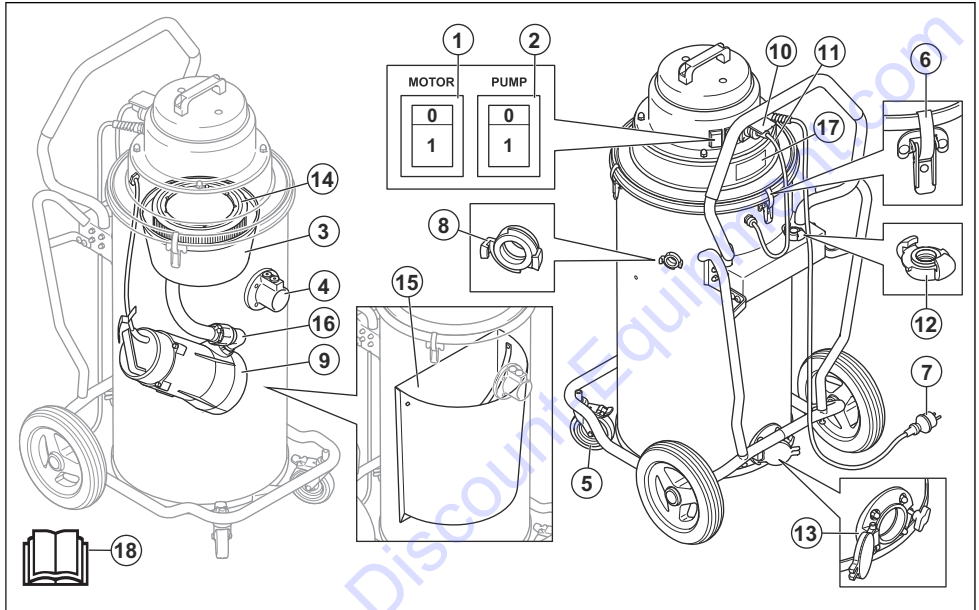
Produktübersicht W 70



1. Ein-/Ausschalter für den Motor
2. Filter
3. Schwimmer
4. Einlassventil
5. Sperrbare Schwenkräder
6. Spannverschluss

7. Stromkabel
8. Entleerungsventil
9. Rostfreies Sieb
10. Typenschild
11. Betriebsanleitung

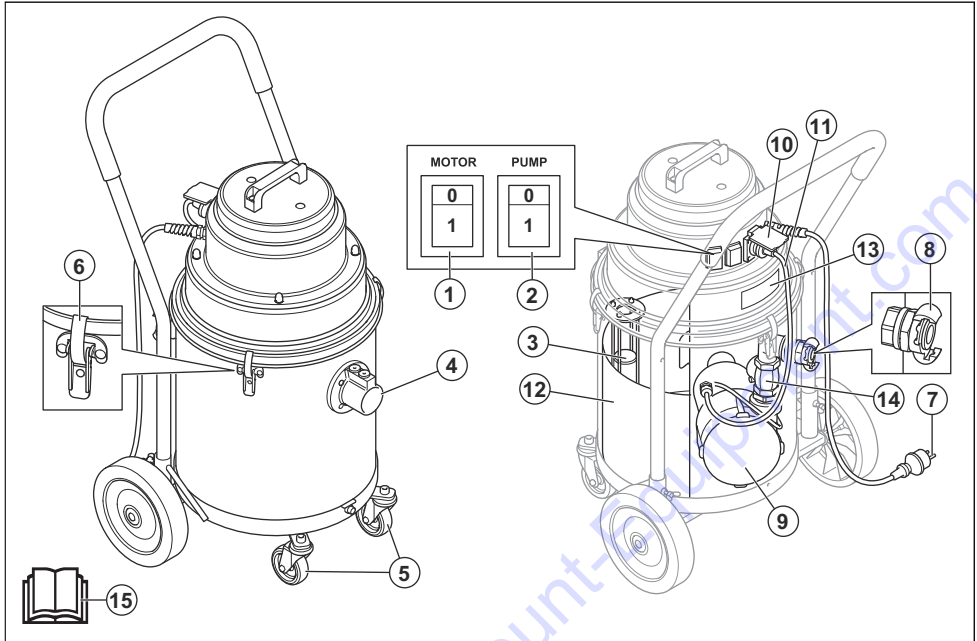
Geräteübersicht W 70 P



1. Ein-/Ausschalter für Motor
2. Ein-/Ausschalter für Pumpe
3. Schwimmer
4. Einlassventil
5. Sperrbare Schwenkräder
6. Spannverschluss
7. Stromkabel
8. Auslass
9. Pumpe

10. Steckdose für Pumpenkabel
11. Pumpenkabel
12. Adapter für Entleerungsschlauch
13. Entleerungsventil
14. Filter
15. Edelstahlsieb
16. Rückschlagventil
17. Typenschild
18. Bedienungsanleitung

Geräteübersicht W 250 P



1. Ein-/Ausschalter für Motor
2. Ein-/Ausschalter für Pumpe
3. Schwimmer
4. Einlassventil
5. Schwenkräder
6. Spannverschluss
7. Stromkabel
8. Auslass
9. Pumpe
10. Steckdose für Pumpkabel
11. Pumpkabel
12. Edelstahlsieb
13. Typenschild
14. Rückschlagventil
15. Bedienungsanleitung

Symbole auf dem Gerät



Lesen Sie die Bedienungsanleitung sorgfältig durch und machen Sie sich mit dem Inhalt vertraut, bevor Sie das Gerät benutzen.



Tragen Sie stets einen zugelassenen Atemschutz.



Tragen Sie stets einen zugelassenen Gehörschutz.



Tragen Sie stets einen zugelassenen Augenschutz.

Produkthaftung

Im Sinne der Produkthaftungsgesetze übernehmen wir keine Haftung für Schäden, die unser Gerät verursacht, wenn...

- das Gerät nicht ordnungsgemäß repariert wird.
- das Gerät mit Teilen repariert wird, die nicht vom Hersteller stammen oder nicht vom Hersteller zugelassen sind.
- ein Zubehörteil mit dem Gerät verwendet wird, das nicht vom Hersteller stammt oder nicht vom Hersteller zugelassen ist.
- das Gerät nicht bei einem zugelassenen Service Center oder von einem zugelassenen Fachmann repariert wird.

Sicherheitsdefinitionen

Warnungen, Vorsichtsmaßnahmen und Hinweise werden verwendet, um auf besonders wichtige Teile der Bedienungsanleitung hinzuweisen.



WARNUNG: Wird verwendet, wenn bei Nichtbeachtung der Anweisungen in diesem Handbuch die Gefahr von Verletzung oder Tod des Bedieners oder anderer Personen besteht.



ACHTUNG: Wird verwendet, wenn bei Nichtbeachtung der Anweisungen in diesem Handbuch die Gefahr von Schäden am Gerät, an anderen Materialien oder in der Umgebung besteht.

Hinweis: Für weitere Informationen, die in bestimmten Situationen nötig sind.

Allgemeine Sicherheitshinweise



WARNUNG: Lesen Sie die Warnhinweise, bevor Sie das Gerät benutzen.

- Lesen Sie die Bedienungsanleitung sorgfältig durch, und machen Sie sich mit den Anweisungen vor der Inbetriebnahme des Geräts vertraut. Bewahren Sie alle Warnhinweise und Anweisungen für spätere Referenzzwecke auf.
- Stellen Sie sicher, dass Sie die Anweisungen für das Hauptgerät lesen und verstehen, damit Sie wissen, welche persönliche Schutzausrüstung getragen und welche Sicherheitsausrüstung verwendet werden müssen und wie Sie sicher arbeiten.
- Gehen Sie stets vorsichtig vor, und arbeiten Sie mit gesundem Menschenverstand. Wenn Sie in eine Situation geraten, in der Sie unsicher sind, sollten Sie einen Fachmann um Rat fragen. Fragen Sie Ihren Händler, Ihre Servicewerkstatt oder einen erfahrenen Benutzer. Vermeiden Sie jede Arbeit, für die Sie nicht ausreichend qualifiziert sind!
- Denken Sie stets daran, dass Sie als Bediener für eventuell entstehende Sach- und Personenschäden verantwortlich sind.
- Das Gerät ist sauber zu halten. Die Lesbarkeit aller Schilder und Aufkleber muss gewährleistet werden.
- Fassen Sie den Stecker und das Gerät nicht mit nassen Händen an.
- Der Gebrauch dieses Geräts ist Personen (einschließlich Kindern), die über eingeschränkte körperliche, sensorische oder geistige Fähigkeiten

verfügen oder denen es an der erforderlichen Erfahrung und Kenntnissen mangelt, untersagt.

- Arbeiten Sie niemals mit einem defektem Gerät. Befolgen Sie die Kontroll-, Wartungs- und Serviceanweisungen in dieser Betriebsanleitung. Gewisse Wartungs- und Servicemaßnahmen sind von geschulten, qualifizierten Fachleuten auszuführen. Siehe *Wartung auf Seite 20*.

Elektrische Sicherheitshinweise



WARNUNG: Lesen Sie die folgenden Warnhinweise, bevor Sie das Gerät benutzen.

- Das Gerät verfügt über einen Thermo Schutz, um eine Überhitzung des Motors zu verhindern. Sollte der Thermo Schutz aktiviert werden, schalten Sie das Gerät aus, ziehen Sie das Netzkabel am Stecker aus der Steckdose, und überprüfen Sie, ob der Staubbeutel voll oder der Saugschlauch oder der Filterblock verstopft ist. Die Zurücksetzung des Thermo Schutzes kann bis zu 45 Minuten dauern.
- Vergewissern Sie sich vor der Verwendung des Geräts, dass Stromversorgung und Spannung der auf dem Typenschild des Geräts angegebenen Spannung entsprechen, einschließlich Verlängerungskabel.
- Schließen Sie das Gerät ausschließlich an eine korrekt geerdete Steckdose an Siehe *Erdungsanweisungen auf Seite 19*.
- Bei unsachgemäßem Anschluss der Geräte-Erdungsleitung besteht die Gefahr von elektrischen Schlägen. Wenden Sie sich an einen qualifizierten Elektriker oder Wartungstechniker, wenn Sie sich nicht sicher sind, ob die Steckdose ordnungsgemäß geerdet ist. Verändern Sie nicht den mit dem Gerät gelieferten Stecker. Sollte der Stecker nicht in die Steckdose passen, muss eine geeignete Steckdose durch einen qualifizierten Elektriker installiert werden.
- Bei Verwendung eines Verlängerungskabels ist darauf zu achten, dass die Kabelnennwerte für dieses Gerät geeignet sind.
- Die Verwendung beschädigter Kabel kann gefährlich sein, weshalb sie sofort ersetzt werden müssen.
- Verwenden Sie das Gerät nicht, wenn ein Schaden am Kabel oder Stecker vorliegt. Wenn das Gerät nicht ordnungsgemäß funktioniert, fallen gelassen wurde, beschädigt ist, im Freien gelassen oder ins Wasser gefallen ist, Stellen Sie sicher, dass es durch eine qualifizierte Person repariert wird, um Gefahren abzuwenden.
- Überprüfen Sie das Kabel und den Stecker regelmäßig auf Beschädigungen. Verwenden Sie das Gerät nicht, wenn ein Schaden am Kabel oder Stecker vorliegt.

- Ziehen oder heben Sie das Gerät nicht am Kabel hoch, verwenden Sie das Kabel nicht als Griff, klemmen Sie das Kabel nicht in oder unter einer Tür ein, und ziehen Sie das Kabel nicht um scharfe Ecken und Kanten. Führen Sie keine Geräte über das Kabel. Halten Sie das Kabel von heißen Oberflächen fern.
- Ziehen Sie den Stecker nicht ab, indem Sie am Kabel ziehen. Ziehen Sie zum Ausstecken den Stecker.
- Lassen Sie das Gerät keinesfalls unbeaufsichtigt, wenn es angeschlossen ist. Ziehen Sie das Netzkabel aus der Steckdose, wenn das Gerät nicht verwendet wird und bevor Reinigungs- oder Wartungsarbeiten am Gerät vorgenommen werden.

Sicherheitshinweise für die Montage



WARNUNG: Lesen Sie die folgenden Warnhinweise, bevor Sie das Gerät zusammensetzen.

- Ändern Sie kein Teil des Geräts ohne Genehmigung des Herstellers.
- Unzulässige Änderungen und/oder Zubehör können zu schweren oder tödlichen Verletzungen des Benutzers oder anderer Personen führen.
- Verwenden Sie dieses Gerät nur wie in diesem Handbuch beschrieben. Verwenden Sie nur vom Hersteller empfohlene Aufsätze.
- Verwenden Sie ausschließlich Originalzubehör.
- Stellen Sie sicher, dass die Montagefläche fest ist, damit der Staubabsauger nicht umkippen kann. Gefahr von Verletzungen und Sachschäden.
- Vorsicht: Bei der Montage des Geräts können die Spannverschlüsse zu Verletzungen führen.

Sicherheitshinweise für den Betrieb



WARNUNG: Lesen Sie die folgenden Warnhinweise, bevor Sie das Gerät benutzen.



WARNUNG: Wenn Schaum oder Flüssigkeit aus der Maschine austritt, sofort ausschalten.



WARNUNG: Das Gerät eignet sich nicht zur Aufnahme gefährlichen Staubes.

- Das Gerät darf nicht in der Nähe von explosiven Gasen eingesetzt werden.
- Nehmen Sie mit dem Gerät keine brennenden oder rauchenden Gegenstände oder Substanzen wie Zigaretten, Streichhölzer oder heiße Asche auf.
- Verwenden Sie das Gerät nicht, um entzündliche oder brennbare Flüssigkeiten wie z. B. Benzin

aufzunehmen, und verwenden Sie es nicht in Bereichen, in denen diese auftreten können.

- Legen Sie keine Gegenstände in die Öffnungen. Verwenden Sie das Gerät nicht, wenn eine der Öffnungen verstopft ist. Halten Sie es frei von Staub, Haaren und Materialien, die den Luftstrom beeinträchtigen können.
- Richten Sie bei laufendem Motor den Saugschlauch nicht auf Körperteile. Halten Sie keine Körperteile an den Ansaugstutzen, wenn der Saugschlauch nicht installiert ist.
- Stellen Sie sicher, dass keine Haare, Kleidungsstücke, Finger oder andere Körperteile in die Nähe von Öffnungen und beweglichen Teilen gelangen.
- Verwenden Sie das Gerät für Trockenarbeiten nicht ohne Staubbeutel und/oder Filter.
- Lassen Sie keine Kinder mit dem Gerät spielen. Das Gerät ist kein Spielzeug!
- Achten Sie darauf, dass das Gerät nicht als Spielzeug verwendet wird. Lassen Sie besondere Vorsicht walten, wenn Sie in der Nähe von Kindern arbeiten.
- Der Bediener muss in der Verwendung des Geräts entsprechend geschult worden sein.
- Schalten Sie alle Bedienelemente aus, bevor Sie den Stecker des Geräts ziehen.
- Um das Risiko eines elektrischen Schlags zu verringern, installieren Sie stets den Schwimmer vor jeder Aufsammelarbeit bei Nässe.
- Lassen Sie bei der Reinigung auf Treppen besondere Vorsicht walten.
- Halten Sie Kinder und unbefugte Personen vom Gerät fern, während es in Gebrauch ist.
- Um das Risiko eines elektrischen Schlags zu verringern, schützen Sie das Gerät vor Regen. Bewahren Sie das Gerät in Innenräumen auf.
- Ersetzen Sie das Sammelsystem und/oder die Filter gemäß den Anweisungen in dieser Betriebsanleitung. Siehe *Filter ersetzen auf Seite 22*.

Persönliche Schutzausrüstung



WARNUNG: Lesen Sie die folgenden Warnhinweise, bevor Sie das Gerät benutzen.

- Beim Austausch von Filter und Beuteln kann gesundheitsgefährdender Staub verteilt werden. Deshalb muss der Benutzer eine Schutzbrille, Schutzhandschuhe und eine Atemschutzmaske gemäß protection class FFP3 tragen.

Sicherheitshinweise für die Wartung



WARNUNG: Lesen Sie die folgenden Warnhinweise, bevor Sie das Gerät benutzen.



ACHTUNG: Reinigen Sie den Wasserstandsbegrenzer regelmäßig, und überprüfen Sie sie ihn auf Anzeichen von Beschädigung.

- Alle Reparaturen müssen von einem qualifizierten Wartungstechniker durchgeführt werden. Verwenden

Sie ausschließlich die vom Hersteller gelieferten oder gleichwertige Ersatzteile.

- Stellen Sie sicher, dass der Abfallbehälter beim Anheben des Geräts leer ist und dass sich kein Körperteil unter dem Gerät befindet.

Montage

Einleitung



ACHTUNG: Verwenden Sie nur Verlängerungskabel mit dem korrekten Nennwert für dieses Gerät.



ACHTUNG: Lassen Sie kein Wasser oder feuchten Schmutz im Absauggerät. Dies kann zu schlechten Gerüchen und mangelnder Hygiene führen.

- Schlauch mit Anschlussmuffen
- Stahlrohr
- Bodendüse
- Fugendüse
- 1 Beutel zum Aufsammeln von Schlamm

Falls eines der Teile fehlt, wenden Sie sich an Ihre lokale Servicewerkstatt.

Entsorgen Sie die Verpackung und alte Gerätekomponenten ordnungsgemäß. Beachten Sie die lokalen Entsorgungsvorschriften. Führen sie entsprechende Teile dem Recycling zu.

Allgemein

Überprüfen Sie, ob das folgende Zubehör im Lieferumfang enthalten ist:

Betrieb

Einleitung



WARNUNG: Lesen Sie vor der Benutzung des Geräts das Kapitel zur Gerätesicherheit und die Bedienungsanleitung.

Vor der Verwendung



WARNUNG: Schließen Sie den Netzstecker an eine Steckdose mit der richtigen Spannung an (siehe Typenschild).

Erdungsanweisungen



WARNUNG: Das Gerät muss geerdet sein. Bei Fehlfunktion oder Ausfall bietet die Erdung einen Weg des geringsten Widerstands für den elektrischen Strom, um die Gefahr von elektrischen Schlägen zu verringern. Das Gerät verfügt über ein Kabel, das mit Geräteerdungsleiter und Erdungsstecker ausgestattet ist. Der Stecker muss in eine geeignete Steckdose gesteckt werden, die korrekt und gemäß allen örtlichen Vorschriften und Verordnungen montiert und geerdet ist.

Den korrekten Entleerungsschlauch anschließen

Der Adapter passt für die meisten 25-mm-/1-Zoll-Schläuche.

- Verwenden Sie den beigelegten Adapter.
- Bringen Sie den Adapter an das Schlauchende an.
- Bringen Sie den Adapter an der Steckdose an.

So befestigen Sie den Saugschlauch

Am Gerät befindet sich ein Schlaucheinlass mit einer Schlauchverriegelung. Die Schlauchverriegelung sorgt dafür, dass der Saugschlauch-Adapter nicht herunterfällt.

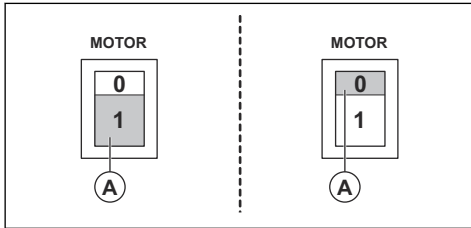
1. Heben Sie die Schlauchverriegelung an und befestigen Sie den Saugschlauch-Adapter.
2. Führen Sie die Schlauchverriegelung in die Aussparung des Adapters ein.

So befestigen Sie die Düse am Handrohr

Die Bodendüse verfügt über verstellbare Räder. Stellen Sie die Räder so ein, dass eine optimale Saugwirkung erzielt wird. Stellen Sie die Räder mit dem Knopf ein, der sich auf der Rückseite der Düse befindet. Die Räder und Gummistreifen können ausgetauscht werden. Halten Sie die Düse in einem einwandfreien Zustand.

Den W 70 starten und anhalten

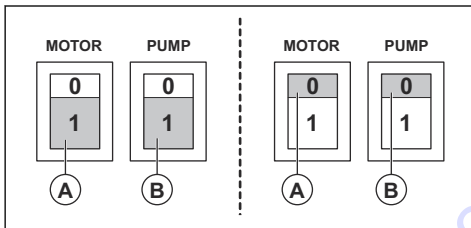
- Drücken Sie die Taste (1), um das Gerät zu starten.
- Drücken Sie die Taste (0), um das Gerät anzuhalten.



Den W 70 P und W 250 P starten und anhalten

Taste A ist der Motorschalter, und Taste B ist der Pumpschalter (siehe Abbildung).

- Drücken Sie die Taste (1), um das Gerät zu starten.
- Drücken Sie die Taste (0), um das Gerät anzuhalten.



Nach dem Gebrauch

1. Schalten Sie die Ansaugvorrichtung mit dem Schalter aus.
2. Trennen Sie das Stromkabel. Entfernen Sie nicht das Pumpkabel.
3. Leeren und reinigen Sie die Ansaugvorrichtung und das verwendete Zubehör. Siehe *So befestigen Sie den Saugschlauch auf Seite 19* und *So reinigen Sie das Gerät auf Seite 21*.

Beutel wechseln

1. Trennen Sie das Stromkabel, und entfernen Sie das Pumpkabel.
2. Lösen Sie die drei Spannverschlüsse, und entfernen Sie das Oberteil.
3. Heben Sie den Schwimmer heraus.
4. Entfernen und entsorgen Sie den alten Beutel. Beachten Sie die lokalen Vorschriften.
5. Führen Sie den neuen Beutel in das Edelstahlsieb ein.
6. Ziehen Sie die kleine Öffnung über der inneren Einlassleitung auf. Lassen Sie die Lasche über der Behälteröffnung.
7. Führen Sie die Schritte 1–3 in umgekehrter Reihenfolge durch.

Wartung

Einleitung



WARNUNG: Die meisten Unfälle ereignen sich bei der Fehlerbehebung, dem Service oder der Wartung des Geräts, weil das Wartungspersonal sich hierfür im Sicherheitsbereich des Geräts aufhalten muss. Unfälle können allein dadurch verhindert werden, dass man derartige Einsätze sorgfältig plant und dabei vorsichtig vorgeht.



WARNUNG: Bevor Sie Wartungsarbeiten am Gerät vornehmen, stellen Sie sicher, dass der Motorschalter und der Pumpschalter sich in der Aus-Stellung

befinden. Trennen Sie das Stromkabel, und entfernen Sie das Pumpkabel.



WARNUNG: Die Überprüfung elektrischer Bauteile darf ausschließlich von einem lizenzierten Elektriker durchgeführt werden.



WARNUNG: Stechen Sie nicht in den Filter. Gefahr von Staubverteilung.

Wartungsplan

Die Wartungsintervalle werden anhand der täglichen Nutzung des Geräts berechnet. Die Intervalle ändern sich, wenn das Gerät nicht täglich verwendet wird.

Wartung	Vor jedem Gebrauch	Nach jedem Gebrauch	Täglich	Wöchentlich	6 Monate oder 1000 h	12 Monate oder 2000 h
Achten Sie auf Anzeichen von Verschleiß, Beschädigung oder lockeren Anschlüssen der Bedienelemente, bevor Sie das Gerät anschließen.	X					
Leeren und reinigen Sie den Tank und das Zubehör.		X				
Kontrollieren Sie die Filter. ⁸			X			
Überprüfen Sie die Räder. Kontrollieren Sie das Gerät auf Beschädigungen und fehlerhafte Anschlüsse. Die Schwenkradsperren sollten richtig funktionieren.				X		
Überprüfen Sie die Funktion des Rückschlagventils bei den P-Varianten.				X		
Überprüfen Sie die Schlauchbefestigungen auf mechanischen Verschleiß. Stellen Sie sicher, dass alle Dichtungen richtig funktionieren.				X		
Filterwechsel ⁹						X
Überprüfen Sie die Schlauchdichtung und die Dichtung.			X			

So reinigen Sie das Gerät



WARNUNG: Stellen Sie sicher, dass sich der Motorschalter und der Pumpschalter in der Aus-Stellung befinden, bevor Sie das Gerät reinigen. Trennen Sie das Stromkabel. Entfernen Sie nicht das Pumpkabel.

Es ist wichtig, das Gerät zu reinigen, um Schäden und einer Zirkulation von gefährlichem Abfall vorzubeugen. Reinigen Sie das Gerät immer, bevor es aus dem Arbeitsbereich bewegt wird. Wenn das Gerät für andere

Zwecke verwendet werden muss, ist es äußerst wichtig, dass es gereinigt wird, um das Verbreiten von gefährlichem Material zu vermeiden.

Nachdem Schlamm durch die Pumpe geflossen ist, spülen Sie das System mit viel sauberem Wasser. Lassen Sie keinen Schlamm in der Pumpe oder am Tankboden. Dies führt zu Schäden an der Pumpe, und der Schlamm wird sich verhärtet und das System verstopfen. Wenn das Teil erst trocken und dann nass verwendet wird oder andersherum, stellen Sie sicher, dass die Filter richtig und gründlich gereinigt wurden, sodass es zu keiner Anhäufung kommt oder das System verstopft.

⁸ Dies gilt nur für W 70 und W 70 P.

⁹ Dies gilt nur für W 70 und W 70 P.

Alle Teile, die nach Servicearbeiten verunreinigt sind, müssen ordnungsgemäß in Plastiktüten entsorgt werden. Beachten Sie die lokalen Vorschriften.

- Verwenden Sie beim Reinigen des Gerätes immer geeignete persönliche Schutzausrüstung. Siehe *Persönliche Schutzausrüstung auf Seite 18*
- Reinigen Sie die äußere Oberfläche mit einem feuchten Tuch.
- Reinigen Sie die Filter und den Schlammstammler im entsprechenden Bereich.
- Spülen Sie das System mit sauberem Wasser durch, um die Pumpe gründlich zu reinigen.

Filterwechsel



WARNUNG: Tragen Sie während der Filterwechsel eine persönliche Sicherheitsausrüstung, siehe *Persönliche Schutzausrüstung auf Seite 18*. Während dem Filterwechsel kann Staub austreten.



WARNUNG: Stellen Sie vor dem Filterwechsel den Motorschalter auf Aus und trennen Sie das Kabel von der Stromversorgung.

Filter ersetzen

Nur der W 70 und W 70 P verfügen über einen Filter, um Partikel aus schlammigem Schaum herauszufiltern.

1. Trennen Sie das Stromkabel. Entfernen Sie das Pumpkabel.
2. Lösen Sie die drei Spannverschlüsse, um das Oberteil zu entfernen.
3. Heben Sie den Filterhalter mit dem Filter ab.
4. Lösen Sie die Mutter am Filterhalter, um den Filterdeckel und den Filter zu entfernen.
5. Überprüfen Sie die Dichtung am Filterhalter. Ersetzen Sie die Dichtung bei Beschädigung.
6. Montieren Sie den neuen Filter.
7. Reinigen Sie alle anderen Teile.

Schwimmer

Ein Schwimmer schützt den Motor vor Flüssigkeit.

- Führen Sie regelmäßig eine Sichtprüfung des Schwimmers durch, um sicherzustellen, dass er nicht beschädigt oder blockiert ist.

Wenn der Schwimmer aktiviert wird, muss der Motor ausgeschaltet und Wasser abgelassen werden, bevor der Motor eingeschaltet wird.

Fehlerbehebung

Problemlösung

Problem	Ursache	Lösung
Der Motor startet nicht.	Keine Stromversorgung	Schließen Sie das Gerät an.
	Kabel defekt	Ersetzen Sie das Kabel.
	Schalter defekt	Ersetzen Sie den Schalter.
Motor stoppt sofort nach dem Anlassen.	Falsche Sicherung	Verwenden Sie die richtige Sicherung.
	Kurzschluss im Kabel/Maschine	Befragen Sie den Kundendienst.
Motor läuft, aber keine Ansaugung.	Schlauch nicht angeschlossen	Schließen Sie den Schlauch an.
	Schlauch verstopft	Reinigen Sie den Schlauch.
	Der Schwimmer ist aktiviert.	Prüfen Sie den Wasserstand, und untersuchen Sie den Schwimmer auf Schäden.

Problem	Ursache	Lösung
Der Motor läuft, aber die Saugleistung ist gering.	Loch im Schlauch	Ersetzen Sie den Schlauch.
	Filter verstopft	Reinigen/ersetzen Sie den Filter
	Lose Saugereinheit	Stellen Sie sie ein.
	Schmutz im Schlauch oder Einlass	Reinigen Sie den Schlauch und den Einlass.
	Defekte Dichtungen	Ersetzen Sie die betroffenen Dichtungen.
	Blockiertes oder defektes Rückschlagventil	Reinigen oder ersetzen Sie das Rückschlagventil.
Staub wird aus Motor ausgeblasen	Falsch montiertes oder beschädigtes Filtersystem ¹⁰	Stellen Sie den Filter ein, oder ersetzen Sie ihn.
Schlechtes Pumpen	Die Pumpe oder Rohre sind blockiert. ¹¹	Reinigen Sie die Pumpe, das Rückschlagventil und den Schlauch.
Ungewöhnliche Geräusche		Beauftragen Sie den Kundendienst.

Transport, Lagerung und Entsorgung

Transport des Gerätes

- Das Teil muss während des Transports sicher befestigt sein.
 - Wo möglich, transportieren Sie es immer in einem geschlossenen Fahrzeug.
 - Vermeiden Sie Transporte bei widrigen Witterungsbedingungen.
 - Benutzen Sie vorsichtshalber Rampen oder Winden zum Anheben des Staubabsaugers. Holen Sie sich Hilfe, wenn Sie sich nicht sicher sind, wie Sie schwere Geräte anheben sollen.
 - Verriegeln Sie die Laufrollen ordnungsgemäß.
 - Achten Sie beim Transport der Schneidausrüstung darauf, dass diese nicht beschädigt wird.
 - Es wird empfohlen, das Gerät wo möglich aufrecht zu transportieren.
 - Es wird empfohlen, das Gerät vor dem Transport zu leeren.
- Setzen Sie das Gerät weder Regen noch Feuchtigkeit aus.
 - Verriegeln Sie die Laufrollen ordnungsgemäß. Dies gilt nur für W 70 und W 70 P.
 - Trennen Sie das Gerät von der Stromversorgung.
 - Lagern Sie das Gerät und die Ausrüstung in einem trockenen Bereich ohne Frost oder übermäßige Hitze.
 - Lagern Sie die Ausrüstung in einem verschlossenen Raum, sodass sie für Kinder und Unbefugte unzugänglich ist.

So entsorgen Sie das Gerät

- Befolgen Sie die örtlichen Recyclinganforderungen und geltenden Vorschriften.
- Wenn Sie das Gerät nicht mehr benutzen, senden Sie es an einen -Händler oder entsorgen Sie es bei einer Recyclingstelle.

Lagerung des Geräts

- Das Gerät muss geschützt in geschlossenen Räumen aufbewahrt werden.
- Nasse Filter und der Innenbereich des Flüssigkeitsbehälters müssen vor der Lagerung getrocknet werden.

¹⁰ Dies gilt nur für W 70 und W 70 P.

¹¹ Dies gilt nur für W 70 P und W 250 P.

Technische Daten

Technische Angaben

Daten	W 70 110 V	W 70 230 V	W 70 P 110 V	W 70 P 230 V	W 250 P 230 V
Spannung (1-phasig), V	110-120	220-230	110-120	220-230	220-230
Frequenz, Hz	50-60	50-60	50	50-60	50
Motorleistung, kW (HP)	1,2 (1,6)	1,2 (1,6)	1,8 (2,4)	1,85 (2,5)	1,55 (2,1)
Stromstärke (max.), A	8	5	15	8	5
Luftstrom, m ³ /h (CFM)	200 (118)	200 (118)	200 (118)	200 (118)	160 (95)
Vakuum, kPa (psi)	24 (94)	22 (88)	24 (94)	22 (88)	22 (88)
Wasserhub, m (in.)	2,5 (100)	2,3 (90)	2,5 (100)	2,3 (90)	2,3 (90)
Durchmesser Hauptschlauch, mm (in.)	38 (1,5)	38 (1,5)	38 (1,5)	38 (1,5)	38 (1,5)
Länge Hauptschlauch, m (ft)	3 (10)	3 (10)	3 (10)	3 (10)	3 (10)
Einlassdurchmesser, mm	38 (1,5)	38 (1,5)	38 (1,5)	38 (1,5)	38 (1,5)
Filter (Ja/Nein)	Ja	Ja	Ja	Ja	Nein
Filterbereich m ² (ft ²)	0,6 (6,5)	0,6 (6,5)	0,6 (6,5)	0,6 (6,5)	N/A
Staubauffangsystem (Typ), l (gal)	Einwegbeutel oder Edelstahlbehälter, 70 (18,5)	Einwegbeutel oder Edelstahlbehälter, 70 (18,5)	Einwegbeutel oder Edelstahlbehälter, 70 (18,5)	Einwegbeutel oder Edelstahlbehälter, 70 (18,5)	Einwegbeutel oder Edelstahlbehälter, 29 (7,66)
Saugpumpe (Ja/Nein)	Nein	Nein	Ja	Ja	Ja
Pumpenleistung (max.), kW (PS)	N/A	N/A	0,6 (0,8)	0,65 (0,87)	0,35 (0,47)
Stromstärke der Pumpe, (max.) A	N/A	N/A	5	3	1,6
Pumpenwasserhub, m (ft)	N/A	N/A	9 (30)	9 (30)	6 (20)
Pumpenförderleistung, l/min (gal/min)	N/A	N/A	204 (54)	260 (69)	150 (39)
Abmessungen (LxBxH), mm (in.)	600x570x1250 (23,6x22,4x49,2)	600x570x1250 (23,6x22,4x49,2)	600x570x1250 (23,6x22,4x49,2)	600x570x1250 (23,6x22,4x49,2)	530x520x910 (20,9x20,5x35,8)
Gewicht, kg (lbs)	34 (75)	34 (75)	44 (97)	44 (97)	27 (59)
Schallleistungspegel, L _{WA} gemessen, dB(A) ¹²	86	86	86	86	85

¹² Umweltbelastende Geräuschemission gemessen als Schallleistung (LWA) gemäß EN 60335-2-69. Unsicherheit KWA 2 dB.

Daten	W 70 110 V	W 70 230 V	W 70 P 110 V	W 70 P 230 V	W 250 P 230 V
Schalldruckpegel L_{PA} am Ohr des Bedieners, dB(A) ¹³	76	76	76	76	74
Vibrationspegel a_h , m/s ² ¹⁴	≤2,5				

To order go to Discount-Equipment.com

¹³ Schalldruckpegel gemäß EN 60335-2-69. Unsicherheit KpA 2 dB.

¹⁴ Vibrationspegel gemäß EN 60335-2-69. Berichten zufolge liegt der Vibrationspegel normalerweise bei einer Ausbreitungsklasse (Standardabweichung) von 1 m/s².

Sommaire

Introduction.....	27	Dépannage.....	36
Sécurité.....	31	Transport, entreposage et mise au rebut.....	37
Montage.....	33	Caractéristiques techniques.....	38
Utilisation.....	33	Déclaration de conformité CE.....	40
Entretien.....	34		

Introduction

Description du produit

Le Husqvarna Wet industrial vacuum cleaner est un slurry collector. Les liquides sont aspirés par la soupape d'admission à grande vitesse via le tuyau d'aspiration et sont recueillis dans un réservoir. Les modèles disposant de pompes offrent la possibilité d'évacuer le liquide via la pompe d'évacuation.

Sur les modèles non équipés de pompe d'évacuation, le liquide peut être évacué via la soupape d'évacuation.

Un flotteur protège le moteur du liquide.

Les modèles W 70 et W 70 P comprennent un filtre supplémentaire pour séparer les boues des particules.

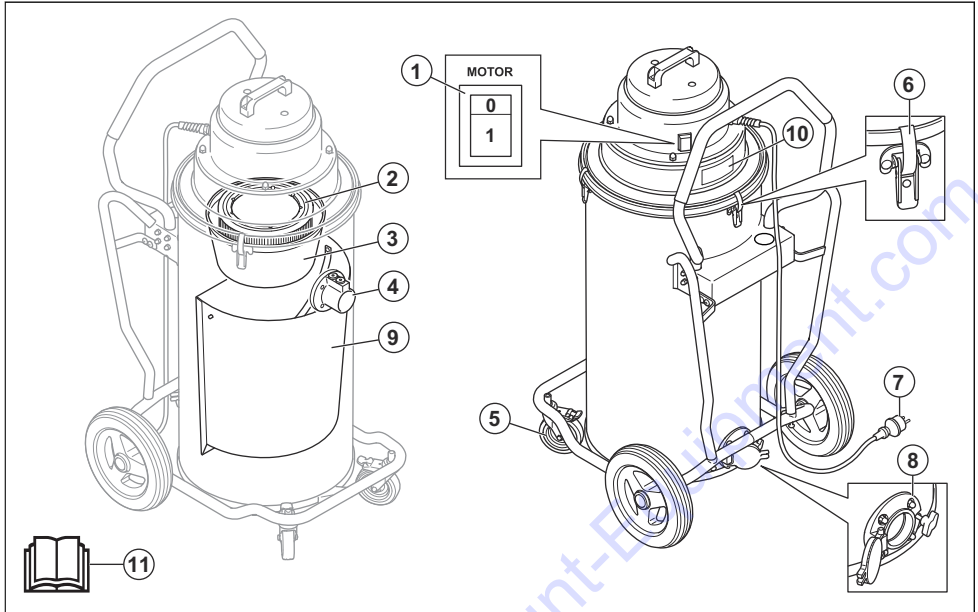
Pour protéger le produit et prolonger sa durée de vie, il est recommandé de toujours utiliser des sacs pour recueillir et filtrer les plus grosses particules.

Utilisation prévue

Ce produit est destiné à un usage domestique et commercial, par exemple dans les hôtels, les écoles, les hôpitaux, les usines, les magasins, bureaux et entreprises de location pour aspirer et recueillir des liquides non explosifs, inflammables ou combustibles.

Les modèles W 70 et W 70 P peuvent être temporairement utilisés pour des applications à sec. Dans ce cas, vous devez toujours utiliser des sacs pour application à sec et remplacer le filtre par un Hepa filter, qui est vendu comme accessoire.

Présentation du produit W 70



TO PURCHASE THIS PRODUCT PLEASE CONTACT US



**Equipment Financing and
Extended Warranties Available**



**Discount-Equipment.com is your online resource for
commercial and industrial quality parts and equipment sales.**

561-964-4949

visit us on line @ www.discount-equipment.com

Select an option below to find your Equipment

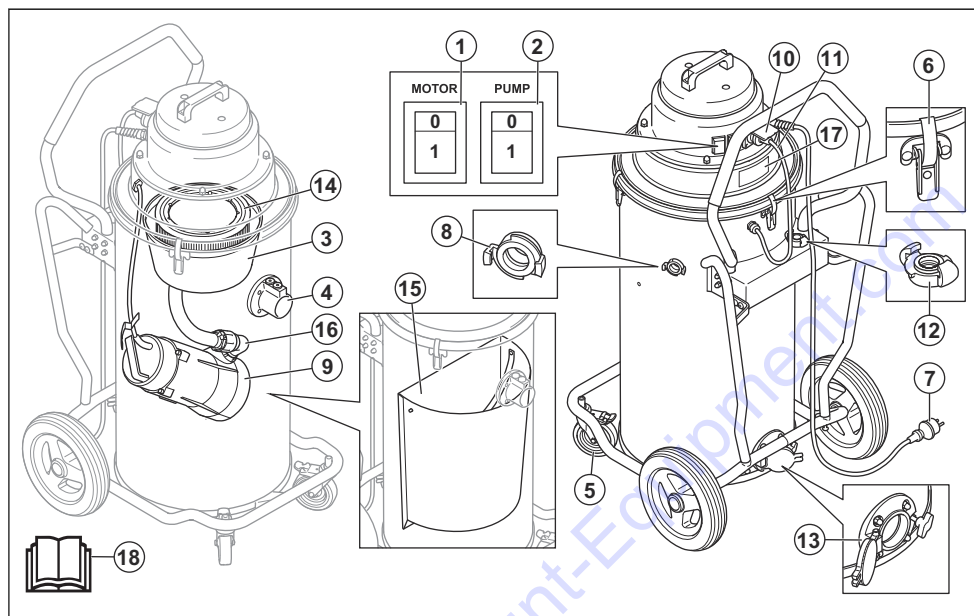
Search by Manufacturer

Search by Product Type

Request a Quote

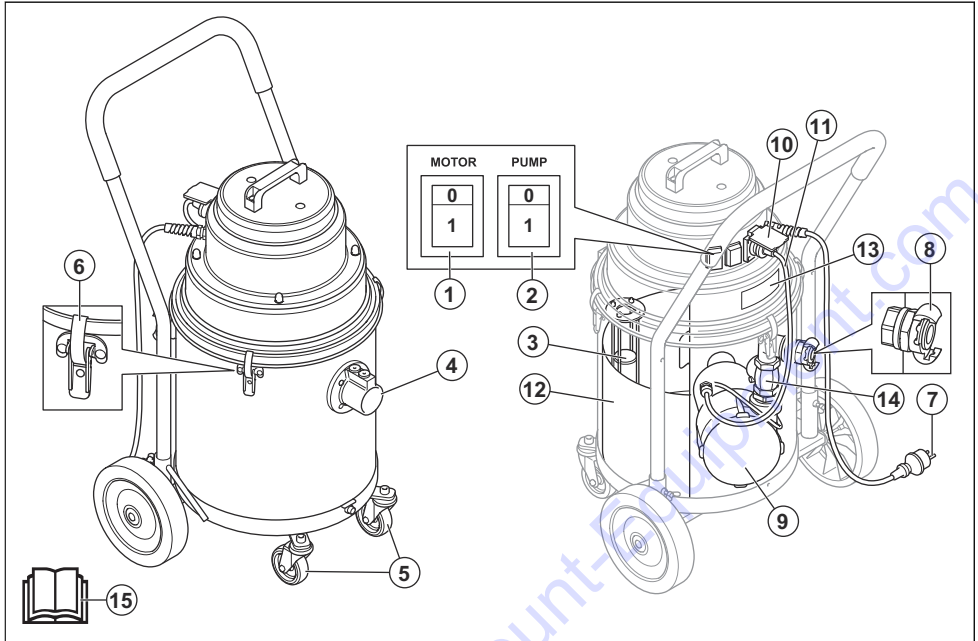
We sell worldwide for the brands: Genie, Terex, JLG, MultiQuip, Mikasa, Essick, Whiteman, Mayco, Toro Stone, Diamond Products, Generac Magnum, Airman, Haulotte, Barreto, Power Blanket, Nifty Lift, Atlas Copco, Chicago Pneumatic, Allmand, Miller Curber, Skyjack, Lull, Skytrak, Tsurumi, Husquvarna Target, Stow, Wacker, Sakai, Mi-T-M, Sullair, Basic, Dynapac, MBW, Weber, Bartell, Bennar Newman, Haulotte, Ditch Runner, Menegotti, Morrison, Contec, Buddy, Crown, Edco, Wyco, Bomag, Laymor, EZ Trench, Bil-Jax, F.S. Curtis, Gehl Pavers, Heli, Honda, ICS/PowerGrit, IHI, Partner, Imer, Clipper, MMD, Koshin, Rice, CH&E, General Equipment, Amida, Coleman, NAC, Gradall, Square Shooter, Kent, Stanley, Tamco, Toku, Hatz, Kohler, Robin, Wisconsin, Northrock, Oztec, Toker TK, Rol-Air, APT, Wylie, Ingersoll Rand / Doosan, Innovatech, Con X, Ammann, Mecalac, Makinex, Smith Surface Prep, Small Line, Wanco, Yanmar

Présentation du produit W 70 P



- | | |
|---|--|
| 1. Interrupteur de marche/arrêt du moteur | 10. Prise pour le câble de la pompe |
| 2. Interrupteur de marche/arrêt de la pompe | 11. Câble de la pompe |
| 3. Flotteur | 12. Adaptateur pour tuyau d'évacuation |
| 4. Soupape d'admission | 13. Soupape d'évacuation |
| 5. Roulettes verrouillables | 14. Filtre |
| 6. Fixation à bascule | 15. Tamis en acier inoxydable |
| 7. Câble d'alimentation | 16. Clapet antiretour |
| 8. Sortie | 17. Plaque d'identification |
| 9. Pompe | 18. Manuel d'utilisation |

Présentation du produit W 250 P



1. Interrupteur de marche/arrêt du moteur
2. Interrupteur de marche/arrêt de la pompe
3. Flotteur
4. Soupape d'admission
5. Roulettes
6. Fixation à bascule
7. Câble d'alimentation
8. Sortie
9. Pompe
10. Prise pour le câble de la pompe
11. Câble de la pompe
12. Tamis en acier inoxydable
13. Plaque d'identification
14. Clapet antiretour
15. Manuel d'utilisation

Symboles concernant le produit



Lisez attentivement et assimilez le manuel d'utilisation avant d'utiliser le produit.



Portez un masque respiratoire homologué en toutes circonstances.



Portez des protège-oreilles homologués en toutes circonstances.



Portez des protections pour les yeux homologuées en toutes circonstances.

Responsabilité

Conformément à la loi sur la responsabilité du fait des produits, nous déclinons toute responsabilité pour tout dommage causé par notre produit si :

- le produit n'est pas correctement réparé ;
- le produit est réparé avec des pièces qui ne proviennent pas du fabricant ou qui ne sont pas homologuées par le fabricant ;
- le produit est équipé d'un accessoire qui ne provient pas du fabricant ou qui n'est pas homologué par le fabricant ;
- le produit n'est pas réparé par un centre d'entretien agréé ou par une autorité homologuée.

Sécurité

Définitions de sécurité

Des avertissements, des recommandations et des remarques sont utilisés pour souligner des parties spécialement importantes du manuel.



AVERTISSEMENT: Symbole utilisé en cas de risque de blessures ou de mort pour l'opérateur ou les personnes à proximité si les instructions du manuel ne sont pas respectées.



REMARQUE: Symbole utilisé en cas de risque de dommages pour le produit, d'autres matériaux ou les environs si les instructions du manuel ne sont pas respectées.

Remarque: Symbole utilisé pour donner des informations supplémentaires pour une situation donnée.

Instructions générales de sécurité



AVERTISSEMENT: Lisez les avertissements avant d'utiliser le produit.

- Lisez attentivement le manuel de l'opérateur et assimilez-le avant d'utiliser ce produit. Conservez toutes ces consignes et instructions pour toute consultation ultérieure.
- Assurez-vous de lire attentivement et de bien comprendre les instructions relatives au produit principal afin de savoir quels équipements personnels porter, quels équipements de sécurité utiliser et comment travailler en toute sécurité.
- Soyez toujours prudent et utilisez votre bon sens. En cas de doute ou de difficulté quant à l'utilisation de la machine, consultez un spécialiste. Veuillez contacter votre revendeur, votre atelier de réparation ou un utilisateur expérimenté. L'utilisateur doit éviter d'utiliser la machine s'il ne se sent pas suffisamment qualifié pour le travail à effectuer !
- N'oubliez pas que c'est vous, l'opérateur, qui êtes responsable de protéger les tiers et leurs biens de tout accident ou danger.
- Le produit doit rester propre. Les signes et autocollants doivent être parfaitement lisibles.
- Ne manipulez pas la fiche ou la machine avec les mains mouillées.
- Ce produit n'est pas destiné à être utilisé par des personnes (ou des enfants) aux capacités physiques, sensorielles ou mentales limitées ou manquant d'expérience et de connaissances.

- N'utilisez jamais un produit qui n'est pas en parfait état de marche. Appliquez les instructions de maintenance et d'entretien ainsi que les contrôles de sécurité indiqués dans ce manuel d'utilisation. Certaines opérations de maintenance et d'entretien doivent être réalisées par un spécialiste dûment formé et qualifié. Reportez-vous à la section *Entretien à la page 34*.

Instructions relatives à la sécurité électrique



AVERTISSEMENT: Lisez les instructions qui suivent avant d'utiliser le produit.

- Le produit est équipé d'une protection thermique de sécurité afin d'éviter toute surchauffe du moteur. Si la protection thermique s'active, arrêtez la machine, débranchez le cordon d'alimentation et vérifiez si le sac à poussière est plein, si le tuyau d'aspiration est bouché ou si le filtre est colmaté. 45 minutes maximum peuvent être nécessaires pour la réinitialisation de la protection thermique.
- Avant d'utiliser le produit, assurez-vous que la puissance et la tension correspondent aux données indiquées sur la plaque signalétique de la machine, y compris pour les rallonges électriques.
- Branchez-le uniquement sur une prise mise correctement à la terre. Reportez-vous à la section *Instructions de mise à la terre à la page 33*.
- Un mauvais branchement du fil de mise à la terre peut provoquer un choc électrique. Faites vérifier par un électricien professionnel ou par la personne chargée de l'entretien que la prise est correctement mise à la terre. Ne modifiez pas la fiche fournie ; si elle n'est pas compatible avec la prise, demandez à un électricien diplômé d'installer une prise qui convienne.
- Si vous utilisez une rallonge électrique, assurez-vous que son calibre est adapté à la machine.
- Les câbles endommagés par écrasement ou entaillés peuvent être dangereux et doivent être remplacés immédiatement.
- N'utilisez pas la machine si le cordon d'alimentation ou la fiche est endommagé(e). Si elle ne fonctionne pas correctement, est tombée, a été endommagée, oubliée dehors ou plongée dans l'eau. Assurez-vous de la faire réparer par une personne qualifiée pour éviter tout accident.
- Contrôlez régulièrement le cordon et la fiche pour détecter d'éventuels dommages. N'utilisez pas la machine si le cordon d'alimentation ou la fiche est endommagé(e).
- Évitez de tirer et de transporter la machine par le cordon, d'utiliser le cordon comme poignée, de

coincer le cordon dans une porte et de tirer le cordon sur des bords ou des coins tranchants. Ne laissez pas l'équipement rouler sur le cordon. Maintenez le cordon à l'écart de surfaces chauffantes.

- Ne tirez pas sur le cordon pour débrancher la machine. Tirez sur la fiche.
- Ne laissez pas la machine sans surveillance lorsqu'elle est branchée. Débranchez le cordon lorsque la machine n'est pas utilisée et avant de la nettoyer ou de la réparer.

Consignes de sécurité pour l'assemblage



AVERTISSEMENT: Lisez les instructions et les mises en garde qui suivent avant d'assembler le produit.

- Ne remplacez pas une pièce du produit sans l'approbation du fabricant.
- Les modifications et accessoires non autorisés peuvent entraîner des blessures graves, voire mortelles à l'utilisateur ou aux autres personnes présentes.
- Utilisez uniquement la machine tel que décrit dans ce manuel. Utilisez uniquement des accessoires recommandés par le fabricant.
- Utilisez exclusivement des accessoires et des pièces d'origine.
- La zone d'assemblage doit être ferme afin que l'extracteur de poussière ne se renverse pas. Risques de blessures et de dégâts matériels.
- Faites preuve de prudence, car les fixations à bascule peuvent vous blesser lors de l'assemblage du produit.

Instructions de sécurité pour le fonctionnement



AVERTISSEMENT: Lisez les instructions qui suivent avant d'utiliser le produit.



AVERTISSEMENT: si de la mousse ou du liquide s'échappe de la machine, éteignez-la immédiatement.



AVERTISSEMENT: ce produit n'est pas adapté pour ramasser la poussière dangereuse.

- Le produit ne doit pas être utilisé dans des milieux exposés à des gaz explosifs.
- N'aspirez aucun corps incandescent ou fumant, tels que cigarettes, allumettes ou cendres chaudes.
- Le produit ne doit pas servir à aspirer des liquides inflammables ou combustibles, tels que de

l'essence, ni être utilisé dans des zones où ces éléments peuvent être présents.

- Ne placez aucun objet dans les orifices. N'utilisez pas le produit si l'un de ses orifices est bouché. Maintenez la machine propre, exempte de poussière, de cheveux et de tout corps susceptible de réduire le flux d'air.
- Le tuyau d'aspiration ne doit pas être dirigé en direction de votre corps ou de celui des autres personnes présentes lorsque la machine est en marche. Ne placez pas vos mains ou autres parties de votre corps contre l'orifice d'aspiration si le tuyau d'aspiration n'est pas installé.
- Les cheveux, vêtements amples, doigts et autres parties du corps doivent être tenus à l'écart des ouvertures et des pièces mobiles.
- N'utilisez pas le produit pour une application à sec sans sac à poussière ou sans filtres.
- Il convient de surveiller les enfants et de les empêcher de jouer avec l'appareil.
- N'utilisez pas la machine comme un jouet. Une attention particulière est nécessaire lorsque le produit est utilisé par des enfants ou à proximité d'enfants.
- Les opérateurs doivent être suffisamment formés à l'utilisation du produit.
- Désactivez toutes les commandes avant de débrancher la machine.
- Afin de réduire les risques de choc électrique, installez toujours le flotteur avant d'utiliser le produit sur une surface humide.
- Faites preuve d'une extrême prudence lors du nettoyage d'escaliers.
- Tenez les enfants et les personnes non autorisées à l'écart de ce produit lors de son utilisation.
- Afin de réduire les risques de choc électrique, n'exposez pas le produit à la pluie. Entreposez la machine à l'intérieur.
- Remplacez le système de collecte ou les filtres comme décrit dans ce manuel. Reportez-vous à la section *Remplacement des filtres à la page 36*.

Équipement de protection individuelle



AVERTISSEMENT: Lisez les instructions qui suivent avant d'utiliser le produit.

- De la poussière nocive peut se répandre lors du remplacement des sacs et du filtre. Par conséquent, l'utilisateur doit porter des lunettes de protection, des gants de protection et un masque respiratoire conformes à la protection class FFP3.

Instructions de sécurité pour l'entretien



AVERTISSEMENT: Lisez les instructions qui suivent avant d'utiliser le produit.



REMARQUE: nettoyez régulièrement le dispositif de limitation du niveau d'eau et vérifiez qu'il n'est pas endommagé.

- Toutes les réparations doivent être effectuées par un technicien qualifié. Utilisez uniquement les pièces de

rechange fournies par le fabricant ou des pièces équivalentes.

- Lorsque le produit est soulevé, assurez-vous que le conteneur de déchets est vide et que personne ne se trouve en dessous du produit.

Montage

Introduction



REMARQUE: Utilisez uniquement une rallonge à la valeur nominale adéquate pour ce produit.



REMARQUE: Ne laissez pas d'eau ou de débris humides dans l'appareil d'aspiration. Cela pourrait entraîner des odeurs désagréables et des problèmes d'hygiène.

Généralités

Vérifiez que les accessoires suivants sont inclus :

- Tuyau avec raccords d'extrémité
- Tube en acier
- Brosse pour le sol
- Suceur plat
- 1 sac de collecte de boue

S'il manque une pièce, contactez l'atelier spécialisé le plus proche de chez vous.

Assurez-vous de mettre au rebut l'emballage et les composants usagés du produit convenablement. Reportez-vous aux réglementations locales en termes de mise au rebut. Assurez-vous de recycler les composants.

Utilisation

Introduction



AVERTISSEMENT: avant d'utiliser la machine, veillez à bien lire et comprendre le chapitre sur la sécurité et les instructions de montage.

Avant chaque utilisation



AVERTISSEMENT: Branchez la fiche d'alimentation à une prise de courant de tension appropriée. Pour cela, reportez-vous à la plaque signalétique.

Instructions de mise à la terre



AVERTISSEMENT: Le produit doit être mis à la terre. En cas de panne ou de dysfonctionnement de la machine, la mise à la terre fournit un chemin de moindre résistance pour le courant électrique afin de réduire le risque de choc électrique. Le produit est équipé d'un cordon d'alimentation doté d'un fil de mise à la terre et d'une fiche de mise à la terre. La fiche doit être insérée dans une prise appropriée correctement installée et mise à la terre conformément aux normes et aux réglementations locales.

Raccordement du tuyau d'évacuation approprié

L'adaptateur peut être raccordé à la plupart des tuyaux 25 mm/1 pouce.

- Utilisez l'adaptateur fourni.
- Raccordez l'adaptateur à l'extrémité du tuyau.
- Fixez l'adaptateur à la sortie.

Pour fixer le tuyau d'aspiration

L'orifice du tuyau, doté d'un clapet, se trouve sur le produit. Le clapet permet de s'assurer que l'adaptateur du tuyau d'aspiration ne tombe pas.

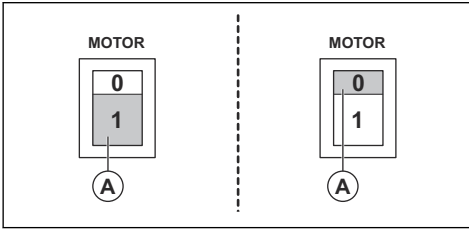
1. Soulevez le clapet et fixez l'adaptateur du tuyau d'aspiration.
2. Abaissez le clapet dans l'évidement de l'adaptateur.

Pour installer la brosse sur le tuyau à main

La brosse pour le sol est dotée de roues réglables. Réglez les roues afin d'obtenir le meilleur effet d'aspiration. Réglez les roues avec le bouton situé à l'arrière de la buse. Les roues et les bandes de caoutchouc de la brosse sont remplaçables. Maintenez la brosse en bon état.

Démarrage et arrêt du W 70

- Appuyez sur le bouton (1) pour démarrer le produit.
- Appuyez sur le bouton (0) pour arrêter le produit.



Après utilisation

1. Éteignez l'appareil d'aspiration à l'aide de l'interrupteur.
2. Débranchez le cordon d'alimentation. Ne retirez pas le câble de la pompe.
3. Videz et nettoyez l'appareil d'aspiration ainsi que les accessoires. Reportez-vous à *Pour fixer le tuyau d'aspiration à la page 33* et *Nettoyage du produit à la page 35*.

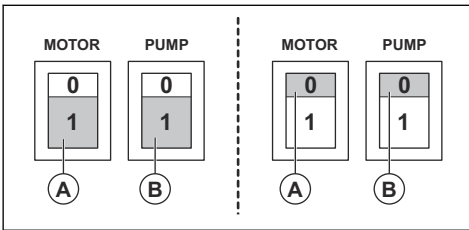
Remplacement du sac

1. Débranchez le cordon d'alimentation et retirez le câble de la pompe.
2. Desserrez les 3 attaches à bascule et retirez la partie supérieure.
3. Soulevez le flotteur.
4. Enlevez et jetez l'ancien sac. Reportez-vous à la législation locale.
5. Insérez le nouveau sac dans le tamis en acier inoxydable.
6. Vissez le tuyau d'admission interne sur la petite ouverture. Laissez reposer la languette sur le bord du conteneur.
7. Répétez les étapes 1 à 3 dans l'ordre inverse.

Démarrage et arrêt du W 70 P et du W 250 P

Sur la figure, l'interrupteur du moteur correspond au bouton A et celui de la pompe au bouton B.

- Appuyez sur le bouton (1) pour démarrer le produit.
- Appuyez sur le bouton (0) pour arrêter le produit.



Entretien

Introduction



AVERTISSEMENT: La plupart des accidents impliquant des machines se produisent lors de dépannages, de réparations ou de travaux d'entretien, lorsqu'un membre du personnel doit pénétrer dans la zone de risque de la machine. Soyez attentif et préparez le travail pour éviter les accidents.



AVERTISSEMENT: Avant de procéder à l'entretien du produit, assurez-vous que l'interrupteur du moteur et l'interrupteur de la pompe sont en position Off (arrêt).

Débranchez le cordon d'alimentation et retirez le câble de la pompe.



AVERTISSEMENT: Toutes les vérifications concernant les composants électriques doivent être effectuées uniquement par un électricien agréé.



AVERTISSEMENT: Ne percez pas le filtre. Risque de dispersion de la poussière.

Calendrier de maintenance

Les intervalles d'entretien sont calculés selon une utilisation quotidienne du produit. Les intervalles sont différents si le produit n'est pas utilisé tous les jours.

Entretien	Avant chaque utilisation	Après chaque utilisation	Au quotidien	Toutes les semaines	6 mois ou 1 000 h	12 mois ou 2 000 h
Recherchez des signes d'usure, de dommages ou des raccords desserrés des commandes avant de brancher l'unité.	X					
Videz et nettoyez le réservoir ainsi que les accessoires.		X				
Vérifiez le fonctionnement des filtres. ¹⁵			X			
Vérifiez les roues. Recherchez des dommages et de mauvais raccords. Les verrous des roulettes doivent fonctionner correctement.				X		
Vérifiez le fonctionnement du clapet antiretour sur les modèles équipés de pompes.				X		
Vérifiez que les accessoires des tuyaux ne présentent pas de signes d'usure mécanique. Assurez-vous que le joint d'étanchéité fonctionne correctement.				X		
Remplacement du filtre ¹⁶						X
Vérifiez l'état et l'étanchéité du joint du tuyau.			X			

Nettoyage du produit



AVERTISSEMENT: Avant de nettoyer le produit, assurez-vous que l'interrupteur du moteur et l'interrupteur de la pompe sont en position Off (arrêt). Débranchez le cordon d'alimentation. Ne retirez pas le câble de la pompe

Il est important de nettoyer le produit afin de prévenir des dommages et d'éviter la circulation de déchets dangereux. Nettoyez toujours le produit avant de le déplacer de la zone de travail. Si le produit doit être

utilisé à d'autres fins, il est extrêmement important de le nettoyer afin d'éviter la propagation de déchets dangereux.

Après avoir aspiré de la boue avec la pompe, rincez abondamment le système avec de l'eau claire. Ne laissez pas de boue dans la pompe ou dans le fond du réservoir. En durcissant, elle risquerait d'endommager la pompe et de boucher le système. Lors du passage d'une utilisation à sec à une application humide ou inversement, assurez-vous que les filtres sont correctement nettoyés pour éviter une accumulation de déchets ou un bouchon dans le système.

¹⁵ S'applique uniquement aux modèles W 70 et W 70 P.

¹⁶ S'applique uniquement aux modèles W 70 et W 70 P.

Une fois la maintenance terminée, toutes les pièces contaminées doivent être mises au rebut convenablement dans des sacs en plastique. Reportez-vous à la législation locale.

- Utilisez un équipement de protection individuel approprié lorsque vous nettoyez le produit. Reportez-vous à *Équipement de protection individuelle à la page 32*
- Nettoyez la surface externe avec un chiffon humide.
- Nettoyez les filtres et le collecteur de boue dans un endroit approprié.
- Rincez soigneusement le système à l'eau claire pour nettoyer la pompe.

Remplacement du filtre



AVERTISSEMENT: Lors du remplacement du filtre, utilisez un équipement de protection individuelle, reportez-vous à la section *Équipement de protection individuelle à la page 32*. De la poussière peut s'échapper lors du remplacement du filtre.



AVERTISSEMENT: Mettez toujours l'interrupteur de moteur en position d'arrêt et

débranchez le cordon de la prise murale lors du remplacement du filtre.

Remplacement des filtres

Seuls les modèles W 70 et W 70 P sont dotés d'un filtre pour séparer les boues des particules.

1. Débranchez le cordon d'alimentation. Retirez le câble de la pompe.
2. Desserrez les 3 attaches à bascule pour retirer la partie supérieure.
3. Soulevez le support du filtre avec le filtre à l'intérieur.
4. Desserrez l'écrou sur le support du filtre et retirez le capuchon du filtre ainsi que le filtre.
5. Vérifiez l'état du joint situé sur le support du filtre. Remplacez le joint s'il est endommagé.
6. Montez le filtre neuf.
7. Nettoyez toutes les autres pièces.

Flotteur

Un flotteur protège le moteur du liquide.

- Inspectez visuellement l'état du flotteur de manière régulière pour vérifier qu'il n'est pas endommagé ni obstrué.

Lorsque le flotteur est activé, le moteur doit être éteint et l'eau doit être évacuée avant l'allumage du moteur.

Dépannage

Guide de dépannage

Problème	Cause	Solution
Le moteur ne démarre pas	Absence de courant	Connectez le produit
	Câble défectueux	Remplacez le câble
	Interrupteur défectueux	Remplacez l'interrupteur
Le moteur s'arrête immédiatement après le démarrage	Mauvais fusible	Installez un fusible adapté
	Court-circuit dans le câble/machine	Faites examiner l'appareil
Le moteur tourne, mais il n'y a pas d'aspiration	Tuyau non raccordé	Branchez le tuyau
	Tuyau obstrué	Nettoyez le tuyau
	Flotteur activé.	Vérifiez que le flotteur n'est pas endommagé et contrôlez le niveau d'eau.

Problème	Cause	Solution
Le moteur tourne, mais l'aspiration est faible	Tuyau perforé	Remplacez le tuyau
	Filtre bouché	Nettoyez/remplacez le filtre
	Unité d'aspiration desserrée	Réglez
	Présence de poussière dans le tuyau ou l'admission	Nettoyez le tuyau et l'admission
	Jointes défectueux	Remplacez les joints concernés
	Clapet antiretour bloqué ou défectueux.	Nettoyez ou remplacez le clapet antiretour.
De la poussière s'échappe du moteur	Système de filtre endommagé ou mal assemblé ¹⁷	Réglez/remplacez les filtres
Mauvais pompage	La pompe ou les tubes sont bouchés ¹⁸	Nettoyez la pompe, le clapet antiretour et le tuyau
Bruit anormal		Faites examiner l'appareil

Transport, entreposage et mise au rebut

Transport du produit

- L'unité doit être solidement fixée pendant le transport.
- Dans la mesure du possible, effectuez toujours le transport dans un véhicule fermé.
- Évitez de transporter le produit en cas de conditions météorologiques défavorables.
- Utilisez des rampes ou des treuils pour soulever l'extracteur de poussière et vous assurer que les mouvements sont sûrs. Demandez de l'aide si vous avez des doutes concernant le levage des équipements lourds.
- Verrouillez les roulettes pour plus de sécurité.
- Sécurisez l'équipement lors du transport afin d'éviter tout dommage ou accident.
- Il est recommandé de transporter le produit en position verticale dans la mesure du possible.
- Il est recommandé de vider le produit avant de le transporter.

Stockage du produit

- Le produit doit être stocké à l'intérieur, à l'abri des éléments extérieurs.
- Les filtres humides et la partie intérieure du réservoir de liquide doivent être séchés avant le remisage.
- Protégez le produit de la pluie et de l'humidité.
- Fixez les roulettes pour plus de sécurité. S'applique uniquement aux modèles W 70 et W 70 P.

- Débranchez le produit de la source d'alimentation.
- Conservez le produit et l'équipement dans un endroit sec, à l'abri du gel et des chaleurs excessives.
- Entrez le produit dans un endroit qui peut être fermé à clé, de façon à ce qu'il soit inaccessible aux enfants et aux personnes non autorisées.

Mise au rebut du produit

- Respectez les consignes locales de recyclage et la réglementation en vigueur.
- Lorsque vous n'utilisez plus le produit, renvoyez-le au concessionnaire ou mettez-le au rebut dans une déchetterie.

¹⁷ S'applique uniquement aux modèles W 70 et W 70 P.

¹⁸ S'applique uniquement aux modèles W 70 P et W 250 P.

Caractéristiques techniques

Caractéristiques techniques

Caractéristiques	W 70 110 V	W 70 230 V	W 70 P 110 V	W 70 P 230 V	W 250 P 230 V
Tension (monophasé), V	110-120	220-230	110-120	220-230	220-230
Fréquence, Hz	50-60	50-60	50	50-60	50
Puissance maximale, kW (HP)	1,2 (1,6)	1,2 (1,6)	1,8 (2,4)	1,85 (2,5)	1,55 (2,1)
Courant (maxi.), A	8	5	15	8	5
Débit d'air, m ³ /h (pi ³ /min)	200 (118)	200 (118)	200 (118)	200 (118)	160 (95)
Dépression, kPa (psi)	24 (94)	22 (88)	24 (94)	22 (88)	22 (88)
Élévation d'eau, m (po)	2,5 (100)	2,3 (90)	2,5 (100)	2,3 (90)	2,3 (90)
Diamètre du tuyau principal, mm (po)	38 (1,5)	38 (1,5)	38 (1,5)	38 (1,5)	38 (1,5)
Longueur du tuyau principal, m (pi)	3 (10)	3 (10)	3 (10)	3 (10)	3 (10)
Diamètre de l'admission, mm (po)	38 (1,5)	38 (1,5)	38 (1,5)	38 (1,5)	38 (1,5)
Filtre (oui/non)	Oui	Oui	Oui	Oui	Non
Zone du filtre, m ² (pi ²)	0,6 (6,5)	0,6 (6,5)	0,6 (6,5)	0,6 (6,5)	N/A
Système de collecte de poussière (type), l (gal)	Sac jetable ou conteneur en acier inoxydable, 70 (18,5)	Sac jetable ou conteneur en acier inoxydable, 70 (18,5)	Sac jetable ou conteneur en acier inoxydable, 70 (18,5)	Sac jetable ou conteneur en acier inoxydable, 70 (18,5)	Sac jetable ou conteneur en acier inoxydable, 29 (7,66)
Pompe d'évacuation (oui/non)	Non	Non	Oui	Oui	Oui
Puissance de la pompe (maxi.), kW (HP)	N/A	N/A	0,6 (0,8)	0,65 (0,87)	0,35 (0,47)
Courant pompe (maxi.), A	N/A	N/A	5	3	1,6
Hauteur d'aspiration pompe, m (pi)	N/A	N/A	9 (30)	9 (30)	6 (20)
Refolement de la pompe, l/min (gal/min)	N/A	N/A	204 (54)	260 (69)	150 (39)
Dimensions (Lxlxh), mm (po)	600x570x1250 (23,6x22,4x49,2)	600x570x1250 (23,6x22,4x49,2)	600x570x1250 (23,6x22,4x49,2)	600x570x1250 (23,6x22,4x49,2)	530x520x910 (20,9x20,5x35,8)
Poids, kg (lbs)	34 (75)	34 (75)	44 (97)	44 (97)	27 (59)

Caractéristiques	W 70 110 V	W 70 230 V	W 70 P 110 V	W 70 P 230 V	W 250 P 230 V
Niveau de puissance sonore, mesuré L_{WA} dB(A) ¹⁹	86	86	86	86	85
Niveau de pression sonore L_{PA} à l'oreille de l'utilisateur, dB(A) ²⁰	76	76	76	76	74
Niveau de vibrations, A_h en m/s^{221}	≤2,5				

¹⁹ Émissions sonores dans l'environnement comme puissance acoustique (LWA) selon la norme EN 60335-2-69. Incertitude kWA 2 dB.

²⁰ Niveau de pression sonore conformément à la norme EN 60335-2-69. Incertitude KPA 2 dB.

²¹ Niveau de vibrations conformément à la norme EN 60335-2-69. Les données reportées pour le niveau de vibrations montrent une dispersion statistique typique (déviatoin standard) de $1 m/s^2$

Inhoud

Inleiding.....	41	Probleemoplossing.....	50
Veiligheid.....	45	Vervoer, opslag en verwerking.....	51
Montage.....	47	Technische gegevens.....	52
Werking.....	47	EG verklaring van overeenstemming.....	54
Onderhoud.....	48		

Inleiding

Productbeschrijving

De Husqvarna Wet industrial vaccum cleaner is een slurry collector. De vloeistoffen worden met hoge snelheid via de aanzuigslang door de inlaatklep opgezogen. De vloeistof wordt opgevangen in een container. De pompvarianten bieden de mogelijkheid om de vloeistof via de afvoerpomp af te voeren.

Bij varianten zonder afvoerpomp kan de vloeistof worden afgetapt via de afvoerlep.

Een vlotter beschermt de motor tegen vloeistof.

De W 70 en W 70 P hebben een extra filter om het sliedschuim te scheiden van deeltjes.

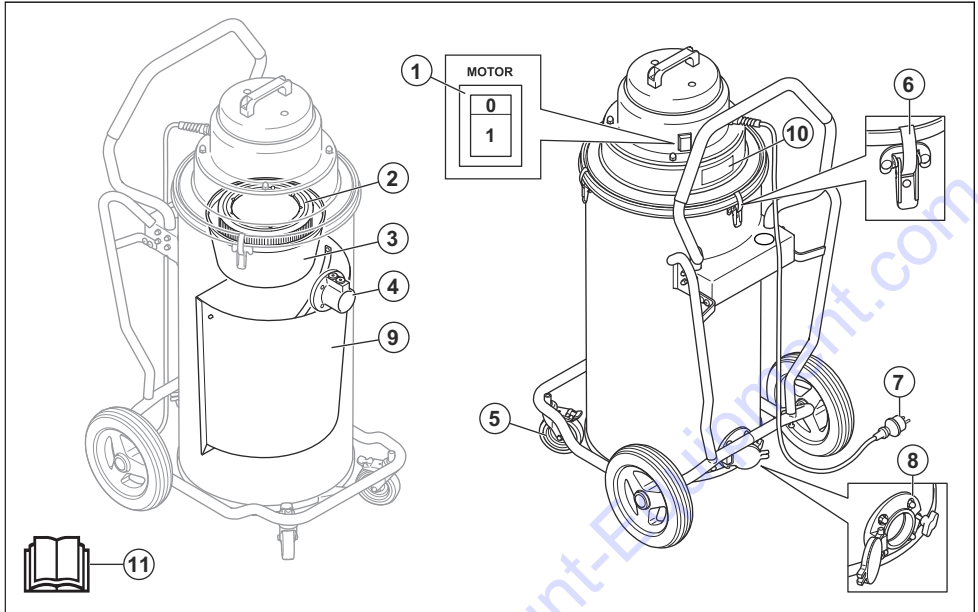
Om het product te beschermen en de levensduur te verlengen, raden wij u aan om altijd zakken te gebruiken om de grootste deeltjes op te vangen en te filteren.

Gebruik

Het product is bedoeld voor huishoudelijk en commercieel gebruik, zoals in hotels, scholen, ziekenhuizen, fabrieken, winkels, kantoren en verhuurbedrijven voor het opzuigen en verzamelen van niet-explosieve, niet-ontvlambare of niet-brandbare stoffen.

De W 70 en W 70 P kunnen tijdelijk worden gebruikt voor droge toepassingen. Er moeten dan altijd droge zakken worden gebruikt en het filter moet worden vervangen door een Hepa filter, dat als accessoire wordt verkocht.

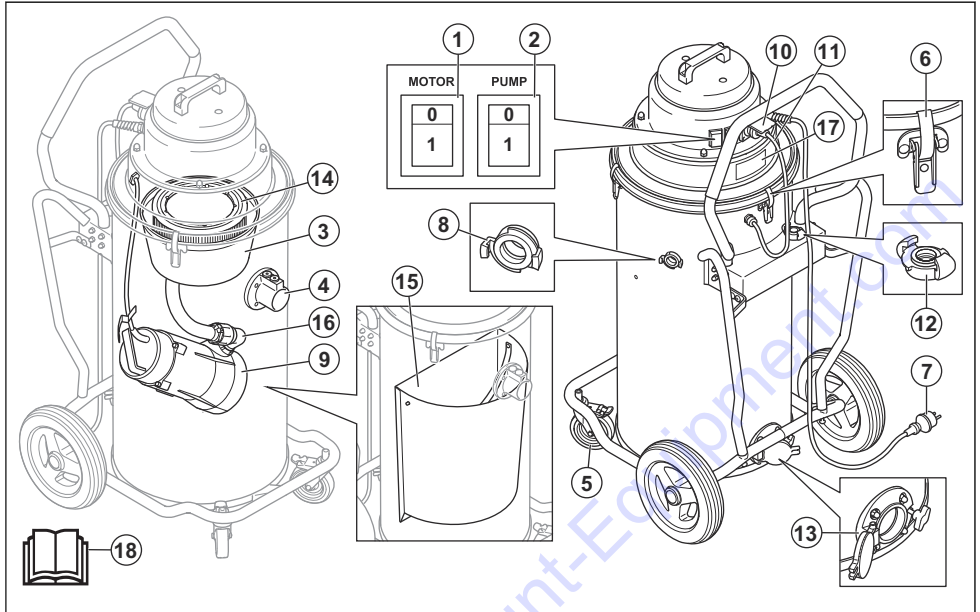
Productoverzicht W 70



1. Aan/uit-schakelaar voor de motor
2. Filteren
3. Druppelen
4. Inlaatklep
5. Vergrendelbare zwenkwielen
6. Klemsluiting

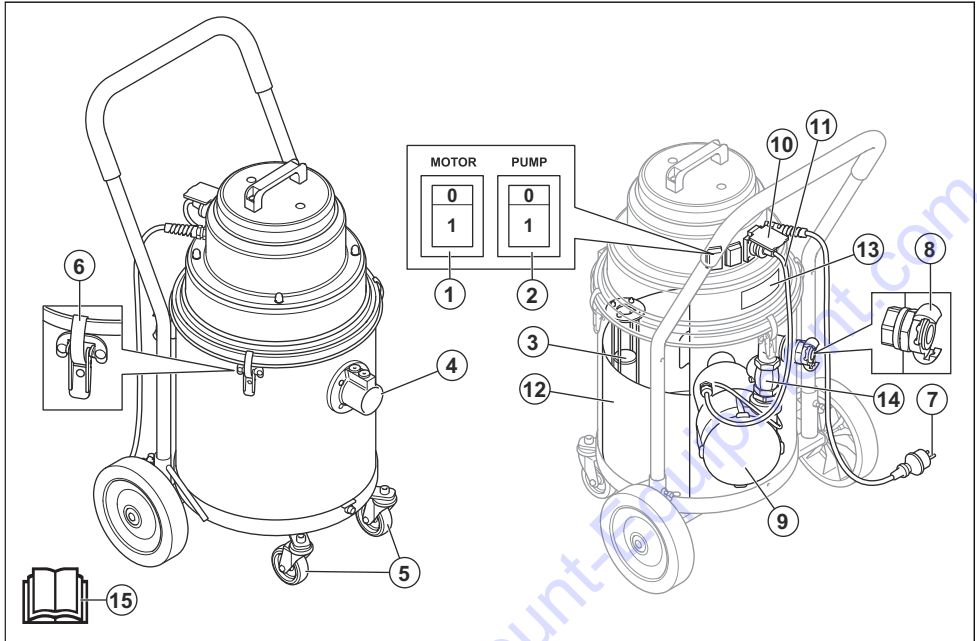
7. Voedingskabel
8. Afvoerklep
9. Roestvaststalen zeef
10. Typeplaatje
11. Gebruikershandleiding

Productoverzicht W 70 P



- | | |
|-------------------------------------|---|
| 1. Aan/uit-schakelaar voor de motor | 10. Uitgang contactdoos voor de kabel van de pomp |
| 2. Aan/uit-schakelaar voor de pomp | 11. Kabel van de pomp |
| 3. Druppelen | 12. Adapter voor afvoerslang |
| 4. Inlaatklep | 13. Afvoerlep |
| 5. Vergrendelbare zwenkwielen | 14. Filteren |
| 6. Klemsluiting | 15. Roestvaststalen zeef |
| 7. Voedingskabel | 16. Keerlep |
| 8. Uitlaat | 17. Typeplaatje |
| 9. Pomp | 18. Gebruikershandleiding |

Productoverzicht W 250 P



1. Aan/uit-schakelaar voor de motor
2. Aan/uit-schakelaar voor de pomp
3. Druppelen
4. Inlaatklep
5. Zwenkwielen
6. Klemsluiting
7. Voedingskabel
8. Uitlaat
9. Pomp
10. Uitgang contactdoos voor de kabel van de pomp
11. Kabel van de pomp
12. Roestvaststalen zeef
13. Typeplaatje
14. Keerklep
15. Gebruikershandleiding

Symbolen op het product



Lees de bedieningshandleiding zorgvuldig door en zorg dat u de instructies hebt begrepen voordat u het product gebruikt.



Gebruik altijd een goedgekeurd stofmasker.



Gebruik altijd goedgekeurde gehoorbescherming.



Gebruik altijd goedgekeurde oogbescherming.

Productaansprakelijkheid

Zoals uiteengezet in de wet voor productaansprakelijkheid zijn wij niet aansprakelijk voor schade die door ons product wordt veroorzaakt, indien:

- het product niet goed is gerepareerd.
- het product is gerepareerd met onderdelen die niet van de fabrikant afkomstig zijn, of onderdelen die niet zijn goedgekeurd door de fabrikant.
- het product een accessoire bevat dat niet afkomstig is van de fabrikant of niet is goedgekeurd door de fabrikant.
- het product niet is gerepareerd door een erkend servicepunt of door een erkende autoriteit.

Veiligheid

Veiligheidsdefinities

Waarschuwingen, voorzorgsmaatregelen en opmerkingen worden gebruikt om te wijzen op belangrijke delen van de handleiding.



WAARSCHUWING: Wordt gebruikt om te wijzen op de kans op ernstig of fataal letsel voor de gebruiker of omstanders wanneer de instructies in de handleiding niet worden gevolgd.



OPGELET: Wordt gebruikt indien er een risico bestaat op schade aan het product en andere eigendommen of aan de omgeving wanneer de instructies in de handleiding niet worden gevolgd.

Let op: Geven verdere informatie die nodig is in een bepaalde situatie.

Algemene veiligheidsinstructies



WAARSCHUWING: Lees de waarschuwingen voordat u het product gaat gebruiken.

- Lees de bedieningshandleiding aandachtig door en zorg ervoor dat u de instructies begrijpt alvorens dit product te gebruiken. Bewaar alle waarschuwingen en instructies voor later gebruik.
- Zorg ervoor dat u de instructies in de hoofdproducthandleiding leest en begrijpt om te waarborgen dat u weet welke persoonlijke uitrusting u moet dragen, welke veiligheidsuitrusting u moet gebruiken en hoe u op een veilige manier kunt werken.
- Wees altijd voorzichtig en gebruik uw gezond verstand. Wanneer u in een situatie belandt waarin u niet goed weet hoe u verder te werk moet gaan, moet u een expert raadplegen. Wend u tot uw dealer, uw servicewerkplaats of een ervaren gebruiker. Vermijd gebruik waarvan u vindt dat u niet voldoende gekwalificeerd bent!
- Denk erom dat het uw verantwoordelijkheid als gebruiker is om mensen en hun eigendommen niet bloot te stellen aan ongelukken of gevaar.
- Het product moet schoon worden gehouden. Aanduidingen en stickers moeten volledig leesbaar zijn.
- Pak de stekker of de machine niet vast met natte handen.
- Dit product mag niet worden gebruikt door personen (inclusief kinderen) met een lichamelijke, zintuiglijke

of geestelijke beperking of gebrek aan ervaring en kennis.

- Gebruik nooit een machine die defect is. Voer de in deze handleiding beschreven veiligheidscontroles en de onderhouds- en service-instructies uit. Bepaalde onderhouds- en servicemaatregelen moeten door opgeleide en gekwalificeerde specialisten worden uitgevoerd. Zie *Onderhoud op pagina 48*.

Elektrische veiligheidsinstructies



WAARSCHUWING: Lees de volgende waarschuwingen voordat u het product gaat gebruiken.

- Het product is voorzien van een thermische beveiliging om te voorkomen dat de motor oververhit raakt. Als de thermische beveiliging wordt geactiveerd, schakelt u de machine uit, haalt u de stekker uit het stopcontact en controleert u of de stofzak vol is en of de afzuigslang of het filter verstopt is. Het resetten van de thermische beveiliging kan tot 45 minuten duren.
- Zorg er alvorens het product te gebruiken voor dat het vermogen en de spanning overeenkomen met de spanning die wordt vermeld op het productplaatje van de machine, inclusief verlengsnoeren.
- Uitsluitend op een goed geaard stopcontact aansluiten. Zie *Aardingsinstructies op pagina 47*.
- De onjuiste aansluiting van de aardedraad van de uitrusting kan leiden tot een risico van een elektrische schok. Raadpleeg een gekwalificeerde elektricien of onderhoudsmonteur als u eraan twijfelt of het stopcontact goed geaard is. Pas nooit de meegeleverde stekker aan. Als de stekker niet in het stopcontact past, moet u een goed stopcontact door een erkende elektromonteur laten installeren.
- Zorg er bij het gebruik van een verlengsnoer voor dat het snoer geschikt is voor deze machine.
- Kabels die door beknelling of scheuren beschadigd zijn, kunnen gevaarlijk zijn indien ze worden gebruikt en moeten onmiddellijk worden vervangen.
- Niet gebruiken indien het snoer of de stekker beschadigd zijn. Indien de machine niet naar behoren werkt, gevallen is, beschadigd is, buiten is achtergelaten of in het water is gevallen, dient u er voor te zorgen dat deze door een gekwalificeerde persoon wordt gerepareerd om gevaar te voorkomen.
- Inspecteer de stekker en het netsnoer regelmatig op beschadiging. Niet gebruiken indien het snoer of de stekker beschadigd zijn.
- Trek niet aan het snoer en gebruik het ook niet als handvat. Sluit geen deuren met het snoer ertussen en trek het niet langs scherpe randen of hoeken. Zorg ervoor dat de apparatuur niet over het snoer

loopt. Houd het snoer uit de buurt van hete oppervlakken.

- Haal de stekker niet uit het stopcontact door aan het snoer te trekken. Houd de stekker vast als u deze uit het stopcontact trekt.
- Laat de machine niet onbeheerd achter wanneer deze op de netvoeding is aangesloten. Koppel het netsnoer los van het stopcontact als de machine niet in gebruik is en voorafgaand aan reiniging of onderhoud aan de machine.

Veiligheidsinstructies voor montage



WAARSCHUWING: Lees de volgende waarschuwingen voordat u het product monteert.

- Vervang geen onderdelen van het product zonder toestemming van de fabrikant.
- Ongeautoriseerde wijzigingen en/of accessoires kunnen ernstig of dodelijk letsel aan de gebruiker of anderen toebrengen.
- Uitsluitend gebruiken zoals beschreven in deze handleiding. Gebruik alleen door de fabrikant aanbevolen opzetstukken.
- Men moet altijd originele onderdelen gebruiken.
- Zorg voor een stevig montageoppervlak, zodat de stofafzuiging niet kan omvallen. Risico van lichamelijk letsel en materiële schade.
- Pas op, want de klemsluitingen kunnen de gebruiker verwonden tijdens het monteren van het product.

Veiligheidsinstructies voor bediening



WAARSCHUWING: Lees de volgende waarschuwingen voordat u het product gaat gebruiken.



WAARSCHUWING: Als schuim of vloeistof uit de machine komt, moet deze onmiddellijk worden uitgeschakeld.



WAARSCHUWING: Het product is niet geschikt voor het opnemen van gevaarlijk stof.

- Het product mag niet worden gebruikt in omgevingen waar explosieve gassen aanwezig zijn.
- Zuig geen brandende of smeulende voorwerpen op zoals sigaretten, lucifers of hete as.
- Niet gebruiken om brandbare of ontvlambare vloeistoffen op te zuigen, zoals benzine, en ook niet gebruiken in gebieden waar deze aanwezig kunnen zijn.
- Plaats geen voorwerpen in de openingen. Gebruik het apparaat niet als een van de openingen verstopt is. Houd de openingen vrij van stof, haren en alle

andere zaken die de luchtstroom kunnen belemmeren.

- Richt de aanzuigslang niet op lichaamsdelen als de machine in werking is. Plaats geen lichaamsdelen tegen de aanzuigopening als de aanzuigslang niet is gemonteerd.
- Houd haar, wijde kleding, vingers en overige lichaamsdelen uit de buurt van openingen en bewegende delen.
- Gebruik het product niet voor droge toepassingen zonder geplaatste stofzak en/of filters.
- Kinderen moeten onder toezicht worden gehouden om er zeker van te zijn dat ze niet met het apparaat spelen.
- Mag niet worden gebruikt als een stuk speelgoed. Speciale aandacht is vereist bij gebruik door of in de buurt van kinderen.
- Gebruikers moeten voldoende worden geïnstrueerd in het gebruik van het product.
- Schakel alle bedieningselementen uit vóór het loskoppelen.
- Om het risico op elektrische schokken te verkleinen, dient u de vlotter altijd te monteren voordat u het apparaat optilt voor natte toepassingen.
- Wees extra voorzichtig bij het reinigen op trappen.
- Houd kinderen en onbevoegde personen uit de buurt van het product wanneer dit in gebruik is.
- Om het risico op elektrische schokken te verkleinen – niet blootstellen aan regen. Binnenshuis opslaan.
- Vervang het opvangsysteem en/of filters zoals beschreven in deze handleiding. Zie *Filters vervangen op pagina 49*.

Persoonlijke beschermingsuitrusting



WAARSCHUWING: Lees de volgende waarschuwingen voordat u het product gaat gebruiken.

- Tijdens het vervangen van filters en zakken kan stof worden verspreid dat gevaarlijk is voor de gezondheid. Daarom moet de gebruiker een veiligheidsbril, veiligheidshandschoenen en een stofmasker dragen die voldoen aan protection class FFP3.

Veiligheidsinstructies voor onderhoud



WAARSCHUWING: Lees de volgende waarschuwingen voordat u het product gaat gebruiken.



OPGELET: Reinig de waterniveaubegrenzer regelmatig en controleer deze op tekenen van schade.

- Alle reparaties moeten worden uitgevoerd door een gekwalificeerde onderhoudsmonteur. Gebruik alleen

door de fabrikant geleverde of gelijkwaardige vervangende onderdelen.

- Zorg ervoor dat de afvalcontainer leeg is wanneer het product wordt opgetild en dat er niemand onder het product staat.

Montage

Inleiding



OPGELET: Gebruik alleen een verlengkabel met de juiste nominale waarde voor dit product.



OPGELET: Laat nooit water of nat vuil in het zuigapparaat zitten. Dit kan onaangename geuren en slechte hygiëne veroorzaken.

Algemeen

Controleer of de volgende accessoires zijn meegeleverd:

- De slang met aansluitstukken
- Stalen buis
- Vloerzuigmond
- Spleetmondstuk
- 1 zak voor het opvangen van slijb

Als 1 van de onderdelen ontbreekt, neem dan contact op met uw lokale servicewerkplaats.

Zorg ervoor dat u de verpakking en de gebruikte productonderdelen volgens de juiste procedure afvoert. Raadpleeg de lokale afvoerschriften. Laat het materiaal recycleren.

Werking

Inleiding



WAARSCHUWING: Voordat u de machine gebruikt, moet u het hoofdstuk over veiligheid en de bedieningsinstructies zorgvuldig lezen en begrijpen.

Vóór gebruik



WAARSCHUWING: Sluit de voedingsstekker aan op een stopcontact met de juiste spanning, zie het productplaatje.

Aardingsinstructies



WAARSCHUWING: Het product moet geaard zijn. Als de stofafzuiging een storing of defect zou vertonen, biedt aarding een weg van de minste weerstand voor elektrische stroom om het risico van elektrische schokken te beperken. Het product is voorzien van een snoer met een aardedraad voor de uitrusting en een aardingsstekker. De stekker moet worden aangesloten op een geschikt stopcontact dat correct is geïnstalleerd en geaard is in overeenstemming met alle plaatselijk geldende voorschriften en regels.

De juiste afvoerslang aansluiten

De adapter past op de meeste slangen van 25 mm.

- Gebruik de meegeleverde adapter.

- Plaats de adapter op het uiteinde van de slang.
- Bevestig de adapter aan de uitlaat.

De zuigslang aanbrengen

Op het product bevindt zich een slanginlaat met een slangvergrendeling. De slangvergrendeling zorgt ervoor dat de aanzuigslangadapter er niet afvalt.

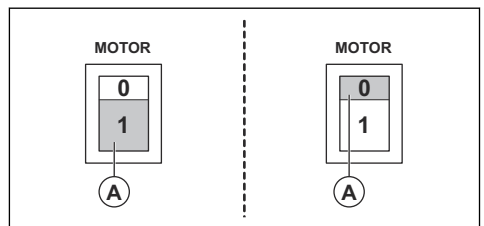
1. Til de slangvergrendeling omhoog en bevestig de aanzuigslangadapter.
2. Laat de slangvergrendeling in de uitsparing van de adapter zakken.

Het mondstuk op de handpomp bevestigen

Het vloermondstuk heeft verstelbare wielen. Pas de wielen zodanig aan dat de beste zuigwerking wordt verkregen. Stel de wielen af met de knop aan de achterzijde van het mondstuk. De wielen en de rubberen strips van het mondstuk kunnen worden vervangen. Houd het mondstuk in goede staat.

De W 70 starten en stoppen

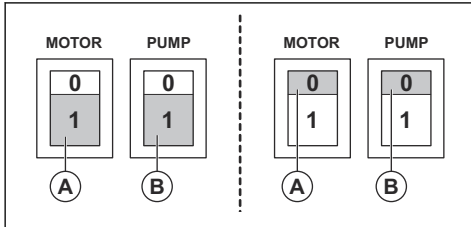
- Druk op de knop (1) om het product te starten.
- Druk op de knop (0) om het product te stoppen.



De W 70 P en de W 250 P starten en stoppen

De motorschakelaar is knop A en de pompschakelaar is knop B in de afbeelding.

- Druk op de knop (1) om het product te starten.
- Druk op de knop (0) om het product te stoppen.



Na het gebruik

1. Schakel het zuigapparaat uit met behulp van de schakelaar.

2. Ontkoppel de voedingskabel. Verwijder de kabel van de pomp niet.
3. Leeg en reinig het zuigapparaat en de gebruikte accessoires. Zie *De zuigslang aanbrengen op pagina 47* en *Product reinigen op pagina 49*.

De zak vervangen

1. Koppel de voedingskabel los en verwijder de kabel van de pomp.
2. Maak de 3 klemsluitingen los en verwijder de bovenkant.
3. Til de vlotter eruit.
4. Verwijder de oude zak en gooi deze weg. Neem de lokale voorschriften in acht.
5. Plaats de nieuwe zak in de roestvaststalen zeef.
6. Schroef de kleine opening over de interne inlaatleiding. Laat het lipje over de rand van de container rusten.
7. Voer stap 1-3 in omgekeerde volgorde uit.

Onderhoud

Inleiding



WAARSCHUWING: De meeste ongelukken met machines gebeuren tijdens het opsporen van fouten en tijdens service- en onderhoudswerkzaamheden, omdat het personeel zich dan binnen de risicozone van de machine moet begeven. Voorkom ongelukken door alert te zijn en de werkzaamheden te plannen en voor te bereiden.



WAARSCHUWING: Voordat u onderhoud aan het product uitvoert, moet u ervoor zorgen dat de motorschakelaar en de pompschakelaar in de stand Off staan.

Koppel de voedingskabel los en verwijder de kabel van de pomp.



WAARSCHUWING: Alle controles van elektrische componenten moeten door een gekwalificeerd elektricien worden uitgevoerd.



WAARSCHUWING: Perforeer het filter niet. Risico van het vrijkomen van stof.

Onderhoudsschema

De onderhoudsintervallen worden berekend op basis van het dagelijks gebruik van het product. De intervallen veranderen als het product niet dagelijks wordt gebruikt.

Onderhoud	Voor elk gebruik	Na elk gebruik	Elke dag	Wekelijks	6 maanden of 1000 u	12 maanden of 2000 u
Controleer op tekenen van slijtage, beschadiging of losse aansluitingen van de bedieningselementen voordat de eenheid wordt aangesloten.	X					
Leeg en reinig de tank en accessoires.		X				

Onderhoud	Voor elk gebruik	Na elk gebruik	Elke dag	Wekelijks	6 maanden of 1000 u	12 maanden of 2000 u
Controleer de filters. ²²			X			
Controleer de wielen. Controleer op beschadigingen en slechte aansluitingen. De vergrendelingen van de zwenkwielen moeten correct werken.				X		
Controleer de werking van de eenrichtingsklep op P-varianten.				X		
Controleer de slangopzetstukken op mechanische slijtage. Controleer of de afdichting volledig functioneert.				X		
Filter vervangen ²³						X
Controleer de pakking van de slang en de afdichting.			X			

Product reinigen



WAARSCHUWING: Zorg ervoor dat de motorschakelaar en de pompschakelaar in de stand Off staan voordat u het product reinigt. Ontkoppel de voedingskabel. Verwijder de kabel van de pomp niet

Het is belangrijk om het product te reinigen om schade en circulatie van gevaarlijk afval te voorkomen. Reinig altijd het product voordat het uit het werkgebied wordt geplaatst. Indien het product voor andere doeleinden moet worden gebruikt, is het buitengewoon belangrijk dat het product wordt gereinigd om verspreiding van gevaarlijk materiaal te voorkomen.

Nadat slib door de pomp is gegaan, spoelt u het systeem met een aanzienlijke hoeveelheid vers water. Zorg dat er geen slib meer aanwezig is in de pomp of op de bodem van de tank. Dit veroorzaakt schade aan de pomp en het slib zal hard worden en het systeem verstoppen. Als u het apparaat droog gebruikt en vervolgens overschakelt op nat, of omgekeerd, moet u ervoor zorgen dat de filters goed en grondig worden gereinigd om te voorkomen dat er zich vuil in het systeem ophoopt of het systeem verstopt raakt.

Alle onderdelen die verontreinigd zijn na werkzaamheden, moeten volgens de juiste procedure in plastic zakken worden afgevoerd. Neem de lokale voorschriften in acht.

²² Alleen van toepassing op W 70 en W 70 P.

²³ Alleen van toepassing op W 70 en W 70 P.

- Gebruik de juiste persoonlijke beschermingsmiddelen wanneer u het product reinigt. Zie *Persoonlijke beschermingsuitrusting op pagina 46*
- Reinig het externe oppervlak met een vochtige doek.
- Reinig de filters en de slibopvangbak in het daarvoor bestemde gebied.
- Spoel het systeem met schoon water om de pomp grondig te reinigen.

Filter vervangen



WAARSCHUWING: Gebruik tijdens het vervangen van het filter persoonlijke beschermingsmiddelen, zie *Persoonlijke beschermingsuitrusting op pagina 46*. Tijdens het vervangen van het filter kan er stof vrijkomen.



WAARSCHUWING: Zet de motorschakelaar altijd in de uitgeschakelde stand en koppel het snoer los van het stopcontact tijdens het vervangen van het filter.

Filters vervangen

Alleen W 70 en W 70 P hebben een extra filter om het slibschuim te scheiden van deeltjes.

1. Ontkoppel de voedingskabel. Verwijder de kabel van de pomp.
2. Maak de 3 klemsluitingen los om de bovenkant te verwijderen.
3. Til de filterhouder met het filter eraf.
4. Draai de moer op de filterhouder los en verwijder de filterdop en het filter.
5. Controleer de pakking op de filterhouder. Vervang de pakking als deze beschadigd is.
6. Monteer het nieuwe filter.

7. Reinig alle overige onderdelen.

Vlotter

Een vlotter beschermt de motor tegen vloeistof.

- Inspecteer de vlotter regelmatig visueel om ervoor te zorgen dat hij niet beschadigd is en er geen obstakels zijn.

Als de vlotter wordt geactiveerd, moet de motor worden uitgeschakeld en moet er water worden afgetapt voordat de motor wordt ingeschakeld.

Probleemoplossing

Probleemoplossingsschema

Probleem	Oorzaak	Oplossing
Motor start niet	Geen stroom	Product aansluiten
	Kabel defect	Vervang de kabel
	Schakelaar defect	Vervang de schakelaar
Motor stopt direct na het starten	Verkeerde zekering	Aansluiten op juiste zekering
	Kortsluiting in kabel/machine	Laten repareren door een servicemedewerker
Motor loopt, maar er is geen afzuiging	Slang niet aangesloten	Sluit de waterslang aan
	Slang geblokkeerd	Slang reinigen
	Vlotter geactiveerd.	Controleer het waterniveau en of de vlotter is beschadigd.
Motor loopt, maar afzuiging is slecht	Gat in de slang	Slang vervangen
	Filter verstopt	Filter reinigen/vervangen
	Losse aanzuigeenheid	Afstellen
	Vuil in de slang of inlaat	Reinig de slang en inlaat
	Defecte pakkingen	Betreffende pakkingen vervangen
Stof wordt uit de motor geblazen	Geblokkeerde of defecte terugslagklep.	Reinig of vervang de terugslagklep.
	Verkeerd gemonteerd of beschadigd filtersysteem ²⁴	Filters aanpassen/vervangen
Slecht pompen	De pomp of leidingen zijn geblokkeerd ²⁵	Reinig de pomp, terugslagklep en slang
Abnormaal geluid		Laten repareren door een servicemedewerker

²⁴ Alleen van toepassing op W 70 en W 70 P.

²⁵ Alleen van toepassing op W 70 P en W 250 P.

Transport van het product

- De eenheid moet tijdens transport stevig worden vastgezet.
- Vervoer indien mogelijk het product altijd in een gesloten voertuig.
- Vervoer het product niet in slechte weersomstandigheden.
- Maak bij het heffen van de stofafzuiger gebruik van oprijplaten of lieren om ervoor te zorgen dat de bewegingen veilig zijn. Roep hulp in als u niet zeker weet hoe zware apparatuur moet worden gegeven.
- Zet de remwielen goed vast.
- Zet de apparatuur tijdens vervoer goed vast om transportschade en ongelukken te voorkomen.
- Het wordt aanbevolen het product indien mogelijk rechttop te vervoeren.
- Wij raden u aan het product te legen voordat u het vervoert.

Het product opslaan

- Het product moet binnen worden opgeslagen uit de buurt van buitenelementen.
- Natte filters en het binnenste van de vloeistofcontainer moeten droog zijn voor opslag.
- Stel het product niet bloot aan regen of vocht.
- Zet de remwielen goed vast. Alleen van toepassing op W 70 en W 70 P.
- Haal de stekker van het product uit het stopcontact.
- Berg het product en de uitrusting op in een vorstvrije ruimte zonder buitensporige hitte.
- Sla alle apparatuur op in een afgesloten ruimte zodat de apparatuur buiten het bereik is van kinderen en onbevoegde personen.

Het product afvoeren

- Neem de plaatselijk geldende wet- en regelgeving voor recycling in acht.
- Wanneer het product niet langer wordt gebruikt, stuur het dan naar een -dealer of voer het af via een recyclingslocatie.

Technische gegevens

Technische gegevens

Gegevens	W 70 110V	W 70 230V	W 70 P 110V	W 70 P 230V	W 250 P 230V
Spanning (1-fasig), V	110-120	220-230	110-120	220-230	220-230
Frequentie, Hz	50-60	50-60	50	50-60	50
Motorvermogen, kW (pk)	1,2 (1,6)	1,2 (1,6)	1,8 (2,4)	1,85 (2,5)	1,55 (2,1)
Stroomsterkte (max.), A	8	5	15	8	5
Luchtstroom, m ³ /h (cfm)	200 (118)	200 (118)	200 (118)	200 (118)	160 (95)
Vacuüm, kPa (psi)	24 (94)	22 (88)	24 (94)	22 (88)	22 (88)
Wateropvoering, m (inch)	2,5 (100)	2,3 (90)	2,5 (100)	2,3 (90)	2,3 (90)
Diameter hoofdslang, mm (inch)	38 (1,5)	38 (1,5)	38 (1,5)	38 (1,5)	38 (1,5)
Lengte hoofdslang, m (ft)	3 (10)	3 (10)	3 (10)	3 (10)	3 (10)
Diameter inlaat, mm (inch)	38 (1,5)	38 (1,5)	38 (1,5)	38 (1,5)	38 (1,5)
Filter (ja/nee)	Ja	Ja	Ja	Ja	Nee
Filterruimte, m ² (ft ²)	0,6 (6,5)	0,6 (6,5)	0,6 (6,5)	0,6 (6,5)	NVT
Stofopvangsysteem (type), l (gal)	Wegwerpzak of roestvaststalen container, 70 (18,5)	Wegwerpzak of roestvaststalen container, 70 (18,5)	Wegwerpzak of roestvaststalen container, 70 (18,5)	Wegwerpzak of roestvaststalen container, 70 (18,5)	Wegwerpzak of roestvaststalen container, 29 (7,66)
Afvoerpomp (ja/nee)	Nee	Nee	Ja	Ja	Ja
Pompvermogen (max.), kW (pk)	NVT	NVT	0,6 (0,8)	0,65 (0,87)	0,35 (0,47)
Stroomsterkte pomp (max.) A	NVT	NVT	5	3	1,6
Pomp wateropvoering, m (ft)	NVT	NVT	9 (30)	9 (30)	6 (20)
Pompdebiet, l/min (gal/min)	NVT	NVT	204 (54)	260 (69)	150 (39)
Afmetingen (LxBxH), mm (inch)	600x570x1250 (23,6x22,4x49,2)	600x570x1250 (23,6x22,4x49,2)	600x570x1250 (23,6x22,4x49,2)	600x570x1250 (23,6x22,4x49,2)	530x520x910 (20,9x20,5x35,8)
Gewicht kg (lbs)	34 (75)	34 (75)	44 (97)	44 (97)	27 (59)
Geluidsvermogeniveau L _{WA} gemeten, dB(A) ²⁶	86	86	86	86	85

²⁶ Geluidsemissies naar de omgeving gemeten als geluidsvermogen (LWA) volgens EN 60335-2-69. Onzekerheidsmarge Kwa 2 dB.

Gegevens	W 70 110V	W 70 230V	W 70 P 110V	W 70 P 230V	W 250 P 230V
Geluidsdruk niveau L_{pA} bij het oor van de gebruiker, $dB(A)^{27}$	76	76	76	76	74
Trillingsniveau a_h , m/s^{228}	$\leq 2,5$				

To order go to Discount-Equipment.com

²⁷ Geluidsdruk niveau volgens EN 60335-2-69. Onzekerheidsmarge KPA 2 dB.

²⁸ Trillingsniveau volgens EN 60335-2-69. De gerapporteerde gegevens voor een trillingsniveau vertonen een typische statistische spreiding (standaardafwijking) van $1 m/s^2$



To order go to Discount-Equipment.com

Original instructions
Originalanweisungen
Instructions d'origine
Originele instructies

1140482-20



2021-08-26 rev2

TO PURCHASE THIS PRODUCT PLEASE CONTACT US



**Equipment Financing and
Extended Warranties Available**



**Discount-Equipment.com is your online resource for
commercial and industrial quality parts and equipment sales.**

561-964-4949

visit us on line @ www.discount-equipment.com

Select an option below to find your Equipment

Search by Manufacturer

Search by Product Type

Request a Quote

We sell worldwide for the brands: Genie, Terex, JLG, MultiQuip, Mikasa, Essick, Whiteman, Mayco, Toro Stone, Diamond Products, Generac Magnum, Airman, Haulotte, Barreto, Power Blanket, Nifty Lift, Atlas Copco, Chicago Pneumatic, Allmand, Miller Curber, Skyjack, Lull, Skytrak, Tsurumi, Husquvarna Target, Stow, Wacker, Sakai, Mi-T-M, Sullair, Basic, Dynapac, MBW, Weber, Bartell, Bennar Newman, Haulotte, Ditch Runner, Menegotti, Morrison, Contec, Buddy, Crown, Edco, Wyco, Bomag, Laymor, EZ Trench, Bil-Jax, F.S. Curtis, Gehl Pavers, Heli, Honda, ICS/PowerGrit, IHI, Partner, Imer, Clipper, MMD, Koshin, Rice, CH&E, General Equipment, Amida, Coleman, NAC, Gradall, Square Shooter, Kent, Stanley, Tamco, Toku, Hatz, Kohler, Robin, Wisconsin, Northrock, Oztec, Toker TK, Rol-Air, APT, Wylie, Ingersoll Rand / Doosan, Innovatech, Con X, Ammann, Mecalac, Makinex, Smith Surface Prep, Small Line, Wanco, Yanmar