

**US**

## **Operator's manual**

Please read the operator's manual carefully and make sure you understand the instructions before using the machine.

**FR**

## **Manuel d'utilisation**

Lire attentivement et bien assimiler le manuel d'utilisation avant d'utiliser la machine.

**ES**

## **Manual de instrucciones**

Lea detenidamente el manual de instrucciones y asegúrese de entender su contenido antes de utilizar la máquina.

# **PP 480 HF**



**US FR ES**

**TO PURCHASE THIS PRODUCT PLEASE CONTACT US**



**Equipment Financing and  
Extended Warranties Available**



**Discount-Equipment.com is your online resource for  
commercial and industrial quality parts and equipment sales.**

**561-964-4949**

**visit us on line @ [www.discount-equipment.com](http://www.discount-equipment.com)**

Select an option below to find your Equipment

**Search by Manufacturer**

**Search by Product Type**

**Request a Quote**

We sell worldwide for the brands: Genie, Terex, JLG, MultiQuip, Mikasa, Essick, Whiteman, Mayco, Toro Stone, Diamond Products, Generac Magnum, Airman, Haulotte, Barreto, Power Blanket, Nifty Lift, Atlas Copco, Chicago Pneumatic, Allmand, Miller Curber, Skyjack, Lull, Skytrak, Tsurumi, Husquvarna Target, Stow, Wacker, Sakai, Mi-T-M, Sullair, Basic, Dynapac, MBW, Weber, Bartell, Bennar Newman, Haulotte, Ditch Runner, Menegotti, Morrison, Contec, Buddy, Crown, Edco, Wyco, Bomag, Laymor, EZ Trench, Bil-Jax, F.S. Curtis, Gehl Pavers, Heli, Honda, ICS/PowerGrit, IHI, Partner, Imer, Clipper, MMD, Koshin, Rice, CH&E, General Equipment, Amida, Coleman, NAC, Gradall, Square Shooter, Kent, Stanley, Tamco, Toku, Hatz, Kohler, Robin, Wisconsin, Northrock, Oztec, Toker TK, Rol-Air, APT, Wylie, Ingersoll Rand / Doosan, Innovatech, Con X, Ammann, Mecalac, Makinex, Smith Surface Prep, Small Line, Wanco, Yanmar

# KEY TO SYMBOLS

## Symbols on the machine

**WARNING!** The machine can be a dangerous tool if used incorrectly or carelessly, which can cause serious or fatal injury to the operator or others.

Please read the operator's manual carefully and make sure you understand the instructions before using the machine.



Always wear:

- Approved protective helmet
- Approved hearing protection
- Protective goggles or a visor

**WARNING!** Live parts.



**Environmental marking.** Symbols on the product or its packaging indicate that this product cannot be handled as domestic waste. It must instead be submitted to an appropriate recycling station for the recovery of electrical and electronic equipment.



By ensuring that this product is taken care of correctly, you can help to counteract the potential negative impact on the environment and people that can otherwise result through the incorrect waste management of this product.

For more detailed information about recycling this product, contact your municipality, your domestic waste service or the shop from where you purchased the product.

**Other symbols/decals on the machine refer to special certification requirements for certain markets.**

## Explanation of warning levels

The warnings are graded in three levels.

### WARNING!



**WARNING!** Used if there is a risk of serious injury or death for the operator or damage to the surroundings if the instructions in the manual are not followed.

### CAUTION!



**CAUTION!** Used if there is a risk of injury to the operator or damage to the surroundings if the instructions in the manual are not followed.

### NOTICE!

**NOTICE!** Used if there is a risk of damage to materials or the machine if the instructions in the manual are not followed.

---

# CONTENTS

---

## Contents

### KEY TO SYMBOLS

Symbols on the machine .....	2
Explanation of warning levels .....	2

### CONTENTS

Contents .....	3
----------------	---

### PRESENTATION

Dear customer! .....	4
Features .....	4

### PRESENTATION

What is what on the power pack? .....	5
---------------------------------------	---

### MACHINE'S SAFETY EQUIPMENT

General .....	6
Start button .....	6
Emergency stop and stop button .....	6
Main switch .....	6
Ground fault circuit interrupter .....	6

### ASSEMBLING AND ADJUSTMENTS

Connect a power source .....	7
Connect water cooling .....	7
Battery .....	7
Software settings .....	8

### OPERATING

Protective equipment .....	9
General safety precautions .....	9
Work safety .....	10
Basic working techniques .....	11
Transport and storage .....	11

### MENU SYSTEM

General .....	12
Menu overview .....	12
DRIVE CHOICES .....	13
SETTINGS .....	13

### STARTING AND STOPPING

Before starting .....	14
Starting .....	14
Stopping .....	15

### MAINTENANCE

General .....	16
Daily maintenance .....	16
Service .....	16
Error messages .....	16

### TECHNICAL DATA

PP 480 HF .....	18
-----------------	----

### US WARRANTY STATEMENT

WARRANTY POLICY .....	20
EQUIPMENT .....	20

# PRESENTATION

## Dear customer!

Thank you for choosing a Husqvarna product!

It is our wish that you will be satisfied with your product and that it will be your companion for a long time. A purchase of one of our products gives you access to professional help with repairs and services. If the retailer who sells your machine is not one of our authorised dealers, ask him for the address of your nearest service workshop.

This operator's manual is a valuable document. Make sure it is always at hand at the work place. By following its content (using, service, maintenance etc) the life span and the second-hand value of the machine can be extended. If you ever lend or sell this machine, make sure that the borrower or buyer gets the operator's manual, so they will also know how to properly maintain and use it.

## More than 300 years of innovation

Husqvarna AB is a Swedish company based on a tradition that dates back to 1689, when the Swedish King Charles XI ordered the construction of a factory for production of muskets. At that time, the foundation was already laid for the engineering skills behind the development of some of the world's leading products in areas such as hunting weapons, bicycles, motorcycles, domestic appliances, sewing machines and outdoor products.

Husqvarna is the global leader in outdoor power products for forestry, park maintenance and lawn and garden care, as well as cutting equipment and diamond tools for the construction and stone industries.

## User responsibility

It is the owner's/employer's responsibility that the operator has sufficient knowledge about how to use the machine safely. Supervisors and operators must have read and understood the Operator's Manual. They must be aware of:

- The machine's safety instructions.
- The machine's range of applications and limitations.
- How the machine is to be used and maintained.

National legislation could regulate the use of this machine. Find out what legislation is applicable in the place where you work before you start using the machine.

## The manufacturer's reservation

All information and all data in the Operator's Manual were applicable at the time the Operator's Manual was sent to print.

Husqvarna AB has a policy of continuous product development and therefore reserves the right to modify the design and appearance of products without prior notice.

## Features

Values such as high performance, reliability, innovative technology, advanced technical solutions and environmental considerations distinguish Husqvarna's products.

Some of the unique features of your product are described below.

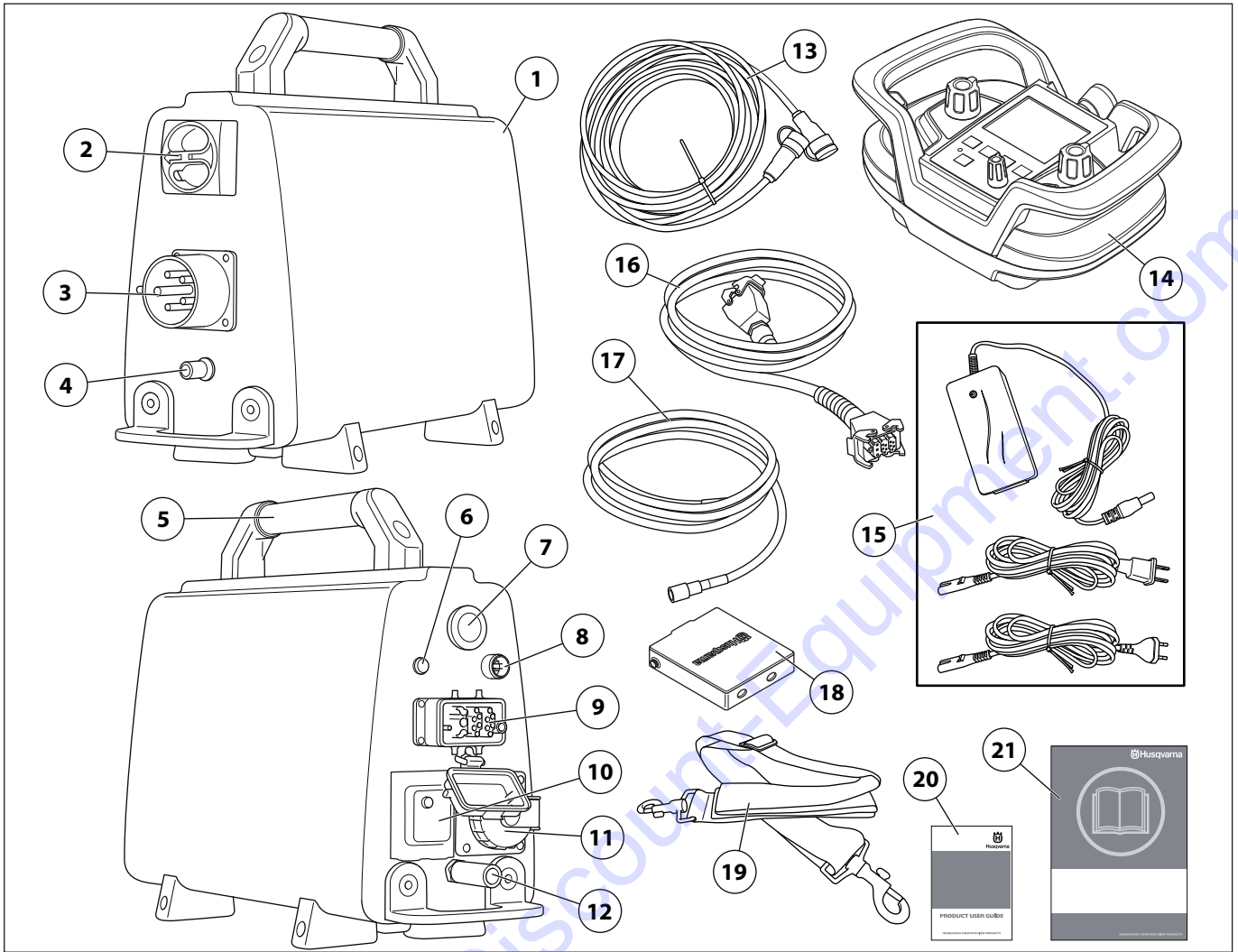
### Power pack

- PP 480 HF is a power pack specially developed to be used with the electric wall saw WS 482 HF.
- It has a compact design and weighs just 23 kg (51 lb).
- Use 32 A for a 400 V system for full power.
- The power pack is connected to the saw with only a power lead and a water coolant hose.
- Equipped with a 230 V power outlet and a terminal for CAN-cable.
- Equipped with an electric water valve which is controlled from the remote control.

### Wireless remote control

- Allows the operator freedom of movement and enables good overview of the work done.
- Easy to control, even when wearing gloves. Setting changes and operation are easy to perform using just a few buttons.
- 3.5 inch colour screen.

# PRESENTATION



## What is what on the power pack?

- |   |                             |
|---|-----------------------------|
| 1 Power pack  | 12 Water connector, out     |
| 2 Main switch   | 13 CAN cable                |
| 3 Electrical socket                                   | 14 Remote control           |
| 4 Water connector, in                                 | 15 Battery charger          |
| 5 Handle  | 16 Power cable              |
| 6 Power indicator                                     | 17 Water hose               |
| 7 Emergency stop                                      | 18 Battery (2)              |
| 8 CAN port  | 19 Adjustable carry strap   |
| 9 Cable connection                                    | 20 Operator's manual        |
| 10 Ground-fault circuit breaker - Only 5-pin machines | 21 DVD - Product user guide |
| 11 Single phase socket - Only 5-pin machines          |                             |

# MACHINE'S SAFETY EQUIPMENT

## General

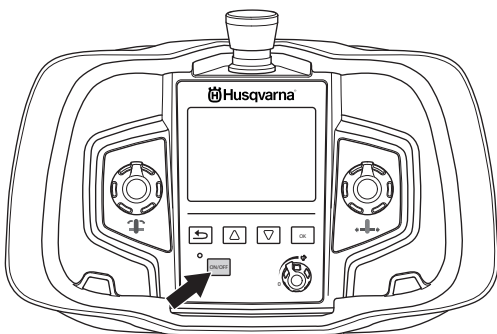


**WARNING! Never use a machine with faulty safety equipment. The machine's safety equipment must be checked and maintained as described in this section. If your machine fails any of these checks contact Discount-equipment to get it repaired.**

This section describes the machine's safety equipment, its purpose, and how checks and maintenance should be carried out to ensure that it operates correctly.

## Start button

The button is used to activate the remote control.

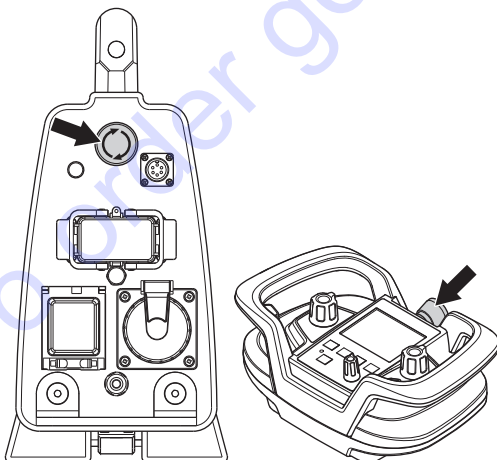


## Checking the start button

- Activate the remote control by pressing the "ON/OFF" button. Allow the remote control to fully charge and await the home screen.
- Turn off the remote control by pressing the "ON/OFF" button.

## Emergency stop and stop button

The power pack is equipped with an emergency stop and the remote control with a stop button. These are used to be able to quickly shut down the power pack.

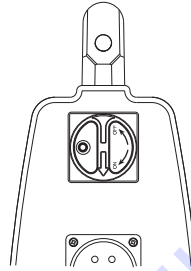


## Checking the emergency stop and stop button

- Start the blade rotation.
- Push the emergency stop on the power pack and check that the blade rotation stops. Check the stop button on the remote control in the same way.

## Main switch

The main switch is used to switch the electricity supply to the power pack on and off. The main switch must be in the "0"-position when the incoming cable is connected.



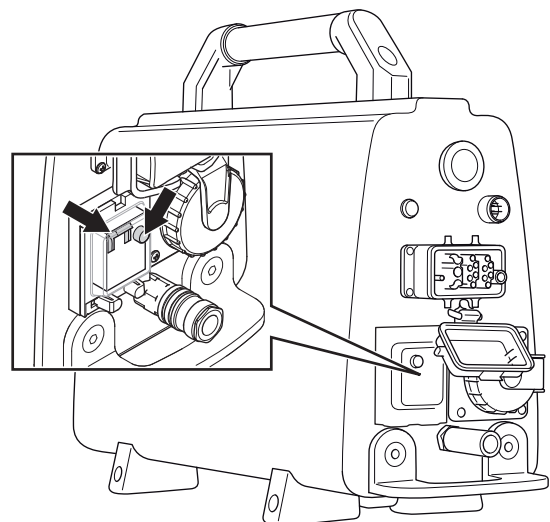
## Checking the main power switch

- Turn the main switch to the "0"-position.
- Try to start the saw.

The saw must not start.

## Ground fault circuit interrupter (Only on 5-pin machines)

The single phase socket on the power unit is fitted with a ground fault circuit interrupter. Ground fault circuit interrupters are for protection in case an electrical fault should occur.



## Check the ground fault circuit interrupter

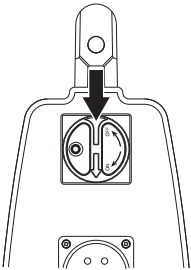
- Turn the main switch to "1"-position.
- Press the yellow test button. The ground fault circuit interrupter must trigger and the automatic fuse must switch off.
- Reset the ground fault circuit interrupter by folding up the automatic fuse.

# ASSEMBLING AND ADJUSTMENTS

## Connect a power source

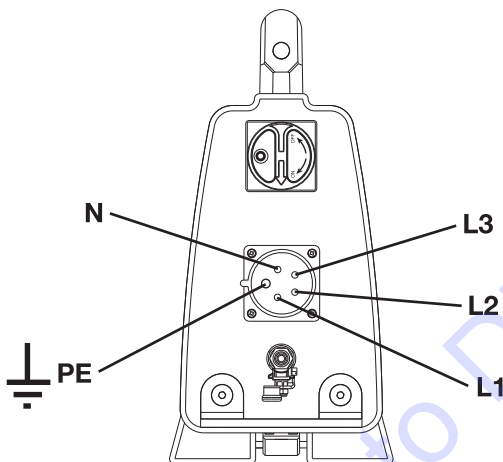
When the machine has been transported to a suitable site, it should be connected:

- Turn the main switch to the "0"-position.



- Connect the incoming power cable (380-480 V, 32 A European connector). Power packs equipped with a single phase socket (230 V) must also have a neutral wire in order for the socket to work. The power pack functions even if there is no neutral wire present.

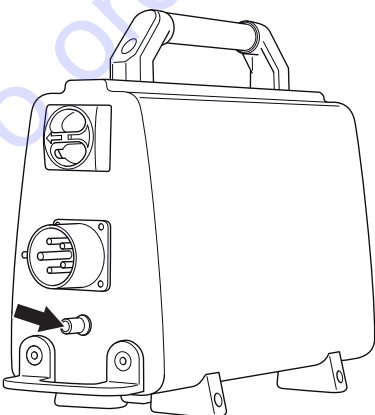
To be able to use full power output, the power unit must be connected to a 32 A fuse. With a 16 A or 25 A fuse the power output is lower so as not to overload the fuse. This is selected when starting up the power pack.



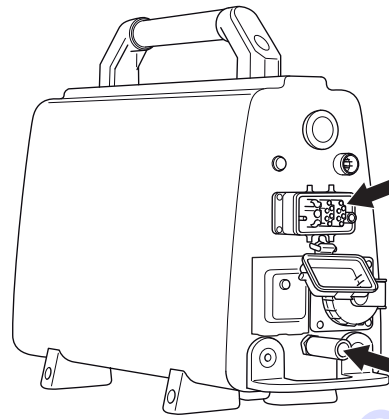
## Connect water cooling

- Connect the water hose to the incoming water connector.

The power pack is equipped with an electric water valve, which is closed when the power pack is activated. When the power pack is without electricity, the valve is open to be able to drain water coolant if there is a risk of freezing.



- Connect the supplied power lead and water hose from the power pack to the saw unit.



## Battery

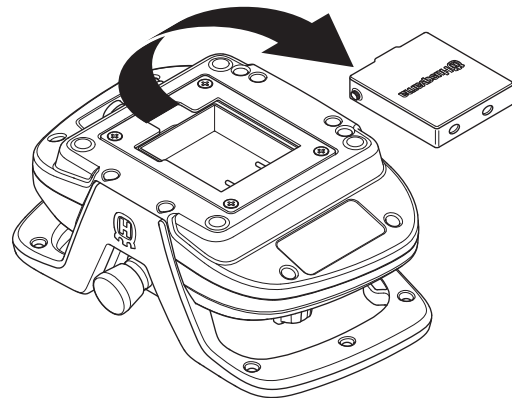
The battery is a Li-ion type. Operating time is about 8-10 hours per charge. Extreme cold impairs the battery's capacity and operating time. Operating time is also affected by the extent to which the display has been active.

Use only original batteries for this product. Contact Discount-equipment for more information.

An exhausted battery must not be disposed of as household garbage! Leave it at your nearest service agent or collection point.

## Insert / remove battery

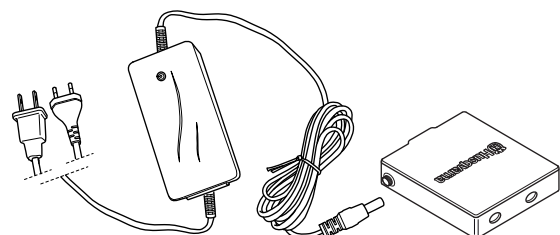
- Insert / remove the battery.



## Charge the battery

Before using the remote control for the first time the battery has to be charged.

## To charge with the battery charger





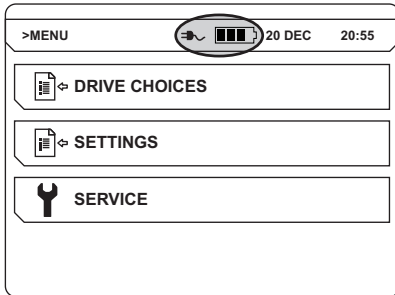
# ASSEMBLING AND ADJUSTMENTS

Charging time for a flat battery is approx. 2-3 hours. The diode is orange when charging starts and becomes green when the battery is fully charged. When the battery is fully charged the charger supplies the battery with maintenance current until the battery is removed from the charger.

Keep the battery charger dry and protected against temperature fluctuations.

## To charge with the CAN cable

The battery is charged when the CAN cable from the power unit is connected to the remote control. This is indicated by a red battery symbol in the remote control.



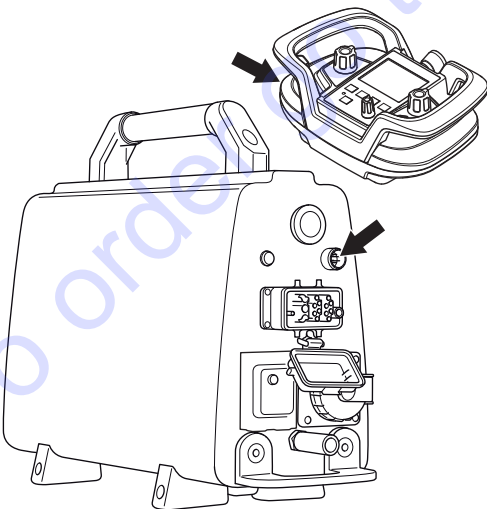
If the battery is removed while the remote control is connected to the CAN cable, the battery symbol in the remote control will be stricken through to indicate that there is not battery available.

## Software settings

### Pair the remote control with the power unit

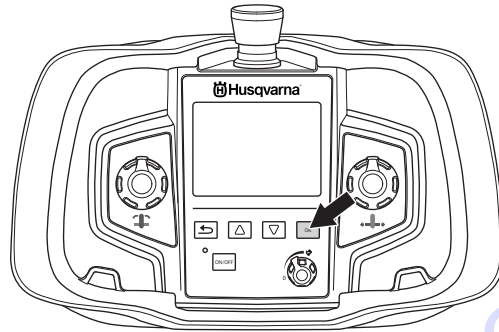
The first time the remote control is connected, the remote control and the power unit must be paired. This is a safety measure to guarantee that the power unit can only be controlled by one remote control. The remote control cannot be used until this step has been performed.

- Connect the remote control using the supplied CAN-cable. Tighten the cable connector screws by hand.

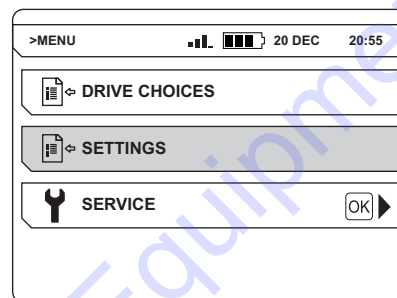


- Allow the remote control to fully charge and await the home screen.

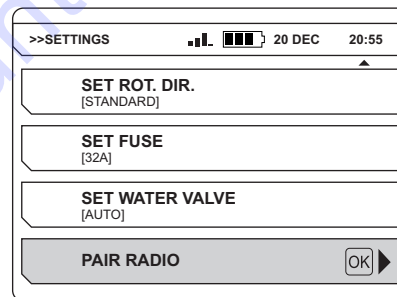
- Press the "OK" button to access the menu.



- Go to "SETTINGS". Browse with the arrow keys and confirm with "OK".



- Go to "PAIR RADIO". Browse with the arrow keys and confirm with "OK".



A message is displayed on the screen to indicate if the pairing was successful or not. Try again if the pairing fails.

### Other software settings

A number of further settings should be made before the power unit is commissioned. See instructions in the "Menu system" section for additional information.

- Set time and date. (SETTINGS>TIME & DATE)
- Select the required display language. (SETTINGS>SET LANGUAGE)
- Select the required units. (SETTINGS>SET UNITS)

# OPERATING

## Protective equipment

### General

Do not use the machine unless you are able to call for help in the event of an accident.

### Personal protective equipment

You must use approved personal protective equipment whenever you use the machine. Personal protective equipment cannot eliminate the risk of injury but it will reduce the degree of injury if an accident does happen. Ask your dealer for help in choosing the right equipment.



**WARNING! The use of products such as cutters, grinders, drills, that sand or form material can generate dust and vapours which may contain hazardous chemicals. Check the nature of the material you intend to process and use an appropriate breathing mask.**



**WARNING! Long-term exposure to noise can result in permanent hearing impairment. So always use approved hearing protection. Listen out for warning signals or shouts when you are wearing hearing protection. Always remove your hearing protection as soon as the engine stops.**



**WARNING! There is always a risk of crush injuries when working with products containing moving parts. Wear protective gloves to avoid body injuries.**

Always wear:

- Protective helmet
- Hearing protection
- Protective goggles or a visor
- Breathing mask
- Heavy-duty, firm grip gloves.
- Tight-fitting, heavy-duty and comfortable clothing that permits full freedom of movement.
- Boots with steel toe-caps and non-slip sole

Be careful as clothing, long hair, and jewellery can get caught in moving parts.

### Other protective equipment



**WARNING! Sparks may appear and start a fire when you work with the machine. Always keep fire fighting equipment handy.**

- Fire fighting equipment
- Always have a first aid kit nearby.

## General safety precautions



**WARNING! Read all safety warnings and all instructions. Failure to follow the warnings and instructions may result in electric shock, fire and/or serious injury.**

This section describes basic safety directions for using the machine. This information is never a substitute for professional skills and experience.

- Please read the operator's manual carefully and make sure you understand the instructions before using the machine.
- Read through the manual supplied with the wall saw before starting to use the hydraulic unit.
- Keep in mind that the operator is responsible for accidents or hazards occurring to other people or their property.
- All operators shall be trained in the use of the machine. The owner is responsible for ensuring that the operators receive training.
- The machine must be kept clean. Signs and stickers must be fully legible.



**WARNING! The machine can be a dangerous tool if used incorrectly or carelessly, which can cause serious or fatal injury to the operator or others.**

Never allow children or other persons not trained in the use of the machine to use or service it. Never allow anyone else to use the machine without first ensuring that they have understood the contents of the operator's manual.

Never use the machine if you are fatigued, while under the influence of alcohol or drugs, medication or anything that could affect your vision, alertness, coordination or judgement.



**WARNING! Unauthorized modifications and/or accessories may lead to serious injury or death to the user or others.**

Do not modify this product or use it if it appears to have been modified by others.

Never use a machine that is faulty. Carry out the checks, maintenance and service instructions described in this manual. Some maintenance and service measures must be carried out by trained and qualified specialists. See instructions under the heading Maintenance.

Always use genuine accessories.

# OPERATING

## Always use common sense

It is not possible to cover every conceivable situation you can face. Always exercise care and use your common sense. If you get into a situation where you feel unsafe, stop and seek expert advice. Contact Discount-equipment, service agent or an experienced user. Do not attempt any task that you feel unsure of!

## Work safety

### Work area safety

- Keep work area clean and well lit. Cluttered or dark areas invite accidents.
- Always check and mark out where gas pipes are routed. Cutting close to gas pipes always entails danger. Make sure that sparks are not caused when cutting in view of the risk of explosion. Remain concentrated and focused on the task. Carelessness can result in serious personal injury or death.
- Do not use the machine in environments where there is a risk of explosion.
- Make sure that no pipes or electrical wires are routed in the work piece or in the working area.
- Check that electrical cables within the working area are not live.
- Observe your surroundings to ensure that nothing can affect your control of the machine.
- Do not use the machine in bad weather, such as dense fog, heavy rain, strong wind, intense cold, etc. Working in bad weather is tiring and can lead to dangerous conditions, e.g. slippery surfaces.
- Do not use the machine in wet or humid surroundings, close to water, in the rain or snow.
- Never start to work with the machine before the working area is clear and you have a firm foothold.

### Electrical safety



**WARNING! There is always a risk of shocks from electrically powered machines. Avoid unfavourable weather conditions and body contact with lightning conductors and metal objects. Always follow the instructions in the Operator's manual to avoid damage.**



**WARNING! Do not wash the machine with water, as water can enter the electrical system or the engine and cause damage to the machine or short circuit.**

- Always connect the machine through an ground fault circuit interrupter with personal protection, i.e. an ground fault circuit interrupter that trips at an ground fault of 30 mA.
- The machine should be connected to an earthed outlet socket.

- Check that the mains voltage corresponds with that stated on the rating plate on the machine.
- Check that the cord and extension cord are intact and in good condition. Always use extension cables that are approved for outdoor use.
- Never use the machine if any cable or plug is damaged, but hand it in to an authorized service workshop for repair.
- To avoid overheating do not use the extension cord while it is rolled up.
- Never drag the machine by means of the cord and never pull out the plug by pulling the cord.
- Keep all cords and extension cords away from water, oil and sharp edges. Make sure the cord is not pinched in doors, fences or the like. Otherwise it can cause the object to become live.

### Personal safety

- Never use the machine if you are fatigued, while under the influence of alcohol or drugs, medication or anything that could affect your vision, alertness, coordination or judgement.
- Prevent unintentional starting. Ensure the switch is in the OFF-position.
- Never leave the machine unsupervised with the motor running.
- Always unplug the machine during longer work breaks.
- Never work alone, always ensure there is another person close at hand. Apart from being able to receive help to assemble the machine, you can also get help if an accident should occur.
- People and animals can distract you causing you to lose control of the machine. For this reason, always remain concentrated and focused on the task.
- Always saw in a manner that permits easy access to the emergency stop.

### Use and care

- This machine is ideal for drilling holes in concrete, bricks and various stone materials. It can be used both as a hand-held drill or fitted to a drill stand.
- The machine is intended for use in industrial applications by experienced operators.
- Inspection and/or maintenance should be carried out with the motor switched off and the plug disconnected.
- The machine has a very high torque. This demands good concentration during work, as serious personal injuries can occur if the drill bit suddenly jams.
- Do not overload the machine. Overloading can damage the machine.
- Always switch off the machine before you move it.
- Observe care when lifting. You are handling heavy parts, which implies the risk of pinch injuries or other injuries.
- Do not expose the machine to temperatures exceeding 45°C or to direct sunlight.

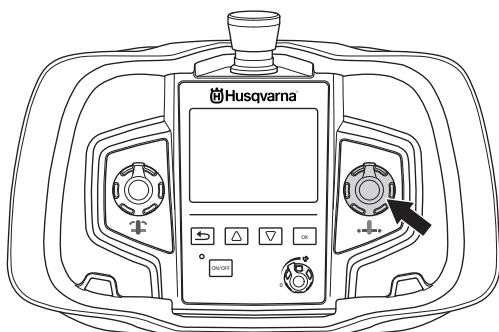
# OPERATING

- Check that all couplings, connections and cables are intact and free from dirt.
- Check that all cables and the water supply are correctly connected to the machine before starting it.
- Never pull out the power cable without first switching off the power pack and waiting for the engine to come to a complete halt. If an emergency situation should arise anyway, push the red emergency stop button on the power pack or the stop button on the remote control.
- Keep all parts in good working order and ensure that all fixtures are properly tightened.

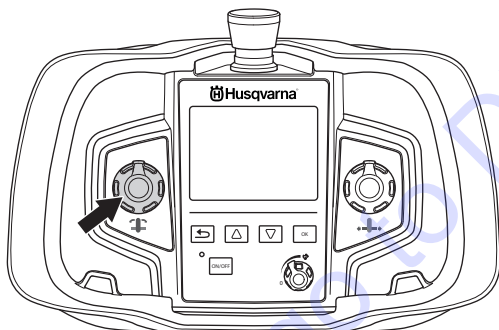
## Basic working techniques

The following can be operated using the control levers on the remote control:

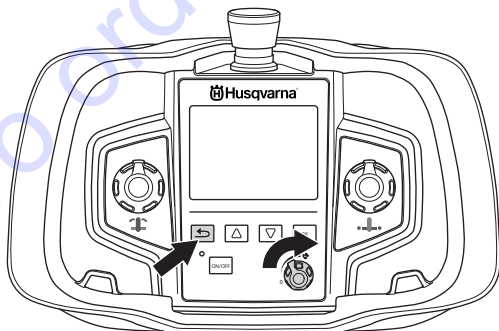
- Travel feed



- Arm feeding



- Blade/wire rotation Start the rotation of the blade/wire by holding the "back" button in while turning the rotation control clockwise. The rotation speed is controlled with a potentiometer.



- Read through the manual supplied with the wall saw for further instructions in sawing technique. See the supplied DVD for working technique tips.

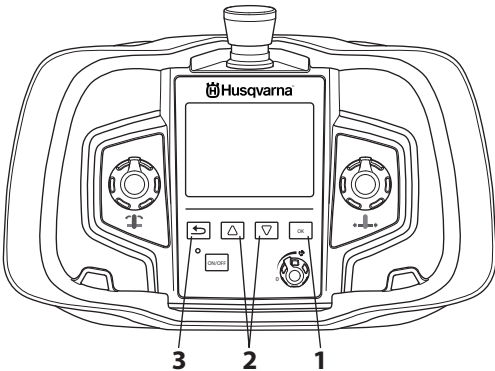
## Transport and storage

- Always switch off the power pack and pull out the electric cable before moving the equipment.
- Use the cases provided to store the equipment.
- Secure the equipment during transportation in order to avoid transport damage and accidents.
- Store the equipment in a lockable area so that it is out of reach of children and unauthorized persons.
- Store the machine and its equipment in a dry and frost proof place.
- Do not expose the machine to temperatures exceeding 45°C or to direct sunlight.

# MENU SYSTEM

## General

Use the arrow keys (2) to scroll in the menus and the "OK" button (1) to confirm the selection. Use the "back" button (3) to go back in the menus.



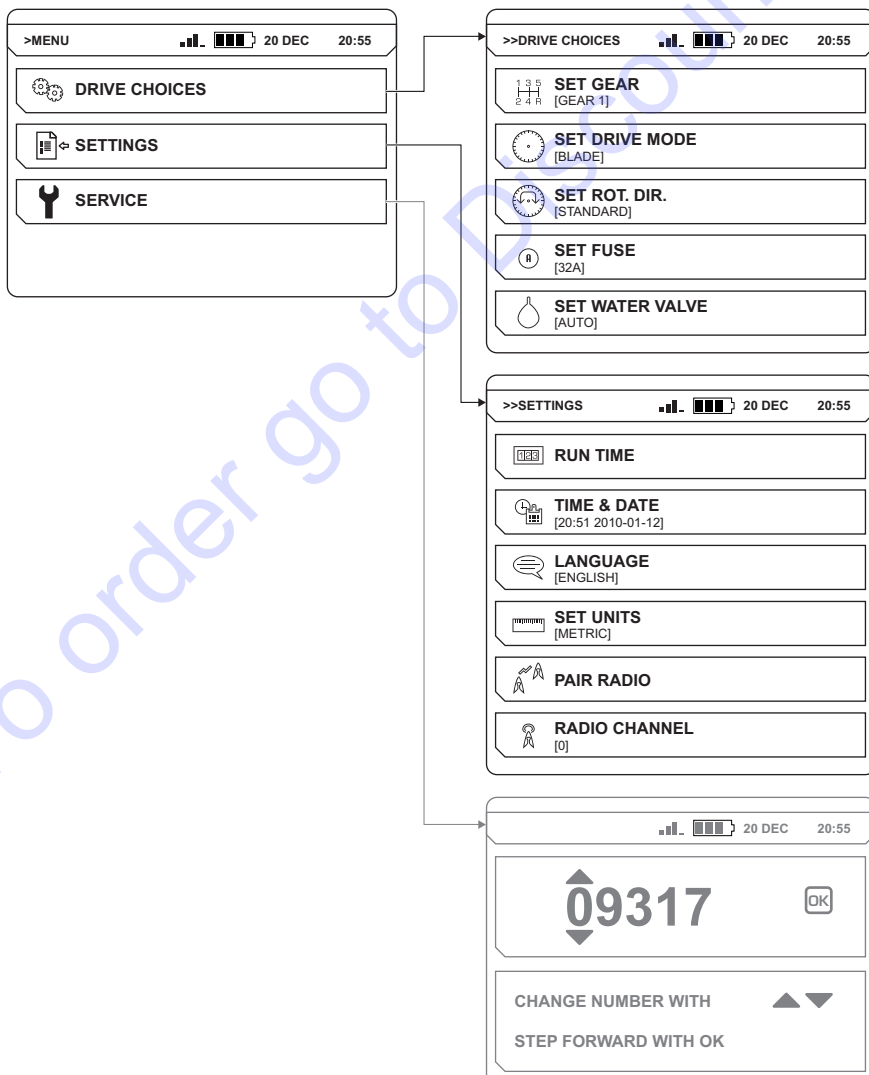
The menu system for the remote control can be accessed by pressing the "OK" button.

The menu system comprises the following submenus:

- DRIVE CHOICES
- SETTINGS
- SERVICE

The service menu is password protected. Service personnel only have access to the settings in this menu to perform servicing.

## Menu overview



# MENU SYSTEM

## DRIVE CHOICES

### SET GEAR (WS 482 HF)

WS 482 HF is fitted with two mechanical gears. State which gear is set. Choose from between the following options:

- 1. (600-900 rpm)
- 2. (800-1200 rpm)

### SET DRIVE MODE

Set the required drive mode depending on if the power unit will be used for wall sawing or wire cutting. Choose from between the following options:

- BLADE (wall sawing)
- WIRE (wire cutting)

NOTE! Performance cannot be guaranteed if the drive choice and the application do not match.

### SET ROT. DIR.

The direction of rotation can only be altered when the blade/wire is not moving.

Select the required direction of rotation. Choose from between the following options:

- STANDARD
- REVERSE

### SET FUSE

State which fuse the power unit is connected to. Choose from between the following options:

- 16A
- 25A
- 32A

To be able to use full power output, the power unit must be connected to a 32 A fuse. With a 16 A or 25 A fuse the power output is lower so as not to overload the fuse.

### SET WATER VALVE

Used to control the water valve in the power unit.

- "ON" - The water valve is always open.
- "AUTO" - The water valve opens when the rotation control is turned up from its zero setting. Otherwise the water valve is closed.

The water flow is adjusted with the ball valve at the incoming water connector on the power pack.

## SETTINGS

### RUN TIME

#### STOP WATCH

On activation, a stop-watch is started to count the time the blade/wire rotates and at least one feed is active.

#### RESET STOP-WATCH

Used to reset the stop-watch.

### TIME & DATE

#### SET TIME

State the current time.

#### SET DATE

State the current date.

#### TIME FORMAT

Select the required time format. Choose from between the following options:

- 12 h
- 24 h

#### DATE FORMAT

Select the required date format. Choose from between the following options:

- YYYY-MM-DD
- YYYY/DD/MM
- DD/MM/YYYY

#### SET LANGUAGE

Select the required display language.

#### SET UNITS

Select the required units. Choose from between the following options:

- AMERICAN
- METRIC

#### PAIR RADIO

Pair remote control with machine.

#### RADIO CHANNEL

The remote control must be connected to machine with a CAN cable.

Select the required radio channel. Choose from between the following options:

- 0 (2.410 GHz)
- 1 (2.415 GHz)
- ...
- 11 (2.465 GHz)

# STARTING AND STOPPING

## Before starting



**WARNING!** Please read the operator's manual carefully and make sure you understand the instructions before using the machine.

Wear personal protective equipment. See instructions under the heading "Personal protective equipment".

Make sure no unauthorised persons are in the working area, otherwise there is a risk of serious personal injury.

Check that the machine is assembled correctly and do not show any signs of damage. See instructions in the section "Assembling and adjustments".

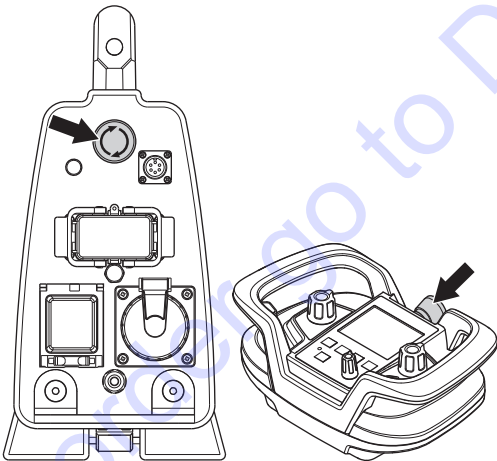
- Perform daily maintenance. See instructions in the section "Maintenance".

Before starting the saw, check that:

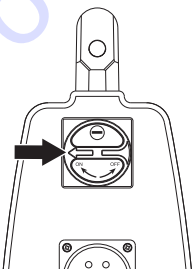
- The incoming electrical cable has been connected to a fuse rated at least 16 A.
- All controls on the remote control have been set to zero position. If this is not done, a message in the display will prompt this when the start button is pushed.

## Starting

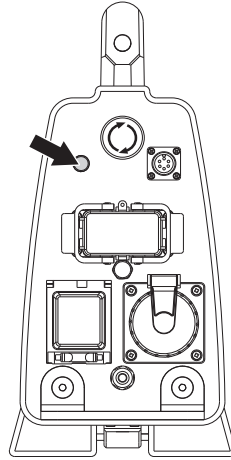
- Check that the emergency stop button on the power pack and the stop button on the remote control are not pressed by turning them clockwise.



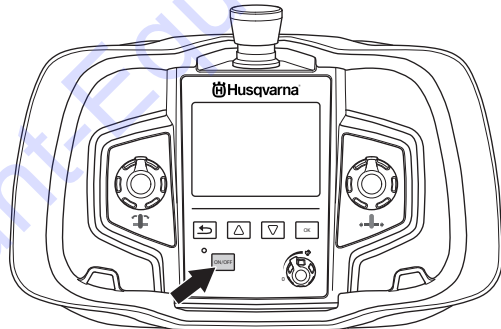
- Turn the main switch to "1"-position.



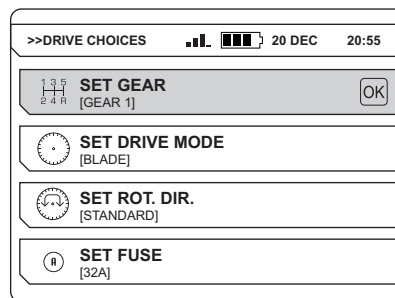
- The power pack is activated and this is shown by the indicator light shining. If the water valve is set to "AUTO" it is now shut off. This valve opens again when the blade rotation is started.



- Activate the remote control by pressing the "ON/OFF" button.



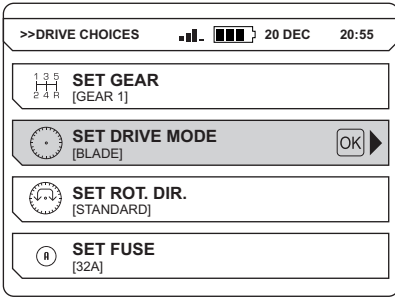
- WS 482 HF is fitted with two mechanical gears. State which gear is set. (DRIVE CHOICES>SET GEAR) For more information on recommended blades and speeds, see "Recommended blade speeds" in the "Technical data" section.



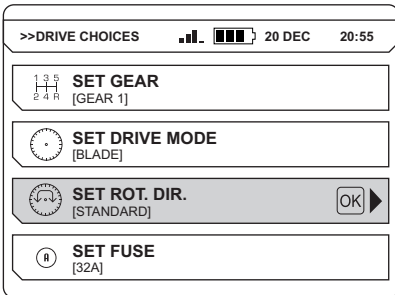
**CAUTION!** A higher speed than the recommended speed can result in personal injury and damage to the equipment.

# STARTING AND STOPPING

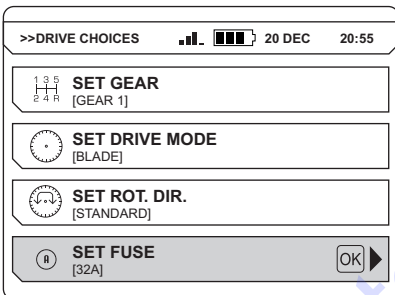
- Set the required drive mode depending on if the power unit will be used for wall sawing or wire cutting. (DRIVE CHOICES>SET DRIVE CHOICES)



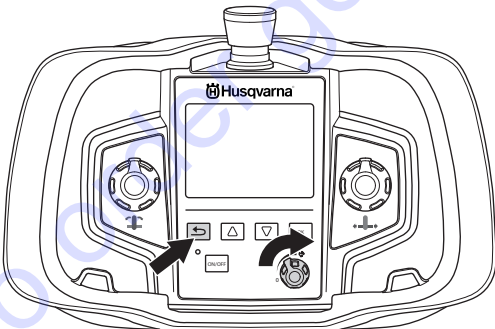
- Select the required direction of rotation. The direction of rotation can only be altered when the blade/wire is not moving. (DRIVE CHOICES>SET ROT. DIR.)



- State which fuse the power unit is connected to. (DRIVE CHOICES>SET FUSE)



- Start the rotation of the blade/wire by holding the "back" button in while turning the rotation control clockwise.

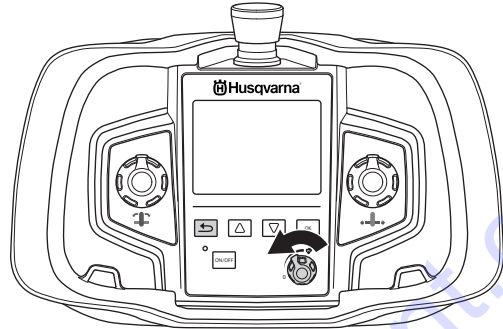


If the water valve is set to "AUTO" there is a 3 second delay before the blade rotation begins. The delay is to cool down the power pack which can get hot when active and no cooling water is circulating.

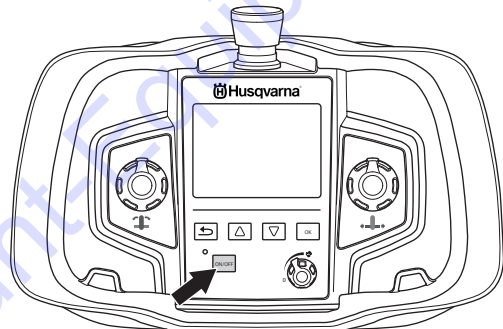
The water flow is adjusted with the ball valve at the incoming water connector on the power pack.

## Stopping

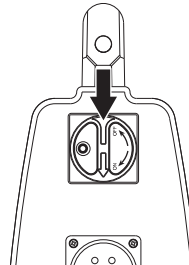
- To switch off the blade rotation, turn the blade rotation control anti-clockwise back to its zero position.



- The water coolant is turned off automatically with a 3 sec delay. Applies only if the water valve is set to "AUTO".
- Turn off the remote control by pressing the "ON/OFF" button.



- Turn the main switch on the power pack to "0"-position.





---

# MAINTENANCE

---

## General



**WARNING! The user must only carry out the maintenance and service work described in this manual. More extensive work must be carried out by an authorized service workshop.**

The life span of the machine can be reduced and the risk of accidents can increase if machine maintenance is not carried out correctly and if service and/or repairs are not carried out professionally. If you need further information please contact Discount-equipment.

## Daily maintenance

- Check that the machine's safety equipment is undamaged. See instructions in the section "Machine's safety equipment".
- Check that the cord and extension cord are intact and in good condition.
- Always clean all the equipment at the end of the working day. Use a heavy-duty hand-held brush or a large paint brush.
- Make sure to keep the connectors and pins clean. Clean with a rag or brush.

**NOTICE! Do not use a high pressure washer to clean the machine. The high pressure jet can damage seals and lead to water and dirt permeating into the machine, resulting in serious damage.**

## Service



**WARNING! All types of repairs may only be carried out by authorised repairmen. This is so that the operators are not exposed to great risks.**

After 100 hours of operation, the message "Time for servicing" is displayed. The entire equipment shall then be taken to an authorized Husqvarna dealer for servicing. The message reappears 100 hours after each service.

## Error messages

In case of any defects, an error message appears on the display. Follow the directions supplied or contact Discount-equipment.

# MAINTENANCE

Fault Code	Error message	Procedure	Steps
F01	MOTOR OVERHEATED	Water coolant lacking/ insufficient to saw motor.	Check that the water coolant flows to the saw motor and that it is max. 25°C and min 3.5 l/ min.
F02	POWER PACK OVERHEATED	Water coolant lacking/ insufficient to power pack.	Check that the water coolant flows to the power pack and that it is max 25°C and min 3.5 l/min. If the message pops up when the blade rotation is started - go to the operations menu and "Water coolant" and select "ON". Let the water coolant circulate the power pack for a minute before you turn the blade rotation on again.
F03	LOW VOLTAGE	Low voltage supply to the power pack.	Check the voltage during operation. Check that all three phases exist. Check that incoming cables have sufficient cross-sectional area.
F04	HIGH VOLTAGE	High voltage supply to the power pack.	Check the voltage during operation. This message is shown mainly when using a generator as power source.
F05	OVER CURRENT	Over current to saw motor	Check that the power lead is fitted correctly and that it is not damaged. The message can appear in case of a loose contact.
F06	NO HALLSENSOR LENGTH	Fault on HALL-sensor card for travel feed	Take the equipment to an authorized service shop.
F07	NO HALLSENSOR ARM	Fault on HALL-sensor card for depth feeding	Take the equipment to an authorized service shop.
F08	TRAVEL MOTOR OVERLOADED	Travel motor overloaded.	To reset, reverse the feeding function. If the fault message returns, grease the feeder gears, clean the rails and adjust the saw carriage. If this does not help, hand in the equipment to an authorized Husqvarna service workshop.
F09	DEPTH MOTOR OVERLOADED	Depth motor overloaded.	To reset, reverse the feeding function. If the fault message returns, grease the feeder gears. If this does not help, hand in the equipment to an authorized Husqvarna service workshop.
F10	BLADE JAM	Blade can not rotate.	Remove the blade from the cut and start the blade rotation.
F11	GROUND FAULT OR NO SAW HEAD	Incorrect earthing of power pack/saw or no saw unit connected to the power pack.	Check the incoming electrical connection to the power pack and that the saw unit is connected to the power pack. If this does not help, hand in the equipment to an authorized Husqvarna service workshop.
F12	NON-COMPATIBLE SAW UNIT	Incorrect saw unit connected to the power pack.	Connect a compatible saw unit to the power pack.
F13	NO CONTACT CHECK CAN-CABLE	No contact between power pack and remote control	Replace the CAN-cable.
F14	NO RADIO CONTACT	No radio contact between remote control and power pack.	Check that the power pack is activated and that the green indicator light is on. If this does not help, hand in the equipment to a Husqvarna service workshop. The machine can be used with the CAN cable between the power pack and remote control.

# TECHNICAL DATA

## PP 480 HF

Max. output, kW	20 (32 A)
Rated current, A	16-32
Input voltage, V	380-480 V, 50-60 Hz
Output voltage, V	340 V, 0-500 Hz
Sec. output voltage, V	24 V, 0-1500 Hz
Power supply	3P+PE (4-pin) / 3P+N+PE (5-pin)
1x230V one phase outlet	Only 5-pin machines

### Effect generator - min., kWA

400V, 16A	12
400V, 25A	20
400V, 32A	24

### Weight, kg/lbs

Power pack	23/51
Remote control, with battery, without carry strap	1,1/2,4

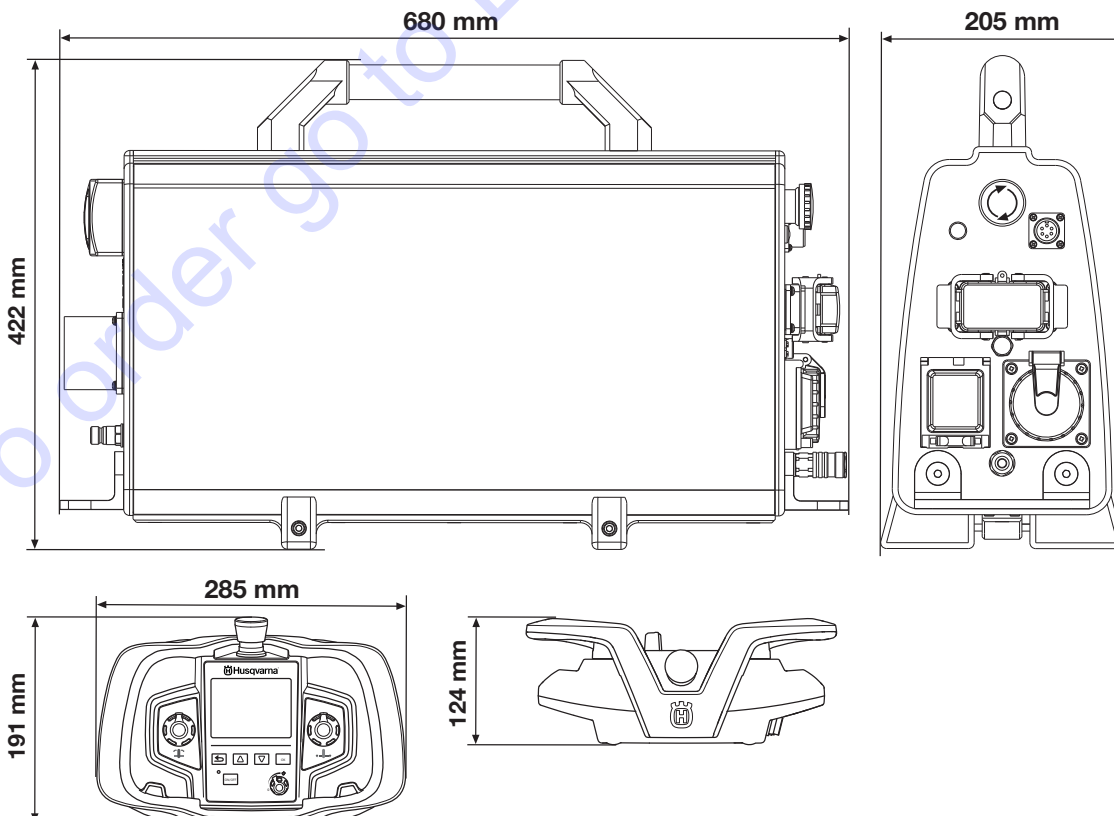
### Water cooling

Cooling water pressure - max, bar	7
Water coolant flow min., l/min	3,5
Max cooling water temperature at 3,5 l/min, °C	25

### Control system

Control type	Remote control
Signal transmission	Wireless/cable

### Dimensions



# TECHNICAL DATA

## Blade

### Recommended blade speed



**WARNING!** Cutting at too high revs can cause damage to the blade and lead to personal injury.

Speed, rpm	
Gear 1	600-900
Gear 2	800-1200

When sawing at 800-900 rpm, a higher sawing output is obtained if gear 1 is used.

Follow the blade manufacture's recommendations regarding material and blade speed when choosing blade. When cutting in hard concrete, a lower speed or a more shallow cut is required compared to cutting in soft concrete.

	600 mm (24")	800 mm (32")	1000 mm (40")	1200 mm (48")	1600 mm (63")
600 rpm					
700 rpm					
800 rpm					
900 rpm					
1000 rpm					
1100 rpm					
1200 rpm					

Concrete	
	Hard
	Medium
	Soft

To order go to Discount-Equipment.com

# EXPLICATION DES SYMBOLES

## Symboles sur la machine

**AVERTISSEMENT!** La machine utilisée de manière imprudente ou inadéquate peut devenir un outil dangereux, pouvant causer des blessures graves voire mortelles à l'utilisateur et aux autres personnes présentes.



Lire attentivement et bien assimiler le manuel d'utilisation avant d'utiliser la machine.



Toujours utiliser:

- Casque de protection homologué
- Protecteurs d'oreilles homologués
- Lunettes protectrices ou visière



**AVERTISSEMENT!** Courant élevé.



**Marquage environnemental.** Ce symbole figurant sur le produit ou sur son emballage indique que ce produit ne peut pas être traité comme déchet ménager. Il doit être collecté et amené à une installation de récupération appropriée de déchets d'équipements électriques et électroniques.



En veillant à ce que ce produit soit correctement éliminé, vous pouvez contribuer à prévenir les conséquences négatives potentielles sur l'environnement et les hommes, qui pourraient sinon être le résultat d'un traitement incorrect des déchets de ce produit.

Pour des informations plus détaillées sur le recyclage de ce produit, contactez votre commune ou le magasin où vous avez acheté le produit.

**Les autres symboles/autocollants présents sur la machine concernent des exigences de certification spécifiques à certains marchés.**

## Explication des niveaux d'avertissement

Il existe trois niveaux d'avertissement.

### AVERTISSEMENT!



**AVERTISSEMENT!** Symbole utilisé en cas de risque de blessures très graves ou de mort pour l'utilisateur ou de dommages pour les environs si les instructions du manuel ne sont pas suivies.

### REMARQUE !



**REMARQUE !** Symbole utilisé en cas de risque de blessures pour l'utilisateur ou de dommages pour les environs si les instructions du manuel ne sont pas suivies.

### ATTENTION !

**ATTENTION !** Symbole utilisé en cas de risque de dommages pour les matériaux ou la machine si les instructions du manuel ne sont pas suivies.

# SOMMAIRE

## Sommaire

### EXPLICATION DES SYMBOLES

Symboles sur la machine .....	21
Explication des niveaux d'avertissement .....	21

### SOMMAIRE

Sommaire .....	22
----------------	----

### PRÉSENTATION

Cher client, .....	23
Fonctions .....	23

### PRÉSENTATION

Quoi est quoi dans le groupe moteur ? .....	24
---	----

### ÉQUIPEMENT DE SÉCURITÉ DE LA MACHINE

Généralités .....	25
Bouton de démarrage .....	25
Arrêt d'urgence et bouton d'arrêt .....	25
Interrupteur principal .....	25
Disjoncteur de fuite à la terre .....	25

### MONTAGE ET RÉGLAGES

Branchez une source électrique .....	26
Raccordez l'eau de refroidissement .....	26
Batterie .....	26
Paramètres de logiciel .....	27

### COMMANDE

Équipement de protection .....	28
Instructions générales de sécurité .....	28
Sécurité du travail .....	29
Techniques de travail de base .....	30
Transport et rangement .....	30

### SYSTÈME DE MENUS

Généralités .....	31
Vue d'ensemble des menus .....	31
CHOIX ENTRAINMT .....	32
PARAMÈTRES .....	32

### DÉMARRAGE ET ARRÊT

Avant le démarrage .....	33
Démarrage .....	33
Arrêt .....	34

### ENTRETIEN

Généralités .....	35
Entretien quotidien .....	35
Service .....	35
Messages d'erreur .....	35

### CARACTÉRISTIQUES TECHNIQUES

PP 480 HF .....	37
-----------------	----

### DECLARATION DE GARANTIE ETATS-UNIS

POLITIQUE DE GARANTIE .....	39
EQUIPEMENT .....	39

# PRÉSENTATION

## Cher client,

Nous vous remercions d'avoir choisi un produit Husqvarna !

Nous espérons que cette machine vous donnera toute satisfaction et qu'elle vous accompagnera pendant de longues années. L'achat de l'un des nos produits garantit une assistance professionnelle pour l'entretien et les réparations. Si la machine n'a pas été achetée chez l'un de nos revendeurs autorisés, demandez l'adresse de l'atelier d'entretien le plus proche.

Ce mode d'emploi est précieux. Veillez à ce qu'il soit toujours à portée de main sur le lieu de travail. En suivant les instructions qu'il contient (utilisation, révision, entretien, etc.), il est possible d'allonger considérablement la durée de vie de la machine et d'augmenter sa valeur sur le marché de l'occasion. En cas de vente de la machine, ne pas oublier de remettre le manuel d'utilisation au nouveau propriétaire.

## Plus de 300 ans d'innovation

Husqvarna AB est une entreprise suédoise qui a vu le jour en 1689 lorsque le roi Karl XI décida de construire un arsenal pour la fabrication des mousquets. À l'époque, les compétences en ingénierie à la base du développement de certains des produits leaders du marché mondial dans des domaines tels que les armes de chasse, les vélos, les motocycles, l'électroménager, les machines à coudre et les produits d'extérieur, étaient déjà solides.

Husqvarna est le premier fournisseur mondial de produits motorisés pour utilisation en extérieur dans la foresterie, l'entretien de parcs, de pelouses et de jardins, ainsi que d'équipements de coupe et d'outils diamant destinés aux industries de la construction et de la pierre.

## Responsabilité de l'utilisateur

Il est de la responsabilité du propriétaire/de l'employeur de s'assurer que l'utilisateur possède les connaissances nécessaires pour manipuler la machine en toute sécurité. Les responsables et les utilisateurs doivent avoir lu et compris le Manuel d'utilisation. Ils doivent avoir conscience :

- Des instructions de sécurité de la machine.
- Des diverses applications de la machine et de ses limites.
- De la façon dont la machine doit être utilisée et entretenue.

La législation nationale peut réglementer l'utilisation de cette machine. Recherchez la législation applicable dans le lieu où vous travaillez avant d'utiliser la machine.

## Droit de réserve du fabricant

Toutes les informations et toutes les données indiquées dans ce manuel d'utilisation étaient valables à la date à laquelle ce manuel a été porté à l'impression.

Husqvarna AB travaille continuellement au développement de ses produits et se réserve le droit d'en modifier, entre autres, la conception et l'aspect sans préavis.

## Fonctions

Les produits Husqvarna se distinguent par des valeurs telles que la haute performance, la fiabilité, la technologie innovante, les solutions techniques de pointe et les considérations environnementales.

Certaines des caractéristiques uniques de votre produit sont décrites ci-dessous.

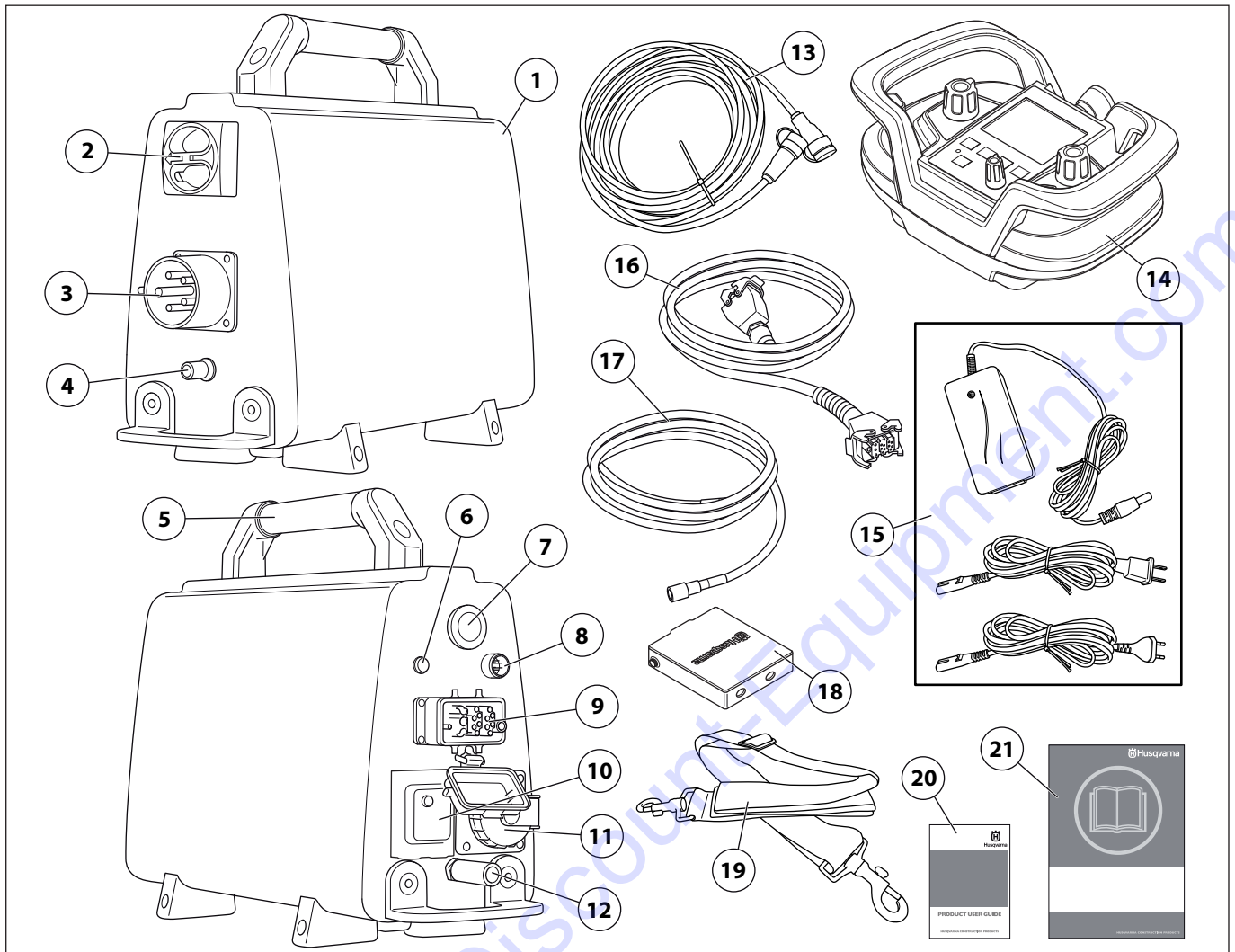
## Groupe moteur

- Le PP 480 HF est un groupe moteur spécialement conçu pour une utilisation avec la scie murale électrique WS 482 HF.
- Son design est compact et il ne pèse que 23 kg (51 lb).
- Pour une pleine puissance, il convient d'utiliser 32 A pour un système 400 V.
- L'unité électrique est branchée à la tronçonneuse par un seul câble électrique et un seul flexible d'eau de refroidissement.
- Equipé d'une prise électrique de 230 V et d'un terminal pour câble CAN.
- Equipé d'une valve d'eau électrique contrôlé depuis la commande à distance.

## Télécommande sans fil

- Offre à l'utilisateur une liberté de mouvement et un bon aperçu du travail effectué.
- Facile à utiliser, même avec des gants. Quelques boutons suffisent pour modifier les paramètres et commander la machine.
- Écran couleurs 3,5 pouces.

# PRÉSENTATION



## Quoi est quoi dans le groupe moteur ?

- |  |   |
|--|---|
| 1 Groupe moteur  | 11 Prise monophasée - Uniquement machines 5 broches |
| 2 Interrupteur principal   | 12 Raccord de l'eau, sortie                         |
| 3 Prise électrique   | 13 Câble CAN  |
| 4 Raccord de l'eau, entrée   | 14 Commande à distance                              |
| 5 Poignée  | 15 Chargeur de batterie                             |
| 6 Indicateur de courant  | 16 Câble électrique                                 |
| 7 Arrêt d'urgence  | 17 Flexible à eau                                   |
| 8 Port CAN   | 18 Batterie (2)                                     |
| 9 Branchement des câbles   | 19 Courroie de transport ajustable                  |
| 10 Disjoncteur de fuite à la terre - Uniquement machines 5 broches | 20 Manuel d'utilisation                             |
|  | 21 DVD - Manuel d'utilisation du produit            |



# ÉQUIPEMENT DE SÉCURITÉ DE LA MACHINE

## Généralités

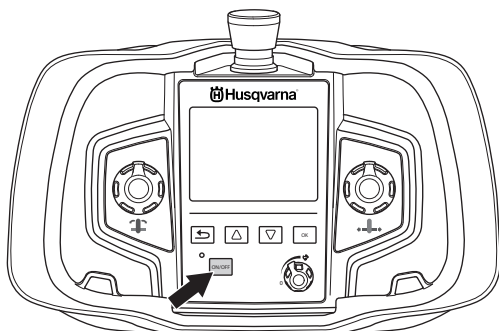


**AVERTISSEMENT!** Ne jamais utiliser une machine dont les équipements de sécurité sont défectueux. Contrôler et entretenir les équipements de sécurité de la machine conformément aux instructions données dans ce chapitre. Si les contrôles ne donnent pas de résultat positif, confier la machine à un atelier spécialisé.

Ce chapitre présente les équipements de sécurité de la machine, leur fonction, comment les utiliser et les maintenir en bon état.

## Bouton de démarrage

Le bouton sert à activer la télécommande.

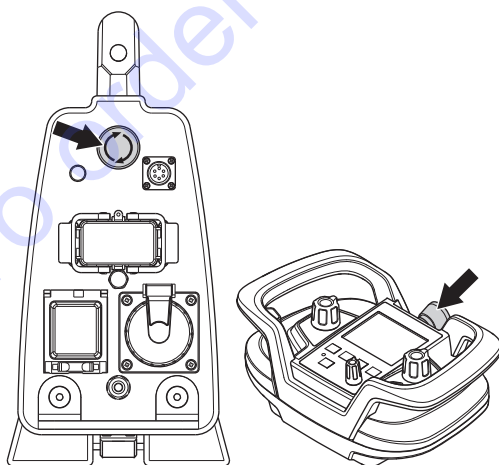


## Contrôle du bouton de démarrage

- Activez la télécommande en appuyant sur le bouton « marche/arrêt ». Laissez la télécommande se charger complètement et attendez que l'écran d'accueil s'affiche.
- Éteignez la télécommande en appuyant sur le bouton « marche/arrêt ».

## Arrêt d'urgence et bouton d'arrêt

Le groupe moteur est équipé d'un arrêt d'urgence et la commande à distance, d'un bouton d'arrêt. Ils sont habituellement utilisés pour arrêter rapidement le groupe moteur.

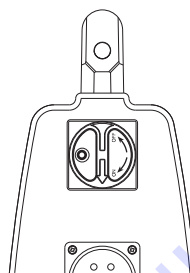


## Contrôle de l'arrêt d'urgence et du bouton d'arrêt

- Démarrez la rotation de la lame.
- Appuyer sur l'arrêt d'urgence sur le groupe moteur et vérifier si la lame s'arrête de tourner. Contrôler le bouton d'arrêt de la commande à distance de la même façon.

## Interrupteur principal

L'interrupteur principal est utilisé pour allumer et éteindre l'alimentation électrique du groupe moteur. L'interrupteur principal doit être en position "0" quand le câble d'alimentation est raccordé.

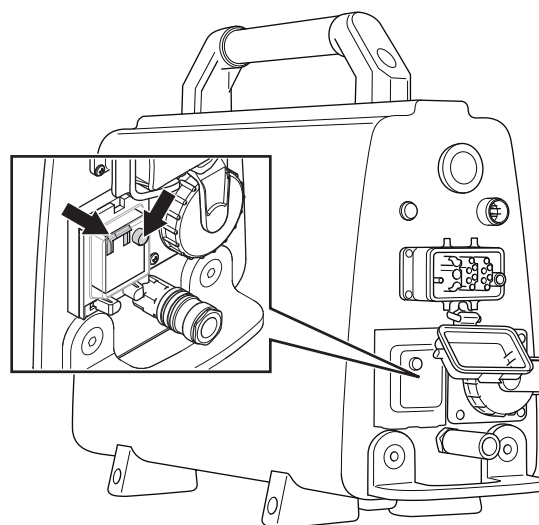


## Contrôle de l'interrupteur principal

- Mettre l'interrupteur principal en position "0".
- Essayer de démarrer la scie.  
La scie ne doit pas démarrer.

## Disjoncteur de fuite à la terre (Uniquement sur les machines 5 broches)

La prise monophasée de l'unité électrique est équipée d'un disjoncteur de fuite à la terre. Les disjoncteurs de fuite à la terre constituent une protection si un défaut d'origine électrique survient.



## Vérifiez le disjoncteur de fuite à la terre

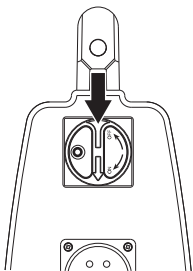
- Placer l'interrupteur principal sur la position "1".
- Appuyez sur le bouton de test jaune. Le disjoncteur de fuite à la terre doit s'enclencher et le fusible automatique s'éteindre.
- Réinitialisez le disjoncteur de fuite à la terre en repliant le fusible automatique.

# MONTAGE ET RÉGLAGES

## Branchez une source électrique

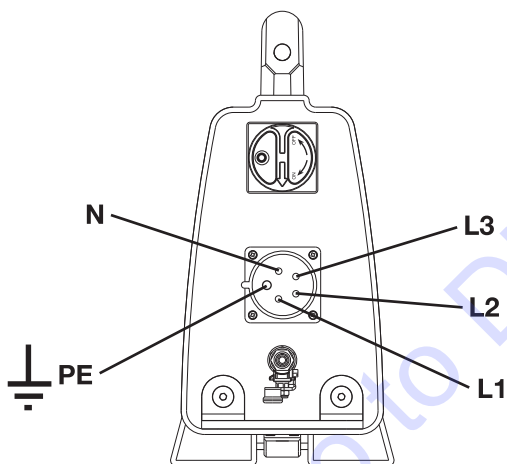
Après avoir été transportée à un emplacement approprié, la machine doit être branchée:

- Mettre l'interrupteur principal en position "0".



- Brancher le câble d'alimentation électrique (380-480 V, 32 A, prise européenne). Les groupes moteurs équipés d'une prise monophasée (230 V) doivent également disposer d'un fil neutre afin que la prise puisse fonctionner. Le bloc d'alimentation fonctionne même s'il n'y a pas de fil neutre.

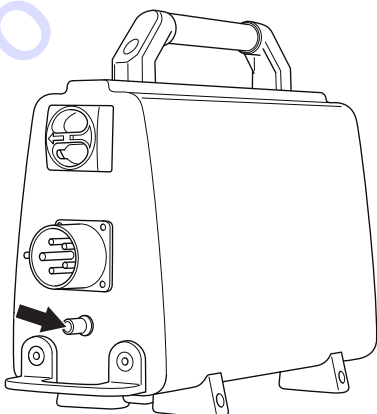
Pour pouvoir utiliser la pleine puissance de sortie du groupe moteur, il convient de le raccorder à un fusible 32 A. En cas de fusible 16 A ou 25 A, la puissance est inférieure de façon à ne pas surcharger le fusible. La sélection se fait lors du démarrage du groupe moteur.



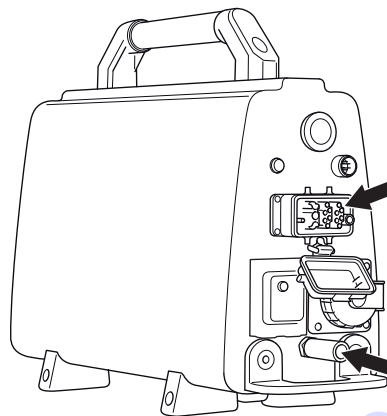
## Raccordez l'eau de refroidissement

- Raccorder le flexible à eau au connecteur d'arrivée d'eau.

Le groupe moteur est équipé d'une valve d'eau électrique, qui se ferme lorsque le groupe moteur est activé. Quand le groupe moteur n'a pas d'électricité, la valve s'ouvre pour permettre la vidange d'eau de refroidissement afin d'éviter tout risque de gel.



- Brancher le câble électrique et le flexible d'eau fournis entre le groupe moteur et l'unité de sciage.



## Batterie

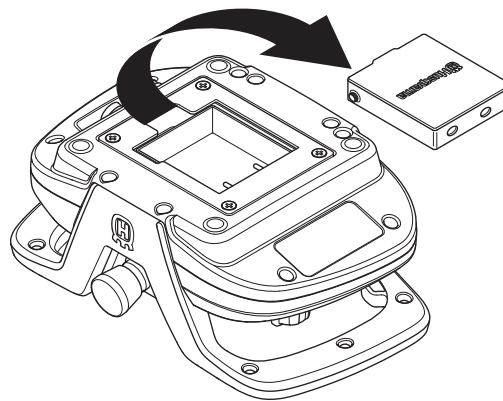
La batterie est de type Li-ion. La durée de fonctionnement est d'environ 8-10 heures par charge. Le froid extrême amoindrit la capacité et la durée de fonctionnement de la batterie. La durée de fonctionnement diminue également à mesure que l'écran est actif.

Utilisez uniquement des batteries d'origine pour ce produit. Contactez votre revendeur pour de plus amples informations.

Une batterie usée ne doit pas être jetée comme un déchet domestique ! Déposez-la dans l'atelier spécialisé ou le point de collecte le plus proche de chez vous.

## Insérez / retirez la batterie

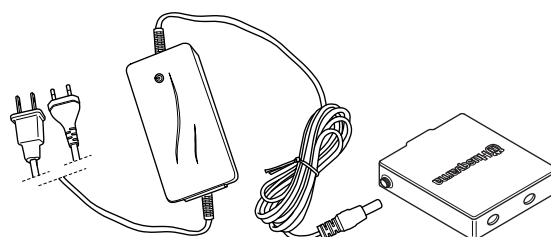
- Insérez / retirez la batterie.



## Charge de la batterie

Il faut charger la batterie avant de pouvoir utiliser la commande à distance pour la première fois.

## Charge avec le chargeur de batterie



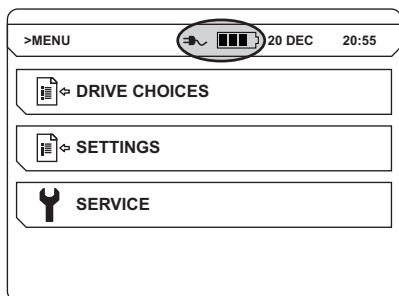
# MONTAGE ET RÉGLAGES

Le temps de chargement d'une batterie à plat est d'environ 2-3 heures. La diode est orange lorsque le chargement démarre et devient verte lorsque la batterie est pleine. Lorsque la batterie est pleine, le chargeur envoie à la batterie un courant de service jusqu'à ce qu'il soit débranché.

Gardez le chargeur de la batterie au sec et à l'abri des variations de température.

## À charger avec le câble CAN

La batterie se charge lorsque le câble CAN de l'unité électrique est relié à la télécommande. Un symbole de batterie rouge sur la télécommande l'indique.



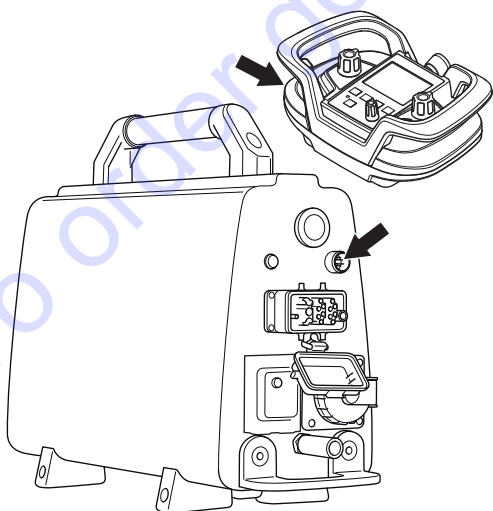
Si la batterie est retirée pendant que la télécommande est reliée au câble CAN, le symbole de batterie sur la télécommande sera barré pour indiquer qu'aucune batterie n'est disponible.

## Paramètres de logiciel

### Appariez la télécommande avec l'unité électrique

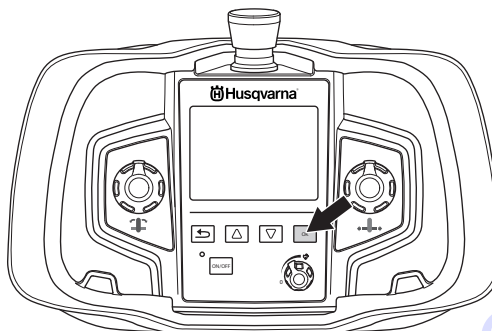
Il convient d'apparier la télécommande et l'unité électrique la première fois que la télécommande est branchée. Il s'agit d'une mesure de sécurité visant à garantir que l'unité électrique ne puisse être contrôlée que par une seule télécommande. La télécommande ne peut être utilisée qu'une fois cette opération effectuée.

- Connecter la commande à distance à l'aide du câble CAN joint à la livraison. Visser le contact du câble à la main.

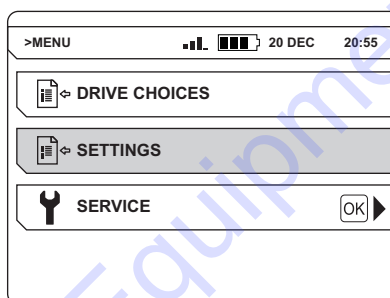


- Laissez la télécommande se charger complètement et attendez que l'écran d'accueil s'affiche.

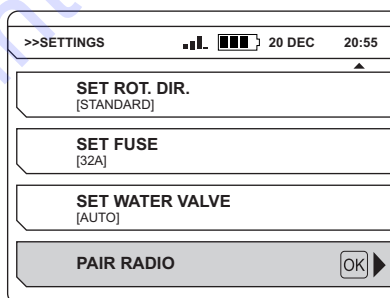
- Appuyez sur le bouton « OK » pour accéder au menu.



- Allez dans « PARAMÈTRES ». Utiliser les flèches et confirmer avec "OK".



- Allez dans « APPARIER RADIO ». Utiliser les flèches et confirmer avec "OK".



Un message s'affiche à l'écran pour indiquer si l'appariement a été réalisé avec succès ou non. Réessayez si l'appariement échoue.

### Autres paramètres de logiciel

Il convient d'effectuer certains réglages supplémentaires avant de mettre l'unité électrique en service. Voir les instructions de la rubrique « Système de menus » pour de plus amples informations.

- Réglage de l'heure et de la date. (PARAMÈTRES>HEURE & DATE)
- Sélection de la langue d'affichage requise. (PARAMÈTRES>RÉGLER LANGUE)
- Sélection des unités requises. (PARAMÈTRES>RÉGLER UNITÉS)

# COMMANDE

## Équipement de protection

### Généralités

Ne jamais utiliser une machine s'il n'est pas possible d'appeler au secours en cas d'accident.

### Équipement de protection personnelle

Un équipement de protection personnelle homologué doit impérativement être utilisé lors de tout travail avec la machine. L'équipement de protection personnelle n'élimine pas les risques mais réduit la gravité des blessures en cas d'accident. Demander conseil au concessionnaire afin de choisir un équipement adéquat.



**AVERTISSEMENT!** L'utilisation de produits tels que des ciseaux, des disques, des forets, des disques fins ou des formes peut générer de la poussière et des vapeurs pouvant contenir des substances chimiques toxiques. Vérifiez la composition du matériel avec lequel vous travaillez et portez un masque respiratoire adapté.



**AVERTISSEMENT!** Une exposition prolongée au bruit risque de causer des lésions auditives permanentes. Toujours utiliser des protecteurs d'oreille agréés. Soyez toujours attentifs aux signaux d'alerte ou aux appels en portant des protège-oreilles. Enlevez-les s'il le moteur arrêté.



**AVERTISSEMENT!** Le risque de coincement est toujours présent lors de travail avec des produits comportant des éléments mobiles. Utiliser des gants de protection pour éviter les blessures personnelles.

Toujours utiliser:

- Casque de protection
- Protecteur d'oreilles
- Lunettes protectrices ou visière
- Masque respiratoire
- Gants solides permettant une prise sûre.
- Vêtements confortables, robustes et serrés qui permettent une liberté totale de mouvement.
- Bottes avec coquille en acier et semelle antidérapante

Attention! Les habits, les cheveux longs et les bijoux peuvent se coincer dans les parties en mouvement.

## Autre équipement de protection



**AVERTISSEMENT!** Lorsque vous travaillez avec la machine, des étincelles peuvent se former et mettre le feu. Gardez toujours à portée de main les outils nécessaires à l'extinction d'un feu.

- Matériel de protection contre le feu
- Une trousse de premiers secours doit toujours être disponible.

## Instructions générales de sécurité



**AVERTISSEMENT!** Lire toutes les consignes et instructions de sécurité. Le non-respect des consignes et instructions peut provoquer une électrocution, un incendie et/ou des blessures graves.

Le présent chapitre décrit les consignes de sécurité de base relatives à l'utilisation de la machine. Aucune de ces informations ne peut remplacer l'expérience et le savoir-faire d'un professionnel.

- Lire attentivement et bien assimiler le manuel d'utilisation avant d'utiliser la machine.
- Veuillez parcourir le manuel fourni avec la scie murale avant de commencer à utiliser le groupe hydraulique.
- N'oubliez pas que l'opérateur est responsable des accidents ou dangers aux tiers et à leurs biens.
- Tous les opérateurs doivent recevoir une formation sur l'utilisation de la machine. Il incombe au propriétaire de garantir que les opérateurs reçoivent une formation.
- La machine doit rester propre. Les signes et autocollants doivent être parfaitement lisibles.



**AVERTISSEMENT!** La machine utilisée de manière imprudente ou inadéquate peut devenir un outil dangereux, pouvant causer des blessures graves voire mortelles à l'utilisateur et aux autres personnes présentes.

Ne jamais permettre à des enfants ou à des personnes ne possédant pas la formation nécessaire d'utiliser ou d'entretenir la machine. Ne jamais laisser d'autres personnes utiliser la machine sans s'être assuré au préalable que ces personnes ont bien compris le contenu du mode d'emploi.

N'utilisez jamais la machine si vous êtes fatigué, avez bu de l'alcool ou pris des médicaments susceptibles d'affecter votre vue, votre jugement ou la maîtrise de votre corps.

# COMMANDE



**AVERTISSEMENT!** Toute modification non autorisée et/ou tout emploi d'accessoires non homologués peuvent provoquer des accidents graves voire mortels pour l'utilisateur et les autres.

Ne modifiez jamais cette machine de façon à ce qu'elle ne soit plus conforme au modèle d'origine et n'utilisez jamais une machine qui semble avoir été modifiée.

Ne jamais utiliser une machine qui n'est pas en parfait état de marche. Suivre dans ce manuel d'utilisation les instructions de maintenance, de contrôle et d'entretien. Certaines mesures de maintenance et d'entretien doivent être confiées à un spécialiste dûment formé et qualifié. Voir au chapitre Entretien.

N'utiliser que des accessoires et des pièces d'origine.

## Utilisez toujours votre bon sens

Il est impossible de mentionner toutes les situations auxquelles vous pouvez être confronté. Soyez toujours vigilant et utilisez l'appareil avec bon sens. Si vous êtes confronté à une situation où vous pensez ne pas être en sécurité, arrêtez immédiatement et consultez un spécialiste. Veuillez contacter votre revendeur, votre atelier de réparation ou un utilisateur expérimenté. Il convient d'éviter tous les travaux pour lesquels vous ne vous sentez pas suffisamment qualifié !

## Sécurité du travail

### Sécurité dans l'espace de travail

- Maintenir un espace de travail propre et bien éclairé. Les espaces encombrés ou sombres exposent à des accidents.
- Contrôlez toujours et marquez les emplacements des conduites de gaz. Scier près d'une conduite de gaz est toujours synonyme de danger. Veillez à éviter la formation d'étincelles lors du sciage en raison d'un certain risque d'explosion. L'opérateur doit toujours être attentif et concentré sur son travail. La négligence peut causer des blessures personnelles graves voire mortelles.
- N'utilisez pas la machine dans des milieux présentant un risque d'explosion.
- Assurez-vous qu'aucun tuyau ou câble électrique ne passe dans le matériau à découper ou par la zone de travail.
- Contrôlez que les câbles électriques présents dans la zone de travail ne sont pas sous tension.
- Observez la zone environnante et assurez-vous qu'aucun facteur ne risque d'affecter votre contrôle de la machine.
- Ne pas travailler par mauvais temps: brouillard épais, pluie diluvienne, vent violent, grand froid, etc. Travailler par mauvais temps est fatiguant et peut créer des conditions de travail dangereuses telles que le verglas.
- Ne pas utiliser la machine dans un environnement mouillé ou humide, à proximité d'eau, sous la pluie ou la neige.
- Ne jamais commencer à travailler avec la machine sans avoir le champ libre et les pieds bien daplomb.

## Sécurité électrique



**AVERTISSEMENT!** Il existe toujours un risque de choc avec les machines électriques. Évitez de travailler par mauvais temps ainsi que tout contact du corps avec du métal/un parafoudre. Suivez toujours les instructions du manuel d'utilisation pour éviter tout dommage.



**AVERTISSEMENT!** Ne lavez pas la machine avec de l'eau. Elle peut en effet s'infiltrer dans le système électrique ou le moteur et ainsi endommager la machine ou provoquer un court-circuit.

- Toujours brancher la machine via un disjoncteur de fuite à la terre avec protection personnelle, par exemple un disjoncteur de fuite à la terre qui s'enclenche à un défaut à la terre de 30 mA.
- La machine doit être branchée à une prise de terre.
- Contrôler que la tension secteur est conforme aux indications sur la plaque de la machine.
- Contrôler que le câble et la rallonge sont entiers et en bon état. Utilisez toujours des câbles de raccordement agréés pour une utilisation à l'extérieur.
- Ne jamais utiliser la machine si tout câble ou bouchon est endommagé. Il convient dès lors de la confier à un atelier d'entretien agréé.
- N'utilisez pas la rallonge lorsqu'elle est enroulée afin d'éviter toute surchauffe.
- Ne tirez jamais la machine par le câble d'alimentation et ne la débranchez jamais en tirant sur le câble.
- Conserver tous les câbles et toutes les rallonges loin de l'eau, de l'huile et des bords tranchants. Veiller à ce que le câble ne soit pas coincé dans des portes, des clôtures ou d'autres équipements similaires. Des objets pourraient alors être sous tension.

## Sécurité du personnel

- N'utilisez jamais la machine si vous êtes fatigué, avez bu de l'alcool ou pris des médicaments susceptibles d'affecter votre vue, votre jugement ou la maîtrise de votre corps.
- Évitez tout démarrage accidentel. Vérifiez que l'interrupteur est en position OFF.
- Ne laissez jamais la machine sans surveillance avec le moteur en marche.
- Débranchez toujours la machine en cas d'interruption prolongée du travail.
- Ne travaillez jamais seul, mais toujours avec une personne à proximité. Cette personne peut aider à monter la machine, mais aussi intervenir en cas d'accident.
- Des personnes ou des animaux peuvent détourner l'attention de l'opérateur et l'amener à perdre le contrôle de la machine. C'est pourquoi l'opérateur doit toujours être attentif et concentré sur son travail.
- Ne sciez jamais d'une manière vous empêchant l'accès au bouton d'arrêt d'urgence.

# COMMANDE

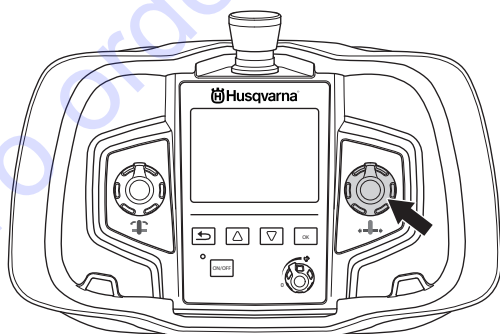
## Utilisation et entretien

- Cette machine est idéale pour le forage dans du béton, de la brique ou divers autres matériaux à base de pierre. Elle peut être utilisée à la fois comme une perceuse manuelle ou rattachée à un bâti de forage.
- La machine est conçue pour des applications industrielles et destinée à des opérateurs expérimentés.
- Les contrôles et/ou les entretiens doivent être effectués avec le moteur à l'arrêt et la prise électrique débranchée.
- La machine présente un couple très élevé. Une concentration élevée est requise dans ce cas pendant le travail car le blocage soudain du foret peut entraîner des blessures graves.
- Ne sollicitez pas la machine excessivement. Une surcharge peut endommager la machine.
- Arrêtez toujours la machine avant de la déplacer.
- Faites preuve de prudence en cas de levage. Le maniement de pièces lourdes implique un risque de coinçage ou autre blessure.
- N'exposez pas la machine à des températures dépassant 45°C ou aux rayons directs du soleil.
- Vérifiez que tous les couplages, raccordements et câbles sont intacts et qu'ils sont propres.
- Vérifiez que tous les câbles et l'arrivée d'eau sont correctement branchés sur la machine avant de la démarrer.
- Ne jamais débrancher le câble d'alimentation électrique sans avoir préalablement éteint le groupe moteur et attendu que le moteur s'arrête complètement. Si vous êtes confronté à une situation d'urgence, appuyez sur le bouton d'arrêt d'urgence rouge sur le groupe moteur ou sur le bouton d'arrêt de la commande à distance.
- Assurez-vous que toutes les pièces sont en état de fonctionnement et que tous les éléments de fixation sont correctement serrés.

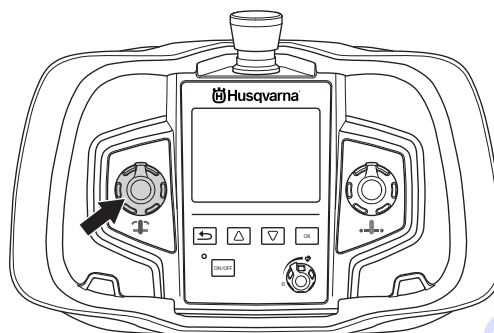
## Techniques de travail de base

Les opérations suivantes peuvent être effectuées à l'aide des leviers de commande de la télécommande :

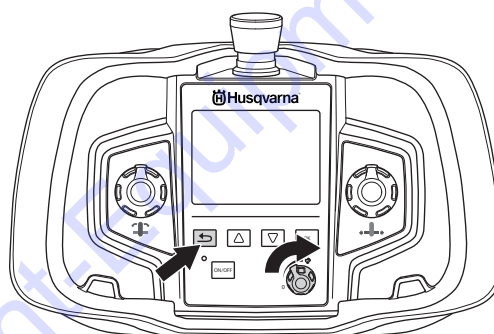
- Alimentation en longueur



- Alimentation en profondeur



- Rotation de lame/câble Démarrez la rotation de la lame / du câble en appuyant un certain temps sur le bouton « retour » tout en tournant la commande du sens de rotation dans le sens des aiguilles d'une montre. Un potentiomètre permet de contrôler la vitesse de rotation.



- Parcourir le manuel fourni avec la scie murale pour davantage d'instructions relatives aux techniques de sciage. Consultez le DVD fourni pour obtenir des conseils sur la méthode de travail.

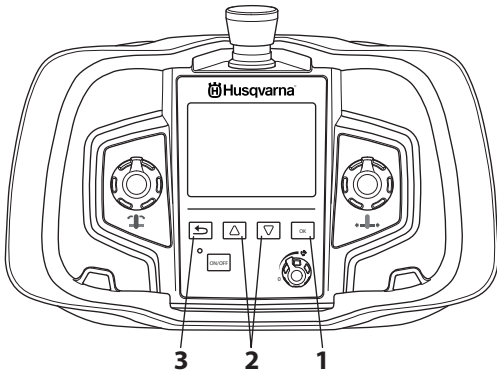
## Transport et rangement

- Veillez à toujours éteindre le groupe moteur et à débrancher le câble électrique avant de déplacer l'équipement.
- Utilisez les boîtes fournies pour le remisage de l'équipement.
- Sécurisez l'équipement lors du transport afin d'éviter tout dommage ou accident.
- Stockez l'équipement dans un endroit verrouillé afin de le maintenir hors de portée des enfants et de toute personne incompétente.
- Rangez la machine et ses équipements dans un endroit sec et à l'abri du gel.
- N'exposez pas la machine à des températures dépassant 45°C ou aux rayons directs du soleil.

# SYSTÈME DE MENUS

## Généralités

Utilisez les flèches (2) pour faire défiler les menus et le bouton « OK » (1) pour confirmer la sélection. Utilisez le bouton « retour » (3) pour retourner aux menus.



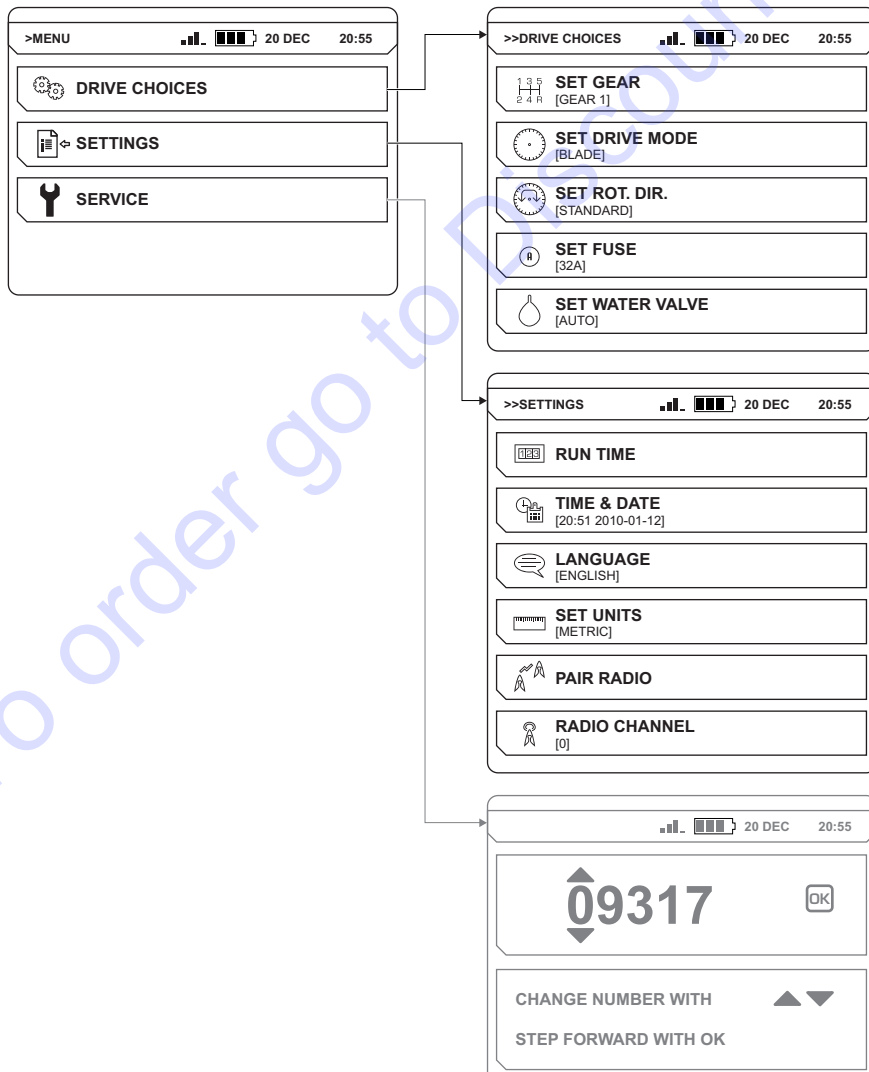
Le système de menus de la télécommande est accessible via le bouton « OK ».

Le système de menus comprend les sous-menus suivants :

- CHOIX ENTRAINMT
- PARAMÈTRES
- SERVICE

Le menu de service est protégé par mot de passe. Le personnel de service a uniquement accès aux paramètres de ce menu afin d'effectuer l'entretien de la machine.

## Vue d'ensemble des menus



# SYSTÈME DE MENUS

## CHOIX ENTRAINMT

### CHOIX RÉGIME (WS 482 HF)

WS 482 HF est équipé de deux vitesses mécaniques. Indiquez la vitesse réglée. Choisissez entre les options suivantes :

- 1. (600-900 rpm)
- 2. (800-1200 rpm)

### RÉGL. MODE ENTR.

Réglez le mode d'entraînement requis en fonction de l'unité électrique utilisée pour le sciage mural ou la découpe au câble. Choisissez entre les options suivantes :

- LAME (sciage mural)
- CÂBLE (découpe au câble)

REMARQUE! De bonnes performances ne peuvent être garanties si le choix d'entraînement ne correspond pas à l'application.

### RÉGL. SENS ROTA

Le sens de rotation ne peut être modifié que lorsque la lame ou le câble sont à l'arrêt.

Sélectionnez le sens de rotation requis. Choisissez entre les options suivantes :

- STANDARD
- INVERSÉ

### CHOIX FUSIBLE

Indiquez à quel fusible l'unité électrique est connectée. Choisissez entre les options suivantes :

- 16A
- 25A
- 32A

Pour pouvoir utiliser la pleine puissance de sortie du groupe moteur, il convient de le raccorder à un fusible 32 A. En cas de fusible 16 A ou 25 A, la puissance est inférieure de façon à ne pas surcharger le fusible.

### RÉGL. VALVE EAU

Utilisé pour contrôler la valve d'eau de l'unité électrique.

- « ON » - La valve d'eau est toujours ouverte.
- « AUTO » - La valve d'eau s'ouvre lorsque la commande de rotation est allumée à partir de sa mise à zéro. Sinon, la valve d'eau est fermée.

Le débit d'eau est réglable à l'aide du robinet à bille placé au niveau du connecteur d'arrivée d'eau sur le groupe moteur.

## PARAMÈTRES

### DUR. FONCTMT

#### MESURE TEMPS

Au moment de l'activation, un chronomètre se met en route et enregistre la durée de rotation de la lame/du câble et d'activation d'au moins une alimentation.

#### RÉINIT. CHRONO

Pour remettre le chronomètre à zéro.

### HEURE & DATE

#### RÉGLER HEURE

Indique l'heure actuelle.

#### RÉGLER DATE

Indique la date du jour.

#### FORMAT HEURE

Sélection du format d'heure requis. Choisissez entre les options suivantes :

- 12 h
- 24 h

#### FORMAT DATE

Sélection du format de date requis. Choisissez entre les options suivantes :

- YYYY-MM-DD
- YYYY/DD/MM
- DD/MM/YYYY

#### SET LANGUAGE

Sélection de la langue d'affichage requise.

#### RÉGLER UNITÉS

Sélection des unités requises. Choisissez entre les options suivantes :

- AMÉRICAIN
- MÉTRIQUE

#### APPARIER RADIO

Apparier la télécommande à la machine.

#### RADIO CHANNEL

La télécommande doit être branchée à la machine via un câble CAN.

Sélectionnez le canal radio requis. Choisissez entre les options suivantes :

- 0 (2.410 GHz)
- 1 (2.415 GHz)
- ...
- 11 (2.465 GHz)



# DÉMARRAGE ET ARRÊT

## Avant le démarrage



**AVERTISSEMENT!** Lire attentivement et bien assimiler le manuel d'utilisation avant d'utiliser la machine.

Utiliser les équipements de protection personnelle. Voir au chapitre "Équipement de protection personnelle".

Veiller à ce qu'aucune personne non autorisée ne se trouve dans la zone de travail pour éviter le risque de blessures graves.

Vérifiez que la machine est correctement montée et ne présente aucun dommage. Voir les instructions à la rubrique « Assemblage et réglages ».

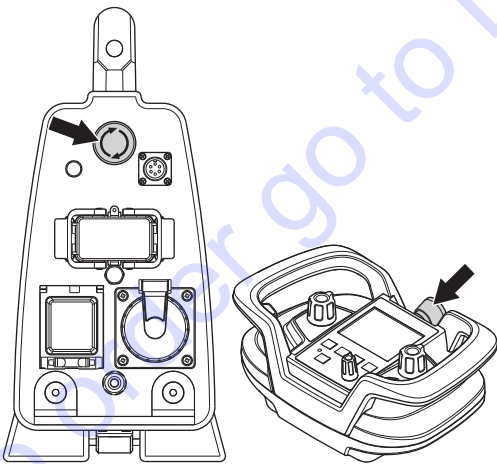
- Effectuez un entretien quotidien. Voir les instructions au chapitre « Entretien ».

Avant de démarrer la scie, il convient de vérifier que :

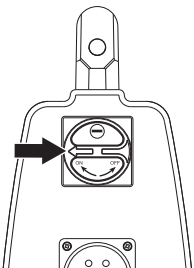
- le câble électrique d'entrée est protégé au moins par un fusible de 16 A.
- Toutes les commandes de la commande à distance sont réglées en position zéro. Dans le cas contraire, si vous appuyez sur le bouton de démarrage, un message apparaît à l'écran pour vous l'indiquer.

## Démarrage

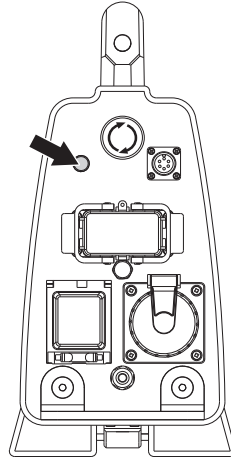
- Veiller à ne pas appuyer sur le bouton d'arrêt d'urgence du groupe moteur ni sur le bouton d'arrêt de la commande à distance en les tournant dans le sens des aiguilles d'une montre.



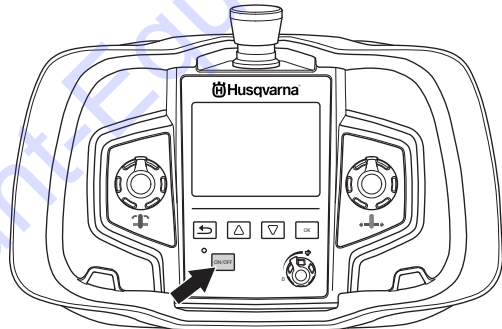
- Placer l'interrupteur principal sur la position "1".



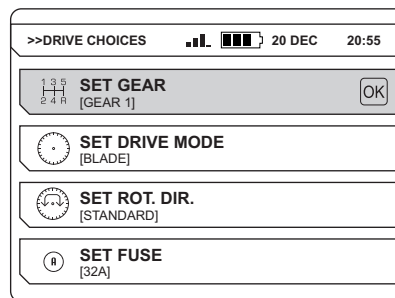
- Le groupe moteur est activé et donc, l'indicateur est allumé. Si la valve d'eau est réglée sur « AUTO », elle est désormais fermée. Cette valve s'ouvre de nouveau quand la lame commence à tourner.



- Activez la télécommande en appuyant sur le bouton « marche/arrêt ».



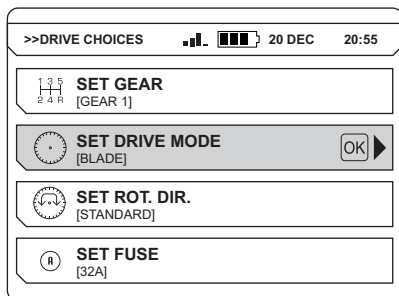
- WS 482 HF est équipé de deux vitesses mécaniques. Indiquez la vitesse réglée. (CHOIX ENTRAINMT>CHOIX RÉGIME) Pour davantage d'informations sur les lames et vitesses recommandées, consultez la rubrique « Vitesses de lame recommandées » du chapitre « Caractéristiques techniques ».



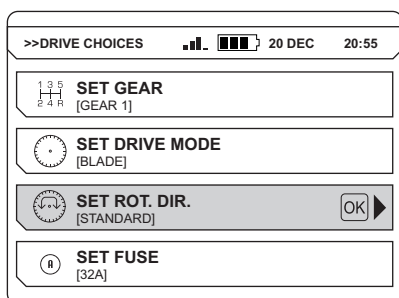
**REMARQUE !** Une vitesse plus élevée que celle recommandée risque de causer des blessures ou dommages.

# DÉMARRAGE ET ARRÊT

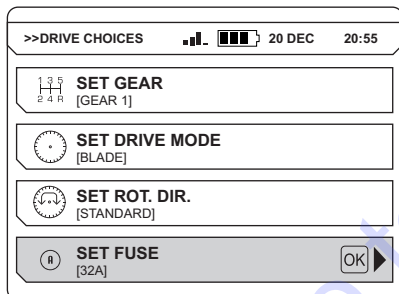
- Réglez le mode d'entraînement requis en fonction de l'unité électrique utilisée pour le sciage mural ou la découpe au câble. (CHOIX ENTRAINMT>RÉGLER CHOIX ENTRAINMT)



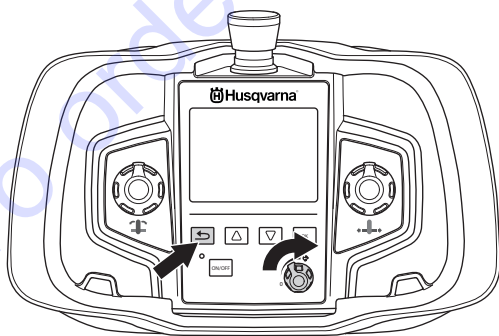
- Sélectionnez le sens de rotation requis. Le sens de rotation ne peut être modifié que lorsque la lame ou le câble sont à l'arrêt. (CHOIX ENTRAINMT>RÉGL. SENS ROTA)



- Indiquez à quel fusible l'unité électrique est connectée. (CHOIX ENTRAINMT>CHOIX FUSIBLE)



- Démarrez la rotation de la lame / du câble en appuyant un certain temps sur le bouton « retour » tout en tournant la commande du sens de rotation dans le sens des aiguilles d'une montre.

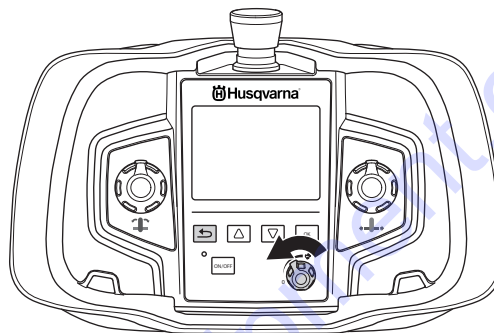


Si la valve d'eau est réglée sur « AUTO », un délai de 3 secondes s'écoule avant le début de la rotation de la lame. Le décalage permet au groupe moteur de refroidir ; il peut en effet devenir extrêmement chaud quand il est actif et quand il n'y a pas de circulation d'eau de refroidissement.

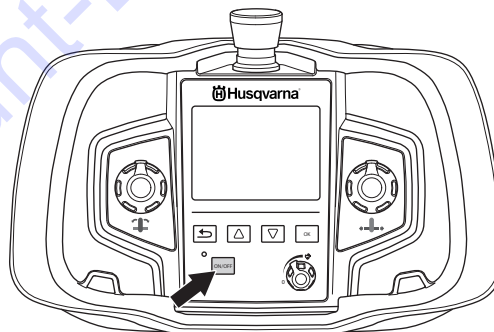
Le débit d'eau est réglable à l'aide du robinet à bille placé au niveau du connecteur d'arrivée d'eau sur le groupe moteur.

## Arrêt

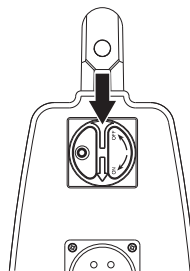
- Pour arrêter la rotation de la lame, tourner la commande correspondante dans le sens inverse des aiguilles d'une montre, jusqu'à la position zéro.



- L'eau de refroidissement se coupe automatiquement au bout de 3 sec. Ne s'applique que si la valve d'eau est réglée sur « AUTO ».
- Éteignez la télécommande en appuyant sur le bouton « marche/arrêt ».



- Tournez l'interrupteur principal du groupe moteur jusqu'à la position "0".



## Généralités



**AVERTISSEMENT! L'utilisateur ne peut effectuer que les travaux d'entretien et de révision décrits dans ce manuel d'utilisation. Les mesures plus importantes doivent être effectuées dans un atelier d'entretien agréé.**

La durée de vie de la machine risque d'être écourtée et le risque d'accidents accru si la maintenance de la machine n'est pas effectuée correctement et si les mesures d'entretien et/ou de réparation ne sont pas effectuées de manière professionnelle. Pour obtenir de plus amples informations, contacter l'atelier de réparation le plus proche.

## Entretien quotidien

- Vérifiez que l'équipement de sécurité de la machine est en parfait état. Voir instructions à la rubrique « Équipement de sécurité de la machine ».
- Contrôler que le câble et la rallonge sont entiers et en bon état.
- Toujours nettoyer l'équipement complet à la fin de la journée de travail. Utilisez une brosse manuelle résistante ou un pinceau large.
- Veiller à garder les connecteurs et les broches propres. Nettoyer à l'aide d'un chiffon ou d'une brosse.

**ATTENTION !** Ne pas utiliser de nettoyeur haute pression pour le nettoyage de la machine. Le jet à haute pression peut endommager les joints et ainsi laisser de l'eau ou de la poussière pénétrer dans la machine, ce qui cause de graves dommages.

## Service



**AVERTISSEMENT! Toutes les réparations doivent être effectuées par des réparateurs agréés. Ceci permet d'éviter que les opérateurs ne soient exposés à des risques importants.**

Après 100 heures d'utilisation apparaît à l'écran le message "Time for servicing" (entretien requis). Il convient alors de confier l'équipement complet à un revendeur Husqvarna agréé pour son entretien. Le message réapparaît 100 heures après la dernière opération de maintenance.

## Messages d'erreur

En cas de dysfonctionnement, un message d'erreur s'affiche à l'écran. Suivre les instructions fournies ou contacter un revendeur agréé.

# ENTRETIEN

Code d'erreur	Message d'erreur	Origine	Mesure
F01	SURCH. MOTEUR	Fuite d'eau de refroidissement / quantité insuffisante pour le moteur de la scie.	Vérifier que l'eau de refroidissement arrive jusqu'au moteur de la scie, qu'elle soit de 25 °C max. et que le débit soit au moins de 3,5 l/min.
F02	SURCHAUFFE BLOC D'ALIMENTATION	Fuite d'eau de refroidissement / quantité insuffisante pour le groupe moteur.	Vérifier que l'eau de refroidissement arrive jusqu'au groupe moteur, qu'elle est de 25 °C max. et que son débit est d'au moins 3,5 l/min. Si le message apparaît lorsque la lame se met à tourner, allez dans le menu des opérations puis "Refroidissement eau". Sélectionnez ensuite "ON". Laissez l'eau de refroidissement circuler dans le groupe moteur pendant une minute avant d'activer la lame de nouveau.
F03	TENSION FAIBLE	Faible tension au niveau du groupe moteur.	Vérifier la tension au cours de l'utilisation. Vérifier que les trois phases se produisent. Vérifier que les câbles d'arrivée ont une zone transversale suffisante.
F04	TENSION ELEVEE	Tension élevée au niveau du groupe moteur.	Vérifier la tension au cours de l'utilisation. Ce message s'affiche principalement lorsque l'on utilise un générateur comme source électrique.
F05	SURINTENSITE	Surintensité au niveau du moteur de la scie	Contrôler que le câble électrique est correctement branché et qu'il n'est pas endommagé. Le message peut apparaître en cas de contact lâche.
F06	NO HALLSENSOR LENGTH (PAS DE DÉTECTEUR HALL. MOTEUR D'ALIMENTATION)	Erreur au niveau de la carte du capteur HALL pour l'alimentation en longueur	Faire examiner l'appareil par un atelier de réparation agréé.
F07	NO HALLSENSOR ARM (PAS DE DÉTECTEUR HALL. MOTEUR D'ALIMENTATION EN PROFONDEUR)	Erreur au niveau de la carte du capteur HALL pour l'alimentation intérieure.	Faire examiner l'appareil par un atelier de réparation agréé.
F08	TRAVEL MOTOR OVERLOADED (MOTEUR D'ALIMENTATION SURCHARGÉ)	Moteur d'alimentation surchargé.	Pour réinitialiser, inverser la fonction d'alimentation. Si le message d'erreur réapparaît, lubrifier l'embrayage du dispositif d'alimentation, nettoyer les rails et régler le chariot de scie. Si le problème persiste, apporter la machine à un atelier d'entretien agréé par Husqvarna.
F09	DEPTH MOTOR OVERLOADED (MOTEUR D'ALIMENTATION EN PROFONDEUR SURCHARGÉ)	Moteur d'alimentation en profondeur surchargé.	Pour réinitialiser, inverser la fonction d'alimentation. Si le message d'erreur réapparaît, lubrifier l'embrayage du dispositif d'alimentation. Si le problème persiste, apporter la machine à un atelier d'entretien agréé par Husqvarna.
F10	BLADE JAM (LAME BLOQUÉE)	La lame ne tourne pas.	Retirer la lame du dispositif de découpe et lancer la rotation de la lame.
F11	GROUND FAULT OR NO SAW HEAD (DÉFAUT DE MISE À LA TERRE OU PAS DE TÊTE DE SCIE)	Mauvais conducteur de terre du bloc d'alimentation/de la scie ou pas d'unité de sciage connectée au bloc d'alimentation.	Vérifier le branchement électrique d'arrivée au bloc d'alimentation et s'assurer que l'unité de sciage est reliée au bloc d'alimentation. Si le problème persiste, apporter la machine à un atelier d'entretien agréé par Husqvarna.
F12	NON-COMPATIBLE SAW UNIT (UNITÉ DE SCIAGE NON COMPATIBLE)	Mauvaise unité de sciage branchée au bloc d'alimentation.	Brancher une unité de sciage compatible au bloc d'alimentation.
F13	NO CONTACT CHECK CAN-CABLE (PAS DE CONTACT VERIF. CABLE CAN)	Aucun contact entre le groupe moteur et la commande à distance.	Remplacer le câble CAN.
F14	NO RADIO CONTACT (PAS DE CONTACT RADIO)	Pas de contact radio entre la commande à distance et l'unité électrique.	Vérifier que le bloc d'alimentation est activé et que l'indicateur vert est allumé. Si le problème persiste, apporter la machine à un atelier d'entretien Husqvarna. La machine peut être utilisée avec le câble CAN entre le bloc d'alimentation et la commande à distance.

# CARACTÉRISTIQUES TECHNIQUES

## PP 480 HF

Puissance de sortie max., kW	20 (32 A)
Courant nominal, A	16-32
Tension d'entrée, V	380-480 V, 50-60 Hz
Tension de sortie, V	340 V, 0-500 Hz
Tension de sortie sec., V	24 V, 0-1500 Hz
Ligação eléctrica	3P+PE (4-pin) / 3P+N+PE (5-pin)
Sortie monophasée 1x230V	Uniquement machines 5 broches

### Générateur à effet - min., kVA

400V, 16A	12
400V, 25A	20
400V, 32A	24

### Poids, kg/lbs

Groupe moteur	23/51
Télécommande, avec batterie, sans courroie de transport 1,1/2,4	

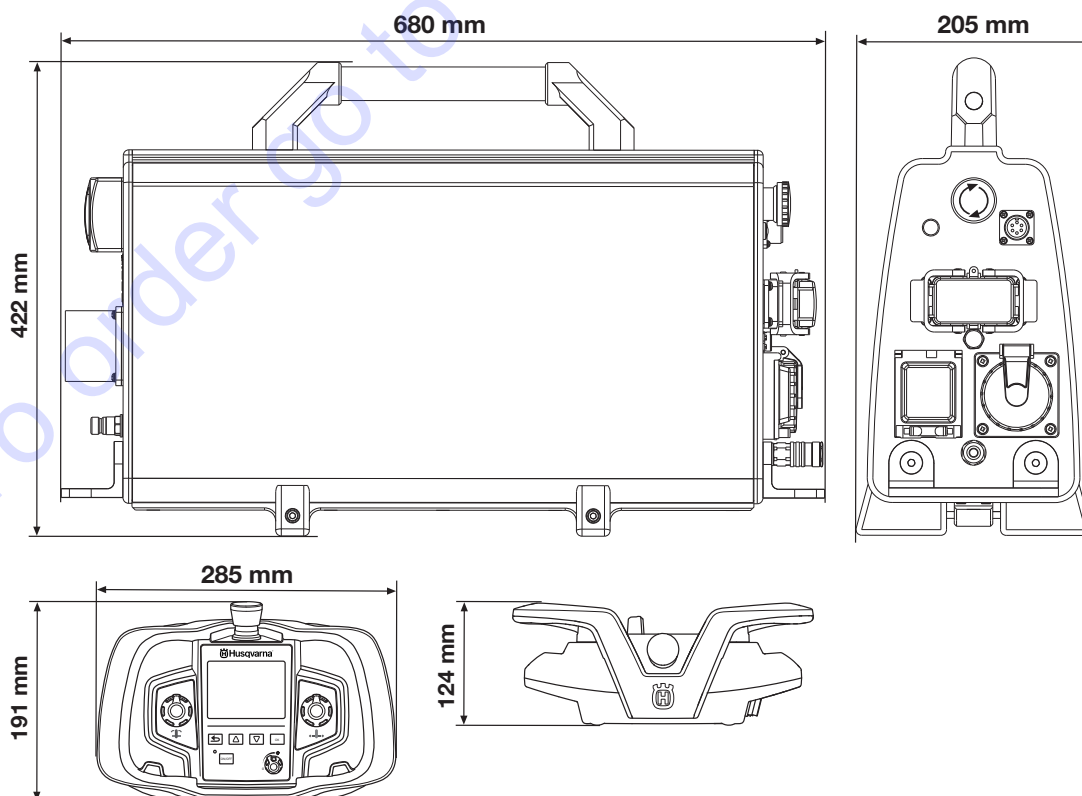
### Refroidissement par eau

Pression max. de l'eau de refroidissement, bar	7
Débit minimal de l'eau de refroidissement, l/min	3,5
Température max. de l'eau de refroidissement à 3,5 l/min., °C	25

### Système de contrôle

Type de contrôle	Commande à distance
Transmission de signaux	Sans fil/avec câble

### Dimensions



# CARACTÉRISTIQUES TECHNIQUES

## Lame

### Vitesse lame recommandée



**AVERTISSEMENT!** Couper à un régime trop élevé peut endommager la lame et engendrer des blessures individuelles.

Vitesse, tr/min.	
Engrenage 1	600-900
Engrenage 2	800-1200

Lors de sciage à 800-900 tr/min, la vitesse 1 entraîne une sortie de produit plus importante.

Lors du choix de la lame, suivre les recommandations du fabricant en ce qui concerne le matériau et la vitesse. Lors d'une découpe sur du béton dur, la vitesse doit être plus lente et l'entaille plus superficielle que lors d'une découpe sur du béton moins dense.

	600 mm (24")	800 mm (32")	1000 mm (40")	1200 mm (48")	1600 mm (63")
600 tr/min					
700 tr/min					
800 tr/min					
900 tr/min					
1000 tr/min					
1100 tr/min					
1200 tr/min					

Béton	
	Dur
	Moyen
	Doux

# ACLARACION DE LOS SIMBOLOS

## Símbolos en la máquina

¡ATENCIÓN! La máquina, si se utiliza de forma errónea o descuidada, puede ser una herramienta peligrosa que puede causar daños graves e incluso la muerte al usuario y a otras personas.

Lea detenidamente el manual de instrucciones y asegúrese de entender su contenido antes de utilizar la máquina.

Utilice siempre:

- Casco protector homologado
- Protectores auriculares homologados
- Gafas protectoras o visor

Este producto cumple con la directiva CE vigente.

¡ATENCIÓN! Corriente intensa.

**Etiquetado ecológico.** El símbolo en el producto o en su envase indica que no se puede tratar este producto como desperdicio doméstico. Deberá por lo tanto depositarse en un centro de recogida adecuado para el reciclado de equipos eléctricos y electrónicos.

Haciendo que este producto sea manipulado adecuadamente, se ayuda a evitar consecuencias negativas potenciales para el medio ambiente y las personas, lo que puede ocurrir con la manipulación inadecuada como residuos del producto.

Para obtener información más detallada sobre el reciclado de este producto, contacte con la oficina municipal local, con el servicio de eliminación de desperdicios domésticos o con la tienda donde compró el producto.

**Los demás símbolos/etiquetas que aparecen en la máquina corresponden a requisitos de homologación específicos en determinados mercados.**



## Explicación de los niveles de advertencia

Las advertencias se clasifican en tres niveles.

### ¡ATENCIÓN!



¡ATENCIÓN! Indica un riesgo de daños graves para el usuario o incluso muerte, o bien daños al entorno, si no se siguen las instrucciones del manual.

### ¡NOTA!



¡NOTA! Indica un riesgo de lesiones para el usuario o daños al entorno si no se siguen las instrucciones del manual.

### AVISO

AVISO Indica un riesgo de daños en los materiales o en la máquina si no se siguen las instrucciones del manual.

# INDICE

## Índice

### ACLARACION DE LOS SIMBOLOS

Símbolos en la máquina .....	40
Explicación de los niveles de advertencia .....	40

### INDICE

Índice .....	41
--------------	----

### PRESENTACIÓN

Apreciado cliente: .....	42
Características .....	42

### PRESENTACIÓN

Piezas de la unidad eléctrica .....	43
-------------------------------------	----

### EQUIPO DE SEGURIDAD DE LA MÁQUINA

Generalidades .....	44
Botón de arranque .....	44
Parada de emergencia y botón de parada .....	44
Interruptor principal .....	44
Interruptor de circuito de pérdida a tierra .....	44

### MONTAJE Y AJUSTES

Conexión de una fuente de alimentación .....	45
Conexión de la refrigeración por agua .....	45
Batería .....	45
Ajustes de software .....	46

### FUNCIONAMIENTO

Equipo de protección .....	47
Instrucciones generales de seguridad .....	47
Seguridad en el trabajo .....	48
Técnica básica de trabajo .....	49
Transporte y almacenamiento .....	49

### SISTEMA DE MENÚ

Generalidades .....	50
Vista general del menú .....	50
OPC. DE CORREA .....	51
AJUSTES .....	51

### ARRANQUE Y PARADA

Antes del arranque .....	52
Arranque .....	52
Parada .....	53

### MANTENIMIENTO

Generalidades .....	54
Mantenimiento diario .....	54
Servicio .....	54
Mensajes de fallo .....	54

### DATOS TECNICOS

PP 480 HF .....	56
-----------------	----

### DECLARACIÓN DE GARANTÍA PARA EE. UU.

POLÍTICA DE GARANTÍA .....	58
EQUIPO .....	58



# PRESENTACIÓN

## Apreciado cliente:

Gracias por elegir un producto Husqvarna.

Esperamos que su máquina le proporcione plena satisfacción y le sirva de ayuda por mucho tiempo en adelante. La adquisición de alguno de nuestros productos da acceso a asistencia profesional con reparaciones y servicio. Si la máquina no fue adquirida en un distribuidor oficial, preguntar en la tienda de compra la dirección del taller de servicio más cercano.

Este manual de instrucciones es un documento importante. Procure tenerlo siempre a mano en el lugar de trabajo. Siguiendo sus instrucciones (de uso, servicio, mantenimiento, etcétera) puede alargar considerablemente la vida útil de la máquina e incrementar su valor de reventa. Si vende su máquina, entregue el manual de instrucciones al nuevo propietario.

## Más de 300 años de innovación

La fundación de la empresa sueca Husqvarna AB data del año 1689, cuando el Rey Karl XI encargó la construcción de una fábrica para la fabricación de mosquetes. En ese momento se establecieron los cimientos de la experiencia tecnológica en la que se basan muchos de los productos punteros en el mundo en el sector de las armas de caza, bicicletas, motocicletas, electrodomésticos, máquinas de coser y productos para exteriores.

Husqvarna es líder internacional en productos motorizados para exteriores destinados a la silvicultura, el mantenimiento de parques y el cuidado del césped y del jardín, así como equipos de corte y herramientas de diamante para el sector de la construcción y la piedra.

## Responsabilidad del usuario

El propietario / empresario es el responsable de asegurarse de que el usuario tiene los conocimientos necesarios para utilizar la máquina con seguridad. Los supervisores y los usuarios deben haber leído y entendido el manual de instrucciones. Deben tener conocimiento de lo siguiente:

- Las instrucciones de seguridad de la máquina.
- Las aplicaciones y las limitaciones de la máquina.
- El modo de uso y de mantenimiento de la máquina.

La utilización de esta máquina podría estar regulada por la legislación nacional vigente. Infórmese sobre la legislación vigente en el lugar donde trabaja antes de empezar a utilizar la máquina.

## Los derechos que se reserva el fabricante.

Toda la información y todos los datos contenidos en este manual de instrucciones son vigentes en la fecha de impresión del manual.

Husqvarna AB trabaja constantemente para perfeccionar sus productos y se reserva, por lo tanto, el derecho a introducir modificaciones en la construcción y el diseño sin previo aviso.

## Características

El alto rendimiento, la fiabilidad, la tecnología innovadora, las soluciones técnicas avanzadas y el respeto medioambiental son los valores que caracterizan a los productos de Husqvarna.

A continuación se describen algunas de las características únicas de su producto.

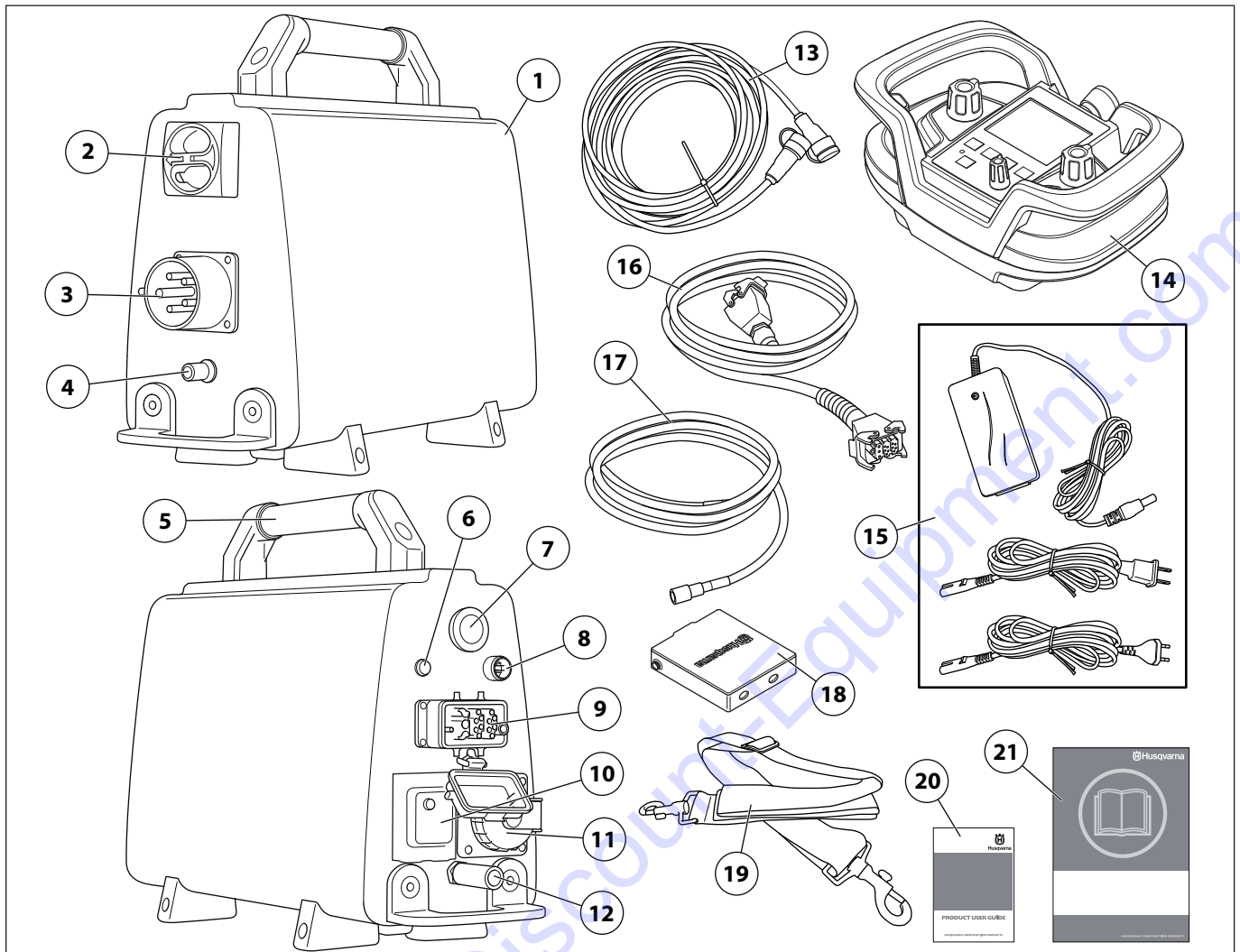
## Unidad eléctrica

- La PP 480 HF es una unidad desarrollada específicamente para la sierra de pared WS 482 HF.
- Tiene un diseño compacto y solo pesa 23 kg (51 lb).
- A pleno funcionamiento, utiliza 32 A en sistemas de 400 V.
- La unidad de alimentación está conectada a la sierra únicamente mediante un conductor de alimentación y una manguera refrigeradora de agua.
- Incorpora una salida de potencia de 230 V y un terminal para un cable CAN.
- Incluye una electroválvula hidráulica que se acciona mediante el control remoto.

## Control remoto inalámbrico

- Brinda libertad de movimientos del usuario y una impresión general del trabajo realizado.
- Control sencillo, incluso con guantes. Cambios de ajuste y funcionamiento sencillos mediante el uso de pocos botones.
- Pantalla a color de 3,5 pulgadas.

# PRESENTACIÓN



## Piezas de la unidad eléctrica

- |    |  |    |  |
|----|--|----|--|
| 1  | Unidad eléctrica   | 11 | Toma monofásica (solo para dispositivos con 5 pines) |
| 2  | Interruptor principal  | 12 | Conexión de salida de agua                           |
| 3  | Toma eléctrica   | 13 | Cable CAN  |
| 4  | Conexión de entrada de agua  | 14 | Mando a distancia                                    |
| 5  | Mango  | 15 | Cargador de batería                                  |
| 6  | Indicador de corriente   | 16 | Conductor de alimentación                            |
| 7  | Parada de emergencia   | 17 | Manguera de agua                                     |
| 8  | Puerto CAN   | 18 | Batería (2)  |
| 9  | Conexión del cable   | 19 | Correa de transporte ajustable                       |
| 10 | Interruptor de circuito de pérdida a tierra (solo para dispositivos con 5 pines) | 20 | Manual de instrucciones                              |
|    |  | 21 | DVD - Guía del usuario del producto                  |

# EQUIPO DE SEGURIDAD DE LA MÁQUINA

## Generalidades

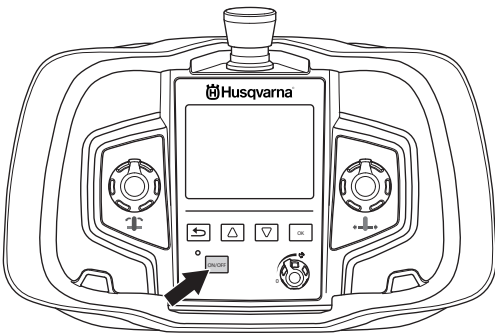


**¡ATENCIÓN! Nunca utilice una máquina que tenga un equipo de seguridad defectuoso. Efectúe el control y mantenimiento del equipo de seguridad de la máquina como se describió en este capítulo. Si su máquina no pasa todos los controles, entréguela a un taller de servicio para su reparación.**

En este capítulo se describen los componentes de seguridad de la máquina, su función y el modo de efectuar el control y el mantenimiento para garantizar un funcionamiento óptimo.

## Botón de arranque

El botón se utiliza para activar el control remoto.

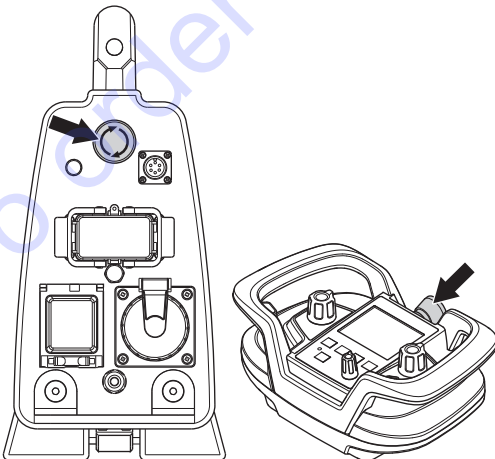


## Control del botón de arranque

- Active el control remoto pulsando el botón de encendido / apagado. Deje que el control remoto se cargue por completo y espere a que aparezca la pantalla principal.
- Desactive el control remoto pulsando el botón de encendido / apagado.

## Parada de emergencia y botón de parada

La unidad eléctrica dispone de parada de emergencia y el control remoto tiene un botón de parada. Se utilizan para parar rápidamente la unidad eléctrica.



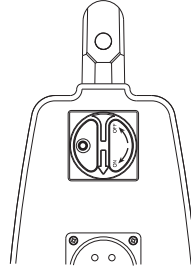
## Verifique la parada de emergencia y el botón de parada

- Ponga en marcha la rotación del disco.

- Pulse la parada de emergencia de la unidad eléctrica y compruebe que la rotación de la hoja se detiene. Compruebe de igual modo el botón de parada situado en el control remoto.

## Interruptor principal

El interruptor principal se utiliza para conectar y desconectar la unidad del suministro eléctrico. El interruptor principal debe estar en la posición «0» al conectar el cable de entrada.

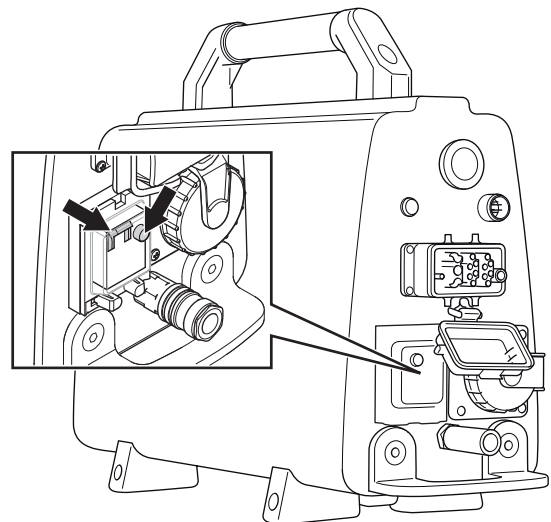


## Control del interruptor principal

- Seleccione la posición «0» del interruptor principal.
- Intente poner en marcha la sierra.  
La sierra no debe accionarse.

## Interruptor de circuito de pérdida a tierra (solo para dispositivos de 5 pines)

La toma monofásica de la unidad de alimentación cuenta con un interruptor de fuga a tierra. Los interruptores de circuito de pérdida a tierra aportan protección en caso de que se produzca un fallo eléctrico.



## Compruebe el interruptor de circuito de pérdida a tierra

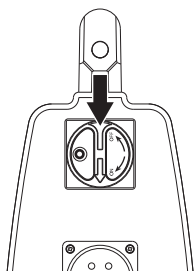
- Coloque el interruptor principal en la posición «1».
- Pulse el botón amarillo de prueba. El interruptor de fuga a tierra debe activarse y el fusible automático debe apagarse.
- Reinicie el interruptor de fuga a tierra subiendo el fusible automático.

# MONTAJE Y AJUSTES

## Conexión de una fuente de alimentación

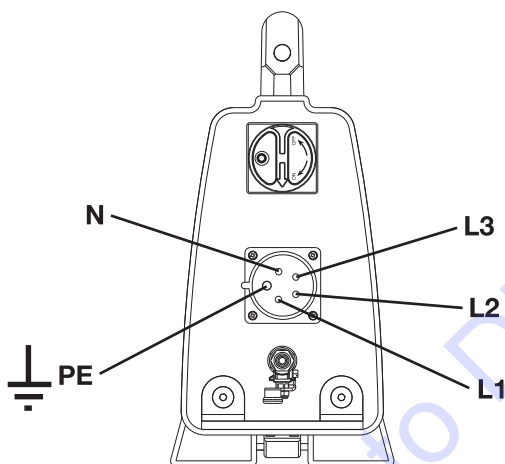
Después de ser transportada a un lugar adecuado, la máquina debe conectarse:

- Seleccione la posición «0» del interruptor principal.



- Conectar el cable eléctrico entrante (380-480 V, 32-63 A, enchufe europeo). Las unidades de alimentación con toma monofásica (230 V) deben tener también un cable neutro para que la toma funcione. La unidad de alimentación funciona incluso sin el cable neutro.

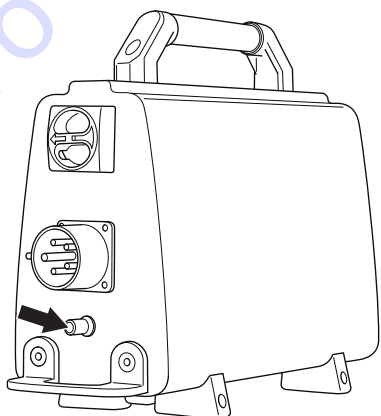
Para utilizar toda la potencia de salida, debe conectar la unidad a un fusible de 32 A. Con un fusible de 16 A o de 25 A, la potencia de salida es inferior para no sobrecargar el fusible. Puede seleccionarlo al poner en marcha la unidad.



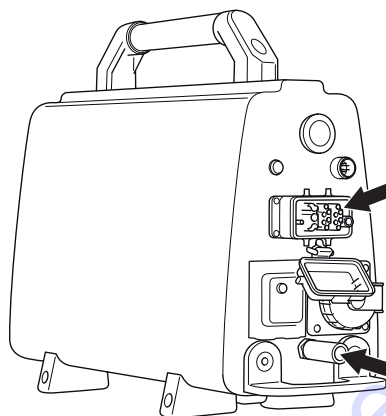
## Conexión de la refrigeración por agua

- Conecte la manguera de agua a la conexión de entrada de agua.

La unidad incorpora una electroválvula hidráulica, que permanece cerrada mientras el bloque de alimentación está activado. Cuando el bloque no recibe corriente, la válvula se abre para drenar el agua refrigeradora si hay riesgo de congelación.



- Conecte el conductor de alimentación y la manguera de agua suministrados de la unidad eléctrica a la unidad de serrado.



## Batería

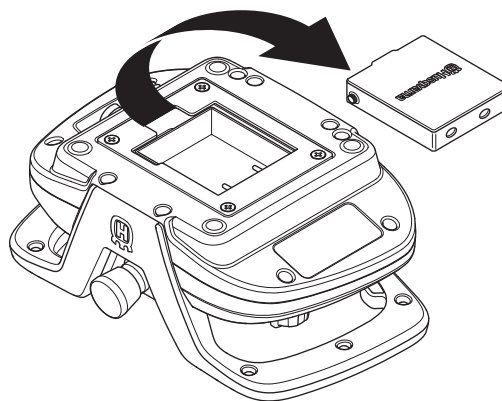
La batería es de ion-litio. Su tiempo de funcionamiento es de 8-10 horas por carga. El frío extremo reduce la capacidad de la batería y el tiempo de funcionamiento. El tiempo de funcionamiento también se ve afectado por el tiempo de actividad de la pantalla.

Utilice solo baterías originales para este producto. Póngase en contacto con su distribuidor para obtener más información.

Las baterías gastadas no deben desecharse junto con la basura doméstica. Lívelas a su taller de servicio más cercano o a un punto de recogida.

## Montaje / desmontaje de la batería

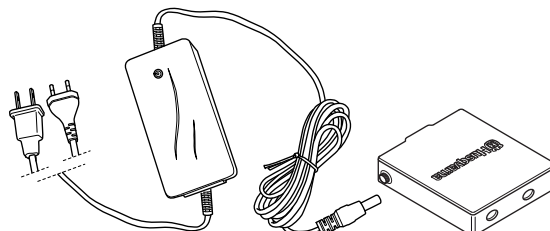
- Monte / desmonte la batería.



## Cargar la batería

Antes de usar el control remoto por primera vez, es necesario cargar la batería.

## Carga con el cargador de baterías



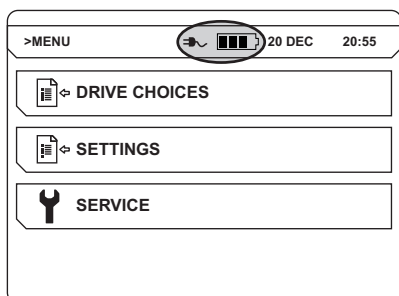
# MONTAJE Y AJUSTES

El tiempo de carga para una batería agotada es de aproximadamente 2-3 horas. El diodo se enciende de color naranja cuando la carga empieza y pasa a color verde cuando la batería se ha cargado por completo. Cuando la batería se ha cargado por completo, el cargador suministra a la batería corriente de mantenimiento hasta que se extraiga del cargador.

Mantenga seco el cargador de batería y protegido de las fluctuaciones de temperatura.

## Carga con el cable CAN

La batería se carga cuando se conecta el cable CAN de la unidad de alimentación al control remoto. Esto se indica mediante un símbolo de batería de color rojo en el control remoto.



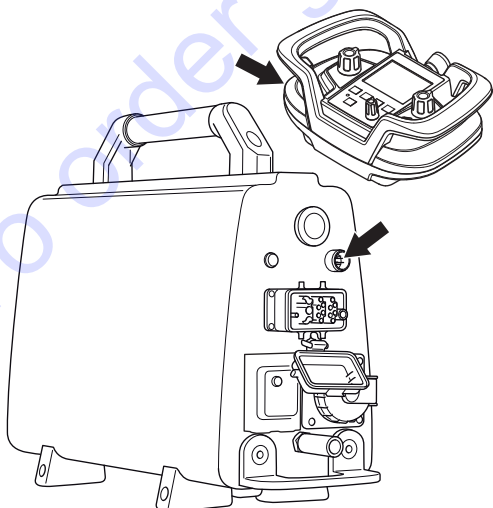
Si se desmonta la batería mientras el control remoto está conectado al cable CAN, el símbolo de batería del control remoto aparecerá tachado para indicar que no hay batería.

## Ajustes de software

### Emparejamiento del control remoto con la unidad de alimentación

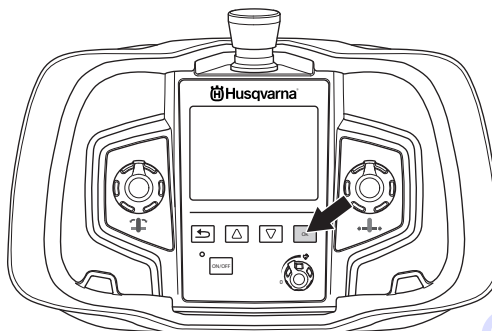
La primera vez que se conecte el control remoto, debe emparejarse con la unidad de alimentación. Se trata de una medida de seguridad para garantizar que solo un control remoto dirige la unidad de alimentación. El control remoto no se podrá utilizar hasta que se haya realizado esta operación.

- Conectar el mando a distancia con el cable de CAN incluido en la entrega. Fijar el contacto de cable enroscándolo a mano.

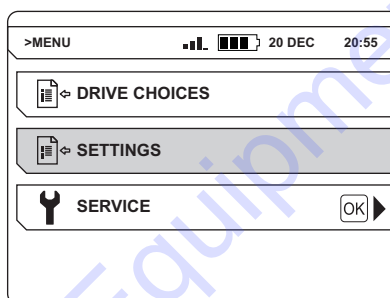


- Deje que el control remoto se cargue por completo y espere a que aparezca la pantalla principal.

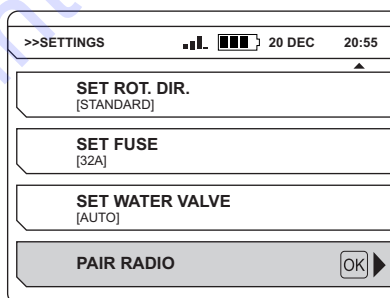
- Pulse el botón «ACEPTAR» para acceder al menú.



- Vaya a «AJUSTES». Desplácese con las flechas de dirección y confirme con «OK».



- Vaya a «EMP. RADIO». Desplácese con las flechas de dirección y confirme con «OK».



Se muestra un mensaje en la pantalla para indicar si se ha realizado o no el emparejamiento. Inténtelo de nuevo si el emparejamiento ha fallado.

### Otros ajustes de software

Se pueden realizar más ajustes antes de poner en marcha la unidad de alimentación. Consulte las instrucciones del apartado «Sistema de menús» para obtener información adicional.

- Ajuste de hora y fecha. (AJUSTES>HORA Y FECHA)
- Selección del idioma de pantalla deseado. (AJUSTES>AJUSTAR IDIOMA)
- Selección de las unidades deseadas. (AJUSTES>AJ. UDS.)

# FUNCIONAMIENTO

## Equipo de protección

### Generalidades

No use nunca una máquina si no tiene posibilidad de pedir auxilio si se produce un accidente.

### Equipo de protección personal

Para trabajar con la máquina debe utilizarse un equipo de protección personal homologado. El equipo de protección personal no elimina el riesgo de lesiones, pero reduce su efecto en caso de accidente. Pida a su distribuidor que le asesore en la elección del equipo.



**¡ATENCIÓN!** El uso de productos que cortan, pulen, taladran, alisan o forman materiales puede generar polvo y vapores que pueden contener sustancias químicas dañinas. Averiguar la composición del material con que se trabaja y usar una máscara respiratoria adecuada.



**¡ATENCIÓN!** La exposición prolongada al ruido puede causar daños crónicos en el oído, Por consiguiente, use siempre protectores auriculares homologados. Cuando use protección auditiva preste siempre atención a las señales o llamados de advertencia. Sáquese siempre la protección auditiva inmediatamente después de parar el motor.



**¡ATENCIÓN!** Existe siempre riesgo de accidentes por apriete al trabajar con aparatos con piezas móviles. Usar guantes protectores para evitar lesiones.

Utilice siempre:

- Casco protector
- Protectores auriculares
- Gafas protectoras o visor
- Máscara respiratoria
- Guantes resistentes de agarre seguro.
- Prendas de vestir ceñidas, resistentes y cómodas que permitan una libertad de movimientos total.
- Botas con puntera de acero y suela antideslizante.

Tener en cuenta que las ropas, el pelo largo y las joyas pueden atascarse en piezas móviles.

### Otros equipos de protección



**¡ATENCIÓN!** Mientras trabaja con la máquina, pueden producirse chispas que podrían ocasionar un incendio. Tenga siempre a mano herramientas para la extinción de incendios.

- Herramientas para la extinción de incendios
- Tenga siempre a mano el equipo de primeros auxilios.

## Instrucciones generales de seguridad



**¡ATENCIÓN!** Lea todas las advertencias e instrucciones de seguridad. No atender a estas advertencias e instrucciones puede provocar descargas eléctricas, incendios y lesiones graves.

Este apartado trata las normas de seguridad básicas para trabajar con el dispositivo. Esta información no sustituye en ningún caso los conocimientos y la experiencia de un profesional.

- Lea detenidamente el manual de instrucciones y asegúrese de entender su contenido antes de utilizar la máquina.
- Lea el manual de instrucciones suministrado con la sierra de pared antes de utilizar la unidad hidráulica.
- Debe tenerse en cuenta que el operador es responsable de los accidentes o riesgos que ocurran a otras personas o a su propiedad.
- Todos los operadores deben ser formados en el empleo de la máquina. El propietario es responsable de la formación de los operadores.
- La máquina debe mantenerse limpia. Los letreros y las pegatinas deben ser legibles en su totalidad.



**¡ATENCIÓN!** La máquina, si se utiliza de forma errónea o descuidada, puede ser una herramienta peligrosa que puede causar daños graves e incluso la muerte al usuario y a otras personas.

No permita bajo ningún concepto el empleo o mantenimiento de la máquina por los niños u otras personas no instruidas en el manejo de la misma. Nunca deje que terceros utilicen la máquina sin asegurarse primero de que hayan entendido el contenido de este manual de instrucciones.

Nunca utilice la máquina si está cansado, si ha ingerido alcohol o si toma medicamentos que puedan afectar la vista, su capacidad de discernimiento o el control del cuerpo.

# FUNCIONAMIENTO



**¡ATENCIÓN!** Las modificaciones y/o el uso de accesorios no autorizados comportan riesgo de daños personales graves y peligro de muerte para el usuario y otras personas.

No modifique nunca esta máquina de forma que se desvíe de la versión original, y no la utilice si parece haber sido modificada por otras personas.

No utilice nunca una máquina defectuosa. Siga las instrucciones de mantenimiento, control y servicio de este manual. Algunas medidas de mantenimiento y servicio deben ser efectuadas por especialistas formados y cualificados. Vea las instrucciones bajo el título Mantenimiento.

Utilizar siempre recambios originales.

## Emplee siempre el sentido común

Es imposible abarcar todas las situaciones imaginables que se pueden producir al utilizar una taladradora. Proceder siempre con cuidado y emplear el sentido común. Si se encuentra en alguna situación que le haga sentirse inseguro, deténgase y consulte con un experto. Consulte a su distribuidor, al taller de servicio técnico o a un usuario experimentado. No emplee la máquina en aplicaciones para las que no se considere plenamente cualificado.

## Seguridad en el trabajo

### Seguridad en el área de trabajo

- Mantenga el área de trabajo limpia y bien iluminada. Las zonas abarrotadas de cosas u oscuras favorecen los accidentes.
- Averigüe y marque siempre la ubicación del trazado de las tuberías de gas. El corte cerca de las tuberías de gas siempre es peligroso. Procure que no se generen chispas al cortar, debido al riesgo de explosión. Trabaje concentrado en su tarea. La negligencia comporta riesgo de daños personales graves y peligro de muerte.
- No utilice la máquina en entornos donde exista riesgo de explosión.
- Asegúrese de que no haya tuberías o cables eléctricos en la zona de trabajo o en la pieza en la que vaya a trabajar.
- Compruebe que los cables eléctricos que haya en el área de trabajo no tengan tensión.
- Compruebe el entorno para asegurarse de que nada pueda influir en su control de la máquina.
- No trabaje en condiciones atmosféricas desfavorables como niebla, lluvia intensa, tempestad, frío intenso, etc. Trabajar con mal tiempo es cansador y puede crear condiciones peligrosas, por ejemplo suelo resbaladizo.
- No emplee la máquina en un entorno mojado o húmedo, cerca de agua, en la lluvia o en la nieve.
- Antes de comenzar a trabajar con la máquina, controle siempre que el lugar esté libre y que los pies estén bien afirmados al terreno.

## Seguridad eléctrica



**¡ATENCIÓN!** Existe siempre riesgo de sacudidas eléctricas al usar máquinas eléctricas. No usar la máquina en condiciones climáticas desfavorables y evitar el contacto del cuerpo con pararrayos y objetos metálicos. Seguir siempre las instrucciones del manual para evitar daños.



**¡ATENCIÓN!** No lave la máquina con agua, ya que puede penetrar en el sistema eléctrico o en el motor y causar daños en la máquina o un cortocircuito.

- Conecte siempre la máquina mediante un interruptor de fuga a tierra con protección personal, como un disyuntor de fuga a tierra que se active a 30 mA.
- La máquina se debe enchufar a un enchufe con masa.
- Compruebe que la tensión de red concuerda con la que se indica en la placa de características de la máquina.
- Compruebe que el cable y el cable de empalme está intacto. Usar siempre cables de empalme homologados para uso en intemperie.
- Si se daña un cable, no utilice la máquina. Llévela a reparar a un taller de servicio oficial.
- Un cable de alargue no debe usarse enrollado porque hay riesgo de sobrecalentamiento.
- No arrastre la máquina nunca por el cordón y no quite nunca el enchufe tirando del cordón.
- Mantenga todos los cables y cables de empalme apartados de agua, aceite y cantos agudos. Proceda con cuidado para evitar que el cable se apriete en puertas, vallas o similares. Hay riesgo de cargar objetos con electricidad.

## Seguridad personal

- Nunca utilice la máquina si está cansado, si ha ingerido alcohol o si toma medicamentos que puedan afectar la vista, su capacidad de discernimiento o el control del cuerpo.
- Evite el encendido accidental de la herramienta. Asegúrese de que el interruptor está en la posición de apagado (OFF).
- No abandonar nunca la máquina sin vigilar, con el motor en marcha.
- Desenchufar siempre el contacto para paradas prolongadas del trabajo.
- Un operador nunca debe trabajar solo; siempre debe haber otra(s) persona(s) cerca. Así, además de tener ayuda para montar la máquina, también puede recibir asistencia en caso de accidente.
- Las personas y los animales pueden distraer y hacer perder el control de la máquina. Por consiguiente, el operador debe estar siempre concentrado en su trabajo.
- No haga nunca trabajos de corte de forma tal que no pueda acceder fácilmente a la parada de emergencia.

# FUNCIONAMIENTO

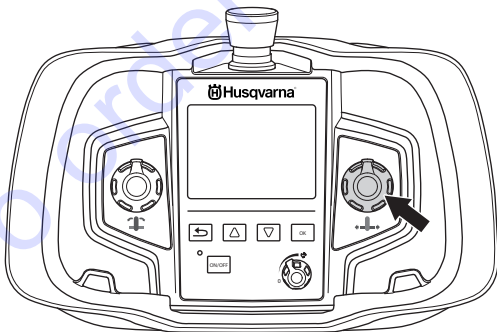
## Uso y cuidado

- Esta máquina es idónea para perforar hormigón, ladrillo y varios tipos de piedra. Puede utilizarse como taladro manual o fijado a un soporte de taladro.
- La máquina está destinada al uso por operadores experimentados, en aplicaciones industriales.
- El control y/o mantenimiento de la máquina debe hacerse con el motor parado y el enchufe desenchufado.
- La máquina tiene un par torsor muy alto. Esto requiere una gran concentración durante el trabajo debido al riesgo de daños personales graves si la broca se bloquea súbitamente.
- No sobrecargar la máquina. La sobrecarga puede dañar la máquina.
- Parar siempre la máquina antes de trasladarla.
- Proceda con cuidado en las elevaciones. Las piezas son pesadas, por lo que hay riesgo de daños por apriete y daños personales de otro tipo.
- No exponga la máquina a temperaturas que excedan los 45 °C ni a la luz directa del sol.
- Compruebe que todas las juntas, conexiones y cables están intactos y limpios.
- Compruebe que todos los cables y el suministro de agua están correctamente conectados a la máquina antes de arrancarla.
- Nunca desconecte el cable sin desconectar antes la unidad eléctrica y esperar a que la máquina se detenga por completo. En caso de emergencia, pulse el botón rojo de parada de emergencia de la unidad o el botón de parada del control remoto.
- Mantener todas las piezas en perfecto estado y comprobar que todos los elementos de fijación estén bien apretados.

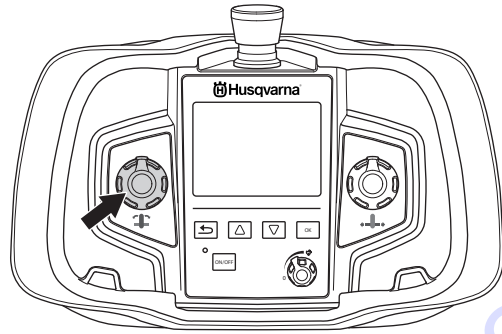
## Técnica básica de trabajo

Se pueden realizar las siguientes operaciones mediante las palancas de control del control remoto:

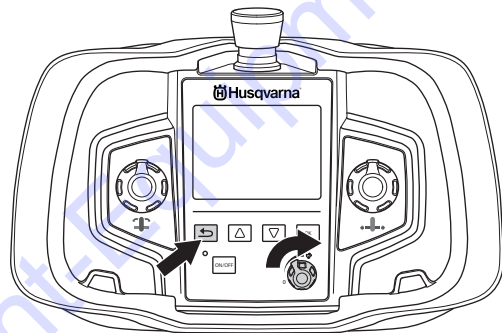
- Avance longitudinal



- Alimentación del brazo



- Rotación del disco o del cable Active la rotación del disco o cable manteniendo pulsado el botón de retroceso mientras gira el control de rotación en el sentido de las agujas del reloj. La velocidad de rotación se controla mediante un potenciómetro.



- Para más información sobre la técnica de serrado, lea detenidamente el manual facilitado con la sierra de pared. Consulte el DVD suministrado para obtener consejos sobre técnicas de funcionamiento.

## Transporte y almacenamiento

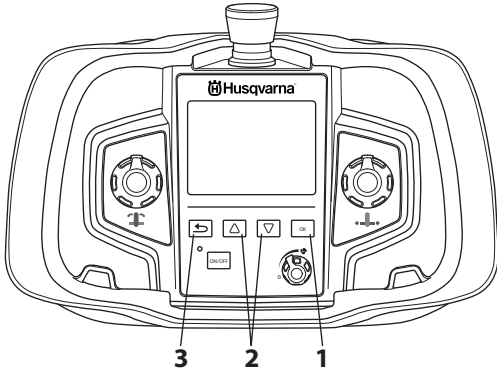
- Desconecte siempre la unidad eléctrica y el cable eléctrico antes de mover el equipo.
- Utilice las cajas suministradas para guardar el equipo.
- Sujete bien el equipo durante el transporte para evitar daños y accidentes.
- Almacene la cortadora en lugar seguro fuera del alcance de los niños y personas no calificadas para su uso.
- Guarde la máquina y el equipo en un lugar seco y protegido de la escarcha.
- No exponga la máquina a temperaturas que excedan los 45 °C ni a la luz directa del sol.



# SISTEMA DE MENÚ

## Generalidades

Utilice los botones de flechas (2) para desplazarse por los menús y el botón «ACEPTAR» (1) para confirmar la selección. Utilice el botón de retroceso (3) para volver atrás en los menús.



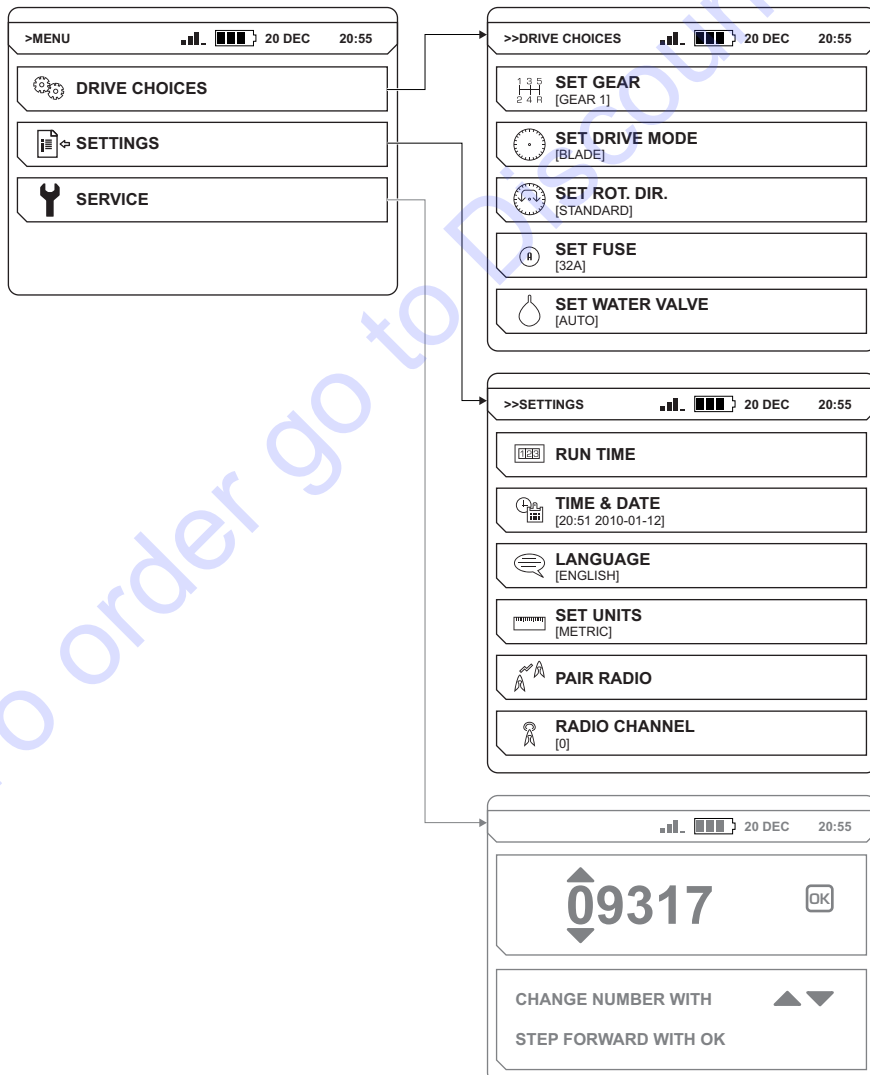
Se puede acceder al sistema de menús del control remoto pulsando el botón «ACEPTAR».

El sistema de menús incluye los siguientes menús:

- OPC. DE CORREA
- AJUSTES
- MANTEN.

El menú de mantenimiento está protegido con una contraseña. Solamente el personal autorizado podrá acceder a los ajustes de este menú para realizar el mantenimiento.

## Vista general del menú



# SISTEMA DE MENÚ

## OPC. DE CORREA

### AJ. ENGR. (WS 482 HF)

WS 482 HF cuenta con dos engranajes mecánicos. Indique qué engranaje quiere ajustar. Puede elegir entre las siguientes opciones:

- 1. (600-900 rpm)
- 2. (800-1200 rpm)

### AJ. MODO CORREA

Ajuste el modo de correa deseado en función de la unidad de alimentación que se utilizará en el corte de muros o de cables. Puede elegir entre las siguientes opciones:

- DISCO (corte de muros)
- CABLE (corte de cables)

¡ATENCIÓN! No se puede garantizar el rendimiento si la opción de correa y la aplicación no coinciden.

### AJ. DIR. ROT.

Solo se podrá modificar la dirección de rotación cuando el disco o cable no estén en movimiento.

Seleccione la dirección de rotación deseada. Puede elegir entre las siguientes opciones:

- ESTÁNDAR
- MARCHA ATRÁS

### AJ. FUSIBLE

Indique a qué fusible está conectada la unidad de alimentación. Puede elegir entre las siguientes opciones:

- 16A
- 25A
- 32A

Para utilizar toda la potencia de salida, debe conectar la unidad a un fusible de 32 A. Con un fusible de 16 A o de 25 A, la potencia de salida es inferior para no sobrecargar el fusible.

### AJ. VÁLV. DE AGUA

Se utiliza para controlar la válvula de agua de la unidad de alimentación.

- «ENCENDIDO»: la válvula de agua estará siempre abierta.
- «AUTOM.»: la válvula de agua se abrirá cuando se cambie el ajuste cero del control de rotación. De lo contrario, la válvula de agua se cerrará.

El flujo de agua se ajusta con la válvula esférica de la conexión de entrada de agua de la unidad.

## AJUSTES

### TIEMPO FUNC.

#### STOP WATCH (Cronómetro)

En la activación, se inicia un cronómetro que mide el tiempo durante el que gira el disco o cable y, al menos, una alimentación está activa.

#### REST. CRONÓMETRO

Se utiliza para restaurar el cronómetro.

### HORA Y FECHA

#### AJ. HORA

Indique la hora.

#### AJ. FECHA

Indique la fecha.

#### FORMATO HORA

Seleccione el formato de hora deseado. Puede elegir entre las siguientes opciones:

- 12 h
- 24 h

#### FORMATO FECHA

Seleccione el formato de fecha deseado. Puede elegir entre las siguientes opciones:

- YYYY-MM-DD
- YYYY/DD/MM
- DD/MM/YYYY

#### SET LANGUAGE

Selección del idioma de pantalla deseado.

#### AJ. UDS.

Selección de las unidades deseadas. Puede elegir entre las siguientes opciones:

- AMERICANAS
- MÉTRICAS

#### EMP. RADIO

Empareja el control remoto con la máquina.

#### RADIO CHANNEL (Canal de radio)

El control remoto debe conectarse a la máquina con un cable CAN.

Seleccione el canal de radio que desee. Puede elegir entre las siguientes opciones:

- 0 (2.410 GHz)
- 1 (2.415 GHz)
- ...
- 11 (2.465 GHz)

# ARRANQUE Y PARADA

## Antes del arranque



**¡ATENCIÓN!** Lea detenidamente el manual de instrucciones y asegúrese de entender su contenido antes de utilizar la máquina.

Utilice el equipo de protección personal. Vea las instrucciones bajo el título "Equipo de protección personal".

Asegúrese de que no haya personas desautorizadas en la zona de trabajo, de lo contrario, se corre el riesgo de ocasionar graves daños personales.

Controle que la máquina esté correctamente montada y que no esté dañada. Consulte las instrucciones bajo el título «Montaje y ajustes».

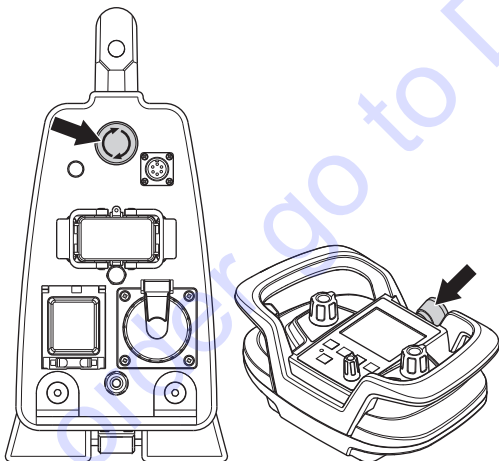
- Realice el mantenimiento diario. Consulte las instrucciones bajo el título «Mantenimiento».

Antes de poner en marcha la sierra, compruebe si:

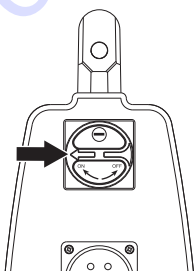
- El cable eléctrico entrante esté conectado a como mínimo un fusible de 16 A.
- Todos los controles del control remoto está en la posición «0». Si no lo están, aparecerá un mensaje en la pantalla al pulsar el botón de arranque.

## Arranque

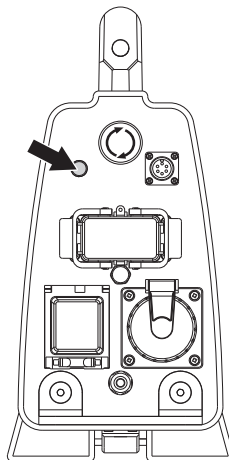
- Compruebe que ni el botón de parada de emergencia de la unidad eléctrica ni el botón de parada del control remoto están pulsados girándolos en el sentido de las agujas del reloj.



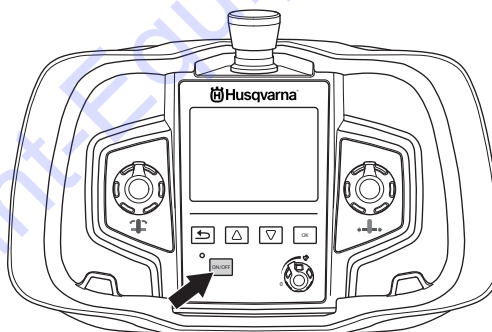
- Coloque el interruptor principal en la posición «1».



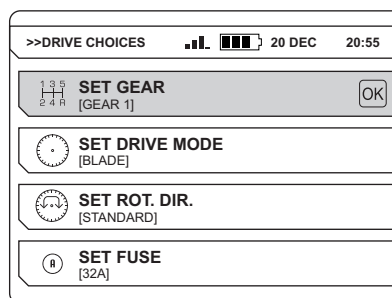
- Se activará la unidad, por lo que la luz de indicación parpadeará. Si la válvula de agua está ajustada en «AUTOM.», se apagará en ese momento. Se abrirá de nuevo cuando se active la rotación de la hoja.



- Active el control remoto pulsando el botón de encendido / apagado.



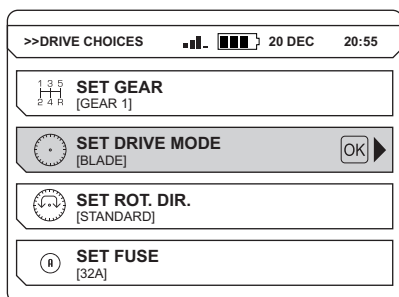
- WS 482 HF cuenta con dos engranajes mecánicos. Indique qué engranaje quiere ajustar. (OPC. DE CORREA>AJ. ENGR.) Encontrará más información sobre los discos y la velocidad recomendados en el apartado «Velocidad de disco recomendada» del capítulo «Datos técnicos».



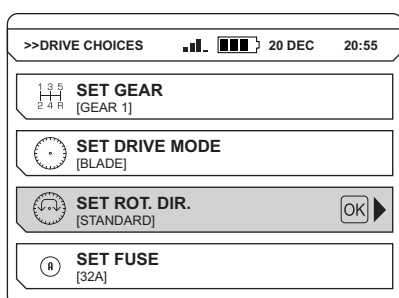
**¡NOTA!** Una velocidad más alta que la recomendada comporta riesgo de daños personales y del equipo.

# ARRANQUE Y PARADA

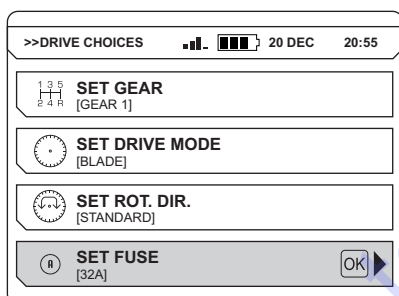
- Ajuste el modo de correa deseado en función de la unidad de alimentación que se utilizará en el corte de muros o de cables. (OPC. DE CORREA>AJ. OPC. DE CORREA)



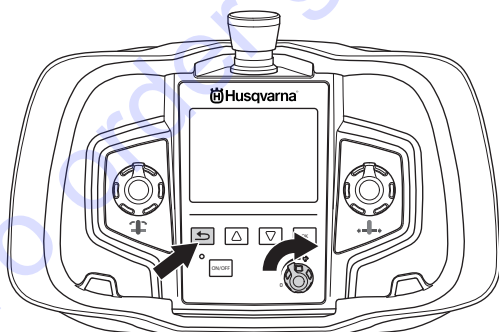
- Seleccione la dirección de rotación deseada. Solo se podrá modificar la dirección de rotación cuando el disco o cable no estén en movimiento. (OPC. DE CORREA>AJ. DIR. ROT.)



- Indique a qué fusible está conectada la unidad de alimentación. (OPC. DE CORREA>AJ. FUSIBLE)



- Active la rotación del disco o cable manteniendo pulsado el botón de retroceso mientras gira el control de rotación en el sentido de las agujas del reloj.

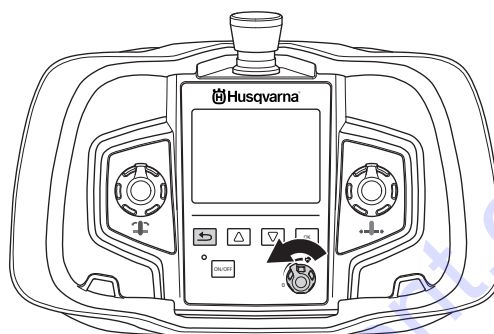


Si la válvula de agua está ajustada en «AUTOM.», existe un retardo de 3 segundos antes de que comience la rotación del disco. El retraso sirve para enfriar la unidad de alimentación, que puede calentarse cuando está activa y no hay agua refrigerada en circulación.

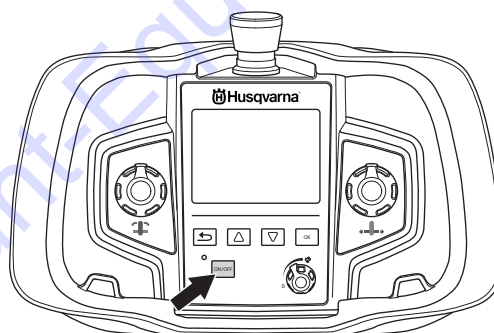
El flujo de agua se ajusta con la válvula esférica de la conexión de entrada de agua de la unidad.

## Parada

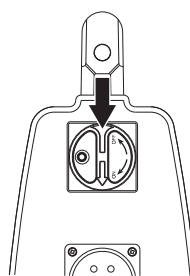
- Para desactivar la rotación de la hoja, gire el control de rotación en sentido contrario al de las agujas del reloj, hasta alcanzar la posición «0».



- El refrigerador de agua se apaga automáticamente con un retraso de tres segundos. Solo es aplicable si la válvula de agua está ajustada a «AUTOM.».
- Desactive el control remoto pulsando el botón de encendido / apagado.



- Seleccione la posición «0» del interruptor principal de la unidad eléctrica.



## Generalidades



**¡ATENCIÓN! El usuario sólo puede efectuar los trabajos de mantenimiento y servicio descritos en este manual. Los trabajos de mayor envergadura debe efectuarlos un taller de servicio oficial.**

La vida útil de la máquina puede acortarse y el riesgo de accidentes puede aumentar si el mantenimiento de la máquina no se hace de forma adecuada y si los trabajos de servicio y/o reparación no se efectúan de forma profesional. Para más información, consulte con el taller de servicio oficial más cercano.

## Mantenimiento diario

- Compruebe que el equipo de seguridad de la máquina está intacto. Consulte las instrucciones del apartado «Equipo de seguridad de la máquina».
- Compruebe que el cable y el cable de empalme está intacto.
- Limpiar siempre todo el equipo después de cada turno de trabajo. Utilice un cepillo manual extrafuerte o una brocha grande.
- Asegúrese de que los conectores y los pines están limpios. Límpielos con un trapo o un cepillo.

**AVISO** No utilice un equipo de limpieza a alta presión para limpiar la máquina. El chorro de alta presión puede dañar las juntas y hacer que se introduzca agua y suciedad en el interior de la máquina, provocando daños graves.

## Servicio



**¡ATENCIÓN! Las reparaciones de todo tipo deben ser efectuadas por técnicos autorizados, únicamente. De este modo se evita someter a los operadores a grandes riesgos.**

Después de 100 horas de funcionamiento, se mostrará el mensaje «Time for servicing» («Efectuar mantenimiento»). Deberá llevar el equipo a un distribuidor autorizado de Husqvarna para que efectúe el mantenimiento de la máquina. El mensaje reaparece 100 horas después de cada servicio.

## Mensajes de fallo

Si hubiese defectos, aparecería un mensaje de error en la pantalla. Siga las instrucciones indicadas o póngase en contacto con un distribuidor autorizado.

# MANTENIMIENTO

Código de fallo	Mensaje de error	Causa	Medida
F01	MOTOR SOBRECALENT.	Falta agua refrigeradora o es insuficiente para el motor de la sierra.	Verifique que el agua refrigeradora llega al motor de la sierra a un máximo de 25 °C y a 3,5 l/min como mínimo.
F02	UNIDAD DE ALIMENTACIÓN SOBRECALENT.	Falta agua refrigeradora o es insuficiente para la unidad.	Verifique que el agua refrigeradora llega a la unidad a un máximo de 25 °C y a 3,5 l/min como mínimo. Si aparece un mensaje al iniciar la rotación de la hoja, vaya al menú de funcionamiento y seleccione «ON» en «Water coolant» (agua refrigeradora). Deje que el agua refrigeradora circule por la unidad de alimentación durante un minuto antes de volver a iniciar la rotación de la hoja.
F03	TENSIÓN BAJA	Tensión eléctrica baja para la unidad.	Controle la tensión durante el funcionamiento. Compruebe que existen las tres fases. Verifique que los cables de entrada tienen una sección suficiente.
F04	TENSIÓN ALTA	Tensión alta en la unidad.	Controle la tensión durante el funcionamiento. Este mensaje se muestra normalmente cuando se utiliza un generador como fuente de alimentación.
F05	SOBREINTENSIDAD	Sobreintensidad en el motor de la sierra.	Compruebe que el conductor de alimentación está bien colocado y que no tiene ningún daño. Este mensaje puede mostrarse si hay algún contacto flojo.
F06	NO HALLSENSOR LENGTH (MOTOR DE AVANCE SIN SENSOR HALL)	Avería en la tarjeta del sensor HALL para el avance.	Lleve el equipo a un taller de reparación autorizado.
F07	NO HALLSENSOR ARM (MOTOR DE ENTRADA SIN SENSOR HALL)	Avería en la tarjeta del sensor HALL para la entrada.	Lleve el equipo a un taller de reparación autorizado.
F08	TRAVEL MOTOR OVERLOADED (MOTOR DE AVANCE SOBRECARGADO)	Motor de avance sobrecargado.	Para reiniciarlo, invierta la función de entrada. Si el mensaje de error vuelve a aparecer, lubrique los engranajes de entrada, limpie los rielos y ajuste el soporte de sierra. Si esto no ayuda, lleve el equipo a un taller de servicio autorizado Husqvarna.
F09	DEPTH MOTOR OVERLOADED (MOTOR DE ENTRADA SOBRECARGADO)	Motor de entrada sobrecargado.	Para reiniciarlo, invierta la función de entrada. Si el mensaje de error vuelve a aparecer, lubrique los engranajes de entrada. Si esto no ayuda, lleve el equipo a un taller de servicio autorizado Husqvarna.
F10	BLADE JAM (HOJA ATASCADA)	La hoja no puede girar.	Retire la hoja del lugar de corte y accione el giro de la hoja.
F11	GROUND FAULT OR NO SAW HEAD (FUGA O TIERRA O AUSENCIA DE CABEZAL DE SIERRA)	La conexión a tierra de la unidad de alimentación / sierra es incorrecta o no hay ninguna sierra conectada a la unidad de alimentación.	Compruebe la conexión eléctrica de entrada de la unidad de alimentación y verifique que la sierra está conectada a la unidad de alimentación. Si esto no ayuda, lleve el equipo a un taller de servicio autorizado Husqvarna.
F12	NON-COMPATIBLE SAW UNIT (SIERRA INCOMPATIBLE)	Se ha conectado una sierra incorrecta a la unidad de alimentación.	Conecte una sierra compatible con la unidad de alimentación.
F13	NO CONTACT CHECK CAN-CABLE (NO HAY CONTACTO, COMPROBAR CABLE CAN)	No hay contacto entre la unidad eléctrica y el control remoto.	Sustituya el cable CAN.
F14	NO RADIO CONTACT (NO HAY CONTACTO POR RADIO)	No hay contacto por radio entre el control remoto y la unidad de alimentación.	Compruebe que la unidad de alimentación está activada y que la luz indicadora verde está encendida. Si esto no ayuda, lleve el equipo a un taller de servicio de Husqvarna. La máquina puede utilizarse con el cable CAN entre la unidad de alimentación y el control remoto.

# DATOS TECNICOS

## PP 480 HF

Salida máx., kW	20 (32 A)
Amperaje nominal, A	16-32
Tensión de entrada, V	380-480 V, 50-60 Hz
Tensión de salida, V	340 V, 0-500 Hz
Seg. tensión de salida, V	24 V, 0-1500 Hz
Conexión eléctrica	3P+PE (4-pin) / 3P+N+PE (5-pin)
1 toma monofásica de 230 V	Solo dispositivos de 5 pines

### Resultado del generador: en min y kVA.

400V, 16A	12
400V, 25A	20
400V, 32A	24

### Peso, kg/lbs

Unidad eléctrica	23/51
Control remoto, con batería, sin correa de transporte	1,1/2,4

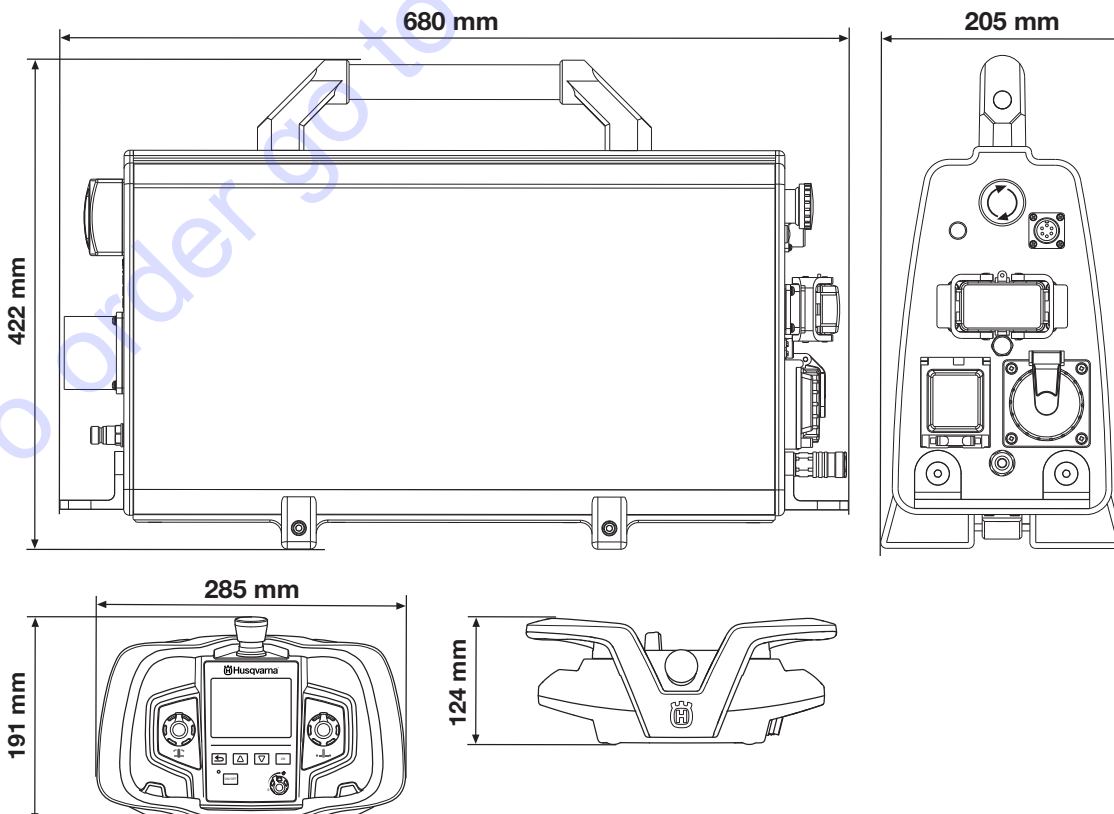
### Refrigeración por agua

Presión máx. de la refrigeración hidráulica, bar	7
Caudal mínimo de agua refrigeradora, l/min	3,5
Temperatura máx. de la refrigeración hidráulica a 3,5 l/min, °C	25

### Sistema de control

Tipo de control	Mando a distancia
Transmisión de la señal	Inalámbrico / cable

### Dimensiones



# DATOS TECNICOS

## Hoja

### Velocidad de la hoja recomendada



¡ATENCIÓN! Si corta a revoluciones demasiado elevadas puede causar daños a la hoja y daños personales.

Velocidad, r/min	
Engranaje 1	600-900
Engranaje 2	800-1200

Cuando se sierra a velocidades comprendidas entre las 800 y 900 rpm, se obtiene un resultado de serrado mayor si se utiliza el engranaje 1.

Siga las recomendaciones del fabricante de la hoja acerca del material y la velocidad cuando elija una hoja. Deberá utilizarse una velocidad más baja o realizarse un corte más superficial al cortar en hormigón duro que al cortar en hormigón blando.

	600 mm (24")	800 mm (32")	1000 mm (40")	1200 mm (48")	1600 mm (63")
600 r.p.m.					
700 r.p.m.					
800 r.p.m.					
900 r.p.m.					
1000 r.p.m.					
1100 r.p.m.					
1200 r.p.m.					

Hormigón	
	Duro
	Medio
	Blando



To order go to [Discount-Equipment.com](http://Discount-Equipment.com)

**GB - Original instructions, FR - Instructions d'origine, ES - Instrucciones originales**

**1154190-95**



**2011-05-18**

**TO PURCHASE THIS PRODUCT PLEASE CONTACT US**



**Equipment Financing and  
Extended Warranties Available**



**Discount-Equipment.com is your online resource for  
commercial and industrial quality parts and equipment sales.**

**561-964-4949**

**visit us on line @ [www.discount-equipment.com](http://www.discount-equipment.com)**

Select an option below to find your Equipment

**Search by Manufacturer**

**Search by Product Type**

**Request a Quote**

We sell worldwide for the brands: Genie, Terex, JLG, MultiQuip, Mikasa, Essick, Whiteman, Mayco, Toro Stone, Diamond Products, Generac Magnum, Airman, Haulotte, Barreto, Power Blanket, Nifty Lift, Atlas Copco, Chicago Pneumatic, Allmand, Miller Curber, Skyjack, Lull, Skytrak, Tsurumi, Husquvarna Target, Stow, Wacker, Sakai, Mi-T-M, Sullair, Basic, Dynapac, MBW, Weber, Bartell, Bennar Newman, Haulotte, Ditch Runner, Menegotti, Morrison, Contec, Buddy, Crown, Edco, Wyco, Bomag, Laymor, EZ Trench, Bil-Jax, F.S. Curtis, Gehl Pavers, Heli, Honda, ICS/PowerGrit, IHI, Partner, Imer, Clipper, MMD, Koshin, Rice, CH&E, General Equipment, Amida, Coleman, NAC, Gradall, Square Shooter, Kent, Stanley, Tamco, Toku, Hatz, Kohler, Robin, Wisconsin, Northrock, Oztec, Toker TK, Rol-Air, APT, Wylie, Ingersoll Rand / Doosan, Innovatech, Con X, Ammann, Mecalac, Makinex, Smith Surface Prep, Small Line, Wanco, Yanmar