

US

Operator's manual

Please read the operator's manual carefully and make sure you understand the instructions before using the machine.

FR

Manuel d'utilisation

Lire attentivement et bien assimiler le manuel d'utilisation avant d'utiliser la machine.

ES

Manual de instrucciones

Lea detenidamente el manual de instrucciones y asegúrese de entender su contenido antes de utilizar la máquina.

PP 480 HF



US FR ES

TO PURCHASE THIS PRODUCT PLEASE CONTACT US



**Equipment Financing and
Extended Warranties Available**



**Discount-Equipment.com is your online resource for
commercial and industrial quality parts and equipment sales.**

561-964-4949

visit us on line @ www.discount-equipment.com

Select an option below to find your Equipment

Search by Manufacturer

Search by Product Type

Request a Quote

We sell worldwide for the brands: Genie, Terex, JLG, MultiQuip, Mikasa, Essick, Whiteman, Mayco, Toro Stone, Diamond Products, Generac Magnum, Airman, Haulotte, Barreto, Power Blanket, Nifty Lift, Atlas Copco, Chicago Pneumatic, Allmand, Miller Curber, Skyjack, Lull, Skytrak, Tsurumi, Husquvarna Target, Stow, Wacker, Sakai, Mi-T-M, Sullair, Basic, Dynapac, MBW, Weber, Bartell, Bennar Newman, Haulotte, Ditch Runner, Menegotti, Morrison, Contec, Buddy, Crown, Edco, Wyco, Bomag, Laymor, EZ Trench, Bil-Jax, F.S. Curtis, Gehl Pavers, Heli, Honda, ICS/PowerGrit, IHI, Partner, Imer, Clipper, MMD, Koshin, Rice, CH&E, General Equipment, Amida, Coleman, NAC, Gradall, Square Shooter, Kent, Stanley, Tamco, Toku, Hatz, Kohler, Robin, Wisconsin, Northrock, Oztec, Toker TK, Rol-Air, APT, Wylie, Ingersoll Rand / Doosan, Innovatech, Con X, Ammann, Mecalac, Makinex, Smith Surface Prep, Small Line, Wanco, Yanmar

KEY TO SYMBOLS

Symbols on the machine:

WARNING! The machine can be a dangerous tool if used incorrectly or carelessly, which can cause serious or fatal injury to the operator or others.



Please read the operator's manual carefully and make sure you understand the instructions before using the machine.



Always wear:

- Approved protective helmet
- Approved hearing protection
- Protective goggles or a visor
- Breathing mask



WARNING! High current.



Environmental marking. Symbols on the product or its packaging indicate that this product cannot be handled as domestic waste. It must instead be submitted to an appropriate recycling station for the recovery of electrical and electronic equipment.

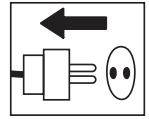


By ensuring that this product is taken care of correctly, you can help to counteract the potential negative impact on the environment and people that can otherwise result through the incorrect waste management of this product.

For more detailed information about recycling this product, contact your municipality, your domestic waste service or the shop from where you purchased the product.

Symbols in the operator's manual:

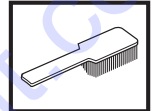
Inspection and/or maintenance should be carried out with the motor switched off and the plug disconnected.



Always wear approved protective gloves.



Regular cleaning is required.



Visual check.



Protective goggles or a visor must be worn.



CONTENTS

Contents

KEY TO SYMBOLS

| | |
|---|---|
| Symbols on the machine: | 2 |
| Symbols in the operator's manual: | 2 |

CONTENTS

| | |
|----------------|---|
| Contents | 3 |
|----------------|---|

WHAT IS WHAT?

| | |
|---------------------------------------|---|
| What is what on the power unit? | 4 |
|---------------------------------------|---|

SAFETY INSTRUCTIONS

| | |
|---|---|
| Steps before using a new power unit | 5 |
| Personal protective equipment | 5 |
| Machine's safety equipment | 6 |
| General safety precautions | 7 |
| General working instructions | 7 |

PRESENTATION

| | |
|-----------------|---|
| PP 480 HF | 8 |
|-----------------|---|

ASSEMBLY

| | |
|---------------------------------------|---|
| Assembling/Installing equipment | 9 |
|---------------------------------------|---|

SETTINGS AND ADJUSTMENTS

| | |
|-----------------------|----|
| Start menu | 10 |
| Operations menu | 10 |

STARTING AND STOPPING

| | |
|-------------------------------|----|
| Before starting | 11 |
| Starting | 11 |
| Stopping | 12 |
| After work is completed | 12 |

MAINTENANCE

| | |
|-------------------------|----|
| Service | 13 |
| Daily maintenance | 13 |

TECHNICAL DATA

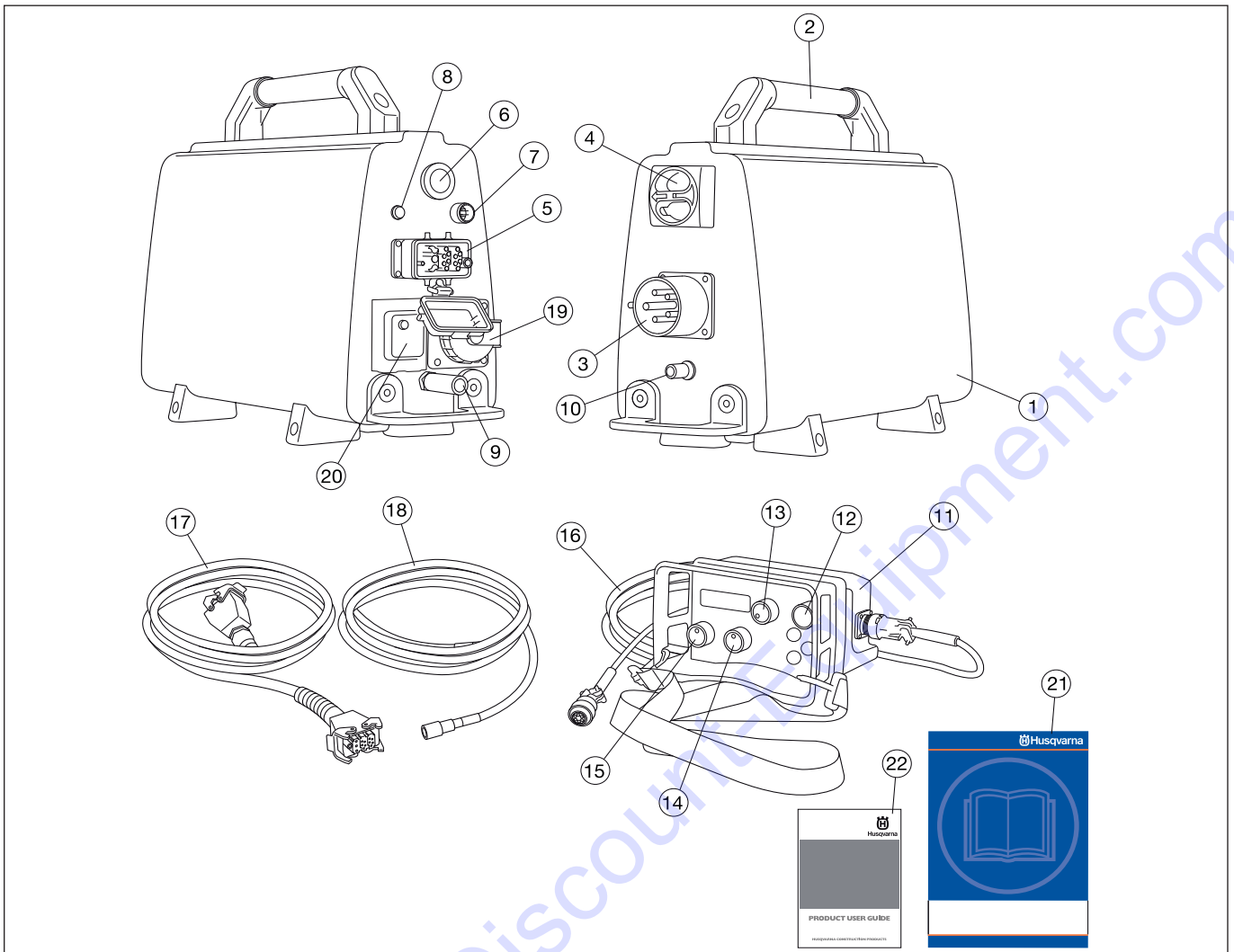
| | |
|-----------------|----|
| PP 480 HF | 14 |
|-----------------|----|

US WARRANTY STATEMENT

| | |
|-----------------------|----|
| WARRANTY POLICY | 16 |
| EQUIPMENT | 16 |

To order go to Discount-Equipment.com

WHAT IS WHAT?



What is what on the power unit?

- | | |
|------------------------|---|
| 1 Power unit | 12 Start button |
| 2 Handle | 13 Blade rotation and start water coolant |
| 3 Electrical socket | 14 Travel feed |
| 4 Main switch | 15 Blade motion |
| 5 Cable connection | 16 Canbus cable |
| 6 Emergency stop | 17 Power cable |
| 7 Canbus port | 18 Water hose |
| 8 Power indicator | 19 Single phase socket - Only 5-pin machines |
| 9 Water connector, out | 20 Ground-fault circuit breaker - Only 5-pin machines |
| 10 Water connector, in | 21 Operator's manual |
| 11 Remote control | 22 DVD - Product user guide |

SAFETY INSTRUCTIONS

Steps before using a new power unit

- Please read the operator's manual carefully and make sure you understand the instructions before using the machine.
- See the supplied DVD for working technique tips.
- This machine is only intended for use together with a Husqvarna WS 482 HF. All other use is forbidden.
- Read through the manual supplied with the wall saw before starting to use the hydraulic unit.
- The machine can cause serious personal injury. Read the safety instructions carefully. Learn how to use the machine.

Always use common sense

It is not possible to cover every conceivable situation you can face. Always exercise care and use your common sense. Avoid all situations which you consider to be beyond your capability. If you still feel uncertain about operating procedures after reading these instructions, you should consult an expert before continuing.

Do not hesitate to contact Discount-equipment if you have any more questions about the use of the machine. We will willingly be of service and provide you with advice as well as help you to use your machine both efficiently and safely .

Let Discount-equipment regularly check the machine and make essential adjustments and repairs.

All information and all data in the Operator's Manual were applicable at the time the Operator's Manual was sent to print.



WARNING! Under no circumstances should you modify the original design of the machine without approval from the manufacturer. Always use original spare parts. Unauthorized modifications and/or accessories may lead to serious injury or death to the user or others.

Personal protective equipment

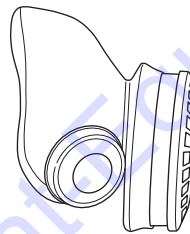


WARNING! You must use approved personal protective equipment whenever you use the machine. Personal protective equipment cannot eliminate the risk of injury but it will reduce the degree of injury if an accident does happen. Ask your dealer for help in choosing the right equipment.

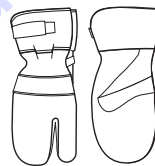
- Protective helmet
- Hearing protection
- Protective goggles or a visor



- Breathing mask



- Heavy-duty, firm grip gloves.



- Tight-fitting, heavy-duty and comfortable clothing that permits full freedom of movement.



- Boots with steel toe-caps and non-slip sole



- Always have a first aid kit nearby.



SAFETY INSTRUCTIONS

Machine's safety equipment



This section describes the machine's safety equipment, its purpose, and how checks and maintenance should be carried out to ensure that it operates correctly. See the "What is what?" section to locate where this equipment is positioned on your machine.

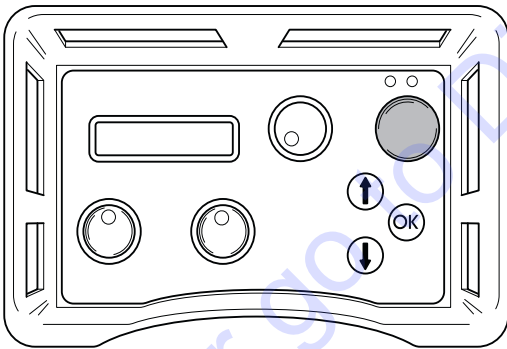


WARNING! Never use a machine with faulty safety equipment. The machine's safety equipment must be checked and maintained as described in this section. If your machine fails any of these checks contact Discount-equipment to get it repaired.

IMPORTANT! All servicing and repair work on the machine requires special training. This is especially true of the machine's safety equipment. If your machine fails any of the checks described below you must contact Discount-equipment. When you buy any of our products we guarantee the availability of professional repairs and service. If the retailer who sells your machine is not a servicing dealer, ask him for the address of your nearest service agent.

Start button

The start button must be pushed and held to be able to start the blade rotation. This in order to prevent unintended starting of the blade rotation.

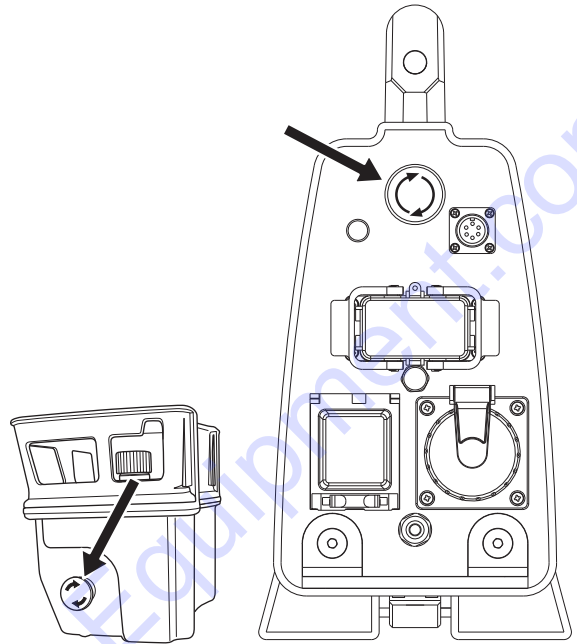


Checking the start button

- Turn the knob for blade rotation without pushing and holding the start button.
The blade rotation must not start.
- Push and hold the start button and turn the knob for blade rotation.
Now the blade rotation shall start.

Emergency stop and stop button

The power unit is equipped with an emergency stop and the remote control with a stop button. These are used to be able to quickly shut down the power unit.

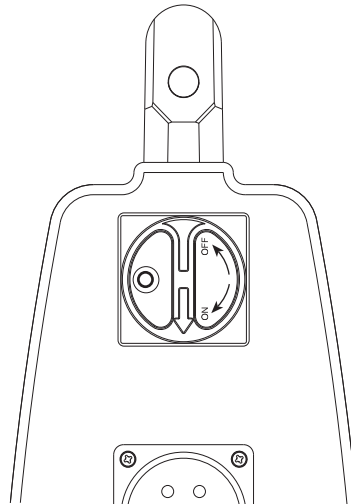


Check the emergency stop and stop button

- Start the blade rotation.
- Push the emergency stop on the power unit and check that the blade rotation stops. Check the stop button on the remote control in the same way.

Main switch

The power switch should be used to start and stop the machine. The main switch is used to switch the electricity supply to the power unit on and off. The main switch must be in the "0"-position when the incoming cable is connected.



Checking the main power switch

- Turn the main switch to the "0"-position.
- Try to start the saw.
The saw must not start.

SAFETY INSTRUCTIONS

General safety precautions



WARNING! Do not use the machine without first reading and understanding the contents of this Operator's Manual.

There is always a risk of shocks from electrically powered machines. Avoid unfavourable weather conditions and body contact with lightning conductors and metal objects. Always follow the instructions in the Operator's manual to avoid damage.

- Never use the machine if you are tired, if you have drunk alcohol, or if you are taking medication that could affect your vision, your judgement or your co-ordination.
- Wear personal protective equipment. See instructions under the heading "Personal protective equipment".
- Never carry the machine by holding the cable and never pull the plug by pulling the cable.
- Keep all cables away of water, oil and sharp edges. Make sure the cable is not pinched in doors, fences or the like. Otherwise it can cause the object to become live.
- Check that the cables are intact and in good condition. Never use the machine if any cable is damaged, but hand it in to an authorized service workshop for repair.
- Do not use an extension cord while it is rolled up to avoid overheating.
- The machine should be connected to an earthed outlet socket.
- Always connect the machine through a ground fault circuit interrupter with personal protection, i.e. a ground fault circuit interrupter that trips at an ground fault of 30 mA.
- Check that the mains voltage corresponds with that stated on the rating plate on the machine.
- Keep all parts in good working order and ensure that all fixtures are properly tightened.
- Never use a machine that is faulty. Carry out the checks, maintenance and service instructions described in this manual. Some maintenance and service measures must be carried out by trained and qualified specialists. See instructions under the heading Maintenance.
- Do not modify safety equipment. Check regularly that they function as they should. The machine must not be run with defective or disassembled safety equipment.
- Never allow anyone else to use the machine without first ensuring that they have understood the contents of the operator's manual.
- People and animals can distract you causing you to lose control of the machine. For this reason, always remain concentrated and focused on the task.
- Be careful as clothing, long hair, and jewellery can get caught in moving parts.
- Observe care when lifting. You are handling heavy parts, which implies the risk of pinch injuries or other injuries.

Transport and storage

- Always switch off the power unit and pull out the electric cable before moving the equipment.
- Store the equipment in a lockable area so that it is out of reach of children and unauthorized persons.
- Store the machine and its equipment in a dry and frost proof place. If there is a risk of freezing, the machine must be drained of any remaining water coolant.

- Use the cases provided to store the equipment.
- Do not expose the machine to temperatures exceeding 45°C or to direct sunlight.

General working instructions

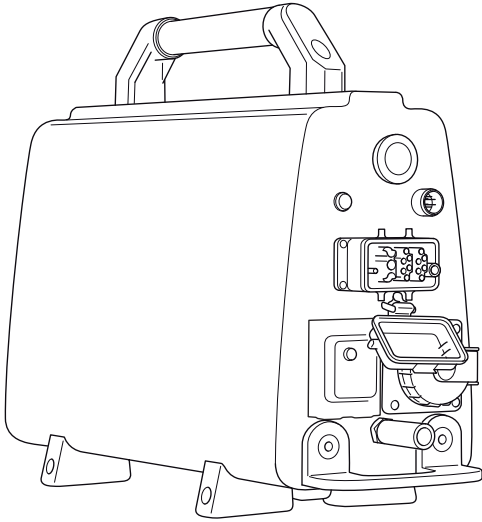


WARNING! This section describes basic safety directions for using the machine. This information is never a substitute for professional skills and experience. If you get into a situation where you feel unsafe, stop and seek expert advice. Contact Discount-equipment. Do not attempt any task that you feel unsure of!

- All operators shall be trained in the use of the machine. The owner is responsible for ensuring that the operators receive training.
- Check that all couplings, connections and cables are intact and free from dirt.
- Check that all cables and the water supply are correctly connected to the machine before starting it.
- Never pull out the power cable without first switching off the power unit and waiting for the engine to come to a complete halt.
- If an emergency situation should arise anyway, push the red emergency stop button on the power unit or the stop button on the remote control.
- Always check and mark out where gas pipes are routed. Cutting close to gas pipes always entails danger. Make sure that sparks are not caused when cutting in view of the risk of explosion. Remain concentrated and focused on the task. Carelessness can result in serious personal injury or death.
- Make sure that no pipes or electrical cables are routed in the area to be cut.
- Check that electrical cables within the working area are not live.
- Never leave the machine unsupervised with the motor running.
- Always saw in a manner that permits easy access to the emergency stop.
- Make sure that there is always another person close at hand when you use the machines, so that you can call for help if an accident should occur.
- Do not use the machine in bad weather, such as dense fog, rain, strong wind, intense cold, etc. Working in bad weather is tiring and can lead to dangerous conditions, e.g. slippery surfaces.
- Ensure that the working area is sufficiently illuminated to create a safe working environment.
- Always ensure you have a safe and stable working position.
- Observe care when lifting. You are handling heavy parts, which implies the risk of pinch injuries or other injuries.
- Do not expose the machine to temperatures exceeding 45°C or to direct sunlight.
- Do not use the machine in wet or humid surroundings, close to water, in the rain or snow.
- Do not wash the machine with water, as water can enter the electrical system or the engine and cause damage to the machine or short circuit.

PRESENTATION

PP 480 HF



It is our wish that you will be satisfied with your product and that it will be your companion for a long time. Think of this operator's manual as a valuable document. By following its' content (using, service, maintenance etc) the life span and the second-hand value of the machine can be extended. If you ever lend or sell this machine, make sure that the borrower or buyer gets the operator's manual, so they will also know how to properly maintain and use it.

A purchase of one of our products gives you access to professional help with repairs and services. If the retailer who sells your machine is not one of our authorised dealers, ask him for the address of your nearest service workshop.

Husqvarna Construction Products has a policy of continuous product development. Husqvarna reserves the right to modify the design and appearance of products without prior notice and without further obligation introduce design modifications.

General

- PP 480 HF is a power unit specially developed to be used with the electric wall saw WS 482 HF.
- It has a compact design and weighs just 23 kg (51 lb).
- Use 32 A for a 400 V system for full power.
- The power unit is connected to the saw with only a power lead and a water coolant hose.
- Equipped with a 230 V power outlet and a terminal for Canbus-cable.
- Equipped with an electric water valve which is controlled from the remote control.
- Through the remote control the operator receives information on power output, can measure the time and other things about the sawing process.

PP 480 HF is supplied with the following equipment:

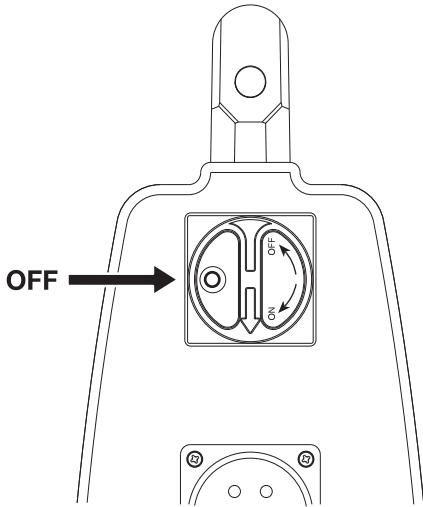
- 1 x power unit
- 1 x remote control
- 1 x power lead
- 1 x Canbus cable
- 1 x Water hose
- Transport boxes for smooth transport.
- DVD - Product user guide

ASSEMBLY

Assembling/Installing equipment

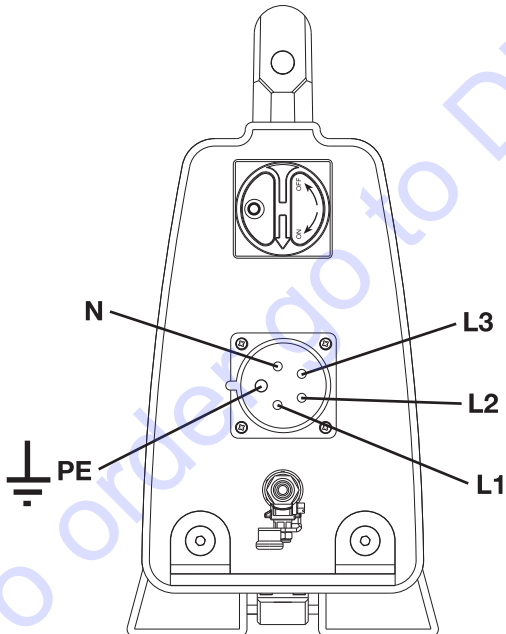
When the machine has been transported to a suitable site, it should be connected:

- Turn the main switch to the "0"-position.



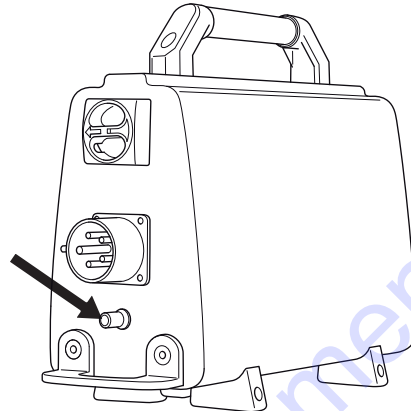
- Connect the incoming power cable (380-480 V, 32 A European connector). Power units equipped with a single phase socket (230 V) must also have a neutral wire in order for the socket to work. The power pack functions even if there is no neutral wire present.

To be able to use full power output, the power unit must be connected to a 32 A fuse. With a 16 A or 25 A fuse the power output is lower so as not to overload the fuse. This is selected when starting up the power unit.

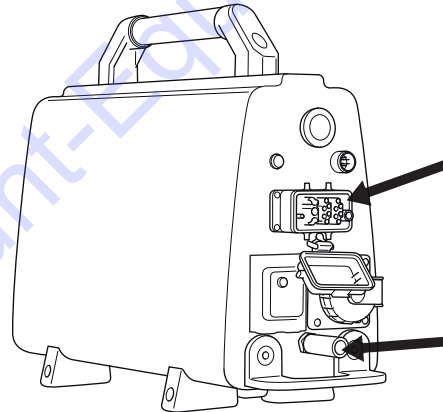


- Connect the water hose to the incoming water connector.

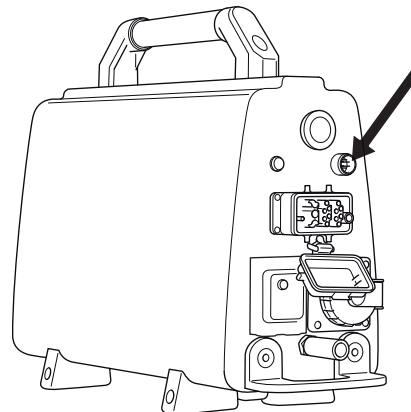
The power unit is equipped with an electric water valve, which is closed when the power pack is activated. When the power pack is without electricity, the valve is open to be able to drain water coolant if there is a risk of freezing.



- Connect the supplied power lead and water hose from the power unit to the saw unit.



- Connect the remote control using the supplied Canbus cable. Tighten the cable connector screws by hand.



SETTINGS AND ADJUSTMENTS

Start menu

The start menu is shown each time the power to the hydraulic unit is switched on.

- The remote control display shows "SELECT FUSE". The last alternative used is preset. Choose another gear using the arrow keys. Press OK to confirm the selection.

With a 25 A fuse you can use approx. 70% of the full output. With 16 A you can use approx. 50% of full output. The function is intended to obtain as high output as possible without overloading the fuse.

- The remote control display shows "SELECT GEAR". The last alternative used is preset. Choose another gear using the arrow keys. Press OK to confirm the selection.

On gear 1, the speed range is 600-900 rpm and on gear 2 the speed range is 800-1200 rpm. Check that the mechanical gear on the saw unit is corresponding with the electrically set gear in the remote control.

- The display now shows "HUSQVARNA PP-480 HF PRESS START".

Operations menu

As long as the power unit has voltage but the blade rotation stands still, the display shows "Husqvarna PP-480 HF PRESS START".

Before starting, all controls must be turned to zero position. If this is not done, a message in the display will prompt this when the start button is pushed. "TURN OFF TRAVEL FEEDING" or "TURN OFF DEPTH FEEDING" or "TURN OFF BLADE".

When the blade rotation is started, the display shows "X RPM, Y%, Z A", where X equals the engine speed, Y equals the output percentage of the maximum effect, and Z equals the selected fuse.

By navigating with the arrow keys, the following settings can be reached:

- Water coolant
- Select language
- Id power unit
- Time
- Total machine time
- Rotation direction
- Battery status

Water coolant

Select mode AUTO or ON. If AUTO is selected the water cooling is activated when the blade rotation starts. If ON is selected the water valve is always open. The water can be switched off manually with the water tap. The default mode at startup is AUTO. Selected mode is shown in the display. Change mode by pressing OK.

Select language

Using this sub-menu you can set the language you wish to use on the display.

Scroll using the arrow keys until the required language is shown. Confirm with 'OK'.

Id power unit

The display shows the identity number for the power unit.

Time

The function is used to measure the amount of time a job takes. The time is counted from when the saw starts working.

Select:

- ON, to enable.
- OFF, to disable.
- RESET TIME, to reset.

Browse with the arrow keys and confirm with "OK".

Total machine time

Here the total operation time of the power unit is shown. The time is shown in hours and minutes (hhhh:mm).

Rotation direction

Here you can set the rotation direction of the blade. Select standard or backwards by pressing "OK".

Battery status

Here you can see the battery status of the remote control for machines with radio communication.

- "NO BATT. CONNECT" - The machine does not have radio communication.
- "CHARGING BATTERY" - The CAN cable is connected and the battery is charging.
- "0% BATTERY 100%" - The bar shows the battery status.
- "BATTERY FULL" - The battery is fully charged.

STARTING AND STOPPING

Before starting



Before starting the saw, check that:

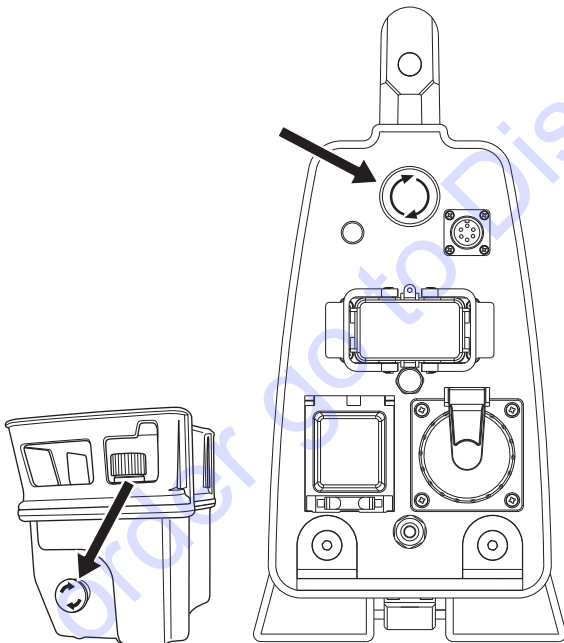
- The incoming electrical cable has been connected to a fuse rated at least 16 A.
- The power lead is connected to the saw unit.
- All controls on the remote control have been set to zero position. If this is not done, a message in the display will prompt this when the start button is pushed.
- Enclose the area to be cut so that unauthorised persons can not be injured or disturb the operator.

IMPORTANT! A higher speed than the recommended speed can result in personal injury and damage to the equipment.

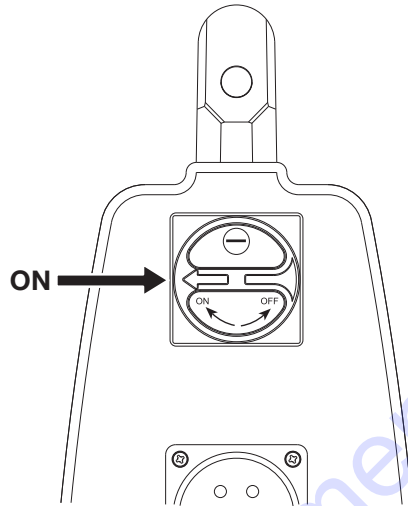
Starting



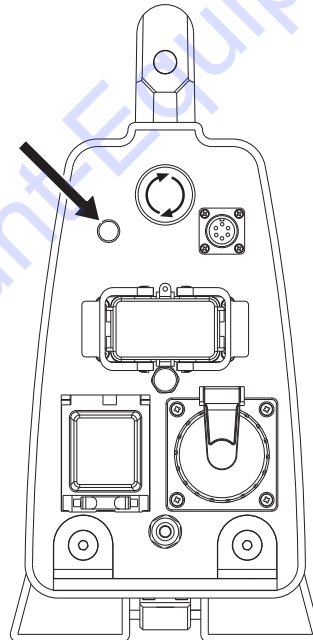
- Check that the emergency stop button on the power unit and the stop button on the remote control are not pressed by turning them clockwise.



- Turn the main switch to "1"-position.



- The power unit is activated and this is shown by the indicator light shining.



The water valve in the power unit is now closed. This valve opens again when the blade rotation is started.

- The remote control display shows "SELECT FUSE". The last alternative used is preset. Choose another gear using the arrow keys. Press OK to confirm the selection.

With a 25 A fuse you can use approx. 70% of the full output. With 16 A you can use approx. 50% of full output. The function is intended to obtain as high output as possible without overloading the fuse.

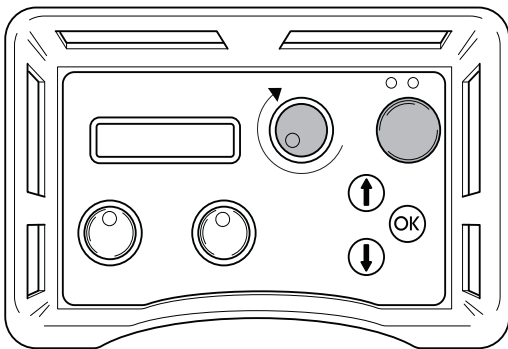
The power output for the chosen fuse is shown in percent on the display.

- The remote control display shows "SELECT GEAR". The last alternative used is preset. Choose another gear using the arrow keys. Press OK to confirm the selection.

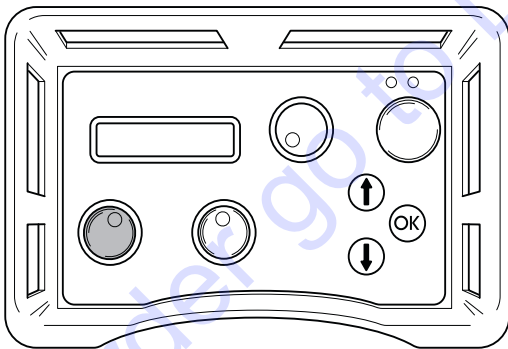
Check that the mechanical gear on the saw unit is corresponding with the electrically set gear in the remote control. On gear 1, the speed range is 600-900 rpm and on gear 2 the speed range is 800-1200 rpm. For more information on recommended blades and speeds, see "Recommended blade speeds" in the "Technical data" section.

STARTING AND STOPPING

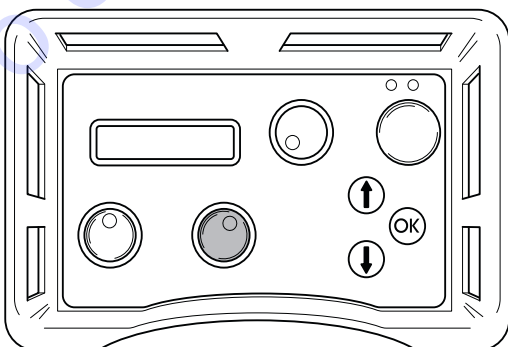
- The display now shows "HUSQVARNA PP-480 HF PRESS START".
- On the saw unit WS 480 HF, the blade's rotation direction is adjustable.
Press "arrow up" on the remote control unit's membrane key to select the direction. The display shows "BLADE ROTATION STANDARD" or "BLADE ROTATION REVERSE". To change the current selection, press "OK". This must only be done when the blade is not moving.
- Start the blade rotation by pushing and holding the green start button while turning the control for rotation direction clockwise. There is a three seconds delay before the blade rotation starts. You can follow the countdown in the display. The delay is to cool down the power unit which can get hot when active and no cooling water is circulating.



- There is no delay if selected mode for water coolant is ON.
- The water cooling starts automatically when the knob for blade rotation is turned from its zero position. NOTE! Applies only if the water coolant mode is set to AUTO. The water flow is adjusted with the ball valve at the incoming water connector on the power unit.
- Start the blade motion by turning the blade motion knob on the remote control in the desired direction.



- Start the saw unit's travel feed by turning the travel feed control in the desired direction.

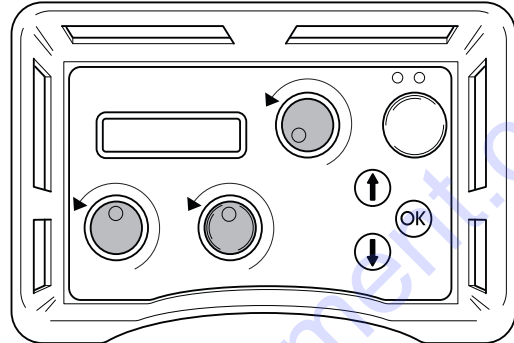


- Read through the manual supplied with the wall saw for further instructions in sawing technique.

Stopping



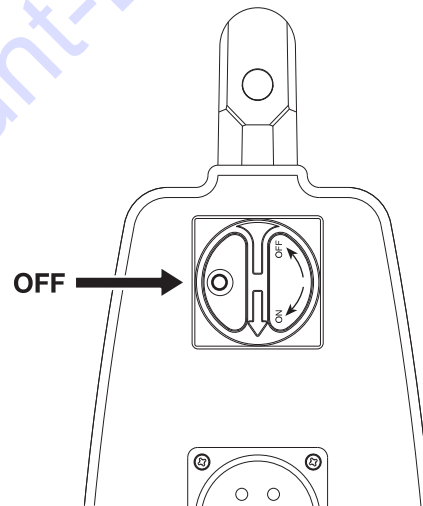
- To switch off the blade rotation, turn the blade rotation control anti-clockwise back to its zero position.



- The water coolant is turned off automatically with a 3 sec delay. NOTE! Applies only if the water coolant mode is set to AUTO.

Also turn the depth feeding and travel feeding controls to their zero positions.

- Turn the main switch on the power unit to "0"-position.



After work is completed

Dismantling the equipment

- Disconnect the incoming power lead and incoming water hose.
- Disconnect the power lead and water hose between the power unit and the saw unit.
- If there is a risk of freezing, the machine must be drained of any remaining water coolant.

Cleaning



Make sure to keep the connectors and pins clean. Clean with a rag or brush.

Do not use a high pressure washer to clean the power unit.

MAINTENANCE

Service



IMPORTANT! All types of repairs may only be carried out by authorised repairmen. This is so that the operators are not exposed to great risks.

After 100 hours of operation, the message "Time for servicing" is displayed. The entire equipment shall then be taken to Discount-equipment for servicing. The message reappears 100 hours after each service.

Error messages

In case of any defects, an error message appears on the display. Follow the directions supplied or contact Discount-equipment.

| Fault Code | Error message | Procedure | Steps |
|------------|-----------------------------|--|---|
| F01 | MOTOR OVERHEATED | Water coolant lacking/insufficient to saw motor. | Check that the water coolant flows to the saw motor and that it is max. 25°C and min 3.5 l/min. |
| F02 | POWER OVERHEATED | Water coolant lacking/insufficient to power unit. | Check that the water coolant flows to the power unit and that it is max 25°C and min 3.5 l/min. If the message pops up when the blade rotation is started - go to the operations menu and "Water coolant" and select "ON". Let the water coolant circulate the power unit for a minute before you turn the blade rotation on again. |
| F03 | LOW VOLTAGE | Low voltage supply to the power unit. | Check the voltage during operation. Check that all three phases exist. Check that incoming cables have sufficient cross-sectional area. |
| F04 | HIGH VOLTAGE | High voltage to the power unit. | Check the voltage during operation. This message is shown mainly when using a generator as power source. |
| F05 | OVER CURRENT | Over current to saw motor | Check that the power lead is fitted correctly and that it is not damaged. The message can appear in case of a loose contact. |
| F06 | NO HALL SENS. TRAVEL MOTOR | Fault on HALL-sensor card for travel feed | Take the equipment to Discount-equipment. |
| F07 | NO HALL SENS. DEPTH MOTOR | Fault on HALL-sensor card for depth feeding | Take the equipment to Discount-equipment. |
| F08 | TRAVEL MOTOR OVERLOADED | Travel motor overloaded. | To reset, reverse the feeding function. If the fault message returns, grease the feeder gears, clean the rails and adjust the saw carriage. If this does not help, hand in the equipment to Discount-equipment. |
| F09 | DEPTH MOTOR OVERLOADED | Depth motor overloaded. | To reset, reverse the feeding function. If the fault message returns, grease the feeder gears. If this does not help, hand in the equipment to Discount-equipment. |
| F10 | BLADE JAM | Blade can not rotate. | Remove the blade from the cut and start the blade rotation. |
| F11 | GROUND FAULT OR NO SAW HEAD | Incorrect earthing of power pack/saw or no saw unit connected to the power pack. | Check the incoming electrical connection to the power pack and that the saw unit is connected to the power pack. If this does not help, hand in the equipment to Discount-equipment. |
| F12 | NON-COMPATIBLE SAW UNIT | Incorrect saw unit connected to the power pack. | Connect a compatible saw unit to the power pack. |
| F13 | NO CONTACT CHECK CAN-CABLE | No contact between power unit and remote control | Replace the Canbus-cable. |
| F14 | NO RADIO CONTACT | No radio contact between remote control and power unit. | Check that the power pack is activated and that the green indicator light is on. If this does not help, hand in the equipment to Discount-equipment. The machine can be used with the Canbus cable between the power pack and remote control. |

Daily maintenance

Regularly check:

- Any abnormal noises.
- Make sure to keep the connectors and pins clean. Clean with a rag or brush.
- Do not use a high pressure washer to clean the power unit.

TECHNICAL DATA

PP 480 HF

| | |
|-------------------------|---------------------------------|
| Max. output, kW | 20 (32 A) |
| Rated current, A | 16-32 |
| Input voltage, V | 380-480 V, 50-60 Hz |
| Output voltage, V | 340 V, 0-500 Hz |
| Sec. output voltage, V | 24 V, 0-1500 Hz |
| Power supply | 3P+PE (4-pin) / 3P+N+PE (5-pin) |
| 1x230V one phase outlet | Only 5-pin machines |

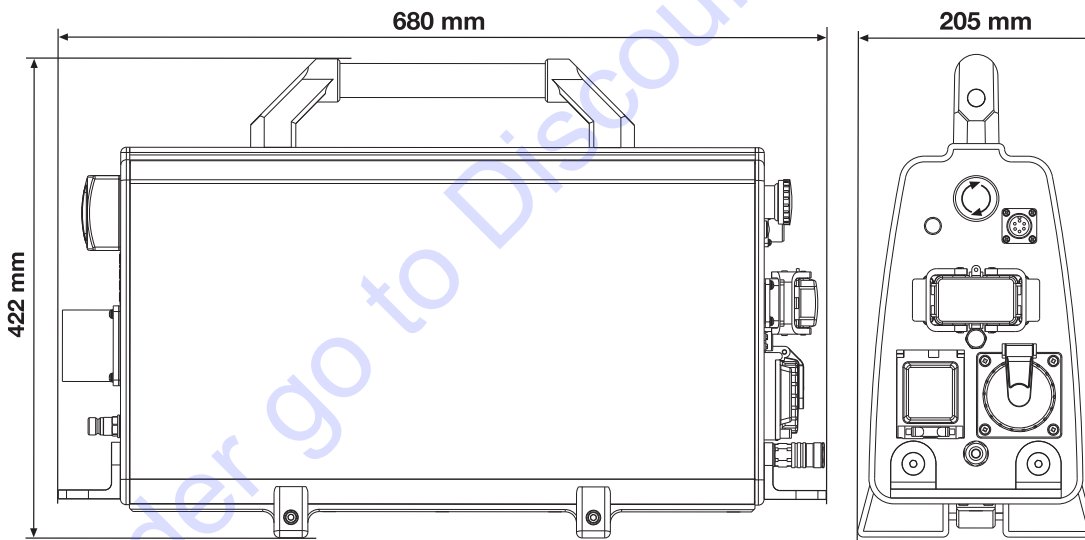
Effect generator - min., kWA

| | |
|-----------|----|
| 400V, 16A | 12 |
| 400V, 25A | 20 |
| 400V, 32A | 24 |

Weight, kg/lbs 23/51

| | |
|--|-----|
| Cooling water pressure - max, bar | 7 |
| Water coolant flow min., l/min | 3,5 |
| Max cooling water temperature at 3,5 l/min, °C | 25 |

Dimensions



TECHNICAL DATA

Blade

Recommended blade speed



WARNING! Cutting at too high revs can cause damage to the blade and lead to personal injury.

| Speed, rpm | |
|------------|----------|
| Gear 1 | 600-900 |
| Gear 2 | 800-1200 |

When sawing at 800-900 rpm, a higher sawing output is obtained if gear 1 is used.

Follow the blade manufacture's recommendations regarding material and blade speed when choosing blade. When cutting in hard concrete, a lower speed or a more shallow cut is required compared to cutting in soft concrete.

| | 600 mm (24") | 800 mm (32") | 1000 mm (40") | 1200 mm (48") | 1600 mm (63") |
|----------|--------------|--------------|---------------|---------------|---------------|
| 600 rpm | | | | | |
| 700 rpm | | | | | |
| 800 rpm | | | | | |
| 900 rpm | | | | | |
| 1000 rpm | | | | | |
| 1100 rpm | | | | | |
| 1200 rpm | | | | | |

| Concrete | |
|----------|--------|
| | Hard |
| | Medium |
| | Soft |

To order go to Discount-Equipment.com

EXPLICATION DES SYMBOLES

Symboles sur la machine:

AVERTISSEMENT! La machine utilisée de manière imprudente ou inadéquate peut devenir un outil dangereux, pouvant causer des blessures graves voire mortelles à l'utilisateur et aux autres personnes présentes.



Lire attentivement et bien assimiler le manuel d'utilisation avant d'utiliser la machine.



Toujours utiliser:

- Casque de protection homologué
- Protecteurs d'oreilles homologués
- Lunettes protectrices ou visière
- Masque respiratoire



AVERTISSEMENT! Courant élevé.



Marquage environnemental. Ce symbole figurant sur le produit ou sur son emballage indique que ce produit ne peut pas être traité comme déchet ménager. Il doit être collecté et amené à une installation de récupération appropriée de déchets d'équipements électriques et électroniques.

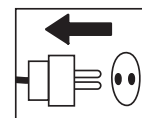


En veillant à ce que ce produit soit correctement éliminé, vous pouvez contribuer à prévenir les conséquences négatives potentielles sur l'environnement et les hommes, qui pourraient sinon être le résultat d'un traitement incorrect des déchets de ce produit.

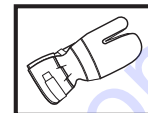
Pour des informations plus détaillées sur le recyclage de ce produit, contactez votre commune ou le magasin où vous avez acheté le produit.

Symboles dans le manuel:

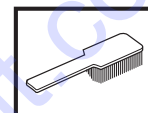
Les contrôles et/ou les entretiens doivent être effectués avec le moteur à l'arrêt et la prise électrique débranchée.



Toujours porter des gants de protection homologués.



Un nettoyage régulier est indispensable.



Examen visuel.



Porter des lunettes protectrices ou une visière.



SOMMAIRE

Sommaire

EXPLICATION DES SYMBOLES

| | |
|--------------------------------|----|
| Symboles sur la machine: | 17 |
| Symboles dans le manuel: | 17 |

SOMMAIRE

| | |
|----------------|----|
| Sommaire | 18 |
|----------------|----|

QUELS SONT LES COMPOSANTS?

| | |
|---|----|
| Quoi est quoi dans le groupe moteur ? | 19 |
|---|----|

INSTRUCTIONS DE SÉCURITÉ

| | |
|---|----|
| Avant d'utiliser un nouveau groupe moteur | 20 |
| Équipement de protection personnelle | 20 |
| Équipement de sécurité de la machine | 21 |
| Instructions générales de sécurité | 22 |
| Méthodes de travail | 23 |

PRÉSENTATION

| | |
|-----------------|----|
| PP 480 HF | 24 |
|-----------------|----|

MONTAGE

| | |
|--|----|
| Montage/Installation de l'équipement | 25 |
|--|----|

RÉGLAGES

| | |
|------------------------------|----|
| Menu de démarrage | 26 |
| Menu de fonctionnement | 26 |

DÉMARRAGE ET ARRÊT

| | |
|------------------------------------|----|
| Avant de démarrer la machine | 27 |
| Démarrage | 27 |
| Arrêt | 28 |
| Après le travail | 28 |

ENTRETIEN

| | |
|---------------------------|----|
| Service | 29 |
| Entretien quotidien | 30 |

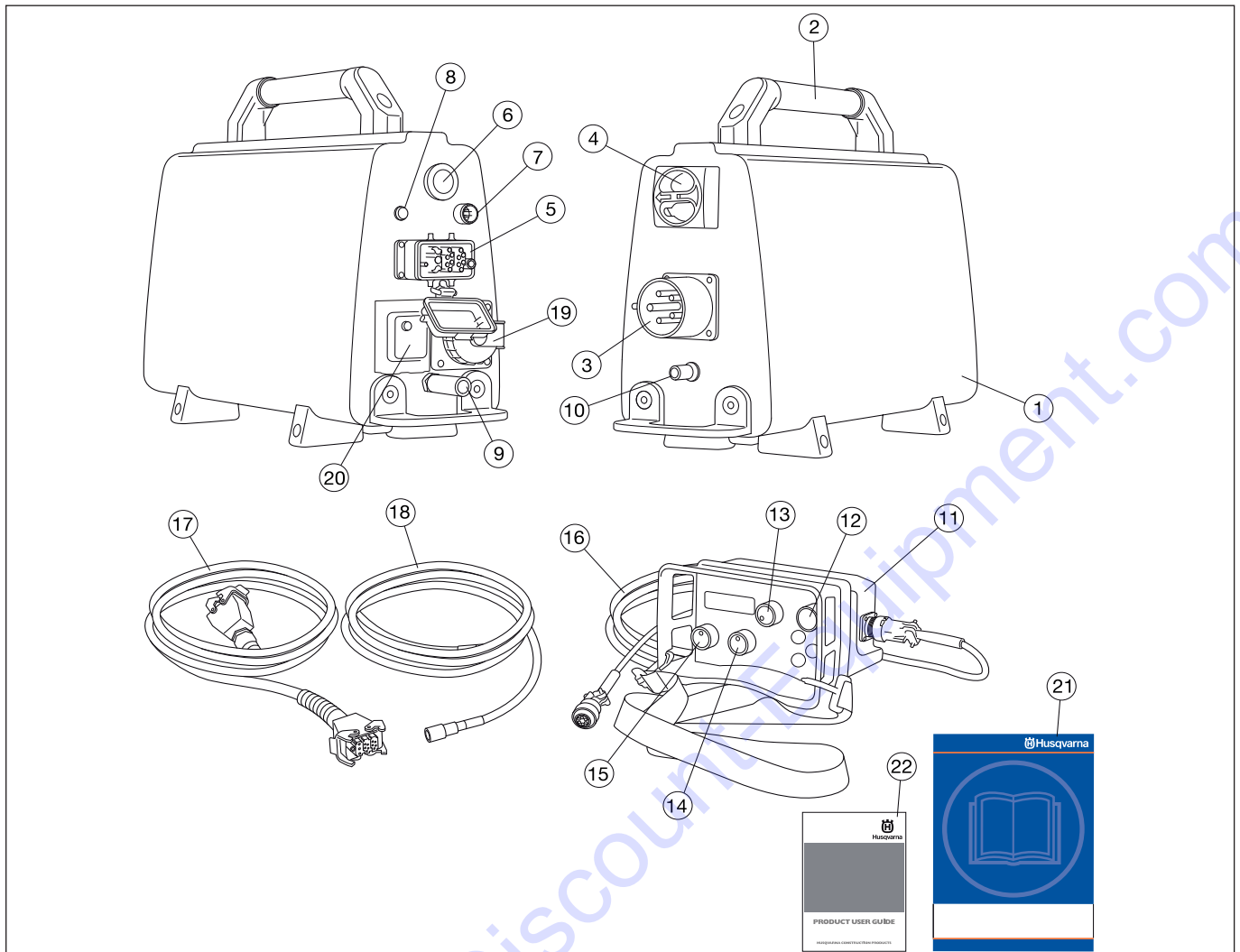
CARACTÉRISTIQUES TECHNIQUES

| | |
|-----------------|----|
| PP 480 HF | 31 |
|-----------------|----|

DECLARATION DE GARANTIE ETATS-UNIS

| | |
|-----------------------------|----|
| POLITIQUE DE GARANTIE | 33 |
| EQUIPEMENT | 33 |

QUELS SONT LES COMPOSANTS?



Quoi est quoi dans le groupe moteur ?

- | | | | |
|----|--------------------------|----|---|
| 1 | Groupe moteur | 13 | Rotation de la lame et démarrage de l'eau de refroidissement |
| 2 | Poignée | 14 | Alimentation en longueur |
| 3 | Prise électrique | 15 | Entrée |
| 4 | Interrupteur principal | 16 | Câble bus Can |
| 5 | Branchement des câbles | 17 | Câble électrique |
| 6 | Arrêt d'urgence | 18 | Flexible à eau |
| 7 | Port bus Can | 19 | Prise monophasée - Uniquement machines 5 broches |
| 8 | Indicateur de courant | 20 | Disjoncteur de fuite à la terre - Uniquement machines 5 broches |
| 9 | Raccord de l'eau, sortie | 21 | Manuel d'utilisation |
| 10 | Raccord de l'eau, entrée | 22 | DVD - Manuel d'utilisation du produit |
| 11 | Commande à distance | | |
| 12 | Bouton de démarrage | | |

INSTRUCTIONS DE SÉCURITÉ

Avant d'utiliser un nouveau groupe moteur

- Lire attentivement et bien assimiler le manuel d'utilisation avant d'utiliser la machine.
- Consultez le DVD fourni pour obtenir des conseils sur la méthode de travail.
- Cette machine est uniquement destinée à être utilisée avec Husqvarna WS 482 HF. Toute autre utilisation est interdite.
- Veuillez parcourir le manuel fourni avec la scie murale avant de commencer à utiliser le groupe hydraulique.
- La machine peut provoquer des blessures personnelles graves. Lire attentivement les consignes de sécurité. Apprendre à bien utiliser la machine.

Utilisez toujours votre bon sens

Il est impossible de mentionner toutes les situations auxquelles vous pouvez être confronté. Soyez toujours vigilant et utilisez l'appareil avec bon sens. Évitez toutes les situations pour lesquelles vous ne vous estimez pas suffisamment qualifié. Si, après avoir lu ces instructions, vous ne vous sentez toujours pas à l'aise quant à la manière de procéder, il convient de consulter un expert avant de poursuivre.

N'hésitez pas à prendre contact avec votre revendeur si vous avez des questions sur l'utilisation de la machine. Nous sommes à votre disposition et vous conseillons avec plaisir pour vous aider à utiliser votre machine en toute sécurité et de façon efficace.

Faites régulièrement contrôler la machine par votre revendeur Husqvarna afin qu'il procède aux installations et réparations adéquates.

Toutes les informations et toutes les données indiquées dans ce manuel d'utilisation étaient valables à la date à laquelle ce manuel a été porté à l'impression.



AVERTISSEMENT! Ne jamais modifier, sous aucun prétexte, la construction initiale de la machine sans l'autorisation du fabricant. N'utiliser que des accessoires et des pièces d'origine. Toute modification non autorisée et/ou tout emploi d'accessoires non homologués peuvent provoquer des accidents graves voire mortels pour l'utilisateur et les autres.

Équipement de protection personnelle

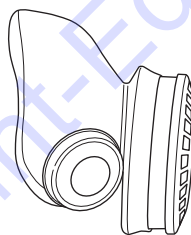


AVERTISSEMENT! Un équipement de protection personnelle homologué doit impérativement être utilisé lors de tout travail avec la machine. L'équipement de protection personnelle n'élimine pas les risques mais réduit la gravité des blessures en cas d'accident. Demander conseil au concessionnaire afin de choisir un équipement adéquat.

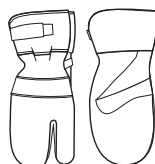
- Casque de protection
- Protecteur d'oreilles
- Lunettes protectrices ou visière



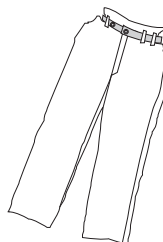
- Masque respiratoire



- Gants solides permettant une prise sûre.



- Vêtements confortables, robustes et serrés qui permettent une liberté totale de mouvement.



- Bottes avec coquille en acier et semelle antidérapante



- Une trousse de premiers secours doit toujours être disponible.



INSTRUCTIONS DE SÉCURITÉ

Équipement de sécurité de la machine



Ce chapitre présente les équipements de sécurité de la machine, leur fonction, comment les utiliser et les maintenir en bon état. Voir au chapitre Quels sont les composants? pour trouver leur emplacement sur la machine.

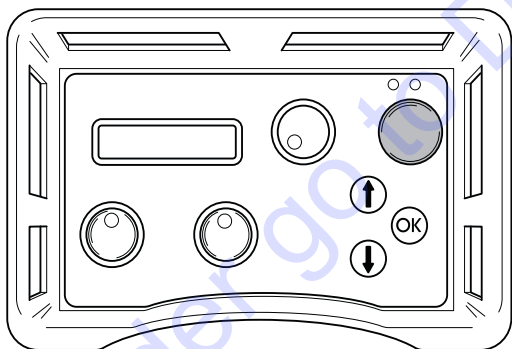


AVERTISSEMENT! Ne jamais utiliser une machine dont les équipements de sécurité sont défectueux. Contrôler et entretenir les équipements de sécurité de la machine conformément aux instructions données dans ce chapitre. Si les contrôles ne donnent pas de résultat positif, confier la machine à un atelier spécialisé.

IMPORTANT! L'entretien et la réparation de la machine exigent une formation spéciale. Ceci concerne particulièrement l'équipement de sécurité de la machine. Si les contrôles suivants ne donnent pas un résultat positif, s'adresser à un atelier spécialisé. L'achat de l'un de nos produits offre à l'acheteur la garantie d'un service et de réparations qualifiés. Si le point de vente n'assure pas ce service, s'adresser à l'atelier spécialisé le plus proche.

Bouton de démarrage

Il convient d'appuyer sur le bouton de démarrage pendant un certain temps pour lancer la rotation de la lame. Ceci afin d'éviter tout démarrage non désiré de la rotation de la lame.



Contrôle du bouton de démarrage

- Tourner le bouton de rotation de la lame sans appuyer sur le bouton de démarrage.

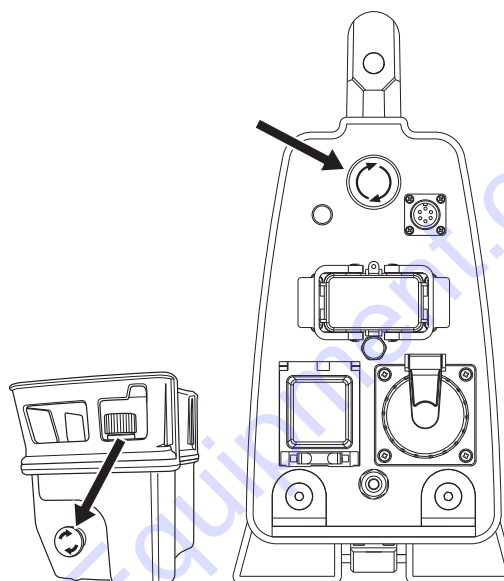
La rotation de la lame ne doit pas se lancer.

- Appuyer sur le bouton de démarrage pendant un certain temps et tourner le bouton de la rotation de lame.

Maintenant, la lame doit se mettre à tourner.

Arrêt d'urgence et bouton d'arrêt

Le groupe moteur est équipé d'un arrêt d'urgence et la commande à distance, d'un bouton d'arrêt. Ils sont habituellement utilisés pour arrêter rapidement le groupe moteur.

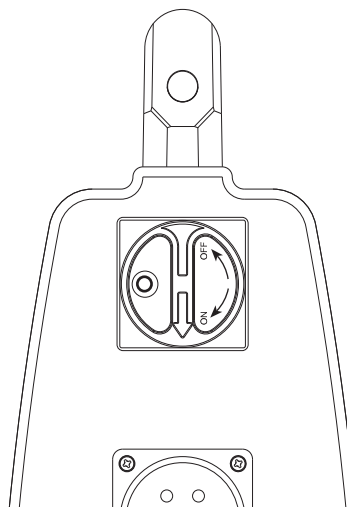


Contrôle de l'arrêt d'urgence et du bouton d'arrêt

- Démarrez la rotation de la lame.
- Appuyer sur l'arrêt d'urgence sur le groupe moteur et vérifier si la lame s'arrête de tourner. Contrôler le bouton d'arrêt de la commande à distance de la même façon.

Interrupteur principal

L'interrupteur principal est utilisé pour allumer et éteindre l'alimentation électrique du groupe moteur. L'interrupteur principal doit être en position "0" quand le câble d'alimentation est raccordé.



Contrôle de l'interrupteur principal

- Mettre l'interrupteur principal en position "0".
- Essayer de démarrer la scie.
La scie ne doit pas démarrer.

INSTRUCTIONS DE SÉCURITÉ

Instructions générales de sécurité



AVERTISSEMENT! Ne pas utiliser la machine sans avoir lu et compris préalablement le présent manuel d'utilisation.

Il existe toujours un risque de choc avec les machines électriques. Évitez de travailler par mauvais temps ainsi que tout contact du corps avec du métal/un parafoudre. Suivez toujours les instructions du manuel d'utilisation pour éviter tout dommage.

- Éviter d'utiliser la machine en cas de fatigue, d'absorption d'alcool ou de prise de médicaments susceptibles d'affecter l'acuité visuelle, le jugement ou la maîtrise du corps.
- Utiliser les équipements de protection personnelle. Voir au chapitre "Équipement de protection personnelle".
- Ne jamais porter la machine par le câble et ne jamais débrancher la prise en tirant sur le câble.
- Tenez à l'écart et protégez tous les câbles de l'eau, de l'huile et de bords tranchants. Veillez à ce que le câble ne soit pas coincé dans des portes, des clôtures ou tout autre équipement similaire. Des objets pourraient alors être sous tension.
- Contrôlez que les câbles sont intacts et en bon état. Ne pas utiliser la machine si le câble est endommagé. Il convient dès lors de la confier à un atelier de réparation agréé.
- N'utilisez pas la rallonge lorsqu'elle est enroulée afin d'éviter toute surchauffe.
- La machine doit être branchée à une prise de terre.
- Toujours brancher la machine via un disjoncteur de fuite à la terre avec protection personnelle, par exemple un disjoncteur de fuite à la terre qui s'enclenche à un défaut à la terre de 30 mA.
- Contrôler que la tension secteur est conforme aux indications sur la plaque de la machine.
- Assurez-vous que toutes les pièces sont en état de fonctionnement et que tous les éléments de fixation sont correctement serrés.
- Ne jamais utiliser une machine qui n'est pas en parfait état de marche. Suivre dans ce manuel d'utilisation les instructions de maintenance, de contrôle et d'entretien. Certaines mesures de maintenance et d'entretien doivent être confiées à un spécialiste dûment formé et qualifié. Voir au chapitre Entretien.
- Ne modifiez jamais les dispositifs de sécurité. Contrôlez régulièrement qu'ils fonctionnent correctement. La machine ne doit pas être utilisée si les dispositifs de sécurité sont défectueux ou ne sont pas montés.
- Ne jamais laisser d'autres personnes utiliser la machine sans s'être assuré au préalable que ces personnes ont bien compris le contenu du mode d'emploi.
- Des personnes ou des animaux peuvent détourner l'attention de l'opérateur et l'amener à perdre le contrôle de la machine. C'est pourquoi l'opérateur doit toujours être attentif et concentré sur son travail.

- Attention! Les habits, les cheveux longs et les bijoux peuvent se coincer dans les parties en mouvement.
- Faites preuve de prudence en cas de levage. Le maniement de pièces lourdes implique un risque de coinçage ou autre blessure.

Transport et rangement

- Veillez à toujours éteindre le groupe moteur et à débrancher le câble électrique avant de déplacer l'équipement.
- Stockez l'équipement dans un endroit verrouillé afin de le maintenir hors de portée des enfants et de toute personne incompétente.
- Rangez la machine et ses équipements dans un endroit sec et à l'abri du gel. S'il y a un risque de gel, la machine doit être vidangée de toute eau de refroidissement restante.
- Utilisez les boîtes fournies pour le remisage de l'équipement.
- N'exposez pas la machine à des températures dépassant 45°C ou aux rayons directs du soleil.

INSTRUCTIONS DE SÉCURITÉ

Méthodes de travail



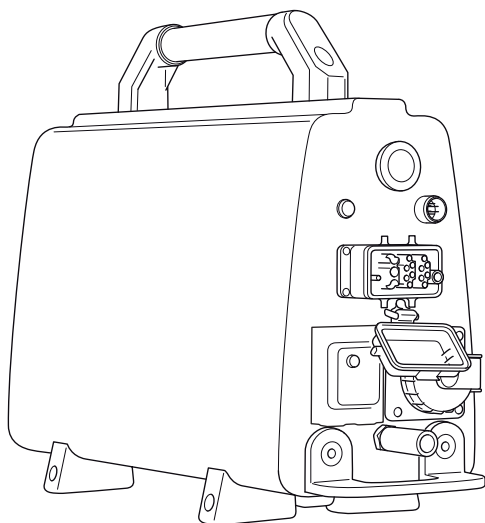
AVERTISSEMENT! Le présent chapitre décrit les consignes de sécurité de base relatives à l'utilisation de la machine. Aucune de ces informations ne peut remplacer l'expérience et le savoir-faire d'un professionnel. Si vous êtes confronté à une situation où vous pensez ne pas être en sécurité, arrêtez immédiatement et consultez un spécialiste. Veuillez contacter votre revendeur, votre atelier de réparation ou un utilisateur expérimenté. Il convient d'éviter tous les travaux pour lesquels vous ne vous sentez pas suffisamment qualifié !

- Tous les opérateurs doivent recevoir une formation sur l'utilisation de la machine. Il incombe au propriétaire de garantir que les opérateurs reçoivent une formation.
- Vérifiez que tous les couplages, raccordements et câbles sont intacts et qu'ils sont propres.
- Vérifiez que tous les câbles et l'arrivée d'eau sont correctement branchés sur la machine avant de la démarrer.
- Ne jamais débrancher le câble d'alimentation électrique sans avoir préalablement éteint le groupe moteur et attendu que le moteur s'arrête complètement.
- Si vous êtes confronté à une situation d'urgence, appuyez sur le bouton d'arrêt d'urgence rouge sur le groupe moteur ou sur le bouton d'arrêt de la commande à distance.
- Contrôlez toujours et marquez les emplacements des conduites de gaz. Scier près d'une conduite de gaz est toujours synonyme de danger. Veillez à éviter la formation d'étincelles lors du sciage en raison d'un certain risque d'explosion. L'opérateur doit toujours être attentif et concentré sur son travail. La négligence peut causer des blessures personnelles graves voire mortelles.
- S'assurer qu'il n'y a pas de tuyaux ou de câbles électriques qui traversent la zone de travail.
- Contrôlez que les câbles électriques présents dans la zone de travail ne sont pas sous tension.
- Ne laissez jamais la machine sans surveillance avec le moteur en marche.
- Ne sciez jamais d'une manière vous empêchant l'accès au bouton d'arrêt d'urgence.
- Lors de l'utilisation des machines, prévoyez toujours une personne à proximité afin de pouvoir obtenir de l'aide en cas d'accident.
- Ne pas travailler par mauvais temps: par exemple en cas de brouillard épais, de pluie, de vent violent, de froid intense, etc. Travailler par mauvais temps est fatigant et peut créer des conditions de travail dangereuses telles que le verglas.
- S'assurer que l'éclairage de la zone de travail est suffisant pour que l'environnement de travail soit de toute sécurité.
- Toujours adopter une position de travail sûre et stable.
- Faites preuve de prudence en cas de levage. Le maniement de pièces lourdes implique un risque de coinçage ou autre blessure.

- N'exposez pas la machine à des températures dépassant 45°C ou aux rayons directs du soleil.
- Ne pas utiliser la machine dans un environnement mouillé ou humide, à proximité d'eau, sous la pluie ou la neige.
- Ne lavez pas la machine avec de l'eau. Elle peut en effet s'infiltrer dans le système électrique ou le moteur et ainsi endommager la machine ou provoquer un court-circuit.

PRÉSENTATION

PP 480 HF



Nous espérons que cette machine vous donnera toute satisfaction et qu'elle vous accompagnera pendant de longues années. N'oubliez pas que ce manuel d'utilisation est important. En suivant les instructions qu'il contient (utilisation, révision, entretien, etc.), il est possible d'allonger considérablement la durée de vie de la machine et d'augmenter sa valeur sur le marché de l'occasion. En cas de vente de la machine, ne pas oublier de remettre le manuel d'utilisation au nouveau propriétaire.

L'achat de l'un des nos produits garantit une assistance professionnelle pour l'entretien et les réparations. Si la machine n'a pas été achetée chez l'un de nos revendeurs autorisés, demandez l'adresse de l'atelier d'entretien le plus proche.

Husqvarna Construction Products travaille constamment à améliorer la construction de ses produits. Husqvarna se réserve donc le droit de procéder à des modifications de construction sans avis préalable et sans autres engagements.

Généralités

- Le PP 480 HF est un groupe moteur spécialement conçu pour une utilisation avec la scie murale électrique WS 482 HF.
- Son design est compact et il ne pèse que 23 kg (51 lb).
- Pour une pleine puissance, il convient d'utiliser 32 A pour un système 400 V.
- L'unité électrique est branchée à la tronçonneuse par un seul câble électrique et un seul flexible d'eau de refroidissement.
- Equipé d'une prise électrique de 230 V et d'un terminal pour câble bus Can.
- Equipé d'une valve d'eau électrique contrôlé depuis la commande à distance.
- Par le biais de la commande à distance, l'opérateur reçoit des informations sur la puissance de sortie, peut mesurer la durée et d'autres paramètres du processus de sciage.

PP 480 HF est livré avec les équipements suivants :

- 1 groupe moteur
- 1 commande à distance
- 1 câble électrique
- 1 câble Canbus
- 1 Flexible à eau
- Boîtes pour un transport en toute sécurité
- DVD - Manuel d'utilisation du produit

TO PURCHASE THIS PRODUCT PLEASE CONTACT US



**Equipment Financing and
Extended Warranties Available**



**Discount-Equipment.com is your online resource for
commercial and industrial quality parts and equipment sales.**

561-964-4949

visit us on line @ www.discount-equipment.com

Select an option below to find your Equipment

Search by Manufacturer

Search by Product Type

Request a Quote

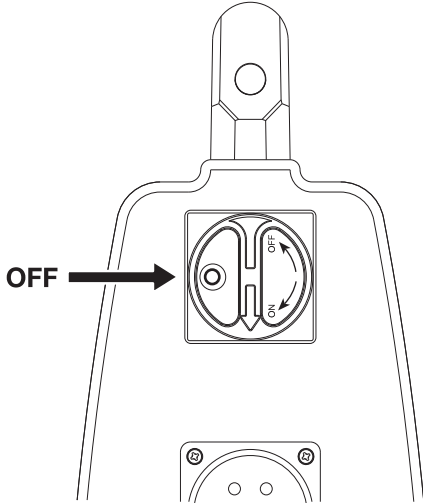
We sell worldwide for the brands: Genie, Terex, JLG, MultiQuip, Mikasa, Essick, Whiteman, Mayco, Toro Stone, Diamond Products, Generac Magnum, Airman, Haulotte, Barreto, Power Blanket, Nifty Lift, Atlas Copco, Chicago Pneumatic, Allmand, Miller Curber, Skyjack, Lull, Skytrak, Tsurumi, Husquvarna Target, Stow, Wacker, Sakai, Mi-T-M, Sullair, Basic, Dynapac, MBW, Weber, Bartell, Bennar Newman, Haulotte, Ditch Runner, Menegotti, Morrison, Contec, Buddy, Crown, Edco, Wyco, Bomag, Laymor, EZ Trench, Bil-Jax, F.S. Curtis, Gehl Pavers, Heli, Honda, ICS/PowerGrit, IHI, Partner, Imer, Clipper, MMD, Koshin, Rice, CH&E, General Equipment, Amida, Coleman, NAC, Gradall, Square Shooter, Kent, Stanley, Tamco, Toku, Hatz, Kohler, Robin, Wisconsin, Northrock, Oztec, Toker TK, Rol-Air, APT, Wylie, Ingersoll Rand / Doosan, Innovatech, Con X, Ammann, Mecalac, Makinex, Smith Surface Prep, Small Line, Wanco, Yanmar

MONTAGE

Montage/Installation de l'équipement

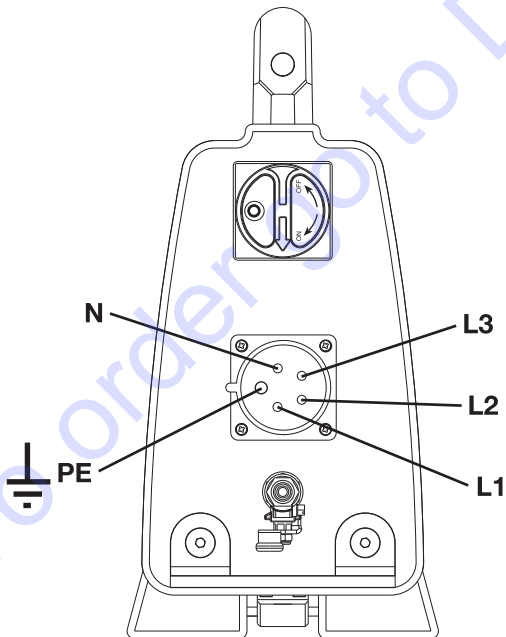
Après avoir été transportée à un emplacement approprié, la machine doit être branchée:

- Mettre l'interrupteur principal en position "0".



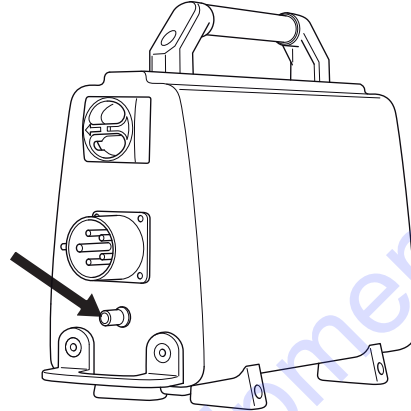
- Brancher le câble d'alimentation électrique (380-480 V, 32 A, prise européenne). Les groupes moteurs équipés d'une prise monophasée (230 V) doivent également disposer d'un fil neutre afin que la prise puisse fonctionner. Le bloc d'alimentation fonctionne même s'il n'y a pas de fil neutre.

Pour pouvoir utiliser la pleine puissance de sortie du groupe moteur, il convient de le raccorder à un fusible 32 A. En cas de fusible 16 A ou 25 A, la puissance est inférieure de façon à ne pas surcharger le fusible. La sélection se fait lors du démarrage du groupe moteur.

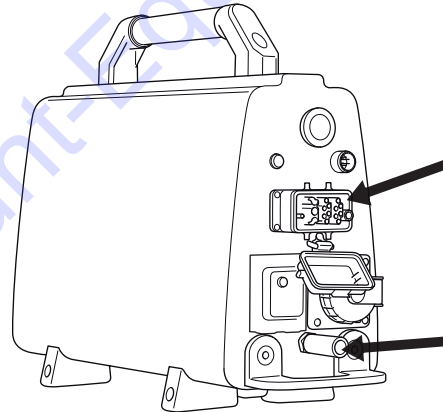


- Raccorder le flexible à eau au connecteur d'arrivée d'eau.

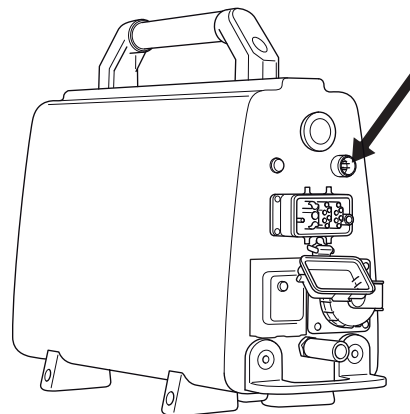
Le groupe moteur est équipé d'une valve d'eau électrique, qui se ferme lorsque le groupe moteur est activé. Quand le groupe moteur n'a pas d'électricité, la valve s'ouvre pour permettre la vidange d'eau de refroidissement afin d'éviter tout risque de gel.



- Brancher le câble électrique et le flexible d'eau fournis entre le groupe moteur et l'unité de sciage.



- Connecter la commande à distance à l'aide du câble Canbus joint à la livraison. Visser le contact du câble à la main.



RÉGLAGES

Menu de démarrage

Le menu de démarrage s'affiche à chaque fois que le groupe hydraulique est mis sous tension.

- L'écran de la commande à distance affiche "CHOIX FUSIBLE". La dernière alternative utilisée est préréglée. Choisissez une autre vitesse à l'aide des flèches. Appuyer sur OK pour confirmer le choix.

Avec un fusible 25 A, vous pouvez utiliser environ 70 % de la puissance max. de sortie. Avec un fusible 16 A, vous pouvez utiliser environ 50 % de la puissance max. de sortie. La fonction permet d'obtenir une puissance de sortie la plus élevée possible sans surcharger le fusible.

- L'écran de la commande à distance affiche "SÉLECTIONNER LA VITESSE". La dernière alternative utilisée est préréglée. Choisissez une autre vitesse à l'aide des flèches. Appuyer sur OK pour confirmer le choix.

La gamme de vitesses est de 600-900 tr/min en vitesse 1 et de 800-1200 tr/min en vitesse 2. Vérifiez que la boîte mécanique sur l'unité de sciage correspond avec la boîte réglée électriquement de la commande à distance.

- Apparaît alors "HUSQVARNA PP-480 HF APP. START".

Menu de fonctionnement

Tant que le groupe moteur est sous tension mais que la lame ne tourne pas, l'écran affiche "Husqvarna PP-480 HF APP. START".

Avant de commencer, toutes les commandes doivent être en position zéro. Dans le cas contraire, si vous appuyez sur le bouton de démarrage, un message apparaît à l'écran pour vous l'indiquer. "BAISSER MEASURE LONGUEUR" ou "BAISSER ALIM INTERIEURE" ou "BAISSER LAME".

Lorsque la rotation de la lame commence, l'écran affiche « X RPM, Y%, Z A ». X est alors le régime du moteur, Y le pourcentage de sortie de l'effet maximum et Z le fusible choisi.

On peut atteindre les paramètres suivants en navigant à l'aide des flèches :

- Eau de refroid
- Select language
- ID groupe moteur
- Mesure temps
- Temps mach total
- Sens de rotation
- Status batterie

Eau de refroid

Sélectionnez le mode AUTO ou ON. Si AUTO est sélectionné, le refroidissement à l'eau est activé lorsque la lame se met à tourner. Si ON est sélectionné, le robinet d'adduction d'eau est toujours ouvert. L'eau peut être coupée manuellement à l'aide du robinet d'eau. Le mode par défaut au démarrage est AUTO. Le mode sélectionné est indiqué à l'écran. Pour modifier le mode, appuyer sur OK.

Select language

Ce sous-menu permet de sélectionner la langue utilisée dans l'affichage.

Appuyer sur les touches fléchées jusqu'à affichage de la langue désirée. Confirmer avec « OK ».

ID groupe moteur

L'écran affiche le numéro d'identité du groupe moteur.

Mesure temps

Cette fonction s'utilise pour mesurer le temps nécessaire à un travail. Le temps est mesuré à partir du moment où la scie commence à travailler.

Sélectionner :

- MARCHE pour activer.
- ARRÊT pour arrêter.
- RAZ MESURE TEMPS, pour réinitialiser.

Utiliser les flèches et confirmer avec "OK".

Temps mach total

La durée totale de fonctionnement du groupe moteur est indiquée ici. La durée est affichée en heures et en minutes (hhhh:mm).

Sens de rotation

Ici, vous pouvez sélectionner le sens de rotation de la lame. Pour sélectionner les paramètres standard ou revenir en arrière, appuyer sur "OK".

Status batterie

Vous pouvez voir ici l'état de la batterie de la commande à distance pour les machines avec communication radio.

- « NO BATT. CONNECT » - La machine n'a pas de communication radio.
- « CHARGING BATTERY » - Le câble CAN est branché et la batterie est en charge.
- « 0% BATTERY 100% » - La barre montre l'état de la batterie.
- « BATTERY FULL » - La batterie est complètement chargée.

DÉMARRAGE ET ARRÊT

Avant de démarrer la machine



Avant de démarrer la scie, il convient de vérifier que :

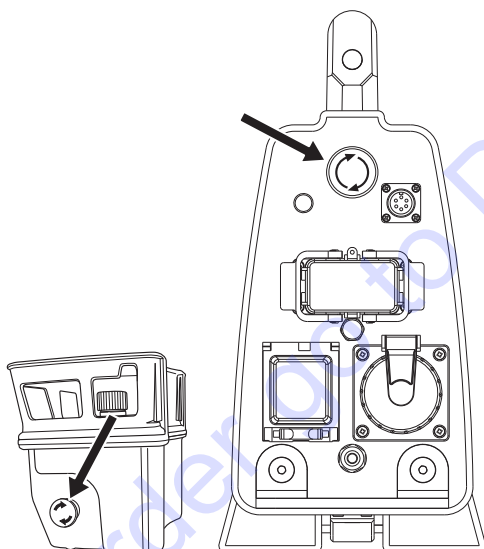
- le câble électrique d'entrée est protégé au moins par un fusible de 16 A.
- Le câble électrique est raccordé à l'unité de sciage.
- Toutes les commandes de la commande à distance sont réglées en position zéro. Dans le cas contraire, si vous appuyez sur le bouton de démarrage, un message apparaît à l'écran pour vous l'indiquer.
- Fermez la zone de sciage afin que les personnes non autorisées ne risquent pas d'être blessées ou de déranger l'opérateur.

IMPORTANT! Une vitesse plus élevée que celle recommandée risque de causer des blessures ou dommages.

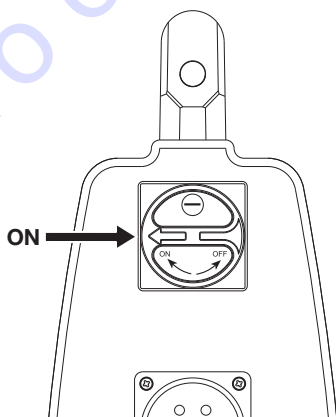
Démarrage



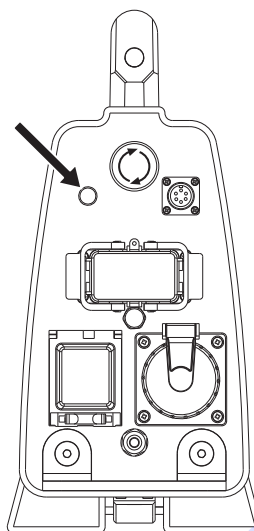
- Veiller à ne pas appuyer sur le bouton d'arrêt d'urgence du groupe moteur ni sur le bouton d'arrêt de la commande à distance en les tournant dans le sens des aiguilles d'une montre.



- Placer l'interrupteur principal sur la position "1".



- Le groupe moteur est activé et donc, l'indicateur est allumé



La valve d'eau du groupe moteur est maintenant fermée. Cette valve s'ouvre de nouveau quand la lame commence à tourner.

- L'écran de la commande à distance affiche "CHOIX FUSIBLE". La dernière alternative utilisée est pré-réglée. Choisissez une autre vitesse à l'aide des flèches. Appuyez sur OK pour confirmer le choix.

Avec un fusible 25 A, vous pouvez utiliser environ 70 % de la puissance max. de sortie. Avec un fusible 16 A, vous pouvez utiliser environ 50 % de la puissance max. de sortie. La fonction permet d'obtenir une puissance de sortie la plus élevée possible sans surcharger le fusible.

La puissance de sortie pour le fusible sélectionné est affichée en pourcentage à l'écran.

- L'écran de la commande à distance affiche "SÉLECTIONNER LA VITESSE". La dernière alternative utilisée est pré-réglée. Choisissez une autre vitesse à l'aide des flèches. Appuyez sur OK pour confirmer le choix.

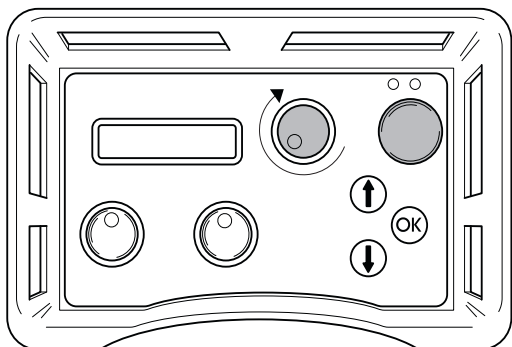
Vérifiez que la boîte mécanique sur l'unité de sciage correspond avec la boîte réglée électriquement de la commande à distance. La gamme de vitesses est de 600-900 tr/min en vitesse 1 et de 800-1200 tr/min en vitesse 2. Pour davantage d'informations sur les lames et vitesses recommandées, consultez la rubrique « Vitesses de lame recommandées » du chapitre « Caractéristiques techniques ».

- Apparaît alors "HUSQVARNA PP-480 HF APP. START".
- Le sens de rotation de la lame est réglable sur l'unité de sciage WS 480 HF.

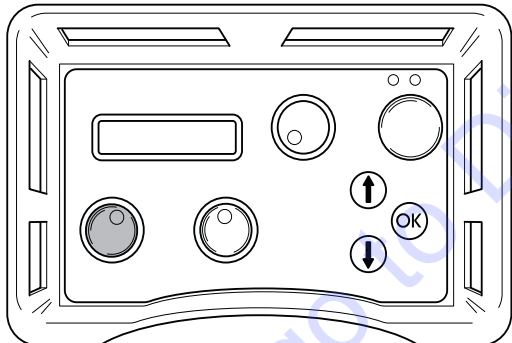
Pour sélectionner le sens, appuyez sur la flèche du haut du clavier tactile de la commande à distance. L'écran affiche "SENS LAME STANDARD" ou "SENS LAME CONTRAIRE". Pour modifier la sélection actuelle, appuyez sur "OK". Cela ne peut être fait que lorsque la lame est immobile.

DÉMARRAGE ET ARRÊT

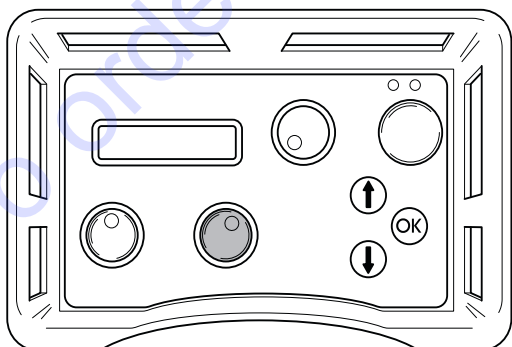
- Démarrer la rotation de la lame en appuyant pendant un certain temps sur le bouton de démarrage vert tout en tournant la commande du sens de rotation dans le sens des aiguilles d'une montre. La lame se met à tourner après trois secondes. Vous pouvez suivre le compte à rebours à l'écran. Le décalage permet au groupe moteur de refroidir ; il peut en effet devenir extrêmement chaud quand il est actif et quand il n'y a pas de circulation d'eau de refroidissement.



- Il n'y a pas de décalage si le mode sélectionné pour le refroidissement à l'eau est activé.
- Le refroidissement à l'eau s'enclenche automatiquement lorsque le bouton d'activation de la lame n'est pas sur sa position zéro. REMARQUE! Ne s'applique que si l'eau de refroidissement est en mode AUTO. Le débit d'eau est réglable à l'aide du robinet à bille placé au niveau du connecteur d'arrivée d'eau sur le groupe moteur.
- Démarrer l'alimentation d'entrée en tournant la manette correspondante sur la commande à distance dans le sens souhaité.



- Démarrer l'alimentation en longueur de l'unité de sciage en tournant la commande correspondante dans la direction souhaitée.

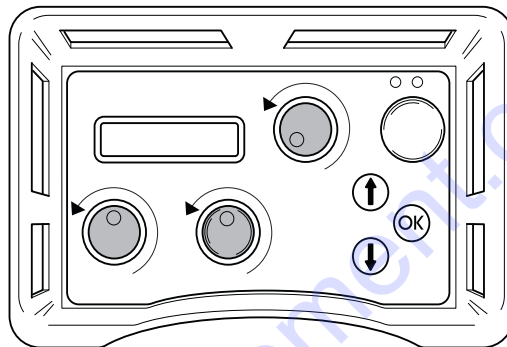


- Parcourir le manuel fourni avec la scie murale pour davantage d'instructions relatives aux techniques de sciage.

Arrêt



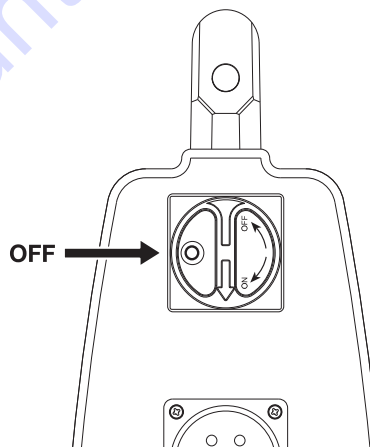
- Pour arrêter la rotation de la lame, tourner la commande correspondante dans le sens inverse des aiguilles d'une montre, jusqu'à la position zéro.



- L'eau de refroidissement se coupe automatiquement au bout de 3 sec. REMARQUE! Ne s'applique que si l'eau de refroidissement est en mode AUTO.

Il convient également de tourner les commandes de l'alimentation en longueur et de l'alimentation intérieure jusqu'à leur position zéro.

- Tournez l'interrupteur principal du groupe moteur jusqu'à la position "0".

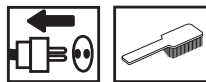


Après le travail

Démontage de l'équipement

- Débrancher le câble électrique d'entrée et le flexible d'arrivée d'eau.
- Débrancher le câble électrique et le flexible d'eau entre le groupe moteur et l'unité de sciage.
- S'il y a un risque de gel, la machine doit être vidangée de toute eau de refroidissement restante.

Nettoyage



Veiller à garder les connecteurs et les broches propres. Nettoyer à l'aide d'un chiffon ou d'une brosse.

Ne pas utiliser de nettoyeur haute pression pour le nettoyage du groupe moteur.

ENTRETIEN

Service



IMPORTANT! Toutes les réparations doivent être effectuées par des réparateurs agréés. Ceci permet d'éviter que les opérateurs ne soient exposés à des risques importants.

Après 100 heures d'utilisation apparaît à l'écran le message "Time for servicing" (entretien requis). Il convient alors de confier l'équipement complet à un revendeur Husqvarna agréé pour son entretien. Le message réapparaît 100 heures après la dernière opération de maintenance.

Messages d'erreur

En cas de dysfonctionnement, un message d'erreur s'affiche à l'écran. Suivre les instructions fournies ou contacter un revendeur agréé.

| Code d'erreur | Message d'erreur | Origine | Mesure |
|---------------|--|--|--|
| F01 | MOTOR OVERHEATED (SURCHAUFFE MOTEUR) | Fuite d'eau de refroidissement / quantité insuffisante pour le moteur de la scie. | Vérifier que l'eau de refroidissement arrive jusqu'au moteur de la scie, qu'elle soit de 25 °C max. et que le débit soit au moins de 3,5 l/min. |
| F02 | POWER OVERHEATED (SURCHAUFFE ALIMENTATION) | Fuite d'eau de refroidissement / quantité insuffisante pour le groupe moteur. | Vérifier que l'eau de refroidissement arrive jusqu'au groupe moteur, qu'elle est de 25 °C max. et que son débit est d'au moins 3,5 l/min. Si le message apparaît lorsque la lame se met à tourner, allez dans le menu des opérations puis "Refroidissement eau". Sélectionnez ensuite "ON". Laissez l'eau de refroidissement circuler dans le groupe moteur pendant une minute avant d'activer la lame de nouveau. |
| F03 | LOW VOLTAGE (TENSION FAIBLE) | Faible tension au niveau du groupe moteur. | Vérifier la tension au cours de l'utilisation. Vérifier que les trois phases se produisent. Vérifier que les câbles d'arrivée ont une zone transversale suffisante. |
| F04 | HIGH VOLTAGE (TENSION ELEVEE) | Tension élevée au niveau du groupe moteur. | Vérifier la tension au cours de l'utilisation. Ce message s'affiche principalement lorsque l'on utilise un générateur comme source électrique. |
| F05 | OVER CURRENT (SURINTENSITE) | Surintensité au niveau du moteur de la scie | Contrôler que le câble électrique est correctement branché et qu'il n'est pas endommagé. Le message peut apparaître en cas de contact lâche. |
| F06 | NO HALL SENS. TRAVEL MOTOR (PAS DE DÉTECTEUR HALL. MOTEUR D'ALIMENTATION) | Erreur au niveau de la carte du capteur HALL pour l'alimentation en longueur | Faire examiner l'appareil par un atelier de réparation agréé. |
| F07 | NO HALL SENS. DEPTH MOTOR (PAS DE DÉTECTEUR HALL. MOTEUR D'ALIMENTATION EN PROFONDEUR) | Erreur au niveau de la carte du capteur HALL pour l'alimentation intérieure. | Faire examiner l'appareil par un atelier de réparation agréé. |
| F08 | TRAVEL MOTOR OVERLOADED (MOTEUR D'ALIMENTATION SURCHARGÉ) | Moteur d'alimentation surchargé. | Pour réinitialiser, inverser la fonction d'alimentation. Si le message d'erreur réapparaît, lubrifier l'embrayage du dispositif d'alimentation, nettoyer les rails et régler le chariot de scie. Si le problème persiste, apporter la machine à un atelier d'entretien agréé par Husqvarna. |
| F09 | DEPTH MOTOR OVERLOADED (MOTEUR D'ALIMENTATION EN PROFONDEUR SURCHARGÉ) | Moteur d'alimentation en profondeur surchargé. | Pour réinitialiser, inverser la fonction d'alimentation. Si le message d'erreur réapparaît, lubrifier l'embrayage du dispositif d'alimentation. Si le problème persiste, apporter la machine à un atelier d'entretien agréé par Husqvarna. |
| F10 | BLADE JAM (LAME BLOQUÉE) | La lame ne tourne pas. | Retirer la lame du dispositif de découpe et lancer la rotation de la lame. |
| F11 | GROUND FAULT OR NO SAW HEAD (DÉFAUT DE MISE À LA TERRE OU PAS DE TÊTE DE SCIE) | Mauvais conducteur de terre du bloc d'alimentation/de la scie ou pas d'unité de sciage connectée au bloc d'alimentation. | Vérifier le branchement électrique d'arrivée au bloc d'alimentation et s'assurer que l'unité de sciage est reliée au bloc d'alimentation. Si le problème persiste, apporter la machine à un atelier d'entretien agréé par Husqvarna. |
| F12 | NON-COMPATIBLE SAW UNIT (UNITÉ DE SCIAGE NON COMPATIBLE) | Mauvaise unité de sciage branchée au bloc d'alimentation. | Brancher une unité de sciage compatible au bloc d'alimentation. |
| F13 | NO CONTACT CHECK CAN-CABLE (PAS DE CONTACT VERIF. CABLE CAN) | Aucun contact entre le groupe moteur et la commande à distance. | Remplacer le câble bus Can. |
| F14 | NO RADIO CONTACT (PAS DE CONTACT RADIO) | Pas de contact radio entre la commande à distance et l'unité électrique. | Vérifier que le bloc d'alimentation est activé et que l'indicateur vert est allumé. Si le problème persiste, apporter la machine à un atelier d'entretien Husqvarna. La machine peut être utilisée avec le câble bus CAN entre le bloc d'alimentation et la commande à distance. |

Entretien quotidien



Contrôler régulièrement :

- La présence de bruits anormaux.
- Veiller à garder les connecteurs et les broches propres.
Nettoyer à l'aide d'un chiffon ou d'une brosse.
- Ne pas utiliser de nettoyeur haute pression pour le nettoyage du groupe moteur.

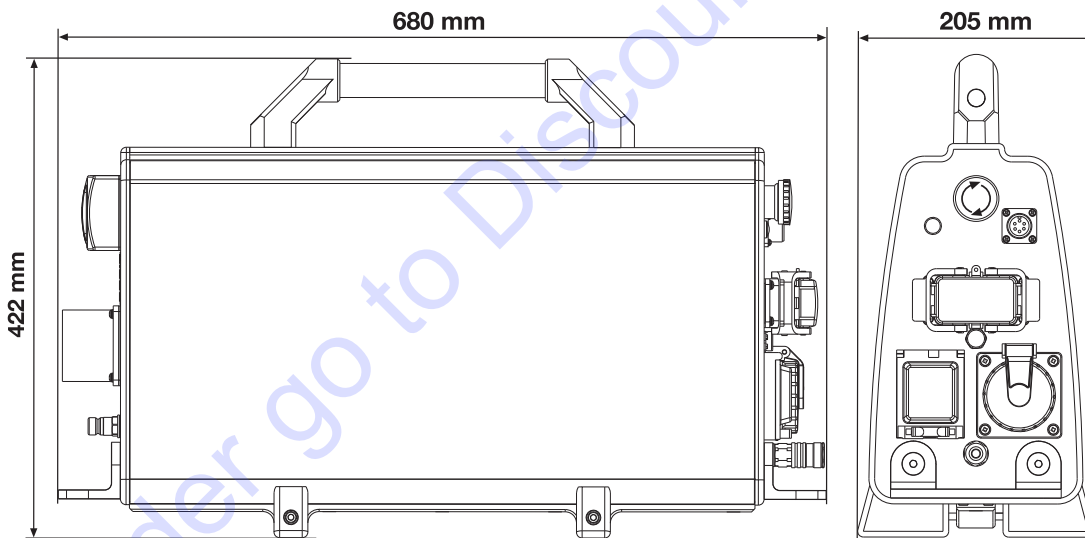
To order go to Discount-Equipment.com

CARACTÉRISTIQUES TECHNIQUES

PP 480 HF

| | |
|---|---------------------------------|
| Puissance de sortie max., kW | 20 (32 A) |
| Courant nominal, A | 16-32 |
| Tension d'entrée, V | 380-480 V, 50-60 Hz |
| Tension de sortie, V | 340 V, 0-500 Hz |
| Tension de sortie sec., V | 24 V, 0-1500 Hz |
| Ligação eléctrica | 3P+PE (4-pin) / 3P+N+PE (5-pin) |
| Sortie monophasée 1x230V | Uniquement machines 5 broches |
| Générateur à effet - min., kWA | |
| 400V, 16A | 12 |
| 400V, 25A | 20 |
| 400V, 32A | 24 |
| Poids, kg/lbs | 23/51 |
| Pression max. de l'eau de refroidissement, bar | 7 |
| Débit minimal de l'eau de refroidissement, l/min | 3,5 |
| Température max. de l'eau de refroidissement à 3,5 l/min., °C | 25 |

Dimensions



CARACTÉRISTIQUES TECHNIQUES

Lame

Vitesse lame recommandée



AVERTISSEMENT! Couper à un régime trop élevé peut endommager la lame et engendrer des blessures individuelles.

| Vitesse, tr/min. | |
|------------------|----------|
| Engrenage 1 | 600-900 |
| Engrenage 2 | 800-1200 |

Lors de sciage à 800-900 tr/min, la vitesse 1 entraîne une sortie de produit plus importante.

Lors du choix de la lame, suivre les recommandations du fabricant en ce qui concerne le matériau et la vitesse. Lors d'une découpe sur du béton dur, la vitesse doit être plus lente et l'entaille plus superficielle que lors d'une découpe sur du béton moins dense.

| | 600 mm (24") | 800 mm (32") | 1000 mm (40") | 1200 mm (48") | 1600 mm (63") |
|-------------|--------------|--------------|---------------|---------------|---------------|
| 600 tr/min | | | | | |
| 700 tr/min | | | | | |
| 800 tr/min | | | | | |
| 900 tr/min | | | | | |
| 1000 tr/min | | | | | |
| 1100 tr/min | | | | | |
| 1200 tr/min | | | | | |

| Béton | |
|-------|-------|
| | Dur |
| | Moyen |
| | Doux |

ACLARACION DE LOS SIMBOLOS

Símbolos en la máquina:

¡ATENCIÓN! La máquina, si se utiliza de forma errónea o descuidada, puede ser una herramienta peligrosa que puede causar daños graves e incluso la muerte al usuario y a otras personas.



Lea detenidamente el manual de instrucciones y asegúrese de entender su contenido antes de utilizar la máquina.



Utilice siempre:

- Casco protector homologado
- Protectores auriculares homologados
- Gafas protectoras o visor
- Máscara respiratoria



Este producto cumple con la directiva CE vigente.



¡ATENCIÓN! Corriente intensa.



Etiquetado ecológico. El símbolo en el producto o en su envase indica que no se puede tratar este producto como desperdicio doméstico. Deberá por lo tanto depositarse en un centro de recogida adecuado para el reciclado de equipos eléctricos y electrónicos.

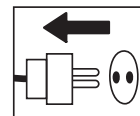


Haciendo que este producto sea manipulado adecuadamente, se ayuda a evitar consecuencias negativas potenciales para el medio ambiente y las personas, lo que puede ocurrir con la manipulación inadecuada como residuos del producto.

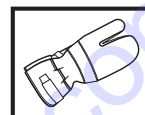
Para obtener información más detallada sobre el reciclado de este producto, contacte con la oficina municipal local, con el servicio de eliminación de desperdicios domésticos o con la tienda donde compró el producto.

Símbolos en el manual de instrucciones:

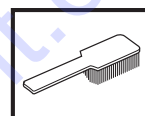
El control y/o mantenimiento de la máquina debe hacerse con el motor parado y el enchufe desenchufado.



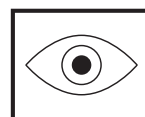
Utilice siempre guantes protectores homologados.



La máquina debe limpiarse regularmente.



Control visual.



Debe utilizarse gafas protectoras o visor.



INDICE

Índice

ACLARACION DE LOS SIMBOLOS

Símbolos en la máquina: 34

Símbolos en el manual de instrucciones: 34

INDICE

Índice 35

¿QUE ES QUE?

Piezas de la unidad eléctrica 36

INSTRUCCIONES DE SEGURIDAD

Antes de utilizar una nueva unidad eléctrica 37

Equipo de protección personal 37

Equipo de seguridad de la máquina 38

Instrucciones generales de seguridad 39

Instrucciones generales de trabajo 40

PRESENTACIÓN

PP 480 HF 41

MONTAJE

Montaje / instalación del equipo 42

REGLAJES Y AJUSTES

Menú de arranque 43

Menú de funcionamiento 43

ARRANQUE Y PARADA

Antes de arrancar 44

Arranque 44

Parada 45

Después de terminar el trabajo 45

MANTENIMIENTO

Servicio 46

Mantenimiento diario 47

DATOS TECNICOS

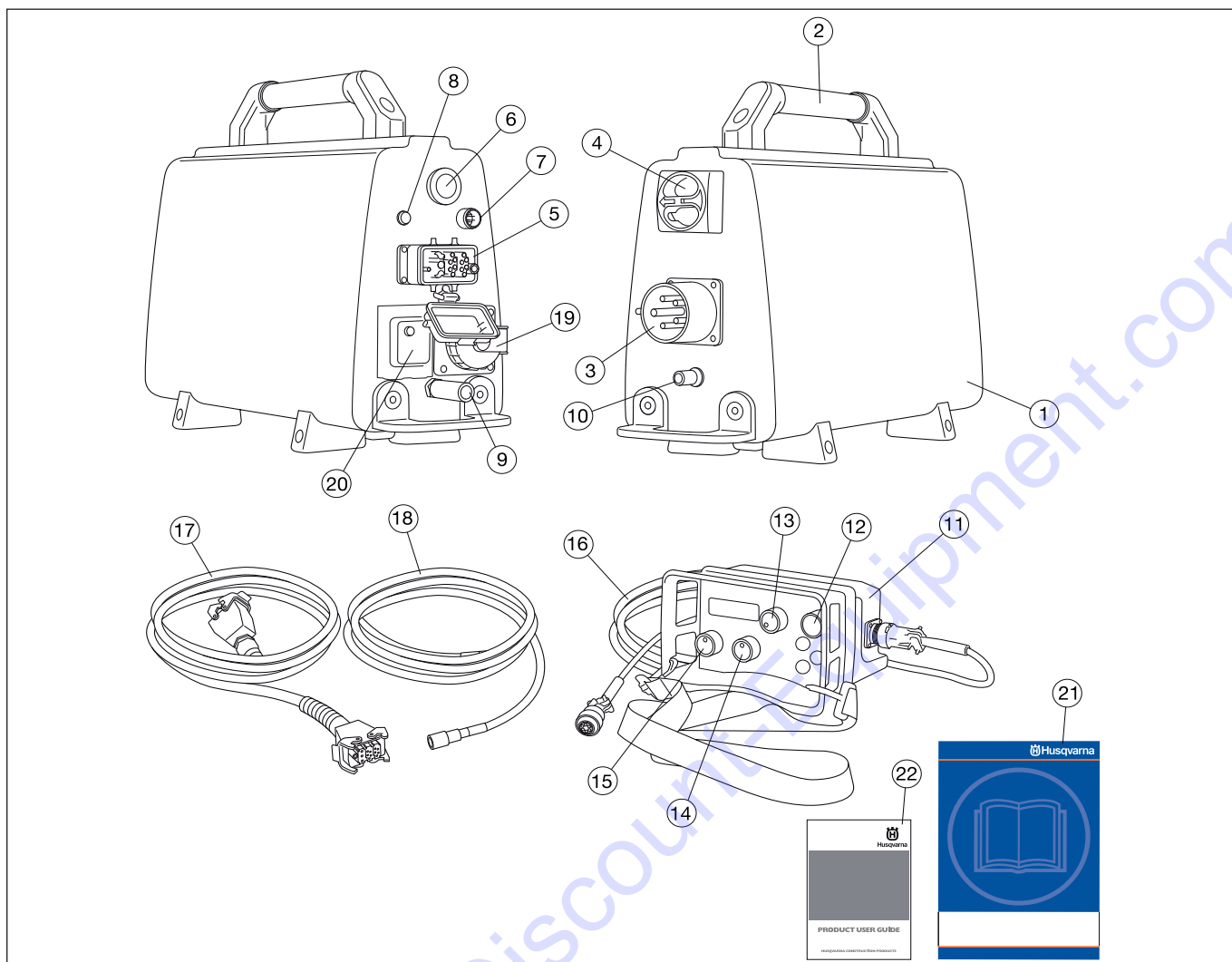
PP 480 HF 48

DECLARACIÓN DE GARANTÍA PARA EE. UU.

POLÍTICA DE GARANTÍA 50

EQUIPO 50

¿QUE ES QUE?



Piezas de la unidad eléctrica

- | | | | |
|----|-----------------------------|----|--|
| 1 | Unidad eléctrica | 12 | Botón de arranque |
| 2 | Mango | 13 | Rotación de la hoja y activación del agua refrigerante |
| 3 | Toma eléctrica | 14 | Avance longitudinal |
| 4 | Interruptor principal | 15 | Avance de entrada |
| 5 | Conexión del cable | 16 | Cable CAN-BUS |
| 6 | Parada de emergencia | 17 | Conductor de alimentación |
| 7 | Puerto CAN-BUS | 18 | Manguera de agua |
| 8 | Indicador de corriente | 19 | Toma monofásica (solo para dispositivos con 5 pines) |
| 9 | Conexión de salida de agua | 20 | Interruptor de circuito de pérdida a tierra (solo para dispositivos con 5 pines) |
| 10 | Conexión de entrada de agua | 21 | Manual de instrucciones |
| 11 | Mando a distancia | 22 | DVD - Guía del usuario del producto |

INSTRUCCIONES DE SEGURIDAD

Antes de utilizar una nueva unidad eléctrica

- Lea detenidamente el manual de instrucciones y asegúrese de entender su contenido antes de utilizar la máquina.
- Consulte el DVD suministrado para obtener consejos sobre técnicas de funcionamiento.
- Esta máquina sólo está destinada a ser utilizada junto con Husqvarna WS 482 HF. Está prohibida cualquier otra aplicación.
- Lea el manual de instrucciones suministrado con la sierra de pared antes de utilizar la unidad hidráulica.
- La máquina puede ocasionar lesiones graves. Lea atentamente las instrucciones de seguridad. Aprenda a utilizar la máquina.

Emplee siempre el sentido común

Es imposible abarcar todas las situaciones imaginables que se pueden producir al utilizar una taladradora. Proceder siempre con cuidado y emplear el sentido común. El usuario debe evitar usar la máquina en aplicaciones para las que no se considere suficientemente calificado. Si después de leer estas instrucciones todavía hay inseguridad en cuanto al procedimiento de uso, consultar con un experto antes de proseguir.

No dude en ponerse en contacto con su distribuidor si tiene preguntas acerca del uso de la máquina. Estaremos encantados de poder aconsejarle y ayudarle a utilizar la máquina de manera eficaz y segura.

Encargue al distribuidor de Husqvarna la revisión regular de la cortadora y los ajustes y reparaciones necesarios.

Toda la información y todos los datos contenidos en este manual de instrucciones son vigentes en la fecha de impresión del manual.



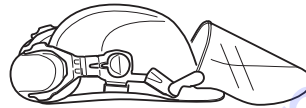
¡ATENCIÓN! No está permitido modificar el diseño original de la máquina, por ningún motivo, sin la autorización del fabricante. Utilice siempre accesorios originales. Las modificaciones y/o el uso de accesorios no autorizados comportan riesgo de daños personales graves y peligro de muerte para el usuario y otras personas.

Equipo de protección personal

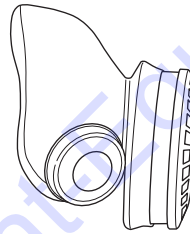


¡ATENCIÓN! Para trabajar con la máquina debe utilizarse un equipo de protección personal homologado. El equipo de protección personal no elimina el riesgo de lesiones, pero reduce su efecto en caso de accidente. Pida a su distribuidor que le asesore en la elección del equipo.

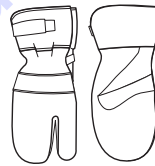
- Casco protector
- Protectores auriculares
- Gafas protectoras o visor



- Máscara respiratoria



- Guantes resistentes de agarre seguro.



- Prendas de vestir ceñidas, resistentes y cómodas que permitan una libertad de movimientos total.



- Botas con puntera de acero y suela antideslizante.



- Tenga siempre a mano el equipo de primeros auxilios.



INSTRUCCIONES DE SEGURIDAD

Equipo de seguridad de la máquina



En este capítulo se describen los componentes de seguridad de la máquina, su función y el modo de efectuar el control y el mantenimiento para garantizar un funcionamiento óptimo. En cuanto a la ubicación de estos componentes en su máquina, vea el capítulo ¿Qué es qué?.

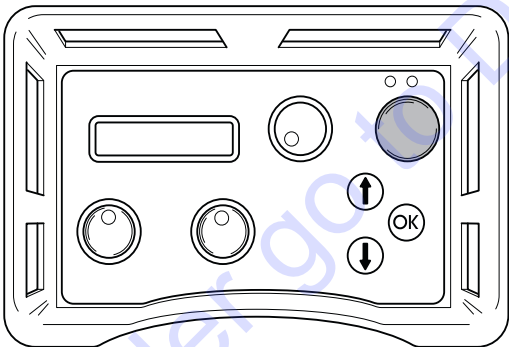


¡ATENCIÓN! Nunca utilice una máquina que tenga un equipo de seguridad defectuoso. Efectúe el control y mantenimiento del equipo de seguridad de la máquina como se describió en este capítulo. Si su máquina no pasa todos los controles, entréguela a un taller de servicio para su reparación.

¡IMPORTANTE! Todos los trabajos de servicio y reparación de la máquina requieren una formación especial. Esto es especialmente importante para el equipo de seguridad de la máquina. Si la máquina no pasa alguno de los controles indicados a continuación, acuda a su taller de servicio local. La compra de alguno de nuestros productos le garantiza que puede recibir un mantenimiento y servicio profesional. Si no ha adquirido la máquina en una de nuestras tiendas especializadas con servicio, solicite información sobre el taller de servicio más cercano.

Botón de arranque

Mantenga pulsado el botón de arranque para que la hoja empiece a girar. Así evitará que la hoja gire por accidente.

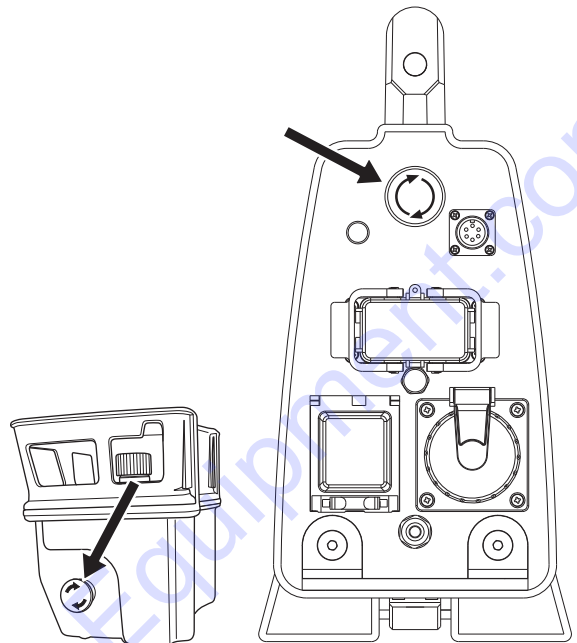


Control del botón de arranque

- Gire el pulsador para activar la rotación de la hoja sin mantener pulsado el botón de arranque.
La rotación de la hoja no debería accionarse.
- Mantenga pulsado el botón de arranque y gire el pulsador para que la hoja rote.
La rotación de la hoja se pondrá en marcha.

Parada de emergencia y botón de parada

La unidad eléctrica dispone de parada de emergencia y el control remoto tiene un botón de parada. Se utilizan para parar rápidamente la unidad eléctrica.

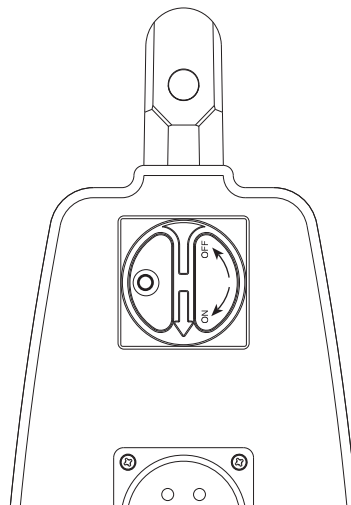


Verifique la parada de emergencia y el botón de parada

- Ponga en marcha la rotación del disco.
- Pulse la parada de emergencia de la unidad eléctrica y compruebe que la rotación de la hoja se detiene. Compruebe de igual modo el botón de parada situado en el control remoto.

Interruptor principal

El interruptor principal se utiliza para conectar y desconectar la unidad del suministro eléctrico. El interruptor principal debe estar en la posición «0» al conectar el cable de entrada.



Control del interruptor principal

- Seleccione la posición «0» del interruptor principal.
- Intente poner en marcha la sierra.
La sierra no debe accionarse.

INSTRUCCIONES DE SEGURIDAD

Instrucciones generales de seguridad



¡ATENCIÓN! No utilice la máquina sin haber leído y comprendido el contenido de este manual de instrucciones.

Existe siempre riesgo de sacudidas eléctricas al usar máquinas eléctricas. No usar la máquina en condiciones climáticas desfavorables y evitar el contacto del cuerpo con pararrayos y objetos metálicos. Seguir siempre las instrucciones del manual para evitar daños.

- Nunca utilice la máquina si está cansado, si ha ingerido alcohol o si toma medicamentos que puedan afectarle la vista, su capacidad de discernimiento o el control del cuerpo.
- Utilice el equipo de protección personal. Vea las instrucciones bajo el título "Equipo de protección personal".
- No lleve nunca la máquina agarrando el cable y no tire del cable para desenchufarla.
- Mantenga todos los cables apartados del agua, el aceite y los bordes agudos. Proceda con cuidado para evitar que el cable se enganche en puertas, vallas o similares. Hay riesgo de cargar objetos con electricidad.
- Compruebe que los cables están intactos y en buen estado. Si se daña un cable, no utilice la máquina. Llévela a reparar a un taller de servicio oficial.
- Un cable de alargue no debe usarse enrollado porque hay riesgo de sobrecalentamiento.
- La máquina se debe enchufar a un enchufe con masa.
- Conecte siempre la máquina mediante un interruptor de fuga a tierra con protección personal, como un disyuntor de fuga a tierra que se active a 30 mA.
- Compruebe que la tensión de red concuerda con la que se indica en la placa de características de la máquina.
- Mantener todas las piezas en perfecto estado y comprobar que todos los elementos de fijación estén bien apretados.
- No utilice nunca una máquina defectuosa. Siga las instrucciones de mantenimiento, control y servicio de este manual. Algunas medidas de mantenimiento y servicio deben ser efectuadas por especialistas formados y cualificados. Vea las instrucciones bajo el título Mantenimiento.
- No modificar nunca los dispositivos de seguridad. Comprobar regularmente que funcionan como es debido. La máquina no se debe operar con dispositivos de seguridad defectuosos o ausentes.
- Nunca deje que terceros utilicen la máquina sin asegurarse primero de que hayan entendido el contenido de este manual de instrucciones.
- Las personas y los animales pueden distraer y hacer perder el control de la máquina. Por consiguiente, el operador debe estar siempre concentrado en su trabajo.
- Tener en cuenta que las ropas, el pelo largo y las joyas pueden atascarse en piezas móviles.
- Proceda con cuidado en las elevaciones. Las piezas son pesadas, por lo que hay riesgo de daños por apriete y daños personales de otro tipo.

Transporte y almacenamiento

- Desconecte siempre la unidad eléctrica y el cable eléctrico antes de mover el equipo.
- Almacene la cortadora en lugar seguro fuera del alcance de los niños y personas no calificadas para su uso.
- Guarde la máquina y el equipo en un lugar seco y protegido de la escarcha. Si existe riesgo de congelación, drene el agua refrigeradora restante del dispositivo.
- Utilice las cajas suministradas para guardar el equipo.
- No exponga la máquina a temperaturas que excedan los 45 °C ni a la luz directa del sol.

INSTRUCCIONES DE SEGURIDAD

Instrucciones generales de trabajo

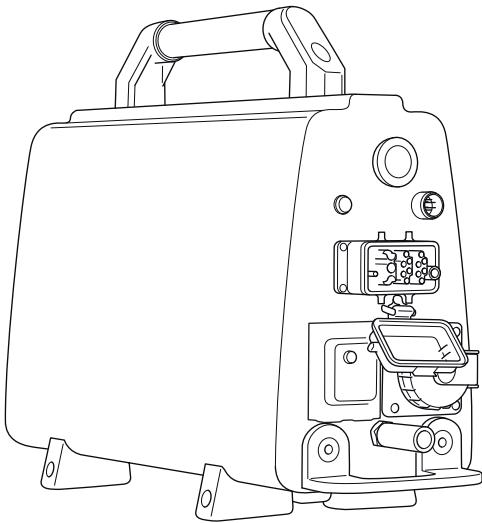


¡ATENCIÓN! Este apartado trata las normas de seguridad básicas para trabajar con el dispositivo. Esta información no sustituye en ningún caso los conocimientos y la experiencia de un profesional. Si se encuentra en alguna situación que le haga sentirse inseguro, deténgase y consulte con un experto. Consulte a su distribuidor, al taller de servicio técnico o a un usuario experimentado. No emplee la máquina en aplicaciones para las que no se considere plenamente cualificado.

- Todos los operadores deben ser formados en el empleo de la máquina. El propietario es responsable de la formación de los operadores.
 - Compruebe que todas las juntas, conexiones y cables están intactos y limpios.
 - Compruebe que todos los cables y el suministro de agua están correctamente conectados a la máquina antes de arrancarla.
 - Nunca desconecte el cable sin desconectar antes la unidad eléctrica y esperar a que la máquina se detenga por completo.
 - En caso de emergencia, pulse el botón rojo de parada de emergencia de la unidad o el botón de parada del control remoto.
 - Averigüe y marque siempre la ubicación del trazado de las tuberías de gas. El corte cerca de las tuberías de gas siempre es peligroso. Procure que no se generen chispas al cortar, debido al riesgo de explosión. Trabaje concentrado en su tarea. La negligencia comporta riesgo de daños personales graves y peligro de muerte.
 - Use la máquina exclusivamente en lugares con buena ventilación. Los descuidos pueden ocasionar daños graves o mortales.
 - Compruebe que los cables eléctricos que haya en el área de trabajo no tengan tensión.
 - Mantenga bajo vigilancia la máquina siempre que el motor esté en marcha.
 - No haga nunca trabajos de corte de forma tal que no pueda acceder fácilmente a la parada de emergencia.
 - Al trabajar con las máquinas, procure siempre que haya alguien cerca, que pueda prestar ayuda en caso de accidente.
 - No usar en condiciones climáticas desfavorables. Por ejemplo, niebla densa, lluvia, viento fuerte, frío intenso, etc. Trabajar con mal tiempo es cansador y puede crear condiciones peligrosas, por ejemplo suelo resbaladizo.
 - Controle que la zona de trabajo esté bien iluminada para lograr un entorno seguro.
 - Cerciórese siempre de tener una posición de trabajo segura y firme.
 - Proceda con cuidado en las elevaciones. Las piezas son pesadas, por lo que hay riesgo de daños por apriete y daños personales de otro tipo.
- No exponga la máquina a temperaturas que excedan los 45 °C ni a la luz directa del sol.
 - No emplee la máquina en un entorno mojado o húmedo, cerca de agua, en la lluvia o en la nieve.
 - No lave la máquina con agua, ya que puede penetrar en el sistema eléctrico o en el motor y causar daños en la máquina o un cortocircuito.

PRESENTACIÓN

PP 480 HF



Esperamos que su máquina le proporcione plena satisfacción y le sirva de ayuda por mucho tiempo en adelante. Tenga en cuenta que este manual de instrucciones es un documento de valor. Siguiendo sus instrucciones (de uso, servicio, mantenimiento, etcétera) puede alargar considerablemente la vida útil de la máquina e incrementar su valor de reventa. Si vende su máquina, entregue el manual de instrucciones al nuevo propietario.

La adquisición de alguno de nuestros productos da acceso a asistencia profesional con reparaciones y servicio. Si la máquina no fue adquirida en un distribuidor oficial, preguntar en la tienda de compra la dirección del taller de servicio más cercano.

Husqvarna Construction Products se esfuerza constantemente por mejorar la construcción de sus productos. Por consiguiente, Husqvarna se reserva el derecho a introducir modificaciones de diseño sin previo aviso y sin compromisos ulteriores.

Generalidades

- La PP 480 HF es una unidad desarrollada específicamente para la sierra de pared WS 482 HF.
- Tiene un diseño compacto y solo pesa 23 kg (51 lb).
- A pleno funcionamiento, utiliza 32 A en sistemas de 400 V.
- La unidad de alimentación está conectada a la sierra únicamente mediante un conductor de alimentación y una manguera refrigeradora de agua.
- Incorpora una salida de potencia de 230 V y un terminal para un cable CAN-BUS.
- Incluye una electroválvula hidráulica que se acciona mediante el control remoto.
- A través del control remoto, el operario recibe información acerca de la potencia de salida y puede medir el tiempo y otros datos del proceso de serrado.

PP 480 HF se entrega con estos equipos:

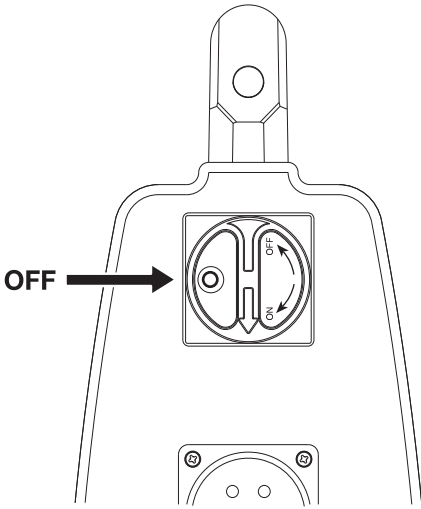
- 1 unidad eléctrica
- 1 mando a distancia
- 1 conductor de alimentación
- 1 cable de bus CAN
- 1 Manguera de agua
- Cajas para un transporte más cómodo
- DVD - Guía del usuario del producto

MONTAJE

Montaje / instalación del equipo

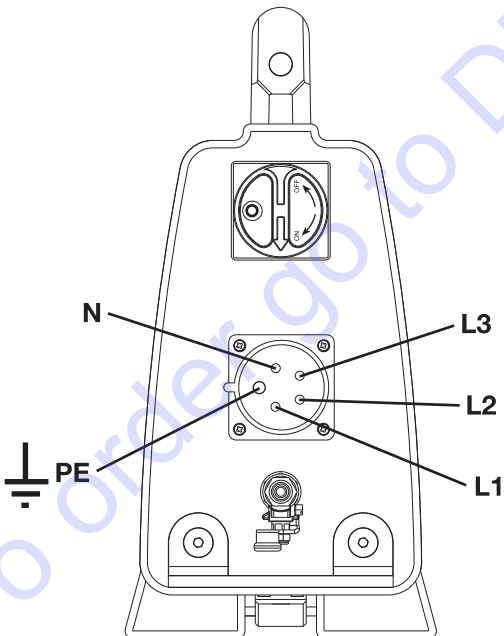
Después de ser transportada a un lugar adecuado, la máquina debe conectarse:

- Seleccione la posición «0» del interruptor principal.



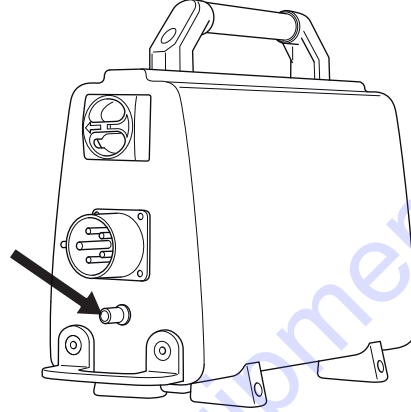
- Conectar el cable eléctrico entrante (380-480 V, 32-63 A, enchufe europeo). Las unidades de alimentación con toma monofásica (230 V) deben tener también un cable neutro para que la toma funcione. La unidad de alimentación funciona incluso sin el cable neutro.

Para utilizar toda la potencia de salida, debe conectar la unidad a un fusible de 32 A. Con un fusible de 16 A o de 25 A, la potencia de salida es inferior para no sobrecargar el fusible. Puede seleccionarlo al poner en marcha la unidad.

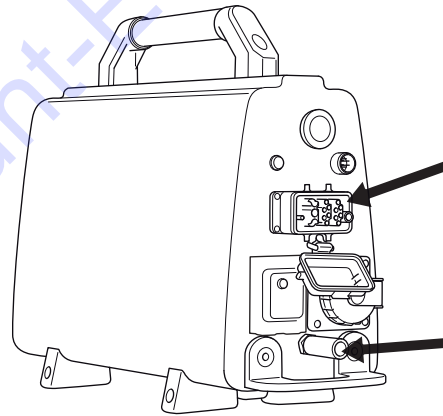


- Conecte la manguera de agua a la conexión de entrada de agua.

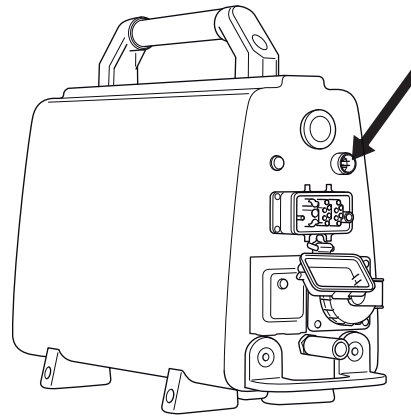
La unidad incorpora una electroválvula hidráulica, que permanece cerrada mientras el bloque de alimentación está activado. Cuando el bloque no recibe corriente, la válvula se abre para drenar el agua refrigeradora si hay riesgo de congelación.



- Conecte el conductor de alimentación y la manguera de agua suministrados de la unidad eléctrica a la unidad de serrado.



- Conectar el mando a distancia con el cable de bus CAN incluido en la entrega. Fijar el contacto de cable enroscándolo a mano.



REGLAJES Y AJUSTES

Menú de arranque

El menú de arranque se presenta cada vez que se conecta la corriente del equipo hidráulico.

- En el control remoto aparecerá el mensaje «ELEGIR FUSIBLE». Quedará preseleccionada la última opción utilizada. Elija otro engranaje mediante las teclas de desplazamiento. Pulsar 'OK' para confirmar la elección.

Con un fusible de 25 A puede utilizar aproximadamente un 70 % de la potencia total. Con 16 A puede utilizar aproximadamente un 50 % de la potencia total. Con esta función se pretende obtener tanta potencia como sea posible sin sobrecargar el fusible.

- En el control remoto aparecerá el mensaje «SELECCIONE ENGRANAJE». Quedará preseleccionada la última opción utilizada. Elija otro engranaje mediante las teclas de desplazamiento. Pulsar 'OK' para confirmar la elección.

En el engranaje 1, el intervalo de velocidad es de 600-900 r/min y en el engranaje 2, de 800-1200 r/min. Compruebe que el engranaje mecánico de la unidad de serrado se corresponde con el engranaje eléctrico del control remoto.

- Aparecerá el mensaje «HUSQVARNA PP-480 HF PULSAR ARRANQUE».

Menú de funcionamiento

Mientras entre tensión a la unidad eléctrica y la hoja no rote, se visualizará el mensaje «Husqvarna PP-480 HF PULSAR ARRANQUE».

Antes de arrancar, todos los controles deben estar en la posición «0». Si no lo están, aparecerá un mensaje en la pantalla al pulsar el botón de arranque. «DESCONECTAR AVANCE», «DESCONECTAR ENTRADA» o «DESCONECTAR HOJA».

Cuando se pone en marcha la rotación del disco, la pantalla muestra «X RPM, Y%, Z A», en que X es el régimen del motor, Y es el porcentaje de salida del efecto máximo y Z es el fusible seleccionado.

Puede acceder a los siguientes ajustes con las flechas de dirección:

- Agua refrigerante
- Select language
- ID de la unidad eléctrica
- Cronometraje
- Tiempo total de máquina
- Dirección de la rotación
- Estado de la batería

Agua refrigerante

Seleccione el modo «AUTO» u «ON». Si selecciona «AUTO», se activará la refrigeración por agua cuando la hoja empiece a rotar. Si selecciona «ON», la válvula de agua estará siempre abierta. El agua puede cerrarse manualmente con el grifo de agua. Al iniciar, el modo seleccionado por defecto será «AUTO». El modo seleccionado aparece en pantalla. Cambie el modo pulsando «OK».

Select language

Con este submenú se puede elegir el idioma que se desea usar en el display.

Desplazarse con las teclas de flecha hasta que se muestre el idioma deseado. Confirmar con 'OK'.

ID de la unidad eléctrica

En la pantalla aparecerá el número de identificación de la unidad eléctrica.

Cronometraje

Esta función se usa para medir el tiempo de un trabajo. El cronometraje se inicia cuando la sierra empieza a trabajar.

Seleccionar:

- ACT para activar.
- DES para desactivar.
- PUESTA A CERO CRONOMETRAJE para la puesta a cero.

Desplácese con las flechas de dirección y confirme con «OK».

Tiempo total de máquina

Aquí se muestra el tiempo total de funcionamiento de la unidad. Se indica en horas y minutos (hhhh:mm).

Dirección de la rotación

Aquí puede seleccionar el sentido de rotación de la hoja. Seleccione estándar o hacia atrás pulsando «OK».

Estado de la batería

Aquí puede ver el estado de la batería del control remoto para máquinas que dispongan de comunicación por radio.

- «NO BATT. CONNECT» (ninguna batería conectada): la máquina no dispone de comunicación por radio.
- «CHARGING BATTERY» (cargando batería): el cable CAN está conectado y la batería se está cargando.
- «0% BATTERY 100%» (0 % batería 100 %): la barra muestra el estado de la batería.
- «BATTERY FULL» (batería cargada): la batería está cargada completamente.

ARRANQUE Y PARADA

Antes de arrancar



Antes de poner en marcha la sierra, compruebe si:

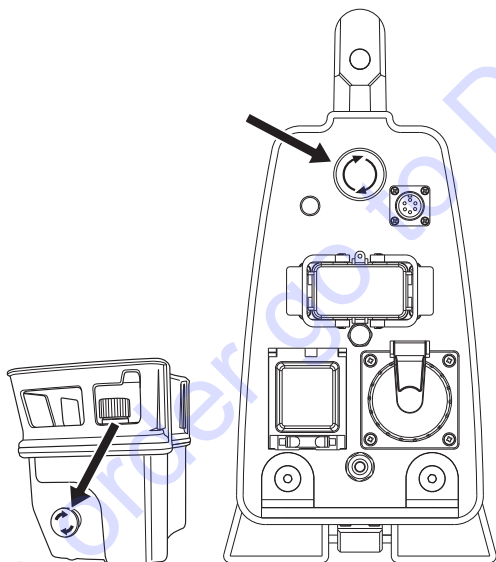
- El cable eléctrico entrante esté conectado a como mínimo un fusible de 16 A.
- El conductor de alimentación está conectado a la unidad de serrado.
- Todos los controles del control remoto está en la posición «0». Si no lo están, aparecerá un mensaje en la pantalla al pulsar el botón de arranque.
- Cerque el área en que va a cortar para impedir la entrada de personas ajenas al trabajo y evitar el riesgo de que sufran daños y que le estorben en el trabajo.

¡IMPORTANTE! Una velocidad más alta que la recomendada comporta riesgo de daños personales y del equipo.

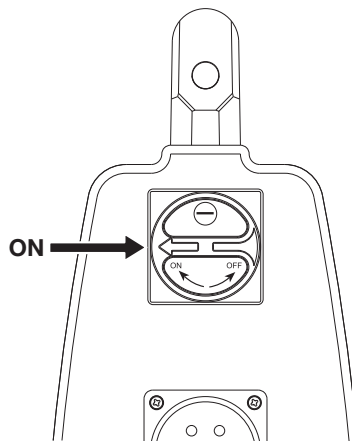
Arranque



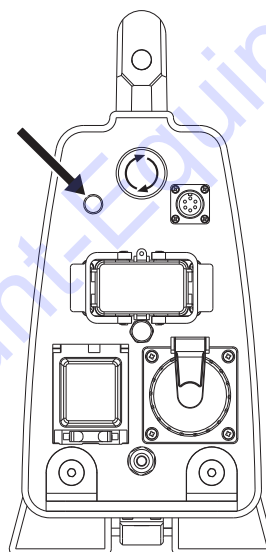
- Compruebe que ni el botón de parada de emergencia de la unidad eléctrica ni el botón de parada del control remoto están pulsados girándolos en el sentido de las agujas del reloj.



- Coloque el interruptor principal en la posición «1».



- Se activará la unidad, por lo que la luz de indicación parpadeará.



En consecuencia, la válvula hidráulica de la unidad eléctrica estará cerrada. Se abrirá de nuevo cuando se active la rotación de la hoja.

- En el control remoto aparecerá el mensaje «ELEGIR FUSIBLE». Quedará preseleccionada la última opción utilizada. Elija otro engranaje mediante las teclas de desplazamiento. Pulsar 'OK' para confirmar la elección.

Con un fusible de 25 A puede utilizar aproximadamente un 70 % de la potencia total. Con 16 A puede utilizar aproximadamente un 50 % de la potencia total. Con esta función se pretende obtener tanta potencia como sea posible sin sobrecargar el fusible.

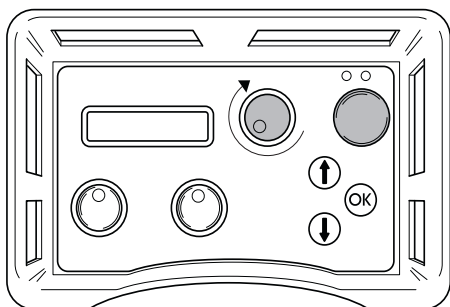
El porcentaje de la potencia de salida para el fusible elegido aparece en pantalla.

- En el control remoto aparecerá el mensaje «SELECCIONE ENGRANAJE». Quedará preseleccionada la última opción utilizada. Elija otro engranaje mediante las teclas de desplazamiento. Pulsar 'OK' para confirmar la elección.

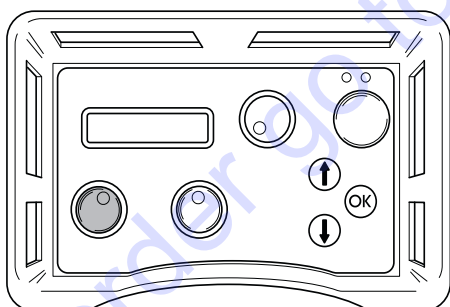
Compruebe que el engranaje mecánico de la unidad de serrado se corresponde con el engranaje eléctrico del control remoto. En el engranaje 1, el intervalo de velocidad es de 600-900 r/min y en el engranaje 2, de 800-1200 r/min. Encontrará más información sobre los discos y la velocidad recomendados en el apartado «Velocidad de disco recomendada» del capítulo «Datos técnicos».

ARRANQUE Y PARADA

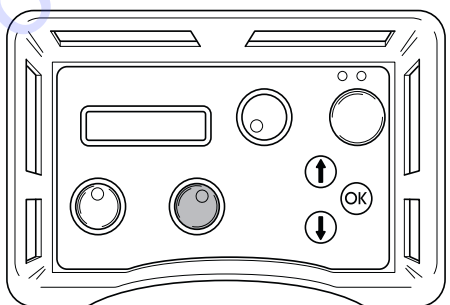
- Aparecerá el mensaje «HUSQVARNA PP-480 HF PULSAR ARRANQUE».
- Puede ajustar el sentido de rotación de la hoja de la unidad WS 480 HF.
Pulse la flecha para subir del teclado del control remoto para seleccionar el sentido. En la pantalla aparecerá el mensaje «ROTACIÓN DE HOJA: ESTÁNDAR» o «ROTACIÓN DE HOJA: ATRÁS». Para escoger la opción resaltada pulse «OK». Solo podrá realizar esta selección mientras la hoja está parada.
- Active la rotación de la hoja manteniendo pulsado el botón de arranque verde mientras gira el control de rotación en el sentido de las agujas del reloj. Existe un retraso de tres segundos antes de que la hoja empiece a rotar. Puede seguir la cuenta atrás en la pantalla. El retraso sirve para enfriar la unidad de alimentación, que puede calentarse cuando está activa y no hay agua refrigerada en circulación.



- Si el modo seleccionado para el agua refrigeradora es «ON», no habrá retraso.
- La refrigeración por agua empieza automáticamente cuando la manija para la rotación de la hoja se desplaza de la posición cero. ¡ATENCIÓN! Solo es aplicable si el modo refrigerador de agua está ajustado en «AUTO». El flujo de agua se ajusta con la válvula esférica de la conexión de entrada de agua de la unidad.
- Activar el avance de entrada, girando la manija de avance de entrada del mando a distancia en la dirección deseada.



- Active el avance de la unidad de serrado girando el control de avance en el sentido deseado.

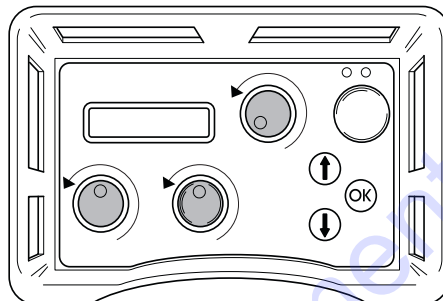


- Para más información sobre la técnica de serrado, lea detenidamente el manual facilitado con la sierra de pared.

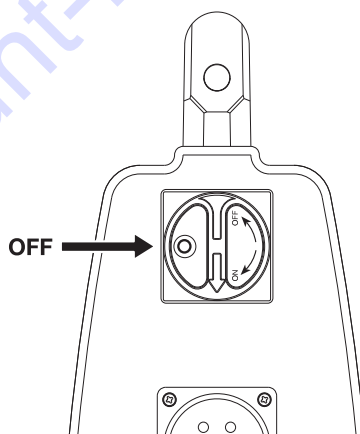
Parada



- Para desactivar la rotación de la hoja, gire el control de rotación en sentido contrario al de las agujas del reloj, hasta alcanzar la posición «0».



- El refrigerador de agua se apaga automáticamente con un retraso de tres segundos. ¡ATENCIÓN! Solo es aplicable si el modo refrigerador de agua está ajustado en «AUTO».
Gire los controles de entrada y avance a las posiciones «0» respectivas.
- Seleccione la posición «0» del interruptor principal de la unidad eléctrica.

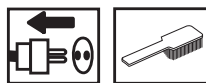


Después de terminar el trabajo

Desmontaje del equipo

- Desconecte el conductor de alimentación de entrada y la manguera de entrada de agua.
- Desconecte el conductor de alimentación y la manguera de agua entre la unidad eléctrica y la unidad de serrado.
- Si existe riesgo de congelación, drene el agua refrigeradora restante del dispositivo.

Limpieza



Asegúrese de que los conectores y los pines están limpios. Límpielos con un trapo o un cepillo.

No utilice un equipo de limpieza a alta presión para limpiar la unidad.

MANTENIMIENTO

Servicio



¡IMPORTANTE! Las reparaciones de todo tipo deben ser efectuadas por técnicos autorizados, únicamente. De este modo se evita someter a los operadores a grandes riesgos.

Después de 100 horas de funcionamiento, se mostrará el mensaje «Time for servicing» («Efectuar mantenimiento»). Deberá llevar el equipo a un distribuidor autorizado de Husqvarna para que efectúe el mantenimiento de la máquina. El mensaje reaparece 100 horas después de cada servicio.

Mensajes de fallo

Si hubiese defectos, aparecería un mensaje de error en la pantalla. Siga las instrucciones indicadas o póngase en contacto con un distribuidor autorizado.

| Código de fallo | Mensaje de error | Causa | Medida |
|-----------------|---|---|---|
| F01 | MOTOR OVERHEATED (SOBRECIENTAMIENTO DEL MOTOR) | Falta agua refrigeradora o es insuficiente para el motor de la sierra. | Verifique que el agua refrigeradora llega al motor de la sierra a un máximo de 25 °C y a 3,5 l/min como mínimo. |
| F02 | POWER OVERHEATED (SOBRECIENTAMIENTO ELÉCTRICO) | Falta agua refrigeradora o es insuficiente para la unidad. | Verifique que el agua refrigeradora llega a la unidad a un máximo de 25 °C y a 3,5 l/min como mínimo. Si aparece un mensaje al iniciar la rotación de la hoja, vaya al menú de funcionamiento y seleccione «ON» en «Water coolant» (agua refrigeradora). Deje que el agua refrigeradora circule por la unidad de alimentación durante un minuto antes de volver a iniciar la rotación de la hoja. |
| F03 | LOW VOLTAGE (TENSIÓN BAJA) | Tensión eléctrica baja para la unidad. | Controle la tensión durante el funcionamiento. Compruebe que existen las tres fases. Verifique que los cables de entrada tienen una sección suficiente. |
| F04 | HIGH VOLTAGE (TENSIÓN ALTA) | Tensión alta en la unidad. | Controle la tensión durante el funcionamiento. Este mensaje se muestra normalmente cuando se utiliza un generador como fuente de alimentación. |
| F05 | OVER CURRENT (SOBREINTENSIDAD) | Sobreintensidad en el motor de la sierra. | Compruebe que el conductor de alimentación está bien colocado y que no tiene ningún daño. Este mensaje puede mostrarse si hay algún contacto flojo. |
| F06 | NO HALL SENS. TRAVEL MOTOR (MOTOR DE AVANCE SIN SENSOR HALL) | Avería en la tarjeta del sensor HALL para el avance. | Lleve el equipo a un taller de reparación autorizado. |
| F07 | NO HALL SENS. DEPTH MOTOR (MOTOR DE ENTRADA SIN SENSOR HALL) | Avería en la tarjeta del sensor HALL para la entrada. | Lleve el equipo a un taller de reparación autorizado. |
| F08 | TRAVEL MOTOR OVERLOADED (MOTOR DE AVANCE SOBRECARGADO) | Motor de avance sobrecargado. | Para reiniciarlo, invierta la función de entrada. Si el mensaje de error vuelve a aparecer, lubrique los engranajes de entrada, limpie los rieles y ajuste el soporte de sierra. Si esto no ayuda, lleve el equipo a un taller de servicio autorizado Husqvarna. |
| F09 | DEPTH MOTOR OVERLOADED (MOTOR DE ENTRADA SOBRECARGADO) | Motor de entrada sobrecargado. | Para reiniciarlo, invierta la función de entrada. Si el mensaje de error vuelve a aparecer, lubrique los engranajes de entrada. Si esto no ayuda, lleve el equipo a un taller de servicio autorizado Husqvarna. |
| F10 | BLADE JAM (HOJA ATASCADA) | La hoja no puede girar. | Retire la hoja del lugar de corte y accione el giro de la hoja. |
| F11 | GROUND FAULT OR NO SAW HEAD (FUGA A TIERRA O AUSENCIA DE CABEZAL DE SIERRA) | La conexión a tierra de la unidad de alimentación / sierra es incorrecta o no hay ninguna sierra conectada a la unidad de alimentación. | Compruebe la conexión eléctrica de entrada de la unidad de alimentación y verifique que la sierra está conectada a la unidad de alimentación. Si esto no ayuda, lleve el equipo a un taller de servicio autorizado Husqvarna. |
| F12 | NON-COMPATIBLE SAW UNIT (SIERRA INCOMPATIBLE) | Se ha conectado una sierra incorrecta a la unidad de alimentación. | Conecte una sierra compatible con la unidad de alimentación. |
| F13 | NO CONTACT CHECK CABLE (NO HAY CONTACTO, COMPROBAR CABLE CAN) | No hay contacto entre la unidad eléctrica y el control remoto. | Sustituya el cable CAN-BUS. |
| F14 | NO RADIO CONTACT (NO HAY CONTACTO POR RADIO) | No hay contacto por radio entre el control remoto y la unidad de alimentación. | Compruebe que la unidad de alimentación está activada y que la luz indicadora verde está encendida. Si esto no ayuda, lleve el equipo a un taller de servicio de Husqvarna. La máquina puede utilizarse con el cable CANbus entre la unidad de alimentación y el control remoto. |

Mantenimiento diario



Controlar rutinariamente:

- Si hay ruidos anormales.
- Asegúrese de que los conectores y los pines están limpios. Límpielos con un trapo o un cepillo.
- No utilice un equipo de limpieza a alta presión para limpiar la unidad.

To order go to Discount-Equipment.com

DATOS TECNICOS

PP 480 HF

| | |
|----------------------------|---------------------------------|
| Salida máx., kW | 20 (32 A) |
| Amperaje nominal, A | 16-32 |
| Tensión de entrada, V | 380-480 V, 50-60 Hz |
| Tensión de salida, V | 340 V, 0-500 Hz |
| Seg. tensión de salida, V | 24 V, 0-1500 Hz |
| Conexión eléctrica | 3P+PE (4-pin) / 3P+N+PE (5-pin) |
| 1 toma monofásica de 230 V | Solo dispositivos de 5 pines |

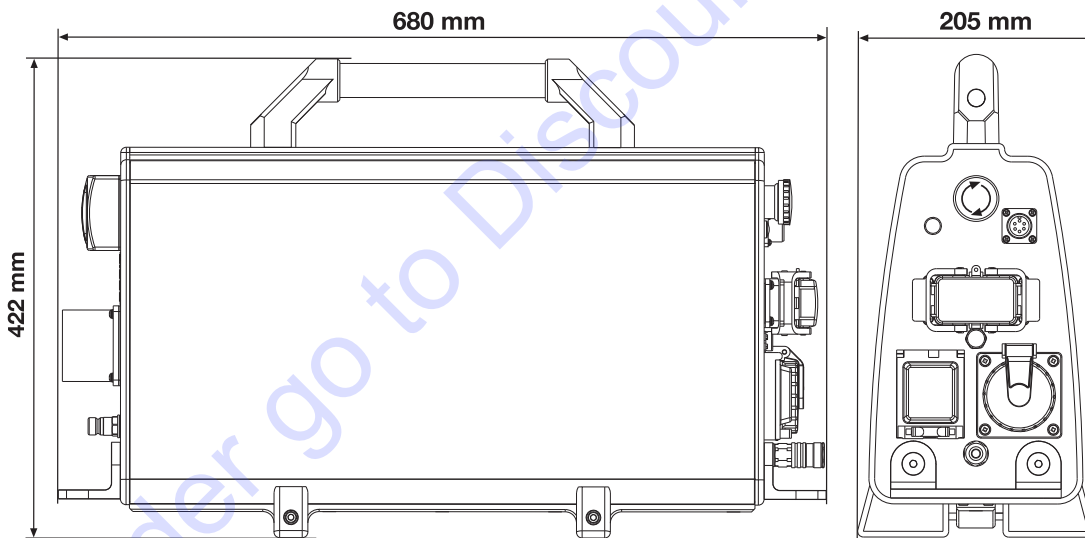
Resultado del generador: en min y kVA.

| | |
|-----------|----|
| 400V, 16A | 12 |
| 400V, 25A | 20 |
| 400V, 32A | 24 |

Peso, kg/lbs 23/51

Presión máx. de la refrigeración hidráulica, bar 7
Caudal mínimo de agua refrigeradora, l/min 3,5
Temperatura máx. de la refrigeración hidráulica a 3,5 l/min, °C 25

Dimensiones



DATOS TECNICOS

Hoja

Velocidad de la hoja recomendada



¡ATENCIÓN! Si corta a revoluciones demasiado elevadas puede causar daños a la hoja y daños personales.

| Velocidad, r/min | |
|------------------|----------|
| Engranaje 1 | 600-900 |
| Engranaje 2 | 800-1200 |

Cuando se sierra a velocidades comprendidas entre las 800 y 900 rpm, se obtiene un resultado de serrado mayor si se utiliza el engranaje 1.

Siga las recomendaciones del fabricante de la hoja acerca del material y la velocidad cuando elija una hoja. Deberá utilizarse una velocidad más baja o realizarse un corte más superficial al cortar en hormigón duro que al cortar en hormigón blando.

| | 600 mm (24") | 800 mm (32") | 1000 mm (40") | 1200 mm (48") | 1600 mm (63") |
|-------------|--------------|--------------|---------------|---------------|---------------|
| 600 r.p.m. | | | | | |
| 700 r.p.m. | | | | | |
| 800 r.p.m. | | | | | |
| 900 r.p.m. | | | | | |
| 1000 r.p.m. | | | | | |
| 1100 r.p.m. | | | | | |
| 1200 r.p.m. | | | | | |

| Hormigón | |
|----------|--------|
| | Duro |
| | Medio |
| | Blando |

To order go to Discount-Equipment.com

GB - Original instructions, FR - Instructions d'origine, ES - Instrucciones originales

1153428-95



2010-02-15

TO PURCHASE THIS PRODUCT PLEASE CONTACT US



**Equipment Financing and
Extended Warranties Available**



**Discount-Equipment.com is your online resource for
commercial and industrial quality parts and equipment sales.**

561-964-4949

visit us on line @ www.discount-equipment.com

Select an option below to find your Equipment

Search by Manufacturer

Search by Product Type

Request a Quote

We sell worldwide for the brands: Genie, Terex, JLG, MultiQuip, Mikasa, Essick, Whiteman, Mayco, Toro Stone, Diamond Products, Generac Magnum, Airman, Haulotte, Barreto, Power Blanket, Nifty Lift, Atlas Copco, Chicago Pneumatic, Allmand, Miller Curber, Skyjack, Lull, Skytrak, Tsurumi, Husquvarna Target, Stow, Wacker, Sakai, Mi-T-M, Sullair, Basic, Dynapac, MBW, Weber, Bartell, Bennar Newman, Haulotte, Ditch Runner, Menegotti, Morrison, Contec, Buddy, Crown, Edco, Wyco, Bomag, Laymor, EZ Trench, Bil-Jax, F.S. Curtis, Gehl Pavers, Heli, Honda, ICS/PowerGrit, IHI, Partner, Imer, Clipper, MMD, Koshin, Rice, CH&E, General Equipment, Amida, Coleman, NAC, Gradall, Square Shooter, Kent, Stanley, Tamco, Toku, Hatz, Kohler, Robin, Wisconsin, Northrock, Oztec, Toker TK, Rol-Air, APT, Wylie, Ingersoll Rand / Doosan, Innovatech, Con X, Ammann, Mecalac, Makinex, Smith Surface Prep, Small Line, Wanco, Yanmar