

## K3600 MkII

Reservdelar

Spare parts

Ersatzteile

Pieces de rechange

Piezas de repuesto

Ricambi

Peças sobresselente

# PARTS FINDER

**Search Website  
by Part Number**



**Search Manual  
Library For Parts  
Manual & Lookup Part  
Numbers – Purchase  
or Request Quote**

**Search Manuals**

Enter your information to help us find the right parts manual for your machine.

\* Brand:

\* Model:

\* Serial:

\* Part Number:

SEARCH

**Can't Find Part or  
Manual? Request Help  
by Manufacturer,  
Model & Description**

**Parts Order Form**

Please fill in the following information to help us find the right part for your machine.

Manufacturer:	<input type="text"/>
Model:	<input type="text"/>
Description:	<input type="text"/>
Part Number:	<input type="text"/>
Quantity:	<input type="text"/>
Notes:	<input type="text"/>

Submit

Discount-Equipment.com is your online resource for quality parts & equipment.

Florida: **561-964-4949** Outside Florida TOLL FREE: **877-690-3101**

**Need parts?**

Click on this link: <http://www.discount-equipment.com/category/5443-parts/> and choose one of the options to help get the right parts and equipment you are looking for. Please have the machine model and serial number available in order to help us get you the correct parts. If you don't find the part on the website or on one of the online manuals, please fill out the request form and one of our experienced staff members will get back to you with a quote for the right part that your machine needs.

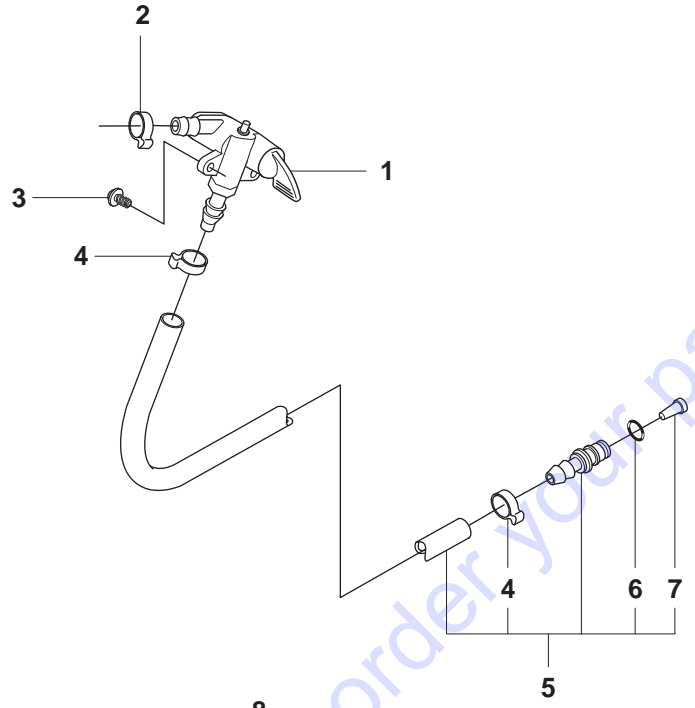
We sell worldwide for the brands: Genie, Terex, JLG, MultiQuip, Mikasa, Essick, Whiteman, Mayco, Toro Stone, Diamond Products, Generac Magnum, Airman, Haulotte, Barreto, Power Blanket, Nifty Lift, Atlas Copco, Chicago Pneumatic, Allmand, Miller Curber, Skyjack, Lull, Skytrak, Tsurumi, Husquvarna Target, Stow, Wacker, Sakai, Mi-T-M, Sullair, Basic, Dynapac, MBW, Weber, Bartell, Bennar Newman, Haulotte, Ditch Runner, Menegotti, Morrison, Contec, Buddy, Crown, Edco, Wyco, Bomag, Laymor, EZ Trench, Bil-Jax, F.S. Curtis, Gehl Pavers, Heli, Honda, ICS/PowerGrit, IHI, Partner, Imer, Clipper, MMD, Koshin, Rice, CH&E, General Equipment, Amida, Coleman, NAC, Gradall, Square Shooter, Kent, Stanley, Tamco, Toku, Hatz, Kohler, Robin, Wisconsin, Northrock, Oztec, Toker TK, Rol-Air, APT, Wylie, Ingersoll Rand / Doosan, Innovatech, Con X, Ammann, Mecalac, Makinex, Smith Surface Prep, Small Line, Wanco, Yanmar

No.	Pos.	Description	No.	Pos.	Description
501 19 22-01	G	TOOL CASING	506 30 35-01	C	BUMPER
501 69 17-02	G	COMBINATION TOOL	506 31 22-01	D	DRIVER
502 21 58-01	G	L-SPANNER	506 31 28-01	E	COVER PLATE
503 20 00-03	A	SCREW COLLAR	506 31 45-01	E	SPACER TUBE
503 20 00-04	A	SCREW COLLAR	506 31 63-01	A	PLATE
503 20 00-05	A	SCREW COLLAR	506 31 68-01	C	SPACING SLEEVE
503 20 00-07	A	SCREW COLLAR	506 31 68-02	B	SPACING SLEEVE
503 20 02-20	D	SCREW	506 31 69-01	C	DUST COVER
503 20 02-30	D	SCREW	506 32 00-01	D	SHAFT
503 20 13-18	BC	COLLAR SCREW	506 32 08-02	D	GEAR WHEEL ASSY
503 20 54-35	B	SCREW	506 32 17-01	B	WASHER
503 21 46-01	AE	SCREW	506 33 08-01	B	THREAD BUSHING
503 22 00-01	B	NUT FLANGE	506 33 49-03	B	SPACER TUBE
503 23 04-03	B	WASHER	506 33 65-01	C	SEALING RING
503 24 07-01	D	PIN	506 34 39-01	C	WIPER
503 25 24-01	BC	BALL BEARING	506 34 63-01	B	WASHER
503 26 20-01	BC	SEALING RING	506 34 64-01	B	SCREW
503 26 30-08	B	O-RING	506 34 67-04	D	KIT
503 26 30-21	AE	O-RING	506 34 76-01	C	COMPRESSION SPRING
503 26 30-22	E	O-RING	506 34 94-02	A	TAP
503 26 30-25	E	O-RING	506 35 18-06	B	LEVER
503 26 30-26	B	O-RING	506 35 19-01	B	WEAR PROTECTION
503 26 30-28	D	O-RING	506 35 19-02	C	WEAR PROTECTION
506 09 56-02	A	HOSE CLAMP	506 35 20-02	C	GUIDE ROLLER
506 09 56-03	AE	HOSE CLAMP	506 35 20-03	C	GUIDE ROLLER
506 09 58-14	E	HOSE CLAMP	506 35 21-02	B	SUPPORT ROLLER
506 10 55-01	E	HOSE	506 35 52-01	G	KEY
506 10 95-02	F	HYDRAULIC HOSE	506 35 54-03	A	WINDOW
506 10 96-21	F	QUICK COUPLING	506 35 72-04	E	HANDLE ASSY
506 11 03-01	D	O-RING	506 35 73-02	E	GRIP
506 11 05-01	D	BEARING	506 35 95-01	D	THROTTLE ROD
506 13 95-12	D	WASHER	506 36 36-01	G	L-SPANNER
506 17 83-02	D	GEAR WHEEL	506 36 38-02	G	TOOL KIT
506 19 87-03	D	HYDRAULIC MOTOR	506 36 83-05	C	CHASSIS
506 20 31-01	D	LEVER	506 37 63-01	B	SPACER
506 20 34-03	A	THROTTLE TRIGGER	506 37 64-01	B	RUBBER BUSHING
506 20 38-01	D	SPRING	506 37 76-02	A	THROTTLE TRIGGER
506 21 59-01	D	VALVE SPINDLE	506 37 93-02	B	SPACING SLEEVE
506 21 60-01	D	VALVE SLEEVE	506 37 93-02	C	SPACING SLEEVE
506 21 80-01	D	VALVE CONE	506 38 09-01	C	BEARING CAGE
506 21 81-01	D	SPRING	506 38 11-01	C	CAP
506 21 82-01	D	PLUNGE	506 38 22-02	C	KNOB
506 21 83-01	D	SPRING	506 38 23-01	C	BEARING CAGE
506 21 85-01	D	VALVE SEAT	506 38 23-02	C	BEARING CAGE
506 23 35-02	D	HOUSING	506 38 29-01	E	NIPPLE
506 24 52-03	A	HANDLE HALF LEFT	506 38 33-02	E	WATER BLADE
506 24 53-03	A	HANDLE HALF RIGHT	506 38 37-02	G	L-SPANNER
506 24 69-05	E	CUP SPRING	506 38 49-02	G	LUBRICATION GUN
506 24 95-01	E	BLADE GUARD	506 38 97-01	C	PIN
506 25 65-02	D	FLANGE WASHER	506 39 95-01	B	SEALING
506 25 68-02	E	SPRING	544 07 76-01	C	SLEEVE
506 25 75-01	E	SPRAY GUARD	544 08 04-02	G	GREASE TUBE
506 26 22-02	E	TORSION SPRING	544 13 74-01	E	PIN
506 26 26-01	A	TORSION SPRING	544 87 29-01	A	LABEL
506 26 60-02	E	WHEEL	544 87 30-01	A	LABEL
506 27 21-02	A	THROTTLE LOCKOUT	544 87 32-01	A	LABEL WARNING
506 27 34-01	D	SEALING COLLAR	720 12 71-52	A	PIN
506 28 03-06	B	COVER	720 13 16-06	A	PIN
506 29 23-01	E	DRAW SPRING	725 53 27-55	E	SCREW
506 29 31-01	A	WATER HOSE KIT	725 53 29-55	BC	SCREW
506 29 88-01	A	FILTER	725 53 76-55	D	SCREW
506 30 09-01	C	LOCKING BUTTON	725 53 79-56	E	SCREW
506 30 11-14	D	SEALING	725 53 80-06	E	SCREW
506 30 12-01	D	CAP	725 53 81-56	B	SCREW
506 30 14-02	B	ADJUSTING SCREW	725 54 69-05	E	SCREW
506 30 29-01	C	SHAFT	729 52 89-71	E	SCREW
506 30 29-02	B	SHAFT	732 25 12-01	D	NUT
506 30 33-01	C	SPACING SLEEVE	734 48 80-01	E	WASHER
506 30 33-02	B	SPACING SLEEVE	735 31 08-20	D	E-RING
506 30 34-01	BC	DRIVER	735 31 14-00	D	CIRCLIP

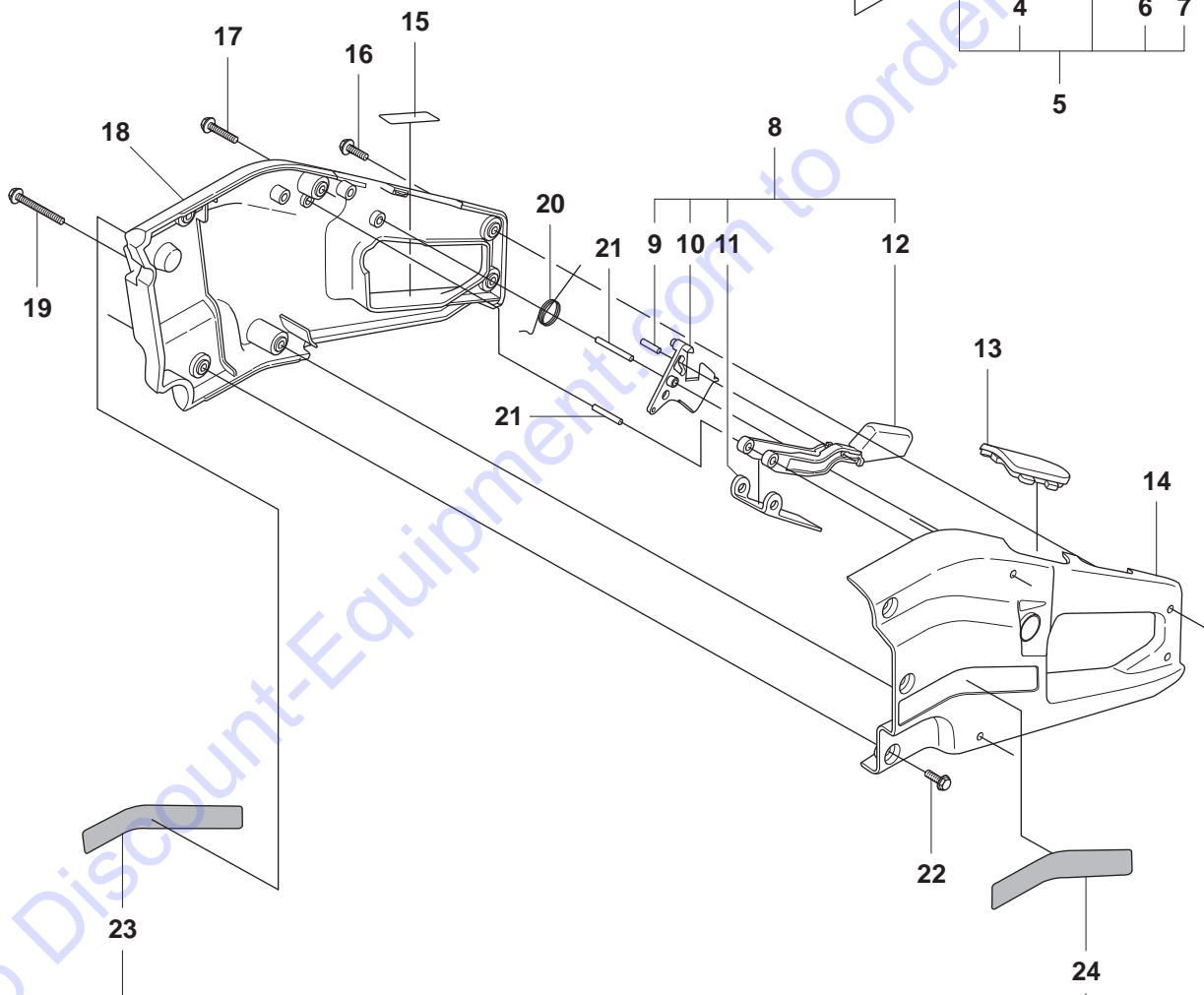
No.	Pos.	Description	No.	Pos.	Description
735 31 28-10	BC	CIRCLIP			
735 31 31-10	D	CIRCLIP			
735 88 06-00	D	WOODRUFF KEY			
738 22 01-25	D	BALL BEARING			
738 88 10-01	C	LUBRICATION NIPPLE			
740 38 27-01	F	WASHER			
740 38 34-01	F	WASHER			
740 42 03-00	D	O-RING			
740 42 04-00	B	O-RING			
740 43 02-00	D	O-RING			
740 43 03-00	E	O-RING			
740 43 11-00	D	O-RING			
740 48 20-12	C	O-RING			
740 48 25-02	C	O-RING			

Go to Discount-Equipment.com to order your parts

**A** K3600MkII



Max 150 bar (2200 psi)  
35-42 l/min. (9-11 gpm)  
CE, ISO 9001, ISO 14001



**Husqvarna**  
**PARTNER**  
**K3600**  
**MARK II**

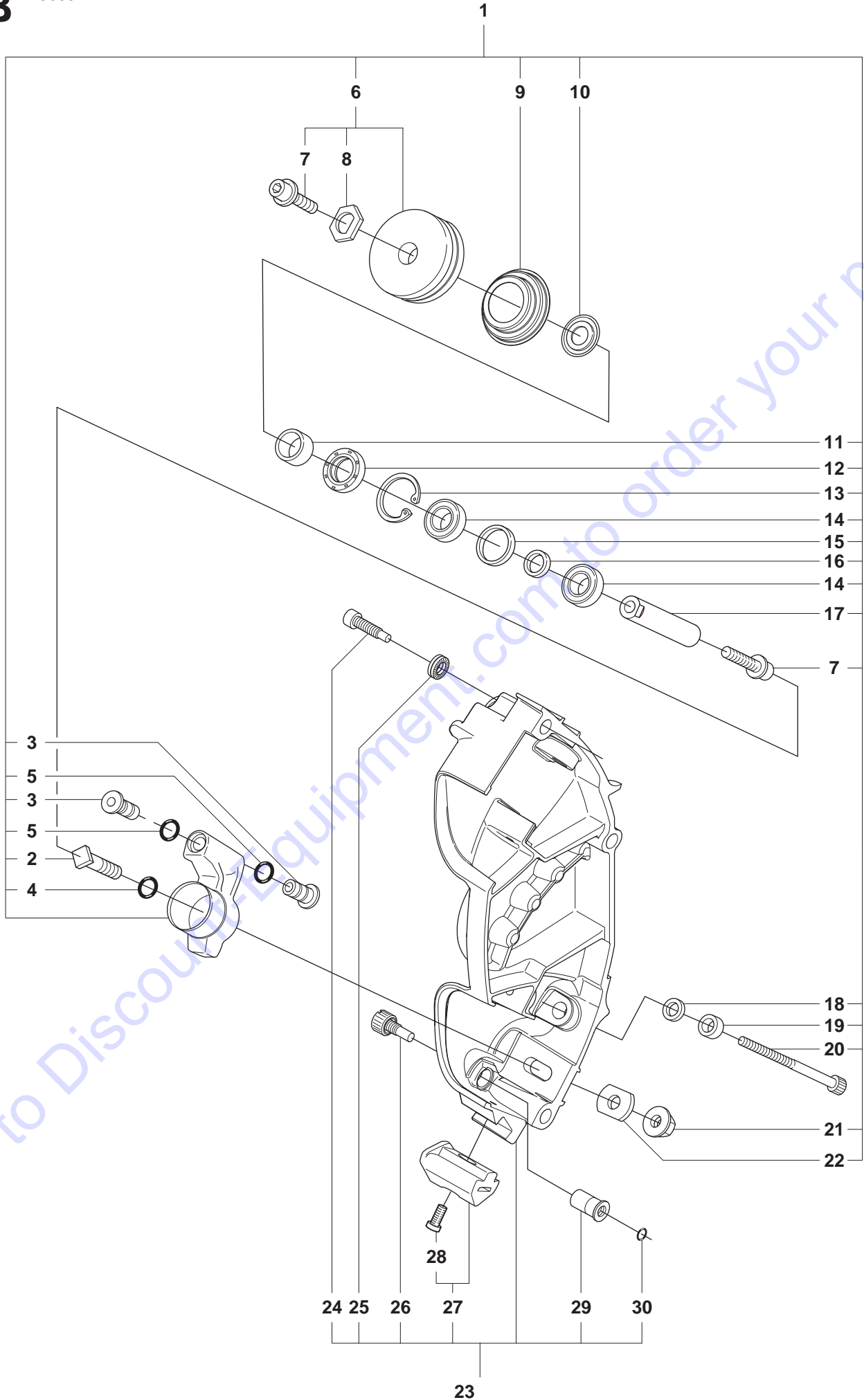
**PARTNER**  
**K3600**  
**MARK II**  
**Husqvarna**

**Page A**  
**K3600 MkII**

Pos.	Part No.	Description	Quantity	Notes
1	506 34 94-02	TAP	1	
2	506 09 56-03	HOSE CLAMP	1	
3	503 21 46-01	SCREW	2	
4	506 09 56-02	HOSE CLAMP	2	
5	506 29 31-01	WATER HOSE KIT	1	Incl. 4, 6, 7
6	503 26 30-21	O-RING	1	
7	506 29 88-01	FILTER	1	
8	506 37 76-02	THROTTLE TRIGGER	1	Incl. 9, 10, 11, 12
9	720 12 71-52	PIN	1	
10	506 20 34-03	THROTTLE TRIGGER	1	
11	506 31 63-01	PLATE	1	
12	506 27 21-02	THROTTLE LOCKOUT	1	
13	506 35 54-03	WINDOW	1	
14	506 24 52-03	HANDLE HALF LEFT	1	
15	544 87 32-01	LABEL WARNING	1	
16	503 20 00-04	SCREW COLLAR	4	
17	503 20 00-05	SCREW COLLAR	1	
18	506 24 53-03	HANDLE HALF RIGHT	1	
19	503 20 00-07	SCREW COLLAR	1	
20	506 26 26-01	TORSION SPRING	1	
21	720 13 16-06	PIN	2	
22	503 20 00-03	SCREW COLLAR	3	
23	544 87 29-01	LABEL	1	
24	544 87 30-01	LABEL	1	

Go to Discount-Equipment.com to order your parts

**B** K3600MkII

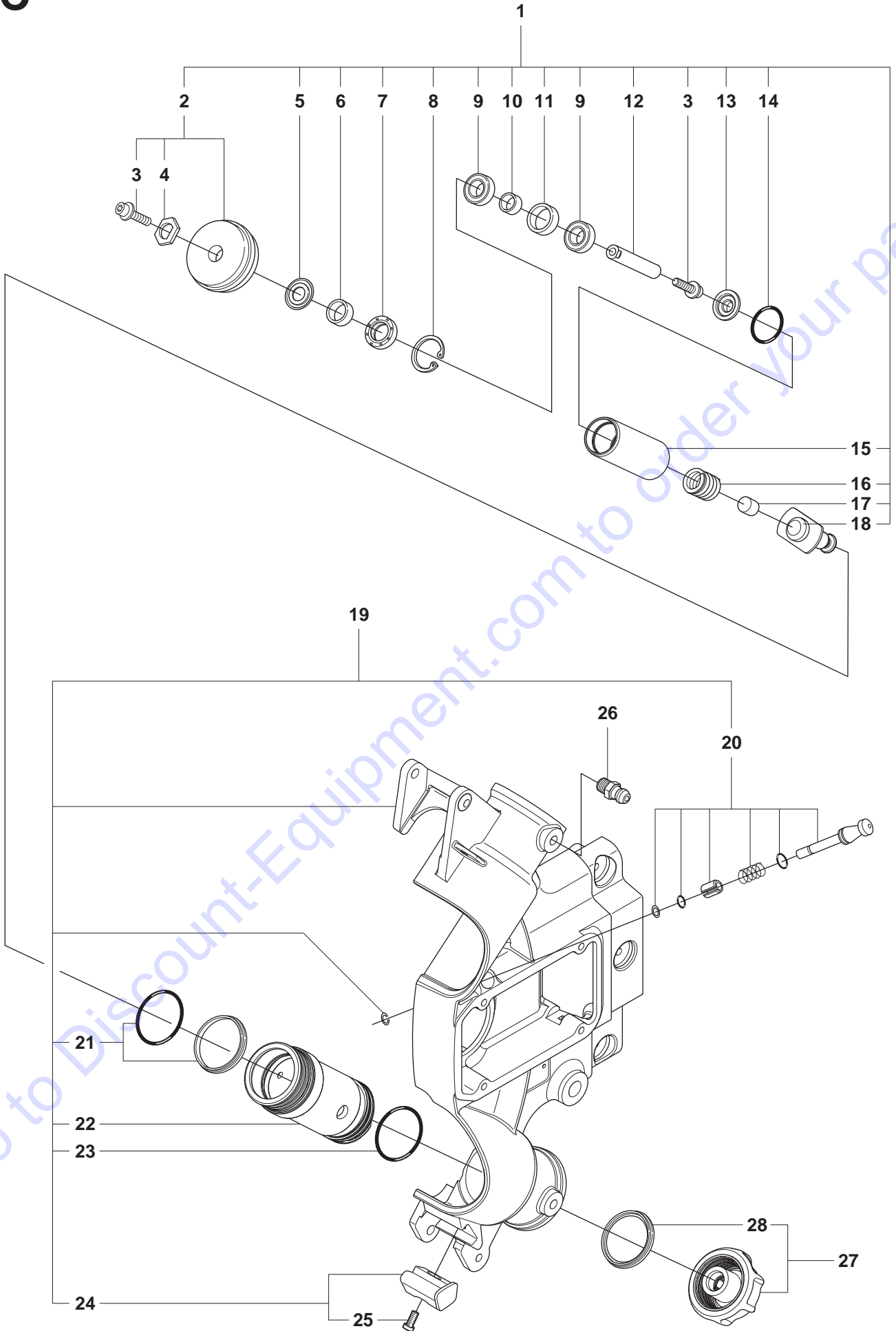


**Page B**  
**K3600 MkII**

Pos.	Part No.	Description	Quantity	Notes
1	506 35 18-06	LEVER	1	Incl. 2 - 6, 9 - 23
2	506 34 64-01	SCREW	1	
3	506 33 49-03	SPACER TUBE	2	
4	503 26 30-08	O-RING	1	
5	503 26 30-26	O-RING	2	
6	506 35 21-02	SUPPORT ROLLER	1	Incl. 7, 8
7	503 20 13-18	COLLAR SCREW	1	
8	506 30 34-01	DRIVER	1	
9	506 39 95-01	SEALING	1	
10	506 32 17-01	WASHER	1	
11	506 37 93-02	SPACING SLEEVE	1	
12	503 26 20-01	SEALING RING	1	
13	735 31 28-10	CIRCLIP	1	
14	503 25 24-01	BALL BEARING	2	
15	506 31 68-02	SPACING SLEEVE	1	
16	506 30 33-02	SPACING SLEEVE	1	
17	506 30 29-02	SHAFT	1	
18	506 37 63-01	SPACER	1	
19	506 37 64-01	RUBBER BUSHING	1	
20	725 53 81-56	SCREW	1	
21	503 22 00-01	NUT FLANGE	1	
22	506 34 63-01	WASHER	1	
23	506 28 03-06	COVER	1	Incl. 24, 25, 26 27, 29, 30
24	503 20 54-35	SCREW	3	
25	503 23 04-03	WASHER	3	
26	506 30 14-02	ADJUSTING SCREW	2	
27	506 35 19-01	WEAR PROTECTION	1	Incl. 28
28	725 53 29-55	SCREW	1	
29	506 33 08-01	THREAD BUSHING	1	
30	740 42 04-00	O-RING	2	

Go to Discounted Equipment.com to order your parts





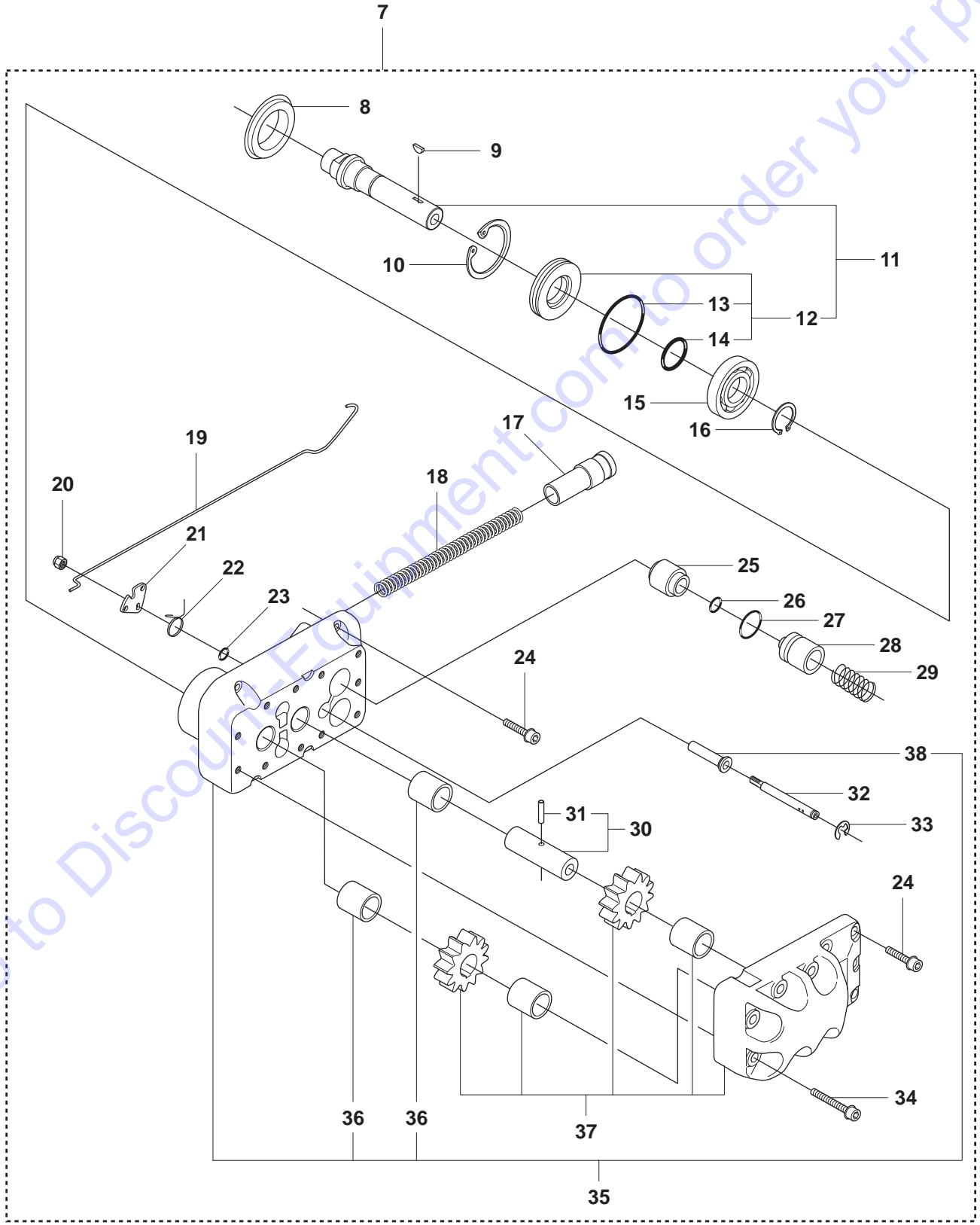
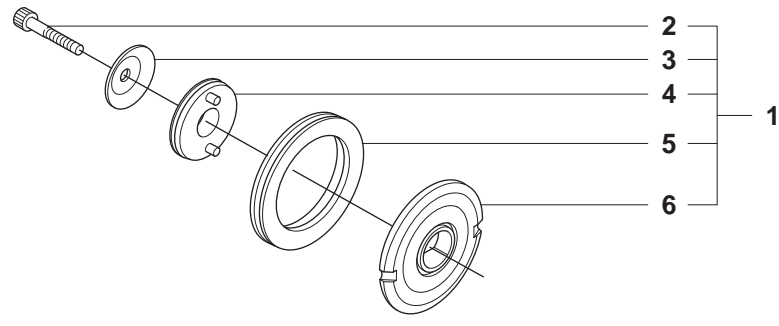
Go to Discount-Equipment.com to order your parts

**Page C**  
**K3600 MkII**

Pos.	Part No.	Description	Quantity	Notes
1	506 38 23-01	BEARING CAGE	1	Incl. 2, 3, 5 - 18
1	506 38 23-02	BEARING CAGE	1	Incl. 2, 3, 5 - 18. Sweden only
2	506 35 20-02	GUIDE ROLLER	1	Incl. 3, 4
2	506 35 20-03	GUIDE ROLLER	1	Incl. 3, 4. Sweden only
3	503 20 13-18	COLLAR SCREW	1	
4	506 30 34-01	DRIVER	1	
5	506 31 69-01	DUST COVER	1	
6	506 37 93-02	SPACING SLEEVE	1	
7	503 26 20-01	SEALING RING	1	
8	735 31 28-10	CIRCLIP	1	
9	503 25 24-01	BALL BEARING	2	
10	506 30 33-01	SPACING SLEEVE	1	
11	506 31 68-01	SPACING SLEEVE	1	
12	506 30 29-01	SHAFT	1	
13	506 38 11-01	CAP	1	
14	740 48 20-12	O-RING	1	
15	506 38 09-01	BEARING CAGE	1	
16	506 34 76-01	COMPRESSION SPRING	1	
17	506 30 35-01	BUMPER	1	
18	506 38 97-01	PIN	1	
19	506 36 83-05	CHASSIS	1	Incl. 2, 21, 22, 23, 24
20	506 30 09-01	LOCKING BUTTON	1	
21	506 34 39-01	WIPER	2	
22	544 07 76-01	SLEEVE	2	
23	740 48 25-02	O-RING	2	
24	506 35 19-02	WEAR PROTECTION	1	Incl. 25
25	725 53 29-55	SCREW	1	
26	738 88 10-01	LUBRICATION NIPPLE	2	
27	506 38 22-02	KNOB	1	Incl. 28
28	506 33 65-01	SEALING RING	1	

Go to DiscountEquipment.com to order your parts

**D** K3600MkII

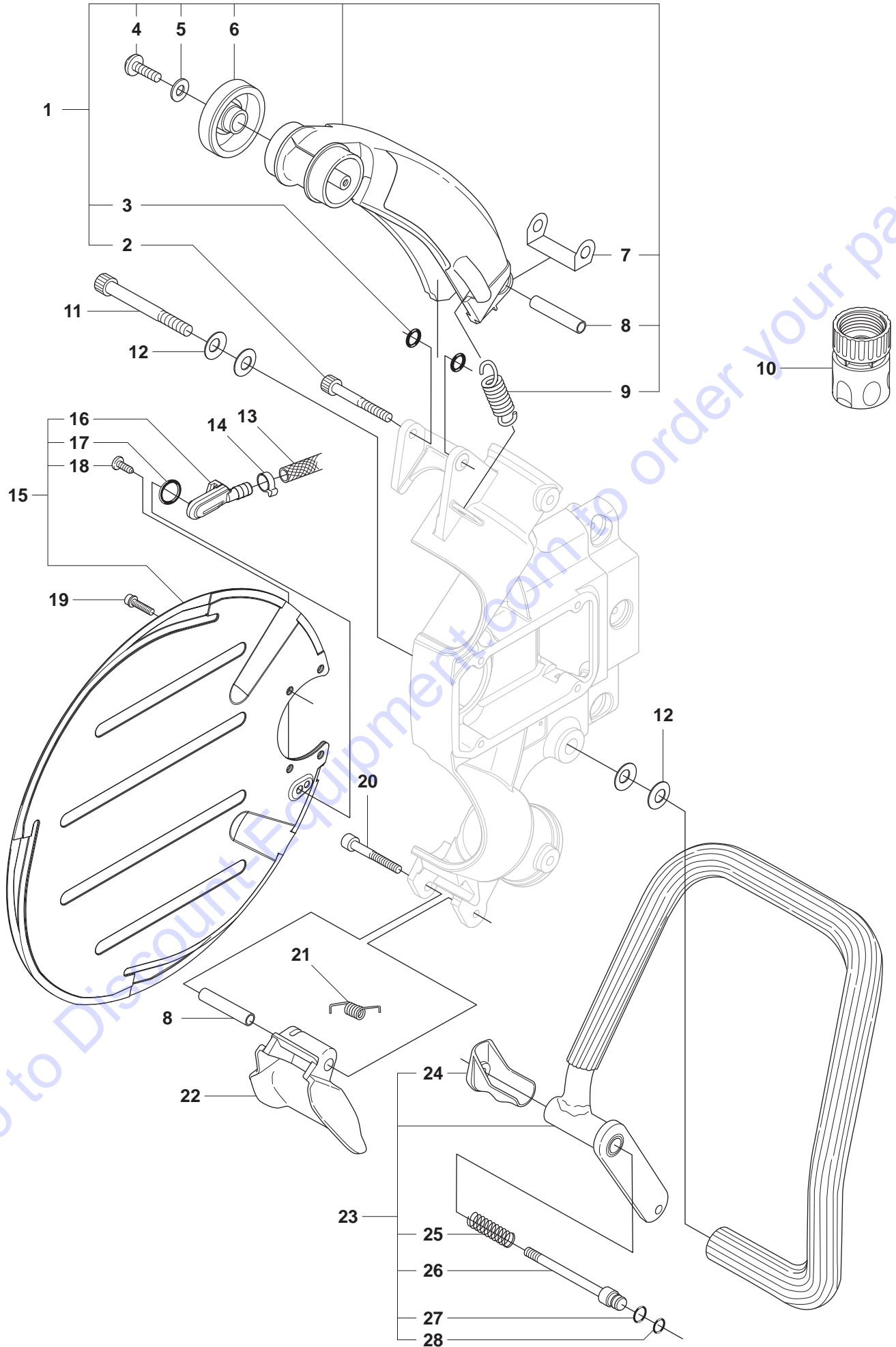


Go to [DiscountEquipment.com](http://DiscountEquipment.com) to order your parts

**Page D**  
**K3600 MkII**

Pos.	Part No.	Description	Quantity	Notes
1	506 32 08-02	GEAR WHEEL ASSY	1	Incl. 2, 3, 4, 5, 6
2	725 53 76-55	SCREW	1	
3	506 13 95-12	WASHER	1	
4	506 31 22-01	DRIVER	1	
5	506 17 83-02	GEAR WHEEL	1	
6	506 25 65-02	FLANGE WASHER	1	
7	506 19 87-03	HYDRAULIC MOTOR	1	Incl. 8-11,
8	506 27 34-01	SEALING COLLAR	1	
9	735 88 06-00	WOODRUFF KEY	1	
10	735 31 31-10	CIRCLIP	1	
11	506 34 67-04	KIT	1	Incl. 12
12	506 30 11-14	SEALING	1	Incl. 13, 14
13	506 11 03-01	O-RING	1	
14	503 26 30-28	O-RING	1	
15	738 22 01-25	BALL BEARING	1	
16	735 31 14-00	CIRCLIP	1	
17	506 21 82-01	PLUNGE	1	
18	506 21 83-01	SPRING	1	
19	506 35 95-01	THROTTLE ROD	1	
20	732 25 12-01	NUT	1	
21	506 20 31-01	LEVER	1	
22	506 20 38-01	SPRING	1	
23	740 43 02-00	O-RING	1	
24	503 20 02-20	SCREW	9	
25	506 21 85-01	VALVE SEAT	1	
26	740 42 03-00	O-RING	1	
27	740 43 11-00	O-RING	1	
28	506 21 80-01	VALVE CONE	1	
29	506 21 81-01	SPRING	1	
30	506 32 00-01	SHAFT	1	Incl. 31
31	503 24 07-01	PIN	1	
32	506 21 59-01	VALVE SPINDLE	1	
33	735 31 08-20	E-RING	1	
34	503 20 02-30	SCREW	6	
35	506 23 35-02	HOUSING	1	Incl. 36, 37
36	506 11 05-01	BEARING	4	
37	506 30 12-01	CAP	1	
38	506 21 60-01	VALVE SLEEVE	1	

**E** K3600MkII

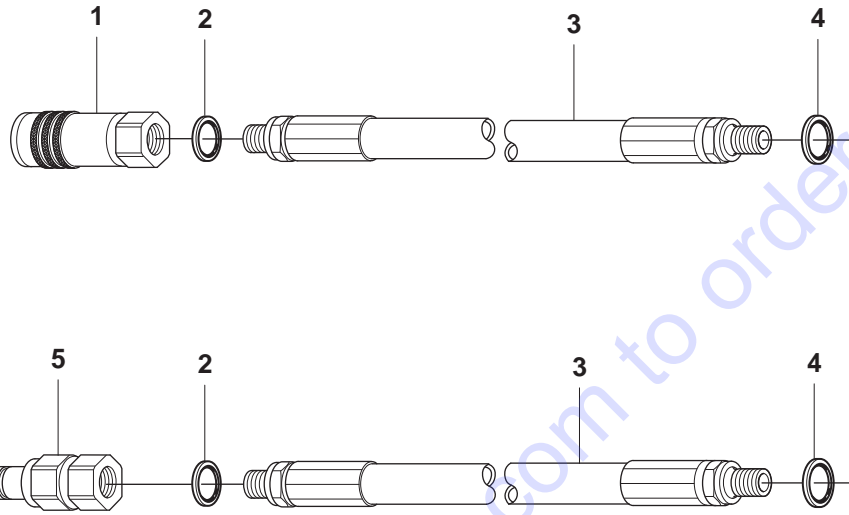


**Page E**  
**K3600 MkII**

Pos.	Part No.	Description	Quantity	Notes
1	506 24 69-05	BLADE GUARD	1	Incl. 2, 3, 4, 5, 6, 7, 8, 9
2	725 53 80-06	SCREW	1	
3	503 26 30-25	O-RING	2	
4	503 21 46-01	SCREW	2	
5	734 48 80-01	WASHER	2	
6	506 26 22-02	TORSION SPRING	2	
7	506 31 28-01	COVER PLATE	1	
8	506 31 45-01	SPACER TUBE	1	
9	506 29 23-01	DRAW SPRING	1	
10	506 26 60-02	WHEEL	1	
11	725 54 69-05	SCREW	1	
12	506 10 55-01	HOSE	4	
13	506 09 58-14	HOSE CLAMP	1	
14	506 09 56-03	COUPLER	1	
15	506 38 33-02	WATER BLADE	1	Incl. 16, 17, 18
16	506 38 29-01	NIPPLE	1	
17	503 26 30-21	O-RING	1	
18	729 52 89-71	SCREW	1	
19	725 53 27-55	SCREW	4	
20	725 53 79-56	SCREW	1	
21	506 25 75-01	SPRING	1	
22	506 25 68-02	SPLASH GUARD	1	
23	506 35 72-04	HANDLE ASSY	1	Incl. 24, 25, 26, 27, 28
24	506 35 73-02	GRIP	1	
25	506 24 95-01	BLADE GUARD	1	
26	544 13 74-01	PIN	1	
27	503 26 30-22	O-RING	1	
28	740 43 03-00	O-RING	1	

Go to Discount-Equipment.com to order your parts

**F** K3600MkII



Go to Discount-Equipment.com to order your parts

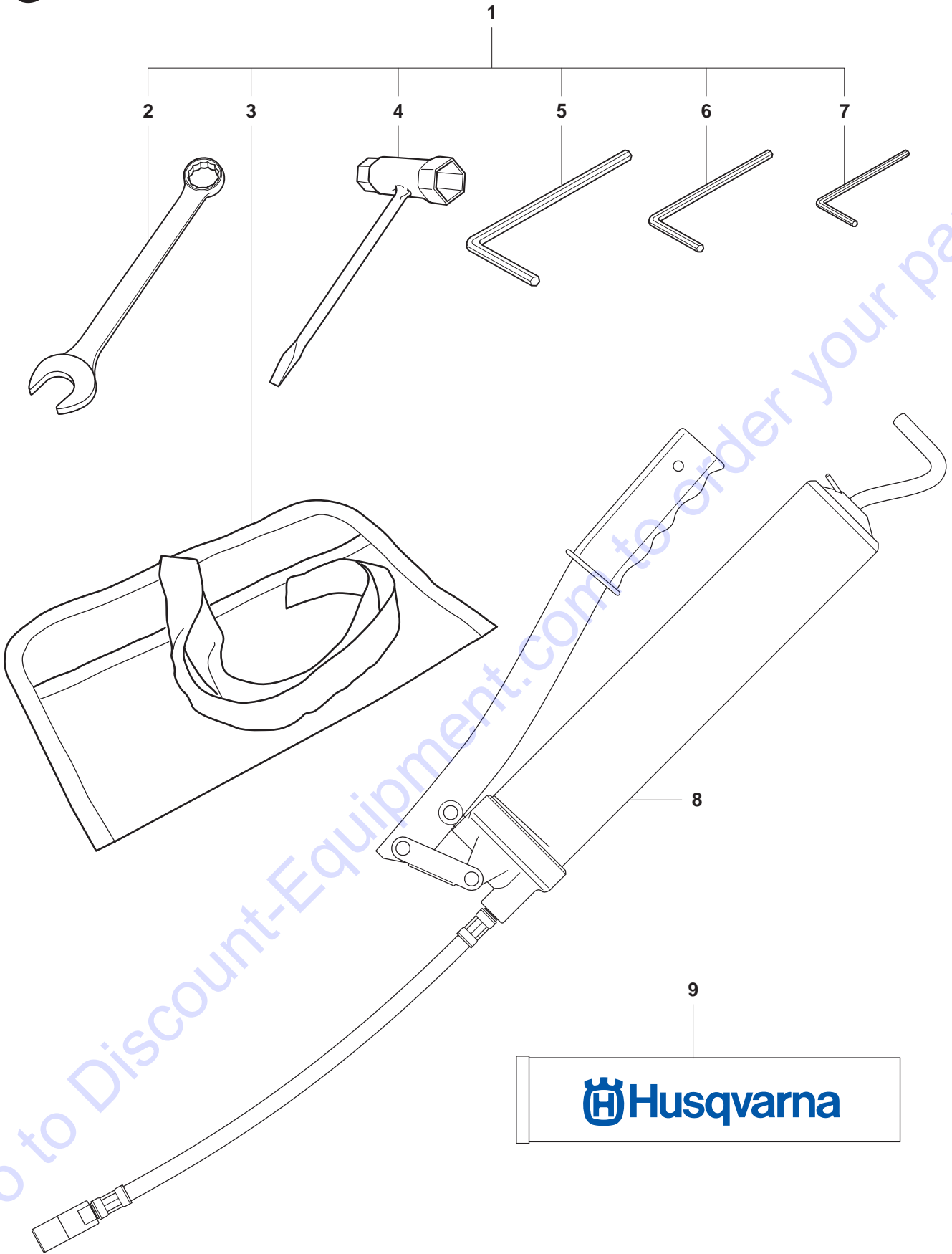
**Page F**  
**K3600 MkII**

Pos.	Part No.	Description	Quantity	Notes
1	506 10 96-21	QUICK COUPLING	1	
2	740 38 34-01	WASHER	2	
3	506 10 95-02	HYDRAULIC HOSE	2	
4	740 38 27-01	WASHER	2	

Go to [Discount-Equipment.com](http://Discount-Equipment.com) to order your parts



**G** K3600MkII



Go to Discount-Equipment.com to order your parts

**Page G**  
**K3600 MkII**

Pos.	Part No.	Description	Quantity	Notes
1	506 36 38-02	TOOL KIT	1	Incl. 2, 3, 4, 5, 6, 7
2	506 35 52-01	KEY	1	19mm
3	501 19 22-01	TOOL CASING	1	
4	501 69 17-02	COMBINATION TOOL	1	13-19mm
5	506 36 36-01	L-SPANNER	1	6mm
6	506 38 37-02	L-SPANNER	1	5mm
7	502 21 58-01	L-SPANNER	1	4mm
8	506 38 49-02	LUBRICATION GUN	1	
9	544 08 04-02	GREASE TUBE	1	

Go to [Discount-Equipment.com](http://Discount-Equipment.com) to order your parts

# PARTS FINDER

**Search Website  
by Part Number**



**Search Manual  
Library For Parts  
Manual & Lookup Part  
Numbers – Purchase  
or Request Quote**

**Search Manuals**

Enter your information to help us find the right parts manual for your equipment.

\* Brand:

\* Model:

\* Serial:

\* Part Number:

SEARCH

**Can't Find Part or  
Manual? Request Help  
by Manufacturer,  
Model & Description**

**Parts Order Form**

Please fill in the following information to help us find the right part for your equipment.

Manufacturer:	<input type="text"/>
Model:	<input type="text"/>
Description:	<input type="text"/>
Part Number:	<input type="text"/>
Quantity:	<input type="text"/>
Notes:	<input type="text"/>

Submit

Discount-Equipment.com is your online resource for quality parts & equipment.

Florida: **561-964-4949** Outside Florida TOLL FREE: **877-690-3101**

**Need parts?**

Click on this link: <http://www.discount-equipment.com/category/5443-parts/> and choose one of the options to help get the right parts and equipment you are looking for. Please have the machine model and serial number available in order to help us get you the correct parts. If you don't find the part on the website or on one of the online manuals, please fill out the request form and one of our experienced staff members will get back to you with a quote for the right part that your machine needs.

We sell worldwide for the brands: Genie, Terex, JLG, MultiQuip, Mikasa, Essick, Whiteman, Mayco, Toro Stone, Diamond Products, Generac Magnum, Airman, Haulotte, Barreto, Power Blanket, Nifty Lift, Atlas Copco, Chicago Pneumatic, Allmand, Miller Curber, Skyjack, Lull, Skytrak, Tsurumi, Husquvarna Target, Stow, Wacker, Sakai, Mi-T-M, Sullair, Basic, Dynapac, MBW, Weber, Bartell, Bennar Newman, Haulotte, Ditch Runner, Menegotti, Morrison, Contec, Buddy, Crown, Edco, Wyco, Bomag, Laymor, EZ Trench, Bil-Jax, F.S. Curtis, Gehl Pavers, Heli, Honda, ICS/PowerGrit, IHI, Partner, Imer, Clipper, MMD, Koshin, Rice, CH&E, General Equipment, Amida, Coleman, NAC, Gradall, Square Shooter, Kent, Stanley, Tamco, Toku, Hatz, Kohler, Robin, Wisconsin, Northrock, Oztec, Toker TK, Rol-Air, APT, Wylie, Ingersoll Rand / Doosan, Innovatech, Con X, Ammann, Mecalac, Makinex, Smith Surface Prep, Small Line, Wanco, Yanmar