



SPARE PARTS LIST

POWER CUTTERS

K3600 MkII, 2009-01

Go to Discount-Equipment.com to order your parts



PARTS FINDER

**Search Website
by Part Number**



**Search Manual
Library For Parts
Manual & Lookup Part
Numbers – Purchase
or Request Quote**

Search Manuals

Enter your information to help us find the right parts manual for your machine.

* Brand:

* Model:

* Serial:

* Part Number:

SEARCH

**Can't Find Part or
Manual? Request Help
by Manufacturer,
Model & Description**

Parts Order Form

Please fill in the following information to help us find the right part for your machine.

Manufacturer:	<input type="text"/>
Model:	<input type="text"/>
Description:	<input type="text"/>
Part Number:	<input type="text"/>
Quantity:	<input type="text"/>
Notes:	<input type="text"/>

Discount-Equipment.com is your online resource for quality parts & equipment.

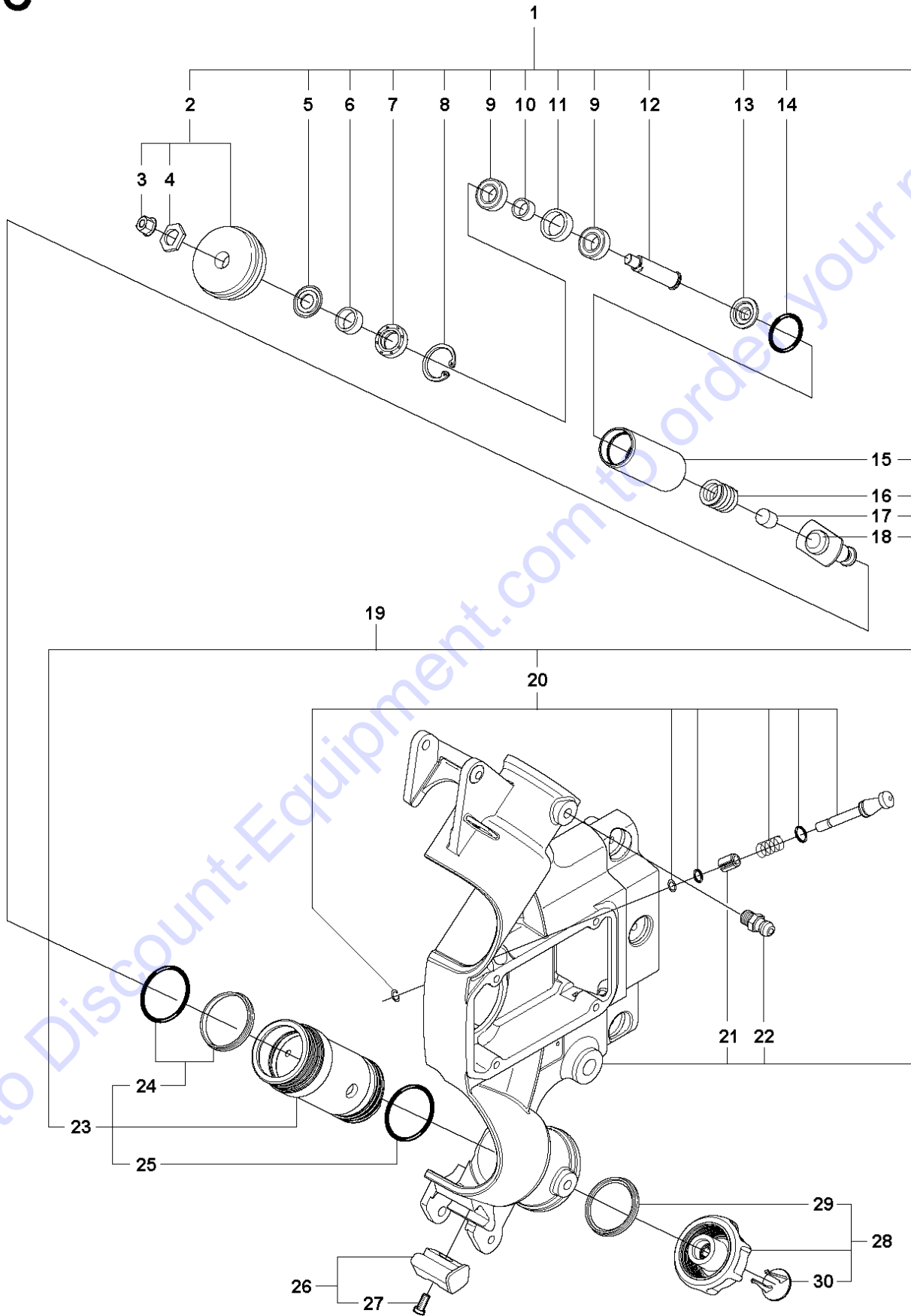
Florida: **561-964-4949** Outside Florida TOLL FREE: **877-690-3101**

Need parts?

Click on this link: <http://www.discount-equipment.com/category/5443-parts/> and choose one of the options to help get the right parts and equipment you are looking for. Please have the machine model and serial number available in order to help us get you the correct parts. If you don't find the part on the website or on one of the online manuals, please fill out the request form and one of our experienced staff members will get back to you with a quote for the right part that your machine needs.

We sell worldwide for the brands: Genie, Terex, JLG, MultiQuip, Mikasa, Essick, Whiteman, Mayco, Toro Stone, Diamond Products, Generac Magnum, Airman, Haulotte, Barreto, Power Blanket, Nifty Lift, Atlas Copco, Chicago Pneumatic, Allmand, Miller Curber, Skyjack, Lull, Skytrak, Tsurumi, Husquvarna Target, Stow, Wacker, Sakai, Mi-T-M, Sullair, Basic, Dynapac, MBW, Weber, Bartell, Bennar Newman, Haulotte, Ditch Runner, Menegotti, Morrison, Contec, Buddy, Crown, Edco, Wyco, Bomag, Laymor, EZ Trench, Bil-Jax, F.S. Curtis, Gehl Pavers, Heli, Honda, ICS/PowerGrit, IHI, Partner, Imer, Clipper, MMD, Koshin, Rice, CH&E, General Equipment, Amida, Coleman, NAC, Gradall, Square Shooter, Kent, Stanley, Tamco, Toku, Hatz, Kohler, Robin, Wisconsin, Northrock, Oztec, Toker TK, Rol-Air, APT, Wylie, Ingersoll Rand / Doosan, Innovatech, Con X, Ammann, Mecalac, Makinex, Smith Surface Prep, Small Line, Wanco, Yanmar

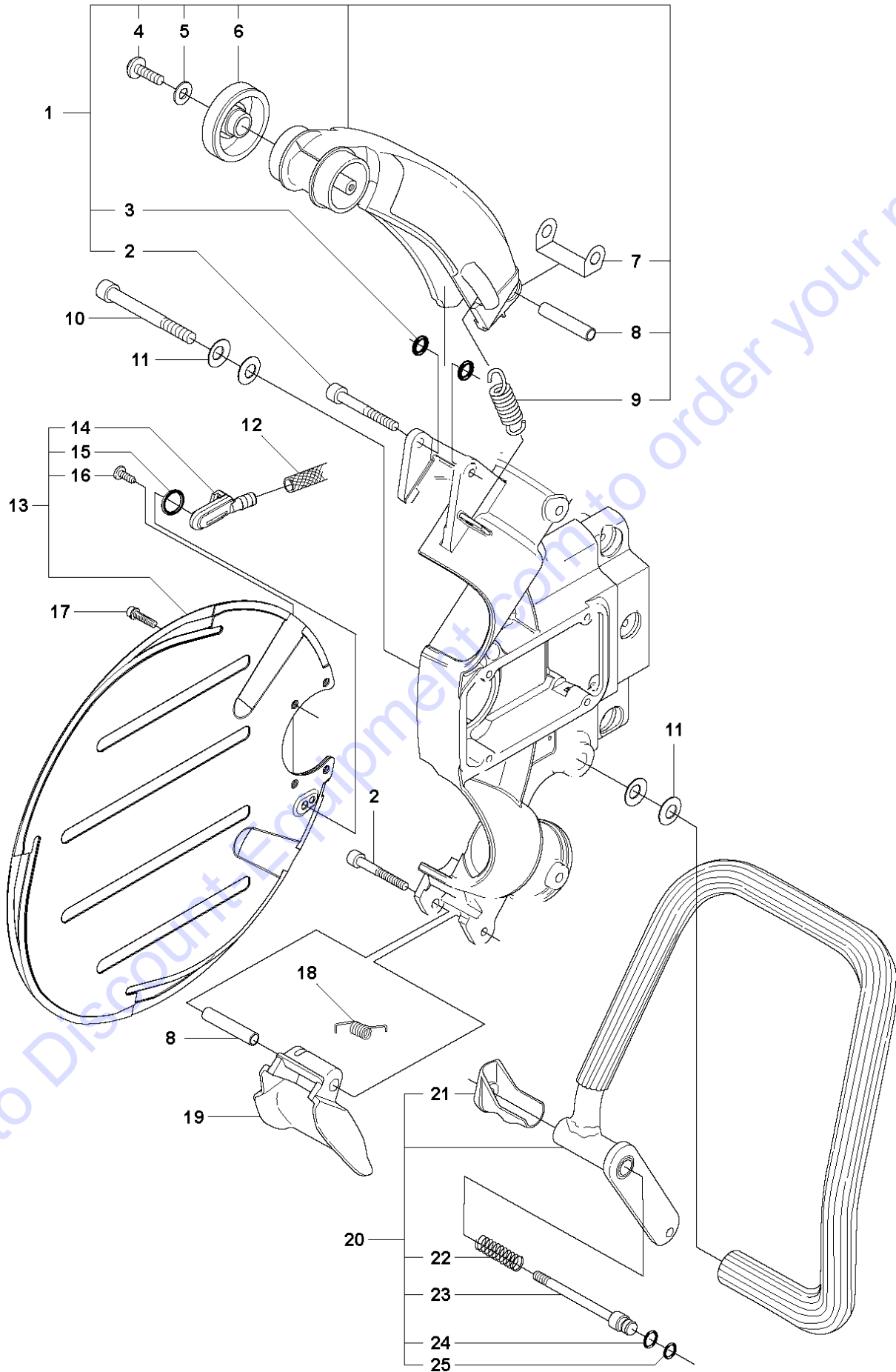
C K3600MkII



Ref	Part no.	Description	Remark	Qty	Kit
1	506 49 34-01	BEARING CAGE	Incl. 2, 5 - 18	2	
1	506 49 34-02	BEARING CAGE	Incl. 2, 5 - 18. Double groove	2	
2	506 35 20-05	GUIDE ROLLER	Incl. 3, 4	1	
2	506 35 20-06	GUIDE ROLLER	Incl. 3, 4. Double groove	1	
3	503 22 04-01	NUT		1	
4	506 30 34-01	DRIVER		1	
5	506 31 69-01	DUST COVER		1	
6	506 37 93-02	SPACING SLEEVE		1	
7	503 26 20-01	SEALING RING		1	
8	735 31 28-10	CIRCLIP		1	
9	503 25 24-01	BALL BEARING		2	
10	506 30 33-01	SPACING SLEEVE		1	
11	506 31 68-01	SPACING SLEEVE		1	
12	506 49 32-01	SHAFT		1	
13	506 38 11-01	CAP		1	
14	740 48 20-12	O-RING		1	
15	506 38 09-01	BEARING CAGE		1	
16	506 34 76-01	COMPRESSION SPRING		1	
17	506 30 35-01	BUMPER		1	
18	506 38 97-01	PIN		1	
19	506 36 83-06	CHASSIS	Incl. 20 - 23	1	
20	506 30 09-01	LOCKING BUTTON		1	
21	721 44 06-00	SPRING PIN		1	
22	738 88 10-01	LUBRICATION NIPPLE		2	
23	544 07 76-01	SLEEVE	Incl. 24 - 25	2	
24	506 34 39-01	WIPER		2	
25	740 48 25-02	O-RING		2	
26	506 35 19-03	WEAR PROTECTION	Incl. 27	1	
27	505 57 41-16	SCREW ITXSCM		1	
28	506 38 22-02	KNOB	Incl. 29 - 30	1	
29	506 33 65-01	SEALING RING		1	
30	506 38 21-02	CAP		1	

Go to Discount-Equipment.com to order your parts

E K3600MkII

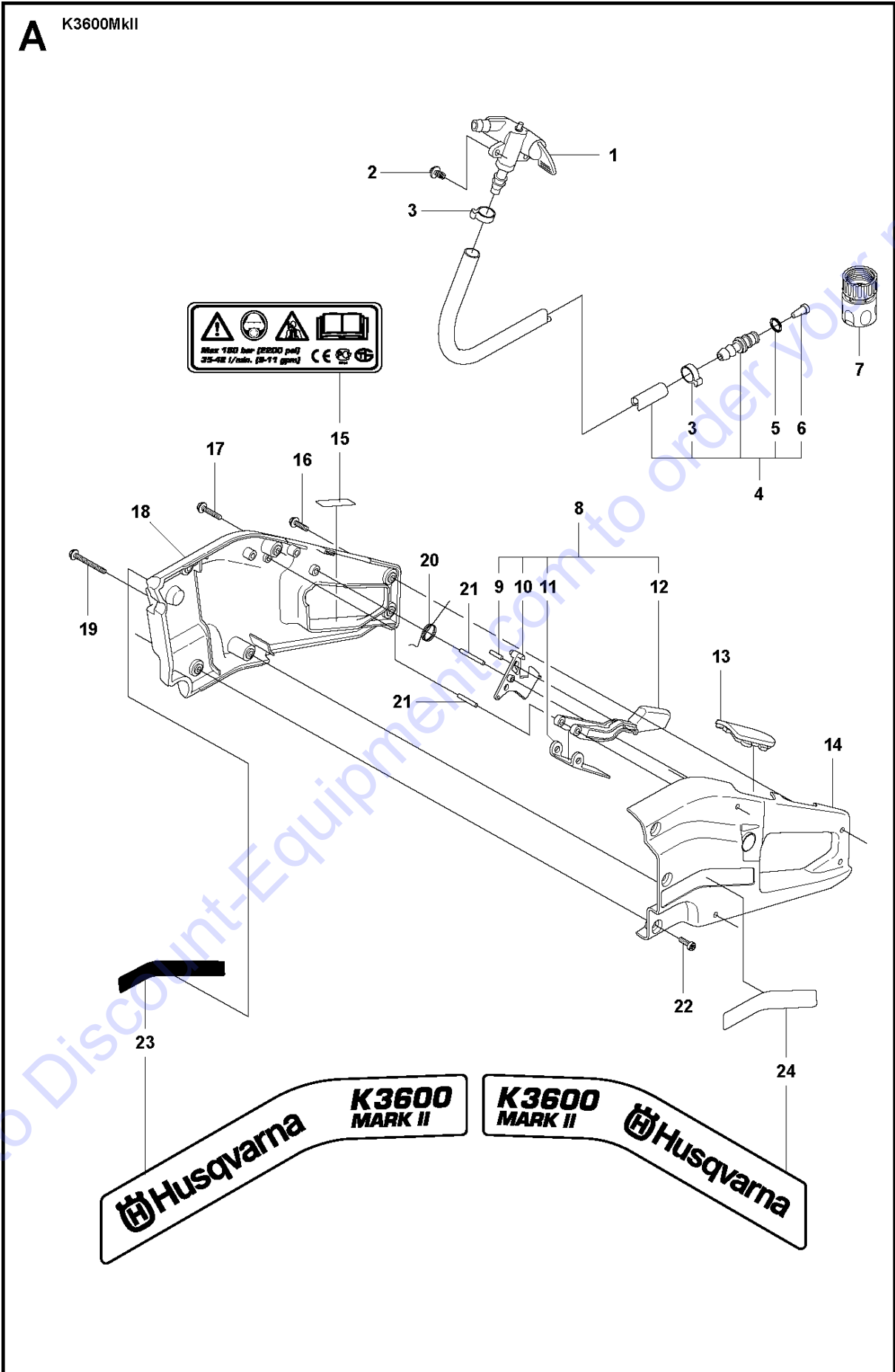


GUARDS

K3600 MkII, 2009-01

Ref	Part no.	Description	Remark	Qty	Kit
1	506 24 69-06	BLADE GUARD	Incl. 2 - 9	1	
2	544 21 84-47	SCREW ITXSCM		2	
3	503 26 30-25	O-RING		2	
4	503 21 46-01	SCREW		2	
5	734 48 80-01	WASHER		2	
6	506 26 22-02	WHEEL		2	
7	506 31 28-01	COVER PLATE		1	
8	506 31 45-01	SPACER TUBE		1	
9	504 11 67-01	SPRING		1	
10	725 54 69-05	SCREW IHSCM		1	
11	506 10 55-01	CUP SPRING		4	
12	501 98 65-01	HOSE		1	
13	506 38 33-02	WATER BLADE	Incl. 14 - 16	1	
14	506 38 29-01	NIPPLE		1	
15	505 10 35-01	O-RING		1	
16	729 52 89-71	SCREW CRPANT		1	
17	505 57 41-16	SCREW ITXSCM		4	
18	506 25 75-01	TORSION SPRING		1	
19	506 25 68-02	SPRAY GUARD		1	
20	506 35 72-04	HANDLE ASSY	Incl. 21 - 25	1	
21	506 35 73-02	GRIP		1	
22	506 24 95-01	SPRING		1	
23	544 13 74-01	PIN		1	
24	503 26 30-22	O-RING		1	
25	740 43 03-00	O-RING		1	

Go to Discount-Equipment.com to order your parts



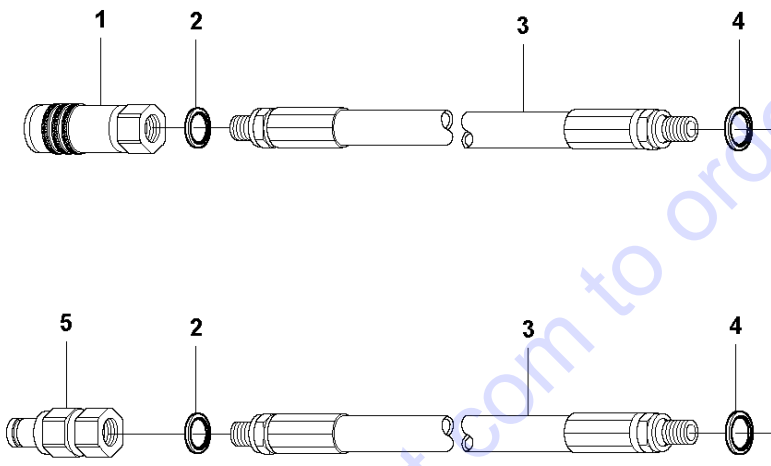
HANDLE

K3600 MkII, 2009-01

Ref	Part no.	Description	Remark	Qty	Kit
1	506 34 94-02	TAP		1	
2	503 21 46-01	SCREW		2	
3	506 49 87-02	HOSE CLAMP		2	
4	506 29 31-04	WATER HOSE KIT	Incl. 5 - 7	1	
5	505 10 35-01	O-RING		1	
6	506 29 88-01	FILTER		1	
7	503 26 60-03	COUPLER	USA	1	
7	503 26 60-04	COUPLER		1	
8	506 37 76-02	THROTTLE TRIGGER	Incl. 9 - 12	1	
9	720 12 71-52	PARALLEL PIN		1	
10	506 20 34-03	THROTTLE TRIGGER		1	
11	506 31 63-01	PLATE		1	
12	506 27 21-02	THROTTLE LOCKOUT		1	
13	506 35 54-03	WINDOW		1	
14	506 24 52-03	HANDLE HALF LEFT		1	
15	544 87 32-01	DECAL		1	
16	503 21 53-16	SCREW ITXSCM		4	
17	503 21 53-26	SCREW ITXSCM		1	
18	506 24 53-03	HANDLE HALF RIGHT		1	
19	503 21 53-41	SCREW ITXSCM		1	
20	506 26 26-01	TORSION SPRING		1	
21	720 13 16-06	PARALLEL PIN		1	
22	503 21 53-12	SCREW ITXSCM		3	
23	544 87 29-01	LABEL		1	
24	544 87 30-01	LABEL		1	
25	720 13 13-06	PARALLEL PIN		1	

Go to Discount-Equipment.com to order your parts

F K3600MkII



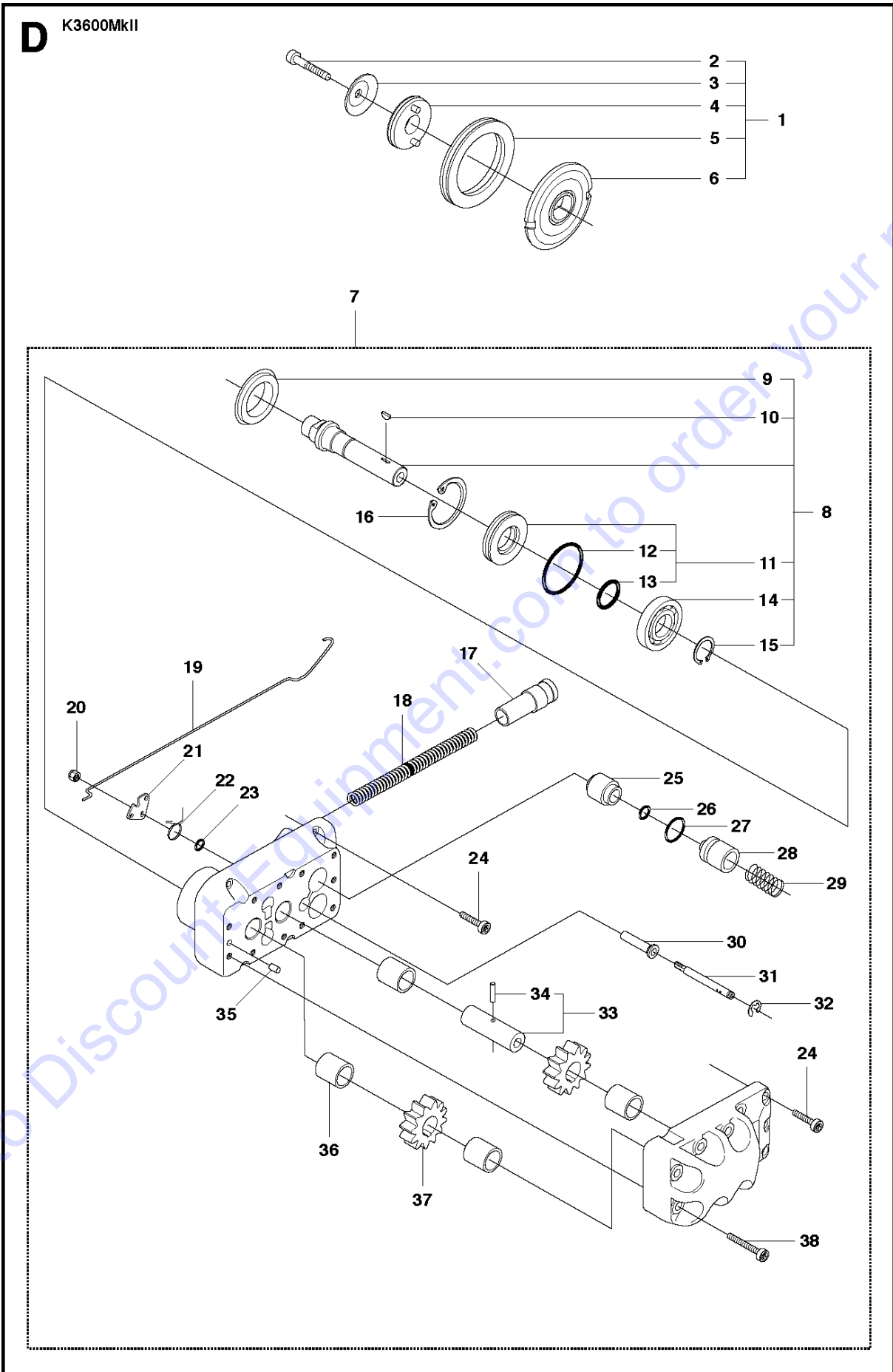
Go to Discount-Equipment.com to order your parts

HOSE

K3600 MkII, 2009-01

Ref	Part no.	Description	Remark	Qty	Kit
1	506 10 96-21	QUICK COUPLING	Female	1	
2	740 38 34-01	SEALING WASHER		2	
3	506 10 95-02	HYDRAULIC HOSE		2	
4	740 38 27-01	SEALING WASHER		2	
5	506 10 98-21	QUICK COUPLING	Male	1	

Go to Discount-Equipment.com to order your parts



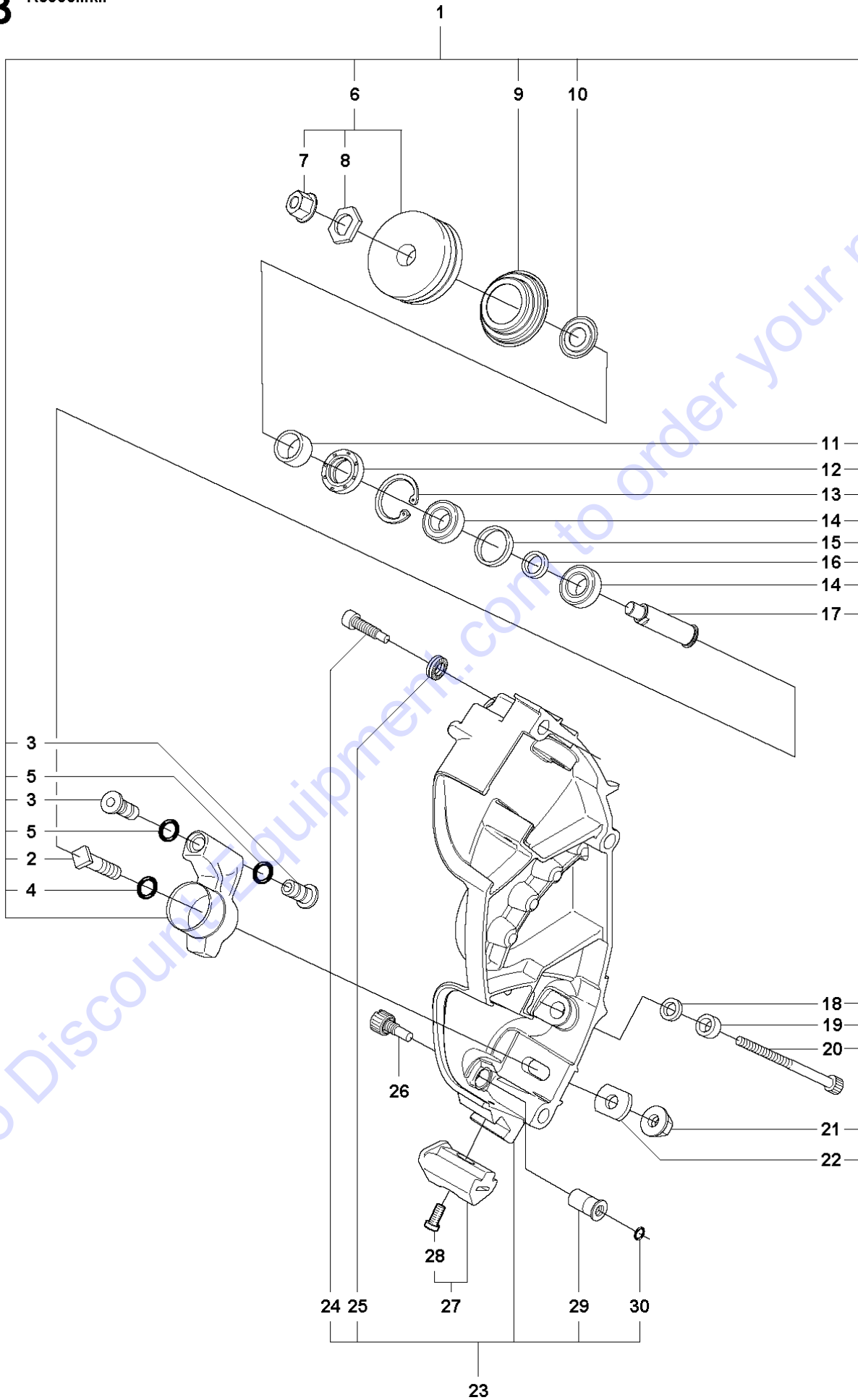
HYDRAULIC PUMP - MOTOR

K3600 MkII, 2009-01

Ref	Part no.	Description	Remark	Qty	Kit
1	506 32 08-04	GEAR WHEEL ASSY	06-feb	1	
2	544 21 84-37	SCREW ITXSCM		1	1
3	506 13 95-12	WASHER		1	1
4	506 31 22-02	DRIVER		1	1
5	506 17 83-04	GEAR WHEEL		1	1
6	506 25 65-02	FLANGE WASHER		1	1
7	544 88 66-02	HYDRAULIC MOTOR		1	
8	506 34 67-14	KIT	9-11, 14, 15	1	7
9	506 27 34-01	SEALING COLLAR		1	7, 8
10	735 88 06-00	WOODRUFF KEY		1	7, 8
11	506 30 11-14	SEALING	13-dec	1	7, 8
12	506 11 03-01	O-RING		1	7, 11
13	503 26 30-28	O-RING		1	7, 11
14	738 22 01-25	BALL BEARING		1	7, 8
15	735 31 14-00	CIRCLIP		1	7, 8
16	735 31 31-10	CIRCLIP		1	7
17	506 21 82-01	PLUNGE		1	7
18	506 21 83-01	SPRING		1	7
19	506 35 95-01	THROTTLE ROD		1	7
20	732 25 12-01	HEXAGON LOCKING NUT		1	7
21	506 20 31-01	LEVER		1	7
22	506 20 38-01	SPRING		1	7
23	740 43 02-00	O-RING		1	7
24	503 21 53-20	SCREW ITXSCM		9	7
25	506 21 85-01	VALVE SEAT		1	7
26	740 42 03-00	O-RING		1	7
27	740 43 11-00	O-RING		1	7
28	506 21 80-01	VALVE CONE		1	7
29	506 21 81-01	SPRING		1	7
30	506 21 60-01	VALVE SLEEVE		1	7
31	506 21 59-01	VALVE SPINDLE		1	7
32	735 31 08-20	E-CLIP		1	7
33	506 32 00-01	SHAFT		1	7
34	503 24 07-01	PARALLEL PIN		6	7
35	501 27 08-01	GUIDE BUSHING	36,37	1	7
36	506 11 05-01	BEARING		4	7
37	506 22 96-09	GEAR WHEEL		1	7
38	503 21 53-30	SCREW ITXSCM		1	7

Go to Discount-Equipment.com to order your parts

B K3600MkII



Go to DiscountEquipment.com to order your parts

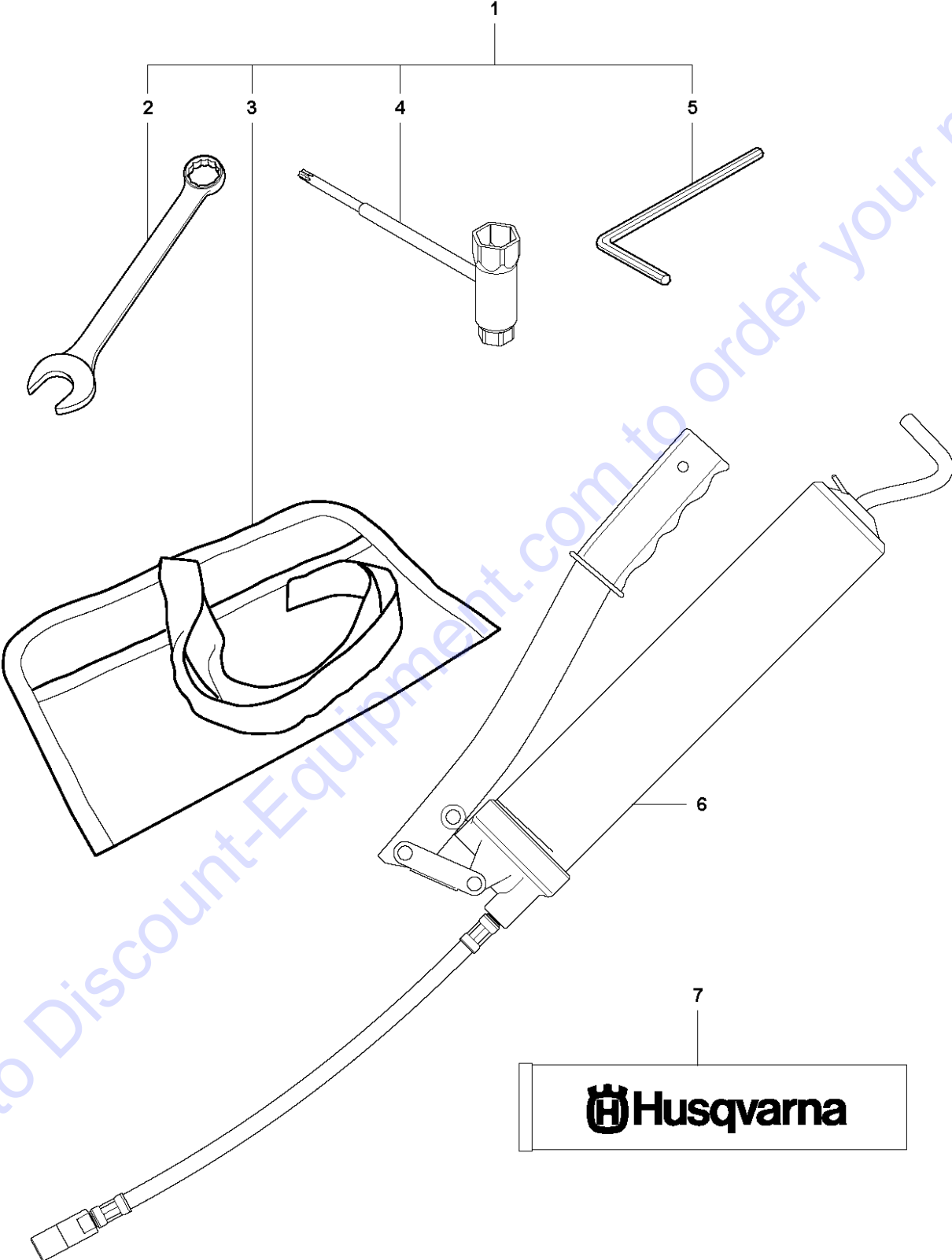
LEVER

K3600 MkII, 2009-01

Ref	Part no.	Description	Remark	Qty	Kit
1	506 35 18-07	LEVER ASSY	Incl. 2 - 6, 9 - 22	2	
2	506 34 64-01	SCREW		1	
3	506 33 49-03	SPACER TUBE		2	
4	503 26 30-08	O-RING		1	
5	503 26 30-26	O-RING		2	
6	506 35 21-03	SUPPORT ROLLER	Incl. 7, 8	1	
7	503 22 04-01	NUT		1	
8	506 30 34-01	DRIVER		1	
9	506 39 95-01	SEALING		1	
10	506 32 17-01	WASHER		1	
11	506 37 93-02	SPACING SLEEVE		1	
12	503 26 20-01	SEALING RING		1	
13	735 31 28-10	CIRCLIP		1	
14	503 25 24-01	BALL BEARING		2	
15	506 31 68-02	SPACING SLEEVE		1	
16	506 30 33-02	SPACING SLEEVE		1	
17	506 49 32-02	SHAFT		1	
18	506 37 63-01	SPACER		1	
19	506 37 64-01	RUBBER BUSHING		1	
20	544 21 84-55	SCREW ITXSCM		1	
21	503 22 00-01	HEXAGON NUT FLANGE		1	
22	506 34 63-01	WASHER		1	
23	521 91 50-02	COVER	Incl. 24 - 25, 29 - 30	1	
24	503 20 54-35	SCREW IHSCMO		3	
25	503 23 04-03	WASHER		3	
26	505 57 49-01	ADJUSTING WHEEL		2	
27	506 35 19-03	WEAR PROTECTION	Incl. 28	1	
28	505 57 41-16	SCREW ITXSCM		1	
29	506 33 08-01	THREAD BUSHING		2	
30	740 42 04-00	O-RING		2	

Go to Discount-Equipment.com to order your parts

G K3600MkII



Go to Discount-Equipment.com to order your parts

TOOLS

K3600 MkII, 2009-01

Ref	Part no.	Description	Remark	Qty	Kit
1	506 36 38-04	TOOL	Incl. 2 - 5	1	
2	506 35 52-01	SPANNER	19mm	1	
3	501 19 22-01	TOOL CASING		1	
4	506 38 26-01	COMBINATION TOOL	13-19mm	1	
5	506 36 36-01	ALLEN KEY	6mm	1	
6	506 38 49-02	LUBRICATION GUN		1	
7	544 08 04-02	GREASE		1	

Go to Discount-Equipment.com to order your parts

PARTS FINDER

**Search Website
by Part Number**



**Search Manual
Library For Parts
Manual & Lookup Part
Numbers – Purchase
or Request Quote**

Search Manuals

Enter your information to help us find the right parts manual for your machine.

* Brand:

* Model:

* Serial:

* Part Number:

SEARCH

**Can't Find Part or
Manual? Request Help
by Manufacturer,
Model & Description**

Parts Order Form

Please fill in the following information to help us find the right part for your machine.

Manufacturer:	<input type="text"/>
Model:	<input type="text"/>
Description:	<input type="text"/>
Part Number:	<input type="text"/>
Quantity:	<input type="text"/>
Notes:	<input type="text"/>

Submit

Discount-Equipment.com is your online resource for quality parts & equipment.

Florida: **561-964-4949** Outside Florida TOLL FREE: **877-690-3101**

Need parts?

Click on this link: <http://www.discount-equipment.com/category/5443-parts/> and choose one of the options to help get the right parts and equipment you are looking for. Please have the machine model and serial number available in order to help us get you the correct parts. If you don't find the part on the website or on one of the online manuals, please fill out the request form and one of our experienced staff members will get back to you with a quote for the right part that your machine needs.

We sell worldwide for the brands: Genie, Terex, JLG, MultiQuip, Mikasa, Essick, Whiteman, Mayco, Toro Stone, Diamond Products, Generac Magnum, Airman, Haulotte, Barreto, Power Blanket, Nifty Lift, Atlas Copco, Chicago Pneumatic, Allmand, Miller Curber, Skyjack, Lull, Skytrak, Tsurumi, Husquvarna Target, Stow, Wacker, Sakai, Mi-T-M, Sullair, Basic, Dynapac, MBW, Weber, Bartell, Bennar Newman, Haulotte, Ditch Runner, Menegotti, Morrison, Contec, Buddy, Crown, Edco, Wyco, Bomag, Laymor, EZ Trench, Bil-Jax, F.S. Curtis, Gehl Pavers, Heli, Honda, ICS/PowerGrit, IHI, Partner, Imer, Clipper, MMD, Koshin, Rice, CH&E, General Equipment, Amida, Coleman, NAC, Gradall, Square Shooter, Kent, Stanley, Tamco, Toku, Hatz, Kohler, Robin, Wisconsin, Northrock, Oztec, Toker TK, Rol-Air, APT, Wylie, Ingersoll Rand / Doosan, Innovatech, Con X, Ammann, Mecalac, Makinex, Smith Surface Prep, Small Line, Wanco, Yanmar