

## K2500

Reservdelar

Spare parts

Ersatzteile

Pieces de rechange

Piezas de repuesto

Ricambi

Peças sobresselente

# PARTS FINDER

**Search Website  
by Part Number**



**Search Manual  
Library For Parts  
Manual & Lookup Part  
Numbers – Purchase  
or Request Quote**

**Search Manuals**

Enter your information to help us find the right manual for your machine.

\* Brand:

\* Model:

\* Serial:

\* Part Number:

SEARCH

**Can't Find Part or  
Manual? Request Help  
by Manufacturer,  
Model & Description**

**Parts Order Form**

Please fill in the following information to help us find the right part for your machine.

Manufacturer:	<input type="text"/>
Model:	<input type="text"/>
Description:	<input type="text"/>
Part Number:	<input type="text"/>
Quantity:	<input type="text"/>
Notes:	<input type="text"/>

Discount-Equipment.com is your online resource for quality parts & equipment.

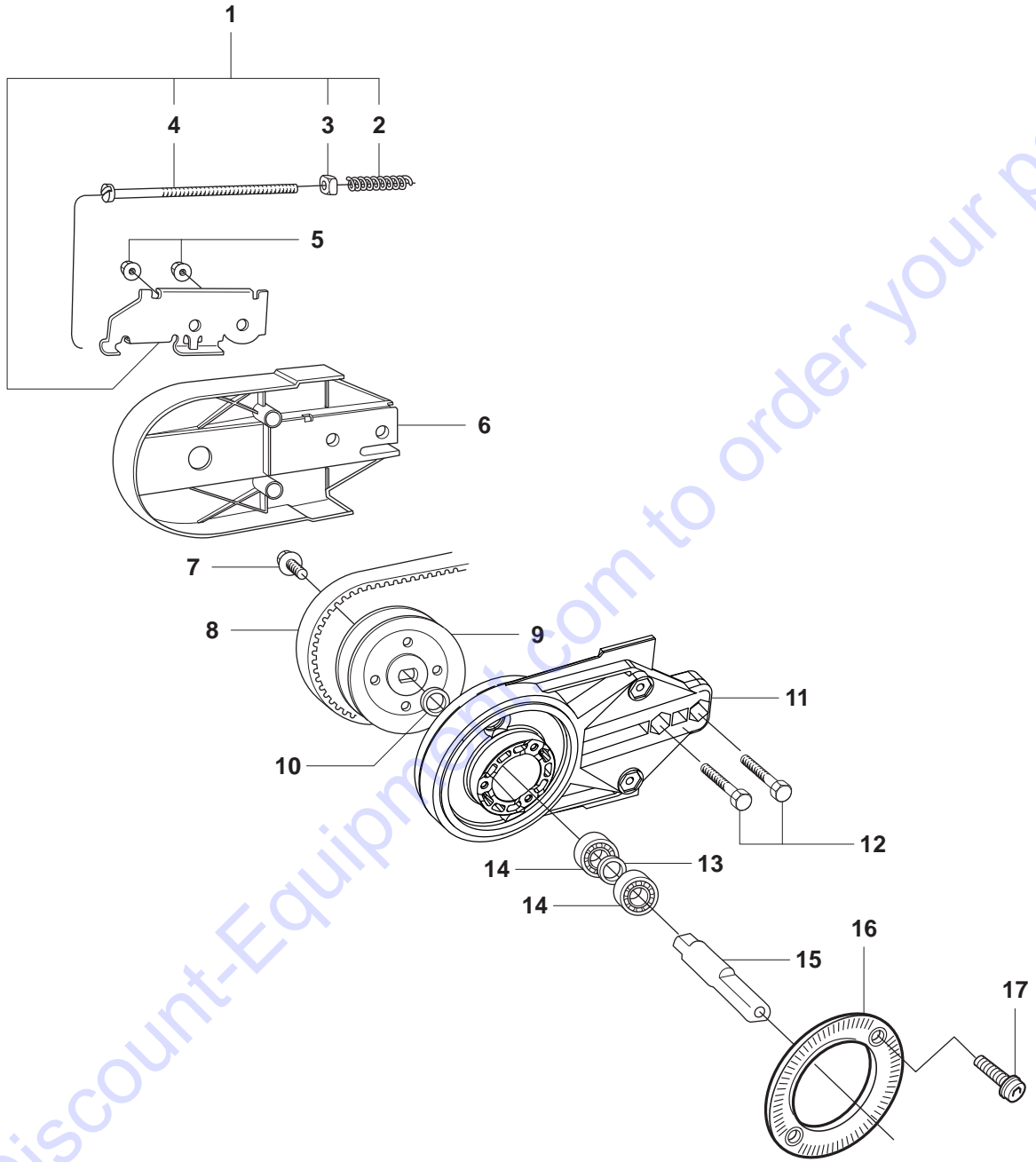
Florida: **561-964-4949** Outside Florida TOLL FREE: **877-690-3101**

**Need parts?**

Click on this link: <http://www.discount-equipment.com/category/5443-parts/> and choose one of the options to help get the right parts and equipment you are looking for. Please have the machine model and serial number available in order to help us get you the correct parts. If you don't find the part on the website or on one of the online manuals, please fill out the request form and one of our experienced staff members will get back to you with a quote for the right part that your machine needs.

We sell worldwide for the brands: Genie, Terex, JLG, MultiQuip, Mikasa, Essick, Whiteman, Mayco, Toro Stone, Diamond Products, Generac Magnum, Airman, Haulotte, Barreto, Power Blanket, Nifty Lift, Atlas Copco, Chicago Pneumatic, Allmand, Miller Curber, Skyjack, Lull, Skytrak, Tsurumi, Husquvarna Target, Stow, Wacker, Sakai, Mi-T-M, Sullair, Basic, Dynapac, MBW, Weber, Bartell, Bennar Newman, Haulotte, Ditch Runner, Menegotti, Morrison, Contec, Buddy, Crown, Edco, Wyco, Bomag, Laymor, EZ Trench, Bil-Jax, F.S. Curtis, Gehl Pavers, Heli, Honda, ICS/PowerGrit, IHI, Partner, Imer, Clipper, MMD, Koshin, Rice, CH&E, General Equipment, Amida, Coleman, NAC, Gradall, Square Shooter, Kent, Stanley, Tamco, Toku, Hatz, Kohler, Robin, Wisconsin, Northrock, Oztec, Toker TK, Rol-Air, APT, Wylie, Ingersoll Rand / Doosan, Innovatech, Con X, Ammann, Mecalac, Makinex, Smith Surface Prep, Small Line, Wanco, Yanmar

No.	Pos.	Description	No.	Pos.	Description
501 62 89-09	C	HANDLE INSERT	506 29 88-01	F	FILTER
501 69 17-02	G	COMBINATION TOOL	506 30 11-07	D	SEALING
502 21 58-01	G	L-NYCKEL	506 31 77-31	F	VALVE ASSY
503 20 00-45	A	SCREW COLLAR	506 32 00-02	D	SHAFT
503 20 02-12	A	SCREW	506 32 48-01	B	SUPPORT FLANGE
503 20 02-16	C	SCREW	506 32 87-01	F	Y-TUBE
503 20 02-20	D	SCREW	506 34 46-02	B	HANDLE
503 20 02-40	C	SCREW	506 34 67-05	D	KIT
503 20 02-45	D	SCREW	506 35 47-01	A	PULLEY
503 20 13-30	D	SCREW	506 37 27-27	A	BELT
503 20 30-09	A	SCREW	506 37 96-20	B	BUSHING
503 21 06-19	F	SCREW	506 37 96-22	B	BUSHING
503 21 28-10	C	SCREW	506 37 96-25	B	BUSHING
503 22 00-01	A	NUT FLANGE	506 38 59-04	F	HOSE
503 22 65-04	C	NUT	506 38 95-02	B	WHEEL GUARD
503 22 66-01	A	NUT	506 40 43-02	A	BEARING HOUSING
503 23 00-24	D	WASHER STEEL	544 00 31-03	F	WATER HOSE KIT
503 23 01-04	A	WASHER STEEL	544 21 63-01	C	BRACKET
503 23 04-02	C	WASHER	544 42 02-01	D	SEALING
503 240 7-01	D	PIN	720 13 10-00	C	PIN
503 25 21-01	A	BALL BEARING	724 32 19-05	C	SCREW
503 26 30-21	F	O-RING	725 53 27-55	C	SCREW
503 26 60-02	CF	COUPLER	725 53 29-55	B	SCREW
506 01 45-06	C	THROTTLE LOCKOUT	725 53 31-55	BD	SCREW
506 02 87-01	B	FLANGE WASHER	725 53 41-55	C	SCREW
506 02 88-30	B	BUSHING	732 25 12-01	D	NUT
506 03 06-02	A	BELT TENSIONER ASSY	735 31 08-20	D	E-RING
506 03 32-02	A	SCREW	735 31 14-00	D	CIRCLIP
506 07 09-01	B	WASHER	735 31 31-10	D	CIRCLIP
506 09 56-02	F	HOSE CLAMP	735 88 06-00	D	WOODRUFF KEY
506 09 75-02	F	HOSE	738 22 01-25	D	BALL BEARING
506 09 87-02	A	BELT GUARD	740 38 27-01	E	WASHER
506 10 95-02	E	HYDRAULIC HOSE	740 38 34-01	E	WASHER
506 10 96-21	E	QUICK COUPLING FEMALE	740 42 03-00	D	O-RING
506 10 98-21	E	QUICK COUPLING MALE	740 43 02-00	D	O-RING
506 11 03-01	D	O-RING	740 43 11-00	D	O-RING
506 11 05-01	D	BEARING			
506 13 95-11	B	WASHER			
506 13 96-01	B	COLLAR SCREW			
506 19 87-06	D	HYDRAULIC MOTOR			
506 20 16-02	C	HANDLE HALF			
506 20 18-01	A	SPACING SLEEVE			
506 20 27-02	D	SUPPORT FLANGE			
506 20 28-02	C	BELT GUARD			
506 20 29-03	C	FRONT HANDLE			
506 20 31-01	D	LEVER			
506 20 33-01	C	THROTTLE ROD			
506 20 34-03	C	THROTTLE TRIGGER			
506 20 36-02	C	CHASSIS			
506 20 38-01	D	SPRING			
506 21 16-01	D	PULLEY			
506 21 59-01	D	VALVE SPINDLE			
506 21 60-01	D	VALVE SLEEVE			
506 21 80-01	D	VALVE CONE			
506 21 81-01	D	SPRING			
506 21 82-01	D	PLUNGE			
506 21 83-01	D	SPRING			
506 21 85-01	D	VALVE SEAT			
506 21 95-01	A	COMPRESSION SPRING			
506 23 09-03	D	HOUSING			
506 23 35-01	D	HOUSING			
506 26 63-02	B	LINING			
506 26 64-01	B	SCREEN PATTERN FLANG			
506 26 65-01	B	FLANGE			
506 28 41-22	B	LABEL			
506 28 41-24	B	LABEL			
506 28 84-01	A	SCREEN PATTERN FLANG			
506 29 56-01	F	NIPPLE			
506 29 57-02	F	NIPPLE			
506 29 83-71	A	SHAFT			



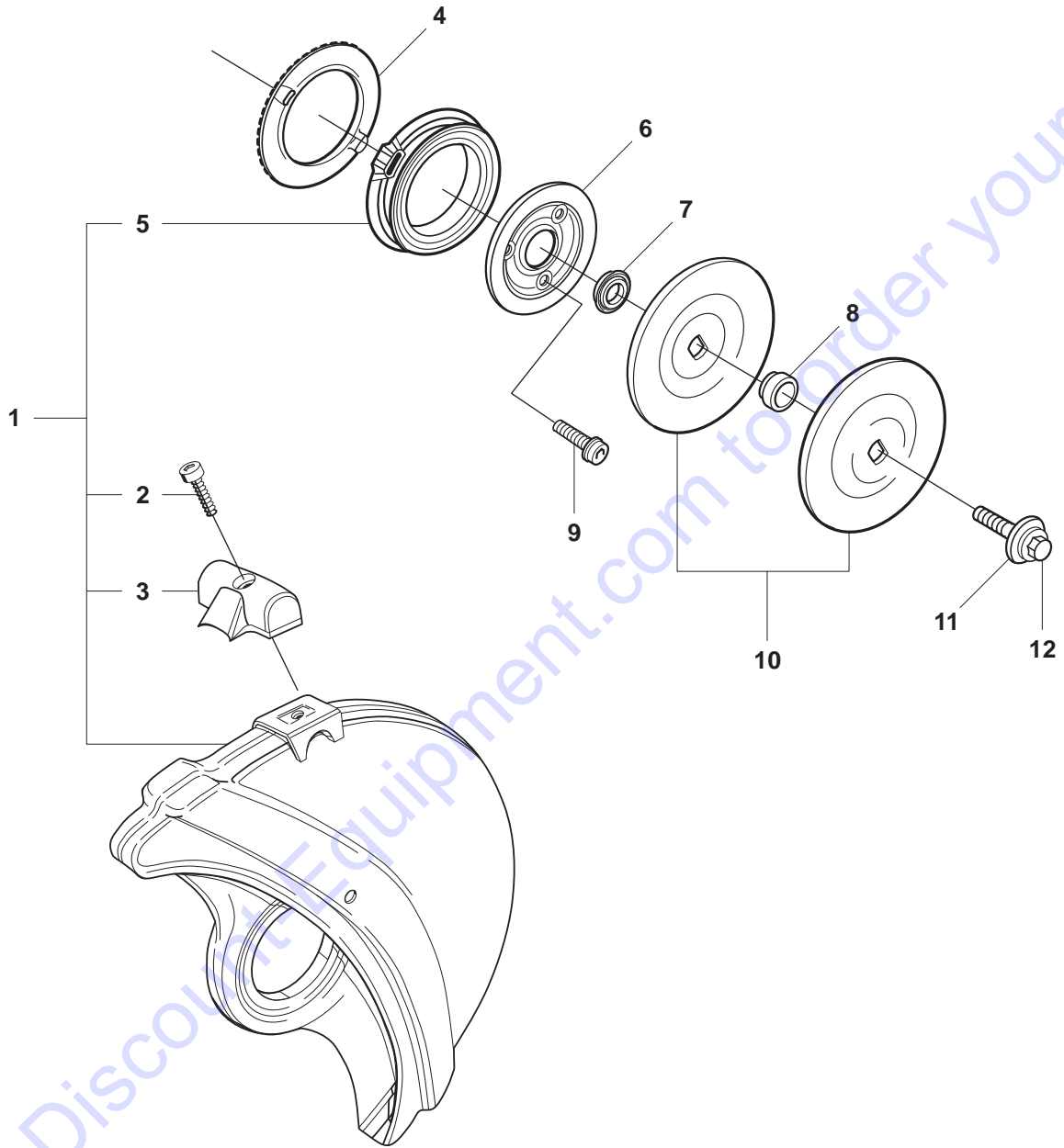
Go to Discount-Equipment.com to order your parts

**Page A**  
**K2500**

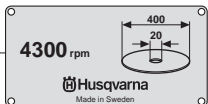
Pos.	Part No.	Description	Quantity	Notes
1	506 03 06-02	BELT TENSIONER ASSY	1	Incl. 2, 3, 4
2	506 21 95-01	COMPRESSION SPRING	1	
3	503 22 66-01	NUT	1	
4	503 20 30-09	SCREW	1	
5	503 22 00-01	NUT FLANGE	2	
6	506 09 87-02	BELT GUARD	1	
7	503 20 00-45	SCREW COLLAR	1	
8	506 37 27-27	BELT	1	
9	506 35 47-01	PULLEY	1	
10	503 23 01-04	WASHER STEEL	1	
11	506 40 43-02	BEARING HOUSING	1	
12	506 03 32-02	SCREW	2	
13	506 20 18-01	SPACING SLEEVE	1	
14	503 25 21-01	BALL BEARING	2	
15	506 29 83-71	SHAFT	1	
16	506 28 84-01	SCREEN PATTERN FLANG	1	
17	503 20 02-12	SCREW	1	

Go to Discount-Equipment.com to order your parts

**B** K2500



13



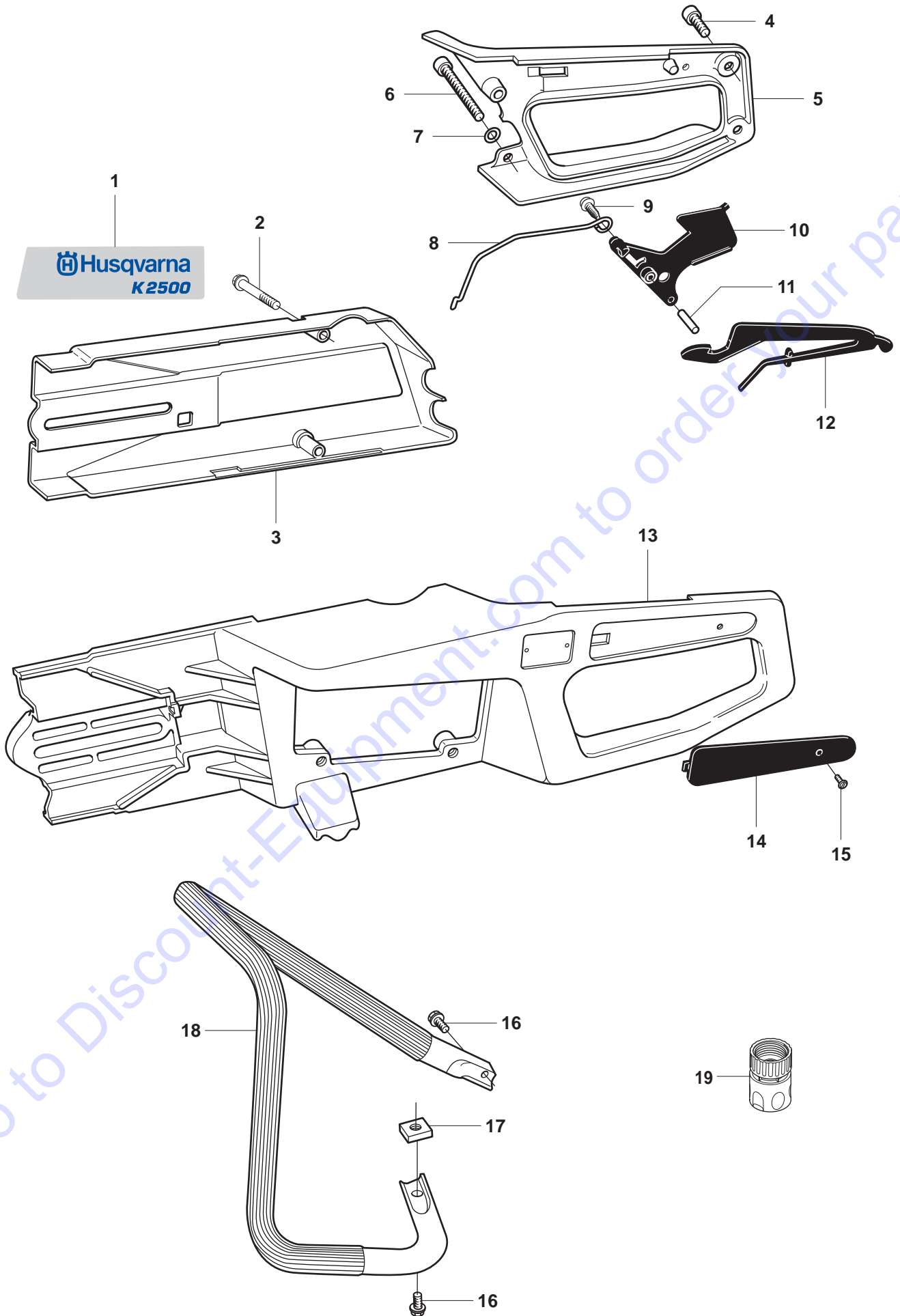
**Page B**  
**K2500**

Pos.	Part No.	Description	Quantity	Notes
1	506 38 95-02	WHEEL GUARD	1	Incl. 2, 3, 5
2	725 53 31-55	SCREW	1	
3	506 34 46-02	HANDLE	1	
4	506 26 64-01	SCREEN PATTERN FLANG	1	
5	506 26 63-02	LINING	1	
6	506 26 65-01	FLANGE	1	
7	506 32 48-01	SUPPORT FLANGE	1	
8	506 37 96-20	BUSHING	1	Diam 20mm
8	506 37 96-22	BUSHING	1	Diam 22,2mm
8	506 37 96-25	BUSHING	1	Diam 25,4mm
8	506 02 88-30	BUSHING	1	Diam 30,5mm
9	725 53 29-55	SCREW	1	
10	506 02 87-01	FLANGE WASHER	1	Diam 105mm
10	506 07 09-01	WASHER	1	Diam 119mm
11	506 13 95-11	WASHER	1	
12	506 13 96-01	COLLAR SCREW	1	
13	506 28 41-22	LABEL	1	Diam 20mm
13	506 28 41-24	LABEL	1	Diam 25,4mm

Go to Discount-Equipment.com to order your parts

C K2500

Husqvarna  
K2500



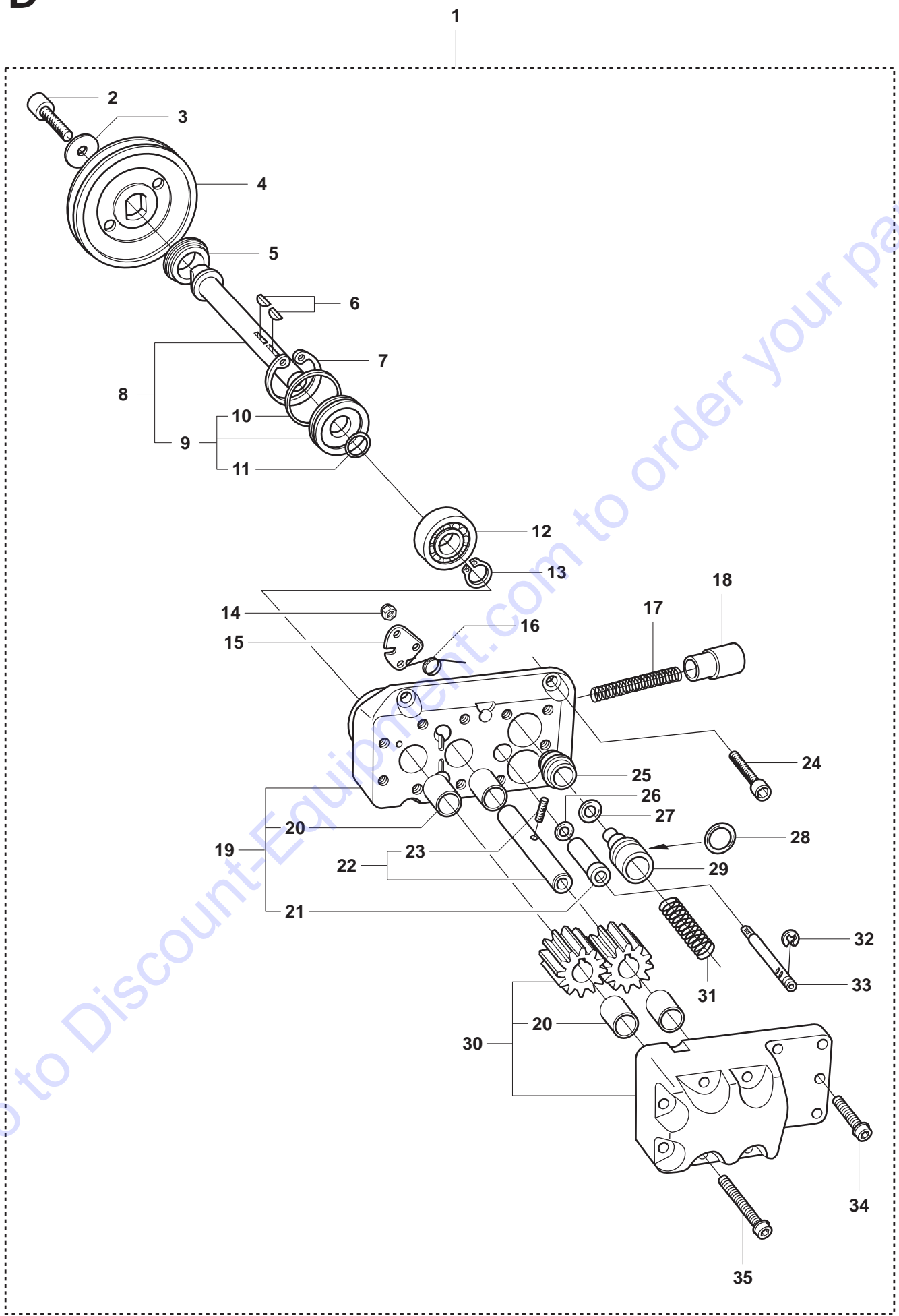


**Page C**  
**K2500**

Pos.	Part No.	Description	Quantity	Notes
1	544 21 63-01	BRACKET	1	
2	503 20 02-40	SCREW	2	
3	506 20 28-02	BELT GUARD	1	
4	725 53 27-55	SCREW	2	
5	506 20 16-02	HANDLE HALF	1	
6	725 53 41-55	SCREW	1	
7	503 23 04-02	WASHER	1	
8	506 20 33-01	THROTTLE ROD	1	
9	503 21 28-10	SCREW	1	
10	506 20 34-03	THROTTLE TRIGGER	1	
11	720 13 10-00	PIN	1	
12	506 01 45-06	THROTTLE LOCKOUT	1	
13	506 20 36-02	CHASSIS	1	
14	501 62 89-09	HANDLE INSERT	2	
15	724 32 19-05	SCREW	2	
16	503 20 02-16	SCREW	2	
17	503 22 65-04	NUT	1	
18	506 20 29-03	FRONT HANDLE	1	
19	503 26 60-02	COUPLER	1	

Go to Discount-Equipment.com to order your parts

**D** K2500

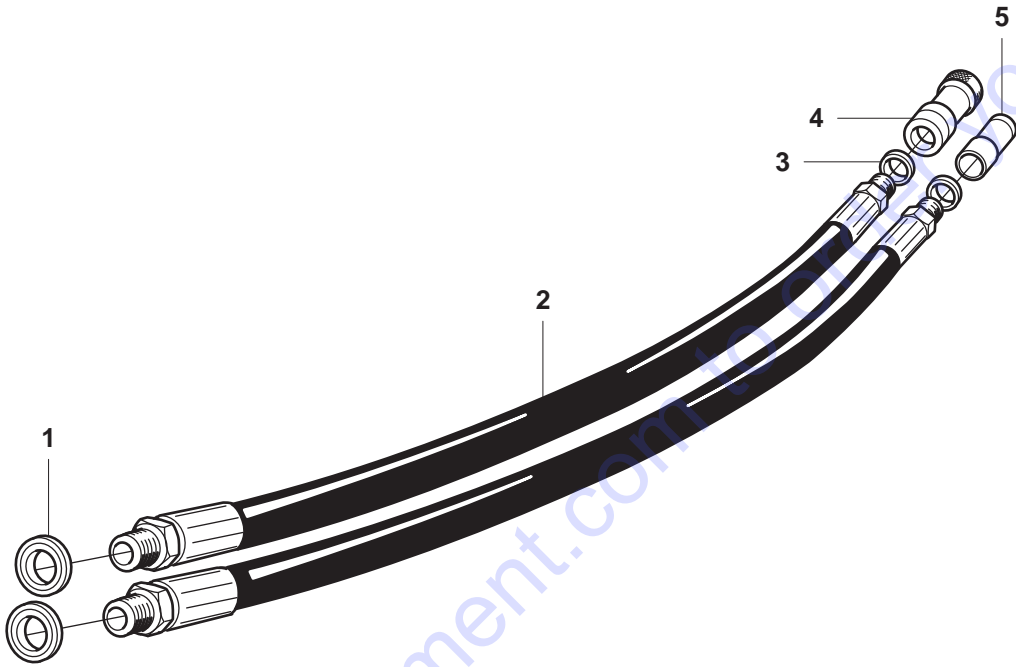


Go to Discount-Equipment.com to order your parts

**Page D**  
**K2500**

Pos.	Part No.	Description	Quantity	Notes
1	506 19 87-06	HYDRAULIC MOTOR	1	Incl. 2 - 36
2	503 20 13-30	SCREW	1	
3	503 23 00-24	WASHER STEEL	1	
4	506 21 16-01	PULLEY	1	
5	506 20 27-02	SUPPORT FLANGE	1	
6	735 88 06-00	WOODRUFF KEY	2	
7	735 31 31-10	CIRCLIP	1	
8	506 34 67-05	KIT	1	Incl. 9
9	506 30 11-07	SEALING	1	Incl. 10, 11
10	506 11 03-01	O-RING	1	
11	544 42 02-01	SEALING	1	
12	738 22 01-25	BALL BEARING	1	
13	735 31 14-00	CIRCLIP	1	
14	732 25 12-01	NUT	1	
15	506 20 31-01	LEVER	1	
16	506 20 38-01	SPRING	1	
17	506 21 83-01	SPRING	1	
18	506 21 82-01	PLUNGE	1	
19	506 23 35-01	HOUSING	1	Incl. 20, 21
20	506 11 05-01	BEARING	4	
21	506 21 60-01	VALVE SLEEVE	1	
22	506 32 00-02	SHAFT	1	Incl. 23
23	503 240 7-01	PIN	1	
24	725 53 31-55	SCREW	4	
25	506 21 85-01	VALVE SEAT	1	
26	740 43 02-00	O-RING	1	
27	740 42 03-00	O-RING	1	
28	740 43 11-00	O-RING	1	
29	506 21 80-01	VALVE CONE	1	
30	506 23 09-03	HOUSING	2	Incl. 20
31	506 21 81-01	SPRING	1	
32	735 31 08-20	E-RING	1	
33	506 21 59-01	VALVE SPINDLE	1	
34	503 20 02-20	SCREW	5	
35	503 20 02-45	SCREW	6	

Go to Disc... Equipment.com to order your parts



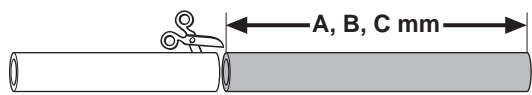
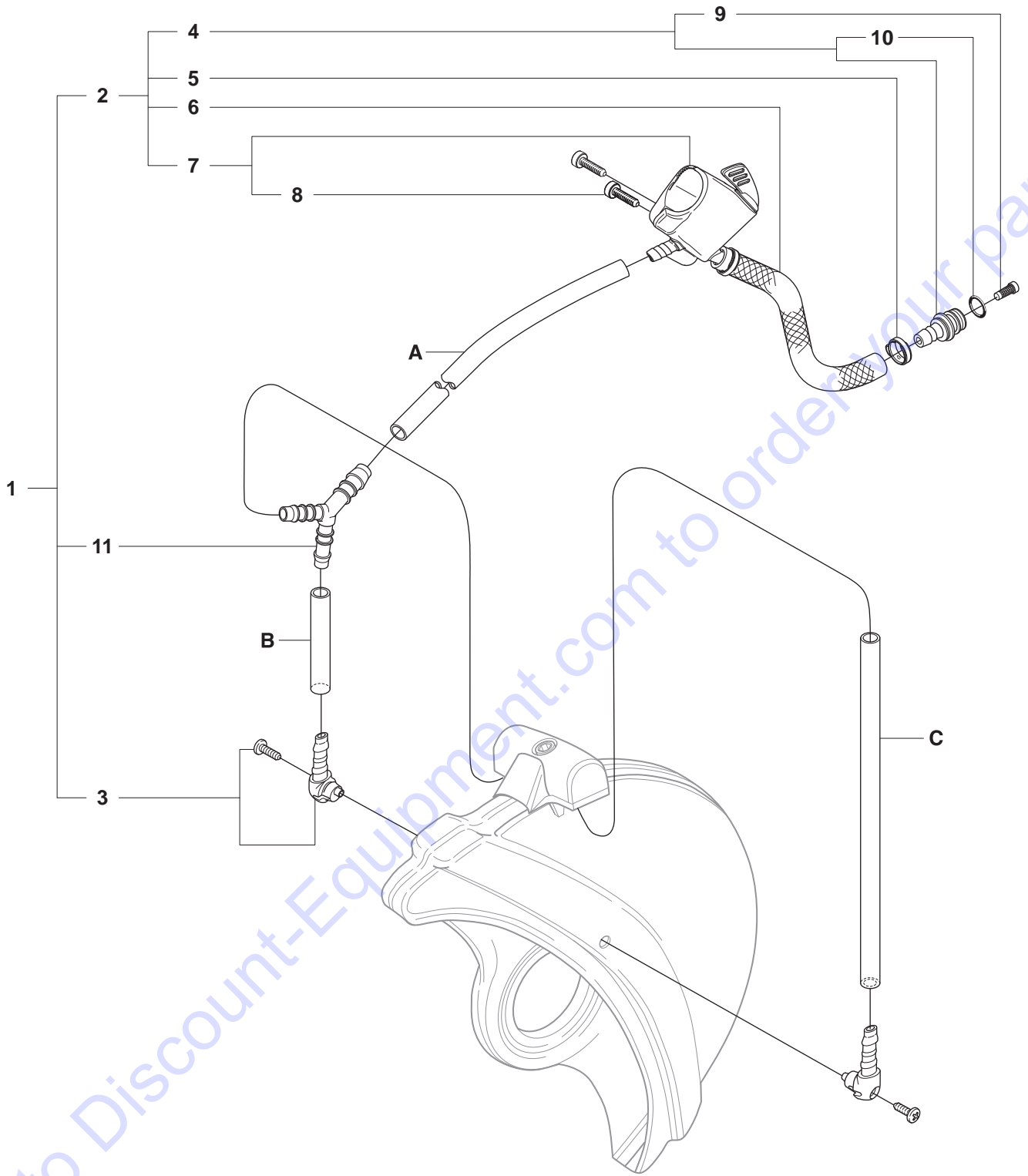
Go to Discount-Equipment.com for your parts

**Page E**  
**K2500**

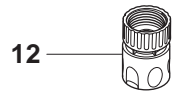
Pos.	Part No.	Description	Quantity	Notes
1	740 38 27-01	WASHER	2	
2	506 10 95-02	HYDRAULIC HOSE	2	
3	740 38 34-01	WASHER	2	
4	506 10 96-21	QUICK COUPLING FEMALE	1	
5	506 10 98-21	QUICK COUPLING MALE	1	

Go to Discount-Equipment.com to order your parts

**F** K2500



Product	A (mm)	B (mm)	C (mm)
K2500	16"	270	45

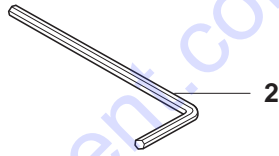
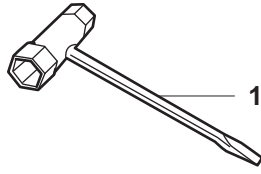


**Page F**  
**K2500**

Pos.	Part No.	Description	Quantity	Notes
1	544 00 31-03	WATER HOSE KIT	1	Incl. 2, 3, 11
2	506 38 59-04	HOSE	1	Incl. 4, 5, 6, 7
3	506 29 56-01	NIPPLE	2	
4	506 29 57-02	NIPPLE	1	Incl. 9
5	506 09 56-02	HOSE CLAMP	2	
6	506 09 75-02	HOSE	1	L=230mm
7	506 31 77-31	VALVE ASSY	1	Incl. 8
8	503 21 06-19	SCREW	2	
9	506 29 88-01	FILTER	1	
10	503 26 30-21	O-RING	1	
11	506 32 87-01	Y-TUBE	1	
12	503 26 60-02	COUPLER	1	

Go to [Discount-Equipment.com](http://Discount-Equipment.com) to order your parts

**G** K2500  
Accessories  
Zubehöre  
Accessoires  
Acessorios  
Tillbehör



Go to Discount-Equipment.com to order your parts



**Page G**  
**K2500**

<b>Pos.</b>	<b>Part No.</b>	<b>Description</b>	<b>Quantity</b>	<b>Notes</b>
1	501 69 17-02	COMBINATION TOOL	1	
2	502 21 58-01	L-NYCKEL	1	

Go to [Discount-Equipment.com](http://Discount-Equipment.com) to order your parts

# PARTS FINDER

**Search Website  
by Part Number**



**Search Manual  
Library For Parts  
Manual & Lookup Part  
Numbers – Purchase  
or Request Quote**

**Search Manuals**

Enter your information to help us find the right parts manual for your machine.

\* Brand:

\* Model:

\* Serial:

\* Part Number:

SEARCH

**Can't Find Part or  
Manual? Request Help  
by Manufacturer,  
Model & Description**

**Parts Order Form**

Please fill in the following information to help us find the right part for your machine.

Manufacturer:	<input type="text"/>
Model:	<input type="text"/>
Description:	<input type="text"/>
Part Number:	<input type="text"/>
Quantity:	<input type="text"/>
Notes:	<input type="text"/>

Discount-Equipment.com is your online resource for quality parts & equipment.

Florida: **561-964-4949** Outside Florida TOLL FREE: **877-690-3101**

**Need parts?**

Click on this link: <http://www.discount-equipment.com/category/5443-parts/> and choose one of the options to help get the right parts and equipment you are looking for. Please have the machine model and serial number available in order to help us get you the correct parts. If you don't find the part on the website or on one of the online manuals, please fill out the request form and one of our experienced staff members will get back to you with a quote for the right part that your machine needs.

We sell worldwide for the brands: Genie, Terex, JLG, MultiQuip, Mikasa, Essick, Whiteman, Mayco, Toro Stone, Diamond Products, Generac Magnum, Airman, Haulotte, Barreto, Power Blanket, Nifty Lift, Atlas Copco, Chicago Pneumatic, Allmand, Miller Curber, Skyjack, Lull, Skytrak, Tsurumi, Husquvarna Target, Stow, Wacker, Sakai, Mi-T-M, Sullair, Basic, Dynapac, MBW, Weber, Bartell, Bennar Newman, Haulotte, Ditch Runner, Menegotti, Morrison, Contec, Buddy, Crown, Edco, Wyco, Bomag, Laymor, EZ Trench, Bil-Jax, F.S. Curtis, Gehl Pavers, Heli, Honda, ICS/PowerGrit, IHI, Partner, Imer, Clipper, MMD, Koshin, Rice, CH&E, General Equipment, Amida, Coleman, NAC, Gradall, Square Shooter, Kent, Stanley, Tamco, Toku, Hatz, Kohler, Robin, Wisconsin, Northrock, Oztec, Toker TK, Rol-Air, APT, Wylie, Ingersoll Rand / Doosan, Innovatech, Con X, Ammann, Mecalac, Makinex, Smith Surface Prep, Small Line, Wanco, Yanmar