



SPARE PARTS LIST

POWER CUTTERS

K2500, 2010-10

Go to Discount-Equipment.com to order your parts



PARTS FINDER

**Search Website
by Part Number**



**Search Manual
Library For Parts
Manual & Lookup Part
Numbers – Purchase
or Request Quote**

Search Manuals

Enter your information to help us find the right parts manual for your machine.

* Brand:

* Model:

* Serial:

* Part Number:

SEARCH

**Can't Find Part or
Manual? Request Help
by Manufacturer,
Model & Description**

Parts Order Form

Please fill in the following information to help us find the right part for your machine.

Manufacturer:	<input type="text"/>
Model:	<input type="text"/>
Description:	<input type="text"/>
Part Number:	<input type="text"/>
Quantity:	<input type="text"/>
Notes:	<input type="text"/>

Discount-Equipment.com is your online resource for quality parts & equipment.

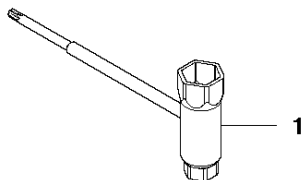
Florida: **561-964-4949** Outside Florida TOLL FREE: **877-690-3101**

Need parts?

Click on this link: <http://www.discount-equipment.com/category/5443-parts/> and choose one of the options to help get the right parts and equipment you are looking for. Please have the machine model and serial number available in order to help us get you the correct parts. If you don't find the part on the website or on one of the online manuals, please fill out the request form and one of our experienced staff members will get back to you with a quote for the right part that your machine needs.

We sell worldwide for the brands: Genie, Terex, JLG, MultiQuip, Mikasa, Essick, Whiteman, Mayco, Toro Stone, Diamond Products, Generac Magnum, Airman, Haulotte, Barreto, Power Blanket, Nifty Lift, Atlas Copco, Chicago Pneumatic, Allmand, Miller Curber, Skyjack, Lull, Skytrak, Tsurumi, Husquvarna Target, Stow, Wacker, Sakai, Mi-T-M, Sullair, Basic, Dynapac, MBW, Weber, Bartell, Bennar Newman, Haulotte, Ditch Runner, Menegotti, Morrison, Contec, Buddy, Crown, Edco, Wyco, Bomag, Laymor, EZ Trench, Bil-Jax, F.S. Curtis, Gehl Pavers, Heli, Honda, ICS/PowerGrit, IHI, Partner, Imer, Clipper, MMD, Koshin, Rice, CH&E, General Equipment, Amida, Coleman, NAC, Gradall, Square Shooter, Kent, Stanley, Tamco, Toku, Hatz, Kohler, Robin, Wisconsin, Northrock, Oztec, Toker TK, Rol-Air, APT, Wylie, Ingersoll Rand / Doosan, Innovatech, Con X, Ammann, Mecalac, Makinex, Smith Surface Prep, Small Line, Wanco, Yanmar

G K2500
Accessories
Zubehöre
Accessoires
Acessorios
Tillbehör

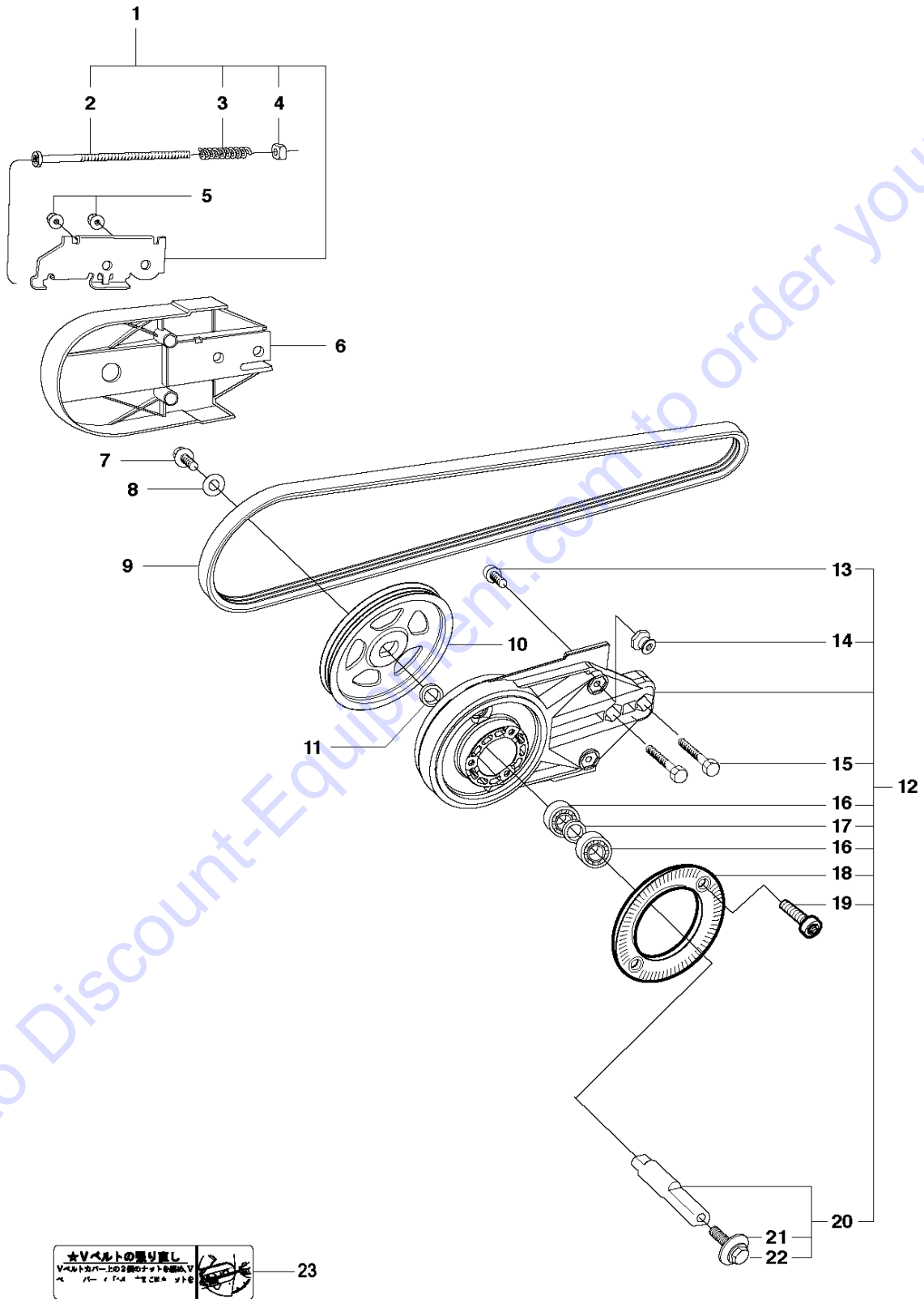


Go to Discount-Equipment.com to order your parts

Ref	Part no.	Description	Remark	Qty	Kit
1	506 38 26-01	COMBINATION TOOL			

Go to Discount-Equipment.com to order your parts

A K2500



BELT GUARD & PULLEY

K2500, 2010-10

Ref	Part no.	Description	Remark	Qty	Kit
1	506 03 06-03	BELT TENSIONER ASSY	Incl. 2 - 4 (New Part)	1	
2	503 20 72-20	SCREW CITXSCM	New Part	1	
3	506 21 95-01	COMPRESSION SPRING		1	
4	503 22 66-01	SQUARE NUT		1	
5	503 22 00-01	HEXAGON NUT FLANGE		2	
6	506 09 87-02	BELT GUARD		1	
7	503 20 00-45	SCREW EHHFM		1	
8	503 23 01-16	WASHER		1	
9	544 97 63-03	BELT		1	
10	544 98 50-01	PULLEY		1	
11	503 23 01-04	WASHER		1	
12	506 41 34-04	BEARING HOUSING ASSY	Incl. 13 - 20 (New Part)	1	
13	505 57 41-16	SCREW ITXSCM	New Part	1	
14	506 14 32-01	TORSION STOP	New Part	1	
15	506 03 32-02	SCREW		2	
16	503 25 21-01	BALL BEARING		2	
17	506 20 18-01	SPACING SLEEVE		1	
18	506 28 84-01	SCREEN PATTERN FLANG		1	
19	503 21 53-10	SCREW ITXSCM	New Part	2	
20	506 29 83-71	SHAFT	Incl. 21 - 22	1	
21	506 13 95-11	WASHER		1	
22	506 13 96-01	SCREW EHHFM		1	
23	506 30 97-05	LABEL	Japan only (New Part)	1	

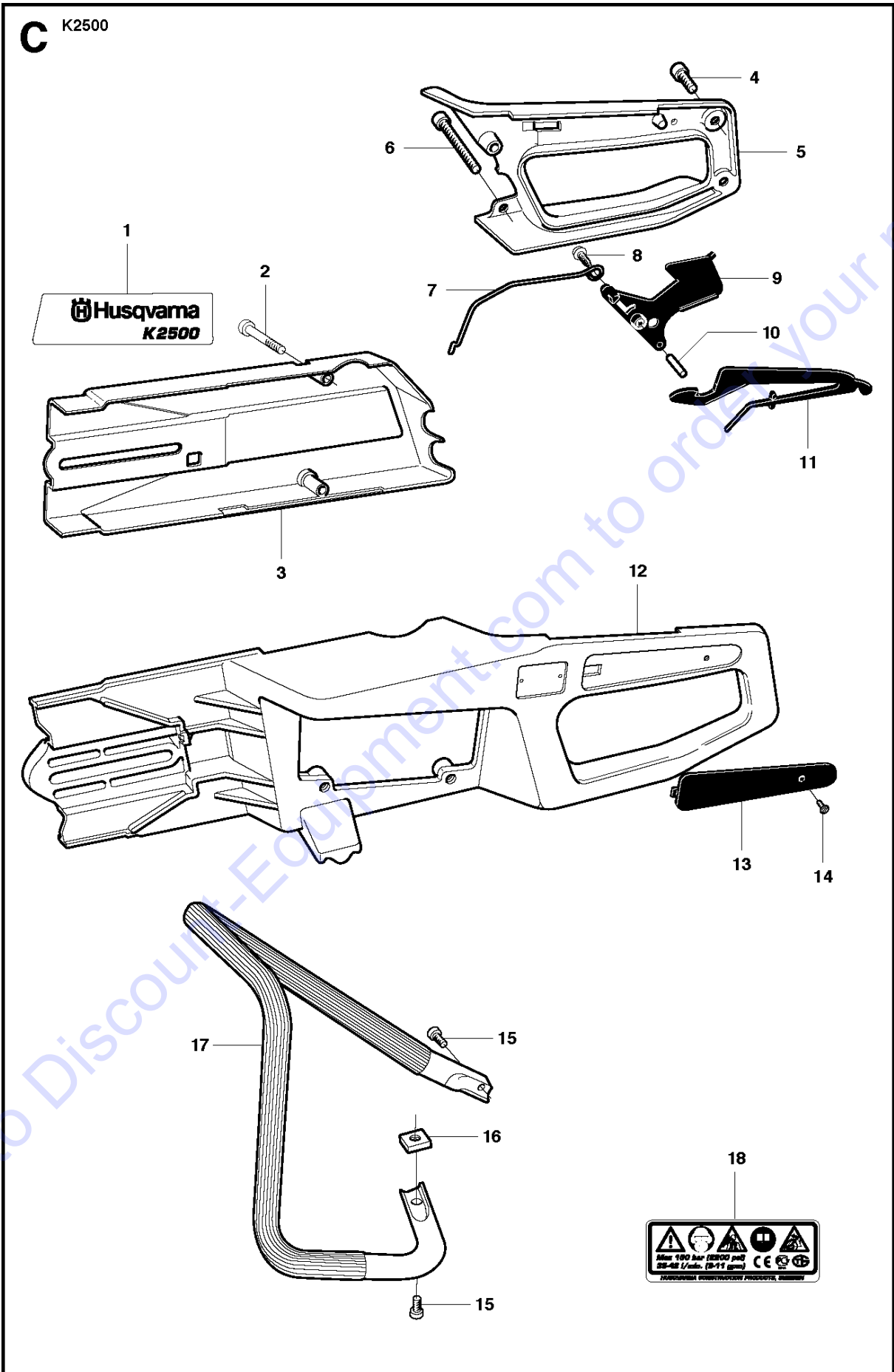
Go to Discount-Equipment.com to order your parts

BELT GUARD & PULLEY

K2500, 2010-10

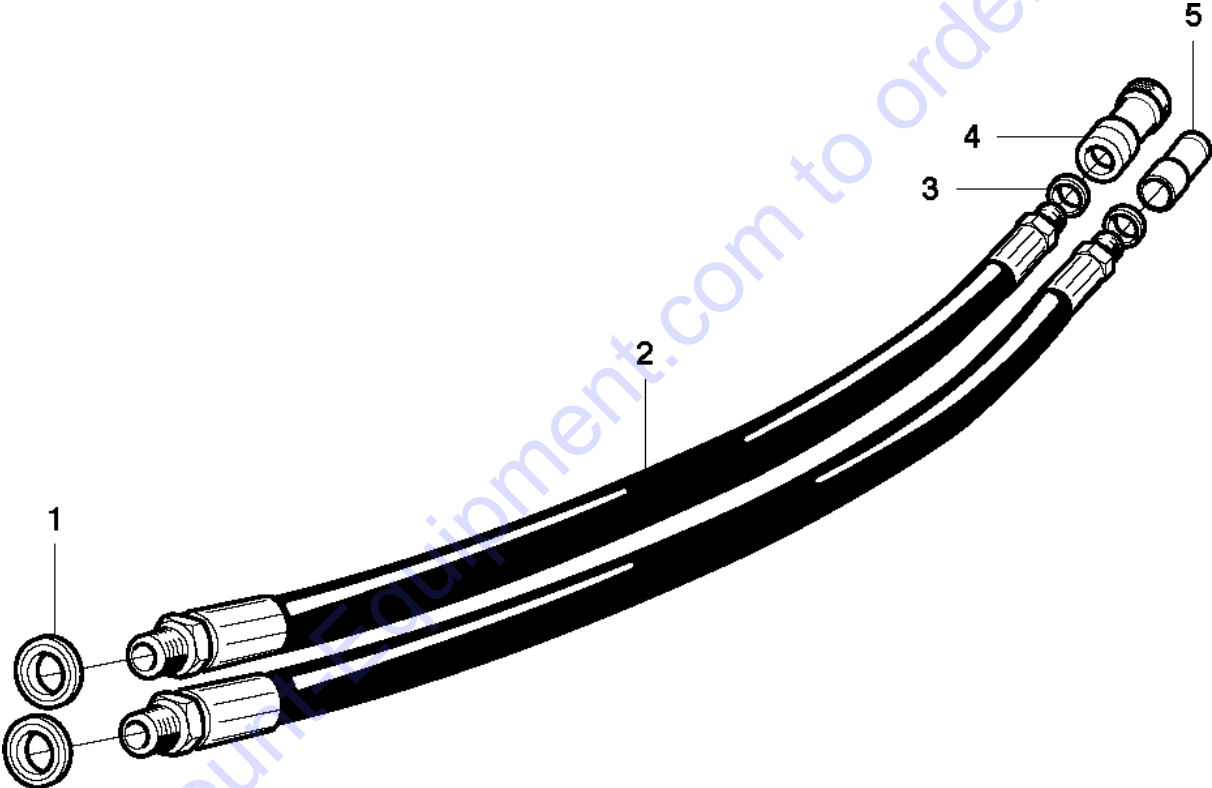
Ref	Part no.	Description	Remark	Qty	Kit
1	506 34 05-46	WHEEL GUARD ASSY	Incl. 2 - 4	1	
2	503 21 53-20	SCREW ITXSCM		1	
3	506 34 46-02	HANDLE		1	
4	506 26 63-02	LINING		1	
5	506 26 64-01	SCREEN PATTERN FLANG		1	
6	506 26 65-01	FLANGE		1	
7	505 57 41-16	SCREW ITXSCM	New Part	3	
8	506 32 48-01	SUPPORT FLANGE		1	
9	506 02 87-01	FLANGE WASHER	Diam 105mm	1	
9	506 07 09-01	FLANGE WASHER	Diam 119mm	1	
10	506 37 96-20	KIT	Diam 20mm	1	
10	506 37 96-22	KIT	Diam 22,2mm	1	
10	506 37 96-25	KIT	Diam 25,4mm	1	
10	506 02 88-30	BUSHING	Diam 30,5mm	1	
11	506 28 41-22	LABEL	Diam 20mm	1	
11	506 28 41-24	LABEL	Diam 25,4mm	1	
12	576 12 10-03	DECAL	"16"" , Japan only (New Part)"	1	

Go to Discount-Equipment.com to order your parts



Ref	Part no.	Description	Remark	Qty	Kit
1	544 87 27-01	LABEL		1	
2	503 21 53-41	SCREW ITXSCM	New Part	2	
3	506 20 28-02	BELT GUARD		1	
4	505 57 41-16	SCREW ITXSCM	New Part	2	
5	506 20 16-02	HANDLE HALF		1	
6	503 21 53-49	SCREW ITXSCM	New Part	1	
7	506 20 33-02	THROTTLE ROD		1	
8	503 21 28-10	SCREW CCRPANT		1	
9	506 20 34-03	THROTTLE TRIGGER		1	
10	720 13 10-00	PARALLEL PIN		1	
11	506 01 45-06	THROTTLE LOCKOUT		1	
12	506 20 36-02	CHASSIS		1	
13	501 62 89-09	HANDLE INSERT		2	
14	724 32 19-05	SCREW		2	
15	503 21 53-16	SCREW ITXSCM	New Part	2	
16	503 22 65-04	SQUARE NUT		1	
17	506 20 29-03	FRONT HANDLE		1	
18	544 87 32-01	DECAL	New Part	1	

Go to Discount-Equipment.com to order your parts



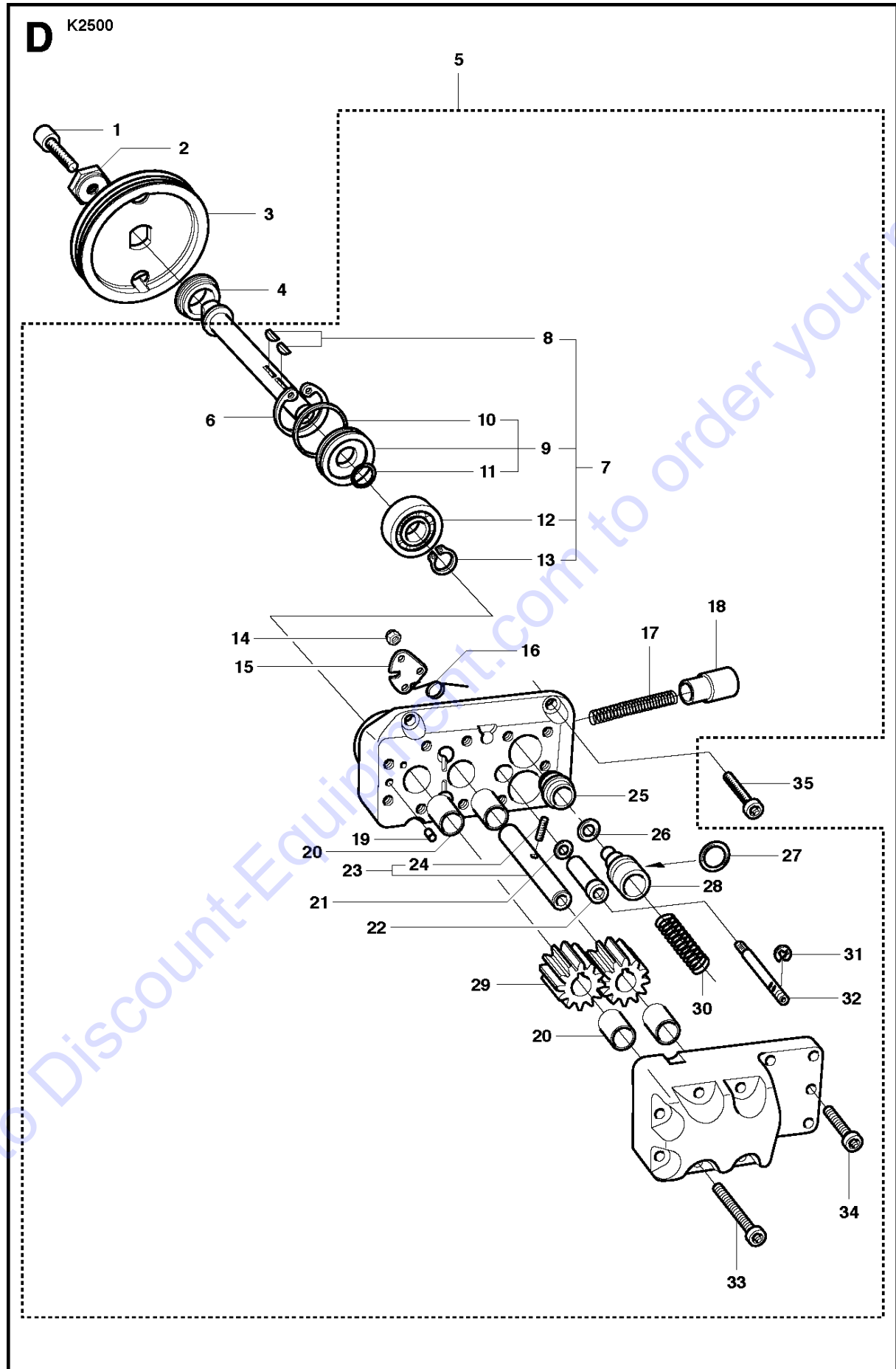
Go to Discount Equipment.com to order your parts

HOSE

K2500, 2010-10

Ref	Part no.	Description	Remark	Qty	Kit
1	740 38 27-01	SEALING WASHER		2	
2	506 10 95-02	HYDRAULIC HOSE		2	
3	740 38 34-01	SEALING WASHER		2	
4	506 10 96-21	QUICK COUPLING		1	
5	506 10 98-21	QUICK COUPLING		1	

Go to Discount-Equipment.com to order your parts



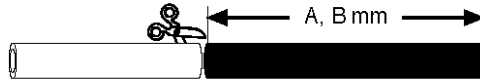
HYDRAULIC PUMP - MOTOR

K2500, 2010-10

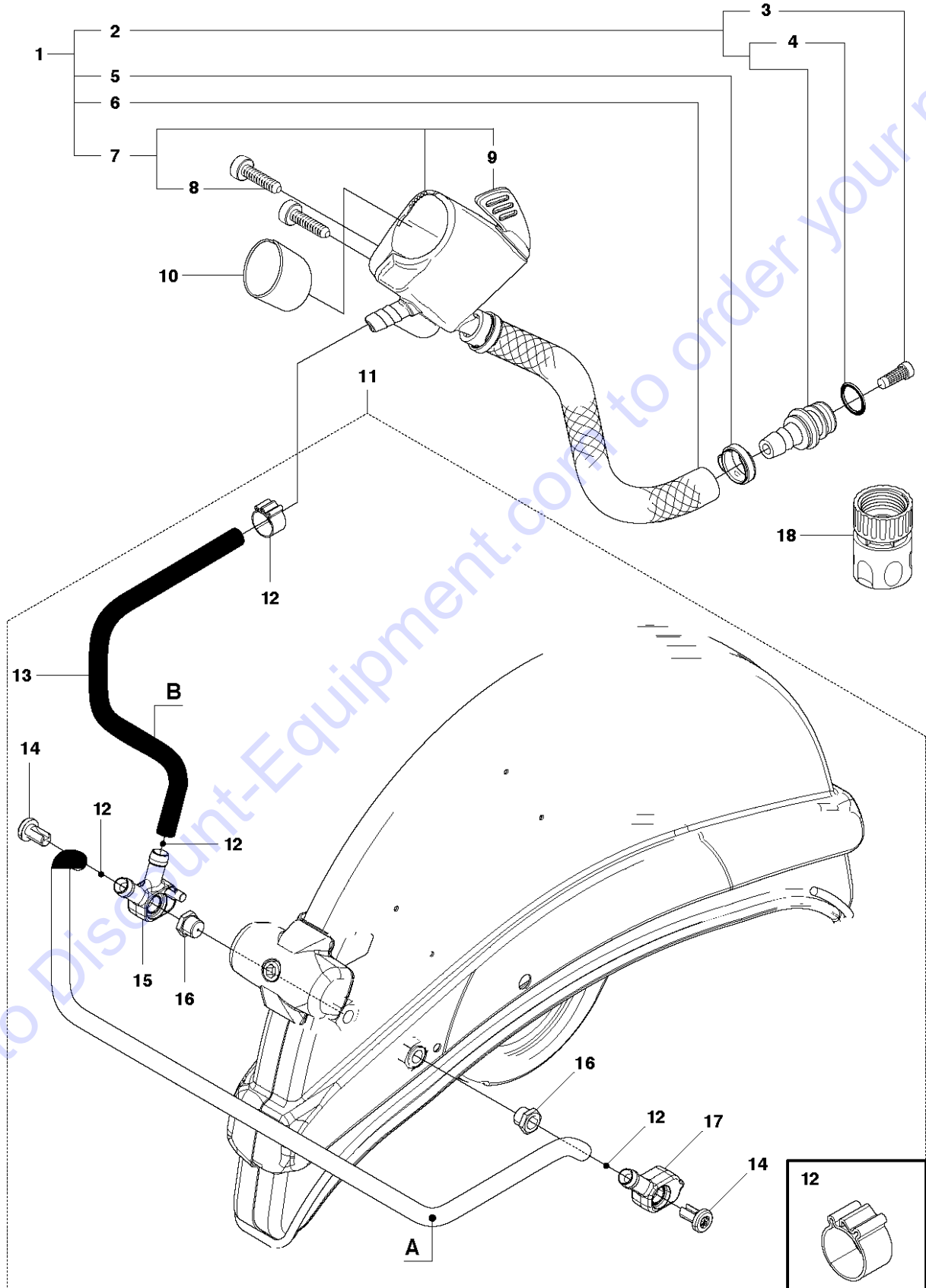
Ref	Part no.	Description	Remark	Qty	Kit
1	544 21 84-30	SCREW ITXSCM	New Part	1	
2	504 03 83-01	SPACING SLEEVE	New Part	1	
3	544 98 09-01	PULLEY		1	
4	506 20 27-02	SUPPORT FLANGE		1	
5	544 88 66-12	HYDRAULIC MOTOR		1	
6	735 31 31-10	CIRCLIP		1	5
7	506 34 67-15	KIT		1	5
8	735 88 06-00	WOODRUFF KEY		2	5, 7
9	506 30 11-14	SEALING		1	5, 7
10	506 11 03-01	O-RING		1	5, 7, 9
11	503 26 30-28	O-RING		1	5, 7, 9
12	738 22 01-25	BALL BEARING		1	5, 7
13	735 31 14-00	CIRCLIP		1	5, 7
14	732 25 12-01	HEXAGON LOCKING NUT		1	5
15	506 20 31-01	LEVER		1	5
16	506 20 38-01	SPRING		1	5
17	506 21 83-01	SPRING		1	5
18	506 21 82-01	PLUNGE		1	5
19	501 27 08-01	GUIDE BUSHING		1	5
20	506 11 05-01	BEARING		4	5
21	740 43 02-00	O-RING		1	5
22	506 21 60-01	VALVE SLEEVE		1	5
23	506 32 00-02	SHAFT		1	5
24	503 24 07-01	PARALLEL PIN		1	5, 23
25	506 21 85-01	VALVE SEAT		1	5
26	740 42 03-00	O-RING		1	5
27	740 43 11-00	O-RING		1	5
28	506 21 80-01	VALVE CONE		1	5
29	506 22 96-09	GEAR WHEEL		2	5
30	506 21 81-01	SPRING		1	5
31	735 31 08-20	E-CLIP		1	5
32	506 21 59-01	VALVE SPINDLE		1	5
33	503 21 53-45	SCREW ITXSCM	New Part	6	5
34	503 21 53-21	SCREW ITXSCM	New Part	5	5
35	503 21 53-20	SCREW ITXSCM	New Part	4	

Go to Discount-Equipment.com to order your parts

F K2500



	A (mm)	B (mm)
K2500	230	320



WATER HOSE KIT

K2500, 2010-10

Ref	Part no.	Description	Remark	Qty	Kit
1	505 09 55-01	HOSE KIT		1	
2	506 29 57-02	NIPPLE	Incl. 2, 5 - 7 (New Part)	1	
3	506 29 88-01	FILTER	Incl. 3, 4	1	
4	505 10 35-01	O-RING		1	
5	506 49 87-02	HOSE CLAMP		2	
6	506 60 75-01	HOSE		1	
7	506 38 60-12	VALVE ASSY	Incl. 8	1	
8	503 21 54-20	SCREW ITXSCT	New Part	2	
9	505 52 42-01	VALVE SPINDLE	New Part	1	
10	544 92 68-01	INTERLAYER	New Part	1	
11	505 09 54-01	HOSE KIT	Incl. 11 - 16	1	
12	506 49 87-01	HOSE CLAMP		4	
13	506 60 68-06	HOSE	620 mm	1	
14	504 63 46-01	SCREW ITXSCM		2	
15	504 63 44-01	HOUSING		1	
16	504 63 42-01	NIPPLE		2	
17	504 63 45-01	HOUSING		1	
18	503 26 60-03	COUPLER	1 USA, Canada	1	
18	503 26 60-04	COUPLER		1	

Go to Discount-Equipment.com to order your parts

PARTS FINDER

**Search Website
by Part Number**



**Search Manual
Library For Parts
Manual & Lookup Part
Numbers – Purchase
or Request Quote**

Search Manuals

Enter your information to help us find the right parts manual for your machine.

* Brand:

* Model:

* Serial:

* Part Number:

SEARCH

**Can't Find Part or
Manual? Request Help
by Manufacturer,
Model & Description**

Parts Order Form

Please fill in the following information to help us find the right part for your machine.

Manufacturer:	<input type="text"/>
Model:	<input type="text"/>
Description:	<input type="text"/>
Part Number:	<input type="text"/>
Quantity:	<input type="text"/>
Notes:	<input type="text"/>

Submit

Discount-Equipment.com is your online resource for quality parts & equipment.

Florida: **561-964-4949** Outside Florida TOLL FREE: **877-690-3101**

Need parts?

Click on this link: <http://www.discount-equipment.com/category/5443-parts/> and choose one of the options to help get the right parts and equipment you are looking for. Please have the machine model and serial number available in order to help us get you the correct parts. If you don't find the part on the website or on one of the online manuals, please fill out the request form and one of our experienced staff members will get back to you with a quote for the right part that your machine needs.

We sell worldwide for the brands: Genie, Terex, JLG, MultiQuip, Mikasa, Essick, Whiteman, Mayco, Toro Stone, Diamond Products, Generac Magnum, Airman, Haulotte, Barreto, Power Blanket, Nifty Lift, Atlas Copco, Chicago Pneumatic, Allmand, Miller Curber, Skyjack, Lull, Skytrak, Tsurumi, Husquvarna Target, Stow, Wacker, Sakai, Mi-T-M, Sullair, Basic, Dynapac, MBW, Weber, Bartell, Bennar Newman, Haulotte, Ditch Runner, Menegotti, Morrison, Contec, Buddy, Crown, Edco, Wyco, Bomag, Laymor, EZ Trench, Bil-Jax, F.S. Curtis, Gehl Pavers, Heli, Honda, ICS/PowerGrit, IHI, Partner, Imer, Clipper, MMD, Koshin, Rice, CH&E, General Equipment, Amida, Coleman, NAC, Gradall, Square Shooter, Kent, Stanley, Tamco, Toku, Hatz, Kohler, Robin, Wisconsin, Northrock, Oztec, Toker TK, Rol-Air, APT, Wylie, Ingersoll Rand / Doosan, Innovatech, Con X, Ammann, Mecalac, Makinex, Smith Surface Prep, Small Line, Wanco, Yanmar